

**PLAN**

**LEGEND**

- PROPOSED BRIDGE
- RECONSTRUCTED PAVEMENT
- EXISTING PAVEMENT
- WATERCOURSE
- SIDEWALK

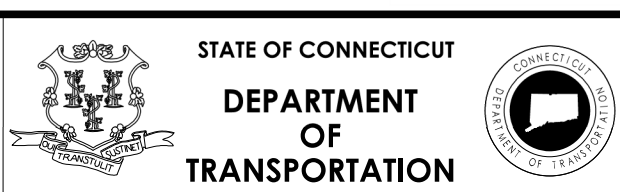
REV.	DATE	REVISION DESCRIPTION

REHABILITATION STUDY REPORT

SCALE AS NOTED

DESIGNER/DRAFTER: \_\_\_\_\_ CHECKED BY: \_\_\_\_\_

SIGNATURE/BLOCK: \_\_\_\_\_



PROJECT NUMBER: **SPN 0119-0121**

PROJECT DESCRIPTION: **WELLERS BRIDGE ROAD BRIDGE NO. 05068**

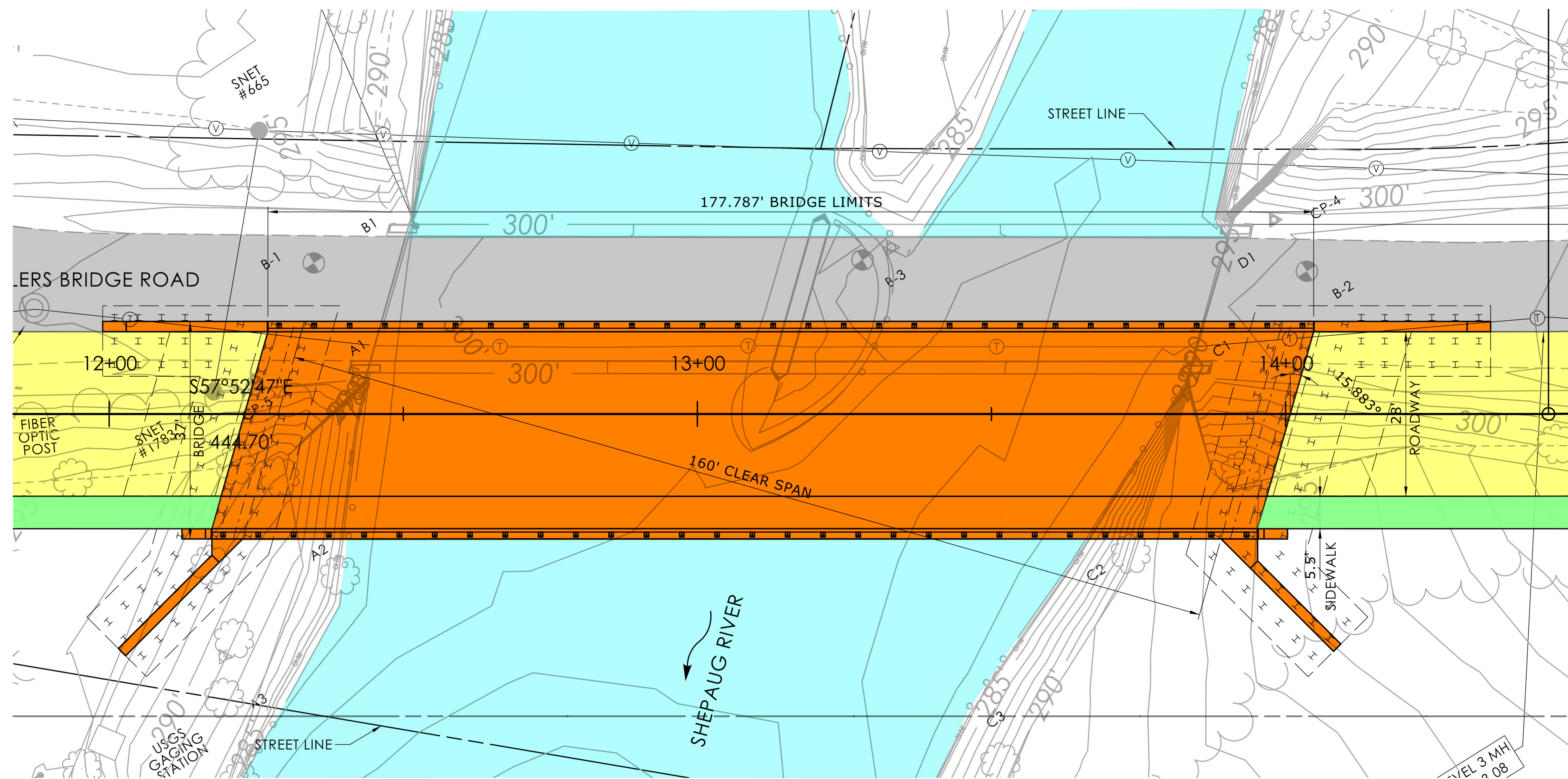
TOWN(S): **ROXBURY, CT**

DRAWING TITLE: **ROADWAY IMPROVEMENT PLAN**

DRAWING NO. **01**

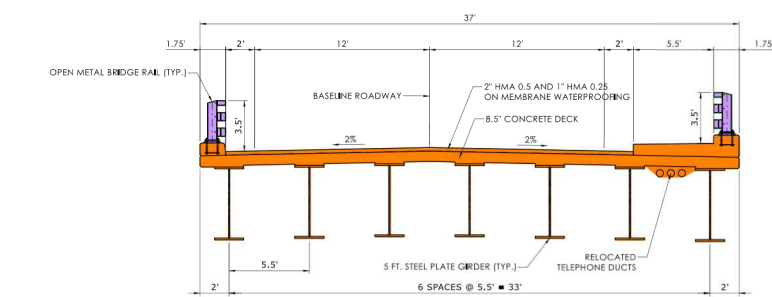
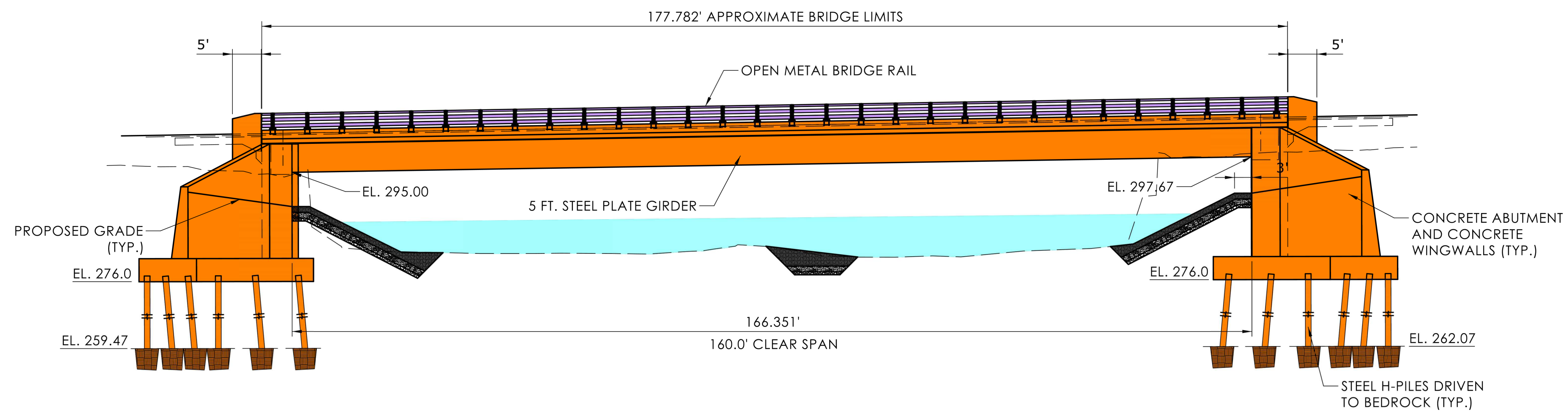
SHEET NO. \_\_\_\_\_





- LEGEND**
- PROPOSED BRIDGE
  - RECONSTRUCTED PAVEMENT
  - EXISTING PAVEMENT
  - WATERCOURSE
  - OPEN METAL BRIDGE RAIL
  - SIDEWALK

**PLAN**

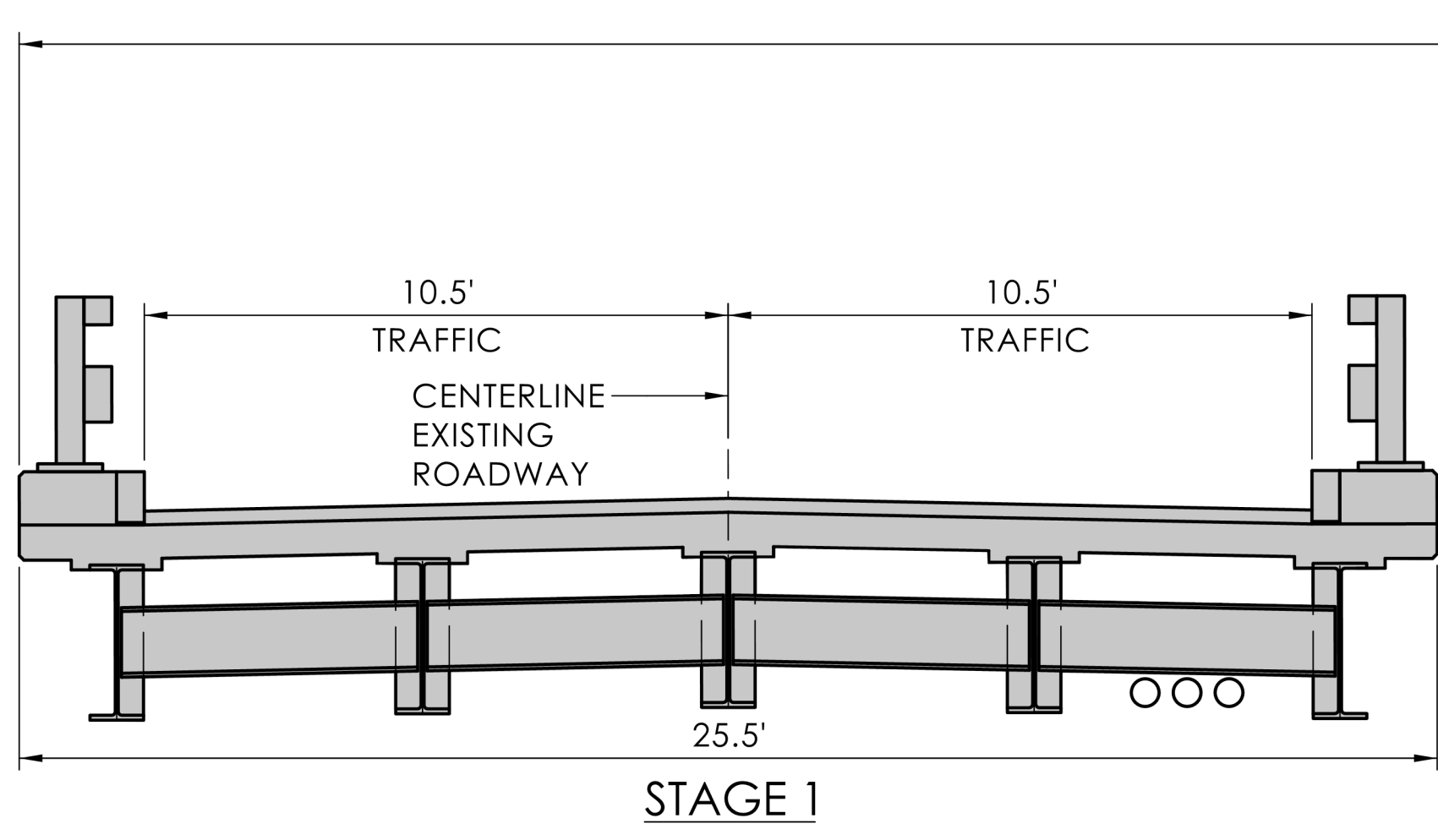
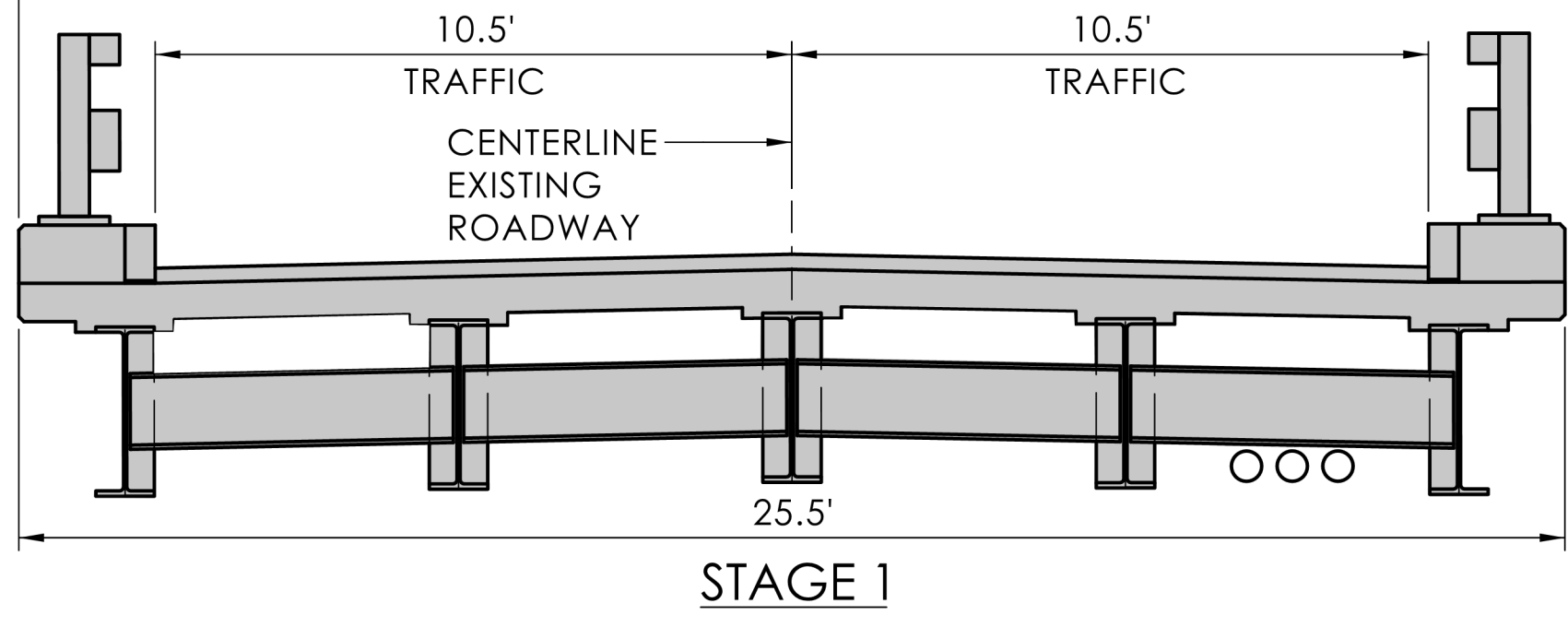


**ELEVATION**

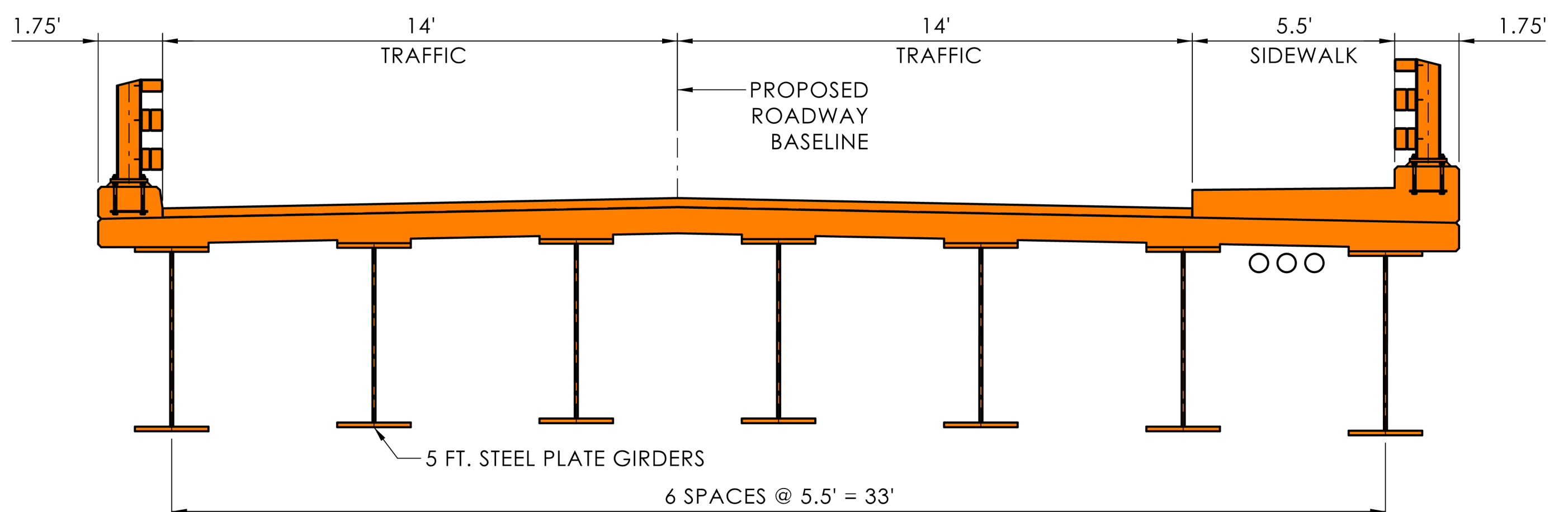
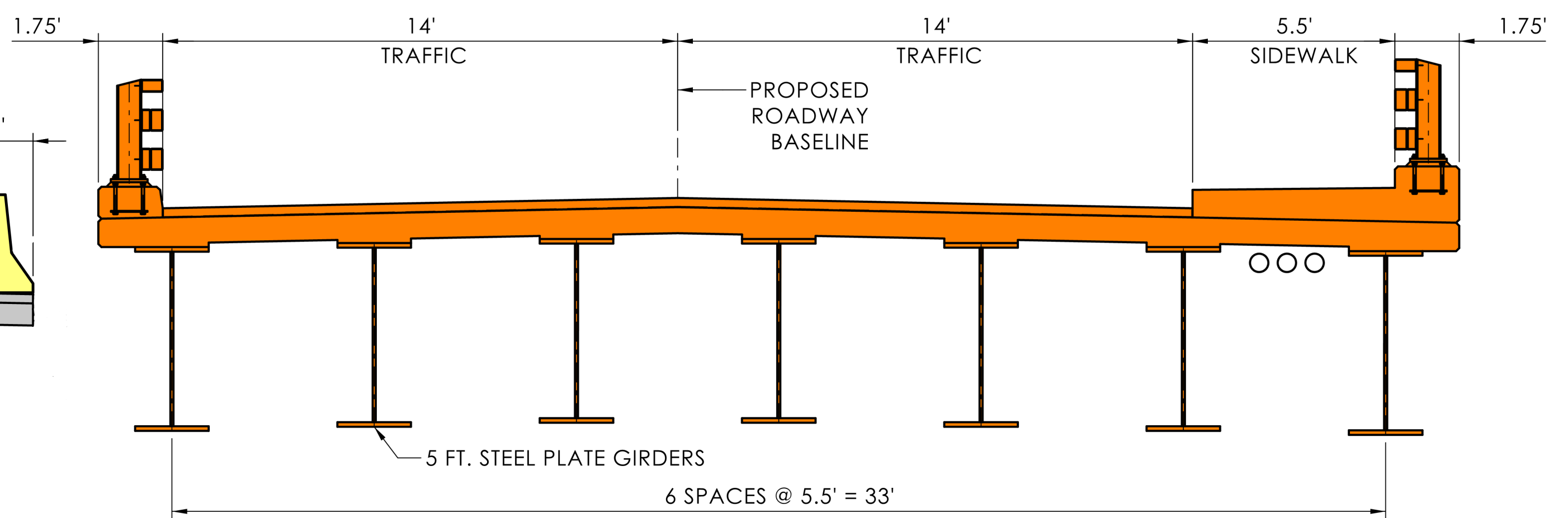
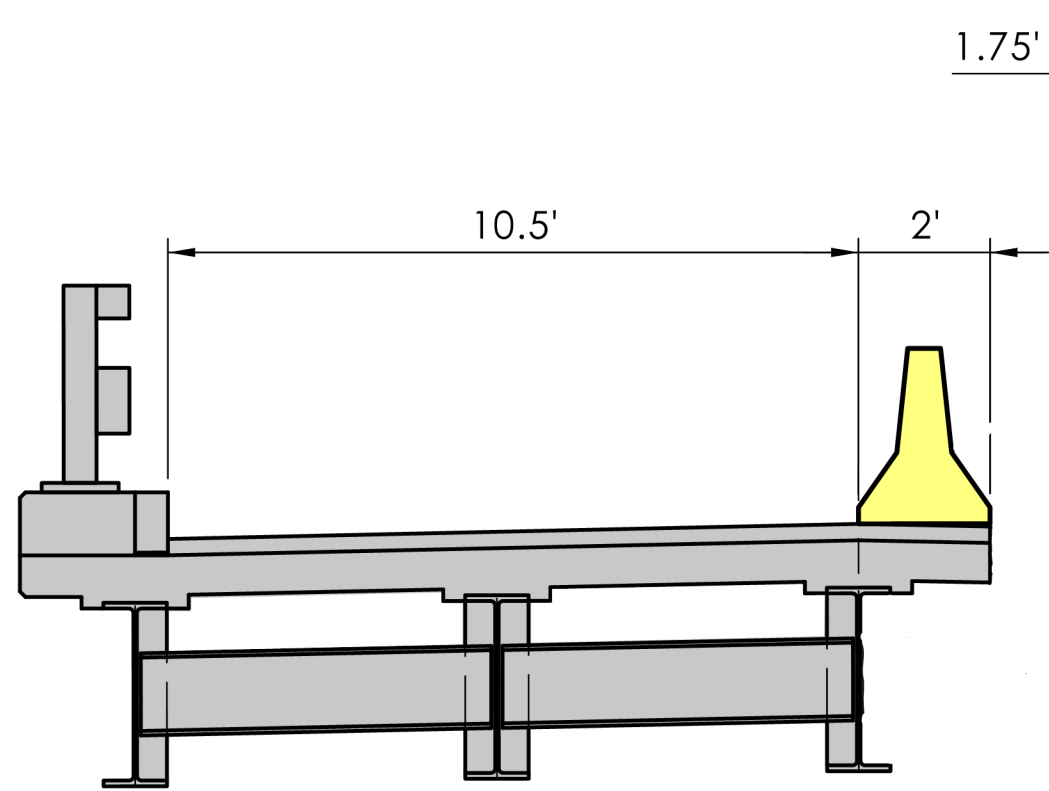
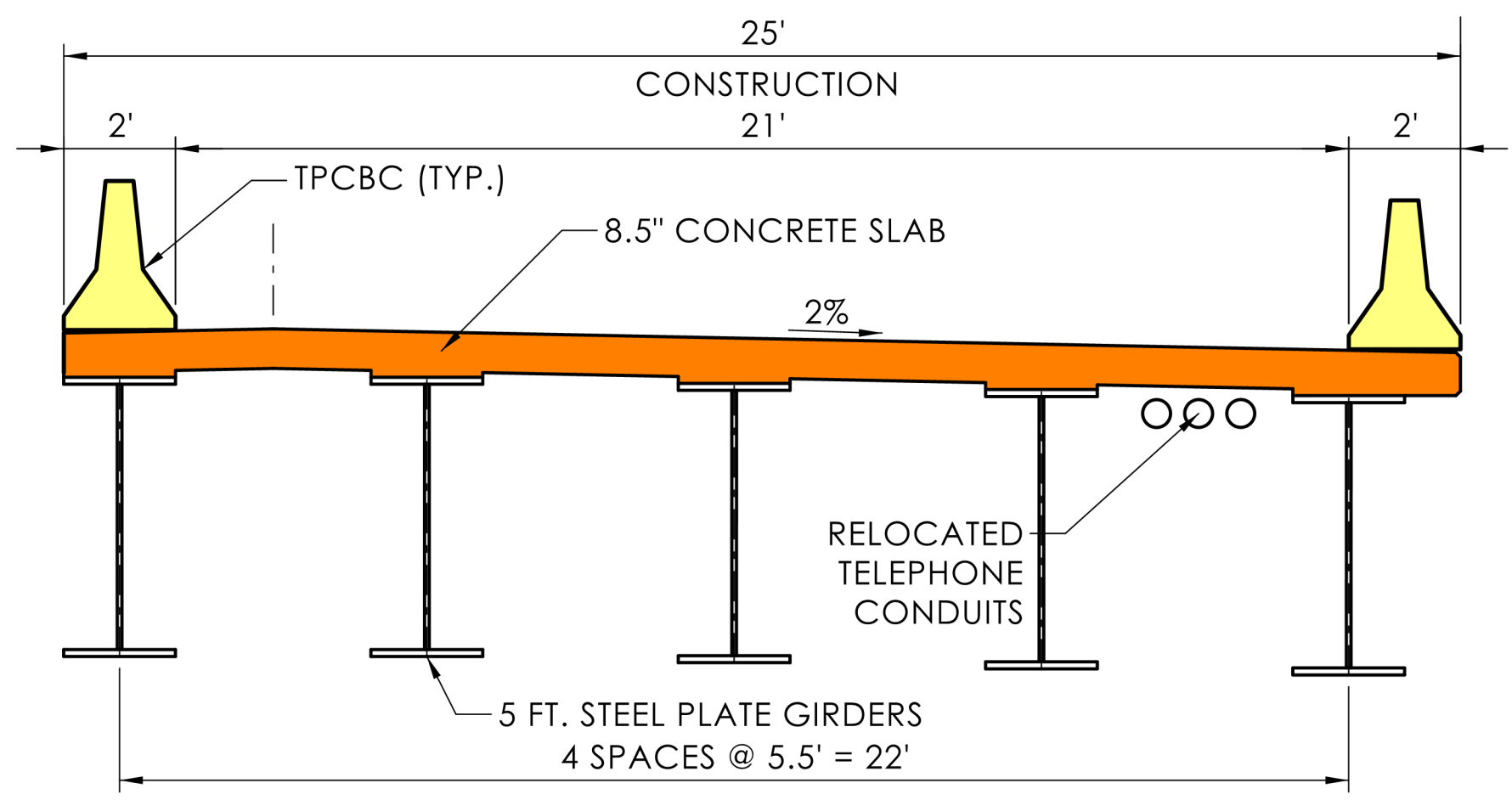
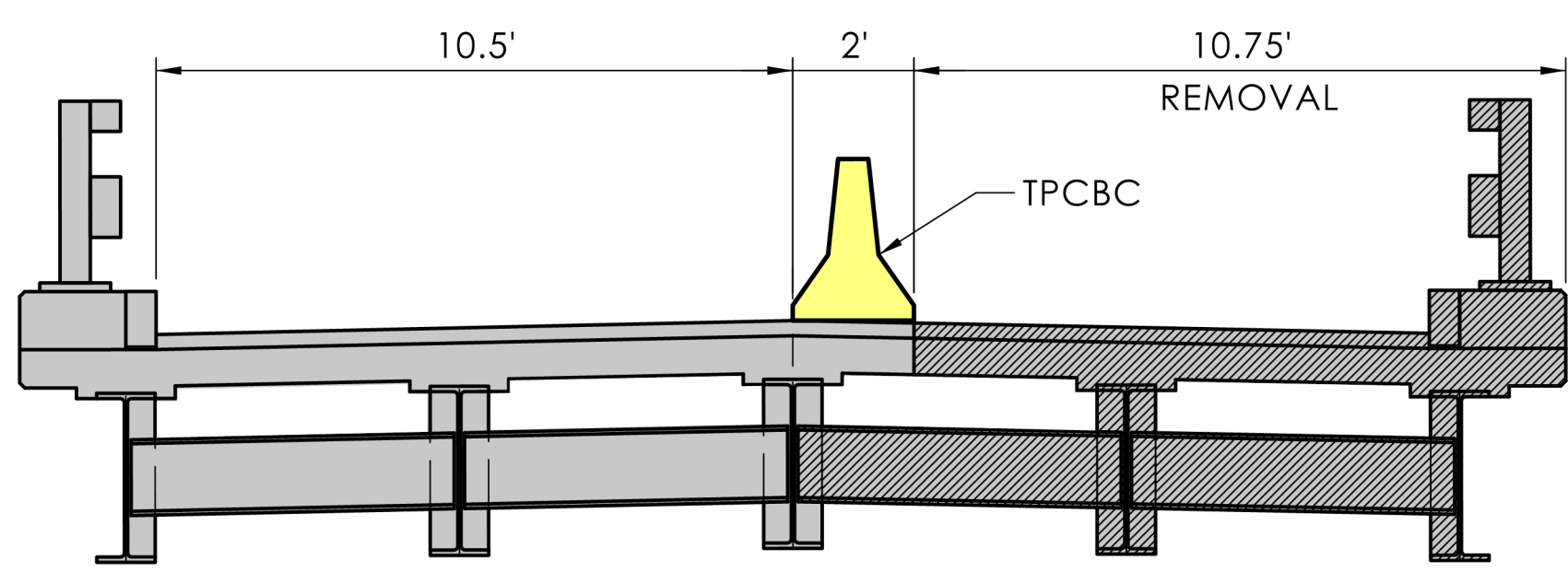
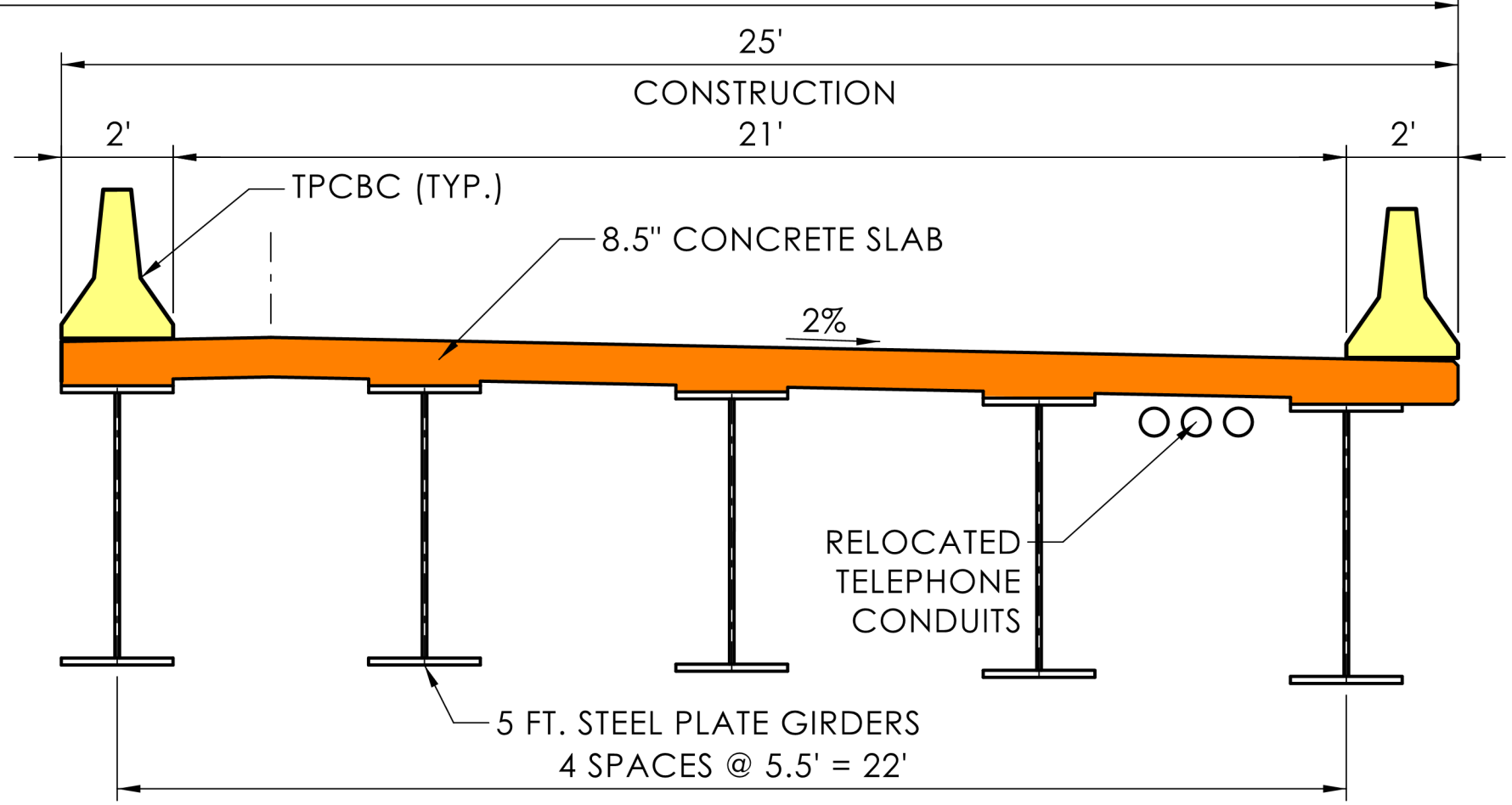
**TYPICAL SECTION**

REV.	DATE	REVISION DESCRIPTION





53.5'



SPN 0119-0121  
WELLERS BRIDGE ROAD BRIDGE NO. 05068  
ROXBURY, CT

PROJECT NUMBER:  
PROJECT DESCRIPTION:  
TOWNSHIP:  
DRAWING TITLE:



SIGNATURE/  
BLOCK:

SCALE AS NOTED

REHABILITATION STUDY REPORT  
DESIGNER/DRAFTER:  
CHECKED BY:

REV.	DATE	REVISION DESCRIPTION