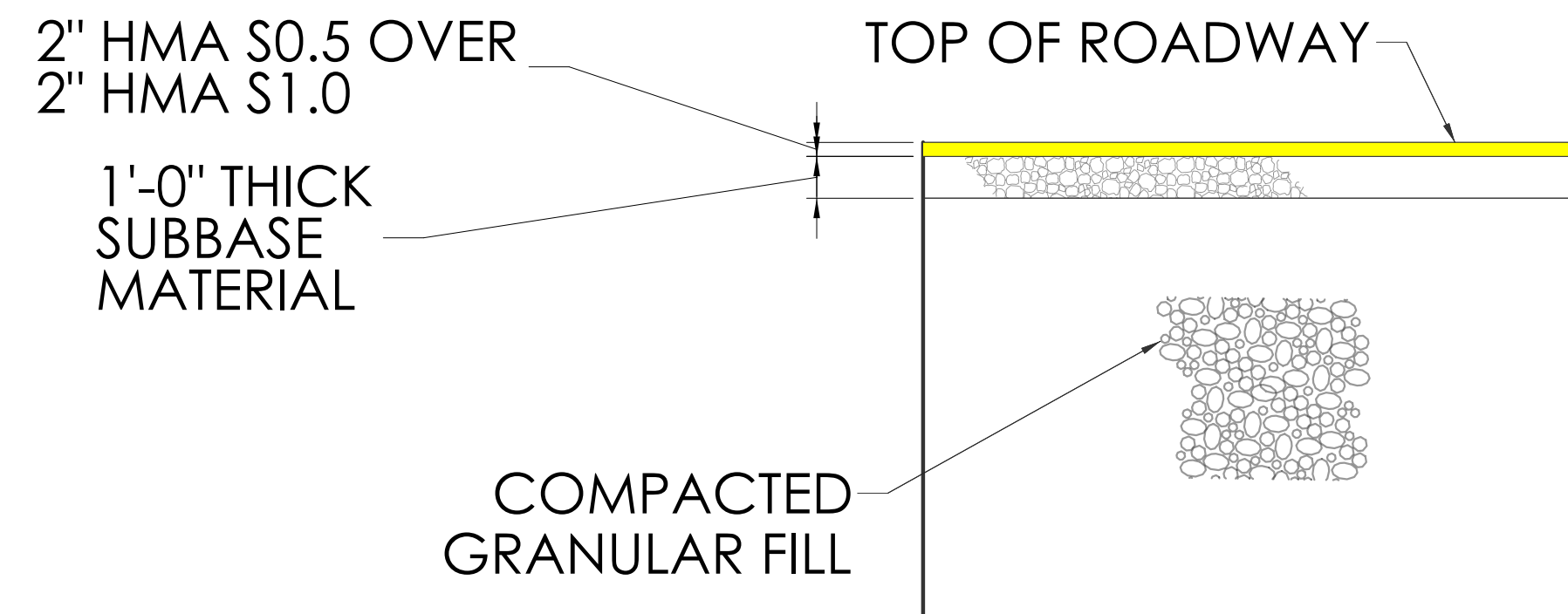


**EXISTING CROSS SECTION OF ARCHWAY CROSSING
LIMITS OF REMOVAL**

SCALE: 1/4" = 1'-0"



**PROPOSED CROSS SECTION OF
ARCHWAY CROSSING**

SCALE: 1/4" = 1'-0"

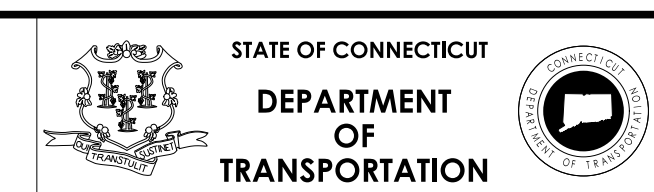
LEGEND:

- EXISTING CULVERT
- PROPOSED OVERLAY

REV.	DATE	REVISION DESCRIPTION

DESIGNER/DRAFTER:	CHECKED BY:

SIGNATURE/ BLOCK:



PROJECT NUMBER: 0134-0153
 PROJECT DESCRIPTION: CULVERT ABANDONMENT UNDER ROUTE 190
 TOWN(S): STAFFORD
 DRAWING TITLE: TYPICAL CULVERT SECTIONS

DRAWING NO. 000
SHEET NO.