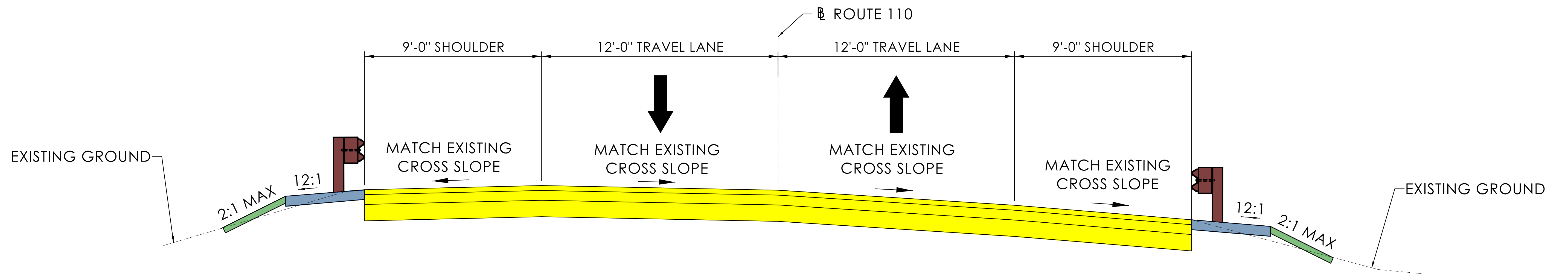


**BEGIN STATE PROJECT 0126-0179
LIMIT OF CONSTRUCTION
STA 4+00
MATCH EXISTING ROADWAY
N 664422.933
E 908039.050**

**END STATE PROJECT 0126-0179
LIMIT OF CONSTRUCTION
STA 11+00
MATCH EXISTING ROADWAY
N 665036.355
E 908367.182**

- LEGEND**
- PROPOSED PAVEMENT
 - PROPOSED STRUCTURE
 - PROPOSED FILL
 - PROPOSED DRIVEWAY
 - WATERCOURSE
 - EXISTING RIGHT-OF-WAY
 - TEMPORARY CONSTRUCTION EASEMENT

<table border="1" style="width: 100%; border-collapse: collapse;"> <tr><th>REV.</th><th>DATE</th><th>REVISION DESCRIPTION</th></tr> <tr><td> </td><td> </td><td> </td></tr> <tr><td> </td><td> </td><td> </td></tr> <tr><td> </td><td> </td><td> </td></tr> </table>	REV.	DATE	REVISION DESCRIPTION										<p>PUBLIC INFORMATION MEETING</p> <p>DESIGNER/DRAFTER: FI CHECKED BY: AMW</p> <p>LASTED SAVED BY: ADA016 FILE NAME: K:\CT_PROJECTS\0126-0179\VPIM\HW_CP_0126_0179_Roadway Plan.dgn PLOTTED DATE: 8/7/2023</p>	<p>0 40 80</p> <p>HORIZONTAL SCALE 1" = 40'</p>	<p>SIGNATURE/ BLOCK:</p>
REV.	DATE	REVISION DESCRIPTION													

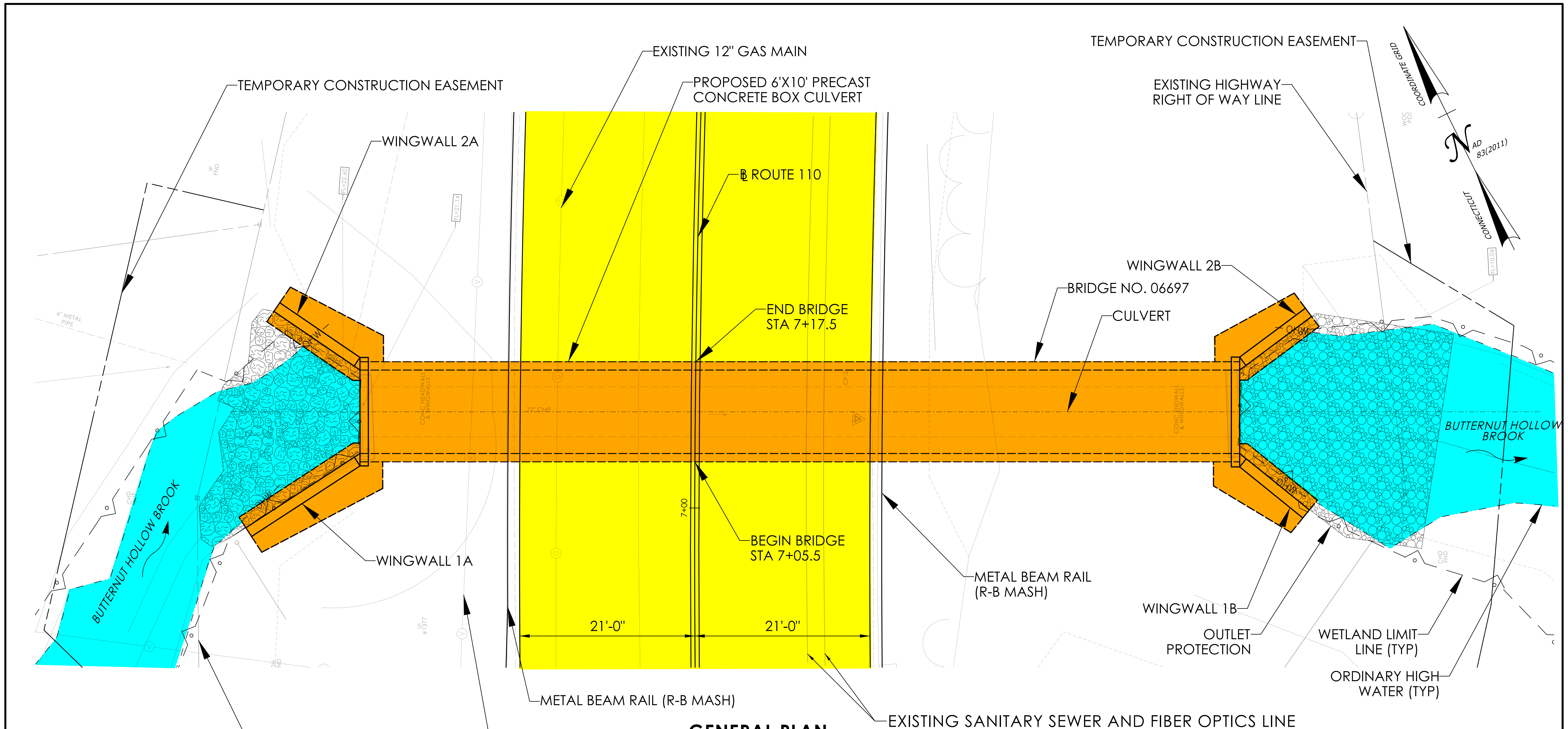


ROUTE 110
NOT TO SCALE

LEGEND

- PROPOSED BITUMINOUS PAVEMENT
- PROPOSED GUIDE RAIL
- PROPOSED TOPSOIL AND SEED
- PROPOSED GRANULAR FILL

REV.	DATE	REVISION DESCRIPTION



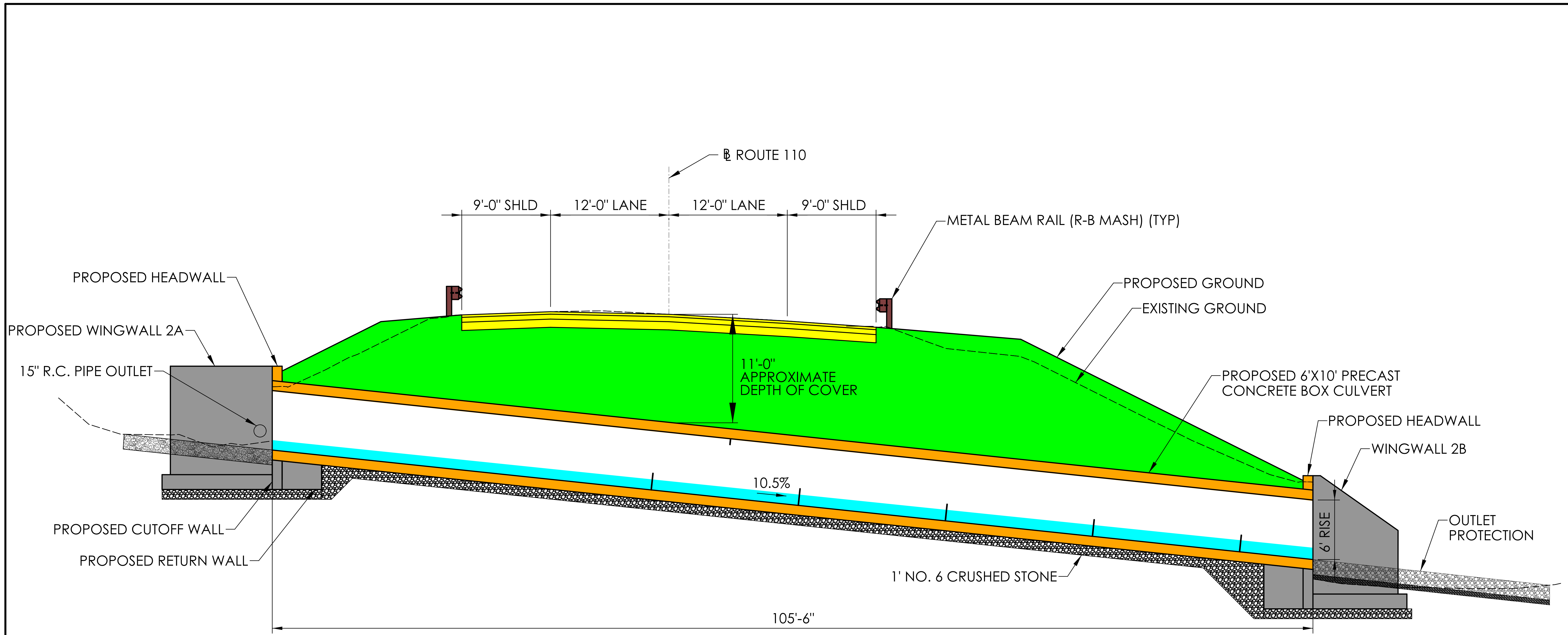
GENERAL PLAN

NOT TO SCALE

LEGEND

- PROPOSED PAVEMENT
- PROPOSED STRUCTURE
- WATERCOURSE

REV.	DATE	REVISION DESCRIPTION



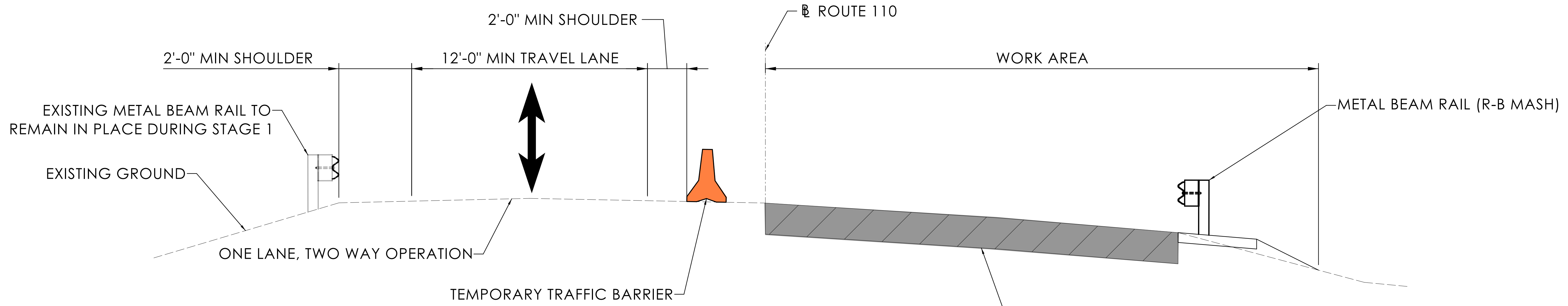
SECTION LOOKING NORTH (UP-STATION)

NOT TO SCALE

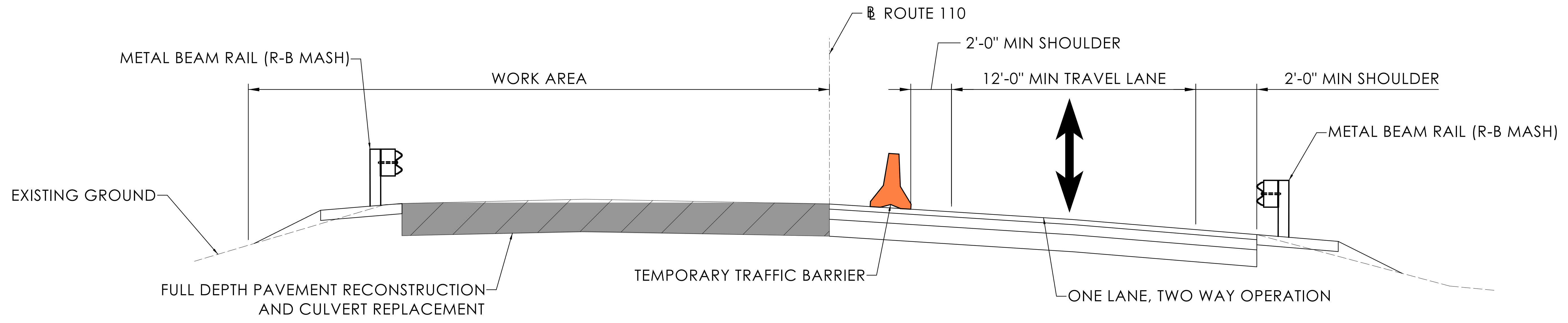
LEGEND

- PROPOSED PAVEMENT
- PROPOSED STRUCTURE
- WATERCOURSE
- FILL OVER CULVERT
- PROPOSED SUBSTRUCTURE
- PROPOSED METAL BEAM RAIL

REV.	DATE	REVISION DESCRIPTION



**ROUTE 110 STAGE 1
NOT TO SCALE
LOOKING NORTH (UP-STATION)**



**ROUTE 110 STAGE 2
NOT TO SCALE
LOOKING NORTH (UP-STATION)**

LEGEND

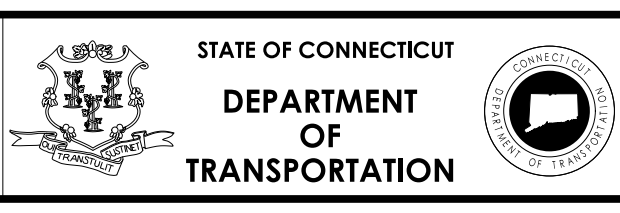
- PROPOSED BITUMINOUS PAVEMENT
- TEMPORARY TRAFFIC BARRIER

REV.	DATE	REVISION DESCRIPTION

PUBLIC INFORMATION MEETING

DESIGNER/DRAFTER: FI CHECKED BY: AMW

SIGNATURE/BLOCK: _____



PROJECT NUMBER: 0126-0179
 PROJECT DESCRIPTION: REPLACEMENT OF BRIDGE NO. 06697 ROUTE 110 BUTTERNUT HOLLOW BROOK
 TOWN(S): SHELTON
 DRAWING TITLE: APPROACH ROADWAY STAGING

DRAWING NO. HWY-02
 SHEET NO. _____

LASTED SAVED BY: ADA016 FILE NAME: K:\CT_PROJECTS\0126-0179\VPIM\HW_CP_0126_0179_Typical Sections.dgn
 PLOTTED DATE: 8/7/2023