

BRIDGEPORT TRAIN STATION

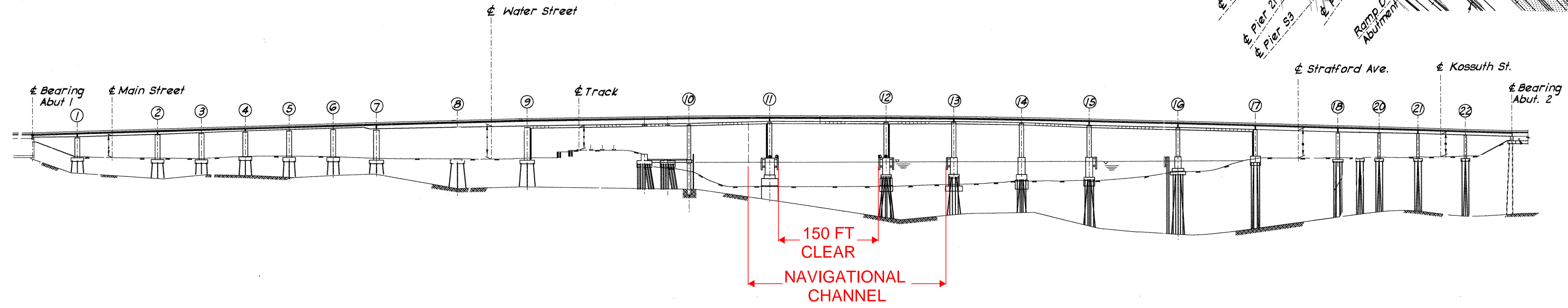
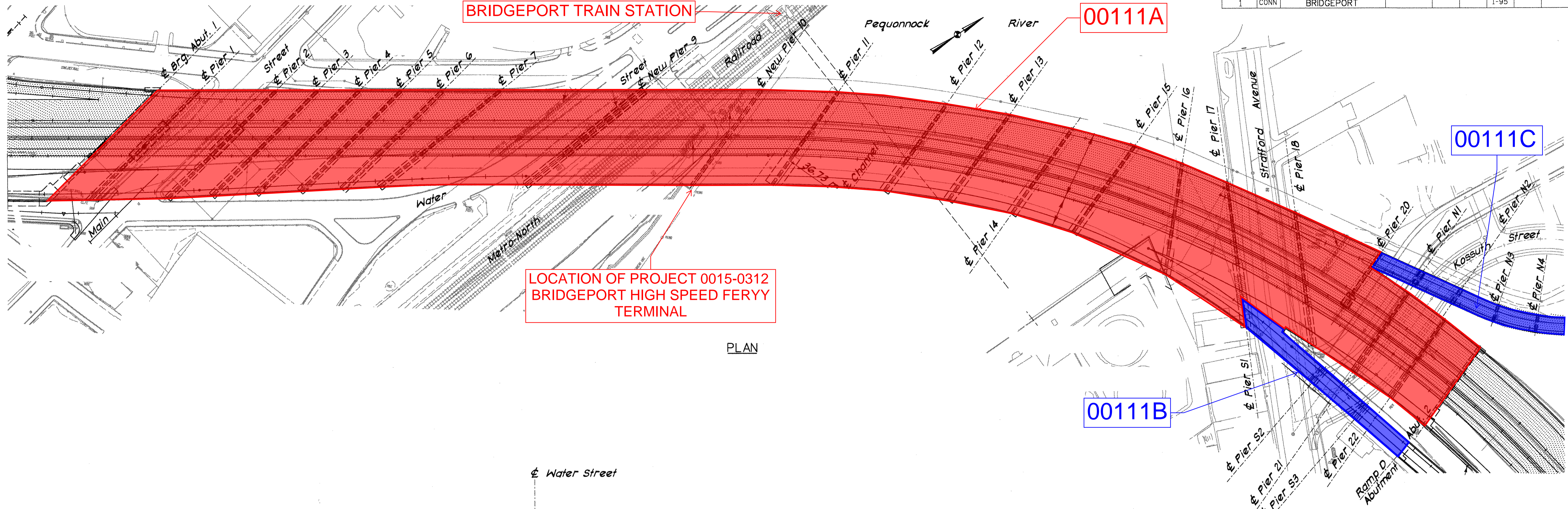
00111A

00111C

00111B

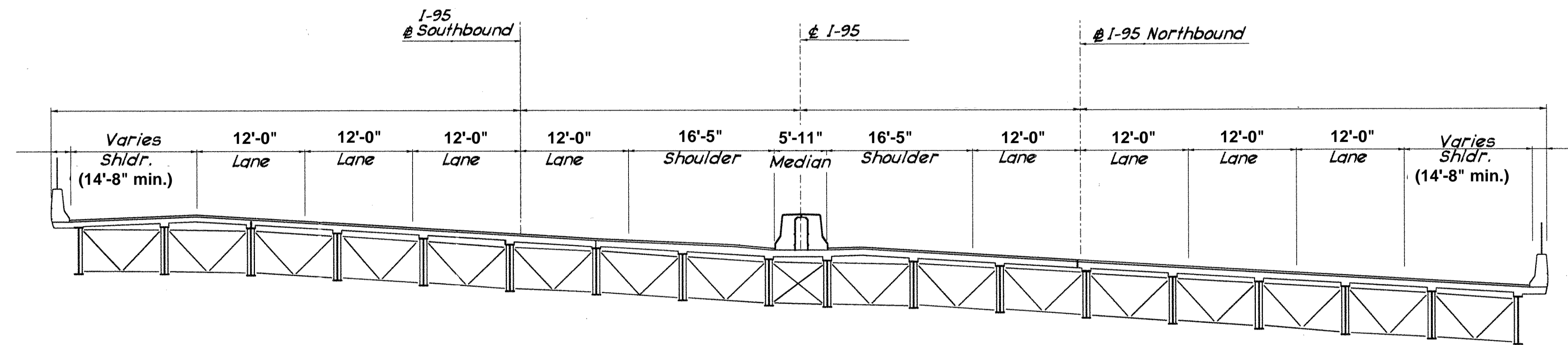
LOCATION OF PROJECT 0015-0312  
BRIDGEPORT HIGH SPEED FERRY  
TERMINAL

PLAN



ELEVATION

<b>CONNECTICUT</b>			
DEPARTMENT OF TRANSPORTATION			
BRIDGEPORT			
GENERAL PLAN AND ELEVATION			
ENGINEER		DRAFTER	
DESIGNER	APPROVED	CHECKER	DATE
NO.	DATE	DESCRIPTION	REVISIONS
STRUCTURE NO.		BRIDGE LOG NO.	STRUCTURE SHEET NO.
		00111	



**TYPICAL BRIDGE SECTION**

<b>CONNECTICUT DEPARTMENT OF TRANSPORTATION</b>			
BRIDGEPORT			
CONSTRUCTION STAGING SECTIONS - 2			
ENGINEER			
DESIGNER		DRAFTER	
APPROVED		CHECKER	
NO.	DATE	DESCRIPTION	DATE
REVISIONS			STRUCTURE NO.
			00111

△	JAN. 2007	ADDITIONAL CONST. JOINT