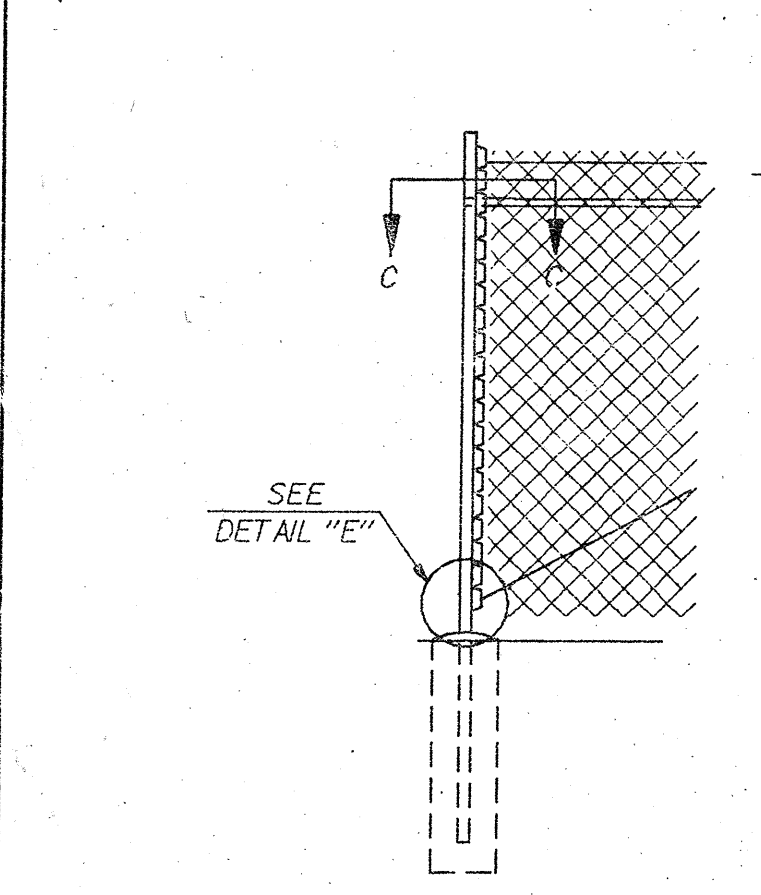
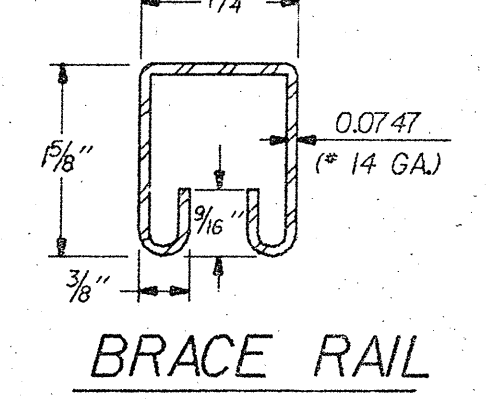


TYPICAL FENCE LAYOUT

ROUND PIPE TERMINAL CORNER OR PULL POST

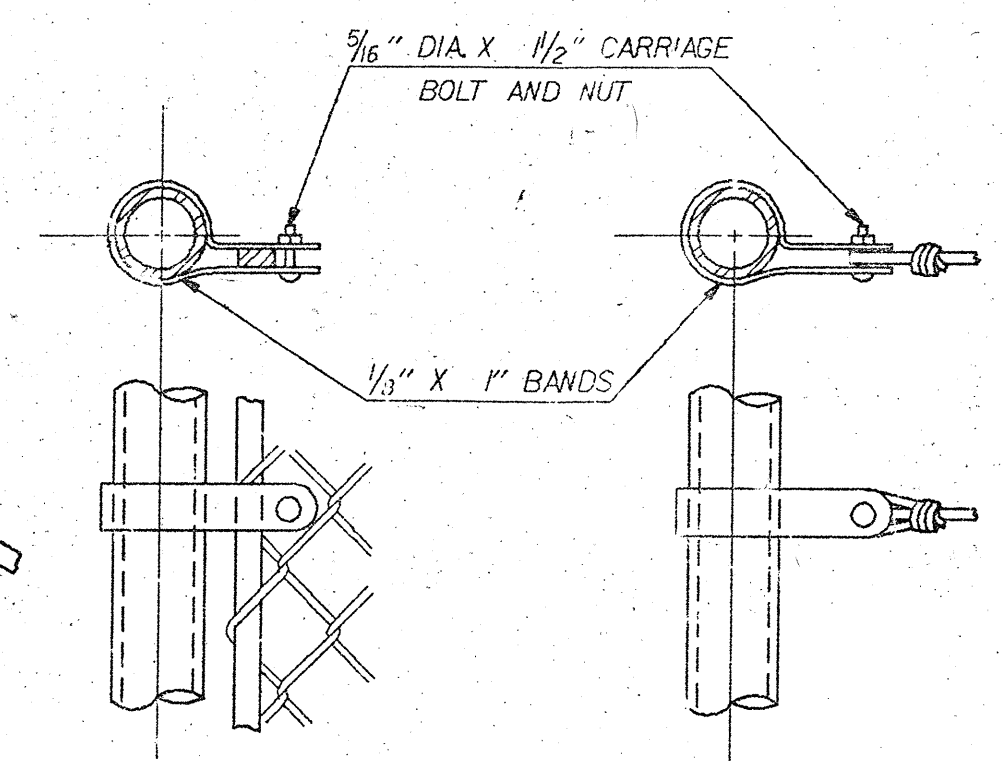


DETAIL "E" TRUSS ROD ATTACHMENT

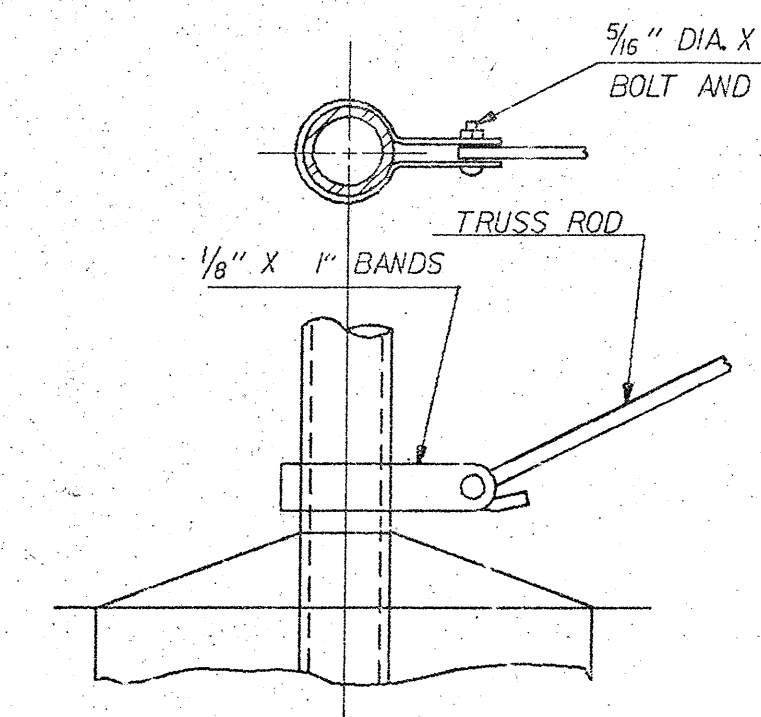


SECTION C - C FABRIC AND BRACE RAIL ATTACHMENT

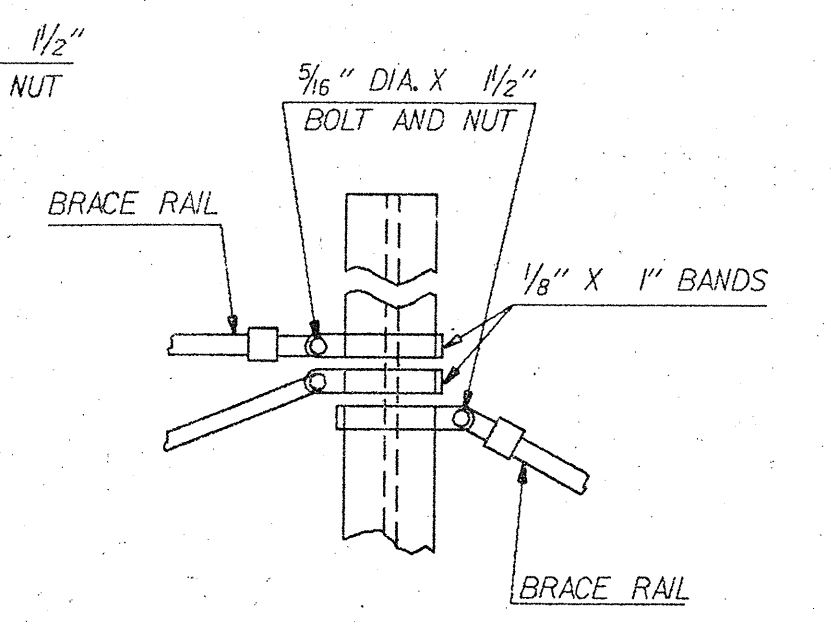
BRACE RAIL



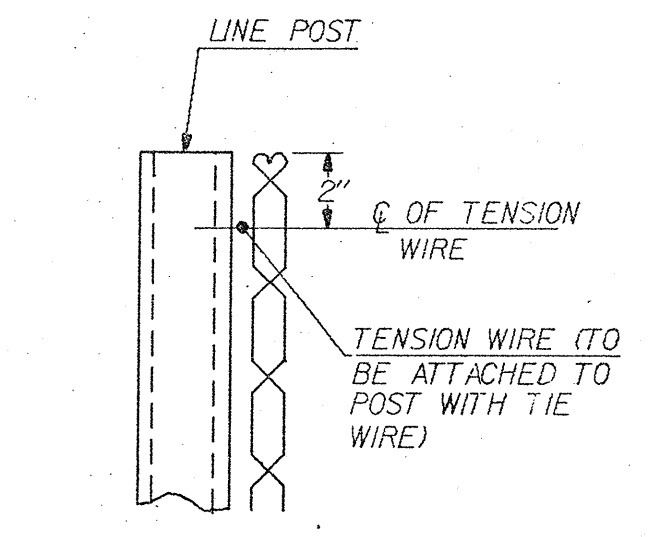
DETAIL "A" STRETCHER BAR AND TENSION WIRE ATTACHMENTS



DETAIL "B" TRUSS ROD ATTACHMENT

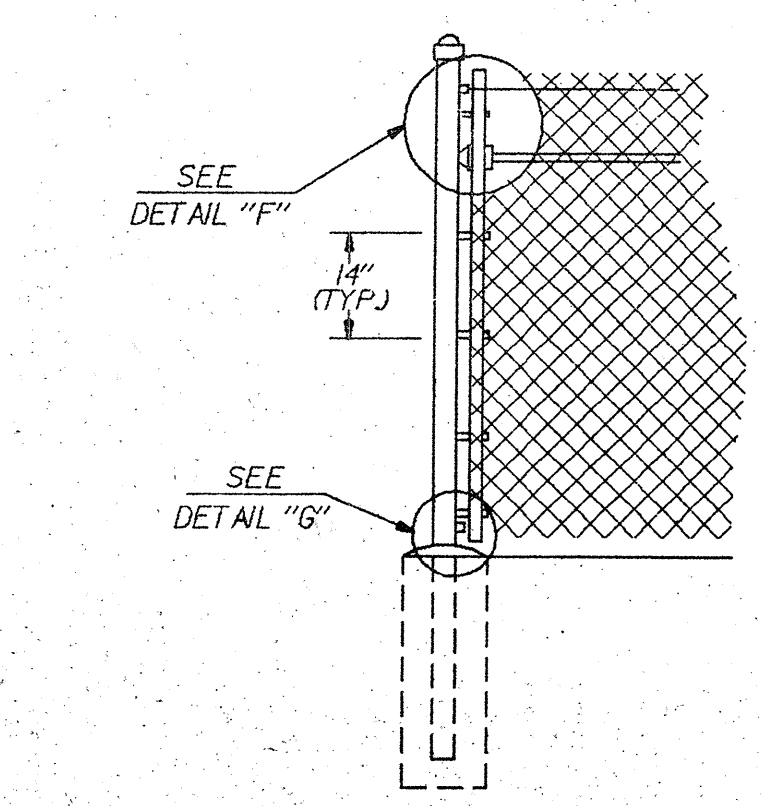


DETAIL "C" ATTACHMENT OF BRACE RAILS TO LINE POSTS (TYPICAL)



DETAIL "D" LOCATION OF TENSION WIRE

ROLL-FORMED SECTION TERMINAL, CORNER OR PULL POST



SQUARE TUBULAR TERMINAL, CORNER OR PULL POST

NOTE: A MINUS TOLERANCE OF 5% IN SIZE AND WEIGHT SHALL BE ALLOWED FOR THESE MEMBERS, BUT SHALL NOT APPLY TO THE ZINC OR POLYVINYL CHLORIDE COATING.

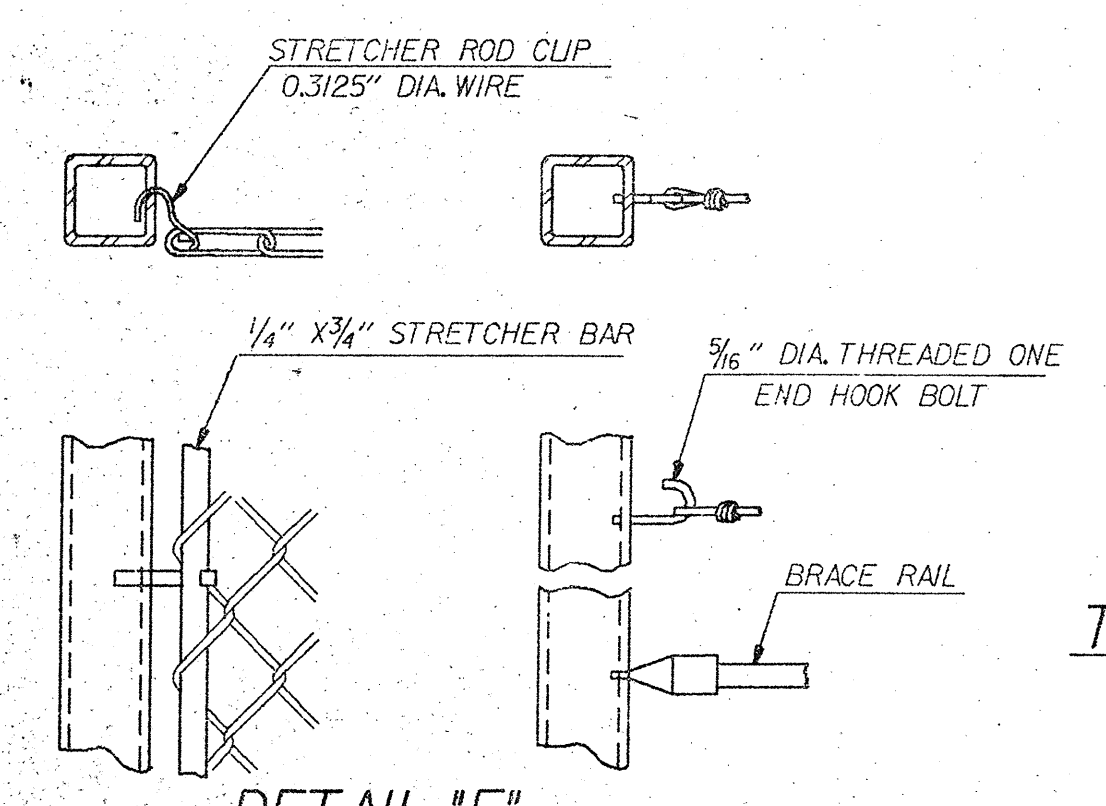
LINE BRACE OR INTERMEDIATE POST	TYPE	MATERIAL	FENCE HEIGHT	
			6' OR LESS DIMENSIONS INCHES	WEIGHT Lbs.perft.
LINE BRACE OR INTERMEDIATE POST	"H"	STEEL	1.87 X 1.62	2.70
		ALUM. ALLOY		0.91
	"C"	STEEL	1.87 X 1.62	2.28
		ALUM. ALLOY		0.94
BRACE RAIL (OR TOP RAIL WHEN SPECIFIED)	ROLL-FORMED*	STEEL	1.62 X 1.25	1.35
		ALUM. ALLOY		0.78
	PIPE	STEEL CLASS 1	1.31 O.D.	1.68
		STEEL CLASS 2		1.34
TERMINAL CORNER OR PULL POST	ROLL-FORMED*	STEEL	3.50 X 3.50	4.84
		ALUM. ALLOY		2.00
	TUBULAR	STEEL	2.00 X 2.00	3.60
		ALUM. ALLOY	2.50 X 2.50	1.25
TERMINAL CORNER OR PULL POST	PIPE	STEEL CLASS 1	2.37 O.D.	3.65
		STEEL CLASS 2		3.12
		ALUM. ALLOY		1.25

* DIMENSIONS AND WEIGHT ARE FOR A FENCE HEIGHT OF 9' OR LESS.

MINIMUM DIMENSIONS AND WEIGHTS OF POSTS AND RAILS

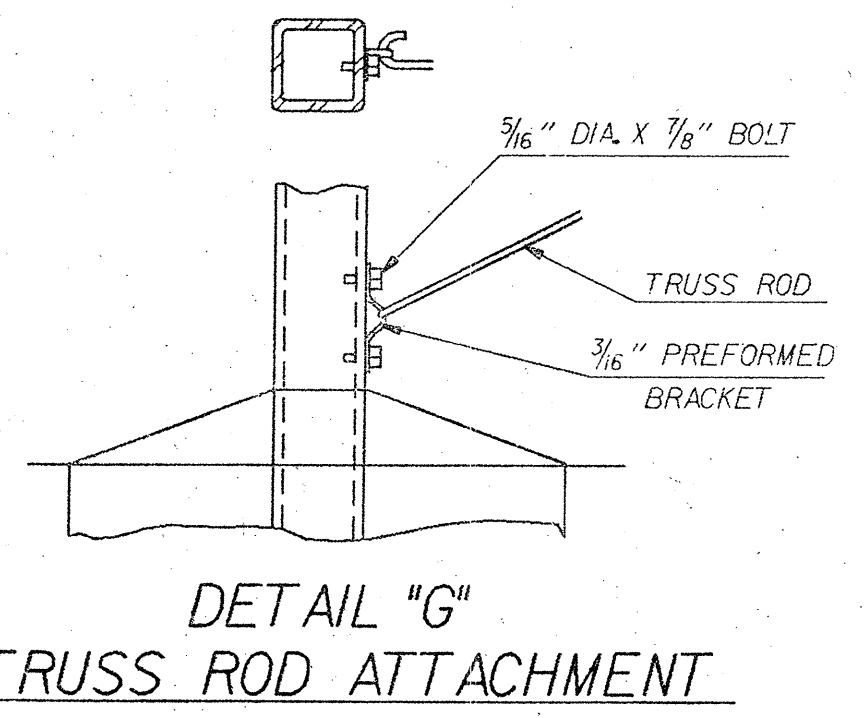
GENERAL NOTES

- 1) REFER TO SPECIFICATIONS FOR LOCATION OF PULL POST ASSEMBLIES.
- 2) ALL SQUARE AND ROUND POSTS WILL BE CAPPED TO PREVENT WATER FROM ENTERING.
- 3) WHERE ROCK IS ENCOUNTERED IT SHALL BE DRILLED AND THE POSTS SET IN CONCRETE OR MORTAR.



DETAIL "F" STRETCHER BAR AND TENSION WIRE ATTACHMENTS TO SQUARE TERMINAL POST

NOTE: BANDS MAY ALSO BE USED FOR ATTACHMENT



DETAIL "G" TRUSS ROD ATTACHMENT

STANDARD SHEET
CONN. DEPT. OF TRANSPORTATION

CHAIN LINK FENCE

REVISIONS		DESIGNED BY	DATE
NO.	DATE	DESCRIPTION	

Designed by: T. McMAHON Date: 2-9-77
 Drafted by: ROGER N. BAROUJIAN Date: 4-18-89
 Reviewed by: C.B. Birkholz Date: 4-18-89
 Approved by: J.B. JENSEN Date: 4-18-89
 F.H.R.A. Approval: [Signature] Date: 2-15-90

Scale: NOT TO SCALE

STANDARD NUMBER
913-A