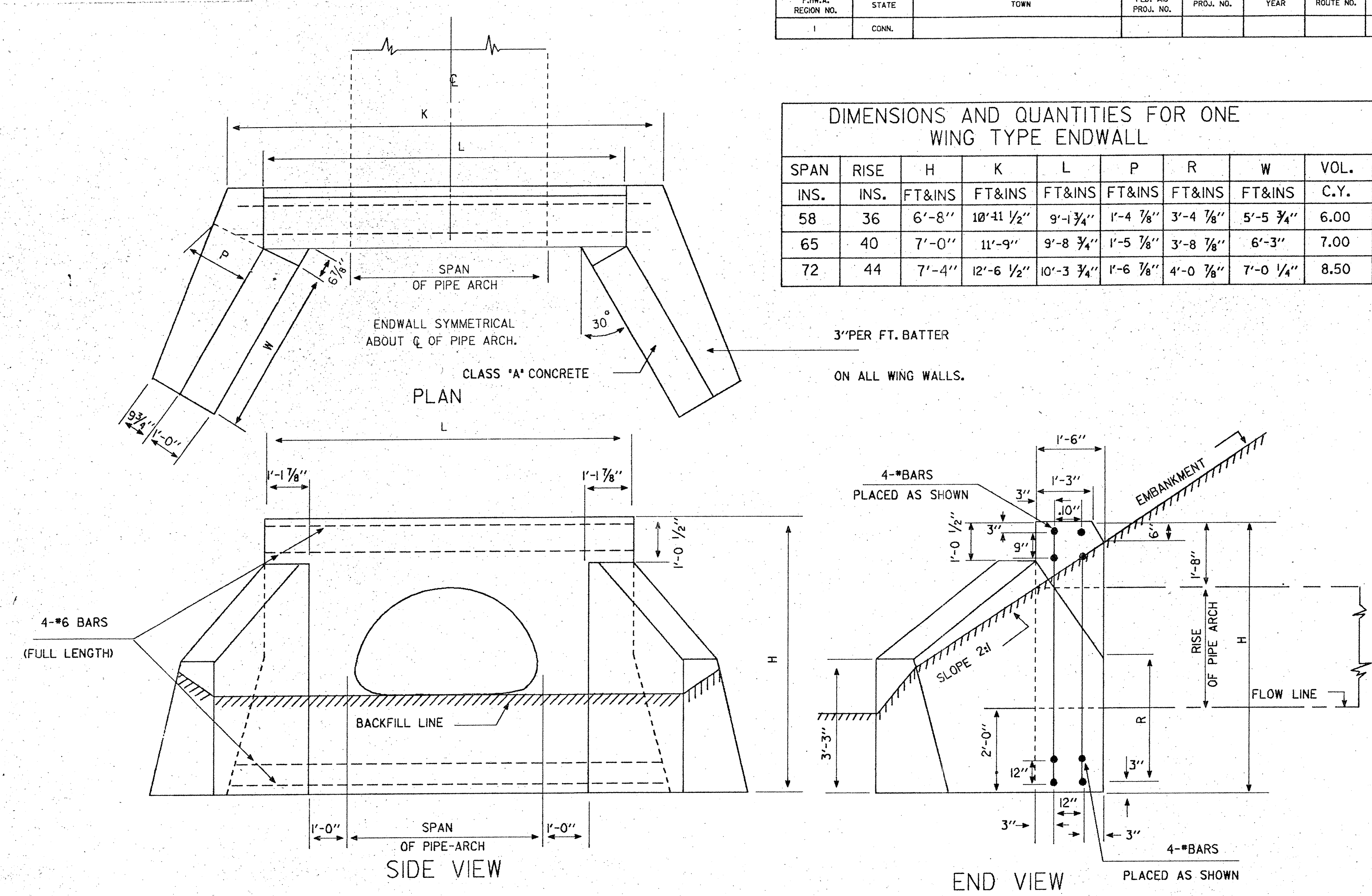


DIMENSIONS AND QUANTITIES FOR ONE ENDWALL BASED ON S=RISE + 2"

SPAN	RISE	S	H	L	BATTER	B	VOL.
INS.	INS.	FT.&INS	FT.&INS	FT.&INS	INS/FT	FT.&INS	C.Y.
18	11	1'-1"	4'-5"	4'-9"	2 1/2"	1'-11"	1.13
22	13	1'-3"	4'-7"	5'-7"	2 1/2"	1'-11 1/2"	1.40
25	16	1'-6"	4'-10"	6'-7"	2 1/2"	2'-0 1/4"	1.78
29	18	1'-8"	5'-0"	7'-5"	2 1/2"	2'-0 1/2"	2.12
36	22	2'-0"	5'-4"	9'-0"	2 1/2"	2'-1 3/8"	2.77
43	27	2'-5"	5'-9"	10'-10"	2 1/2"	2'-2 3/8"	3.68
50	31	2'-9"	6'-1"	12'-5"	2 1/2"	2'-3 1/4"	4.57
58	36	3'-2"	6'-6"	14'-4"	3"	2'-7 1/2"	5.17 *
65	40	3'-6"	6'-10"	15'-11"	3"	2'-8 1/2"	6.52 *
72	44	3'-10"	7'-2"	17'-6"	3"	2'-9 1/2"	7.61 *

*VOLUME BASED ON AREA OF PIPE-ARCH AND WALL THICKNESS HAS BEEN DEDUCTED.
A TOLERANCE OF PLUS OR MINUS 1 INCH WILL BE PERMITTED IN DIMENSIONS SPAN,RISE,H,L AND B.

STANDARD ENDWALL FOR PIPE-ARCH

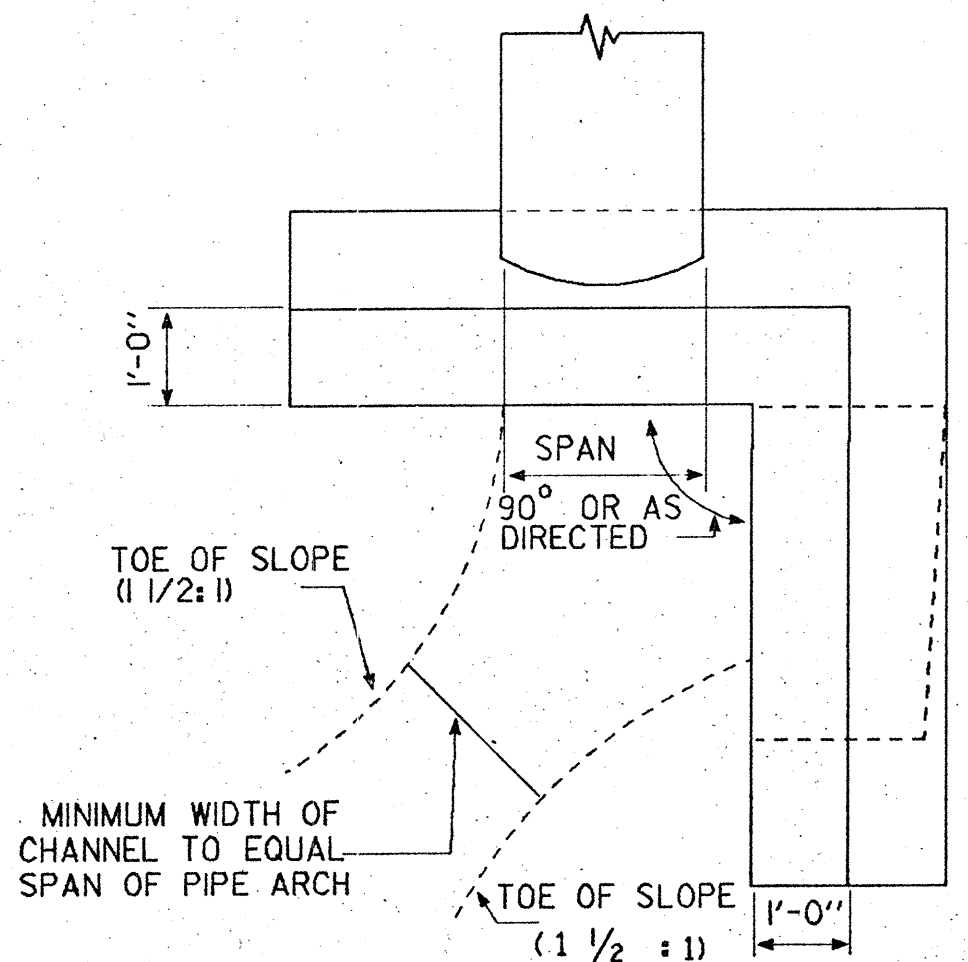


DIMENSIONS AND QUANTITIES FOR ONE WING TYPE ENDWALL

SPAN	RISE	H	K	L	P	R	W	VOL.
INS.	INS.	FT&INS	FT&INS	FT&INS	FT&INS	FT&INS	FT&INS	C.Y.
58	36	6'-8"	10'-11 1/2"	9'-1 3/4"	1'-4 7/8"	3'-4 7/8"	5'-5 3/4"	6.00
65	40	7'-0"	11'-9"	9'-8 3/4"	1'-5 7/8"	3'-8 7/8"	6'-3"	7.00
72	44	7'-4"	12'-6 1/2"	10'-3 3/4"	1'-6 7/8"	4'-0 7/8"	7'-0 1/4"	8.50

STANDARD WING TYPE ENDWALL FOR PIPE-ARCH

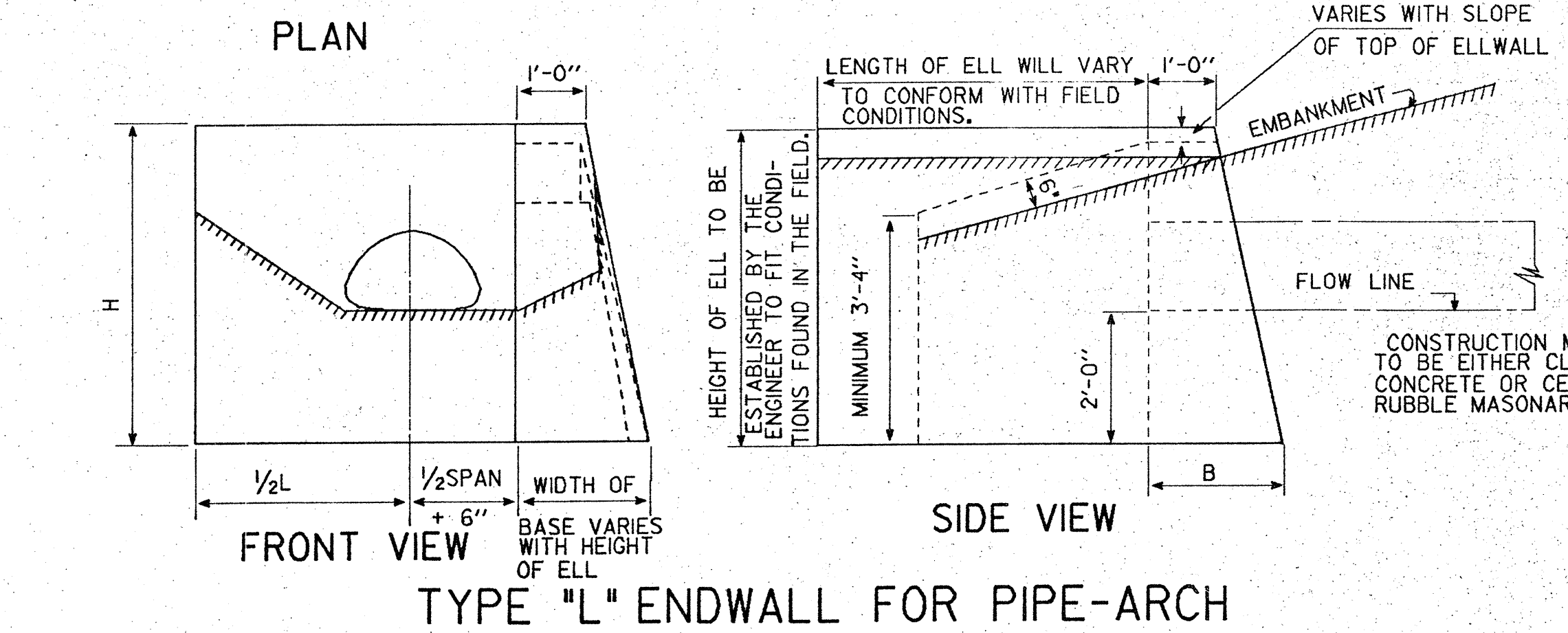
NOTE:
COST OF REINFORCING BARS TO BE INCLUDED IN THE CONTRACT UNIT PRICE FOR CLASS "A" CONCRETE.



DIMENSIONS

SPAN	RISE	H	1/2 L	BATTER	B
INS.	INS.	FT.&INS.	FT.&INS.	INS/FT.	FT.&INS.
18	11	4'-5"	2'-4 1/2"	2 1/2"	1'-11"
22	13	4'-7"	2'-9 1/2"	2 1/2"	1'-11 1/2"
25	16	4'-10"	3'-3 1/2"	2 1/2"	2'-0 1/4"
29	18	5'-0"	3'-8 1/2"	2 1/2"	2'-0 1/2"
36	22	5'-4"	4'-6"	2 1/2"	2'-1 3/8"
43	27	5'-9"	5'-5"	2 1/2"	2'-2 3/8"
50	31	6'-1"	6'-2 1/2"	2 1/2"	2'-3 1/4"
58	36	6'-6"	7'-2"	3"	2'-7 1/2"
65	40	6'-10"	7'-11 1/2"	3"	2'-8 1/2"
72	44	7'-2"	8'-9"	3"	2'-9 1/2"

A TOLERANCE OF PLUS OR MINUS 1 INCH WILL BE PERMITTED IN DIMENSIONS SPAN,RISE,1/2 L AND B.

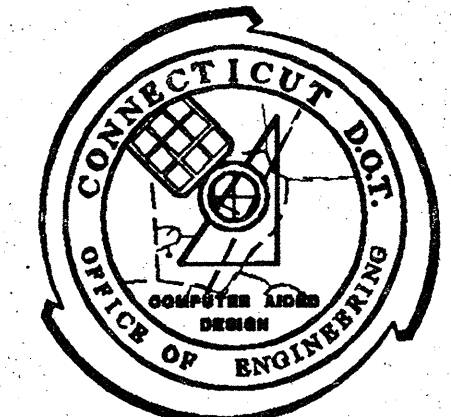


TYPE "L" ENDWALL FOR PIPE-ARCH

H=TOTAL HEIGHT OF ENDWALL
B=BASE
S=HEIGHT OF SLOPE ABOVE FLOW LINE AT FACE OF WALL-MINIMUM=RISE +2"
L=LENGTH OF WALL=3S + SPAN.
ALL EDGES OF EXPOSED SURFACES TO BE CHAMFERED APPROXIMATELY ONE INCH.

NOTE:
ALL CONSTRUCTION DIMENSIONS ARE NOMINAL.
THESE ENDWALLS WILL BE USED ONLY AT LOCATIONS WHERE THEY WILL NOT BE A HAZARD TO VEHICLES THAT RUN OFF THE ROAD. IN NO CASE WILL THE LOCATION OF THESE ENDWALLS BE LESS THAN 30' FROM THE EDGE OF THE TRAVELED WAY.

MANUAL REVISIONS TO THIS DOCUMENT ARE PROHIBITED. ALL REVISIONS MUST BE PERFORMED ON CADD FILE 05A24200,2005068.DGN



STANDARD SHEET
CONN. DEPT. OF TRANSPORTATION

ENDWALLS FOR PIPE-ARCH

REVISIONS		DESIGNED BY: R. F. FELIX	DATE: 5-22-61
NO.	DATE	DESCRIPTION	
		Drafted by: A. BOGAT	DATE: 9-29-68
		Reviewed by: T. MCMAHON	DATE: 12-30-68
		Approval Recd: <i>[Signature]</i>	DATE: 1-20-69
		Approved: <i>[Signature]</i>	DATE: 9-20-69
		F.H.W.A. Approval: <i>[Signature]</i>	DATE: 9/10/90

Scale: NOT TO SCALE

STANDARD NUMBER: 506-B