

TYPE "D-G" ENDWALL

PIPE DIAMETER (INCHES)	VOLUME (CU. YDS. CLASS "A") CONCRETE
15	2.44
18	2.57
24	2.85

GENERAL NOTES

THESE ENDWALLS WILL BE USED ONLY AT LOCATIONS WHERE THEY WILL NOT BE A HAZARD TO VEHICLES THAT RUN OFF THE ROAD. IN NO CASE WILL THE LOCATION OF THESE ENDWALLS BE WITHIN THE CLEAR ZONE.

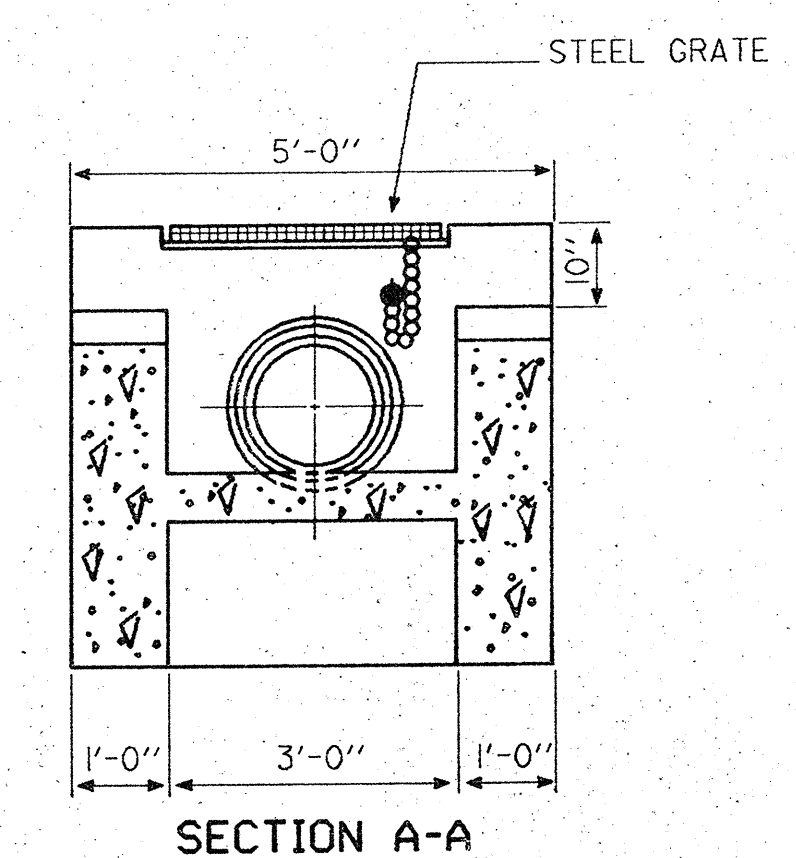
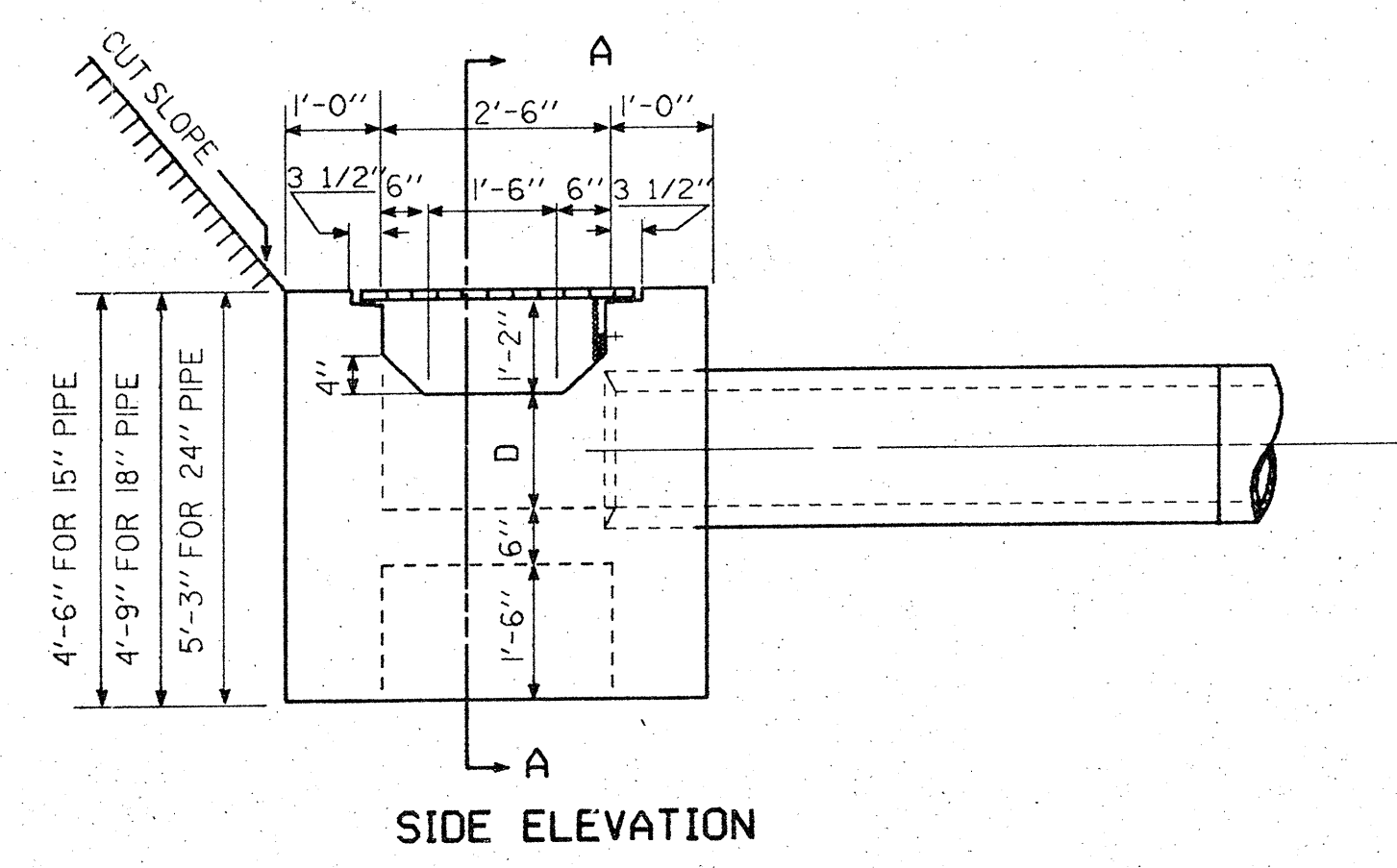
FOR ALL TYPE "D-G" & "L" ENDWALLS, ALL EDGES OF EXPOSED SURFACES TO BE CHAMFERED APPROXIMATELY ONE INCH.

ALL CONSTRUCTION DIMENSIONS ARE NOMINAL.

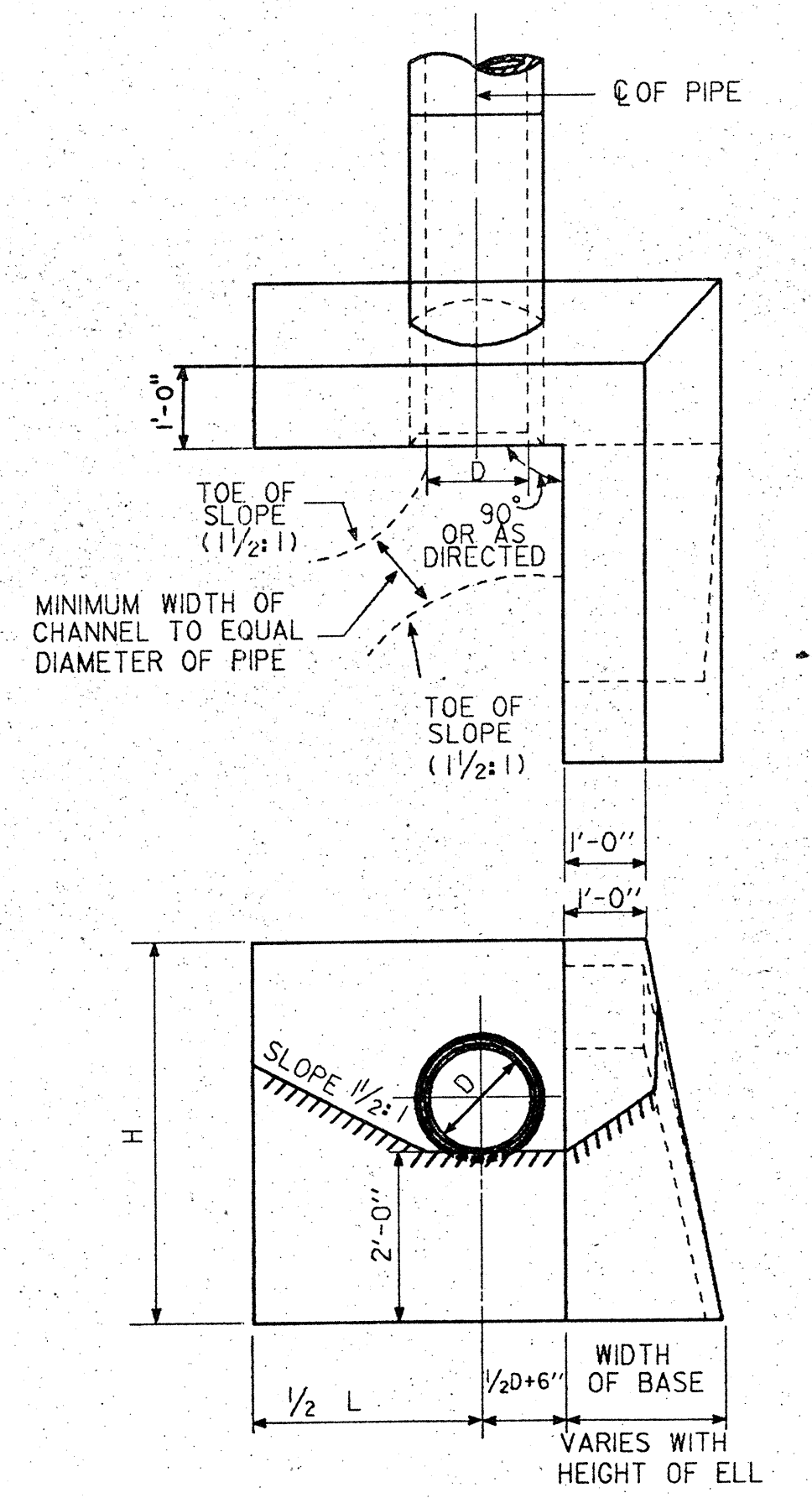
IN CONSTRUCTING TYPE "D-G" ENDWALLS, CARE MUST BE TAKEN TO HAVE THE SHORT AXIS OF THE WELL OPENING PARALLEL TO THE LONG AXIS OF THE GRATE IN ORDER TO ALLOW THE BEARING BARS TO PERFORM THEIR FUNCTION PROPERLY.

TYPE "D-G" AND "L" ENDWALLS TO BE CONSTRUCTED OF CLASS "A" CONCRETE OR CEMENT RUBBLE MASONRY.

STEEL GRATING MECHANICALLY LOCKED UNDER HYDRAULIC PRESSURE, WELDED, OR ELECTROFORGED. APPROXIMATE WEIGHT = 45 LBS. THE GRATE SHALL BE GALVANIZED IN ACCORDANCE WITH M.06.03.

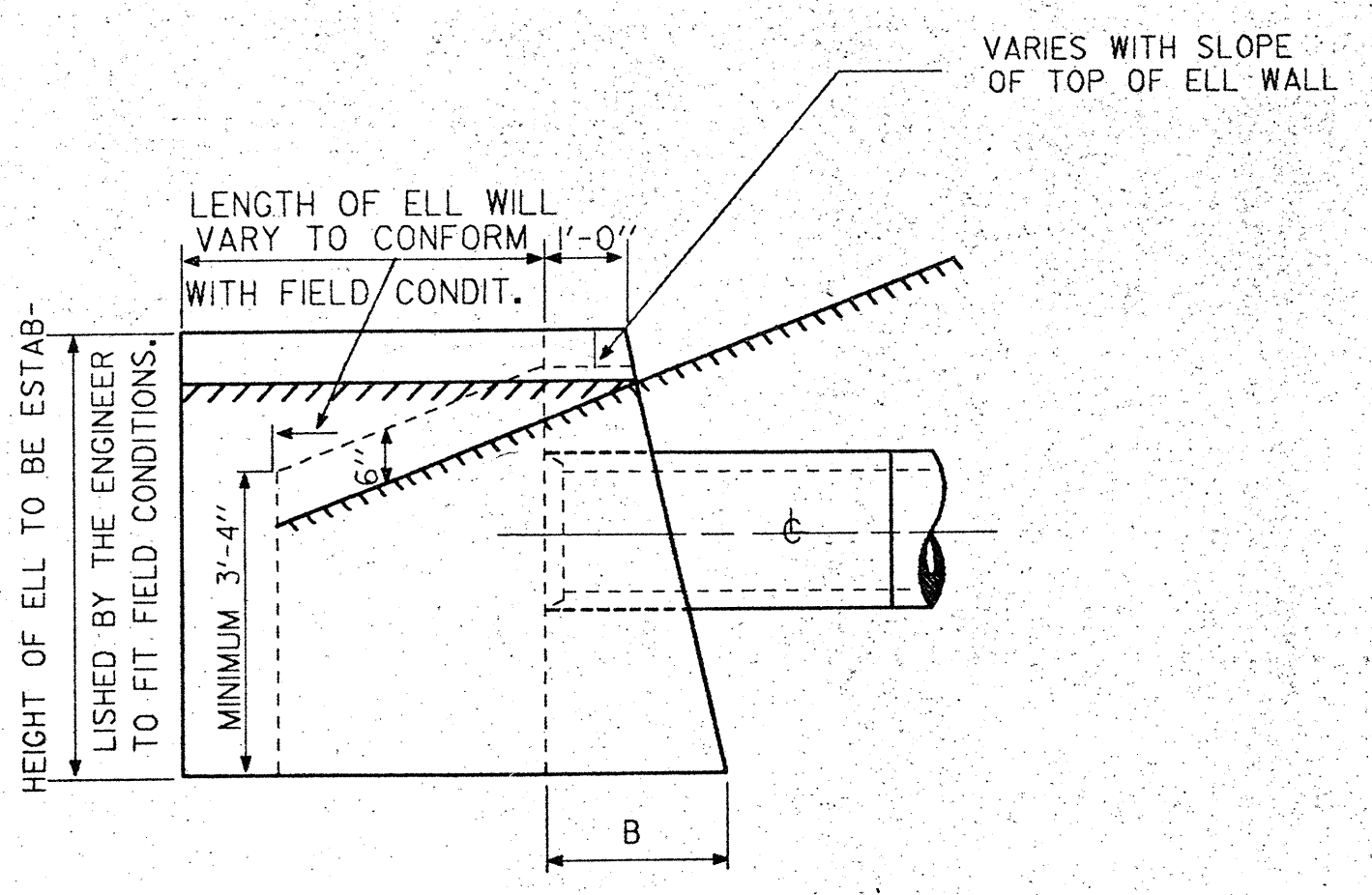


TYPE "D-G" ENDWALL



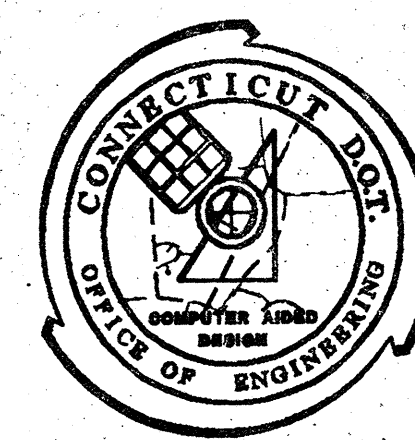
DIMENSIONS

D	H	1/2 L	BATTER	B
INS.	FT. & INS.	FT. & INS.	INS/FT	FT. & INS.
12"	4'-6"	2'-3"	2 1/2"	1'-11 1/4"
15"	4'-9"	2'-9"	2 1/2"	1'-11 7/8"
18"	5'-0"	3'-3"	2 1/2"	2'-0 1/2"
24"	5'-6"	4'-3"	2 1/2"	2'-1 3/4"
30"	6'-0"	5'-3"	2 1/2"	2'-3"
36"	6'-6"	6'-3"	3"	2'-7 1/2"
42"	7'-0"	7'-3"	3"	2'-9"
48"	7'-6"	8'-3"	3"	2'-10 1/2"



TYPE "L" ENDWALL

MANUAL REVISIONS TO THIS DOCUMENT ARE PROHIBITED. ALL REVISIONS MUST BE PERFORMED ON



STANDARD SHEET
CONN. DEPT. OF TRANSPORTATION

TYPE "D-G" & "L" ENDWALLS

REVISIONS		Designed by: R. F. FELIX	Date: 8-5-61
NO.	DATE	DESCRIPTION	
		Drafted by: N. OZKAN	Date: JUNE 1990
		Reviewed by: T. McMAHON	Date: JUNE 1990
		Approval Rec: J. OBARA	Date: JUNE 1990
		Approved: <i>[Signature]</i>	Date: 1-20
		F.H.W.A. Approval: <i>[Signature]</i>	Date: 8-26-91

Scale: NOT TO SCALE

STANDARD NUMBER: 506-A