



56 Prospect Street
P.O. Box 270
Hartford, CT 06141-0270
(860) 728-4654

Deborah Denfeld
Team Lead – Transmission Siting
(860) 205-9368

April 26, 2023

Melanie Bachman, Esq.
Executive Director
Connecticut Siting Council
Ten Franklin Square
New Britain, CT 06051

RE: The Connecticut Light and Power Company's Notice of Exempt Modification Pursuant to RCSA § 16-50j-57(a) to Existing Energy Facility Site at 315 Bellview Avenue in the Town of Southington, Connecticut ("Notice of Exempt Modification")

Dear Attorney Bachman:

The Connecticut Light and Power Company dba Eversource Energy ("Eversource") hereby gives notice to the Connecticut Siting Council of its intent to undertake an exempt modification in accordance with Section 16-50j-57(b)(2) of the Regulations of Connecticut State Agencies ("RCSA") for the modification to Eversource's Southington Substation described herein.

Proposed Modification

The proposed modification would take place within the existing fenced area at Eversource's Southington Substation ("Substation"), located on Eversource-owned property at 315 Bellview Avenue in the Town of Southington. The Substation currently consists of four 345- to 115 kilovolt ("kV"), 400-MVA autotransformers, two 115 to 13.8 kV, 46.7-MVA bulk power transformers, and a 13.8-kV metal switch gear unit with nine feeders and one spare position.

Eversource proposes the following modification to the Substation:

- Installation of one new 115- to 13.8-kV, 37.5-/50/62.5-MVA power transformer,
- Installation of one new 115-kV motor operated disconnect switch, and
- Installation of foundations and relay/control cables to accommodate the new equipment.

The existing substation arrangement with the proposed modification (called out as 8X) is shown on Attachment A - Southington Substation – General Arrangement Plan & Section – Connecticut Siting Council.

The proposed modification would not have a substantial adverse environmental effect or cause a significant adverse change or alteration in the physical or environmental characteristics of the Substation because:

- The modification would be made within the Substation's existing fenced area and would not impair the structural integrity of the facility.
- The new equipment would be shorter than the tallest existing structure within the Substation and would not cause any significant adverse change in the physical or environmental characteristics of the Substation.
- The work would not affect wetlands or waterways. The Substation is not in a flood zone.
- Eversource's review of the Department of Energy and Environmental Protection's Natural Diversity Data Base ("NDDB") identified no state-listed endangered, threatened, or special concern species in the vicinity of the Substation.
- There would be no increase in television or radio interference resulting from the modification.
- Sound pressure levels at all points along the property line would continue to meet state regulations following the modification.
- Electric and magnetic field levels at the Substation boundary would not change as a result of the modification.

Eversource proposes to commence construction in September 2023. Work is scheduled to be completed in September 2024.

Eversource is submitting this filing electronically and will be providing an original and two hard copies for the Council's records. Eversource is including a check for the requisite fee of \$625.00.

A notice of the exempt modification filing has been provided to the Southington Town Manager.

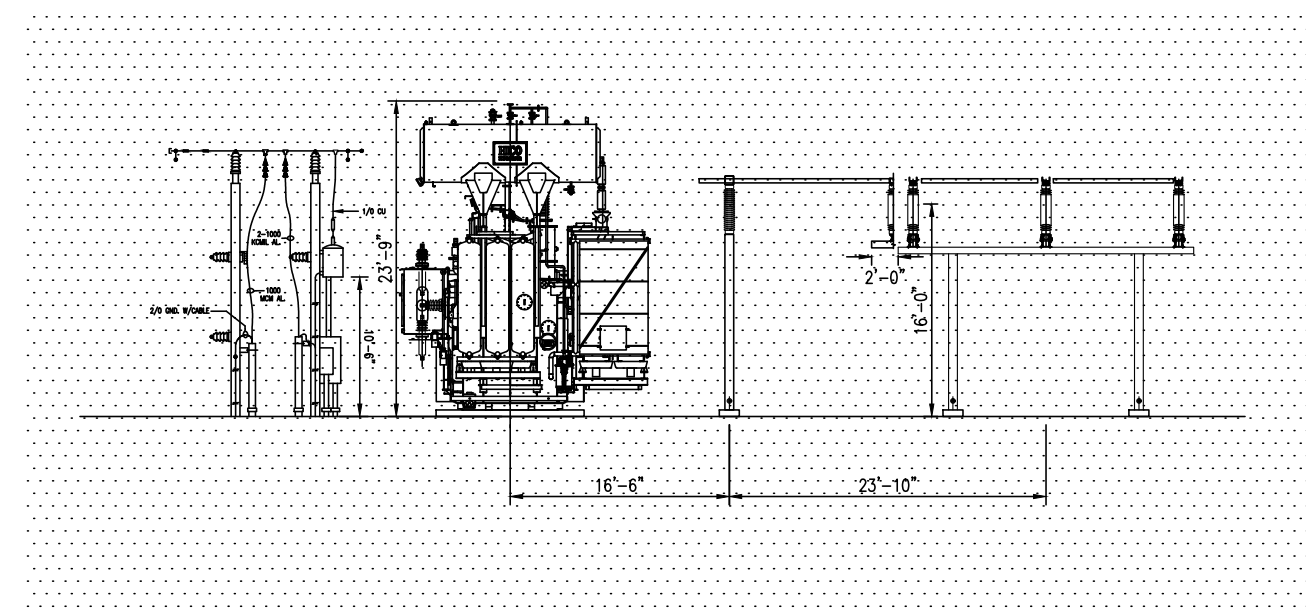
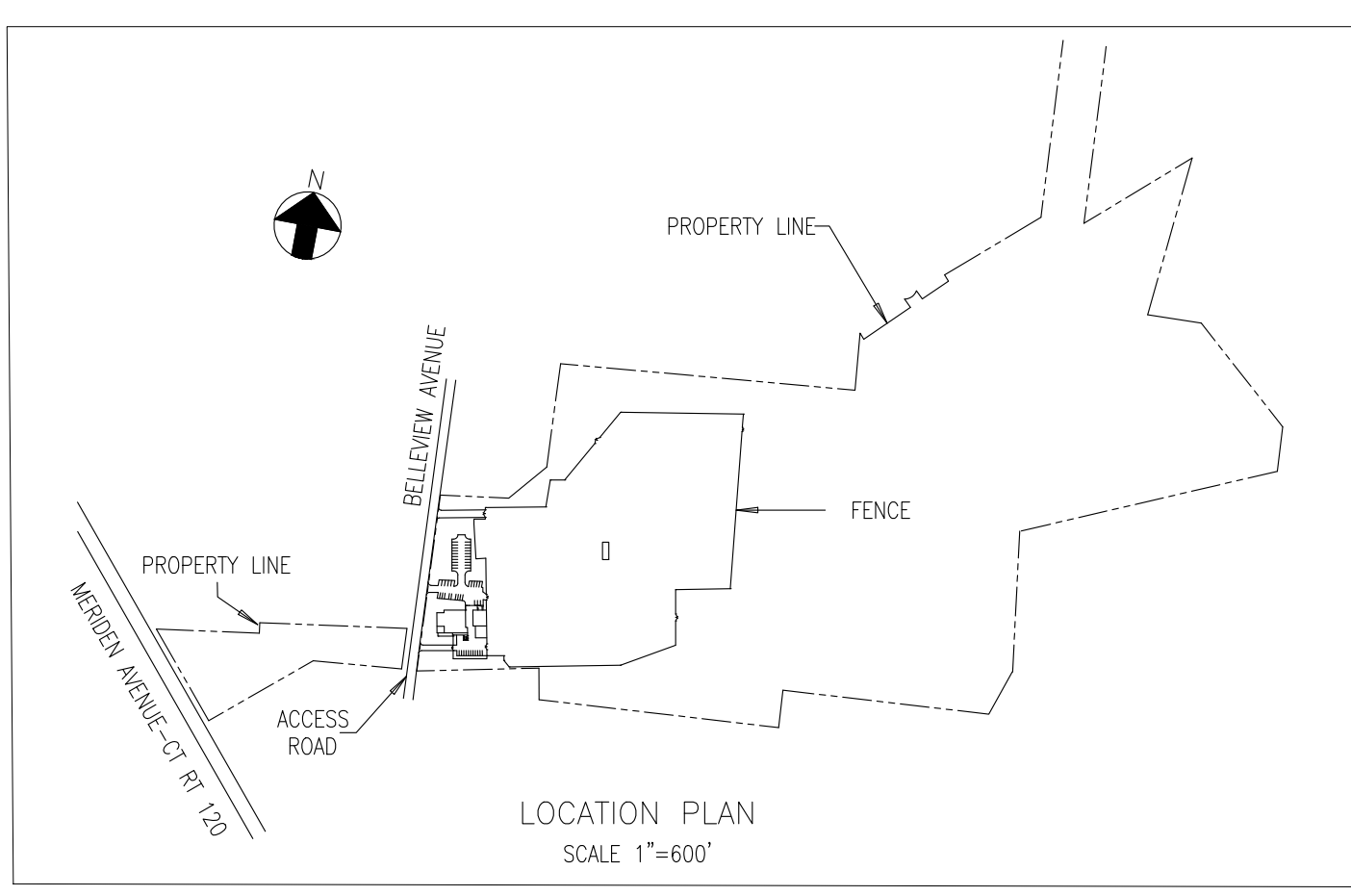
Communications regarding this Notice of Exempt Modification should be directed to Deborah Denfeld at (860) 728-4654.



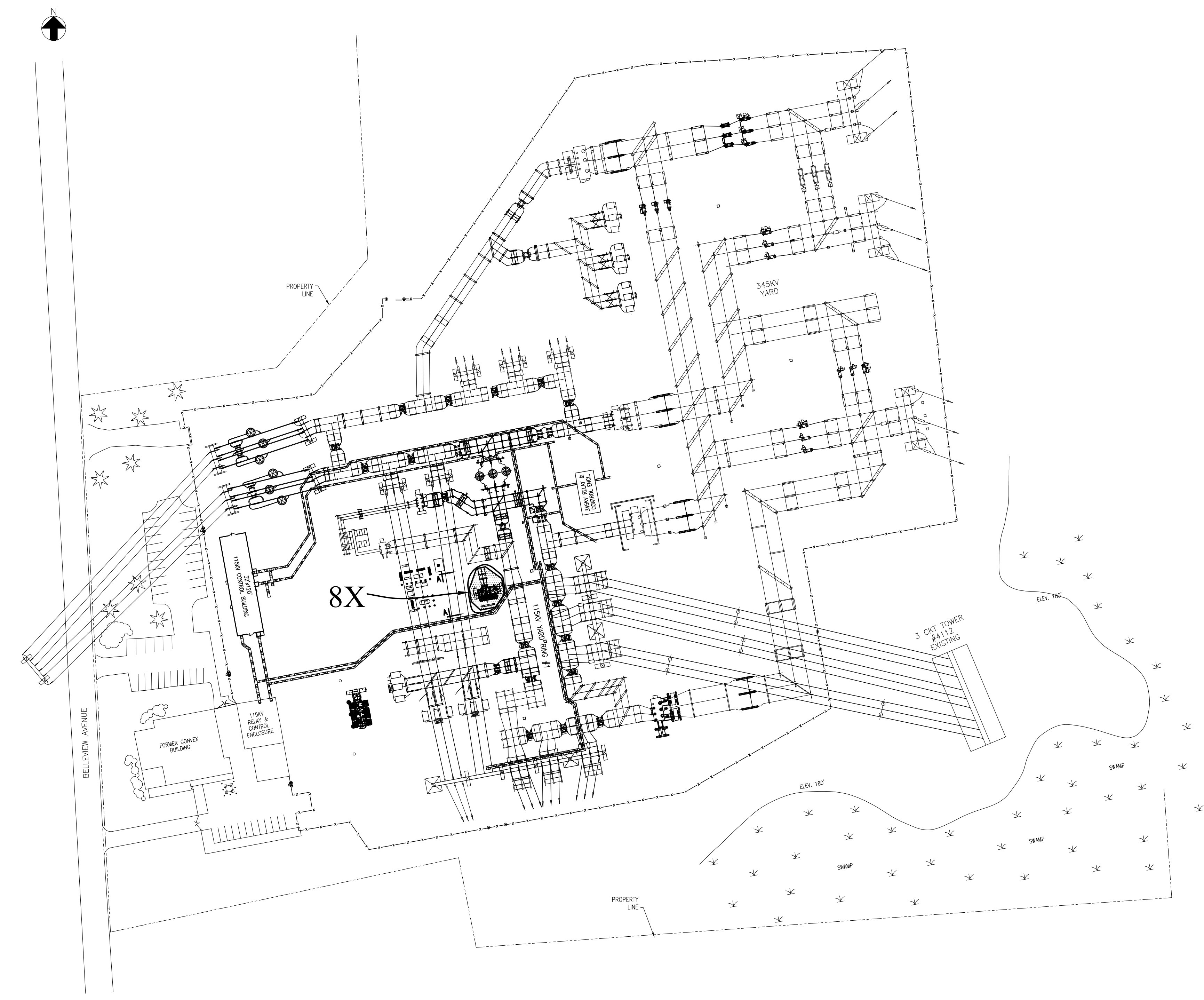
By: _____

Deborah Denfeld
Team Lead – Transmission Siting

6/7/2022 10:14 AM - SHELUM - NVALETT WORK AREA/STATION/3101 - SOUTHINGTON 4C/STATION COUNCIL 7X 40123101-92001.DWG - REV 8X ADDITIONS
 ES VER: 02/2015



SECTION A-A



REV 8X ADDITIONS

REVISIONS DURING CONSTRUCTION					
REV	DATE	DESCRIPTION	BY	CHKD	APP
8X	10/22	INSTALL 8X XEVR W/ #ENG08P04	JTS	JUN	GB

EVERSOURCE ENERGY

SOUTHINGTON 4C
 GENERAL ARRANGEMENT - PLAN & SECTIONS - CSC
 PLAN & SECTION VIEW
 SOUTHINGTON, CT

NO.	DATE	DESCRIPTION	BY	CHKD	APP	REV	DATE	DESCRIPTION	BY	CHKD	APP
5	12/20	NEW SPARE AUTO XF	WCR	EAM	OST						
4	1/2010	BY MESA, W/ #40483063 UPGRADED FENCE HEIGHT W/O #32009-18	SAK	CMK	CMK						
3	6/08	RPL 1870 LINE FOR 8-90 RELEASE, W/ #40373589 INSTALL 1810 & 1950 LINE REACTORS, W/ #40793109	DEB	JOM	CMK						
2	5/05	ADDITION OF REACTORS, LINES 1950 & 1810, W/O #40103601	MUS	JWG	-						
1	6/03/05	CSC REVISION AS BUILT REVISIONS	CAI	MPM	JWG						

23101-92001