



STATE OF CONNECTICUT

CONNECTICUT SITING COUNCIL

Ten Franklin Square, New Britain, CT 06051

Phone: (860) 827-2935 Fax: (860) 827-2950

E-Mail: siting.council@ct.gov

www.ct.gov/csc

VIA ELECTRONIC MAIL

July 15, 2019

Mark Roberts
QC Development
PO Box 916
Storrs, CT 06268

RE: **EM-CING-112-190701** – New Cingular Wireless PCS, LLC (AT&T) notice of intent to modify an existing telecommunications facility located at 82 Tyrone Road, Pomfret, Connecticut.

Dear Mr. Roberts:

The Connecticut Siting Council (Council) is in receipt of your correspondence of July 10, 2019 submitted in response to the Council's July 2, 2019 notification of an incomplete request for exempt modification with regard to the above-referenced matter.

The submission renders the request for exempt modification complete and the Council will process the request in accordance with the Federal Communications Commission 60-day timeframe.

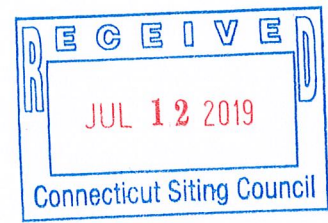
Thank you for your attention and cooperation.

Sincerely,

Melanie A. Bachman
Executive Director

MAB/IN/emr

file copy



From: [Mark Roberts](#)
To: ["Robidoux, Evan"](#)
Cc: [CSC-DL Siting Council](#)
Subject: RE: Council Incomplete Letter for EM-CING-112-190701-TyroneRd-Pomfret
Date: Wednesday, July 10, 2019 10:52:00 AM
Attachments: [em-cing-112-190701_incompleteltr_TyroneRd.pdf](#)
[CT1050 LTE 3C 4C 5C CD REV2 06.21.19 CSC REV 07.08.2019.pdf](#)
Importance: High

Hello – Please find attached a revised set of CDs addressing your incompleteness letter dated 7/2/2019.

One hard copy set will be mailed today.

Mark Roberts
QC Development
860-670-9068

From: Robidoux, Evan <Evan.Robidoux@ct.gov>
Sent: Friday, July 5, 2019 4:18 PM
To: Mark Roberts <mark.roberts@qcdevelopment.net>
Cc: CSC-DL Siting Council <Siting.Council@ct.gov>
Subject: Council Incomplete Letter for EM-CING-112-190701-TyroneRd-Pomfret

Please see the attached correspondence.

Evan Robidoux
Clerk Typist
Connecticut Siting Council
10 Franklin Square
New Britain, CT 06051



STATE OF CONNECTICUT

CONNECTICUT SITING COUNCIL

Ten Franklin Square, New Britain, CT 06051

Phone: (860) 827-2935 Fax: (860) 827-2950

E-Mail: siting.council@ct.gov

www.ct.gov/csc

July 2, 2019

Mark Roberts
QC Development
PO Box 916
Storrs, CT 06268

RE: **EM-CING-112-190701** – New Cingular Wireless PCS, LLC (AT&T) notice of intent to modify an existing telecommunications facility located at 82 Tyrone Road, Pomfret, Connecticut.

Dear Mr. Roberts:

The Connecticut Siting Council (Council) received a notice of intent to modify the above-referenced facility on July 1, 2019.

According to Section 16-50j-71 of the Regulations of Connecticut State Agencies, "...any modification, as defined in Section 16-50j-2a of the Regulations of Connecticut State Agencies, to an existing tower site, except as specified in Sections 16-50j-72 and 16-50j-88 of the Regulations of Connecticut State Agencies, may have a substantial adverse environmental effect."

Staff has reviewed this exempt modification request for completeness and has identified a deficiency in the Construction Drawings (CD) last revised June 21, 2019, provided with the request. The above-referenced document cites the 2012 International Building Code (IBC) and the 2016 Connecticut State Building Code (CSBC); however, the State of Connecticut has adopted the 2015 IBC as amended within the 2018 CSBC effective October 1, 2018.

Therefore, the exempt modification request is incomplete at this time. The Council recommends that QC Development provide an updated Construction Drawing that comports with the current 2018 CSBC, on or before August 2, 2019. If additional time is needed to gather the requested information, please submit a written request for an extension of time prior to August 2, 2019. **Please provide an electronic version and one hard copy of the response for the incomplete request to be rendered complete and processed.**

This notice of incompleteness shall have the effect of tolling the Federal Communications Commission (FCC) 60-day timeframe in accordance with Paragraph 217 of the FCC Wireless Infrastructure Report and Order issued on October 21, 2014 (FCC 14-153).

Thank you for your attention to this matter. Should you have any questions, please feel free to contact me at 860-827-2951.

Sincerely,

Melanie Bachman
Executive Director

MAB/IN/emr

- c: The Honorable Maureen A. Nicholson, First Selectman, Town of Pomfret
Ryan Brais, Zoning Enforcement Officer, Town of Pomfret
Walter P. Hinchman, Planning and Zoning Chairman, Town of Pomfret



PROJECT INFORMATION

SCOPE OF WORK: ITEMS TO BE MOUNTED ON THE EXISTING MONOPOLE:

- INSTALL NEW MOUNTING PLATFORM, SITEPRO1 PART# RMQP-12-H5.
- INSTALL NEW HANDRAIL KIT SITEPRO 1 PART # HRK12-3HD (OR APPROVED EQUAL).
- INSTALL NEW 2" STD. (2.38" O.D.) STEEL PIPE MAST, SECURED TO THE PROPOSED MOUNT (TYP. OF 4 PER SECTOR, TOTAL OF 12).
- NEW AT&T ANTENNAS: (NNHH-65C-R4) MOUNTED @ POSITION 3 (TYP. OF 1 PER SECTOR, TOTAL OF 3).
- NEW AT&T ANTENNAS: (800-10966) MOUNTED @ POSITION 4 (TYP. OF 1 PER SECTOR, TOTAL OF 3).
- NEW AT&T RRUS: B5/B12 4449 (700/850) MOUNTED @ POSITION 4 (TYP. OF 1 PER SECTOR, TOTAL OF 3).
- NEW AT&T RRUS: B2/B66A 8843 (1900/AWS) MOUNTED @ POSITION 4 (TYP. OF 1 PER SECTOR, TOTAL OF 3).
- NEW AT&T RRUS: 32 (WCS) MOUNTED @ POSITION 3 (TYP. OF 1 PER SECTOR, TOTAL OF 3).
- NEW DC6-48-60-18-8C SQUID WITH (1) DC/FIBER SQUID & (1) DC SQUID (TO FOLLOW EXISTING ROUTE)

ITEMS TO BE MOUNTED AT EQUIPMENT LOCATION:

- UPGRADE DUL TO 5216.
- ADD (2) XMU.
- ADD RBS 6630 FOR 5G.

SITE ADDRESS: 82 TYRONE ROAD
POMFRET, CT 06258

LATITUDE: 41.890241° N 41° 53' 24.87" N
LONGITUDE: 71.955611° W 72° 57' 20.19" W
TYPE OF SITE: MONOPOLE / INDOOR EQUIPMENT
TOWER HEIGHT: 154'-0"±
RAD CENTER: 154'-0"±
CURRENT USE: TELECOMMUNICATIONS FACILITY
PROPOSED USE: TELECOMMUNICATIONS FACILITY



SITE NUMBER: CT1050
SITE NAME: POMFRET-TYRONE RD
FA CODE: 10035021

PACE ID: MRCTB008300, MRCTB027239, MRCTB038296, MRCTB038299, MRCTB038302
PROJECT: LTE 3C_4C_5C & ANTENNA MODIFICATIONS 2018 UPGRADE

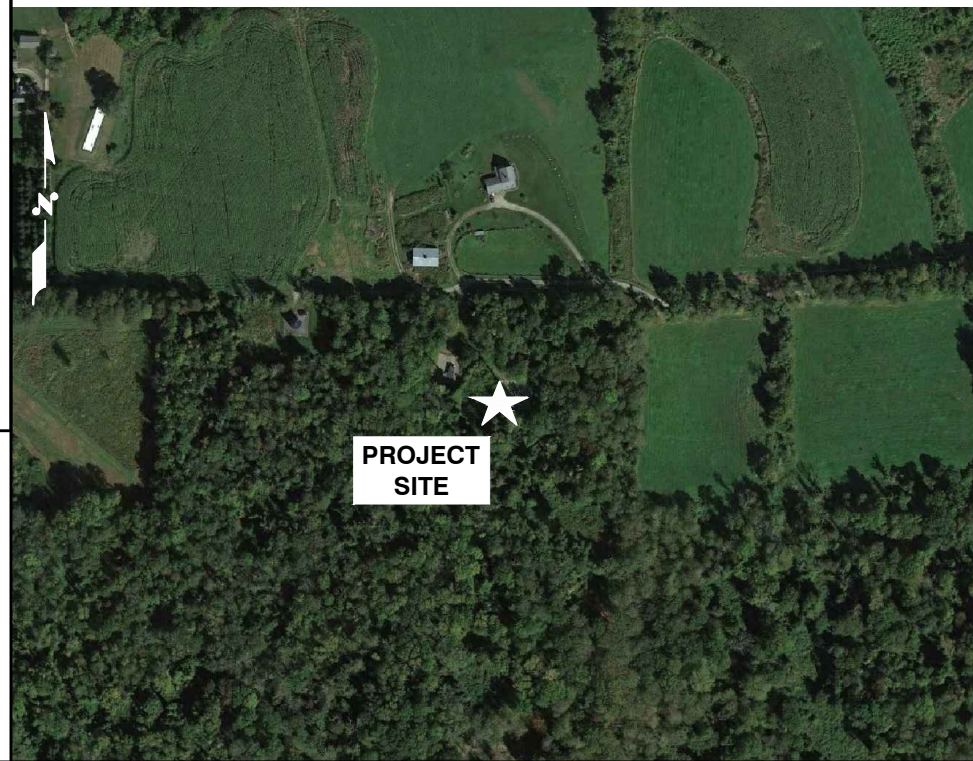
DRAWING INDEX

SHEET NO.	DESCRIPTION	REV.
T-1	TITLE SHEET	2
GN-1	GENERAL NOTES	2
A-1	COMPOUND & EQUIPMENT PLAN	2
A-2	ANTENNA LAYOUTS	2
A-3	ELEVATION	2
A-4	DETAILS	2
SN-1	STRUCTURAL NOTES	2
S-1	MOUNT MODIFICATION DESIGN	2
RF-1	RF-PLUMBING DIAGRAM	2
G-1	GROUNDING DETAILS	2

VICINITY MAP

DIRECTIONS TO SITE:

I -84 EAST TO I-384 EAST TO RT 44 EAST TO POMFRET. TAKE RIGHT ON TO RT 44 AT INTERSECTION WITH RT 169 (BLINKING LIGHT) AND CONTINUE EAST. TYRONE ROAD WILL BE ON YOUR RIGHT. TAKE RIGHT ON TYRONE RD.. FOLLOW TO MAILBOX FOR 82 TYRONE RD SITE IS AT TOP OF DRIVEWAY ON LEFT, WE ARE THE ONLY CARRIER ON THIS TOWER. GROUND LEVEL SHELTER. GATE COMBO IS 0043



GENERAL NOTES

1. THIS DOCUMENT IS THE CREATION, DESIGN, PROPERTY AND COPYRIGHTED WORK OF AT&T. ANY DUPLICATION OR USE WITHOUT EXPRESS WRITTEN CONSENT IS STRICTLY PROHIBITED. DUPLICATION AND USE BY GOVERNMENT AGENCIES FOR THE PURPOSES OF CONDUCTING THEIR LAWFULLY AUTHORIZED REGULATORY AND ADMINISTRATIVE FUNCTIONS IS SPECIFICALLY ALLOWED.
2. THE FACILITY IS AN UNMANNED PRIVATE AND SECURED EQUIPMENT INSTALLATION. IT IS ONLY ACCESSED BY TRAINED TECHNICIANS FOR PERIODIC ROUTINE MAINTENANCE AND THEREFORE DOES NOT REQUIRE ANY WATER OR SANITARY SEWER SERVICE. THE FACILITY IS NOT GOVERNED BY REGULATIONS REQUIRING PUBLIC ACCESS PER ADA REQUIREMENTS.
3. CONTRACTOR SHALL VERIFY ALL PLANS AND EXISTING DIMENSIONS AND CONDITIONS ON THE JOB SITE AND SHALL IMMEDIATELY NOTIFY THE AT&T MOBILITY REPRESENTATIVE IN WRITING OF DISCREPANCIES BEFORE PROCEEDING WITH THE WORK OR BE RESPONSIBLE FOR SAME.
4. CONSTRUCTION DRAWINGS ARE VALID FOR SIX MONTHS AFTER ENGINEER OF RECORD'S STAMPED AND SIGNED SUBMITTAL DATE LISTED HEREIN.

72 HOURS



CALL BEFORE YOU DIG



CALL TOLL FREE 1-800-922-4455
OR CALL 811

UNDERGROUND SERVICE ALERT

CCI SITE #: 841292
CCI SITE NAME: POMFRET-TYRONE RD



SITE NUMBER: CT1050
SITE NAME: POMFRET-TYRONE RD
CCI SITE NUMBER: 841292

82 TYRONE ROAD
POMFRET, CT 06258
WINDHAM COUNTY



NO.	DATE	REVISIONS	BY	CHK	APP'D
2	06/21/19	ISSUED FOR CONSTRUCTION	AM	AT	DJC
1	04/02/18	ISSUED FOR CONSTRUCTION	EB	AT	DJC
B	03/22/18	ISSUED FOR PERMITTING	MR	AT	DJC
A	02/06/18	ISSUED FOR REVIEW	TB	AT	DJC

SCALE: AS SHOWN DESIGNED BY: AT DRAWN BY: TB

AT&T

TITLE SHEET
(LTE 3C_4C_5C & ANTENNA MODIFICATIONS)

SITE NUMBER	DRAWING NUMBER	REV
CT1050	T-1	2

GROUNDING NOTES

1. THE SUBCONTRACTOR SHALL REVIEW AND INSPECT THE EXISTING FACILITY GROUNDING SYSTEM AND LIGHTNING PROTECTION SYSTEM (AS DESIGNED AND INSTALLED) FOR STRICT COMPLIANCE WITH THE NEC (AS ADOPTED BY THE AHJ), THE SITE-SPECIFIC (UL, LPI, OR NFPA) LIGHTING PROTECTION CODE, AND GENERAL COMPLIANCE WITH TELCORDIA AND TIA GROUNDING STANDARDS. THE SUBCONTRACTOR SHALL REPORT ANY VIOLATIONS OR ADVERSE FINDINGS TO THE CONTRACTOR FOR RESOLUTION.
2. ALL GROUND ELECTRODE SYSTEMS (INCLUDING TELECOMMUNICATION, RADIO, LIGHTNING PROTECTION, AND AC POWER GES'S) SHALL BE BONDED TOGETHER, AT OR BELOW GRADE, BY TWO OR MORE COPPER BONDING CONDUCTORS IN ACCORDANCE WITH THE NEC.
3. THE SUBCONTRACTOR SHALL PERFORM IEEE FALL-OF-POTENTIAL RESISTANCE TO EARTH TESTING (PER IEEE 1100 AND 81) FOR NEW GROUND ELECTRODE SYSTEMS. THE SUBCONTRACTOR SHALL FURNISH AND INSTALL SUPPLEMENTAL GROUND ELECTRODES AS NEEDED TO ACHIEVE A TEST RESULT OF 5 OHMS OR LESS.
4. METAL RACEWAY SHALL NOT BE USED AS THE NEC REQUIRED EQUIPMENT GROUND CONDUCTOR. STRANDED COPPER CONDUCTORS WITH GREEN INSULATION, SIZED IN ACCORDANCE WITH THE NEC, SHALL BE FURNISHED AND INSTALLED WITH THE POWER CIRCUITS TO BTS EQUIPMENT.
5. EACH BTS CABINET FRAME SHALL BE DIRECTLY CONNECTED TO THE MASTER GROUND BAR WITH GREEN INSULATED SUPPLEMENTAL EQUIPMENT GROUND WIRES, 6 AWG STRANDED COPPER OR LARGER FOR INDOOR BTS 2 AWG STRANDED COPPER FOR OUTDOOR BTS.
6. EXOTHERMIC WELDS SHALL BE USED FOR ALL GROUNDING CONNECTIONS BELOW GRADE.
7. APPROVED ANTIOXIDANT COATINGS (I.E., CONDUCTIVE GEL OR PASTE) SHALL BE USED ON ALL COMPRESSION AND BOLTED GROUND CONNECTIONS.
8. ICE BRIDGE BONDING CONDUCTORS SHALL BE EXOTHERMICALLY BONDED OR BOLTED TO GROUND BAR.
9. ALUMINUM CONDUCTOR OR COPPER CLAD STEEL CONDUCTOR SHALL NOT BE USED FOR GROUNDING CONNECTIONS.
10. MISCELLANEOUS ELECTRICAL AND NON-ELECTRICAL METAL BOXES, FRAMES AND SUPPORTS SHALL BE BONDED TO THE GROUND RING, IN ACCORDANCE WITH THE NEC.
11. METAL CONDUIT SHALL BE MADE ELECTRICALLY CONTINUOUS WITH LISTED BONDING FITTINGS OR BY BONDING ACROSS THE DISCONTINUITY WITH 6 AWS COPPER WIRE UL APPROVED GROUNDING TYPE CONDUIT CLAMPS.
12. ALL NEW STRUCTURES WITH A FOUNDATION AND/OR FOOTING HAVING 20 FT. OR MORE OF 1/2 IN. OR GREATER ELECTRICALLY CONDUCTIVE REINFORCING STEEL MUST HAVE IT BONDED TO THE GROUND RING USING AN EXOTHERMIC WELD CONNECTION USING #2 AWG SOLID BARE TINNED COPPER GROUND WIRE, PER NEC 250.50

GENERAL NOTES

1. FOR THE PURPOSE OF CONSTRUCTION DRAWING, THE FOLLOWING DEFINITIONS SHALL APPLY:
 CONTRACTOR – SAI
 SUBCONTRACTOR – GENERAL CONTRACTOR (CONSTRUCTION)
 OWNER – AT&T MOBILITY
2. PRIOR TO THE SUBMISSION OF BIDS, THE BIDDING SUBCONTRACTOR SHALL VISIT THE CELL SITE TO FAMILIARIZE WITH THE EXISTING CONDITIONS AND TO CONFIRM THAT THE WORK CAN BE ACCOMPLISHED AS SHOWN ON THE CONSTRUCTION DRAWINGS. ANY DISCREPANCY FOUND SHALL BE BROUGHT TO THE ATTENTION OF CONTRACTOR.
3. ALL MATERIALS FURNISHED AND INSTALLED SHALL BE IN STRICT ACCORDANCE WITH ALL APPLICABLE CODES, REGULATIONS, AND ORDINANCES. SUBCONTRACTOR SHALL ISSUE ALL APPROPRIATE NOTICES AND COMPLY WITH ALL LAWS, ORDINANCES, RULES, REGULATIONS, AND LAWFUL ORDERS OF ANY PUBLIC AUTHORITY REGARDING THE PERFORMANCE OF THE WORK. ALL WORK CARRIED OUT SHALL COMPLY WITH ALL APPLICABLE MUNICIPAL AND UTILITY COMPANY SPECIFICATIONS AND LOCAL JURISDICTIONAL CODES, ORDINANCES AND APPLICABLE REGULATIONS.
4. DRAWINGS PROVIDED HERE ARE NOT TO BE SCALED AND ARE INTENDED TO SHOW OUTLINE ONLY.
5. UNLESS NOTED OTHERWISE, THE WORK SHALL INCLUDE FURNISHING MATERIALS, EQUIPMENT, APPURTENANCES, AND LABOR NECESSARY TO COMPLETE ALL INSTALLATIONS AS INDICATED ON THE DRAWINGS.
6. "KITTING LIST" SUPPLIED WITH THE BID PACKAGE IDENTIFIES ITEMS THAT WILL BE SUPPLIED BY CONTRACTOR. ITEMS NOT INCLUDED IN THE BILL OF MATERIALS AND KITTING LIST SHALL BE SUPPLIED BY THE SUBCONTRACTOR.
7. THE SUBCONTRACTOR SHALL INSTALL ALL EQUIPMENT AND MATERIALS IN ACCORDANCE WITH MANUFACTURER'S RECOMMENDATIONS UNLESS SPECIFICALLY STATED OTHERWISE.
8. IF THE SPECIFIED EQUIPMENT CANNOT BE INSTALLED AS SHOWN ON THESE DRAWINGS, THE SUBCONTRACTOR SHALL PROPOSE AN ALTERNATIVE INSTALLATION SPACE FOR APPROVAL BY THE CONTRACTOR.
9. SUBCONTRACTOR SHALL DETERMINE ACTUAL ROUTING OF CONDUIT, POWER AND T1 CABLES, GROUNDING CABLES AS SHOWN ON THE POWER, GROUNDING AND TELCO PLAN DRAWING. SUBCONTRACTOR SHALL UTILIZE EXISTING TRAYS AND/OR SHALL ADD NEW TRAYS AS NECESSARY. SUBCONTRACTOR SHALL CONFIRM THE ACTUAL ROUTING WITH THE CONTRACTOR.
10. THE SUBCONTRACTOR SHALL PROTECT EXISTING IMPROVEMENTS, PAVEMENTS, CURBS, LANDSCAPING AND STRUCTURES. ANY DAMAGED PART SHALL BE REPAIRED AT SUBCONTRACTOR'S EXPENSE TO THE SATISFACTION OF OWNER.
11. SUBCONTRACTOR SHALL LEGALLY AND PROPERLY DISPOSE OF ALL SCRAP MATERIALS SUCH AS COAXIAL CABLES AND OTHER ITEMS REMOVED FROM THE EXISTING FACILITY. ANTENNAS REMOVED SHALL BE RETURNED TO THE OWNER'S DESIGNATED LOCATION.
12. SUBCONTRACTOR SHALL LEAVE PREMISES IN CLEAN CONDITION.
13. ALL CONCRETE REPAIR WORK SHALL BE DONE IN ACCORDANCE WITH AMERICAN CONCRETE INSTITUTE (ACI) 301.

14. ANY NEW CONCRETE NEEDED FOR THE CONSTRUCTION SHALL BE AIR-ENTRAINED AND SHALL HAVE 4000 PSI STRENGTH AT 28 DAYS. ALL CONCRETE WORK SHALL BE DONE IN ACCORDANCE WITH ACI 318 CODE REQUIREMENTS.
15. ALL STRUCTURAL STEEL WORK SHALL BE DETAILED, FABRICATED AND ERECTED IN ACCORDANCE WITH AISC SPECIFICATIONS. ALL STRUCTURAL STEEL SHALL BE ASTM A36 (Fy = 36 ksi) UNLESS OTHERWISE NOTED. PIPES SHALL BE ASTM A53 TYPE E (Fy = 36 ksi). ALL STEEL EXPOSED TO WEATHER SHALL BE HOT DIPPED GALVANIZED. TOUCHUP ALL SCRATCHES AND OTHER MARKS IN THE FIELD AFTER STEEL IS ERECTED USING A COMPATIBLE ZINC RICH PAINT.
16. CONSTRUCTION SHALL COMPLY WITH SPECIFICATIONS AND "GENERAL CONSTRUCTION SERVICES FOR CONSTRUCTION OF AT&T SITES."
17. SUBCONTRACTOR SHALL VERIFY ALL EXISTING DIMENSIONS AND CONDITIONS PRIOR TO COMMENCING ANY WORK. ALL DIMENSIONS OF EXISTING CONSTRUCTION SHOWN ON THE DRAWINGS MUST BE VERIFIED. SUBCONTRACTOR SHALL NOTIFY THE CONTRACTOR OF ANY DISCREPANCIES PRIOR TO ORDERING MATERIAL OR PROCEEDING WITH CONSTRUCTION.
18. THE EXISTING CELL SITE IS IN FULL COMMERCIAL OPERATION. ANY CONSTRUCTION WORK BY SUBCONTRACTOR SHALL NOT DISRUPT THE EXISTING NORMAL OPERATION. ANY WORK ON EXISTING EQUIPMENT MUST BE COORDINATED WITH CONTRACTOR. ALSO, WORK SHOULD BE SCHEDULED FOR AN APPROPRIATE MAINTENANCE WINDOW USUALLY IN LOW TRAFFIC PERIODS AFTER MIDNIGHT.
19. SINCE THE CELL SITE IS ACTIVE, ALL SAFETY PRECAUTIONS MUST BE TAKEN WHEN WORKING AROUND HIGH LEVELS OF ELECTROMAGNETIC RADIATION. EQUIPMENT SHOULD BE SHUTDOWN PRIOR TO PERFORMING ANY WORK THAT COULD EXPOSE THE WORKERS TO DANGER. PERSONAL RF EXPOSURE MONITORS ARE ADVISED TO BE WORN TO ALERT OF ANY DANGEROUS EXPOSURE LEVELS.
20. APPLICABLE BUILDING CODES:
 SUBCONTRACTOR'S WORK SHALL COMPLY WITH ALL APPLICABLE NATIONAL, STATE, AND LOCAL CODES AS ADOPTED BY THE LOCAL AUTHORITY HAVING JURISDICTION (AHJ) FOR THE LOCATION. THE EDITION OF THE AHJ ADOPTED CODES AND STANDARDS IN EFFECT ON THE DATE OF CONTRACT AWARD SHALL GOVERN THE DESIGN.

BUILDING CODE: IBC 2015 WITH 2018 CT STATE BUILDING CODE AMENDMENTS
 ELECTRICAL CODE: 2017 NATIONAL ELECTRICAL CODE (NFPA 70-2017)

SUBCONTRACTOR'S WORK SHALL COMPLY WITH THE LATEST EDITION OF THE FOLLOWING STANDARDS:

AMERICAN CONCRETE INSTITUTE (ACI) 318; BUILDING CODE REQUIREMENTS FOR STRUCTURAL CONCRETE;

AMERICAN INSTITUTE OF STEEL CONSTRUCTION (AISC) MANUAL OF STEEL CONSTRUCTION, ASD, FOURTEENTH EDITION;

TELECOMMUNICATIONS INDUSTRY ASSOCIATION (TIA) 222-G, STRUCTURAL STANDARDS FOR STEEL

FOR ANY CONFLICTS BETWEEN SECTIONS OF LISTED CODES AND STANDARDS REGARDING MATERIAL, METHODS OF CONSTRUCTION, OR OTHER REQUIREMENTS, THE MOST RESTRICTIVE REQUIREMENT SHALL GOVERN. WHERE THERE IS CONFLICT BETWEEN A GENERAL REQUIREMENT AND A SPECIFIC REQUIREMENT, THE SPECIFIC REQUIREMENT SHALL GOVERN.

ABBREVIATIONS

AGL	ABOVE GRADE LEVEL	EQ	EQUAL	REQ	REQUIRED
AWG	AMERICAN WIRE GAUGE	GC	GENERAL CONTRACTOR	RF	RADIO FREQUENCY
BBU	BATTERY BACKUP UNIT	GRC	GALVANIZED RIGID CONDUIT	TBD	TO BE DETERMINED
BTCW	BARE TINNED SOLID COPPER WIRE	MGB	MASTER GROUND BAR	TBR	TO BE REMOVED
BGR	BURIED GROUND RING	MIN	MINIMUM	TBRR	TO BE REMOVED AND REPLACED
BTS	BASE TRANSCEIVER STATION	P	PROPOSED	TYP	TYPICAL
E	EXISTING	NTS	NOT TO SCALE	UG	UNDER GROUND
EGB	EQUIPMENT GROUND BAR	RAD	RADIATION CENTER LINE (ANTENNA)	VIF	VERIFY IN FIELD
EGR	EQUIPMENT GROUND RING	REF	REFERENCE		



45 BEECHWOOD DRIVE
 NORTH ANDOVER, MA 01845
 TEL: (978) 557-5553
 FAX: (978) 336-5586



12 INDUSTRIAL WAY
 SALEM, NH 03079

SITE NUMBER: CT1050
 SITE NAME: POMFRET-TYRONE RD
 CCI SITE NUMBER: 841292

82 TYRONE ROAD
 POMFRET, CT 06258
 WINDHAM COUNTY



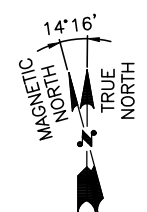
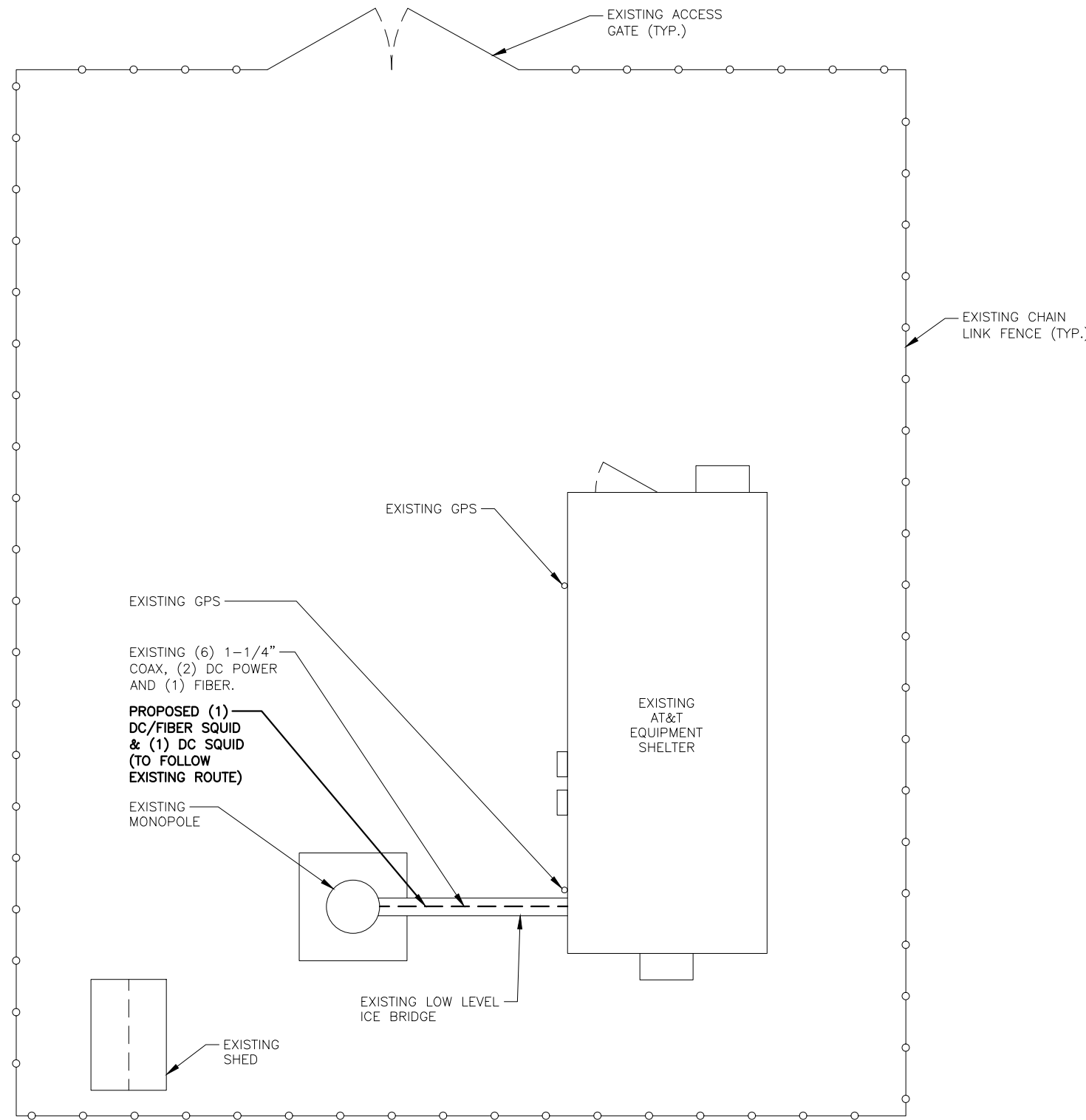
500 ENTERPRISE DRIVE, SUITE 3A
 ROCKY HILL, CT 06067

2	06/21/19	ISSUED FOR CONSTRUCTION	AM	AT	DJC
1	04/02/18	ISSUED FOR CONSTRUCTION	EB	AT	DJC
B	03/22/18	ISSUED FOR PERMITTING	MR	AT	DJC
A	02/06/18	ISSUED FOR REVIEW	TB	AT	DJC
NO.	DATE	REVISIONS	BY	CHK	APP'D
SCALE: AS SHOWN		DESIGNED BY: AT	DRAWN BY: TB		

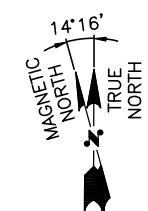
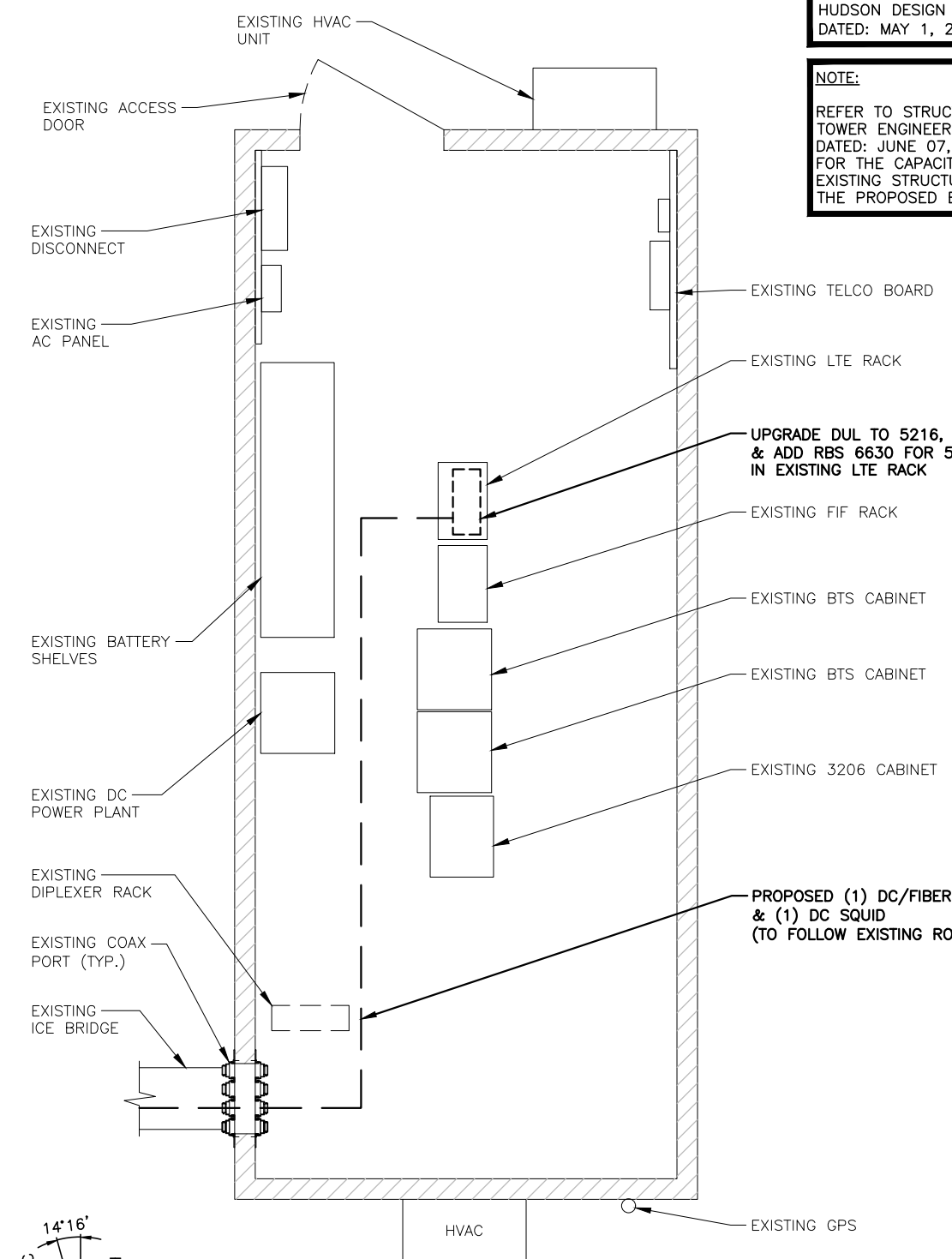
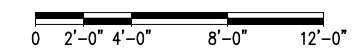
AT&T

GENERAL NOTES
 (LTE 3C_4C_5C & ANTENNA MODIFICATIONS)

SITE NUMBER	DRAWING NUMBER	REV
CT1050	GN-1	2



COMPOUND PLAN
 22x34 SCALE: 1/4"=1'-0"
 11x17 SCALE: 1/8"=1'-0"



EQUIPMENT PLAN
 22x34 SCALE: 1/2"=1'-0"
 11x17 SCALE: 1/4"=1'-0"

NOTE:
 REFER TO THE FINAL RF DATA SHEET FOR FINAL ANTENNA SETTINGS.

NOTE:
 AN ANALYSIS FOR THE CAPACITY OF THE EXISTING **ANTENNA MOUNT** TO SUPPORT THE PROPOSED LOADING HAS BEEN COMPLETED BY: HUDSON DESIGN GROUP, LLC. DATED: MAY 1, 2019 (REV.3)

NOTE:
 REFER TO STRUCTURAL ANALYSIS BY: TOWER ENGINEERING PROFESSIONALS DATED: JUNE 07, 2019, FOR THE CAPACITY OF THE EXISTING STRUCTURES TO SUPPORT THE PROPOSED EQUIPMENT.

HGD HUDSON Design Group LLC
 45 BEECHWOOD DRIVE NORTH ANDOVER, MA 01845
 TEL: (978) 557-5553 FAX: (978) 336-5586

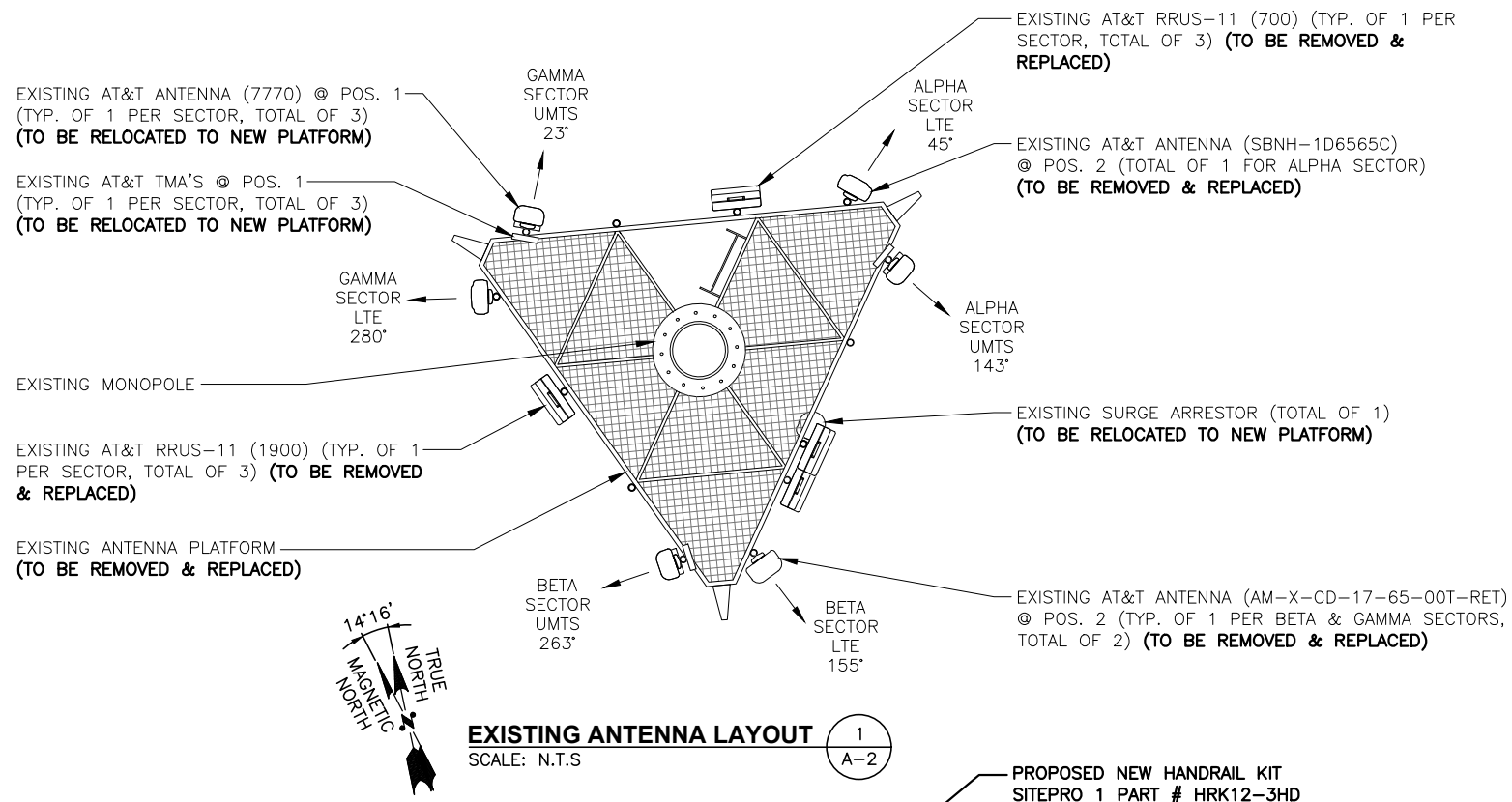
S&I
 12 INDUSTRIAL WAY SALEM, NH 03079

SITE NUMBER: CT1050
SITE NAME: POMFRET-TYRONE RD
CCI SITE NUMBER: 841292
 82 TYRONE ROAD POMFRET, CT 06258 WINDHAM COUNTY

at&t
 500 ENTERPRISE DRIVE, SUITE 3A ROCKY HILL, CT 06067

2	06/21/19	ISSUED FOR CONSTRUCTION	AM	AT	DJC
1	04/02/18	ISSUED FOR CONSTRUCTION	EB	AT	DJC
B	03/22/18	ISSUED FOR PERMITTING	MR	AT	DJC
A	02/06/18	ISSUED FOR REVIEW	TB	AT	DJC
NO.	DATE	REVISIONS	BY	CHK	APP'D
SCALE: AS SHOWN		DESIGNED BY: AT	DRAWN BY: TB		

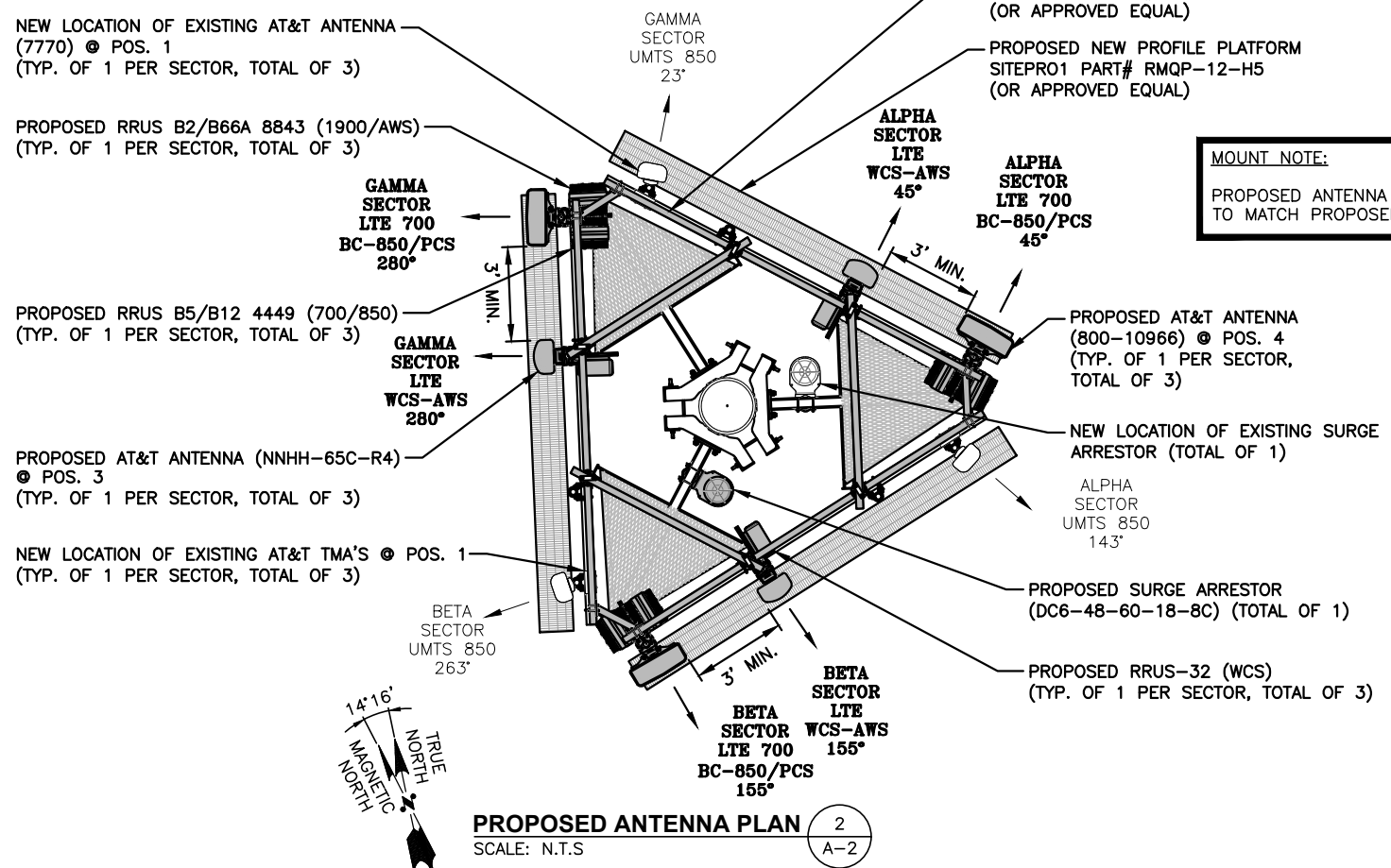
AT&T		
COMPOUND & EQUIPMENT PLAN (LTE 3C_4C_5C & ANTENNA MODIFICATIONS)		
SITE NUMBER	DRAWING NUMBER	REV
CT1050	A-1	2



NOTE:
REFER TO THE FINAL RF DATA SHEET FOR FINAL ANTENNA SETTINGS.

NOTE:
AN ANALYSIS FOR THE CAPACITY OF THE EXISTING **ANTENNA MOUNT** TO SUPPORT THE PROPOSED LOADING HAS BEEN COMPLETED BY: HUDSON DESIGN GROUP, LLC. DATED: MAY 1, 2019 (REV.3)

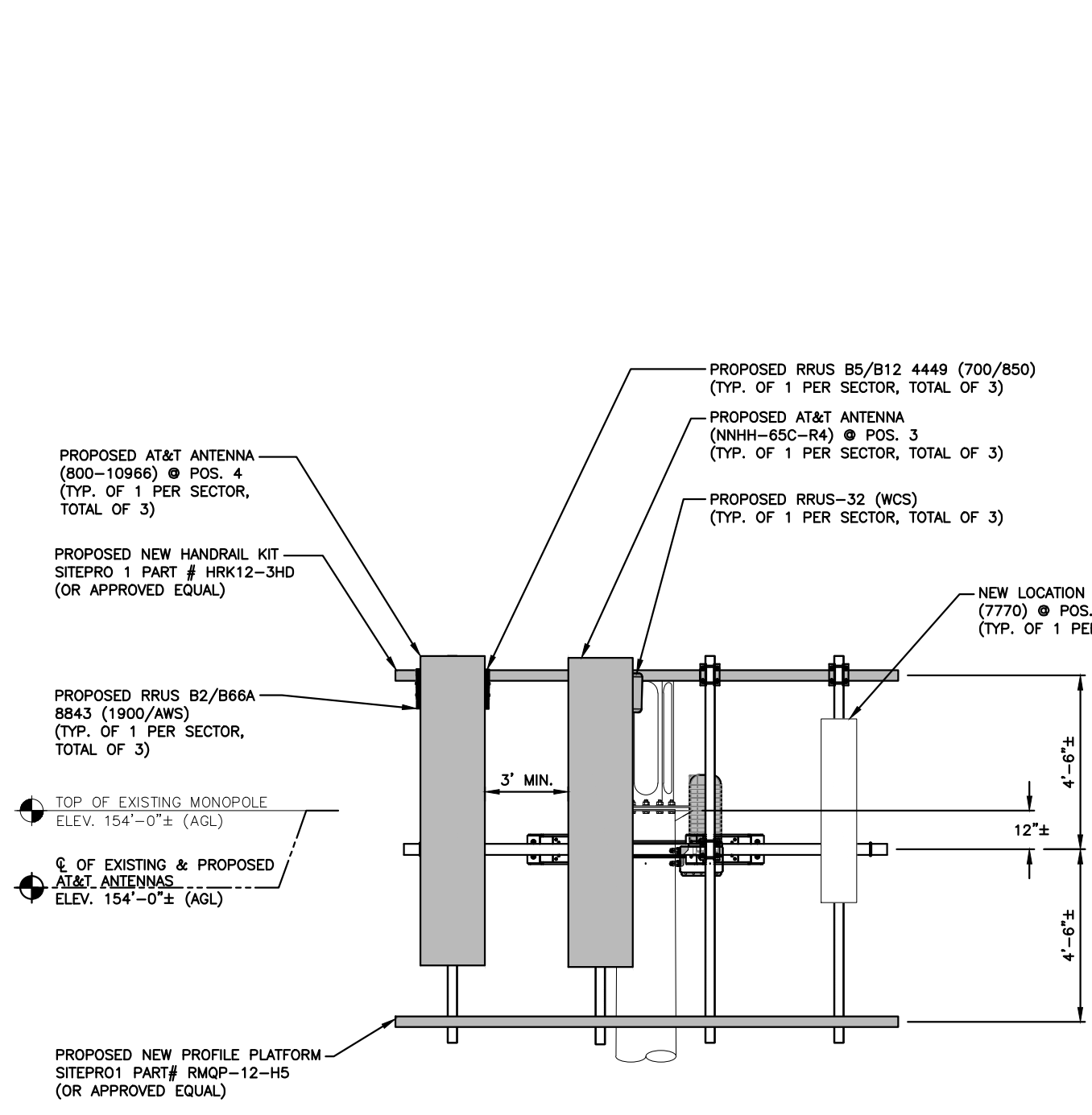
NOTE:
REFER TO STRUCTURAL ANALYSIS BY: TOWER ENGINEERING PROFESSIONALS DATED: JUNE 07, 2019, FOR THE CAPACITY OF THE EXISTING STRUCTURES TO SUPPORT THE PROPOSED EQUIPMENT.



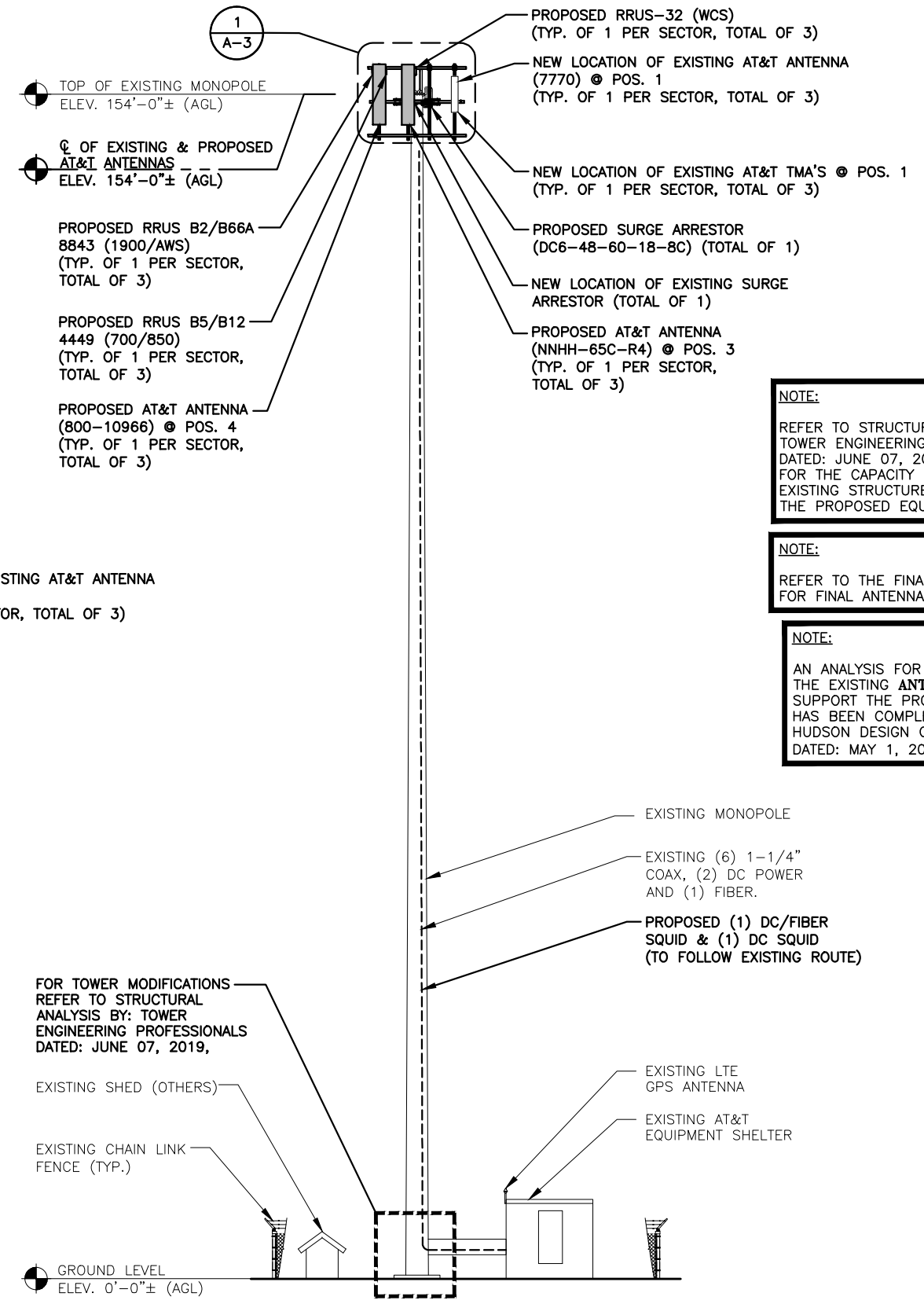
MOUNT NOTE:
PROPOSED ANTENNA PLATFORM TO BE ROTATED TO MATCH PROPOSED LTE ANTENNAS AZIMUTHS.

2	06/21/19	ISSUED FOR CONSTRUCTION	AM	AT	DJC
1	04/02/18	ISSUED FOR CONSTRUCTION	EB	AT	DJC
B	03/22/18	ISSUED FOR PERMITTING	MR	AT	DJC
A	02/06/18	ISSUED FOR REVIEW	TB	AT	DJC
NO.	DATE	REVISIONS	BY	CHK	APP'D
SCALE: AS SHOWN		DESIGNED BY: AT	DRAWN BY: TB		

AT&T		
ANTENNA LAYOUTS (LTE 3C_4C_5C & ANTENNA MODIFICATIONS)		
SITE NUMBER	DRAWING NUMBER	REV
CT1050	A-2	2



PROPOSED ELEVATION 1 A-3
 22x34 SCALE: 1/2"=1'-0"
 11x17 SCALE: 1/4"=1'-0"
 0 1'-0" 2'-0" 4'-0" 6'-0"



ELEVATION 2 A-3
 22x34 SCALE: 1"=10'
 11x17 SCALE: 1"=20'
 0 5' 10' 20' 30'

NOTE:
 REFER TO STRUCTURAL ANALYSIS BY: TOWER ENGINEERING PROFESSIONALS DATED: JUNE 07, 2019, FOR THE CAPACITY OF THE EXISTING STRUCTURES TO SUPPORT THE PROPOSED EQUIPMENT.

NOTE:
 REFER TO THE FINAL RF DATA SHEET FOR FINAL ANTENNA SETTINGS.

NOTE:
 AN ANALYSIS FOR THE CAPACITY OF THE EXISTING ANTENNA MOUNT TO SUPPORT THE PROPOSED LOADING HAS BEEN COMPLETED BY: HUDSON DESIGN GROUP, LLC. DATED: MAY 1, 2019 (REV.3)

2	06/21/19	ISSUED FOR CONSTRUCTION	AM	AT	DJC
1	04/02/18	ISSUED FOR CONSTRUCTION	EB	AT	DJC
B	03/22/18	ISSUED FOR PERMITTING	MR	AT	DJC
A	02/06/18	ISSUED FOR REVIEW	TB	AT	DJC
NO.	DATE	REVISIONS	BY	CHK	APP'D
SCALE: AS SHOWN			DESIGNED BY: AT	DRAWN BY: TB	

AT&T		
ELEVATION (LTE 3C_4C_5C & ANTENNA MODIFICATIONS)		
SITE NUMBER	DRAWING NUMBER	REV
CT1050	A-3	2

NOTE:
AN ANALYSIS FOR THE CAPACITY OF THE EXISTING ANTENNA MOUNT TO SUPPORT THE PROPOSED LOADING HAS BEEN COMPLETED BY: HUDSON DESIGN GROUP, LLC. DATED: MAY 1, 2019 (REV.3)

NOTE:
REFER TO THE FINAL RF DATA SHEET FOR FINAL ANTENNA SETTINGS.

NOTE:
REFER TO STRUCTURAL ANALYSIS BY: TOWER ENGINEERING PROFESSIONALS DATED: JUNE 07, 2019, FOR THE CAPACITY OF THE EXISTING STRUCTURES TO SUPPORT THE PROPOSED EQUIPMENT.

PROPOSED AT&T ANTENNA (800-10966)
● POS. 4 (TYP. OF 1 PER SECTOR, TOTAL OF 3)

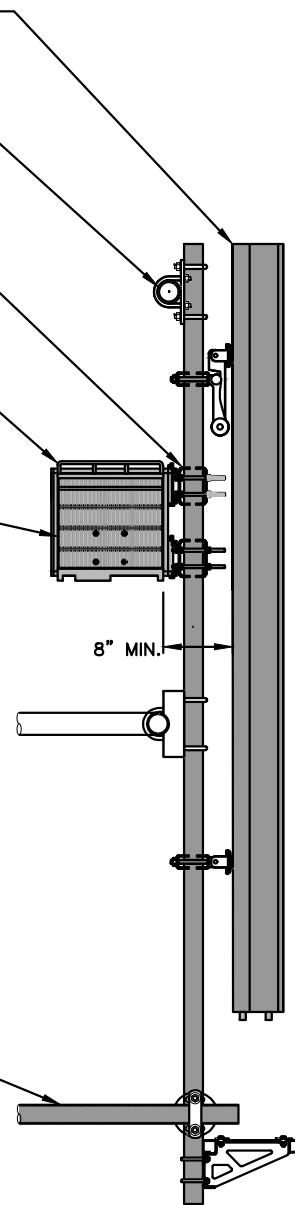
PROPOSED NEW HANDRAIL KIT
SITEPRO 1 PART # HRK12-3HD (OR APPROVED EQUAL)

PROPOSED RRU BACK TO BACK MOUNT BRACKET PART# SXX1250461/1 (OR APPROVED EQUAL)

PROPOSED AT&T B2/B66A 8843 (1900/AWS) MOUNTED ON PROPOSED BACK TO BACK MOUNT (TYP. OF 1 PER SECTOR, TOTAL OF 3)

PROPOSED AT&T B5/B12 4449 (700/850) MOUNTED ON PROPOSED BACK TO BACK MOUNT (TYP. OF 1 PER SECTOR, TOTAL OF 3)

PROPOSED NEW PROFILE PLATFORM
SITEPRO1 PART# RMQP-12-H5 (OR APPROVED EQUAL)



☉ OF EXISTING & PROPOSED AT&T ANTENNAS
ELEV. = 154'-0"± A.G.L.



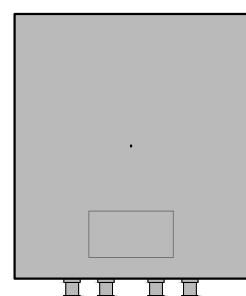
NOTE:
SEE RFDS FOR RRH FREQUENCY AND MODEL NUMBER

PROPOSED RRU REFER TO THE FINAL RFDS AND CHART FOR QUANTITY, MODEL AND DIMENSIONS

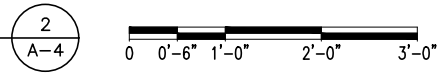
NOTE:
MOUNT PER MANUFACTURER'S SPECIFICATIONS.

RRU CHART				
QUANTITY	MODEL	L	W	D
3(P)	RRUS-32 (WCS)	27.2"	12.1"	7.0"
3(P)	B2/B66 8843 (1900/AWS)	14.9"	13.2"	10.9"
3(P)	B5/B12 4449 (700/850)	14.9"	13.2"	10.4"

NOTE:
MOUNT PER MANUFACTURER'S SPECIFICATIONS

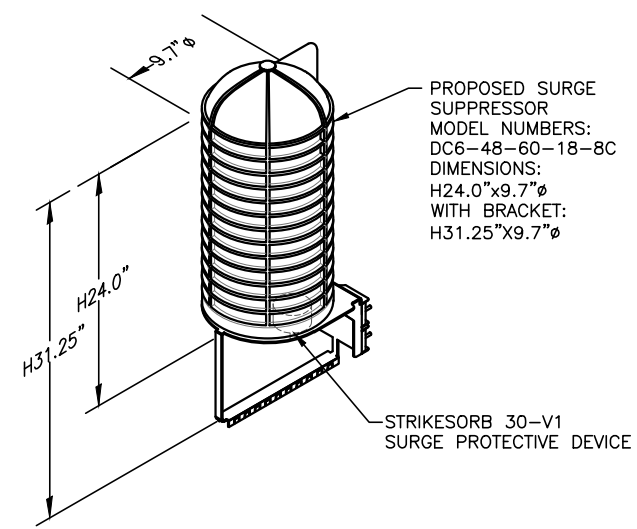


PROPOSED ANTENNA & RRU MOUNTING DETAIL
22x34 SCALE: 1"=1'-0"
11x17 SCALE: 1/2"=1'-0"

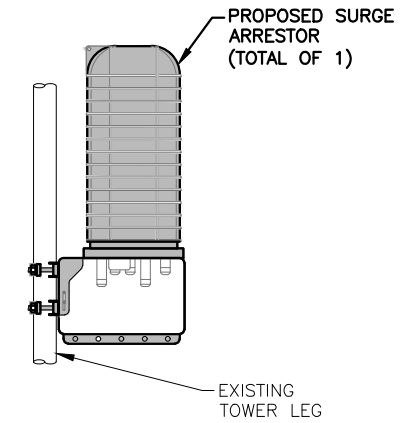


PROPOSED RRUS DETAIL
SCALE: N.T.S.

FINAL ANTENNA CONFIGURATION
SCALE: N.T.S.



NOTE:
MOUNT PER MANUFACTURER'S SPECIFICATIONS.



DC SURGE SUPPRESSOR DETAIL
SCALE: N.T.S.

PROPOSED SURGE ARRESTOR MOUNTING DETAIL
SCALE: N.T.S.

ANTENNA SCHEDULE											
SECTOR	EXISTING/PROPOSED	BAND	ANTENNA	SIZE (INCHES) (L x W x D)	ANTENNA ☉ HEIGHT	AZIMUTH	TMA/DIPLEXER	RRU	SIZE (INCHES) (L x W x D)	FEEDER	RAYCAP
A1	EXISTING	UMTS 850	7770	55X11X5	±154'	143°	(1)(E)(G) DBC2055F1V1-2 (1)(E) DTMAPB7819VG12A	--	--	(2) 1-1/4 COAX (LENGTH 190'±)	(E) (1) RAYCAP DC6-48-60-18-8C
A2	--	--	--	--	--	--	--	--	--	--	
A3	PROPOSED	LTE WCS-AWS	NNHH-65C-R4	96X19.6X7.8	±154'	45°	--	(P)(1) RRUS-32 (WCS)	27.2x12.1x7.0	--	
A4	PROPOSED	LTE 700 BC-850/PCS	800-10966	96X20X6.9	±154'	45°	--	(P)(1) B2/B66 8843 (1900/AWS) (P)(1) B5/B12 4449 (700/850)	14.9x13.2x10.9 14.9x13.2x10.4	--	
B1	EXISTING	UMTS 850	7770	55X11X5	±154'	263°	(1)(E)(G) DBC2055F1V1-2 (1)(E) DTMAPB7819VG12A	--	--	(2) 1-1/4 COAX (LENGTH 190'±)	(P) (1) RAYCAP DC6-48-60-18-8C
B2	--	--	--	--	--	--	--	--	--	--	
B3	PROPOSED	LTE WCS-AWS	NNHH-65C-R4	96X19.6X7.8	±154'	155°	--	(P)(1) RRUS-32 (WCS)	27.2x12.1x7.0	--	
B4	PROPOSED	LTE 700 BC-850/PCS	800-10966	96X20X6.9	±154'	155°	--	(P)(1) B2/B66 8843 (1900/AWS) (P)(1) B5/B12 4449 (700/850)	14.9x13.2x10.9 14.9x13.2x10.4	--	
C1	EXISTING	UMTS 850	7770	55X11X5	±154'	23°	(1)(E)(G) DBC2055F1V1-2 (1)(E) DTMAPB7819VG12A	--	--	(2) 1-1/4 COAX (LENGTH 190'±)	SHARED
C2	--	--	--	--	--	--	--	--	--	--	
C3	PROPOSED	LTE WCS-AWS	NNHH-65C-R4	96X19.6X7.8	±154'	280°	--	(P)(1) RRUS-32 (WCS)	27.2x12.1x7.0	--	
C4	PROPOSED	LTE 700 BC-850/PCS	800-10966	96X20X6.9	±154'	280°	--	(P)(1) B2/B66 8843 (1900/AWS) (P)(1) B5/B12 4449 (700/850)	14.9x13.2x10.9 14.9x13.2x10.4	--	

STRUCTURAL NOTES:

- DESIGN REQUIREMENTS ARE PER STATE BUILDING CODE AND APPLICABLE SUPPLEMENTS, INTERNATIONAL BUILDING CODE, EIA/TIA-222-G STRUCTURAL STANDARDS FOR STEEL ANTENNA, TOWERS AND ANTENNA SUPPORTING STRUCTURES.
- CONTRACTOR SHALL VERIFY ALL DIMENSIONS AND CONDITIONS IN THE FIELD PRIOR TO FABRICATION AND ERECTION OF ANY MATERIAL. ANY UNUSUAL CONDITIONS SHALL BE REPORTED TO THE ATTENTION OF THE CONSTRUCTION MANAGER AND ENGINEER OF RECORD.
- DESIGN AND CONSTRUCTION OF STRUCTURAL STEEL SHALL CONFORM TO THE AMERICAN INSTITUTE OF STEEL CONSTRUCTION "SPECIFICATION FOR THE DESIGN, FABRICATION AND ERECTION OF STRUCTURAL STEEL FOR BUILDINGS".
- STRUCTURAL STEEL SHALL CONFORM TO ASTM A992 (Fy=50 ksi), MISCELLANEOUS STEEL SHALL CONFORM TO ASTM A36 UNLESS OTHERWISE INDICATED.
- STEEL PIPE SHALL CONFORM TO ASTM A500 "COLD-FORMED WELDED & SEAMLESS CARBON STEEL STRUCTURAL TUBING", GRADE B, OR ASTM A53 PIPE STEEL BLACK AND HOT-DIPPED ZINC-COATED WELDED AND SEAMLESS TYPE E OR S, GRADE B. PIPE SIZES INDICATED ARE NOMINAL. ACTUAL OUTSIDE DIAMETER IS LARGER.
- STRUCTURAL CONNECTION BOLTS SHALL BE HIGH STRENGTH BOLTS (BEARING TYPE) AND CONFORM TO ASTM A325 TYPE-X "HIGH STRENGTH BOLTS FOR STRUCTURAL JOINTS, INCLUDING SUITABLE NUTS AND PLAIN HARDENED WASHERS". ALL BOLTS SHALL BE 3/4" DIA UON.
- ALL STEEL MATERIALS SHALL BE GALVANIZED AFTER FABRICATION IN ACCORDANCE WITH ASTM A123 "ZINC (HOT-DIP GALVANIZED) COATINGS ON IRON AND STEEL PRODUCTS", UNLESS OTHERWISE NOTED.
- ALL BOLTS, ANCHORS AND MISCELLANEOUS HARDWARE SHALL BE GALVANIZED IN ACCORDANCE WITH ASTM A153 "ZINC-COATING (HOT-DIP) ON IRON AND STEEL HARDWARE", UNLESS OTHERWISE NOTED.
- FIELD WELDS, DRILL HOLES, SAW CUTS AND ALL DAMAGED GALVANIZED SURFACES SHALL BE REPAIRED WITH AN ORGANIC ZINC REPAIR PAINT COMPLYING WITH REQUIREMENTS OF ASTM A780. GALVANIZING REPAIR PAINT SHALL HAVE 65 PERCENT ZINC BY WEIGHT, ZIRP BY DUNCAN GALVANIZING, GALVA BRIGHT PREMIUM BY CROWN OR EQUAL. THICKNESS OF APPLIED GALVANIZING REPAIR PAINT SHALL BE NOT NOT LESS THAN 4 COATS (ALLOW TIME TO DRY BETWEEN COATS) WITH A RESULTING COATING THICKNESS REQUIRED BY ASTM A123 OR A153 AS APPLICABLE.
- CONTRACTOR SHALL COMPLY WITH AWS CODE FOR PROCEDURES, APPEARANCE AND QUALITY OF WELDS, AND FOR METHODS USED IN CORRECTING WELDING. ALL WELDERS AND WELDING PROCESSES SHALL BE QUALIFIED IN ACCORDANCE WITH AWS "STANDARD QUALIFICATION PROCEDURES". ALL WELDING SHALL BE DONE USING E70XX ELECTRODES AND WELDING SHALL CONFORM TO AISC AND D.I.I. WHERE FILLET WELD SIZES ARE NOT SHOWN, PROVIDE THE MINIMUM SIZE PER TABLE J2.4 IN THE AISC "STEEL CONSTRUCTION MANUAL". 14TH EDITION.
- INCORRECTLY FABRICATED, DAMAGED OR OTHERWISE MISFITTING OR NON-CONFORMING MATERIALS OR CONDITIONS SHALL BE REPORTED TO THE CONSTRUCTION MANAGER PRIOR TO REMEDIAL OR CORRECTIVE ACTION. ANY SUCH ACTION SHALL REQUIRE CONSTRUCTION MANAGER APPROVAL.
- UNISTRUT SHALL BE FORMED STEEL CHANNEL STRUT FRAMING AS MANUFACTURED BY UNISTRUT CORP., WAYNE, MI OR EQUAL. STRUT MEMBERS SHALL BE 1 5/8"x1 5/8"x12GA, UNLESS OTHERWISE NOTED, AND SHALL BE HOT-DIP GALVANIZED AFTER FABRICATION.
- EPOXY ANCHOR ASSEMBLY SHALL CONSIST OF STAINLESS STEEL ANCHOR ROD WITH NUTS & WASHERS. AN INTERNALLY THREADED INSERT, A SCREEN TUBE AND A EPOXY ADHESIVE. THE ANCHORING SYSTEM SHALL BE THE HILTI-HIT HY-270 AND OR HY-200 SYSTEMS (AS SPECIFIED IN DWG.) OR ENGINEERS APPROVED EQUAL.
- EXPANSION BOLTS SHALL CONFORM TO FEDERAL SPECIFICATION FF-S-325, GROUP II, TYPE 4, CLASS I, HILTI KWIK BOLT III OR APPROVED EQUAL. INSTALLATION SHALL BE IN ACCORDANCE WITH THE MANUFACTURER'S RECOMMENDATIONS.
- LUMBER SHALL COMPLY WITH THE REQUIREMENTS OF THE AMERICAN INSTITUTE OF TIMBER CONSTRUCTION AND THE NATIONAL FOREST PRODUCTS ASSOCIATION'S NATIONAL DESIGN SPECIFICATION FOR WOOD CONSTRUCTION. ALL LUMBER SHALL BE PRESSURE TREATED AND SHALL BE STRUCTURAL GRADE NO. 2 OR BETTER.
- WHERE ROOF PENETRATIONS ARE REQUIRED, THE CONTRACTOR SHALL CONTACT AND COORDINATE RELATED WORK WITH THE BUILDING OWNER AND THE EXISTING ROOF INSTALLER. WORK SHALL BE PERFORMED IN SUCH A MANNER AS TO NOT VOID THE EXISTING ROOF WARRANTY. ROOF SHALL BE WATERTIGHT.
- ALL FIBERGLASS MEMBERS USED ARE AS MANUFACTURED BY STRONGWELL COMPANY OF BRISTOL, VA 24203. ALL DESIGN CRITERIA FOR THESE MEMBERS IS BASED ON INFORMATION PROVIDED IN THE DESIGN MANUAL. ALL REQUIREMENTS PUBLISHED IN SAID MANUAL MUST BE STRICTLY ADHERED TO.
- NO MATERIALS TO BE ORDERED AND NO WORK TO BE COMPLETED UNTIL SHOP DRAWINGS HAVE BEEN REVIEWED AND APPROVED IN WRITING.
- SUBCONTRACTOR SHALL FIREPROOF ALL STEEL TO PRE-EXISTING CONDITIONS.

SPECIAL INSPECTIONS (REFERENCE IBC CHAPTER 17):

GENERAL: WHERE APPLICATION IS MADE FOR CONSTRUCTION, THE OWNER OR THE REGISTERED DESIGN PROFESSIONAL IN RESPONSIBLE CHARGE ACTING AS THE OWNER'S AGENT SHALL EMPLOY ONE OR MORE APPROVED AGENCIES TO PERFORM INSPECTIONS DURING CONSTRUCTION ON THE TYPES OF WORK LISTED IN THE INSPECTION CHECKLIST ABOVE.

THE REGISTERED DESIGN PROFESSIONAL IN RESPONSIBLE CHARGE AND ENGINEERS OF RECORD INVOLVED IN THE DESIGN OF THE PROJECT ARE PERMITTED TO ACT AS THE APPROVED AGENCY AND THEIR PERSONNEL ARE PERMITTED TO ACT AS THE SPECIAL INSPECTOR FOR THE WORK DESIGNED BY THEM, PROVIDED THOSE PERSONNEL MEET THE QUALIFICATION REQUIREMENTS.

STATEMENT OF SPECIAL INSPECTIONS: THE APPLICANT SHALL SUBMIT A STATEMENT OF SPECIAL INSPECTIONS PREPARED BY THE REGISTERED DESIGN PROFESSIONAL IN RESPONSIBLE CHARGE IN ACCORDANCE WITH SECTION 107.1 AS A CONDITION FOR ISSUANCE. THIS STATEMENT SHALL BE IN ACCORDANCE WITH SECTION 1705.

REPORT REQUIREMENT: SPECIAL INSPECTORS SHALL KEEP RECORDS OF INSPECTIONS. THE SPECIAL INSPECTOR SHALL FURNISH INSPECTION REPORTS TO THE BUILDING OFFICIAL, AND TO THE REGISTERED DESIGN PROFESSIONAL IN RESPONSIBLE CHARGE. REPORTS SHALL INDICATE THAT WORK INSPECTED WAS OR WAS NOT COMPLETED IN CONFORMANCE TO APPROVED CONSTRUCTION DOCUMENTS. DISCREPANCIES SHALL BE BROUGHT TO THE IMMEDIATE ATTENTION OF THE CONTRACTOR FOR CORRECTION. IF THEY ARE NOT CORRECTED, THE DISCREPANCIES SHALL BE BROUGHT TO THE ATTENTION OF THE BUILDING OFFICIAL AND TO THE REGISTERED DESIGN PROFESSIONAL IN RESPONSIBLE CHARGE. A FINAL REPORT DOCUMENTING REQUIRED SPECIAL INSPECTIONS SHALL BE SUBMITTED.

SPECIAL INSPECTION CHECKLIST	
BEFORE CONSTRUCTION	
CONSTRUCTION/INSTALLATION INSPECTIONS AND TESTING REQUIRED (COMPLETED BY ENGINEER OF RECORD)	REPORT ITEM
N/A	ENGINEER OF RECORD APPROVED SHOP DRAWINGS ¹
N/A	MATERIAL SPECIFICATIONS REPORT ²
N/A	FABRICATOR NDE INSPECTION
N/A	PACKING SLIPS ³
ADDITIONAL TESTING AND INSPECTIONS:	
DURING CONSTRUCTION	
CONSTRUCTION/INSTALLATION INSPECTIONS AND TESTING REQUIRED (COMPLETED BY ENGINEER OF RECORD)	REPORT ITEM
REQUIRED	STEEL INSPECTIONS
N/A	HIGH STRENGTH BOLT INSPECTIONS
N/A	HIGH WIND ZONE INSPECTIONS ⁴
N/A	FOUNDATION INSPECTIONS
N/A	CONCRETE COMP. STRENGTH, SLUMP TESTS AND PLACEMENT
N/A	POST INSTALLED ANCHOR VERIFICATION ⁵
N/A	GROUT VERIFICATION
N/A	CERTIFIED WELD INSPECTION
N/A	EARTHWORK: LIFT AND DENSITY
N/A	ON SITE COLD GALVANIZING VERIFICATION
N/A	GUY WIRE TENSION REPORT
ADDITIONAL TESTING AND INSPECTIONS:	
AFTER CONSTRUCTION	
CONSTRUCTION/INSTALLATION INSPECTIONS AND TESTING REQUIRED (COMPLETED BY ENGINEER OF RECORD)	REPORT ITEM
REQUIRED	MODIFICATION INSPECTOR REDLINE OR RECORD DRAWINGS ⁶
N/A	POST INSTALLED ANCHOR PULL-OUT TESTING
REQUIRED	PHOTOGRAPHS
ADDITIONAL TESTING AND INSPECTIONS:	

NOTES:

- REQUIRED FOR ANY NEW SHOP FABRICATED FRP OR STEEL.
- PROVIDED BY MANUFACTURER, REQUIRED IF HIGH STRENGTH BOLTS OR STEEL.
- PROVIDED BY GENERAL CONTRACTOR; PROOF OF MATERIALS.
- HIGH WIND ZONE INSPECTION CATB 120MPH OR CAT C,D 110MPH INSPECT FRAMING OF WALLS, ANCHORING, FASTENING SCHEDULE.
- ADHESIVE FOR REBAR AND ANCHORS SHALL HAVE BEEN TESTED IN ACCORDANCE WITH ACI 355.4 AND ICC-ES AC308 FOR CRACKED CONCRETE AND SEISMIC APPLICATIONS. DESIGN ADHESIVE BOND STRENGTH HAS BEEN BASED ON ACI 355.4 TEMPERATURE CATEGORY B WITH INSTALLATIONS INTO DRY HOLES DRILLED USING A CARBIDE BIT INTO CRACKED CONCRETE THAT HAS CURED FOR AT LEAST 21 DAYS. ADHESIVE ANCHORS REQUIRING CERTIFIED INSTALLATIONS SHALL BE INSTALLED BY A CERTIFIED ADHESIVE ANCHOR INSTALLER PER ACI 318-11 D.9.2.2. INSTALLATIONS REQUIRING CERTIFIED INSTALLERS SHALL BE INSPECTED PER ACI 318-11 D.8.2.4.
- AS REQUIRED; FOR ANY FIELD CHANGES TO THE ITEMS IN THIS TABLE.

NOTES:

- ALL CONNECTIONS TO BE SHOP WELDED & FIELD BOLTED USING 3/4"Ø A325-X BOLTS, UNLESS OTHERWISE NOTIFIED.
- SHOP DRAWING ENGINEER REVIEW & APPROVAL REQUIRED BEFORE ORDERING MATERIAL.
- SHOP DRAWING ENGINEER REVIEW & APPROVAL REQUIRED PRIOR TO STEEL FABRICATION.
- VERIFICATION OF EXISTING ROOF CONSTRUCTION IS REQUIRED PRIOR TO THE INSTALLATION OF THE ROOF PLATFORM. ENGINEER OF RECORD IS TO APPROVE EXISTING CONDITIONS IN ORDER TO MOVE FORWARD.
- CENTERLINE OF PROPOSED STEEL PLATFORM SUPPORT COLUMNS TO BE CENTRALLY LOCATED OVER THE EXISTING BUILDING COLUMNS.
- EXISTING BRICK MASONRY COLUMNS/BEARING TO BE REPAIRED/REPLACED AT ALL PROPOSED PLATFORM SUPPORT POINTS. ENGINEER OF RECORD TO REVIEW AND APPROVE.



45 BEECHWOOD DRIVE
NORTH ANDOVER, MA 01845
TEL: (978) 557-5553
FAX: (978) 336-5586



12 INDUSTRIAL WAY
SALEM, NH 03079

SITE NUMBER: CT1050
SITE NAME: POMFRET-TYRONE RD
CCI SITE NUMBER: 841292

82 TYRONE ROAD
POMFRET, CT 06258
WINDHAM COUNTY



500 ENTERPRISE DRIVE, SUITE 3A
ROCKY HILL, CT 06067

2	06/21/19	ISSUED FOR CONSTRUCTION	AM	AT	DJC
1	04/02/18	ISSUED FOR CONSTRUCTION	EB	AT	DJC
B	03/22/18	ISSUED FOR PERMITTING	MR	AT	DJC
A	02/06/18	ISSUED FOR REVIEW	TB	AT	DJC
NO.	DATE	REVISIONS	BY	CHK	APP'D
SCALE: AS SHOWN		DESIGNED BY: AT	DRAWN BY: TB		

AT&T

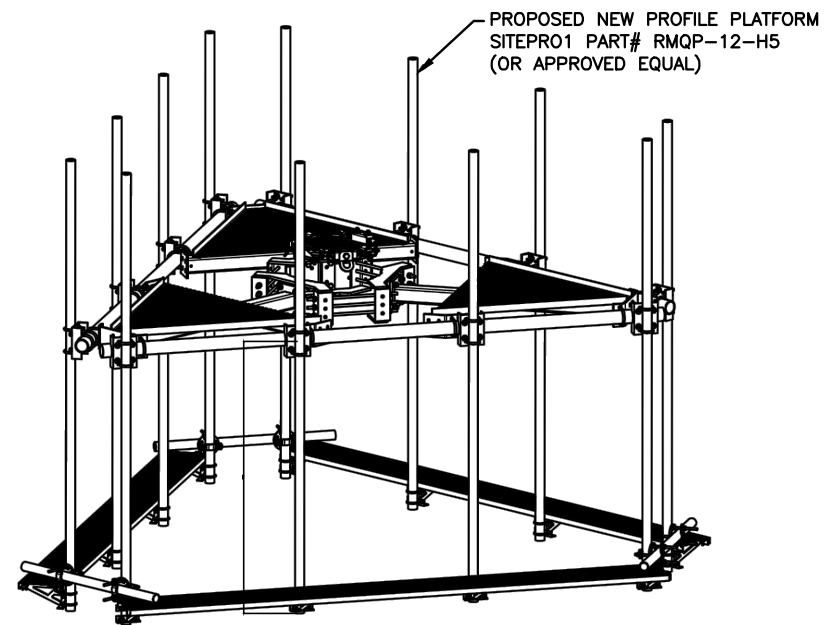
STRUCTURAL NOTES
(LTE 3C_4C_5C & ANTENNA MODIFICATIONS)

SITE NUMBER	DRAWING NUMBER	REV
CT1050	SN-1	2

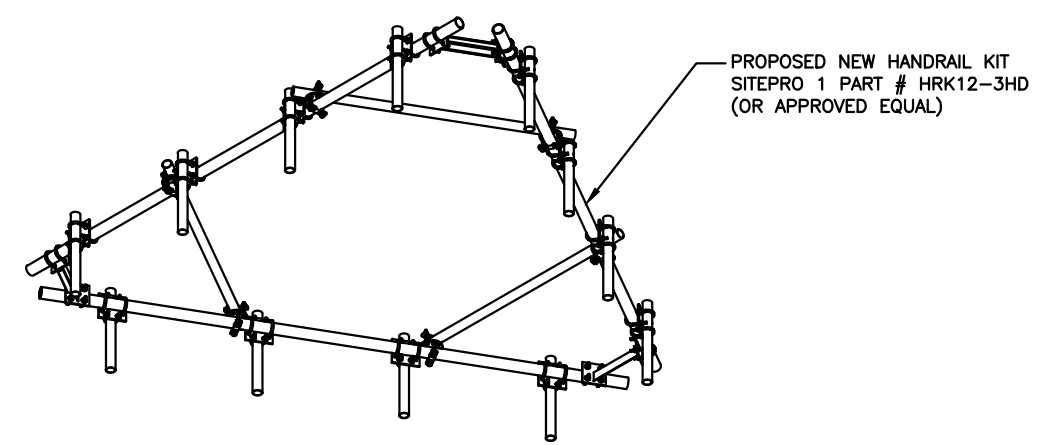
NOTE:
AN ANALYSIS FOR THE CAPACITY OF THE EXISTING **ANTENNA MOUNT** TO SUPPORT THE PROPOSED LOADING HAS BEEN COMPLETED BY:
HUDSON DESIGN GROUP, LLC.
DATED: MAY 1, 2019 (REV.3)

NOTE:
REFER TO THE FINAL RF DATA SHEET FOR FINAL ANTENNA SETTINGS.

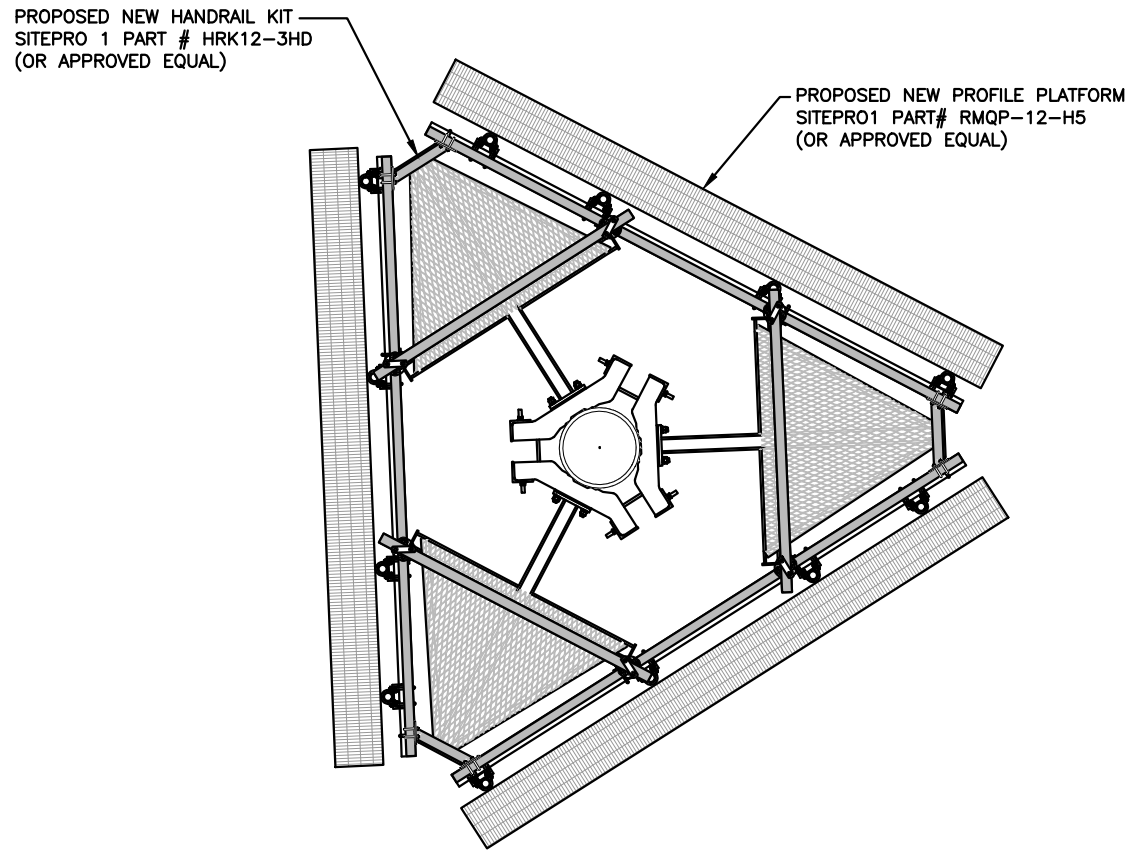
NOTE:
REFER TO STRUCTURAL ANALYSIS BY: TOWER ENGINEERING PROFESSIONALS DATED: JUNE 07, 2019, FOR THE CAPACITY OF THE EXISTING STRUCTURES TO SUPPORT THE PROPOSED EQUIPMENT.



PROPOSED LOW PROFILE PLATFORM RMQP-12-H5
SCALE: N.T.S. 1
S-1



PROPOSED HANDRAIL KIT
SCALE: N.T.S. 2
S-1



PLATFORM REINFORCEMENT PLAN 3
S-1
22x34 SCALE: 1/2"=1'-0"
11x17 SCALE: 1/4"=1'-0"
0 1'-0" 2'-0" 4'-0" 6'-0"

PROPOSED AT&T ANTENNA (800-10966)
⊙ POS. 4 (TYP. OF 1 PER SECTOR,
TOTAL OF 3)

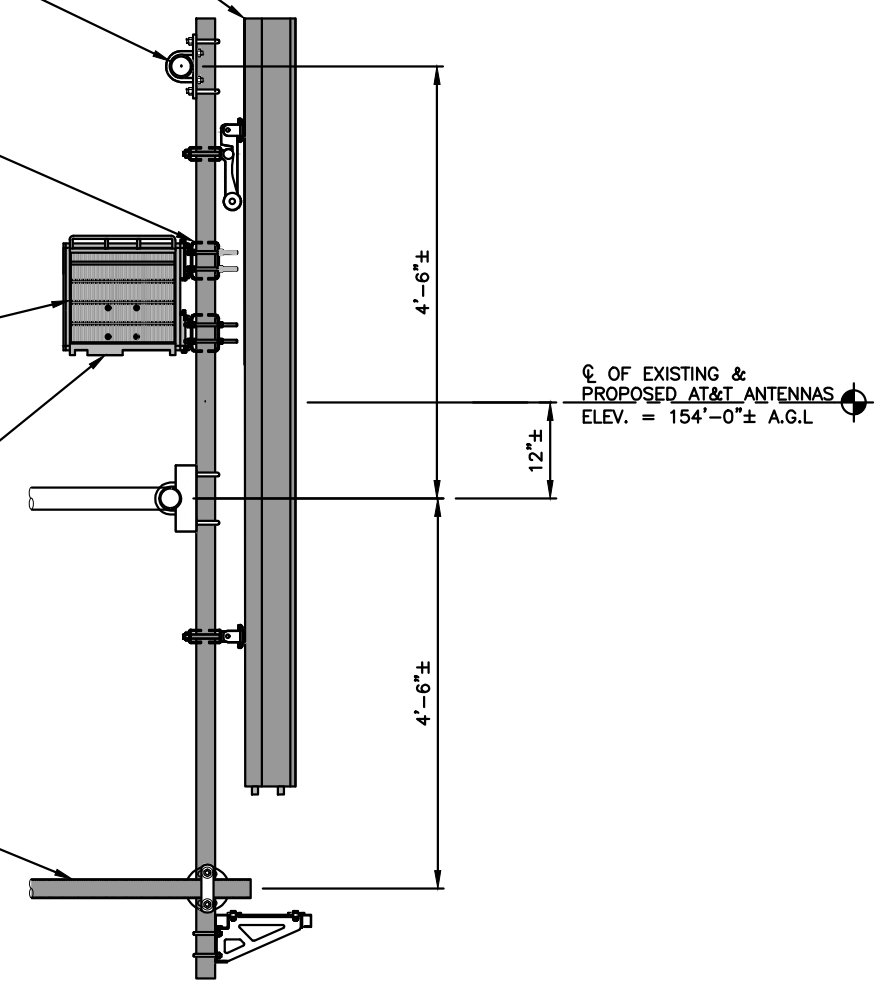
PROPOSED NEW HANDRAIL KIT
SITEPRO 1 PART # HRK12-3HD
(OR APPROVED EQUAL)

PROPOSED RRU BACK TO BACK
MOUNT BRACKET PART#
SXK1250461/1 (OR APPROVED
EQUAL)

PROPOSED AT&T B2/B66A 8843
(1900/AWS) MOUNTED ON
PROPOSED BACK TO BACK
MOUNT (TYP. OF 1 PER SECTOR,
TOTAL OF 3)

PROPOSED AT&T B5/B12 4449
(700/850) MOUNTED ON
PROPOSED BACK TO BACK
MOUNT (TYP. OF 1 PER SECTOR,
TOTAL OF 3)

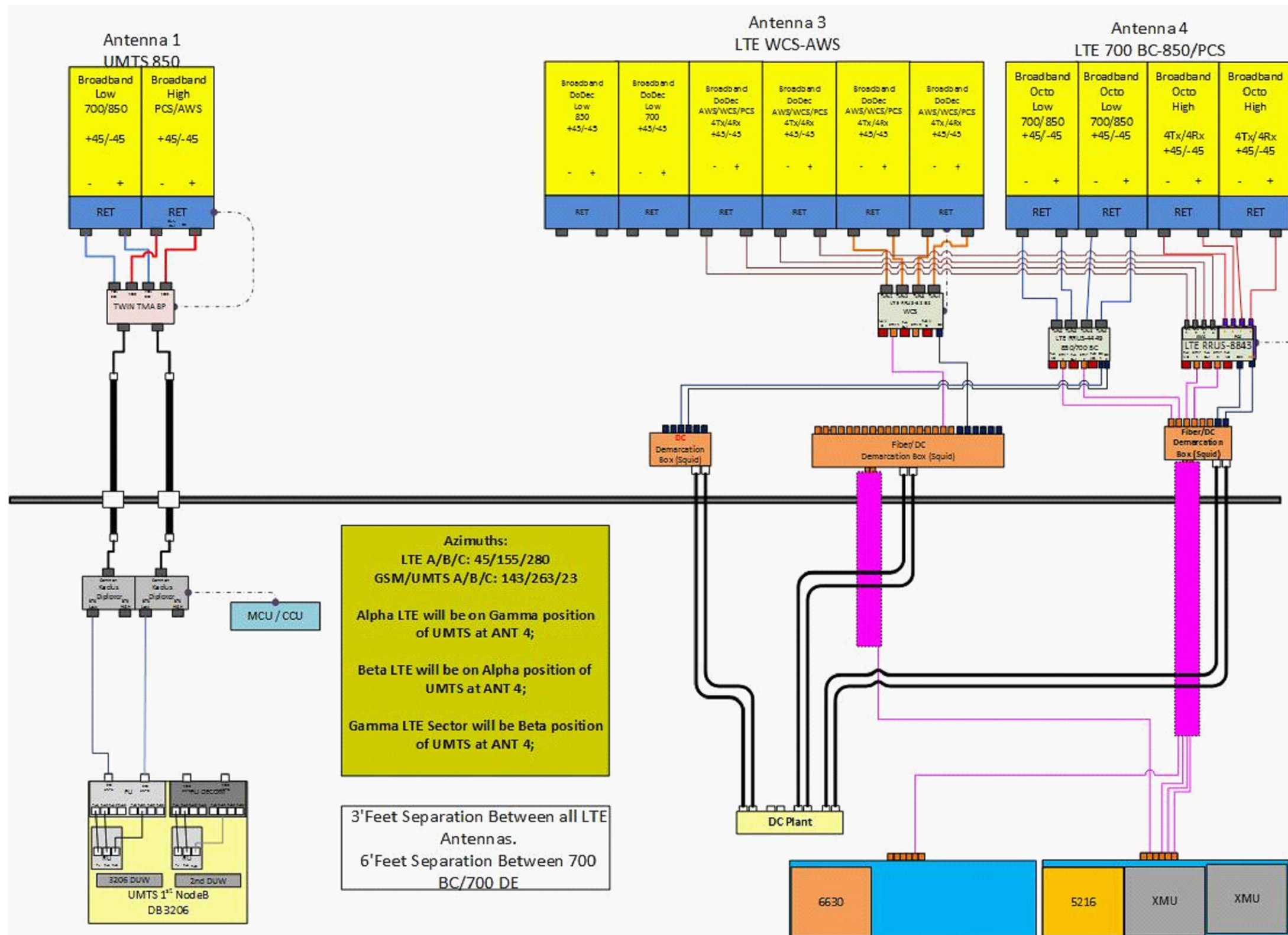
PROPOSED NEW PROFILE PLATFORM
SITEPRO1 PART# RMQP-12-H5
(OR APPROVED EQUAL)



PLATFORM REINFORCEMENT PLAN 4
S-1
22x34 SCALE: 1"=1'-0"
11x17 SCALE: 1/2"=1'-0"
0 0'-6" 1'-0" 2'-0" 3'-0"

2	06/21/19	ISSUED FOR CONSTRUCTION	AM	AT	DJC
1	04/02/18	ISSUED FOR CONSTRUCTION	EB	AT	DJC
B	03/22/18	ISSUED FOR PERMITTING	MR	AT	DJC
A	02/06/18	ISSUED FOR REVIEW	TB	AT	DJC
NO.	DATE	REVISIONS	BY	CHK	APP'D
SCALE: AS SHOWN		DESIGNED BY: AT	DRAWN BY: TB		

AT&T		
MOUNT MODIFICATION DESIGN (LTE 3C_4C_5C & ANTENNA MODIFICATIONS)		
SITE NUMBER	DRAWING NUMBER	REV
CT1050	S-1	2



RF PLUMBING DIAGRAM
SCALE: N.T.S.

NOTE:
REFER TO THE FINAL RF DATA SHEET FOR FINAL ANTENNA SETTINGS.

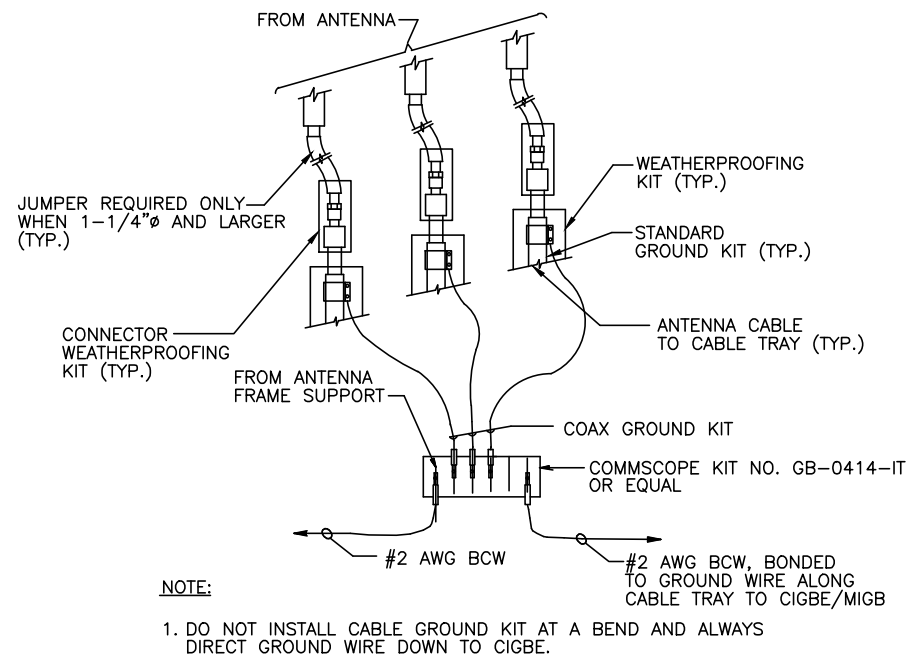
NOTE:
1. CONTRACTOR TO CONFIRM ALL PARTS.
2. INSTALL ALL EQUIPMENT TO MANUFACTURER'S RECOMMENDATIONS

2	06/21/19	ISSUED FOR CONSTRUCTION	AM	AT	DJC
1	04/02/18	ISSUED FOR CONSTRUCTION	EB	AT	DJC
B	03/22/18	ISSUED FOR PERMITTING	MR	AT	DJC
A	02/06/18	ISSUED FOR REVIEW	TB	AT	DJC
NO.	DATE	REVISIONS	BY	CHK	APP'D
SCALE: AS SHOWN		DESIGNED BY: AT	DRAWN BY: TB		

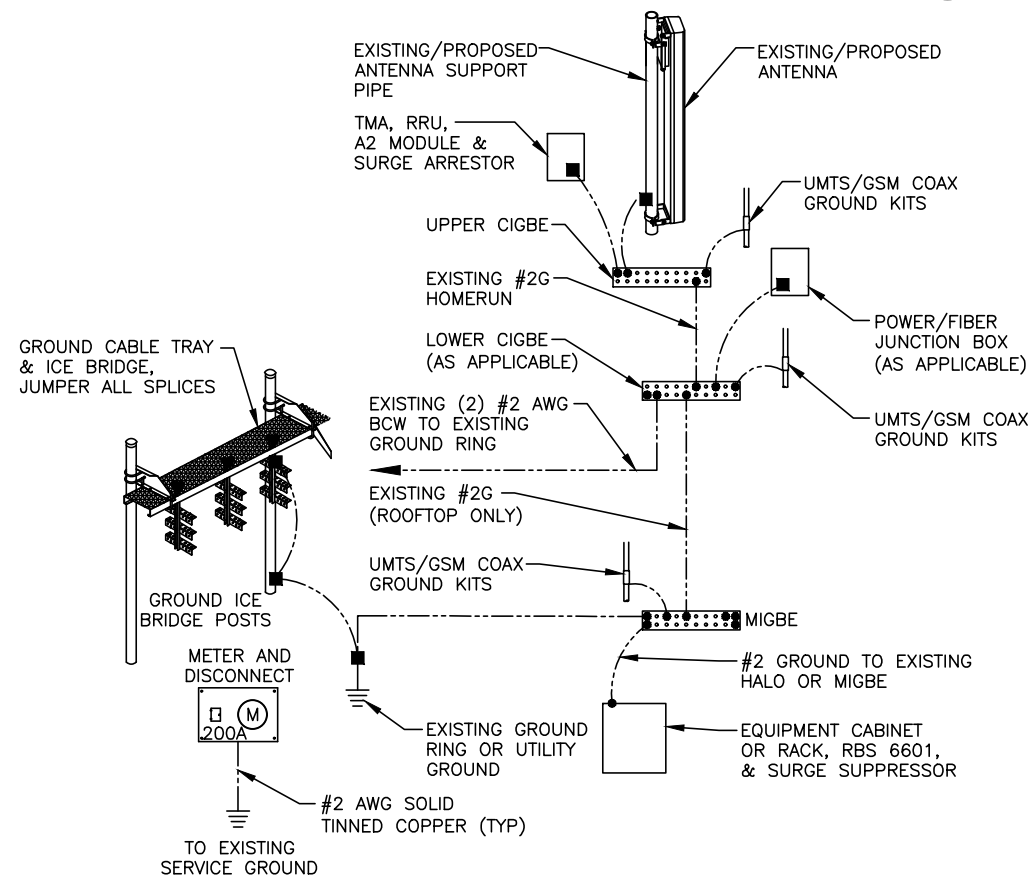
AT&T

RF PLUMBING DIAGRAM
(LTE 3C_4C_5C & ANTENNA MODIFICATIONS)

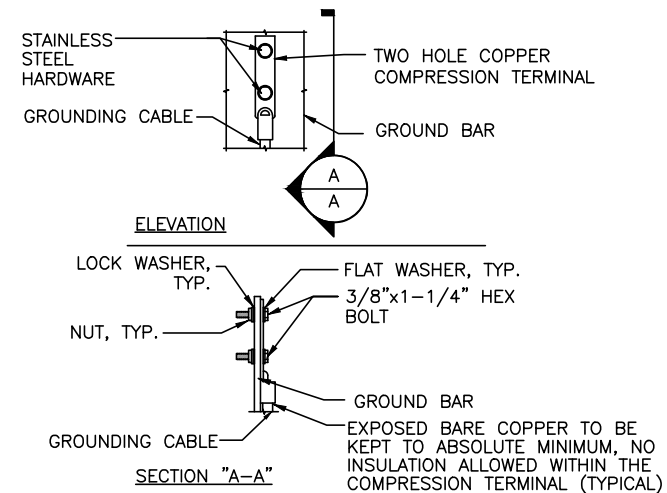
SITE NUMBER	DRAWING NUMBER	REV
CT1050	RF-1	2



GROUND WIRE TO GROUND BAR CONNECTION DETAIL (1)
SCALE: N.T.S. (G-1)



GROUNDING RISER DIAGRAM (2)
SCALE: N.T.S. (G-1)



TYPICAL GROUND BAR CONNECTION DETAIL (3)
SCALE: N.T.S. (G-1)

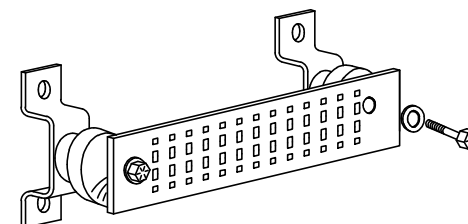
EACH GROUND CONDUCTOR TERMINATING ON ANY GROUND BAR SHALL HAVE AN IDENTIFICATION TAG ATTACHED AT EACH END THAT WILL IDENTIFY ITS ORIGIN AND DESTINATION.

SECTION "P" - SURGE PRODUCERS

- CABLE ENTRY PORTS (HATCH PLATES) (#2)
- GENERATOR FRAMEWORK (IF AVAILABLE) (#2)
- TELCO GROUND BAR
- COMMERCIAL POWER COMMON NEUTRAL/GROUND BOND (#2)
- +24V POWER SUPPLY RETURN BAR (#2)
- 48V POWER SUPPLY RETURN BAR (#2)
- RECTIFIER FRAMES.

SECTION "A" - SURGE ABSORBERS

- INTERIOR GROUND RING (#2)
- EXTERNAL EARTH GROUND FIELD (BURIED GROUND RING) (#2)
- METALLIC COLD WATER PIPE (IF AVAILABLE) (#2)
- BUILDING STEEL (IF AVAILABLE) (#2)



GROUND BAR - DETAIL (4)
SCALE: N.T.S. (G-1)

2	06/21/19	ISSUED FOR CONSTRUCTION	AM	AT	DJC
1	04/02/18	ISSUED FOR CONSTRUCTION	EB	AT	DJC
B	03/22/18	ISSUED FOR PERMITTING	MR	AT	DJC
A	02/06/18	ISSUED FOR REVIEW	TB	AT	DJC
NO.	DATE	REVISIONS	BY	CHK	APP'D
SCALE: AS SHOWN		DESIGNED BY: AT	DRAWN BY: TB		

AT&T		
GROUNDING DETAILS (LTE 3C_4C_5C & ANTENNA MODIFICATIONS)		
SITE NUMBER	DRAWING NUMBER	REV
CT1050	G-1	2