

October 18, 2021

Melanie A. Bachman
Executive Director
Connecticut Siting Council
10 Franklin Square
New Britain, CT 06051

Re: Resubmitting as Tower Share application for EM-CING-053-210917
AT&T Site S1255
AT&T Telecommunications Facility @ 89 Doctor Nott Road, North Franklin, CT 06254

Dear Ms. Bachman,

New Cingular Wireless, PCS, LLC ("AT&T") is proposing a wireless telecommunications facility on an existing +/- 300 feet guyed tower at the above referenced address (Latitude = 41.59766, Longitude = -72.14497) and within the existing fenced compound. Said guyed tower is owned and operated by American Tower Corporation.

AT&T proposes to install a WIC (Walk-In Cabinet) and a Generator on proposed concrete pads inside a 20' x 10' ground space within the existing compound and install (9) antennas, (9) RRUS Radios, (2) Squid and mounts/cabling on the existing tower at 196' as more particularly detailed and described on the enclosed Construction Drawings prepared by Dewberry Engineers Inc., dated July 2, 2021. The overall height of the existing tower is and will remain at 308 feet and no changes will be made to the compound dimensions.

Please accept this letter as notification pursuant to Regulations of Connecticut State Agencies 16-50aa, of AT&T's intent to share a telecommunications facility pursuant to R.C.S.A. 16-50j-88. In accordance with R.C.S.A §16-50j-73, a copy of this letter is being sent to the following individuals: American Tower Corporation as Tower Operator/Owner; Penske Aitchison & Victoria Etal as Property Owners; Charles Grant as First Selectman of the Town of Franklin; and Ronald Chalecki as Planning & Zoning Official for the Town of Franklin.

The planned modifications to the facility fall squarely within those activities explicitly provided for in R.C.S.A. §16-50j-89. Specifically:

1. The proposed modifications will NOT result in an increase in the height of the existing structure.
2. The proposed modifications will NOT require an extension of the site boundary.

3. The proposed modifications will NOT increase noise levels at the facility by six decibels or more, or to levels that exceed state and local criteria.
4. The operation of the modified facility will NOT increase radio frequency emissions at the facility to a level at or above the Federal Communications Commission (FCC) safety standard. *Please see the RF emissions calculation for AT&T's modified facility enclosed herewith.*
5. The proposed modifications will NOT cause an ineligible change or alteration in the physical or environmental characteristics of the site.
6. The existing structure and its foundation can support the proposed loading. Please see the structural analysis dated March 24, 2021 prepared by American Tower Corporation enclosed herewith.

Connecticut General Statute 16-50aa indicates that the Council must approve the shared use of a telecommunications facility provided it finds the shared use is technically, legally, environmentally, and economically feasible and meets public safety concerns. As demonstrated in this letter, AT&T respectfully indicates that the shared use of this facility satisfies these criteria:

- A. **Technical Feasibility.** The existing tower has been deemed structurally capable of supporting AT&T's proposed loading (see attached Structural Analysis).
- B. **Legal Feasibility.** As referenced above, C.G.S. 16-50aa has been authorized to issue orders approving the shared use of an existing tower. Under the authority granted to the Council, an order of the Council approving the requested shared use would permit AT&T to obtain a building permit for the proposed installation. Further, a Letter of Authorization is attached, authorizing AT&T to file this application for shared use.
- C. **Environmental Feasibility.** The proposed shared use of this facility would have a minimal environmental impact. The installation of AT&T equipment at the 196-foot level of the existing 300-foot tower would have an insignificant visual impact on the area around the tower. AT&T ground equipment would be installed within the existing facility compound. AT&T shared use would therefore not cause any significant alteration in the physical or environmental characteristics of the existing site. Additionally, as evidenced by the attached NIER study, the proposed antennas would not increase radio frequency emissions to a level at or above the Federal Communications Commission safety standard.
- D. **Economic Feasibility.** AT&T will be entering into an agreement with the owner of this facility to mutually agreeable terms. As previously mentioned, the Letter of Authorization has been provided by the owner to assist AT&T with this tower sharing application.
- E. **Public Safety Concerns.** As discussed above, the tower is structurally capable of supporting AT&T proposed loading. AT&T is not aware of any public safety concerns relative to the proposed sharing of the existing tower. AT&T's intentions of providing new and improved wireless service

through the shared use of this facility is expected to enhance the safety and welfare of local residents and individuals traveling through North Franklin.

For the foregoing reasons, AT&T respectfully requests that the Council approve this request for the shared use of this tower located at 89 Doctor Nott Road, North Franklin, CT 06254.

If you have any questions, please feel free to contact me.

Sincerely,

Kimberly Revak
Site Acquisition Consultant – Agent for AT&T
Centerline Communications, LLC
38 Treeline Court
Fishkill, NY 12524
Phone: (845) 242-6152
krevak@clinellc.com

Enclosures: **Exhibit 1 – Letter of Authorization from Tower Owner**
 Exhibit 2 – Property Card and GIS
 Exhibit 3 – Construction Drawings dated 07/02/21
 Exhibit 4 – Structural Analysis Report
 Exhibit 5 – Antenna Mount Analysis Report
 Exhibit 6 – NIER Study Report
 Exhibit 7 – Tower Approval
 Exhibit 8 – (4) Notice Confirmations

Cc: **American Tower Corporation – Tower Operator/Owner**
 Penske Aitchison & Victoria Etal – Property Owners
 Charles Grant – First Selectman of the Town of Franklin
 Ronald Chalecki – ZEO for the Town of Franklin

Exhibit 1

Letter of Authorization from Tower Owner



AMERICAN TOWER®
CORPORATION

LETTER OF AUTHORIZATION

ATC Site No./Name/Project: 6310 / Franklin CT / 13626843
Site Address: Address: 89 Dr. Nott Road, North Franklin, CT 06254
Licensee: New Cingular Wireless PCS, LLC dba AT&T Mobility

I, Margaret Robinson, Senior Counsel for American Tower*, owner of the tower facility located at the address identified above (the "Tower Facility"), do hereby authorize **New Cingular Wireless PCS, LLC dba AT&T Mobility**, its successors and assigns, and/or its agent, (collectively, the "Licensee") to act as American Tower's non-exclusive agent for the sole purpose of filing and consummating any land-use or building permit application(s) as may be required by the applicable permitting authorities for Licensee's telecommunications' installation.

We understand that this application may be denied, modified or approved with conditions. The above authorization is limited to the acceptance by Licensee only of conditions related to Licensee's installation and any such conditions of approval or modifications will be Licensee's sole responsibility.

Signature:

Print Name: Margaret Robinson
Senior Counsel
American Tower*

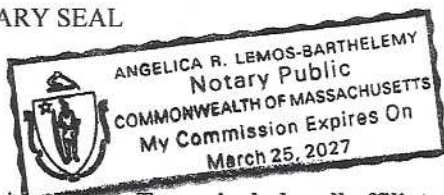
NOTARY BLOCK

Commonwealth of MASSACHUSETTS
County of Middlesex

This instrument was acknowledged before me by Margaret Robinson, Senior Counsel for American Tower*, personally known to me (or proved to me on the basis of satisfactory evidence) to be the person whose name is subscribed to the within instrument and acknowledged to me that he executed the same.

WITNESS my hand and official seal, this 16th of April 2021.

NOTARY SEAL



Notary Public 
My Commission Expires: March 25, 2027

*American Tower includes all affiliates and subsidiaries of American Tower Corporation.

Exhibit 2

Property Card and GIS

The Assessor's office is responsible for the maintenance of records on the ownership of properties. Assessments are computed at 70% of the estimated market value of real property at the time of the last revaluation which was 2018.



Information on the Property Records for the Municipality of Franklin was last updated on 8/23/2021.



Parcel Information

Location:	89 DR NOTT RD	Property Use:	Residential	Primary Use:	Residential
Unique ID:	S1080900	Map Block Lot:	36 8	Acres:	44.16
490 Acres:	0.00	Zone:	R080	Volume / Page:	103/ 226
Developers Map / Lot:		Census:			
Location:	89 DR NOTT RD	Property Use:	Residential	Primary Use:	Residential
Unique ID:	S1080900	Map Block Lot:	36 8	Acres:	44.16
490 Acres:	0.00	Zone:	R080	Volume / Page:	103/ 226
Developers Map / Lot:		Census:			
Location:	89 DR NOTT RD	Property Use:	Residential	Primary Use:	Residential

Unique ID:	S1080900	Map Block Lot:	36 8	Acres:	44.16
490 Acres:	0.00	Zone:	R080	Volume / Page:	103/ 226
Developers Map / Lot:		Census:			

Value Information

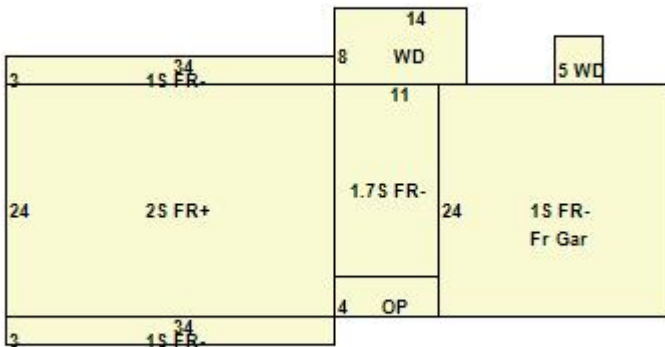
	Appraised Value	Assessed Value
Land	138,500	96,940
Buildings	221,367	154,960
Detached Outbuildings	293,995	205,800
Total	653,862	457,700

Owner's Information

Owner's Data

PENSKE AITCHISON VICTORIA L ETAL
 PO BOX 1128
 BETHLEHEM PA 18016

Building 1



Building Use:	Single Family	Style:	Colonial	Living Area:	2,786
Stories:	2.00	Construction:	Wood Frame	Year Built:	1986
Total Rooms:	8	Bedrooms:	3	Full Baths:	2
Half Baths:	1	Fireplaces:	0	Heating:	Hot Water
Fuel:	Oil	Cooling Percent:	0	Basement Area:	816
Basement Finished Area:	0	Basement Garages:	0	Roof Material:	Asphalt
Siding:	Clapboards	Units:			

Special Features

Attached Components

Type:	Year Built:	Area:
Wood Deck	1986	112
Wood Deck	1986	25
Attached Frame Garage	1986	576
Open Porch	1986	44

Detached Outbuildings

Type:	Year Built:	Length:	Width:	Area:
Barn w/Loft	1986	0.00	0.00	768
Barn w/Loft	2007	30.00	60.00	1,800
Pole Barn	2000	0.00	0.00	7,200
Canopy	1986	0.00	0.00	345
Farm Utility Storage Shed	2000	0.00	0.00	408
Farm Utility Storage Shed	1999	0.00	0.00	200
Farm Utility Storage Shed	1999	0.00	0.00	480
6 Ft Chain Fence	0000	1,000.00	0.00	1,000
Detached 1 Story Garage	1986	0.00	0.00	925
Site Value	1986	0.00	0.00	1
Lean To Shed	1986	0.00	0.00	288
Cell Tower	1999	0.00	0.00	1

Owner History - Sales

Owner Name	Volume	Page	Sale Date	Deed Type	Sale Price
PENSKE AITCHISON VICTORIA L ETAL	103	226	05/27/2020	Warranty Deed	\$653,862

Owner Name	Volume	Page	Sale Date	Deed Type	Sale Price
HIDDEN BROOK FARMS LLC	0091	0719	08/29/2013		\$650,000
SHAKUN THOMAS J	0091	0030	05/14/2013		\$0
SHAKUN THOMAS J AND	0084	0530	01/14/2010		\$0
SHAKUN THOMAS J	0066	0180	01/16/2003		\$0
SHAKUN THOMAS J AND DOROTHY M	0032	0115			\$0

Building Permits

Permit Number	Permit Type	Date Opened	Reason
810-21	Other	08/10/2021	INSTALLATION OF WALK-IN CABINET AND GENERATOR ON PLATFORM PLUS NEW ANTENNA AND MOUNTS ON TOWER
708-21	Roof	07/20/2021	METAL ROOF OVER EXIST SHED REPLACE 6 WINDOWS
806-16	Residential	08/09/2016	SEE PERMIT
1013-13	Electrical	10/08/2013	CHANGING SERVICE TO 200 HSE 100 AMP APT
1105-07	Residential	10/01/2007	TANK RM GAS HEATER.
111106		11/21/2006	30 X 60
2009	Residential	07/31/2000	BARN
2100		01/18/2000	ST POL ANT + 12x34 SHED
6799		06/09/1999	EQP SHEDS
1759	Residential	01/11/1999	AMERICAN TOWER

Information Published With Permission From The Assessor

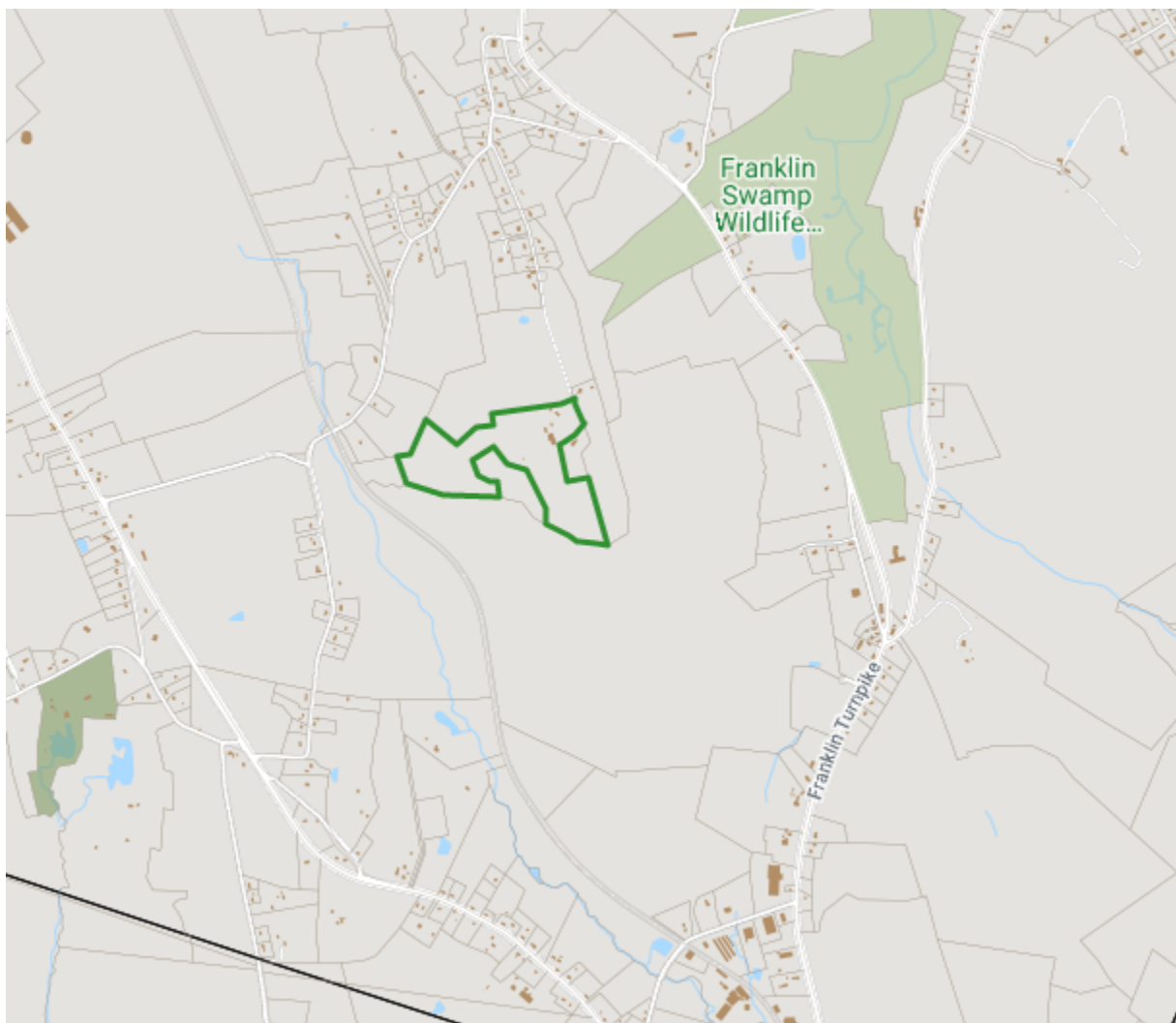
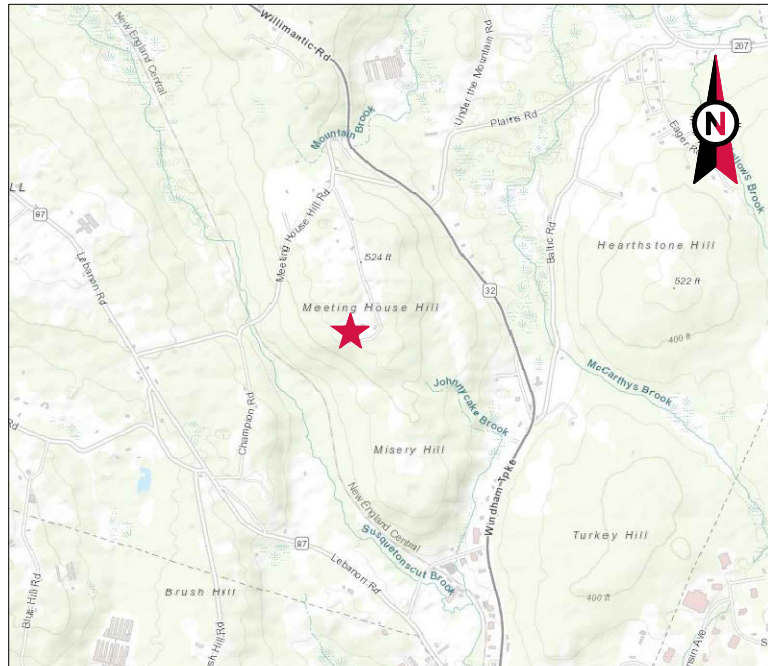


Exhibit 3

Construction Drawings



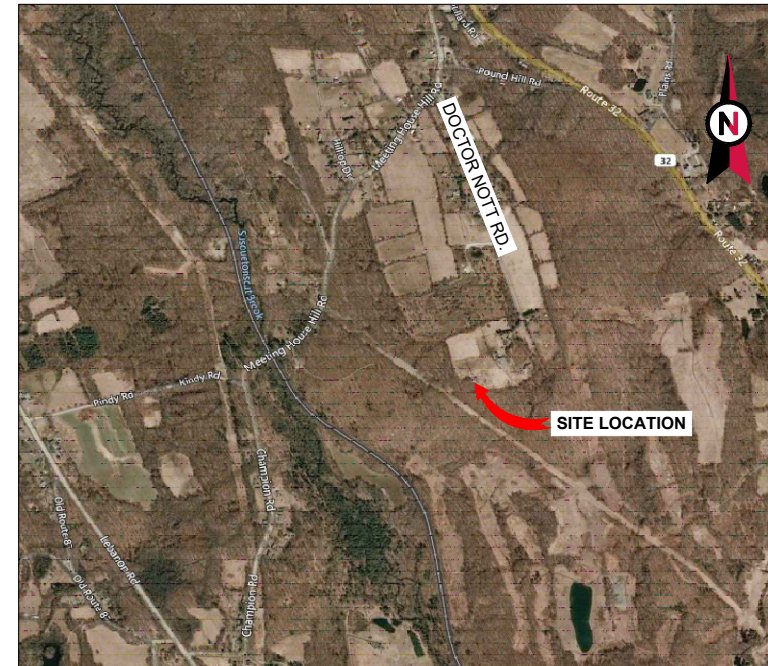
VICINITY MAP



AMERICAN TOWER®

ATC SITE NAME: FRANKLIN CT
 ATC SITE NUMBER: 6310
 AT&T PACE NUMBER: MRCTB050160
 AT&T SITE ID: S1255
 AT&T FA CODE: 12684107
 AT&T SITE NAME: S1255
 SITE ADDRESS: 89 DR. NOTT ROAD
 FRANKLIN, CT 06254

AT&T MOBILITY 13626843 COLOCATION PLAN
 5G NR RADIO/5G NR 1DR-1 CONFIGURATION



LOCATION MAP



Dewberry®
 Dewberry Engineers Inc.
 99 SUMMER STREET
 SUITE 700
 BOSTON, MA 02110
 PHONE: 617.531.0801
 FAX: 617.695.3310

REV.	DESCRIPTION	BY	DATE
A	PRELIM	MR	05/03/21
B	PRELIM	JI	06/16/21
0	FINAL	JI	07/02/21
△			
△			

ATC SITE NUMBER:
6310
 ATC SITE NAME:
FRANKLIN CT
 AT&T PACE NUMBER:
MRCTB050160
 AT&T SITE NAME:
S1255
 SITE ADDRESS:
89 DR. NOTT ROAD
FRANKLIN, CT 06254



DATE DRAWN:	04/26/21
ATC JOB NO:	13626843
CUSTOMER ID:	MRCTB050160
CUSTOMER #:	S1255

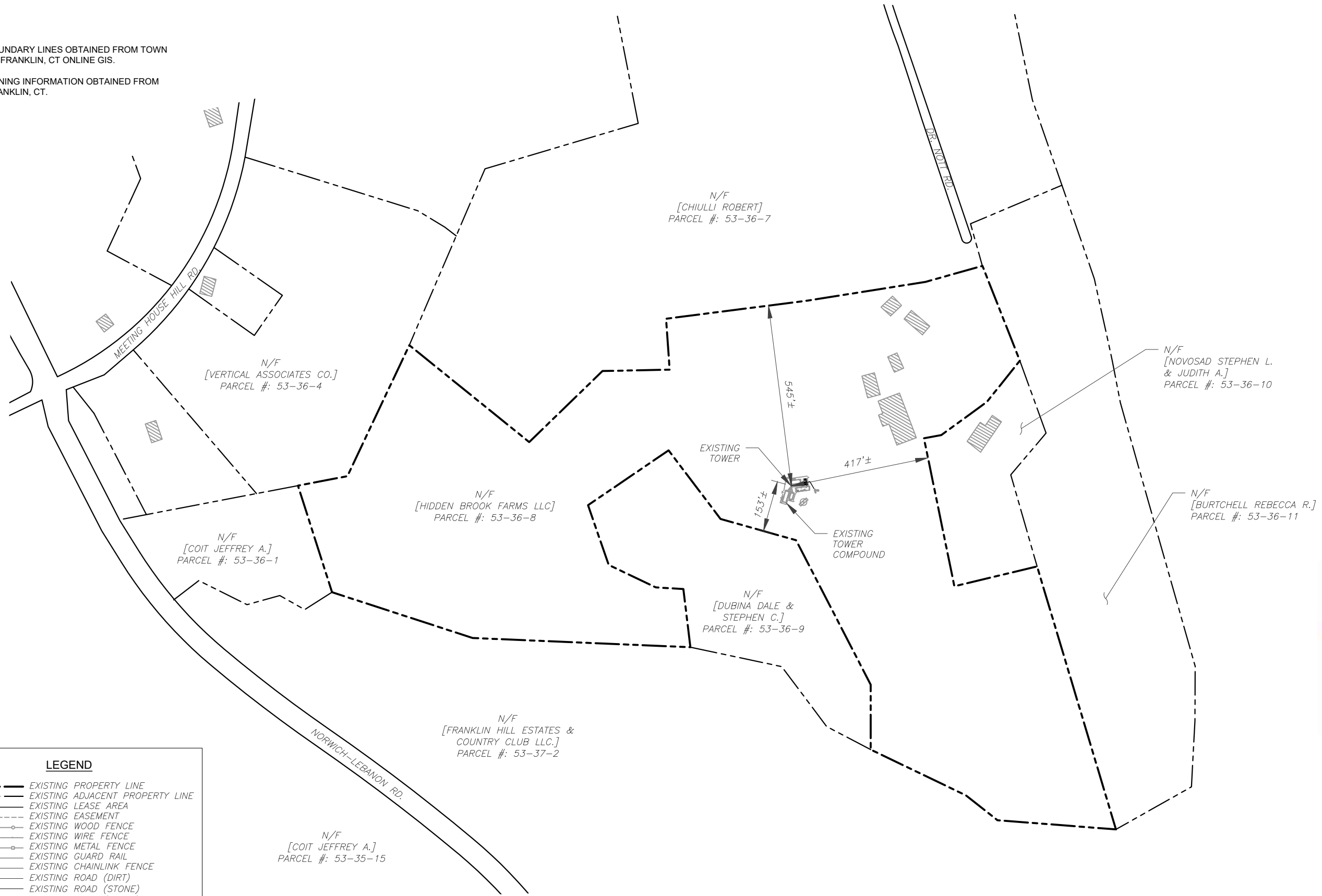
TITLE SHEET

SHEET NUMBER:
G-001
 REVISION:
0

COMPLIANCE CODE	PROJECT SUMMARY	PROJECT DESCRIPTION	SHEET INDEX				
ALL WORK SHALL BE PERFORMED AND MATERIALS INSTALLED IN ACCORDANCE WITH THE CURRENT EDITIONS OF THE FOLLOWING CODES AS ADOPTED BY THE LOCAL GOVERNMENT AUTHORITIES. NOTHING IN THESE PLANS IS TO BE CONSTRUED TO PERMIT WORK NOT CONFORMING TO THESE CODES. 1. 2018 CONNECTICUT STATE BUILDING CODE-AMENDMENTS TO IBC 2015 2. INTERNATIONAL BUILDING CODE 2015, INTERNATIONAL CODE COUNCIL 3. TIA-222-G-4, STRUCTURAL STANDARD FOR ANTENNA SUPPORTING STRUCTURES AND ANTENNAS 4. ASCE 7-10 MINIMUM DESIGN LOADS FOR BUILDINGS AND OTHER STRUCTURES, AMERICAN SOCIETY OF CIVIL ENGINEERS 5. STEEL CONSTRUCTION MANUAL 14TH EDITION, AMERICAN INSTITUTE OF STEEL CONSTRUCTION 6. CITY/COUNTY ORDINANCES	<u>SITE ADDRESS:</u> 89 DR. NOTT ROAD FRANKLIN, CT 06254 COUNTY: NEW LONDON <u>GEOGRAPHIC COORDINATES:</u> LATITUDE: 41.59766 LONGITUDE: -72.14497 GROUND ELEVATION: 499' AMSL	THE PROPOSED PROJECT INCLUDES INSTALLING A WIC (WALK-IN CABINET) AND A GENERATOR ON PROPOSED CONCRETE PADS INSIDE A 20' X 10' GROUND SPACE WITHIN THE EXISTING COMPOUND, AND INSTALLING NEW EQUIPMENT AND MOUNTS ON THE EXISTING TOWER.	SHEET NO:	DESCRIPTION:	REV:	DATE:	BY:
	<u>PROJECT TEAM</u> <u>TOWER OWNER:</u> AMERICAN TOWER 10 PRESIDENTIAL WAY WOBURN, MA 01801 <u>ENGINEER:</u> DEWBERRY ENGINEERS INC. 99 SUMMER STREET SUITE 700 BOSTON, MA 02110 PHONE: 617.695.3400 FAX: 617.695.3310 <u>PROPERTY OWNER:</u> HIDDEN BROOK FARMS LLC. 248 ROUTE 32 FRANKLIN, CT 06254	<u>PROJECT NOTES</u> 1. THE FACILITY IS UNMANNED. 2. A TECHNICIAN WILL VISIT THE SITE APPROXIMATELY ONCE A MONTH FOR ROUTINE INSPECTION AND MAINTENANCE. 3. THE PROJECT WILL NOT RESULT IN ANY SIGNIFICANT LAND DISTURBANCE OR EFFECT OF STORM WATER DRAINAGE. 4. NO SANITARY SEWER, POTABLE WATER OR TRASH DISPOSAL IS REQUIRED. 5. HANDICAP ACCESS IS NOT REQUIRED.		G-001	TITLE SHEET	0	07/02/21
<u>UTILITY COMPANIES</u> POWER COMPANY: EVERSOURCE ENERGY PHONE: (888) 783-6617 TELEPHONE COMPANY: UNKNOWN PHONE: (XXX) XXX-XXXX	<u>PROJECT LOCATION DIRECTIONS</u> FROM 395 SOUTH TO 608 WEST. FOLLOW TO 32 NORTH TO LEFT ON POUND HILL RD. LEFT ON DR. NOTT ROAD. SITE IS BEHIND FARM.		G-002	GENERAL NOTES	0	07/02/21	JI
			C-001	OVERALL SITE PLAN	0	07/02/21	JI
			C-101	DETAILED SITE PLAN	0	07/02/21	JI
			C-201	TOWER ELEVATION	0	07/02/21	JI
			C-401	ANTENNA INFORMATION & SCHEDULE	0	07/02/21	JI
			C-501	MOUNT DETAILS	0	07/02/21	JI
			C-502	CONSTRUCTION DETAILS	0	07/02/21	JI
			C-503	CONSTRUCTION DETAILS	0	07/02/21	JI
			S-501	CONSTRUCTION DETAILS	0	07/02/21	JI
			E-101	GROUNDING DETAILS & ELECTRICAL SCHEMATIC	0	07/02/21	JI
			E-501	GROUNDING DETAILS	0	07/02/21	JI
			E-601	PANEL SCHEDULE	0	07/02/21	JI
			R-601	SUPPLEMENTAL			
			R-602	SUPPLEMENTAL			
			R-603	SUPPLEMENTAL			

NOTES:

- BOUNDARY LINES OBTAINED FROM TOWN OF FRANKLIN, CT ONLINE GIS.
- ZONING INFORMATION OBTAINED FROM FRANKLIN, CT.

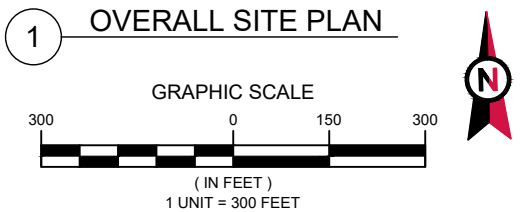


LEGEND

- EXISTING PROPERTY LINE
- - - EXISTING ADJACENT PROPERTY LINE
- - - EXISTING LEASE AREA
- - - EXISTING EASEMENT
- EXISTING WOOD FENCE
- EXISTING WIRE FENCE
- EXISTING METAL FENCE
- EXISTING GUARD RAIL
- x— EXISTING CHAINLINK FENCE
- EXISTING ROAD (DIRT)
- EXISTING ROAD (STONE)
- EXISTING ROAD (PAVED)

NOTES:

- DEWBERRY WAS NOT CONTRACTED TO PERFORM ANY BOUNDARY AND TOPOGRAPHIC SURVEY ON THIS SITE.



Dewberry®
 Dewberry Engineers Inc.
 99 SUMMER STREET
 SUITE 700
 BOSTON, MA 02110
 PHONE: 617.531.0801
 FAX: 617.695.3310

REV.	DESCRIPTION	BY	DATE
A	PRELIM	MR	05/03/21
B	PRELIM	JL	06/16/21
0	FINAL	JL	07/02/21

ATC SITE NUMBER:
6310
 ATC SITE NAME:
FRANKLIN CT
 AT&T PACE NUMBER:
MRCTB050160
 AT&T SITE NAME:
S1255
 SITE ADDRESS:
 89 DR. NOTT ROAD
 FRANKLIN, CT 06254



DATE DRAWN:	04/26/21
ATC JOB NO:	13626843
CUSTOMER ID:	MRCTB050160
CUSTOMER #:	S1255

OVERALL SITE PLAN

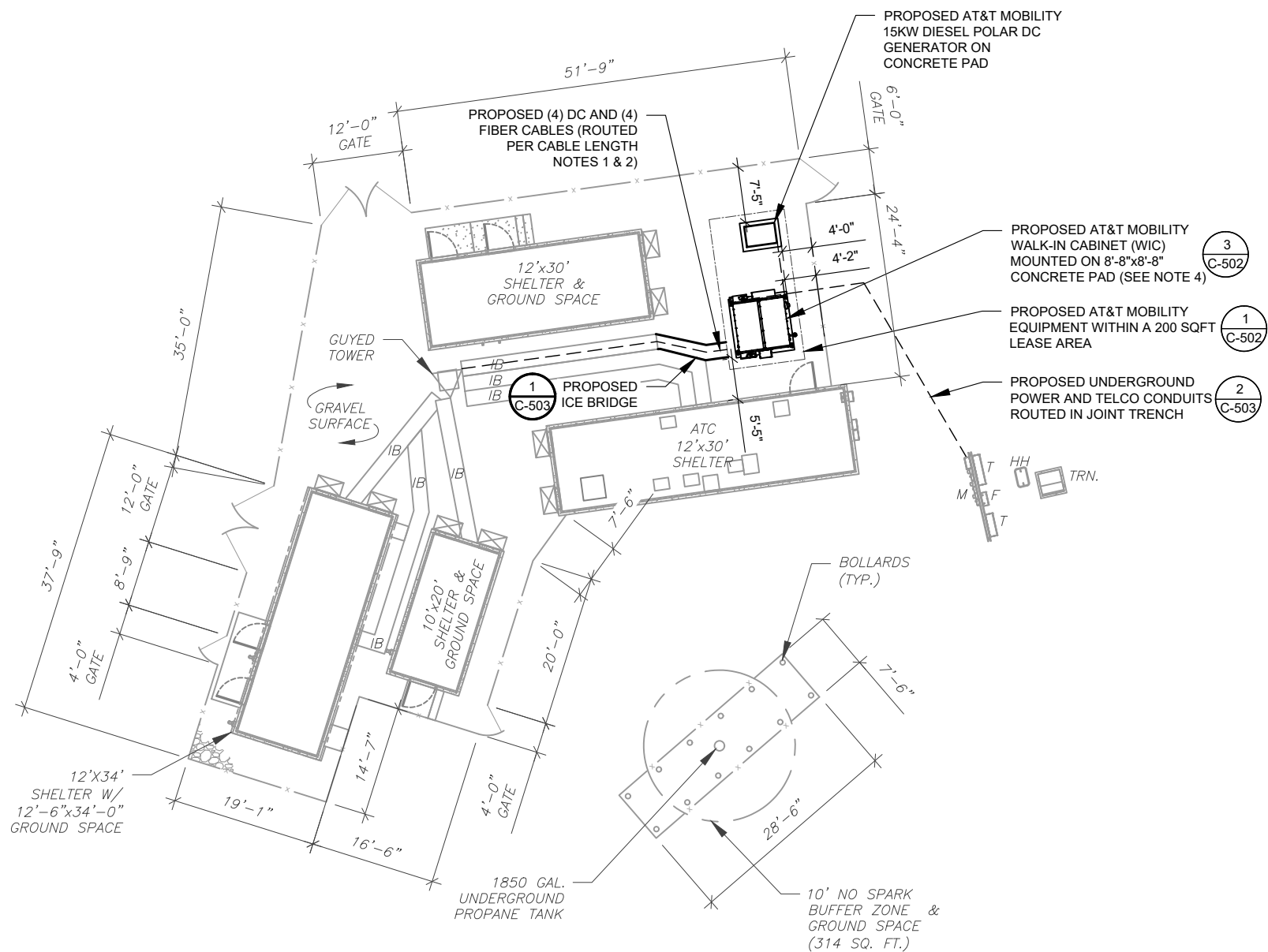
SHEET NUMBER: **C-001** REVISION: **0**

Copyright © 2021 ATC IP, LLC. All Rights Reserved.

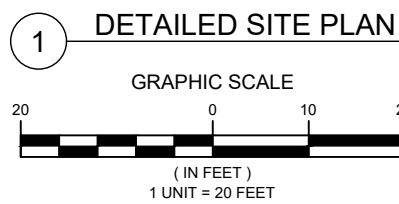
SITE PLAN NOTES:

1. THIS SITE PLAN REPRESENTS THE BEST PRESENT KNOWLEDGE AVAILABLE TO THE ENGINEER AT THE TIME OF THIS DESIGN. THE CONTRACTOR SHALL VISIT THE SITE PRIOR TO CONSTRUCTION AND VERIFY ALL EXISTING CONDITIONS RELATED TO THE SCOPE OF WORK FOR THIS PROJECT.
2. ICE BRIDGE, CABLE LADDER, COAX PORT, AND COAX CABLE ARE SHOWN FOR REFERENCE ONLY. CONTRACTOR SHALL CONFIRM THE EXACT LOCATION OF ALL PROPOSED AND EXISTING EQUIPMENT AND STRUCTURES DEPICTED ON THIS PLAN. BEFORE UTILIZING EXISTING CABLE SUPPORTS, COAX PORTS, INSTALLING NEW PORTS OR ANY OTHER EQUIPMENT, CONTRACTOR SHALL VERIFY ALL ASPECTS OF THE COMPONENTS MEET THE ATC SPECIFICATIONS.
3. IT IS THE RESPONSIBILITY OF THE CONTRACTOR TO COORDINATE WITH THE AT&T MOBILITY REPRESENTATIVE AND LOCAL UTILITY COMPANY FOR THE INSTALLATION OF CONDUITS, CONDUCTORS, BREAKERS, DISCONNECTS, OR ANY OTHER EQUIPMENT REQUIRED FOR ELECTRICAL SERVICE. ALL ELECTRICAL WORK SHALL BE PERFORMED IN ACCORDANCE WITH LATEST EDITION OF THE STATE AND NATIONAL CODES, ORDINANCES AND REGULATIONS APPLICABLE TO THIS PROJECT.
4. COORDINATE REMOVAL OF EXISTING ABANDONED EQUIPMENT SHELTER WITH ATC CM.

LEGEND	
⊗	GROUNDING TEST WELL
ATS	AUTOMATIC TRANSFER SWITCH
B	BOLLARD
CSC	CELL SITE CABINET
D	DISCONNECT
E	ELECTRICAL
F	FIBER
GEN	GENERATOR
G	GENERATOR RECEPTACAL
HH, V	HAND HOLE, VAULT
IB	ICE BRIDGE
K	KENTROX BOX
LC	LIGHTING CONTROL
M	METER
PB	PULL BOX
PP	POWER POLE
T	TELCO
TRN	TRANSFORMER
— x —	CHAINLINK FENCE



- PROPOSED CABLE LENGTH:**
1. ESTIMATED LENGTH OF PROPOSED CABLE 266'. ESTIMATED LENGTH OF CABLE WAS PROVIDED BY CUSTOMER OR CALCULATED BY ADDING THE RAD CENTER AND THE DISTANCE FROM THE SHELTER ENTRY PLATE TO THE TOWER (ALONG THE ICE BRIDGE) AND A SAFETY FACTOR MEASUREMENT OF 15% (OF THE TWO PREVIOUS VALUES), CDS DEFER TO GREATEST CABLE LENGTH.
 2. ROUTE PROPOSED CABLES ALONG SAME PATH AS EXISTING CABLES AND IN ACCORDANCE WITH STRUCTURAL ANALYSIS. IF ADEQUATE SPACE EXISTS, ROUTE CABLES THROUGH ENTRY PORT HOLE, UP INSIDE OF MONOPOLE, AND THROUGH EXIT PORT HOLE. IF ROUTING OUTSIDE THE MONOPOLE, ATTACH CABLES USING STAND-OFF ADAPTERS MOUNTED TO TOWER USING STAINLESS STEEL BANDING. ADEQUATELY SECURE CABLES USING EITHER APPROPRIATELY SIZED STAINLESS STEEL SNAP-INS OR MOUNTING HARDWARE AND BRACKETS AS SPECIFIED BY CABLE MANUFACTURER.



Dewberry®
 Dewberry Engineers Inc.
 99 SUMMER STREET
 SUITE 700
 BOSTON, MA 02110
 PHONE: 617.531.0801
 FAX: 617.695.3310

REV.	DESCRIPTION	BY	DATE
A	PRELIM	MR	05/03/21
B	PRELIM	JL	06/16/21
0	FINAL	JL	07/02/21

ATC SITE NUMBER:
6310
 ATC SITE NAME:
FRANKLIN CT
 AT&T PACE NUMBER:
MRCTB050160
 AT&T SITE NAME:
S1255
 SITE ADDRESS:
 89 DR. NOTT ROAD
 FRANKLIN, CT 06254

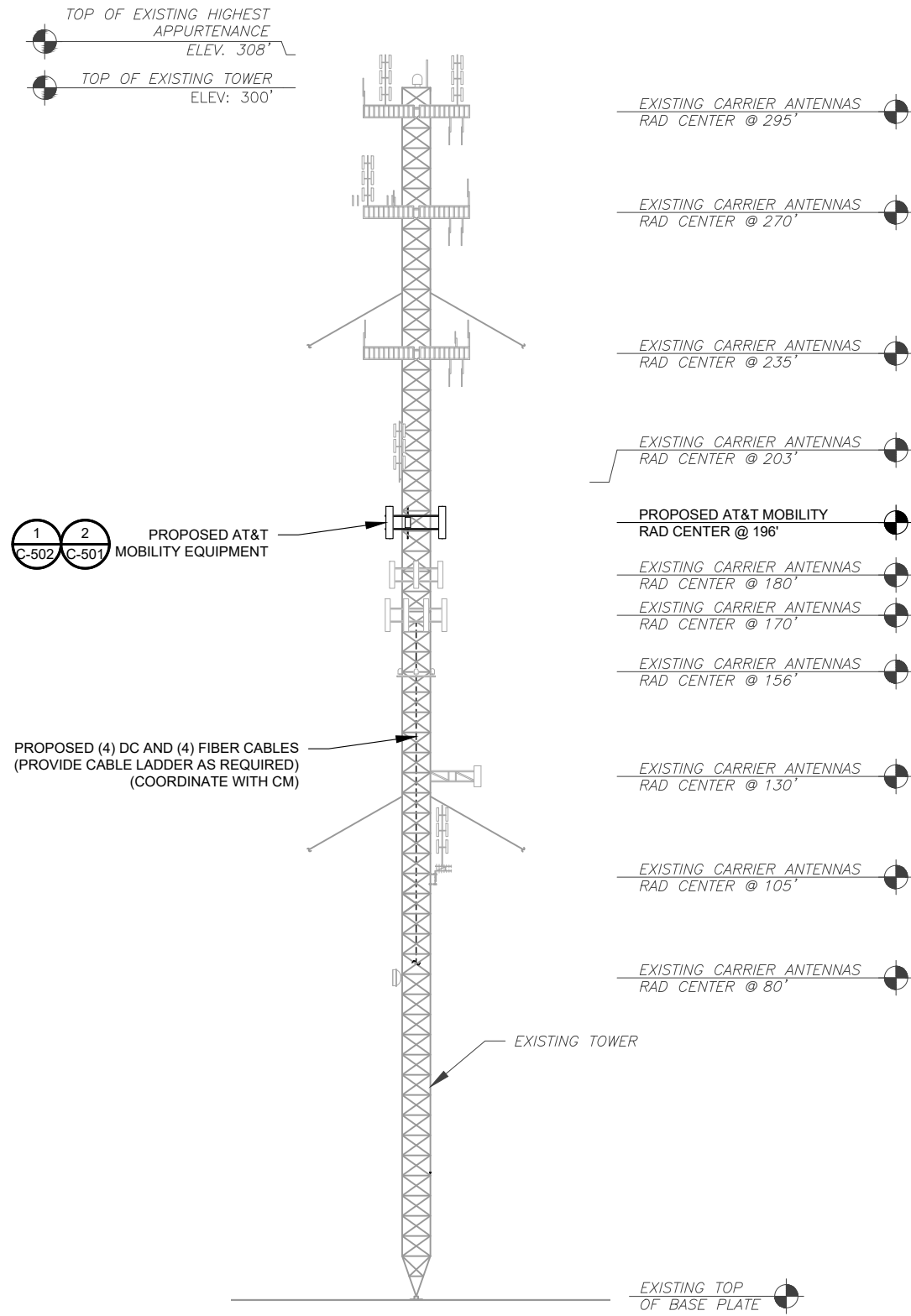


DATE DRAWN:	04/26/21
ATC JOB NO:	13626843
CUSTOMER ID:	MRCTB050160
CUSTOMER #:	S1255

DETAILED SITE PLAN

SHEET NUMBER: C-101	REVISION: 0
-------------------------------	-----------------------

Copyright © 2021 ATC IP, LLC, All Rights Reserved.



1 TOWER ELEVATION
SCALE: N.T.S.

PER THE LATEST MOUNT ANALYSIS COMPLETED BY TOWER ENGINEERING PROFESSIONALS, THE EXISTING MOUNT CAN ADEQUATELY SUPPORT THE PROPOSED LOADING

- TOWER NOTE:**
- IT IS THE CONTRACTOR'S RESPONSIBILITY TO CONFIRM WITH THE PROJECT MANAGER THAT THEY HAVE THE MOST RECENT VERSION OF THE STRUCTURAL ANALYSIS BEFORE COMMENCING WORK. EXISTING AND PROPOSED TOWER APPURTENANCES, MOUNTS, AND ANTENNAS ARE SHOWN BASED ON THE STRUCTURAL ANALYSIS.
 - WHERE APPLICABLE, ALL NEW ANTENNAS, EQUIPMENT, MOUNTS, CABLING, ETC. SHALL BE PAINTED/SOCKED TO MATCH EXISTING EQUIPMENT IN ACCORDANCE WITH FAA, JURISDICTION, AND/OR OTHER LOCAL REQUIREMENTS.
 - ROUTE PROPOSED CABLES ALONG SAME PATH AS EXISTING CABLES AND IN ACCORDANCE WITH STRUCTURAL ANALYSIS. WHERE POSSIBLE UTILIZE EXISTING CABLE SUPPORT STRUCTURES AS PROVIDED FOR CARRIER TO ADEQUATELY SECURE CABLES, USING EITHER APPROPRIATELY SIZED STAINLESS STEEL SNAP-INS OR MOUNTING HARDWARE AND BRACKETS AS SPECIFIED BY CABLE MANUFACTURER. OTHERWISE, ATTACH CABLES TO HORIZONTAL OR DIAGONAL TOWER MEMBERS USING PROPOSED STAINLESS STEEL ADAPTERS (DO NOT ATTACH TO TOWER LEG).
 - TOWER ELEVATIONS ARE MEASURED FROM TOP OF BASE PLATE TO MATCH STRUCTURAL ANALYSIS. ELEVATIONS DO NOT REFLECT TRUE ABOVE GROUND LEVEL (A.G.L.)



Dewberry
Dewberry Engineers Inc.
99 SUMMER STREET
SUITE 700
BOSTON, MA 02110
PHONE: 617.531.0801
FAX: 617.695.3310

REV.	DESCRIPTION	BY	DATE
A	PRELIM	MR	05/03/21
B	PRELIM	JI	06/16/21
0	FINAL	JI	07/02/21

ATC SITE NUMBER:
6310
ATC SITE NAME:
FRANKLIN CT
AT&T PACE NUMBER:
MRCTB050160
AT&T SITE NAME:
S1255
SITE ADDRESS:
89 DR. NOTT ROAD
FRANKLIN, CT 06254

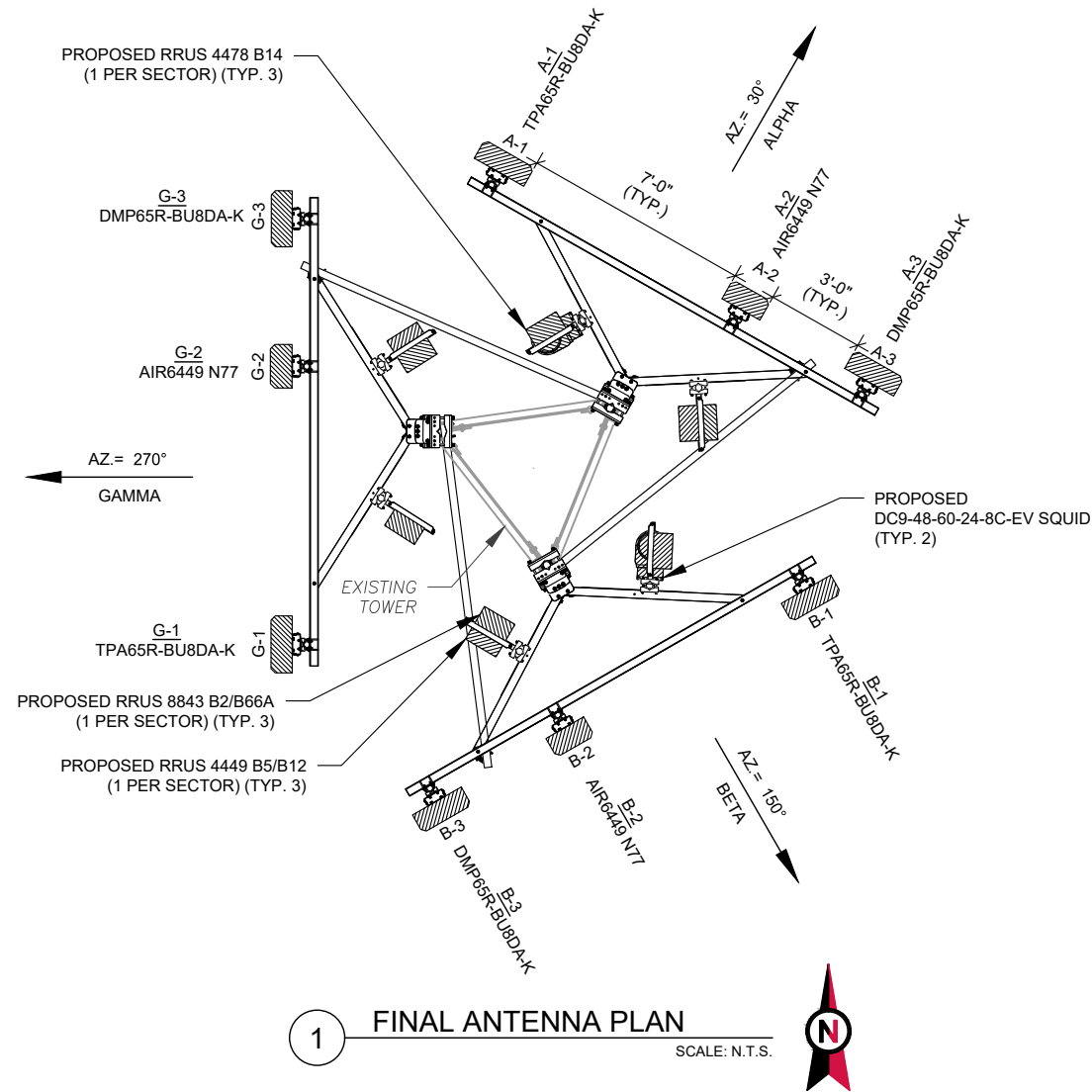


DATE DRAWN:	04/26/21
ATC JOB NO:	13626843
CUSTOMER ID:	MRCTB050160
CUSTOMER #:	S1255

TOWER ELEVATION

SHEET NUMBER:	REVISION:
C-201	0

Copyright © 2021 ATC IP, LLC. All Rights Reserved.



1 FINAL ANTENNA PLAN
SCALE: N.T.S.

FINAL ANTENNA SCHEDULE									
LOCATION			ANTENNA SUMMARY				NON ANTENNA SUMMARY		
SECTOR	RAD	AZ	POS	ANTENNA	BAND	MECH/ELEC D-TILT	STATUS	ADDITIONAL TOWER MOUNTED EQUIPMENT	STATUS
ALPHA	196'	30°	A1	TPA-65R-BU8DA-K	700/AWS/WCS	0/2,2,2	ADD	RRUS 4478 B14	ADD
			A2	AIR 6449 N77	5G 3.5GHZ	0/2	ADD	-	-
			A3	DMP65R-BU8DA-K	700/850/1900	0/2,2,2	ADD	RRUS 4449 B5/B12 RRUS 8843 B2/B66A	ADD ADD
BETA	196'	150°	B1	TPA-65R-BU8DA-K	700/AWS/WCS	0/2,2,2	ADD	RRUS 4478 B14	ADD
			B2	AIR 6449 N77	5G 3.5GHZ	0/2	ADD	-	-
			B3	DMP65R-BU8DA-K	700/850/1900	0/2,2,2	ADD	RRUS 4449 B5/B12 RRUS 8843 B2/B66A	ADD ADD
GAMMA	196'	270°	C1	TPA-65R-BU8DA-K	700/AWS/WCS	0/2,2,2	ADD	RRUS 4478 B14	ADD
			C2	AIR 6449 N77	5G 3.5GHZ	0/2	ADD	-	-
			C3	DMP65R-BU8DA-K	700/850/1900	0/2,2,2	ADD	RRUS 4449 B5/B12 RRUS 8843 B2/B66A	ADD ADD

1. CONFIRM WITH AT&T MOBILITY REP FOR APPLICABLE UPDATES/REVISIONS AND MOST RECENT RFDS FOR NSN CONFIGURATION (CONFIG). GC TO CAP ALL UNUSED PORTS.
2. CONFIRM SPACING OF PROPOSED EQUIP DOES NOT CAUSE TOWER CONFLICTS NOR IMPEDE TOWER CLIMBING PEGS.

2 ANTENNA SCHEDULE

CABLE LENGTHS FOR JUMPERS
FIBER DISTRIBUTION/OVP TO RRU: 15'
RRU TO COMBINER: 10'
COMBINER TO ANTENNA: 10'

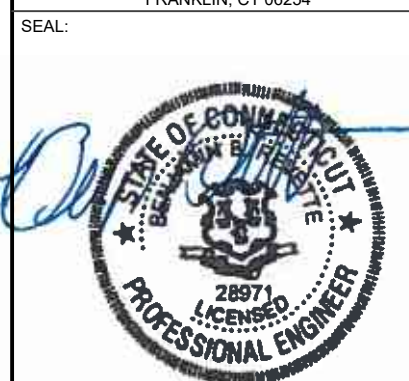
PROPOSED FIBER DISTRIBUTION/OVP BOX		PROPOSED CABLING SUMMARY		
SQUID MODEL NUMBER	STATUS	DC	FIBER	STATUS
(2) DC9-48-60-24-8C-EV	ADD	(4)	(2)	ADD



Dewberry
Dewberry Engineers Inc.
99 SUMMER STREET
SUITE 700
BOSTON, MA 02110
PHONE: 617.531.0801
FAX: 617.695.3310

REV.	DESCRIPTION	BY	DATE
A	PRELIM	MR	05/03/21
B	PRELIM	JI	06/16/21
0	FINAL	JI	07/02/21

ATC SITE NUMBER:
6310
ATC SITE NAME:
FRANKLIN CT
AT&T PACE NUMBER:
MRCTB050160
AT&T SITE NAME:
S1255
SITE ADDRESS:
89 DR. NOTT ROAD
FRANKLIN, CT 06254

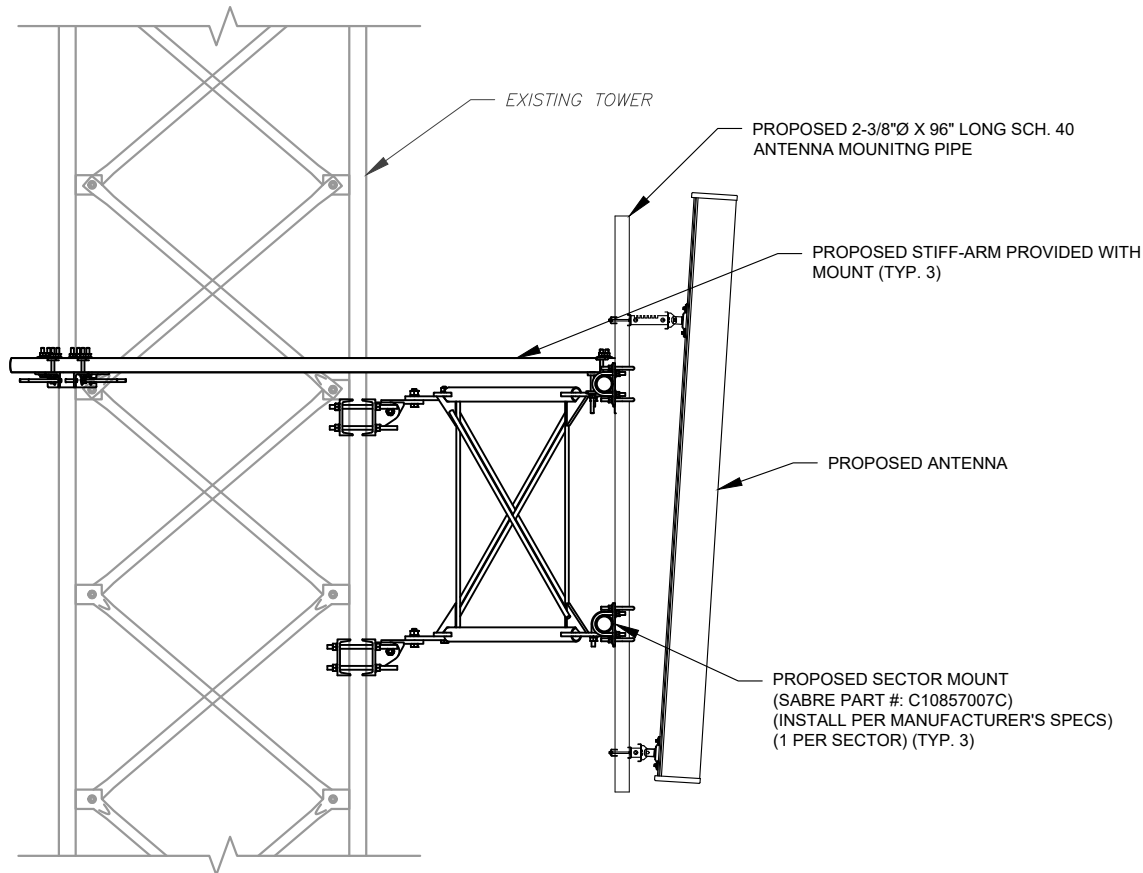


DATE DRAWN:	04/26/21
ATC JOB NO:	13626843
CUSTOMER ID:	MRCTB050160
CUSTOMER #:	S1255

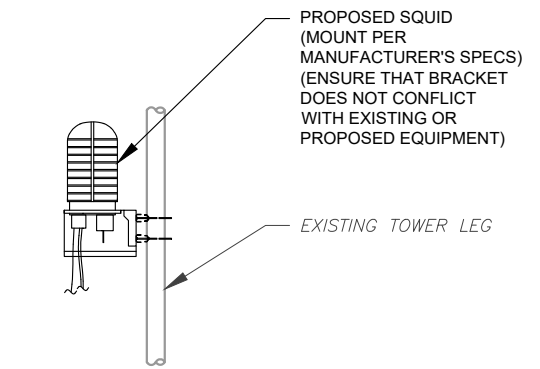
ANTENNA INFORMATION & SCHEDULE

SHEET NUMBER:	REVISION:
C-401	0

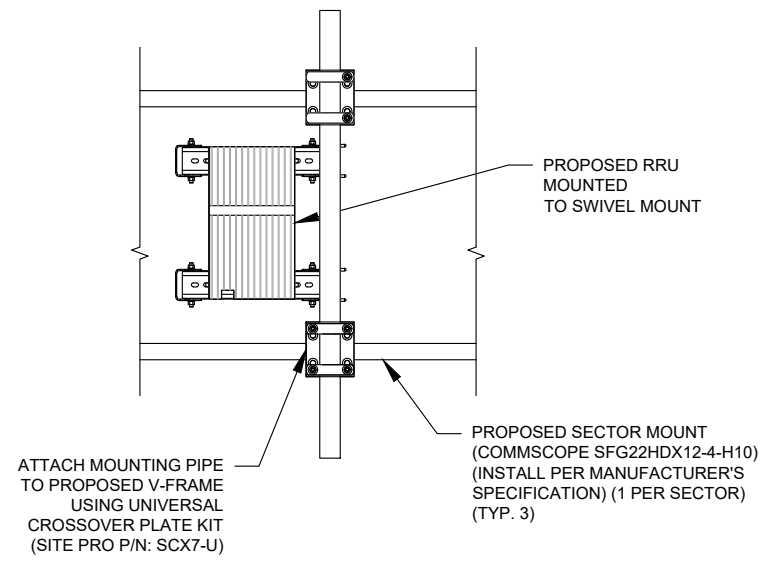
Copyright © 2021 ATC IP, LLC. All Rights Reserved.



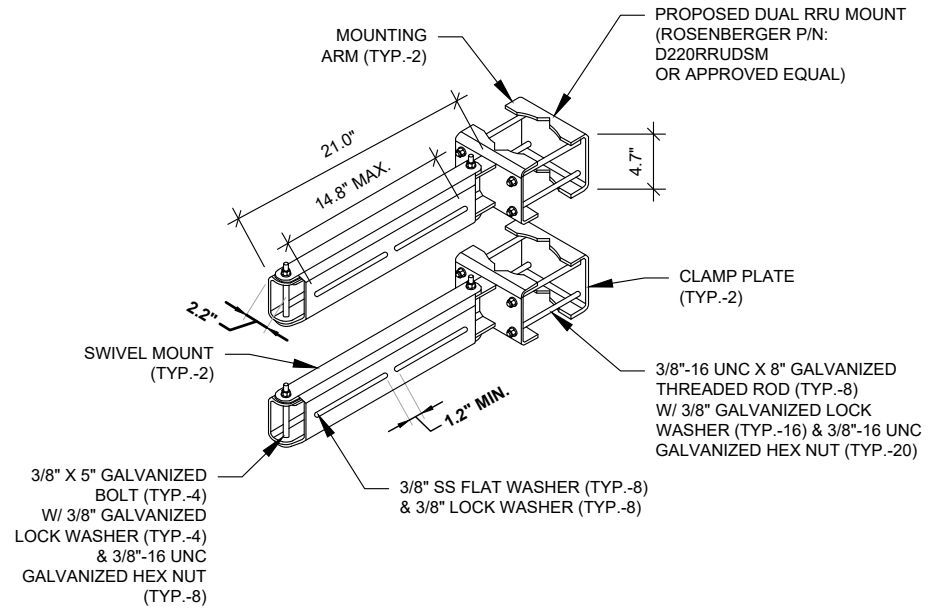
1 PROPOSED ANTENNA MOUNTING DETAIL (ELEVATION)
SCALE: NOT TO SCALE



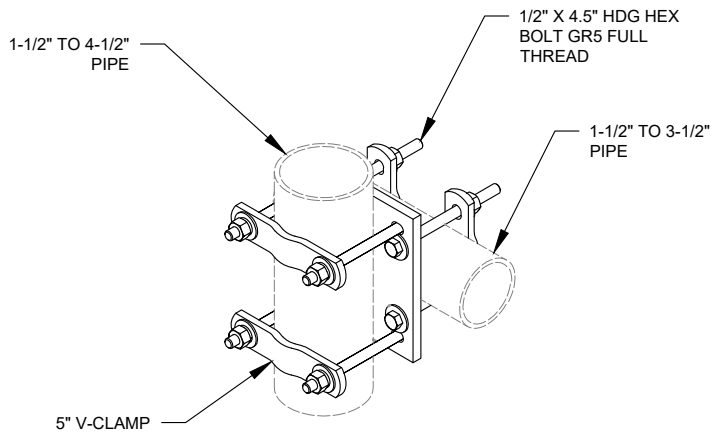
2 PROPOSED SQUID MOUNTING
SCALE: N.T.S.



3 PROPOSED RRU/SQUID MOUNTING DETAIL
SCALE: NOT TO SCALE



4 PROPOSED SWIVEL MOUNT DETAIL
SCALE: N.T.S.



5 SITE PRO SCX7-U DETAIL
SCALE: N.T.S.



Dewberry
Dewberry Engineers Inc.
99 SUMMER STREET
SUITE 700
BOSTON, MA 02110
PHONE: 617.531.0801
FAX: 617.695.3310

REV.	DESCRIPTION	BY	DATE
A	PRELIM	MR	05/03/21
B	PRELIM	JL	06/16/21
0	FINAL	JL	07/02/21

ATC SITE NUMBER:
6310

ATC SITE NAME:
FRANKLIN CT

AT&T PACE NUMBER:
MRCTB050160

AT&T SITE NAME:
S1255

SITE ADDRESS:
89 DR. NOTT ROAD
FRANKLIN, CT 06254

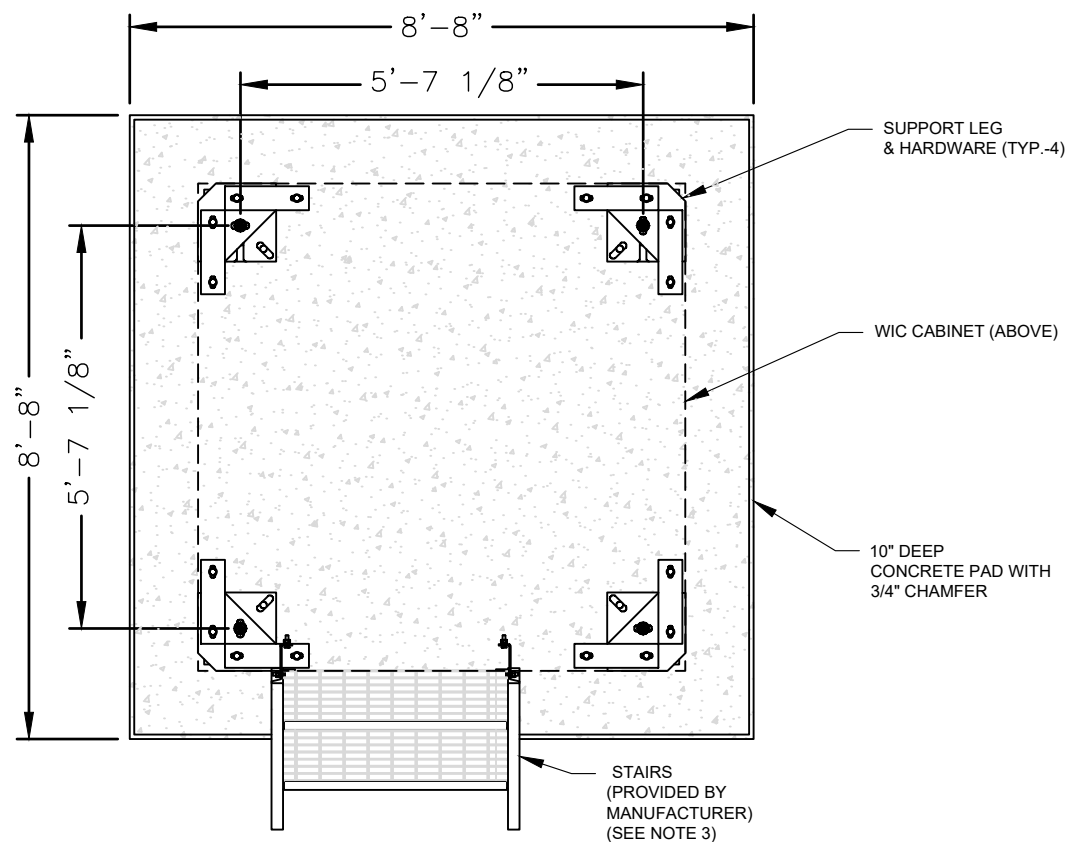


DATE DRAWN:	04/26/21
ATC JOB NO:	13626843
CUSTOMER ID:	MRCTB050160
CUSTOMER #:	S1255

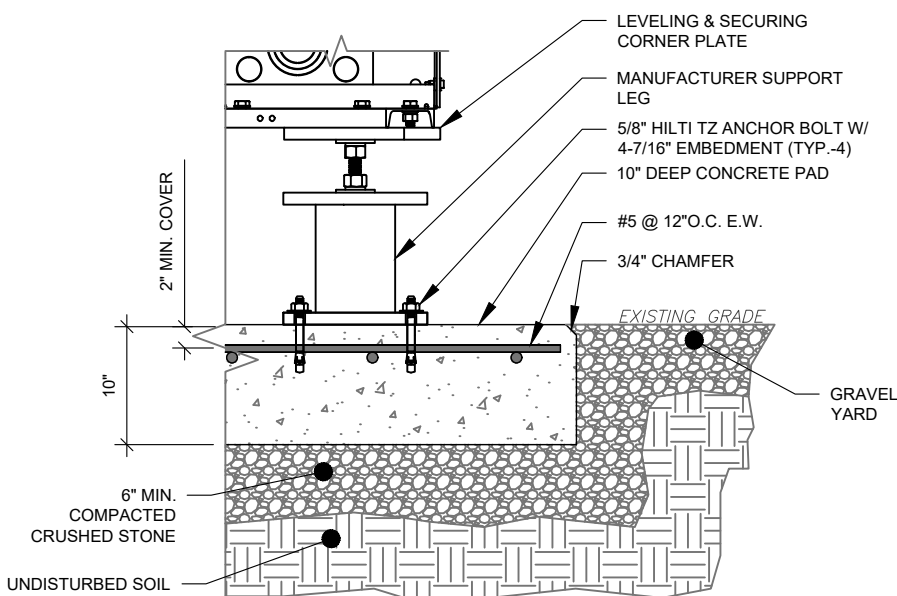
MOUNT DETAILS

SHEET NUMBER:	REVISION:
C-501	0

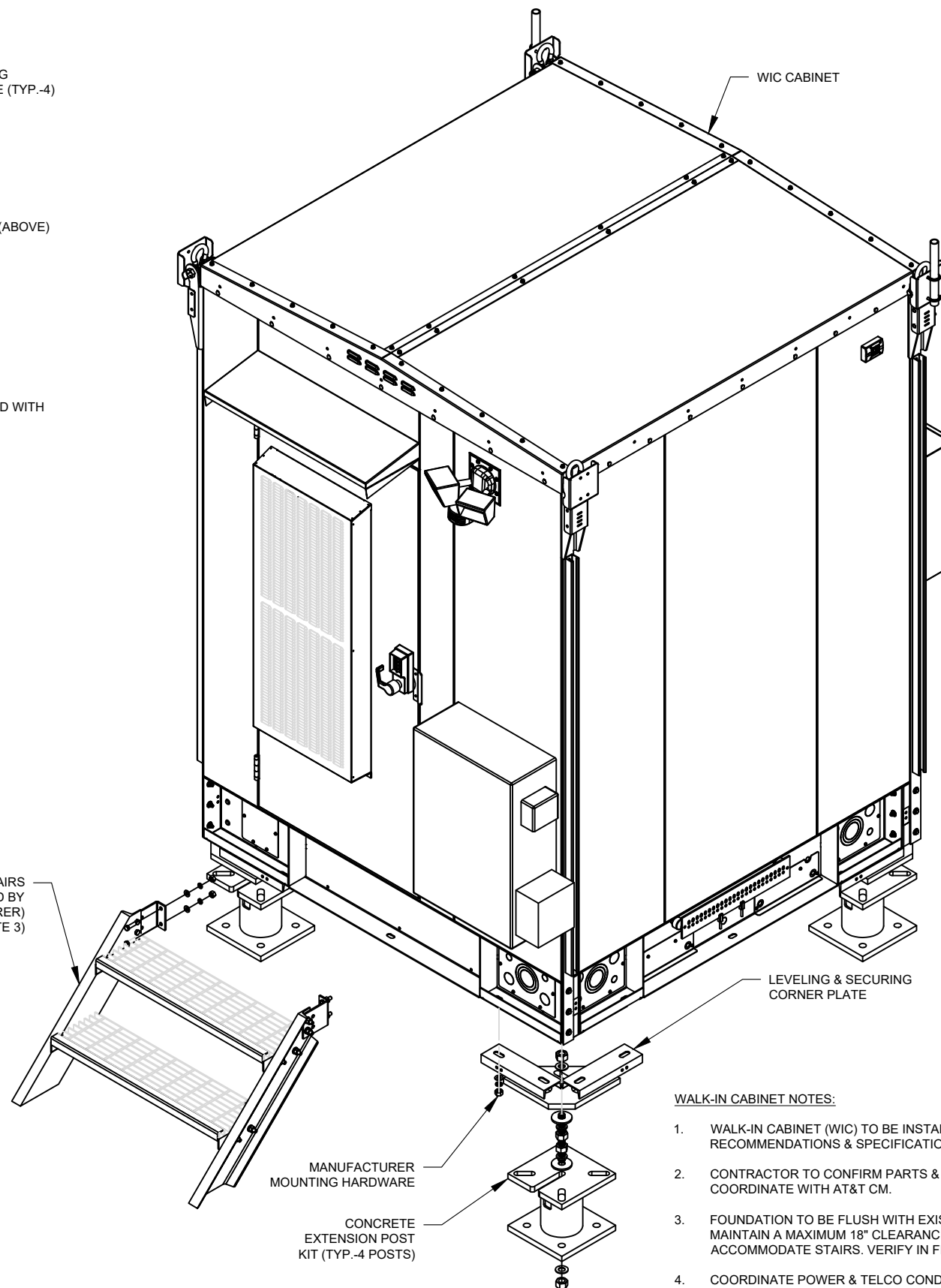
Copyright © 2021 ATC IP, LLC. All Rights Reserved.



1 WIC FOUNDATION DETAIL
SCALE: NOT TO SCALE



2 WIC BASE SECTION
SCALE: NOT TO SCALE



3 WIC ISOMETRIC
SCALE: NOT TO SCALE

WALK-IN CABINET NOTES:

1. WALK-IN CABINET (WIC) TO BE INSTALLED ACCORDING TO MANUFACTURER RECOMMENDATIONS & SPECIFICATIONS.
2. CONTRACTOR TO CONFIRM PARTS & HARDWARE PRIOR TO CONSTRUCTION & COORDINATE WITH AT&T CM.
3. FOUNDATION TO BE FLUSH WITH EXISTING GRADE. CONTRACTOR SHALL MAINTAIN A MAXIMUM 18" CLEARANCE FROM GRADE TO BOTTOM OF WIC TO ACCOMMODATE STAIRS. VERIFY IN FIELD PRIOR TO POST INSTALLATION.
4. COORDINATE POWER & TELCO CONDUIT STUBUP PLACEMENT WITH ELECTRICAL TRADES. SEE E-1 FOR ADDITIONAL INFORMATION.
5. PROVIDE WORKING HVAC AND ELECTRICAL WORKING SPACE CLEARANCES PER MANUFACTURER RECOMMENDATIONS & CODE REQUIREMENTS.
6. WIC DIMENSIONS: 6'-8"W X 6'-8"L X 9'-6" TALL (NO BASE)
WIC WEIGHT: 5500 LBS (EMPTY) 7500 LBS (FULLY INTEGRATED)
7. CONTRACTOR TO PROVIDE AND INSTALL SPECIFIED CONCRETE ANCHORS.



Dewberry Engineers Inc.
99 SUMMER STREET
SUITE 700
BOSTON, MA 02110
PHONE: 617.531.0801
FAX: 617.695.3310

REV.	DESCRIPTION	BY	DATE
A	PRELIM	MR	05/03/21
B	PRELIM	JI	06/16/21
0	FINAL	JI	07/02/21

ATC SITE NUMBER:
6310
ATC SITE NAME:
FRANKLIN CT
AT&T PACE NUMBER:
MRCTB050160
AT&T SITE NAME:
S1255
SITE ADDRESS:
89 DR. NOTT ROAD
FRANKLIN, CT 06254

SEAL:

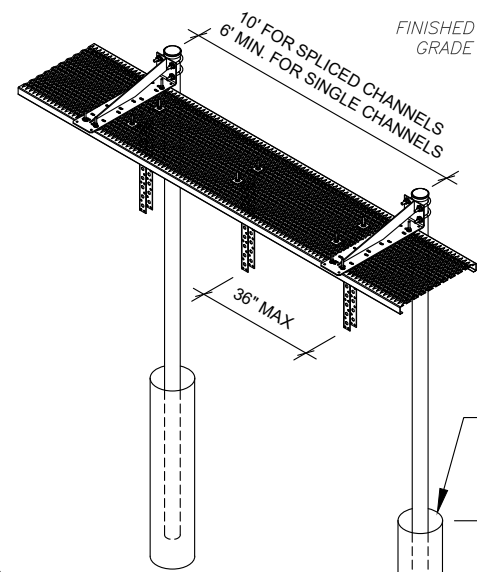


DATE DRAWN:	04/26/21
ATC JOB NO:	13626843
CUSTOMER ID:	MRCTB050160
CUSTOMER #:	S1255

**CONSTRUCTION
DETAILS**

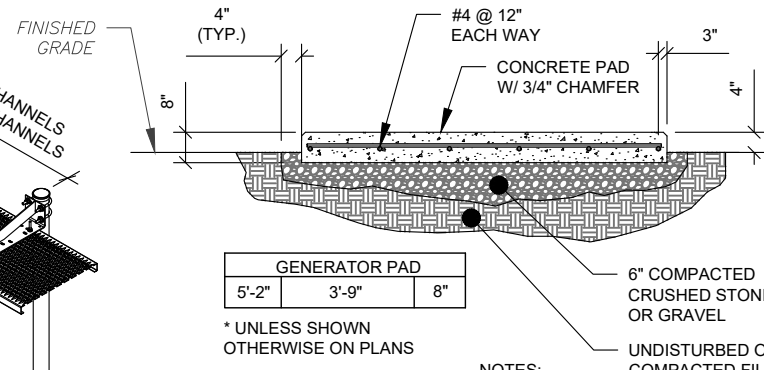
SHEET NUMBER:	REVISION:
C-502	0

Copyright © 2021 ATC IP, LLC. All Rights Reserved.



ICE BRIDGE NOTES:

1. INCLUDES (3) UNIVERSAL VERTICAL TRAPEZE KITS PER 10' SPAN.
2. ALL COMPONENTS SHALL BE INSTALLED ACCORDING TO MANUFACTURER'S SPECIFICATIONS.
3. CONTRACTOR SHALL DETERMINE REQUIRED QUANTITY OF ALL ICE BRIDGE COMPONENTS.
4. SNAP-IN HANGERS, SPLICE KITS, HINGE KITS, EXTENSION KITS, STIFFENERS, AND OTHER MISCELLANEOUS HARDWARE SHALL BE PROVIDED BY THE CONTRACTOR AS REQUIRED.
5. ICE BRIDGE SHALL BE ROUTED TO ACCOMMODATE THE MINIMUM BENDING RADIUS OF THE COAXIAL CABLE.
6. ICE BRIDGE COMPONENTS SHOWN ARE SCHEMATIC, CONSULT MANUFACTURER FOR EXACT AND CURRENT SPECIFICATIONS.
7. USE BASE SHOE FOR ANCHORING TO CONCRETE PAD.



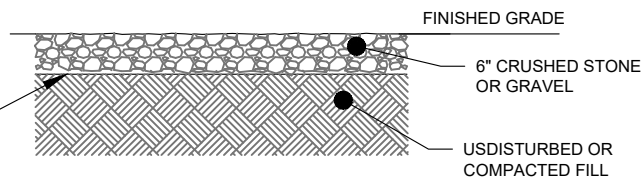
GENERATOR PAD		
5'-2"	3'-9"	8"

* UNLESS SHOWN OTHERWISE ON PLANS

NOTES:

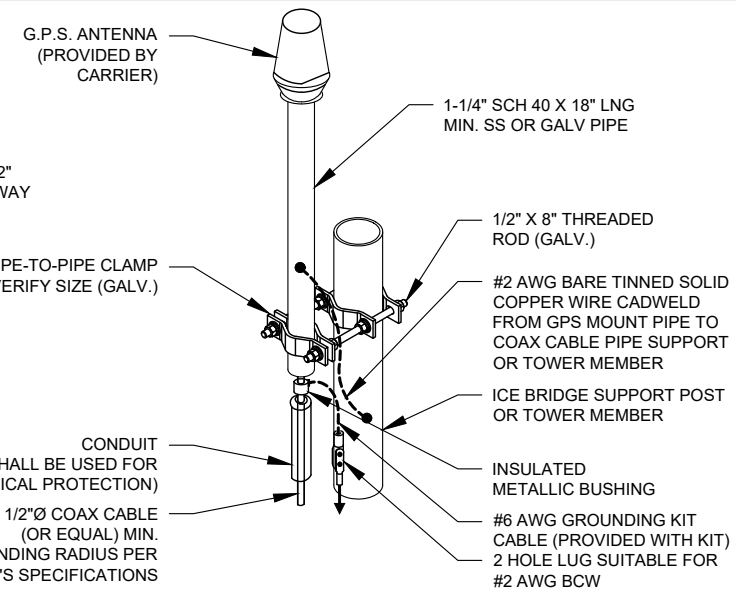
1. USE GALVANIZED HILTI EXPANSION ANCHORS OR, APPROVED EQUAL, FOR EQUIPMENT ANCHORAGE.
2. VERIFY THE SIZE OF THE GENERATOR WITH THE AT&T.
3. FOR SIZE AND LOCATION OF ANCHORS AND OTHER REQUIREMENT, SEE EQUIPMENT VENDOR DRAWINGS.

2 OUTDOOR PAD FOR MINOR EQUIPMENT
SCALE: NOT TO SCALE



1. BEARING STRATA MEDIUM TO DENSE INSET GRANULAR MATERIAL OR COMPACTED GRAVEL FILL. 95% COMPACTION.
2. FILL SHALL CONSIST OF CLEAN SOIL. NO DELETERIOUS MATERIALS OR ORGANICS TO BE USED.

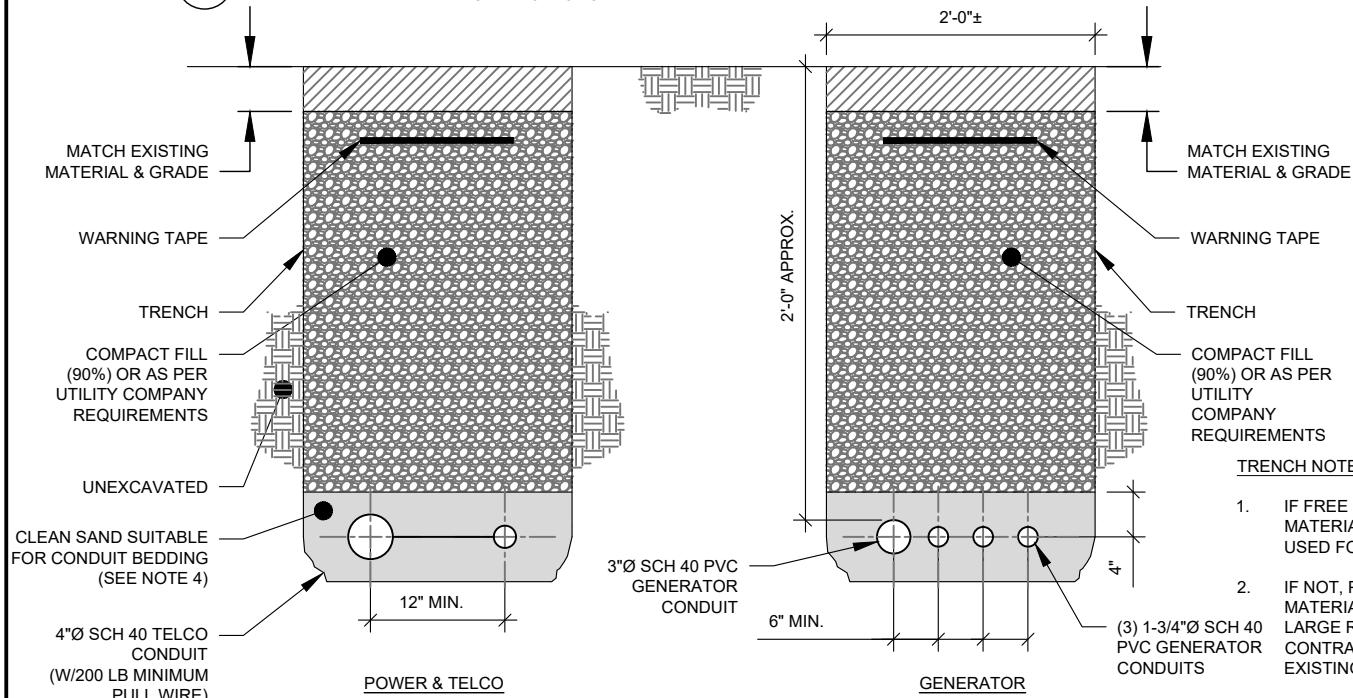
4 GRAVEL YARD DETAIL
SCALE: NOT TO SCALE



- NOTE:**
1. GPS SHALL BE PLACED WITH CLEAR SIGHT LINE TO THE SOUTHERN SKY.
 2. CONTRACTOR TO SUPPLY COAX FOR GPS UNIT.

3 GPS ANTENNA ATTACHMENT DETAIL
SCALE: NOT TO SCALE

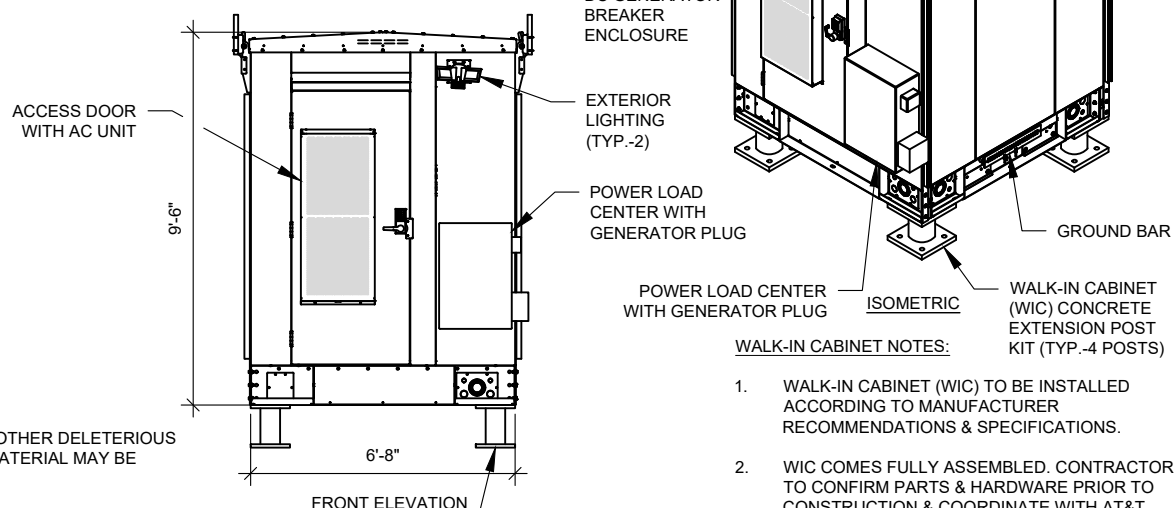
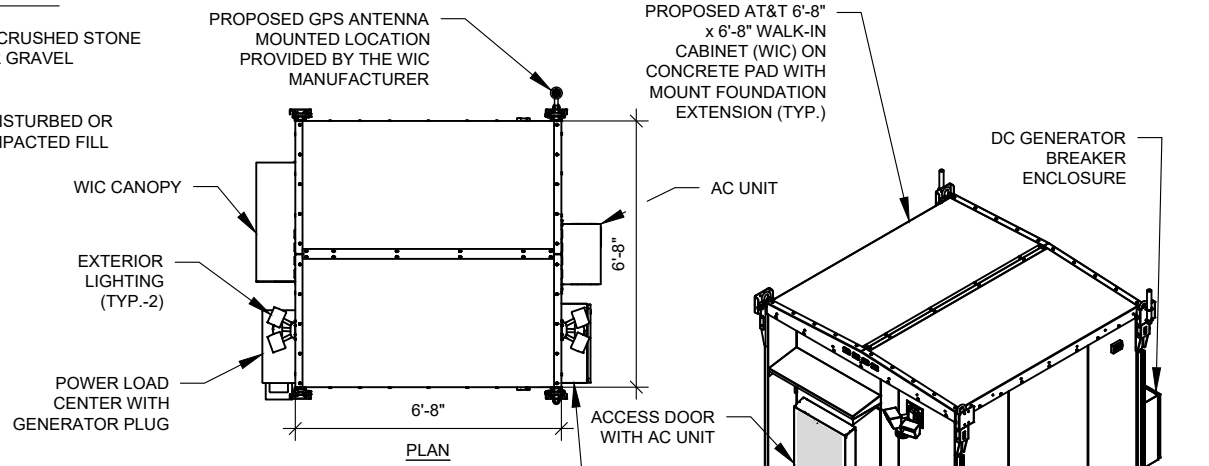
1 WAVEGUIDE BRIDGE KIT
SCALE: NOT TO SCALE



TRENCH NOTES:

1. IF FREE OF ORGANIC OR OTHER DELETERIOUS MATERIAL, EXCAVATED MATERIAL MAY BE USED FOR BACKFILL.
2. IF NOT, PROVIDE CLEAN, COMPACTIBLE MATERIAL. COMPACT IN 8" LIFTS. REMOVE ANY LARGE ROCKS PRIOR TO BACKFILLING. CONTRACTOR TO VERIFY LOCATION OF EXISTING U/G UTILITIES PRIOR TO DIGGING.
3. IF CURRENT AS-BUILT DRAWINGS ARE NOT AVAILABLE CONTRACTOR SHALL HAND DIG U/G TRENCHING.
4. CONCRETE ENCASE CONDUIT WHEN TRENCHING UNDER SITE ACCESS ROAD.

5 BURIED CONDUIT TRENCH DETAIL
SCALE: NOT TO SCALE



WALK-IN CABINET NOTES:

1. WALK-IN CABINET (WIC) TO BE INSTALLED ACCORDING TO MANUFACTURER RECOMMENDATIONS & SPECIFICATIONS.
2. WIC COMES FULLY ASSEMBLED. CONTRACTOR TO CONFIRM PARTS & HARDWARE PRIOR TO CONSTRUCTION & COORDINATE WITH AT&T CM.
3. CONTRACTOR SHALL MAINTAIN A MAXIMUM 18" CLEARANCE FROM GRADE TO BOTTOM OF WIC TO ACCOMMODATE STAIRS. VERIFY IN FIELD PRIOR TO POST INSTALLATION.

6 WIC DETAIL
SCALE: NOT TO SCALE

Dewberry
Dewberry Engineers Inc.
99 SUMMER STREET
SUITE 700
BOSTON, MA 02110
PHONE: 617.531.0801
FAX: 617.695.3310

REV.	DESCRIPTION	BY	DATE
A	PRELIM	MR	05/03/21
B	PRELIM	JL	06/16/21
0	FINAL	JL	07/02/21

ATC SITE NUMBER:
6310

ATC SITE NAME:
FRANKLIN CT

AT&T PACE NUMBER:
MRCTB050160

AT&T SITE NAME:
S1255

SITE ADDRESS:
89 DR. NOTT ROAD
FRANKLIN, CT 06254

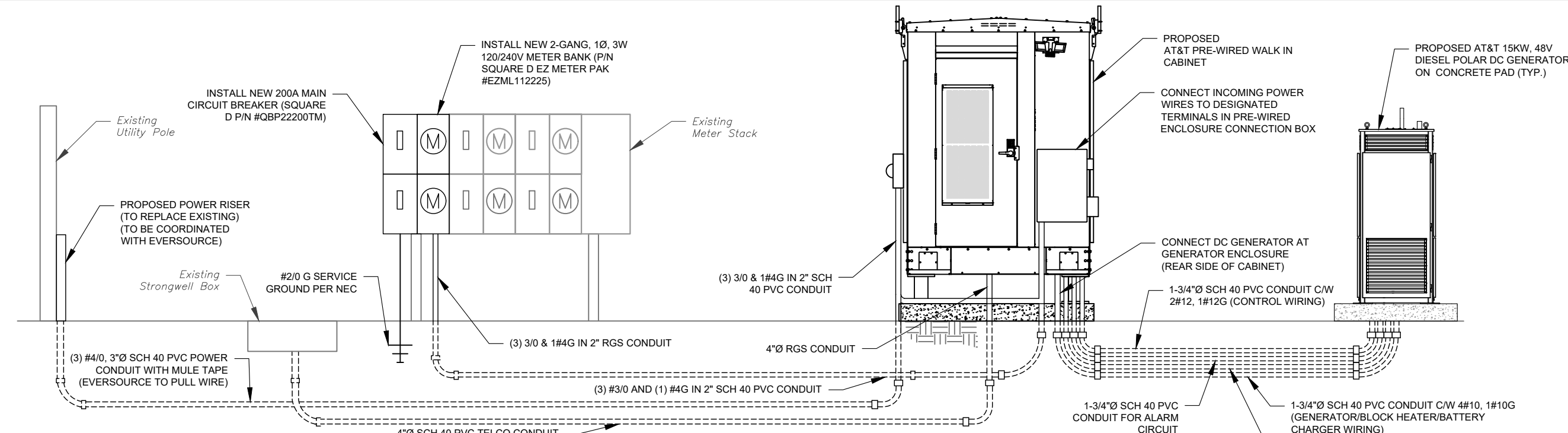


DATE DRAWN:	04/26/21
ATC JOB NO:	13626843
CUSTOMER ID:	MRCTB050160
CUSTOMER #:	S1255

CONSTRUCTION DETAILS

SHEET NUMBER:
C-503

REVISION:
0



GENERAL ELECTRICAL NOTES

- ALL ELECTRICAL WORK SHALL BE DONE IN ACCORDANCE WITH ALL GOVERNING STATE, COUNTY & LOCAL CODES, O.S.H.A., NEC, NFPA #70, AT&T MOBILITY SPECIFICATIONS, & THE SPECIFICATIONS DETAILED IN THESE PLANS.
- SUBMITTAL OF BID INDICATES CONTRACTOR IS COGNIZANT OF ALL JOB SITE CONDITIONS & WORK TO BE PERFORMED UNDER THIS CONTRACT.
- CONTRACTOR SHALL PERFORM ALL VERIFICATION, OBSERVATION, TESTS, & EXAMINATION WORK PRIOR TO THE ORDERING OF THE ELECTRICAL EQUIPMENT & THE ACTUAL CONSTRUCTION. CONTRACTOR SHALL ISSUE A WRITTEN NOTICE OF ALL FINDINGS TO THE PROJECT MANAGER LISTING ALL MALFUNCTIONS, FAULTY EQUIPMENT, & DISCREPANCIES.
- THESE PLANS ARE DIAGRAMMATIC ONLY, FOLLOW AS CLOSELY AS POSSIBLE. CONTRACTOR SHALL ENSURE THAT ACCESS TO EQUIPMENT IS MAINTAINED IN ACCORDANCE WITH MANUFACTURER SPECIFICATIONS & ALL APPLICABLE CODES.
- EACH CONDUCTOR OF EVERY SYSTEM SHALL BE PERMANENTLY TAGGED IN EACH PANELBOARD, PULLBOX, J-BOX, SWITCH BOX, ETC., IN COMPLIANCE WITH OCCUPATIONAL SAFETY & HEALTH ADMINISTRATION (OSHA).
- CONTRACTOR SHALL PROVIDE ALL LABOR, MATERIALS, INSURANCE, EQUIPMENT, INSTALLATION, CONSTRUCTION TOOLS, TRANSPORTATION, ETC., FOR A COMPLETE & PROPERLY OPERATIVE SYSTEM, ENERGIZED THROUGHOUT & AS INDICATED ON DRAWINGS, AS SPECIFIED HEREIN AND/OR AS OTHERWISE REQUIRED.
- ALL MATERIALS & EQUIPMENT SHALL BE NEW & IN PERFECT CONDITION WHEN INSTALLED & SHALL BE OF THE BEST GRADE & OF THE SAME MANUFACTURER THROUGHOUT FOR EACH CLASS OR GROUP OF EQUIPMENT. MATERIALS SHALL BE LISTED & APPROVED BY UNDERWRITER'S LABORATORY & SHALL BEAR THE INSPECTION LABEL "J" WHERE SUBJECT TO SUCH APPROVAL. MATERIALS SHALL MEET WITH APPROVAL OF ALL GOVERNING BODIES HAVING JURISDICTION. MATERIALS SHALL BE MANUFACTURED IN ACCORDANCE WITH APPLICABLE STANDARDS ESTABLISHED BY ANSI, NEMA, IEEE, & NFPA.
- ALL CONDUIT INSTALLED MAY BE SURFACE MOUNTED UNLESS OTHERWISE NOTED.
- COMPLETE JOB SHALL BE GUARANTEED FOR A PERIOD OF ONE (1) YEAR AFTER THE DATE OF JOB ACCEPTANCE BY OWNER. ANY WORK, MATERIAL OR EQUIPMENT FOUND TO BE FAULTY DURING THAT PERIOD SHALL BE CORRECTED AT ONCE, UPON WRITTEN NOTIFICATION, AT THE EXPENSE OF THE CONTRACTOR.
- ALL "CONDUIT ONLY" (C.O.) INSTALLATIONS SHALL HAVE A 3/8" PULL WIRE OR ROPE.
- CONTRACTOR SHALL PROVIDE AT&T MOBILITY MANAGER WITH ONE SET OF COMPLETE ELECTRICAL "AS INSTALLED" DRAWINGS AT THE COMPLETION OF THE JOB, SHOWING ACTUAL DIMENSIONS, ROUTINGS, & CIRCUITS.
- ALL BROCHURES, OPERATING MANUALS, CATALOGS, SHOP DRAWINGS, ETC. SHALL BE TURNED OVER TO OWNER AT JOB COMPLETION.
- POWER WIRE & CABLE CONDUCTORS SHALL BE COPPER #12 AWG MINIMUM UNLESS SPECIFICALLY NOTED OTHERWISE ON DRAWINGS. CONDUCTORS #10 AWG & SMALLER SHALL BE SOLID.
- ALL CONDUCTORS LARGER THAN #10 AWG SHALL BE STRANDED COPPER WITHIN 600V INSULATION, UNLESS NOTED OTHERWISE.
- ALL MATING SURFACES OF GROUND CONNECTIONS SHALL BE CLEANED SMOOTH & COATED WITH ANTIOXIDANT PRIOR TO ATTACHMENT.
- ALL GROUND CONNECTIONS BELOW GRADE MUST BE EXOTHERMICALLY WELDED (CAD WELD OR APPROVED EQUAL)
- ALL EXTERIOR GROUNDING CONDUCTORS SHALL BE #2 AWG SOLID TINNED BARE COPPER WIRE UNLESS NOTED OTHERWISE.
- ALL CIRCUIT BREAKERS, FUSES & ELECTRICAL EQUIPMENT SHALL HAVE AN INTERRUPTING RATING NOT LESS THE MAXIMUM SHORT CIRCUIT CURRENT TO WHICH THEY MAY BE SUBJECTED, & A MINIMUM OF 10,000 A.I.C. COORDINATE SHORT CIRCUIT REQUIREMENTS WITH LOCAL UTILITY COMPANY.
- CONTRACTOR SHALL PATCH, REPAIR, & PAINT ANY AREA THAT HAS BEEN DAMAGED IN THE COURSE OF THE ELECTRICAL WORK.
- IN DRILLING HOLES INTO CONCRETE WHETHER FOR FASTENING OR ANCHORING PURPOSES, OR PENETRATIONS THROUGH THE FLOOR FOR CONDUIT RUNS, M PIPE RUNS, ETC., IT MUST BE CLEARLY UNDERSTOOD THAT TENDONS AND/OR REINFORCING STEEL WILL NOT BE DRILLED INTO, CUT OR DAMAGED UNDER ANY CIRCUMSTANCES.
- LOCATION OF TENDONS AND/OR REINFORCING STEEL ARE NOT DEFINITELY KNOWN &, THEREFORE, MUST BE SEARCHED FOR BY APPROPRIATE METHODS & EQUIPMENT VIA X-RAY OR OTHER DEVICES THAT CAN ACCURATELY LOCATE THE REINFORCING AND/OR STEEL TENDONS.
- PENETRATIONS IN FIRE RATED WALLS SHALL BE SEALED IN ACCORDANCE WITH ALL APPLICABLE CODES.
- ALL MATERIALS SHALL BE U.L. LISTED.

- 1 ELECTRICAL RISER DIAGRAM**
SCALE: N.T.S.
- CONDUIT:
 - RIGID CONDUIT SHALL BE U.L. LABEL GALVANIZED ZINC COATED WITH ZINC INTERIOR & SHALL BE USED WHEN INSTALLED IN OR UNDER CONCRETE SLABS, IN CONTACT WITH THE EARTH, UNDER PUBLIC ROADWAYS, IN MASONRY WALLS OR EXPOSED ON BUILDING EXTERIOR. RIGID CONDUIT IN CONTACT WITH EARTH SHALL BE 1/2 LAPPED RAPPED WITH HUNTS WRAP PROCESS NO. 3.
 - ELECTRICAL METALLIC TUBING SHALL HAVE U.L. LABEL. FITTINGS SHALL BE GLAND RING COMPRESSION TYPE. EMT SHALL BE USED ONLY FOR INTERIOR RUNS.
 - FLEXIBLE METALLIC CONDUIT SHALL HAVE U.L. LISTED LABEL & MAY BE USED WHERE PERMITTED BY CODE. FITTINGS SHALL BE "JAKE" OR "SQUEEZE" TYPE, SEAL TIGHT FLEXIBLE CONDUIT. ALL CONDUIT SHALL HAVE FULL SIZE GROUND WIRE.
 - CONDUIT RUNS MAY BE SURFACE MOUNTED IN CEILINGS OR WALLS UNLESS INDICATED OTHERWISE. CONDUIT SHALL RUN PARALLEL OR AT RIGHT ANGLES TO CEILING, FLOOR OR BEAMS. VERIFY EXACT ROUTING OF ALL EXPOSED CONDUIT WITH ENGINEER PRIOR TO INSTALLING.
 - ALL ELECTRICAL EQUIPMENT SHALL BE LABELED WITH PERMANENT ENGRAVED PLASTIC LABELS.
 - CONTRACTOR SHALL COORDINATE THE ELECTRICAL SERVICE WITH AT&T MOBILITY & LOCAL UTILITY.
 - THE ENTIRE ELECTRICAL INSTALLATION SHALL BE GROUNDED AS REQUIRED BY NEC & ALL APPLICABLE CODES.
 - GROUNTING SYSTEM RESISTANCE SHALL NOT EXCEED 5 OHMS. IF THE RESISTANCE VALUE IS EXCEEDED, NOTIFY THE OWNER FOR FURTHER INSTRUCTION ON METHODS FOR REDUCING THE RESISTANCE VALUE. CONTRACTOR SHALL SUBMIT TO THE PROJECT MANAGER ALL TEST REPORTS & ONE COMPLETE SET OF PRINTS SHOWING "INSTALLED WORK".
 - UPON COMPLETION OF WORK, CONDUCT CONTINUITY, & FALL OF POTENTIAL GROUNDING TESTS FOR APPROVAL. SUBMIT TEST REPORTS TO PROJECT MANAGER. CLEAN PREMISES OF ALL DEBRIS RESULTING FROM WORK & LEAVE WORK IN A COMPLETE & UNDAMAGED CONDITION.
 - ALL EXPOSED GROUND WIRES ROUTED ALONG THE SIDE OF EQUIPMENT SHELTERS OR ROUTED OVER CONCRETE FOUNDATIONS OR OTHER EXISTING STRUCTURES SHALL BE INSTALLED IN PROPERLY ANCHORED 3/4" (MIN.) PVC CONDUIT.
 - CONTRACTOR SHALL NOT DISTURB EXISTING GROUNDING SYSTEM. ANY DAMAGE SHALL BE REPAIRED IMMEDIATELY AT NO ADDITIONAL COST.
 - ALL ELEMENTS OF ICE BRIDGE & AT&T MOBILITY UTILITY BACKBOARD MUST BE BONDED & JUMPERED TO GROUNDED COMPONENTS OF THESE SYSTEMS.
 - ALL INTERIOR CABLES & WIRING SHALL BE NEATLY ROUTED IN OVERHEAD LADDER RACK & FASTENED TO LADDER RACK.
 - ALL GROUNDING CONDUCTORS SHALL BE ROUTED DOWNWARDS FROM POINT OF ORIGIN TO TERMINATION POINT (GROUND BAR, GROUND RING, ETC.)
 - GROUNTING CONDUCTORS SHALL NOT REVERSE DIRECTION (EXCEPT HALO & BURIED GROUND RINGS). OTHER EXCEPTIONS NEED TO BE APPROVED BY AT&T MOBILITY CONSTRUCTION MANAGER PRIOR TO INSTALLATION.
 - GROUNTING CONDUCTORS SHALL HAVE A MINIMUM BENDING RADIUS OF 8".
 - ALL CONNECTIONS TO GROUND PLATES SHALL BE CAD WELDED TO THE CENTER OF THE PLATE. ALL DETAILS SHOWING CONNECTIONS TO GROUND RODS ARE ALSO VALID FOR SIMILAR CONNECTIONS TO GROUND PLATES.
 - FOLLOWING COMPLETION OF WORK, PROVIDE OWNER WITH AS-BUILT DRAWINGS SHOWING TELEPHONE & ELECTRIC LOCATIONS.
 - WORK SHALL CONFORM TO THE NATIONAL ELECTRICAL CODE.
 - COORDINATE WITH UTILITY & LOCAL ELECTRICAL INSPECTOR FOR FINAL POWER CONNECTION.
 - UTILITY WILL SUPPLY METER. COORDINATE WITH UTILITY FOR METER TYPE & INTERCONNECTION.
 - ALL EXISTING UNDERGROUND LINES ON SITE TO BE LOCATED PRIOR TO CONSTRUCTION. CALL DIGSAFE 1-888-DIG-SAFE OR 811 PRIOR TO CONSTRUCTION.
 - SEAL ALL SERVICE ENTRANCES INTO SHELTER FOLLOWING INSTALLATION.
 - COORDINATE WITH LOCAL TELEPHONE COMPANY FOR ALL ROUTING & DESIGN.
 - CONTRACTOR TO VERIFY CONTROL WIRING SIZE WITH GENERATOR MANUFACTURER PRIOR TO CONSTRUCTION.

ELECTRICAL & TELEPHONE CONTACTS	
POWER COMPANY:	EVERSOURCE
PHONE NUMBER:	(800) 783-6617
TELEPHONE COMPANY:	PENDING AT&T ASSIGNMENT
PHONE NUMBER:	TBD

NOTE:
ALL EQUIPMENTS' SHORT-CIRCUIT CURRENT RATING SHALL EXCEED AVAILABLE FAULT CURRENT PER UTILITY



Dewberry
Dewberry Engineers Inc.
99 SUMMER STREET
SUITE 700
BOSTON, MA 02110
PHONE: 617.531.0801
FAX: 617.695.3310

REV.	DESCRIPTION	BY	DATE
A	PRELIM	MR	05/03/21
B	PRELIM	JL	06/16/21
0	FINAL	JL	07/02/21

ATC SITE NUMBER:
6310
ATC SITE NAME:
FRANKLIN CT
AT&T PACE NUMBER:
MRCTB050160
AT&T SITE NAME:
S1255
SITE ADDRESS:
89 DR. NOTT ROAD
FRANKLIN, CT 06254



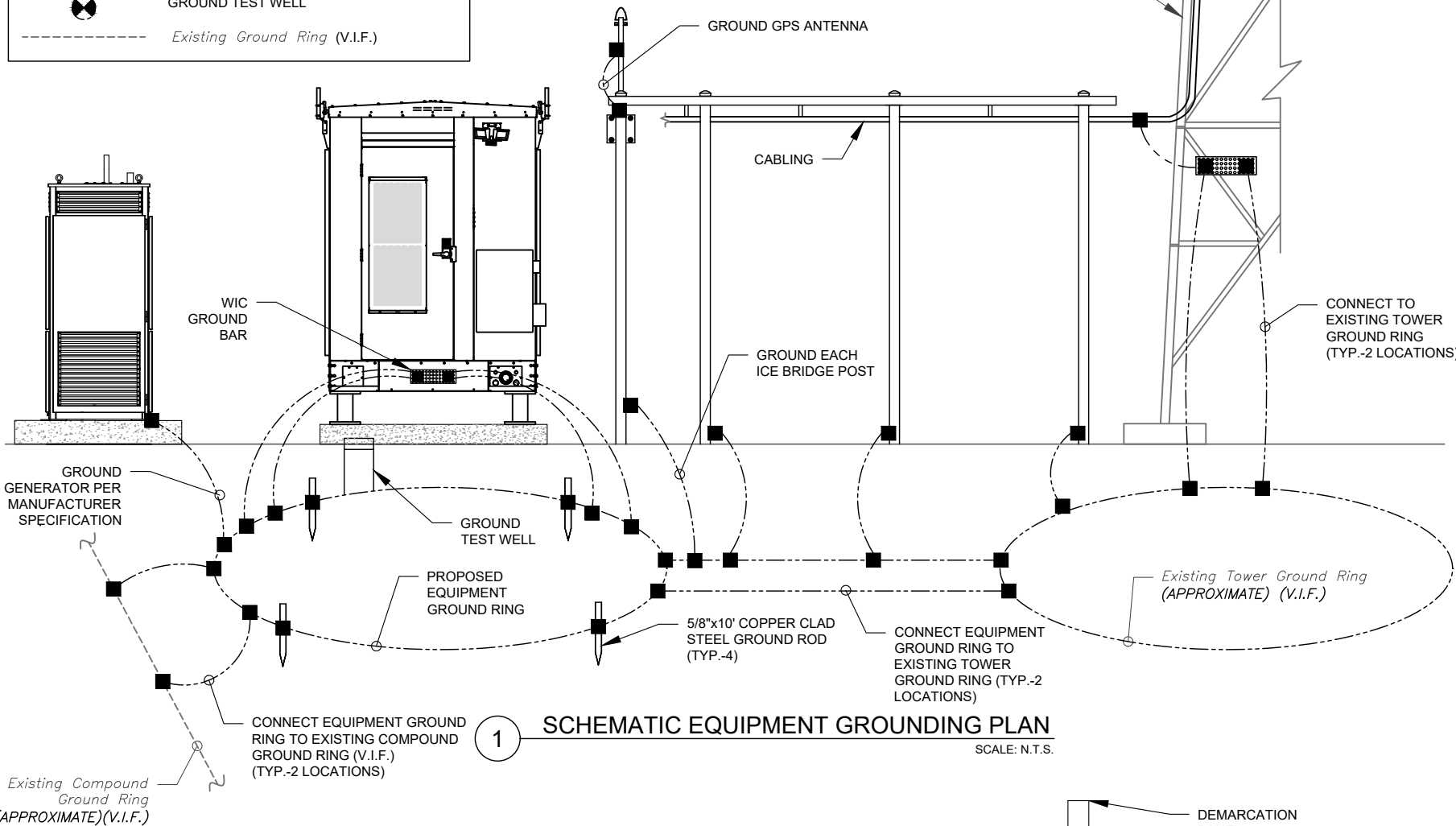
DATE DRAWN:	04/26/21
ATC JOB NO:	13626843
CUSTOMER ID:	MRCTB050160
CUSTOMER #:	S1255

GROUNDING DETAILS & ELECTRICAL SCHEMATIC

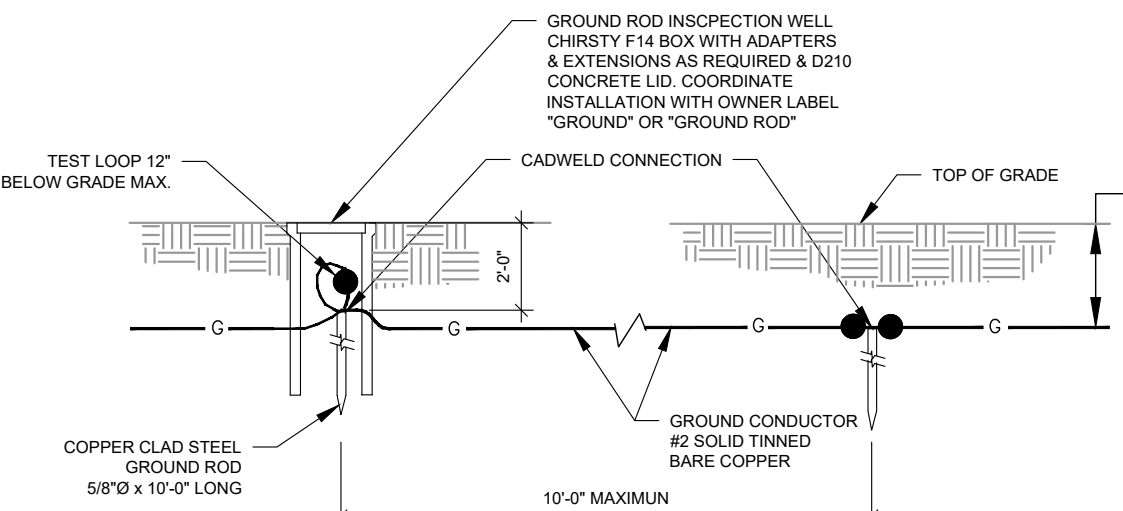
SHEET NUMBER:	REVISION:
E-101	0

Copyright © 2021 ATC IP, LLC. All Rights Reserved.

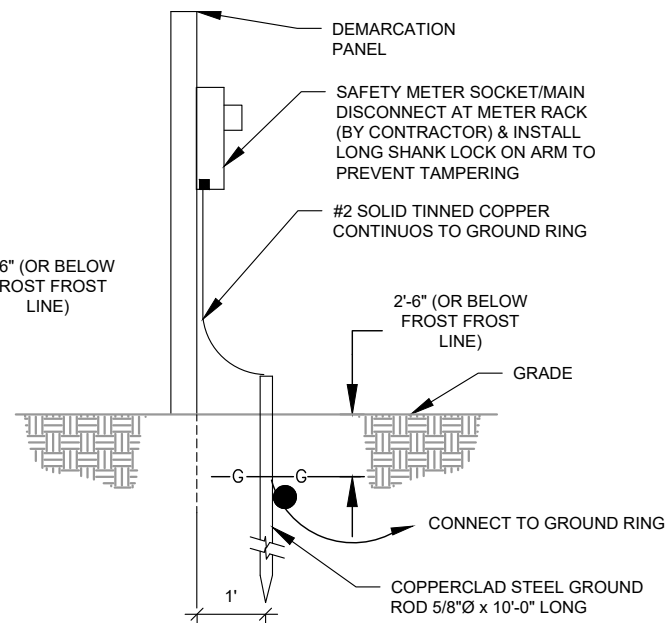
GROUNDING LEGEND	
	GROUND BAR
	GROUND COPPER WIRE, SIZE AS NOTED
	MECHANICAL GROUND CONNECTION
	5/8"x10' COPPER CLAD STEEL GROUND ROD
	EXOTHERMIC (CADWELD) CONNECTION
	GROUND TEST WELL
	Existing Ground Ring (V.I.F.)



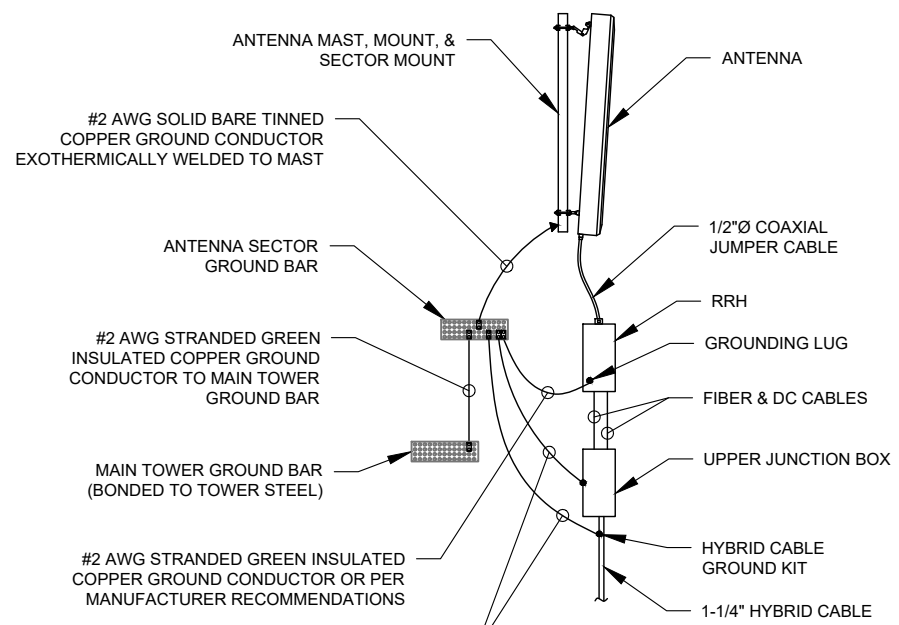
1 SCHEMATIC EQUIPMENT GROUNDING PLAN
SCALE: N.T.S.



3 GROUND TEST WELL
SCALE: N.T.S.



4 METER SOCKET GROUNDING
SCALE: N.T.S.



2 TYPICAL ANTENNA & RRH GROUNDING DETAIL
SCALE: N.T.S.

GROUNDING GENERAL NOTES

- ALL DOWN CONDUCTORS & THE GROUNDING RING CONDUCTOR SHALL BE #2 AWG, SOLID, BARE, TINNED COPPER, UNLESS OTHERWISE NOTED. ALL CONNECTIONS TO GROUNDING RING SHALL BE EXOTHERMICALLY WELDED. CONDUCTOR SHALL BE AT A MINIMUM DEPTH BELOW GRADE OF 30" OR TO LEDGE. MINIMUM BEND RADIUS SHALL BE 8 INCHES. CONDUCTOR SHALL BE AT LEAST 24 INCHES FROM ANY FOUNDATION, UNLESS OTHERWISE NOTED.
- GROUND RODS SHALL BE 5/8" DIAMETER COPPER CLAD, HARGER, T&B, ERICO, OR EQUIVALENT. TOP OF ROD SHALL BE A MINIMUM OF 30" BELOW GRADE. IF LEDGE IS ENCOUNTERED, INSTALL GROUND ROD AT AN ANGLE. ELECTRICAL METER GROUND ROD EXCEPTED.
- WHERE MECHANICAL CONNECTIONS ARE SPECIFIED, BOLTED, COMPRESSION-TYPE, CLAMPS OR SPLIT-BOLT TYPE CONNECTORS SHALL BE USED.
- GRIND OFF GALVANIZING IN AFFECTED AREA. EXOTHERMICALLY WELD #2 CONDUCTOR AT 6" ABOVE GRADE OR FOUNDATION, WHICHEVER IS HIGHER. COLD-GALV AFTER. EXOTHERMICALLY WELD OTHER END TO GROUND RING.
- INSTALL GROUNDING KITS AT ANTENNA CENTER LINE, & TOWER EXIT POINTS. GROUND HYBRID/COAX LINES. EXOTHERMICALLY WELD #2 DOWN CONDUCTOR TO PLATES, RUN DOWN TOWER, & TIE INTO GROUNDING SYSTEM.
- ALL GROUNDING WORK SHALL COMPLY WITH U.S. CELLULAR STANDARDS. FOLLOWING COMPLETION OF WORK, GROUND SYSTEM MUST BE TESTED & SHALL HAVE A RESISTANCE OF 5 OHMS OR LESS SUBMIT AN INDEPENDENT "FALL POTENTIAL" TESTING REPORT.
- CONTRACTOR SHALL HAND-DIG IN AREAS AROUND EXISTING UTILITIES.
- NOTIFY CONSTRUCTION ENGINEER IF THERE ARE ANY DIFFICULTIES INSTALLING GROUNDING SYSTEM DUE TO SITE SOIL CONDITIONS.
- GROUNDING RING IS SHOWN AS SCHEMATIC ONLY. IT IS DESIGNED WITHOUT BENEFIT OF RESISTIVITY TESTING & DOES NOT NECESSARILY REPRESENT A GROUNDING SYSTEM TO MEET ANY SPECIFIC GROUND RESISTANCE.
- PRIOR TO POURING CONCRETE, ALL REBAR LOCATED NEAR THE BOTTOM OF THE FOUNDATION SHALL BE BONDED TOGETHER TO FORM A SINGLE GROUNDING ELECTRODE, BY STEEL TIES OF OTHER EFFECTIVE MEANS APPROVED BY N.E.C. & STRUCTURAL ENGINEER, & BONDED TO THE GROUND RING AS DETAILED IN THESE PLANS (INSPECTION MAY BE REQUIRED PRIOR TO POURING CONCRETE & MUST BE COORDINATED BY CONTRACTOR).
- IN ACCORDANCE WITH N.E.C. REQUIREMENTS, ALL GROUNDING ELECTRODES PRESENT ON SITE SHALL BE BONDED TOGETHER (REFERENCE N.E.C. ARTICLE 250.50).



Dewberry
Dewberry Engineers Inc.
99 SUMMER STREET
SUITE 700
BOSTON, MA 02110
PHONE: 617.531.0801
FAX: 617.695.3310

REV.	DESCRIPTION	BY	DATE
A	PRELIM	MR	05/03/21
B	PRELIM	JL	06/16/21
0	FINAL	JL	07/02/21

ATC SITE NUMBER:
6310
ATC SITE NAME:
FRANKLIN CT
AT&T PACE NUMBER:
MRCTB050160
AT&T SITE NAME:
S1255
SITE ADDRESS:
89 DR. NOTT ROAD
FRANKLIN, CT 06254

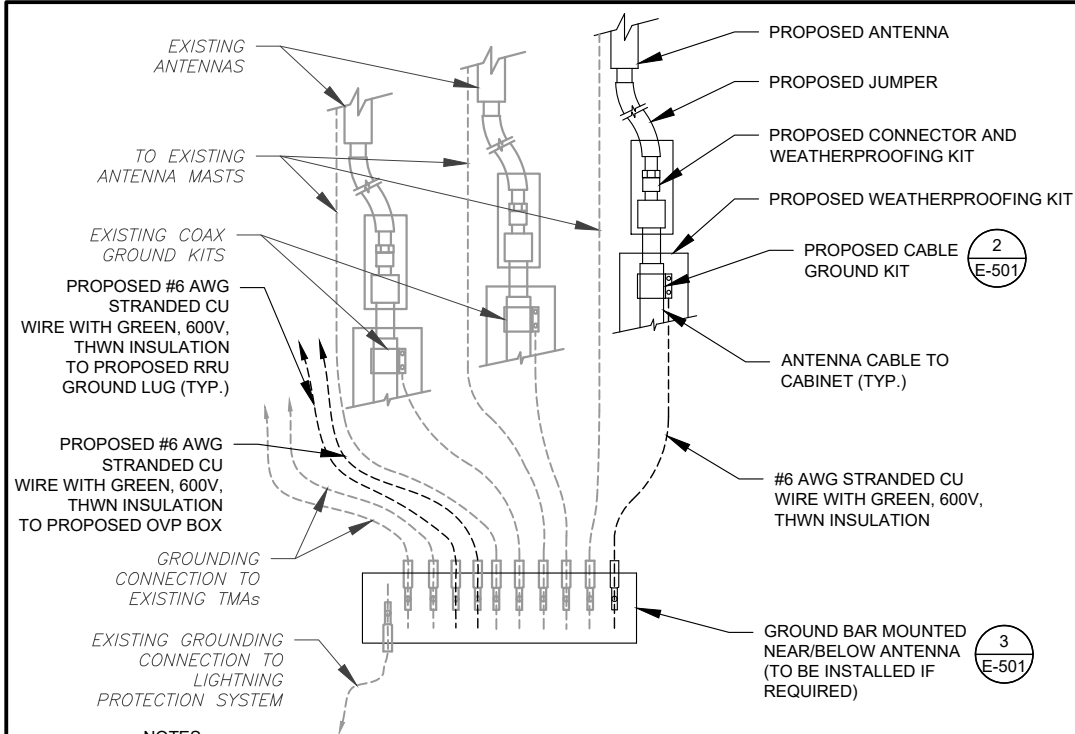


DATE DRAWN:	04/26/21
ATC JOB NO:	13626843
CUSTOMER ID:	MRCTB050160
CUSTOMER #:	S1255

GROUNDING DETAILS

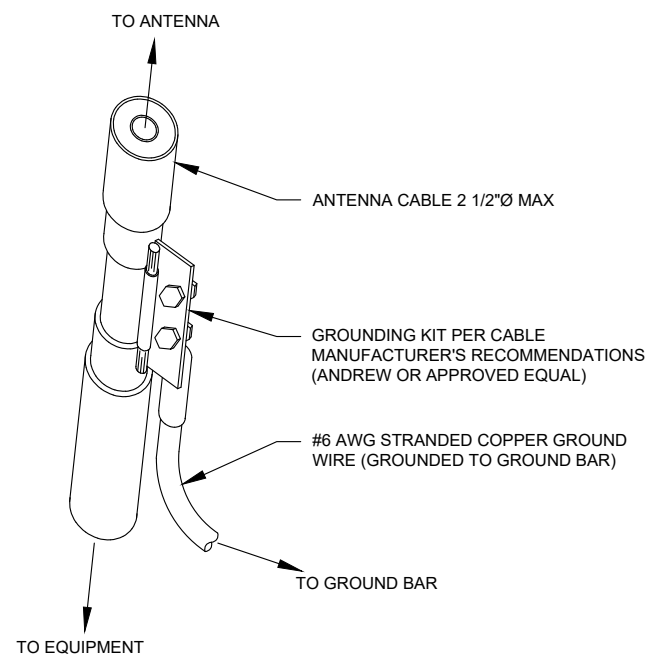
SHEET NUMBER:
E-501
REVISION:
0

Copyright © 2021 ATC IP, LLC. All Rights Reserved.



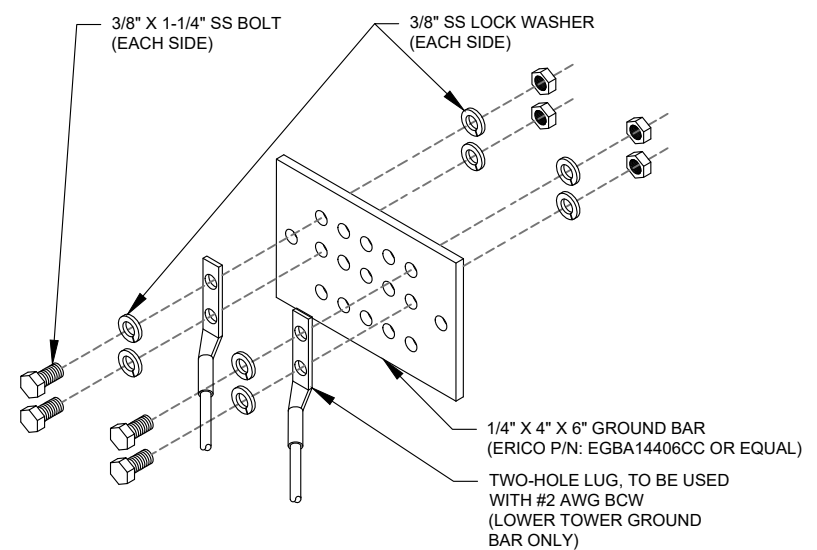
- NOTES:**
1. THIS DETAIL IS INTENDED TO SHOW THE GENERAL GROUNDING REQUIREMENTS. SLIGHT ADJUSTMENTS MAY BE REQUIRED BASED ON EXISTING SITE CONDITIONS. THE CONTRACTOR SHALL MAKE FIELD ADJUSTMENTS AS NEEDED AND INFORM THE CONSTRUCTION MANAGER OF ANY CONFLICTS.
 2. SITE GROUNDING SHALL COMPLY WITH AT&T MOBILITY GROUNDING STANDARDS, LATEST EDITION, AND COMPLY WITH AT&T MOBILITY GROUNDING CHECKLIST, LATEST VERSION. WHEN NATIONAL AND LOCAL GROUNDING CODES ARE MORE STRINGENT THEY SHALL GOVERN.

1 TYPICAL ANTENNA GROUNDING DIAGRAM
SCALE: N.T.S.



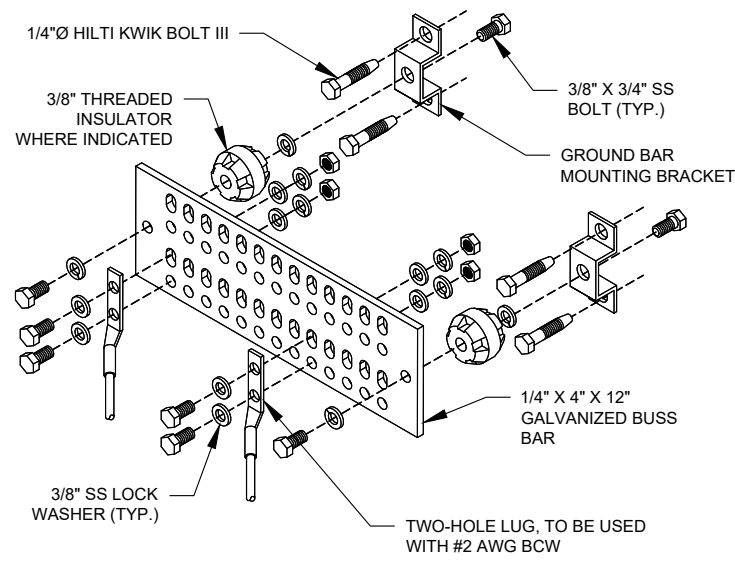
- GROUND KIT NOTES:**
1. DO NOT INSTALL CABLE GROUND KIT AT A BEND AND ALWAYS DIRECT GROUND WIRE DOWN TO GROUND BAR.
 2. CONTRACTOR SHALL PROVIDE WEATHERPROOFING KIT (ANDREW PART NUMBER 221213) AND INSTALL/TAPE PER MANUFACTURER'S SPECIFICATIONS.

2 CABLE GROUND KIT CONNECTION DETAIL
SCALE: N.T.S.



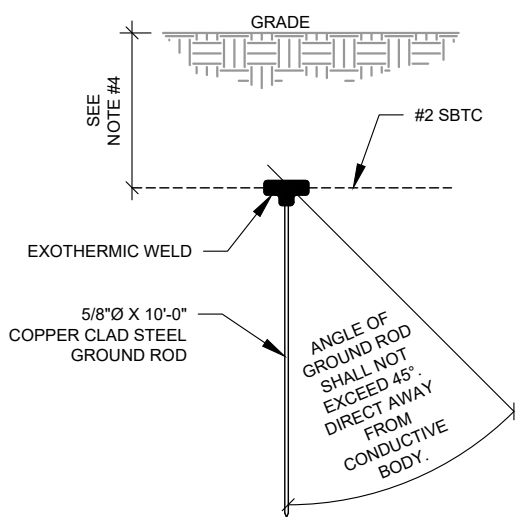
- GROUND BAR NOTES:**
1. GROUND BAR KITS COME WITH ALL HARDWARE, NUTS, BOLTS, WASHERS, ETC. EXCEPT THE STRUCTURAL MOUNTING MEMBER(S).
 2. GROUND BAR TO BE BONDED DIRECTLY TO TOWER.

3 TOWER GROUND BAR DETAIL
SCALE: N.T.S.



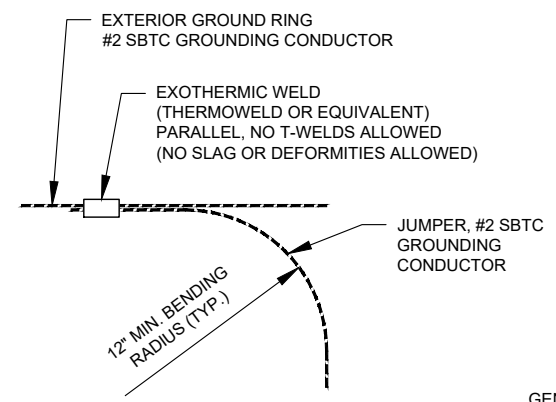
- GROUND BAR NOTES:**
1. GROUND KITS COME WITH ALL HARDWARE, NUTS, BOLTS, WASHERS, ETC. EXCEPT THE STRUCTURAL MOUNTING MEMBER(S).
 2. GROUND BAR SHALL BE BOLTED TO STRUCTURAL MEMBER OR ANCHORED TO CONCRETE SLAB W/ HILTI KWIK BOLT III.

4 MAIN GROUND BAR DETAIL
SCALE: N.T.S.

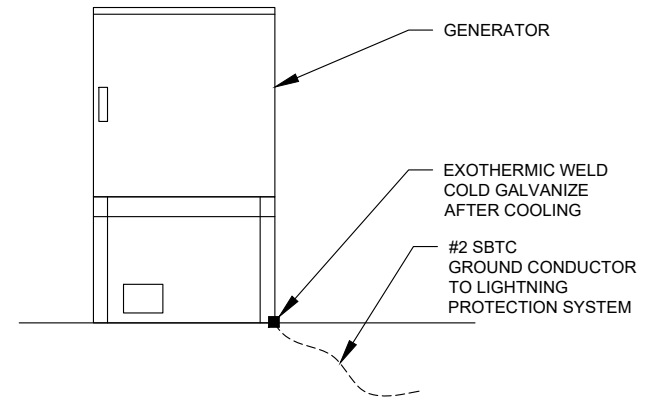


- NOTES:**
1. SEPARATION DIMENSION TO BE VERIFIED WITH LOCAL UTILITY COMPANY REQUIREMENTS.
 2. COORDINATE UTILITY, LOCATE BEFORE DIGGING.
 3. CONDUIT TRENCHING DEPTHS AT 36\"/>

5 GROUND ROD DETAIL
SCALE: N.T.S.



6 TIE CONNECTION DETAIL
SCALE: N.T.S.



- GENERATOR INSTALLATION NOTE:**
- INSTALL GENERATOR AND TRANSFER SWITCH WITH ALL SUPPLIED ACCESSORIES PER MANUFACTURER'S INSTALLATION INSTRUCTIONS AND SPECIFICATIONS. THIS INCLUDES, BUT IS NOT LIMITED TO, ACCESSORIES FOR THE EXHAUST SYSTEM, FUEL SYSTEM, ENCLOSURE INTEGRITY (CAPS, PLUGS, COVERS, ETC.), ELECTRICAL CONNECTIONS, AND GROUNDING CONNECTIONS.

7 GENERATOR GROUNDING
SCALE: N.T.S.



Dewberry
Dewberry Engineers Inc.
99 SUMMER STREET
SUITE 700
BOSTON, MA 02110
PHONE: 617.531.0801
FAX: 617.695.3310

REV.	DESCRIPTION	BY	DATE
A	PRELIM	MR	05/03/21
B	PRELIM	JL	06/16/21
0	FINAL	JL	07/02/21

ATC SITE NUMBER:
6310
ATC SITE NAME:
FRANKLIN CT
AT&T PACE NUMBER:
MRCTB050160
AT&T SITE NAME:
S1255
SITE ADDRESS:
89 DR. NOTT ROAD
FRANKLIN, CT 06254



DATE DRAWN:	04/26/21
ATC JOB NO:	13626843
CUSTOMER ID:	MRCTB050160
CUSTOMER #:	S1255

GROUNDING DETAILS

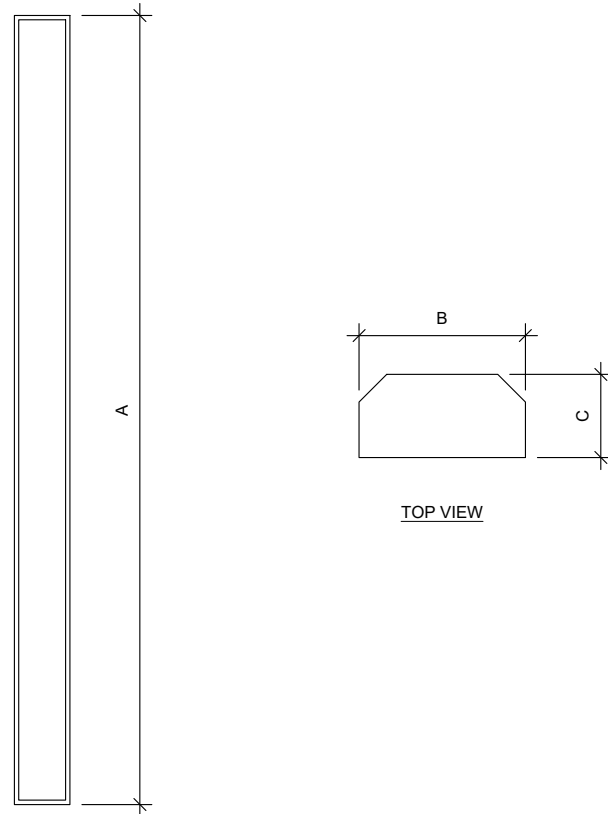
SHEET NUMBER:	REVISION:
E-502	0

Copyright © 2021 ATC IP, LLC. All Rights Reserved.



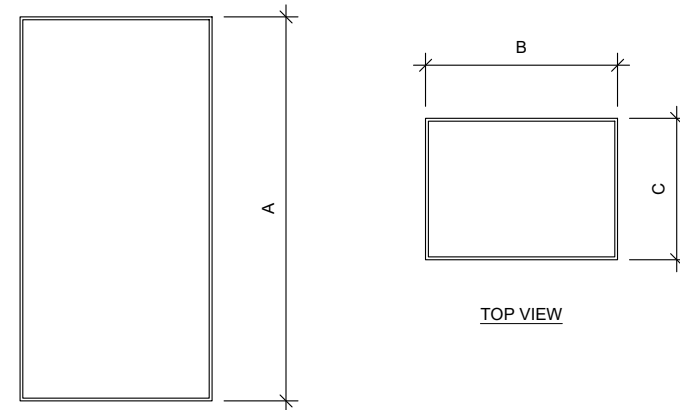
Dewberry Engineers Inc.
 99 SUMMER STREET
 SUITE 700
 BOSTON, MA 02110
 PHONE: 617.531.0801
 FAX: 617.695.3310

Copyright © 2021 ATC IP, LLC. All Rights Reserved.



FRONT VIEW

TOP VIEW



FRONT VIEW

TOP VIEW

1 ANTENNA SPECIFICATIONS
 FOR ILLUSTRATIVE PURPOSES ONLY - NOT TO SCALE

ANTENNA SPECIFICATIONS				
ANTENNA MODEL	A	B	C	WEIGHT (LBS)
AIR 6449 B77D	30.4"	15.9"	10.6"	81.6
TPA65R-BU8D	96.0"	21.0"	7.8"	82.5
DMP65R-BU8D	96.0"	20.7"	7.7"	95.7

2 RRU SPECIFICATIONS
 FOR ILLUSTRATIVE PURPOSES ONLY - NOT TO SCALE

RRU SPECIFICATIONS				
RRU MODEL	A	B	C	WEIGHT (LBS)
RRUS 4449 B5/B12	17.9"	19.2"	9.4"	71
RRUS8843 B2/B66A	14.9"	13.2"	10.9"	72
RRUS 4478 B14	16.5"	13.4"	7.7"	59.9

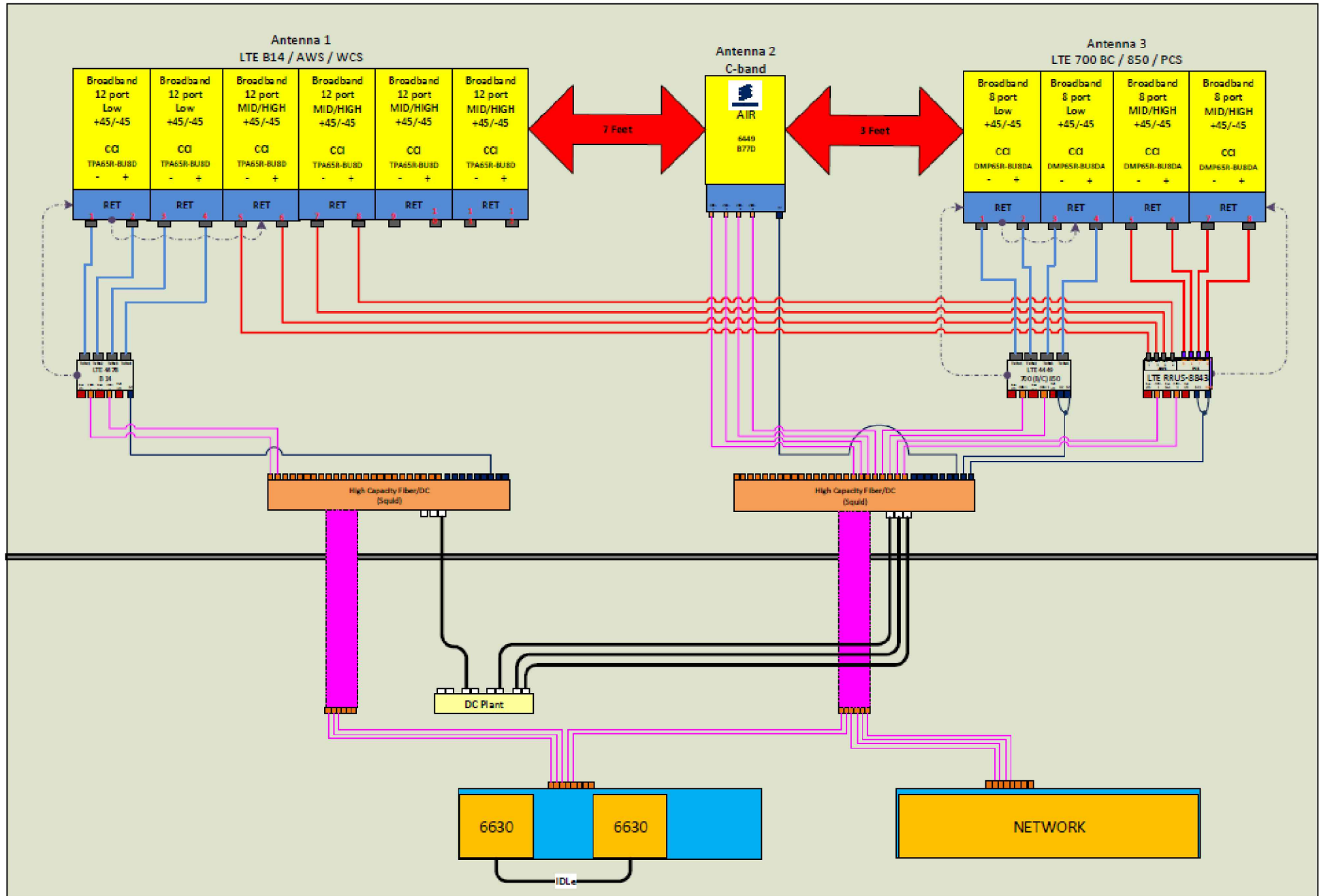
NOTE: THIS SHEET CREATED BY OTHERS AND PROVIDED BY REQUEST OF CUSTOMER WITHOUT EDIT.



DATE DRAWN:	04/26/21
ATC JOB NO:	13626843
CUSTOMER ID:	MRCTB050160
CUSTOMER #:	S1255

SUPPLEMENTAL

SHEET NUMBER:
R-601



1 PLUMBING DIAGRAM



Dewberry
 Dewberry Engineers Inc.
 99 SUMMER STREET
 SUITE 700
 BOSTON, MA 02110
 PHONE: 617.531.0801
 FAX: 617.695.3310

ATC SITE NUMBER:
 6310
 ATC SITE NAME:
 FRANKLIN CT
 AT&T PACE NUMBER:
 MRCTB050160
 AT&T SITE NAME:
 S1255
 SITE ADDRESS:
 89 DR. NOTT ROAD
 FRANKLIN, CT 06254



DATE DRAWN:	04/26/21
ATC JOB NO:	13626843
CUSTOMER ID:	MRCTB050160
CUSTOMER #:	S1255

SUPPLEMENTAL

SHEET NUMBER:
R-602

NOTE: THIS SHEET CREATED BY OTHERS AND PROVIDED BY REQUEST OF CUSTOMER WITHOUT EDIT.

8220-603 series

Reliability through Simplicity



1 of 6 8220-603 series

Founded in 1979 Polar Power specialized in solar photovoltaic systems, solar air conditioning and refrigeration. We developed and provided photovoltaic charging controls for telecommunications in the 1980s along with DC generators for the military. In 1994 we were first to provide DC generators with remote control and monitoring to the telecommunications industry.

Polar's success is based on engineering generators to meet the very specific needs of each application. Telecom site optimization is best met with the DC generator technology as the loads and batteries are DC. It makes no sense to install an AC generator and convert the output to DC. The AC generators are designed for a wide range of applications and they are not specifically produced for telecom applications so there are issues with reliability, space, and fuel efficiency.

Polar can save you considerable time and cost in permitting, installing, purchasing, and maintaining a backup generator. We reduce CAPEX and OPEX costs while improving backup reliability.

Intertek 4003706
 Conforms to UL STD 2200
 Certified to CSA STD C22.2 No. 100
 Fuel tank is UL 142 Listed

Meets EPA Emission Regulations
 CA/MA Emissions Compliant

2 year standard warranty, extended 5-10 year warranty available

8220-603-D-15-03 Diesel 15 kW -48 VDC



THE CONCEPTS AND FEATURES BEHIND POLAR'S BACKUP GENERATOR FOR TELECOMMUNICATIONS INCLUDE:

SMALL FOOTPRINT. Polar's DC generator is considerably smaller in size than an AC generator. You can now backup sites that could not accommodate an AC generator. Smaller also means less cost for space leasing.

LONG RESERVE. 48 to 72 hour reserve. Polar's DC generator can provide long reserve times because of very low fuel consumption. This generator should be the first choice for sites exposed to natural disasters requiring backup for weeks or months at a time (fuel consumption 1.02 gallon per hour).

LOW ACOUSTIC NOISE. <66 dBA@ 7 meters, and low vibration so as not to disturb the local residents or building landlords. Quieter than other generators with lower noise ratings.

LIGHTWEIGHT. Up to 1/3 the weight of a comparable AC generator. Facilitates roof top installations.

CORROSION RESISTANT. All-aluminum enclosure with stainless hardware for low maintenance, and long service life.

RODENT RESISTANT. Small animals can quickly destroy a generator set by gnawing on wires, fuel lines, radiator hoses, etc. Cooling air inlets and outlets have perforated aluminum screens to keep small rodents and large insects out. Stainless steel wire braid is placed over fuel and radiator lines for increased reliability and safety.

SUPERCAPACITOR STARTER. Failure to start is the number one problem plaguing generator reliability. Polar's unique design has replaced the starting battery with a Super Capacitor. Capacitors are more reliable and last longer than batteries (10-15 year life).

LONG LIFE. Controls and wire harnesses are designed to exceed a 20 year life. Higher grade, longer life electrical wire (UL 3173), weather tight connectors, gold plated connector pins on signal circuits. Controls and wire harness are easily replaceable.

ADVANCED MONITORING. Remote diagnostics, control, and monitoring. Ethernet and RS232 standard, with optional SNMP.

SIMPLICITY. Transfer switch, rectifier, and starting battery are not required.

249 E. Gardena Blvd, Gardena CA, 90248 | 310.830.9153 | www.polarpower.com | info@polarpowerinc.com

Copyright 2017 Polar Power Inc., All Rights Reserved.



Dewberry
 Dewberry Engineers Inc.
 99 SUMMER STREET
 SUITE 700
 BOSTON, MA 02110
 PHONE: 617.531.0801
 FAX: 617.695.3310

ATC SITE NUMBER:
 6310
 ATC SITE NAME:
 FRANKLIN CT
 AT&T PACE NUMBER:
 MRCTB050160
 AT&T SITE NAME:
 S1255
 SITE ADDRESS:
 89 DR. NOTT ROAD
 FRANKLIN, CT 06254



DATE DRAWN:	04/26/21
ATC JOB NO:	13626843
CUSTOMER ID:	MRCTB050160
CUSTOMER #:	S1255

SUPPLEMENTAL

SHEET NUMBER:
R-603

NOTE: THIS SHEET CREATED BY OTHERS AND PROVIDED BY REQUEST OF CUSTOMER WITHOUT EDIT.

Copyright © 2021 ATC IP, LLC, All Rights Reserved.

Exhibit 4

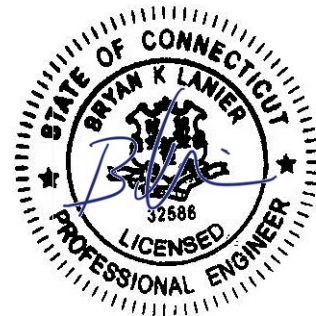
Structural Analysis Report



AMERICAN TOWER®
CORPORATION

Structural Analysis Report

Structure : 300 ft Guyed Tower
ATC Site Name : FRANKLIN CT, CT
ATC Asset Number : 6310
Engineering Number : 13626843_C3_03
Proposed Carrier : AT&T MOBILITY
Carrier Site Name : MRCTB050160
Carrier Site Number : S1255
Site Location : 89 Dr. Nott Road
North Franklin, CT 06254-1316
41.597700,-72.145000
County : New London
Date : March 24, 2021
Max Usage : 77%
Result : Pass



Prepared By:
Temitope Olaniyan
Structural Engineer

Reviewed By:

COA: PEC.0001553



Table of Contents

Introduction	1
Supporting Documents	1
Analysis	1
Conclusion.....	1
Existing and Reserved Equipment.....	2
Equipment to be Removed.....	2
Proposed Equipment	3
Structure Usages	3
Foundations	3
Deflection, Twist, and Sway.....	4
Standard Conditions	5
Calculations	Attached



Introduction

The purpose of this report is to summarize results of a structural analysis performed on the 300 ft guyed tower to reflect the change in loading by AT&T MOBILITY.

Supporting Documents

Tower Drawings	FWT Job #18504, dated January, 20, 1999
Foundation Drawing	FWT Job #18504, dated January, 20, 1999
Geotechnical Report	Tectonic Engineering Consultants P.C. dated October 26, 1998
Modifications	ATC Project #430070H1, dated March 5, 1999

Analysis

The tower was analyzed using American Tower Corporation's tower analysis software. This program considers an elastic three-dimensional model and second-order effects per ANSI/TIA-222.

Basic Wind Speed:	123 mph (3-Second Gust)
Basic Wind Speed w/ Ice:	50 mph (3-Second Gust) w/ 1" radial ice concurrent
Code:	ANSI/TIA-222-H / 2015 IBC / 2018 Connecticut State Building Code
Exposure Category:	B
Risk Category:	II
Topographic Factor Procedure:	Method 2
Feature:	Hill
Crest Height (H):	344 ft
Crest Length (L):	1850 ft
Spectral Response:	$S_s = 0.19, S_1 = 0.05$
Site Class:	D - Stiff Soil

Conclusion

Based on the analysis results, the structure meets the requirements per the applicable codes listed above. The tower and foundation can support the equipment as described in this report.

If you have any questions or require additional information, please contact American Tower via email at Engineering@americantower.com. Please include the American Tower site name, site number, and engineering number in the subject line for any questions.



Existing and Reserved Equipment

Elev. ¹ (ft)	Qty	Antenna	Mount Type	Lines	Carrier
307.0	1	Generic 10' Omni	Side Arm	(3) 7/8" Coax (2) 1 1/4" Coax	OTHER
306.0	1	Generic 20' Dipole			
303.0	1	Generic 13' Omni			
302.0	1	Generic 6' Yagi			
288.0	1	Generic 18' Dipole			
277.0	1	Generic 10' Dipole	Side Arm	(2) 7/8" Coax	
276.0	1	Generic 8' Omni			
	1	Generic 24" x 24" Junction Box			
274.0	1	Generic 6' Omni	Side Arm	-	
241.0	1	Generic 13' Omni			
230.0	1	Generic 11' Omni			
228.0	1	Generic 14' Omni			
215.0	1	Decibel DB224			Leg
213.0	1	Generic 22' Dipole			
	213.0	1	Andrew DB224	Side Arm	(1) 1/2" Coax
180.0		3	Alcatel-Lucent 1900 MHz 4X45 RRH	Sector Frame	(4) 1 1/4" Hybriflex Cable (9) 1 5/8" Coax
	3	Commscope NNVV-65B-R4			
	3	RFS APXVTM14-ALU-I20			
	3	Alcatel-Lucent TD-RRH8x20-25 w/ Solar Shield			
	3	Decibel DB844H90E-XY			
	6	Alcatel-Lucent RRH2x50-08			
169.0	6	Commscope JAHH-65B-R3B	Sector Frame	(1) 1 1/4" (1.25"- 31.8mm) Fiber (6) 1 5/8" Coax (1) 1 5/8" Hybriflex	VERIZON WIRELESS
	3	Commscope LNX-8513DS-A1M			
	1	RFS DB-T1-6Z-8AB-OZ			
	3	Samsung B2/B66A RRH-BR049			
	3	Samsung B5/B13 RRH-BR04C			
	3	Commscope CBC78T-DS-43-2X			
160.0	1	Generic Low Noise Amplifier	Side Arm	(1) 1/2" Coax	SIGFOX S.A.
	1	Procom CXL 900-3LW			
	1	Generic 5" x 3" x 2" Cavity Filter			
130.0	2	Scala AP7-850/065	Side Arm	(4) 0.41" (10.3mm) LMR-400 (2) 1 5/8" Coax	AT&T MOBILITY
	1	Generic 24" x 24" Junction Box			
115.0	1	Generic 20' Dipole	Side Arm	(1) 1/2" Coax	NEW ENGLAND CENTRAL RAILROAD
105.0	1	Generic 2' x 4' Rectangular Grid Dish	Side Arm	-	OTHER
	1	Generic 5' Yagi			
82.0	1	Generic 6' Ice Shield	Leg	(1) EW52	AT&T MOBILITY
80.0	1	RFS PA6-65AC w/ Radome			

Equipment to be Removed

Elev. ¹ (ft)	Qty	Antenna	Mount Type	Lines	Carrier
No loading was considered as removed as part of this analysis.					



Proposed Equipment

Elev. ¹ (ft)	Qty	Antenna	Mount Type	Lines	Carrier
196.0	3	Ericsson RRUS 8843 B2, B66A	Sabre C10857001 Sector Frame	(2) 0.39" (10mm) Fiber Trunk (4) 0.92" (23.4mm) Cable	AT&T MOBILITY
	3	Ericsson RRUS 4478 B14			
	3	Ericsson RRUS 4449 B5, B12			
	3	Ericsson AIR 6449 B77D			
	2	Raycap DC9-48-60-24-8C-EV			
	3	CCI DMP65R-BU8D			
	3	CCI TPA65R-BU8D			

¹ Contracted elevations are shown for appurtenances within contracted installation tolerances. Appurtenances outside of contract limits are shown at installed elevations.

Install proposed lines on the tower face with the least amount of existing lines.

Structure Usages

Structural Component	Controlling Usage	Pass/Fail
Legs	65%	Pass
Diagonals	61%	Pass
Horizontals	43%	Pass
Guys	77%	Pass

Foundations

Reaction Component	Original Design Reactions	Factored Design Reactions*	Analysis Reactions	% of Design
Base Axial (kips)	208.2	281.1	194.9	69%
A1 Uplift (kips)	73.5	99.2	64.0	65%
A1 Shear (kips)	85.9	116.0	79.7	69%

* The design reactions are factored by 1.35 per ANSI/TIA-222-H, Sec. 15.6.2

The structure base reactions resulting from this analysis are acceptable when compared to those shown on the original structure drawings, therefore no modification or reinforcement of the foundation will be required.



Deflection, Twist and Sway*

Antenna Elevation (ft)	Antenna	Carrier	Deflection (ft)	Twist (°)	Sway (Rotation) (°)
196.0	Ericsson RRUS 8843 B2, B66A	AT&T MOBILITY	0.177	0.055	0.025
	Ericsson RRUS 4478 B14				
	Ericsson RRUS 4449 B5, B12				
	Ericsson AIR 6449 B77D				
	Raycap DC9-48-60-24-8C-EV				
	CCI DMP65R-BU8D				
	CCI TPA65R-BU8D				
105.0	Generic 2' x 4' Rectangular Grid Dish	Other	0.128	0.050	0.048
80.0	RFS PA6-65AC w/ Radome	AT&T MOBILITY	0.103	0.049	0.091

*Deflection, Twist and Sway was evaluated considering a design wind speed of 60 mph (3-Second Gust) per ANSI/TIA-222-H



Standard Conditions

All engineering services performed by A.T. Engineering Service, PLLC are prepared on the basis that the information used is current and correct. This information may consist of, but is not limited to the following:

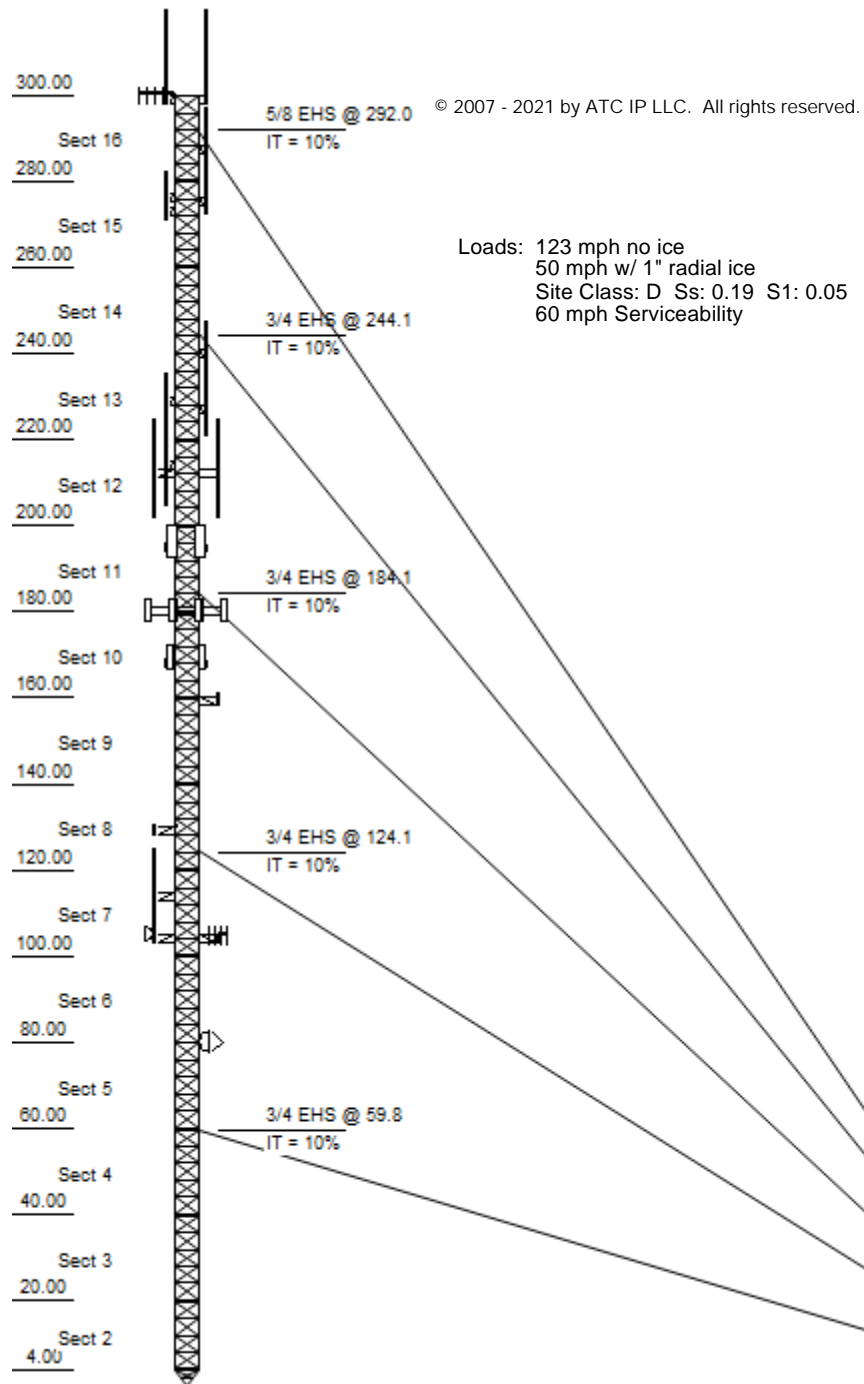
- Information supplied by the client regarding antenna, mounts and feed line loading
- Information from drawings, design and analysis documents, and field notes in the possession of A.T. Engineering Service, PLLC

It is the responsibility of the client to ensure that the information provided to A.T. Engineering Service, PLLC and used in the performance of our engineering services is correct and complete.

All assets of American Tower Corporation, its affiliates and subsidiaries (collectively "American Tower") are inspected at regular intervals. Based upon these inspections and in the absence of information to the contrary, American Tower assumes that all structures were constructed in accordance with the drawings and specifications.

Unless explicitly agreed by both the client and A.T. Engineering Service, PLLC, all services will be performed in accordance with the current revision of ANSI/TIA-222.

All services are performed, results obtained, and recommendations made in accordance with generally accepted engineering principles and practices. A.T. Engineering Service, PLLC is not responsible for the conclusions, opinions and recommendations made by others based on the information supplied herein.



© 2007 - 2021 by ATC IP LLC. All rights reserved.

Loads: 123 mph no ice
 50 mph w/ 1" radial ice
 Site Class: D Ss: 0.19 S1: 0.05
 60 mph Serviceability

Job Information			
Client : AT&T MOBILITY			
Tower : 6310	Location : FRANKLIN CT, CT		Base Width : 4.00 ft
Code : ANSI/TIA-222-H	Topo Method: Method 2		
Risk Cat : II	Topo Feature: Hill	Tower Ht : 300.00 ft	
	Exposure : B	Shape : Triangle	

Sections Properties				
Section	Leg Members		Diagonal Members	Horizontal Members
1	SOL 50 ksi	2 1/4" SOLID	PL 36 ksi PL 2 x 0.5"	SAE 36 ksi 3X3X0.3125
2 - 10	SOL 50 ksi	2 1/4" SOLID	SOL 50 ksi 5/8" SOLID	SAE 36 ksi 2X2X0.1875
11 - 16	SOL 50 ksi	2" SOLID	SOL 50 ksi 5/8" SOLID	SAE 36 ksi 2X2X0.1875

Discrete Appurtenance			
Elev (ft)	Type	Qty	Description
300.00	Yagi	1	Generic 6' Yagi
300.00	Whip	1	Generic 13' Omni
300.00	Whip	1	Generic 20' Dipole
300.00	Whip	1	Generic 10' Omni
294.00	Straight Arm	3	Round Side Arm
288.00	Whip	1	Generic 18' Dipole
277.00	Whip	1	Generic 10' Dipole
276.00	Generic 24" x 24" Junction Box	1	Generic 24" x 24" Junction Box
276.00	Whip	1	Generic 8' Omni
274.00	Whip	1	Generic 6' Omni
268.00	Straight Arm	3	Round Side Arm
241.00	Whip	1	Generic 13' Omni
233.00	Straight Arm	3	Round Side Arm
230.00	Whip	1	Generic 11' Omni
228.00	Whip	1	Generic 14' Omni
215.00	Whip	1	Decibel DB224
213.00	Whip	1	Andrew DB224
213.00	Whip	1	Generic 22' Dipole
213.00	Straight Arm	2	Side Arm
196.00	Panel	3	CCI TPA65R-BU8D
196.00	Panel	3	CCI DMP65R-BU8D
196.00	Panel	2	Raycap DC9-48-60-24-8C-EV
196.00	Panel	3	Ericsson AIR 6449 B77D
196.00	Panel	3	Ericsson RRUS 4449 B5, B12
196.00	Panel	3	Ericsson RRUS 4478 B14
196.00	Panel	3	Ericsson RRUS 8843 B2, B66A
196.00	Other	3	Sabre C10857001
180.00	Panel	3	Commscope NNVV-65B-R4
180.00	Panel	3	RFS APXVTM14-ALU-I20
180.00	Panel	3	Alcatel-Lucent TD-RRH8x20-25 w
180.00	Panel	3	Decibel DB844H90E-XY
180.00	Panel	3	Alcatel-Lucent 1900 MHz 4X45 R
180.00	Panel	6	Alcatel-Lucent RRH2x50-08
180.00	Mounting Frame	3	Round Sector Frame
170.00	Mounting Frame	3	Flat Light Sector Frame
169.00	Panel	3	Samsung B2/B66A RRH-BR049
169.00	Panel	3	Samsung B5/B13 RRH-BR04C
169.00	Panel	3	Commscope CBC78T-DS-43-2X
169.00	Panel	6	Commscope JAHH-65B-R3B
169.00	Panel	3	Commscope LNX-8513DS-A1M
169.00	Panel	1	RFS DB-T1-6Z-8AB-OZ
160.00	Straight Arm	1	Flat Side Arm
160.00	Panel	1	Generic Low Noise Amplifier
160.00	Panel	1	Generic 5" x 3" x 2" Cavity Fi
160.00	Whip	1	Procom CXL 900-3LW
130.00	Straight Arm	1	Round Side Arm
130.00	Panel	1	Generic 24" x 24" Junction Box
125.00	Straight Arm	2	Scala AP7-850/065
115.00	Straight Arm	3	Flat Side Arm
115.00	Straight Arm	1	Round Side Arm

© 2007 - 2021 by ATC IP LLC. All rights reserved.

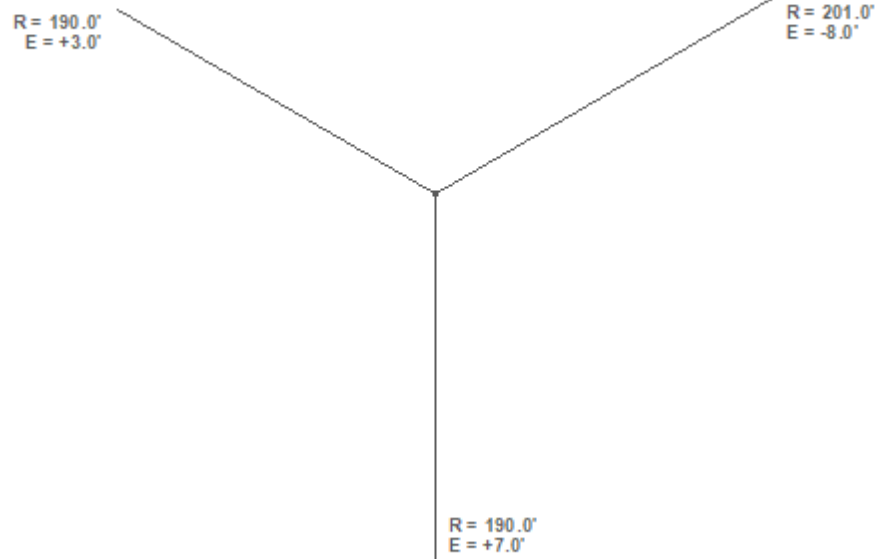
Job Information		
Client : AT&T MOBILITY		
Tower : 6310	Location : FRANKLIN CT, CT	Base Width : 4.00 ft
Code : ANSI/TIA-222-H	Topo Method: Method 2	
Risk Cat : II	Topo Feature: Hill	Tower Ht : 300.00 ft
	Exposure : B	Shape : Triangle

115.00 Whip	1	Generic 20' Dipole
105.00 Straight Arm	1	Round Side Arm
105.00 Dish	1	Generic 2' x 4' Rectangular Gr
105.00 Yagi	1	Generic 5' Yagi
82.00 Other	1	Generic 6' Ice Shield
80.00 Dish	1	RFS PA6-65AC w/ Radome

Linear Appurtenance			
Elev (ft)			
From	To	Qty	Description
5.00	307.00	1	7/8" Coax
5.00	306.00	1	7/8" Coax
5.00	303.00	1	7/8" Coax
5.00	288.00	2	1 1/4" Coax
0.00	276.00	1	7/8" Coax
0.00	274.00	1	7/8" Coax
0.00	215.00	1	7/8" Coax
5.00	213.00	1	1/2" Coax
0.00	196.00	4	0.92" (23.4mm) Cable
0.00	196.00	2	0.39" (10mm) Fiber T
5.00	180.00	9	1 5/8" Coax
5.00	180.00	4	1 1/4" Hybriflex Cab
0.00	170.00	1	1 1/4" (1.25"- 31.8m
0.00	169.00	1	1 5/8" Hybriflex
0.00	169.00	6	1 5/8" Coax
0.00	160.00	1	1/2" Coax
5.00	130.00	4	0.41" (10.3mm) LMR-4
0.00	130.00	2	1 5/8" Coax
5.00	115.00	1	1/2" Coax
0.00	80.00	1	FW52

© 2007 - 2021 by ATC IP LLC. All rights reserved.

Job Information		
Client : AT&T MOBILITY		
Tower : 6310	Location : FRANKLIN CT, CT	Base Width : 4.00 ft
Code : ANSI/TIA-222-H	Topo Method: Method 2	
Risk Cat : II	Topo Feature: Hill	Tower Ht : 300.00 ft
	Exposure : B	Shape : Triangle



Guy Anchor Design Loads				
Radius (ft)	Drop (ft)	Azimuth (°)	Uplift (kip)	Shear (kip)
190.00	7.00	0	61.93	79.42
190.00	3.00	240	63.73	79.70
201.00	-8.00	120	64.02	79.27

Global Base Foundation Design Loads	
Vertical (kip)	Horizontal (kip)
194.93	2.72

Site Number: 6310
Site Name: FRANKLIN CT, CT
Customer: AT&T MOBILITY

Code: ANSI/TIA-222-H
Engineering Number: 13626843_C3_03

© 2007 - 2021 by ATC IP LLC. All rights reserved.

3/24/2021 5:18:09 PM

Analysis Parameters

Location:	New London County, CT	Height (ft):	300
Code:	ANSI/TIA-222-H	Base Elevation (ft):	0.00
Shape:	Triangle	Bottom Face Width (ft):	4.00
Tower Manufacturer:	FWT Inc	Top Face Width (ft):	4.00
Tower Type:	Guyed		
Kd:	0.85		
Ke:	0.98		

Ice & Wind Parameters

Exposure Category:	B	Design Windspeed Without Ice:	123 mph
Risk Category:	II	Design Windspeed With Ice:	50 mph
Topographic Factor Procedure:	Method 2	Operational Windspeed:	60 mph
Feature:	Hill	Design Ice Thickness:	1.00 in
Crest Height (H):	344 ft	HMSL:	505.00 ft
Crest Length (L):	1850 ft		
Distance from Apex (x):	0 ft		
Upwind / Downwind	Upwind		

Seismic Parameters

Analysis Method:	Equivalent Lateral Force Method				
Site Class:	D - Stiff Soil				
Period Based on Rayleigh Method (sec):	0.83				
T_L (sec):	6	p:	1.3	C_S :	0.035
S_S :	0.195	S_1 :	0.054	C_S , Max:	0.035
F_a :	1.600	F_V :	2.400	C_S , Min:	0.030
S_{ds} :	0.208	S_{d1} :	0.086		

Load Cases

1.2D + 1.0W Normal	123 mph Normal with No Ice
1.2D + 1.0W 60 deg	123 mph 60 degree with No Ice
1.2D + 1.0W 90 deg	123 mph 90 degree with No Ice
1.2D + 1.0W 120 deg	123 mph 120 degree with No Ice
1.2D + 1.0W 180 deg	123 mph 180 degree with No Ice
1.2D + 1.0W 210 deg	123 mph 210 degree with No Ice
1.2D + 1.0W 240 deg	123 mph 240 degree with No Ice
1.2D + 1.0W 300 deg	123 mph 300 degree with No Ice
1.2D + 1.0W 330 deg	123 mph 330 degree with No Ice
1.2D + 1.0Di + 1.0Wi Normal	50 mph Normal with 1.00 in Radial Ice
1.2D + 1.0Di + 1.0Wi 60 deg	50 mph 60 deg with 1.00 in Radial Ice
1.2D + 1.0Di + 1.0Wi 90 deg	50 mph 90 deg with 1.00 in Radial Ice
1.2D + 1.0Di + 1.0Wi 120 deg	50 mph 120 deg with 1.00 in Radial Ice
1.2D + 1.0Di + 1.0Wi 180 deg	50 mph 180 deg with 1.00 in Radial Ice

Analysis Parameters

1.2D + 1.0Di + 1.0Wi 210 deg	50 mph 210 deg with 1.00 in Radial Ice
1.2D + 1.0Di + 1.0Wi 240 deg	50 mph 240 deg with 1.00 in Radial Ice
1.2D + 1.0Di + 1.0Wi 300 deg	50 mph 300 deg with 1.00 in Radial Ice
1.2D + 1.0Di + 1.0Wi 330 deg	50 mph 330 deg with 1.00 in Radial Ice
1.2D + 1.0Ev + 1.0Eh Normal	Seismic Normal
1.2D + 1.0Ev + 1.0Eh 60 deg	Seismic 60 deg
1.2D + 1.0Ev + 1.0Eh 90 deg	Seismic 90 deg
1.2D + 1.0Ev + 1.0Eh 120 deg	Seismic 120 deg
1.2D + 1.0Ev + 1.0Eh 180 deg	Seismic 180 deg
1.2D + 1.0Ev + 1.0Eh 210 deg	Seismic 210 deg
1.2D + 1.0Ev + 1.0Eh 240 deg	Seismic 240 deg
1.2D + 1.0Ev + 1.0Eh 300 deg	Seismic 300 deg
1.2D + 1.0Ev + 1.0Eh 330 deg	Seismic 330 deg
0.9D - 1.0Ev + 1.0Eh Normal	Seismic (Reduced DL) Normal
0.9D - 1.0Ev + 1.0Eh 60 deg	Seismic (Reduced DL) 60 deg
0.9D - 1.0Ev + 1.0Eh 90 deg	Seismic (Reduced DL) 90 deg
0.9D - 1.0Ev + 1.0Eh 120 deg	Seismic (Reduced DL) 120 deg
0.9D - 1.0Ev + 1.0Eh 180 deg	Seismic (Reduced DL) 180 deg
0.9D - 1.0Ev + 1.0Eh 210 deg	Seismic (Reduced DL) 210 deg
0.9D - 1.0Ev + 1.0Eh 240 deg	Seismic (Reduced DL) 240 deg
0.9D - 1.0Ev + 1.0Eh 300 deg	Seismic (Reduced DL) 300 deg
0.9D - 1.0Ev + 1.0Eh 330 deg	Seismic (Reduced DL) 330 deg
1.0D + 1.0W Service Normal	Serviceability - 60 mph Wind Normal
1.0D + 1.0W Service 60 deg	Serviceability - 60 mph Wind 60 deg
1.0D + 1.0W Service 90 deg	Serviceability - 60 mph Wind 90 deg
1.0D + 1.0W Service 120 deg	Serviceability - 60 mph Wind 120 deg
1.0D + 1.0W Service 180 deg	Serviceability - 60 mph Wind 180 deg
1.0D + 1.0W Service 210 deg	Serviceability - 60 mph Wind 210 deg
1.0D + 1.0W Service 240 deg	Serviceability - 60 mph Wind 240 deg
1.0D + 1.0W Service 300 deg	Serviceability - 60 mph Wind 300 deg
1.0D + 1.0W Service 330 deg	Serviceability - 60 mph Wind 330 deg

Site Number: 6310

Code: ANSI/TIA-222-H

© 2007 - 2021 by ATC IP LLC. All rights reserved.

Site Name: FRANKLIN CT, CT

Engineering Number: 13626843_C3_03

3/24/2021 5:18:09 PM

Customer: AT&T MOBILITY

Tower Loading

Discrete Appurtenance Properties 1.2D + 1.0W

Elevation (ft)	Description	Qty	Wt. (lb)	EPA (sf)	Length (ft)	Width (in)	Depth (in)	K _a	Orient. Factor	Vert. Ecc.(ft)	M _u (lb-ft)	Q _z (psf)	F _a (WL) (lb)	P _a (DL) (lb)
300.0	Generic 10' Omni	1	25	3.0	10.0	3.0	3.0	1.00	1.00	7.0	941.4	52.74	134	30
300.0	Generic 20' Dipole	1	60	7.5	20.0	3.0	3.0	1.00	1.00	6.0	2022.2	52.73	337	72
300.0	Generic 13' Omni	1	40	3.9	13.0	3.0	3.0	1.00	1.00	3.0	524.1	52.70	175	48
300.0	Generic 6' Yagi	1	25	8.9	6.0	60.0	3.0	1.00	1.00	2.0	801.7	52.69	401	30
294.0	Round Side Arm	3	150	5.2	0.0	0.0	0.0	1.00	0.67	0.0	0.0	52.61	467	540
288.0	Generic 18' Dipole	1	55	6.8	18.0	3.0	3.0	1.00	1.00	0.0	0.0	52.55	302	66
277.0	Generic 10' Dipole	1	30	3.8	10.0	3.0	3.0	1.00	1.00	0.0	0.0	52.45	168	36
276.0	Generic 8' Omni	1	25	2.4	8.0	3.0	3.0	1.00	1.00	0.0	0.0	52.44	107	30
276.0	Generic 24" x 24"	1	20	4.8	2.0	24.0	8.0	0.80	0.67	0.0	0.0	52.44	115	24
274.0	Generic 6' Omni	1	25	1.8	6.0	3.0	3.0	1.00	1.00	0.0	0.0	52.42	78	30
268.0	Round Side Arm	3	150	5.2	0.0	0.0	0.0	1.00	0.67	0.0	0.0	52.35	465	540
241.0	Generic 13' Omni	1	40	3.9	13.0	3.0	3.0	1.00	1.00	0.0	0.0	52.07	173	48
233.0	Round Side Arm	3	150	5.2	0.0	0.0	0.0	1.00	0.67	0.0	0.0	51.97	462	540
230.0	Generic 11' Omni	1	40	3.3	11.0	3.0	3.0	1.00	1.00	0.0	0.0	51.94	146	48
228.0	Generic 14' Omni	1	40	4.2	14.0	3.0	3.0	1.00	1.00	0.0	0.0	51.91	185	48
215.0	Decibel DB224	1	32	5.4	21.3	2.0	2.0	1.00	1.00	0.0	0.0	51.74	240	38
213.0	Andrew DB224	1	38	6.1	23.0	0.0	0.0	1.00	1.00	0.0	0.0	51.72	266	46
213.0	Side Arm	2	150	6.3	0.0	0.0	0.0	0.90	0.90	0.0	0.0	51.72	449	360
213.0	Generic 22' Dipole	1	66	8.3	22.0	3.0	3.0	1.00	1.00	0.0	0.0	51.72	364	79
196.0	Ericsson RRUS 8843	3	72	1.6	1.2	13.2	10.9	0.80	0.50	0.0	0.0	51.47	86	259
196.0	Ericsson RRUS 4478	3	60	1.8	1.4	13.4	7.7	0.80	0.50	0.0	0.0	51.47	97	216
196.0	Ericsson RRUS 4449	3	71	2.0	1.5	13.2	9.4	0.80	0.50	0.0	0.0	51.47	103	256
196.0	Ericsson AIR 6449	3	82	4.0	2.5	15.9	10.6	0.80	0.70	0.0	0.0	51.47	296	294
196.0	Raycap DC9-48-60-	2	16	4.8	2.6	18.3	10.2	0.80	0.75	0.0	0.0	51.47	251	38
196.0	Sabre C10857001	3	462	14.4	0.0	0.0	0.0	0.75	0.67	0.0	0.0	51.47	950	1663
196.0	CCI DMP65R-BU8D	3	96	17.9	8.0	20.7	7.7	0.80	0.63	0.0	0.0	51.47	1182	345
196.0	CCI TPA65R-BU8D	3	83	18.1	8.0	21.0	7.8	0.80	0.63	0.0	0.0	51.47	1196	297
180.0	Alcatel-Lucent	6	53	1.7	1.3	13.0	9.8	0.80	0.50	0.0	0.0	51.19	178	381
180.0	Alcatel-Lucent 1900	3	60	2.3	2.1	11.1	10.7	0.80	0.67	0.0	0.0	51.19	162	216
180.0	Decibel DB844H90E-	3	14	3.6	4.0	6.5	8.0	0.80	0.74	0.0	0.0	51.19	279	50
180.0	Alcatel-Lucent TD-	3	70	4.0	2.2	18.6	6.7	0.80	0.67	0.0	0.0	51.19	283	252
180.0	RFS APXVTM14-ALU-	3	56	6.3	4.7	12.6	6.3	0.80	0.66	0.0	0.0	51.19	437	202
180.0	Commscope NNVV-	3	77	12.3	6.0	19.6	7.8	0.80	0.64	0.0	0.0	51.19	820	279
180.0	Round Sector Frame	3	300	14.4	0.0	0.0	0.0	0.75	0.75	0.0	0.0	51.19	1057	1080
170.0	Flat Light Sector	3	400	17.9	0.0	0.0	0.0	0.75	0.75	0.0	0.0	50.99	1309	1440
169.0	Commscope	3	21	0.6	0.8	6.9	6.4	0.80	0.50	0.0	0.0	50.97	29	75
169.0	Samsung B5/B13	3	70	1.9	1.3	15.0	8.1	0.80	0.50	0.0	0.0	50.97	97	253
169.0	Samsung B2/B66A	3	84	1.9	1.3	15.0	10.0	0.80	0.50	0.0	0.0	50.97	97	304
169.0	RFS DB-T1-6Z-8AB-	1	44	4.8	2.0	24.0	10.0	0.80	0.67	0.0	0.0	50.97	111	53
169.0	Commscope LNX-	3	39	8.2	6.1	11.9	7.1	0.80	0.69	0.0	0.0	50.97	586	141
169.0	Commscope JAHH-	6	61	9.1	6.0	13.8	8.2	0.80	0.69	0.0	0.0	50.97	1308	436
160.0	Procom CXL 900-	1	2	0.1	2.3	0.6	0.6	1.00	1.00	0.0	0.0	50.76	6	2
160.0	Generic 5" x 3" x 2"	1	2	0.1	0.4	3.2	1.9	1.00	0.50	0.0	0.0	50.76	3	2
160.0	Generic Low Noise	1	2	0.2	0.4	4.0	2.0	1.00	0.50	0.0	0.0	50.76	4	2
160.0	Flat Side Arm	1	150	6.3	0.0	0.0	0.0	1.00	0.67	0.0	0.0	50.76	182	180
130.0	Scala AP7-850/065	2	3	1.1	1.1	10.0	4.0	0.90	0.62	0.0	0.0	49.87	52	7
130.0	Generic 24" x 24"	1	20	4.8	2.0	24.0	8.0	0.90	0.67	0.0	0.0	49.87	123	24
130.0	Round Side Arm	1	150	5.2	0.0	0.0	0.0	1.00	0.67	0.0	0.0	49.87	148	180
125.0	Flat Side Arm	3	150	6.3	0.0	0.0	0.0	1.00	0.67	0.0	0.0	49.68	535	540
115.0	Round Side Arm	1	150	5.2	0.0	0.0	0.0	1.00	1.00	0.0	0.0	49.25	218	180
115.0	Generic 20' Dipole	1	60	7.5	20.0	3.0	3.0	1.00	1.00	0.0	0.0	49.25	315	72
105.0	Round Side Arm	1	150	5.2	0.0	0.0	0.0	1.00	1.00	0.0	0.0	48.75	215	180
105.0	Generic 5' Yagi	1	20	7.3	5.0	60.0	3.0	1.00	1.00	0.0	0.0	48.75	302	24
105.0	Generic 2' x 4'	1	40	7.5	4.0	48.0	24.0	1.00	1.00	0.0	0.0	48.75	309	48

Site Number: 6310

Code: ANSI/TIA-222-H

© 2007 - 2021 by ATC IP LLC. All rights reserved.

Site Name: FRANKLIN CT, CT

Engineering Number: 13626843_C3_03

3/24/2021 5:18:09 PM

Customer: AT&T MOBILITY

Tower Loading

82.00	Generic 6' Ice Shield	1	450	3.9	1.2	100.0	48.0	1.00	1.00	0.0	0.0	47.19	156	540
80.00	RFS PA6-65AC w/	1	308	24.4	6.0	72.0	0.0	1.00	1.00	0.0	0.0	47.03	976	370
Totals		113	11278	711.1									19492	13533

Discrete Appurtenance Properties 1.2D + 1.0Di + 1.0Wi

Elevation (ft)	Description	Qty	Ice Wt (lb)	Ice EPA (sf)	Length (ft)	Width (in)	Depth (in)	K _a	Orient. Factor	Vert. Ecc.(ft)	M _u (lb-ft)	Q _z (psf)	F _a (WL) (lb)	P _a (DL) (lb)
300.0	Generic 10' Omni	1	83	5.8	10.0	3.0	3.0	1.00	1.00	7.0	298.9	8.71	43	88
300.0	Generic 20' Dipole	1	230	16.6	20.0	3.0	3.0	1.00	1.00	6.0	739.0	8.71	123	242
300.0	Generic 13' Omni	1	115	7.5	13.0	3.0	3.0	1.00	1.00	3.0	165.8	8.71	55	123
300.0	Generic 6' Yagi	1	220	27.3	6.0	60.0	3.0	1.00	1.00	2.0	403.7	8.71	202	225
294.0	Round Side Arm	3	206	7.3	0.0	0.0	0.0	1.00	0.67	0.0	0.0	8.69	108	709
288.0	Generic 18' Dipole	1	208	15.0	18.0	3.0	3.0	1.00	1.00	0.0	0.0	8.68	111	219
277.0	Generic 10' Dipole	1	115	8.4	10.0	3.0	3.0	1.00	1.00	0.0	0.0	8.67	62	121
276.0	Generic 8' Omni	1	72	4.5	8.0	3.0	3.0	1.00	1.00	0.0	0.0	8.66	33	77
276.0	Generic 24" x 24"	1	108	5.9	2.0	24.0	8.0	0.80	0.67	0.0	0.0	8.66	23	112
274.0	Generic 6' Omni	1	60	2.7	6.0	3.0	3.0	1.00	1.00	0.0	0.0	8.66	20	65
268.0	Round Side Arm	3	206	7.3	0.0	0.0	0.0	1.00	0.67	0.0	0.0	8.65	108	708
241.0	Generic 13' Omni	1	115	7.5	13.0	3.0	3.0	1.00	1.00	0.0	0.0	8.60	55	123
233.0	Round Side Arm	3	206	7.3	0.0	0.0	0.0	1.00	0.67	0.0	0.0	8.59	107	708
230.0	Generic 11' Omni	1	104	6.3	11.0	3.0	3.0	1.00	1.00	0.0	0.0	8.58	46	112
228.0	Generic 14' Omni	1	121	8.0	14.0	3.0	3.0	1.00	1.00	0.0	0.0	8.58	59	129
215.0	Decibel DB224	1	159	17.8	21.3	2.0	2.0	1.00	1.00	0.0	0.0	8.55	129	166
213.0	Andrew DB224	1	180	20.0	23.0	0.0	0.0	1.00	1.00	0.0	0.0	8.55	146	188
213.0	Side Arm	2	206	8.2	0.0	0.0	0.0	0.90	0.90	0.0	0.0	8.55	96	472
213.0	Generic 22' Dipole	1	252	18.2	22.0	3.0	3.0	1.00	1.00	0.0	0.0	8.55	133	265
196.0	Ericsson RRUS 8843	3	119	2.3	1.2	13.2	10.9	0.80	0.50	0.0	0.0	8.50	20	400
196.0	Ericsson RRUS 4478	3	102	2.5	1.4	13.4	7.7	0.80	0.50	0.0	0.0	8.50	22	342
196.0	Ericsson RRUS 4449	3	120	2.7	1.5	13.2	9.4	0.80	0.50	0.0	0.0	8.50	23	403
196.0	Ericsson AIR 6449	3	171	5.1	2.5	15.9	10.6	0.80	0.70	0.0	0.0	8.50	62	561
196.0	Raycap DC9-48-60-	2	115	5.9	2.6	18.3	10.2	0.80	0.75	0.0	0.0	8.50	51	236
196.0	Sabre C10857001	3	708	22.1	0.0	0.0	0.0	0.75	0.67	0.0	0.0	8.50	240	2401
196.0	CCI DMP65R-BU8D	3	355	20.7	8.0	20.7	7.7	0.80	0.63	0.0	0.0	8.50	226	1124
196.0	CCI TPA65R-BU8D	3	346	20.9	8.0	21.0	7.8	0.80	0.63	0.0	0.0	8.50	229	1087
180.0	Alcatel-Lucent	6	98	2.4	1.3	13.0	9.8	0.80	0.50	0.0	0.0	8.46	41	652
180.0	Alcatel-Lucent 1900	3	121	3.1	2.1	11.1	10.7	0.80	0.67	0.0	0.0	8.46	36	400
180.0	Decibel DB844H90E-	3	93	3.7	4.0	6.5	8.0	0.80	0.74	0.0	0.0	8.46	47	288
180.0	Alcatel-Lucent TD-	3	142	5.1	2.2	18.6	6.7	0.80	0.67	0.0	0.0	8.46	58	468
180.0	RFS APXVTM14-ALU-	3	161	8.0	4.7	12.6	6.3	0.80	0.66	0.0	0.0	8.46	91	517
180.0	Commscope NNVV-	3	269	14.4	6.0	19.6	7.8	0.80	0.64	0.0	0.0	8.46	159	853
180.0	Round Sector Frame	3	580	27.0	0.0	0.0	0.0	0.75	0.75	0.0	0.0	8.46	328	1921
170.0	Flat Light Sector	3	629	29.4	0.0	0.0	0.0	0.75	0.75	0.0	0.0	8.43	355	2128
169.0	Commscope	3	38	0.9	0.8	6.9	6.4	0.80	0.50	0.0	0.0	8.42	8	125
169.0	Samsung B5/B13	3	114	2.6	1.3	15.0	8.1	0.80	0.50	0.0	0.0	8.42	22	384
169.0	Samsung B2/B66A	3	133	2.6	1.3	15.0	10.0	0.80	0.50	0.0	0.0	8.42	22	450
169.0	RFS DB-T1-6Z-8AB-	1	140	5.9	2.0	24.0	10.0	0.80	0.67	0.0	0.0	8.42	23	149
169.0	Commscope LNX-	3	173	10.3	6.1	11.9	7.1	0.80	0.69	0.0	0.0	8.42	122	544
169.0	Commscope JAAH-	6	215	11.2	6.0	13.8	8.2	0.80	0.69	0.0	0.0	8.42	266	1362
160.0	Procom CXL 900-	1	6	0.7	2.3	0.6	0.6	1.00	1.00	0.0	0.0	8.39	5	6
160.0	Generic 5" x 3" x 2"	1	5	0.3	0.4	3.2	1.9	1.00	0.50	0.0	0.0	8.39	1	6
160.0	Generic Low Noise	1	6	0.4	0.4	4.0	2.0	1.00	0.50	0.0	0.0	8.39	1	7
160.0	Flat Side Arm	1	206	8.2	0.0	0.0	0.0	1.00	0.67	0.0	0.0	8.39	39	236
130.0	Scala AP7-850/065	2	29	1.4	1.1	10.0	4.0	0.90	0.62	0.0	0.0	8.24	11	59
130.0	Generic 24" x 24"	1	107	5.9	2.0	24.0	8.0	0.90	0.67	0.0	0.0	8.24	25	111
130.0	Round Side Arm	1	205	7.3	0.0	0.0	0.0	1.00	0.67	0.0	0.0	8.24	34	235

Site Number: 6310

Code: ANSI/TIA-222-H

© 2007 - 2021 by ATC IP LLC. All rights reserved.

Site Name: FRANKLIN CT, CT

Engineering Number: 13626843_C3_03

3/24/2021 5:18:09 PM

Customer: AT&T MOBILITY

Tower Loading

125.0	Flat Side Arm	3	205	8.2	0.0	0.0	0.0	1.00	0.67	0.0	0.0	8.21	114	706
115.0	Round Side Arm	1	205	7.2	0.0	0.0	0.0	1.00	1.00	0.0	0.0	8.14	50	235
115.0	Generic 20' Dipole	1	227	16.5	20.0	3.0	3.0	1.00	1.00	0.0	0.0	8.14	114	239
105.0	Round Side Arm	1	205	7.2	0.0	0.0	0.0	1.00	1.00	0.0	0.0	8.05	50	235
105.0	Generic 5' Yagi	1	180	22.3	5.0	60.0	3.0	1.00	1.00	0.0	0.0	8.05	153	184
105.0	Generic 2' x 4'	1	209	45.1	4.0	48.0	24.0	1.00	1.00	0.0	0.0	8.05	309	217
82.00	Generic 6' Ice Shield	1	918	6.6	1.2	100.0	48.0	1.00	1.00	0.0	0.0	7.80	43	1008
80.00	RFS PA6-65AC w/	1	832	26.2	6.0	72.0	0.0	1.00	1.00	0.0	0.0	7.77	173	893
Totals		113	23772	1083.8									5232	26028

Discrete Appurtenance Properties 1.0D + 1.0W Service

Elevation (ft)	Description	Qty	Wt. (lb)	EPA (sf)	Length (ft)	Width (in)	Depth (in)	K _a	Orient. Factor	Vert. Ecc.(ft)	M _u (lb-ft)	Q _z (psf)	F _a (WL) (lb)	P _a (DL) (lb)
300.0	Generic 10' Omni	1	25	3.0	10.0	3.0	3.0	1.00	1.00	7.0	224.0	12.55	32	25
300.0	Generic 20' Dipole	1	60	7.5	20.0	3.0	3.0	1.00	1.00	6.0	481.2	12.55	80	60
300.0	Generic 13' Omni	1	40	3.9	13.0	3.0	3.0	1.00	1.00	3.0	124.7	12.54	42	40
300.0	Generic 6' Yagi	1	25	8.9	6.0	60.0	3.0	1.00	1.00	2.0	190.8	12.54	95	25
294.0	Round Side Arm	3	150	5.2	0.0	0.0	0.0	1.00	0.67	0.0	0.0	12.52	111	450
288.0	Generic 18' Dipole	1	55	6.8	18.0	3.0	3.0	1.00	1.00	0.0	0.0	12.51	72	55
277.0	Generic 10' Dipole	1	30	3.8	10.0	3.0	3.0	1.00	1.00	0.0	0.0	12.48	40	30
276.0	Generic 8' Omni	1	25	2.4	8.0	3.0	3.0	1.00	1.00	0.0	0.0	12.48	25	25
276.0	Generic 24" x 24"	1	20	4.8	2.0	24.0	8.0	0.80	0.67	0.0	0.0	12.48	27	20
274.0	Generic 6' Omni	1	25	1.8	6.0	3.0	3.0	1.00	1.00	0.0	0.0	12.47	19	25
268.0	Round Side Arm	3	150	5.2	0.0	0.0	0.0	1.00	0.67	0.0	0.0	12.46	111	450
241.0	Generic 13' Omni	1	40	3.9	13.0	3.0	3.0	1.00	1.00	0.0	0.0	12.39	41	40
233.0	Round Side Arm	3	150	5.2	0.0	0.0	0.0	1.00	0.67	0.0	0.0	12.37	110	450
230.0	Generic 11' Omni	1	40	3.3	11.0	3.0	3.0	1.00	1.00	0.0	0.0	12.36	35	40
228.0	Generic 14' Omni	1	40	4.2	14.0	3.0	3.0	1.00	1.00	0.0	0.0	12.35	44	40
215.0	Decibel DB224	1	32	5.4	21.3	2.0	2.0	1.00	1.00	0.0	0.0	12.31	57	32
213.0	Andrew DB224	1	38	6.1	23.0	0.0	0.0	1.00	1.00	0.0	0.0	12.31	63	38
213.0	Side Arm	2	150	6.3	0.0	0.0	0.0	0.90	0.90	0.0	0.0	12.31	107	300
213.0	Generic 22' Dipole	1	66	8.3	22.0	3.0	3.0	1.00	1.00	0.0	0.0	12.31	87	66
196.0	Ericsson RRUS 8843	3	72	1.6	1.2	13.2	10.9	0.80	0.50	0.0	0.0	12.25	20	216
196.0	Ericsson RRUS 4478	3	60	1.8	1.4	13.4	7.7	0.80	0.50	0.0	0.0	12.25	23	180
196.0	Ericsson RRUS 4449	3	71	2.0	1.5	13.2	9.4	0.80	0.50	0.0	0.0	12.25	25	213
196.0	Ericsson AIR 6449	3	82	4.0	2.5	15.9	10.6	0.80	0.70	0.0	0.0	12.25	70	245
196.0	Raycap DC9-48-60-	2	16	4.8	2.6	18.3	10.2	0.80	0.75	0.0	0.0	12.25	60	32
196.0	Sabre C10857001	3	462	14.4	0.0	0.0	0.0	0.75	0.67	0.0	0.0	12.25	226	1386
196.0	CCI DMP65R-BU8D	3	96	17.9	8.0	20.7	7.7	0.80	0.63	0.0	0.0	12.25	281	287
196.0	CCI TPA65R-BU8D	3	83	18.1	8.0	21.0	7.8	0.80	0.63	0.0	0.0	12.25	285	248
180.0	Alcatel-Lucent	6	53	1.7	1.3	13.0	9.8	0.80	0.50	0.0	0.0	12.18	42	317
180.0	Alcatel-Lucent 1900	3	60	2.3	2.1	11.1	10.7	0.80	0.67	0.0	0.0	12.18	39	180
180.0	Decibel DB844H90E-	3	14	3.6	4.0	6.5	8.0	0.80	0.74	0.0	0.0	12.18	66	42
180.0	Alcatel-Lucent TD-	3	70	4.0	2.2	18.6	6.7	0.80	0.67	0.0	0.0	12.18	67	210
180.0	RFS APXVTM14-ALU-	3	56	6.3	4.7	12.6	6.3	0.80	0.66	0.0	0.0	12.18	104	169
180.0	Commscope NNVV-	3	77	12.3	6.0	19.6	7.8	0.80	0.64	0.0	0.0	12.18	195	232
180.0	Round Sector Frame	3	300	14.4	0.0	0.0	0.0	0.75	0.75	0.0	0.0	12.18	252	900
170.0	Flat Light Sector	3	400	17.9	0.0	0.0	0.0	0.75	0.75	0.0	0.0	12.13	312	1200
169.0	Commscope	3	21	0.6	0.8	6.9	6.4	0.80	0.50	0.0	0.0	12.13	7	62
169.0	Samsung B5/B13	3	70	1.9	1.3	15.0	8.1	0.80	0.50	0.0	0.0	12.13	23	211
169.0	Samsung B2/B66A	3	84	1.9	1.3	15.0	10.0	0.80	0.50	0.0	0.0	12.13	23	253
169.0	RFS DB-T1-6Z-8AB-	1	44	4.8	2.0	24.0	10.0	0.80	0.67	0.0	0.0	12.13	27	44
169.0	Commscope LNX-	3	39	8.2	6.1	11.9	7.1	0.80	0.69	0.0	0.0	12.13	140	118
169.0	Commscope JAHH-	6	61	9.1	6.0	13.8	8.2	0.80	0.69	0.0	0.0	12.13	311	364
160.0	Procom CXL 900-	1	2	0.1	2.3	0.6	0.6	1.00	1.00	0.0	0.0	12.08	1	2

Site Number: 6310

Code: ANSI/TIA-222-H

© 2007 - 2021 by ATC IP LLC. All rights reserved.

Site Name: FRANKLIN CT, CT

Engineering Number: 13626843_C3_03

3/24/2021 5:18:09 PM

Customer: AT&T MOBILITY

Tower Loading

160.0	Generic 5" x 3" x 2"	1	2	0.1	0.4	3.2	1.9	1.00	0.50	0.0	0.0	12.08	1	2
160.0	Generic Low Noise	1	2	0.2	0.4	4.0	2.0	1.00	0.50	0.0	0.0	12.08	1	2
160.0	Flat Side Arm	1	150	6.3	0.0	0.0	0.0	1.00	0.67	0.0	0.0	12.08	43	150
130.0	Scala AP7-850/065	2	3	1.1	1.1	10.0	4.0	0.90	0.62	0.0	0.0	11.87	12	6
130.0	Generic 24" x 24"	1	20	4.8	2.0	24.0	8.0	0.90	0.67	0.0	0.0	11.87	29	20
130.0	Round Side Arm	1	150	5.2	0.0	0.0	0.0	1.00	0.67	0.0	0.0	11.87	35	150
125.0	Flat Side Arm	3	150	6.3	0.0	0.0	0.0	1.00	0.67	0.0	0.0	11.82	127	450
115.0	Round Side Arm	1	150	5.2	0.0	0.0	0.0	1.00	1.00	0.0	0.0	11.72	52	150
115.0	Generic 20' Dipole	1	60	7.5	20.0	3.0	3.0	1.00	1.00	0.0	0.0	11.72	75	60
105.0	Round Side Arm	1	150	5.2	0.0	0.0	0.0	1.00	1.00	0.0	0.0	11.60	51	150
105.0	Generic 5' Yagi	1	20	7.3	5.0	60.0	3.0	1.00	1.00	0.0	0.0	11.60	72	20
105.0	Generic 2' x 4'	1	40	7.5	4.0	48.0	24.0	1.00	1.00	0.0	0.0	11.60	74	40
82.00	Generic 6' Ice Shield	1	450	3.9	1.2	100.0	48.0	1.00	1.00	0.0	0.0	11.23	37	450
80.00	RFS PA6-65AC w/	1	308	24.4	6.0	72.0	0.0	1.00	1.00	0.0	0.0	11.19	232	308
	Totals	113	11278	711.1									4638	11278

Site Number: 6310

Code:

ANSI/TIA-222-H

© 2007 - 2021 by ATC IP LLC. All rights reserved.

Site Name: FRANKLIN CT, CT

Engineering Number: 13626843_C3_03

3/24/2021 5:18:09 PM

Customer: AT&T MOBILITY

Tower Loading

Linear Appurtenance Properties

Elev From (ft)	Elev To (ft)	Description	Qty	Width (in)	Weight (lb/ft)	Pct In Block	Spread On Faces	Bundling Arrangement	Cluster Dia (in)	Out Of Zone	Spacing (in)	Orientation Factor	Ka Override
5.00	307.0	7/8" Coax	1	1.09	0.33	100	1	Individual	0.00	N	1.00	1.00	0.00
5.00	306.0	7/8" Coax	1	1.09	0.33	100	2	Individual	0.00	N	1.00	1.00	0.00
5.00	303.0	7/8" Coax	1	1.09	0.33	100	2	Individual	0.00	N	1.00	1.00	0.00
5.00	288.0	1 1/4" Coax	2	1.55	0.63	100	1	Individual	0.00	N	1.00	1.00	0.00
0.00	276.0	7/8" Coax	1	1.09	0.33	100	1	Individual	0.00	N	1.00	1.00	0.00
0.00	274.0	7/8" Coax	1	1.09	0.33	100	1	Individual	0.00	N	1.00	1.00	0.00
0.00	215.0	7/8" Coax	1	1.09	0.33	100	1	Individual	0.00	N	1.00	1.00	0.00
5.00	213.0	1/2" Coax	1	0.63	0.15	100	1	Individual	0.00	N	1.00	1.00	0.00
0.00	196.0	0.39" (10mm) Fiber	2	0.39	0.06	100	2	Individual	0.00	N	1.00	1.00	0.00
0.00	196.0	0.92" (23.4mm)	4	0.92	0.89	100	2	Individual	0.00	N	1.00	1.00	0.00
5.00	180.0	1 1/4" Hybriflex	4	1.54	1.00	100	2	Individual	0.00	N	1.00	1.00	0.00
5.00	180.0	1 5/8" Coax	9	1.98	0.82	100	2	Individual	0.00	N	1.00	1.00	0.00
0.00	170.0	1 1/4" (1.25"-	1	1.25	1.05	100	1	Individual	0.00	N	1.00	1.00	0.00
0.00	169.0	1 5/8" Coax	6	1.98	0.82	100	1	Individual	0.00	N	1.00	1.00	0.00
0.00	169.0	1 5/8" Hybriflex	1	1.98	1.30	100	1	Individual	0.00	N	1.00	1.00	0.00
0.00	160.0	1/2" Coax	1	0.63	0.15	100	1	Individual	0.00	N	1.00	1.00	0.00
0.00	130.0	1 5/8" Coax	2	1.98	0.82	100	3	Individual	0.00	N	1.00	1.00	0.00
5.00	130.0	0.41" (10.3mm)	4	0.41	0.07	100	3	Individual	0.00	N	1.00	1.00	0.00
5.00	115.0	1/2" Coax	1	0.63	0.15	100	3	Individual	0.00	N	1.00	1.00	0.00
0.00	80.00	EW52	1	2.25	0.59	100	3	Individual	0.00	N	1.00	1.00	0.00

Site Number: 6310

Code:

ANSI/TIA-222-H

© 2007 - 2021 by ATC IP LLC. All rights reserved.

Site Name: FRANKLIN CT, CT

Engineering Number: 13626843_C3_03

3/24/2021 5:18:09 PM

Customer: AT&T MOBILITY

Section Forces

LoadCase 1.2D + 1.0W Normal

123 mph Normal with No Ice

Gust Response Factor (Gh): 0.85

Wind Importance Factor (Iw) : 1.00

Section Elev. (ft)	Q _z (psf)	A _f (sf)	A _r (sf)	Ice A _r (sf)	e	C _f	D _f	D _r	T _{iz} (in)	A _e (sf)	EPA _a (sf)	EPA _{bi} (sf)	Wt. (lb)	Ice Wt. (lb)	F _{st} (lb)	F _a (lb)	Force (lb)	
16	290.00	52.57	4.694	9.497	0.000	0.170	2.70	1.00	1.00	0.0	10.16	27.40	0.00	1274	0	1225	242	1466
15	270.00	52.37	3.833	9.497	0.000	0.160	2.74	1.00	1.00	0.0	9.28	25.39	0.00	1257	0	1130	428	1558
14	250.00	52.17	4.694	9.497	0.000	0.170	2.70	1.00	1.00	0.0	10.16	27.40	0.00	1308	0	1215	455	1670
13	230.00	51.94	3.833	9.497	0.000	0.160	2.74	1.00	1.00	0.0	9.28	25.39	0.00	1261	0	1121	453	1574
12	210.00	51.68	3.833	9.497	0.000	0.160	2.74	1.00	1.00	0.0	9.28	25.39	0.00	1269	0	1115	515	1631
11	190.00	51.37	4.694	9.497	0.000	0.170	2.70	1.00	1.00	0.0	10.16	27.40	0.00	1391	0	1197	725	1922
10	170.00	50.99	3.813	10.319	0.000	0.169	2.70	1.00	1.00	0.0	9.75	26.35	0.00	1918	0	1142	2370	3512
9	150.00	50.50	3.813	10.319	0.000	0.169	2.70	1.00	1.00	0.0	9.75	26.35	0.00	2016	0	1131	2805	3936
8	130.00	49.87	4.677	10.319	0.000	0.179	2.67	1.00	1.00	0.0	10.63	28.35	0.00	2087	0	1202	2912	4114
7	110.00	49.01	3.813	10.319	0.000	0.169	2.70	1.00	1.00	0.0	9.75	26.35	0.00	2065	0	1098	3025	4123
6	90.00	47.81	3.813	10.319	0.000	0.169	2.70	1.00	1.00	0.0	9.75	26.35	0.00	2066	0	1071	2959	4030
5	70.00	46.08	3.813	10.319	0.000	0.169	2.70	1.00	1.00	0.0	9.75	26.35	0.00	2080	0	1032	2958	3990
4	50.00	43.45	4.677	10.319	0.000	0.179	2.67	1.00	1.00	0.0	10.63	28.35	0.00	2128	0	1047	2789	3835
3	30.00	39.08	3.813	10.319	0.000	0.169	2.70	1.00	1.00	0.0	9.75	26.35	0.00	2080	0	875	2508	3384
2	12.00	40.57	3.177	8.250	0.000	0.171	2.70	1.00	1.00	0.0	7.92	21.37	0.00	1654	0	737	2014	2751
1	2.00	41.48	2.561	1.732	0.000	0.491	1.91	1.00	1.00	0.0	3.74	7.15	0.00	515	0	252	213	465
														26369	0			43961

LoadCase 1.2D + 1.0W 60 deg

123 mph 60 degree with No Ice

Gust Response Factor (Gh): 0.85

Wind Importance Factor (Iw) : 1.00

Section Elev. (ft)	Q _z (psf)	A _f (sf)	A _r (sf)	Ice A _r (sf)	e	C _f	D _f	D _r	T _{iz} (in)	A _e (sf)	EPA _a (sf)	EPA _{bi} (sf)	Wt. (lb)	Ice Wt. (lb)	F _{st} (lb)	F _a (lb)	Force (lb)	
16	290.00	52.57	4.694	9.497	0.000	0.170	2.70	0.80	1.00	0.0	9.22	24.87	0.00	1274	0	1111	242	1353
15	270.00	52.37	3.833	9.497	0.000	0.160	2.74	0.80	1.00	0.0	8.52	23.29	0.00	1257	0	1037	428	1465
14	250.00	52.17	4.694	9.497	0.000	0.170	2.70	0.80	1.00	0.0	9.22	24.87	0.00	1308	0	1103	455	1558
13	230.00	51.94	3.833	9.497	0.000	0.160	2.74	0.80	1.00	0.0	8.52	23.29	0.00	1261	0	1028	453	1481
12	210.00	51.68	3.833	9.497	0.000	0.160	2.74	0.80	1.00	0.0	8.52	23.29	0.00	1269	0	1023	515	1538
11	190.00	51.37	4.694	9.497	0.000	0.170	2.70	0.80	1.00	0.0	9.22	24.87	0.00	1391	0	1086	725	1811
10	170.00	50.99	3.813	10.319	0.000	0.169	2.70	0.80	1.00	0.0	8.98	24.29	0.00	1918	0	1053	2370	3423
9	150.00	50.50	3.813	10.319	0.000	0.169	2.70	0.80	1.00	0.0	8.98	24.29	0.00	2016	0	1043	2805	3848
8	130.00	49.87	4.677	10.319	0.000	0.179	2.67	0.80	1.00	0.0	9.69	25.85	0.00	2087	0	1096	2912	4008
7	110.00	49.01	3.813	10.319	0.000	0.169	2.70	0.80	1.00	0.0	8.98	24.29	0.00	2065	0	1012	3025	4037
6	90.00	47.81	3.813	10.319	0.000	0.169	2.70	0.80	1.00	0.0	8.98	24.29	0.00	2066	0	987	2959	3946
5	70.00	46.08	3.813	10.319	0.000	0.169	2.70	0.80	1.00	0.0	8.98	24.29	0.00	2080	0	951	2958	3909
4	50.00	43.45	4.677	10.319	0.000	0.179	2.67	0.80	1.00	0.0	9.69	25.85	0.00	2128	0	955	2789	3743
3	30.00	39.08	3.813	10.319	0.000	0.169	2.70	0.80	1.00	0.0	8.98	24.29	0.00	2080	0	807	2508	3315
2	12.00	40.57	3.177	8.250	0.000	0.171	2.70	0.80	1.00	0.0	7.29	19.66	0.00	1654	0	678	2014	2692
1	2.00	41.48	2.561	1.732	0.000	0.491	1.91	0.80	1.00	0.0	3.23	6.17	0.00	515	0	218	213	431
														26369	0			42558

Site Number: 6310

Code: ANSI/TIA-222-H

© 2007 - 2021 by ATC IP LLC. All rights reserved.

Site Name: FRANKLIN CT, CT

Engineering Number: 13626843_C3_03

3/24/2021 5:18:09 PM

Customer: AT&T MOBILITY

Section Forces

LoadCase 1.2D + 1.0W 90 deg

123 mph 90 degree with No Ice

Gust Response Factor (Gh): 0.85

Wind Importance Factor (Iw) : 1.00

Section Elev. (ft)	Q _z (psf)	A _f (sf)	A _r (sf)	Ice A _r (sf)	e	C _f	D _f	D _r	T _{iz} (in)	A _e (sf)	EPA _a (sf)	EPA _{bi} (sf)	Wt. (lb)	Ice Wt. (lb)	F _{st} (lb)	F _a (lb)	Force (lb)	
16	290.00	52.57	4.694	9.497	0.000	0.170	2.70	0.85	1.00	0.0	9.45	25.50	0.00	1274	0	1140	242	1382
15	270.00	52.37	3.833	9.497	0.000	0.160	2.74	0.85	1.00	0.0	8.71	23.82	0.00	1257	0	1060	428	1488
14	250.00	52.17	4.694	9.497	0.000	0.170	2.70	0.85	1.00	0.0	9.45	25.50	0.00	1308	0	1131	455	1586
13	230.00	51.94	3.833	9.497	0.000	0.160	2.74	0.85	1.00	0.0	8.71	23.82	0.00	1261	0	1051	453	1504
12	210.00	51.68	3.833	9.497	0.000	0.160	2.74	0.85	1.00	0.0	8.71	23.82	0.00	1269	0	1046	515	1562
11	190.00	51.37	4.694	9.497	0.000	0.170	2.70	0.85	1.00	0.0	9.45	25.50	0.00	1391	0	1114	725	1839
10	170.00	50.99	3.813	10.319	0.000	0.169	2.70	0.85	1.00	0.0	9.18	24.81	0.00	1918	0	1075	2370	3445
9	150.00	50.50	3.813	10.319	0.000	0.169	2.70	0.85	1.00	0.0	9.18	24.81	0.00	2016	0	1065	2805	3870
8	130.00	49.87	4.677	10.319	0.000	0.179	2.67	0.85	1.00	0.0	9.92	26.47	0.00	2087	0	1122	2912	4034
7	110.00	49.01	3.813	10.319	0.000	0.169	2.70	0.85	1.00	0.0	9.18	24.81	0.00	2065	0	1033	3025	4059
6	90.00	47.81	3.813	10.319	0.000	0.169	2.70	0.85	1.00	0.0	9.18	24.81	0.00	2066	0	1008	2959	3967
5	70.00	46.08	3.813	10.319	0.000	0.169	2.70	0.85	1.00	0.0	9.18	24.81	0.00	2080	0	972	2958	3929
4	50.00	43.45	4.677	10.319	0.000	0.179	2.67	0.85	1.00	0.0	9.92	26.47	0.00	2128	0	978	2789	3766
3	30.00	39.08	3.813	10.319	0.000	0.169	2.70	0.85	1.00	0.0	9.18	24.81	0.00	2080	0	824	2508	3332
2	12.00	40.57	3.177	8.250	0.000	0.171	2.70	0.85	1.00	0.0	7.45	20.09	0.00	1654	0	693	2014	2707
1	2.00	41.48	2.561	1.732	0.000	0.491	1.91	0.85	1.00	0.0	3.35	6.42	0.00	515	0	226	213	439
														26369	0			42909

LoadCase 1.2D + 1.0W 120 deg

123 mph 120 degree with No Ice

Gust Response Factor (Gh): 0.85

Wind Importance Factor (Iw) : 1.00

Section Elev. (ft)	Q _z (psf)	A _f (sf)	A _r (sf)	Ice A _r (sf)	e	C _f	D _f	D _r	T _{iz} (in)	A _e (sf)	EPA _a (sf)	EPA _{bi} (sf)	Wt. (lb)	Ice Wt. (lb)	F _{st} (lb)	F _a (lb)	Force (lb)	
16	290.00	52.57	4.694	9.497	0.000	0.170	2.70	1.00	1.00	0.0	10.16	27.40	0.00	1274	0	1225	242	1466
15	270.00	52.37	3.833	9.497	0.000	0.160	2.74	1.00	1.00	0.0	9.28	25.39	0.00	1257	0	1130	428	1558
14	250.00	52.17	4.694	9.497	0.000	0.170	2.70	1.00	1.00	0.0	10.16	27.40	0.00	1308	0	1215	455	1670
13	230.00	51.94	3.833	9.497	0.000	0.160	2.74	1.00	1.00	0.0	9.28	25.39	0.00	1261	0	1121	453	1574
12	210.00	51.68	3.833	9.497	0.000	0.160	2.74	1.00	1.00	0.0	9.28	25.39	0.00	1269	0	1115	515	1631
11	190.00	51.37	4.694	9.497	0.000	0.170	2.70	1.00	1.00	0.0	10.16	27.40	0.00	1391	0	1197	725	1922
10	170.00	50.99	3.813	10.319	0.000	0.169	2.70	1.00	1.00	0.0	9.75	26.35	0.00	1918	0	1142	2370	3512
9	150.00	50.50	3.813	10.319	0.000	0.169	2.70	1.00	1.00	0.0	9.75	26.35	0.00	2016	0	1131	2805	3936
8	130.00	49.87	4.677	10.319	0.000	0.179	2.67	1.00	1.00	0.0	10.63	28.35	0.00	2087	0	1202	2912	4114
7	110.00	49.01	3.813	10.319	0.000	0.169	2.70	1.00	1.00	0.0	9.75	26.35	0.00	2065	0	1098	3025	4123
6	90.00	47.81	3.813	10.319	0.000	0.169	2.70	1.00	1.00	0.0	9.75	26.35	0.00	2066	0	1071	2959	4030
5	70.00	46.08	3.813	10.319	0.000	0.169	2.70	1.00	1.00	0.0	9.75	26.35	0.00	2080	0	1032	2958	3990
4	50.00	43.45	4.677	10.319	0.000	0.179	2.67	1.00	1.00	0.0	10.63	28.35	0.00	2128	0	1047	2789	3835
3	30.00	39.08	3.813	10.319	0.000	0.169	2.70	1.00	1.00	0.0	9.75	26.35	0.00	2080	0	875	2508	3384
2	12.00	40.57	3.177	8.250	0.000	0.171	2.70	1.00	1.00	0.0	7.92	21.37	0.00	1654	0	737	2014	2751
1	2.00	41.48	2.561	1.732	0.000	0.491	1.91	1.00	1.00	0.0	3.74	7.15	0.00	515	0	252	213	465
														26369	0			43961

Site Number: 6310

Code: ANSI/TIA-222-H

© 2007 - 2021 by ATC IP LLC. All rights reserved.

Site Name: FRANKLIN CT, CT

Engineering Number: 13626843_C3_03

3/24/2021 5:18:09 PM

Customer: AT&T MOBILITY

Section Forces

LoadCase 1.2D + 1.0W 180 deg

123 mph 180 degree with No Ice

Gust Response Factor (Gh): 0.85

Wind Importance Factor (Iw) : 1.00

Section Elev. (ft)	Q _z (psf)	A _f (sf)	A _r (sf)	Ice A _r (sf)	e	C _f	D _f	D _r	T _{iz} (in)	A _e (sf)	EPA _a (sf)	EPA _{bi} (sf)	Wt. (lb)	Ice Wt. (lb)	F _{st} (lb)	F _a (lb)	Force (lb)	
16	290.00	52.57	4.694	9.497	0.000	0.170	2.70	0.80	1.00	0.0	9.22	24.87	0.00	1274	0	1111	242	1353
15	270.00	52.37	3.833	9.497	0.000	0.160	2.74	0.80	1.00	0.0	8.52	23.29	0.00	1257	0	1037	428	1465
14	250.00	52.17	4.694	9.497	0.000	0.170	2.70	0.80	1.00	0.0	9.22	24.87	0.00	1308	0	1103	455	1558
13	230.00	51.94	3.833	9.497	0.000	0.160	2.74	0.80	1.00	0.0	8.52	23.29	0.00	1261	0	1028	453	1481
12	210.00	51.68	3.833	9.497	0.000	0.160	2.74	0.80	1.00	0.0	8.52	23.29	0.00	1269	0	1023	515	1538
11	190.00	51.37	4.694	9.497	0.000	0.170	2.70	0.80	1.00	0.0	9.22	24.87	0.00	1391	0	1086	725	1811
10	170.00	50.99	3.813	10.319	0.000	0.169	2.70	0.80	1.00	0.0	8.98	24.29	0.00	1918	0	1053	2370	3423
9	150.00	50.50	3.813	10.319	0.000	0.169	2.70	0.80	1.00	0.0	8.98	24.29	0.00	2016	0	1043	2805	3848
8	130.00	49.87	4.677	10.319	0.000	0.179	2.67	0.80	1.00	0.0	9.69	25.85	0.00	2087	0	1096	2912	4008
7	110.00	49.01	3.813	10.319	0.000	0.169	2.70	0.80	1.00	0.0	8.98	24.29	0.00	2065	0	1012	3025	4037
6	90.00	47.81	3.813	10.319	0.000	0.169	2.70	0.80	1.00	0.0	8.98	24.29	0.00	2066	0	987	2959	3946
5	70.00	46.08	3.813	10.319	0.000	0.169	2.70	0.80	1.00	0.0	8.98	24.29	0.00	2080	0	951	2958	3909
4	50.00	43.45	4.677	10.319	0.000	0.179	2.67	0.80	1.00	0.0	9.69	25.85	0.00	2128	0	955	2789	3743
3	30.00	39.08	3.813	10.319	0.000	0.169	2.70	0.80	1.00	0.0	8.98	24.29	0.00	2080	0	807	2508	3315
2	12.00	40.57	3.177	8.250	0.000	0.171	2.70	0.80	1.00	0.0	7.29	19.66	0.00	1654	0	678	2014	2692
1	2.00	41.48	2.561	1.732	0.000	0.491	1.91	0.80	1.00	0.0	3.23	6.17	0.00	515	0	218	213	431
														26369	0			42558

LoadCase 1.2D + 1.0W 210 deg

123 mph 210 degree with No Ice

Gust Response Factor (Gh): 0.85

Wind Importance Factor (Iw) : 1.00

Section Elev. (ft)	Q _z (psf)	A _f (sf)	A _r (sf)	Ice A _r (sf)	e	C _f	D _f	D _r	T _{iz} (in)	A _e (sf)	EPA _a (sf)	EPA _{bi} (sf)	Wt. (lb)	Ice Wt. (lb)	F _{st} (lb)	F _a (lb)	Force (lb)	
16	290.00	52.57	4.694	9.497	0.000	0.170	2.70	0.85	1.00	0.0	9.45	25.50	0.00	1274	0	1140	242	1382
15	270.00	52.37	3.833	9.497	0.000	0.160	2.74	0.85	1.00	0.0	8.71	23.82	0.00	1257	0	1060	428	1488
14	250.00	52.17	4.694	9.497	0.000	0.170	2.70	0.85	1.00	0.0	9.45	25.50	0.00	1308	0	1131	455	1586
13	230.00	51.94	3.833	9.497	0.000	0.160	2.74	0.85	1.00	0.0	8.71	23.82	0.00	1261	0	1051	453	1504
12	210.00	51.68	3.833	9.497	0.000	0.160	2.74	0.85	1.00	0.0	8.71	23.82	0.00	1269	0	1046	515	1562
11	190.00	51.37	4.694	9.497	0.000	0.170	2.70	0.85	1.00	0.0	9.45	25.50	0.00	1391	0	1114	725	1839
10	170.00	50.99	3.813	10.319	0.000	0.169	2.70	0.85	1.00	0.0	9.18	24.81	0.00	1918	0	1075	2370	3445
9	150.00	50.50	3.813	10.319	0.000	0.169	2.70	0.85	1.00	0.0	9.18	24.81	0.00	2016	0	1065	2805	3870
8	130.00	49.87	4.677	10.319	0.000	0.179	2.67	0.85	1.00	0.0	9.92	26.47	0.00	2087	0	1122	2912	4034
7	110.00	49.01	3.813	10.319	0.000	0.169	2.70	0.85	1.00	0.0	9.18	24.81	0.00	2065	0	1033	3025	4059
6	90.00	47.81	3.813	10.319	0.000	0.169	2.70	0.85	1.00	0.0	9.18	24.81	0.00	2066	0	1008	2959	3967
5	70.00	46.08	3.813	10.319	0.000	0.169	2.70	0.85	1.00	0.0	9.18	24.81	0.00	2080	0	972	2958	3929
4	50.00	43.45	4.677	10.319	0.000	0.179	2.67	0.85	1.00	0.0	9.92	26.47	0.00	2128	0	978	2789	3766
3	30.00	39.08	3.813	10.319	0.000	0.169	2.70	0.85	1.00	0.0	9.18	24.81	0.00	2080	0	824	2508	3332
2	12.00	40.57	3.177	8.250	0.000	0.171	2.70	0.85	1.00	0.0	7.45	20.09	0.00	1654	0	693	2014	2707
1	2.00	41.48	2.561	1.732	0.000	0.491	1.91	0.85	1.00	0.0	3.35	6.42	0.00	515	0	226	213	439
														26369	0			42909

Site Number: 6310

Code: ANSI/TIA-222-H

© 2007 - 2021 by ATC IP LLC. All rights reserved.

Site Name: FRANKLIN CT, CT

Engineering Number: 13626843_C3_03

3/24/2021 5:18:09 PM

Customer: AT&T MOBILITY

Section Forces

LoadCase 1.2D + 1.0W 240 deg

123 mph 240 degree with No Ice

Gust Response Factor (Gh): 0.85

Wind Importance Factor (Iw) : 1.00

Section Elev. (ft)	Q _z (psf)	A _f (sf)	A _r (sf)	Ice A _r (sf)	e	C _f	D _f	D _r	T _{iz} (in)	A _e (sf)	EPA _a (sf)	EPA _{bi} (sf)	Wt. (lb)	Ice Wt. (lb)	F _{st} (lb)	F _a (lb)	Force (lb)	
16	290.00	52.57	4.694	9.497	0.000	0.170	2.70	1.00	1.00	0.0	10.16	27.40	0.00	1274	0	1225	242	1466
15	270.00	52.37	3.833	9.497	0.000	0.160	2.74	1.00	1.00	0.0	9.28	25.39	0.00	1257	0	1130	428	1558
14	250.00	52.17	4.694	9.497	0.000	0.170	2.70	1.00	1.00	0.0	10.16	27.40	0.00	1308	0	1215	455	1670
13	230.00	51.94	3.833	9.497	0.000	0.160	2.74	1.00	1.00	0.0	9.28	25.39	0.00	1261	0	1121	453	1574
12	210.00	51.68	3.833	9.497	0.000	0.160	2.74	1.00	1.00	0.0	9.28	25.39	0.00	1269	0	1115	515	1631
11	190.00	51.37	4.694	9.497	0.000	0.170	2.70	1.00	1.00	0.0	10.16	27.40	0.00	1391	0	1197	725	1922
10	170.00	50.99	3.813	10.319	0.000	0.169	2.70	1.00	1.00	0.0	9.75	26.35	0.00	1918	0	1142	2370	3512
9	150.00	50.50	3.813	10.319	0.000	0.169	2.70	1.00	1.00	0.0	9.75	26.35	0.00	2016	0	1131	2805	3936
8	130.00	49.87	4.677	10.319	0.000	0.179	2.67	1.00	1.00	0.0	10.63	28.35	0.00	2087	0	1202	2912	4114
7	110.00	49.01	3.813	10.319	0.000	0.169	2.70	1.00	1.00	0.0	9.75	26.35	0.00	2065	0	1098	3025	4123
6	90.00	47.81	3.813	10.319	0.000	0.169	2.70	1.00	1.00	0.0	9.75	26.35	0.00	2066	0	1071	2959	4030
5	70.00	46.08	3.813	10.319	0.000	0.169	2.70	1.00	1.00	0.0	9.75	26.35	0.00	2080	0	1032	2958	3990
4	50.00	43.45	4.677	10.319	0.000	0.179	2.67	1.00	1.00	0.0	10.63	28.35	0.00	2128	0	1047	2789	3835
3	30.00	39.08	3.813	10.319	0.000	0.169	2.70	1.00	1.00	0.0	9.75	26.35	0.00	2080	0	875	2508	3384
2	12.00	40.57	3.177	8.250	0.000	0.171	2.70	1.00	1.00	0.0	7.92	21.37	0.00	1654	0	737	2014	2751
1	2.00	41.48	2.561	1.732	0.000	0.491	1.91	1.00	1.00	0.0	3.74	7.15	0.00	515	0	252	213	465
														26369	0			43961

LoadCase 1.2D + 1.0W 300 deg

123 mph 300 degree with No Ice

Gust Response Factor (Gh): 0.85

Wind Importance Factor (Iw) : 1.00

Section Elev. (ft)	Q _z (psf)	A _f (sf)	A _r (sf)	Ice A _r (sf)	e	C _f	D _f	D _r	T _{iz} (in)	A _e (sf)	EPA _a (sf)	EPA _{bi} (sf)	Wt. (lb)	Ice Wt. (lb)	F _{st} (lb)	F _a (lb)	Force (lb)	
16	290.00	52.57	4.694	9.497	0.000	0.170	2.70	0.80	1.00	0.0	9.22	24.87	0.00	1274	0	1111	242	1353
15	270.00	52.37	3.833	9.497	0.000	0.160	2.74	0.80	1.00	0.0	8.52	23.29	0.00	1257	0	1037	428	1465
14	250.00	52.17	4.694	9.497	0.000	0.170	2.70	0.80	1.00	0.0	9.22	24.87	0.00	1308	0	1103	455	1558
13	230.00	51.94	3.833	9.497	0.000	0.160	2.74	0.80	1.00	0.0	8.52	23.29	0.00	1261	0	1028	453	1481
12	210.00	51.68	3.833	9.497	0.000	0.160	2.74	0.80	1.00	0.0	8.52	23.29	0.00	1269	0	1023	515	1538
11	190.00	51.37	4.694	9.497	0.000	0.170	2.70	0.80	1.00	0.0	9.22	24.87	0.00	1391	0	1086	725	1811
10	170.00	50.99	3.813	10.319	0.000	0.169	2.70	0.80	1.00	0.0	8.98	24.29	0.00	1918	0	1053	2370	3423
9	150.00	50.50	3.813	10.319	0.000	0.169	2.70	0.80	1.00	0.0	8.98	24.29	0.00	2016	0	1043	2805	3848
8	130.00	49.87	4.677	10.319	0.000	0.179	2.67	0.80	1.00	0.0	9.69	25.85	0.00	2087	0	1096	2912	4008
7	110.00	49.01	3.813	10.319	0.000	0.169	2.70	0.80	1.00	0.0	8.98	24.29	0.00	2065	0	1012	3025	4037
6	90.00	47.81	3.813	10.319	0.000	0.169	2.70	0.80	1.00	0.0	8.98	24.29	0.00	2066	0	987	2959	3946
5	70.00	46.08	3.813	10.319	0.000	0.169	2.70	0.80	1.00	0.0	8.98	24.29	0.00	2080	0	951	2958	3909
4	50.00	43.45	4.677	10.319	0.000	0.179	2.67	0.80	1.00	0.0	9.69	25.85	0.00	2128	0	955	2789	3743
3	30.00	39.08	3.813	10.319	0.000	0.169	2.70	0.80	1.00	0.0	8.98	24.29	0.00	2080	0	807	2508	3315
2	12.00	40.57	3.177	8.250	0.000	0.171	2.70	0.80	1.00	0.0	7.29	19.66	0.00	1654	0	678	2014	2692
1	2.00	41.48	2.561	1.732	0.000	0.491	1.91	0.80	1.00	0.0	3.23	6.17	0.00	515	0	218	213	431
														26369	0			42558

Site Number: 6310

Code: ANSI/TIA-222-H

© 2007 - 2021 by ATC IP LLC. All rights reserved.

Site Name: FRANKLIN CT, CT

Engineering Number: 13626843_C3_03

3/24/2021 5:18:09 PM

Customer: AT&T MOBILITY

Section Forces

LoadCase 1.2D + 1.0W 330 deg

123 mph 330 degree with No Ice

Gust Response Factor (Gh): 0.85

Wind Importance Factor (Iw) : 1.00

Section Elev. (ft)	Q _z (psf)	A _f (sf)	A _r (sf)	Ice A _r (sf)	e	C _f	D _f	D _r	T _{iz} (in)	A _e (sf)	EPA _a (sf)	EPA _{bi} (sf)	Wt. (lb)	Ice Wt. (lb)	F _{st} (lb)	F _a (lb)	Force (lb)	
16	290.00	52.57	4.694	9.497	0.000	0.170	2.70	0.85	1.00	0.0	9.45	25.50	0.00	1274	0	1140	242	1382
15	270.00	52.37	3.833	9.497	0.000	0.160	2.74	0.85	1.00	0.0	8.71	23.82	0.00	1257	0	1060	428	1488
14	250.00	52.17	4.694	9.497	0.000	0.170	2.70	0.85	1.00	0.0	9.45	25.50	0.00	1308	0	1131	455	1586
13	230.00	51.94	3.833	9.497	0.000	0.160	2.74	0.85	1.00	0.0	8.71	23.82	0.00	1261	0	1051	453	1504
12	210.00	51.68	3.833	9.497	0.000	0.160	2.74	0.85	1.00	0.0	8.71	23.82	0.00	1269	0	1046	515	1562
11	190.00	51.37	4.694	9.497	0.000	0.170	2.70	0.85	1.00	0.0	9.45	25.50	0.00	1391	0	1114	725	1839
10	170.00	50.99	3.813	10.319	0.000	0.169	2.70	0.85	1.00	0.0	9.18	24.81	0.00	1918	0	1075	2370	3445
9	150.00	50.50	3.813	10.319	0.000	0.169	2.70	0.85	1.00	0.0	9.18	24.81	0.00	2016	0	1065	2805	3870
8	130.00	49.87	4.677	10.319	0.000	0.179	2.67	0.85	1.00	0.0	9.92	26.47	0.00	2087	0	1122	2912	4034
7	110.00	49.01	3.813	10.319	0.000	0.169	2.70	0.85	1.00	0.0	9.18	24.81	0.00	2065	0	1033	3025	4059
6	90.00	47.81	3.813	10.319	0.000	0.169	2.70	0.85	1.00	0.0	9.18	24.81	0.00	2066	0	1008	2959	3967
5	70.00	46.08	3.813	10.319	0.000	0.169	2.70	0.85	1.00	0.0	9.18	24.81	0.00	2080	0	972	2958	3929
4	50.00	43.45	4.677	10.319	0.000	0.179	2.67	0.85	1.00	0.0	9.92	26.47	0.00	2128	0	978	2789	3766
3	30.00	39.08	3.813	10.319	0.000	0.169	2.70	0.85	1.00	0.0	9.18	24.81	0.00	2080	0	824	2508	3332
2	12.00	40.57	3.177	8.250	0.000	0.171	2.70	0.85	1.00	0.0	7.45	20.09	0.00	1654	0	693	2014	2707
1	2.00	41.48	2.561	1.732	0.000	0.491	1.91	0.85	1.00	0.0	3.35	6.42	0.00	515	0	226	213	439
														26369	0			42909

LoadCase 1.2D + 1.0Di + 1.0Wi Normal

50 mph Normal with 1.00 in Radial Ice

Gust Response Factor (Gh): 0.85

Ice Dead Load Factor :1.00

Ice Importance Factor : 1.00

Wind Importance Factor (Iw) : 1.00

Section Elev. (ft)	Q _z (psf)	A _f (sf)	A _r (sf)	Ice A _r (sf)	e	C _f	D _f	D _r	T _{iz} (in)	A _e (sf)	EPA _a (sf)	EPA _{bi} (sf)	Wt. (lb)	Ice Wt. (lb)	F _{st} (lb)	F _a (lb)	Force (lb)	
16	290.00	8.69	4.694	36.255	26.75	0.466	1.95	1.00	1.00	1.3	28.95	56.38	26.76	2788	1513	416	116	532
15	270.00	8.65	3.833	36.232	26.73	0.456	1.96	1.00	1.00	1.3	27.89	54.76	26.74	3067	1810	403	203	606
14	250.00	8.62	4.694	36.208	26.71	0.466	1.95	1.00	1.00	1.3	28.91	56.32	26.71	3089	1781	413	213	626
13	230.00	8.58	3.833	36.182	26.68	0.456	1.96	1.00	1.00	1.3	27.85	54.70	26.68	3105	1844	399	216	615
12	210.00	8.54	3.833	36.150	26.65	0.456	1.96	1.00	1.00	1.3	27.82	54.66	26.65	3211	1942	397	254	651
11	190.00	8.49	4.694	36.111	26.61	0.465	1.95	1.00	1.00	1.3	28.83	56.21	26.61	3628	2237	406	390	796
10	170.00	8.43	3.813	36.882	26.56	0.462	1.96	1.00	1.00	1.3	28.40	55.53	26.56	6038	4120	398	1000	1326
9	150.00	8.35	3.813	36.812	26.49	0.461	1.96	1.00	1.00	1.3	28.34	55.44	26.49	6637	4620	393	1166	1313
8	130.00	8.24	4.677	36.714	26.39	0.470	1.94	1.00	1.00	1.3	29.31	56.93	26.39	6835	4748	399	1210	1297
7	110.00	8.10	3.813	36.574	26.25	0.458	1.96	1.00	1.00	1.3	28.14	55.16	26.25	7104	5039	380	1308	1274
6	90.00	7.90	3.813	36.368	26.04	0.456	1.96	1.00	1.00	1.3	27.96	54.91	26.05	7062	4996	369	1280	1242
5	70.00	7.61	3.813	36.056	25.73	0.453	1.97	1.00	1.00	1.3	27.70	54.53	25.74	7099	5019	353	1266	1196
4	50.00	7.18	4.677	35.555	25.23	0.457	1.96	1.00	1.00	1.3	28.31	55.54	25.24	6942	4814	339	1169	1127
3	30.00	6.46	3.813	34.622	24.30	0.438	1.99	1.00	1.00	1.2	26.50	52.84	24.30	6694	4614	290	1063	1012
2	12.00	6.70	3.177	26.256	18.00	0.421	2.02	1.00	1.00	1.1	20.17	40.84	18.01	4851	3197	233	835	837
1	2.00	6.85	2.561	5.055	3.323	0.815	1.83	1.00	1.00	0.9	7.10	12.98	3.32	856	341	76	29	104
														79004	52634			14555

** = Section Force Exceeds Solidity Ratio Criteria

Site Number: 6310

Code:

ANSI/TIA-222-H

© 2007 - 2021 by ATC IP LLC. All rights reserved.

Site Name: FRANKLIN CT, CT

Engineering Number: 13626843_C3_03

3/24/2021 5:18:10 PM

Customer: AT&T MOBILITY

Section Forces

LoadCase 1.2D + 1.0Di + 1.0Wi 60 deg

50 mph 60 deg with 1.00 in Radial Ice

Gust Response Factor (Gh): 0.85

Ice Dead Load Factor :1.00

Ice Importance Factor :1.00

Wind Importance Factor (Iw) : 1.00

Section Elev. (ft)	Q _z (psf)	A _f (sf)	A _r (sf)	Ice A _r (sf)	e	C _f	D _f	D _r	T _{iz} (in)	A _e (sf)	EPA _a (sf)	EPA _{bi} (sf)	Wt. (lb)	Ice Wt. (lb)	F _{st} (lb)	F _a (lb)	Force (lb)
16 290.00	8.69	4.694	36.255	26.75	0.466	1.95	0.80	1.00	1.3	28.01	54.55	26.76	2788	1513	403	116	518
15 270.00	8.65	3.833	36.232	26.73	0.456	1.96	0.80	1.00	1.3	27.13	53.25	26.74	3067	1810	392	203	595
14 250.00	8.62	4.694	36.208	26.71	0.466	1.95	0.80	1.00	1.3	27.97	54.49	26.71	3089	1781	399	213	613
13 230.00	8.58	3.833	36.182	26.68	0.456	1.96	0.80	1.00	1.3	27.08	53.19	26.68	3105	1844	388	216	604
12 210.00	8.54	3.833	36.150	26.65	0.456	1.96	0.80	1.00	1.3	27.06	53.15	26.65	3211	1942	386	254	640
11 190.00	8.49	4.694	36.111	26.61	0.465	1.95	0.80	1.00	1.3	27.89	54.38	26.61	3628	2237	392	390	783
10 170.00	8.43	3.813	36.882	26.56	0.462	1.96	0.80	1.00	1.3	27.64	54.04	26.56	6038	4120	387	1000	1326 **
9 150.00	8.35	3.813	36.812	26.49	0.461	1.96	0.80	1.00	1.3	27.58	53.95	26.49	6637	4620	383	1166	1313 **
8 130.00	8.24	4.677	36.714	26.39	0.470	1.94	0.80	1.00	1.3	28.37	55.11	26.39	6835	4748	386	1210	1297 **
7 110.00	8.10	3.813	36.574	26.25	0.458	1.96	0.80	1.00	1.3	27.38	53.66	26.25	7104	5039	369	1308	1274 **
6 90.00	7.90	3.813	36.368	26.04	0.456	1.96	0.80	1.00	1.3	27.20	53.41	26.05	7062	4996	359	1280	1242 **
5 70.00	7.61	3.813	36.056	25.73	0.453	1.97	0.80	1.00	1.3	26.94	53.03	25.74	7099	5019	343	1266	1196 **
4 50.00	7.18	4.677	35.555	25.23	0.457	1.96	0.80	1.00	1.3	27.38	53.70	25.24	6942	4814	328	1169	1127 **
3 30.00	6.46	3.813	34.622	24.30	0.438	1.99	0.80	1.00	1.2	25.73	51.32	24.30	6694	4614	282	1063	1012 **
2 12.00	6.70	3.177	26.256	18.00	0.421	2.02	0.80	1.00	1.1	19.54	39.56	18.01	4851	3197	225	835	837 **
1 2.00	6.85	2.561	5.055	3.323	0.815	1.83	0.80	1.00	0.9	6.59	12.04	3.32	856	341	70	29	99
													79004	52634			14477

** = Section Force Exceeds Solidity Ratio Criteria

LoadCase 1.2D + 1.0Di + 1.0Wi 90 deg

50 mph 90 deg with 1.00 in Radial Ice

Gust Response Factor (Gh): 0.85

Ice Dead Load Factor :1.00

Ice Importance Factor :1.00

Wind Importance Factor (Iw) : 1.00

Section Elev. (ft)	Q _z (psf)	A _f (sf)	A _r (sf)	Ice A _r (sf)	e	C _f	D _f	D _r	T _{iz} (in)	A _e (sf)	EPA _a (sf)	EPA _{bi} (sf)	Wt. (lb)	Ice Wt. (lb)	F _{st} (lb)	F _a (lb)	Force (lb)
16 290.00	8.69	4.694	36.255	26.75	0.466	1.95	0.85	1.00	1.3	28.25	55.01	26.76	2788	1513	406	116	522
15 270.00	8.65	3.833	36.232	26.73	0.456	1.96	0.85	1.00	1.3	27.32	53.63	26.74	3067	1810	395	203	598
14 250.00	8.62	4.694	36.208	26.71	0.466	1.95	0.85	1.00	1.3	28.21	54.95	26.71	3089	1781	403	213	616
13 230.00	8.58	3.833	36.182	26.68	0.456	1.96	0.85	1.00	1.3	27.27	53.57	26.68	3105	1844	391	216	607
12 210.00	8.54	3.833	36.150	26.65	0.456	1.96	0.85	1.00	1.3	27.25	53.53	26.65	3211	1942	389	254	643
11 190.00	8.49	4.694	36.111	26.61	0.465	1.95	0.85	1.00	1.3	28.12	54.83	26.61	3628	2237	396	390	786
10 170.00	8.43	3.813	36.882	26.56	0.462	1.96	0.85	1.00	1.3	27.83	54.41	26.56	6038	4120	390	1000	1326 **
9 150.00	8.35	3.813	36.812	26.49	0.461	1.96	0.85	1.00	1.3	27.77	54.33	26.49	6637	4620	385	1166	1313 **
8 130.00	8.24	4.677	36.714	26.39	0.470	1.94	0.85	1.00	1.3	28.60	55.57	26.39	6835	4748	389	1210	1297 **
7 110.00	8.10	3.813	36.574	26.25	0.458	1.96	0.85	1.00	1.3	27.57	54.04	26.25	7104	5039	372	1308	1274 **
6 90.00	7.90	3.813	36.368	26.04	0.456	1.96	0.85	1.00	1.3	27.39	53.79	26.05	7062	4996	361	1280	1242 **
5 70.00	7.61	3.813	36.056	25.73	0.453	1.97	0.85	1.00	1.3	27.13	53.41	25.74	7099	5019	346	1266	1196 **
4 50.00	7.18	4.677	35.555	25.23	0.457	1.96	0.85	1.00	1.3	27.61	54.16	25.24	6942	4814	330	1169	1127 **
3 30.00	6.46	3.813	34.622	24.30	0.438	1.99	0.85	1.00	1.2	25.93	51.70	24.30	6694	4614	284	1063	1012 **
2 12.00	6.70	3.177	26.256	18.00	0.421	2.02	0.85	1.00	1.1	19.70	39.88	18.01	4851	3197	227	835	837 **
1 2.00	6.85	2.561	5.055	3.323	0.815	1.83	0.85	1.00	0.9	6.71	12.27	3.32	856	341	72	29	100
													79004	52634			14496

** = Section Force Exceeds Solidity Ratio Criteria

Site Number: 6310

Code:

ANSI/TIA-222-H

© 2007 - 2021 by ATC IP LLC. All rights reserved.

Site Name: FRANKLIN CT, CT

Engineering Number: 13626843_C3_03

3/24/2021 5:18:10 PM

Customer: AT&T MOBILITY

Section Forces

LoadCase 1.2D + 1.0Di + 1.0Wi 120 deg

50 mph 120 deg with 1.00 in Radial Ice

Gust Response Factor (Gh): 0.85

Ice Dead Load Factor :1.00

Ice Importance Factor :1.00

Wind Importance Factor (Iw) : 1.00

Table with 18 columns: Section Elev. (ft), Qz (psf), Af (sf), Ar (sf), Ice Ar (sf), e, Cf, Df, Dr, Tiz (in), Ae (sf), EPAa (sf), EPAai (sf), Wt. (lb), Ice Wt. (lb), Fst (lb), Fa (lb), Force (lb). Rows 1-16 with force values and asterisks for sections 10-16.

** = Section Force Exceeds Solidity Ratio Criteria

79004 52634

14555

LoadCase 1.2D + 1.0Di + 1.0Wi 180 deg

50 mph 180 deg with 1.00 in Radial Ice

Gust Response Factor (Gh): 0.85

Ice Dead Load Factor :1.00

Ice Importance Factor :1.00

Wind Importance Factor (Iw) : 1.00

Table with 18 columns: Section Elev. (ft), Qz (psf), Af (sf), Ar (sf), Ice Ar (sf), e, Cf, Df, Dr, Tiz (in), Ae (sf), EPAa (sf), EPAai (sf), Wt. (lb), Ice Wt. (lb), Fst (lb), Fa (lb), Force (lb). Rows 1-16 with force values and asterisks for sections 10-16.

** = Section Force Exceeds Solidity Ratio Criteria

79004 52634

14477

Site Number: 6310
 Site Name: FRANKLIN CT, CT
 Customer: AT&T MOBILITY

Code: ANSI/TIA-222-H
 Engineering Number: 13626843_C3_03

© 2007 - 2021 by ATC IP LLC. All rights reserved.
 3/24/2021 5:18:10 PM

Section Forces

LoadCase 1.2D + 1.0Di + 1.0Wi 210 deg

50 mph 210 deg with 1.00 in Radial Ice

Gust Response Factor (Gh): 0.85 Ice Dead Load Factor :1.00 Ice Importance Factor :1.00
 Wind Importance Factor (Iw) : 1.00

Section Elev. (ft)	Q _z (psf)	A _f (sf)	A _r (sf)	Ice A _r (sf)	e	C _f	D _f	D _r	T _{iz} (in)	A _e (sf)	EPA _a (sf)	EPA _{bi} (sf)	Wt. (lb)	Ice Wt. (lb)	F _{st} (lb)	F _a (lb)	Force (lb)
16 290.00	8.69	4.694	36.255	26.75	0.466	1.95	0.85	1.00	1.3	28.25	55.01	26.76	2788	1513	406	116	522
15 270.00	8.65	3.833	36.232	26.73	0.456	1.96	0.85	1.00	1.3	27.32	53.63	26.74	3067	1810	395	203	598
14 250.00	8.62	4.694	36.208	26.71	0.466	1.95	0.85	1.00	1.3	28.21	54.95	26.71	3089	1781	403	213	616
13 230.00	8.58	3.833	36.182	26.68	0.456	1.96	0.85	1.00	1.3	27.27	53.57	26.68	3105	1844	391	216	607
12 210.00	8.54	3.833	36.150	26.65	0.456	1.96	0.85	1.00	1.3	27.25	53.53	26.65	3211	1942	389	254	643
11 190.00	8.49	4.694	36.111	26.61	0.465	1.95	0.85	1.00	1.3	28.12	54.83	26.61	3628	2237	396	390	786
10 170.00	8.43	3.813	36.882	26.56	0.462	1.96	0.85	1.00	1.3	27.83	54.41	26.56	6038	4120	390	1000	1326 **
9 150.00	8.35	3.813	36.812	26.49	0.461	1.96	0.85	1.00	1.3	27.77	54.33	26.49	6637	4620	385	1166	1313 **
8 130.00	8.24	4.677	36.714	26.39	0.470	1.94	0.85	1.00	1.3	28.60	55.57	26.39	6835	4748	389	1210	1297 **
7 110.00	8.10	3.813	36.574	26.25	0.458	1.96	0.85	1.00	1.3	27.57	54.04	26.25	7104	5039	372	1308	1274 **
6 90.00	7.90	3.813	36.368	26.04	0.456	1.96	0.85	1.00	1.3	27.39	53.79	26.05	7062	4996	361	1280	1242 **
5 70.00	7.61	3.813	36.056	25.73	0.453	1.97	0.85	1.00	1.3	27.13	53.41	25.74	7099	5019	346	1266	1196 **
4 50.00	7.18	4.677	35.555	25.23	0.457	1.96	0.85	1.00	1.3	27.61	54.16	25.24	6942	4814	330	1169	1127 **
3 30.00	6.46	3.813	34.622	24.30	0.438	1.99	0.85	1.00	1.2	25.93	51.70	24.30	6694	4614	284	1063	1012 **
2 12.00	6.70	3.177	26.256	18.00	0.421	2.02	0.85	1.00	1.1	19.70	39.88	18.01	4851	3197	227	835	837 **
1 2.00	6.85	2.561	5.055	3.323	0.815	1.83	0.85	1.00	0.9	6.71	12.27	3.32	856	341	72	29	100
													79004	52634			14496

** = Section Force Exceeds Solidity Ratio Criteria

LoadCase 1.2D + 1.0Di + 1.0Wi 240 deg

50 mph 240 deg with 1.00 in Radial Ice

Gust Response Factor (Gh): 0.85 Ice Dead Load Factor :1.00 Ice Importance Factor :1.00
 Wind Importance Factor (Iw) : 1.00

Section Elev. (ft)	Q _z (psf)	A _f (sf)	A _r (sf)	Ice A _r (sf)	e	C _f	D _f	D _r	T _{iz} (in)	A _e (sf)	EPA _a (sf)	EPA _{bi} (sf)	Wt. (lb)	Ice Wt. (lb)	F _{st} (lb)	F _a (lb)	Force (lb)
16 290.00	8.69	4.694	36.255	26.75	0.466	1.95	1.00	1.00	1.3	28.95	56.38	26.76	2788	1513	416	116	532
15 270.00	8.65	3.833	36.232	26.73	0.456	1.96	1.00	1.00	1.3	27.89	54.76	26.74	3067	1810	403	203	606
14 250.00	8.62	4.694	36.208	26.71	0.466	1.95	1.00	1.00	1.3	28.91	56.32	26.71	3089	1781	413	213	626
13 230.00	8.58	3.833	36.182	26.68	0.456	1.96	1.00	1.00	1.3	27.85	54.70	26.68	3105	1844	399	216	615
12 210.00	8.54	3.833	36.150	26.65	0.456	1.96	1.00	1.00	1.3	27.82	54.66	26.65	3211	1942	397	254	651
11 190.00	8.49	4.694	36.111	26.61	0.465	1.95	1.00	1.00	1.3	28.83	56.21	26.61	3628	2237	406	390	796
10 170.00	8.43	3.813	36.882	26.56	0.462	1.96	1.00	1.00	1.3	28.40	55.53	26.56	6038	4120	398	1000	1326 **
9 150.00	8.35	3.813	36.812	26.49	0.461	1.96	1.00	1.00	1.3	28.34	55.44	26.49	6637	4620	393	1166	1313 **
8 130.00	8.24	4.677	36.714	26.39	0.470	1.94	1.00	1.00	1.3	29.31	56.93	26.39	6835	4748	399	1210	1297 **
7 110.00	8.10	3.813	36.574	26.25	0.458	1.96	1.00	1.00	1.3	28.14	55.16	26.25	7104	5039	380	1308	1274 **
6 90.00	7.90	3.813	36.368	26.04	0.456	1.96	1.00	1.00	1.3	27.96	54.91	26.05	7062	4996	369	1280	1242 **
5 70.00	7.61	3.813	36.056	25.73	0.453	1.97	1.00	1.00	1.3	27.70	54.53	25.74	7099	5019	353	1266	1196 **
4 50.00	7.18	4.677	35.555	25.23	0.457	1.96	1.00	1.00	1.3	28.31	55.54	25.24	6942	4814	339	1169	1127 **
3 30.00	6.46	3.813	34.622	24.30	0.438	1.99	1.00	1.00	1.2	26.50	52.84	24.30	6694	4614	290	1063	1012 **
2 12.00	6.70	3.177	26.256	18.00	0.421	2.02	1.00	1.00	1.1	20.17	40.84	18.01	4851	3197	233	835	837 **
1 2.00	6.85	2.561	5.055	3.323	0.815	1.83	1.00	1.00	0.9	7.10	12.98	3.32	856	341	76	29	104
													79004	52634			14555

** = Section Force Exceeds Solidity Ratio Criteria

Site Number: 6310

Code:

ANSI/TIA-222-H

© 2007 - 2021 by ATC IP LLC. All rights reserved.

Site Name: FRANKLIN CT, CT

Engineering Number: 13626843_C3_03

3/24/2021 5:18:10 PM

Customer: AT&T MOBILITY

Section Forces

LoadCase 1.2D + 1.0Di + 1.0Wi 300 deg

50 mph 300 deg with 1.00 in Radial Ice

Gust Response Factor (Gh): 0.85

Ice Dead Load Factor :1.00

Ice Importance Factor :1.00

Wind Importance Factor (Iw) : 1.00

Section Elev. (ft)	Q _z (psf)	A _f (sf)	A _r (sf)	Ice A _r (sf)	e	C _f	D _f	D _r	T _{iz} (in)	A _e (sf)	EPA _a (sf)	EPA _{bi} (sf)	Wt. (lb)	Ice Wt. (lb)	F _{st} (lb)	F _a (lb)	Force (lb)
16 290.00	8.69	4.694	36.255	26.75	0.466	1.95	0.80	1.00	1.3	28.01	54.55	26.76	2788	1513	403	116	518
15 270.00	8.65	3.833	36.232	26.73	0.456	1.96	0.80	1.00	1.3	27.13	53.25	26.74	3067	1810	392	203	595
14 250.00	8.62	4.694	36.208	26.71	0.466	1.95	0.80	1.00	1.3	27.97	54.49	26.71	3089	1781	399	213	613
13 230.00	8.58	3.833	36.182	26.68	0.456	1.96	0.80	1.00	1.3	27.08	53.19	26.68	3105	1844	388	216	604
12 210.00	8.54	3.833	36.150	26.65	0.456	1.96	0.80	1.00	1.3	27.06	53.15	26.65	3211	1942	386	254	640
11 190.00	8.49	4.694	36.111	26.61	0.465	1.95	0.80	1.00	1.3	27.89	54.38	26.61	3628	2237	392	390	783
10 170.00	8.43	3.813	36.882	26.56	0.462	1.96	0.80	1.00	1.3	27.64	54.04	26.56	6038	4120	387	1000	1326 **
9 150.00	8.35	3.813	36.812	26.49	0.461	1.96	0.80	1.00	1.3	27.58	53.95	26.49	6637	4620	383	1166	1313 **
8 130.00	8.24	4.677	36.714	26.39	0.470	1.94	0.80	1.00	1.3	28.37	55.11	26.39	6835	4748	386	1210	1297 **
7 110.00	8.10	3.813	36.574	26.25	0.458	1.96	0.80	1.00	1.3	27.38	53.66	26.25	7104	5039	369	1308	1274 **
6 90.00	7.90	3.813	36.368	26.04	0.456	1.96	0.80	1.00	1.3	27.20	53.41	26.05	7062	4996	359	1280	1242 **
5 70.00	7.61	3.813	36.056	25.73	0.453	1.97	0.80	1.00	1.3	26.94	53.03	25.74	7099	5019	343	1266	1196 **
4 50.00	7.18	4.677	35.555	25.23	0.457	1.96	0.80	1.00	1.3	27.38	53.70	25.24	6942	4814	328	1169	1127 **
3 30.00	6.46	3.813	34.622	24.30	0.438	1.99	0.80	1.00	1.2	25.73	51.32	24.30	6694	4614	282	1063	1012 **
2 12.00	6.70	3.177	26.256	18.00	0.421	2.02	0.80	1.00	1.1	19.54	39.56	18.01	4851	3197	225	835	837 **
1 2.00	6.85	2.561	5.055	3.323	0.815	1.83	0.80	1.00	0.9	6.59	12.04	3.32	856	341	70	29	99
													79004	52634			14477

** = Section Force Exceeds Solidity Ratio Criteria

LoadCase 1.2D + 1.0Di + 1.0Wi 330 deg

50 mph 330 deg with 1.00 in Radial Ice

Gust Response Factor (Gh): 0.85

Ice Dead Load Factor :1.00

Ice Importance Factor :1.00

Wind Importance Factor (Iw) : 1.00

Section Elev. (ft)	Q _z (psf)	A _f (sf)	A _r (sf)	Ice A _r (sf)	e	C _f	D _f	D _r	T _{iz} (in)	A _e (sf)	EPA _a (sf)	EPA _{bi} (sf)	Wt. (lb)	Ice Wt. (lb)	F _{st} (lb)	F _a (lb)	Force (lb)
16 290.00	8.69	4.694	36.255	26.75	0.466	1.95	0.85	1.00	1.3	28.25	55.01	26.76	2788	1513	406	116	522
15 270.00	8.65	3.833	36.232	26.73	0.456	1.96	0.85	1.00	1.3	27.32	53.63	26.74	3067	1810	395	203	598
14 250.00	8.62	4.694	36.208	26.71	0.466	1.95	0.85	1.00	1.3	28.21	54.95	26.71	3089	1781	403	213	616
13 230.00	8.58	3.833	36.182	26.68	0.456	1.96	0.85	1.00	1.3	27.27	53.57	26.68	3105	1844	391	216	607
12 210.00	8.54	3.833	36.150	26.65	0.456	1.96	0.85	1.00	1.3	27.25	53.53	26.65	3211	1942	389	254	643
11 190.00	8.49	4.694	36.111	26.61	0.465	1.95	0.85	1.00	1.3	28.12	54.83	26.61	3628	2237	396	390	786
10 170.00	8.43	3.813	36.882	26.56	0.462	1.96	0.85	1.00	1.3	27.83	54.41	26.56	6038	4120	390	1000	1326 **
9 150.00	8.35	3.813	36.812	26.49	0.461	1.96	0.85	1.00	1.3	27.77	54.33	26.49	6637	4620	385	1166	1313 **
8 130.00	8.24	4.677	36.714	26.39	0.470	1.94	0.85	1.00	1.3	28.60	55.57	26.39	6835	4748	389	1210	1297 **
7 110.00	8.10	3.813	36.574	26.25	0.458	1.96	0.85	1.00	1.3	27.57	54.04	26.25	7104	5039	372	1308	1274 **
6 90.00	7.90	3.813	36.368	26.04	0.456	1.96	0.85	1.00	1.3	27.39	53.79	26.05	7062	4996	361	1280	1242 **
5 70.00	7.61	3.813	36.056	25.73	0.453	1.97	0.85	1.00	1.3	27.13	53.41	25.74	7099	5019	346	1266	1196 **
4 50.00	7.18	4.677	35.555	25.23	0.457	1.96	0.85	1.00	1.3	27.61	54.16	25.24	6942	4814	330	1169	1127 **
3 30.00	6.46	3.813	34.622	24.30	0.438	1.99	0.85	1.00	1.2	25.93	51.70	24.30	6694	4614	284	1063	1012 **
2 12.00	6.70	3.177	26.256	18.00	0.421	2.02	0.85	1.00	1.1	19.70	39.88	18.01	4851	3197	227	835	837 **
1 2.00	6.85	2.561	5.055	3.323	0.815	1.83	0.85	1.00	0.9	6.71	12.27	3.32	856	341	72	29	100
													79004	52634			14496

** = Section Force Exceeds Solidity Ratio Criteria

Site Number: 6310

Code: ANSI/TIA-222-H

© 2007 - 2021 by ATC IP LLC. All rights reserved.

Site Name: FRANKLIN CT, CT

Engineering Number: 13626843_C3_03

3/24/2021 5:18:10 PM

Customer: AT&T MOBILITY

Section Forces

LoadCase 1.0D + 1.0W Service Normal

Serviceability - 60 mph Wind Normal

Gust Response Factor (Gh): 0.85

Wind Importance Factor (Iw) : 1.00

Section Elev. (ft)	Q _z (psf)	A _f (sf)	A _r (sf)	Ice A _r (sf)	e	C _f	D _f	D _r	T _{iz} (in)	A _e (sf)	EPA _a (sf)	EPA _{bi} (sf)	Wt. (lb)	Ice Wt. (lb)	F _{st} (lb)	F _a (lb)	Force (lb)	
16	290.00	12.51	4.694	9.497	0.000	0.170	2.70	1.00	1.00	0.0	10.16	27.40	0.00	1062	0	291	58	349
15	270.00	12.46	3.833	9.497	0.000	0.160	2.74	1.00	1.00	0.0	9.28	25.39	0.00	1047	0	269	102	371
14	250.00	12.41	4.694	9.497	0.000	0.170	2.70	1.00	1.00	0.0	10.16	27.40	0.00	1090	0	289	108	397
13	230.00	12.36	3.833	9.497	0.000	0.160	2.74	1.00	1.00	0.0	9.28	25.39	0.00	1051	0	267	108	374
12	210.00	12.30	3.833	9.497	0.000	0.160	2.74	1.00	1.00	0.0	9.28	25.39	0.00	1058	0	265	123	388
11	190.00	12.22	4.694	9.497	0.000	0.170	2.70	1.00	1.00	0.0	10.16	27.40	0.00	1159	0	285	173	457
10	170.00	12.13	3.813	10.319	0.000	0.169	2.70	1.00	1.00	0.0	9.75	26.35	0.00	1598	0	272	564	836
9	150.00	12.02	3.813	10.319	0.000	0.169	2.70	1.00	1.00	0.0	9.75	26.35	0.00	1680	0	269	667	937
8	130.00	11.87	4.677	10.319	0.000	0.179	2.67	1.00	1.00	0.0	10.63	28.35	0.00	1739	0	286	693	979
7	110.00	11.66	3.813	10.319	0.000	0.169	2.70	1.00	1.00	0.0	9.75	26.35	0.00	1721	0	261	720	981
6	90.00	11.38	3.813	10.319	0.000	0.169	2.70	1.00	1.00	0.0	9.75	26.35	0.00	1722	0	255	704	959
5	70.00	10.96	3.813	10.319	0.000	0.169	2.70	1.00	1.00	0.0	9.75	26.35	0.00	1733	0	246	704	949
4	50.00	10.34	4.677	10.319	0.000	0.179	2.67	1.00	1.00	0.0	10.63	28.35	0.00	1773	0	249	664	913
3	30.00	9.30	3.813	10.319	0.000	0.169	2.70	1.00	1.00	0.0	9.75	26.35	0.00	1733	0	208	597	805
2	12.00	9.65	3.177	8.250	0.000	0.171	2.70	1.00	1.00	0.0	7.92	21.37	0.00	1378	0	175	479	655
1	2.00	9.87	2.561	1.732	0.000	0.491	1.91	1.00	1.00	0.0	3.74	7.15	0.00	429	0	60	51	111
														21974	0			10461

** = Section Force Exceeds Solidity Ratio Criteria

LoadCase 1.0D + 1.0W Service 60 deg

Serviceability - 60 mph Wind 60 deg

Gust Response Factor (Gh): 0.85

Wind Importance Factor (Iw) : 1.00

Section Elev. (ft)	Q _z (psf)	A _f (sf)	A _r (sf)	Ice A _r (sf)	e	C _f	D _f	D _r	T _{iz} (in)	A _e (sf)	EPA _a (sf)	EPA _{bi} (sf)	Wt. (lb)	Ice Wt. (lb)	F _{st} (lb)	F _a (lb)	Force (lb)	
16	290.00	12.51	4.694	9.497	0.000	0.170	2.70	0.80	1.00	0.0	9.22	24.87	0.00	1062	0	264	58	322
15	270.00	12.46	3.833	9.497	0.000	0.160	2.74	0.80	1.00	0.0	8.52	23.29	0.00	1047	0	247	102	349
14	250.00	12.41	4.694	9.497	0.000	0.170	2.70	0.80	1.00	0.0	9.22	24.87	0.00	1090	0	262	108	371
13	230.00	12.36	3.833	9.497	0.000	0.160	2.74	0.80	1.00	0.0	8.52	23.29	0.00	1051	0	245	108	352
12	210.00	12.30	3.833	9.497	0.000	0.160	2.74	0.80	1.00	0.0	8.52	23.29	0.00	1058	0	243	123	366
11	190.00	12.22	4.694	9.497	0.000	0.170	2.70	0.80	1.00	0.0	9.22	24.87	0.00	1159	0	258	173	431
10	170.00	12.13	3.813	10.319	0.000	0.169	2.70	0.80	1.00	0.0	8.98	24.29	0.00	1598	0	251	564	814
9	150.00	12.02	3.813	10.319	0.000	0.169	2.70	0.80	1.00	0.0	8.98	24.29	0.00	1680	0	248	667	916
8	130.00	11.87	4.677	10.319	0.000	0.179	2.67	0.80	1.00	0.0	9.69	25.85	0.00	1739	0	261	693	954
7	110.00	11.66	3.813	10.319	0.000	0.169	2.70	0.80	1.00	0.0	8.98	24.29	0.00	1721	0	241	720	961
6	90.00	11.38	3.813	10.319	0.000	0.169	2.70	0.80	1.00	0.0	8.98	24.29	0.00	1722	0	235	704	939
5	70.00	10.96	3.813	10.319	0.000	0.169	2.70	0.80	1.00	0.0	8.98	24.29	0.00	1733	0	226	704	930
4	50.00	10.34	4.677	10.319	0.000	0.179	2.67	0.80	1.00	0.0	9.69	25.85	0.00	1773	0	227	664	891
3	30.00	9.30	3.813	10.319	0.000	0.169	2.70	0.80	1.00	0.0	8.98	24.29	0.00	1733	0	192	597	789
2	12.00	9.65	3.177	8.250	0.000	0.171	2.70	0.80	1.00	0.0	7.29	19.66	0.00	1378	0	161	479	641
1	2.00	9.87	2.561	1.732	0.000	0.491	1.91	0.80	1.00	0.0	3.23	6.17	0.00	429	0	52	51	103
														21974	0			10127

** = Section Force Exceeds Solidity Ratio Criteria

Site Number: 6310

Code: ANSI/TIA-222-H

© 2007 - 2021 by ATC IP LLC. All rights reserved.

Site Name: FRANKLIN CT, CT

Engineering Number: 13626843_C3_03

3/24/2021 5:18:10 PM

Customer: AT&T MOBILITY

Section Forces

LoadCase 1.0D + 1.0W Service 90 deg

Serviceability - 60 mph Wind 90 deg

Gust Response Factor (Gh): 0.85

Wind Importance Factor (Iw) : 1.00

Section Elev. (ft)	Q _z (psf)	A _f (sf)	A _r (sf)	Ice A _r (sf)	e	C _f	D _f	D _r	T _{iz} (in)	A _e (sf)	EPA _a (sf)	EPA _{bi} (sf)	Wt. (lb)	Ice Wt. (lb)	F _{st} (lb)	F _a (lb)	Force (lb)
16 290.00	12.51	4.694	9.497	0.000	0.170	2.70	0.85	1.00	0.0	9.45	25.50	0.00	1062	0	271	58	329
15 270.00	12.46	3.833	9.497	0.000	0.160	2.74	0.85	1.00	0.0	8.71	23.82	0.00	1047	0	252	102	354
14 250.00	12.41	4.694	9.497	0.000	0.170	2.70	0.85	1.00	0.0	9.45	25.50	0.00	1090	0	269	108	377
13 230.00	12.36	3.833	9.497	0.000	0.160	2.74	0.85	1.00	0.0	8.71	23.82	0.00	1051	0	250	108	358
12 210.00	12.30	3.833	9.497	0.000	0.160	2.74	0.85	1.00	0.0	8.71	23.82	0.00	1058	0	249	123	372
11 190.00	12.22	4.694	9.497	0.000	0.170	2.70	0.85	1.00	0.0	9.45	25.50	0.00	1159	0	265	173	438
10 170.00	12.13	3.813	10.319	0.000	0.169	2.70	0.85	1.00	0.0	9.18	24.81	0.00	1598	0	256	564	820
9 150.00	12.02	3.813	10.319	0.000	0.169	2.70	0.85	1.00	0.0	9.18	24.81	0.00	1680	0	253	667	921
8 130.00	11.87	4.677	10.319	0.000	0.179	2.67	0.85	1.00	0.0	9.92	26.47	0.00	1739	0	267	693	960
7 110.00	11.66	3.813	10.319	0.000	0.169	2.70	0.85	1.00	0.0	9.18	24.81	0.00	1721	0	246	720	966
6 90.00	11.38	3.813	10.319	0.000	0.169	2.70	0.85	1.00	0.0	9.18	24.81	0.00	1722	0	240	704	944
5 70.00	10.96	3.813	10.319	0.000	0.169	2.70	0.85	1.00	0.0	9.18	24.81	0.00	1733	0	231	704	935
4 50.00	10.34	4.677	10.319	0.000	0.179	2.67	0.85	1.00	0.0	9.92	26.47	0.00	1773	0	233	664	896
3 30.00	9.30	3.813	10.319	0.000	0.169	2.70	0.85	1.00	0.0	9.18	24.81	0.00	1733	0	196	597	793
2 12.00	9.65	3.177	8.250	0.000	0.171	2.70	0.85	1.00	0.0	7.45	20.09	0.00	1378	0	165	479	644
1 2.00	9.87	2.561	1.732	0.000	0.491	1.91	0.85	1.00	0.0	3.35	6.42	0.00	429	0	54	51	105
													21974	0			10210

** = Section Force Exceeds Solidity Ratio Criteria

LoadCase 1.0D + 1.0W Service 120 deg

Serviceability - 60 mph Wind 120 deg

Gust Response Factor (Gh): 0.85

Wind Importance Factor (Iw) : 1.00

Section Elev. (ft)	Q _z (psf)	A _f (sf)	A _r (sf)	Ice A _r (sf)	e	C _f	D _f	D _r	T _{iz} (in)	A _e (sf)	EPA _a (sf)	EPA _{bi} (sf)	Wt. (lb)	Ice Wt. (lb)	F _{st} (lb)	F _a (lb)	Force (lb)
16 290.00	12.51	4.694	9.497	0.000	0.170	2.70	1.00	1.00	0.0	10.16	27.40	0.00	1062	0	291	58	349
15 270.00	12.46	3.833	9.497	0.000	0.160	2.74	1.00	1.00	0.0	9.28	25.39	0.00	1047	0	269	102	371
14 250.00	12.41	4.694	9.497	0.000	0.170	2.70	1.00	1.00	0.0	10.16	27.40	0.00	1090	0	289	108	397
13 230.00	12.36	3.833	9.497	0.000	0.160	2.74	1.00	1.00	0.0	9.28	25.39	0.00	1051	0	267	108	374
12 210.00	12.30	3.833	9.497	0.000	0.160	2.74	1.00	1.00	0.0	9.28	25.39	0.00	1058	0	265	123	388
11 190.00	12.22	4.694	9.497	0.000	0.170	2.70	1.00	1.00	0.0	10.16	27.40	0.00	1159	0	285	173	457
10 170.00	12.13	3.813	10.319	0.000	0.169	2.70	1.00	1.00	0.0	9.75	26.35	0.00	1598	0	272	564	836
9 150.00	12.02	3.813	10.319	0.000	0.169	2.70	1.00	1.00	0.0	9.75	26.35	0.00	1680	0	269	667	937
8 130.00	11.87	4.677	10.319	0.000	0.179	2.67	1.00	1.00	0.0	10.63	28.35	0.00	1739	0	286	693	979
7 110.00	11.66	3.813	10.319	0.000	0.169	2.70	1.00	1.00	0.0	9.75	26.35	0.00	1721	0	261	720	981
6 90.00	11.38	3.813	10.319	0.000	0.169	2.70	1.00	1.00	0.0	9.75	26.35	0.00	1722	0	255	704	959
5 70.00	10.96	3.813	10.319	0.000	0.169	2.70	1.00	1.00	0.0	9.75	26.35	0.00	1733	0	246	704	949
4 50.00	10.34	4.677	10.319	0.000	0.179	2.67	1.00	1.00	0.0	10.63	28.35	0.00	1773	0	249	664	913
3 30.00	9.30	3.813	10.319	0.000	0.169	2.70	1.00	1.00	0.0	9.75	26.35	0.00	1733	0	208	597	805
2 12.00	9.65	3.177	8.250	0.000	0.171	2.70	1.00	1.00	0.0	7.92	21.37	0.00	1378	0	175	479	655
1 2.00	9.87	2.561	1.732	0.000	0.491	1.91	1.00	1.00	0.0	3.74	7.15	0.00	429	0	60	51	111
													21974	0			10461

** = Section Force Exceeds Solidity Ratio Criteria

Section Forces

LoadCase 1.0D + 1.0W Service 180 deg

Serviceability - 60 mph Wind 180 deg

Gust Response Factor (Gh): 0.85

Wind Importance Factor (Iw) : 1.00

Section	Elev. (ft)	Q _z (psf)	A _f (sf)	A _r (sf)	Ice A _r (sf)	e	C _f	D _f	D _r	T _{iz} (in)	A _e (sf)	EPA _a (sf)	EPA _{bi} (sf)	Wt. (lb)	Ice Wt. (lb)	F _{st} (lb)	F _a (lb)	Force (lb)
16	290.00	12.51	4.694	9.497	0.000	0.170	2.70	0.80	1.00	0.0	9.22	24.87	0.00	1062	0	264	58	322
15	270.00	12.46	3.833	9.497	0.000	0.160	2.74	0.80	1.00	0.0	8.52	23.29	0.00	1047	0	247	102	349
14	250.00	12.41	4.694	9.497	0.000	0.170	2.70	0.80	1.00	0.0	9.22	24.87	0.00	1090	0	262	108	371
13	230.00	12.36	3.833	9.497	0.000	0.160	2.74	0.80	1.00	0.0	8.52	23.29	0.00	1051	0	245	108	352
12	210.00	12.30	3.833	9.497	0.000	0.160	2.74	0.80	1.00	0.0	8.52	23.29	0.00	1058	0	243	123	366
11	190.00	12.22	4.694	9.497	0.000	0.170	2.70	0.80	1.00	0.0	9.22	24.87	0.00	1159	0	258	173	431
10	170.00	12.13	3.813	10.319	0.000	0.169	2.70	0.80	1.00	0.0	8.98	24.29	0.00	1598	0	251	564	814
9	150.00	12.02	3.813	10.319	0.000	0.169	2.70	0.80	1.00	0.0	8.98	24.29	0.00	1680	0	248	667	916
8	130.00	11.87	4.677	10.319	0.000	0.179	2.67	0.80	1.00	0.0	9.69	25.85	0.00	1739	0	261	693	954
7	110.00	11.66	3.813	10.319	0.000	0.169	2.70	0.80	1.00	0.0	8.98	24.29	0.00	1721	0	241	720	961
6	90.00	11.38	3.813	10.319	0.000	0.169	2.70	0.80	1.00	0.0	8.98	24.29	0.00	1722	0	235	704	939
5	70.00	10.96	3.813	10.319	0.000	0.169	2.70	0.80	1.00	0.0	8.98	24.29	0.00	1733	0	226	704	930
4	50.00	10.34	4.677	10.319	0.000	0.179	2.67	0.80	1.00	0.0	9.69	25.85	0.00	1773	0	227	664	891
3	30.00	9.30	3.813	10.319	0.000	0.169	2.70	0.80	1.00	0.0	8.98	24.29	0.00	1733	0	192	597	789
2	12.00	9.65	3.177	8.250	0.000	0.171	2.70	0.80	1.00	0.0	7.29	19.66	0.00	1378	0	161	479	641
1	2.00	9.87	2.561	1.732	0.000	0.491	1.91	0.80	1.00	0.0	3.23	6.17	0.00	429	0	52	51	103
														21974	0			10127

** = Section Force Exceeds Solidity Ratio Criteria

LoadCase 1.0D + 1.0W Service 210 deg

Serviceability - 60 mph Wind 210 deg

Gust Response Factor (Gh): 0.85

Wind Importance Factor (Iw) : 1.00

Section	Elev. (ft)	Q _z (psf)	A _f (sf)	A _r (sf)	Ice A _r (sf)	e	C _f	D _f	D _r	T _{iz} (in)	A _e (sf)	EPA _a (sf)	EPA _{bi} (sf)	Wt. (lb)	Ice Wt. (lb)	F _{st} (lb)	F _a (lb)	Force (lb)
16	290.00	12.51	4.694	9.497	0.000	0.170	2.70	0.85	1.00	0.0	9.45	25.50	0.00	1062	0	271	58	329
15	270.00	12.46	3.833	9.497	0.000	0.160	2.74	0.85	1.00	0.0	8.71	23.82	0.00	1047	0	252	102	354
14	250.00	12.41	4.694	9.497	0.000	0.170	2.70	0.85	1.00	0.0	9.45	25.50	0.00	1090	0	269	108	377
13	230.00	12.36	3.833	9.497	0.000	0.160	2.74	0.85	1.00	0.0	8.71	23.82	0.00	1051	0	250	108	358
12	210.00	12.30	3.833	9.497	0.000	0.160	2.74	0.85	1.00	0.0	8.71	23.82	0.00	1058	0	249	123	372
11	190.00	12.22	4.694	9.497	0.000	0.170	2.70	0.85	1.00	0.0	9.45	25.50	0.00	1159	0	265	173	438
10	170.00	12.13	3.813	10.319	0.000	0.169	2.70	0.85	1.00	0.0	9.18	24.81	0.00	1598	0	256	564	820
9	150.00	12.02	3.813	10.319	0.000	0.169	2.70	0.85	1.00	0.0	9.18	24.81	0.00	1680	0	253	667	921
8	130.00	11.87	4.677	10.319	0.000	0.179	2.67	0.85	1.00	0.0	9.92	26.47	0.00	1739	0	267	693	960
7	110.00	11.66	3.813	10.319	0.000	0.169	2.70	0.85	1.00	0.0	9.18	24.81	0.00	1721	0	246	720	966
6	90.00	11.38	3.813	10.319	0.000	0.169	2.70	0.85	1.00	0.0	9.18	24.81	0.00	1722	0	240	704	944
5	70.00	10.96	3.813	10.319	0.000	0.169	2.70	0.85	1.00	0.0	9.18	24.81	0.00	1733	0	231	704	935
4	50.00	10.34	4.677	10.319	0.000	0.179	2.67	0.85	1.00	0.0	9.92	26.47	0.00	1773	0	233	664	896
3	30.00	9.30	3.813	10.319	0.000	0.169	2.70	0.85	1.00	0.0	9.18	24.81	0.00	1733	0	196	597	793
2	12.00	9.65	3.177	8.250	0.000	0.171	2.70	0.85	1.00	0.0	7.45	20.09	0.00	1378	0	165	479	644
1	2.00	9.87	2.561	1.732	0.000	0.491	1.91	0.85	1.00	0.0	3.35	6.42	0.00	429	0	54	51	105
														21974	0			10210

** = Section Force Exceeds Solidity Ratio Criteria

Site Number: 6310

Code:

ANSI/TIA-222-H

© 2007 - 2021 by ATC IP LLC. All rights reserved.

Site Name: FRANKLIN CT, CT

Engineering Number: 13626843_C3_03

3/24/2021 5:18:10 PM

Customer: AT&T MOBILITY

Section Forces

LoadCase 1.0D + 1.0W Service 240 deg

Serviceability - 60 mph Wind 240 deg

Gust Response Factor (Gh): 0.85

Wind Importance Factor (Iw) : 1.00

Section Elev. (ft)	Q _z (psf)	A _f (sf)	A _r (sf)	Ice A _r (sf)	e	C _f	D _f	D _r	T _{iz} (in)	A _e (sf)	EPA _a (sf)	EPA _{bi} (sf)	Wt. (lb)	Ice Wt. (lb)	F _{st} (lb)	F _a (lb)	Force (lb)	
16	290.00	12.51	4.694	9.497	0.000	0.170	2.70	1.00	1.00	0.0	10.16	27.40	0.00	1062	0	291	58	349
15	270.00	12.46	3.833	9.497	0.000	0.160	2.74	1.00	1.00	0.0	9.28	25.39	0.00	1047	0	269	102	371
14	250.00	12.41	4.694	9.497	0.000	0.170	2.70	1.00	1.00	0.0	10.16	27.40	0.00	1090	0	289	108	397
13	230.00	12.36	3.833	9.497	0.000	0.160	2.74	1.00	1.00	0.0	9.28	25.39	0.00	1051	0	267	108	374
12	210.00	12.30	3.833	9.497	0.000	0.160	2.74	1.00	1.00	0.0	9.28	25.39	0.00	1058	0	265	123	388
11	190.00	12.22	4.694	9.497	0.000	0.170	2.70	1.00	1.00	0.0	10.16	27.40	0.00	1159	0	285	173	457
10	170.00	12.13	3.813	10.319	0.000	0.169	2.70	1.00	1.00	0.0	9.75	26.35	0.00	1598	0	272	564	836
9	150.00	12.02	3.813	10.319	0.000	0.169	2.70	1.00	1.00	0.0	9.75	26.35	0.00	1680	0	269	667	937
8	130.00	11.87	4.677	10.319	0.000	0.179	2.67	1.00	1.00	0.0	10.63	28.35	0.00	1739	0	286	693	979
7	110.00	11.66	3.813	10.319	0.000	0.169	2.70	1.00	1.00	0.0	9.75	26.35	0.00	1721	0	261	720	981
6	90.00	11.38	3.813	10.319	0.000	0.169	2.70	1.00	1.00	0.0	9.75	26.35	0.00	1722	0	255	704	959
5	70.00	10.96	3.813	10.319	0.000	0.169	2.70	1.00	1.00	0.0	9.75	26.35	0.00	1733	0	246	704	949
4	50.00	10.34	4.677	10.319	0.000	0.179	2.67	1.00	1.00	0.0	10.63	28.35	0.00	1773	0	249	664	913
3	30.00	9.30	3.813	10.319	0.000	0.169	2.70	1.00	1.00	0.0	9.75	26.35	0.00	1733	0	208	597	805
2	12.00	9.65	3.177	8.250	0.000	0.171	2.70	1.00	1.00	0.0	7.92	21.37	0.00	1378	0	175	479	655
1	2.00	9.87	2.561	1.732	0.000	0.491	1.91	1.00	1.00	0.0	3.74	7.15	0.00	429	0	60	51	111
														21974	0			10461

** = Section Force Exceeds Solidity Ratio Criteria

LoadCase 1.0D + 1.0W Service 300 deg

Serviceability - 60 mph Wind 300 deg

Gust Response Factor (Gh): 0.85

Wind Importance Factor (Iw) : 1.00

Section Elev. (ft)	Q _z (psf)	A _f (sf)	A _r (sf)	Ice A _r (sf)	e	C _f	D _f	D _r	T _{iz} (in)	A _e (sf)	EPA _a (sf)	EPA _{bi} (sf)	Wt. (lb)	Ice Wt. (lb)	F _{st} (lb)	F _a (lb)	Force (lb)	
16	290.00	12.51	4.694	9.497	0.000	0.170	2.70	0.80	1.00	0.0	9.22	24.87	0.00	1062	0	264	58	322
15	270.00	12.46	3.833	9.497	0.000	0.160	2.74	0.80	1.00	0.0	8.52	23.29	0.00	1047	0	247	102	349
14	250.00	12.41	4.694	9.497	0.000	0.170	2.70	0.80	1.00	0.0	9.22	24.87	0.00	1090	0	262	108	371
13	230.00	12.36	3.833	9.497	0.000	0.160	2.74	0.80	1.00	0.0	8.52	23.29	0.00	1051	0	245	108	352
12	210.00	12.30	3.833	9.497	0.000	0.160	2.74	0.80	1.00	0.0	8.52	23.29	0.00	1058	0	243	123	366
11	190.00	12.22	4.694	9.497	0.000	0.170	2.70	0.80	1.00	0.0	9.22	24.87	0.00	1159	0	258	173	431
10	170.00	12.13	3.813	10.319	0.000	0.169	2.70	0.80	1.00	0.0	8.98	24.29	0.00	1598	0	251	564	814
9	150.00	12.02	3.813	10.319	0.000	0.169	2.70	0.80	1.00	0.0	8.98	24.29	0.00	1680	0	248	667	916
8	130.00	11.87	4.677	10.319	0.000	0.179	2.67	0.80	1.00	0.0	9.69	25.85	0.00	1739	0	261	693	954
7	110.00	11.66	3.813	10.319	0.000	0.169	2.70	0.80	1.00	0.0	8.98	24.29	0.00	1721	0	241	720	961
6	90.00	11.38	3.813	10.319	0.000	0.169	2.70	0.80	1.00	0.0	8.98	24.29	0.00	1722	0	235	704	939
5	70.00	10.96	3.813	10.319	0.000	0.169	2.70	0.80	1.00	0.0	8.98	24.29	0.00	1733	0	226	704	930
4	50.00	10.34	4.677	10.319	0.000	0.179	2.67	0.80	1.00	0.0	9.69	25.85	0.00	1773	0	227	664	891
3	30.00	9.30	3.813	10.319	0.000	0.169	2.70	0.80	1.00	0.0	8.98	24.29	0.00	1733	0	192	597	789
2	12.00	9.65	3.177	8.250	0.000	0.171	2.70	0.80	1.00	0.0	7.29	19.66	0.00	1378	0	161	479	641
1	2.00	9.87	2.561	1.732	0.000	0.491	1.91	0.80	1.00	0.0	3.23	6.17	0.00	429	0	52	51	103
														21974	0			10127

** = Section Force Exceeds Solidity Ratio Criteria

Site Number: 6310

Code: ANSI/TIA-222-H

© 2007 - 2021 by ATC IP LLC. All rights reserved.

Site Name: FRANKLIN CT, CT

Engineering Number: 13626843_C3_03

3/24/2021 5:18:10 PM

Customer: AT&T MOBILITY

Section Forces

LoadCase 1.0D + 1.0W Service 330 deg

Serviceability - 60 mph Wind 330 deg

Gust Response Factor (Gh): 0.85

Wind Importance Factor (Iw) : 1.00

Section	Elev. (ft)	Q _z (psf)	A _f (sf)	A _r (sf)	Ice A _r (sf)	e	C _f	D _f	D _r	T _{iz} (in)	A _e (sf)	EPA _e (sf)	EPA _{bi} (sf)	Wt. (lb)	Ice Wt. (lb)	F _{st} (lb)	F _a (lb)	Force (lb)	
16	290.00	12.51	4.694	9.497	0.000	0.170	2.70	0.85	1.00	0.0	9.45	25.50	0.00	1062	0	271	58	329	
15	270.00	12.46	3.833	9.497	0.000	0.160	2.74	0.85	1.00	0.0	8.71	23.82	0.00	1047	0	252	102	354	
14	250.00	12.41	4.694	9.497	0.000	0.170	2.70	0.85	1.00	0.0	9.45	25.50	0.00	1090	0	269	108	377	
13	230.00	12.36	3.833	9.497	0.000	0.160	2.74	0.85	1.00	0.0	8.71	23.82	0.00	1051	0	250	108	358	
12	210.00	12.30	3.833	9.497	0.000	0.160	2.74	0.85	1.00	0.0	8.71	23.82	0.00	1058	0	249	123	372	
11	190.00	12.22	4.694	9.497	0.000	0.170	2.70	0.85	1.00	0.0	9.45	25.50	0.00	1159	0	265	173	438	
10	170.00	12.13	3.813	10.319	0.000	0.169	2.70	0.85	1.00	0.0	9.18	24.81	0.00	1598	0	256	564	820	
9	150.00	12.02	3.813	10.319	0.000	0.169	2.70	0.85	1.00	0.0	9.18	24.81	0.00	1680	0	253	667	921	
8	130.00	11.87	4.677	10.319	0.000	0.179	2.67	0.85	1.00	0.0	9.92	26.47	0.00	1739	0	267	693	960	
7	110.00	11.66	3.813	10.319	0.000	0.169	2.70	0.85	1.00	0.0	9.18	24.81	0.00	1721	0	246	720	966	
6	90.00	11.38	3.813	10.319	0.000	0.169	2.70	0.85	1.00	0.0	9.18	24.81	0.00	1722	0	240	704	944	
5	70.00	10.96	3.813	10.319	0.000	0.169	2.70	0.85	1.00	0.0	9.18	24.81	0.00	1733	0	231	704	935	
4	50.00	10.34	4.677	10.319	0.000	0.179	2.67	0.85	1.00	0.0	9.92	26.47	0.00	1773	0	233	664	896	
3	30.00	9.30	3.813	10.319	0.000	0.169	2.70	0.85	1.00	0.0	9.18	24.81	0.00	1733	0	196	597	793	
2	12.00	9.65	3.177	8.250	0.000	0.171	2.70	0.85	1.00	0.0	7.45	20.09	0.00	1378	0	165	479	644	
1	2.00	9.87	2.561	1.732	0.000	0.491	1.91	0.85	1.00	0.0	3.35	6.42	0.00	429	0	54	51	105	
															21974	0			10210

** = Section Force Exceeds Solidity Ratio Criteria

Site Number: 6310
 Site Name: FRANKLIN CT, CT
 Customer: AT&T MOBILITY

Code: ANSI/TIA-222-H
 Engineering Number: 13626843_C3_03

© 2007 - 2021 by ATC IP LLC. All rights reserved.
 3/24/2021 5:18:10 PM

Equivalent Lateral Force Method

Spectral Response Acceleration for Short Period (S_s): 0.19
 Spectral Response Acceleration at 1.0 Second Period (S_{d1}): 0.05
 Long-Period Transition Period (T_L - Seconds): 6
 Importance Factor (I_e): 1.00
 Site Coefficient F_a : 1.60
 Site Coefficient F_v : 2.40
 Response Modification Coefficient (R): 3.00
 Design Spectral Response Acceleration at Short Period (S_{ds}): 0.21
 Design Spectral Response Acceleration at 1.0 Second Period (S_{d1}): 0.09
 Seismic Response Coefficient (C_s): 0.03
 Upper Limit C_s : 0.03
 Lower Limit C_s : 0.03
 Period based on Rayleigh Method (sec): 0.83
 Redundancy Factor (p): 1.30
 Seismic Force Distribution Exponent (k): 1.17
 Total Unfactored Dead Load: 33.25 k
 Seismic Base Shear (E): 1.50 k

LoadCase 1.2D + 1.0Ev + 1.0Eh

Seismic

Section	Height Above Base (ft)	Weight (lb)	W_z (lb-ft)	C_{vx}	Horizontal Force (lb)	Vertical Force (lb)
16	290.00	1,062	790,669	0.067	100	1,319
15	270.00	1,047	717,457	0.061	91	1,300
14	250.00	1,090	682,728	0.058	86	1,354
13	230.00	1,051	596,961	0.050	75	1,305
12	210.00	1,058	540,393	0.046	68	1,313
11	190.00	1,159	526,861	0.044	67	1,439
10	170.00	1,598	638,321	0.054	81	1,985
9	150.00	1,680	579,894	0.049	73	2,086
8	130.00	1,739	507,930	0.043	64	2,159
7	110.00	1,721	413,649	0.035	52	2,137
6	90.00	1,722	327,475	0.028	41	2,138
5	70.00	1,733	245,952	0.021	31	2,152
4	50.00	1,773	169,915	0.014	21	2,201
3	30.00	1,733	91,555	0.008	12	2,152
2	12.00	1,378	24,999	0.002	3	1,711
1	2.00	429	963	0.000	0	533
Generic 10' Omni	300.00	25	19,364	0.002	2	31
Generic 20' Dipole	300.00	60	46,474	0.004	6	74
Generic 13' Omni	300.00	40	30,982	0.003	4	50
Generic 6' Yagi	300.00	25	19,364	0.002	2	31
Round Side Arm	294.00	450	340,435	0.029	43	559
Generic 18' Dipole	288.00	55	40,620	0.003	5	68
Generic 10' Dipole	277.00	30	21,173	0.002	3	37
Generic 8' Omni	276.00	25	17,570	0.001	2	31

Site Number: 6310

Code: ANSI/TIA-222-H

© 2007 - 2021 by ATC IP LLC. All rights reserved.

Site Name: FRANKLIN CT, CT

Engineering Number: 13626843_C3_03

3/24/2021 5:18:10 PM

Customer: AT&T MOBILITY

Equivalent Lateral Force Method

Generic 24" x 24" Junction Box	276.00	20	14,056	0.001	2	25
Generic 6' Omni	274.00	25	17,421	0.001	2	31
Round Side Arm	268.00	450	305,586	0.026	39	559
Generic 13' Omni	241.00	40	23,999	0.002	3	50
Round Side Arm	233.00	450	259,566	0.022	33	559
Generic 11' Omni	230.00	40	22,726	0.002	3	50
Generic 14' Omni	228.00	40	22,496	0.002	3	50
Decibel DB224	215.00	32	16,806	0.001	2	40
Andrew DB224	213.00	38	19,741	0.002	2	47
Side Arm	213.00	300	155,847	0.013	20	372
Generic 22' Dipole	213.00	66	34,286	0.003	4	82
Ericsson RRUS 8843 B2, B66A	196.00	216	101,836	0.009	13	268
Ericsson RRUS 4478 B14	196.00	180	84,722	0.007	11	223
Ericsson RRUS 4449 B5, B12	196.00	213	100,421	0.008	13	264
Ericsson AIR 6449 B77D	196.00	245	115,414	0.010	15	304
Raycap DC9-48-60-24-8C-EV	196.00	32	15,087	0.001	2	40
Sabre C10857001	196.00	1,386	653,447	0.055	83	1,721
CCI DMP65R-BU8D	196.00	287	135,357	0.011	17	356
CCI TPA65R-BU8D	196.00	248	116,687	0.010	15	307
Alcatel-Lucent RRH2x50-08	180.00	317	135,494	0.011	17	394
Alcatel-Lucent 1900 MHz 4X45 RRH	180.00	180	76,840	0.006	10	223
Decibel DB844H90E-XY	180.00	42	17,929	0.002	2	52
Alcatel-Lucent TD-RRH8x20-25 w/ Solar	180.00	210	89,646	0.008	11	261
RFS APXVTM14-ALU-I20	180.00	169	71,973	0.006	9	209
Commscope NNVV-65B-R4	180.00	232	99,123	0.008	13	288
Round Sector Frame	180.00	900	384,198	0.032	49	1,117
Flat Light Sector Frame	170.00	1,200	479,229	0.040	61	1,490
Commscope CBC78T-DS-43-2X	169.00	62	24,630	0.002	3	77
Samsung B5/B13 RRH-BR04C	169.00	211	83,647	0.007	11	262
Samsung B2/B66A RRH-BR049	169.00	253	100,424	0.008	13	314
RFS DB-T1-6Z-8AB-0Z	169.00	44	17,451	0.001	2	55
Commscope LNX-8513DS-A1M	169.00	118	46,642	0.004	6	146
Commscope JAHH-65B-R3B	169.00	364	144,211	0.012	18	451
Procom CXL 900-3LW	160.00	2	558	0.000	0	2
Generic 5" x 3" x 2" Cavity Filter	160.00	2	558	0.000	0	2
Generic Low Noise Amplifier	160.00	2	744	0.000	0	2
Flat Side Arm	160.00	150	55,814	0.005	7	186
Scala AP7-850/065	130.00	6	1,752	0.000	0	7
Generic 24" x 24" Junction Box	130.00	20	5,841	0.000	1	25
Round Side Arm	130.00	150	43,810	0.004	6	186
Flat Side Arm	125.00	450	125,553	0.011	16	559
Round Side Arm	115.00	150	37,973	0.003	5	186
Generic 20' Dipole	115.00	60	15,189	0.001	2	74
Round Side Arm	105.00	150	34,150	0.003	4	186
Generic 5' Yagi	105.00	20	4,553	0.000	1	25
Generic 2' x 4' Rectangular Grid Dish	105.00	40	9,107	0.001	1	50
Generic 6' Ice Shield	82.00	450	76,786	0.006	10	559
RFS PA6-65AC w/ Radome	80.00	308	51,064	0.004	6	382
		33,252	11,842,095	1.000	1,495	41,286

LoadCase 0.9D - 1.0Ev + 1.0Eh

Seismic (Reduced DL)

Section	Height Above Base (ft)	Weight (lb)	W _z (lb-ft)	C _{vx}	Horizontal Force (lb)	Vertical Force (lb)
---------	------------------------	-------------	------------------------	-----------------	-----------------------	---------------------

Site Number: 6310
 Site Name: FRANKLIN CT, CT
 Customer: AT&T MOBILITY

Code: ANSI/TIA-222-H
 Engineering Number: 13626843_C3_03

© 2007 - 2021 by ATC IP LLC. All rights reserved.

3/24/2021 5:18:10 PM

Equivalent Lateral Force Method

16	290.00	1,062	790,669	0.067	100	912
15	270.00	1,047	717,457	0.061	91	899
14	250.00	1,090	682,728	0.058	86	936
13	230.00	1,051	596,961	0.050	75	902
12	210.00	1,058	540,393	0.046	68	908
11	190.00	1,159	526,861	0.044	67	995
10	170.00	1,598	638,321	0.054	81	1,372
9	150.00	1,680	579,894	0.049	73	1,442
8	130.00	1,739	507,930	0.043	64	1,493
7	110.00	1,721	413,649	0.035	52	1,477
6	90.00	1,722	327,475	0.028	41	1,478
5	70.00	1,733	245,952	0.021	31	1,488
4	50.00	1,773	169,915	0.014	21	1,522
3	30.00	1,733	91,555	0.008	12	1,488
2	12.00	1,378	24,999	0.002	3	1,183
1	2.00	429	963	0.000	0	368
Generic 10' Omni	300.00	25	19,364	0.002	2	21
Generic 20' Dipole	300.00	60	46,474	0.004	6	52
Generic 13' Omni	300.00	40	30,982	0.003	4	34
Generic 6' Yagi	300.00	25	19,364	0.002	2	21
Round Side Arm	294.00	450	340,435	0.029	43	386
Generic 18' Dipole	288.00	55	40,620	0.003	5	47
Generic 10' Dipole	277.00	30	21,173	0.002	3	26
Generic 8' Omni	276.00	25	17,570	0.001	2	21
Generic 24" x 24" Junction Box	276.00	20	14,056	0.001	2	17
Generic 6' Omni	274.00	25	17,421	0.001	2	21
Round Side Arm	268.00	450	305,586	0.026	39	386
Generic 13' Omni	241.00	40	23,999	0.002	3	34
Round Side Arm	233.00	450	259,566	0.022	33	386
Generic 11' Omni	230.00	40	22,726	0.002	3	34
Generic 14' Omni	228.00	40	22,496	0.002	3	34
Decibel DB224	215.00	32	16,806	0.001	2	27
Andrew DB224	213.00	38	19,741	0.002	2	33
Side Arm	213.00	300	155,847	0.013	20	258
Generic 22' Dipole	213.00	66	34,286	0.003	4	57
Ericsson RRUS 8843 B2, B66A	196.00	216	101,836	0.009	13	185
Ericsson RRUS 4478 B14	196.00	180	84,722	0.007	11	154
Ericsson RRUS 4449 B5, B12	196.00	213	100,421	0.008	13	183
Ericsson AIR 6449 B77D	196.00	245	115,414	0.010	15	210
Raycap DC9-48-60-24-8C-EV	196.00	32	15,087	0.001	2	27
Sabre C10857001	196.00	1,386	653,447	0.055	83	1,190
CCI DMP65R-BU8D	196.00	287	135,357	0.011	17	246
CCI TPA65R-BU8D	196.00	248	116,687	0.010	15	212
Alcatel-Lucent RRH2x50-08	180.00	317	135,494	0.011	17	272
Alcatel-Lucent 1900 MHz 4X45 RRH	180.00	180	76,840	0.006	10	155
Decibel DB844H90E-XY	180.00	42	17,929	0.002	2	36
Alcatel-Lucent TD-RRH8x20-25 w/ Solar	180.00	210	89,646	0.008	11	180
RFS APXVTM14-ALU-I20	180.00	169	71,973	0.006	9	145
Commscope NNVV-65B-R4	180.00	232	99,123	0.008	13	199
Round Sector Frame	180.00	900	384,198	0.032	49	773
Flat Light Sector Frame	170.00	1,200	479,229	0.040	61	1,030
Commscope CBC78T-DS-43-2X	169.00	62	24,630	0.002	3	53
Samsung B5/B13 RRH-BR04C	169.00	211	83,647	0.007	11	181
Samsung B2/B66A RRH-BR049	169.00	253	100,424	0.008	13	217
RFS DB-T1-6Z-8AB-0Z	169.00	44	17,451	0.001	2	38

Site Number: 6310

Code:

ANSI/TIA-222-H

© 2007 - 2021 by ATC IP LLC. All rights reserved.

Site Name: FRANKLIN CT, CT

Engineering Number: 13626843_C3_03

3/24/2021 5:18:10 PM

Customer: AT&T MOBILITY

Equivalent Lateral Force Method

Commscope LNX-8513DS-A1M	169.00	118	46,642	0.004	6	101
Commscope JAHH-65B-R3B	169.00	364	144,211	0.012	18	312
Procom CXL 900-3LW	160.00	2	558	0.000	0	1
Generic 5" x 3" x 2" Cavity Filter	160.00	2	558	0.000	0	1
Generic Low Noise Amplifier	160.00	2	744	0.000	0	2
Flat Side Arm	160.00	150	55,814	0.005	7	129
Scala AP7-850/065	130.00	6	1,752	0.000	0	5
Generic 24" x 24" Junction Box	130.00	20	5,841	0.000	1	17
Round Side Arm	130.00	150	43,810	0.004	6	129
Flat Side Arm	125.00	450	125,553	0.011	16	386
Round Side Arm	115.00	150	37,973	0.003	5	129
Generic 20' Dipole	115.00	60	15,189	0.001	2	52
Round Side Arm	105.00	150	34,150	0.003	4	129
Generic 5' Yagi	105.00	20	4,553	0.000	1	17
Generic 2' x 4' Rectangular Grid Dish	105.00	40	9,107	0.001	1	34
Generic 6' Ice Shield	82.00	450	76,786	0.006	10	386
RFS PA6-65AC w/ Radome	80.00	308	51,064	0.004	6	264
		33,252	11,842,096	1.000	1,495	28,544

Site Number: 6310

Code: ANSI/TIA-222-H

© 2007 - 2021 by ATC IP LLC. All rights reserved.

Site Name: FRANKLIN CT, CT

Engineering Number: 13626843_C3_03

3/24/2021 5:18:11 PM

Customer: AT&T MOBILITY

Force/Stress Summary

Section: 1		Base	Bot Elev (ft): 0.00					Height (ft): 4.000							
		Pu (kip)	Load Case	Len (ft)	Bracing %			F'y (ksi)	Phic (kip)	Pn Num Bolts	Num Holes	Shear phiRnv (kip)	Bear phiRn (kip)	Use %	Controls
Max Compression Member															
LEG	SOL - 2 1/4" SOLID	-76.50	1.2D + 1.0Di + 1.0Wi	2.31	100	100	100	49.3	50.0	149.83	0	0	0.00	0.00	51 Member X
HORIZ		0.00		0.000	0	0	0	0.0	0.0	0.00	0	0	0.00	0.00	0
DIAG	PL - PL 2 x 0.5"	-2.70	1.2D + 1.0W Normal	3.651	50	50	50	136.6	36.0	15.33	0	0	0.00	0.00	Member Y
Max Tension Member															
		Pu (kip)	Load Case	Fy (ksi)	Fu (ksi)	Phit (kip)	Pn Num Bolts	Num Holes	Shear phiRnv (kip)	Bear phiRn (kip)	Blk Shear phit Pn (kip)	Use %	Controls		
LEG		0.00		0	0	0.00	0	0	0.00	0.00		0			
HORIZ	SAE - 3X3X0.3125	19.67	1.2D + 1.0Di + 1.0Wi	36	58	57.67	0	0	0.00	0.00	0.00	34	Member		
DIAG		0.00		0	0	0.00	0	0	0.00	0.00	0.00	0			
Max Splice Forces															
		Pu (kip)	Load Case	phiRnt (kip)	Use %	Num Bolts	Bolt Type								
Top Tension		0.00		0.00	0	0									
Top Compression		61.28	1.2D + 1.0Di + 1.0Wi	0.00	0										
Bot Tension		0.00		0.00	0										
Bot Compression		0.00		0.00	0										

Section: 2		16'-4 Bays	Bot Elev (ft): 4.00					Height (ft): 16.000							
		Pu (kip)	Load Case	Len (ft)	Bracing %			F'y (ksi)	Phic (kip)	Pn Num Bolts	Num Holes	Shear phiRnv (kip)	Bear phiRn (kip)	Use %	Controls
Max Compression Member															
LEG	SOL - 2 1/4" SOLID	-68.09	1.2D + 1.0Di + 1.0Wi	3.90	100	100	100	83.2	50.0	107.86	0	0	0.00	0.00	63 Member X
HORIZ	SAE - 2X2X0.1875	-1.81	1.2D + 1.0W 330 deg	4.000	100	100	100	121.8	36.0	13.73	0	0	0.00	0.00	13 Member Z
DIAG	SOL - 5/8" SOLID	-1.38	1.2D + 1.0W Normal	5.587	50	50	50	193.4	50.0	1.85	0	0	0.00	0.00	Member X
Max Tension Member															
		Pu (kip)	Load Case	Fy (ksi)	Fu (ksi)	Phit (kip)	Pn Num Bolts	Num Holes	Shear phiRnv (kip)	Bear phiRn (kip)	Blk Shear phit Pn (kip)	Use %	Controls		
LEG		0.00		0	0	0.00	0	0	0.00	0.00		0			
HORIZ	SAE - 2X2X0.1875	4.87	1.2D + 1.0Di + 1.0Wi	36	58	23.17	0	0	0.00	0.00	0.00	21	Member		
DIAG	SOL - 5/8" SOLID	2.53	1.2D + 1.0W 90 deg	50	65	13.81	0	0	0.00	0.00	0.00	18	Member		
Max Splice Forces															
		Pu (kip)	Load Case	phiRnt (kip)	Use %	Num Bolts	Bolt Type								
Top Tension		0.00		0.00	0	0									
Top Compression		68.29	1.2D + 1.0Di + 1.0Wi	0.00	0										
Bot Tension		0.00		0.00	0										
Bot Compression		0.00		0.00	0										

Site Number: 6310
 Site Name: FRANKLIN CT, CT
 Customer: AT&T MOBILITY

Code: ANSI/TIA-222-H
 Engineering Number: 13626843_C3_03

© 2007 - 2021 by ATC IP LLC. All rights reserved.

3/24/2021 5:18:11 PM

Force/Stress Summary

Section: 3		20'-5 Bays		Bot Elev (ft): 20.00				Height (ft): 20.000							
Max Compression Member		Pu (kip)	Load Case	Len (ft)	Bracing %			F'y (ksi)	Phic Pn (kip)	Num Bolts	Num Holes	Shear phiRnv (kip)	Bear phiRn (kip)	Use %	Controls
LEG	SOL - 2 1/4" SOLID	-67.73	1.2D + 1.0Di + 1.0Wi	3.92	100	100	100	83.6	50.0	107.30	0	0	0.00	0.00	63 Member X
HORIZ	SAE - 2X2X0.1875	-1.41	1.2D + 1.0W 90 deg	4.000	100	100	100	121.8	36.0	13.73	0	0	0.00	0.00	10 Member Z
DIAG	SOL - 5/8" SOLID	-1.48	1.2D + 1.0W Normal	5.601	50	50	50	193.9	50.0	1.84	0	0	0.00	0.00	Member X

Max Tension Member		Pu (kip)	Load Case	Fy (ksi)	Fu (ksi)	Phit Pn (kip)	Num Bolts	Num Holes	Shear phiRnv (kip)	Bear phiRn (kip)	Blk Shear phit Pn (kip)	Use %	Controls
LEG		0.00		0	0	0.00	0	0	0.00	0.00		0	
HORIZ	SAE - 2X2X0.1875	2.51	1.2D + 1.0W Normal	36	58	23.17	0	0	0.00	0.00	0.00	10	Member
DIAG	SOL - 5/8" SOLID	2.33	1.2D + 1.0W 90 deg	50	65	13.81	0	0	0.00	0.00	0.00	16	Member

Max Splice Forces		Pu (kip)	Load Case	phiRnt (kip)	Use %	Num Bolts	Bolt Type
Top Tension		0.00		0.00	0	0	
Top Compression		63.84	1.2D + 1.0Di + 1.0Wi	0.00	0		
Bot Tension		0.00		0.00	0		
Bot Compression		0.00		0.00	0		

Section: 4		20'-5 Bays		Bot Elev (ft): 40.00				Height (ft): 20.000							
Max Compression Member		Pu (kip)	Load Case	Len (ft)	Bracing %			F'y (ksi)	Phic Pn (kip)	Num Bolts	Num Holes	Shear phiRnv (kip)	Bear phiRn (kip)	Use %	Controls
LEG	SOL - 2 1/4" SOLID	-69.98	1.2D + 1.0W Normal	3.92	100	100	100	83.6	50.0	107.30	0	0	0.00	0.00	65 Member X
HORIZ	SAE - 2X2X0.1875	-3.56	1.2D + 1.0W 90 deg	4.000	100	100	100	121.8	36.0	13.73	0	0	0.00	0.00	25 Member Z
DIAG	SOL - 5/8" SOLID	-1.61	1.2D + 1.0W Normal	5.601	50	50	50	193.9	50.0	1.84	0	0	0.00	0.00	Member X

Max Tension Member		Pu (kip)	Load Case	Fy (ksi)	Fu (ksi)	Phit Pn (kip)	Num Bolts	Num Holes	Shear phiRnv (kip)	Bear phiRn (kip)	Blk Shear phit Pn (kip)	Use %	Controls
LEG		0.00		0	0	0.00	0	0	0.00	0.00		0	
HORIZ	SAE - 2X2X0.1875	2.55	1.2D + 1.0Di + 1.0Wi	36	58	23.17	0	0	0.00	0.00	0.00	11	Member
DIAG	SOL - 5/8" SOLID	5.30	1.2D + 1.0W 90 deg	50	65	13.81	0	0	0.00	0.00	0.00	38	Member

Max Splice Forces		Pu (kip)	Load Case	phiRnt (kip)	Use %	Num Bolts	Bolt Type
Top Tension		0.00		0.00	0	0	
Top Compression		69.82	1.2D + 1.0W 120 deg	0.00	0		
Bot Tension		0.00		0.00	0		
Bot Compression		0.00		0.00	0		

Site Number: 6310
 Site Name: FRANKLIN CT, CT
 Customer: AT&T MOBILITY

Code: ANSI/TIA-222-H
 Engineering Number: 13626843_C3_03

© 2007 - 2021 by ATC IP LLC. All rights reserved.

3/24/2021 5:18:11 PM

Force/Stress Summary

Section: 5		20'-5 Bays		Bot Elev (ft): 60.00				Height (ft): 20.000							
		Pu (kip)	Load Case	Len (ft)	Bracing %			F'y (ksi)	Phic Pn (kip)	Num Bolts	Num Holes	Shear phiRnv (kip)	Bear phiRn (kip)	Use %	Controls
Max Compression Member															
LEG	SOL - 2 1/4" SOLID	-69.27	1.2D + 1.0W Normal	3.92	100	100	100	83.6	50.0	107.30	0	0	0.00	0.00	64 Member X
HORIZ	SAE - 2X2X0.1875	-4.72	1.2D + 1.0W 90 deg	4.000	100	100	100	121.8	36.0	13.73	0	0	0.00	0.00	34 Member Z
DIAG	SOL - 5/8" SOLID	-1.19	1.2D + 1.0W Normal	5.601	50	50	50	193.9	50.0	1.84	0	0	0.00	0.00	Member X
Max Tension Member															
		Pu (kip)	Load Case	Fy (ksi)	Fu (ksi)	Phit Pn (kip)	Num Bolts	Num Holes	Shear phiRnv (kip)	Bear phiRn (kip)	Blk Shear phit Pn (kip)	Use %	Controls		
LEG		0.00		0	0	0.00	0	0	0.00	0.00		0			
HORIZ	SAE - 2X2X0.1875	2.35	1.2D + 1.0Di + 1.0Wi	36	58	23.17	0	0	0.00	0.00	0.00	10	Member		
DIAG	SOL - 5/8" SOLID	6.91	1.2D + 1.0W 90 deg	50	65	13.81	0	0	0.00	0.00	0.00	50	Member		
Max Splice Forces															
		Pu (kip)	Load Case	phiRnt (kip)	Use %	Num Bolts	Bolt Type								
Top Tension		0.00		0.00	0	0									
Top Compression		57.39	1.2D + 1.0Di + 1.0Wi	0.00	0										
Bot Tension		0.00		0.00	0										
Bot Compression		0.00		0.00	0										

Section: 6		20'-5 Bays		Bot Elev (ft): 80.00				Height (ft): 20.000							
		Pu (kip)	Load Case	Len (ft)	Bracing %			F'y (ksi)	Phic Pn (kip)	Num Bolts	Num Holes	Shear phiRnv (kip)	Bear phiRn (kip)	Use %	Controls
Max Compression Member															
LEG	SOL - 2 1/4" SOLID	-57.00	1.2D + 1.0Di + 1.0Wi	3.92	100	100	100	83.6	50.0	107.30	0	0	0.00	0.00	53 Member X
HORIZ	SAE - 2X2X0.1875	-1.25	1.2D + 1.0W Normal	4.000	100	100	100	121.8	36.0	13.73	0	0	0.00	0.00	9 Member Z
DIAG	SOL - 5/8" SOLID	-1.59	1.2D + 1.0W Normal	5.601	50	50	50	193.9	50.0	1.84	0	0	0.00	0.00	Member X
Max Tension Member															
		Pu (kip)	Load Case	Fy (ksi)	Fu (ksi)	Phit Pn (kip)	Num Bolts	Num Holes	Shear phiRnv (kip)	Bear phiRn (kip)	Blk Shear phit Pn (kip)	Use %	Controls		
LEG		0.00		0	0	0.00	0	0	0.00	0.00		0			
HORIZ	SAE - 2X2X0.1875	2.42	1.2D + 1.0W Normal	36	58	23.17	0	0	0.00	0.00	0.00	10	Member		
DIAG	SOL - 5/8" SOLID	2.24	1.2D + 1.0W 330 deg	50	65	13.81	0	0	0.00	0.00	0.00	16	Member		
Max Splice Forces															
		Pu (kip)	Load Case	phiRnt (kip)	Use %	Num Bolts	Bolt Type								
Top Tension		0.00		0.00	0	0									
Top Compression		56.34	1.2D + 1.0Di + 1.0Wi	0.00	0										
Bot Tension		0.00		0.00	0										
Bot Compression		0.00		0.00	0										

Site Number: 6310
 Site Name: FRANKLIN CT, CT
 Customer: AT&T MOBILITY

Code: ANSI/TIA-222-H
 Engineering Number: 13626843_C3_03

© 2007 - 2021 by ATC IP LLC. All rights reserved.

3/24/2021 5:18:11 PM

Force/Stress Summary

Section: 7		20'-5 Bays		Bot Elev (ft): 100.0				Height (ft): 20.000							
Max Compression Member		Pu (kip)	Load Case	Len (ft)	Bracing %			F'y (ksi)	Phic (kip)	Pn Num Bolts	Num Holes	Shear phiRnv (kip)	Bear phiRn (kip)	Use %	Controls
LEG	SOL - 2 1/4" SOLID	-56.11	1.2D + 1.0W 330 deg	3.92	100	100	100	83.6	50.0	107.30	0	0	0.00	0.00	52 Member X
HORIZ	SAE - 2X2X0.1875	-3.81	1.2D + 1.0W 90 deg	4.000	100	100	100	121.8	36.0	13.73	0	0	0.00	0.00	27 Member Z
DIAG	SOL - 5/8" SOLID	-1.59	1.2D + 1.0W Normal	5.601	50	50	50	193.9	50.0	1.84	0	0	0.00	0.00	Member X
Max Tension Member		Pu (kip)	Load Case	Fy (ksi)	Fu (ksi)	Phit (kip)	Pn Num Bolts	Num Holes	Shear phiRnv (kip)	Bear phiRn (kip)	Blk Shear phit Pn (kip)	Use %	Controls		
LEG		0.00		0	0	0.00	0	0	0.00	0.00		0			
HORIZ	SAE - 2X2X0.1875	2.49	1.2D + 1.0W Normal	36	58	23.17	0	0	0.00	0.00	0.00	10	Member		
DIAG	SOL - 5/8" SOLID	6.14	1.2D + 1.0W 90 deg	50	65	13.81	0	0	0.00	0.00	0.00	44	Member		
Max Splice Forces		Pu (kip)	Load Case	phiRnt (kip)	Use %	Num Bolts	Bolt Type								
Top Tension		0.00		0.00	0	0									
Top Compression		51.89	1.2D + 1.0W 120 deg	0.00	0										
Bot Tension		0.00		0.00	0										
Bot Compression		0.00		0.00	0										

Section: 8		20'-5 Bays		Bot Elev (ft): 120.0				Height (ft): 20.000							
Max Compression Member		Pu (kip)	Load Case	Len (ft)	Bracing %			F'y (ksi)	Phic (kip)	Pn Num Bolts	Num Holes	Shear phiRnv (kip)	Bear phiRn (kip)	Use %	Controls
LEG	SOL - 2 1/4" SOLID	-60.75	1.2D + 1.0W 120 deg	3.92	100	100	100	83.6	50.0	107.30	0	0	0.00	0.00	56 Member X
HORIZ	SAE - 2X2X0.1875	-5.91	1.2D + 1.0W 90 deg	4.000	100	100	100	121.8	36.0	13.73	0	0	0.00	0.00	43 Member Z
DIAG	SOL - 5/8" SOLID	-0.81	1.2D + 1.0W Normal	5.601	50	50	50	193.9	50.0	1.84	0	0	0.00	0.00	Member X
Max Tension Member		Pu (kip)	Load Case	Fy (ksi)	Fu (ksi)	Phit (kip)	Pn Num Bolts	Num Holes	Shear phiRnv (kip)	Bear phiRn (kip)	Blk Shear phit Pn (kip)	Use %	Controls		
LEG		0.00		0	0	0.00	0	0	0.00	0.00		0			
HORIZ	SAE - 2X2X0.1875	1.72	1.2D + 1.0W Normal	36	58	23.17	0	0	0.00	0.00	0.00	7	Member		
DIAG	SOL - 5/8" SOLID	8.51	1.2D + 1.0W 90 deg	50	65	13.81	0	0	0.00	0.00	0.00	61	Member		
Max Splice Forces		Pu (kip)	Load Case	phiRnt (kip)	Use %	Num Bolts	Bolt Type								
Top Tension		0.00		0.00	0	0									
Top Compression		44.22	1.2D + 1.0W Normal	0.00	0										
Bot Tension		0.00		0.00	0										
Bot Compression		0.00		0.00	0										

Site Number: 6310
 Site Name: FRANKLIN CT, CT
 Customer: AT&T MOBILITY

Code: ANSI/TIA-222-H
 Engineering Number: 13626843_C3_03

© 2007 - 2021 by ATC IP LLC. All rights reserved.

3/24/2021 5:18:11 PM

Force/Stress Summary

Section: 9		20'-5 Bays		Bot Elev (ft): 140.0				Height (ft): 20.000							
Max Compression Member		Pu (kip)	Load Case	Len (ft)	Bracing %			F'y (ksi)	Phic Pn (kip)	Num Bolts	Num Holes	Shear phiRnv (kip)	Bear phiRn (kip)	Use %	Controls
LEG	SOL - 2 1/4" SOLID	-62.22	1.2D + 1.0W 330 deg	3.92	100	100	100	83.6	50.0	107.30	0	0	0.00	0.00	57 Member X
HORIZ	SAE - 2X2X0.1875	-3.67	1.2D + 1.0W 90 deg	4.000	100	100	100	121.8	36.0	13.73	0	0	0.00	0.00	26 Member Z
DIAG	SOL - 5/8" SOLID	-1.43	1.2D + 1.0W Normal	5.601	50	50	50	193.9	50.0	1.84	0	0	0.00	0.00	Member X

Max Tension Member		Pu (kip)	Load Case	Fy (ksi)	Fu (ksi)	Phit Pn (kip)	Num Bolts	Num Holes	Shear phiRnv (kip)	Bear phiRn (kip)	Blk Shear phit Pn (kip)	Use %	Controls
LEG	SOL - 2 1/4" SOLID	8.64	1.2D + 1.0W Normal	50	65	178.92	0	0	0.00	0.00		4	Member
HORIZ	SAE - 2X2X0.1875	2.38	1.2D + 1.0W Normal	36	58	23.17	0	0	0.00	0.00	0.00	10	Member
DIAG	SOL - 5/8" SOLID	5.63	1.2D + 1.0W 90 deg	50	65	13.81	0	0	0.00	0.00	0.00	40	Member

Max Splice Forces		Pu (kip)	Load Case	phiRnt (kip)	Use %	Num Bolts	Bolt Type
Top Tension		8.64	1.2D + 1.0W Normal	0.00	0	0	
Top Compression		62.15	1.2D + 1.0W 330 deg	0.00	0		
Bot Tension		0.00		0.00	0		
Bot Compression		0.00		0.00	0		

Section: 10		20'-5 Bays		Bot Elev (ft): 160.0				Height (ft): 20.000							
Max Compression Member		Pu (kip)	Load Case	Len (ft)	Bracing %			F'y (ksi)	Phic Pn (kip)	Num Bolts	Num Holes	Shear phiRnv (kip)	Bear phiRn (kip)	Use %	Controls
LEG	SOL - 2 1/4" SOLID	-62.45	1.2D + 1.0W 330 deg	3.92	100	100	100	83.6	50.0	107.30	0	0	0.00	0.00	58 Member X
HORIZ	SAE - 2X2X0.1875	-2.93	1.2D + 1.0W 90 deg	4.000	100	100	100	121.8	36.0	13.73	0	0	0.00	0.00	21 Member Z
DIAG	SOL - 5/8" SOLID	-1.33	1.2D + 1.0W Normal	5.601	50	50	50	193.9	50.0	1.84	0	0	0.00	0.00	Member X

Max Tension Member		Pu (kip)	Load Case	Fy (ksi)	Fu (ksi)	Phit Pn (kip)	Num Bolts	Num Holes	Shear phiRnv (kip)	Bear phiRn (kip)	Blk Shear phit Pn (kip)	Use %	Controls
LEG	SOL - 2 1/4" SOLID	10.76	1.2D + 1.0W Normal	50	65	178.92	0	0	0.00	0.00		6	Member
HORIZ	SAE - 2X2X0.1875	2.93	1.2D + 1.0W Normal	36	58	23.17	0	0	0.00	0.00	0.00	12	Member
DIAG	SOL - 5/8" SOLID	4.62	1.2D + 1.0W 90 deg	50	65	13.81	0	0	0.00	0.00	0.00	33	Member

Max Splice Forces		Pu (kip)	Load Case	phiRnt (kip)	Use %	Num Bolts	Bolt Type
Top Tension		0.00		0.00	0	0	
Top Compression		49.47	1.2D + 1.0W 330 deg	0.00	0		
Bot Tension		8.64	1.2D + 1.0W Normal	0.00	0		
Bot Compression		0.00		0.00	0		

Site Number: 6310
 Site Name: FRANKLIN CT, CT
 Customer: AT&T MOBILITY

Code: ANSI/TIA-222-H
 Engineering Number: 13626843_C3_03

© 2007 - 2021 by ATC IP LLC. All rights reserved.

3/24/2021 5:18:11 PM

Force/Stress Summary

Section: 11		20'-5 Bays		Bot Elev (ft): 180.0				Height (ft): 20.000							
Max Compression Member		Pu (kip)	Load Case	Len (ft)	Bracing %			F'y (ksi)	Phic Pn (kip)	Num Bolts	Num Holes	Shear phiRnv (kip)	Bear phiRn (kip)	Use %	Controls
LEG	SOL - 2" SOLID	-48.39	1.2D + 1.0W 330 deg	3.92	100	100	100	94.1	50.0	74.01	0	0	0.00	0.00	65 Member X
HORIZ	SAE - 2X2X0.1875	-3.94	1.2D + 1.0W 90 deg	4.000	100	100	100	121.8	36.0	13.73	0	0	0.00	0.00	28 Member Z
DIAG	SOL - 5/8" SOLID	-1.49	1.2D + 1.0W Normal	5.601	50	50	50	193.9	50.0	1.84	0	0	0.00	0.00	Member X

Max Tension Member		Pu (kip)	Load Case	Fy (ksi)	Fu (ksi)	Phit Pn (kip)	Num Bolts	Num Holes	Shear phiRnv (kip)	Bear phiRn (kip)	Blk Shear phit Pn (kip)	Use %	Controls
LEG	SOL - 2" SOLID	11.05	1.2D + 1.0W Normal	50	65	141.37	0	0	0.00	0.00		7	Member
HORIZ	SAE - 2X2X0.1875	2.56	1.2D + 1.0W Normal	36	58	23.17	0	0	0.00	0.00	0.00	11	Member
DIAG	SOL - 5/8" SOLID	8.44	1.2D + 1.0W 90 deg	50	65	13.81	0	0	0.00	0.00	0.00	61	Member

Max Splice Forces		Pu (kip)	Load Case	phiRnt (kip)	Use %	Num Bolts	Bolt Type
Top Tension		10.96	1.2D + 1.0W 240 deg	0.00	0	0	
Top Compression		37.28	1.2D + 1.0W 330 deg	0.00	0		
Bot Tension		0.00		0.00	0		
Bot Compression		0.00		0.00	0		

Section: 12		20'-5 Bays		Bot Elev (ft): 200.0				Height (ft): 20.000							
Max Compression Member		Pu (kip)	Load Case	Len (ft)	Bracing %			F'y (ksi)	Phic Pn (kip)	Num Bolts	Num Holes	Shear phiRnv (kip)	Bear phiRn (kip)	Use %	Controls
LEG	SOL - 2" SOLID	-35.65	1.2D + 1.0W 90 deg	3.92	100	100	100	94.1	50.0	74.01	0	0	0.00	0.00	48 Member X
HORIZ		0.00		0.000	0	0	0	0.0	0.0	0.00	0	0	0.00	0.00	0
DIAG	SOL - 5/8" SOLID	-0.43	1.2D + 1.0W Normal	5.601	50	50	50	193.9	50.0	1.84	0	0	0.00	0.00	Member X

Max Tension Member		Pu (kip)	Load Case	Fy (ksi)	Fu (ksi)	Phit Pn (kip)	Num Bolts	Num Holes	Shear phiRnv (kip)	Bear phiRn (kip)	Blk Shear phit Pn (kip)	Use %	Controls
LEG	SOL - 2" SOLID	11.44	1.2D + 1.0W Normal	50	65	141.37	0	0	0.00	0.00		8	Member
HORIZ	SAE - 2X2X0.1875	1.92	1.2D + 1.0W Normal	36	58	23.17	0	0	0.00	0.00	0.00	8	Member
DIAG	SOL - 5/8" SOLID	0.56	1.2D + 1.0W Normal	50	65	13.81	0	0	0.00	0.00	0.00	4	Member

Max Splice Forces		Pu (kip)	Load Case	phiRnt (kip)	Use %	Num Bolts	Bolt Type
Top Tension		5.91	1.2D + 1.0W 240 deg	0.00	0	0	
Top Compression		33.08	1.2D + 1.0W 330 deg	0.00	0		
Bot Tension		10.96	1.2D + 1.0W 240 deg	0.00	0		
Bot Compression		0.00		0.00	0		

Site Number: 6310
 Site Name: FRANKLIN CT, CT
 Customer: AT&T MOBILITY

Code: ANSI/TIA-222-H
 Engineering Number: 13626843_C3_03

© 2007 - 2021 by ATC IP LLC. All rights reserved.

3/24/2021 5:18:11 PM

Force/Stress Summary

Section: 13		20'-5 Bays		Bot Elev (ft): 220.0				Height (ft): 20.000							
Max Compression Member		Pu (kip)	Load Case	Len (ft)	Bracing %			F'y (ksi)	Phic (kip)	Pn Num Bolts	Num Holes	Shear phiRnv (kip)	Bear phiRn (kip)	Use %	Controls
LEG	SOL - 2" SOLID	-31.61	1.2D + 1.0W 90 deg	3.92	100	100	100	94.1	50.0	74.01	0	0	0.00	0.00	42 Member X
HORIZ	SAE - 2X2X0.1875	-3.04	1.2D + 1.0W 330 deg	4.000	100	100	100	121.8	36.0	13.73	0	0	0.00	0.00	22 Member Z
DIAG	SOL - 5/8" SOLID	-1.18	1.2D + 1.0W Normal	5.601	50	50	50	193.9	50.0	1.84	0	0	0.00	0.00	Member X

Max Tension Member		Pu (kip)	Load Case	Fy (ksi)	Fu (ksi)	Phit (kip)	Pn Num Bolts	Num Holes	Shear phiRnv (kip)	Bear phiRn (kip)	Blk Shear phit Pn (kip)	Use %	Controls
LEG	SOL - 2" SOLID	5.97	1.2D + 1.0W 240 deg	50	65	141.37	0	0	0.00	0.00			4 Member
HORIZ	SAE - 2X2X0.1875	1.60	1.2D + 1.0W Normal	36	58	23.17	0	0	0.00	0.00	0.00		6 Member
DIAG	SOL - 5/8" SOLID	4.45	1.2D + 1.0W 210 deg	50	65	13.81	0	0	0.00	0.00	0.00		32 Member

Max Splice Forces		Pu (kip)	Load Case	phiRnt (kip)	Use %	Num Bolts	Bolt Type
Top Tension		0.00		0.00	0	0	
Top Compression		23.11	1.2D + 1.0W 210 deg	0.00	0		
Bot Tension		5.91	1.2D + 1.0W 240 deg	0.00	0		
Bot Compression		0.00		0.00	0		

Section: 14		20'-5 Bays		Bot Elev (ft): 240.0				Height (ft): 20.000							
Max Compression Member		Pu (kip)	Load Case	Len (ft)	Bracing %			F'y (ksi)	Phic (kip)	Pn Num Bolts	Num Holes	Shear phiRnv (kip)	Bear phiRn (kip)	Use %	Controls
LEG	SOL - 2" SOLID	-23.99	1.2D + 1.0W Normal	3.92	100	100	100	94.1	50.0	74.01	0	0	0.00	0.00	32 Member X
HORIZ	SAE - 2X2X0.1875	-1.94	1.2D + 1.0W Normal	4.000	100	100	100	121.8	36.0	13.73	0	0	0.00	0.00	14 Member Z
DIAG	SOL - 5/8" SOLID	-0.50	1.2D + 1.0W Normal	5.601	50	50	50	193.9	50.0	1.84	0	0	0.00	0.00	Member X

Max Tension Member		Pu (kip)	Load Case	Fy (ksi)	Fu (ksi)	Phit (kip)	Pn Num Bolts	Num Holes	Shear phiRnv (kip)	Bear phiRn (kip)	Blk Shear phit Pn (kip)	Use %	Controls
LEG	SOL - 2" SOLID	10.57	1.2D + 1.0W 180 deg	50	65	141.37	0	0	0.00	0.00			7 Member
HORIZ	SAE - 2X2X0.1875	0.93	1.2D + 1.0W Normal	36	58	23.17	0	0	0.00	0.00	0.00		4 Member
DIAG	SOL - 5/8" SOLID	5.16	1.2D + 1.0W 330 deg	50	65	13.81	0	0	0.00	0.00	0.00		37 Member

Max Splice Forces		Pu (kip)	Load Case	phiRnt (kip)	Use %	Num Bolts	Bolt Type
Top Tension		0.00		0.00	0	0	
Top Compression		11.88	1.2D + 1.0W 210 deg	0.00	0		
Bot Tension		0.00		0.00	0		
Bot Compression		0.00		0.00	0		

Site Number: 6310

Code: ANSI/TIA-222-H

© 2007 - 2021 by ATC IP LLC. All rights reserved.

Site Name: FRANKLIN CT, CT

Engineering Number: 13626843_C3_03

3/24/2021 5:18:11 PM

Customer: AT&T MOBILITY

Force/Stress Summary

Section: 15		20'-5 Bays		Bot Elev (ft): 260.0				Height (ft): 20.000							
Max Compression Member		Pu (kip)	Load Case	Len (ft)	Bracing %			F'y (ksi)	Phic Pn (kip)	Num Bolts	Num Holes	Shear phiRnv (kip)	Bear phiRn (kip)	Use %	Controls
LEG	SOL - 2" SOLID	-11.13	1.2D + 1.0W 210 deg	3.92	100	100	100	94.1	50.0	74.01	0	0	0.00	0.00	15 Member X
HORIZ		0.00		0.000	0	0	0	0.0	0.0	0.00	0	0	0.00	0.00	0
DIAG	SOL - 5/8" SOLID	-1.03	1.2D + 1.0W Normal	5.601	50	50	50	193.9	50.0	1.84	0	0	0.00	0.00	Member X

Max Tension Member		Pu (kip)	Load Case	Fy (ksi)	Fu (ksi)	Phit Pn (kip)	Num Bolts	Num Holes	Shear phiRnv (kip)	Bear phiRn (kip)	Blk Shear phit Pn (kip)	Use %	Controls
LEG		0.00		0	0	0.00	0	0	0.00	0.00		0	
HORIZ	SAE - 2X2X0.1875	0.48	1.2D + 1.0W Normal	36	58	23.17	0	0	0.00	0.00	0.00	2	Member
DIAG	SOL - 5/8" SOLID	0.70	1.2D + 1.0W 60 deg	50	65	13.81	0	0	0.00	0.00	0.00	5	Member

Max Splice Forces		Pu (kip)	Load Case	phiRnt (kip)	Use %	Num Bolts	Bolt Type
Top Tension		0.00		0.00	0	0	
Top Compression		11.03	1.2D + 1.0W 120 deg	0.00	0		
Bot Tension		0.00		0.00	0		
Bot Compression		0.00		0.00	0		

Section: 16		20'-5 Bays		Bot Elev (ft): 280.0				Height (ft): 20.000							
Max Compression Member		Pu (kip)	Load Case	Len (ft)	Bracing %			F'y (ksi)	Phic Pn (kip)	Num Bolts	Num Holes	Shear phiRnv (kip)	Bear phiRn (kip)	Use %	Controls
LEG	SOL - 2" SOLID	-10.22	1.2D + 1.0W 90 deg	3.92	100	100	100	94.1	50.0	74.01	0	0	0.00	0.00	13 Member X
HORIZ	SAE - 2X2X0.1875	-0.50	1.2D + 1.0W 180 deg	4.000	100	100	100	121.8	36.0	13.73	0	0	0.00	0.00	3 Member Z
DIAG	SOL - 5/8" SOLID	-0.34	1.2D + 1.0W Normal	5.601	50	50	50	193.9	50.0	1.84	0	0	0.00	0.00	Member X

Max Tension Member		Pu (kip)	Load Case	Fy (ksi)	Fu (ksi)	Phit Pn (kip)	Num Bolts	Num Holes	Shear phiRnv (kip)	Bear phiRn (kip)	Blk Shear phit Pn (kip)	Use %	Controls
LEG	SOL - 2" SOLID	3.58	1.2D + 1.0W 180 deg	50	65	141.37	0	0	0.00	0.00		2	Member
HORIZ	SAE - 2X2X0.1875	0.48	1.2D + 1.0W Normal	36	58	23.17	0	0	0.00	0.00	0.00	2	Member
DIAG	SOL - 5/8" SOLID	1.17	1.2D + 1.0W 90 deg	50	65	13.81	0	0	0.00	0.00	0.00	8	Member

Max Splice Forces		Pu (kip)	Load Case	phiRnt (kip)	Use %	Num Bolts	Bolt Type
Top Tension		0.00		0.00	0	0	
Top Compression		0.36	1.2D + 1.0Di + 1.0Wi	0.00	0		
Bot Tension		0.00		0.00	0		
Bot Compression		0.00		0.00	0		

Site Number: 6310
 Site Name: FRANKLIN CT, CT
 Customer: AT&T MOBILITY

Code: ANSI/TIA-222-H
 Engineering Number: 13626843_C3_03

© 2007 - 2021 by ATC IP LLC. All rights reserved.

3/24/2021 5:18:11 PM

Detailed Reactions

Load Case	Radius (ft)	Elevation (ft)	Azimuth (deg)	Node	FX (kip)	FY (kip)	FZ (kip)	(-) = Uplift (+) = Down
1.2D + 1.0W Normal	0.00	00.00		1	-0.01	157.83	-2.07	
	190.00	07.00	0	A1	0.00	-3.51	2.69	
	190.00	03.00	240	A1a	-58.17	-54.57	-35.73	
	201.00	-08.00	120	A1b	58.15	-55.15	-35.76	
1.2D + 1.0W 60 deg	0.00	00.00		1	-2.30	132.82	-1.38	
	190.00	07.00	0	A1	-1.53	-12.89	13.88	
	190.00	03.00	240	A1a	-67.57	-62.95	-39.00	
	201.00	-08.00	120	A1b	11.19	-13.24	-8.29	
1.2D + 1.0W 90 deg	0.00	00.00		1	-2.25	147.76	-0.39	
	190.00	07.00	0	A1	-2.05	-33.98	42.51	
	190.00	03.00	240	A1a	-69.52	-63.73	-38.98	
	201.00	-08.00	120	A1b	4.01	-5.95	-3.18	
1.2D + 1.0W 120 deg	0.00	00.00		1	-1.84	156.37	1.08	
	190.00	07.00	0	A1	-1.84	-53.34	68.38	
	190.00	03.00	240	A1a	-60.17	-54.74	-32.61	
	201.00	-08.00	120	A1b	2.49	-3.81	-1.44	
1.2D + 1.0W 180 deg	0.00	00.00		1	0.03	131.93	2.72	
	190.00	07.00	0	A1	-0.01	-61.50	78.10	
	190.00	03.00	240	A1a	-12.90	-13.34	-5.68	
	201.00	-08.00	120	A1b	12.92	-13.38	-5.62	
1.2D + 1.0W 210 deg	0.00	00.00		1	0.79	146.82	2.18	
	190.00	07.00	0	A1	1.00	-61.93	79.41	
	190.00	03.00	240	A1a	-4.53	-5.74	-1.78	
	201.00	-08.00	120	A1b	37.66	-35.00	-19.30	
1.2D + 1.0W 240 deg	0.00	00.00		1	1.80	156.75	1.08	
	190.00	07.00	0	A1	1.85	-53.25	68.29	
	190.00	03.00	240	A1a	-2.36	-3.68	-1.37	
	201.00	-08.00	120	A1b	60.11	-55.23	-32.53	
1.2D + 1.0W 300 deg	0.00	00.00		1	2.30	131.97	-1.35	
	190.00	07.00	0	A1	1.53	-12.40	13.20	
	190.00	03.00	240	A1a	-10.64	-12.70	-7.91	
	201.00	-08.00	120	A1b	66.97	-63.03	-38.66	
1.2D + 1.0W 330 deg	0.00	00.00		1	1.46	148.17	-1.73	
	190.00	07.00	0	A1	0.71	-5.42	4.63	
	190.00	03.00	240	A1a	-35.42	-34.50	-22.83	
	201.00	-08.00	120	A1b	68.13	-64.02	-40.52	
1.2D + 1.0Di + 1.0Wi Normal	0.00	00.00		1	0.00	194.15	-0.66	
	190.00	07.00	0	A1	0.00	-11.64	17.20	
	190.00	03.00	240	A1a	-34.16	-29.95	-21.06	
	201.00	-08.00	120	A1b	34.13	-30.12	-21.10	
1.2D + 1.0Di + 1.0Wi 60 deg	0.00	00.00		1	-0.54	194.93	-0.35	
	190.00	07.00	0	A1	-1.15	-18.05	24.91	
	190.00	03.00	240	A1a	-41.37	-36.42	-23.88	
	201.00	-08.00	120	A1b	20.95	-18.67	-13.47	
1.2D + 1.0Di + 1.0Wi 90 deg	0.00	00.00		1	-0.62	194.45	-0.03	
	190.00	07.00	0	A1	-1.43	-23.65	32.68	
	190.00	03.00	240	A1a	-40.04	-34.65	-22.45	
	201.00	-08.00	120	A1b	16.54	-14.10	-10.22	

Site Number: 6310
 Site Name: FRANKLIN CT, CT
 Customer: AT&T MOBILITY

Code: ANSI/TIA-222-H
 Engineering Number: 13626843_C3_03

© 2007 - 2021 by ATC IP LLC. All rights reserved.

3/24/2021 5:18:11 PM

1.2D + 1.0Di + 1.0Wi 120 deg	0.00	00.00		1	-0.54	194.08	0.31
	190.00	07.00	0	A1	-1.16	-29.32	40.52
	190.00	03.00	240	A1a	-35.68	-30.13	-19.25
	201.00	-08.00	120	A1b	15.22	-12.29	-8.79
1.2D + 1.0Di + 1.0Wi 180 deg	0.00	00.00		1	0.02	194.64	0.67
	190.00	07.00	0	A1	0.00	-35.50	47.78
	190.00	03.00	240	A1a	-22.20	-18.62	-11.49
	201.00	-08.00	120	A1b	22.23	-18.74	-11.46
1.2D + 1.0Di + 1.0Wi 210 deg	0.00	00.00		1	0.34	194.19	0.56
	190.00	07.00	0	A1	0.56	-33.71	45.73
	190.00	03.00	240	A1a	-17.00	-13.98	-9.17
	201.00	-08.00	120	A1b	28.88	-24.41	-14.97
1.2D + 1.0Di + 1.0Wi 240 deg	0.00	00.00		1	0.57	193.76	0.31
	190.00	07.00	0	A1	1.16	-29.16	40.15
	190.00	03.00	240	A1a	-14.90	-12.04	-8.60
	201.00	-08.00	120	A1b	35.37	-30.15	-19.03
1.2D + 1.0Di + 1.0Wi 300 deg	0.00	00.00		1	0.55	194.21	-0.32
	190.00	07.00	0	A1	1.14	-17.78	24.48
	190.00	03.00	240	A1a	-20.61	-18.28	-13.23
	201.00	-08.00	120	A1b	40.97	-36.29	-23.65
1.2D + 1.0Di + 1.0Wi 330 deg	0.00	00.00		1	0.35	194.05	-0.57
	190.00	07.00	0	A1	0.55	-13.33	18.99
	190.00	03.00	240	A1a	-27.16	-24.02	-17.33
	201.00	-08.00	120	A1b	39.00	-34.55	-23.20
1.2D + 1.0Ev + 1.0Eh Normal M1	0.00	00.00		1	0.01	88.83	0.02
	190.00	07.00	0	A1	0.00	-13.22	17.79
	190.00	03.00	240	A1a	-16.62	-14.96	-9.60
	201.00	-08.00	120	A1b	16.62	-15.12	-9.60
1.2D + 1.0Ev + 1.0Eh 60 deg M1	0.00	00.00		1	0.03	88.89	0.00
	190.00	07.00	0	A1	0.00	-13.67	18.27
	190.00	03.00	240	A1a	-17.08	-15.47	-9.86
	201.00	-08.00	120	A1b	15.82	-14.22	-9.14
1.2D + 1.0Ev + 1.0Eh 90 deg M1	0.00	00.00		1	0.04	88.92	-0.01
	190.00	07.00	0	A1	0.00	-14.15	18.77
	190.00	03.00	240	A1a	-16.98	-15.36	-9.80
	201.00	-08.00	120	A1b	15.53	-13.88	-8.97
1.2D + 1.0Ev + 1.0Eh 120 deg M1	0.00	00.00		1	0.03	88.93	-0.02
	190.00	07.00	0	A1	0.00	-14.62	19.26
	190.00	03.00	240	A1a	-16.67	-15.01	-9.63
	201.00	-08.00	120	A1b	15.43	-13.77	-8.91
1.2D + 1.0Ev + 1.0Eh 180 deg M1	0.00	00.00		1	0.01	88.89	-0.03
	190.00	07.00	0	A1	0.00	-15.05	19.71
	190.00	03.00	240	A1a	-15.84	-14.06	-9.14
	201.00	-08.00	120	A1b	15.84	-14.24	-9.15
1.2D + 1.0Ev + 1.0Eh 210 deg M1	0.00	00.00		1	0.00	88.86	-0.03
	190.00	07.00	0	A1	0.00	-14.92	19.58
	190.00	03.00	240	A1a	-15.53	-13.72	-8.97
	201.00	-08.00	120	A1b	16.24	-14.69	-9.37
1.2D + 1.0Ev + 1.0Eh 240 deg M1	0.00	00.00		1	-0.01	88.83	-0.02
	190.00	07.00	0	A1	0.00	-14.56	19.20
	190.00	03.00	240	A1a	-15.44	-13.62	-8.91
	201.00	-08.00	120	A1b	16.62	-15.11	-9.59

Site Number: 6310

Code:

ANSI/TIA-222-H

© 2007 - 2021 by ATC IP LLC. All rights reserved.

Site Name: FRANKLIN CT, CT

Engineering Number: 13626843_C3_03

3/24/2021 5:18:11 PM

Customer: AT&T MOBILITY

1.2D + 1.0Ev + 1.0Eh 300 deg M1	0.00	00.00		1	-0.01	88.80	0.00
	190.00	07.00	0	A1	0.00	-13.68	18.27
	190.00	03.00	240	A1a	-15.81	-14.05	-9.13
	201.00	-08.00	120	A1b	16.99	-15.54	-9.81
1.2D + 1.0Ev + 1.0Eh 330 deg M1	0.00	00.00		1	0.00	88.81	0.01
	190.00	07.00	0	A1	0.00	-13.33	17.91
	190.00	03.00	240	A1a	-16.21	-14.49	-9.36
	201.00	-08.00	120	A1b	16.91	-15.45	-9.77
0.9D - 1.0Ev + 1.0Eh Normal M1	0.00	00.00		1	0.01	76.76	0.02
	190.00	07.00	0	A1	0.00	-13.43	18.01
	190.00	03.00	240	A1a	-16.81	-15.17	-9.71
	201.00	-08.00	120	A1b	16.81	-15.34	-9.71
0.9D - 1.0Ev + 1.0Eh 60 deg M1	0.00	00.00		1	0.03	76.82	0.00
	190.00	07.00	0	A1	0.00	-13.90	18.50
	190.00	03.00	240	A1a	-17.24	-15.66	-9.95
	201.00	-08.00	120	A1b	16.02	-14.45	-9.25
0.9D - 1.0Ev + 1.0Eh 90 deg M1	0.00	00.00		1	0.04	76.84	-0.01
	190.00	07.00	0	A1	0.00	-14.36	18.99
	190.00	03.00	240	A1a	-17.16	-15.57	-9.91
	201.00	-08.00	120	A1b	15.72	-14.10	-9.08
0.9D - 1.0Ev + 1.0Eh 120 deg M1	0.00	00.00		1	0.03	76.86	-0.02
	190.00	07.00	0	A1	0.00	-14.83	19.48
	190.00	03.00	240	A1a	-16.86	-15.23	-9.73
	201.00	-08.00	120	A1b	15.61	-13.98	-9.01
0.9D - 1.0Ev + 1.0Eh 180 deg M1	0.00	00.00		1	0.01	76.82	-0.03
	190.00	07.00	0	A1	0.00	-15.27	19.93
	190.00	03.00	240	A1a	-16.02	-14.28	-9.25
	201.00	-08.00	120	A1b	16.03	-14.46	-9.25
0.9D - 1.0Ev + 1.0Eh 210 deg M1	0.00	00.00		1	0.00	76.79	-0.03
	190.00	07.00	0	A1	0.00	-15.14	19.79
	190.00	03.00	240	A1a	-15.72	-13.94	-9.07
	201.00	-08.00	120	A1b	16.42	-14.90	-9.48
0.9D - 1.0Ev + 1.0Eh 240 deg M1	0.00	00.00		1	-0.01	76.76	-0.02
	190.00	07.00	0	A1	0.00	-14.77	19.42
	190.00	03.00	240	A1a	-15.63	-13.84	-9.02
	201.00	-08.00	120	A1b	16.81	-15.33	-9.70
0.9D - 1.0Ev + 1.0Eh 300 deg M1	0.00	00.00		1	-0.01	76.73	0.00
	190.00	07.00	0	A1	0.00	-13.89	18.49
	190.00	03.00	240	A1a	-16.00	-14.26	-9.24
	201.00	-08.00	120	A1b	17.18	-15.76	-9.92
0.9D - 1.0Ev + 1.0Eh 330 deg M1	0.00	00.00		1	0.00	76.73	0.01
	190.00	07.00	0	A1	0.00	-13.54	18.13
	190.00	03.00	240	A1a	-16.40	-14.71	-9.47
	201.00	-08.00	120	A1b	17.10	-15.67	-9.87
1.0D + 1.0W Service Normal	0.00	00.00		1	0.01	83.80	-0.76
	190.00	07.00	0	A1	0.00	-7.19	9.51
	190.00	03.00	240	A1a	-21.37	-19.39	-12.76
	201.00	-08.00	120	A1b	21.35	-19.59	-12.77
1.0D + 1.0W Service 60 deg	0.00	00.00		1	-0.64	84.10	-0.38
	190.00	07.00	0	A1	-0.36	-11.39	14.80
	190.00	03.00	240	A1a	-25.91	-23.47	-14.96
	201.00	-08.00	120	A1b	12.62	-11.83	-7.72
1.0D + 1.0W Service 90 deg	0.00	00.00		1	-0.74	83.98	-0.01

Site Number: 6310

Code:

ANSI/TIA-222-H

© 2007 - 2021 by ATC IP LLC. All rights reserved.

Site Name: FRANKLIN CT, CT

Engineering Number: 13626843_C3_03

3/24/2021 5:18:11 PM

Customer: AT&T MOBILITY

	190.00	07.00	0	A1	-0.45	-15.19	19.96
	190.00	03.00	240	A1a	-24.97	-22.43	-14.21
	201.00	-08.00	120	A1b	9.59	-8.86	-5.75
1.0D + 1.0W Service 120 deg	0.00	00.00		1	-0.65	83.94	0.37
	190.00	07.00	0	A1	-0.37	-19.05	25.20
	190.00	03.00	240	A1a	-22.00	-19.56	-12.28
	201.00	-08.00	120	A1b	8.57	-7.74	-4.95
1.0D + 1.0W Service 180 deg	0.00	00.00		1	0.01	84.01	0.74
	190.00	07.00	0	A1	0.00	-22.93	30.00
	190.00	03.00	240	A1a	-13.07	-11.77	-7.13
	201.00	-08.00	120	A1b	13.07	-11.89	-7.12
1.0D + 1.0W Service 210 deg	0.00	00.00		1	0.38	83.79	0.65
	190.00	07.00	0	A1	0.18	-21.82	28.62
	190.00	03.00	240	A1a	-9.68	-8.74	-5.39
	201.00	-08.00	120	A1b	17.42	-15.73	-9.52
1.0D + 1.0W Service 240 deg	0.00	00.00		1	0.66	83.65	0.37
	190.00	07.00	0	A1	0.37	-18.92	24.93
	190.00	03.00	240	A1a	-8.33	-7.50	-4.81
	201.00	-08.00	120	A1b	21.76	-19.62	-12.13
1.0D + 1.0W Service 300 deg	0.00	00.00		1	0.66	83.64	-0.38
	190.00	07.00	0	A1	0.36	-11.22	14.51
	190.00	03.00	240	A1a	-12.38	-11.53	-7.57
	201.00	-08.00	120	A1b	25.60	-23.46	-14.78
1.0D + 1.0W Service 330 deg	0.00	00.00		1	0.39	83.63	-0.65
	190.00	07.00	0	A1	0.17	-8.31	10.82
	190.00	03.00	240	A1a	-16.73	-15.37	-10.18
	201.00	-08.00	120	A1b	24.44	-22.42	-14.33

Site Number: 6310

Code: ANSI/TIA-222-H

© 2007 - 2021 by ATC IP LLC. All rights reserved.

Site Name: FRANKLIN CT, CT

Engineering Number: 13626843_C3_03

3/24/2021 5:18:11 PM

Customer: AT&T MOBILITY

Guy Anchor Design Loads

Radius (ft)	Drop (ft)	Azimuth (°)	Uplift (kip)	Shear (kip)
190.00	7.00	0	61.93	79.42
190.00	3.00	240	63.73	79.70
201.00	-8.00	120	64.02	79.27

Maximum Cable Forces Summary

Load Case	Elevation (ft)	Cable	Anchor Node	Tower Node	Allow Tension (kip)	Applied Tension (kip)	Use %
1.2D + 1.0W 90 deg	59.79	3/4 EHS	A1a	22b	34.98	18.82	54
1.2D + 1.0W 90 deg	124.12	3/4 EHS	A1a	46b	34.98	26.36	75
1.2D + 1.0W 90 deg	184.11	3/4 EHS	A1a	67b	34.98	26.91	77
1.2D + 1.0W 60 deg	244.11	3/4 EHS	A1a	88b	34.98	20.86	60
1.2D + 1.0W 60 deg	291.95	5/8 EHS	A1a	104b	25.44	13.12	52

Maximum Torque Arm Stress Summary

Load Case	Elevation (ft)	Member	Type	Compression %	Tension %
1.2D + 1.0W Normal	59.75	PL 4.5 x 0.375"	Horiz		19
1.2D + 1.0W Normal	124.00	PL 4.5 x 0.375"	Horiz		22
1.2D + 1.0W Normal	184.00	PL 4.5 x 0.375"	Horiz		20
1.2D + 1.0W Normal	244.00	PL 4.5 x 0.375"	Horiz		12
1.2D + 1.0W Normal	292.00	PL 4.5 x 0.375"	Horiz		7

Site Number: 6310
 Site Name: FRANKLIN CT, CT
 Customer: AT&T MOBILITY

Code: ANSI/TIA-222-H
 Engineering Number: 13626843_C3_03

© 2007 - 2021 by ATC IP LLC. All rights reserved.

3/24/2021 5:18:11 PM

Deflections and Rotations

Load Case	Elevation (ft)	Deflection (ft)	Twist (deg)	Sway (deg)	Resultant (deg)
123 mph Normal with No Ice	80.00	0.794	-0.0364	0.7218	0.7227
123 mph Normal with No Ice	80.20	0.796	-0.0365	0.7085	0.7094
123 mph Normal with No Ice	104.12	1.018	-0.0383	0.4173	0.4190
123 mph Normal with No Ice	115.88	1.095	-0.0382	0.3910	0.3929
123 mph Normal with No Ice	124.12	1.142	-0.0377	0.5052	0.5066
123 mph Normal with No Ice	128.04	1.184	-0.0385	0.6527	0.6544
123 mph Normal with No Ice	160.00	1.490	-0.0450	0.4418	0.4441
123 mph Normal with No Ice	168.04	1.535	-0.0454	0.2550	0.2600
123 mph Normal with No Ice	180.00	1.566	-0.0447	0.1057	0.1148
123 mph Normal with No Ice	195.88	1.611	-0.0461	0.1323	0.1401
123 mph Normal with No Ice	211.96	1.618	-0.0471	0.0529	0.0713
123 mph Normal with No Ice	215.88	1.614	-0.0473	0.0719	0.0863
123 mph Normal with No Ice	228.04	1.582	-0.0471	0.2011	0.2078
123 mph Normal with No Ice	231.96	1.567	-0.0469	0.2299	0.2358
123 mph Normal with No Ice	240.20	1.531	-0.0467	0.3832	0.3860
123 mph Normal with No Ice	268.04	1.461	-0.0474	0.1251	0.1338
123 mph Normal with No Ice	275.88	1.443	-0.0476	0.1357	0.1438
123 mph Normal with No Ice	288.04	1.412	-0.0480	0.1665	0.1733
123 mph Normal with No Ice	295.88	1.392	-0.0481	0.2623	0.2666
123 mph Normal with No Ice	300.00	1.385	-0.0481	0.5144	0.5169
123 mph 60 degree with No Ice	80.00	0.450	-0.0299	0.4334	0.4341
123 mph 60 degree with No Ice	80.20	0.452	-0.0298	0.4248	0.4256
123 mph 60 degree with No Ice	104.12	0.570	-0.0322	0.1910	0.1931
123 mph 60 degree with No Ice	115.88	0.603	-0.0351	0.1877	0.1898
123 mph 60 degree with No Ice	124.12	0.623	-0.0302	0.3144	0.3158
123 mph 60 degree with No Ice	128.04	0.651	-0.0366	0.4444	0.4454
123 mph 60 degree with No Ice	160.00	0.871	-0.0333	0.3198	0.3212
123 mph 60 degree with No Ice	168.04	0.906	-0.0341	0.1780	0.1809
123 mph 60 degree with No Ice	180.00	0.923	-0.0371	0.1289	0.1332
123 mph 60 degree with No Ice	195.88	0.964	-0.0358	0.1460	0.1503
123 mph 60 degree with No Ice	211.96	0.983	-0.0335	0.0227	0.0420
123 mph 60 degree with No Ice	215.88	0.984	-0.0340	0.0169	0.0395
123 mph 60 degree with No Ice	228.04	0.973	-0.0402	0.0827	0.0919
123 mph 60 degree with No Ice	231.96	0.967	-0.0415	0.1027	0.1108
123 mph 60 degree with No Ice	240.20	0.951	-0.0413	0.2158	0.2192
123 mph 60 degree with No Ice	268.04	0.955	-0.0397	0.0402	0.0567
123 mph 60 degree with No Ice	275.88	0.960	-0.0396	0.0308	0.0507
123 mph 60 degree with No Ice	288.04	0.964	-0.0397	0.0172	0.0434
123 mph 60 degree with No Ice	295.88	0.967	-0.0391	0.1277	0.1336
123 mph 60 degree with No Ice	300.00	0.967	-0.0400	0.6050	0.6063
123 mph 90 degree with No Ice	80.00	0.657	0.2526	0.6193	0.6688
123 mph 90 degree with No Ice	80.20	0.659	0.2535	0.6075	0.6583
123 mph 90 degree with No Ice	104.12	0.845	0.2381	0.3566	0.4272
123 mph 90 degree with No Ice	115.88	0.906	0.1651	0.3356	0.3721
123 mph 90 degree with No Ice	124.12	0.943	0.1152	0.4445	0.4575
123 mph 90 degree with No Ice	128.04	0.981	0.1305	0.5991	0.6129
123 mph 90 degree with No Ice	160.00	1.263	0.2379	0.3961	0.4620
123 mph 90 degree with No Ice	168.04	1.304	0.1938	0.2423	0.3077
123 mph 90 degree with No Ice	180.00	1.333	0.1930	0.1238	0.2248
123 mph 90 degree with No Ice	195.88	1.377	0.2170	0.1400	0.2582
123 mph 90 degree with No Ice	211.96	1.387	0.2142	0.0410	0.2181
123 mph 90 degree with No Ice	215.88	1.383	0.2129	0.0566	0.2202
123 mph 90 degree with No Ice	228.04	1.361	0.2838	0.1740	0.3250
123 mph 90 degree with No Ice	231.96	1.352	0.3195	0.1995	0.3713
123 mph 90 degree with No Ice	240.20	1.323	0.3518	0.3280	0.4793

Site Number: 6310

Code:

ANSI/TIA-222-H

© 2007 - 2021 by ATC IP LLC. All rights reserved.

Site Name: FRANKLIN CT, CT

Engineering Number: 13626843_C3_03

3/24/2021 5:18:11 PM

Customer: AT&T MOBILITY

123 mph 90 degree with No Ice	268.04	1.271	0.3578	0.1180	0.3766
123 mph 90 degree with No Ice	275.88	1.258	0.3572	0.1282	0.3794
123 mph 90 degree with No Ice	288.04	1.234	0.3562	0.1447	0.3844
123 mph 90 degree with No Ice	295.88	1.218	0.3565	0.1138	0.3733
123 mph 90 degree with No Ice	300.00	1.207	0.3567	0.7065	0.7903
123 mph 120 degree with No Ice	80.00	0.746	0.0008	0.6909	0.6909
123 mph 120 degree with No Ice	80.20	0.748	0.0006	0.6778	0.6778
123 mph 120 degree with No Ice	104.12	0.959	0.0015	0.3973	0.3974
123 mph 120 degree with No Ice	115.88	1.032	0.0028	0.3767	0.3767
123 mph 120 degree with No Ice	124.12	1.078	0.0025	0.4959	0.4959
123 mph 120 degree with No Ice	128.04	1.120	0.0039	0.6456	0.6458
123 mph 120 degree with No Ice	160.00	1.426	-0.0044	0.4506	0.4507
123 mph 120 degree with No Ice	168.04	1.472	-0.0021	0.2657	0.2660
123 mph 120 degree with No Ice	180.00	1.506	-0.0005	0.0893	0.0896
123 mph 120 degree with No Ice	195.88	1.557	-0.0030	0.1537	0.1539
123 mph 120 degree with No Ice	211.96	1.571	-0.0065	0.0251	0.0265
123 mph 120 degree with No Ice	215.88	1.568	-0.0067	0.0441	0.0454
123 mph 120 degree with No Ice	228.04	1.541	-0.0030	0.1725	0.1731
123 mph 120 degree with No Ice	231.96	1.529	-0.0026	0.2014	0.2019
123 mph 120 degree with No Ice	240.20	1.497	-0.0040	0.3528	0.3529
123 mph 120 degree with No Ice	268.04	1.438	-0.0078	0.1040	0.1043
123 mph 120 degree with No Ice	275.88	1.423	-0.0077	0.1182	0.1185
123 mph 120 degree with No Ice	288.04	1.395	-0.0077	0.1435	0.1438
123 mph 120 degree with No Ice	295.88	1.377	-0.0074	0.1276	0.1279
123 mph 120 degree with No Ice	300.00	1.366	-0.0102	0.6779	0.6779
123 mph 180 degree with No Ice	80.00	0.440	0.0308	0.4221	0.4229
123 mph 180 degree with No Ice	80.20	0.442	0.0307	0.4136	0.4144
123 mph 180 degree with No Ice	104.12	0.555	0.0329	0.1798	0.1821
123 mph 180 degree with No Ice	115.88	0.586	0.0357	0.1765	0.1789
123 mph 180 degree with No Ice	124.12	0.605	0.0306	0.3034	0.3048
123 mph 180 degree with No Ice	128.04	0.632	0.0368	0.4330	0.4340
123 mph 180 degree with No Ice	160.00	0.846	0.0329	0.3087	0.3101
123 mph 180 degree with No Ice	168.04	0.879	0.0336	0.1688	0.1717
123 mph 180 degree with No Ice	180.00	0.894	0.0358	0.1370	0.1408
123 mph 180 degree with No Ice	195.88	0.933	0.0346	0.1412	0.1453
123 mph 180 degree with No Ice	211.96	0.951	0.0349	0.0218	0.0406
123 mph 180 degree with No Ice	215.88	0.952	0.0347	0.0179	0.0390
123 mph 180 degree with No Ice	228.04	0.942	0.0382	0.0801	0.0888
123 mph 180 degree with No Ice	231.96	0.936	0.0391	0.0989	0.1063
123 mph 180 degree with No Ice	240.20	0.920	0.0377	0.2103	0.2132
123 mph 180 degree with No Ice	268.04	0.930	0.0361	0.0561	0.0667
123 mph 180 degree with No Ice	275.88	0.937	0.0364	0.0498	0.0617
123 mph 180 degree with No Ice	288.04	0.946	0.0368	0.0308	0.0480
123 mph 180 degree with No Ice	295.88	0.953	0.0369	0.0727	0.0813
123 mph 180 degree with No Ice	300.00	0.959	0.0378	0.6984	0.6993
123 mph 210 degree with No Ice	80.00	0.662	0.3309	0.6136	0.6967
123 mph 210 degree with No Ice	80.20	0.664	0.3312	0.6020	0.6867
123 mph 210 degree with No Ice	104.12	0.847	0.2906	0.3520	0.4544
123 mph 210 degree with No Ice	115.88	0.906	0.2181	0.3281	0.3915
123 mph 210 degree with No Ice	124.12	0.942	0.1683	0.4332	0.4622
123 mph 210 degree with No Ice	128.04	0.980	0.1849	0.5871	0.6152
123 mph 210 degree with No Ice	160.00	1.252	0.3041	0.3771	0.4844
123 mph 210 degree with No Ice	168.04	1.290	0.2629	0.2235	0.3430
123 mph 210 degree with No Ice	180.00	1.316	0.2626	0.1297	0.2927
123 mph 210 degree with No Ice	195.88	1.355	0.2909	0.1260	0.3171
123 mph 210 degree with No Ice	211.96	1.358	0.2898	0.0673	0.2975
123 mph 210 degree with No Ice	215.88	1.354	0.2888	0.0824	0.3003
123 mph 210 degree with No Ice	228.04	1.328	0.3615	0.1987	0.4042
123 mph 210 degree with No Ice	231.96	1.317	0.3977	0.2232	0.4499
123 mph 210 degree with No Ice	240.20	1.286	0.4300	0.3488	0.5519
123 mph 210 degree with No Ice	268.04	1.228	0.4370	0.1498	0.4619
123 mph 210 degree with No Ice	275.88	1.214	0.4367	0.1585	0.4644

Site Number: 6310

Code:

ANSI/TIA-222-H

© 2007 - 2021 by ATC IP LLC. All rights reserved.

Site Name: FRANKLIN CT, CT

Engineering Number: 13626843_C3_03

3/24/2021 5:18:11 PM

Customer: AT&T MOBILITY

123 mph 210 degree with No Ice	288.04	1.190	0.4361	0.1758	0.4702
123 mph 210 degree with No Ice	295.88	1.174	0.4357	0.1625	0.4644
123 mph 210 degree with No Ice	300.00	1.168	0.4371	0.7474	0.8643
123 mph 240 degree with No Ice	80.00	0.783	0.0434	0.7129	0.7140
123 mph 240 degree with No Ice	80.20	0.785	0.0433	0.6996	0.7007
123 mph 240 degree with No Ice	104.12	1.004	0.0470	0.4110	0.4132
123 mph 240 degree with No Ice	115.88	1.080	0.0496	0.3860	0.3883
123 mph 240 degree with No Ice	124.12	1.126	0.0496	0.5012	0.5030
123 mph 240 degree with No Ice	128.04	1.168	0.0522	0.6494	0.6515
123 mph 240 degree with No Ice	160.00	1.473	0.0551	0.4415	0.4445
123 mph 240 degree with No Ice	168.04	1.518	0.0578	0.2547	0.2612
123 mph 240 degree with No Ice	180.00	1.549	0.0589	0.1045	0.1168
123 mph 240 degree with No Ice	195.88	1.595	0.0602	0.1329	0.1436
123 mph 240 degree with No Ice	211.96	1.602	0.0579	0.0529	0.0775
123 mph 240 degree with No Ice	215.88	1.597	0.0580	0.0729	0.0923
123 mph 240 degree with No Ice	228.04	1.565	0.0612	0.2033	0.2123
123 mph 240 degree with No Ice	231.96	1.550	0.0613	0.2329	0.2408
123 mph 240 degree with No Ice	240.20	1.513	0.0589	0.3869	0.3907
123 mph 240 degree with No Ice	268.04	1.439	0.0556	0.1409	0.1514
123 mph 240 degree with No Ice	275.88	1.419	0.0560	0.1553	0.1650
123 mph 240 degree with No Ice	288.04	1.383	0.0563	0.1807	0.1893
123 mph 240 degree with No Ice	295.88	1.360	0.0561	0.1412	0.1519
123 mph 240 degree with No Ice	300.00	1.347	0.0581	0.7148	0.7172
123 mph 300 degree with No Ice	80.00	0.484	0.0015	0.4557	0.4557
123 mph 300 degree with No Ice	80.20	0.486	0.0014	0.4470	0.4470
123 mph 300 degree with No Ice	104.12	0.611	0.0033	0.2059	0.2059
123 mph 300 degree with No Ice	115.88	0.648	0.0060	0.1985	0.1985
123 mph 300 degree with No Ice	124.12	0.669	0.0009	0.3218	0.3218
123 mph 300 degree with No Ice	128.04	0.698	0.0071	0.4502	0.4502
123 mph 300 degree with No Ice	160.00	0.917	0.0023	0.3137	0.3137
123 mph 300 degree with No Ice	168.04	0.951	0.0027	0.1694	0.1694
123 mph 300 degree with No Ice	180.00	0.965	0.0049	0.1409	0.1409
123 mph 300 degree with No Ice	195.88	1.002	0.0029	0.1269	0.1269
123 mph 300 degree with No Ice	211.96	1.015	0.0027	0.0037	0.0046
123 mph 300 degree with No Ice	215.88	1.014	0.0023	0.0123	0.0124
123 mph 300 degree with No Ice	228.04	0.998	0.0060	0.1107	0.1109
123 mph 300 degree with No Ice	231.96	0.990	0.0072	0.1314	0.1316
123 mph 300 degree with No Ice	240.20	0.969	0.0065	0.2473	0.2473
123 mph 300 degree with No Ice	268.04	0.958	0.0045	0.0155	0.0161
123 mph 300 degree with No Ice	275.88	0.959	0.0046	0.0153	0.0160
123 mph 300 degree with No Ice	288.04	0.957	0.0046	0.0218	0.0223
123 mph 300 degree with No Ice	295.88	0.955	0.0046	0.1017	0.1017
123 mph 300 degree with No Ice	300.00	0.954	0.0047	0.6223	0.6224
123 mph 330 degree with No Ice	80.00	0.706	0.2555	0.6482	0.6967
123 mph 330 degree with No Ice	80.20	0.709	0.2565	0.6361	0.6859
123 mph 330 degree with No Ice	104.12	0.904	0.2403	0.3735	0.4426
123 mph 330 degree with No Ice	115.88	0.967	0.1677	0.3469	0.3835
123 mph 330 degree with No Ice	124.12	1.006	0.1183	0.4506	0.4641
123 mph 330 degree with No Ice	128.04	1.044	0.1339	0.6027	0.6171
123 mph 330 degree with No Ice	160.00	1.324	0.2458	0.3834	0.4554
123 mph 330 degree with No Ice	168.04	1.363	0.2033	0.2276	0.3027
123 mph 330 degree with No Ice	180.00	1.389	0.2030	0.1383	0.2433
123 mph 330 degree with No Ice	195.88	1.424	0.1997	0.1062	0.2262
123 mph 330 degree with No Ice	211.96	1.425	0.1945	0.0651	0.2051
123 mph 330 degree with No Ice	215.88	1.420	0.1933	0.0827	0.2102
123 mph 330 degree with No Ice	228.04	1.392	0.2675	0.2034	0.3285
123 mph 330 degree with No Ice	231.96	1.380	0.3046	0.2291	0.3756
123 mph 330 degree with No Ice	240.20	1.347	0.3389	0.3609	0.4935
123 mph 330 degree with No Ice	268.04	1.282	0.3457	0.1287	0.3688
123 mph 330 degree with No Ice	275.88	1.266	0.3452	0.1364	0.3711
123 mph 330 degree with No Ice	288.04	1.238	0.3443	0.1613	0.3800
123 mph 330 degree with No Ice	295.88	1.220	0.3441	0.2629	0.4330

Site Number: 6310

Code:

ANSI/TIA-222-H

© 2007 - 2021 by ATC IP LLC. All rights reserved.

Site Name: FRANKLIN CT, CT

Engineering Number: 13626843_C3_03

3/24/2021 5:18:11 PM

Customer: AT&T MOBILITY

123 mph 330 degree with No Ice	300.00	1.214	0.3461	0.5279	0.6286
50 mph Normal with 1.00 in Radial Ice	80.00	0.198	-0.0135	0.2071	0.2076
50 mph Normal with 1.00 in Radial Ice	80.20	0.198	-0.0135	0.2030	0.2035
50 mph Normal with 1.00 in Radial Ice	104.12	0.247	-0.0157	0.0662	0.0687
50 mph Normal with 1.00 in Radial Ice	115.88	0.253	-0.0170	0.0315	0.0358
50 mph Normal with 1.00 in Radial Ice	124.12	0.254	-0.0178	0.0779	0.0801
50 mph Normal with 1.00 in Radial Ice	128.04	0.263	-0.0186	0.1414	0.1433
50 mph Normal with 1.00 in Radial Ice	160.00	0.306	-0.0230	0.0212	0.0313
50 mph Normal with 1.00 in Radial Ice	168.04	0.305	-0.0236	0.0277	0.0365
50 mph Normal with 1.00 in Radial Ice	180.00	0.295	-0.0243	0.1577	0.1596
50 mph Normal with 1.00 in Radial Ice	195.88	0.271	-0.0251	0.0955	0.0987
50 mph Normal with 1.00 in Radial Ice	211.96	0.238	-0.0260	0.1527	0.1549
50 mph Normal with 1.00 in Radial Ice	215.88	0.227	-0.0262	0.1629	0.1648
50 mph Normal with 1.00 in Radial Ice	228.04	0.188	-0.0269	0.2043	0.2059
50 mph Normal with 1.00 in Radial Ice	231.96	0.174	-0.0271	0.2153	0.2170
50 mph Normal with 1.00 in Radial Ice	240.20	0.143	-0.0276	0.2706	0.2720
50 mph Normal with 1.00 in Radial Ice	268.04	0.051	-0.0286	0.2248	0.2266
50 mph Normal with 1.00 in Radial Ice	275.88	0.041	-0.0288	0.2311	0.2329
50 mph Normal with 1.00 in Radial Ice	288.04	0.067	-0.0292	0.2476	0.2493
50 mph Normal with 1.00 in Radial Ice	295.88	0.095	-0.0293	0.2830	0.2845
50 mph Normal with 1.00 in Radial Ice	300.00	0.110	-0.0293	0.0434	0.0530
50 mph 60 deg with 1.00 in Radial Ice	80.00	0.166	-0.0285	0.1748	0.1766
50 mph 60 deg with 1.00 in Radial Ice	80.20	0.167	-0.0284	0.1722	0.1741
50 mph 60 deg with 1.00 in Radial Ice	104.12	0.208	-0.0300	0.0414	0.0505
50 mph 60 deg with 1.00 in Radial Ice	115.88	0.214	-0.0310	0.0377	0.0467
50 mph 60 deg with 1.00 in Radial Ice	124.12	0.217	-0.0282	0.0939	0.0976
50 mph 60 deg with 1.00 in Radial Ice	128.04	0.226	-0.0312	0.1566	0.1590
50 mph 60 deg with 1.00 in Radial Ice	160.00	0.292	-0.0293	0.0821	0.0873
50 mph 60 deg with 1.00 in Radial Ice	168.04	0.301	-0.0294	0.0531	0.0610
50 mph 60 deg with 1.00 in Radial Ice	180.00	0.308	-0.0314	0.0479	0.0573
50 mph 60 deg with 1.00 in Radial Ice	195.88	0.316	-0.0310	0.0361	0.0479
50 mph 60 deg with 1.00 in Radial Ice	211.96	0.323	-0.0317	0.0116	0.0347
50 mph 60 deg with 1.00 in Radial Ice	215.88	0.323	-0.0319	0.0096	0.0340
50 mph 60 deg with 1.00 in Radial Ice	228.04	0.321	-0.0327	0.0212	0.0393
50 mph 60 deg with 1.00 in Radial Ice	231.96	0.319	-0.0329	0.0261	0.0423
50 mph 60 deg with 1.00 in Radial Ice	240.20	0.316	-0.0333	0.0641	0.0724
50 mph 60 deg with 1.00 in Radial Ice	268.04	0.314	-0.0344	0.0068	0.0352
50 mph 60 deg with 1.00 in Radial Ice	275.88	0.314	-0.0346	0.0077	0.0356
50 mph 60 deg with 1.00 in Radial Ice	288.04	0.312	-0.0349	0.0159	0.0386
50 mph 60 deg with 1.00 in Radial Ice	295.88	0.310	-0.0349	0.0469	0.0588
50 mph 60 deg with 1.00 in Radial Ice	300.00	0.309	-0.0357	0.2259	0.2285
50 mph 90 deg with 1.00 in Radial Ice	80.00	0.195	0.2759	0.1939	0.3373
50 mph 90 deg with 1.00 in Radial Ice	80.20	0.196	0.2767	0.1897	0.3354
50 mph 90 deg with 1.00 in Radial Ice	104.12	0.240	0.2800	0.0548	0.2853
50 mph 90 deg with 1.00 in Radial Ice	115.88	0.246	0.2564	0.0420	0.2599
50 mph 90 deg with 1.00 in Radial Ice	124.12	0.246	0.2055	0.0881	0.2211
50 mph 90 deg with 1.00 in Radial Ice	128.04	0.255	0.1988	0.1508	0.2461
50 mph 90 deg with 1.00 in Radial Ice	160.00	0.309	0.1390	0.0662	0.1531
50 mph 90 deg with 1.00 in Radial Ice	168.04	0.314	0.1405	0.0408	0.1461
50 mph 90 deg with 1.00 in Radial Ice	180.00	0.315	0.1433	0.0911	0.1697
50 mph 90 deg with 1.00 in Radial Ice	195.88	0.311	0.1524	0.0560	0.1617
50 mph 90 deg with 1.00 in Radial Ice	211.96	0.302	0.1542	0.0876	0.1772
50 mph 90 deg with 1.00 in Radial Ice	215.88	0.298	0.1544	0.0942	0.1807
50 mph 90 deg with 1.00 in Radial Ice	228.04	0.282	0.1555	0.1229	0.1980
50 mph 90 deg with 1.00 in Radial Ice	231.96	0.277	0.1559	0.1309	0.2034
50 mph 90 deg with 1.00 in Radial Ice	240.20	0.263	0.1568	0.1739	0.2338
50 mph 90 deg with 1.00 in Radial Ice	268.04	0.233	0.1585	0.1346	0.2079
50 mph 90 deg with 1.00 in Radial Ice	275.88	0.227	0.1590	0.1403	0.2119
50 mph 90 deg with 1.00 in Radial Ice	288.04	0.219	0.1599	0.1498	0.2189
50 mph 90 deg with 1.00 in Radial Ice	295.88	0.216	0.1603	0.1253	0.2032
50 mph 90 deg with 1.00 in Radial Ice	300.00	0.214	0.1604	0.3516	0.3860
50 mph 120 deg with 1.00 in Radial Ice	80.00	0.200	0.0010	0.2106	0.2106

Site Number: 6310

Code:

ANSI/TIA-222-H

© 2007 - 2021 by ATC IP LLC. All rights reserved.

Site Name: FRANKLIN CT, CT

Engineering Number: 13626843_C3_03

3/24/2021 5:18:11 PM

Customer: AT&T MOBILITY

50 mph 120 deg with 1.00 in Radial Ice	80.20	0.201	0.0009	0.2065	0.2065
50 mph 120 deg with 1.00 in Radial Ice	104.12	0.251	0.0001	0.0727	0.0729
50 mph 120 deg with 1.00 in Radial Ice	115.88	0.259	0.0018	0.0394	0.0395
50 mph 120 deg with 1.00 in Radial Ice	124.12	0.261	0.0006	0.0876	0.0876
50 mph 120 deg with 1.00 in Radial Ice	128.04	0.271	0.0016	0.1516	0.1518
50 mph 120 deg with 1.00 in Radial Ice	160.00	0.321	-0.0034	0.0319	0.0321
50 mph 120 deg with 1.00 in Radial Ice	168.04	0.321	-0.0031	0.0121	0.0131
50 mph 120 deg with 1.00 in Radial Ice	180.00	0.314	-0.0021	0.1432	0.1433
50 mph 120 deg with 1.00 in Radial Ice	195.88	0.294	-0.0035	0.0817	0.0818
50 mph 120 deg with 1.00 in Radial Ice	211.96	0.263	-0.0037	0.1401	0.1402
50 mph 120 deg with 1.00 in Radial Ice	215.88	0.253	-0.0038	0.1507	0.1508
50 mph 120 deg with 1.00 in Radial Ice	228.04	0.216	-0.0041	0.1935	0.1935
50 mph 120 deg with 1.00 in Radial Ice	231.96	0.202	-0.0043	0.2051	0.2052
50 mph 120 deg with 1.00 in Radial Ice	240.20	0.171	-0.0043	0.2612	0.2613
50 mph 120 deg with 1.00 in Radial Ice	268.04	0.068	-0.0046	0.2208	0.2208
50 mph 120 deg with 1.00 in Radial Ice	275.88	0.038	-0.0046	0.2286	0.2287
50 mph 120 deg with 1.00 in Radial Ice	288.04	0.015	-0.0046	0.2437	0.2438
50 mph 120 deg with 1.00 in Radial Ice	295.88	0.047	-0.0043	0.2245	0.2246
50 mph 120 deg with 1.00 in Radial Ice	300.00	0.064	-0.0057	0.4040	0.4041
50 mph 180 deg with 1.00 in Radial Ice	80.00	0.161	0.0181	0.1717	0.1722
50 mph 180 deg with 1.00 in Radial Ice	80.20	0.162	0.0180	0.1691	0.1697
50 mph 180 deg with 1.00 in Radial Ice	104.12	0.201	0.0200	0.0379	0.0418
50 mph 180 deg with 1.00 in Radial Ice	115.88	0.206	0.0215	0.0337	0.0379
50 mph 180 deg with 1.00 in Radial Ice	124.12	0.208	0.0189	0.0897	0.0915
50 mph 180 deg with 1.00 in Radial Ice	128.04	0.218	0.0218	0.1523	0.1533
50 mph 180 deg with 1.00 in Radial Ice	160.00	0.281	0.0205	0.0773	0.0798
50 mph 180 deg with 1.00 in Radial Ice	168.04	0.289	0.0211	0.0489	0.0530
50 mph 180 deg with 1.00 in Radial Ice	180.00	0.296	0.0219	0.0518	0.0563
50 mph 180 deg with 1.00 in Radial Ice	195.88	0.303	0.0223	0.0332	0.0397
50 mph 180 deg with 1.00 in Radial Ice	211.96	0.309	0.0231	0.0109	0.0255
50 mph 180 deg with 1.00 in Radial Ice	215.88	0.309	0.0232	0.0099	0.0251
50 mph 180 deg with 1.00 in Radial Ice	228.04	0.306	0.0236	0.0224	0.0324
50 mph 180 deg with 1.00 in Radial Ice	231.96	0.305	0.0237	0.0268	0.0358
50 mph 180 deg with 1.00 in Radial Ice	240.20	0.301	0.0242	0.0640	0.0683
50 mph 180 deg with 1.00 in Radial Ice	268.04	0.301	0.0249	0.0121	0.0276
50 mph 180 deg with 1.00 in Radial Ice	275.88	0.301	0.0251	0.0111	0.0273
50 mph 180 deg with 1.00 in Radial Ice	288.04	0.301	0.0256	0.0142	0.0293
50 mph 180 deg with 1.00 in Radial Ice	295.88	0.301	0.0256	0.0496	0.0557
50 mph 180 deg with 1.00 in Radial Ice	300.00	0.302	0.0266	0.2445	0.2458
50 mph 210 deg with 1.00 in Radial Ice	80.00	0.185	0.3253	0.1825	0.3730
50 mph 210 deg with 1.00 in Radial Ice	80.20	0.186	0.3260	0.1783	0.3716
50 mph 210 deg with 1.00 in Radial Ice	104.12	0.225	0.3308	0.0419	0.3334
50 mph 210 deg with 1.00 in Radial Ice	115.88	0.229	0.3073	0.0373	0.3096
50 mph 210 deg with 1.00 in Radial Ice	124.12	0.227	0.2565	0.0771	0.2656
50 mph 210 deg with 1.00 in Radial Ice	128.04	0.236	0.2507	0.1380	0.2841
50 mph 210 deg with 1.00 in Radial Ice	160.00	0.284	0.1961	0.0649	0.2059
50 mph 210 deg with 1.00 in Radial Ice	168.04	0.288	0.1983	0.0500	0.2042
50 mph 210 deg with 1.00 in Radial Ice	180.00	0.287	0.2020	0.1062	0.2282
50 mph 210 deg with 1.00 in Radial Ice	195.88	0.283	0.2125	0.0750	0.2248
50 mph 210 deg with 1.00 in Radial Ice	211.96	0.275	0.2155	0.1059	0.2399
50 mph 210 deg with 1.00 in Radial Ice	215.88	0.272	0.2161	0.1121	0.2432
50 mph 210 deg with 1.00 in Radial Ice	228.04	0.259	0.2182	0.1389	0.2583
50 mph 210 deg with 1.00 in Radial Ice	231.96	0.255	0.2188	0.1463	0.2629
50 mph 210 deg with 1.00 in Radial Ice	240.20	0.246	0.2204	0.1865	0.2885
50 mph 210 deg with 1.00 in Radial Ice	268.04	0.237	0.2236	0.1509	0.2696
50 mph 210 deg with 1.00 in Radial Ice	275.88	0.239	0.2244	0.1556	0.2730
50 mph 210 deg with 1.00 in Radial Ice	288.04	0.245	0.2259	0.1649	0.2797
50 mph 210 deg with 1.00 in Radial Ice	295.88	0.252	0.2261	0.1585	0.2759
50 mph 210 deg with 1.00 in Radial Ice	300.00	0.258	0.2268	0.3311	0.4003
50 mph 240 deg with 1.00 in Radial Ice	80.00	0.194	0.0323	0.2027	0.2048
50 mph 240 deg with 1.00 in Radial Ice	80.20	0.195	0.0322	0.1986	0.2008
50 mph 240 deg with 1.00 in Radial Ice	104.12	0.241	0.0334	0.0629	0.0712

Site Number: 6310

Code:

ANSI/TIA-222-H

© 2007 - 2021 by ATC IP LLC. All rights reserved.

Site Name: FRANKLIN CT, CT

Engineering Number: 13626843_C3_03

3/24/2021 5:18:11 PM

Customer: AT&T MOBILITY

50 mph 240 deg with 1.00 in Radial Ice	115.88	0.247	0.0356	0.0287	0.0430
50 mph 240 deg with 1.00 in Radial Ice	124.12	0.248	0.0348	0.0757	0.0826
50 mph 240 deg with 1.00 in Radial Ice	128.04	0.257	0.0368	0.1394	0.1442
50 mph 240 deg with 1.00 in Radial Ice	160.00	0.299	0.0373	0.0194	0.0415
50 mph 240 deg with 1.00 in Radial Ice	168.04	0.298	0.0381	0.0278	0.0469
50 mph 240 deg with 1.00 in Radial Ice	180.00	0.287	0.0398	0.1581	0.1625
50 mph 240 deg with 1.00 in Radial Ice	195.88	0.264	0.0391	0.0959	0.1033
50 mph 240 deg with 1.00 in Radial Ice	211.96	0.230	0.0399	0.1534	0.1584
50 mph 240 deg with 1.00 in Radial Ice	215.88	0.219	0.0400	0.1638	0.1683
50 mph 240 deg with 1.00 in Radial Ice	228.04	0.179	0.0404	0.2058	0.2095
50 mph 240 deg with 1.00 in Radial Ice	231.96	0.165	0.0405	0.2171	0.2207
50 mph 240 deg with 1.00 in Radial Ice	240.20	0.134	0.0409	0.2725	0.2755
50 mph 240 deg with 1.00 in Radial Ice	268.04	0.040	0.0416	0.2304	0.2341
50 mph 240 deg with 1.00 in Radial Ice	275.88	0.038	0.0418	0.2381	0.2417
50 mph 240 deg with 1.00 in Radial Ice	288.04	0.075	0.0422	0.2525	0.2560
50 mph 240 deg with 1.00 in Radial Ice	295.88	0.107	0.0421	0.2292	0.2330
50 mph 240 deg with 1.00 in Radial Ice	300.00	0.124	0.0431	0.4225	0.4247
50 mph 300 deg with 1.00 in Radial Ice	80.00	0.174	0.0043	0.1758	0.1758
50 mph 300 deg with 1.00 in Radial Ice	80.20	0.175	0.0042	0.1732	0.1732
50 mph 300 deg with 1.00 in Radial Ice	104.12	0.215	0.0053	0.0381	0.0384
50 mph 300 deg with 1.00 in Radial Ice	115.88	0.220	0.0063	0.0323	0.0324
50 mph 300 deg with 1.00 in Radial Ice	124.12	0.222	0.0034	0.0870	0.0870
50 mph 300 deg with 1.00 in Radial Ice	128.04	0.231	0.0062	0.1491	0.1491
50 mph 300 deg with 1.00 in Radial Ice	160.00	0.291	0.0032	0.0679	0.0679
50 mph 300 deg with 1.00 in Radial Ice	168.04	0.297	0.0035	0.0366	0.0367
50 mph 300 deg with 1.00 in Radial Ice	180.00	0.302	0.0038	0.0637	0.0638
50 mph 300 deg with 1.00 in Radial Ice	195.88	0.303	0.0037	0.0122	0.0126
50 mph 300 deg with 1.00 in Radial Ice	211.96	0.303	0.0039	0.0198	0.0201
50 mph 300 deg with 1.00 in Radial Ice	215.88	0.301	0.0039	0.0254	0.0257
50 mph 300 deg with 1.00 in Radial Ice	228.04	0.293	0.0039	0.0491	0.0492
50 mph 300 deg with 1.00 in Radial Ice	231.96	0.289	0.0038	0.0551	0.0552
50 mph 300 deg with 1.00 in Radial Ice	240.20	0.281	0.0040	0.0959	0.0960
50 mph 300 deg with 1.00 in Radial Ice	268.04	0.262	0.0040	0.0346	0.0348
50 mph 300 deg with 1.00 in Radial Ice	275.88	0.257	0.0041	0.0401	0.0403
50 mph 300 deg with 1.00 in Radial Ice	288.04	0.248	0.0043	0.0497	0.0499
50 mph 300 deg with 1.00 in Radial Ice	295.88	0.242	0.0043	0.0440	0.0442
50 mph 300 deg with 1.00 in Radial Ice	300.00	0.238	0.0046	0.2535	0.2536
50 mph 330 deg with 1.00 in Radial Ice	80.00	0.197	0.2828	0.1894	0.3403
50 mph 330 deg with 1.00 in Radial Ice	80.20	0.197	0.2834	0.1847	0.3383
50 mph 330 deg with 1.00 in Radial Ice	104.12	0.240	0.2542	0.0482	0.2587
50 mph 330 deg with 1.00 in Radial Ice	115.88	0.246	0.2584	0.0313	0.2601
50 mph 330 deg with 1.00 in Radial Ice	124.12	0.245	0.2134	0.0770	0.2245
50 mph 330 deg with 1.00 in Radial Ice	128.04	0.253	0.2064	0.1388	0.2454
50 mph 330 deg with 1.00 in Radial Ice	160.00	0.299	0.1458	0.0508	0.1536
50 mph 330 deg with 1.00 in Radial Ice	168.04	0.302	0.1474	0.0314	0.1505
50 mph 330 deg with 1.00 in Radial Ice	180.00	0.299	0.1503	0.1092	0.1858
50 mph 330 deg with 1.00 in Radial Ice	195.88	0.290	0.1598	0.0612	0.1704
50 mph 330 deg with 1.00 in Radial Ice	211.96	0.275	0.1617	0.0992	0.1895
50 mph 330 deg with 1.00 in Radial Ice	215.88	0.269	0.1620	0.1059	0.1936
50 mph 330 deg with 1.00 in Radial Ice	228.04	0.249	0.1632	0.1364	0.2125
50 mph 330 deg with 1.00 in Radial Ice	231.96	0.242	0.1636	0.1446	0.2181
50 mph 330 deg with 1.00 in Radial Ice	240.20	0.225	0.1646	0.1895	0.2506
50 mph 330 deg with 1.00 in Radial Ice	268.04	0.185	0.1664	0.1412	0.2181
50 mph 330 deg with 1.00 in Radial Ice	275.88	0.177	0.1670	0.1459	0.2216
50 mph 330 deg with 1.00 in Radial Ice	288.04	0.167	0.1679	0.1588	0.2310
50 mph 330 deg with 1.00 in Radial Ice	295.88	0.164	0.1683	0.1931	0.2562
50 mph 330 deg with 1.00 in Radial Ice	300.00	0.163	0.1689	0.1355	0.2149
Seismic Normal M1	80.00	0.006	0.0000	0.0072	0.0072
Seismic Normal M1	80.20	0.006	0.0000	0.0073	0.0073
Seismic Normal M1	104.12	0.009	0.0000	0.0087	0.0087
Seismic Normal M1	115.88	0.011	0.0000	0.0097	0.0097
Seismic Normal M1	124.12	0.012	0.0000	0.0120	0.0120

Site Number: 6310

Code:

ANSI/TIA-222-H

© 2007 - 2021 by ATC IP LLC. All rights reserved.

Site Name: FRANKLIN CT, CT

Engineering Number: 13626843_C3_03

3/24/2021 5:18:11 PM

Customer: AT&T MOBILITY

Seismic Normal M1	128.04	0.013	0.0000	0.0134	0.0134
Seismic Normal M1	160.00	0.020	0.0000	0.0128	0.0128
Seismic Normal M1	168.04	0.021	0.0000	0.0092	0.0092
Seismic Normal M1	180.00	0.023	0.0000	0.0034	0.0034
Seismic Normal M1	195.88	0.024	0.0000	0.0064	0.0064
Seismic Normal M1	211.96	0.026	0.0000	0.0033	0.0033
Seismic Normal M1	215.88	0.026	0.0000	0.0033	0.0033
Seismic Normal M1	228.04	0.026	0.0000	0.0024	0.0024
Seismic Normal M1	231.96	0.026	0.0000	0.0025	0.0025
Seismic Normal M1	240.20	0.026	0.0000	0.0058	0.0058
Seismic Normal M1	268.04	0.026	0.0000	0.0025	0.0025
Seismic Normal M1	275.88	0.026	0.0000	0.0024	0.0024
Seismic Normal M1	288.04	0.026	0.0000	0.0032	0.0032
Seismic Normal M1	295.88	0.026	0.0000	0.0028	0.0028
Seismic Normal M1	300.00	0.026	0.0000	0.0026	0.0026
Seismic 60 deg M1	80.00	0.004	0.0000	0.0073	0.0073
Seismic 60 deg M1	80.20	0.004	0.0000	0.0072	0.0072
Seismic 60 deg M1	104.12	0.007	-0.0001	0.0092	0.0092
Seismic 60 deg M1	115.88	0.009	-0.0001	0.0111	0.0111
Seismic 60 deg M1	124.12	0.011	0.0000	0.0131	0.0131
Seismic 60 deg M1	128.04	0.012	-0.0001	0.0153	0.0153
Seismic 60 deg M1	160.00	0.020	0.0000	0.0151	0.0151
Seismic 60 deg M1	168.04	0.021	0.0000	0.0115	0.0115
Seismic 60 deg M1	180.00	0.023	0.0000	0.0053	0.0053
Seismic 60 deg M1	195.88	0.026	0.0000	0.0090	0.0090
Seismic 60 deg M1	211.96	0.028	0.0000	0.0058	0.0058
Seismic 60 deg M1	215.88	0.028	0.0000	0.0056	0.0056
Seismic 60 deg M1	228.04	0.029	0.0000	0.0034	0.0034
Seismic 60 deg M1	231.96	0.029	0.0000	0.0030	0.0030
Seismic 60 deg M1	240.20	0.030	0.0000	0.0031	0.0031
Seismic 60 deg M1	268.04	0.031	0.0000	0.0044	0.0044
Seismic 60 deg M1	275.88	0.032	0.0000	0.0037	0.0037
Seismic 60 deg M1	288.04	0.032	0.0000	0.0029	0.0029
Seismic 60 deg M1	295.88	0.033	0.0000	0.0034	0.0034
Seismic 60 deg M1	300.00	0.033	0.0000	0.0035	0.0035
Seismic 90 deg M1	80.00	0.004	0.0000	0.0074	0.0074
Seismic 90 deg M1	80.20	0.004	0.0000	0.0073	0.0073
Seismic 90 deg M1	104.12	0.007	-0.0001	0.0098	0.0098
Seismic 90 deg M1	115.88	0.009	-0.0001	0.0115	0.0115
Seismic 90 deg M1	124.12	0.010	0.0000	0.0140	0.0140
Seismic 90 deg M1	128.04	0.011	0.0000	0.0158	0.0158
Seismic 90 deg M1	160.00	0.020	0.0000	0.0158	0.0158
Seismic 90 deg M1	168.04	0.022	0.0000	0.0122	0.0122
Seismic 90 deg M1	180.00	0.024	0.0000	0.0059	0.0059
Seismic 90 deg M1	195.88	0.027	0.0000	0.0097	0.0097
Seismic 90 deg M1	211.96	0.029	0.0000	0.0063	0.0063
Seismic 90 deg M1	215.88	0.029	0.0000	0.0061	0.0061
Seismic 90 deg M1	228.04	0.030	0.0000	0.0036	0.0036
Seismic 90 deg M1	231.96	0.030	0.0000	0.0031	0.0031
Seismic 90 deg M1	240.20	0.031	0.0000	0.0018	0.0018
Seismic 90 deg M1	268.04	0.033	0.0000	0.0047	0.0047
Seismic 90 deg M1	275.88	0.033	0.0000	0.0039	0.0039
Seismic 90 deg M1	288.04	0.034	0.0000	0.0027	0.0027
Seismic 90 deg M1	295.88	0.034	0.0000	0.0035	0.0035
Seismic 90 deg M1	300.00	0.035	0.0000	0.0037	0.0037
Seismic 120 deg M1	80.00	0.003	0.0000	0.0072	0.0072
Seismic 120 deg M1	80.20	0.003	0.0000	0.0072	0.0072
Seismic 120 deg M1	104.12	0.006	0.0000	0.0099	0.0099
Seismic 120 deg M1	115.88	0.008	0.0000	0.0115	0.0115
Seismic 120 deg M1	124.12	0.010	0.0000	0.0143	0.0143
Seismic 120 deg M1	128.04	0.011	0.0000	0.0157	0.0157
Seismic 120 deg M1	160.00	0.019	0.0000	0.0158	0.0158

Site Number: 6310

Code:

ANSI/TIA-222-H

© 2007 - 2021 by ATC IP LLC. All rights reserved.

Site Name: FRANKLIN CT, CT

Engineering Number: 13626843_C3_03

3/24/2021 5:18:11 PM

Customer: AT&T MOBILITY

Seismic 120 deg M1	168.04	0.021	0.0000	0.0124	0.0124
Seismic 120 deg M1	180.00	0.024	0.0000	0.0058	0.0058
Seismic 120 deg M1	195.88	0.026	0.0000	0.0098	0.0098
Seismic 120 deg M1	211.96	0.029	0.0000	0.0064	0.0064
Seismic 120 deg M1	215.88	0.029	0.0000	0.0061	0.0061
Seismic 120 deg M1	228.04	0.030	0.0000	0.0036	0.0036
Seismic 120 deg M1	231.96	0.030	0.0000	0.0031	0.0031
Seismic 120 deg M1	240.20	0.031	0.0000	0.0015	0.0015
Seismic 120 deg M1	268.04	0.033	0.0000	0.0047	0.0047
Seismic 120 deg M1	275.88	0.033	0.0000	0.0040	0.0040
Seismic 120 deg M1	288.04	0.034	0.0000	0.0027	0.0027
Seismic 120 deg M1	295.88	0.034	0.0000	0.0034	0.0034
Seismic 120 deg M1	300.00	0.035	0.0000	0.0037	0.0037
Seismic 180 deg M1	80.00	0.003	0.0000	0.0062	0.0062
Seismic 180 deg M1	80.20	0.003	0.0000	0.0061	0.0061
Seismic 180 deg M1	104.12	0.005	0.0000	0.0082	0.0082
Seismic 180 deg M1	115.88	0.007	0.0000	0.0101	0.0101
Seismic 180 deg M1	124.12	0.008	0.0001	0.0123	0.0123
Seismic 180 deg M1	128.04	0.009	0.0000	0.0143	0.0143
Seismic 180 deg M1	160.00	0.017	0.0001	0.0139	0.0139
Seismic 180 deg M1	168.04	0.018	0.0001	0.0105	0.0105
Seismic 180 deg M1	180.00	0.020	0.0001	0.0044	0.0044
Seismic 180 deg M1	195.88	0.022	0.0001	0.0080	0.0080
Seismic 180 deg M1	211.96	0.024	0.0001	0.0049	0.0049
Seismic 180 deg M1	215.88	0.024	0.0001	0.0048	0.0048
Seismic 180 deg M1	228.04	0.025	0.0000	0.0028	0.0028
Seismic 180 deg M1	231.96	0.025	0.0000	0.0025	0.0025
Seismic 180 deg M1	240.20	0.025	0.0000	0.0036	0.0036
Seismic 180 deg M1	268.04	0.027	0.0000	0.0038	0.0038
Seismic 180 deg M1	275.88	0.027	0.0000	0.0033	0.0033
Seismic 180 deg M1	288.04	0.028	0.0000	0.0027	0.0027
Seismic 180 deg M1	295.88	0.028	0.0000	0.0031	0.0031
Seismic 180 deg M1	300.00	0.028	0.0000	0.0032	0.0032
Seismic 210 deg M1	80.00	0.004	0.0000	0.0061	0.0061
Seismic 210 deg M1	80.20	0.004	0.0000	0.0061	0.0061
Seismic 210 deg M1	104.12	0.006	0.0000	0.0080	0.0080
Seismic 210 deg M1	115.88	0.008	0.0000	0.0095	0.0095
Seismic 210 deg M1	124.12	0.009	0.0001	0.0117	0.0117
Seismic 210 deg M1	128.04	0.010	0.0000	0.0135	0.0135
Seismic 210 deg M1	160.00	0.017	0.0001	0.0129	0.0129
Seismic 210 deg M1	168.04	0.018	0.0001	0.0095	0.0095
Seismic 210 deg M1	180.00	0.020	0.0001	0.0038	0.0038
Seismic 210 deg M1	195.88	0.022	0.0001	0.0070	0.0070
Seismic 210 deg M1	211.96	0.023	0.0001	0.0040	0.0040
Seismic 210 deg M1	215.88	0.023	0.0001	0.0039	0.0039
Seismic 210 deg M1	228.04	0.024	0.0001	0.0026	0.0026
Seismic 210 deg M1	231.96	0.024	0.0001	0.0025	0.0025
Seismic 210 deg M1	240.20	0.024	0.0001	0.0051	0.0051
Seismic 210 deg M1	268.04	0.025	0.0001	0.0032	0.0032
Seismic 210 deg M1	275.88	0.025	0.0001	0.0029	0.0029
Seismic 210 deg M1	288.04	0.025	0.0001	0.0029	0.0029
Seismic 210 deg M1	295.88	0.025	0.0000	0.0030	0.0030
Seismic 210 deg M1	300.00	0.025	0.0000	0.0030	0.0030
Seismic 240 deg M1	80.00	0.005	0.0000	0.0062	0.0062
Seismic 240 deg M1	80.20	0.005	0.0000	0.0063	0.0063
Seismic 240 deg M1	104.12	0.007	0.0000	0.0078	0.0078
Seismic 240 deg M1	115.88	0.009	0.0000	0.0088	0.0088
Seismic 240 deg M1	124.12	0.010	0.0001	0.0112	0.0112
Seismic 240 deg M1	128.04	0.011	0.0000	0.0125	0.0125
Seismic 240 deg M1	160.00	0.017	0.0001	0.0117	0.0117
Seismic 240 deg M1	168.04	0.018	0.0001	0.0082	0.0082
Seismic 240 deg M1	180.00	0.020	0.0001	0.0026	0.0026

Site Number: 6310

Code:

ANSI/TIA-222-H

© 2007 - 2021 by ATC IP LLC. All rights reserved.

Site Name: FRANKLIN CT, CT

Engineering Number: 13626843_C3_03

3/24/2021 5:18:11 PM

Customer: AT&T MOBILITY

Seismic 240 deg M1	195.88	0.021	0.0001	0.0054	0.0054
Seismic 240 deg M1	211.96	0.022	0.0001	0.0024	0.0024
Seismic 240 deg M1	215.88	0.022	0.0001	0.0025	0.0025
Seismic 240 deg M1	228.04	0.022	0.0000	0.0023	0.0023
Seismic 240 deg M1	231.96	0.022	0.0000	0.0026	0.0026
Seismic 240 deg M1	240.20	0.022	0.0000	0.0062	0.0062
Seismic 240 deg M1	268.04	0.022	0.0000	0.0022	0.0022
Seismic 240 deg M1	275.88	0.022	0.0000	0.0022	0.0022
Seismic 240 deg M1	288.04	0.022	0.0000	0.0032	0.0032
Seismic 240 deg M1	295.88	0.021	0.0000	0.0027	0.0027
Seismic 240 deg M1	300.00	0.021	0.0000	0.0026	0.0026
Seismic 300 deg M1	80.00	0.006	0.0000	0.0070	0.0070
Seismic 300 deg M1	80.20	0.006	0.0000	0.0068	0.0068
Seismic 300 deg M1	104.12	0.009	0.0000	0.0077	0.0077
Seismic 300 deg M1	115.88	0.010	0.0000	0.0090	0.0090
Seismic 300 deg M1	124.12	0.012	0.0000	0.0105	0.0105
Seismic 300 deg M1	128.04	0.012	0.0000	0.0125	0.0125
Seismic 300 deg M1	160.00	0.019	0.0000	0.0114	0.0114
Seismic 300 deg M1	168.04	0.020	0.0001	0.0076	0.0076
Seismic 300 deg M1	180.00	0.021	0.0001	0.0010	0.0010
Seismic 300 deg M1	195.88	0.022	0.0000	0.0041	0.0041
Seismic 300 deg M1	211.96	0.023	0.0000	0.0006	0.0006
Seismic 300 deg M1	215.88	0.023	0.0000	0.0005	0.0005
Seismic 300 deg M1	228.04	0.023	0.0000	0.0023	0.0023
Seismic 300 deg M1	231.96	0.022	0.0000	0.0028	0.0028
Seismic 300 deg M1	240.20	0.022	0.0000	0.0068	0.0068
Seismic 300 deg M1	268.04	0.022	0.0000	0.0010	0.0010
Seismic 300 deg M1	275.88	0.021	0.0000	0.0016	0.0016
Seismic 300 deg M1	288.04	0.021	0.0000	0.0035	0.0035
Seismic 300 deg M1	295.88	0.020	0.0000	0.0026	0.0026
Seismic 300 deg M1	300.00	0.020	0.0000	0.0023	0.0023
Seismic 330 deg M1	80.00	0.006	0.0000	0.0073	0.0073
Seismic 330 deg M1	80.20	0.006	0.0000	0.0072	0.0072
Seismic 330 deg M1	104.12	0.009	0.0000	0.0084	0.0084
Seismic 330 deg M1	115.88	0.011	0.0000	0.0094	0.0094
Seismic 330 deg M1	124.12	0.012	0.0000	0.0114	0.0114
Seismic 330 deg M1	128.04	0.013	0.0000	0.0131	0.0131
Seismic 330 deg M1	160.00	0.020	0.0000	0.0121	0.0121
Seismic 330 deg M1	168.04	0.021	0.0001	0.0084	0.0084
Seismic 330 deg M1	180.00	0.022	0.0000	0.0020	0.0020
Seismic 330 deg M1	195.88	0.024	0.0000	0.0053	0.0053
Seismic 330 deg M1	211.96	0.025	0.0000	0.0021	0.0021
Seismic 330 deg M1	215.88	0.025	0.0000	0.0019	0.0020
Seismic 330 deg M1	228.04	0.025	0.0000	0.0021	0.0021
Seismic 330 deg M1	231.96	0.025	0.0000	0.0024	0.0024
Seismic 330 deg M1	240.20	0.024	0.0000	0.0063	0.0063
Seismic 330 deg M1	268.04	0.024	0.0000	0.0015	0.0015
Seismic 330 deg M1	275.88	0.024	0.0000	0.0017	0.0017
Seismic 330 deg M1	288.04	0.024	0.0000	0.0033	0.0033
Seismic 330 deg M1	295.88	0.024	0.0000	0.0026	0.0026
Seismic 330 deg M1	300.00	0.024	0.0000	0.0022	0.0022
Seismic (Reduced DL) Normal M1	80.00	0.006	0.0000	0.0072	0.0072
Seismic (Reduced DL) Normal M1	80.20	0.006	0.0000	0.0073	0.0073
Seismic (Reduced DL) Normal M1	104.12	0.009	0.0000	0.0086	0.0086
Seismic (Reduced DL) Normal M1	115.88	0.010	0.0000	0.0096	0.0096
Seismic (Reduced DL) Normal M1	124.12	0.012	0.0000	0.0119	0.0119
Seismic (Reduced DL) Normal M1	128.04	0.013	0.0000	0.0133	0.0133
Seismic (Reduced DL) Normal M1	160.00	0.020	0.0000	0.0128	0.0128
Seismic (Reduced DL) Normal M1	168.04	0.021	0.0000	0.0092	0.0092
Seismic (Reduced DL) Normal M1	180.00	0.023	0.0000	0.0034	0.0034
Seismic (Reduced DL) Normal M1	195.88	0.024	0.0000	0.0063	0.0063
Seismic (Reduced DL) Normal M1	211.96	0.026	0.0000	0.0033	0.0033

Site Number: 6310

Code:

ANSI/TIA-222-H

© 2007 - 2021 by ATC IP LLC. All rights reserved.

Site Name: FRANKLIN CT, CT

Engineering Number: 13626843_C3_03

3/24/2021 5:18:11 PM

Customer: AT&T MOBILITY

Seismic (Reduced DL) Normal M1	215.88	0.026	0.0000	0.0032	0.0032
Seismic (Reduced DL) Normal M1	228.04	0.026	0.0000	0.0023	0.0023
Seismic (Reduced DL) Normal M1	231.96	0.026	0.0000	0.0024	0.0024
Seismic (Reduced DL) Normal M1	240.20	0.026	0.0000	0.0057	0.0057
Seismic (Reduced DL) Normal M1	268.04	0.026	0.0000	0.0025	0.0025
Seismic (Reduced DL) Normal M1	275.88	0.026	0.0000	0.0023	0.0023
Seismic (Reduced DL) Normal M1	288.04	0.026	0.0000	0.0031	0.0031
Seismic (Reduced DL) Normal M1	295.88	0.026	0.0000	0.0027	0.0027
Seismic (Reduced DL) Normal M1	300.00	0.026	0.0000	0.0025	0.0025
Seismic (Reduced DL) 60 deg M1	80.00	0.004	0.0000	0.0071	0.0071
Seismic (Reduced DL) 60 deg M1	80.20	0.004	0.0000	0.0070	0.0070
Seismic (Reduced DL) 60 deg M1	104.12	0.007	-0.0001	0.0089	0.0089
Seismic (Reduced DL) 60 deg M1	115.88	0.009	-0.0001	0.0107	0.0107
Seismic (Reduced DL) 60 deg M1	124.12	0.011	0.0000	0.0127	0.0127
Seismic (Reduced DL) 60 deg M1	128.04	0.011	0.0000	0.0149	0.0149
Seismic (Reduced DL) 60 deg M1	160.00	0.019	0.0000	0.0145	0.0145
Seismic (Reduced DL) 60 deg M1	168.04	0.021	0.0000	0.0109	0.0109
Seismic (Reduced DL) 60 deg M1	180.00	0.023	0.0000	0.0047	0.0047
Seismic (Reduced DL) 60 deg M1	195.88	0.025	0.0000	0.0083	0.0083
Seismic (Reduced DL) 60 deg M1	211.96	0.027	0.0000	0.0051	0.0051
Seismic (Reduced DL) 60 deg M1	215.88	0.027	0.0000	0.0050	0.0050
Seismic (Reduced DL) 60 deg M1	228.04	0.028	0.0000	0.0029	0.0029
Seismic (Reduced DL) 60 deg M1	231.96	0.028	0.0000	0.0025	0.0025
Seismic (Reduced DL) 60 deg M1	240.20	0.028	0.0000	0.0032	0.0032
Seismic (Reduced DL) 60 deg M1	268.04	0.030	0.0000	0.0039	0.0039
Seismic (Reduced DL) 60 deg M1	275.88	0.030	0.0000	0.0033	0.0033
Seismic (Reduced DL) 60 deg M1	288.04	0.031	0.0000	0.0026	0.0026
Seismic (Reduced DL) 60 deg M1	295.88	0.031	0.0000	0.0031	0.0031
Seismic (Reduced DL) 60 deg M1	300.00	0.031	0.0000	0.0032	0.0032
Seismic (Reduced DL) 90 deg M1	80.00	0.004	0.0000	0.0072	0.0072
Seismic (Reduced DL) 90 deg M1	80.20	0.004	0.0000	0.0072	0.0072
Seismic (Reduced DL) 90 deg M1	104.12	0.007	-0.0001	0.0096	0.0096
Seismic (Reduced DL) 90 deg M1	115.88	0.009	-0.0001	0.0113	0.0113
Seismic (Reduced DL) 90 deg M1	124.12	0.010	0.0000	0.0138	0.0138
Seismic (Reduced DL) 90 deg M1	128.04	0.011	0.0000	0.0157	0.0157
Seismic (Reduced DL) 90 deg M1	160.00	0.020	0.0000	0.0155	0.0155
Seismic (Reduced DL) 90 deg M1	168.04	0.021	0.0000	0.0120	0.0120
Seismic (Reduced DL) 90 deg M1	180.00	0.023	0.0000	0.0057	0.0057
Seismic (Reduced DL) 90 deg M1	195.88	0.026	0.0000	0.0095	0.0095
Seismic (Reduced DL) 90 deg M1	211.96	0.028	0.0000	0.0062	0.0062
Seismic (Reduced DL) 90 deg M1	215.88	0.029	0.0000	0.0059	0.0059
Seismic (Reduced DL) 90 deg M1	228.04	0.030	0.0000	0.0035	0.0035
Seismic (Reduced DL) 90 deg M1	231.96	0.030	0.0000	0.0030	0.0030
Seismic (Reduced DL) 90 deg M1	240.20	0.030	0.0000	0.0018	0.0018
Seismic (Reduced DL) 90 deg M1	268.04	0.032	0.0000	0.0046	0.0046
Seismic (Reduced DL) 90 deg M1	275.88	0.033	0.0000	0.0039	0.0039
Seismic (Reduced DL) 90 deg M1	288.04	0.034	0.0000	0.0027	0.0027
Seismic (Reduced DL) 90 deg M1	295.88	0.034	0.0000	0.0034	0.0034
Seismic (Reduced DL) 90 deg M1	300.00	0.034	0.0000	0.0037	0.0037
Seismic (Reduced DL) 120 deg M1	80.00	0.003	0.0000	0.0070	0.0070
Seismic (Reduced DL) 120 deg M1	80.20	0.003	0.0000	0.0071	0.0071
Seismic (Reduced DL) 120 deg M1	104.12	0.006	0.0000	0.0096	0.0096
Seismic (Reduced DL) 120 deg M1	115.88	0.008	0.0000	0.0112	0.0112
Seismic (Reduced DL) 120 deg M1	124.12	0.010	0.0000	0.0140	0.0140
Seismic (Reduced DL) 120 deg M1	128.04	0.011	0.0000	0.0155	0.0155
Seismic (Reduced DL) 120 deg M1	160.00	0.019	0.0000	0.0156	0.0156
Seismic (Reduced DL) 120 deg M1	168.04	0.021	0.0000	0.0121	0.0121
Seismic (Reduced DL) 120 deg M1	180.00	0.023	0.0000	0.0056	0.0056
Seismic (Reduced DL) 120 deg M1	195.88	0.026	0.0000	0.0096	0.0096
Seismic (Reduced DL) 120 deg M1	211.96	0.028	0.0000	0.0063	0.0063
Seismic (Reduced DL) 120 deg M1	215.88	0.029	0.0000	0.0059	0.0059
Seismic (Reduced DL) 120 deg M1	228.04	0.029	0.0000	0.0035	0.0035

Site Number: 6310

Code:

ANSI/TIA-222-H

© 2007 - 2021 by ATC IP LLC. All rights reserved.

Site Name: FRANKLIN CT, CT

Engineering Number: 13626843_C3_03

3/24/2021 5:18:11 PM

Customer: AT&T MOBILITY

Seismic (Reduced DL) 120 deg M1	231.96	0.030	0.0000	0.0030	0.0030
Seismic (Reduced DL) 120 deg M1	240.20	0.030	0.0000	0.0015	0.0015
Seismic (Reduced DL) 120 deg M1	268.04	0.032	0.0000	0.0047	0.0047
Seismic (Reduced DL) 120 deg M1	275.88	0.033	0.0000	0.0039	0.0039
Seismic (Reduced DL) 120 deg M1	288.04	0.034	0.0000	0.0027	0.0027
Seismic (Reduced DL) 120 deg M1	295.88	0.034	0.0000	0.0034	0.0034
Seismic (Reduced DL) 120 deg M1	300.00	0.034	0.0000	0.0037	0.0037
Seismic (Reduced DL) 180 deg M1	80.00	0.003	0.0000	0.0061	0.0061
Seismic (Reduced DL) 180 deg M1	80.20	0.003	0.0000	0.0060	0.0060
Seismic (Reduced DL) 180 deg M1	104.12	0.005	0.0000	0.0080	0.0080
Seismic (Reduced DL) 180 deg M1	115.88	0.007	0.0000	0.0099	0.0099
Seismic (Reduced DL) 180 deg M1	124.12	0.008	0.0001	0.0120	0.0120
Seismic (Reduced DL) 180 deg M1	128.04	0.009	0.0000	0.0142	0.0142
Seismic (Reduced DL) 180 deg M1	160.00	0.017	0.0001	0.0137	0.0137
Seismic (Reduced DL) 180 deg M1	168.04	0.018	0.0001	0.0103	0.0103
Seismic (Reduced DL) 180 deg M1	180.00	0.020	0.0001	0.0042	0.0042
Seismic (Reduced DL) 180 deg M1	195.88	0.022	0.0001	0.0079	0.0079
Seismic (Reduced DL) 180 deg M1	211.96	0.024	0.0001	0.0048	0.0048
Seismic (Reduced DL) 180 deg M1	215.88	0.024	0.0001	0.0047	0.0047
Seismic (Reduced DL) 180 deg M1	228.04	0.025	0.0000	0.0027	0.0027
Seismic (Reduced DL) 180 deg M1	231.96	0.025	0.0000	0.0025	0.0025
Seismic (Reduced DL) 180 deg M1	240.20	0.025	0.0000	0.0037	0.0037
Seismic (Reduced DL) 180 deg M1	268.04	0.027	0.0000	0.0038	0.0038
Seismic (Reduced DL) 180 deg M1	275.88	0.027	0.0000	0.0033	0.0033
Seismic (Reduced DL) 180 deg M1	288.04	0.027	0.0000	0.0026	0.0026
Seismic (Reduced DL) 180 deg M1	295.88	0.028	0.0000	0.0031	0.0031
Seismic (Reduced DL) 180 deg M1	300.00	0.028	0.0000	0.0032	0.0032
Seismic (Reduced DL) 210 deg M1	80.00	0.004	0.0000	0.0060	0.0060
Seismic (Reduced DL) 210 deg M1	80.20	0.004	0.0000	0.0060	0.0060
Seismic (Reduced DL) 210 deg M1	104.12	0.006	0.0000	0.0078	0.0078
Seismic (Reduced DL) 210 deg M1	115.88	0.008	0.0000	0.0093	0.0093
Seismic (Reduced DL) 210 deg M1	124.12	0.009	0.0001	0.0116	0.0116
Seismic (Reduced DL) 210 deg M1	128.04	0.010	0.0000	0.0135	0.0135
Seismic (Reduced DL) 210 deg M1	160.00	0.017	0.0001	0.0127	0.0127
Seismic (Reduced DL) 210 deg M1	168.04	0.018	0.0001	0.0094	0.0094
Seismic (Reduced DL) 210 deg M1	180.00	0.019	0.0001	0.0036	0.0036
Seismic (Reduced DL) 210 deg M1	195.88	0.021	0.0001	0.0069	0.0069
Seismic (Reduced DL) 210 deg M1	211.96	0.023	0.0001	0.0039	0.0039
Seismic (Reduced DL) 210 deg M1	215.88	0.023	0.0001	0.0039	0.0039
Seismic (Reduced DL) 210 deg M1	228.04	0.023	0.0001	0.0025	0.0025
Seismic (Reduced DL) 210 deg M1	231.96	0.023	0.0001	0.0024	0.0024
Seismic (Reduced DL) 210 deg M1	240.20	0.023	0.0001	0.0050	0.0050
Seismic (Reduced DL) 210 deg M1	268.04	0.024	0.0001	0.0032	0.0032
Seismic (Reduced DL) 210 deg M1	275.88	0.025	0.0001	0.0028	0.0028
Seismic (Reduced DL) 210 deg M1	288.04	0.025	0.0001	0.0029	0.0029
Seismic (Reduced DL) 210 deg M1	295.88	0.025	0.0000	0.0030	0.0030
Seismic (Reduced DL) 210 deg M1	300.00	0.025	0.0000	0.0029	0.0029
Seismic (Reduced DL) 240 deg M1	80.00	0.005	0.0000	0.0062	0.0062
Seismic (Reduced DL) 240 deg M1	80.20	0.005	0.0000	0.0063	0.0063
Seismic (Reduced DL) 240 deg M1	104.12	0.007	0.0000	0.0077	0.0077
Seismic (Reduced DL) 240 deg M1	115.88	0.009	0.0000	0.0087	0.0087
Seismic (Reduced DL) 240 deg M1	124.12	0.010	0.0001	0.0111	0.0111
Seismic (Reduced DL) 240 deg M1	128.04	0.011	0.0000	0.0124	0.0124
Seismic (Reduced DL) 240 deg M1	160.00	0.017	0.0001	0.0116	0.0116
Seismic (Reduced DL) 240 deg M1	168.04	0.018	0.0001	0.0081	0.0081
Seismic (Reduced DL) 240 deg M1	180.00	0.020	0.0001	0.0025	0.0025
Seismic (Reduced DL) 240 deg M1	195.88	0.021	0.0001	0.0053	0.0053
Seismic (Reduced DL) 240 deg M1	211.96	0.022	0.0001	0.0024	0.0024
Seismic (Reduced DL) 240 deg M1	215.88	0.022	0.0001	0.0024	0.0024
Seismic (Reduced DL) 240 deg M1	228.04	0.022	0.0000	0.0023	0.0023
Seismic (Reduced DL) 240 deg M1	231.96	0.022	0.0000	0.0026	0.0026
Seismic (Reduced DL) 240 deg M1	240.20	0.022	0.0000	0.0062	0.0062

Site Number: 6310

Code:

ANSI/TIA-222-H

© 2007 - 2021 by ATC IP LLC. All rights reserved.

Site Name: FRANKLIN CT, CT

Engineering Number: 13626843_C3_03

3/24/2021 5:18:11 PM

Customer: AT&T MOBILITY

Seismic (Reduced DL) 240 deg M1	268.04	0.022	0.0000	0.0021	0.0021
Seismic (Reduced DL) 240 deg M1	275.88	0.022	0.0000	0.0022	0.0022
Seismic (Reduced DL) 240 deg M1	288.04	0.022	0.0000	0.0032	0.0032
Seismic (Reduced DL) 240 deg M1	295.88	0.021	0.0000	0.0027	0.0027
Seismic (Reduced DL) 240 deg M1	300.00	0.021	0.0000	0.0025	0.0025
Seismic (Reduced DL) 300 deg M1	80.00	0.006	0.0000	0.0070	0.0070
Seismic (Reduced DL) 300 deg M1	80.20	0.006	0.0000	0.0069	0.0069
Seismic (Reduced DL) 300 deg M1	104.12	0.009	0.0000	0.0077	0.0077
Seismic (Reduced DL) 300 deg M1	115.88	0.010	0.0000	0.0089	0.0089
Seismic (Reduced DL) 300 deg M1	124.12	0.012	0.0000	0.0105	0.0105
Seismic (Reduced DL) 300 deg M1	128.04	0.012	0.0000	0.0126	0.0126
Seismic (Reduced DL) 300 deg M1	160.00	0.019	0.0000	0.0113	0.0113
Seismic (Reduced DL) 300 deg M1	168.04	0.020	0.0001	0.0075	0.0075
Seismic (Reduced DL) 300 deg M1	180.00	0.021	0.0001	0.0010	0.0010
Seismic (Reduced DL) 300 deg M1	195.88	0.022	0.0000	0.0042	0.0042
Seismic (Reduced DL) 300 deg M1	211.96	0.023	0.0000	0.0006	0.0006
Seismic (Reduced DL) 300 deg M1	215.88	0.023	0.0000	0.0005	0.0005
Seismic (Reduced DL) 300 deg M1	228.04	0.023	0.0000	0.0022	0.0022
Seismic (Reduced DL) 300 deg M1	231.96	0.022	0.0000	0.0027	0.0027
Seismic (Reduced DL) 300 deg M1	240.20	0.022	0.0000	0.0067	0.0067
Seismic (Reduced DL) 300 deg M1	268.04	0.022	0.0000	0.0009	0.0009
Seismic (Reduced DL) 300 deg M1	275.88	0.021	0.0000	0.0016	0.0016
Seismic (Reduced DL) 300 deg M1	288.04	0.021	0.0000	0.0034	0.0034
Seismic (Reduced DL) 300 deg M1	295.88	0.021	0.0000	0.0025	0.0025
Seismic (Reduced DL) 300 deg M1	300.00	0.020	0.0000	0.0022	0.0022
Seismic (Reduced DL) 330 deg M1	80.00	0.006	0.0000	0.0073	0.0073
Seismic (Reduced DL) 330 deg M1	80.20	0.006	0.0000	0.0072	0.0072
Seismic (Reduced DL) 330 deg M1	104.12	0.009	0.0000	0.0083	0.0083
Seismic (Reduced DL) 330 deg M1	115.88	0.011	0.0000	0.0094	0.0094
Seismic (Reduced DL) 330 deg M1	124.12	0.012	0.0000	0.0114	0.0114
Seismic (Reduced DL) 330 deg M1	128.04	0.013	0.0000	0.0131	0.0131
Seismic (Reduced DL) 330 deg M1	160.00	0.020	0.0000	0.0121	0.0121
Seismic (Reduced DL) 330 deg M1	168.04	0.021	0.0001	0.0084	0.0084
Seismic (Reduced DL) 330 deg M1	180.00	0.022	0.0000	0.0020	0.0020
Seismic (Reduced DL) 330 deg M1	195.88	0.024	0.0000	0.0053	0.0053
Seismic (Reduced DL) 330 deg M1	211.96	0.025	0.0000	0.0021	0.0021
Seismic (Reduced DL) 330 deg M1	215.88	0.025	0.0000	0.0019	0.0019
Seismic (Reduced DL) 330 deg M1	228.04	0.025	0.0000	0.0020	0.0020
Seismic (Reduced DL) 330 deg M1	231.96	0.025	0.0000	0.0024	0.0024
Seismic (Reduced DL) 330 deg M1	240.20	0.024	0.0000	0.0062	0.0062
Seismic (Reduced DL) 330 deg M1	268.04	0.024	0.0000	0.0014	0.0014
Seismic (Reduced DL) 330 deg M1	275.88	0.024	0.0000	0.0017	0.0017
Seismic (Reduced DL) 330 deg M1	288.04	0.024	0.0000	0.0032	0.0032
Seismic (Reduced DL) 330 deg M1	295.88	0.024	0.0000	0.0025	0.0025
Seismic (Reduced DL) 330 deg M1	300.00	0.024	0.0000	0.0022	0.0022
Serviceability - 60 mph Wind Normal	80.00	0.103	-0.0056	0.0910	0.0912
Serviceability - 60 mph Wind Normal	80.20	0.103	-0.0056	0.0889	0.0891
Serviceability - 60 mph Wind Normal	104.12	0.128	-0.0058	0.0471	0.0474
Serviceability - 60 mph Wind Normal	115.88	0.136	-0.0059	0.0437	0.0441
Serviceability - 60 mph Wind Normal	124.12	0.141	-0.0061	0.0555	0.0558
Serviceability - 60 mph Wind Normal	128.04	0.145	-0.0061	0.0634	0.0637
Serviceability - 60 mph Wind Normal	160.00	0.174	-0.0064	0.0345	0.0351
Serviceability - 60 mph Wind Normal	168.04	0.176	-0.0066	0.0068	0.0097
Serviceability - 60 mph Wind Normal	180.00	0.174	-0.0067	0.0591	0.0595
Serviceability - 60 mph Wind Normal	195.88	0.169	-0.0069	0.0254	0.0264
Serviceability - 60 mph Wind Normal	211.96	0.158	-0.0071	0.0549	0.0554
Serviceability - 60 mph Wind Normal	215.88	0.154	-0.0071	0.0584	0.0588
Serviceability - 60 mph Wind Normal	228.04	0.139	-0.0073	0.0764	0.0767
Serviceability - 60 mph Wind Normal	231.96	0.134	-0.0073	0.0808	0.0811
Serviceability - 60 mph Wind Normal	240.20	0.122	-0.0074	0.1116	0.1118
Serviceability - 60 mph Wind Normal	268.04	0.091	-0.0076	0.0599	0.0603
Serviceability - 60 mph Wind Normal	275.88	0.082	-0.0077	0.0619	0.0624

Site Number: 6310

Code:

ANSI/TIA-222-H

© 2007 - 2021 by ATC IP LLC. All rights reserved.

Site Name: FRANKLIN CT, CT

Engineering Number: 13626843_C3_03

3/24/2021 5:18:11 PM

Customer: AT&T MOBILITY

Serviceability - 60 mph Wind Normal	288.04	0.069	-0.0078	0.0680	0.0685
Serviceability - 60 mph Wind Normal	295.88	0.061	-0.0078	0.0908	0.0912
Serviceability - 60 mph Wind Normal	300.00	0.057	-0.0078	0.0935	0.0939
Serviceability - 60 mph Wind 60 deg	80.00	0.088	-0.0062	0.0797	0.0800
Serviceability - 60 mph Wind 60 deg	80.20	0.088	-0.0062	0.0776	0.0778
Serviceability - 60 mph Wind 60 deg	104.12	0.111	-0.0065	0.0432	0.0438
Serviceability - 60 mph Wind 60 deg	115.88	0.119	-0.0068	0.0453	0.0458
Serviceability - 60 mph Wind 60 deg	124.12	0.124	-0.0063	0.0585	0.0589
Serviceability - 60 mph Wind 60 deg	128.04	0.128	-0.0070	0.0692	0.0695
Serviceability - 60 mph Wind 60 deg	160.00	0.164	-0.0072	0.0539	0.0544
Serviceability - 60 mph Wind 60 deg	168.04	0.169	-0.0071	0.0285	0.0295
Serviceability - 60 mph Wind 60 deg	180.00	0.172	-0.0075	0.0328	0.0337
Serviceability - 60 mph Wind 60 deg	195.88	0.175	-0.0076	0.0092	0.0122
Serviceability - 60 mph Wind 60 deg	211.96	0.174	-0.0079	0.0156	0.0176
Serviceability - 60 mph Wind 60 deg	215.88	0.173	-0.0080	0.0187	0.0206
Serviceability - 60 mph Wind 60 deg	228.04	0.167	-0.0084	0.0337	0.0347
Serviceability - 60 mph Wind 60 deg	231.96	0.165	-0.0085	0.0374	0.0383
Serviceability - 60 mph Wind 60 deg	240.20	0.159	-0.0086	0.0647	0.0653
Serviceability - 60 mph Wind 60 deg	268.04	0.148	-0.0089	0.0175	0.0197
Serviceability - 60 mph Wind 60 deg	275.88	0.146	-0.0090	0.0202	0.0222
Serviceability - 60 mph Wind 60 deg	288.04	0.141	-0.0091	0.0250	0.0266
Serviceability - 60 mph Wind 60 deg	295.88	0.138	-0.0091	0.0263	0.0279
Serviceability - 60 mph Wind 60 deg	300.00	0.136	-0.0093	0.1558	0.1561
Serviceability - 60 mph Wind 90 deg	80.00	0.096	0.0378	0.0842	0.0922
Serviceability - 60 mph Wind 90 deg	80.20	0.096	0.0378	0.0824	0.0905
Serviceability - 60 mph Wind 90 deg	104.12	0.120	0.0384	0.0460	0.0597
Serviceability - 60 mph Wind 90 deg	115.88	0.128	0.0387	0.0454	0.0595
Serviceability - 60 mph Wind 90 deg	124.12	0.133	0.0398	0.0584	0.0700
Serviceability - 60 mph Wind 90 deg	128.04	0.138	0.0391	0.0680	0.0783
Serviceability - 60 mph Wind 90 deg	160.00	0.171	0.0396	0.0466	0.0608
Serviceability - 60 mph Wind 90 deg	168.04	0.175	0.0401	0.0214	0.0452
Serviceability - 60 mph Wind 90 deg	180.00	0.176	0.0403	0.0424	0.0580
Serviceability - 60 mph Wind 90 deg	195.88	0.176	0.0405	0.0145	0.0427
Serviceability - 60 mph Wind 90 deg	211.96	0.171	0.0404	0.0364	0.0543
Serviceability - 60 mph Wind 90 deg	215.88	0.168	0.0404	0.0397	0.0567
Serviceability - 60 mph Wind 90 deg	228.04	0.158	0.0405	0.0560	0.0691
Serviceability - 60 mph Wind 90 deg	231.96	0.155	0.0405	0.0602	0.0726
Serviceability - 60 mph Wind 90 deg	240.20	0.146	0.0407	0.0881	0.0970
Serviceability - 60 mph Wind 90 deg	268.04	0.127	0.0408	0.0443	0.0602
Serviceability - 60 mph Wind 90 deg	275.88	0.122	0.0410	0.0471	0.0624
Serviceability - 60 mph Wind 90 deg	288.04	0.114	0.0413	0.0513	0.0657
Serviceability - 60 mph Wind 90 deg	295.88	0.109	0.0414	0.0320	0.0521
Serviceability - 60 mph Wind 90 deg	300.00	0.106	0.0412	0.1898	0.1941
Serviceability - 60 mph Wind 120 deg	80.00	0.102	-0.0002	0.0909	0.0909
Serviceability - 60 mph Wind 120 deg	80.20	0.102	-0.0002	0.0888	0.0888
Serviceability - 60 mph Wind 120 deg	104.12	0.127	-0.0002	0.0480	0.0480
Serviceability - 60 mph Wind 120 deg	115.88	0.136	-0.0003	0.0450	0.0450
Serviceability - 60 mph Wind 120 deg	124.12	0.141	0.0002	0.0572	0.0572
Serviceability - 60 mph Wind 120 deg	128.04	0.145	-0.0004	0.0652	0.0652
Serviceability - 60 mph Wind 120 deg	160.00	0.175	-0.0002	0.0371	0.0371
Serviceability - 60 mph Wind 120 deg	168.04	0.178	0.0000	0.0087	0.0088
Serviceability - 60 mph Wind 120 deg	180.00	0.176	-0.0002	0.0560	0.0560
Serviceability - 60 mph Wind 120 deg	195.88	0.172	-0.0001	0.0227	0.0227
Serviceability - 60 mph Wind 120 deg	211.96	0.161	-0.0003	0.0526	0.0526
Serviceability - 60 mph Wind 120 deg	215.88	0.157	-0.0004	0.0563	0.0563
Serviceability - 60 mph Wind 120 deg	228.04	0.143	-0.0006	0.0748	0.0748
Serviceability - 60 mph Wind 120 deg	231.96	0.138	-0.0006	0.0793	0.0793
Serviceability - 60 mph Wind 120 deg	240.20	0.126	-0.0007	0.1102	0.1102
Serviceability - 60 mph Wind 120 deg	268.04	0.094	-0.0008	0.0615	0.0615
Serviceability - 60 mph Wind 120 deg	275.88	0.086	-0.0008	0.0644	0.0644
Serviceability - 60 mph Wind 120 deg	288.04	0.071	-0.0008	0.0693	0.0693
Serviceability - 60 mph Wind 120 deg	295.88	0.062	-0.0007	0.0603	0.0603

Site Number: 6310

Code:

ANSI/TIA-222-H

© 2007 - 2021 by ATC IP LLC. All rights reserved.

Site Name: FRANKLIN CT, CT

Engineering Number: 13626843_C3_03

3/24/2021 5:18:11 PM

Customer: AT&T MOBILITY

Serviceability - 60 mph Wind 120 deg	300.00	0.057	-0.0010	0.1869	0.1869
Serviceability - 60 mph Wind 180 deg	80.00	0.085	0.0061	0.0774	0.0776
Serviceability - 60 mph Wind 180 deg	80.20	0.086	0.0061	0.0753	0.0755
Serviceability - 60 mph Wind 180 deg	104.12	0.107	0.0063	0.0410	0.0415
Serviceability - 60 mph Wind 180 deg	115.88	0.115	0.0063	0.0432	0.0437
Serviceability - 60 mph Wind 180 deg	124.12	0.119	0.0070	0.0565	0.0569
Serviceability - 60 mph Wind 180 deg	128.04	0.124	0.0064	0.0671	0.0674
Serviceability - 60 mph Wind 180 deg	160.00	0.158	0.0070	0.0517	0.0522
Serviceability - 60 mph Wind 180 deg	168.04	0.163	0.0074	0.0268	0.0276
Serviceability - 60 mph Wind 180 deg	180.00	0.166	0.0074	0.0344	0.0351
Serviceability - 60 mph Wind 180 deg	195.88	0.169	0.0076	0.0083	0.0109
Serviceability - 60 mph Wind 180 deg	211.96	0.168	0.0076	0.0160	0.0176
Serviceability - 60 mph Wind 180 deg	215.88	0.166	0.0076	0.0189	0.0204
Serviceability - 60 mph Wind 180 deg	228.04	0.160	0.0077	0.0333	0.0341
Serviceability - 60 mph Wind 180 deg	231.96	0.158	0.0077	0.0367	0.0375
Serviceability - 60 mph Wind 180 deg	240.20	0.153	0.0078	0.0637	0.0642
Serviceability - 60 mph Wind 180 deg	268.04	0.143	0.0079	0.0141	0.0161
Serviceability - 60 mph Wind 180 deg	275.88	0.141	0.0080	0.0159	0.0177
Serviceability - 60 mph Wind 180 deg	288.04	0.137	0.0081	0.0213	0.0228
Serviceability - 60 mph Wind 180 deg	295.88	0.135	0.0081	0.0450	0.0457
Serviceability - 60 mph Wind 180 deg	300.00	0.135	0.0084	0.1387	0.1389
Serviceability - 60 mph Wind 210 deg	80.00	0.091	0.0492	0.0799	0.0936
Serviceability - 60 mph Wind 210 deg	80.20	0.092	0.0492	0.0780	0.0921
Serviceability - 60 mph Wind 210 deg	104.12	0.114	0.0503	0.0418	0.0651
Serviceability - 60 mph Wind 210 deg	115.88	0.121	0.0508	0.0415	0.0655
Serviceability - 60 mph Wind 210 deg	124.12	0.126	0.0522	0.0546	0.0747
Serviceability - 60 mph Wind 210 deg	128.04	0.130	0.0515	0.0642	0.0822
Serviceability - 60 mph Wind 210 deg	160.00	0.161	0.0528	0.0439	0.0682
Serviceability - 60 mph Wind 210 deg	168.04	0.165	0.0536	0.0203	0.0571
Serviceability - 60 mph Wind 210 deg	180.00	0.166	0.0541	0.0455	0.0702
Serviceability - 60 mph Wind 210 deg	195.88	0.165	0.0546	0.0177	0.0572
Serviceability - 60 mph Wind 210 deg	211.96	0.160	0.0549	0.0377	0.0665
Serviceability - 60 mph Wind 210 deg	215.88	0.158	0.0550	0.0407	0.0684
Serviceability - 60 mph Wind 210 deg	228.04	0.148	0.0554	0.0559	0.0786
Serviceability - 60 mph Wind 210 deg	231.96	0.145	0.0555	0.0597	0.0815
Serviceability - 60 mph Wind 210 deg	240.20	0.137	0.0560	0.0869	0.1033
Serviceability - 60 mph Wind 210 deg	268.04	0.121	0.0565	0.0429	0.0709
Serviceability - 60 mph Wind 210 deg	275.88	0.117	0.0567	0.0450	0.0723
Serviceability - 60 mph Wind 210 deg	288.04	0.112	0.0572	0.0494	0.0756
Serviceability - 60 mph Wind 210 deg	295.88	0.108	0.0573	0.0535	0.0783
Serviceability - 60 mph Wind 210 deg	300.00	0.107	0.0574	0.1656	0.1751
Serviceability - 60 mph Wind 240 deg	80.00	0.101	0.0053	0.0893	0.0895
Serviceability - 60 mph Wind 240 deg	80.20	0.101	0.0053	0.0872	0.0874
Serviceability - 60 mph Wind 240 deg	104.12	0.126	0.0057	0.0457	0.0461
Serviceability - 60 mph Wind 240 deg	115.88	0.134	0.0058	0.0424	0.0428
Serviceability - 60 mph Wind 240 deg	124.12	0.138	0.0065	0.0544	0.0547
Serviceability - 60 mph Wind 240 deg	128.04	0.142	0.0060	0.0623	0.0626
Serviceability - 60 mph Wind 240 deg	160.00	0.170	0.0066	0.0338	0.0344
Serviceability - 60 mph Wind 240 deg	168.04	0.173	0.0070	0.0061	0.0092
Serviceability - 60 mph Wind 240 deg	180.00	0.171	0.0071	0.0591	0.0594
Serviceability - 60 mph Wind 240 deg	195.88	0.166	0.0074	0.0252	0.0261
Serviceability - 60 mph Wind 240 deg	211.96	0.154	0.0074	0.0546	0.0550
Serviceability - 60 mph Wind 240 deg	215.88	0.150	0.0074	0.0582	0.0586
Serviceability - 60 mph Wind 240 deg	228.04	0.136	0.0075	0.0762	0.0765
Serviceability - 60 mph Wind 240 deg	231.96	0.130	0.0075	0.0807	0.0810
Serviceability - 60 mph Wind 240 deg	240.20	0.118	0.0076	0.1112	0.1114
Serviceability - 60 mph Wind 240 deg	268.04	0.087	0.0077	0.0620	0.0625
Serviceability - 60 mph Wind 240 deg	275.88	0.078	0.0078	0.0649	0.0653
Serviceability - 60 mph Wind 240 deg	288.04	0.064	0.0080	0.0696	0.0700
Serviceability - 60 mph Wind 240 deg	295.88	0.055	0.0080	0.0581	0.0586
Serviceability - 60 mph Wind 240 deg	300.00	0.051	0.0081	0.1906	0.1908
Serviceability - 60 mph Wind 300 deg	80.00	0.094	0.0006	0.0825	0.0825

Site Number: 6310

Code:

ANSI/TIA-222-H

© 2007 - 2021 by ATC IP LLC. All rights reserved.

Site Name: FRANKLIN CT, CT

Engineering Number: 13626843_C3_03

3/24/2021 5:18:11 PM

Customer: AT&T MOBILITY

Serviceability - 60 mph Wind 300 deg	80.20	0.095	0.0006	0.0803	0.0803
Serviceability - 60 mph Wind 300 deg	104.12	0.118	0.0007	0.0438	0.0438
Serviceability - 60 mph Wind 300 deg	115.88	0.126	0.0006	0.0448	0.0448
Serviceability - 60 mph Wind 300 deg	124.12	0.131	0.0012	0.0571	0.0571
Serviceability - 60 mph Wind 300 deg	128.04	0.135	0.0007	0.0674	0.0674
Serviceability - 60 mph Wind 300 deg	160.00	0.169	0.0010	0.0496	0.0496
Serviceability - 60 mph Wind 300 deg	168.04	0.173	0.0013	0.0236	0.0236
Serviceability - 60 mph Wind 300 deg	180.00	0.175	0.0012	0.0384	0.0384
Serviceability - 60 mph Wind 300 deg	195.88	0.177	0.0013	0.0017	0.0020
Serviceability - 60 mph Wind 300 deg	211.96	0.174	0.0013	0.0240	0.0240
Serviceability - 60 mph Wind 300 deg	215.88	0.172	0.0012	0.0272	0.0272
Serviceability - 60 mph Wind 300 deg	228.04	0.164	0.0011	0.0428	0.0428
Serviceability - 60 mph Wind 300 deg	231.96	0.161	0.0011	0.0466	0.0466
Serviceability - 60 mph Wind 300 deg	240.20	0.154	0.0011	0.0743	0.0743
Serviceability - 60 mph Wind 300 deg	268.04	0.138	0.0011	0.0274	0.0275
Serviceability - 60 mph Wind 300 deg	275.88	0.134	0.0012	0.0301	0.0301
Serviceability - 60 mph Wind 300 deg	288.04	0.128	0.0012	0.0347	0.0347
Serviceability - 60 mph Wind 300 deg	295.88	0.123	0.0012	0.0303	0.0303
Serviceability - 60 mph Wind 300 deg	300.00	0.121	0.0013	0.1628	0.1628
Serviceability - 60 mph Wind 330 deg	80.00	0.099	0.0386	0.0849	0.0931
Serviceability - 60 mph Wind 330 deg	80.20	0.099	0.0386	0.0830	0.0914
Serviceability - 60 mph Wind 330 deg	104.12	0.123	0.0394	0.0450	0.0595
Serviceability - 60 mph Wind 330 deg	115.88	0.131	0.0398	0.0436	0.0588
Serviceability - 60 mph Wind 330 deg	124.12	0.136	0.0409	0.0558	0.0685
Serviceability - 60 mph Wind 330 deg	128.04	0.140	0.0402	0.0651	0.0764
Serviceability - 60 mph Wind 330 deg	160.00	0.171	0.0408	0.0420	0.0582
Serviceability - 60 mph Wind 330 deg	168.04	0.175	0.0414	0.0166	0.0445
Serviceability - 60 mph Wind 330 deg	180.00	0.175	0.0416	0.0472	0.0625
Serviceability - 60 mph Wind 330 deg	195.88	0.173	0.0420	0.0157	0.0445
Serviceability - 60 mph Wind 330 deg	211.96	0.167	0.0419	0.0403	0.0581
Serviceability - 60 mph Wind 330 deg	215.88	0.164	0.0419	0.0437	0.0605
Serviceability - 60 mph Wind 330 deg	228.04	0.153	0.0421	0.0599	0.0732
Serviceability - 60 mph Wind 330 deg	231.96	0.149	0.0421	0.0639	0.0765
Serviceability - 60 mph Wind 330 deg	240.20	0.140	0.0424	0.0920	0.1012
Serviceability - 60 mph Wind 330 deg	268.04	0.118	0.0426	0.0443	0.0614
Serviceability - 60 mph Wind 330 deg	275.88	0.113	0.0427	0.0463	0.0629
Serviceability - 60 mph Wind 330 deg	288.04	0.104	0.0430	0.0521	0.0675
Serviceability - 60 mph Wind 330 deg	295.88	0.098	0.0431	0.0714	0.0834
Serviceability - 60 mph Wind 330 deg	300.00	0.096	0.0432	0.1264	0.1334

Maximum Reactions Summary

Anchor Group	UpLift	Shear
Base	194.93	2.72
A1	64.02	79.70

Exhibit 5

Antenna Mount Analysis Report



AMERICAN TOWER®
CORPORATION

This report was prepared for American Tower Corporation by



T O W E R
E N G I N E E R I N G
P R O F E S S I O N A L S

Antenna Mount Analysis Report

ATC Site Name : FRANKLIN CT, CT
ATC Site Number : 6310
Engineering Number : 13626843_C8_01
Mount Elevation : 196 ft
Carrier : AT&T MOBILITY
Carrier Site Name : MRCTB050160
Carrier Site Number : S1255
Site Location : 89 Dr. Nott Road
North Franklin, CT 06254-1316
41.597700, -72.145000
County : New London
Date : March 29, 2021
Max Usage : 54%
Result : Pass

Prepared By:
Austin J. Wilson
TEP No. 25556.515364

Reviewed By:



03/29/2021



Table of Contents

Introduction.....	1
Supporting Documents.....	1
Analysis.....	1
Conclusion	1
Antenna Loading.....	2
Structure Usages.....	2
Mount Layout.....	3
Standard Conditions	4
Calculations.....	Attached



Introduction

The purpose of this report is to summarize results of the antenna mount analysis performed for AT&T MOBILITY at 196 ft.

Supporting Documents

Spec. Sheet	Spec Sheet for Sabre C10857001
RFDS	RFDS dated March 5, 2021

Analysis

This antenna mount was analyzed using RISA-3D v17 analysis software.

Basic Wind Speed:	123 mph (3-Second Gust)
Basic Wind Speed w/ Ice:	50 mph (3-Second Gust) w/ 1.00 in. radial ice
Codes:	ANSI/TIA-222-H / 2018 IBC
Risk Category:	II
Exposure Category:	B
Topographic Category:	Method 2
Kzt:	1.329
Spectral Response:	$S_s = 0.195, S_1 = 0.054$
Site Class:	D - Stiff Soil
Live Loads:	$L_m = 500 \text{ lbs}, L_v = 250 \text{ lbs}$

Conclusion

Based on the analysis results, the antenna mount meets the requirements per the applicable codes listed above. The mount can support the equipment as described in this report. If the load differs from that described in this report or the provisions of this analysis are found to be invalid, another structural analysis should be performed.

If you have any questions or require additional information, please contact American Tower via email at Engineering@americantower.com. Please include the American Tower site name, site number, and engineering number in the subject line for any questions.



Antenna Loading

Mount Centerline (ft)	Antenna Centerline (ft)	Qty	Antenna Model
196	196	3	CCI TPA65R-BU8D
		3	Ericsson AIR 6449 B77D
		3	CCI DMP65R-BU8D
		3	Ericsson RRUS 4449 B5, B12
		3	Ericsson RRUS 8843 B2, B66A
		3	Ericsson RRUS 4478 B14
		2	Raycap DC9-48-60-24-8C-EV

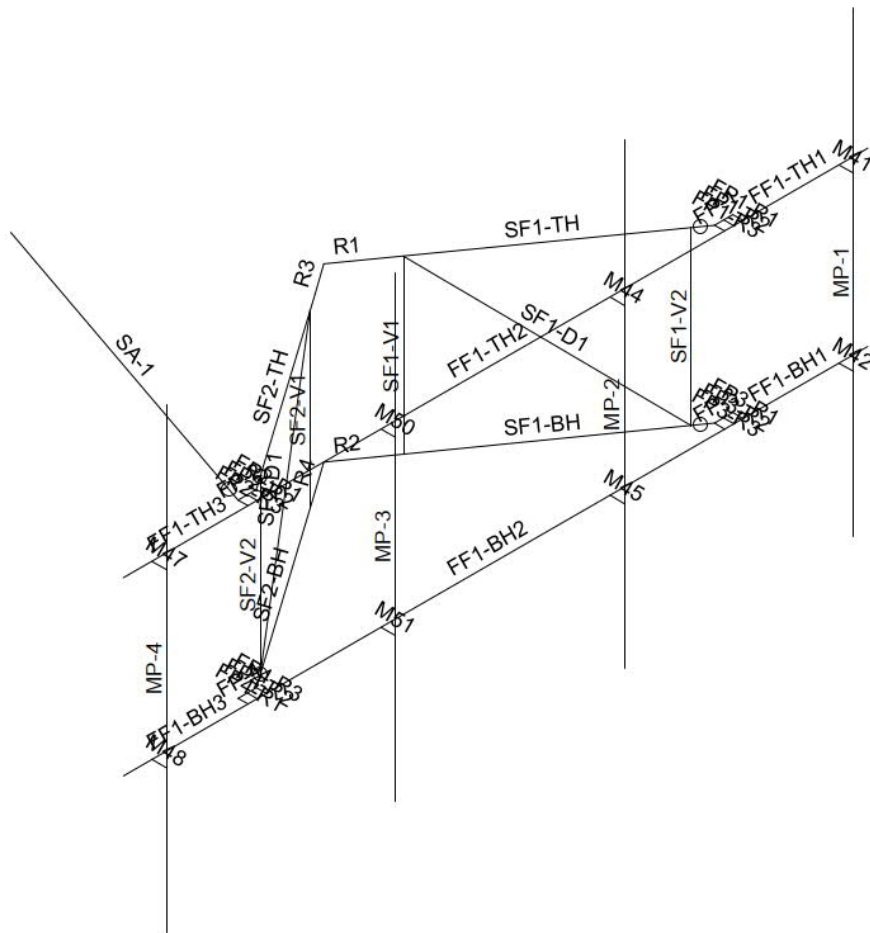
Structure Usages

Structural Component	Controlling Usage	Pass/Fail
Face Horizontals	32%	Pass
Support Horizontals	16%	Pass
Support Bracing	21%	Pass
Tie-Backs	10%	Pass
Mount Pipes	54%	Pass
Connection Bolts	28%	Pass



Mount Layout

MFR	Model	Member Label	Location #1 (ft,%)	Location #2 (ft,%)
CCI ANTENNAS	TPA65R-BU8DA-K	MP-1	0.50	7.50
ERICSSON	4478 B14	MP-1	3.00	
ERICSSON	AIR6449 N77	MP-3	3.00	5.00
CCI ANTENNAS	DMP65R-BU8DA-K	MP-4	0.50	7.50
ERICSSON	4449 B5/B12	MP-4	3.00	
ERICSSON	8843 B2/66A	MP-4	3.00	
RAYCAP	DC9-48-60-24-8C-EV	SF1-TH	1.00	





Standard Conditions

All engineering services performed by TEP are prepared on the basis that the information used is current and correct. This information may consist of, but is not limited to the following:

- Information supplied by the client regarding antenna, mounts and feed line loading
- Information from drawings, design and analysis documents, and field notes in the possession of TEP

It is the responsibility of the client to ensure that the information provided to TEP and used in the performance of our engineering services is correct and complete.

TEP assumes that all structures were constructed in accordance with the drawings and specifications.

TEP assumes that the mount has been maintained in accordance with the manufacturer's specification.

TEP assumes that all mount components are in sufficient condition to carry their full design capacity for this analysis.

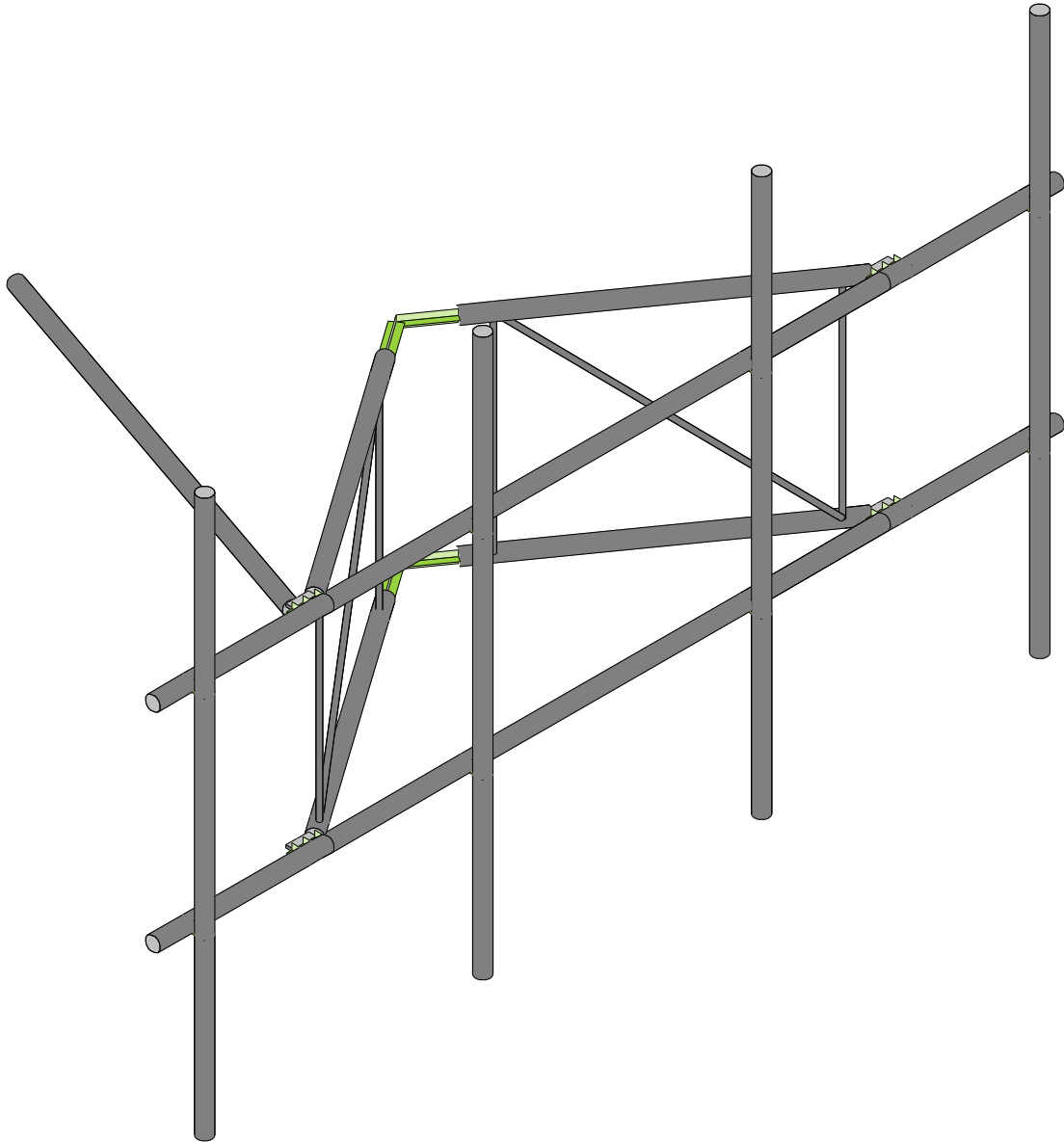
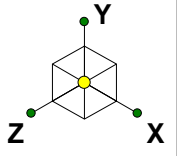
Serviceability with respect to antenna twist, tilt, roll, or lateral translation, is not checked and is left to the carrier or tower owner to ensure conformance.

All material grades used for this analysis, unless verified by mount manufacturer design, were assumed per AISC Table 2-4, 15th Edition. See RISA 3-D output for confirmation on grades used in this analysis.

All connections are to be verified for condition and tightness by the installation contractor preceding any changes to the appurtenance mounting system and/or equipment attached to it.

Unless explicitly agreed by both the client and TEP, all services will be performed in accordance with the current revision of ANSI/TIA-222.

All services are performed, results obtained, and recommendations made in accordance with generally accepted engineering principles and practices. TEP is not responsible for the conclusions, opinions and recommendations made by others based on the information supplied herein.



Envelope Only Solution

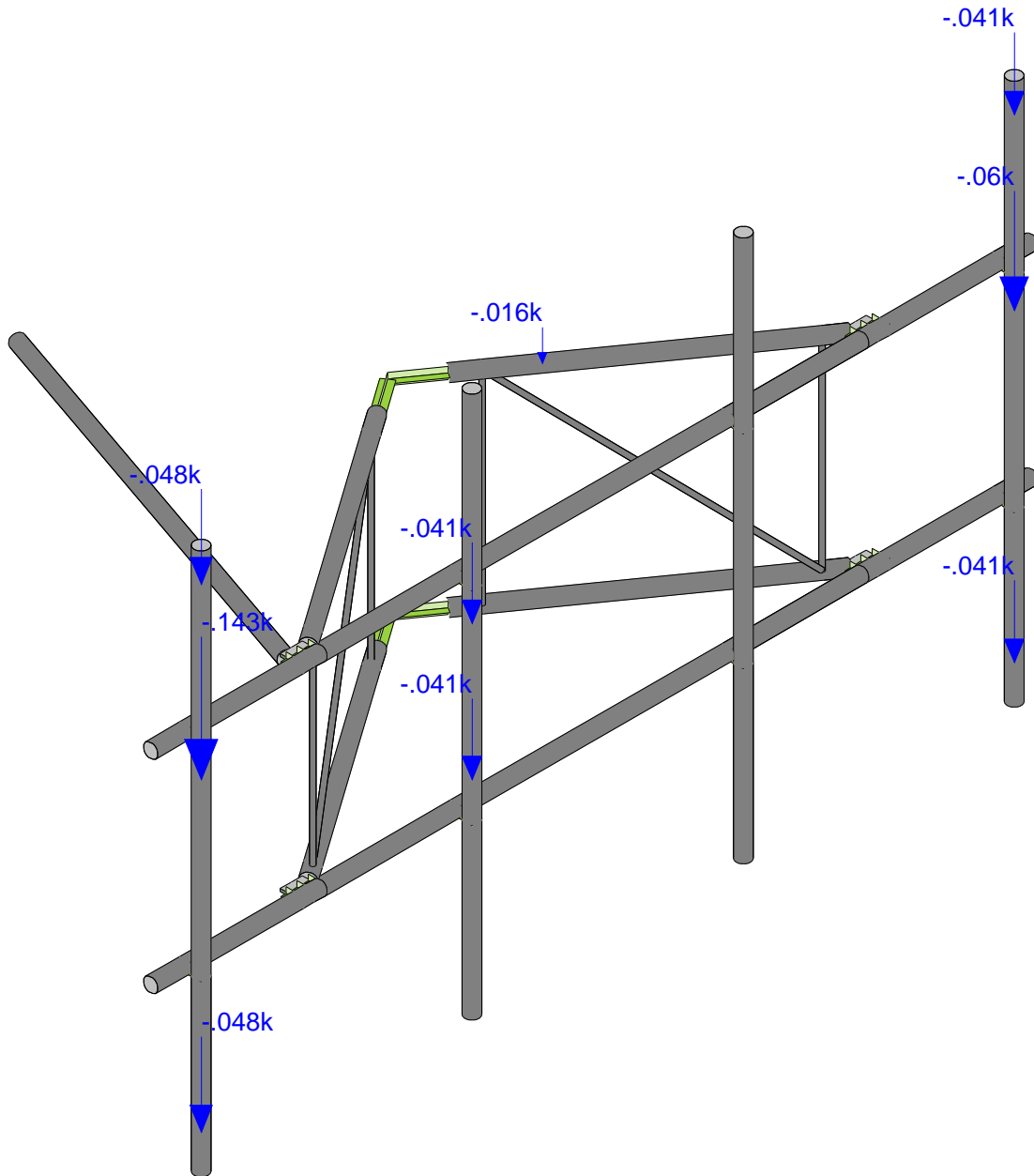
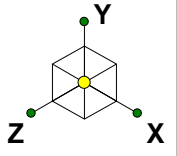
Tower Engineering Profess...
AJW
TEP No. 25556.515364

6310 - FRANKLIN CT

SK - 1

Mar 29, 2021 at 3:56 PM

Sabre C10857777 EHD V-Boom.r3d



Loads: BLC 1, Dead
Envelope Only Solution

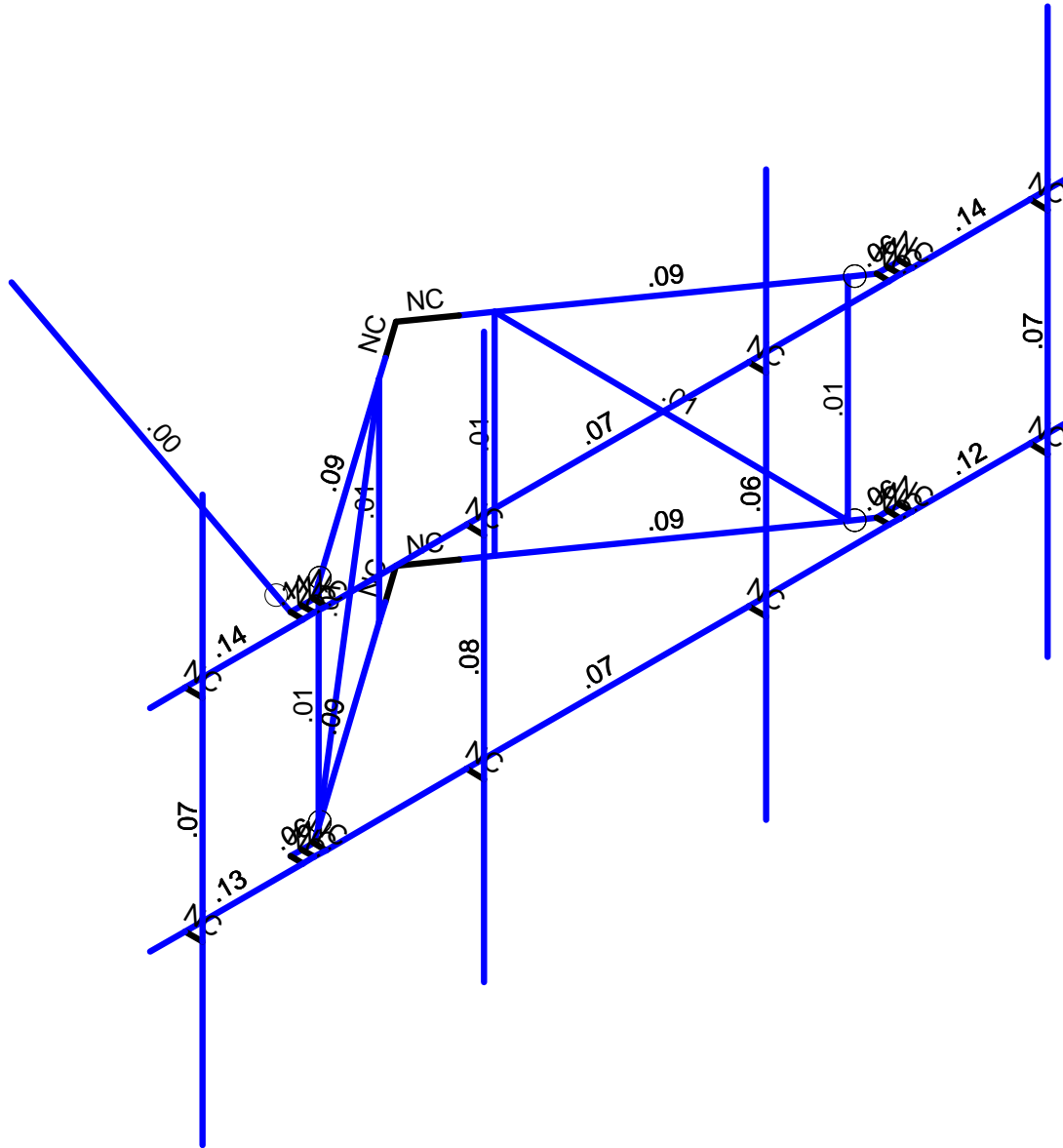
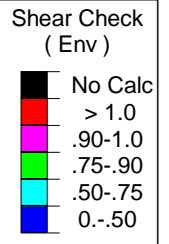
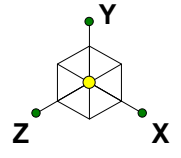
Tower Engineering Profess...
AJW
TEP No. 25556.515364

6310 - FRANKLIN CT

SK - 2

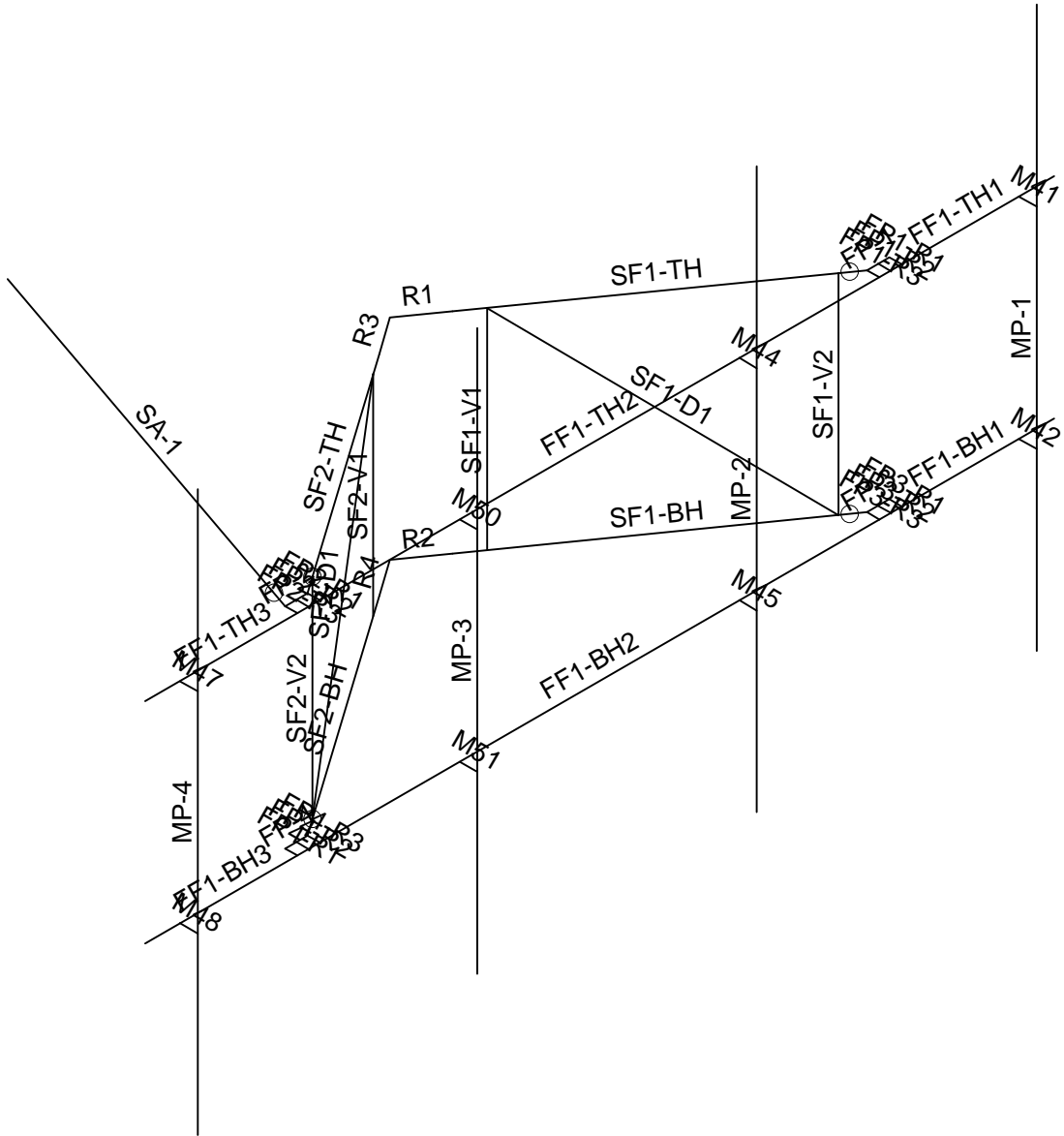
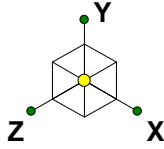
Mar 29, 2021 at 3:57 PM

Sabre C10857777 EHD V-Boom.r3d



Member Shear Checks Displayed (Enveloped)
Envelope Only Solution

Tower Engineering Profess...	6310 - FRANKLIN CT	SK - 4
AJW		Mar 29, 2021 at 3:58 PM
TEP No. 25556.515364		Sabre C10857777 EHD V-Boom.r3d

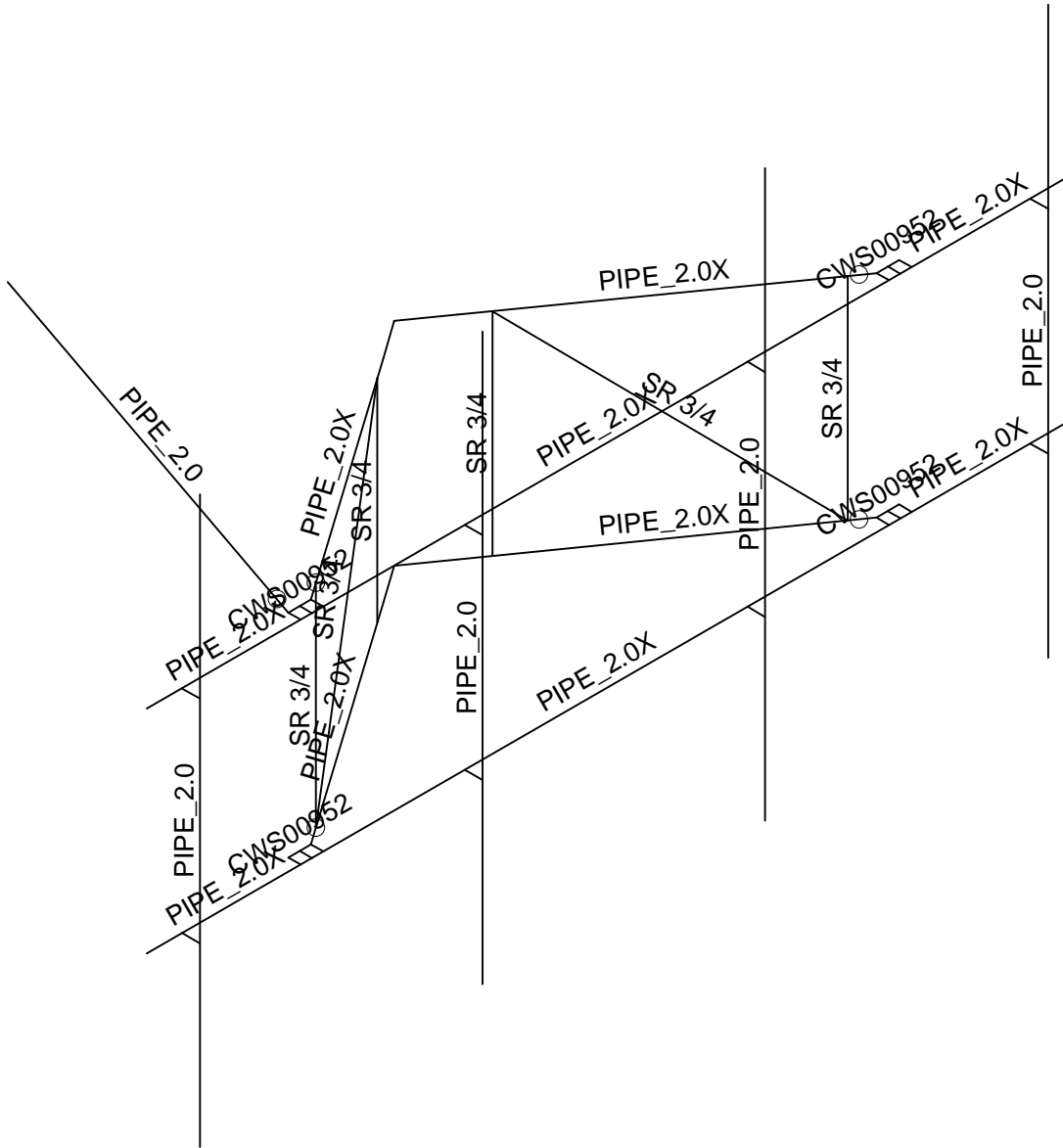
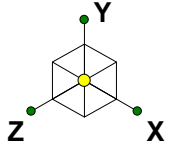


Envelope Only Solution

Tower Engineering Profess...
 AJW
 TEP No. 25556.515364

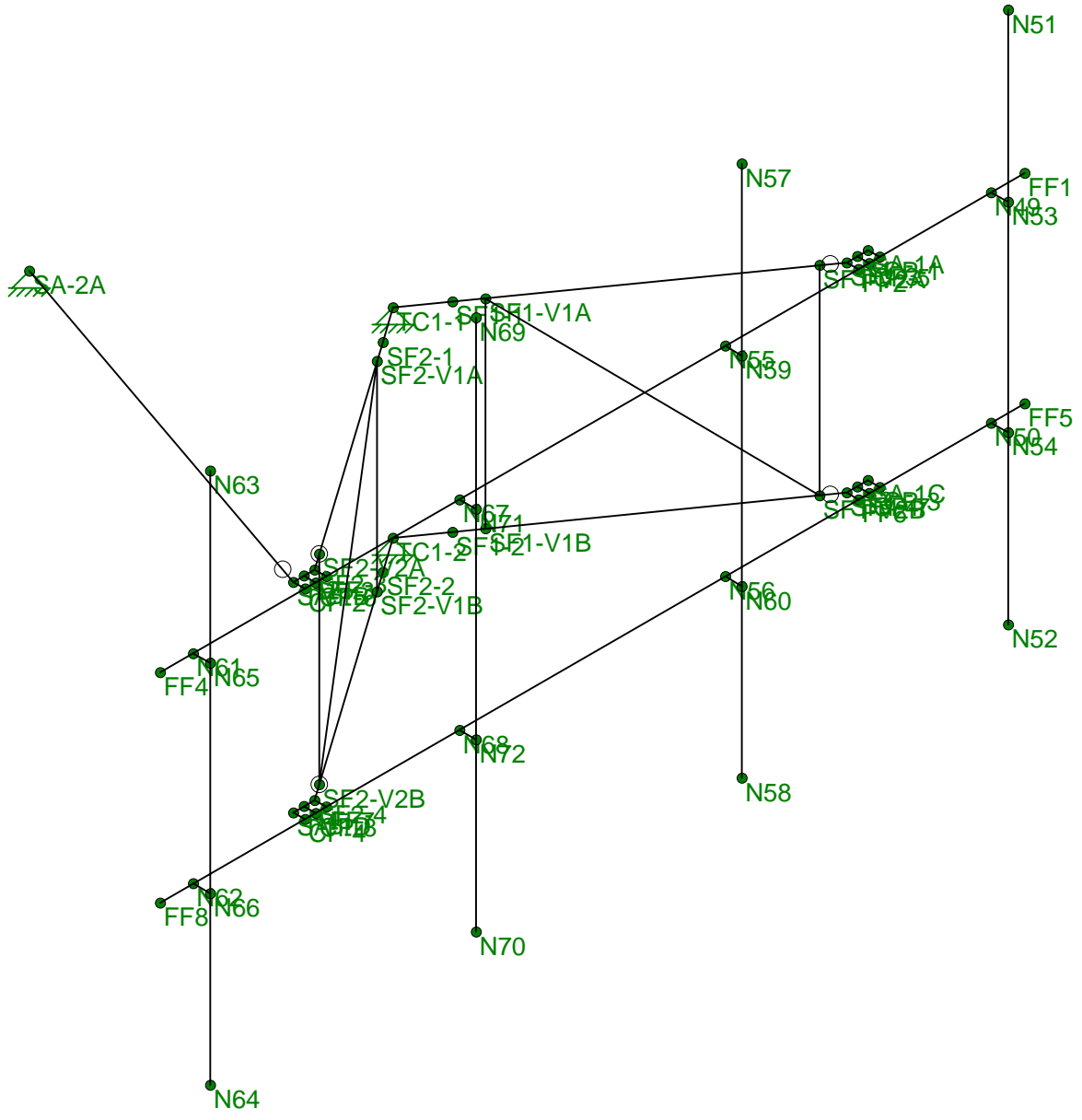
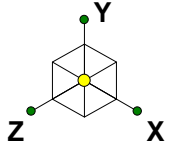
6310 - FRANKLIN CT

SK - 5
 Mar 29, 2021 at 3:59 PM
 Sabre C10857777 EHD V-Boom.r3d



Envelope Only Solution

Tower Engineering Profess...		SK - 6
AJW	6310 - FRANKLIN CT	Mar 29, 2021 at 4:00 PM
TEP No. 25556.515364		Sabre C10857777 EHD V-Boom.r3d



Envelope Only Solution

Tower Engineering Profess...	6310 - FRANKLIN CT	SK - 7
AJW		Mar 29, 2021 at 4:39 PM
TEP No. 25556.515364		Sabre C10857777 EHD V-Boom.r3d



Company : Tower Engineering Professionals, Inc.
 Designer : AJW
 Job Number : TEP No. 25556.515364
 Model Name : 6310 - FRANKLIN CT

Mar 29, 2021
 4:38 PM
 Checked By: -

(Global) Model Settings

Display Sections for Member Calcs	5
Max Internal Sections for Member Calcs	97
Include Shear Deformation?	Yes
Increase Nailing Capacity for Wind?	Yes
Include Warping?	Yes
Trans Load Btwn Intersecting Wood Wall?	Yes
Area Load Mesh (in^2)	144
Merge Tolerance (in)	.12
P-Delta Analysis Tolerance	0.50%
Include P-Delta for Walls?	Yes
Automatically Iterate Stiffness for Walls?	Yes
Max Iterations for Wall Stiffness	3
Gravity Acceleration (ft/sec^2)	32.2
Wall Mesh Size (in)	24
Eigensolution Convergence Tol. (1.E-)	4
Vertical Axis	Y
Global Member Orientation Plane	XZ
Static Solver	Sparse Accelerated
Dynamic Solver	Accelerated Solver

Hot Rolled Steel Code	AISC 15th(360-16): LRFD
Adjust Stiffness?	No
RISACONNECTION CODE	None
Cold Formed Steel Code	None
Wood Code	None
Wood Temperature	< 100F
Concrete Code	None
Masonry Code	None
Aluminum Code	None - Building
Stainless Steel Code	None

Number of Shear Regions	4
Region Spacing Increment (in)	4
Biaxial Column Method	Exact Integration
Parme Beta Factor (PCA)	.65
Concrete Stress Block	Rectangular
Use Cracked Sections?	Yes
Use Cracked Sections Slab?	Yes
Bad Framing Warnings?	No
Unused Force Warnings?	Yes
Min 1 Bar Diam. Spacing?	No
Concrete Rebar Set	REBAR_SET_ASTMA615
Min % Steel for Column	1
Max % Steel for Column	8



Company : Tower Engineering Professionals, Inc.
 Designer : AJW
 Job Number : TEP No. 25556.515364
 Model Name : 6310 - FRANKLIN CT

Mar 29, 2021
 4:38 PM
 Checked By: -

(Global) Model Settings, Continued

Seismic Code	ASCE 7-10
Seismic Base Elevation (ft)	Not Entered
Add Base Weight?	Yes
Ct X	.02
Ct Z	.02
T X (sec)	Not Entered
T Z (sec)	Not Entered
R X	3
R Z	3
Ct Exp. X	.75
Ct Exp. Z	.75
SD1	1
SDS	1
S1	1
TL (sec)	5
Risk Cat	I or II
Drift Cat	Other
Om Z	1
Om X	1
Cd Z	1
Cd X	1
Rho Z	1
Rho X	1

Hot Rolled Steel Properties

	Label	E [ksi]	G [ksi]	Nu	Therm (1/E..Density[k/ft... Yield[ksi]	Ry	Fu[ksi]	Rt
1	A992	29000	11154	.3	.65 49 50	1.1	65	1.1
2	A36 Gr.36	29000	11154	.3	.65 49 36	1.5	58	1.2
3	A572 Gr.50	29000	11154	.3	.65 49 50	1.1	65	1.1
4	A500 Gr.B RND	29000	11154	.3	.65 49 42	1.4	58	1.3
5	A500 Gr.B Rect	29000	11154	.3	.65 49 46	1.4	58	1.3
6	A53 Gr.B	29000	11154	.3	.65 49 35	1.6	60	1.2
7	A1085	29000	11154	.3	.65 49 50	1.4	65	1.3

Hot Rolled Steel Section Sets

	Label	Shape	Type	Design List	Material	Design ...	A [in2]	Iyy [in4]	Izz [in4]	J [in4]
1	Face Horizontal	PIPE 2.0X	None	None	A572 Gr.50	Typical	1.4	.827	.827	1.65
2	Support Horizontal	PIPE 2.0X	None	None	A572 Gr.50	Typical	1.4	.827	.827	1.65
3	Mount Pipes	PIPE 2.0	None	None	A53 Gr.B	Typical	1.02	.627	.627	1.25
4	Support Bracing	SR 3/4	None	None	A572 Gr.50	Typical	.442	.016	.016	.031
5	Monopole Attachment	PIPE 4.0	None	None	A53 Gr.B	Typical	2.96	6.82	6.82	13.6
6	Stabilizer Arm	PIPE 2.0	None	None	A572 Gr.50	Typical	1.02	.627	.627	1.25
7	Face Plate	CWS00952	None	None	A36 Gr.36	Typical	1.063	.022	.4	.075

Cold Formed Steel Section Sets

	Label	Shape	Type	Design ...	Material	Design ...	A [in2]	Iyy [in4]	Izz [in4]	J [in4]
1	CF1A	8CU1.25X057	Beam	None	A653 SS Gr33	Typical	.581	.057	4.41	.00063



Company : Tower Engineering Professionals, Inc.
 Designer : AJW
 Job Number : TEP No. 25556.515364
 Model Name : 6310 - FRANKLIN CT

Mar 29, 2021
 4:38 PM
 Checked By: -

Material Takeoff

	Material	Size	Pieces	Length(ft)	Weight(K)
1	General				
2	RIGID		24	6.7	0
3	Total General		24	6.7	0
4					
5	Hot Rolled Steel				
6	A36 Gr.36	CWS00952	4	1.3	0
7	A53 Gr.B	PIPE 2.0	4	32	.1
8	A572 Gr.50	PIPE 2.0	1	6.7	0
9	A572 Gr.50	PIPE 2.0X	10	43	.2
10	A572 Gr.50	SR 3/4	6	21.4	0
11	Total HR Steel		25	104.4	.4

Joint Boundary Conditions

Joint Label	X [k/in]	Y [k/in]	Z [k/in]	X Rot. [k-ft/rad]	Y Rot. [k-ft/rad]	Z Rot. [k-ft/rad]
1 TC1-1	Reaction	Reaction	Reaction			
2 TC1-2	Reaction	Reaction	Reaction			
3 SA-2A	Reaction	Reaction	Reaction			

Member Primary Data

Label	I Joint	J Joint	K Joint	Rotate(d...)	Section/Shape	Type	Design List	Material	Design Ru...
1	FF1-BH1	FF5	FF6		Face Horizontal	None	None	A572 Gr...	Typical
2	FF1-BH2	FF6	FF7		Face Horizontal	None	None	A572 Gr...	Typical
3	FF1-BH3	FF7	FF8		Face Horizontal	None	None	A572 Gr...	Typical
4	FF1-TH1	FF1	FF2		Face Horizontal	None	None	A572 Gr...	Typical
5	FF1-TH2	FF2	FF3		Face Horizontal	None	None	A572 Gr...	Typical
6	FF1-TH3	FF3	FF4		Face Horizontal	None	None	A572 Gr...	Typical
7	FP-1	SA-1A	SF1-3	90	Face Plate	None	None	A36 Gr.36	Typical
8	FP-2	SF2-3	SA-1B	90	Face Plate	None	None	A36 Gr.36	Typical
9	FP-3	SA-1C	SF1-4	90	Face Plate	None	None	A36 Gr.36	Typical
10	FP-4	SF2-4	SA-1D	90	Face Plate	None	None	A36 Gr.36	Typical
11	MP-1	N51	N52		Mount Pipes	None	None	A53 Gr.B	Typical
12	MP-2	N57	N58		Mount Pipes	None	None	A53 Gr.B	Typical
13	MP-3	N69	N70		Mount Pipes	None	None	A53 Gr.B	Typical
14	MP-4	N63	N64		Mount Pipes	None	None	A53 Gr.B	Typical
15	FP1-R1	SA-1A	CP-1		RIGID	None	None	RIGID	Typical
16	FP1-R2	R1	CP-5		RIGID	None	None	RIGID	Typical
17	FP1-R3	SF1-3	FF2		RIGID	None	None	RIGID	Typical
18	FP2-R1	SF2-3	FF3		RIGID	None	None	RIGID	Typical
19	FP2-R2	R2	CP-6		RIGID	None	None	RIGID	Typical
20	FP2-R3	SA-1B	CP-2		RIGID	None	None	RIGID	Typical
21	FP3-R1	SA-1C	CP-3		RIGID	None	None	RIGID	Typical
22	FP3-R2	R3	CP-7		RIGID	None	None	RIGID	Typical
23	FP3-R3	SF1-4	FF6		RIGID	None	None	RIGID	Typical
24	FP4-R1	SA-1D	CP-4		RIGID	None	None	RIGID	Typical
25	FP4-R2	R4	CP-8		RIGID	None	None	RIGID	Typical
26	FP4-R3	SF2-4	FF7		RIGID	None	None	RIGID	Typical
27	M41	N49	N53		RIGID	None	None	RIGID	Typical
28	M42	N50	N54		RIGID	None	None	RIGID	Typical



Company : Tower Engineering Professionals, Inc.
 Designer : AJW
 Job Number : TEP No. 25556.515364
 Model Name : 6310 - FRANKLIN CT

Mar 29, 2021
 4:38 PM
 Checked By: -

Member Primary Data (Continued)

Label	I Joint	J Joint	K Joint	Rotate(d...)	Section/Shape	Type	Design List	Material	Design Ru...
29	M44	N55	N59		RIGID	None	None	RIGID	Typical
30	M45	N56	N60		RIGID	None	None	RIGID	Typical
31	M47	N61	N65		RIGID	None	None	RIGID	Typical
32	M48	N62	N66		RIGID	None	None	RIGID	Typical
33	M50	N67	N71		RIGID	None	None	RIGID	Typical
34	M51	N68	N72		RIGID	None	None	RIGID	Typical
35	R1	TC1-1	SF1-1		RIGID	None	None	RIGID	Typical
36	R2	TC1-2	SF1-2		RIGID	None	None	RIGID	Typical
37	R3	TC1-1	SF2-1		RIGID	None	None	RIGID	Typical
38	R4	TC1-2	SF2-2		RIGID	None	None	RIGID	Typical
39	SA-1	SA-1B	SA-2A		Stabilizer Arm	None	None	A572 Gr...	Typical
40	SF1-D1	SF1-V1A	SF1-V2B		Support Bracing	None	None	A572 Gr...	Typical
41	SF1-V1	SF1-V1A	SF1-V1B		Support Bracing	None	None	A572 Gr...	Typical
42	SF1-V2	SF1-V2A	SF1-V2B		Support Bracing	None	None	A572 Gr...	Typical
43	SF2-D1	SF2-V1A	SF2-V2B		Support Bracing	None	None	A572 Gr...	Typical
44	SF2-V1	SF2-V1A	SF2-V1B		Support Bracing	None	None	A572 Gr...	Typical
45	SF2-V2	SF2-V2A	SF2-V2B		Support Bracing	None	None	A572 Gr...	Typical
46	SF1-BH	SF1-2	SF1-4		Support Horizontal	None	None	A572 Gr...	Typical
47	SF1-TH	SF1-1	SF1-3		Support Horizontal	None	None	A572 Gr...	Typical
48	SF2-BH	SF2-2	SF2-4		Support Horizontal	None	None	A572 Gr...	Typical
49	SF2-TH	SF2-1	SF2-3		Support Horizontal	None	None	A572 Gr...	Typical

Member Advanced Data

Label	I Release	J Release	I Offset(in)	J Offset(in)	T/C Only	Physical	Defl Ra...Analysis...	Inactive	Seismi...
1	FF1-BH1					Yes	** NA **		None
2	FF1-BH2					Yes	** NA **		None
3	FF1-BH3					Yes	** NA **		None
4	FF1-TH1					Yes	** NA **		None
5	FF1-TH2					Yes	** NA **		None
6	FF1-TH3					Yes	** NA **		None
7	FP-1					Yes	** NA **		None
8	FP-2					Yes	** NA **		None
9	FP-3					Yes	** NA **		None
10	FP-4					Yes	** NA **		None
11	MP-1					Yes	** NA **		None
12	MP-2					Yes	** NA **		None
13	MP-3					Yes	** NA **		None
14	MP-4					Yes	** NA **		None
15	FP1-R1					Yes	** NA **		None
16	FP1-R2					Yes	** NA **		None
17	FP1-R3					Yes	** NA **		None
18	FP2-R1					Yes	** NA **		None
19	FP2-R2					Yes	** NA **		None
20	FP2-R3					Yes	** NA **		None
21	FP3-R1					Yes	** NA **		None
22	FP3-R2					Yes	** NA **		None
23	FP3-R3					Yes	** NA **		None
24	FP4-R1					Yes	** NA **		None
25	FP4-R2					Yes	** NA **		None
26	FP4-R3					Yes	** NA **		None



Company : Tower Engineering Professionals, Inc.
 Designer : AJW
 Job Number : TEP No. 25556.515364
 Model Name : 6310 - FRANKLIN CT

Mar 29, 2021
 4:38 PM
 Checked By: -

Member Advanced Data (Continued)

Label	I Release	J Release	I Offset(in)	J Offset(in)	T/C Only	Physical	Defl Ra...	Analysis...	Inactive	Seismi...
27	M41					Yes	** NA **			None
28	M42					Yes	** NA **			None
29	M44					Yes	** NA **			None
30	M45					Yes	** NA **			None
31	M47					Yes	** NA **			None
32	M48					Yes	** NA **			None
33	M50					Yes	** NA **			None
34	M51					Yes	** NA **			None
35	R1					Yes	** NA **			None
36	R2					Yes	** NA **			None
37	R3					Yes	** NA **			None
38	R4					Yes	** NA **			None
39	SA-1	BenPIN				Yes	** NA **			None
40	SF1-D1					Yes	** NA **			None
41	SF1-V1					Yes	** NA **			None
42	SF1-V2					Yes	** NA **			None
43	SF2-D1					Yes	** NA **			None
44	SF2-V1					Yes	** NA **			None
45	SF2-V2					Yes	** NA **			None
46	SF1-BH	BenPIN				Yes	** NA **			None
47	SF1-TH	BenPIN				Yes	** NA **			None
48	SF2-BH	BenPIN				Yes	** NA **			None
49	SF2-TH	BenPIN				Yes	** NA **			None

Hot Rolled Steel Design Parameters

Label	Shape	Length[...]	Lbyy[ft]	Lbzz[ft]	Lcomp top...	Lcomp bot...	L-torq...	Kyy	Kzz	Cb	Funct...
1	FF1-BH1	Face Horizontal	2.5					2.1	2.1		Lateral
2	FF1-BH2	Face Horizontal	8					1	1		Lateral
3	FF1-BH3	Face Horizontal	2.5					2.1	2.1		Lateral
4	FF1-TH1	Face Horizontal	2.5					2.1	2.1		Lateral
5	FF1-TH2	Face Horizontal	8					1	1		Lateral
6	FF1-TH3	Face Horizontal	2.5					2.1	2.1		Lateral
7	FP-1	Face Plate	.323	.001	.001			.65	.65		Lateral
8	FP-2	Face Plate	.323	.001	.001			.65	.65		Lateral
9	FP-3	Face Plate	.323	.001	.001			.65	.65		Lateral
10	FP-4	Face Plate	.323	.001	.001			.65	.65		Lateral
11	MP-1	Mount Pipes	8	Segment	Segment			2.1	2.1		Lateral
12	MP-2	Mount Pipes	8	Segment	Segment			2.1	2.1		Lateral
13	MP-3	Mount Pipes	8	Segment	Segment			2.1	2.1		Lateral
14	MP-4	Mount Pipes	8	Segment	Segment			2.1	2.1		Lateral
15	SA-1	Stabilizer Arm	6.707					1	1		Lateral
16	SF1-D1	Support Bracing	4.689					.65	.65		Lateral
17	SF1-V1	Support Bracing	3					.65	.65		Lateral
18	SF1-V2	Support Bracing	3					.65	.65		Lateral
19	SF2-D1	Support Bracing	4.689					.65	.65		Lateral
20	SF2-V1	Support Bracing	3					.65	.65		Lateral
21	SF2-V2	Support Bracing	3					.65	.65		Lateral
22	SF1-BH	Support Horizontal	4.255		3.604			1	1		Lateral
23	SF1-TH	Support Horizontal	4.255		3.604			1	1		Lateral
24	SF2-BH	Support Horizontal	4.255		3.604			1	1		Lateral



Company : Tower Engineering Professionals, Inc.
 Designer : AJW
 Job Number : TEP No. 25556.515364
 Model Name : 6310 - FRANKLIN CT

Mar 29, 2021
 4:38 PM
 Checked By: -

Hot Rolled Steel Design Parameters (Continued)

Label	Shape	Length[...]	Lbyy[ft]	Lbzz[ft]	Lcomp top...	Lcomp bot...	L-torq...	Kyy	Kzz	Cb	Funct...
25	SF2-TH	Support Horizontal	4.255		3.604			1	1		Lateral

Cold Formed Steel Design Parameters

Label	Shape	Length[...]	Lbyy[ft]	Lbzz[ft]	Lcomp to...	Lcomp bo...	Kyy	Kzz	cm-yy	cm-zz	Cb	R	y	swayz	sway
No Data to Print ...															

Basic Load Cases

BLC	Description	Category	X Gravity	Y Gravity	Z Gravity	Joint	Point	Distributed Area(Me...	Surface(P...
1	Dead	None		-1			10		
2	0 Wind - No Ice	None					10	25	
3	30 Wind - No Ice	None					20	50	
4	45 Wind - No Ice	None					20	50	
5	60 Wind - No Ice	None					20	50	
6	90 Wind - No Ice	None					10	25	
7	120 Wind - No Ice	None					20	50	
8	135 Wind - No Ice	None					20	50	
9	150 Wind - No Ice	None					20	50	
10	180 Wind - No Ice	None					10	25	
11	210 Wind - No Ice	None					20	50	
12	225 Wind - No Ice	None					20	50	
13	240 Wind - No Ice	None					20	50	
14	270 Wind - No Ice	None					10	25	
15	300 Wind - No Ice	None					20	50	
16	315 Wind - No Ice	None					20	50	
17	330 Wind - No Ice	None					20	50	
18	Ice Weight	None					10	25	
19	0 Wind - Ice	None					10	25	
20	30 Wind - Ice	None					20	50	
21	45 Wind - Ice	None					20	50	
22	60 Wind - Ice	None					20	50	
23	90 Wind - Ice	None					10	25	
24	120 Wind - Ice	None					20	50	
25	135 Wind - Ice	None					20	50	
26	150 Wind - Ice	None					20	50	
27	180 Wind - Ice	None					10	25	
28	210 Wind - Ice	None					20	50	
29	225 Wind - Ice	None					20	50	
30	240 Wind - Ice	None					20	50	
31	270 Wind - Ice	None					10	25	
32	300 Wind - Ice	None					20	50	
33	315 Wind - Ice	None					20	50	
34	330 Wind - Ice	None					20	50	
35	Lm	None				1			
36	Lv	None				1			
37	Seismic Load X	ELX	-1				10		
38	Seismic Load Z	ELZ			-1		10		



Company : Tower Engineering Professionals, Inc.
 Designer : AJW
 Job Number : TEP No. 25556.515364
 Model Name : 6310 - FRANKLIN CT

Mar 29, 2021
 4:38 PM
 Checked By: -

Load Combinations

Description	So.	P...	S...	BLC Fac..	BLC Fac..	BLC Fac..	BLC Fac..	BLC Fac..	BLC Fac..	BLC Fac..	BLC Fac..	BLC Fac..	BLC Fac..	BLC Fac..	BLC Fac..
1 1.4D	Yes	Y		1	1.4										
2 0.9D+1.0 0-Wind	Yes	Y		1	.9	2	1								
3 0.9D+1.0 30-Wind	Yes	Y		1	.9	3	1								
4 0.9D+1.0 45-Wind	Yes	Y		1	.9	4	1								
5 0.9D+1.0 60-Wind	Yes	Y		1	.9	5	1								
6 0.9D+1.0 90-Wind	Yes	Y		1	.9	6	1								
7 0.9D+1.0 120-Wind	Yes	Y		1	.9	7	1								
8 0.9D+1.0 135-Wind	Yes	Y		1	.9	8	1								
9 0.9D+1.0 150-Wind	Yes	Y		1	.9	9	1								
10 0.9D+1.0 180-Wind	Yes	Y		1	.9	10	1								
11 0.9D+1.0 210-Wind	Yes	Y		1	.9	11	1								
12 0.9D+1.0 225-Wind	Yes	Y		1	.9	12	1								
13 0.9D+1.0 240-Wind	Yes	Y		1	.9	13	1								
14 0.9D+1.0 270-Wind	Yes	Y		1	.9	14	1								
15 0.9D+1.0 300-Wind	Yes	Y		1	.9	15	1								
16 0.9D+1.0 315-Wind	Yes	Y		1	.9	16	1								
17 0.9D+1.0 330-Wind	Yes	Y		1	.9	17	1								
18 1.2D+1.0 0-Wind	Yes	Y		1	1.2	2	1								
19 1.2D+1.0 30-Wind	Yes	Y		1	1.2	3	1								
20 1.2D+1.0 45-Wind	Yes	Y		1	1.2	4	1								
21 1.2D+1.0 60-Wind	Yes	Y		1	1.2	5	1								
22 1.2D+1.0 90-Wind	Yes	Y		1	1.2	6	1								
23 1.2D+1.0 120-Wind	Yes	Y		1	1.2	7	1								
24 1.2D+1.0 135-Wind	Yes	Y		1	1.2	8	1								
25 1.2D+1.0 150-Wind	Yes	Y		1	1.2	9	1								
26 1.2D+1.0 180-Wind	Yes	Y		1	1.2	10	1								
27 1.2D+1.0 210-Wind	Yes	Y		1	1.2	11	1								
28 1.2D+1.0 225-Wind	Yes	Y		1	1.2	12	1								
29 1.2D+1.0 240-Wind	Yes	Y		1	1.2	13	1								
30 1.2D+1.0 270-Wind	Yes	Y		1	1.2	14	1								
31 1.2D+1.0 300-Wind	Yes	Y		1	1.2	15	1								
32 1.2D+1.0 315-Wind	Yes	Y		1	1.2	16	1								
33 1.2D+1.0 330-Wind	Yes	Y		1	1.2	17	1								
34 1.2D+1.0Di+1.0 0-Wi...	Yes	Y		1	1.2	18	1	19	1						
35 1.2D+1.0Di+1.0 30-W...	Yes	Y		1	1.2	18	1	20	1						
36 1.2D+1.0Di+1.0 45-W...	Yes	Y		1	1.2	18	1	21	1						
37 1.2D+1.0Di+1.0 60-W...	Yes	Y		1	1.2	18	1	22	1						
38 1.2D+1.0Di+1.0 90-W...	Yes	Y		1	1.2	18	1	23	1						
39 1.2D+1.0Di+1.0 120-...	Yes	Y		1	1.2	18	1	24	1						
40 1.2D+1.0Di+1.0 135-...	Yes	Y		1	1.2	18	1	25	1						
41 1.2D+1.0Di+1.0 150-...	Yes	Y		1	1.2	18	1	26	1						
42 1.2D+1.0Di+1.0 180-...	Yes	Y		1	1.2	18	1	27	1						
43 1.2D+1.0Di+1.0 210-...	Yes	Y		1	1.2	18	1	28	1						
44 1.2D+1.0Di+1.0 225-...	Yes	Y		1	1.2	18	1	29	1						
45 1.2D+1.0Di+1.0 240-...	Yes	Y		1	1.2	18	1	30	1						
46 1.2D+1.0Di+1.0 270-...	Yes	Y		1	1.2	18	1	31	1						
47 1.2D+1.0Di+1.0 300-...	Yes	Y		1	1.2	18	1	32	1						
48 1.2D+1.0Di+1.0 315-...	Yes	Y		1	1.2	18	1	33	1						
49 1.2D+1.0Di+1.0 330-...	Yes	Y		1	1.2	18	1	34	1						
50 1.2D+1.5Lv	Yes	Y		36	1.5	1	1.2								
51 1.2D+1.5Lm+1.0 0-W...	Yes	Y		1	1.2	2	.059	35	1.5						



Company : Tower Engineering Professionals, Inc.
 Designer : AJW
 Job Number : TEP No. 25556.515364
 Model Name : 6310 - FRANKLIN CT

Mar 29, 2021
 4:38 PM
 Checked By: -

Load Combinations (Continued)

Description	So.	P...	S...	BLC Fac..	BLC Fac..	BLC Fac..	BLC Fac..	BLC Fac..	BLC Fac..	BLC Fac..	BLC Fac..	BLC Fac..	BLC Fac..	BLC Fac..	BLC Fac..
52 1.2D+1.5Lm+1.0 30-...	Yes	Y		1	1.2	3	.059	35	1.5						
53 1.2D+1.5Lm+1.0 45-...	Yes	Y		1	1.2	4	.059	35	1.5						
54 1.2D+1.5Lm+1.0 60-...	Yes	Y		1	1.2	5	.059	35	1.5						
55 1.2D+1.5Lm+1.0 90-...	Yes	Y		1	1.2	6	.059	35	1.5						
56 1.2D+1.5Lm+1.0 120-...	Yes	Y		1	1.2	7	.059	35	1.5						
57 1.2D+1.5Lm+1.0 135-...	Yes	Y		1	1.2	8	.059	35	1.5						
58 1.2D+1.5Lm+1.0 150-...	Yes	Y		1	1.2	9	.059	35	1.5						
59 1.2D+1.5Lm+1.0 180-...	Yes	Y		1	1.2	10	.059	35	1.5						
60 1.2D+1.5Lm+1.0 210-...	Yes	Y		1	1.2	11	.059	35	1.5						
61 1.2D+1.5Lm+1.0 225-...	Yes	Y		1	1.2	12	.059	35	1.5						
62 1.2D+1.5Lm+1.0 240-...	Yes	Y		1	1.2	13	.059	35	1.5						
63 1.2D+1.5Lm+1.0 270-...	Yes	Y		1	1.2	14	.059	35	1.5						
64 1.2D+1.5Lm+1.0 300-...	Yes	Y		1	1.2	15	.059	35	1.5						
65 1.2D+1.5Lm+1.0 315-...	Yes	Y		1	1.2	16	.059	35	1.5						
66 1.2D+1.5Lm+1.0 330-...	Yes	Y		1	1.2	17	.059	35	1.5						
67 (1.2+0.2Sds)D+1.0 0 ...	Y			1	1.2	ELX	.104	0							
68 (1.2+0.2Sds)D+1.0 3...	Y			1	1.2	ELX	.09	ELZ	.052						
69 (1.2+0.2Sds)D+1.0 4...	Y			1	1.2	ELX	.074	ELZ	.074						
70 (1.2+0.2Sds)D+1.0 6...	Y			1	1.2	ELX	.052	ELZ	.09						
71 (1.2+0.2Sds)D+1.0 9...	Y			1	1.2	0		ELZ	.104						
72 (1.2+0.2Sds)D+1.0 1...	Y			1	1.2	ELX	-.052	ELZ	.09						
73 (1.2+0.2Sds)D+1.0 1...	Y			1	1.2	ELX	-.074	ELZ	.074						
74 (1.2+0.2Sds)D+1.0 1...	Y			1	1.2	ELX	-.09	ELZ	.052						
75 (1.2+0.2Sds)D+1.0 1...	Y			1	1.2	ELX	-.104	0							
76 (1.2+0.2Sds)D+1.0 2...	Y			1	1.2	ELX	-.09	ELZ	.052						
77 (1.2+0.2Sds)D+1.0 2...	Y			1	1.2	ELX	-.074	ELZ	.074						
78 (1.2+0.2Sds)D+1.0 2...	Y			1	1.2	ELX	-.052	ELZ	.09						
79 (1.2+0.2Sds)D+1.0 2...	Y			1	1.2	0		ELZ	.104						
80 (1.2+0.2Sds)D+1.0 3...	Y			1	1.2	ELX	.052	ELZ	-.09						
81 (1.2+0.2Sds)D+1.0 3...	Y			1	1.2	ELX	.074	ELZ	.074						
82 (1.2+0.2Sds)D+1.0 3...	Y			1	1.2	ELX	.09	ELZ	-.052						
83 (0.9-0.2Sds)*DL+1.0 ...	Y			1	.858	ELX	.104	0							
84 (0.9-0.2Sds)*DL+1.0 ...	Y			1	.858	ELX	.09	ELZ	.052						
85 (0.9-0.2Sds)*DL+1.0 ...	Y			1	.858	ELX	.074	ELZ	.074						
86 (0.9-0.2Sds)*DL+1.0 ...	Y			1	.858	ELX	.052	ELZ	.09						
87 (0.9-0.2Sds)*DL+1.0 ...	Y			1	.858	0		ELZ	.104						
88 (0.9-0.2Sds)*DL+1.0 ...	Y			1	.858	ELX	-.052	ELZ	.09						
89 (0.9-0.2Sds)*DL+1.0 ...	Y			1	.858	ELX	-.074	ELZ	.074						
90 (0.9-0.2Sds)*DL+1.0 ...	Y			1	.858	ELX	-.09	ELZ	.052						
91 (0.9-0.2Sds)*DL+1.0 ...	Y			1	.858	ELX	-.104	0							
92 (0.9-0.2Sds)*DL+1.0 ...	Y			1	.858	ELX	-.09	ELZ	.052						
93 (0.9-0.2Sds)*DL+1.0 ...	Y			1	.858	ELX	-.074	ELZ	.074						
94 (0.9-0.2Sds)*DL+1.0 ...	Y			1	.858	ELX	-.052	ELZ	.09						
95 (0.9-0.2Sds)*DL+1.0 ...	Y			1	.858	0		ELZ	.104						
96 (0.9-0.2Sds)*DL+1.0 ...	Y			1	.858	ELX	.052	ELZ	-.09						
97 (0.9-0.2Sds)*DL+1.0 ...	Y			1	.858	ELX	.074	ELZ	.074						
98 (0.9-0.2Sds)*DL+1.0 ...	Y			1	.858	ELX	.09	ELZ	-.052						



Company : Tower Engineering Professionals, Inc.
 Designer : AJW
 Job Number : TEP No. 25556.515364
 Model Name : 6310 - FRANKLIN CT

Mar 29, 2021
 4:38 PM
 Checked By: -

Joint Loads and Enforced Displacements (BLC 35 : Lm)

Joint Label	L,D,M	Direction	Magnitude[(k,k-ft), (in.rad), (k*s^2/ft, k*s^2*ft)]	
1	N50	L	Y	-5

Joint Loads and Enforced Displacements (BLC 36 : Lv)

Joint Label	L,D,M	Direction	Magnitude[(k,k-ft), (in.rad), (k*s^2/ft, k*s^2*ft)]	
1	FF5	L	Y	-25

Member Point Loads (BLC 1 : Dead)

Member Label	Direction	Magnitude[k,k-ft]	Location[ft,%]
1	MP-1	Y	.5
2	MP-1	Y	3
3	MP-3	Y	3
4	MP-4	Y	.5
5	MP-4	Y	3
6	MP-4	Y	3
7	SF1-TH	Y	1
8	MP-1	Y	7.5
9	MP-3	Y	5
10	MP-4	Y	7.5

Member Point Loads (BLC 2 : 0 Wind - No Ice)

Member Label	Direction	Magnitude[k,k-ft]	Location[ft,%]
1	MP-1	X	.5
2	MP-1	X	3
3	MP-3	X	3
4	MP-4	X	.5
5	MP-4	X	3
6	MP-4	X	3
7	SF1-TH	X	1
8	MP-1	X	7.5
9	MP-3	X	5
10	MP-4	X	7.5

Member Point Loads (BLC 3 : 30 Wind - No Ice)

Member Label	Direction	Magnitude[k,k-ft]	Location[ft,%]
1	MP-1	X	.5
2	MP-1	X	3
3	MP-3	X	3
4	MP-4	X	.5
5	MP-4	X	3
6	MP-4	X	3
7	SF1-TH	X	1
8	MP-1	X	7.5
9	MP-3	X	5
10	MP-4	X	7.5
11	MP-1	Z	.5
12	MP-1	Z	3
13	MP-3	Z	3
14	MP-4	Z	.5



Company : Tower Engineering Professionals, Inc.
 Designer : AJW
 Job Number : TEP No. 25556.515364
 Model Name : 6310 - FRANKLIN CT

Mar 29, 2021
 4:38 PM
 Checked By: -

Member Point Loads (BLC 3 : 30 Wind - No Ice) (Continued)

Member Label	Direction	Magnitude[k,k-ft]	Location[ft,%]
15	MP-4	Z	.5
16	MP-4	Z	3
17	SF1-TH	Z	1
18	MP-1	Z	7.5
19	MP-3	Z	5
20	MP-4	Z	7.5

Member Point Loads (BLC 4 : 45 Wind - No Ice)

Member Label	Direction	Magnitude[k,k-ft]	Location[ft,%]
1	MP-1	X	.5
2	MP-1	X	3
3	MP-3	X	3
4	MP-4	X	.5
5	MP-4	X	3
6	MP-4	X	3
7	SF1-TH	X	1
8	MP-1	X	7.5
9	MP-3	X	5
10	MP-4	X	7.5
11	MP-1	Z	.5
12	MP-1	Z	3
13	MP-3	Z	3
14	MP-4	Z	.5
15	MP-4	Z	3
16	MP-4	Z	3
17	SF1-TH	Z	1
18	MP-1	Z	7.5
19	MP-3	Z	5
20	MP-4	Z	7.5

Member Point Loads (BLC 5 : 60 Wind - No Ice)

Member Label	Direction	Magnitude[k,k-ft]	Location[ft,%]
1	MP-1	X	.5
2	MP-1	X	3
3	MP-3	X	3
4	MP-4	X	.5
5	MP-4	X	3
6	MP-4	X	3
7	SF1-TH	X	1
8	MP-1	X	7.5
9	MP-3	X	5
10	MP-4	X	7.5
11	MP-1	Z	.5
12	MP-1	Z	3
13	MP-3	Z	3
14	MP-4	Z	.5
15	MP-4	Z	3
16	MP-4	Z	3
17	SF1-TH	Z	1
18	MP-1	Z	7.5
19	MP-3	Z	5



Company : Tower Engineering Professionals, Inc.
 Designer : AJW
 Job Number : TEP No. 25556.515364
 Model Name : 6310 - FRANKLIN CT

Mar 29, 2021
 4:38 PM
 Checked By: -

Member Point Loads (BLC 5 : 60 Wind - No Ice) (Continued)

Member Label	Direction	Magnitude[k,k-ft]	Location[ft, %]
20	MP-4	Z	-.237 7.5

Member Point Loads (BLC 6 : 90 Wind - No Ice)

Member Label	Direction	Magnitude[k,k-ft]	Location[ft, %]
1	MP-1	Z	-.212 .5
2	MP-1	Z	-.055 3
3	MP-3	Z	-.07 3
4	MP-4	Z	-.21 .5
5	MP-4	Z	-.102 3
6	MP-4	Z	-.085 3
7	SF1-TH	Z	-.178 1
8	MP-1	Z	-.212 7.5
9	MP-3	Z	-.07 5
10	MP-4	Z	-.21 7.5

Member Point Loads (BLC 7 : 120 Wind - No Ice)

Member Label	Direction	Magnitude[k,k-ft]	Location[ft, %]
1	MP-1	X	.138 .5
2	MP-1	X	.032 3
3	MP-3	X	.039 3
4	MP-4	X	.137 .5
5	MP-4	X	.047 3
6	MP-4	X	.041 3
7	SF1-TH	X	.071 1
8	MP-1	X	.138 7.5
9	MP-3	X	.039 5
10	MP-4	X	.137 7.5
11	MP-1	Z	-.239 .5
12	MP-1	Z	-.056 3
13	MP-3	Z	-.068 3
14	MP-4	Z	-.237 .5
15	MP-4	Z	-.082 3
16	MP-4	Z	-.07 3
17	SF1-TH	Z	-.123 1
18	MP-1	Z	-.239 7.5
19	MP-3	Z	-.068 5
20	MP-4	Z	-.237 7.5

Member Point Loads (BLC 8 : 135 Wind - No Ice)

Member Label	Direction	Magnitude[k,k-ft]	Location[ft, %]
1	MP-1	X	.241 .5
2	MP-1	X	.053 3
3	MP-3	X	.062 3
4	MP-4	X	.238 .5
5	MP-4	X	.062 3
6	MP-4	X	.055 3
7	SF1-TH	X	.102 1
8	MP-1	X	.241 7.5
9	MP-3	X	.062 5
10	MP-4	X	.238 7.5



Company : Tower Engineering Professionals, Inc.
 Designer : AJW
 Job Number : TEP No. 25556.515364
 Model Name : 6310 - FRANKLIN CT

Mar 29, 2021
 4:38 PM
 Checked By: -

Member Point Loads (BLC 8 : 135 Wind - No Ice) (Continued)

Member Label	Direction	Magnitude[k,k-ft]	Location[ft, %]
11	MP-1	Z	-.241 .5
12	MP-1	Z	-.053 3
13	MP-3	Z	-.062 3
14	MP-4	Z	-.238 .5
15	MP-4	Z	-.062 3
16	MP-4	Z	-.055 3
17	SF1-TH	Z	-.102 1
18	MP-1	Z	-.241 7.5
19	MP-3	Z	-.062 5
20	MP-4	Z	-.238 7.5

Member Point Loads (BLC 9 : 150 Wind - No Ice)

Member Label	Direction	Magnitude[k,k-ft]	Location[ft, %]
1	MP-1	X	.35 .5
2	MP-1	X	.074 3
3	MP-3	X	.083 3
4	MP-4	X	.346 .5
5	MP-4	X	.069 3
6	MP-4	X	.064 3
7	SF1-TH	X	.137 1
8	MP-1	X	.35 7.5
9	MP-3	X	.083 5
10	MP-4	X	.346 7.5
11	MP-1	Z	-.202 .5
12	MP-1	Z	-.043 3
13	MP-3	Z	-.048 3
14	MP-4	Z	-.2 .5
15	MP-4	Z	-.04 3
16	MP-4	Z	-.037 3
17	SF1-TH	Z	-.079 1
18	MP-1	Z	-.202 7.5
19	MP-3	Z	-.048 5
20	MP-4	Z	-.2 7.5

Member Point Loads (BLC 10 : 180 Wind - No Ice)

Member Label	Direction	Magnitude[k,k-ft]	Location[ft, %]
1	MP-1	X	.468 .5
2	MP-1	X	.095 3
3	MP-3	X	.104 3
4	MP-4	X	.462 .5
5	MP-4	X	.073 3
6	MP-4	X	.07 3
7	SF1-TH	X	.211 1
8	MP-1	X	.468 7.5
9	MP-3	X	.104 5
10	MP-4	X	.462 7.5

Member Point Loads (BLC 11 : 210 Wind - No Ice)

Member Label	Direction	Magnitude[k,k-ft]	Location[ft, %]
1	MP-1	X	.35 .5



Company : Tower Engineering Professionals, Inc.
 Designer : AJW
 Job Number : TEP No. 25556.515364
 Model Name : 6310 - FRANKLIN CT

Mar 29, 2021
 4:38 PM
 Checked By: -

Member Point Loads (BLC 11 : 210 Wind - No Ice) (Continued)

Member Label	Direction	Magnitude[k,k-ft]	Location[ft, %]	
2	MP-1	X	.074	3
3	MP-3	X	.083	3
4	MP-4	X	.346	5
5	MP-4	X	.069	3
6	MP-4	X	.064	3
7	SF1-TH	X	.214	1
8	MP-1	X	.35	7.5
9	MP-3	X	.083	5
10	MP-4	X	.346	7.5
11	MP-1	Z	.202	.5
12	MP-1	Z	.043	3
13	MP-3	Z	.048	3
14	MP-4	Z	.2	.5
15	MP-4	Z	.04	3
16	MP-4	Z	.037	3
17	SF1-TH	Z	.123	1
18	MP-1	Z	.202	7.5
19	MP-3	Z	.048	5
20	MP-4	Z	.2	7.5

Member Point Loads (BLC 12 : 225 Wind - No Ice)

Member Label	Direction	Magnitude[k,k-ft]	Location[ft, %]	
1	MP-1	X	.241	.5
2	MP-1	X	.053	3
3	MP-3	X	.062	3
4	MP-4	X	.238	.5
5	MP-4	X	.062	3
6	MP-4	X	.055	3
7	SF1-TH	X	.173	1
8	MP-1	X	.241	7.5
9	MP-3	X	.062	5
10	MP-4	X	.238	7.5
11	MP-1	Z	.241	.5
12	MP-1	Z	.053	3
13	MP-3	Z	.062	3
14	MP-4	Z	.238	.5
15	MP-4	Z	.062	3
16	MP-4	Z	.055	3
17	SF1-TH	Z	.173	1
18	MP-1	Z	.241	7.5
19	MP-3	Z	.062	5
20	MP-4	Z	.238	7.5

Member Point Loads (BLC 13 : 240 Wind - No Ice)

Member Label	Direction	Magnitude[k,k-ft]	Location[ft, %]	
1	MP-1	X	.138	.5
2	MP-1	X	.032	3
3	MP-3	X	.039	3
4	MP-4	X	.137	.5
5	MP-4	X	.047	3
6	MP-4	X	.041	3



Company : Tower Engineering Professionals, Inc.
 Designer : AJW
 Job Number : TEP No. 25556.515364
 Model Name : 6310 - FRANKLIN CT

Mar 29, 2021
 4:38 PM
 Checked By: -

Member Point Loads (BLC 13 : 240 Wind - No Ice) (Continued)

Member Label	Direction	Magnitude[k,k-ft]	Location[ft, %]	
7	SF1-TH	X	.115	1
8	MP-1	X	.138	7.5
9	MP-3	X	.039	5
10	MP-4	X	.137	7.5
11	MP-1	Z	.239	.5
12	MP-1	Z	.056	3
13	MP-3	Z	.068	3
14	MP-4	Z	.237	.5
15	MP-4	Z	.082	3
16	MP-4	Z	.07	3
17	SF1-TH	Z	.199	1
18	MP-1	Z	.239	7.5
19	MP-3	Z	.068	5
20	MP-4	Z	.237	7.5

Member Point Loads (BLC 14 : 270 Wind - No Ice)

Member Label	Direction	Magnitude[k,k-ft]	Location[ft, %]	
1	MP-1	Z	.212	.5
2	MP-1	Z	.055	3
3	MP-3	Z	.07	3
4	MP-4	Z	.21	.5
5	MP-4	Z	.102	3
6	MP-4	Z	.085	3
7	SF1-TH	Z	.178	1
8	MP-1	Z	.212	7.5
9	MP-3	Z	.07	5
10	MP-4	Z	.21	7.5

Member Point Loads (BLC 15 : 300 Wind - No Ice)

Member Label	Direction	Magnitude[k,k-ft]	Location[ft, %]	
1	MP-1	X	-.138	.5
2	MP-1	X	-.032	3
3	MP-3	X	-.039	3
4	MP-4	X	-.137	.5
5	MP-4	X	-.047	3
6	MP-4	X	-.041	3
7	SF1-TH	X	-.071	1
8	MP-1	X	-.138	7.5
9	MP-3	X	-.039	5
10	MP-4	X	-.137	7.5
11	MP-1	Z	.239	.5
12	MP-1	Z	.056	3
13	MP-3	Z	.068	3
14	MP-4	Z	.237	.5
15	MP-4	Z	.082	3
16	MP-4	Z	.07	3
17	SF1-TH	Z	.123	1
18	MP-1	Z	.239	7.5
19	MP-3	Z	.068	5
20	MP-4	Z	.237	7.5



Company : Tower Engineering Professionals, Inc.
 Designer : AJW
 Job Number : TEP No. 25556.515364
 Model Name : 6310 - FRANKLIN CT

Mar 29, 2021
 4:38 PM
 Checked By: -

Member Point Loads (BLC 16 : 315 Wind - No Ice)

Member Label	Direction	Magnitude[k,k-ft]	Location[ft, %]	
1	MP-1	X	-.241	.5
2	MP-1	X	-.053	3
3	MP-3	X	-.062	3
4	MP-4	X	-.238	.5
5	MP-4	X	-.062	3
6	MP-4	X	-.055	3
7	SF 1-TH	X	-.102	1
8	MP-1	X	-.241	7.5
9	MP-3	X	-.062	5
10	MP-4	X	-.238	7.5
11	MP-1	Z	.241	.5
12	MP-1	Z	.053	3
13	MP-3	Z	.062	3
14	MP-4	Z	.238	.5
15	MP-4	Z	.062	3
16	MP-4	Z	.055	3
17	SF 1-TH	Z	.102	1
18	MP-1	Z	.241	7.5
19	MP-3	Z	.062	5
20	MP-4	Z	.238	7.5

Member Point Loads (BLC 17 : 330 Wind - No Ice)

Member Label	Direction	Magnitude[k,k-ft]	Location[ft, %]	
1	MP-1	X	-.35	.5
2	MP-1	X	-.074	3
3	MP-3	X	-.083	3
4	MP-4	X	-.346	.5
5	MP-4	X	-.069	3
6	MP-4	X	-.064	3
7	SF 1-TH	X	-.137	1
8	MP-1	X	-.35	7.5
9	MP-3	X	-.083	5
10	MP-4	X	-.346	7.5
11	MP-1	Z	.202	.5
12	MP-1	Z	.043	3
13	MP-3	Z	.048	3
14	MP-4	Z	.2	.5
15	MP-4	Z	.04	3
16	MP-4	Z	.037	3
17	SF 1-TH	Z	.079	1
18	MP-1	Z	.202	7.5
19	MP-3	Z	.048	5
20	MP-4	Z	.2	7.5

Member Point Loads (BLC 18 : Ice Weight)

Member Label	Direction	Magnitude[k,k-ft]	Location[ft, %]	
1	MP-1	Y	-.14	.5
2	MP-1	Y	-.048	3
3	MP-3	Y	-.048	3
4	MP-4	Y	-.138	.5
5	MP-4	Y	-.055	3



Company : Tower Engineering Professionals, Inc.
 Designer : AJW
 Job Number : TEP No. 25556.515364
 Model Name : 6310 - FRANKLIN CT

Mar 29, 2021
 4:38 PM
 Checked By: -

Member Point Loads (BLC 18 : Ice Weight) (Continued)

Member Label	Direction	Magnitude[k,k-ft]	Location[ft, %]	
6	MP-4	Y	-.052	3
7	SF 1-TH	Y	-.107	1
8	MP-1	Y	-.14	7.5
9	MP-3	Y	-.048	5
10	MP-4	Y	-.138	7.5

Member Point Loads (BLC 19 : 0 Wind - Ice)

Member Label	Direction	Magnitude[k,k-ft]	Location[ft, %]	
1	MP-1	X	-.088	.5
2	MP-1	X	-.022	3
3	MP-3	X	-.022	3
4	MP-4	X	-.087	.5
5	MP-4	X	-.023	3
6	MP-4	X	-.02	3
7	SF 1-TH	X	-.051	1
8	MP-1	X	-.088	7.5
9	MP-3	X	-.022	5
10	MP-4	X	-.087	7.5

Member Point Loads (BLC 20 : 30 Wind - Ice)

Member Label	Direction	Magnitude[k,k-ft]	Location[ft, %]	
1	MP-1	X	-.067	.5
2	MP-1	X	-.017	3
3	MP-3	X	-.018	3
4	MP-4	X	-.066	.5
5	MP-4	X	-.016	3
6	MP-4	X	-.015	3
7	SF 1-TH	X	-.044	1
8	MP-1	X	-.067	7.5
9	MP-3	X	-.018	5
10	MP-4	X	-.066	7.5
11	MP-1	Z	-.039	.5
12	MP-1	Z	-.01	3
13	MP-3	Z	-.01	3
14	MP-4	Z	-.038	.5
15	MP-4	Z	-.01	3
16	MP-4	Z	-.009	3
17	SF 1-TH	Z	-.025	1
18	MP-1	Z	-.039	7.5
19	MP-3	Z	-.01	5
20	MP-4	Z	-.038	7.5

Member Point Loads (BLC 21 : 45 Wind - Ice)

Member Label	Direction	Magnitude[k,k-ft]	Location[ft, %]	
1	MP-1	X	-.047	.5
2	MP-1	X	-.013	3
3	MP-3	X	-.013	3
4	MP-4	X	-.047	.5
5	MP-4	X	-.014	3
6	MP-4	X	-.013	3



Company : Tower Engineering Professionals, Inc.
 Designer : AJW
 Job Number : TEP No. 25556.515364
 Model Name : 6310 - FRANKLIN CT

Mar 29, 2021
 4:38 PM
 Checked By: -

Member Point Loads (BLC 21 : 45 Wind - Ice) (Continued)

Member Label	Direction	Magnitude[k,k-ft]	Location[ft, %]
7	SF 1-TH	X	1
8	MP-1	X	7.5
9	MP-3	X	5
10	MP-4	X	7.5
11	MP-1	Z	5
12	MP-1	Z	3
13	MP-3	Z	3
14	MP-4	Z	5
15	MP-4	Z	3
16	MP-4	Z	3
17	SF 1-TH	Z	1
18	MP-1	Z	7.5
19	MP-3	Z	5
20	MP-4	Z	7.5

Member Point Loads (BLC 22 : 60 Wind - Ice)

Member Label	Direction	Magnitude[k,k-ft]	Location[ft, %]
1	MP-1	X	5
2	MP-1	X	3
3	MP-3	X	3
4	MP-4	X	5
5	MP-4	X	3
6	MP-4	X	3
7	SF 1-TH	X	1
8	MP-1	X	7.5
9	MP-3	X	5
10	MP-4	X	7.5
11	MP-1	Z	5
12	MP-1	Z	3
13	MP-3	Z	3
14	MP-4	Z	5
15	MP-4	Z	3
16	MP-4	Z	3
17	SF 1-TH	Z	1
18	MP-1	Z	7.5
19	MP-3	Z	5
20	MP-4	Z	7.5

Member Point Loads (BLC 23 : 90 Wind - Ice)

Member Label	Direction	Magnitude[k,k-ft]	Location[ft, %]
1	MP-1	Z	5
2	MP-1	Z	3
3	MP-3	Z	3
4	MP-4	Z	5
5	MP-4	Z	3
6	MP-4	Z	3
7	SF 1-TH	Z	1
8	MP-1	Z	7.5
9	MP-3	Z	5
10	MP-4	Z	7.5



Company : Tower Engineering Professionals, Inc.
 Designer : AJW
 Job Number : TEP No. 25556.515364
 Model Name : 6310 - FRANKLIN CT

Mar 29, 2021
 4:38 PM
 Checked By: -

Member Point Loads (BLC 24 : 120 Wind - Ice)

Member Label	Direction	Magnitude[k,k-ft]	Location[ft, %]
1	MP-1	X	5
2	MP-1	X	3
3	MP-3	X	3
4	MP-4	X	5
5	MP-4	X	3
6	MP-4	X	3
7	SF 1-TH	X	1
8	MP-1	X	7.5
9	MP-3	X	5
10	MP-4	X	7.5
11	MP-1	Z	5
12	MP-1	Z	3
13	MP-3	Z	3
14	MP-4	Z	5
15	MP-4	Z	3
16	MP-4	Z	3
17	SF 1-TH	Z	1
18	MP-1	Z	7.5
19	MP-3	Z	5
20	MP-4	Z	7.5

Member Point Loads (BLC 25 : 135 Wind - Ice)

Member Label	Direction	Magnitude[k,k-ft]	Location[ft, %]
1	MP-1	X	5
2	MP-1	X	3
3	MP-3	X	3
4	MP-4	X	5
5	MP-4	X	3
6	MP-4	X	3
7	SF 1-TH	X	1
8	MP-1	X	7.5
9	MP-3	X	5
10	MP-4	X	7.5
11	MP-1	Z	5
12	MP-1	Z	3
13	MP-3	Z	3
14	MP-4	Z	5
15	MP-4	Z	3
16	MP-4	Z	3
17	SF 1-TH	Z	1
18	MP-1	Z	7.5
19	MP-3	Z	5
20	MP-4	Z	7.5

Member Point Loads (BLC 26 : 150 Wind - Ice)

Member Label	Direction	Magnitude[k,k-ft]	Location[ft, %]
1	MP-1	X	5
2	MP-1	X	3
3	MP-3	X	3
4	MP-4	X	5
5	MP-4	X	3



Company : Tower Engineering Professionals, Inc.
 Designer : AJW
 Job Number : TEP No. 25556.515364
 Model Name : 6310 - FRANKLIN CT

Mar 29, 2021
 4:38 PM
 Checked By: -

Member Point Loads (BLC 26 : 150 Wind - Ice) (Continued)

Member Label	Direction	Magnitude[k,k-ft]	Location[ft, %]	
6	MP-4	X	.015	3
7	SF1-TH	X	.03	1
8	MP-1	X	.067	7.5
9	MP-3	X	.018	5
10	MP-4	X	.066	7.5
11	MP-1	Z	-.039	.5
12	MP-1	Z	-.01	3
13	MP-3	Z	-.01	3
14	MP-4	Z	-.038	.5
15	MP-4	Z	-.01	3
16	MP-4	Z	-.009	3
17	SF1-TH	Z	-.017	1
18	MP-1	Z	-.039	7.5
19	MP-3	Z	-.01	5
20	MP-4	Z	-.038	7.5

Member Point Loads (BLC 27 : 180 Wind - Ice)

Member Label	Direction	Magnitude[k,k-ft]	Location[ft, %]	
1	MP-1	X	.088	.5
2	MP-1	X	.022	3
3	MP-3	X	.022	3
4	MP-4	X	.087	.5
5	MP-4	X	.023	3
6	MP-4	X	.02	3
7	SF1-TH	X	.051	1
8	MP-1	X	.088	7.5
9	MP-3	X	.022	5
10	MP-4	X	.087	7.5

Member Point Loads (BLC 28 : 210 Wind - Ice)

Member Label	Direction	Magnitude[k,k-ft]	Location[ft, %]	
1	MP-1	X	.067	.5
2	MP-1	X	.017	3
3	MP-3	X	.018	3
4	MP-4	X	.066	.5
5	MP-4	X	.016	3
6	MP-4	X	.015	3
7	SF1-TH	X	.044	1
8	MP-1	X	.067	7.5
9	MP-3	X	.018	5
10	MP-4	X	.066	7.5
11	MP-1	Z	.039	.5
12	MP-1	Z	.01	3
13	MP-3	Z	.01	3
14	MP-4	Z	.038	.5
15	MP-4	Z	.01	3
16	MP-4	Z	.009	3
17	SF1-TH	Z	.025	1
18	MP-1	Z	.039	7.5
19	MP-3	Z	.01	5
20	MP-4	Z	.038	7.5



Company : Tower Engineering Professionals, Inc.
 Designer : AJW
 Job Number : TEP No. 25556.515364
 Model Name : 6310 - FRANKLIN CT

Mar 29, 2021
 4:38 PM
 Checked By: -

Member Point Loads (BLC 29 : 225 Wind - Ice)

Member Label	Direction	Magnitude[k,k-ft]	Location[ft, %]	
1	MP-1	X	.047	.5
2	MP-1	X	.013	3
3	MP-3	X	.013	3
4	MP-4	X	.047	.5
5	MP-4	X	.014	3
6	MP-4	X	.013	3
7	SF1-TH	X	.036	1
8	MP-1	X	.047	7.5
9	MP-3	X	.013	5
10	MP-4	X	.047	7.5
11	MP-1	Z	.047	.5
12	MP-1	Z	.013	3
13	MP-3	Z	.013	3
14	MP-4	Z	.047	.5
15	MP-4	Z	.014	3
16	MP-4	Z	.013	3
17	SF1-TH	Z	.036	1
18	MP-1	Z	.047	7.5
19	MP-3	Z	.013	5
20	MP-4	Z	.047	7.5

Member Point Loads (BLC 30 : 240 Wind - Ice)

Member Label	Direction	Magnitude[k,k-ft]	Location[ft, %]	
1	MP-1	X	.028	.5
2	MP-1	X	.008	3
3	MP-3	X	.009	3
4	MP-4	X	.028	.5
5	MP-4	X	.011	3
6	MP-4	X	.01	3
7	SF1-TH	X	.024	1
8	MP-1	X	.028	7.5
9	MP-3	X	.009	5
10	MP-4	X	.028	7.5
11	MP-1	Z	.049	.5
12	MP-1	Z	.014	3
13	MP-3	Z	.015	3
14	MP-4	Z	.048	.5
15	MP-4	Z	.019	3
16	MP-4	Z	.017	3
17	SF1-TH	Z	.041	1
18	MP-1	Z	.049	7.5
19	MP-3	Z	.015	5
20	MP-4	Z	.048	7.5

Member Point Loads (BLC 31 : 270 Wind - Ice)

Member Label	Direction	Magnitude[k,k-ft]	Location[ft, %]	
1	MP-1	Z	.045	.5
2	MP-1	Z	.014	3
3	MP-3	Z	.016	3
4	MP-4	Z	.045	.5
5	MP-4	Z	.018	3



Company : Tower Engineering Professionals, Inc.
 Designer : AJW
 Job Number : TEP No. 25556.515364
 Model Name : 6310 - FRANKLIN CT

Mar 29, 2021
 4:38 PM
 Checked By: -

Member Point Loads (BLC 31 : 270 Wind - Ice) (Continued)

Member Label	Direction	Magnitude[k,k-ft]	Location[ft, %]	
6	MP-4	Z	.017	3
7	SF1-TH	Z	.031	1
8	MP-1	Z	.045	7.5
9	MP-3	Z	.016	5
10	MP-4	Z	.045	7.5

Member Point Loads (BLC 32 : 300 Wind - Ice)

Member Label	Direction	Magnitude[k,k-ft]	Location[ft, %]	
1	MP-1	X	-.028	.5
2	MP-1	X	-.008	3
3	MP-3	X	-.009	3
4	MP-4	X	-.028	5
5	MP-4	X	-.011	3
6	MP-4	X	-.01	3
7	SF1-TH	X	-.016	1
8	MP-1	X	-.028	7.5
9	MP-3	X	-.009	5
10	MP-4	X	-.028	7.5
11	MP-1	Z	.049	.5
12	MP-1	Z	.014	3
13	MP-3	Z	.015	3
14	MP-4	Z	.048	.5
15	MP-4	Z	.019	3
16	MP-4	Z	.017	3
17	SF1-TH	Z	.027	1
18	MP-1	Z	.049	7.5
19	MP-3	Z	.015	5
20	MP-4	Z	.048	7.5

Member Point Loads (BLC 33 : 315 Wind - Ice)

Member Label	Direction	Magnitude[k,k-ft]	Location[ft, %]	
1	MP-1	X	-.047	.5
2	MP-1	X	-.013	3
3	MP-3	X	-.013	3
4	MP-4	X	-.047	.5
5	MP-4	X	-.014	3
6	MP-4	X	-.013	3
7	SF1-TH	X	-.022	1
8	MP-1	X	-.047	7.5
9	MP-3	X	-.013	5
10	MP-4	X	-.047	7.5
11	MP-1	Z	.047	.5
12	MP-1	Z	.013	3
13	MP-3	Z	.013	3
14	MP-4	Z	.047	.5
15	MP-4	Z	.014	3
16	MP-4	Z	.013	3
17	SF1-TH	Z	.022	1
18	MP-1	Z	.047	7.5
19	MP-3	Z	.013	5
20	MP-4	Z	.047	7.5



Company : Tower Engineering Professionals, Inc.
 Designer : AJW
 Job Number : TEP No. 25556.515364
 Model Name : 6310 - FRANKLIN CT

Mar 29, 2021
 4:38 PM
 Checked By: -

Member Point Loads (BLC 34 : 330 Wind - Ice)

Member Label	Direction	Magnitude[k,k-ft]	Location[ft, %]	
1	MP-1	X	-.067	.5
2	MP-1	X	-.017	3
3	MP-3	X	-.018	3
4	MP-4	X	-.066	.5
5	MP-4	X	-.016	3
6	MP-4	X	-.015	3
7	SF1-TH	X	-.03	1
8	MP-1	X	-.067	7.5
9	MP-3	X	-.018	5
10	MP-4	X	-.066	7.5
11	MP-1	Z	.039	.5
12	MP-1	Z	.01	3
13	MP-3	Z	.01	3
14	MP-4	Z	.038	.5
15	MP-4	Z	.01	3
16	MP-4	Z	.009	3
17	SF1-TH	Z	.017	1
18	MP-1	Z	.039	7.5
19	MP-3	Z	.01	5
20	MP-4	Z	.038	7.5

Member Point Loads (BLC 37 : Seismic Load X)

Member Label	Direction	Magnitude[k,k-ft]	Location[ft, %]	
1	MP-1	X	-.041	.5
2	MP-1	X	-.06	3
3	MP-3	X	-.041	3
4	MP-4	X	-.048	.5
5	MP-4	X	-.071	3
6	MP-4	X	-.072	3
7	SF1-TH	X	-.016	1
8	MP-1	X	-.041	7.5
9	MP-3	X	-.041	5
10	MP-4	X	-.048	7.5

Member Point Loads (BLC 38 : Seismic Load Z)

Member Label	Direction	Magnitude[k,k-ft]	Location[ft, %]	
1	MP-1	Z	-.041	.5
2	MP-1	Z	-.06	3
3	MP-3	Z	-.041	3
4	MP-4	Z	-.048	.5
5	MP-4	Z	-.071	3
6	MP-4	Z	-.072	3
7	SF1-TH	Z	-.016	1
8	MP-1	Z	-.041	7.5
9	MP-3	Z	-.041	5
10	MP-4	Z	-.048	7.5



Company : Tower Engineering Professionals, Inc.
 Designer : AJW
 Job Number : TEP No. 25556.515364
 Model Name : 6310 - FRANKLIN CT

Mar 29, 2021
 4:38 PM
 Checked By: -

Member Distributed Loads (BLC 2 : 0 Wind - No Ice)

Member Label	Direction	Start Magnitude[k/ft,F,ksf]	End Magnitude[k/ft...]	Start Location[ft,%]	End Location[ft,%]
1	FF1-BH1	X	-0.12	-0.12	0 %100
2	FF1-BH2	X	-0.12	-0.12	0 %100
3	FF1-BH3	X	-0.12	-0.12	0 %100
4	FF1-TH1	X	-0.12	-0.12	0 %100
5	FF1-TH2	X	-0.12	-0.12	0 %100
6	FF1-TH3	X	-0.12	-0.12	0 %100
7	FP-1	X	-0.03	-0.03	0 %100
8	FP-2	X	-0.03	-0.03	0 %100
9	FP-3	X	-0.03	-0.03	0 %100
10	FP-4	X	-0.03	-0.03	0 %100
11	MP-1	X	-0.12	-0.12	0 %100
12	MP-2	X	-0.12	-0.12	0 %100
13	MP-3	X	-0.12	-0.12	0 %100
14	MP-4	X	-0.12	-0.12	0 %100
15	SA-1	X	-0.12	-0.12	0 %100
16	SF1-D1	X	-0.04	-0.04	0 %100
17	SF1-V1	X	-0.04	-0.04	0 %100
18	SF1-V2	X	-0.04	-0.04	0 %100
19	SF2-D1	X	-0.04	-0.04	0 %100
20	SF2-V1	X	-0.04	-0.04	0 %100
21	SF2-V2	X	-0.04	-0.04	0 %100
22	SF1-BH	X	-0.09	-0.09	0 %100
23	SF1-TH	X	-0.09	-0.09	0 %100
24	SF2-BH	X	-0.09	-0.09	0 %100
25	SF2-TH	X	-0.09	-0.09	0 %100

Member Distributed Loads (BLC 3 : 30 Wind - No Ice)

Member Label	Direction	Start Magnitude[k/ft,F,ksf]	End Magnitude[k/ft...]	Start Location[ft,%]	End Location[ft,%]
1	FF1-BH1	X	-0.09	-0.09	0 %100
2	FF1-BH2	X	-0.09	-0.09	0 %100
3	FF1-BH3	X	-0.09	-0.09	0 %100
4	FF1-TH1	X	-0.09	-0.09	0 %100
5	FF1-TH2	X	-0.09	-0.09	0 %100
6	FF1-TH3	X	-0.09	-0.09	0 %100
7	FP-1	X	-0.02	-0.02	0 %100
8	FP-2	X	-0.02	-0.02	0 %100
9	FP-3	X	-0.02	-0.02	0 %100
10	FP-4	X	-0.02	-0.02	0 %100
11	MP-1	X	-0.11	-0.11	0 %100
12	MP-2	X	-0.11	-0.11	0 %100
13	MP-3	X	-0.11	-0.11	0 %100
14	MP-4	X	-0.11	-0.11	0 %100
15	SA-1	X	-0.11	-0.11	0 %100
16	SF1-D1	X	-0.03	-0.03	0 %100
17	SF1-V1	X	-0.03	-0.03	0 %100
18	SF1-V2	X	-0.03	-0.03	0 %100
19	SF2-D1	X	-0.03	-0.03	0 %100
20	SF2-V1	X	-0.03	-0.03	0 %100
21	SF2-V2	X	-0.03	-0.03	0 %100
22	SF1-BH	X	-0.09	-0.09	0 %100



Company : Tower Engineering Professionals, Inc.
 Designer : AJW
 Job Number : TEP No. 25556.515364
 Model Name : 6310 - FRANKLIN CT

Mar 29, 2021
 4:38 PM
 Checked By: -

Member Distributed Loads (BLC 3 : 30 Wind - No Ice) (Continued)

Member Label	Direction	Start Magnitude[k/ft,F,ksf]	End Magnitude[k/ft...]	Start Location[ft,%]	End Location[ft,%]
23	SF1-TH	X	-0.09	-0.09	0 %100
24	SF2-BH	X	-0.04	-0.04	0 %100
25	SF2-TH	X	-0.04	-0.04	0 %100
26	FF1-BH1	Z	-0.05	-0.05	0 %100
27	FF1-BH2	Z	-0.05	-0.05	0 %100
28	FF1-BH3	Z	-0.05	-0.05	0 %100
29	FF1-TH1	Z	-0.05	-0.05	0 %100
30	FF1-TH2	Z	-0.05	-0.05	0 %100
31	FF1-TH3	Z	-0.05	-0.05	0 %100
32	FP-1	Z	-0.01	-0.01	0 %100
33	FP-2	Z	-0.01	-0.01	0 %100
34	FP-3	Z	-0.01	-0.01	0 %100
35	FP-4	Z	-0.01	-0.01	0 %100
36	MP-1	Z	-0.06	-0.06	0 %100
37	MP-2	Z	-0.06	-0.06	0 %100
38	MP-3	Z	-0.06	-0.06	0 %100
39	MP-4	Z	-0.06	-0.06	0 %100
40	SA-1	Z	-0.06	-0.06	0 %100
41	SF1-D1	Z	-0.02	-0.02	0 %100
42	SF1-V1	Z	-0.02	-0.02	0 %100
43	SF1-V2	Z	-0.02	-0.02	0 %100
44	SF2-D1	Z	-0.02	-0.02	0 %100
45	SF2-V1	Z	-0.02	-0.02	0 %100
46	SF2-V2	Z	-0.02	-0.02	0 %100
47	SF1-BH	Z	-0.05	-0.05	0 %100
48	SF1-TH	Z	-0.05	-0.05	0 %100
49	SF2-BH	Z	-0.02	-0.02	0 %100
50	SF2-TH	Z	-0.02	-0.02	0 %100

Member Distributed Loads (BLC 4 : 45 Wind - No Ice)

Member Label	Direction	Start Magnitude[k/ft,F,ksf]	End Magnitude[k/ft...]	Start Location[ft,%]	End Location[ft,%]
1	FF1-BH1	X	-0.06	-0.06	0 %100
2	FF1-BH2	X	-0.06	-0.06	0 %100
3	FF1-BH3	X	-0.06	-0.06	0 %100
4	FF1-TH1	X	-0.06	-0.06	0 %100
5	FF1-TH2	X	-0.06	-0.06	0 %100
6	FF1-TH3	X	-0.06	-0.06	0 %100
7	FP-1	X	-0.02	-0.02	0 %100
8	FP-2	X	-0.02	-0.02	0 %100
9	FP-3	X	-0.02	-0.02	0 %100
10	FP-4	X	-0.02	-0.02	0 %100
11	MP-1	X	-0.09	-0.09	0 %100
12	MP-2	X	-0.09	-0.09	0 %100
13	MP-3	X	-0.09	-0.09	0 %100
14	MP-4	X	-0.09	-0.09	0 %100
15	SA-1	X	-0.09	-0.09	0 %100
16	SF1-D1	X	-0.03	-0.03	0 %100
17	SF1-V1	X	-0.03	-0.03	0 %100
18	SF1-V2	X	-0.03	-0.03	0 %100
19	SF2-D1	X	-0.03	-0.03	0 %100
20	SF2-V1	X	-0.03	-0.03	0 %100



Company : Tower Engineering Professionals, Inc.
 Designer : AJW
 Job Number : TEP No. 25556.515364
 Model Name : 6310 - FRANKLIN CT

Mar 29, 2021
 4:38 PM
 Checked By: -

Member Distributed Loads (BLC 4 : 45 Wind - No Ice) (Continued)

Member Label	Direction	Start Magnitude[k/ft,F,ksf]	End Magnitude[k/ft...Start Location(ft,%)	End Location(ft,%)
21	SF2-V2	X	-0.003	0 %100
22	SF1-BH	X	-0.007	0 %100
23	SF1-TH	X	-0.007	0 %100
24	SF2-BH	X	-0.001	0 %100
25	SF2-TH	X	-0.001	0 %100
26	FF1-BH1	Z	-0.006	0 %100
27	FF1-BH2	Z	-0.006	0 %100
28	FF1-BH3	Z	-0.006	0 %100
29	FF1-TH1	Z	-0.006	0 %100
30	FF1-TH2	Z	-0.006	0 %100
31	FF1-TH3	Z	-0.006	0 %100
32	FP-1	Z	-0.002	0 %100
33	FP-2	Z	-0.002	0 %100
34	FP-3	Z	-0.002	0 %100
35	FP-4	Z	-0.002	0 %100
36	MP-1	Z	-0.009	0 %100
37	MP-2	Z	-0.009	0 %100
38	MP-3	Z	-0.009	0 %100
39	MP-4	Z	-0.009	0 %100
40	SA-1	Z	-0.009	0 %100
41	SF1-D1	Z	-0.003	0 %100
42	SF1-V1	Z	-0.003	0 %100
43	SF1-V2	Z	-0.003	0 %100
44	SF2-D1	Z	-0.003	0 %100
45	SF2-V1	Z	-0.003	0 %100
46	SF2-V2	Z	-0.003	0 %100
47	SF1-BH	Z	-0.007	0 %100
48	SF1-TH	Z	-0.007	0 %100
49	SF2-BH	Z	-0.001	0 %100
50	SF2-TH	Z	-0.001	0 %100

Member Distributed Loads (BLC 5 : 60 Wind - No Ice)

Member Label	Direction	Start Magnitude[k/ft,F,ksf]	End Magnitude[k/ft...Start Location(ft,%)	End Location(ft,%)
1	FF1-BH1	X	-0.003	0 %100
2	FF1-BH2	X	-0.003	0 %100
3	FF1-BH3	X	-0.003	0 %100
4	FF1-TH1	X	-0.003	0 %100
5	FF1-TH2	X	-0.003	0 %100
6	FF1-TH3	X	-0.003	0 %100
7	FP-1	X	-0.000768	0 %100
8	FP-2	X	-0.000768	0 %100
9	FP-3	X	-0.000768	0 %100
10	FP-4	X	-0.000768	0 %100
11	MP-1	X	-0.006	0 %100
12	MP-2	X	-0.006	0 %100
13	MP-3	X	-0.006	0 %100
14	MP-4	X	-0.006	0 %100
15	SA-1	X	-0.006	0 %100
16	SF1-D1	X	-0.002	0 %100
17	SF1-V1	X	-0.002	0 %100
18	SF1-V2	X	-0.002	0 %100



Company : Tower Engineering Professionals, Inc.
 Designer : AJW
 Job Number : TEP No. 25556.515364
 Model Name : 6310 - FRANKLIN CT

Mar 29, 2021
 4:38 PM
 Checked By: -

Member Distributed Loads (BLC 5 : 60 Wind - No Ice) (Continued)

Member Label	Direction	Start Magnitude[k/ft,F,ksf]	End Magnitude[k/ft...Start Location(ft,%)	End Location(ft,%)
19	SF2-D1	X	-0.002	0 %100
20	SF2-V1	X	-0.002	0 %100
21	SF2-V2	X	-0.002	0 %100
22	SF1-BH	X	-0.005	0 %100
23	SF1-TH	X	-0.005	0 %100
24	SF2-BH	X	-0.00481	0 %100
25	SF2-TH	X	-0.00481	0 %100
26	FF1-BH1	Z	-0.005	0 %100
27	FF1-BH2	Z	-0.005	0 %100
28	FF1-BH3	Z	-0.005	0 %100
29	FF1-TH1	Z	-0.005	0 %100
30	FF1-TH2	Z	-0.005	0 %100
31	FF1-TH3	Z	-0.005	0 %100
32	FP-1	Z	-0.001	0 %100
33	FP-2	Z	-0.001	0 %100
34	FP-3	Z	-0.001	0 %100
35	FP-4	Z	-0.001	0 %100
36	MP-1	Z	-0.011	0 %100
37	MP-2	Z	-0.011	0 %100
38	MP-3	Z	-0.011	0 %100
39	MP-4	Z	-0.011	0 %100
40	SA-1	Z	-0.011	0 %100
41	SF1-D1	Z	-0.003	0 %100
42	SF1-V1	Z	-0.003	0 %100
43	SF1-V2	Z	-0.003	0 %100
44	SF2-D1	Z	-0.003	0 %100
45	SF2-V1	Z	-0.003	0 %100
46	SF2-V2	Z	-0.003	0 %100
47	SF1-BH	Z	-0.007	0 %100
48	SF1-TH	Z	-0.007	0 %100
49	SF2-BH	Z	-0.00741	0 %100
50	SF2-TH	Z	-0.00741	0 %100

Member Distributed Loads (BLC 6 : 90 Wind - No Ice)

Member Label	Direction	Start Magnitude[k/ft,F,ksf]	End Magnitude[k/ft...Start Location(ft,%)	End Location(ft,%)
1	FF1-BH1	Z	0	0 %100
2	FF1-BH2	Z	0	0 %100
3	FF1-BH3	Z	0	0 %100
4	FF1-TH1	Z	0	0 %100
5	FF1-TH2	Z	0	0 %100
6	FF1-TH3	Z	0	0 %100
7	FP-1	Z	0	0 %100
8	FP-2	Z	0	0 %100
9	FP-3	Z	0	0 %100
10	FP-4	Z	0	0 %100
11	MP-1	Z	-0.012	0 %100
12	MP-2	Z	-0.012	0 %100
13	MP-3	Z	-0.012	0 %100
14	MP-4	Z	-0.012	0 %100
15	SA-1	Z	-0.012	0 %100
16	SF1-D1	Z	-0.004	0 %100



Company : Tower Engineering Professionals, Inc.
 Designer : AJW
 Job Number : TEP No. 25556.515364
 Model Name : 6310 - FRANKLIN CT

Mar 29, 2021
 4:38 PM
 Checked By: -

Member Distributed Loads (BLC 6 : 90 Wind - No Ice) (Continued)

Member Label	Direction	Start Magnitude[k/ft,F,ksf]	End Magnitude[k/ft...Start Location(ft,%)	End Location(ft,%)
17	SF1-V1	Z	-0.004	0 %100
18	SF1-V2	Z	-0.004	0 %100
19	SF2-D1	Z	-0.004	0 %100
20	SF2-V1	Z	-0.004	0 %100
21	SF2-V2	Z	-0.004	0 %100
22	SF1-BH	Z	-0.005	0 %100
23	SF1-TH	Z	-0.005	0 %100
24	SF2-BH	Z	-0.005	0 %100
25	SF2-TH	Z	-0.005	0 %100

Member Distributed Loads (BLC 7 : 120 Wind - No Ice)

Member Label	Direction	Start Magnitude[k/ft,F,ksf]	End Magnitude[k/ft...Start Location(ft,%)	End Location(ft,%)
1	FF1-BH1	X	.003	0 %100
2	FF1-BH2	X	.003	0 %100
3	FF1-BH3	X	.003	0 %100
4	FF1-TH1	X	.003	0 %100
5	FF1-TH2	X	.003	0 %100
6	FF1-TH3	X	.003	0 %100
7	FP-1	X	.000768	0 %100
8	FP-2	X	.000768	0 %100
9	FP-3	X	.000768	0 %100
10	FP-4	X	.000768	0 %100
11	MP-1	X	.006	0 %100
12	MP-2	X	.006	0 %100
13	MP-3	X	.006	0 %100
14	MP-4	X	.006	0 %100
15	SA-1	X	.006	0 %100
16	SF1-D1	X	.002	0 %100
17	SF1-V1	X	.002	0 %100
18	SF1-V2	X	.002	0 %100
19	SF2-D1	X	.002	0 %100
20	SF2-V1	X	.002	0 %100
21	SF2-V2	X	.002	0 %100
22	SF1-BH	X	.000481	0 %100
23	SF1-TH	X	.000481	0 %100
24	SF2-BH	X	.005	0 %100
25	SF2-TH	X	.005	0 %100
26	FF1-BH1	Z	-0.005	0 %100
27	FF1-BH2	Z	-0.005	0 %100
28	FF1-BH3	Z	-0.005	0 %100
29	FF1-TH1	Z	-0.005	0 %100
30	FF1-TH2	Z	-0.005	0 %100
31	FF1-TH3	Z	-0.005	0 %100
32	FP-1	Z	-0.001	0 %100
33	FP-2	Z	-0.001	0 %100
34	FP-3	Z	-0.001	0 %100
35	FP-4	Z	-0.001	0 %100
36	MP-1	Z	-0.011	0 %100
37	MP-2	Z	-0.011	0 %100
38	MP-3	Z	-0.011	0 %100
39	MP-4	Z	-0.011	0 %100



Company : Tower Engineering Professionals, Inc.
 Designer : AJW
 Job Number : TEP No. 25556.515364
 Model Name : 6310 - FRANKLIN CT

Mar 29, 2021
 4:38 PM
 Checked By: -

Member Distributed Loads (BLC 7 : 120 Wind - No Ice) (Continued)

Member Label	Direction	Start Magnitude[k/ft,F,ksf]	End Magnitude[k/ft...Start Location(ft,%)	End Location(ft,%)
40	SA-1	Z	-0.011	0 %100
41	SF1-D1	Z	-0.003	0 %100
42	SF1-V1	Z	-0.003	0 %100
43	SF1-V2	Z	-0.003	0 %100
44	SF2-D1	Z	-0.003	0 %100
45	SF2-V1	Z	-0.003	0 %100
46	SF2-V2	Z	-0.003	0 %100
47	SF1-BH	Z	-0.000741	0 %100
48	SF1-TH	Z	-0.000741	0 %100
49	SF2-BH	Z	-0.007	0 %100
50	SF2-TH	Z	-0.007	0 %100

Member Distributed Loads (BLC 8 : 135 Wind - No Ice)

Member Label	Direction	Start Magnitude[k/ft,F,ksf]	End Magnitude[k/ft...Start Location(ft,%)	End Location(ft,%)
1	FF1-BH1	X	.006	0 %100
2	FF1-BH2	X	.006	0 %100
3	FF1-BH3	X	.006	0 %100
4	FF1-TH1	X	.006	0 %100
5	FF1-TH2	X	.006	0 %100
6	FF1-TH3	X	.006	0 %100
7	FP-1	X	.002	0 %100
8	FP-2	X	.002	0 %100
9	FP-3	X	.002	0 %100
10	FP-4	X	.002	0 %100
11	MP-1	X	.009	0 %100
12	MP-2	X	.009	0 %100
13	MP-3	X	.009	0 %100
14	MP-4	X	.009	0 %100
15	SA-1	X	.009	0 %100
16	SF1-D1	X	.003	0 %100
17	SF1-V1	X	.003	0 %100
18	SF1-V2	X	.003	0 %100
19	SF2-D1	X	.003	0 %100
20	SF2-V1	X	.003	0 %100
21	SF2-V2	X	.003	0 %100
22	SF1-BH	X	.001	0 %100
23	SF1-TH	X	.001	0 %100
24	SF2-BH	X	.007	0 %100
25	SF2-TH	X	.007	0 %100
26	FF1-BH1	Z	-0.006	0 %100
27	FF1-BH2	Z	-0.006	0 %100
28	FF1-BH3	Z	-0.006	0 %100
29	FF1-TH1	Z	-0.006	0 %100
30	FF1-TH2	Z	-0.006	0 %100
31	FF1-TH3	Z	-0.006	0 %100
32	FP-1	Z	-0.002	0 %100
33	FP-2	Z	-0.002	0 %100
34	FP-3	Z	-0.002	0 %100
35	FP-4	Z	-0.002	0 %100
36	MP-1	Z	-0.009	0 %100
37	MP-2	Z	-0.009	0 %100



Company : Tower Engineering Professionals, Inc.
 Designer : AJW
 Job Number : TEP No. 25556.515364
 Model Name : 6310 - FRANKLIN CT

Mar 29, 2021
 4:38 PM
 Checked By: -

Member Distributed Loads (BLC 8 : 135 Wind - No Ice) (Continued)

Member Label	Direction	Start Magnitude[k/ft,F,ksf]	End Magnitude[k/ft...Start Location(ft,%)	End Location(ft,%)
38	MP-3	Z	-0.009	0 %100
39	MP-4	Z	-0.009	0 %100
40	SA-1	Z	-0.009	0 %100
41	SF1-D1	Z	-0.003	0 %100
42	SF1-V1	Z	-0.003	0 %100
43	SF1-V2	Z	-0.003	0 %100
44	SF2-D1	Z	-0.003	0 %100
45	SF2-V1	Z	-0.003	0 %100
46	SF2-V2	Z	-0.003	0 %100
47	SF1-BH	Z	-0.001	0 %100
48	SF1-TH	Z	-0.001	0 %100
49	SF2-BH	Z	-0.007	0 %100
50	SF2-TH	Z	-0.007	0 %100

Member Distributed Loads (BLC 9 : 150 Wind - No Ice)

Member Label	Direction	Start Magnitude[k/ft,F,ksf]	End Magnitude[k/ft...Start Location(ft,%)	End Location(ft,%)
1	FF1-BH1	X	.009	0 %100
2	FF1-BH2	X	.009	0 %100
3	FF1-BH3	X	.009	0 %100
4	FF1-TH1	X	.009	0 %100
5	FF1-TH2	X	.009	0 %100
6	FF1-TH3	X	.009	0 %100
7	FP-1	X	.002	0 %100
8	FP-2	X	.002	0 %100
9	FP-3	X	.002	0 %100
10	FP-4	X	.002	0 %100
11	MP-1	X	.011	0 %100
12	MP-2	X	.011	0 %100
13	MP-3	X	.011	0 %100
14	MP-4	X	.011	0 %100
15	SA-1	X	.011	0 %100
16	SF1-D1	X	.003	0 %100
17	SF1-V1	X	.003	0 %100
18	SF1-V2	X	.003	0 %100
19	SF2-D1	X	.003	0 %100
20	SF2-V1	X	.003	0 %100
21	SF2-V2	X	.003	0 %100
22	SF1-BH	X	.004	0 %100
23	SF1-TH	X	.004	0 %100
24	SF2-BH	X	.009	0 %100
25	SF2-TH	X	.009	0 %100
26	FF1-BH1	Z	-0.005	0 %100
27	FF1-BH2	Z	-0.005	0 %100
28	FF1-BH3	Z	-0.005	0 %100
29	FF1-TH1	Z	-0.005	0 %100
30	FF1-TH2	Z	-0.005	0 %100
31	FF1-TH3	Z	-0.005	0 %100
32	FP-1	Z	-0.001	0 %100
33	FP-2	Z	-0.001	0 %100
34	FP-3	Z	-0.001	0 %100
35	FP-4	Z	-0.001	0 %100



Company : Tower Engineering Professionals, Inc.
 Designer : AJW
 Job Number : TEP No. 25556.515364
 Model Name : 6310 - FRANKLIN CT

Mar 29, 2021
 4:38 PM
 Checked By: -

Member Distributed Loads (BLC 9 : 150 Wind - No Ice) (Continued)

Member Label	Direction	Start Magnitude[k/ft,F,ksf]	End Magnitude[k/ft...Start Location(ft,%)	End Location(ft,%)
36	MP-1	Z	-0.006	0 %100
37	MP-2	Z	-0.006	0 %100
38	MP-3	Z	-0.006	0 %100
39	MP-4	Z	-0.006	0 %100
40	SA-1	Z	-0.006	0 %100
41	SF1-D1	Z	-0.002	0 %100
42	SF1-V1	Z	-0.002	0 %100
43	SF1-V2	Z	-0.002	0 %100
44	SF2-D1	Z	-0.002	0 %100
45	SF2-V1	Z	-0.002	0 %100
46	SF2-V2	Z	-0.002	0 %100
47	SF1-BH	Z	-0.002	0 %100
48	SF1-TH	Z	-0.002	0 %100
49	SF2-BH	Z	-0.005	0 %100
50	SF2-TH	Z	-0.005	0 %100

Member Distributed Loads (BLC 10 : 180 Wind - No Ice)

Member Label	Direction	Start Magnitude[k/ft,F,ksf]	End Magnitude[k/ft...Start Location(ft,%)	End Location(ft,%)
1	FF1-BH1	X	.012	0 %100
2	FF1-BH2	X	.012	0 %100
3	FF1-BH3	X	.012	0 %100
4	FF1-TH1	X	.012	0 %100
5	FF1-TH2	X	.012	0 %100
6	FF1-TH3	X	.012	0 %100
7	FP-1	X	.003	0 %100
8	FP-2	X	.003	0 %100
9	FP-3	X	.003	0 %100
10	FP-4	X	.003	0 %100
11	MP-1	X	.012	0 %100
12	MP-2	X	.012	0 %100
13	MP-3	X	.012	0 %100
14	MP-4	X	.012	0 %100
15	SA-1	X	.012	0 %100
16	SF1-D1	X	.004	0 %100
17	SF1-V1	X	.004	0 %100
18	SF1-V2	X	.004	0 %100
19	SF2-D1	X	.004	0 %100
20	SF2-V1	X	.004	0 %100
21	SF2-V2	X	.004	0 %100
22	SF1-BH	X	.009	0 %100
23	SF1-TH	X	.009	0 %100
24	SF2-BH	X	.009	0 %100
25	SF2-TH	X	.009	0 %100

Member Distributed Loads (BLC 11 : 210 Wind - No Ice)

Member Label	Direction	Start Magnitude[k/ft,F,ksf]	End Magnitude[k/ft...Start Location(ft,%)	End Location(ft,%)
1	FF1-BH1	X	.009	0 %100
2	FF1-BH2	X	.009	0 %100
3	FF1-BH3	X	.009	0 %100
4	FF1-TH1	X	.009	0 %100
5	FF1-TH2	X	.009	0 %100



Company : Tower Engineering Professionals, Inc.
 Designer : AJW
 Job Number : TEP No. 25556.515364
 Model Name : 6310 - FRANKLIN CT

Mar 29, 2021
 4:38 PM
 Checked By: -

Member Distributed Loads (BLC 11 : 210 Wind - No Ice) (Continued)

Member Label	Direction	Start Magnitude[k/ft,F,ksf]	End Magnitude[k/ft...Start Location(ft,%)	End Location(ft,%)
6	FF1-TH3	X	.009	.009 0 %100
7	FP-1	X	.002	.002 0 %100
8	FP-2	X	.002	.002 0 %100
9	FP-3	X	.002	.002 0 %100
10	FP-4	X	.002	.002 0 %100
11	MP-1	X	.011	.011 0 %100
12	MP-2	X	.011	.011 0 %100
13	MP-3	X	.011	.011 0 %100
14	MP-4	X	.011	.011 0 %100
15	SA-1	X	.011	.011 0 %100
16	SF1-D1	X	.003	.003 0 %100
17	SF1-V1	X	.003	.003 0 %100
18	SF1-V2	X	.003	.003 0 %100
19	SF2-D1	X	.003	.003 0 %100
20	SF2-V1	X	.003	.003 0 %100
21	SF2-V2	X	.003	.003 0 %100
22	SF1-BH	X	.009	.009 0 %100
23	SF1-TH	X	.009	.009 0 %100
24	SF2-BH	X	.004	.004 0 %100
25	SF2-TH	X	.004	.004 0 %100
26	FF1-BH1	Z	.005	.005 0 %100
27	FF1-BH2	Z	.005	.005 0 %100
28	FF1-BH3	Z	.005	.005 0 %100
29	FF1-TH1	Z	.005	.005 0 %100
30	FF1-TH2	Z	.005	.005 0 %100
31	FF1-TH3	Z	.005	.005 0 %100
32	FP-1	Z	.001	.001 0 %100
33	FP-2	Z	.001	.001 0 %100
34	FP-3	Z	.001	.001 0 %100
35	FP-4	Z	.001	.001 0 %100
36	MP-1	Z	.006	.006 0 %100
37	MP-2	Z	.006	.006 0 %100
38	MP-3	Z	.006	.006 0 %100
39	MP-4	Z	.006	.006 0 %100
40	SA-1	Z	.006	.006 0 %100
41	SF1-D1	Z	.002	.002 0 %100
42	SF1-V1	Z	.002	.002 0 %100
43	SF1-V2	Z	.002	.002 0 %100
44	SF2-D1	Z	.002	.002 0 %100
45	SF2-V1	Z	.002	.002 0 %100
46	SF2-V2	Z	.002	.002 0 %100
47	SF1-BH	Z	.005	.005 0 %100
48	SF1-TH	Z	.005	.005 0 %100
49	SF2-BH	Z	.002	.002 0 %100
50	SF2-TH	Z	.002	.002 0 %100

Member Distributed Loads (BLC 12 : 225 Wind - No Ice)

Member Label	Direction	Start Magnitude[k/ft,F,ksf]	End Magnitude[k/ft...Start Location(ft,%)	End Location(ft,%)
1	FF1-BH1	X	.006	.006 0 %100
2	FF1-BH2	X	.006	.006 0 %100
3	FF1-BH3	X	.006	.006 0 %100



Company : Tower Engineering Professionals, Inc.
 Designer : AJW
 Job Number : TEP No. 25556.515364
 Model Name : 6310 - FRANKLIN CT

Mar 29, 2021
 4:38 PM
 Checked By: -

Member Distributed Loads (BLC 12 : 225 Wind - No Ice) (Continued)

Member Label	Direction	Start Magnitude[k/ft,F,ksf]	End Magnitude[k/ft...Start Location(ft,%)	End Location(ft,%)
4	FF1-TH1	X	.006	.006 0 %100
5	FF1-TH2	X	.006	.006 0 %100
6	FF1-TH3	X	.006	.006 0 %100
7	FP-1	X	.002	.002 0 %100
8	FP-2	X	.002	.002 0 %100
9	FP-3	X	.002	.002 0 %100
10	FP-4	X	.002	.002 0 %100
11	MP-1	X	.009	.009 0 %100
12	MP-2	X	.009	.009 0 %100
13	MP-3	X	.009	.009 0 %100
14	MP-4	X	.009	.009 0 %100
15	SA-1	X	.009	.009 0 %100
16	SF1-D1	X	.003	.003 0 %100
17	SF1-V1	X	.003	.003 0 %100
18	SF1-V2	X	.003	.003 0 %100
19	SF2-D1	X	.003	.003 0 %100
20	SF2-V1	X	.003	.003 0 %100
21	SF2-V2	X	.003	.003 0 %100
22	SF1-BH	X	.007	.007 0 %100
23	SF1-TH	X	.007	.007 0 %100
24	SF2-BH	X	.001	.001 0 %100
25	SF2-TH	X	.001	.001 0 %100
26	FF1-BH1	Z	.006	.006 0 %100
27	FF1-BH2	Z	.006	.006 0 %100
28	FF1-BH3	Z	.006	.006 0 %100
29	FF1-TH1	Z	.006	.006 0 %100
30	FF1-TH2	Z	.006	.006 0 %100
31	FF1-TH3	Z	.006	.006 0 %100
32	FP-1	Z	.002	.002 0 %100
33	FP-2	Z	.002	.002 0 %100
34	FP-3	Z	.002	.002 0 %100
35	FP-4	Z	.002	.002 0 %100
36	MP-1	Z	.009	.009 0 %100
37	MP-2	Z	.009	.009 0 %100
38	MP-3	Z	.009	.009 0 %100
39	MP-4	Z	.009	.009 0 %100
40	SA-1	Z	.009	.009 0 %100
41	SF1-D1	Z	.003	.003 0 %100
42	SF1-V1	Z	.003	.003 0 %100
43	SF1-V2	Z	.003	.003 0 %100
44	SF2-D1	Z	.003	.003 0 %100
45	SF2-V1	Z	.003	.003 0 %100
46	SF2-V2	Z	.003	.003 0 %100
47	SF1-BH	Z	.007	.007 0 %100
48	SF1-TH	Z	.007	.007 0 %100
49	SF2-BH	Z	.001	.001 0 %100
50	SF2-TH	Z	.001	.001 0 %100

Member Distributed Loads (BLC 13 : 240 Wind - No Ice)

Member Label	Direction	Start Magnitude[k/ft,F,ksf]	End Magnitude[k/ft...Start Location(ft,%)	End Location(ft,%)
1	FF1-BH1	X	.003	.003 0 %100



Company : Tower Engineering Professionals, Inc.
 Designer : AJW
 Job Number : TEP No. 25556.515364
 Model Name : 6310 - FRANKLIN CT

Mar 29, 2021
 4:38 PM
 Checked By: -

Member Distributed Loads (BLC 13 : 240 Wind - No Ice) (Continued)

Member Label	Direction	Start Magnitude[k/ft,F,ksf]	End Magnitude[k/ft...]	Start Location(ft,%)	End Location(ft,%)
2	FF1-BH2	X	.003	.003	0 %100
3	FF1-BH3	X	.003	.003	0 %100
4	FF1-TH1	X	.003	.003	0 %100
5	FF1-TH2	X	.003	.003	0 %100
6	FF1-TH3	X	.003	.003	0 %100
7	FP-1	X	.000768	.000768	0 %100
8	FP-2	X	.000768	.000768	0 %100
9	FP-3	X	.000768	.000768	0 %100
10	FP-4	X	.000768	.000768	0 %100
11	MP-1	X	.006	.006	0 %100
12	MP-2	X	.006	.006	0 %100
13	MP-3	X	.006	.006	0 %100
14	MP-4	X	.006	.006	0 %100
15	SA-1	X	.006	.006	0 %100
16	SF1-D1	X	.002	.002	0 %100
17	SF1-V1	X	.002	.002	0 %100
18	SF1-V2	X	.002	.002	0 %100
19	SF2-D1	X	.002	.002	0 %100
20	SF2-V1	X	.002	.002	0 %100
21	SF2-V2	X	.002	.002	0 %100
22	SF1-BH	X	.005	.005	0 %100
23	SF1-TH	X	.005	.005	0 %100
24	SF2-BH	X	.000481	.000481	0 %100
25	SF2-TH	X	.000481	.000481	0 %100
26	FF1-BH1	Z	.005	.005	0 %100
27	FF1-BH2	Z	.005	.005	0 %100
28	FF1-BH3	Z	.005	.005	0 %100
29	FF1-TH1	Z	.005	.005	0 %100
30	FF1-TH2	Z	.005	.005	0 %100
31	FF1-TH3	Z	.005	.005	0 %100
32	FP-1	Z	.001	.001	0 %100
33	FP-2	Z	.001	.001	0 %100
34	FP-3	Z	.001	.001	0 %100
35	FP-4	Z	.001	.001	0 %100
36	MP-1	Z	.011	.011	0 %100
37	MP-2	Z	.011	.011	0 %100
38	MP-3	Z	.011	.011	0 %100
39	MP-4	Z	.011	.011	0 %100
40	SA-1	Z	.011	.011	0 %100
41	SF1-D1	Z	.003	.003	0 %100
42	SF1-V1	Z	.003	.003	0 %100
43	SF1-V2	Z	.003	.003	0 %100
44	SF2-D1	Z	.003	.003	0 %100
45	SF2-V1	Z	.003	.003	0 %100
46	SF2-V2	Z	.003	.003	0 %100
47	SF1-BH	Z	.007	.007	0 %100
48	SF1-TH	Z	.007	.007	0 %100
49	SF2-BH	Z	.000741	.000741	0 %100
50	SF2-TH	Z	.000741	.000741	0 %100

Member Distributed Loads (BLC 14 : 270 Wind - No Ice)

Member Label	Direction	Start Magnitude[k/ft,F,ksf]	End Magnitude[k/ft...]	Start Location(ft,%)	End Location(ft,%)
--------------	-----------	-----------------------------	------------------------	----------------------	--------------------



Company : Tower Engineering Professionals, Inc.
 Designer : AJW
 Job Number : TEP No. 25556.515364
 Model Name : 6310 - FRANKLIN CT

Mar 29, 2021
 4:38 PM
 Checked By: -

Member Distributed Loads (BLC 14 : 270 Wind - No Ice) (Continued)

Member Label	Direction	Start Magnitude[k/ft,F,ksf]	End Magnitude[k/ft...]	Start Location(ft,%)	End Location(ft,%)
1	FF1-BH1	Z	0	0	0 %100
2	FF1-BH2	Z	0	0	0 %100
3	FF1-BH3	Z	0	0	0 %100
4	FF1-TH1	Z	0	0	0 %100
5	FF1-TH2	Z	0	0	0 %100
6	FF1-TH3	Z	0	0	0 %100
7	FP-1	Z	0	0	0 %100
8	FP-2	Z	0	0	0 %100
9	FP-3	Z	0	0	0 %100
10	FP-4	Z	0	0	0 %100
11	MP-1	Z	.012	.012	0 %100
12	MP-2	Z	.012	.012	0 %100
13	MP-3	Z	.012	.012	0 %100
14	MP-4	Z	.012	.012	0 %100
15	SA-1	Z	.012	.012	0 %100
16	SF1-D1	Z	.004	.004	0 %100
17	SF1-V1	Z	.004	.004	0 %100
18	SF1-V2	Z	.004	.004	0 %100
19	SF2-D1	Z	.004	.004	0 %100
20	SF2-V1	Z	.004	.004	0 %100
21	SF2-V2	Z	.004	.004	0 %100
22	SF1-BH	Z	.005	.005	0 %100
23	SF1-TH	Z	.005	.005	0 %100
24	SF2-BH	Z	.005	.005	0 %100
25	SF2-TH	Z	.005	.005	0 %100

Member Distributed Loads (BLC 15 : 300 Wind - No Ice)

Member Label	Direction	Start Magnitude[k/ft,F,ksf]	End Magnitude[k/ft...]	Start Location(ft,%)	End Location(ft,%)
1	FF1-BH1	X	-.003	-.003	0 %100
2	FF1-BH2	X	-.003	-.003	0 %100
3	FF1-BH3	X	-.003	-.003	0 %100
4	FF1-TH1	X	-.003	-.003	0 %100
5	FF1-TH2	X	-.003	-.003	0 %100
6	FF1-TH3	X	-.003	-.003	0 %100
7	FP-1	X	-.000768	-.000768	0 %100
8	FP-2	X	-.000768	-.000768	0 %100
9	FP-3	X	-.000768	-.000768	0 %100
10	FP-4	X	-.000768	-.000768	0 %100
11	MP-1	X	-.006	-.006	0 %100
12	MP-2	X	-.006	-.006	0 %100
13	MP-3	X	-.006	-.006	0 %100
14	MP-4	X	-.006	-.006	0 %100
15	SA-1	X	-.006	-.006	0 %100
16	SF1-D1	X	-.002	-.002	0 %100
17	SF1-V1	X	-.002	-.002	0 %100
18	SF1-V2	X	-.002	-.002	0 %100
19	SF2-D1	X	-.002	-.002	0 %100
20	SF2-V1	X	-.002	-.002	0 %100
21	SF2-V2	X	-.002	-.002	0 %100
22	SF1-BH	X	-.000481	-.000481	0 %100
23	SF1-TH	X	-.000481	-.000481	0 %100



Company : Tower Engineering Professionals, Inc.
 Designer : AJW
 Job Number : TEP No. 25556.515364
 Model Name : 6310 - FRANKLIN CT

Mar 29, 2021
 4:38 PM
 Checked By: -

Member Distributed Loads (BLC 15 : 300 Wind - No Ice) (Continued)

Member Label	Direction	Start Magnitude[k/ft,F,ksf]	End Magnitude[k/ft...Start Location(ft,%)	End Location(ft,%)
24	SF2-BH	X	-0.005	-0.005 0 %100
25	SF2-TH	X	-0.005	-0.005 0 %100
26	FF1-BH1	Z	.005	.005 0 %100
27	FF1-BH2	Z	.005	.005 0 %100
28	FF1-BH3	Z	.005	.005 0 %100
29	FF1-TH1	Z	.005	.005 0 %100
30	FF1-TH2	Z	.005	.005 0 %100
31	FF1-TH3	Z	.005	.005 0 %100
32	FP-1	Z	.001	.001 0 %100
33	FP-2	Z	.001	.001 0 %100
34	FP-3	Z	.001	.001 0 %100
35	FP-4	Z	.001	.001 0 %100
36	MP-1	Z	.011	.011 0 %100
37	MP-2	Z	.011	.011 0 %100
38	MP-3	Z	.011	.011 0 %100
39	MP-4	Z	.011	.011 0 %100
40	SA-1	Z	.011	.011 0 %100
41	SF1-D1	Z	.003	.003 0 %100
42	SF1-V1	Z	.003	.003 0 %100
43	SF1-V2	Z	.003	.003 0 %100
44	SF2-D1	Z	.003	.003 0 %100
45	SF2-V1	Z	.003	.003 0 %100
46	SF2-V2	Z	.003	.003 0 %100
47	SF1-BH	Z	.000741	.000741 0 %100
48	SF1-TH	Z	.000741	.000741 0 %100
49	SF2-BH	Z	.007	.007 0 %100
50	SF2-TH	Z	.007	.007 0 %100

Member Distributed Loads (BLC 16 : 315 Wind - No Ice)

Member Label	Direction	Start Magnitude[k/ft,F,ksf]	End Magnitude[k/ft...Start Location(ft,%)	End Location(ft,%)
1	FF1-BH1	X	-0.006	-0.006 0 %100
2	FF1-BH2	X	-0.006	-0.006 0 %100
3	FF1-BH3	X	-0.006	-0.006 0 %100
4	FF1-TH1	X	-0.006	-0.006 0 %100
5	FF1-TH2	X	-0.006	-0.006 0 %100
6	FF1-TH3	X	-0.006	-0.006 0 %100
7	FP-1	X	-0.002	-0.002 0 %100
8	FP-2	X	-0.002	-0.002 0 %100
9	FP-3	X	-0.002	-0.002 0 %100
10	FP-4	X	-0.002	-0.002 0 %100
11	MP-1	X	-0.009	-0.009 0 %100
12	MP-2	X	-0.009	-0.009 0 %100
13	MP-3	X	-0.009	-0.009 0 %100
14	MP-4	X	-0.009	-0.009 0 %100
15	SA-1	X	-0.009	-0.009 0 %100
16	SF1-D1	X	-0.003	-0.003 0 %100
17	SF1-V1	X	-0.003	-0.003 0 %100
18	SF1-V2	X	-0.003	-0.003 0 %100
19	SF2-D1	X	-0.003	-0.003 0 %100
20	SF2-V1	X	-0.003	-0.003 0 %100
21	SF2-V2	X	-0.003	-0.003 0 %100



Company : Tower Engineering Professionals, Inc.
 Designer : AJW
 Job Number : TEP No. 25556.515364
 Model Name : 6310 - FRANKLIN CT

Mar 29, 2021
 4:38 PM
 Checked By: -

Member Distributed Loads (BLC 16 : 315 Wind - No Ice) (Continued)

Member Label	Direction	Start Magnitude[k/ft,F,ksf]	End Magnitude[k/ft...Start Location(ft,%)	End Location(ft,%)
22	SF1-BH	X	-0.001	-0.001 0 %100
23	SF1-TH	X	-0.001	-0.001 0 %100
24	SF2-BH	X	-0.007	-0.007 0 %100
25	SF2-TH	X	-0.007	-0.007 0 %100
26	FF1-BH1	Z	.006	.006 0 %100
27	FF1-BH2	Z	.006	.006 0 %100
28	FF1-BH3	Z	.006	.006 0 %100
29	FF1-TH1	Z	.006	.006 0 %100
30	FF1-TH2	Z	.006	.006 0 %100
31	FF1-TH3	Z	.006	.006 0 %100
32	FP-1	Z	.002	.002 0 %100
33	FP-2	Z	.002	.002 0 %100
34	FP-3	Z	.002	.002 0 %100
35	FP-4	Z	.002	.002 0 %100
36	MP-1	Z	.009	.009 0 %100
37	MP-2	Z	.009	.009 0 %100
38	MP-3	Z	.009	.009 0 %100
39	MP-4	Z	.009	.009 0 %100
40	SA-1	Z	.009	.009 0 %100
41	SF1-D1	Z	.003	.003 0 %100
42	SF1-V1	Z	.003	.003 0 %100
43	SF1-V2	Z	.003	.003 0 %100
44	SF2-D1	Z	.003	.003 0 %100
45	SF2-V1	Z	.003	.003 0 %100
46	SF2-V2	Z	.003	.003 0 %100
47	SF1-BH	Z	.001	.001 0 %100
48	SF1-TH	Z	.001	.001 0 %100
49	SF2-BH	Z	.007	.007 0 %100
50	SF2-TH	Z	.007	.007 0 %100

Member Distributed Loads (BLC 17 : 330 Wind - No Ice)

Member Label	Direction	Start Magnitude[k/ft,F,ksf]	End Magnitude[k/ft...Start Location(ft,%)	End Location(ft,%)
1	FF1-BH1	X	-0.009	-0.009 0 %100
2	FF1-BH2	X	-0.009	-0.009 0 %100
3	FF1-BH3	X	-0.009	-0.009 0 %100
4	FF1-TH1	X	-0.009	-0.009 0 %100
5	FF1-TH2	X	-0.009	-0.009 0 %100
6	FF1-TH3	X	-0.009	-0.009 0 %100
7	FP-1	X	-0.002	-0.002 0 %100
8	FP-2	X	-0.002	-0.002 0 %100
9	FP-3	X	-0.002	-0.002 0 %100
10	FP-4	X	-0.002	-0.002 0 %100
11	MP-1	X	-0.011	-0.011 0 %100
12	MP-2	X	-0.011	-0.011 0 %100
13	MP-3	X	-0.011	-0.011 0 %100
14	MP-4	X	-0.011	-0.011 0 %100
15	SA-1	X	-0.011	-0.011 0 %100
16	SF1-D1	X	-0.003	-0.003 0 %100
17	SF1-V1	X	-0.003	-0.003 0 %100
18	SF1-V2	X	-0.003	-0.003 0 %100
19	SF2-D1	X	-0.003	-0.003 0 %100



Company : Tower Engineering Professionals, Inc.
 Designer : AJW
 Job Number : TEP No. 25556.515364
 Model Name : 6310 - FRANKLIN CT

Mar 29, 2021
 4:38 PM
 Checked By: -

Member Distributed Loads (BLC 17 : 330 Wind - No Ice) (Continued)

Member Label	Direction	Start Magnitude[k/ft,F,ksf]	End Magnitude[k/ft...Start Location(ft,%)	End Location(ft,%)
20	SF2-V1	X	-0.003	0 %100
21	SF2-V2	X	-0.003	0 %100
22	SF1-BH	X	-0.004	0 %100
23	SF1-TH	X	-0.004	0 %100
24	SF2-BH	X	-0.009	0 %100
25	SF2-TH	X	-0.009	0 %100
26	FF1-BH1	Z	.005	0 %100
27	FF1-BH2	Z	.005	0 %100
28	FF1-BH3	Z	.005	0 %100
29	FF1-TH1	Z	.005	0 %100
30	FF1-TH2	Z	.005	0 %100
31	FF1-TH3	Z	.005	0 %100
32	FP-1	Z	.001	0 %100
33	FP-2	Z	.001	0 %100
34	FP-3	Z	.001	0 %100
35	FP-4	Z	.001	0 %100
36	MP-1	Z	.006	0 %100
37	MP-2	Z	.006	0 %100
38	MP-3	Z	.006	0 %100
39	MP-4	Z	.006	0 %100
40	SA-1	Z	.006	0 %100
41	SF1-D1	Z	.002	0 %100
42	SF1-V1	Z	.002	0 %100
43	SF1-V2	Z	.002	0 %100
44	SF2-D1	Z	.002	0 %100
45	SF2-V1	Z	.002	0 %100
46	SF2-V2	Z	.002	0 %100
47	SF1-BH	Z	.002	0 %100
48	SF1-TH	Z	.002	0 %100
49	SF2-BH	Z	.005	0 %100
50	SF2-TH	Z	.005	0 %100

Member Distributed Loads (BLC 18 : Ice Weight)

Member Label	Direction	Start Magnitude[k/ft,F,ksf]	End Magnitude[k/ft...Start Location(ft,%)	End Location(ft,%)
1	FF1-BH1	Y	-0.006	0 %100
2	FF1-BH2	Y	-0.006	0 %100
3	FF1-BH3	Y	-0.006	0 %100
4	FF1-TH1	Y	-0.006	0 %100
5	FF1-TH2	Y	-0.006	0 %100
6	FF1-TH3	Y	-0.006	0 %100
7	FP-1	Y	-0.004	0 %100
8	FP-2	Y	-0.004	0 %100
9	FP-3	Y	-0.004	0 %100
10	FP-4	Y	-0.004	0 %100
11	MP-1	Y	-0.006	0 %100
12	MP-2	Y	-0.006	0 %100
13	MP-3	Y	-0.006	0 %100
14	MP-4	Y	-0.006	0 %100
15	SA-1	Y	-0.006	0 %100
16	SF1-D1	Y	-0.003	0 %100
17	SF1-V1	Y	-0.004	0 %100



Company : Tower Engineering Professionals, Inc.
 Designer : AJW
 Job Number : TEP No. 25556.515364
 Model Name : 6310 - FRANKLIN CT

Mar 29, 2021
 4:38 PM
 Checked By: -

Member Distributed Loads (BLC 18 : Ice Weight) (Continued)

Member Label	Direction	Start Magnitude[k/ft,F,ksf]	End Magnitude[k/ft...Start Location(ft,%)	End Location(ft,%)
18	SF1-V2	Y	-0.004	0 %100
19	SF2-D1	Y	-0.003	0 %100
20	SF2-V1	Y	-0.004	0 %100
21	SF2-V2	Y	-0.004	0 %100
22	SF1-BH	Y	-0.006	0 %100
23	SF1-TH	Y	-0.006	0 %100
24	SF2-BH	Y	-0.006	0 %100
25	SF2-TH	Y	-0.006	0 %100

Member Distributed Loads (BLC 19 : 0 Wind - Ice)

Member Label	Direction	Start Magnitude[k/ft,F,ksf]	End Magnitude[k/ft...Start Location(ft,%)	End Location(ft,%)
1	FF1-BH1	X	-0.004	0 %100
2	FF1-BH2	X	-0.004	0 %100
3	FF1-BH3	X	-0.004	0 %100
4	FF1-TH1	X	-0.004	0 %100
5	FF1-TH2	X	-0.004	0 %100
6	FF1-TH3	X	-0.004	0 %100
7	FP-1	X	-0.005	0 %100
8	FP-2	X	-0.005	0 %100
9	FP-3	X	-0.005	0 %100
10	FP-4	X	-0.005	0 %100
11	MP-1	X	-0.004	0 %100
12	MP-2	X	-0.004	0 %100
13	MP-3	X	-0.004	0 %100
14	MP-4	X	-0.004	0 %100
15	SA-1	X	-0.003	0 %100
16	SF1-D1	X	-0.002	0 %100
17	SF1-V1	X	-0.002	0 %100
18	SF1-V2	X	-0.002	0 %100
19	SF2-D1	X	-0.002	0 %100
20	SF2-V1	X	-0.002	0 %100
21	SF2-V2	X	-0.002	0 %100
22	SF1-BH	X	-0.003	0 %100
23	SF1-TH	X	-0.003	0 %100
24	SF2-BH	X	-0.003	0 %100
25	SF2-TH	X	-0.003	0 %100

Member Distributed Loads (BLC 20 : 30 Wind - Ice)

Member Label	Direction	Start Magnitude[k/ft,F,ksf]	End Magnitude[k/ft...Start Location(ft,%)	End Location(ft,%)
1	FF1-BH1	X	-0.003	0 %100
2	FF1-BH2	X	-0.003	0 %100
3	FF1-BH3	X	-0.003	0 %100
4	FF1-TH1	X	-0.003	0 %100
5	FF1-TH2	X	-0.003	0 %100
6	FF1-TH3	X	-0.003	0 %100
7	FP-1	X	-0.003	0 %100
8	FP-2	X	-0.003	0 %100
9	FP-3	X	-0.003	0 %100
10	FP-4	X	-0.003	0 %100
11	MP-1	X	-0.003	0 %100
12	MP-2	X	-0.003	0 %100



Company : Tower Engineering Professionals, Inc.
 Designer : AJW
 Job Number : TEP No. 25556.515364
 Model Name : 6310 - FRANKLIN CT

Mar 29, 2021
 4:38 PM
 Checked By: -

Member Distributed Loads (BLC 20 : 30 Wind - Ice) (Continued)

Member Label	Direction	Start Magnitude[k/ft,F,ksf]	End Magnitude[k/ft...Start Location(ft,%)	End Location(ft,%)	
13	MP-3	X	-0.003	0	%100
14	MP-4	X	-0.003	0	%100
15	SA-1	X	-0.003	0	%100
16	SF1-D1	X	-0.002	0	%100
17	SF1-V1	X	-0.002	0	%100
18	SF1-V2	X	-0.002	0	%100
19	SF2-D1	X	-0.002	0	%100
20	SF2-V1	X	-0.002	0	%100
21	SF2-V2	X	-0.002	0	%100
22	SF1-BH	X	-0.003	0	%100
23	SF1-TH	X	-0.003	0	%100
24	SF2-BH	X	-0.001	0	%100
25	SF2-TH	X	-0.001	0	%100
26	FF1-BH1	Z	-0.002	0	%100
27	FF1-BH2	Z	-0.002	0	%100
28	FF1-BH3	Z	-0.002	0	%100
29	FF1-TH1	Z	-0.002	0	%100
30	FF1-TH2	Z	-0.002	0	%100
31	FF1-TH3	Z	-0.002	0	%100
32	FP-1	Z	-0.002	0	%100
33	FP-2	Z	-0.002	0	%100
34	FP-3	Z	-0.002	0	%100
35	FP-4	Z	-0.002	0	%100
36	MP-1	Z	-0.002	0	%100
37	MP-2	Z	-0.002	0	%100
38	MP-3	Z	-0.002	0	%100
39	MP-4	Z	-0.002	0	%100
40	SA-1	Z	-0.002	0	%100
41	SF1-D1	Z	-0.001	0	%100
42	SF1-V1	Z	-0.001	0	%100
43	SF1-V2	Z	-0.001	0	%100
44	SF2-D1	Z	-0.001	0	%100
45	SF2-V1	Z	-0.001	0	%100
46	SF2-V2	Z	-0.001	0	%100
47	SF1-BH	Z	-0.001	0	%100
48	SF1-TH	Z	-0.001	0	%100
49	SF2-BH	Z	-0.0062	0	%100
50	SF2-TH	Z	-0.0062	0	%100

Member Distributed Loads (BLC 21 : 45 Wind - Ice)

Member Label	Direction	Start Magnitude[k/ft,F,ksf]	End Magnitude[k/ft...Start Location(ft,%)	End Location(ft,%)	
1	FF1-BH1	X	-0.002	0	%100
2	FF1-BH2	X	-0.002	0	%100
3	FF1-BH3	X	-0.002	0	%100
4	FF1-TH1	X	-0.002	0	%100
5	FF1-TH2	X	-0.002	0	%100
6	FF1-TH3	X	-0.002	0	%100
7	FP-1	X	-0.002	0	%100
8	FP-2	X	-0.002	0	%100
9	FP-3	X	-0.002	0	%100
10	FP-4	X	-0.002	0	%100



Company : Tower Engineering Professionals, Inc.
 Designer : AJW
 Job Number : TEP No. 25556.515364
 Model Name : 6310 - FRANKLIN CT

Mar 29, 2021
 4:38 PM
 Checked By: -

Member Distributed Loads (BLC 21 : 45 Wind - Ice) (Continued)

Member Label	Direction	Start Magnitude[k/ft,F,ksf]	End Magnitude[k/ft...Start Location(ft,%)	End Location(ft,%)	
11	MP-1	X	-0.003	0	%100
12	MP-2	X	-0.003	0	%100
13	MP-3	X	-0.003	0	%100
14	MP-4	X	-0.003	0	%100
15	SA-1	X	-0.002	0	%100
16	SF1-D1	X	-0.002	0	%100
17	SF1-V1	X	-0.001	0	%100
18	SF1-V2	X	-0.001	0	%100
19	SF2-D1	X	-0.002	0	%100
20	SF2-V1	X	-0.001	0	%100
21	SF2-V2	X	-0.001	0	%100
22	SF1-BH	X	-0.002	0	%100
23	SF1-TH	X	-0.002	0	%100
24	SF2-BH	X	-0.0038	0	%100
25	SF2-TH	X	-0.0038	0	%100
26	FF1-BH1	Z	-0.002	0	%100
27	FF1-BH2	Z	-0.002	0	%100
28	FF1-BH3	Z	-0.002	0	%100
29	FF1-TH1	Z	-0.002	0	%100
30	FF1-TH2	Z	-0.002	0	%100
31	FF1-TH3	Z	-0.002	0	%100
32	FP-1	Z	-0.002	0	%100
33	FP-2	Z	-0.002	0	%100
34	FP-3	Z	-0.002	0	%100
35	FP-4	Z	-0.002	0	%100
36	MP-1	Z	-0.003	0	%100
37	MP-2	Z	-0.003	0	%100
38	MP-3	Z	-0.003	0	%100
39	MP-4	Z	-0.003	0	%100
40	SA-1	Z	-0.003	0	%100
41	SF1-D1	Z	-0.002	0	%100
42	SF1-V1	Z	-0.002	0	%100
43	SF1-V2	Z	-0.002	0	%100
44	SF2-D1	Z	-0.002	0	%100
45	SF2-V1	Z	-0.002	0	%100
46	SF2-V2	Z	-0.002	0	%100
47	SF1-BH	Z	-0.002	0	%100
48	SF1-TH	Z	-0.002	0	%100
49	SF2-BH	Z	-0.00355	0	%100
50	SF2-TH	Z	-0.00355	0	%100

Member Distributed Loads (BLC 22 : 60 Wind - Ice)

Member Label	Direction	Start Magnitude[k/ft,F,ksf]	End Magnitude[k/ft...Start Location(ft,%)	End Location(ft,%)	
1	FF1-BH1	X	-0.001	0	%100
2	FF1-BH2	X	-0.001	0	%100
3	FF1-BH3	X	-0.001	0	%100
4	FF1-TH1	X	-0.001	0	%100
5	FF1-TH2	X	-0.001	0	%100
6	FF1-TH3	X	-0.001	0	%100
7	FP-1	X	-0.001	0	%100
8	FP-2	X	-0.001	0	%100



Company : Tower Engineering Professionals, Inc.
 Designer : AJW
 Job Number : TEP No. 25556.515364
 Model Name : 6310 - FRANKLIN CT

Mar 29, 2021
 4:38 PM
 Checked By: -

Member Distributed Loads (BLC 22 : 60 Wind - Ice) (Continued)

Member Label	Direction	Start Magnitude[k/ft,F,ksf]	End Magnitude[k/ft...Start Location(ft,%)	End Location(ft,%)
9	FP-3	X	-0.001	-0.001 0 %100
10	FP-4	X	-0.001	-0.001 0 %100
11	MP-1	X	-0.002	-0.002 0 %100
12	MP-2	X	-0.002	-0.002 0 %100
13	MP-3	X	-0.002	-0.002 0 %100
14	MP-4	X	-0.002	-0.002 0 %100
15	SA-1	X	-0.002	-0.002 0 %100
16	SF1-D1	X	-0.001	-0.001 0 %100
17	SF1-V1	X	-0.001	-0.001 0 %100
18	SF1-V2	X	-0.001	-0.001 0 %100
19	SF2-D1	X	-0.001	-0.001 0 %100
20	SF2-V1	X	-0.001	-0.001 0 %100
21	SF2-V2	X	-0.001	-0.001 0 %100
22	SF1-BH	X	-0.001	-0.001 0 %100
23	SF1-TH	X	-0.001	-0.001 0 %100
24	SF2-BH	X	-0.00144	-0.00144 0 %100
25	SF2-TH	X	-0.00144	-0.00144 0 %100
26	FF1-BH1	Z	-0.002	-0.002 0 %100
27	FF1-BH2	Z	-0.002	-0.002 0 %100
28	FF1-BH3	Z	-0.002	-0.002 0 %100
29	FF1-TH1	Z	-0.002	-0.002 0 %100
30	FF1-TH2	Z	-0.002	-0.002 0 %100
31	FF1-TH3	Z	-0.002	-0.002 0 %100
32	FP-1	Z	-0.002	-0.002 0 %100
33	FP-2	Z	-0.002	-0.002 0 %100
34	FP-3	Z	-0.002	-0.002 0 %100
35	FP-4	Z	-0.002	-0.002 0 %100
36	MP-1	Z	-0.003	-0.003 0 %100
37	MP-2	Z	-0.003	-0.003 0 %100
38	MP-3	Z	-0.003	-0.003 0 %100
39	MP-4	Z	-0.003	-0.003 0 %100
40	SA-1	Z	-0.003	-0.003 0 %100
41	SF1-D1	Z	-0.002	-0.002 0 %100
42	SF1-V1	Z	-0.002	-0.002 0 %100
43	SF1-V2	Z	-0.002	-0.002 0 %100
44	SF2-D1	Z	-0.002	-0.002 0 %100
45	SF2-V1	Z	-0.002	-0.002 0 %100
46	SF2-V2	Z	-0.002	-0.002 0 %100
47	SF1-BH	Z	-0.002	-0.002 0 %100
48	SF1-TH	Z	-0.002	-0.002 0 %100
49	SF2-BH	Z	-0.00233	-0.00233 0 %100
50	SF2-TH	Z	-0.00233	-0.00233 0 %100

Member Distributed Loads (BLC 23 : 90 Wind - Ice)

Member Label	Direction	Start Magnitude[k/ft,F,ksf]	End Magnitude[k/ft...Start Location(ft,%)	End Location(ft,%)
1	FF1-BH1	Z	0	0 0 %100
2	FF1-BH2	Z	0	0 0 %100
3	FF1-BH3	Z	0	0 0 %100
4	FF1-TH1	Z	0	0 0 %100
5	FF1-TH2	Z	0	0 0 %100
6	FF1-TH3	Z	0	0 0 %100



Company : Tower Engineering Professionals, Inc.
 Designer : AJW
 Job Number : TEP No. 25556.515364
 Model Name : 6310 - FRANKLIN CT

Mar 29, 2021
 4:38 PM
 Checked By: -

Member Distributed Loads (BLC 23 : 90 Wind - Ice) (Continued)

Member Label	Direction	Start Magnitude[k/ft,F,ksf]	End Magnitude[k/ft...Start Location(ft,%)	End Location(ft,%)
7	FP-1	Z	0	0 0 %100
8	FP-2	Z	0	0 0 %100
9	FP-3	Z	0	0 0 %100
10	FP-4	Z	0	0 0 %100
11	MP-1	Z	-0.004	-0.004 0 %100
12	MP-2	Z	-0.004	-0.004 0 %100
13	MP-3	Z	-0.004	-0.004 0 %100
14	MP-4	Z	-0.004	-0.004 0 %100
15	SA-1	Z	-0.004	-0.004 0 %100
16	SF1-D1	Z	-0.003	-0.003 0 %100
17	SF1-V1	Z	-0.002	-0.002 0 %100
18	SF1-V2	Z	-0.002	-0.002 0 %100
19	SF2-D1	Z	-0.003	-0.003 0 %100
20	SF2-V1	Z	-0.002	-0.002 0 %100
21	SF2-V2	Z	-0.002	-0.002 0 %100
22	SF1-BH	Z	-0.002	-0.002 0 %100
23	SF1-TH	Z	-0.002	-0.002 0 %100
24	SF2-BH	Z	-0.002	-0.002 0 %100
25	SF2-TH	Z	-0.002	-0.002 0 %100

Member Distributed Loads (BLC 24 : 120 Wind - Ice)

Member Label	Direction	Start Magnitude[k/ft,F,ksf]	End Magnitude[k/ft...Start Location(ft,%)	End Location(ft,%)
1	FF1-BH1	X	.001	.001 0 %100
2	FF1-BH2	X	.001	.001 0 %100
3	FF1-BH3	X	.001	.001 0 %100
4	FF1-TH1	X	.001	.001 0 %100
5	FF1-TH2	X	.001	.001 0 %100
6	FF1-TH3	X	.001	.001 0 %100
7	FP-1	X	.001	.001 0 %100
8	FP-2	X	.001	.001 0 %100
9	FP-3	X	.001	.001 0 %100
10	FP-4	X	.001	.001 0 %100
11	MP-1	X	.002	.002 0 %100
12	MP-2	X	.002	.002 0 %100
13	MP-3	X	.002	.002 0 %100
14	MP-4	X	.002	.002 0 %100
15	SA-1	X	.002	.002 0 %100
16	SF1-D1	X	.001	.001 0 %100
17	SF1-V1	X	.001	.001 0 %100
18	SF1-V2	X	.001	.001 0 %100
19	SF2-D1	X	.001	.001 0 %100
20	SF2-V1	X	.001	.001 0 %100
21	SF2-V2	X	.001	.001 0 %100
22	SF1-BH	X	.000144	.000144 0 %100
23	SF1-TH	X	.000144	.000144 0 %100
24	SF2-BH	X	.001	.001 0 %100
25	SF2-TH	X	.001	.001 0 %100
26	FF1-BH1	Z	-0.002	-0.002 0 %100
27	FF1-BH2	Z	-0.002	-0.002 0 %100
28	FF1-BH3	Z	-0.002	-0.002 0 %100
29	FF1-TH1	Z	-0.002	-0.002 0 %100



Company : Tower Engineering Professionals, Inc.
 Designer : AJW
 Job Number : TEP No. 25556.515364
 Model Name : 6310 - FRANKLIN CT

Mar 29, 2021
 4:38 PM
 Checked By: -

Member Distributed Loads (BLC 24 : 120 Wind - Ice) (Continued)

Member Label	Direction	Start Magnitude[k/ft,F,ksf]	End Magnitude[k/ft...]	Start Location(ft,%)	End Location(ft,%)
30	FF1-TH2	Z	-0.002	0	%100
31	FF1-TH3	Z	-0.002	0	%100
32	FP-1	Z	-0.002	0	%100
33	FP-2	Z	-0.002	0	%100
34	FP-3	Z	-0.002	0	%100
35	FP-4	Z	-0.002	0	%100
36	MP-1	Z	-0.003	0	%100
37	MP-2	Z	-0.003	0	%100
38	MP-3	Z	-0.003	0	%100
39	MP-4	Z	-0.003	0	%100
40	SA-1	Z	-0.003	0	%100
41	SF1-D1	Z	-0.002	0	%100
42	SF1-V1	Z	-0.002	0	%100
43	SF1-V2	Z	-0.002	0	%100
44	SF2-D1	Z	-0.002	0	%100
45	SF2-V1	Z	-0.002	0	%100
46	SF2-V2	Z	-0.002	0	%100
47	SF1-BH	Z	-0.00233	0	%100
48	SF1-TH	Z	-0.00233	0	%100
49	SF2-BH	Z	-0.002	0	%100
50	SF2-TH	Z	-0.002	0	%100

Member Distributed Loads (BLC 25 : 135 Wind - Ice)

Member Label	Direction	Start Magnitude[k/ft,F,ksf]	End Magnitude[k/ft...]	Start Location(ft,%)	End Location(ft,%)
1	FF1-BH1	X	.002	0	%100
2	FF1-BH2	X	.002	0	%100
3	FF1-BH3	X	.002	0	%100
4	FF1-TH1	X	.002	0	%100
5	FF1-TH2	X	.002	0	%100
6	FF1-TH3	X	.002	0	%100
7	FP-1	X	.002	0	%100
8	FP-2	X	.002	0	%100
9	FP-3	X	.002	0	%100
10	FP-4	X	.002	0	%100
11	MP-1	X	.003	0	%100
12	MP-2	X	.003	0	%100
13	MP-3	X	.003	0	%100
14	MP-4	X	.003	0	%100
15	SA-1	X	.002	0	%100
16	SF1-D1	X	.002	0	%100
17	SF1-V1	X	.001	0	%100
18	SF1-V2	X	.001	0	%100
19	SF2-D1	X	.002	0	%100
20	SF2-V1	X	.001	0	%100
21	SF2-V2	X	.001	0	%100
22	SF1-BH	X	.00038	0	%100
23	SF1-TH	X	.00038	0	%100
24	SF2-BH	X	.002	0	%100
25	SF2-TH	X	.002	0	%100
26	FF1-BH1	Z	-0.002	0	%100
27	FF1-BH2	Z	-0.002	0	%100



Company : Tower Engineering Professionals, Inc.
 Designer : AJW
 Job Number : TEP No. 25556.515364
 Model Name : 6310 - FRANKLIN CT

Mar 29, 2021
 4:38 PM
 Checked By: -

Member Distributed Loads (BLC 25 : 135 Wind - Ice) (Continued)

Member Label	Direction	Start Magnitude[k/ft,F,ksf]	End Magnitude[k/ft...]	Start Location(ft,%)	End Location(ft,%)
28	FF1-BH3	Z	-0.002	0	%100
29	FF1-TH1	Z	-0.002	0	%100
30	FF1-TH2	Z	-0.002	0	%100
31	FF1-TH3	Z	-0.002	0	%100
32	FP-1	Z	-0.002	0	%100
33	FP-2	Z	-0.002	0	%100
34	FP-3	Z	-0.002	0	%100
35	FP-4	Z	-0.002	0	%100
36	MP-1	Z	-0.003	0	%100
37	MP-2	Z	-0.003	0	%100
38	MP-3	Z	-0.003	0	%100
39	MP-4	Z	-0.003	0	%100
40	SA-1	Z	-0.003	0	%100
41	SF1-D1	Z	-0.002	0	%100
42	SF1-V1	Z	-0.002	0	%100
43	SF1-V2	Z	-0.002	0	%100
44	SF2-D1	Z	-0.002	0	%100
45	SF2-V1	Z	-0.002	0	%100
46	SF2-V2	Z	-0.002	0	%100
47	SF1-BH	Z	-0.00355	0	%100
48	SF1-TH	Z	-0.00355	0	%100
49	SF2-BH	Z	-0.002	0	%100
50	SF2-TH	Z	-0.002	0	%100

Member Distributed Loads (BLC 26 : 150 Wind - Ice)

Member Label	Direction	Start Magnitude[k/ft,F,ksf]	End Magnitude[k/ft...]	Start Location(ft,%)	End Location(ft,%)
1	FF1-BH1	X	.003	0	%100
2	FF1-BH2	X	.003	0	%100
3	FF1-BH3	X	.003	0	%100
4	FF1-TH1	X	.003	0	%100
5	FF1-TH2	X	.003	0	%100
6	FF1-TH3	X	.003	0	%100
7	FP-1	X	.003	0	%100
8	FP-2	X	.003	0	%100
9	FP-3	X	.003	0	%100
10	FP-4	X	.003	0	%100
11	MP-1	X	.003	0	%100
12	MP-2	X	.003	0	%100
13	MP-3	X	.003	0	%100
14	MP-4	X	.003	0	%100
15	SA-1	X	.003	0	%100
16	SF1-D1	X	.002	0	%100
17	SF1-V1	X	.002	0	%100
18	SF1-V2	X	.002	0	%100
19	SF2-D1	X	.002	0	%100
20	SF2-V1	X	.002	0	%100
21	SF2-V2	X	.002	0	%100
22	SF1-BH	X	.001	0	%100
23	SF1-TH	X	.001	0	%100
24	SF2-BH	X	.003	0	%100
25	SF2-TH	X	.003	0	%100



Company : Tower Engineering Professionals, Inc.
 Designer : AJW
 Job Number : TEP No. 25556.515364
 Model Name : 6310 - FRANKLIN CT

Mar 29, 2021
 4:38 PM
 Checked By: -

Member Distributed Loads (BLC 26 : 150 Wind - Ice) (Continued)

Member Label	Direction	Start Magnitude[k/ft,F,ksf]	End Magnitude[k/ft...Start Location(ft,%)	End Location(ft,%)
26	FF1-BH1	Z	-0.002	0 %100
27	FF1-BH2	Z	-0.002	0 %100
28	FF1-BH3	Z	-0.002	0 %100
29	FF1-TH1	Z	-0.002	0 %100
30	FF1-TH2	Z	-0.002	0 %100
31	FF1-TH3	Z	-0.002	0 %100
32	FP-1	Z	-0.002	0 %100
33	FP-2	Z	-0.002	0 %100
34	FP-3	Z	-0.002	0 %100
35	FP-4	Z	-0.002	0 %100
36	MP-1	Z	-0.002	0 %100
37	MP-2	Z	-0.002	0 %100
38	MP-3	Z	-0.002	0 %100
39	MP-4	Z	-0.002	0 %100
40	SA-1	Z	-0.002	0 %100
41	SF1-D1	Z	-0.001	0 %100
42	SF1-V1	Z	-0.001	0 %100
43	SF1-V2	Z	-0.001	0 %100
44	SF2-D1	Z	-0.001	0 %100
45	SF2-V1	Z	-0.001	0 %100
46	SF2-V2	Z	-0.001	0 %100
47	SF1-BH	Z	-0.0062	0 %100
48	SF1-TH	Z	-0.0062	0 %100
49	SF2-BH	Z	-0.001	0 %100
50	SF2-TH	Z	-0.001	0 %100

Member Distributed Loads (BLC 27 : 180 Wind - Ice)

Member Label	Direction	Start Magnitude[k/ft,F,ksf]	End Magnitude[k/ft...Start Location(ft,%)	End Location(ft,%)
1	FF1-BH1	X	.004	0 %100
2	FF1-BH2	X	.004	0 %100
3	FF1-BH3	X	.004	0 %100
4	FF1-TH1	X	.004	0 %100
5	FF1-TH2	X	.004	0 %100
6	FF1-TH3	X	.004	0 %100
7	FP-1	X	.005	0 %100
8	FP-2	X	.005	0 %100
9	FP-3	X	.005	0 %100
10	FP-4	X	.005	0 %100
11	MP-1	X	.004	0 %100
12	MP-2	X	.004	0 %100
13	MP-3	X	.004	0 %100
14	MP-4	X	.004	0 %100
15	SA-1	X	.003	0 %100
16	SF1-D1	X	.002	0 %100
17	SF1-V1	X	.002	0 %100
18	SF1-V2	X	.002	0 %100
19	SF2-D1	X	.002	0 %100
20	SF2-V1	X	.002	0 %100
21	SF2-V2	X	.002	0 %100
22	SF1-BH	X	.003	0 %100
23	SF1-TH	X	.003	0 %100



Company : Tower Engineering Professionals, Inc.
 Designer : AJW
 Job Number : TEP No. 25556.515364
 Model Name : 6310 - FRANKLIN CT

Mar 29, 2021
 4:38 PM
 Checked By: -

Member Distributed Loads (BLC 27 : 180 Wind - Ice) (Continued)

Member Label	Direction	Start Magnitude[k/ft,F,ksf]	End Magnitude[k/ft...Start Location(ft,%)	End Location(ft,%)
24	SF2-BH	X	.003	0 %100
25	SF2-TH	X	.003	0 %100

Member Distributed Loads (BLC 28 : 210 Wind - Ice)

Member Label	Direction	Start Magnitude[k/ft,F,ksf]	End Magnitude[k/ft...Start Location(ft,%)	End Location(ft,%)
1	FF1-BH1	X	.003	0 %100
2	FF1-BH2	X	.003	0 %100
3	FF1-BH3	X	.003	0 %100
4	FF1-TH1	X	.003	0 %100
5	FF1-TH2	X	.003	0 %100
6	FF1-TH3	X	.003	0 %100
7	FP-1	X	.003	0 %100
8	FP-2	X	.003	0 %100
9	FP-3	X	.003	0 %100
10	FP-4	X	.003	0 %100
11	MP-1	X	.003	0 %100
12	MP-2	X	.003	0 %100
13	MP-3	X	.003	0 %100
14	MP-4	X	.003	0 %100
15	SA-1	X	.003	0 %100
16	SF1-D1	X	.002	0 %100
17	SF1-V1	X	.002	0 %100
18	SF1-V2	X	.002	0 %100
19	SF2-D1	X	.002	0 %100
20	SF2-V1	X	.002	0 %100
21	SF2-V2	X	.002	0 %100
22	SF1-BH	X	.003	0 %100
23	SF1-TH	X	.003	0 %100
24	SF2-BH	X	.001	0 %100
25	SF2-TH	X	.001	0 %100
26	FF1-BH1	Z	.002	0 %100
27	FF1-BH2	Z	.002	0 %100
28	FF1-BH3	Z	.002	0 %100
29	FF1-TH1	Z	.002	0 %100
30	FF1-TH2	Z	.002	0 %100
31	FF1-TH3	Z	.002	0 %100
32	FP-1	Z	.002	0 %100
33	FP-2	Z	.002	0 %100
34	FP-3	Z	.002	0 %100
35	FP-4	Z	.002	0 %100
36	MP-1	Z	.002	0 %100
37	MP-2	Z	.002	0 %100
38	MP-3	Z	.002	0 %100
39	MP-4	Z	.002	0 %100
40	SA-1	Z	.002	0 %100
41	SF1-D1	Z	.001	0 %100
42	SF1-V1	Z	.001	0 %100
43	SF1-V2	Z	.001	0 %100
44	SF2-D1	Z	.001	0 %100
45	SF2-V1	Z	.001	0 %100
46	SF2-V2	Z	.001	0 %100



Company : Tower Engineering Professionals, Inc.
 Designer : AJW
 Job Number : TEP No. 25556.515364
 Model Name : 6310 - FRANKLIN CT

Mar 29, 2021
 4:38 PM
 Checked By: -

Member Distributed Loads (BLC 28 : 210 Wind - Ice) (Continued)

Member Label	Direction	Start Magnitude[k/ft,F,ksf]	End Magnitude[k/ft...Start Location(ft,%)	End Location(ft,%)
47	SF1-BH	Z	.001	0 %100
48	SF1-TH	Z	.001	0 %100
49	SF2-BH	Z	.00062	0 %100
50	SF2-TH	Z	.00062	0 %100

Member Distributed Loads (BLC 29 : 225 Wind - Ice)

Member Label	Direction	Start Magnitude[k/ft,F,ksf]	End Magnitude[k/ft...Start Location(ft,%)	End Location(ft,%)
1	FF1-BH1	X	.002	0 %100
2	FF1-BH2	X	.002	0 %100
3	FF1-BH3	X	.002	0 %100
4	FF1-TH1	X	.002	0 %100
5	FF1-TH2	X	.002	0 %100
6	FF1-TH3	X	.002	0 %100
7	FP-1	X	.002	0 %100
8	FP-2	X	.002	0 %100
9	FP-3	X	.002	0 %100
10	FP-4	X	.002	0 %100
11	MP-1	X	.003	0 %100
12	MP-2	X	.003	0 %100
13	MP-3	X	.003	0 %100
14	MP-4	X	.003	0 %100
15	SA-1	X	.002	0 %100
16	SF1-D1	X	.002	0 %100
17	SF1-V1	X	.001	0 %100
18	SF1-V2	X	.001	0 %100
19	SF2-D1	X	.002	0 %100
20	SF2-V1	X	.001	0 %100
21	SF2-V2	X	.001	0 %100
22	SF1-BH	X	.002	0 %100
23	SF1-TH	X	.002	0 %100
24	SF2-BH	X	.00038	0 %100
25	SF2-TH	X	.00038	0 %100
26	FF1-BH1	Z	.002	0 %100
27	FF1-BH2	Z	.002	0 %100
28	FF1-BH3	Z	.002	0 %100
29	FF1-TH1	Z	.002	0 %100
30	FF1-TH2	Z	.002	0 %100
31	FF1-TH3	Z	.002	0 %100
32	FP-1	Z	.002	0 %100
33	FP-2	Z	.002	0 %100
34	FP-3	Z	.002	0 %100
35	FP-4	Z	.002	0 %100
36	MP-1	Z	.003	0 %100
37	MP-2	Z	.003	0 %100
38	MP-3	Z	.003	0 %100
39	MP-4	Z	.003	0 %100
40	SA-1	Z	.003	0 %100
41	SF1-D1	Z	.002	0 %100
42	SF1-V1	Z	.002	0 %100
43	SF1-V2	Z	.002	0 %100
44	SF2-D1	Z	.002	0 %100



Company : Tower Engineering Professionals, Inc.
 Designer : AJW
 Job Number : TEP No. 25556.515364
 Model Name : 6310 - FRANKLIN CT

Mar 29, 2021
 4:38 PM
 Checked By: -

Member Distributed Loads (BLC 29 : 225 Wind - Ice) (Continued)

Member Label	Direction	Start Magnitude[k/ft,F,ksf]	End Magnitude[k/ft...Start Location(ft,%)	End Location(ft,%)
45	SF2-V1	Z	.002	0 %100
46	SF2-V2	Z	.002	0 %100
47	SF1-BH	Z	.002	0 %100
48	SF1-TH	Z	.002	0 %100
49	SF2-BH	Z	.000355	0 %100
50	SF2-TH	Z	.000355	0 %100

Member Distributed Loads (BLC 30 : 240 Wind - Ice)

Member Label	Direction	Start Magnitude[k/ft,F,ksf]	End Magnitude[k/ft...Start Location(ft,%)	End Location(ft,%)
1	FF1-BH1	X	.001	0 %100
2	FF1-BH2	X	.001	0 %100
3	FF1-BH3	X	.001	0 %100
4	FF1-TH1	X	.001	0 %100
5	FF1-TH2	X	.001	0 %100
6	FF1-TH3	X	.001	0 %100
7	FP-1	X	.001	0 %100
8	FP-2	X	.001	0 %100
9	FP-3	X	.001	0 %100
10	FP-4	X	.001	0 %100
11	MP-1	X	.002	0 %100
12	MP-2	X	.002	0 %100
13	MP-3	X	.002	0 %100
14	MP-4	X	.002	0 %100
15	SA-1	X	.002	0 %100
16	SF1-D1	X	.001	0 %100
17	SF1-V1	X	.001	0 %100
18	SF1-V2	X	.001	0 %100
19	SF2-D1	X	.001	0 %100
20	SF2-V1	X	.001	0 %100
21	SF2-V2	X	.001	0 %100
22	SF1-BH	X	.001	0 %100
23	SF1-TH	X	.001	0 %100
24	SF2-BH	X	.000144	0 %100
25	SF2-TH	X	.000144	0 %100
26	FF1-BH1	Z	.002	0 %100
27	FF1-BH2	Z	.002	0 %100
28	FF1-BH3	Z	.002	0 %100
29	FF1-TH1	Z	.002	0 %100
30	FF1-TH2	Z	.002	0 %100
31	FF1-TH3	Z	.002	0 %100
32	FP-1	Z	.002	0 %100
33	FP-2	Z	.002	0 %100
34	FP-3	Z	.002	0 %100
35	FP-4	Z	.002	0 %100
36	MP-1	Z	.003	0 %100
37	MP-2	Z	.003	0 %100
38	MP-3	Z	.003	0 %100
39	MP-4	Z	.003	0 %100
40	SA-1	Z	.003	0 %100
41	SF1-D1	Z	.002	0 %100
42	SF1-V1	Z	.002	0 %100



Company : Tower Engineering Professionals, Inc.
 Designer : AJW
 Job Number : TEP No. 25556.515364
 Model Name : 6310 - FRANKLIN CT

Mar 29, 2021
 4:38 PM
 Checked By: -

Member Distributed Loads (BLC 30 : 240 Wind - Ice) (Continued)

Member Label	Direction	Start Magnitude[k/ft,F,ksf]	End Magnitude[k/ft...Start Location(ft,%)	End Location(ft,%)
43	SF1-V2	Z	.002	.002 0 %100
44	SF2-D1	Z	.002	.002 0 %100
45	SF2-V1	Z	.002	.002 0 %100
46	SF2-V2	Z	.002	.002 0 %100
47	SF1-BH	Z	.002	.002 0 %100
48	SF1-TH	Z	.002	.002 0 %100
49	SF2-BH	Z	.000233	.000233 0 %100
50	SF2-TH	Z	.000233	.000233 0 %100

Member Distributed Loads (BLC 31 : 270 Wind - Ice)

Member Label	Direction	Start Magnitude[k/ft,F,ksf]	End Magnitude[k/ft...Start Location(ft,%)	End Location(ft,%)
1	FF1-BH1	Z	0	0 0 %100
2	FF1-BH2	Z	0	0 0 %100
3	FF1-BH3	Z	0	0 0 %100
4	FF1-TH1	Z	0	0 0 %100
5	FF1-TH2	Z	0	0 0 %100
6	FF1-TH3	Z	0	0 0 %100
7	FP-1	Z	0	0 0 %100
8	FP-2	Z	0	0 0 %100
9	FP-3	Z	0	0 0 %100
10	FP-4	Z	0	0 0 %100
11	MP-1	Z	.004	.004 0 %100
12	MP-2	Z	.004	.004 0 %100
13	MP-3	Z	.004	.004 0 %100
14	MP-4	Z	.004	.004 0 %100
15	SA-1	Z	.004	.004 0 %100
16	SF1-D1	Z	.003	.003 0 %100
17	SF1-V1	Z	.002	.002 0 %100
18	SF1-V2	Z	.002	.002 0 %100
19	SF2-D1	Z	.003	.003 0 %100
20	SF2-V1	Z	.002	.002 0 %100
21	SF2-V2	Z	.002	.002 0 %100
22	SF1-BH	Z	.002	.002 0 %100
23	SF1-TH	Z	.002	.002 0 %100
24	SF2-BH	Z	.002	.002 0 %100
25	SF2-TH	Z	.002	.002 0 %100

Member Distributed Loads (BLC 32 : 300 Wind - Ice)

Member Label	Direction	Start Magnitude[k/ft,F,ksf]	End Magnitude[k/ft...Start Location(ft,%)	End Location(ft,%)
1	FF1-BH1	X	-.001	-.001 0 %100
2	FF1-BH2	X	-.001	-.001 0 %100
3	FF1-BH3	X	-.001	-.001 0 %100
4	FF1-TH1	X	-.001	-.001 0 %100
5	FF1-TH2	X	-.001	-.001 0 %100
6	FF1-TH3	X	-.001	-.001 0 %100
7	FP-1	X	-.001	-.001 0 %100
8	FP-2	X	-.001	-.001 0 %100
9	FP-3	X	-.001	-.001 0 %100
10	FP-4	X	-.001	-.001 0 %100
11	MP-1	X	-.002	-.002 0 %100
12	MP-2	X	-.002	-.002 0 %100



Company : Tower Engineering Professionals, Inc.
 Designer : AJW
 Job Number : TEP No. 25556.515364
 Model Name : 6310 - FRANKLIN CT

Mar 29, 2021
 4:38 PM
 Checked By: -

Member Distributed Loads (BLC 32 : 300 Wind - Ice) (Continued)

Member Label	Direction	Start Magnitude[k/ft,F,ksf]	End Magnitude[k/ft...Start Location(ft,%)	End Location(ft,%)
13	MP-3	X	-.002	-.002 0 %100
14	MP-4	X	-.002	-.002 0 %100
15	SA-1	X	-.002	-.002 0 %100
16	SF1-D1	X	-.001	-.001 0 %100
17	SF1-V1	X	-.001	-.001 0 %100
18	SF1-V2	X	-.001	-.001 0 %100
19	SF2-D1	X	-.001	-.001 0 %100
20	SF2-V1	X	-.001	-.001 0 %100
21	SF2-V2	X	-.001	-.001 0 %100
22	SF1-BH	X	-.000144	-.000144 0 %100
23	SF1-TH	X	-.000144	-.000144 0 %100
24	SF2-BH	X	-.001	-.001 0 %100
25	SF2-TH	X	-.001	-.001 0 %100
26	FF1-BH1	Z	.002	.002 0 %100
27	FF1-BH2	Z	.002	.002 0 %100
28	FF1-BH3	Z	.002	.002 0 %100
29	FF1-TH1	Z	.002	.002 0 %100
30	FF1-TH2	Z	.002	.002 0 %100
31	FF1-TH3	Z	.002	.002 0 %100
32	FP-1	Z	.002	.002 0 %100
33	FP-2	Z	.002	.002 0 %100
34	FP-3	Z	.002	.002 0 %100
35	FP-4	Z	.002	.002 0 %100
36	MP-1	Z	.003	.003 0 %100
37	MP-2	Z	.003	.003 0 %100
38	MP-3	Z	.003	.003 0 %100
39	MP-4	Z	.003	.003 0 %100
40	SA-1	Z	.003	.003 0 %100
41	SF1-D1	Z	.002	.002 0 %100
42	SF1-V1	Z	.002	.002 0 %100
43	SF1-V2	Z	.002	.002 0 %100
44	SF2-D1	Z	.002	.002 0 %100
45	SF2-V1	Z	.002	.002 0 %100
46	SF2-V2	Z	.002	.002 0 %100
47	SF1-BH	Z	.000233	.000233 0 %100
48	SF1-TH	Z	.000233	.000233 0 %100
49	SF2-BH	Z	.002	.002 0 %100
50	SF2-TH	Z	.002	.002 0 %100

Member Distributed Loads (BLC 33 : 315 Wind - Ice)

Member Label	Direction	Start Magnitude[k/ft,F,ksf]	End Magnitude[k/ft...Start Location(ft,%)	End Location(ft,%)
1	FF1-BH1	X	-.002	-.002 0 %100
2	FF1-BH2	X	-.002	-.002 0 %100
3	FF1-BH3	X	-.002	-.002 0 %100
4	FF1-TH1	X	-.002	-.002 0 %100
5	FF1-TH2	X	-.002	-.002 0 %100
6	FF1-TH3	X	-.002	-.002 0 %100
7	FP-1	X	-.002	-.002 0 %100
8	FP-2	X	-.002	-.002 0 %100
9	FP-3	X	-.002	-.002 0 %100
10	FP-4	X	-.002	-.002 0 %100



Company : Tower Engineering Professionals, Inc.
 Designer : AJW
 Job Number : TEP No. 25556.515364
 Model Name : 6310 - FRANKLIN CT

Mar 29, 2021
 4:38 PM
 Checked By: -

Member Distributed Loads (BLC 33 : 315 Wind - Ice) (Continued)

Member Label	Direction	Start Magnitude[k/ft,F,ksf]	End Magnitude[k/ft...Start Location(ft,%)	End Location(ft,%)
11	MP-1	X	-0.003	-0.003 0 %100
12	MP-2	X	-0.003	-0.003 0 %100
13	MP-3	X	-0.003	-0.003 0 %100
14	MP-4	X	-0.003	-0.003 0 %100
15	SA-1	X	-0.002	-0.002 0 %100
16	SF1-D1	X	-0.002	-0.002 0 %100
17	SF1-V1	X	-0.001	-0.001 0 %100
18	SF1-V2	X	-0.001	-0.001 0 %100
19	SF2-D1	X	-0.002	-0.002 0 %100
20	SF2-V1	X	-0.001	-0.001 0 %100
21	SF2-V2	X	-0.001	-0.001 0 %100
22	SF1-BH	X	-0.0038	-0.0038 0 %100
23	SF1-TH	X	-0.0038	-0.0038 0 %100
24	SF2-BH	X	-0.002	-0.002 0 %100
25	SF2-TH	X	-0.002	-0.002 0 %100
26	FF1-BH1	Z	.002	.002 0 %100
27	FF1-BH2	Z	.002	.002 0 %100
28	FF1-BH3	Z	.002	.002 0 %100
29	FF1-TH1	Z	.002	.002 0 %100
30	FF1-TH2	Z	.002	.002 0 %100
31	FF1-TH3	Z	.002	.002 0 %100
32	FP-1	Z	.002	.002 0 %100
33	FP-2	Z	.002	.002 0 %100
34	FP-3	Z	.002	.002 0 %100
35	FP-4	Z	.002	.002 0 %100
36	MP-1	Z	.003	.003 0 %100
37	MP-2	Z	.003	.003 0 %100
38	MP-3	Z	.003	.003 0 %100
39	MP-4	Z	.003	.003 0 %100
40	SA-1	Z	.003	.003 0 %100
41	SF1-D1	Z	.002	.002 0 %100
42	SF1-V1	Z	.002	.002 0 %100
43	SF1-V2	Z	.002	.002 0 %100
44	SF2-D1	Z	.002	.002 0 %100
45	SF2-V1	Z	.002	.002 0 %100
46	SF2-V2	Z	.002	.002 0 %100
47	SF1-BH	Z	.000355	.000355 0 %100
48	SF1-TH	Z	.000355	.000355 0 %100
49	SF2-BH	Z	.002	.002 0 %100
50	SF2-TH	Z	.002	.002 0 %100

Member Distributed Loads (BLC 34 : 330 Wind - Ice)

Member Label	Direction	Start Magnitude[k/ft,F,ksf]	End Magnitude[k/ft...Start Location(ft,%)	End Location(ft,%)
1	FF1-BH1	X	-0.003	-0.003 0 %100
2	FF1-BH2	X	-0.003	-0.003 0 %100
3	FF1-BH3	X	-0.003	-0.003 0 %100
4	FF1-TH1	X	-0.003	-0.003 0 %100
5	FF1-TH2	X	-0.003	-0.003 0 %100
6	FF1-TH3	X	-0.003	-0.003 0 %100
7	FP-1	X	-0.003	-0.003 0 %100
8	FP-2	X	-0.003	-0.003 0 %100



Company : Tower Engineering Professionals, Inc.
 Designer : AJW
 Job Number : TEP No. 25556.515364
 Model Name : 6310 - FRANKLIN CT

Mar 29, 2021
 4:38 PM
 Checked By: -

Member Distributed Loads (BLC 34 : 330 Wind - Ice) (Continued)

Member Label	Direction	Start Magnitude[k/ft,F,ksf]	End Magnitude[k/ft...Start Location(ft,%)	End Location(ft,%)
9	FP-3	X	-0.003	-0.003 0 %100
10	FP-4	X	-0.003	-0.003 0 %100
11	MP-1	X	-0.003	-0.003 0 %100
12	MP-2	X	-0.003	-0.003 0 %100
13	MP-3	X	-0.003	-0.003 0 %100
14	MP-4	X	-0.003	-0.003 0 %100
15	SA-1	X	-0.003	-0.003 0 %100
16	SF1-D1	X	-0.002	-0.002 0 %100
17	SF1-V1	X	-0.002	-0.002 0 %100
18	SF1-V2	X	-0.002	-0.002 0 %100
19	SF2-D1	X	-0.002	-0.002 0 %100
20	SF2-V1	X	-0.002	-0.002 0 %100
21	SF2-V2	X	-0.002	-0.002 0 %100
22	SF1-BH	X	-0.001	-0.001 0 %100
23	SF1-TH	X	-0.001	-0.001 0 %100
24	SF2-BH	X	-0.003	-0.003 0 %100
25	SF2-TH	X	-0.003	-0.003 0 %100
26	FF1-BH1	Z	.002	.002 0 %100
27	FF1-BH2	Z	.002	.002 0 %100
28	FF1-BH3	Z	.002	.002 0 %100
29	FF1-TH1	Z	.002	.002 0 %100
30	FF1-TH2	Z	.002	.002 0 %100
31	FF1-TH3	Z	.002	.002 0 %100
32	FP-1	Z	.002	.002 0 %100
33	FP-2	Z	.002	.002 0 %100
34	FP-3	Z	.002	.002 0 %100
35	FP-4	Z	.002	.002 0 %100
36	MP-1	Z	.002	.002 0 %100
37	MP-2	Z	.002	.002 0 %100
38	MP-3	Z	.002	.002 0 %100
39	MP-4	Z	.002	.002 0 %100
40	SA-1	Z	.002	.002 0 %100
41	SF1-D1	Z	.001	.001 0 %100
42	SF1-V1	Z	.001	.001 0 %100
43	SF1-V2	Z	.001	.001 0 %100
44	SF2-D1	Z	.001	.001 0 %100
45	SF2-V1	Z	.001	.001 0 %100
46	SF2-V2	Z	.001	.001 0 %100
47	SF1-BH	Z	.00062	.00062 0 %100
48	SF1-TH	Z	.00062	.00062 0 %100
49	SF2-BH	Z	.001	.001 0 %100
50	SF2-TH	Z	.001	.001 0 %100

Member Area Loads

Joint A	Joint B	Joint C	Joint D	Direction	Distribution	Magnitude[ksf]
No Data to Print ...						



Company : Tower Engineering Professionals, Inc.
 Designer : AJW
 Job Number : TEP No. 25556.515364
 Model Name : 6310 - FRANKLIN CT

Mar 29, 2021
 4:38 PM
 Checked By: -

Envelope Joint Reactions

Joint	X [k]	LC	Y [k]	LC	Z [k]	LC	MX [k-ft]	LC	MY [k-ft]	LC	MZ [k-ft]	LC
1 TC1-1	max 2.096	3	1.326	34	1.599	7	0	66	0	66	0	66
2	min -3.838	27	.097	10	-2.139	29	0	1	0	1	0	1
3 TC1-2	max 2.766	34	1.264	42	1.315	23	0	66	0	66	0	66
4	min -.8	10	.066	2	-1.251	64	0	1	0	1	0	1
5 SA-2A	max 2.073	31	.095	31	.723	31	0	66	0	66	0	66
6	min -2.077	23	-.07	7	-.724	23	0	1	0	1	0	1
7 Totals:	max 3.548	18	2.522	44	2.189	5						
8	min -3.548	10	.769	3	-2.189	13						

Envelope AISC 15th(360-16): LRFD Steel Code Checks

Member	Shape	Code Check	Loc[ft]	LC	Shear Ch.	Loc...	Dir	LC	phi*	phi*	phi*	phi*	Cb	Eqn	
1	MP-4	PIPE 2.0	.540	5.5	26	.070	2.5	27	19...	32...	1.8...	1.8...	1.321	H1...	
2	MP-1	PIPE 2.0	.540	5.5	26	.065	2.5	26	19...	32...	1.8...	1.8...	1.314	H1...	
3	FP-2	CWS00952	.334	0	19	.111	0	y	20	34...	34...	.359	1.5...	1.399	H1...
4	FF1-TH2	PIPE 2.0X	.323	8	26	.071	8	26	20...	63	3.6...	3.6...	1.842	H1...	
5	FF1-TH3	PIPE 2.0X	.304	.339	26	.138	.339	18	38...	63	3.6...	3.6...	1.269	H1...	
6	FF1-BH2	PIPE 2.0X	.292	0	10	.071	8	33	20...	63	3.6...	3.6...	2.751	H1...	
7	FP-1	CWS00952	.285	.323	18	.063	.323	y	18	34...	34...	.359	1.5...	1.141	H1...
8	FF1-TH1	PIPE 2.0X	.284	2.161	26	.136	2.1...	18	38...	63	3.6...	3.6...	1.852	H1...	
9	FF1-BH3	PIPE 2.0X	.282	.339	18	.128	.339	26	38...	63	3.6...	3.6...	1.18	H1...	
10	FF1-BH1	PIPE 2.0X	.278	2.161	18	.123	2.1...	26	38...	63	3.6...	3.6...	2.019	H1...	
11	FP-4	CWS00952	.273	0	26	.058	0	y	26	34...	34...	.359	1.5...	1.135	H1...
12	FP-3	CWS00952	.265	.323	26	.057	.323	y	26	34...	34...	.359	1.5...	1.138	H1...
13	MP-3	PIPE 2.0	.221	2.5	23	.083	2.5	23	23...	32...	1.8...	1.8...	3.176	H1...	
14	SF2-V1	SR 3/4	.212	0	41	.012	0	24	6.4...	19...	.249	.249	2.312	H1...	
15	MP-2	PIPE 2.0	.205	2.5	31	.065	2.5	31	23...	32...	1.8...	1.8...	3.241	H1...	
16	SF1-V1	SR 3/4	.200	0	43	.012	0	24	6.4...	19...	.249	.249	2.318	H1...	
17	SF2-BH	PIPE 2.0X	.159	.355	37	.088	0	41	45...	63	3.6...	3.6...	2.002	H1...	
18	SF1-BH	PIPE 2.0X	.157	.355	65	.085	0	43	45...	63	3.6...	3.6...	2.026	H1...	
19	SF2-TH	PIPE 2.0X	.156	.355	40	.095	0	35	45...	63	3.6...	3.6...	2	H1...	
20	SF1-TH	PIPE 2.0X	.154	.355	64	.090	0	49	45...	63	3.6...	3.6...	2.006	H1...	
21	SF2-V2	SR 3/4	.150	3	20	.013	0	21	6.4...	19...	.249	.249	2.69	H1...	
22	SF2-D1	SR 3/4	.127	4.689	35	.011	0	26	2.6...	19...	.249	.249	1.939	H1...	
23	SF1-V2	SR 3/4	.126	2.969	33	.014	0	20	6.4...	19...	.249	.249	2.666	H1...	
24	SF1-D1	SR 3/4	.110	4.689	34	.015	4.6...	26	2.6...	19...	.249	.249	1.904	H1...	
25	SA-1	PIPE 2.0	.103	6.707	31	.003	6.7...	23	21...	45.9	2.6...	2.6...	1.136	H1...	

Envelope None Cold Formed Steel Code Checks

Member	Shape	Code Check	Loc[ft]	LC	Shear Ch.	Loc...	Dir	LC	Pn[k]	Tn[k]	Mnyy[...]	Mnzz[...]	Cb	GmyyCmzz	Eqn
No Data to Print ...															



Code Revisions:	TIA-222-H	IBC 2018
Tower Type:	3 Sided Guyed Tower	

Wind Inputs:		
Ult. Wind Velocity:	123.0	mph
Live Load Velocity:	30.0	mph
Ice Wind Velocity:	50.0	mph
Base Ice Thickness:	1.00	inches
Mount Centerline:	196.0	ft
Antenna Centerline:	196.0	ft
Exposure Category:	B	
Topo Category:	5	
Risk Category:	II	
Ground Elevation:	505	ft

Wind Calculations:		
K_{zt} :	1.329	Section 2.6.6
K_d :	0.950	
$K_{z-Mount}$:	1.198	Section 2.6.5.2
$K_{z-Antenna}$:	1.198	Section 2.6.5.2
K_{iz} :	1.195	Section 2.6.10
Ice Thickness:	1.320	inches - Section 2.6.10

Without Ice - (psf)	With Ice - (psf)
$(q_z G_h)_{Mount}$: 57.51	$(q_z G_h)_{Mount}$: 9.50
$(q_z G_h)_{Antenna}$: 57.51	$(q_z G_h)_{Antenna}$: 9.50



6310 - FRANKLIN CT
 TEP No. 25556.515364
 Analysis By: AJW 3/29/2021
 Checked By: - 3/29/2021

Antenna Loads are Calculated in Accordance with TIA-222-H

Azimuth is the absolute angle measured clockwise from RISA-3D global X-axis.

MFR	Model	Height (in)	Width (in)	Depth (in)	Wt. (lbs)	Azimuth°	Qty	Shape	Member Label	Distance from start node of the member		
										Location #1 (ft,%)	Location #2 (ft,%)	Location #3 (ft,%)
CCI ANTENNAS	TPA65R-BU8DA-K	96.00	21.00	7.80	82.50	0.00	1	Flat	MP-1	0.50	7.50	
ERICSSON	4478 B14	16.50	13.40	7.70	59.90	0.00	1	Flat	MP-1	3.00		
ERICSSON	AIR6449 N77	30.40	15.90	10.60	81.60	0.00	1	Flat	MP-3	3.00	5.00	
CCI ANTENNAS	DMP65R-BU8DA-K	96.00	20.70	7.70	95.70	0.00	1	Flat	MP-4	0.50	7.50	
ERICSSON	4449 B5/B12	17.90	13.20	9.40	71.00	90.00	1	Flat	MP-4	3.00		
ERICSSON	8843 B2/66A	14.90	13.20	10.90	72.00	90.00	1	Flat	MP-4	3.00		
RAYCAP	DC9-48-60-24-8C-EV	31.40	18.30	10.20	16.00	36.00	1	Flat	SF1-TH	1.00		



6310 - FRANKLIN CT

TEP No. 25556.515364

Analysis By: AJW 3/29/2021

Checked By: - 3/29/2021

Member Forces are Calculated in Accordance with TIA-222-H

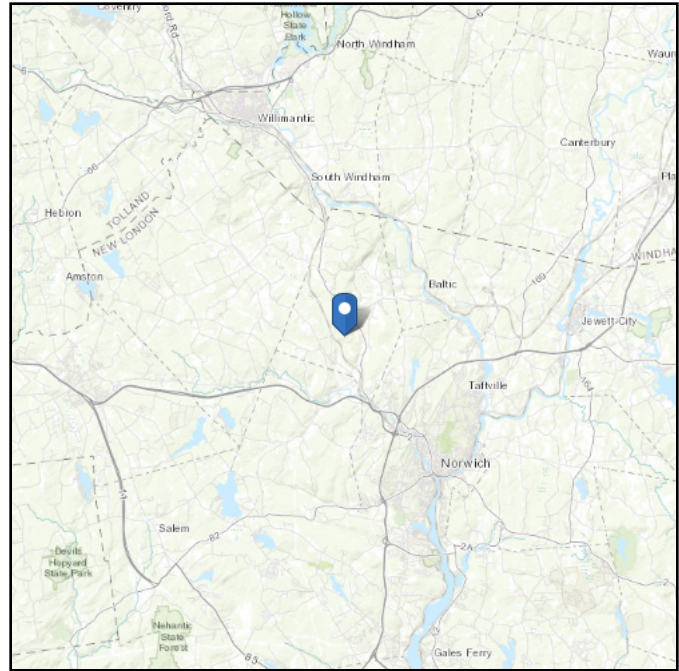
Member Name	Wind Proj. (in)	Length (in)	Shape	θ (°)	Perimeter (in)
FF1-BH1	2.375	156.00	Round	90.00	7.46
FF1-BH2	2.375	156.00	Round	90.00	7.46
FF1-BH3	2.375	156.00	Round	90.00	7.46
FF1-TH1	2.375	156.00	Round	90.00	7.46
FF1-TH2	2.375	156.00	Round	90.00	7.46
FF1-TH3	2.375	156.00	Round	90.00	7.46
FP-1	0.500	3.88	Flat	90.00	5.20
FP-2	0.500	3.88	Flat	90.00	5.20
FP-3	0.500	3.88	Flat	90.00	5.20
FP-4	0.500	3.88	Flat	90.00	5.20
MP-1	2.375	96.00	Round		7.46
MP-2	2.375	96.00	Round		7.46
MP-3	2.375	96.00	Round		7.46
MP-4	2.375	96.00	Round		7.46
SA-1	2.375	80.49	Round		7.46
SF1-D1	0.750	56.27	Round		2.36
SF1-V1	0.750	36.00	Round		2.36
SF1-V2	0.750	36.00	Round		2.36
SF2-D1	0.750	56.27	Round		2.36
SF2-V1	0.750	36.00	Round		2.36
SF2-V2	0.750	36.00	Round		2.36
SF1-BH	2.375	51.06	Round	54.79	7.46
SF1-TH	2.375	51.06	Round	54.79	7.46
SF2-BH	2.375	51.06	Round	-54.79	7.46
SF2-TH	2.375	51.06	Round	-54.79	7.46

ASCE 7 Hazards Report

Address:
No Address at This
Location

Standard: ASCE/SEI 7-16
Risk Category: II
Soil Class: D - Stiff Soil

Elevation: 505.26 ft (NAVD 88)
Latitude: 41.5977
Longitude: -72.145



Wind

Results:

Wind Speed:	123 Vmph
10-year MRI	75 Vmph
25-year MRI	85 Vmph
50-year MRI	95 Vmph
100-year MRI	100 Vmph

Data Source: ASCE/SEI 7-16, Fig. 26.5-1B and Figs. CC.2-1–CC.2-4, and Section 26.5.2
Date Accessed: Mon Mar 29 2021

Value provided is 3-second gust wind speeds at 33 ft above ground for Exposure C Category, based on linear interpolation between contours. Wind speeds are interpolated in accordance with the 7-16 Standard. Wind speeds correspond to approximately a 7% probability of exceedance in 50 years (annual exceedance probability = 0.00143, MRI = 700 years).

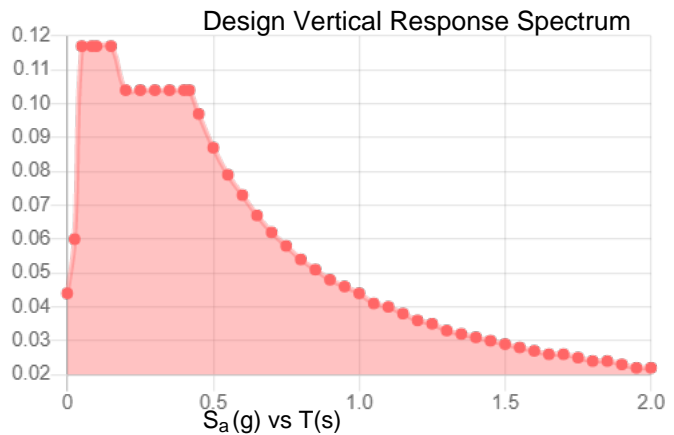
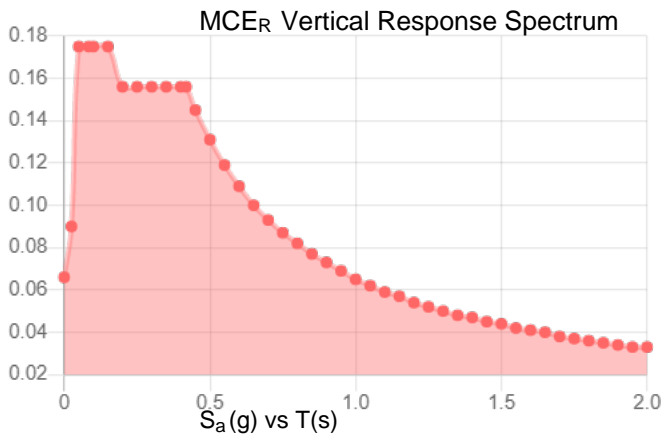
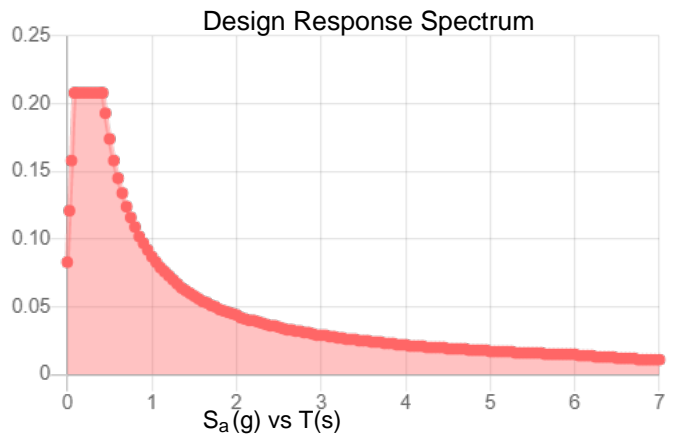
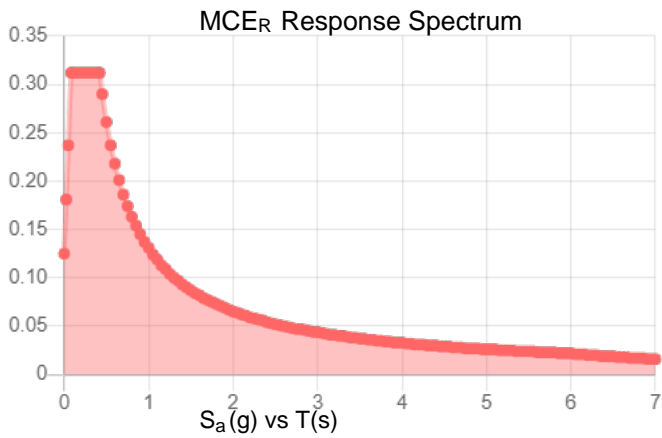
Site is in a hurricane-prone region as defined in ASCE/SEI 7-16 Section 26.2. Glazed openings need not be protected against wind-borne debris.

Site Soil Class: D - Stiff Soil

Results:

S_s :	0.195	S_{D1} :	0.087
S_1 :	0.054	T_L :	6
F_a :	1.6	PGA :	0.107
F_v :	2.4	PGA _M :	0.17
S_{MS} :	0.312	F_{PGA} :	1.586
S_{M1} :	0.131	I_e :	1
S_{DS} :	0.208	C_v :	0.7

Seismic Design Category B



Data Accessed: Mon Mar 29 2021
Date Source: USGS Seismic Design Maps based on ASCE/SEI 7-16 and ASCE/SEI 7-16 Table 1.5-2. Additional data for site-specific ground motion procedures in accordance with ASCE/SEI 7-16 Ch. 21 are available from USGS.

Ice

Results:

Ice Thickness: 1.00 in.

Concurrent Temperature: 15 F

Gust Speed: 50 mph

Data Source: Standard ASCE/SEI 7-16, Figs. 10-2 through 10-8

Date Accessed: Mon Mar 29 2021

Ice thicknesses on structures in exposed locations at elevations higher than the surrounding terrain and in valleys and gorges may exceed the mapped values.

Values provided are equivalent radial ice thicknesses due to freezing rain with concurrent 3-second gust speeds, for a 500-year mean recurrence interval, and temperatures concurrent with ice thicknesses due to freezing rain. Thicknesses for ice accretions caused by other sources shall be obtained from local meteorological studies. Ice thicknesses in exposed locations at elevations higher than the surrounding terrain and in valleys and gorges may exceed the mapped values.

The ASCE 7 Hazard Tool is provided for your convenience, for informational purposes only, and is provided “as is” and without warranties of any kind. The location data included herein has been obtained from information developed, produced, and maintained by third party providers; or has been extrapolated from maps incorporated in the ASCE 7 standard. While ASCE has made every effort to use data obtained from reliable sources or methodologies, ASCE does not make any representations or warranties as to the accuracy, completeness, reliability, currency, or quality of any data provided herein. Any third-party links provided by this Tool should not be construed as an endorsement, affiliation, relationship, or sponsorship of such third-party content by or from ASCE.

ASCE does not intend, nor should anyone interpret, the results provided by this Tool to replace the sound judgment of a competent professional, having knowledge and experience in the appropriate field(s) of practice, nor to substitute for the standard of care required of such professionals in interpreting and applying the contents of this Tool or the ASCE 7 standard.

In using this Tool, you expressly assume all risks associated with your use. Under no circumstances shall ASCE or its officers, directors, employees, members, affiliates, or agents be liable to you or any other person for any direct, indirect, special, incidental, or consequential damages arising from or related to your use of, or reliance on, the Tool or any information obtained therein. To the fullest extent permitted by law, you agree to release and hold harmless ASCE from any and all liability of any nature arising out of or resulting from any use of data provided by the ASCE 7 Hazard Tool.

Moment Bolt Group - Leg Connection

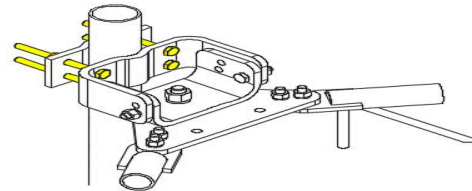
Code Revisions:	ANSI/TIA-222-H
Bolt Type:	Headed Bolts

Connection Inputs:

Bolt Size:	0.625	in
# Bolts:	4	
Plate Width:	-	in
Plate Height:	-	in
Bolt H Gap:	6.5	in
Bolt V Gap:	2.0	in
Plate T:	-	in
Slip Member Ø:	-	in
Bolt Grade:	A307	

Capacities:

Single Bolt Capacity =	12.4%	PASS
Bolt Capacity =	10.9%	PASS



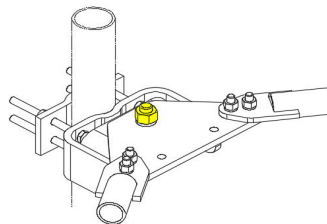
Bolt Properties:

$F_{y\text{bolt}}$:	36.0	ksi
$F_{u\text{bolt}}$:	60.0	ksi
r:	3.4	in
J:	46.3	in ⁴ /in ²
A_{bolt} :	0.3	in ²
$A_{\text{bolt, Net Tensile}}$:	0.2	in ²
Pretension:	9.5	kips

A_{gross} :	6.42	in ²
$A_{\text{Net Tensile}}$:	5.58	in ²
T_n =	208.07	

Single Bolt Check

Bolt Size:	1.000	
Bolt F_u :	120	ksi
Bolt $A_{\text{Net Tensile}}$:	0.606	in ²



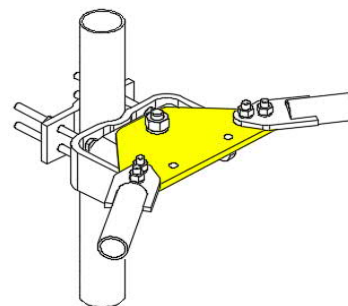
Max F_x :	3.838	kip
Max F_y :	1.326	kip
Max F_z :	2.139	kip

$V_{\text{max}} = 4.394$ kips

$\phi R_{NV} = 35.343$ kips

$T_{\text{max}} = 1.326$ kips

$\phi R_{NT} = 54.54$ kips



Moment Bolt Group - Face Horizontal

Code Checks Per ANSI/TIA-222-H-2017:		
Single Bolt Capacity =	27.5%	GOOD

Single Bolt Check

Bolt Size: 0.625 in
Bolt F_u : 120 ksi
Bolt_{A, Net Tensile}: 0.226 in²

$V_{max} = 3.791$ kips
 $\phi R_{NV} = 13.806$ kips

$T_{max} = 0.78$ kips
 $\phi R_{NT} = 20.340$ kips

Exhibit 6

NIER Study Report



NIER Study Report

SITE NAME:
6310 Franklin CT

LOCATION:
North Franklin, Connecticut

COMPANY: American
Tower Woburn,
Massachusetts

October 25th, 2021



Contents

DISCLAIMER NOTICE.....	2
INTRODUCTION.....	3
SITE AND FACILITY CONSIDERATIONS	3
POWER DENSITY CALCULATIONS.....	4
APPENDIX 1 SATELLITE PHOTO.....	5
APPENDIX 2 FCC OET-65 MPE LIMIT STUDY	6
APPENDIX 3 EFFECTIVE RADIATED POWER TABLE	7
APPENDIX 4 CHANNEL ASSIGNMENTS.....	8
APPENDIX 5 INFORMATION PERTAINING TO MPE STUDIES.....	9
APPENDIX 6 MPE STANDARDS METHODOLOGY	11



Disclaimer Notice

This work is based upon our best interpretation of available information. However, these data and their interpretation are constantly changing. Therefore, we do not warrant that any undertaking based on this report will be successful, or that others will not require further research or actions in support of this proposal or future undertaking. In the event of errors, our liability is strictly limited to replacement of this document with a corrected one. Liability for consequential damages is specifically disclaimed. Any use of this document constitutes an agreement to hold Tower Engineering Professionals and its employees harmless and indemnify it for all liability, claims, demands, and litigation expenses and attorney's fees arising out of such use.

Work product documents released prior to account settlement remain the sole property of Tower Engineering Professionals and must be returned on demand. Underlying work notes and data relating to this document remain the property of Tower Engineering Professionals. This document shall not be reproduced in whole or part without permission of Tower Engineering Professionals. Any dispute hereunder shall be adjudicated in North Carolina. Any use or retention of this document constitutes acceptance of these terms, the entire work product, and all charges associated therewith.

COPYRIGHT © 2021 BY
TOWER ENGINEERING PROFESSIONALS
KINSTON, NORTH CAROLINA



NIER STUDY REPORT

6310 Franklin CT

North Franklin, CT

INTRODUCTION

Tower Engineering Professionals (TEP) has been retained by American Tower (ATC) of Woburn, Massachusetts to evaluate the RF emissions of an existing tower at this location.

SITE AND FACILITY CONSIDERATIONS

Site Franklin CT is located at 89 Dr. Nott Road in North Franklin, CT at coordinates 41.597664, -72.144974. The support structure is a 300' guyed lattice tower. The installation consists of eleven antenna levels with radiation centers of 295', 270', 235', 203', 196', 180', 170', 156', 130', 105', 80' above ground level. All antennae will have a radiation center as described above. All data used in this study was provided by one or more of the following sources:

1. ATC furnished data
2. Compiled from carrier and manufacturer standard configurations
3. Empirical data collected by TEP

Most of the antennae are two-way communications systems with very short duty cycles and do not weigh heavily in the MPE calculations.

A topographic map of the study area is located in Appendix 1. A satellite view of the study area is located in Appendix 2.



POWER DENSITY CALCULATIONS

Graphs of the power density at different distances from the transmitter, compared to FCC MPE general population and occupational limits, may be seen in Appendix 2. These limits are based upon the Information Relating to MPE Standards found in Appendix 3. Study methodology may be seen in Appendix 4, which describes the Non-Ionizing Radiation Prediction Models. This site **IS** in compliance with FCC OET-65 MPE limits.

October 25th, 2021

Prepared By:

Adam Carlson MS, CBRS, CPI CBRE
Senior Field Tech
Tower Engineering Professionals

Approved By:

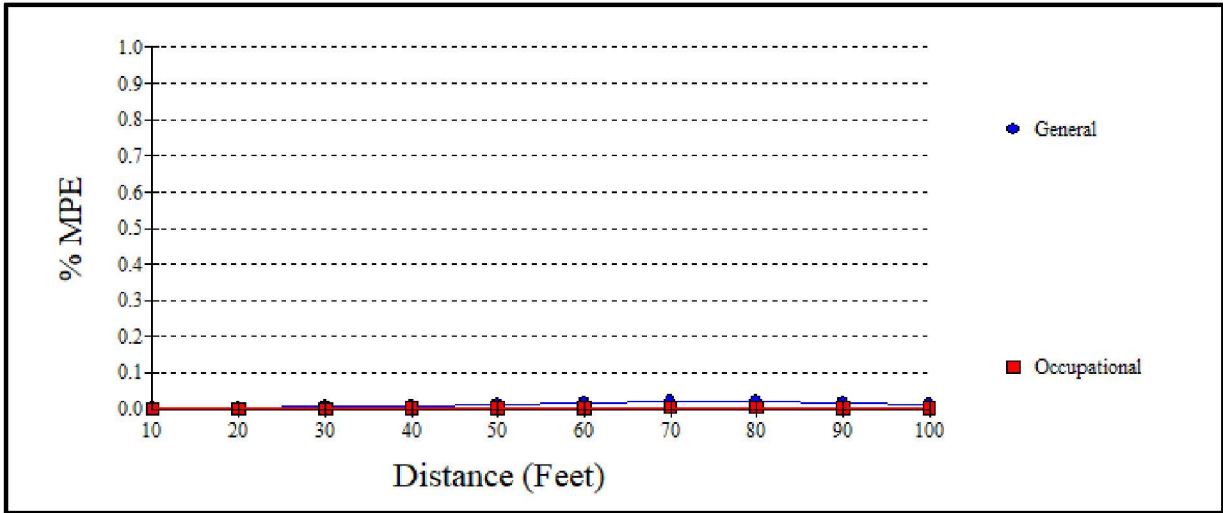


APPENDIX 1 Satellite Photo





APPENDIX 2 FCC OET-65 MPE Limit Study



Maximum Power Density (@20'):	0.0002 mW/cm ²
General Population MPE (@20'):	0.02%
Occupational MPE (@20'):	0.00%



APPENDIX 3 Effective Radiated Power Table

Operator	Frequency Band (MHz)	TPO (max) (Watts)	Antenna Gain (dB)	Total ERP (Watts)
AT&T PCS	1930-1970	250	17.2	8000
AT&T LTE	891-894	300	13.5	4095
AT&T 700	740-746	300	15.5	6490
AT&T AWS	1695-2500	250	15.5	8000
AT&T WCS	740-746	300	13.5	4095



APPENDIX 4 Channel Assignments

EUTRA OPERATING BAND	EARFCNDL	EARFCNUL	Download Channel Bandwidth (MHz)	Upload Channel Bandwidth (MHz)
PCS MHz A3+A4 (10MHz) E-UTRA Band 2	650	18650	10	10
PCS MHz E (5MHz) E-UTRA Band 2	975	18975	5	5
PCS MHz C5 (5MHz) E-UTRA Band 2	1175	19175	5	5
850 MHz B-2586 (5MHz) E-UTRA Band 5	2586	20586	5	5
700 MHz OFFSET LOWER_B+C (10 MHz) E-UTRA BAND 17	5780	23780	10	10
WCS MHz A+B (10 MHz) E-UTRA Band 30	9820	27710	10	10
AWS-3 MHz J (10 MHz) E-UTRA Band 66	67086	132622	10	10
700 MHz UPPER D (10 MHz) E-UTRA BAND 14	5330	23330	10	10
850 MHz B-2586 (5MHz) E-UTRA Band 5 (UMTS)	4413	4188	5	5



APPENDIX 5 Information Pertaining to MPE Studies

In 1985, the FCC first adopted guidelines to be used for evaluating human exposure to RF emissions. The FCC revised and updated these guidelines on August 1, 1996, as a result of a rule-making proceeding initiated in 1993. The new guidelines incorporate limits for Maximum Permissible Exposure (MPE) in terms of electric and magnetic field strength and power density for transmitters operating at frequencies between 300 kHz and 100 GHz.

The FCC's MPE limits are based on exposure limits recommended by the National Council on Radiation Protection and Measurements (NCRP) and, over a wide range of frequencies, the exposure limits were developed by the Institute of Electrical and Electronics Engineers, Inc., (IEEE) and adopted by the American National Standards Institute (ANSI) to replace the 1982 ANSI guidelines. Limits for localized absorption are based on recommendations of both ANSI/IEEE and NCRP.

The FCC's limits, and the NCRP and ANSI/IEEE limits on which they are based, are derived from exposure criteria quantified in terms of specific absorption rate (SAR). The basis for these limits is a whole-body averaged SAR threshold level of 4 watts per kilogram (4 W/kg), as averaged over the entire mass of the body, above which expert organizations have determined that potentially hazardous exposures may occur. The MPE limits are derived by incorporating safety factors that lead, in some cases, to limits that are more conservative than the limits originally adopted by the FCC in 1985. Where more conservative limits exist, they do not arise from a fundamental change in the RF safety criteria for whole-body averaged SAR, but from a precautionary desire to protect subgroups of the general population who, potentially, may be more at risk.

The FCC exposure limits are also based on data showing that the human body absorbs RF energy at some frequencies more efficiently than at others. The most restrictive limits occur in the frequency range of 30-300 MHz where whole-body absorption of RF energy by human beings is most efficient. At other frequencies, whole-body absorption is less efficient, and consequently, the MPE limits are less restrictive.



MPE limits are defined in terms of power density (units of milliwatts per centimeter squared: mW/cm^2), electric field strength (units of volts per meter: V/m) and magnetic field strength (units of amperes per meter: A/m). The far-field of a transmitting antenna is where the electric field vector (E), the magnetic field vector (H), and the direction of propagation can be considered to be all mutually orthogonal ("plane-wave" conditions).

Occupational/controlled exposure limits apply to situations in which persons are exposed as a consequence of their employment and in which those persons who are exposed have been made fully aware of the potential for exposure and can exercise control over their exposure. Occupational/controlled exposure limits also apply where exposure is of a transient nature as a result of incidental passage through a location where exposure levels may be above general population/uncontrolled limits (see below), as long as the exposed person has been made fully aware of the potential for exposure and can exercise control over his or her exposure by leaving the area or by some other appropriate means.

General population/uncontrolled exposure limits apply to situations in which the general public may be exposed or in which persons who are exposed as a consequence of their employment may not be made fully aware of the potential for exposure or cannot exercise control over their exposure. Therefore, members of the general public would always be considered under this category when exposure is not employment-related, for example, in the case of a telecommunications tower that exposes persons in a nearby residential area. Additional details can be found in FCC OET 65.



APPENDIX 6 MPE Standards Methodology

This study predicts RF field strength and power density levels that emanate from communications system antennae. It considers all transmitter power levels (less filter and line losses) delivered to each active transmitting antenna at the communications site. Calculations are performed to determine power density and MPE levels for each antenna as well as composite levels from all antennas. The calculated levels are based on where a human (Observer) would be standing at various locations at the site. The point of interest where the MPE level is predicted is based on the height of the Observer.

Compliance with the FCC limits on RF emissions are determined by spatially averaging a person's exposure over the projected area of an adult human body, that is approximately six-feet or two-meters, as defined in the ANSI/IEEE C95.1 standard. The MPE limits are specified as time-averaged exposure limits. This means that exposure is averaged over an identifiable time interval. It is 30 minutes for the general population/uncontrolled RF environment and 6 minutes for the occupational/controlled RF environment. However, in the case of the general public, time averaging should not be applied because the general public is typically not aware of RF exposure and they do not have control of their exposure time. Therefore, it should be assumed that any RF exposure to the general public will be continuous.

The FCC's limits for exposure at different frequencies are shown in the following Tables.

Limits for Occupational/Controlled Exposure				
Frequency Range (MHz)	Electric Field Strength (E) (V/m)	Magnetic Field Strength (H) (A/m)	Power Density (S) (mW/cm²)	Averaging Time E ², H ² or S (minutes)
0.3 - 3.0	614	1.63	100*	6
3.0 - 30	1842/f	4.89/f	900/F ²	6
30 - 300	61.4	0.163	1.0	6
300 - 1500	--	--	f/300	6
1500 - 100,000	--	--	5	6

f = frequency

* = Plane-wave equivalent power density



Occupational/controlled limits apply in situations in which persons are exposed as a consequence of their employment provided those persons are fully aware of the potential for exposure and can exercise control over their exposure. Limits for occupational/controlled exposure also apply in situations when an individual is transient through a location where occupational/controlled limits apply provided he or she is made aware of the potential for exposure.

Limits for General Population/Uncontrolled Exposure				
Frequency Range (MHz)	Electric Field Strength (E) (V/m)	Magnetic Field Strength (H) (A/m)	Power Density (S) (mW/cm ²)	Averaging Time E ² , H ² or S (minutes)
0.3 - 1.34	614	1.63	100*	30
1.34 - 30	824/f	2.19/f	180/F ²	30
30 -300	27.5	0.073	0.2	30
300 -1500	--	--	f/1500	30
1500 -100,000	--	--	1.0	30

f = frequency

* = Plane-wave equivalent power density

General population/uncontrolled exposures apply in situations in which the general public may be exposed or in which persons that are exposed as a consequence of their employment may not be fully aware of the potential for exposure or cannot exercise control over their exposure.

It is important to understand that these limits apply cumulatively to all sources of RF emissions affecting a given area. For example, if several different communications system antennas occupy a shared facility such as a tower or rooftop, then the total exposure from all systems at the facility must be within compliance of the FCC guidelines.

The field strength emanating from an antenna can be estimated based on the characteristics of an antenna radiating in free space. There are basically two field areas associated with a radiating antenna. When close to the antenna, the region is known as the Near Field. Within this region, the characteristics of the RF fields are very complex and the wave front is extremely curved. As you move further from the antenna, the wave front has less curvature and becomes planar. The wave front still has a curvature but it appears to occupy a flat plane in space (plane-wave radiation). This region is known as the Far Field.



Two models are utilized to predict Near and Far field power densities. They are based on the formulae in FCC OET 65. As this study is concerned only with Near Field calculations, we will only describe the model used for this study. For additional details, refer to FCC OET Bulletin 65.

Cylindrical Model (Near Field Predictions)

Spatially averaged plane-wave equivalent power densities parallel to the antenna may be estimated by dividing the antenna input power by the surface area of an imaginary cylinder surrounding the length of the radiating antenna. While the actual power density will vary along the height of the antenna, the average value along its length will closely follow the relation given by the following equation:

$$S = P \div 2\pi RL$$

Where:

S = Power Density

P = Total Power into antenna

R = Distance from the antenna

L = Antenna aperture length

For directional-type antennas, power densities can be estimated by dividing the input power by that portion of a cylindrical surface area corresponding to the angular beam width of the antenna. For example, for the case of a 120-degree azimuthal beam width, the surface area should correspond to 1/3 that of a full cylinder. This would increase the power density near the antenna by a factor of three over that for a purely omni-directional antenna. Mathematically, this can be represented by the following formula:

$$S = (180 / \theta_{BW}) P \div \pi RL$$

Where:

S = Power Density

θ_{BW} = Beam width of antenna in degrees (3 dB half-power point)

P = Total Power into antenna

R = Distance from the antenna

L = Antenna aperture length

If the antenna is a 360-degree omni-directional antenna, this formula would be equivalent to the previous formula.



Spherical Model (Far Field Predictions)

Spatially averaged plane-wave power densities in the Far Field of an antenna may be estimated by considering the additional factors of antenna gain and reflective waves that would contribute to exposure.

The radiation pattern of an antenna has developed in the Far Field region and the power gain needs to be considered in exposure predictions. Also, if the vertical radiation pattern of the antenna is considered, the exposure predictions would most likely be reduced significantly at ground level, resulting in a more realistic estimate of the actual exposure levels.

Additionally, to model a truly "worst case" prediction of exposure levels at or near a surface, such as at ground-level or on a rooftop, reflection off the surface of antenna radiation power can be assumed, resulting in a potential four-fold increase in power density.

These additional factors are considered and the Far Field prediction model is determined by the following equation:

$$S = EIRP \times Rc \div 4\pi R^2$$

Where:

S = Power Density

EIRP = Effective Radiated Power from antenna

Rc = Reflection Coefficient (2.56)

R = Distance from the antenna

The EIRP includes the antenna gain. If the antenna pattern is considered, the antenna gain is relative based on the horizontal and vertical pattern gain values at that particular location in space, on a rooftop or on the ground. However, it is recommended that the antenna radiation pattern characteristics not be considered to provide a conservative "worst case" prediction. This is the equation is utilized for the Far Field exposure predictions herein.

Exhibit 7

Original Facility Approval

1759

PERMIT

TOWN OF FRANKLIN
APPLICATION FOR BASIC BUILDING PERMIT
APPLICATION FOR ZONING PERMIT

M36
L
8

DATE: January 5, 1999

OWNER: American Tower Corporation

ADDRESS: 321 Columbus Avenue, 5th floor, Boston, MA02116 MAP #: 13

LOT #: 51

DESCRIPTION: Installation of new 300' guyed tower

CLASS:	FLOORING:	HEATING:
TYPE:		AIR COND.:
STORIES:	INT. WALLS:	GAS:
FLOOR AREA:	ELECTRICAL:	ELEC.:
	BATH RMS.:	OIL:
FOUNDATION:	TOILET RMS.:	CHIMNEY:
EXT. WALLS:	HOT WATER:	FIREPLACE:
ROOFING:	GAS:	
BASEMENT:	ELEC.:	OTHER:
	OIL:	

APPLICATION FOR ZONING PERMIT

		FRONT	L. SIDE	R. SIDE	REAR
DISTANCE	WELL:				
FROM	SEPTIC:				
PROP. LINE	BUILDING:				
DISTANCE OF ANY ACTIVITY FROM WETLANDS					FEET

I CERTIFY THAT THE ABOVE INCLUDED
INFORMATION IS ACCURATE AND FACTUAL
TO THE BEST OF MY KNOWLEDGE.

Michael Levine

1/11/99
PAID @ K#
2568

APPLICANT: Michael Levine, Construction Manager

BUILDING INSPECTOR: *Chas...*

EST. COST: \$250,000

BLD. PER: 2500.⁰⁰

DRIVEWAY:

HEATING:

PLUMBING:

ELECTRIC: PAID

C.O.: PAID

TOTAL FEE: 2500.⁰⁰

TOWN OF FRANKLIN
ZONING PERMIT APPLICATION

received
1/11/99 OSB
\$10.00 state surcharge

PERMIT #: ZP-991 DATE: 1-5-99

APPLICATION IS HEREBY APPLIED FOR A ZONING PERMIT FOR THE PURPOSE DESCRIBED HEREIN:

APPLICANT: AMERICAN TOWER ADDRESS: 3721 COLUMBUS AVE, BOSTON MA

OWNER: THOMAS SHAKUN ADDRESS: 89 DR. NOTT RD

LOT SIZE: ~~R-80~~ ASSESSOR'S MAP #: 13 ASSESSOR'S LOT #: 51

PROPERTY IN FLOOD PLAIN (check one): [] YES or [X] NO

ZONE DISTRICT: R-80 SPECIAL PERMIT (check one): [] YES or [X] NO

PROVIDED SETBACKS:

800' FRONT 1300 RIGHT SIDE 700' LEFT SIDE 170' REAR

PROPOSED PURPOSE DESCRIPTION: CONSTRUCT TOWER & 5 SHELTER (4-10'X20' PRECAST) (1-12'X40' PRECAST)

DIMENSIONS: SEE APPROVED SITE PLAN FLOOR AREA: SITE PLAN ESTIMATED COST: \$ 25,000

APPLICANTS FOR PERMITTED SINGLE-FAMILY DWELLINGS AND ACCESSORY BUILDINGS OR EXPANSIONS/ADDITIONS OF SUCH BUILDINGS ON RESIDENTIAL LOTS SHALL COMPLETE A PLOT PLAN. APPLICANTS FOR ALL OTHER BUILDINGS AND USES SHALL SUBMIT APPLICATION DESIGNED BY THE PLANNING AND ZONING COMMISSION.

CONDITIONS OF APPROVAL: APPROVAL OF ZBA 9-22-98

PLANNING AND ZONING COMMISSION DECISION: 9-16-98

(check one) [X] APPROVED or [] DENIED

REQUIREMENTS OF SITE PLAN MUST BE ADHERED TO. FAILURE TO COMPLY WITH ZONING REGULATIONS OR OF THE APPROVED SITE PLAN SHALL CONSTITUTE A VIOLATION OF THIS PERMIT AND SHALL BE DECLARED INVALID. THIS PERMIT IS ISSUED ON THE BASIS OF THE APPLICATION CERTIFIES CONFORMANCE WITH FRANKLIN ZONING REGULATIONS. OTHER PERMITS MAY BE REQUIRED, SUCH AS THOSE CONCERNING DRIVEWAYS, WETLANDS, BUILDINGS, AND HEALTH CODES. OBTAINING THE ADDITIONAL PERMITS IS THE RESPONSIBILITY OF THE APPLICANT.

SIGNATURE OF APPLICANT: Martin Lema, American Tower

SIGNATURE OF ZONING ENFORCEMENT OFFICER: [Signature]

DATE: 1-5-99

Exhibit 8

(4) Notice Confirmations

Kimberly Revak

From: UPS <pkginfo@ups.com>
Sent: Wednesday, October 27, 2021 10:11 PM
To: Kimberly Revak
Subject: UPS Schedule Delivery Update, Tracking Number 1Z9Y45030330472402



Your scheduled delivery date has changed.

Scheduled Delivery Date: Thursday, 10/28/2021

Important Delivery Information

From: CENTERLINE SITE ACQUISITION
Tracking Number: [1Z9Y45030330472402](#)

Shipment Details

Ship To: VICTORIA L ETAL
PENSKE AITCHISON
89 Dr Nott Road
NORTH FRANKLIN, CT 062541306
US

Number of Packages: 1
Weight: 1.0 LBS
Reference Number 1: Franklin - LL



It's the thought that counts

[Create a Return](#)



[Download the UPS mobile app](#)

Kimberly Revak

From: UPS <pkginfo@ups.com>
Sent: Wednesday, October 27, 2021 10:11 PM
To: Kimberly Revak
Subject: UPS Schedule Delivery Update, Tracking Number 1Z9Y45030338270231



Your scheduled delivery date has changed.

Scheduled Delivery Date: Friday, 10/29/2021

Important Delivery Information

From: CENTERLINE SITE ACQUISITION
Tracking Number: [1Z9Y45030338270231](#)

Shipment Details

Ship To: Gary Waitt – Site Development
American Tower Corporation
10 Presidential Way
WOBURN, MA 018011053
US

Number of Packages: 1
Weight: 1.0 LBS
Reference Number 1: Franklin – ATC



It's the thought that counts

[Create a Return](#)



[Download the UPS mobile app](#)

Kimberly Revak

From: UPS <pkginfo@ups.com>
Sent: Wednesday, October 27, 2021 10:11 PM
To: Kimberly Revak
Subject: UPS Schedule Delivery Update, Tracking Number 1Z9Y45030320244623



Your scheduled delivery date has changed.

Scheduled Delivery Date: Thursday, 10/28/2021

Important Delivery Information

From: CENTERLINE SITE ACQUISITION
Tracking Number: [1Z9Y45030320244623](#)

Shipment Details

Ship To: Ronald Chalecki - Planning/Zoning
Town of Franklin
Town Hall
7 Meetinghouse Hill Road
NORTH FRANKLIN, CT 062541330
US

Number of Packages: 1
Weight: 1.0 LBS
Reference Number 1: Franklin - Zoning



It's the thought that counts

[Create a Return](#)



[Download the UPS mobile app](#)

Kimberly Revak

From: UPS <pkginfo@ups.com>
Sent: Wednesday, October 27, 2021 10:11 PM
To: Kimberly Revak
Subject: UPS Schedule Delivery Update, Tracking Number 1Z9Y45030324612012



Your scheduled delivery date has changed.

Scheduled Delivery Date: Thursday, 10/28/2021

Important Delivery Information

From: CENTERLINE SITE ACQUISITION
Tracking Number: [1Z9Y45030324612012](#)

Shipment Details

Ship To: First Selectman - Charles Grant
Town of Franklin
Town Hall
7 Meetinghouse Hill Road
NORTH FRANKLIN, CT 062541330
US

Number of Packages: 1
Weight: 1.0 LBS
Reference Number 1: Franklin - Town



It's the thought that counts

[Create a Return](#)



[Download the UPS mobile app](#)