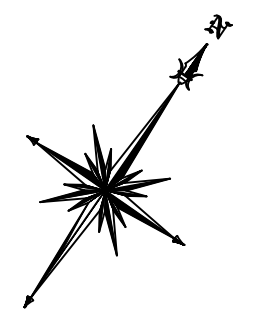
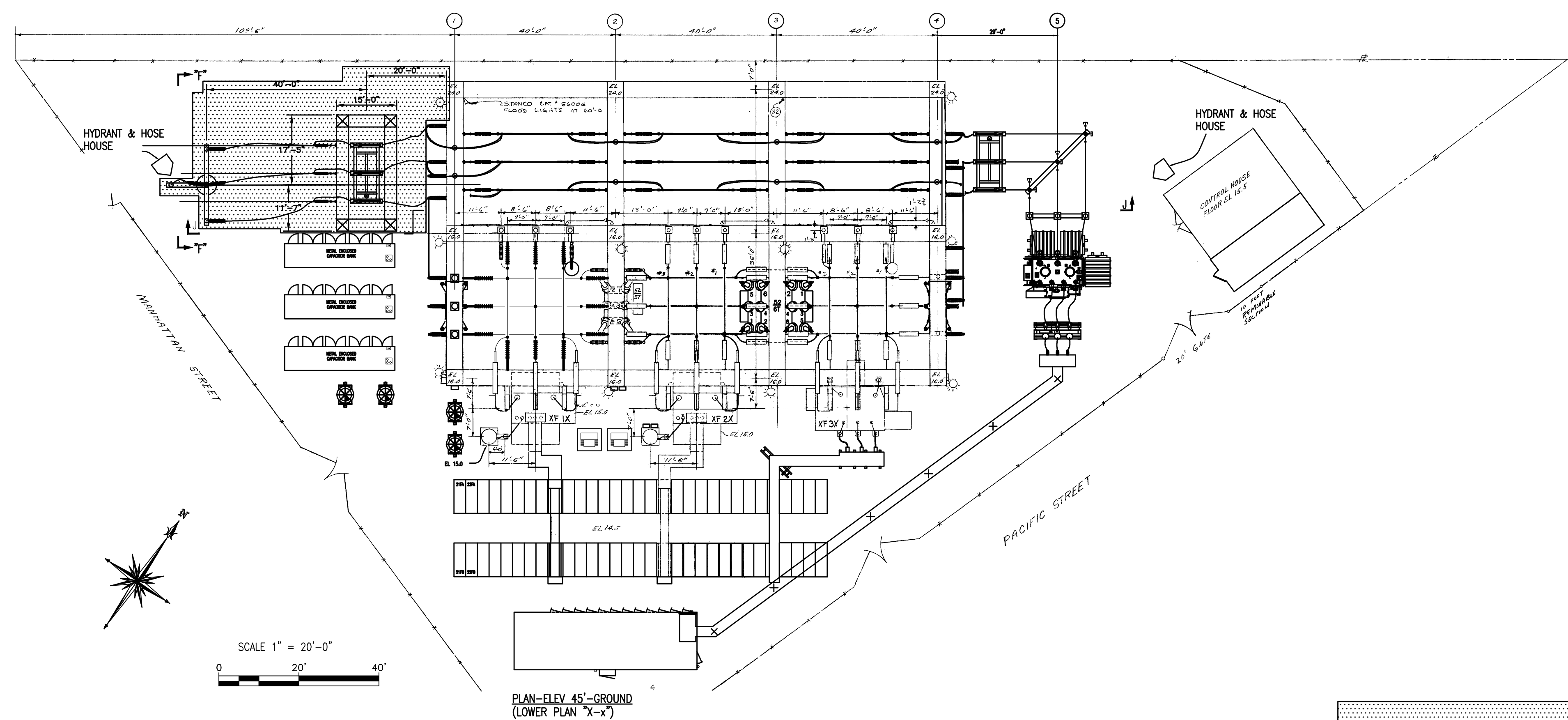


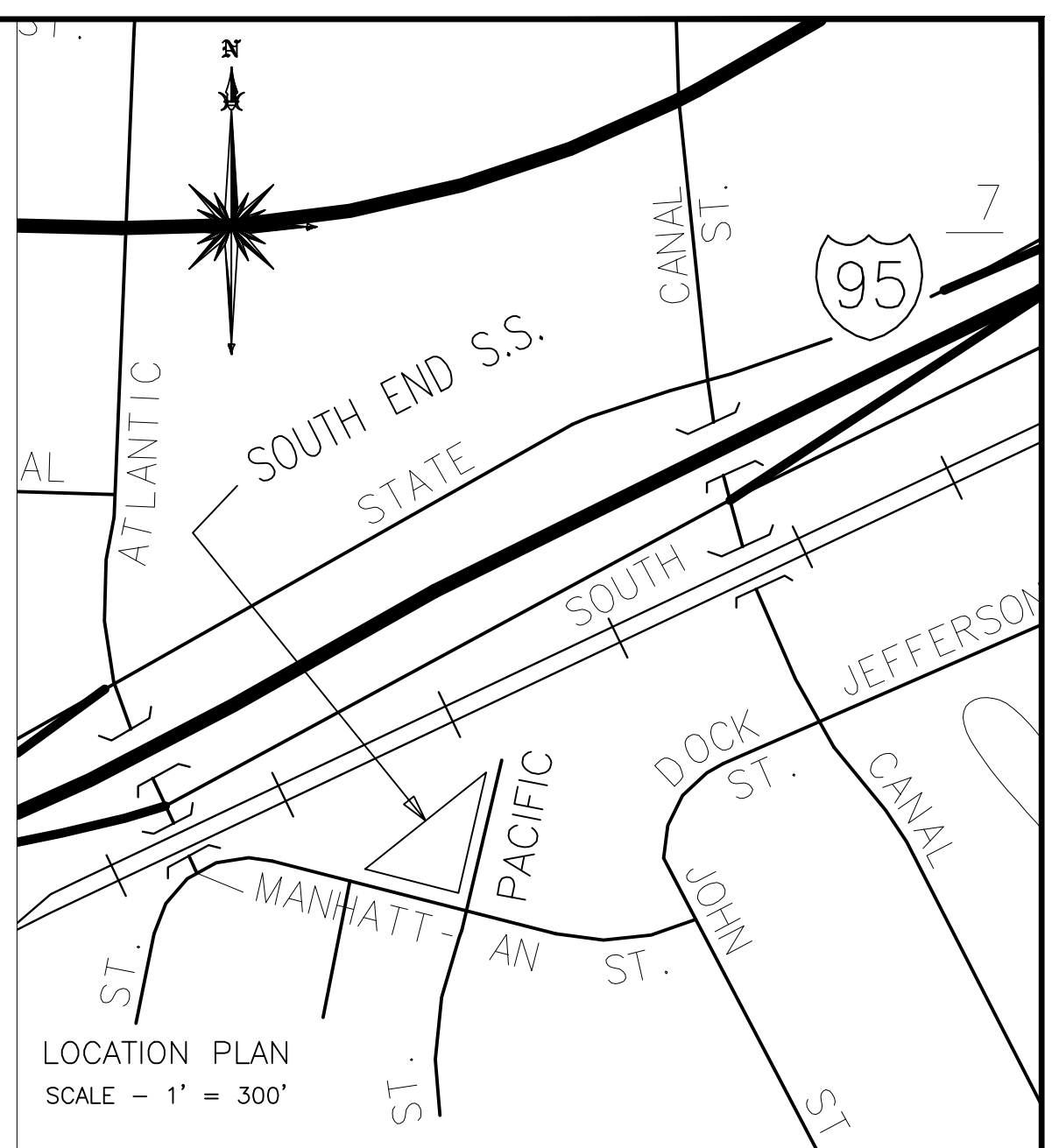
Appendix C
Substation Plans

Appendix C.1
South End Substation Plan

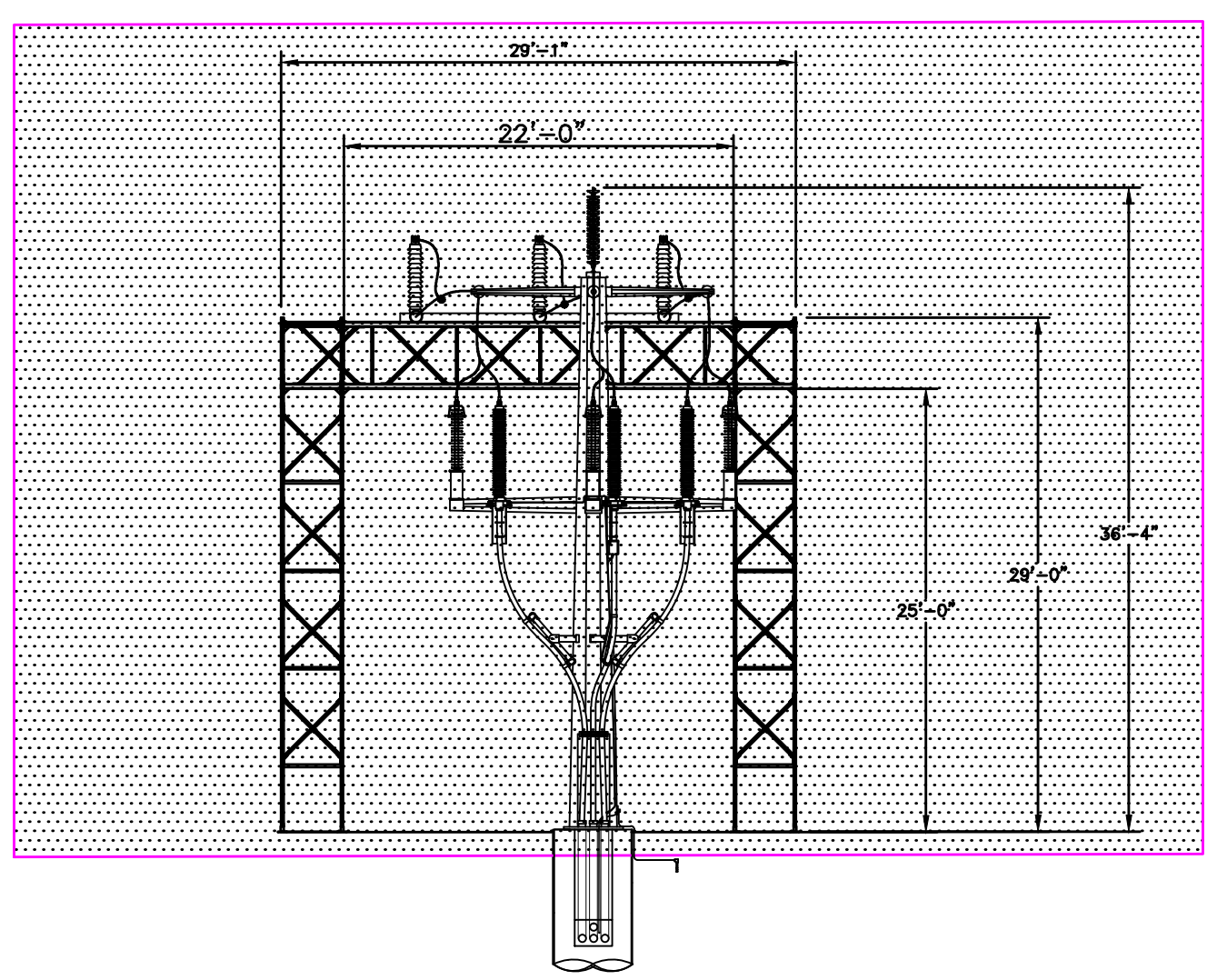


SCALE 1" = 20'-0"
 0 20' 40'

PLAN-ELEV 45'-GROUND
 (LOWER PLAN "X-X")

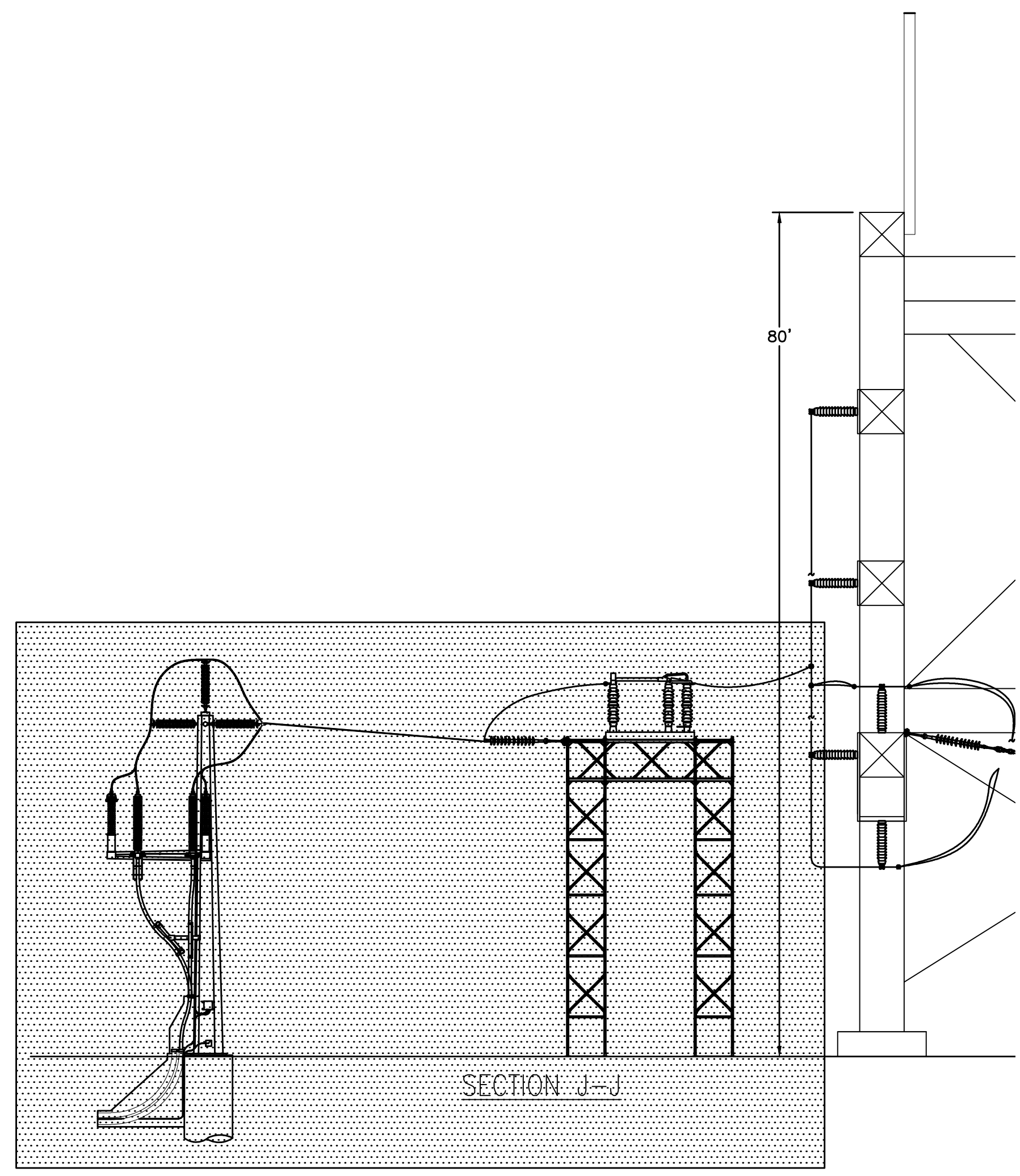


LOCATION PLAN
 SCALE - 1" = 300'



SECTION F-F

SCALE 1" = 10'-0"
 0 10' 20'



SECTION J-J

SCALE 1" = 10'-0"
 0 5' 10'

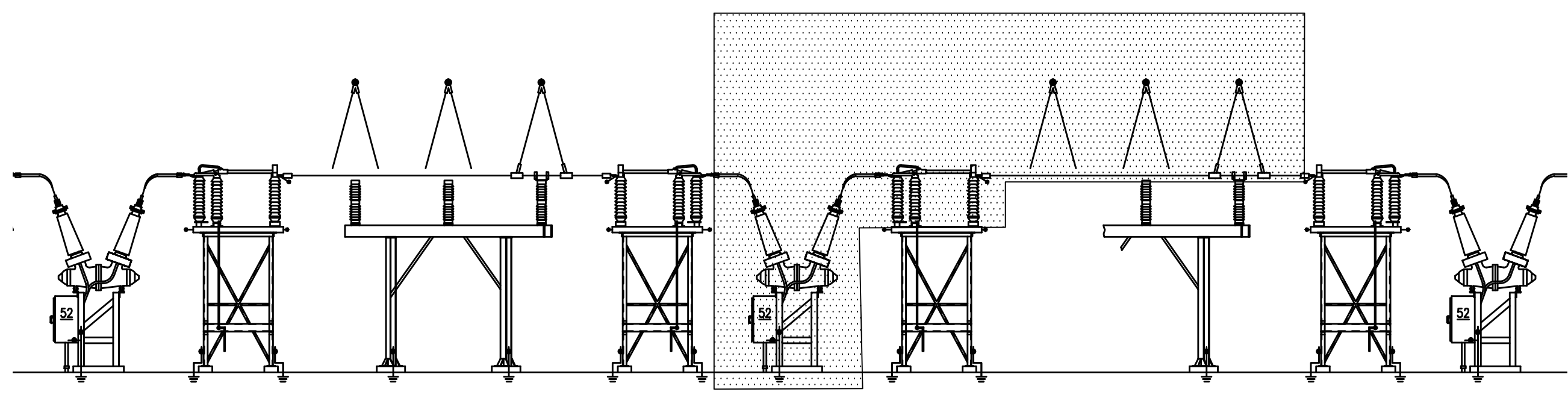
LEGEND

- FENCE
- PROPERTY LINE
- 2012 ADDITIONS

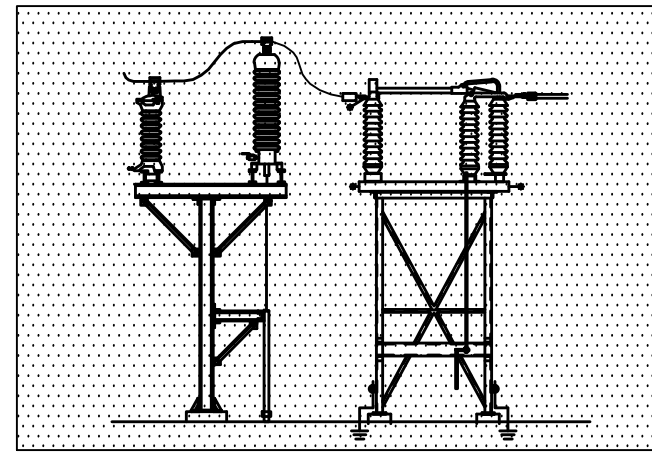
REVISIONS DURING CONSTRUCTION							
NO.	DATE	BY	CHK	APP	APP	DATE	DESCRIPTION

		Northeast Utilities Service Co. FOR THE CONNECTICUT LIGHT AND POWER COMPANY					
		SOUTH END PLAN & SECTIONS CONNECTICUT SITING COUNCIL STAMFORD, CT					
BY	WSP	DRW	REM	APP	REM	APP	PTM
DATE	7/84	DATE	7/84	DATE	7/84	DATE	7/84
H-SCALE	AS NOTED	SIZE	D	FIELD BOOK & PAGES			
V-SCALE	AS NOTED	V.S.		R.E. DWG			
R.E. PROJ. NUMBER				NUSCO 23504-92001			

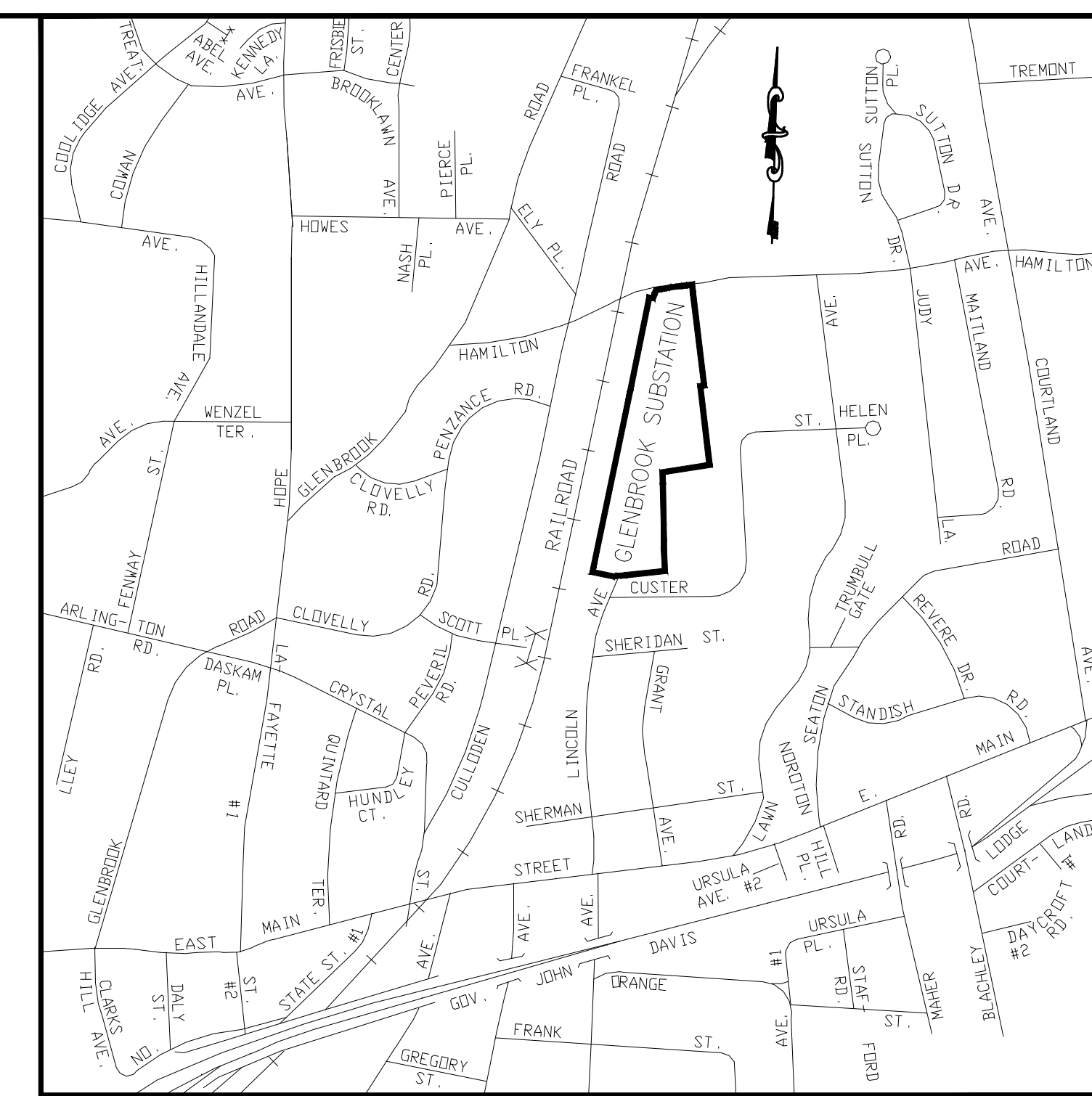
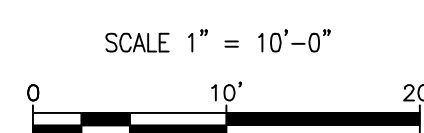
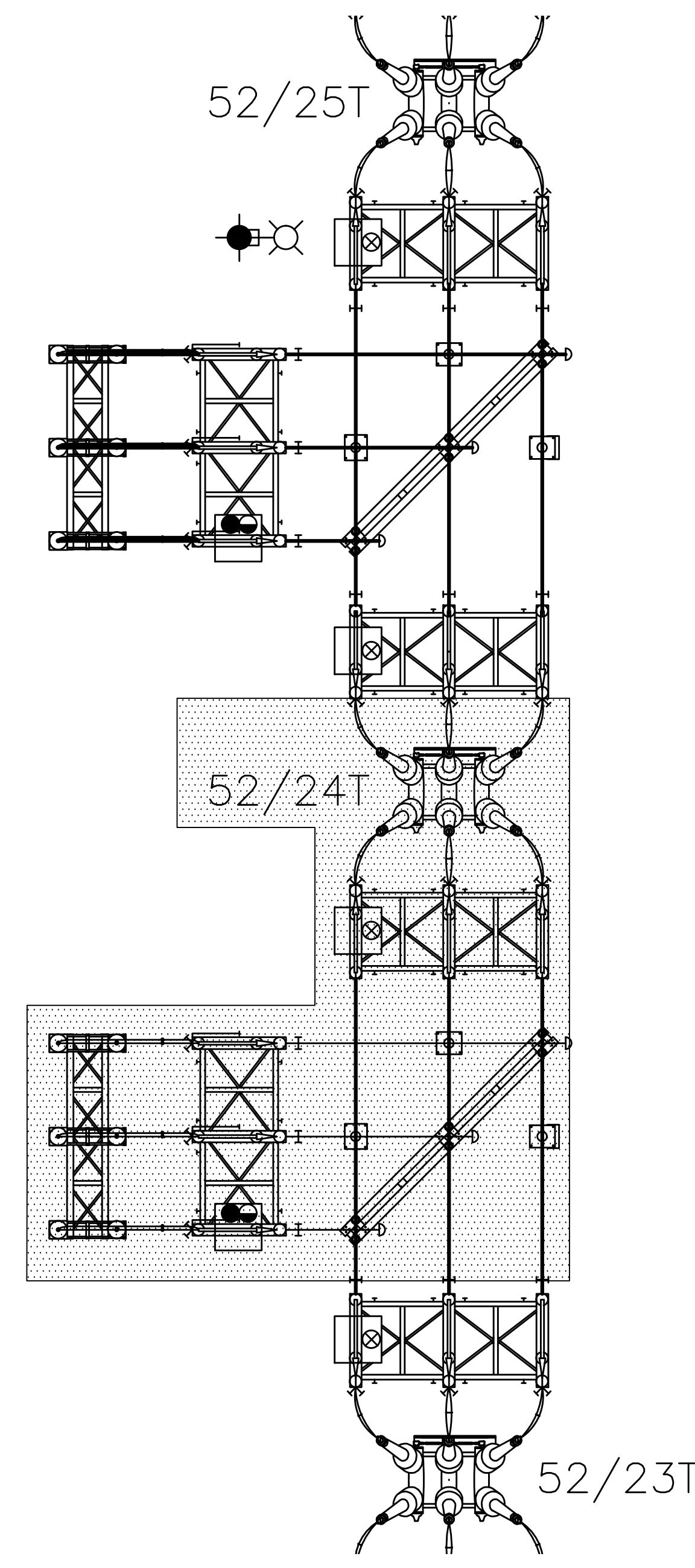
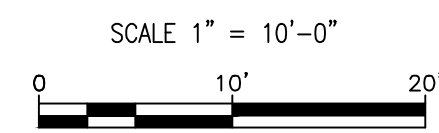
Appendix C.2
Glenbrook Substation Plan



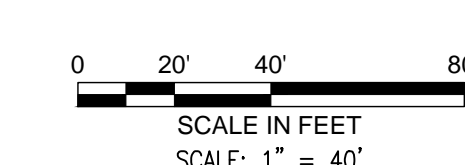
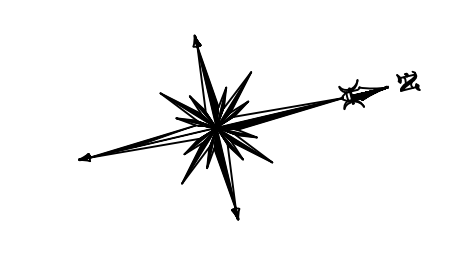
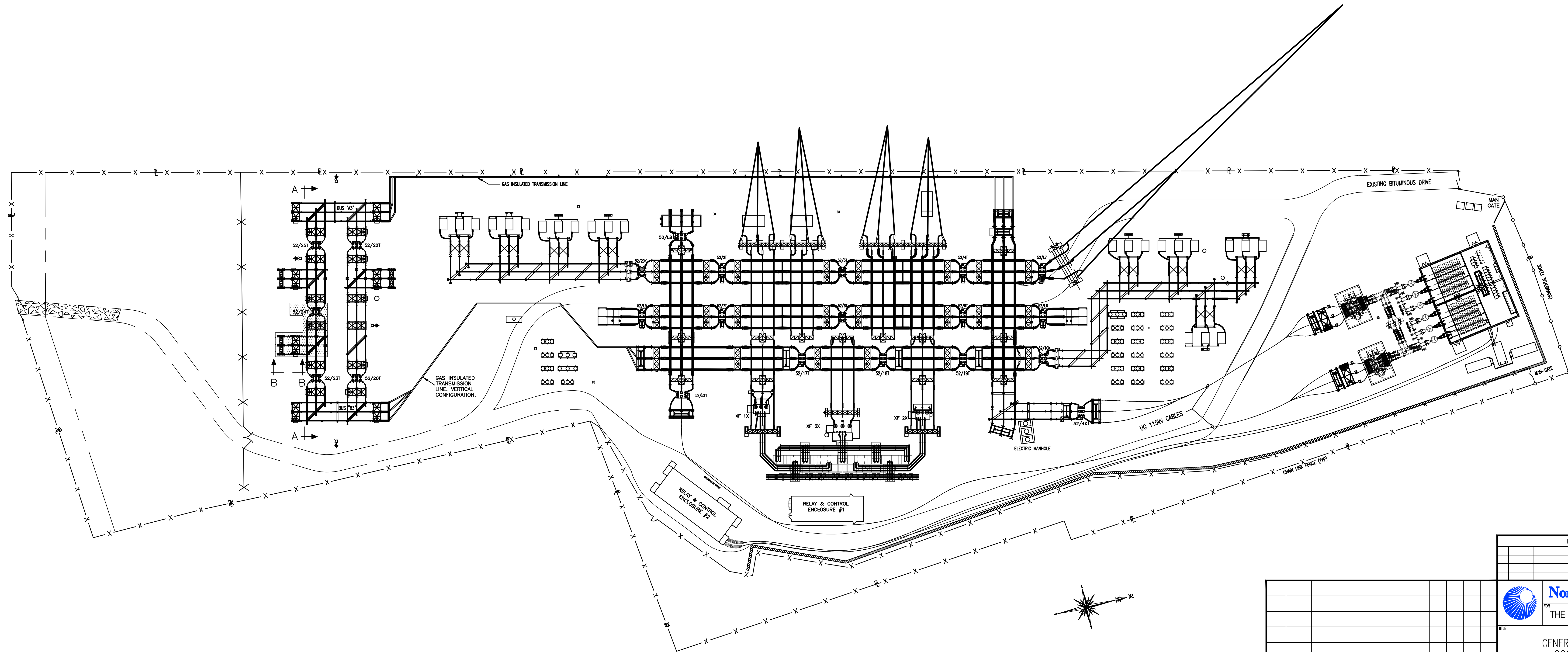
Section A-A



Section B-B



Location Plan Scale - 1"=800'



REVISIONS DURING CONSTRUCTION																										
NO.	DATE	AS BUILT REVISIONS	BY	CHK	APP																					
<p>Northeast Utilities Service Co. FOR THE CONNECTICUT LIGHT AND POWER COMPANY</p> <p>GLENBROOK GENERAL ARRANGEMENT - CSC PLAN CONNECTICUT SITING COUNCIL STAMFORD, CT</p> <table border="1"> <thead> <tr> <th>BY</th> <th>DATE</th> <th>CHK</th> <th>APP</th> <th>LEG</th> <th>APP</th> <th>ALG</th> </tr> </thead> <tbody> <tr> <td>KPKR</td> <td>2/2003</td> <td>REM</td> <td>APP</td> <td>LEG</td> <td>APP</td> <td>ALG</td> </tr> <tr> <td> </td> <td> </td> <td> </td> <td> </td> <td> </td> <td> </td> <td> </td> </tr> </tbody> </table> <p>H-SHALE: SHE, E, REL BOOK & PAGES V-SHALE: VES, REL BOOK & PAGES</p> <p>DESIGN NUMBER: NESC0 PROJECT NUMBER: 23505-92001</p>						BY	DATE	CHK	APP	LEG	APP	ALG	KPKR	2/2003	REM	APP	LEG	APP	ALG							
						BY	DATE	CHK	APP	LEG	APP	ALG														
						KPKR	2/2003	REM	APP	LEG	APP	ALG														