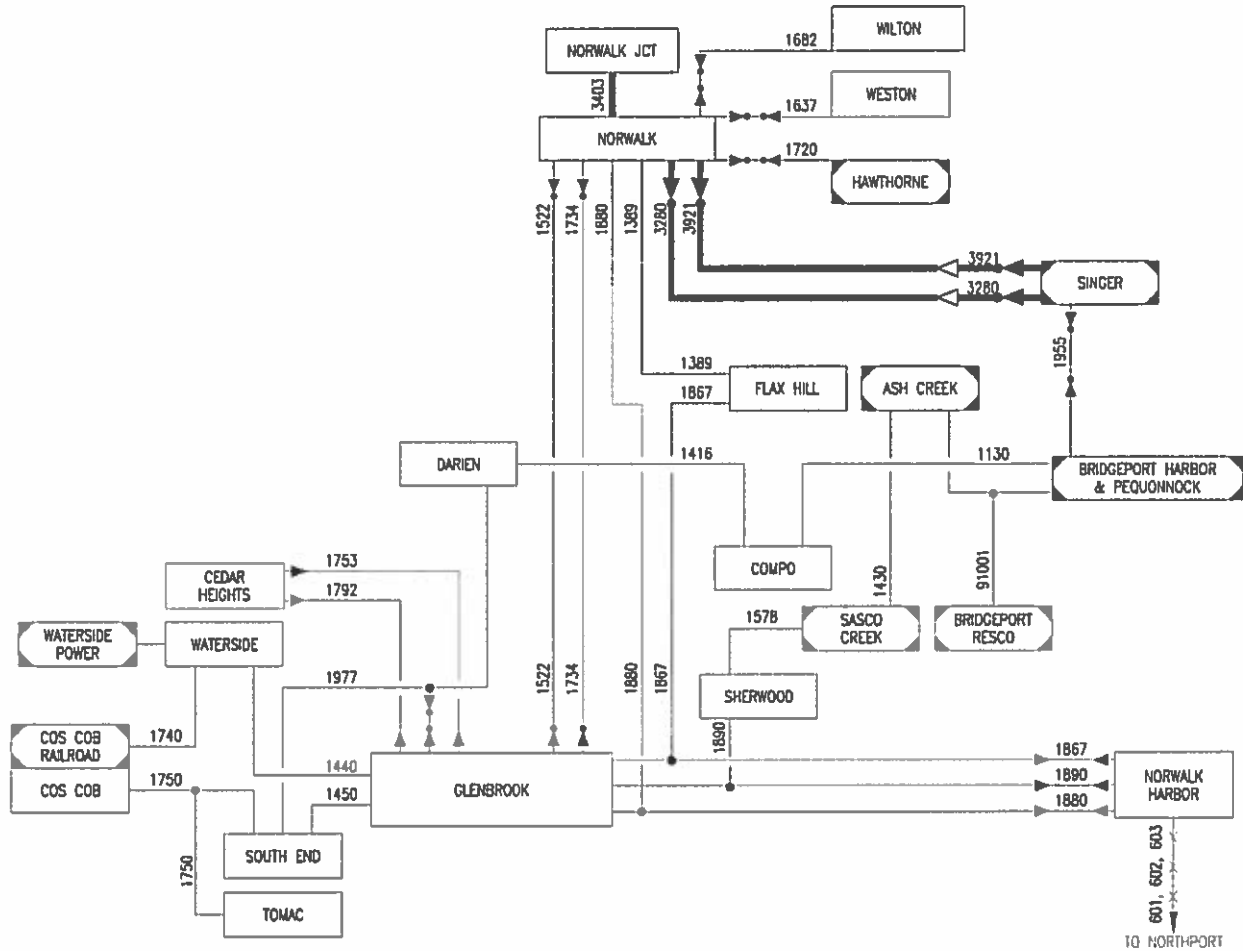


Local Area One-line including Stamford-Greenwich Sub-area



SYMBOLS

- | | | | |
|-------|-------------------|--------------------------|--------|
| 345KV | 150KV D.C. CABLE | UNDERGROUND CABLE (XLPE) | NU |
| 115KV | 135KV L.I. CABLE | UNDERGROUND CABLE (HPFF) | NOT NU |
| 69KV | UNDERGROUND CABLE | | NOT NU |