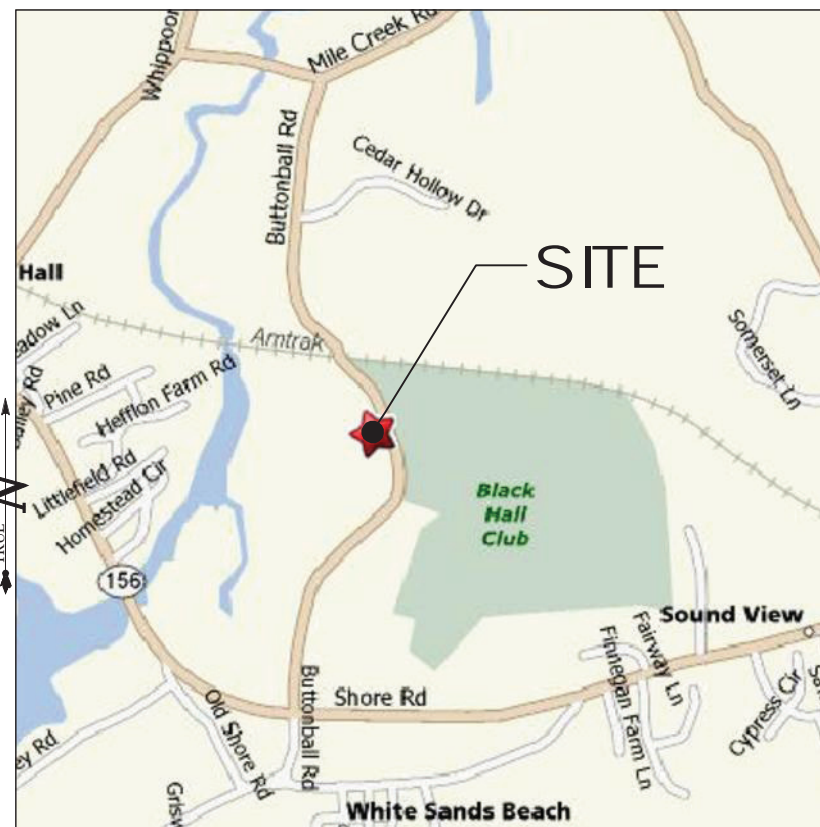
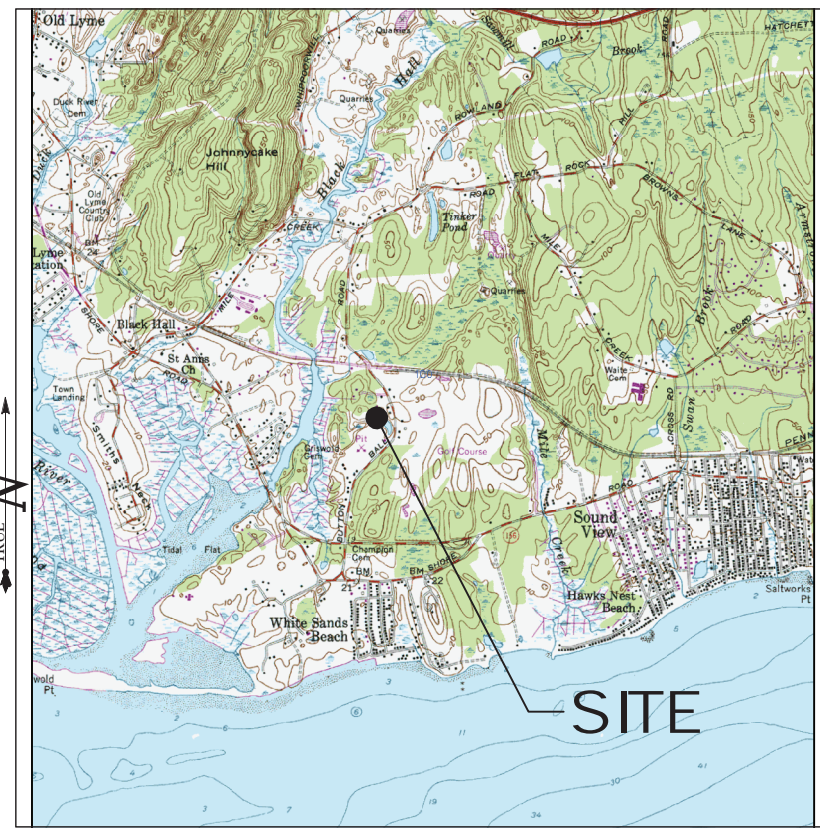


LOCATION MAP



SCALE: NTS

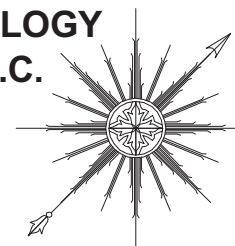
USGS TOPOGRAPHIC MAP



SCALE: 4" = 2000'

ALL-POINTS TECHNOLOGY CORPORATION, P.C.

3 SADDLEBROOK DRIVE
KILLINGWORTH, CT. 06419
PHONE: (860)-663-1697
FAX: (860)-663-0935
www.allpointstech.com



CONTACT PERSONNEL

APPLICANT:
T-MOBILE NORTHEAST LLC
35 GRIFFIN ROAD
BLOOMFIELD, CT 06002

LANDLORD
RON SWANEY, LLC
59 BUTTONBALL ROAD
OLD LYME, CT 06371

T-MOBILE PROJECT MANAGER:
PAUL SAENZ (914) 447-3581

T-MOBILE PROJECT ATTORNEY:
JULIE D. KOHLER, ESQ.
COHEN AND WOLF, P.C.
1115 BROAD STREET
BRIDGEPORT, CT 06604
203-337-4157

POWER PROVIDER:
CL&P (860) 447-5304
JOE GROUS - CASE# 1299939

TELCO PROVIDER:
AT&T: (800)-727-8368

CALL BEFORE YOU DIG:
(800) 922-4455

GOVERNING CODES:
2005 CONNECTICUT BUILDING CODE (2003 IBC BASIS)
NATIONAL ELECTRIC CODE
EIA 71A 222F
2002 CONNECTICUT GUIDELINES FOR SOIL EROSION
& SEDIMENT CONTROL

SITE INFORMATION

CTNL801A
AMTRAK OLD LYME 2
61-1 BUTTONBALL ROAD
OLD LYME, CT 06371-1757

DEVELOPMENT & MANAGEMENT PLAN DRAWING INDEX

- | | |
|-------------------------------------|---------------------------------------|
| T-1 TITLE SHEET & INDEX | C-1 T-MOBILE EQUIPMENT PLAN & DETAILS |
| R-1 ABUTTERS MAP & CONSTR. SEQUENCE | S-1 COMPOUND DETAILS |
| SP-1 SITE PLAN | N-1 NOTES & SPECIFICATIONS |
| SP-2 GRADING & EROSION CONTROL PLAN | |
| A-1 COMPOUND PLAN & TOWER ELEVATION | |

*SITE INFORMATION:

-SITE NAME:..... AMTRAK OLD LYME 2
-SITE ID NUMBER:..... CTNL801A
-SITE ADDRESS:..... 61-1 BUTTONBALL ROAD
OLD LYME, CT 06371-1757

-MAP:..... 8
-BLOCK:..... 11
-LOT:..... 1

-ZONE:..... LI-80
-LATITUDE:..... 41° 17' 46.55" N
-LONGITUDE:..... 72° 18' 01.73" W
-ELEVATION:..... 38± AMSL
-FEMA FIRM DESIGNATION:..... ZONE C'
-ACREAGE:..... 2.53Ac

THIS DOCUMENT IS THE CREATION, DESIGN, PROPERTY AND COPYRIGHTED WORK OF T-MOBILE NORTHEAST LLC ANY DUPLICATION OR USE WITHOUT EXPRESS WRITTEN CONSENT IS STRICTLY PROHIBITED. DUPLICATION AND USE BY GOVERNMENT AGENCIES FOR THE PURPOSES OF CONDUCTING THEIR LAWFULLY AUTHORIZED REGULATORY AND ADMINISTRATIVE FUNCTIONS IS SPECIFICALLY ALLOWED.

DEVELOPMENT & MANAGEMENT DOCUMENTS

AMTRAK OLD LYME 2
61-1 BUTTONBALL ROAD
OLD LYME, CT 06371-1757

DESIGN TYPE:
RAW LAND

REVISIONS:
REV.0: 02/14/11: FOR REVIEW: SMC
REV.1: 03/16/11: FOR CSC: SMC
REV.2:
REV.3:
REV.4:

TITLE SHEET AND INDEX

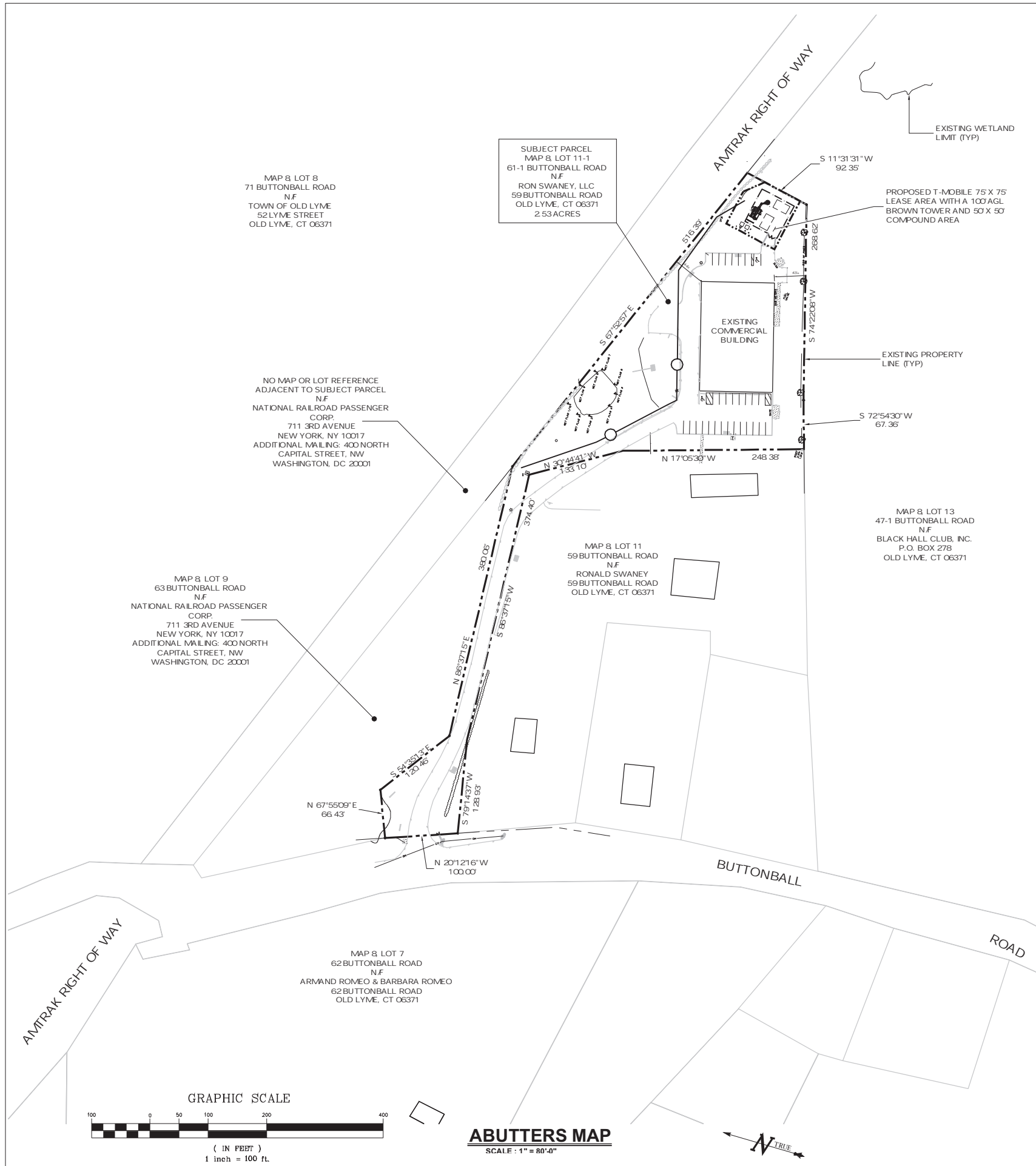
APT FILING NUMBER: CT-2557-380
APT DRAWING NUMBER: CTNL801A A-1.DWG

DRAWN BY: RCB
CHECKED BY: SMC
SCALE: AS NOTED
DATE: 02/14/11

SHEET NUMBER:

T-1

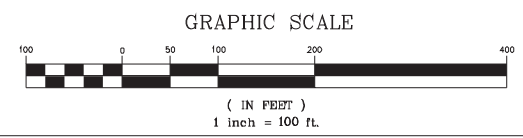




CONSTRUCTION SEQUENCING

- CONTRACTOR TO FOLLOW THE FOLLOWING CONSTRUCTION PHASING AS CLOSELY AS POSSIBLE:
1. MOBILIZATION: BRING MATERIAL AND EQUIPMENT TO SITE. ALL CONSTRUCTION TRAFFIC AND ACTIVITIES MUST RESIDE INSIDE ACCESS PATH DELINEATED, WITHIN STAGING AND STOCKPILE AREA, OR WITHIN AREA WHERE PROPOSED WORK IS BEING COMPLETED. THE CONTRACTOR IS TO PROTECT WETLANDS FROM DISTURBANCE AT ALL TIMES AND NO CONSTRUCTION ACTIVITIES OR DUMPING SHALL OCCUR IN THE WETLANDS.
 2. INSTALL TEMPORARY EROSION AND SEDIMENTATION CONTROL BARRIERS.
 3. CONSTRUCT NEW DRIVEWAY.
 4. EXCAVATE/REMOVE FILL AND REFUSE & STOCKPILE FOR REUSE. PLACE STRUCTURAL FILL TO REESTABLISH SUBGRADES TO UNDERSIDE OF FOUNDATION ELEVATION.
 5. CLEAR AND ROUGH GRADE THE PROPOSED EQUIPMENT COMPOUND.
 6. EXCAVATE FOR TOWER FOUNDATION, EQUIPMENT SLAB, AND UTILITIES.
 7. INSTALL FORMS, STEEL REINFORCING, AND CONCRETE FOR TOWER FOUNDATION AND EQUIPMENT SLAB.
 8. INSTALL BURIED GROUND RINGS, GROUND RODS, GROUND LEADS, UTILITY CONDUITS, AND UTILITY EQUIPMENT.
 9. BACKFILL FOUNDATIONS AND UTILITY TRENCHES.
 10. ERECT MONOPOLE.
 11. INSTALL TELECOMMUNICATIONS EQUIPMENT ON TOWER AND IN COMPOUND.
 12. INSTALL COMPOUND GRAVEL SURFACES.
 13. INSTALL FENCING.
 14. CONNECT GROUNDING LEADS AND LIGHTENING PROTECTION.
 15. FINAL GRADE AROUND COMPOUND.
 16. INSTALL LANDSCAPING AND MULCH, AS REQUIRED.
 17. LOAM AND SEED DISTURBED AREAS OUTSIDE COMPOUND, AS REQUIRED.
 18. REMOVE SILT FENCING AFTER SEEDED AREAS HAVE ESTABLISHED VEGETATION.
 19. FINAL CLEANUP AND EQUIPMENT TESTING.
- THE ESTIMATED TIME FOR COMPLETION OF THE WORK IS APPROXIMATELY FOUR (4) WEEKS. THE EXACT PROCESS MAY VARY DEPENDING ON THE CONTRACTOR'S AND SUBCONTRACTORS AVAILABILITY TO COMPLETE WORK AND WEATHER DELAYS.

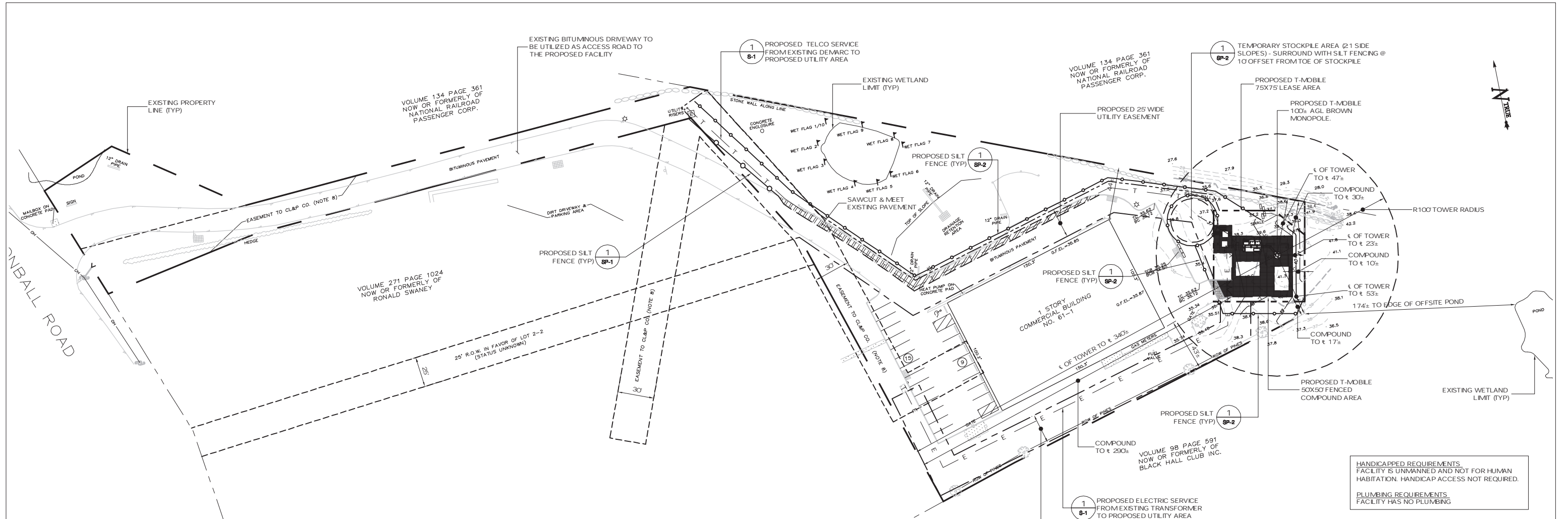
SITE AREAS & VOLUMES OF EARTHWORK
SITEWORK SHALL ENTAIL 388 CUBIC YARDS OF CUT MATERIAL AND 203 CUBIC YARDS OF FILL. APPROXIMATELY 50 CUBIC YARDS OF CRUSHED STONE SHALL BE BORROWED TO COMPLETE THE ENTRANCE ROAD AND COMPOUND.
WORK AREA SLOPES: EXISTING - 15% PROPOSED - 8%
TOTAL AREA OF DISTURBANCE = 9,500 ± SF
STORMWATER VELOCITY: PRIOR TO GROUND COVER = 2.5 FT/SEC FOLLOWING GROUND COVER = 2.0 FT/SEC
GROUND COVER TO BE ESTABLISHED AS FOLLOWS: - WHITE CLOVER @ 0.20#/1000SF - TALL FESCUE @ 0.45#/1000SF - RYEGRASS @ 0.10#/1000SF



ABUTTERS MAP
 SCALE: 1" = 80'-0"

THIS DOCUMENT IS THE CREATION, DESIGN, PROPERTY AND COPYRIGHTED WORK OF T-MOBILE NORTHEAST LLC. ANY DUPLICATION OR USE WITHOUT EXPRESS WRITTEN CONSENT IS STRICTLY PROHIBITED. DUPLICATION AND USE BY GOVERNMENT AGENCIES FOR THE PURPOSES OF CONDUCTING THEIR LAWFULLY AUTHORIZED REGULATORY AND ADMINISTRATIVE FUNCTIONS IS SPECIFICALLY ALLOWED.

T-Mobile 35 GRIFFIN ROAD BLOOMFIELD, CT 06002 OFFICE: (860)-692-7100	T-MOBILE SITE NUMBER: CTNL801A APT FILING NUMBER: CT-255T-380	DEVELOPMENT & MANAGEMENT DOCUMENTS AMTRAK OLD LYME 2 61-1 BUTTONBALL ROAD OLD LYME, CT 06371-1757	ABUTTERS MAP & CONSTRUCTION SEQUENCE
	DESIGN TYPE: RAW LAND	APT FILING NUMBER: CT-255T-380 APT DRAWING NUMBER: CTNL801A DRAWN BY: RCB CHECKED BY: SMC	SCALE: AS NOTED DATE: 02/14/11
ALL-POINTS TECHNOLOGY CORPORATION, P.C. 3 SADDLEBROOK DRIVE KILLINGWORTH, CT 06419 PHONE: (860)-663-1697 FAX: (860)-663-0935	REVISIONS: REV. 0: 02/14/11: FOR REVIEW: SMC REV. 1: 03/16/11: FOR CSC: SMC REV. 2: REV. 3: REV. 4:	STATE OF CONNECTICUT PROFESSIONAL ENGINEER No. 18728	



NOTES

1. THIS MAP AND SURVEY HAVE BEEN PREPARED PURSUANT TO THE REGULATIONS OF CONNECTICUT STATE AGENCIES SECTIONS 20-300b-1 THROUGH 20-300b-20 AND THE "STANDARDS FOR SURVEYS AND MAPS IN THE STATE OF CONNECTICUT," AS ADOPTED BY THE CONNECTICUT ASSOCIATION OF LAND SURVEYORS, INC. ON SEPTEMBER 26, 1996.

THE TYPE OF SURVEY PERFORMED AND THE MAPPED FEATURES DEPICTED HEREON ARE IN ACCORDANCE WITH THE REQUIREMENTS OF A PROPERTY SURVEY.

BOUNDARY DETERMINATION CATEGORY: DEPENDENT RESURVEY OF REFERENCE MAP LOT 2-2

HORIZONTAL ACCURACY CLASS: A-2

2. VERTICAL ACCURACY CLASS: T-2. ELEVATIONS REFER TO NATIONAL GEODETIC VERTICAL DATUM 1929. TOPOGRAPHIC INFORMATION IS DEPICTED ONLY FOR A PORTION OF THE PROPERTY.

3. LOT AREA = ± 110,169 SQUARE FEET OR 2.529 ACRES.

4. ALL MONUMENTATION FOUND OR SET ON THE SUBJECT PREMISES IS DEPICTED HEREON.

5. NORTH ARROW AND BEARINGS REFER TO REFERENCE MAP.

6. REFERENCE:

"RECORD SUBDIVISION MAP, PROPERTY OF RONALD AND BARBARA A. SWANEY, BUTTONBALL ROAD, OLD LYME, CT," DATED JUNE 7, 1996, REVISED TO JULY 10, 1996, PREPARED BY HENDRIKS ASSOCIATES, LLC, AND FILED AS MAP NO. 2903 WITH THE OLD LYME TOWN CLERK.

7. DEED REFERENCE: BOOK 344 PAGE 975 OF THE OLD LYME LAND RECORDS.

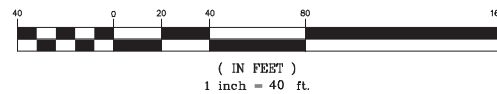
8. THE PROPERTY IS SUBJECT TO AN EASEMENT RECORDED IN BOOK 347, PAGE 853 OF THE OLD LYME LAND RECORDS. IT IS DEPICTED HEREON.

9. PARCEL OWNER OF RECORD: RON SWANEY LLC
59 BUTTONBALL ROAD,
OLD LYME, CT 06371

10. WET LAND FLAGS SET BY VANASSE, HAGEN, BRUSTLIN, INC.

11. APPROXIMATE LOCATION OF POND ON ADJACENT PROPERTY TAKEN FROM AERIAL SOURCES.

GRAPHIC SCALE



LEGEND

	CURB		DRAINAGE INLET / STRUCTURE
	DROP CURB		CATCH BASIN
	WALL		SIGN
	STONE WALL		LIGHT POLE
	EDGE OF PAVEMENT		UTILITY POLE
	OVERHEAD WIRES		STOCKADE FENCE
	STRUCTURE - MANHOLE		CONTOURS
	GAS VALVE		TOP/BOTTOM OF CURB
	WATER VALVE		SPOT ELEVATION
	HANDICAP PARKING		CONCRETE
	PARKING STALL COUNT		GUY WIRE

THIS DOCUMENT IS THE CREATION, DESIGN, PROPERTY AND COPYRIGHTED WORK OF T-MOBILE NORTHEAST LLC. ANY DUPLICATION OR USE WITHOUT EXPRESS WRITTEN CONSENT IS STRICTLY PROHIBITED. DUPLICATION AND USE BY GOVERNMENT AGENCIES FOR THE PURPOSES OF CONDUCTING THEIR LAWFULLY AUTHORIZED REGULATORY AND ADMINISTRATIVE FUNCTIONS IS SPECIFICALLY ALLOWED.

T-Mobile
35 GRIFFIN ROAD
BLOOMFIELD, CT 06002
OFFICE: (860)-692-7100

ALL-POINTS TECHNOLOGY CORPORATION, P.C.
3 SADDLEBROOK DRIVE
KILLINGWORTH, CT 06419
PHONE: (860)-663-1697
FAX: (860)-663-0935

T-MOBILE SITE NUMBER: CTNL801A	DEVELOPMENT & MANAGEMENT DOCUMENTS	SITE PLAN
APT FILING NUMBER: CT-255T-380	AMTRAK OLD LYME 2 61-1 BUTTONBALL ROAD OLD LYME, CT 06371-1757	
DESIGN TYPE:	RAW LAND	
REVISIONS:	REVISIONS:	
	REV.0: 02/14/11: FOR REVIEW: SMC	APT FILING NUMBER: CT-255T-380
	REV.1: 03/16/11: FOR CSC: SMC	APT DRAWING NUMBER: CTNL801A
	REV.2:	DRAWN BY: RCB
	REV.3:	CHECKED BY: SMC
	REV.4:	SCALE: 1"=40'
		DATE: 02/14/11
		SHEET NUMBER:
		SP-1

HANDICAPPED REQUIREMENTS:
FACILITY IS UNMANNED AND NOT FOR HUMAN HABITATION. HANDICAP ACCESS NOT REQUIRED.

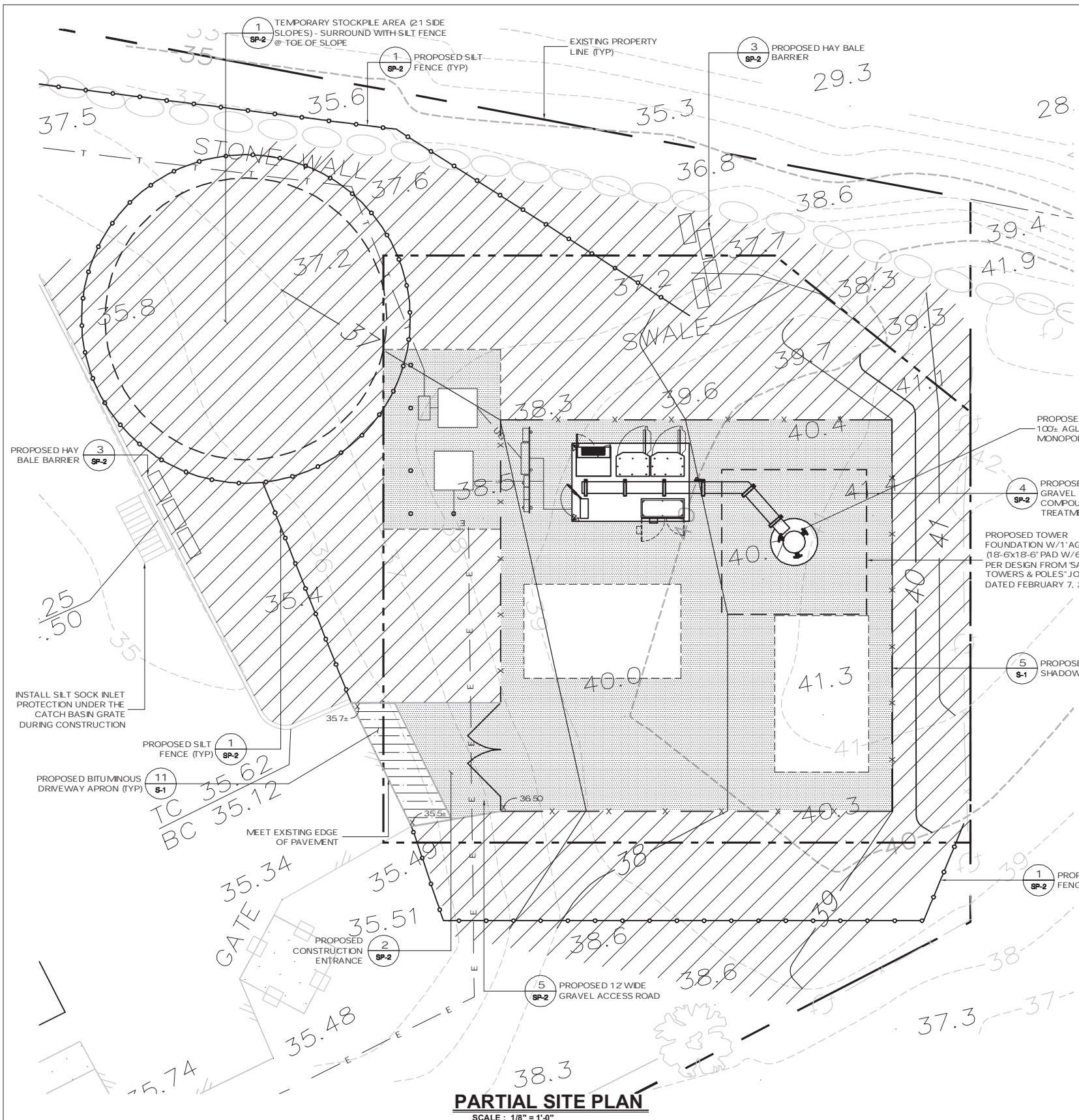
PLUMBING REQUIREMENTS:
FACILITY HAS NO PLUMBING

DRAINAGE NOTE:
THE IMPERVIOUS AREA ON THE SUBJECT PARCEL WILL BE INCREASED BY APPROXIMATELY 0.3%

LAND DISTURBANCE NOTE:
0.21 ACRES (0.14 AC COMPOUND & DRIVEWAY, 0.07 AC UTILITIES) OF LAND WILL BE DISTURBED DURING CONSTRUCTION ACTIVITIES, WHICH IS BELOW THE 0.5 ACRE LIMIT NOTED IN FIGURE 3-1 OF PAGE 3-3 OF THE 2002 CT EROSION AND SEDIMENT CONTROL GUIDELINES.

NOTE: NO TREES WILL BE REMOVED IN CONSTRUCTING THE FACILITY.

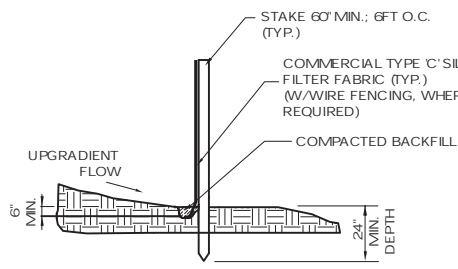




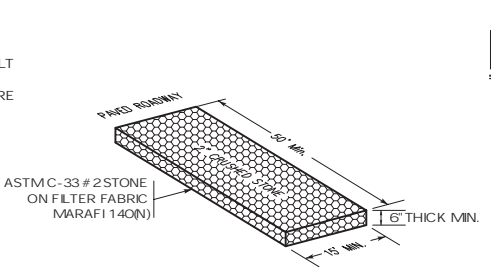
PARTIAL SITE PLAN
SCALE: 1/8" = 1'-0"

NOTE:
THE SITE IS UNDERLAIN BY A SUBSTANTIAL THICKNESS OF FILL, RANGING FROM APPROXIMATELY 8 FEET IN THE AREA OF THE PROPOSED TOWER CENTER TO 13 FEET IMMEDIATELY NORTH OF THE TOWER CENTER. THE FILL MOSTLY CONSISTS OF GRANULAR SOLS. HOWEVER, THE AREA DIRECTLY NORTH OF THE PROPOSED TOWER CENTER ALSO CONSISTS OF REFUSE (LARGE STUMPS, WOOD CHIPS, AND MULCH) BELOW THE GRANULAR FILL. THE FILL IS UNSUITABLE FOR FOUNDATION SUPPORT OF THE TOWER. THE FILL IS ONLY SUITABLE FOR THE SUPPORT OF ANCILLARY STRUCTURES AND EQUIPMENT IF THE UNDERLYING REFUSE IS REMOVED. THEREFORE, THE GRANULAR FILL SHALL BE REMOVED AND STOCKPILED FOR REUSE. THE REFUSE SHOULD THEN BE COMPLETELY REMOVED FROM WITHIN THE FOUNDATION BEARING ZONE OF THE TOWER AND ANCILLARY STRUCTURES. THE FOUNDATION BEARING ZONE IS DEFINED AS THE VOLUME BENEATH 1H1V LINES EXTENDING DOWNWARD AND OUTWARD FROM THE LOWER EDGES OF THE FOOTING AND SLABS-ON-GRADE. COMPACTED STRUCTURAL FILL SHOULD BE USED TO RE-ESTABLISH SUBGRADES TO UNDERSIDE OF THE FOUNDATION

THIS DOCUMENT IS THE CREATION, DESIGN, PROPERTY AND COPYRIGHTED WORK OF T-MOBILE NORTHEAST LLC. ANY DUPLICATION OR USE WITHOUT EXPRESS WRITTEN CONSENT IS STRICTLY PROHIBITED. DUPLICATION AND USE BY GOVERNMENT AGENCIES FOR THE PURPOSES OF CONDUCTING THEIR LAWFULLY AUTHORIZED REGULATORY AND ADMINISTRATIVE FUNCTIONS IS SPECIFICALLY ALLOWED.

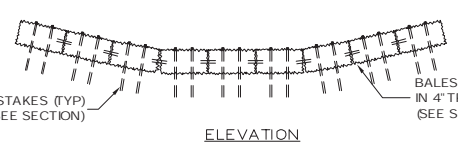
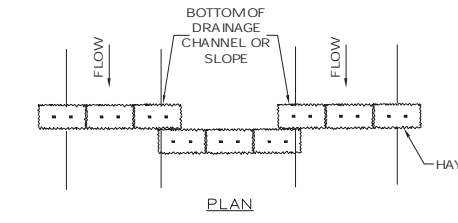


(GSF) GEOTEXTILE SILT FENCE DETAIL
SCALE: NTS

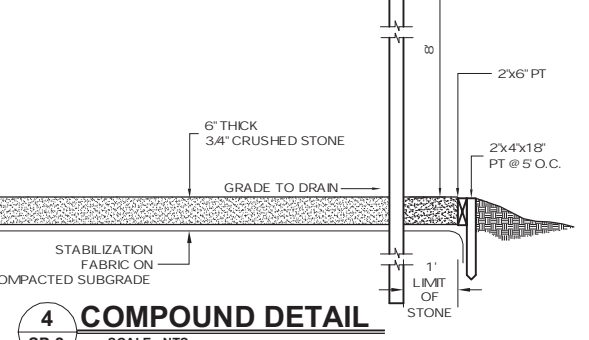
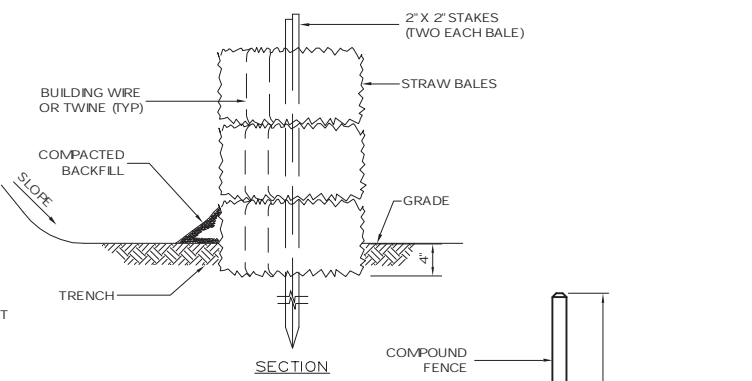


(CE) CONSTRUCTION ENTRANCE DETAIL
SCALE: NTS

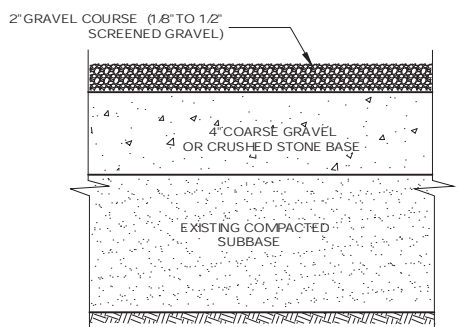
SEED MIX
VEGETATIVE SEEDING - AREA TO BE SEEDED SHALL BE LOOSE AND FRIABLE TO A DEPTH OF 3'. TOPSOIL SHALL BE LOOSENEED BY RAKING OR DISKING BEFORE SEEDING. APPLY 50 LBS OF DOLOMITIC LIMESTONE AND 25 LBS OF 10-10-10 FERTILIZER PER 1000 SF. HARROW LIVE AND FERTILIZER INTO LOOSE SOIL. APPLY COMMON BERMUDA AND RYE GRASS AT 50 LBS/ACRE. USE CYCLONE SEED DRILL CULT/PACKER SEEDER OR HYDROSEEDER (SEED & FERTILIZER SLURRY) FOR STEEP SLOPES. IRRIGATE UNTIL VEGETATION IS COMPLETELY ESTABLISHED.
PERMANENT SLOPE SURFACES SHALL BE VEGETATED OR COVERED WITH RIBRIP STONE UNDERLAIN BY A GEOTEXTILE SEPARATION FABRIC (MARA#1140N, OR EQUIVALENT) TO REDUCE EROSION. VEGETATED SLOPES SHOULD BE PROTECTED WITH EROSION MATS UNTIL VEGETATION IS ESTABLISHED. TEMPORARY SEDIMENTATION AND EROSION CONTROL METHODS SHOULD BE IMPLEMENTED DURING CONSTRUCTION AND LEFT IN PLACE UNTIL THE SLOPE SURFACES HAVE BECOME STABILIZED.



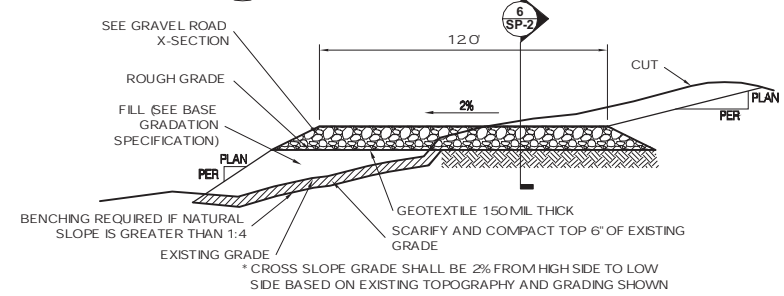
HAY BALE BARRIER
SCALE: NTS



COMPOUND DETAIL
SCALE: NTS



GRAVEL ROAD X-SECTION
SCALE: NTS

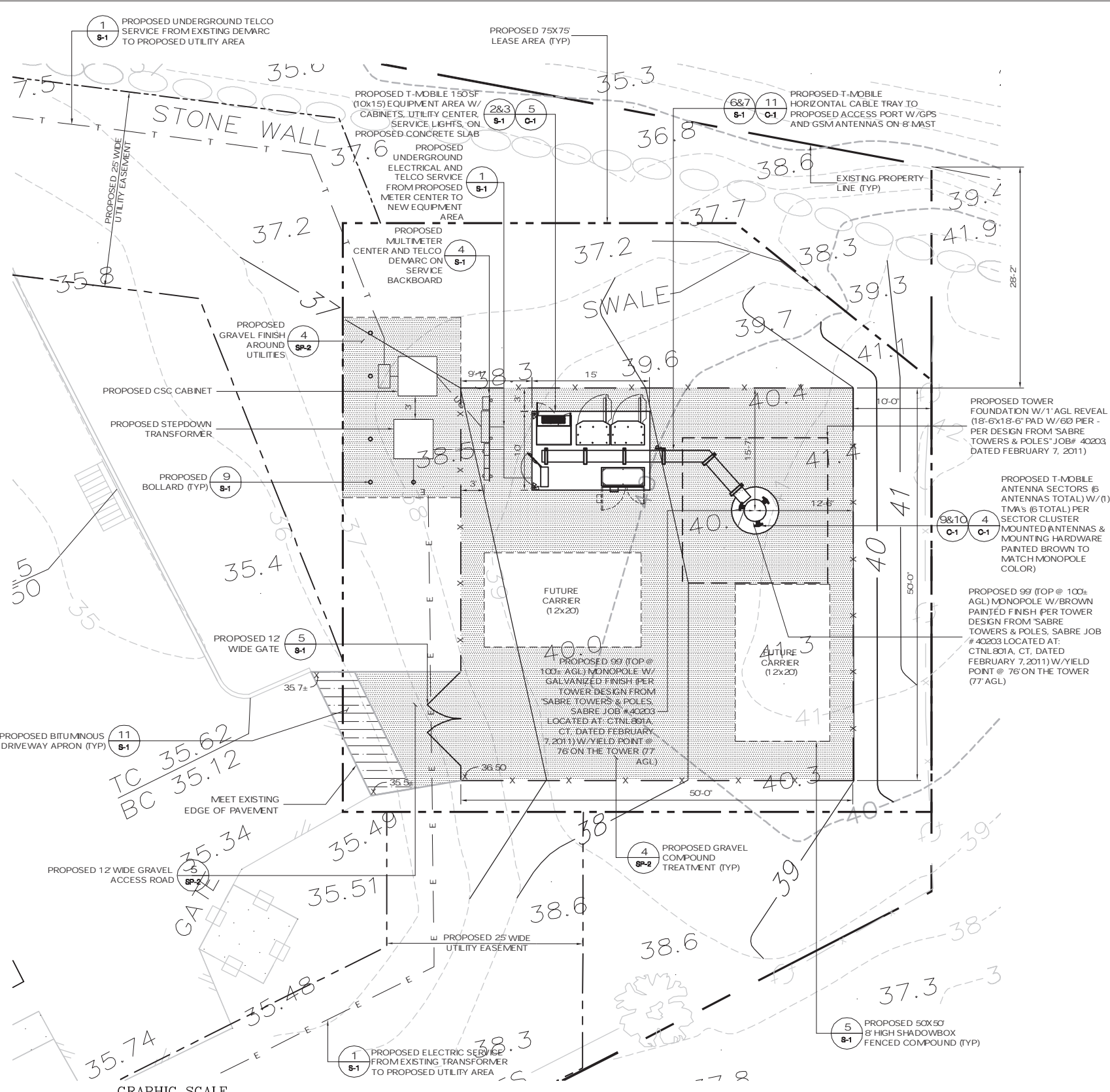


TYPICAL GRAVEL ROAD SECTION
SCALE: NTS

- NOTES:
- SUBBASE MAY CONSIST OF NATIVE MATERIALS IF FOUND ACCEPTABLE BY THE ENGINEER. SUBBASE TO BE COMPACTED TO 95% MAX DRY DENSITY.
 - SUBBASE IS TO CLEAN GRANULAR MATERIAL. (SEE NOTES, SHEET N-1) FREE FROM DEBRIS AND UNSUITABLE MATERIALS.
 - RECYCLED CONCRETE MAY BE SUBSTITUTED FOR GRAVEL OR CRUSHED STONE BASE IN NON-WETLANDS AREAS.

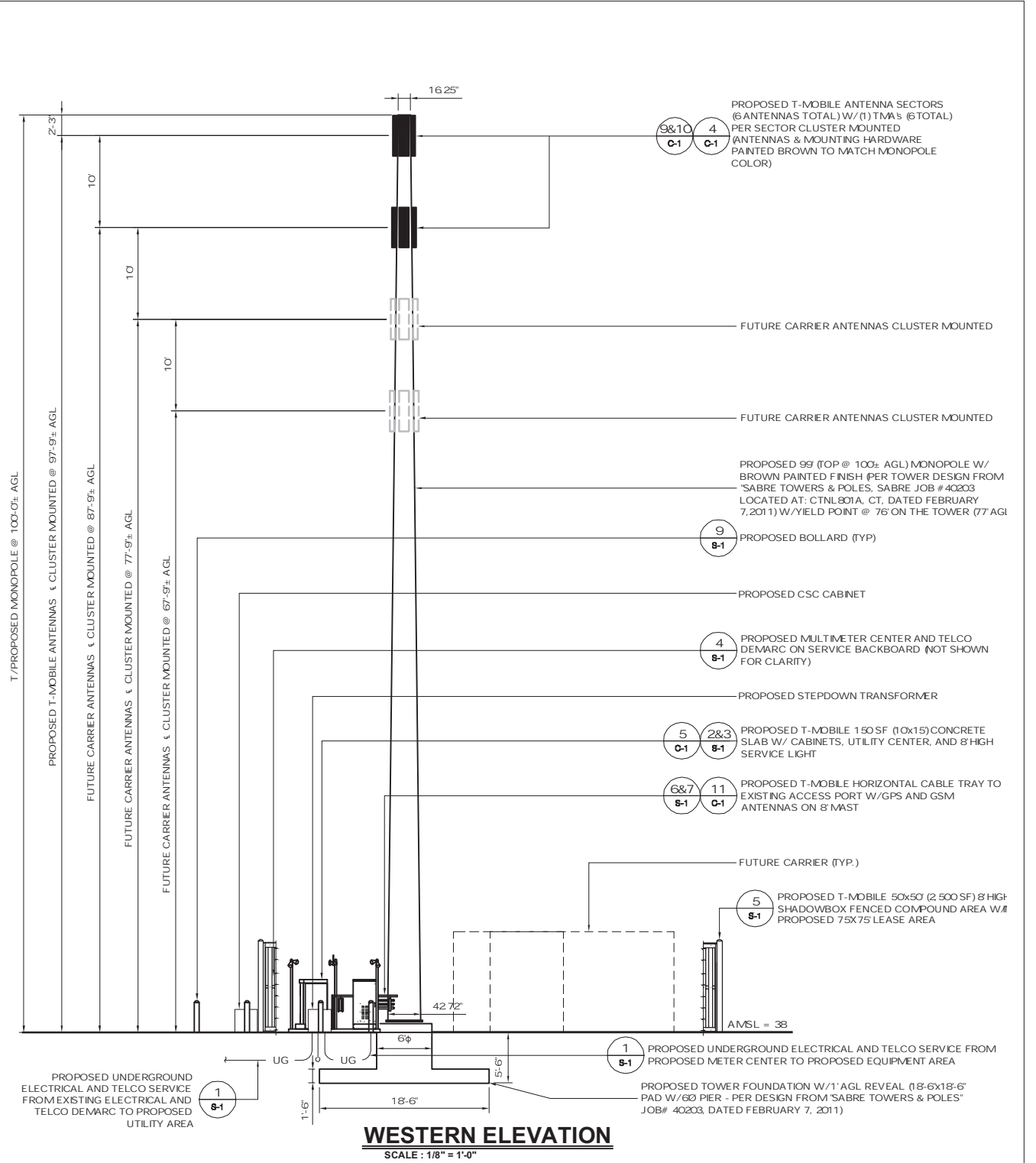
T-Mobile 35 GRIFFIN ROAD BLOOMFIELD, CT 06002 OFFICE: (860)-692-7100	T-MOBILE SITE NUMBER: CTNL801A APT FILING NUMBER: CT-255T-380	DEVELOPMENT & MANAGEMENT DOCUMENTS AMTRAK OLD LYME 2 61-1 BUTTONBALL ROAD OLD LYME, CT 06371-1757	GRADING & EROSION CONTROL PLAN
	ALL-POINTS TECHNOLOGY CORPORATION, P.C. 3 SADDLEBROOK DRIVE KILLINGWORTH, CT 06419 PHONE: (860)-663-1697 FAX: (860)-663-0935	DESIGN TYPE: RAW LAND	APT FILING NUMBER: CT-255T-380 APT DRAWING NUMBER: CTNL801A DRAWN BY: RCB CHECKED BY: SMC



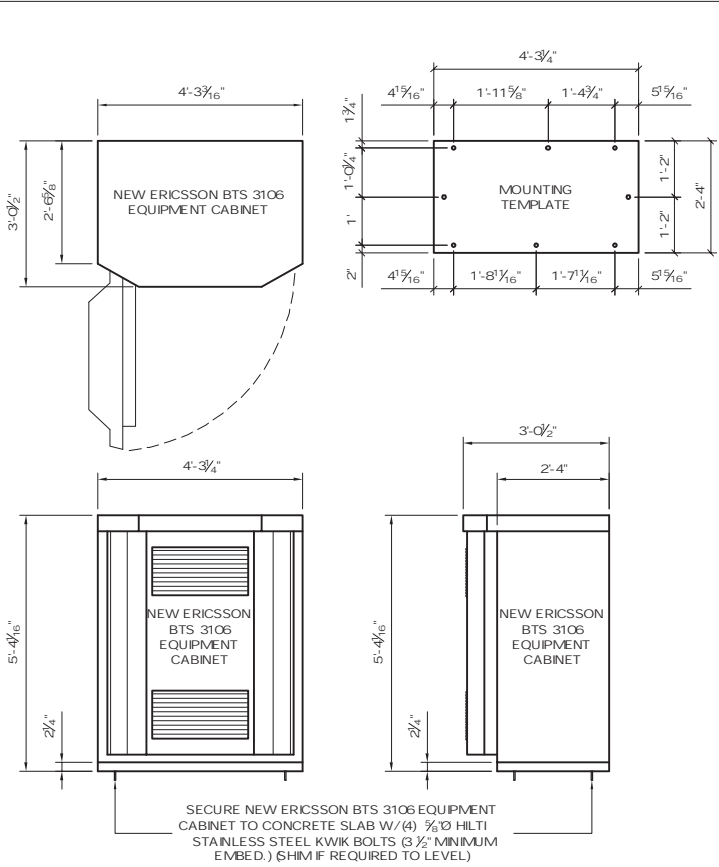


GRAPHIC SCALE
0 4 8 12 16 20 24 28 32
(IN FEET)
1 inch = 8 ft.

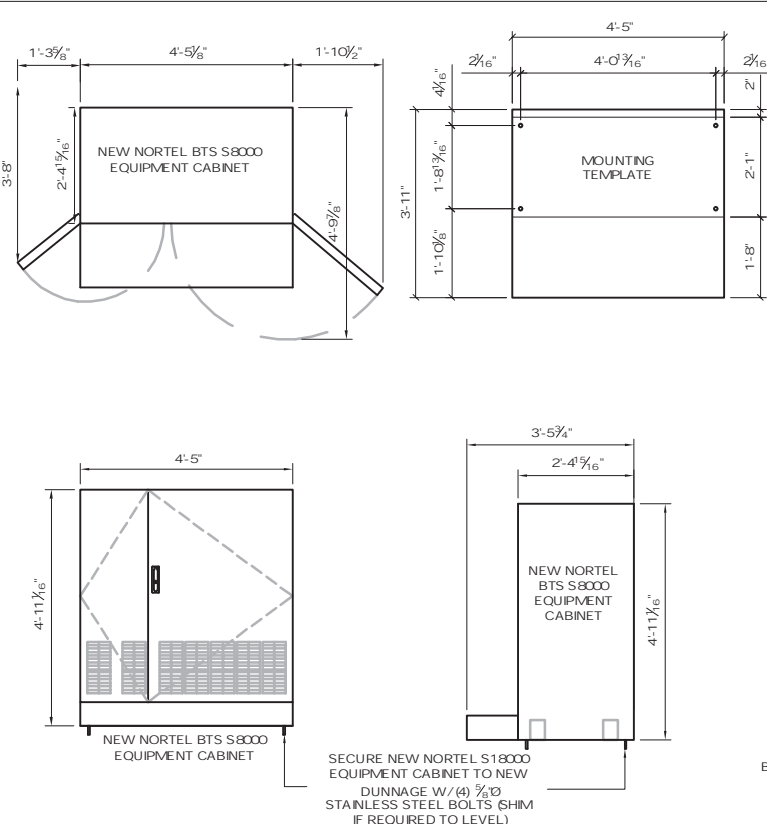
ENGINEERING ANALYSIS AND CERTIFICATION
IN ACCORDANCE WITH THE 2005 CONNECTICUT STATE BUILDING CODE AND THE ELECTRONIC INDUSTRIES ASSOCIATION STANDARD EIA/TIA-222-F STRUCTURAL STANDARDS FOR STEEL ANTENNA TOWERS AND ANTENNA SUPPORT STRUCTURES FOR NEW LONDON COUNTY, THE TOWER WOULD BE DESIGNED TO WITHSTAND PRESSURES EQUIVALENT TO A MAXIMUM 120MPH WIND. THE



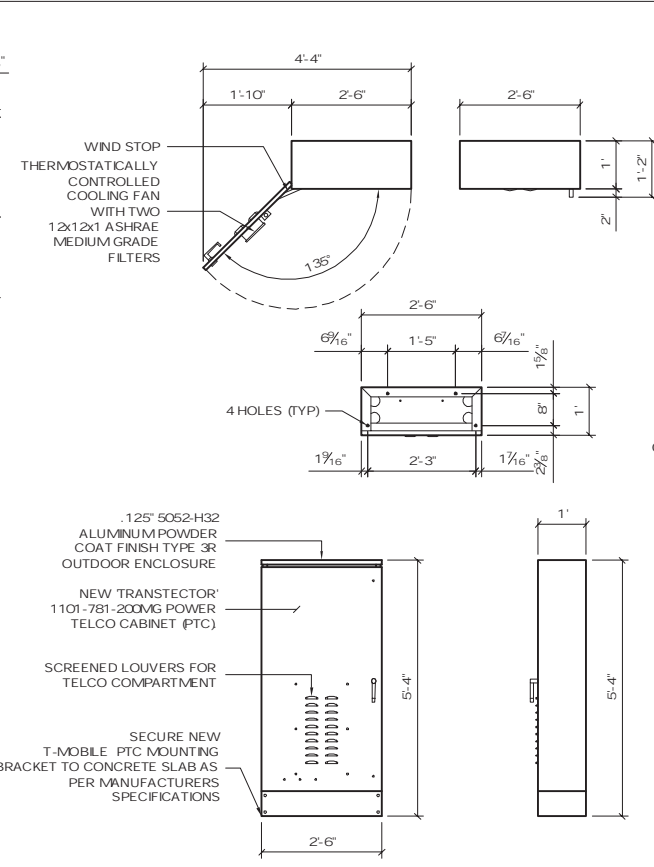
T-Mobile 35 GRIFFIN ROAD BLOOMFIELD, CT 06002 OFFICE: (860)-692-7100	T-MOBILE SITE NUMBER: CTNL801A	DEVELOPMENT & MANAGEMENT DOCUMENTS AMTRAK OLD LYME 2 61-1 BUTTONBALL ROAD OLD LYME, CT 06371-1757	COMPOUND PLAN & TOWER ELEVATION
	APT FILING NUMBER: CT-255T-380	DESIGN TYPE: RAW LAND	APT FILING NUMBER: CT-255T-380 APT DRAWING NUMBER: CTNL801A A-1.DWG
ALL-POINTS TECHNOLOGY CORPORATION, P.C. 3 SADDLEBROOK DRIVE KILLINGWORTH, CT 06419 PHONE: (860)-663-1697 FAX: (860)-663-0935	DRAWN BY: RCB CHECKED BY: SMC	SCALE: AS NOTED DATE: 02/14/11	SHEET NUMBER: A-1
	REV. 0: 02/14/11: FOR REVIEW: SMC REV. 1: 03/16/11: FOR CSC: SMC REV. 3: REV. 4:		
	THIS DOCUMENT IS THE CREATION, DESIGN, PROPERTY AND COPYRIGHTED WORK OF T-MOBILE NORTHEAST LLC. ANY DUPLICATION OR USE WITHOUT EXPRESS WRITTEN CONSENT IS STRICTLY PROHIBITED. DUPLICATION AND USE BY GOVERNMENT AGENCIES FOR THE PURPOSES OF CONDUCTING THEIR LAWFULLY AUTHORIZED REGULATORY AND ADMINISTRATIVE FUNCTIONS IS SPECIFICALLY ALLOWED.		
	DRAWN BY: RCB CHECKED BY: SMC		



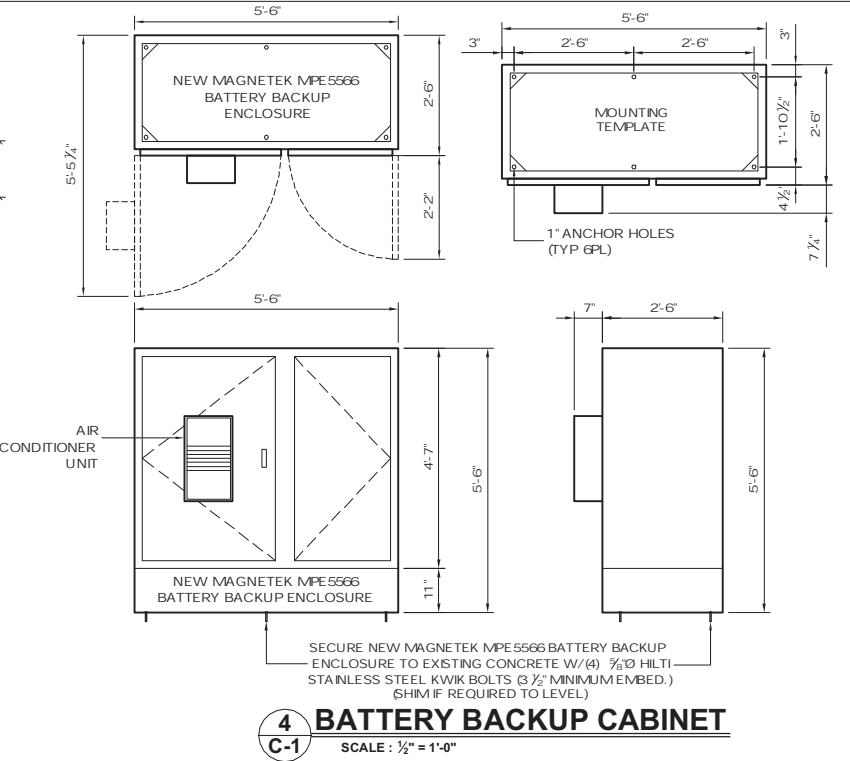
1 ERICSSON RBS 3106 EQUIPMENT CABINET
SCALE: 1/2" = 1'-0"



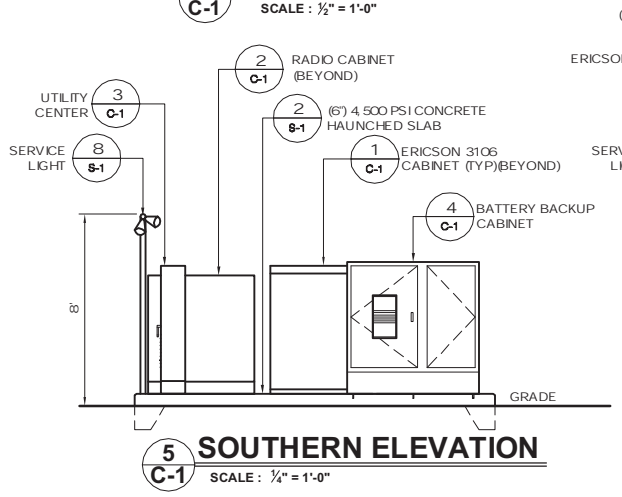
2 NORTEL BTS S1800 EQUIPMENT CABINET
SCALE: 1/2" = 1'-0"



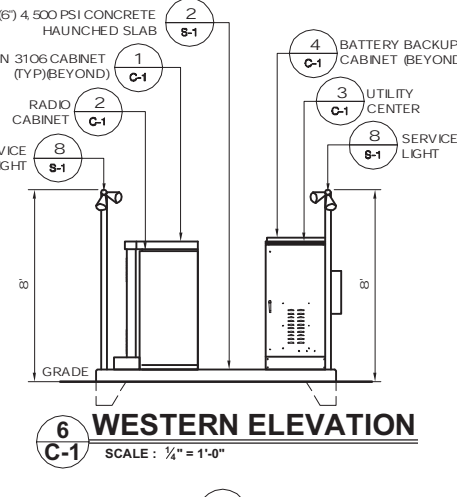
3 TRANSECTOR PTC CABINET
SCALE: 1/2" = 1'-0"



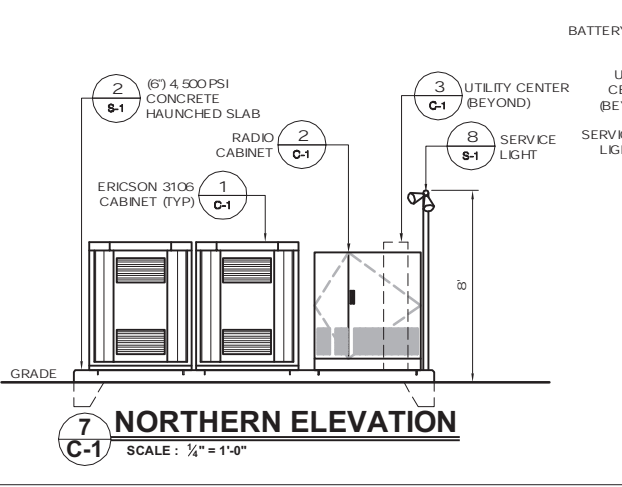
4 BATTERY BACKUP CABINET
SCALE: 1/2" = 1'-0"



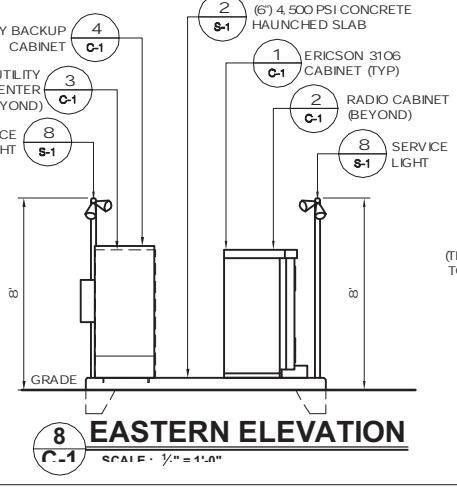
5 SOUTHERN ELEVATION
SCALE: 1/4" = 1'-0"



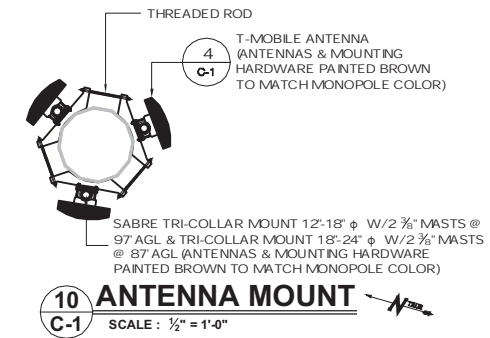
6 WESTERN ELEVATION
SCALE: 1/4" = 1'-0"



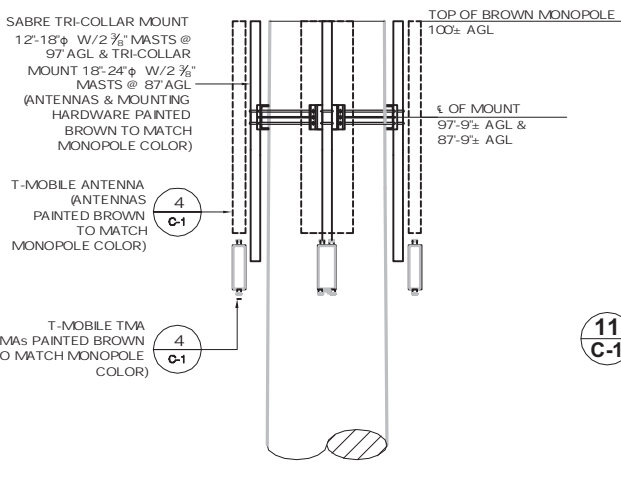
7 NORTHERN ELEVATION
SCALE: 1/4" = 1'-0"



8 EASTERN ELEVATION
SCALE: 1/4" = 1'-0"



10 ANTENNA MOUNT
SCALE: 1/2" = 1'-0"

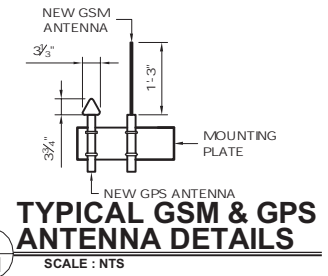


9 ANTENNA MOUNT
SCALE: 1/2" = 1'-0"

DESIGN LOAD CRITERIA

EQUIPMENT SHELTER SHALL BE DESIGNED AND MANUFACTURED TO MEET ALL STATE AND LOCAL CODES. ITS LAYOUT SHALL BE COORDINATED WITH CARRIERS.

DESIGN BASIS	CONNECTICUT STATE BUILDING CODE
GOVERNING CODE	40 PSF (ASCE 7-02)
DESIGN LIVE LOADS	II
IMPORTANCE CATEGORY	
SNOW LOAD:	
GROUND SNOW LOAD (Pg)	30 PSF
IMPORTANCE FACTOR	1.0
EXPOSURE FACTOR (Ce)	0.9
THERMAL FACTOR (Ct)	1.0
WIND LOAD:	
BASIC WIND LOAD	120 MPH (3 SECOND GUST)
EXPOSURE GROUP	C
IMPORTANCE FACTOR	1.00
EQUIPMENT LOAD:	
EQUIPMENT DL	9000 LBS
SEISMIC DESIGN PARAMETERS:	
SEISMIC USE GROUP	II
MCE SPECTRAL ACCELERATION SHORT (Sa)	0.255
MCE SPECTRAL ACCELERATION SHORT (Si)	0.077
SITE CLASS	D FOR UNKNOWN SOIL PROPERTIES
IMPORTANCE FACTOR	1.0



11 TYPICAL GSM & GPS ANTENNA DETAILS
SCALE: NTS

THIS DOCUMENT IS THE CREATION, DESIGN, PROPERTY AND COPYRIGHTED WORK OF T-MOBILE NORTHEAST LLC. ANY DUPLICATION OR USE WITHOUT EXPRESS WRITTEN CONSENT IS STRICTLY PROHIBITED. DUPLICATION AND USE BY GOVERNMENT AGENCIES FOR THE PURPOSES OF CONDUCTING THEIR LAWFULLY AUTHORIZED REGULATORY AND ADMINISTRATIVE FUNCTIONS IS SPECIFICALLY ALLOWED.

T-MOBILE SITE NUMBER:
CTNL801A

APT FILING NUMBER:
CT-255T-380

T-Mobile

35 GRIFFIN ROAD
BLOOMFIELD, CT 06002
OFFICE: (860)-692-7100

ALL-POINTS TECHNOLOGY CORPORATION, P.C.
3 SADDLEBROOK DRIVE
KILLINGWORTH, CT 06419
PHONE: (860)-663-1697
FAX: (860)-663-0935

DEVELOPMENT & MANAGEMENT DOCUMENTS

AMTRAK OLD LYME 2
61-1 BUTTONBALL ROAD
OLD LYME, CT 06371-1757

T-MOBILE EQUIP. PLAN, DETAILS AND SPEC'S

DESIGN TYPE:
RAW LAND

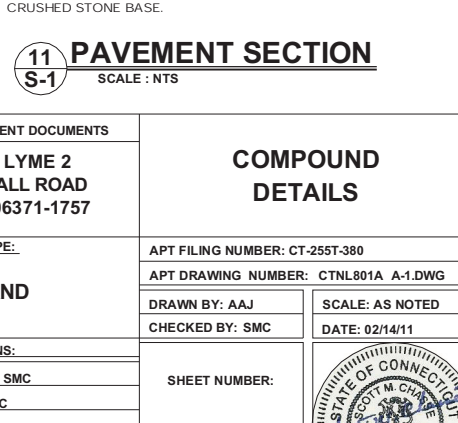
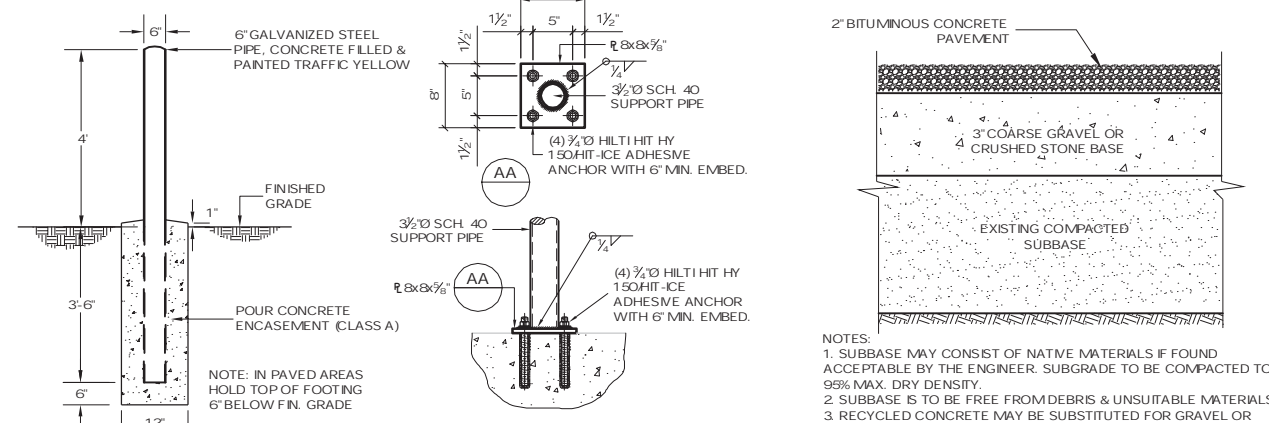
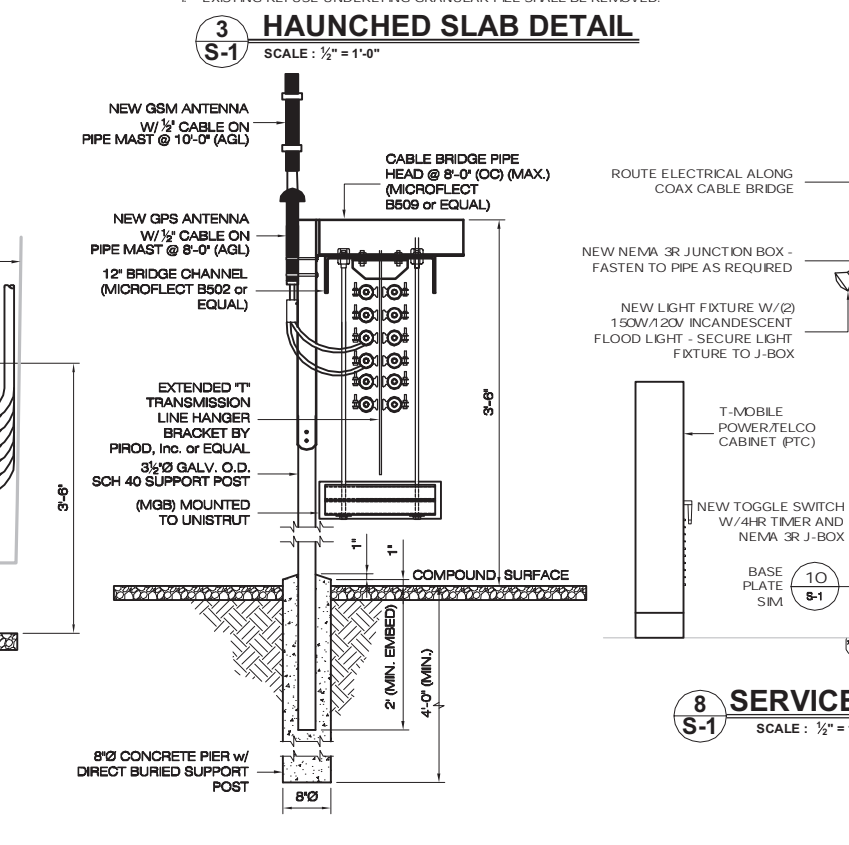
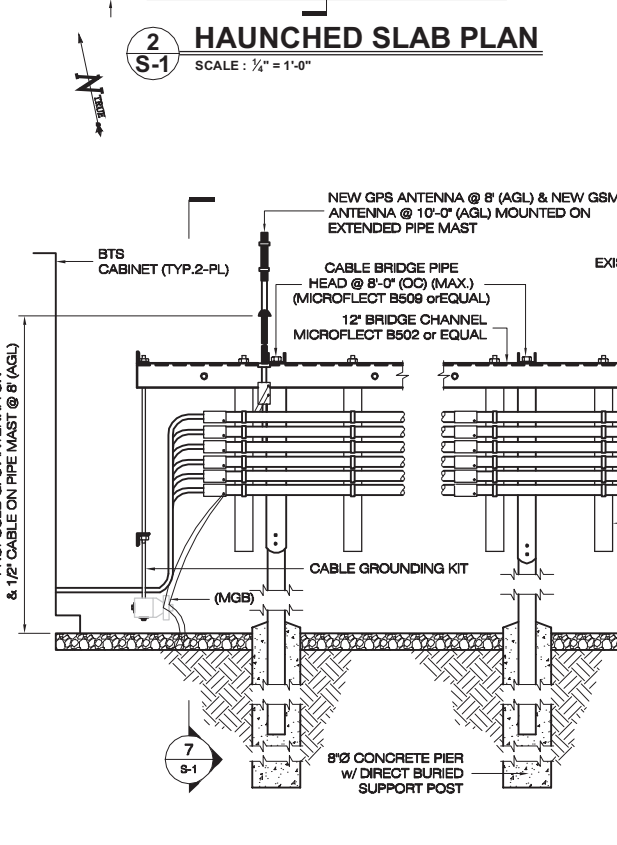
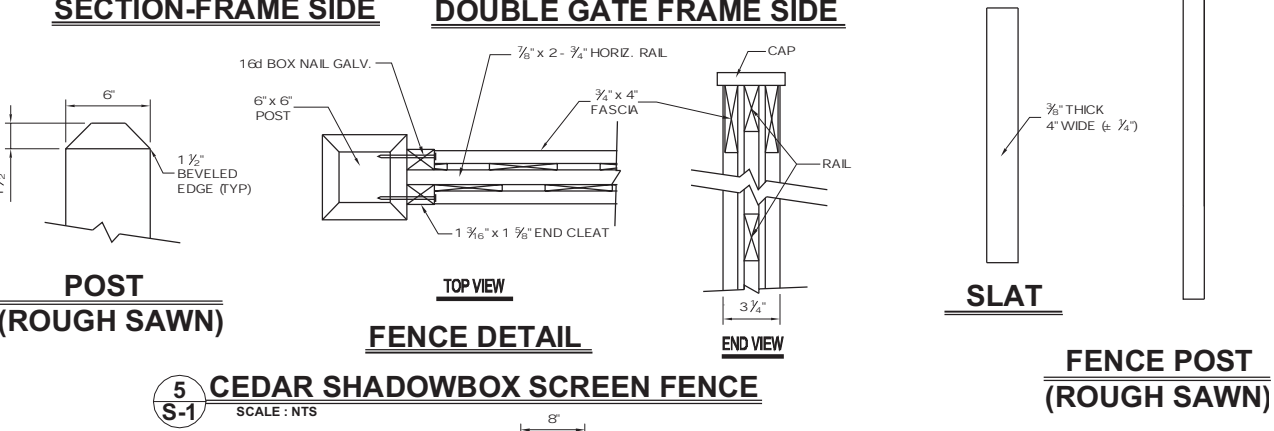
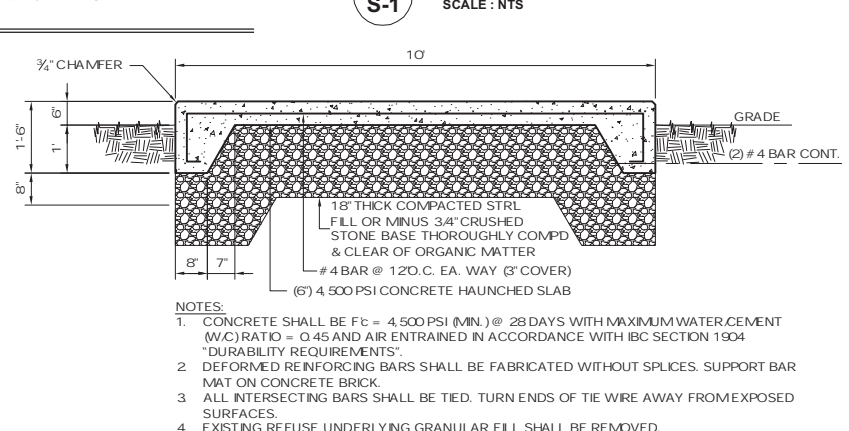
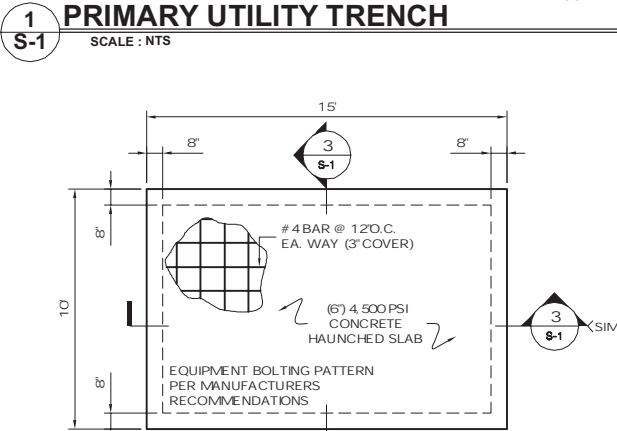
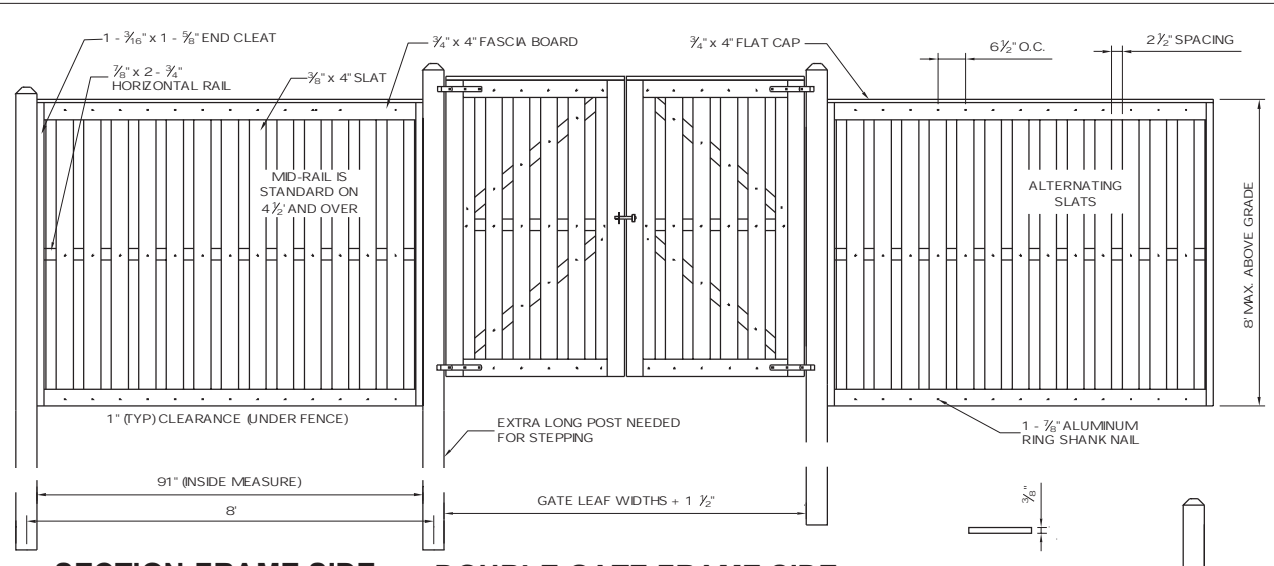
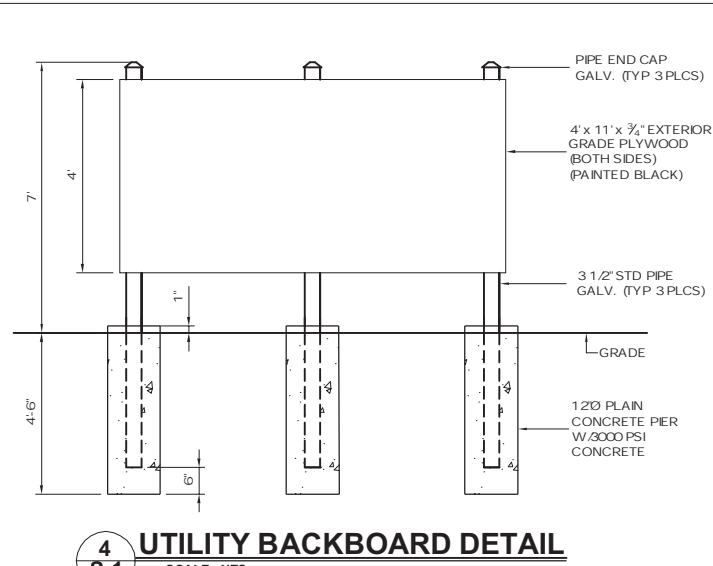
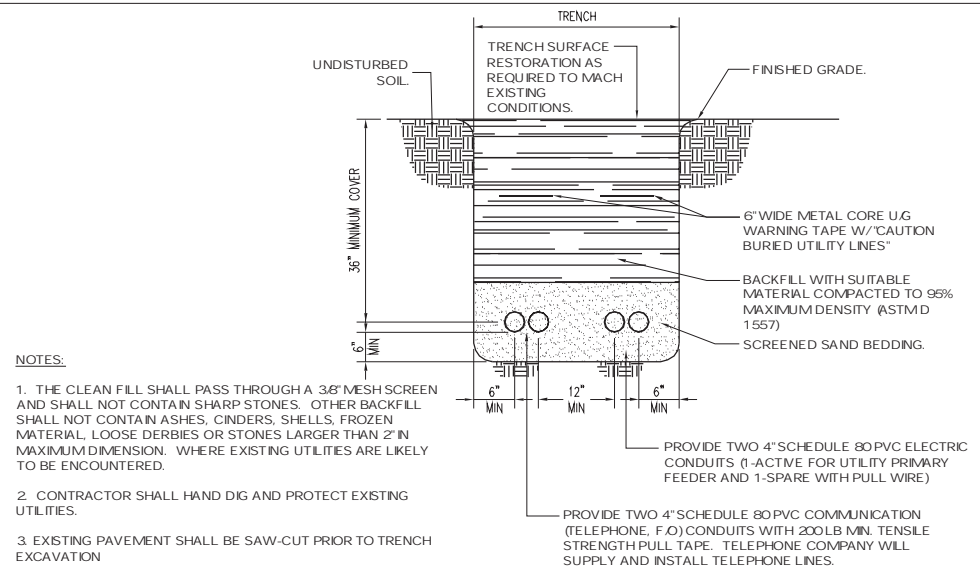
APT FILING NUMBER: CT-255T-380
APT DRAWING NUMBER: CTNL801A C-1.DWG
DRAWN BY: RCB
CHECKED BY: SMC

SCALE: AS NOTED
DATE: 02/14/11

REVISIONS:
REV. 0: 02/14/11: FOR REVIEW: SMC
REV. 1: 03/16/11: FOR CSC: SMC
REV. 2:
REV. 3:
REV. 4:

SHEET NUMBER:
C-1

STATE OF CONNECTICUT
PROFESSIONAL ENGINEER
ROBERT M. CHASE
No. 19728
LICENSED



THIS DOCUMENT IS THE CREATION, DESIGN, PROPERTY AND COPYRIGHTED WORK OF T-MOBILE NORTHEAST LLC. ANY DUPLICATION OR USE WITHOUT EXPRESS WRITTEN CONSENT IS STRICTLY PROHIBITED. DUPLICATION AND USE BY GOVERNMENT AGENCIES FOR THE PURPOSES OF CONDUCTING THEIR LAWFULLY AUTHORIZED REGULATORY AND ADMINISTRATIVE FUNCTIONS IS SPECIFICALLY ALLOWED.

T-Mobile 35 GRIFFIN ROAD BLOOMFIELD, CT 06002 OFFICE: (860)-692-7100	T-MOBILE SITE NUMBER: CTNL801A	DEVELOPMENT & MANAGEMENT DOCUMENTS AMTRAK OLD LYME 2 61-1 BUTTONBALL ROAD OLD LYME, CT 06371-1757	COMPOUND DETAILS	
	APT FILING NUMBER: CT-255T-380	DESIGN TYPE: RAW LAND	APT FILING NUMBER: CT-255T-380 APT DRAWING NUMBER: CTNL801A A-1.DWG	
	T-MOBILE NORTH CORPORATION, P.C. 3 SADDLEBROOK DRIVE KILLINGWORTH, CT 06419 PHONE: (860)-663-1697 FAX: (860)-663-0935	REVISIONS: REV. 0: 02/14/11: FOR REVIEW: SMC REV. 1: 03/16/11: FOR CSC: SMC REV. 2: REV. 3: REV. 4:	DRAWN BY: AAJ CHECKED BY: SMC	SCALE: AS NOTED DATE: 02/14/11
	SHEET NUMBER: S-1	SHEET NUMBER: S-1		

