

National Environmental Policy Act (NEPA) Screening Report



Prepared For:

Florida Tower Partners, LLC
401 N. Cattleman Road, Ste. 305
Sarasota, FL 34232

50 Devine Street

J. Cohn and Sons
50 Devine Street
North Haven, Connecticut 06473

Infinigy Project # 226-003

Site Report Issued: April 2, 2009

Executive Summary

Facility: FTP/50 Devine Street
 50 Devine Street, North Haven, Connecticut
 Infinigy Project #226-003

Infinigy was retained by Florida Tower Partners, LLC to complete an environmental screening of the Federal Communication Commission (FCC) Special Interest Items outlined in 47 CFR 1.1307 (a)(1) through (8). The National Environmental Policy Act (NEPA) Screen Report, (NEPA Screening) contained here within satisfies the Communications Commission (FCC) in 47 CFR 1.1307, and general industry standards.

Infinigy has completed the NEPA Screening for the proposed Florida Tower Partners, LLC project site known as FTP/Devine Street located at 50 Devine Street in North Haven, New Haven County, Connecticut. The Subject Property for the proposed telecommunications facility is situated within an industrial/commercial area. The area surrounding the Subject Property is composed primarily of commercial and industrial uses and limited residential structures. The Subject Property is within a highly urbanized and developed area.

The Subject Property consists of a ±6.0 acre parent parcel of land, specifically, the proposed seventy by seventy foot (70' X 70') compound and surrounding lease area, zoned as General Industrial. Florida Tower Partners initially proposed to install a 150-foot monopole proximate to the eastern boundary of the Subject Property, adjacent to the eastern edge of existing pavement, in an area of known excavation and fill. Subsequent to the initial SHPO and TCNS submissions, the height of the proposed tower was reduced to a 120-foot monopole with all other parameters remaining unchanged. The 120-foot tower will be situated in the center of the 70-foot by 70-foot fenced equipment compound area. The proposed tower and fenced equipment compound are designed to provide space for future carrier's equipment and antenna structures. Access to the telecommunications facility will be from the existing paved parking areas. The proposed access and utility easement consists of a 15-foot wide access area and a 15-foot by 20-foot turn around area.

Based upon the findings of the attached National Environmental Policy Act (NEPA) Checklist, NEPA Summary Report and associated documentation for the above referenced site, it appears that the proposed installation will not adversely impact any of the criteria as outlined in 1.1307(a) items (1) through (8) and preparation of an Environmental Assessment (EA) is not required.

The *Report* was completed according to the terms and conditions authorized by Florida Tower Partners, LLC. There are no intended or unintended third party beneficiaries to this *Report*, unless specifically named. **Infinigy** is an independent contractor, not an employee of either the property owner or the project proponent, and its compensation was not based on the findings or recommendations made in the *Report* or on the closing of any business transaction. Note that the findings of this *Report* are based on the project specifications provided to **Infinigy** and described in this *Report*. In the event that the design or location of the installation changes, please contact **Infinigy** as additional review and/or consultation may be required.

Thank you for the opportunity to prepare this Report, and assist you with this project. Please call us if you have any questions or if we may be of further assistance.

Respectfully Submitted,

Daniel Schweigard
Author/Environmental Scientist

Deborah M. Osterhoudt
Reviewer/Geologist

Appendix A – NEPA Checklist
Appendix B – FCC NEPA Summary Report
Appendix C – Figures, Drawings, and Maps
Appendix D – SHPO Correspondence
Appendix E – Tribal Correspondence
Appendix F – Land Resources Map
Appendix G – US, State and Local Government Correspondence
Appendix H – FEMA Floodplain and Wetland Maps
Appendix I – USGS Soil Survey Map

Appendix A
NEPA Checklist

NEPA Land Use Screening Checklist

Infinigy Engineering	Site Type: <input checked="" type="checkbox"/> Raw Land <input type="checkbox"/> Tower Collocation <input type="checkbox"/> Other Collocation <input type="checkbox"/> Tower Replacement	Site ID: FTP/North Haven Site Address: 50 Devine Street North Haven, Connecticut				
FCC NEPA Category	Consulting Agency Contact	NP Reference Document	<i>Check appropriate boxes below</i>			
			No Adverse Impact	Potential Adverse Impact	Exempt form Review	NPA Applies
Designated Wilderness Areas	National Park Service US Forest Service Bureau of Land Management (BLM)	Section 3.4.1	X	<input type="checkbox"/>	<input type="checkbox"/>	<input type="checkbox"/>
Designated Wildlife Preserves	National Park Service US Forest Service BLM	Section 3.4.1	X	<input type="checkbox"/>	<input type="checkbox"/>	<input type="checkbox"/>
Threatened or Endangered Species & Critical Habitats	US Fish & Wildlife Service – Field Office (USFWS)	Section 3.4.2	X	<input type="checkbox"/>	<input type="checkbox"/>	<input type="checkbox"/>
Historic Places	State Historic Preservation Officer (SHPO) Tribal Historic Preservation Officer (THPO)	Section 3.4.3	X SHPO Consultation Completed	<input type="checkbox"/>	<input type="checkbox"/>	Collocation Agreement applies: <input type="checkbox"/> Nationwide Agreement Exclusion applies: <input type="checkbox"/>
Indian Religious Sites	American Indian Tribes Bureau of Indian Affairs	Section 3.4.5	X Tribal Consultation Completed	<input type="checkbox"/>	<input type="checkbox"/>	Collocation Agreement applies: <input type="checkbox"/> Nationwide Agreement Exclusion applies: <input type="checkbox"/>
Floodplain	Federal Emergency Management Agency (FEMA)	Section 3.4.7	X	<input type="checkbox"/>	<input type="checkbox"/>	<input type="checkbox"/>
Wetland & Surface Waterways	USFWS NWI Maps US Army Corps of Engineers (ACOE)	Section 3.4.8	X	<input type="checkbox"/>	<input type="checkbox"/>	<input type="checkbox"/>

Signature: _____ Company: _____
 Print Name: _____ Date: _____

APPENDIX B

FCC NEPA SUMMARY REPORT

FCC NEPA Summary Report

(47 CFR Subpart I, Chapter I, Sections 1.1301 – 1.1319)

NATIONAL ENVIRONMENTAL POLICY ACT (NEPA)

The National Environmental Policy Act (NEPA) of 1969, the basic national charter for protection of the environment, requires all Federal agencies to incorporate environmental considerations into the decision making process. As a licensing agency, the Federal Communications Agency (FCC) requires all of its licensees, such as wireless communication service provider facilities, to review the potential environmental consequences of their proposed actions. The FCC's regulations for implementing NEPA are found at Title 47 of the Code of Federal Regulations, Part 1, Subpart I, rule sections 1.1301 to 1.1319.

The FCC NEPA regulations define specific situations under §1.1306 that “categorically exclude” certain undertakings from “environmental processing” all actions except those actions specifically identified and defined under §1.1307. Therefore, it is understood that if a proposed facility project site does not and of the listed categories identified in §1.1307, the project is deemed to have *No Significant Impact* and no submission or further action with regard to the FCC is required. However, it is recommended that the client maintain copies of the documentation supporting the finding of No Significant Impact in the event that the information is requested by the FCC (§1.13079).

For applications where it is determined the proposed project may have a significant impact as defined under §1.1308, The FCC's NEPA regulations require license applicants to prepare an Environmental Assessment (EA) and file the EA with the FCC for review by the FCC Enforcement Division. If, after consulting with all appropriate agencies, the Enforcement Division determines that the proposed project will have significant impact upon the environment, the licensee is given the opportunity to mitigate the environmental effects and amend its original application. If the Environmental Division agrees that the mitigation measures taken eliminate the negative environmental impacts they will issue a Finding of No Significant Impact (FONSI) and approve the application.

If the Enforcement Division determines a FONSI is not applicable the applicant must prepare an Environmental Impact Statement (EIS) under §1.1304.

Pursuant to the FCC's regulations, the NEPA Screening prepared by *Infinigy* provides a determination of whether the proposed telecommunications facility will have a significant impact on the environment and therefore be categorically excluded from further environmental processing or review.

Under FCC NEPA regulation §1.1307, an Environmental Assessment must be prepared for any project site that meets one of the following listed conditions:

- Facility is located in an officially designated wilderness area
- Facility is located in an officially designated wildlife preserve
- Facilities that will likely affect listed, threatened or endangered species or designated critical habitats; are likely to jeopardize the continued existence of any proposed threatened or endangered species or designated critical habitats or likely to result in the destruction or adverse modification or proposed critical habitats as defined within the Endangered Species Act of 1973.
- Facilities that may affect districts, sites, buildings or other structures that are considered significant in American history, architecture, archaeology, and engineering or culture that are listed or are eligible for listing in the National Register of Historic Places.

- Facilities that may affect religious Indian religious sites.
- Facilities located within a flood plain.
- Facilities that involve significant changes in surface features.
- Antenna towers equipped with high intensity white lights that are located within a residential neighborhood.
- Facilities that may result in human exposure to radiofrequency radiation in excess of the applicable safety standards (§1.1307).

This NEPA Screening Report has been prepared for the proposed telecommunications facility known as FTP/North Haven and is a summary of the actions *Infinigy* undertook to ensure that the proposed FTP telecommunications facility would not significantly impact any of the FCC NEPA items referenced above.

PROJECT SUMMARY

Infinigy has completed the NEPA Screening for the proposed Florida Tower Partners, LLC project site known as FTP/Devine Street located at 50 Devine Street in North Haven, New Haven County, Connecticut. The Subject Property for the proposed telecommunications facility is situated within an industrial/commercial area. The area surrounding the Subject Property is composed primarily of commercial and industrial uses and limited residential structures. The Subject Property is within a highly urbanized and developed area.

The Subject Property consists of a ±6.0 acre parent parcel of land, specifically, the proposed seventy by seventy foot (70' X 70') compound and surrounding lease area, zoned as General Industrial. Florida Tower Partners proposes to install a 120-foot monopole proximate to the eastern boundary of the Subject Property, adjacent to the eastern edge of existing pavement, in an area of known excavation and fill. The tower will be situated in the center of the 70-foot by 70-foot fenced equipment compound area. The proposed tower and fenced equipment compound are designed to provide space for future carrier's equipment and antenna structures. Access to the telecommunications facility will be from the existing paved parking areas. The proposed access and utility easement consists of a 15-foot wide access area and a 15-foot by 20-foot turn around area.

SUMMARY OF FINDINGS

§1.1307 (a) (1) OFFICIALLY DESIGNATED WILDERNESS AREA

According to a review of the Land Resources Map (Appendix F) and the Department of Agriculture's list of wilderness areas (<http://www.wilderness.net/index.cfm?fuse=NWPS>), the Project Site is not located in an officially designated wilderness area. In addition, according to *Infinigy's* review of available on-line resources, the Project Site is not located in a National Park (www.nps.gov/gis, NPS Interactive Map Center), a designated Scenic and Wild River (<http://www.rivers.gov/wildriverslist.html>), a land area managed by the Bureau of Land Management (www.blm.gov/nhp/facts/index.htm), or within ¼ mile of a National Scenic Trail as identified by the National Park Service (http://www.nps.gov/ncrc/programs/nts/nts_trails.html).

It is the opinion of *Infinigy* that the proposed project will have no significant impact with regard to this FCC NEPA regulatory item.

§1.1307 (a) (2) OFFICIALLY DESIGNATED WILDLIFE PRESERVE

According to a review of the Department of Interior, Department of Fish and Wildlife Service's *Wildlife Refuge Profile Page for Connecticut*, the Project Site is not located in an officially designated wildlife preserve. In addition, according to *Infinigy's* review of available on-line resources, the Project Site is not located in a United States Fish and Wildlife Service National Wildlife Refuge (<http://www.fws.gov/refuges/profiles/index.cfm?id=53546>).

It is the opinion of *Infinigy* that the proposed project will have no significant impact with regard to this FCC NEPA regulatory item.

§1.1307 (a) (3) LISTED, THREATENED OR ENDANGERED SPECIES/DESIGNATED CRITICAL HABITATS

Section 1.1307(a)(3) of the Commission's rules, 47 C.F.R. §1.1307(a)(3), requires applicants, licensees, and tower owners (Applicants) to consider the impact of proposed facilities under the Endangered Species Act (ESA), 16 U.S.C. s. 1531 et seq. Applicants must determine whether any proposed facilities may affect listed, threatened or endangered species or designated critical habitats, or are likely to jeopardize the continued existence of any proposed threatened or endangered species or designated critical habitats. Applicants are also required to notify the FCC and file an environmental assessment if any of these conditions exist.

According to the US Department of Interior Fish and Wildlife Services "*Service Guidance on the Siting, Construction, Operation and Decommissioning of Communications Towers*" the construction of new towers creates a potentially significant impact on migratory birds, especially some 350 species of night-migrating birds. The Guidance document further states that The Migratory Bird Treaty Act (16 U.S.C. 703-712) prohibits the taking, killing, possession, transportation, and importation of migratory birds, their eggs, parts, and nests, except when specifically authorized by the Department of the Interior. While the Act has no provision for allowing unauthorized take, it must be recognized that some birds may be killed at structures such as communications towers even if all reasonable measures to avoid it are implemented. The Service's Division of Law Enforcement carries out its mission to protect migratory birds not only through investigations and enforcement, but also through fostering relationships with individuals and industries that proactively seek to eliminate their impacts on migratory birds. While it is not possible under the Act to absolve individuals or companies from liability if they follow these recommended guidelines, the Division of Law Enforcement and Department of Justice have used enforcement and prosecutorial discretion in the past regarding individuals or companies who have made good faith efforts to avoid the take of migratory birds.

In an effort to streamline the evaluation process and aid in the siting of proposed facilities, the following voluntary guidelines and recommendations were established:

1. Any company/applicant/licensee proposing to construct a new communications tower should be strongly encouraged to co-locate the communications equipment on an existing communication tower or other structure (*e.g.*, billboard, water tower, or building mount). Depending on tower load factors, from 6 to 10 providers may collocate on an existing tower.
2. If collocation is not feasible and a new tower or towers are to be constructed, communications service providers should be strongly encouraged to construct towers no more than 199 feet above ground level (AGL), using construction techniques which do not require guy wires (*e.g.*, use a lattice structure, monopole, etc.). Such towers should be unlighted if Federal Aviation Administration regulations permit.
3. If constructing multiple towers, providers should consider the cumulative impacts of all of those towers to migratory birds and threatened and endangered species as well as the impacts of each individual tower.
4. If at all possible, new towers should be sited within existing “antenna farms” (clusters of towers). Towers should not be sited in or near wetlands, other known bird concentration areas (*e.g.*, state or Federal refuges, staging areas, rookeries), in known migratory or daily movement flyways, or in habitat of threatened or endangered species. Towers should not be sited in areas with a high incidence of fog, mist, and low ceilings.
5. If taller (>199 feet AGL) towers requiring lights for aviation safety must be constructed, the minimum amount of pilot warning and obstruction avoidance lighting required by the FAA should be used. Unless otherwise required by the FAA, only white (preferable) or red strobe lights should be used at night, and these should be the minimum number, minimum intensity, and minimum number of flashes per minute (longest duration between flashes) allowable by the FAA. The use of solid red or pulsating red warning lights at night should be avoided. Current research indicates that solid or pulsating (beacon) red lights attract night-migrating birds at a much higher rate than white strobe lights. Red strobe lights have not yet been studied.
6. Tower designs using guy wires for support which are proposed to be located in known raptor or water bird concentration areas or daily movement routes, or in major diurnal migratory bird movement routes or stopover sites, should have daytime visual markers on the wires to prevent collisions by these diurnally moving species. (For guidance on markers, see *Avian Power Line Interaction Committee (APLIC). 1994. Mitigating Bird Collisions with Power Lines: The State of the Art in 1994. Edison Electric Institute, Washington, D.C., 78 pp.*, and *Avian Power Line Interaction Committee (APLIC). 1996. Suggested Practices for Raptor Protection on Power Lines. Edison Electric Institute/Raptor Research Foundation, Washington, D.C., 128 pp.* Copies can be obtained via the Internet at <http://www.eei.org/resources/pubcat/enviro/>, or by calling 1-800/334-5453).
7. Towers and appendant facilities should be sited, designed and constructed so as to avoid or minimize habitat loss within and adjacent to the tower “footprint”. However, a larger tower footprint is preferable to the use of guy wires in construction. Road access and fencing should be minimized to reduce or prevent habitat fragmentation and disturbance, and to reduce above ground obstacles to birds in flight.
8. If significant numbers of breeding, feeding, or roosting birds are known to habitually use the proposed tower construction area, relocation to an alternate site should be recommended. If this is

not an option, seasonal restrictions on construction may be advisable in order to avoid disturbance during periods of high bird activity.

9. In order to reduce the number of towers needed in the future, providers should be encouraged to design new towers structurally and electrically to accommodate the applicant/licensee's antennas and comparable antennas for at least two additional users (minimum of three users for each tower structure), unless this design would require the addition of lights or guy wires to an otherwise unlighted and/or unguyed tower.
10. Security lighting for on-ground facilities and equipment should be down-shielded to keep light within the boundaries of the site.
11. If a tower is constructed or proposed for construction, Service personnel or researchers from the Communication Tower Working Group should be allowed access to the site to evaluate bird use, conduct dead-bird searches, to place net catchments below the towers but above the ground, and to place radar, Global Positioning System, infrared, thermal imagery, and acoustical monitoring equipment as necessary to assess and verify bird movements and to gain information on the impacts of various tower sizes, configurations, and lighting systems.
12. Towers no longer in use or determined to be obsolete should be removed within 12 months of cessation of use.

According to a letter received from the Department of Interior, Fish and Wildlife Service New England Field Office dated February 23, 2009, applicants are encouraged to review and adhere to the procedures set forth in Endangered Species Consultation Project Review for Projects with Federal Involvement (available on-line at <http://www.fws.gov/northeast/newenglandfieldoffice/EndangeredSpec-Consultation.htm>). The letter further stated:

“Future Coordination with the Office Relative to New Communication Facilities”

We have determined that proposed projects are not likely to adversely impact any federally listed or proposed species when the following steps are taken to evaluate new communication facilities:

1. If the facility will be installed within or on an existing structure, such as in a church steeple or on the roof of an existing building, no further consultation with this office is necessary. Similarly, new antennas or towers in urban and other developed areas, in which no natural vegetation will be affected, do not require further review.
2. If the above criteria cannot be met, your review of our lists of threatened and endangered species locations within Vermont, New Hampshire, Rhode Island, Connecticut and Massachusetts may confirm that no federally-listed endangered or threatened species are known to occur in the town or county where the project is proposed.
3. If a listed species is present in the town or county where the project is proposed, further review of our lists of threatened and endangered species may allow you to conclude that suitable habitat for the species will not be affected. Based upon past experiences, we anticipate that there will be few, if any, projects that are likely to impact piping plovers, roseate terns, bog turtles, Jesup's milk-vetch, or other such species that are found on coastal beaches, riverine habitats or in wetlands because communication towers typically are not located in these habitats.

For projects that meet the above criteria, there is no need to contact this office for further project review. A copy of this letter should be retained in your file as the Service's determination that no listed species are present, or that listed species in the general area will not be affected. Due to the

high workload associated with responding to many individual requests for threatened and endangered species information, we will no longer be providing response letters for activities that meet the above criteria. This correspondence and the species lists remain valid until January 1, 2010. “

Additionally, in a letter dated February 3, 2009 Ms. Dawn M. McKay, a Biologist with the State of Connecticut Department of Environmental Protection stated, “According to our information there are no extant populations of federal or State Endangered, Threatened or Special Concern Species that occur on this property.”

It is the opinion of *Infinigy* that the proposed project will have no significant impact with regard to this FCC NEPA regulatory item.

§1.1307 (a) (4) SECTION 106 CONSULTATION

In 1966, the implementation of the National Historic Preservation Act (NHPA) successfully delegated Section 106 compliance to the individual State Historic Preservation Offices. The NHPA requires Federal agencies to consider the effects of discretionary Undertakings on Historic Properties that are included or eligible for inclusion in the National Register of Historic Places. In March 2005, the FCC adopted the National Programmatic Agreement (NPA) which effectively:

- excludes from Section 106 review certain Undertakings involving the construction and modification of Facilities, and
- streamlines and tailors the Section 106 review process for other Undertakings involving the construction and modification of Facilities.

Undertakings that fall within the Exclusions listed in the NPA III.A through III.F are exempt from Section 106 review by the SHPO/THPO, the FCC and the Council on Environmental Quality (CEQ). Thus, these excluded Undertakings shall not be submitted to the SHPO/THPO for review. Determinations that an exemption applies to an Undertaking and the supporting documentation should be retained by the Applicant. The NPA does not require the use of Secretary of Interior qualified staff to determine whether an exclusion applies.

If, upon review of the Exclusions listed in the NPA the applicant determines that the proposed telecommunication project does not fall within the Exclusion identified in the NPA, the applicant must initiate the Consultation process as set forth in Section 106 through submission of the appropriate FCC Form 620 (New Tower Construction) or FCC Form 621 (Co-location).

Infinigy reviewed the proposed project plans against the Exclusions of the Nationwide Programmatic Agreement Regarding the Section 106 National Historic Preservation Act review process (NPA). *Infinigy* concluded that the proposed tower construction does not meet any of the Exclusions listed in Section III of the NPA. Therefore, consultation with the State of Connecticut Historic Preservation Office (SHPO) was required.

On January 8, 2009, *Infinigy* contracted Heritage Consultants, LLC to perform an evaluation of the proposed Project Site for the likelihood of containing archaeological resources. According to the report prepared by Heritage Consultants dated January 23, 2009, the findings concluded that,

"Due to the degree of disturbances noted within the currently proposed project area, it is highly unlikely that intact cultural remains exist within the Area of Potential Effect. It is the professional opinion of Heritage Consultants, LLC that additional archaeological investigations of the proposed telecommunications tower located at 50 Devine Street in North Haven, Connecticut are not warranted."

Infinigy's submitted project plans, the results of the archaeological survey, and a request for comment

on FCC Form 620 to the Connecticut SHPO on March 10, 2009. In a letter dated March 12, 2009 referencing the “50 Devine Street, North Haven, CT” project, from Mr. David Bahlman, the Deputy State Historic Preservation Officer of the Connecticut Commission on Culture and Tourism the following was stated;

“The State Historic Preservation Office has reviewed the above named project. This office expects that the proposed undertaking will have no effect on historic, architectural, or archeological resources listed on or eligible for the National Register of Historic Places.”.

It is the opinion of *Infinigy* that the proposed project will have no significant impact with regard to this FCC NEPA regulatory item.

In the unlikely event that unanticipated Historic Properties, cultural artifacts, archeological deposits, or human remains are inadvertently encountered during the proposed construction and associated excavation activities, Florida Tower Partners, LLC must halt activities immediately and contact the appropriate local officials and state agencies, in accordance with Federal and State regulations (36 CFR 800.13(b)).

§1.1307 (a) (5) INDIAN RELIGIOUS SITES

Based on the requirements of the Nationwide Programmatic Agreement Regarding the Section 106 National Historic Preservation Act Review Process (NPA), applicants must demonstrate “good faith efforts” to identify and Indian tribe or Native Hawaiian Organization (NHO) that attaches religious or cultural significance to Historic Properties that may be affected by the Undertaking. As stated within the FCC regulations, use the of FCC’s Tower Construction Notification System (TCNS) to initiate consultation with Indian Tribes and NHO’s, “shall constitute a reasonable and good faith effort with respect to ensuring Section 106 compliance *Infinigy* determined that Tribal and NHO Consultation was required for this project because the proposed tower construction did not meet Exclusions A, B, C or F of the NPA.

Infinigy submitted documentation regarding the proposed project to the FCC's Tower Construction Notification System (TCNS). On December 29, 2009 the FCC's TCNS sent the project information to Tribes listed on their database who have indicated that they have a geographic interest in the area of the proposed Project site. Additionally, if required *Infinigy* submitted follow-up requests for comment to each of the Tribes indicated by the TCNS to have a potential interest in the area of the project.

Tribal communication to date for this project is summarized in the following table.

Tribe Name	Initial Notification (via TCNS)	Response to Initial Contact	Second Contact Attempt	Response	Recommended Action
Mashantucket Pequot Tribe	12/29/2008	Interested in Consulting (TCNS Exclusion).	N/A	Letter rec'd 1/30/2009 – No Impact	No Further Action
Sequahna Mars - Narragansett Indian Tribe	12/29/2008	January 3, 2009 – Indicated interest and requested additional information (via TCNS).	Additional Requests via Email provided by Tribe: 01/30/2009 02/16/2009 03/16/2009 03/27/2009	No Response	No Further Action

In the unlikely event that unanticipated Historic Properties, cultural artifacts, archeological deposits, or human remains are inadvertently encountered during the proposed construction and associated excavation activities, Florida Tower Partners must halt activities immediately and contact the appropriate tribal governments, local officials and state agencies, in accordance with Federal and State regulations (36 CFR 800.13(b)).

It is the opinion of *Infinigy* that the proposed project will have no significant impact with regard to this FCC NEPA regulatory item.

Correspondence between *Infinigy* and the Tribes, including copies of the Tower Construction Notification System emails, follow-up correspondence, and Tribal responses are appended to this Report (Appendix E).

§1.1307 (a) (6) FEMA 100 YEAR FLOODPLAIN

Executive Order (EO) 11988 states that “each agency has a responsibility to evaluate the potential effects of any actions it may take in a floodplain; to ensure that its planning programs and budget request reflect consideration of flood hazards and floodplain management”. Furthermore, EO 11988 Section 6 defines a “base flood” and “floodplain” as follows:

- The term "base flood" shall mean that flood which has a one percent or greater chance of occurrence in any given year.
- The term "floodplain" shall mean the lowland and relatively flat areas adjoining inland and coastal waters including flood prone areas of offshore islands, including at a minimum, that area subject to a one percent or greater chance of flooding in any given year.

In compliance with FCC 1.1307, *Infinigy* evaluated the potential that the proposed telecommunication facility would be located within the 100 year flood plain.

FEMA Floodplain Flood Insurance Rate Map data for Community Map #090086 Panel 0005B is attached as Appendix H. The proposed Project Site is located within a 100-year floodplain. A USGS Topographic Map for the proposed project site is included in Appendix C.

It is the opinion of *Infinigy* that the proposed project will be able to utilize standard construction mitigation efforts during completion of the project and therefore the proposed project will have no significant impact with regard to this FCC NEPA regulatory item.

§1.1307 (a) (7) IMPACTS TO SURFACE FEATURES

It is *Infinigy's* opinion that no documented or potential wetlands are located at or within a 100-foot radius of the proposed tower based upon the following facts:

- Limited or no hydric vegetation was observed at the tower site. Additionally, no surface water was observed at the proposed tower site.
- According to a review of the United States Fish and Wildlife National Wetlands Inventory Wetlands Mapper (information available online at http://wetlandsfws.er.usgs.gov/imf/imf.jsp?site=NWI_CONUS), no mapped wetlands are located at or within close proximity to the proposed tower site (Appendix H).
- According to the Natural Resources Conservation Service (NRCS) Web Soil Survey (WSS) website (<http://websoilsurvey.nrcs.usda.gov/app/>) the dominate soil composition in the vicinity of the Project Site is classified as Udorthents-Urban Land Complex (UdU). (Appendix C).

These soils are typically in areas of cut and fill. Where soil material has been removed, the material is typically similar in the subsoil or substratum of adjacent soils. In fill or disposal areas, the soil material has more variable characteristics because it usually consists of varying amounts of material from the subsoil and substratum of nearby soils. Slope is dominantly 2 to 6 inches, although it ranges from 0 to 10 percent.

Typically, the upper part 60 inches is silty clay loam, clay loam or silt loam. Some of the areas on terraces and flood plains have sandy and gravelly material. The available water capacity is variable, but it is dominantly low or very low in the root zone. Permeability is generally slow. The soil is firm and dense. Hard rains tend to seal the soil surface, reducing infiltration and restricting the emergence and growth of seedlings. In most areas, as with the proposed Project Site, these soils are at sites of new construction and many have little to no vegetative cover. Areas with these soils are very well suited for building sites.

The area proposed to be occupied by the Florida Tower Partner's telecommunications compound consists of previously disturbed and graded soils adjacent to an existing asphalt covered parking area. The proposed construction plans do not call for the removal of a significant amount of mature trees; therefore, the proposed installation will not result in deforestation. According to the proposed construction plans and onsite observations, surface water body diversion will not occur.

It is the opinion of *Infinigy* that the proposed project will have no significant impact with regard to this FCC NEPA regulatory item.

§1.1307 (a) (8) HIGH INTENSITY WHITE LIGHTS/RESIDENTIAL ZONING

The Federal Aviation Administration (FAA) requires the use of high intensity lights on towers over 499 feet above ground surface as part of aviation avoidance marking. Towers that are less than 499 feet above ground level are not required to be equipped with high intensity lights.

According to client representatives and site plans, the proposed installation is less than 499 feet above ground level and will not include high intensity white lights or be located in a residential neighborhood.

Based upon the information provided by FTP, it is the opinion of *Infinigy* that the proposed project will have no significant impact with regard to this FCC NEPA regulatory item.

§1.1307 (a) (9) HUMAN RADIO FREQUENCY (RF) EXPOSURE

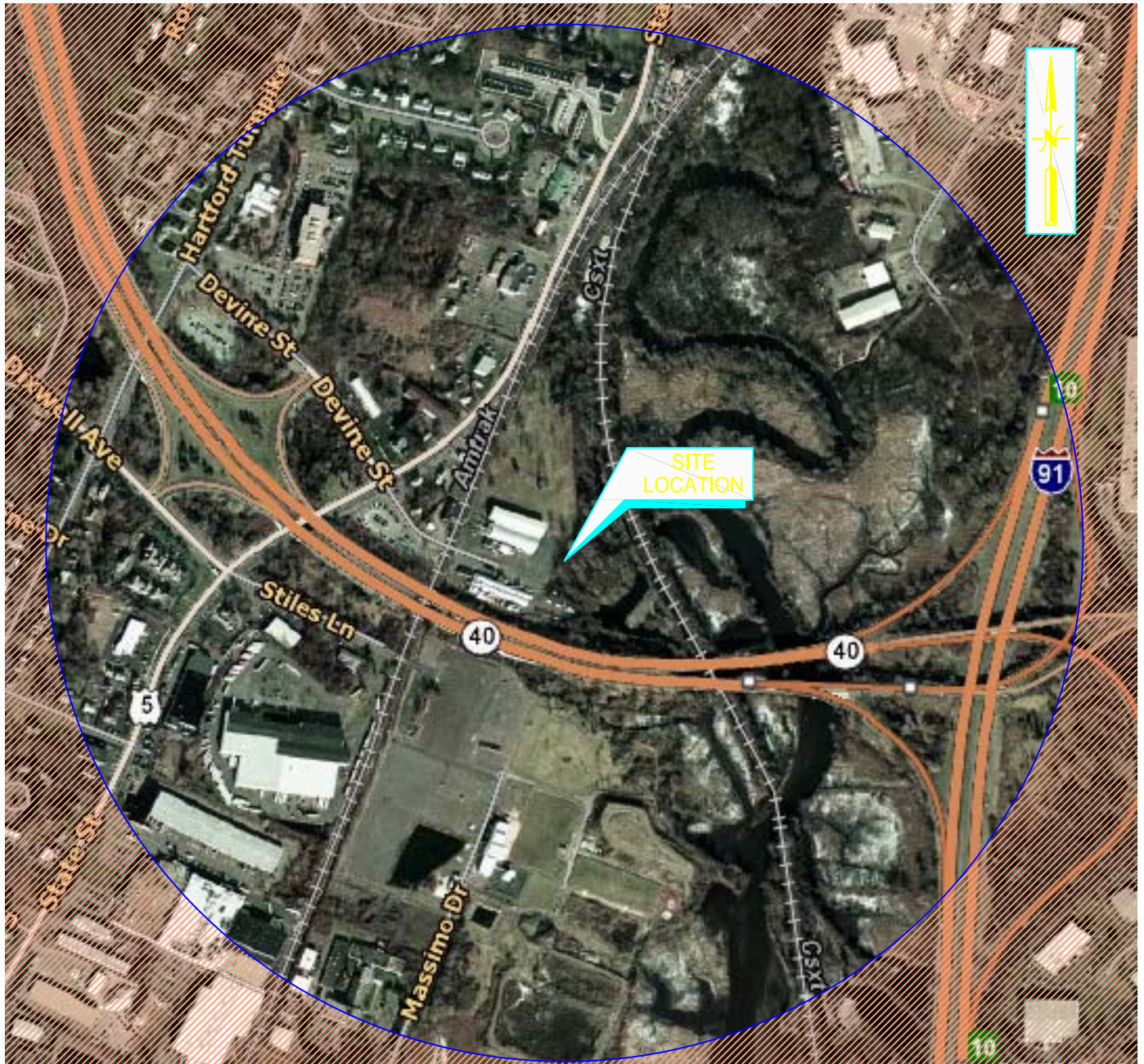
9a. Will the antenna structure equal or exceed total power (of all channels) of 2000 Watts ERP (3280 EIRP) and have antenna located less than 10 meters above the ground?

According to client representatives and site plans, the proposed installation will not include antennas located less than 10 meters above the ground and is therefore categorically excluded from additional RF compliance showings.

Based upon the information provided by FTP, it is the opinion of *Infinigy* that the proposed project will have no significant impact with regard to this FCC NEPA regulatory item.

APPENDIX C

FIGURES, DRAWINGS AND MAPS

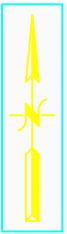
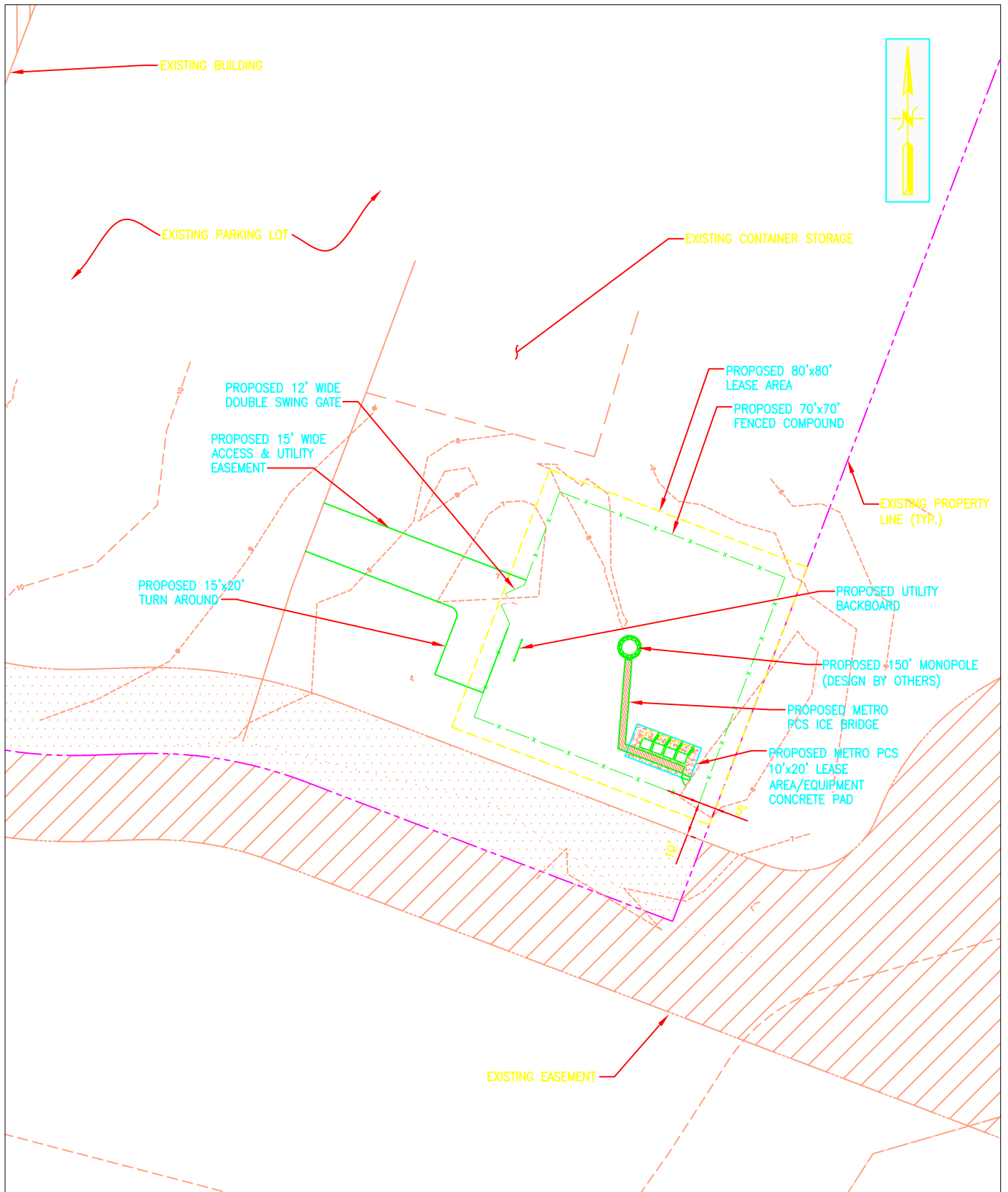


SOURCE: MAP QUEST
QUADRANGLE: Hartford, Conn., N.Y., N.J., MASS.

Figure Number: ____
Project Number: __226-003
Scale: _____ 1" = 800'
Date: _____ 12/30/2008

APE -Area of Potential Effects
Indirect Effects within 1/2 Mile
50 Devine Street
North Haven, CT
Project Sponsor: Florida Tower Partners

infinigy
engineering
& surveying
11 Herbert Drive
Latham, New York 12110
(518) 690-0790



SOURCE: SITE SURVEY
 QUADRANGLE: Hartford, Conn., N.Y., N.J., MASS.

Figure Number: ___
 Project Number: ___226-003
 Scale: _____ 1" = 40'
 Date: _____ 12/30/2008

APE -Area of Potential Effects
 Direct Effects
 50 Devine Street
 North Haven, CT
 Project Sponsor: Florida Tower Partners

infinigy
 engineering
 & surveying
 11 Herbert Drive
 Latham, New York 12110
 (518) 690-0790

PROJECT DESCRIPTION:

CONSTRUCTION OF PUBLIC UTILITY/PERSONAL WIRELESS SERVICE FACILITY CONSISTING OF A MONOPOLE TOWER, (2) PRIMARY EQUIPMENT CABINETS, (2) SECONDARY EQUIPMENT CABINETS, AND A UTILITY BACKBOARD WITHIN A FENCED COMPOUND. NO WATER OR SEWER IS REQUIRED.

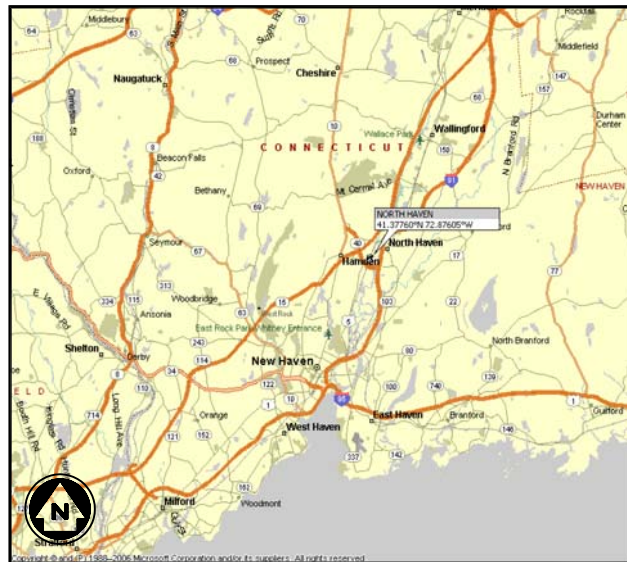
CODE COMPLIANCE:

ALL WORK AND MATERIALS SHALL BE PERFORMED AND INSTALLED IN ACCORDANCE WITH THE CURRENT EDITIONS OF THE FOLLOWING CODES AS ADOPTED BY THE LOCAL GOVERNING AUTHORITIES. NOTHING IN THESE PLANS IS TO BE CONSTRUED TO PERMIT WORK NOT CONFORMING TO THE LATEST EDITIONS OF THE FOLLOWING:

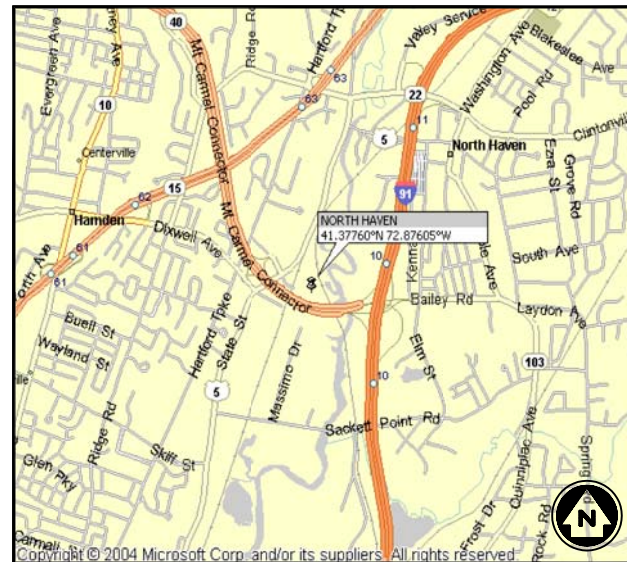
- 1. CT BUILDING CODE
- 2. UNIFORM BUILDING CODE
- 3. BUILDING OFFICIALS AND CODE ADMINISTRATORS (BOCA)
- 4. UNIFORM MECHANICAL CODE
- 5. ANSI/TIA/EIA-222-F
- 6. UNIFORM PLUMBING CODE
- 7. NATIONAL ELECTRIC CODE
- 8. LOCAL BUILDING CODE
- 9. CITY/COUNTY ORDINANCES



NORTH HAVEN
SITE ID: XXXXXXX
50 DEVINE ST.
NORTH HAVEN, CT 06473



VICINITY MAP
N.T.S.



LOCATION MAP
N.T.S.



11 HERBERT DRIVE
 LATHAM, NY 12110
 OFFICE #: (518) 690-0790
 FAX #: (518) 690-0793

PROPOSED TOWER HEIGHT: ±150' AGL
 LATITUDE: 41° 22' 39.36" N
 LONGITUDE: 72° 52' 33.78" W
 ELEVATION: ±8.0' AGL

DIG ALERT:
 CALL FOR UNDERGROUND UTILITIES PRIOR TO DIGGING:
 1-888-922-4455
EMERGENCY:
 CALL 911

NEW HAVEN COUNTY, CONNECTICUT

PROJECT INFORMATION

SITE NAME: NORTH HAVEN
 SITE ADDRESS: 50 DEVINE ST.
 NORTH HAVEN, CT 06473
 ZONING DISTRICT: TOWNSHIP OF NEW HAVEN
 ZONING CLASSIFICATION: IG-80
 PARCEL ID: MAP PARCEL: 51, LOT: 21
 PARENT PARCEL SIZE: 6.037 AC. ±262,960 SQ. FT.
 CONSTRUCTION AREA: ±7,000 SQ. FEET
 LATITUDE: 41° 22' 39.36" N
 LONGITUDE: 72° 52' 33.78" W

PROJECT DIRECTORY

PROPERTY OWNER: LOUIS MONICO
 424 CHAPEL ST
 NORTH HAVEN, CT 06511
 CONTACT: TEL: (203) 772-2420
 APPLICANT: PHOENIX PARTNERSHIP, LLC
 110 WASHINGTON AVE
 NORTH HAVEN, CT 06473
 CONTACT: KEITH COPPINS
 (203) 623-3287
 APPLICANT: METRO PCS NEW YORK, LLC
 5 SKYLINE DRIVE
 HAWTHORNE, NY 10532
 CONTACT: TBD
 (XXX) XXX-XXXX
 ENGINEER: INFINIGY ENGINEERING & SURVEYING, PLLC
 11 HERBERT DRIVE
 LATHAM, NY 12110
 CONTACT: PAUL FANOS
 PHONE: (518) 690-0790

POWER COMPANY: ATLANTIC CITY ELECTRIC

TELCO COMPANY: TBD

DRAWING INDEX

DRWG. #	TITLE	REV.#	DATE
T1	TITLE SHEET	A	03/18/09
Z1	NOTES	A	03/18/09
Z2	OVERALL SITE PLAN	A	03/18/09
Z2A	OVERALL SITE LAYOUT	A	03/18/09
Z3	SITE LAYOUTS	A	03/18/09
Z4	GRADING PLAN	A	03/18/09
Z5	ELEVATION VIEW & DETAILS	A	03/18/09
Z6	DETAILS	A	03/18/09
Z7	PPC DETAILS	A	03/18/09
Z8	DETAILS	A	03/18/09
Z9	DETAILS	A	03/18/09
Z10	FENCE DETAILS	A	03/18/09
Z11	DETAILS	A	03/18/09
Z12	PLANTING DETAILS	A	03/18/09

GENERAL NOTES

- ALL CONSTRUCTION, LABOR AND MATERIAL SHALL COMPLY WITH ALL LOCAL AND STATE BUILDING CODES, ORDINANCES AND TO THE RULES AND REGULATIONS OF ALL AGENCIES HAVING JURISDICTION.
- THE CONTRACTOR MUST VISIT THE SITE AND BE RESPONSIBLE FOR VERIFYING ALL DIMENSIONS AND CONDITIONS. NOTE THAT NORTH ORIENTATION INDICATED ON THE PLANS IS APPROXIMATE & MUST BE VERIFIED. CONTRACTOR SHALL LOCATED TRUE NORTH AND ANTENNA SUPPORTS UTILIZING THE APPROPRIATE U.S.G.S. 7 1/2 MINUTE MAP AND A THEODOLITE. CONTRACTOR SHALL PROVIDE DOCUMENTATION OF COORDINATES AND BEARINGS USED FOR ALIGNMENT. ANY DISCREPANCIES OR CONCERN SHALL BE REPORTED TO THE ARCHITECT BEFORE PROCEEDING WITH ANY WORK, PURCHASE, FABRICATION OR ERECTION OF ANY MATERIAL.
- THE CONTRACTOR SHALL ARRANGE AND PAY FOR ALL PERMITS, APPROVALS, INSPECTIONS AND TESTS REQUIRED BY ALL AGENCIES HAVING JURISDICTION.
- THE CONTRACTOR SHALL PROVIDE ALL ITEMS OF LABOR AND MATERIALS, WHETHER OR NOT SPECIFICALLY INDICATED, IF REQUIRED TO COMPLETE THE INSTALLATION.
- THE CONTRACTOR SHALL BE RESPONSIBLE FOR ADEQUATE BRACING AND PROTECTING OF ALL WORK DURING CONSTRUCTION TO AVOID DAMAGE COLLAPSE, DISTORTION, MISALIGNMENT, VOIDING ROOFING GUARANTEES AND WARRANTIES, ETC. PRODUCTION SHALL BE IN COMPLIANCE WITH ALL APPLICABLE CODES, STANDARDS AND BEST PRACTICES. ROOF SURFACES SHALL BE RESTORED TO COMPLETE WATER TIGHTNESS WITH THE APPROVED MATERIAL AND AS PRE-APPROVED BY THE OWNER IN WRITING.
- ALL MATERIALS SHALL BE INSTALLED AS PER THE MANUFACTURER'S SPECIFICATIONS.
- DO NOT SCALE DRAWINGS.
- THE CONTRACTOR SHALL BEAR FULL RESPONSIBILITY FOR THE MEANS AND METHODS OF CONSTRUCTION THE WORK SHOWN ON THESE PLANS ALL WORK PERFORMED SHALL BE DONE IN A GOOD WORKMANSHIP MANNER TO THE SATISFACTION OF THE OWNER THE CONTRACTOR SHALL TAKE ALL PRECAUTIONARY EFFORTS TO PROTECT THE NEW EQUIPMENT DURING THIS INSTALLATION AND APPLICATION SUCH AS.
 - THE TENANT'S EGRESS TO AND FROM THE BUILDING AND/OR THE SITE.
 - THE BUILDINGS FIRE SAFETY OR SHALL NOT CREATE ANY FIRE HAZARDS.
 - THE STRUCTURAL INTEGRITY AND SAFETY OF THE BUILDING.
 - THERE SHALL NOT BE ANY CREATION OF NOISE OUTSIDE THE NORMAL HOURS OF 7 AM TO 6 PM. UNLESS OTHERWISE AGREED UPON WITH THE OWNER.
 - THE BUILDINGS SECURITY SHALL BE MAINTAINED IN ORDER TO PREVENT ANY UNAUTHORIZED PERSONS. FROM ENTERING THE PREMISES.
 - THE BUILDINGS UTILITY'S (ELECTRICITY,GAS,WATER AND OTHER UTILITIES) SHALL NOT BE INTERRUPTED DURING THIS APPLICATION & INSTALLATION.
 - ALL MASONRY PENETRATIONS SHALL BE DONE USING ROTARY ACTION ONLY (NO HAMMERING ACTION)
 - ALL PENETRATIONS SHALL BE FIRE STOPPED WITH 3M FS 195 WRAP STRIP FIRE STOP AND CP25 NON-SHRINK PUTTY FIRE BARRIER SEALANT. MAINTAIN THE FIRE RATING OF ALL PENETRATED SURFACES.
- THE CONTRACTOR SHALL, AT ALL TIMES, KEEP THE PREMISES FREE FROM ACCUMULATION OF WASTE, CONSTRUCTION MATERIAL AND RUBBISH. UPON COMPLETION, ALL DEBRIS SHALL BE REMOVED AND THE PREMISES LEFT IN A "BROOM CLEAN" CONDITION ALL RUBBISH SHALL BE DISPOSED OF IN A LEGAL MANNER.
- THE CONTRACTOR SHALL COORDINATE ALL SPECIAL CONSIDERATIONS OF THE CONSTRUCTION (EX. NOISY OPERATIONS, INTERRUPTIONS OF ANY MECHANICAL AND/OR ELECTRICAL SERVICES, MATERIAL DELIVERIES AND/OR STORAGE) WITH THE BUILDING OWNER OR MANAGEMENT PRIOR TO THE START OF THE WORK.
- THE CONTRACTOR SHALL PATCH AND REPAIR EXISTING CONDITIONS WHERE DISTURBED BY NEW WORK OR AS REQUIRED BY THE PLANS. ALL EXISTING AREAS OF THE BUILDING DAMAGED BY THE CONTRACTOR SHALL BE RESTORED TO ORIGINAL CONDITION AT NO ADDITIONAL COST TO THE OWNER.

GENERAL NOTES CONTINUED

- ALL ELECTRICAL WORK SHALL BE PERFORMED BY A LICENSED ELECTRICIAN AND CONFORM TO ALL BUILDING CODE AND LOCAL UTILITIES REQUIREMENTS.
- THE GENERAL NOTES CONTAINED HEREIN ARE PART OF THE PLANS AND SPECIFICATIONS AND ARE TO BE COMPLIED WITHIN ALL RESPECTS. THE MOST RESTRICTIVE NOTES SPECIFIED ARE TO TAKE PRECEDENCE.
- THESE DOCUMENTS ARE IN COMPLIANCE & ALL CONSTRUCTION TO BE IN ACCORDANCE WITH THE FOLLOWING CODES & STANDARDS, LATEST EDITINGS:
 - NATIONAL STANDARD PLUMBING CODE
 - NATIONAL ELECTRIC CODE
 - INTERNATIONAL MECHANICAL CODE
 - NFPA, SECTION 13 & 72
 - EIA/TIA-222-F STANDARDS "STRUCTURAL STANDARDS FOR STEEL ANTENNA TOWERS AND SUPPORTING STRUCTURES"
 - THE CONNECTICUT STATE BUILDING CODE.
- ALL PROPOSED STRUCTURAL STEEL SHALL BE FABRICATED AND ERECTED IN ACCORDANCE WITH AISC CODE AND ASTM SPECIFICATIONS, LATEST EDITION. ALL NEW STEEL SHALL:
 - CONFORM WITH TO ASTM A-36
 - ALL STEEL PIPES SHALL CONFORM TO ASTM A-501 OR A-53, GRADE B.
 - CONNECTIONS SHALL MADE USING SPECIFIED WELDS AND WELDING ELECTRODES E-70XX OR SPECIFIED HIGH STRENGTH BOLTS SHALL BE ASTM A325 THREADS ARE EXCLUDED FROM THE SHEAR PLANE.
 - ALL SHOP AND FIELD WELDING SHALL BE DONE BY WELDERS QUALIFIED AS DESCRIBED IN THE "AMERICAN WELDING SOCIETY'S STANDARDS QUALIFICATION PROCEDURE" TO PERFORM THE PROPOSED WORK.
 - BE HOT DIPPED GALVANIZED AFTER FABRICATION (ONLY EXPOSED TO MOISTURE APPLICATIONS) PER ASTM A-123. ALL DAMAGED SURFACES, WELDED AREAS AND AUTHORIZED NON-GALVANIZED MEMBERS OR PARTS (NEW OR OLD) SHALL BE PAINTED WITH TWO (2) COAST OF ZRC COLD GALVANIZING COMPOUND MANUFACTURED BY ZRC CHEMICAL PRODUCTS.
 - ALL PIPES SIZES INDICATED HEREIN ARE NOMINAL DIAMETER (INSIDE DIAMETER).
- ALL EQUIPMENT SHALL BE INSTALLED LEVEL AND PLUMB.
- MATERIALS AND CONDITIONS NOT FABRICATED CORRECTLY, DAMAGED OR NON-CONFORMING SHALL BE REPORTED TO CONSTRUCTION MANAGER, ARCHITECT AND OWNER PRIOR TO ANY CORRECTIVE ACTION ALL ACTIONS REQUIRED APPROVAL FROM THE OWNER.
- METRO PCS SHALL BE RESPONSIBLE FOR EVALUATING LEVELS OF RF EMISSIONS TO DETERMINE CONTROLLED ACCESS LIMITS AND SHALL POST APPROPRIATE SIGNAGE.

STEEL NOTES

- ALL WORK SHALL BE DONE IN ACCORDANCE WITH ALL APPLICABLE FEDERAL, STATE AND LOCAL CODES AND ORDINANCES.
- ALL CONNECTIONS OF STRUCTURAL STEEL MEMBERS SHALL BE MADE USING SPECIFIED WELDS WITH WELDING ELECTRODES E-70XX OR SPECIFIED HIGH STRENGTH BOLTS TO BE ASTM A325, IF APPLICABLE.
- ALL STEEL EXPOSED TO MOISTURE, SHALL BE HOT DIPPED GALVANIZED AFTER FABRICATION PER ASTM A-123. ALL DAMAGED SURFACES, WELDED AREAS AUTHORIZED NON-GALVANIZED MEMBERS OR PARTS (EXISTING OR NEW) SHALL BE PAINTED WITH (2) TWO COATS OF ZRC COLD GALVANIZING COMPOUND MANUFACTURED BY ZRC CHEMICAL PRODUCT CO. QUINCY, MASS OR USE THERMAL SPRAYING WITH PLATTING 85/15 AS MANUFACTURED BY PLATT BROTHERS & COMPANY, WATERBURY, CT.
- CUT AND REMOVE EXISTING ROOF AS REQUIRED TO INSTALL NEW BEARING PLATES, IF APPLICABLE.
- ATTACHMENTS AND BEAM PENETRATIONS AT ROOF MUST BE SEALED WATERTIGHT, IF APPLICABLE.

infinigy
 engineering
 & surveying
 11 Herbert Drive
 Latham, NY 12110
 OFFICE: (518) 690-0790
 FAX: (518) 690-0793

UNAUTHORIZED ALTERATION OR ADDITION TO THIS DOCUMENT IS A VIOLATION OF APPLICABLE STATE AND/OR LOCAL LAWS

No.	Submittal / Revision	App'd	Date

Drawn: EKM Date: 03/18/09
 Designed: AGF Date: 03/18/09
 Checked: S.B Date: 03/18/09

Project Number 226-003

Project Title

NORTH HAVEN

50 DEVINE ST.
NORTH HAVEN, CT 06473

Prepared For

Phoenix Partnership

THIS DOCUMENT IS THE DESIGN PROPERTY AND COPYRIGHT OF INFINIGY ENGINEERING & SURVEYING. IT IS TO BE USED ONLY FOR THE PROJECT AND CLIENT FOR WHICH IT WAS PREPARED. NO REUSE, REPRODUCTION, OR PUBLICATION OR USE WITHOUT EXPRESS WRITTEN CONSENT OF THE CREATOR IS STRICTLY PROHIBITED.

Drawing Scale: AS NOTED

ZD

Date: 03/18/09

Drawing Title

NOTES

Drawing Number

Z1


UNAUTHORIZED ALTERATION OR ADDITION TO THIS DOCUMENT IS A VIOLATION OF APPLICABLE STATE AND/OR LOCAL LAWS

No.	Submitted / Revision	App'd	Date
A	ISSUED FOR REVIEW	EKM	03/18/09

Drawn: EKM Date: 03/18/09
 Designed: AGF Date: 03/18/09
 Checked: S.B Date: 03/18/09

Project Number: 226-003

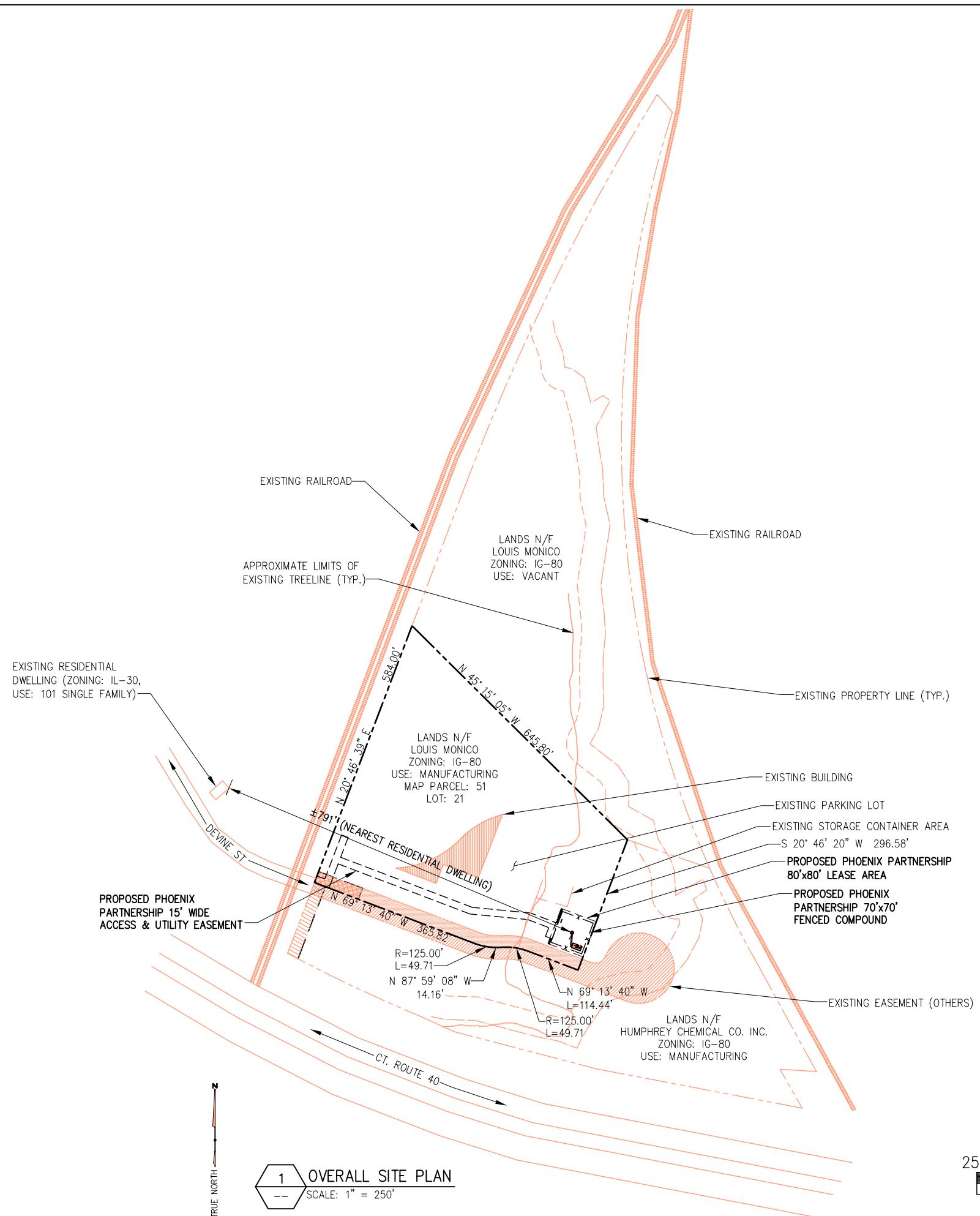
Project Title:
NORTH HAVEN
 50 DEVINE ST.
 NORTH HAVEN, CT 06473

Prepared For:

 THIS DOCUMENT IS THE DESIGN PROPERTY AND COPYRIGHT OF INFINIGY ENGINEERING & SURVEYING. IT IS TO BE USED ONLY FOR THE PROJECT AND CLIENT FOR WHICH IT WAS PREPARED. ANY REUSE, REPRODUCTION, OR PUBLICATION OF THIS DOCUMENT WITHOUT THE EXPRESS WRITTEN CONSENT OF THE CREATOR IS STRICTLY PROHIBITED.

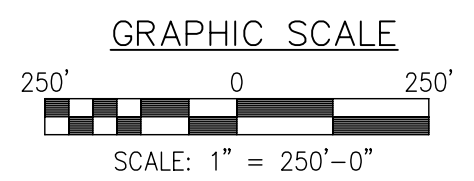
Drawing Scale: AS NOTED
 Date: 03/18/09
ZD

Drawing Title:
OVERALL SITE PLAN

Drawing Number:
Z2



1 OVERALL SITE PLAN
 SCALE: 1" = 250'



BASEMAPPING PREPARED FROM A SITE WALK PERFORMED BY INFINIGY ENGINEERING ON 12/16/08, AND AN SURVEY PERFORMED BY TPA DESIGN GROUP. AND DOES NOT REPRESENT AN ACTUAL FIELD SURVEY

SCHEDULE OF BULK REQUIREMENTS – ACCESSORY STRUCTURES – (IG-80 GENERAL INDUSTRIAL)

	REQUIRED	EXISTING	PROPOSED
MIN. LOT AREA	80,000 SQFT	±262,960 SQFT	NO CHANGE
MIN. LOT WIDTH	200 FT	±296.85 FT	NO CHANGE
MAX. BUILDING COVERAGE %	35%	15.6%	NO CHANGE
FRONT SETBACK	75 FT	±73 FT	±550 FT
REAR SETBACK	75 FT	±267 FT	* ±40 FT
SIDE SETBACK	25 FT	±81 FT	±70 FT
BUILDING HEIGHT	60 FT	±30 FT	NO CHANGE

* = VARIANCE REQUIRED

WIRELESS TELECOMMUNICATION REQUIREMENTS – (SECTION 8.2)

	REQUIRED	PROPOSED
MAX TOWER HEIGHT	150 FT	150 FT
FRONT SETBACK	3/4 TOWER HEIGHT (112')	±550 FT
REAR SETBACK	3/4 TOWER HEIGHT (112')	±40 FT
SIDE SETBACK	3/4 TOWER HEIGHT (112')	±70 FT
CLOSEST TOWER (120' MONOPOLE)	1,500 FT	±5,100 FT

EXISTING RESIDENTIAL DWELLING (ZONING: IL-30, USE: 101 SINGLE FAMILY)

EXISTING RAILROAD

EXISTING BUILDING

EXISTING UTILITY POLE (TYP.)

STORAGE CONTAINER AREA

DEVINE ST

PROPOSED UNDERGROUND POWER & TELCO CONDUITS (TYP.)

PROPOSED PHOENIX PARTNERSHIP 15' WIDE ACCESS & UTILITY EASEMENT

EXISTING EASEMENT (OTHERS)

PROPOSED 150' PHOENIX PARTNERSHIP MONOPOLE (DESIGN BY OTHERS)

PROPOSED PHOENIX PARTNERSHIP 70'x70' FENCED COMPOUND

TRUE NORTH

1 OVERALL LAYOUT
SCALE: 1" = 100'

GRAPHIC SCALE



SCALE: 1" = 100'-0"

BASEMAPPING PREPARED FROM A SITE WALK PERFORMED BY INFINIGY ENGINEERING ON 12/16/08, AND AN SURVEY PERFORMED BY TPA DESIGN GROUP. AND DOES NOT REPRESENT AN ACTUAL FIELD SURVEY

infinigy
engineering & surveying
11 Herbert Drive
Latham, NY 12110
OFFICE: (518) 690-0790
FAX: (518) 690-0793

UNAUTHORIZED ALTERATION OR ADDITION TO THIS DOCUMENT IS A VIOLATION OF APPLICABLE STATE AND/OR LOCAL LAWS

A	ISSUED FOR REVIEW	EKM	03/18/09
No.	Submittal / Revision	App'd	Date

Drawn: EKM Date: 03/18/09

Designed: AGF Date: 03/18/09

Checked: S.B Date: 03/18/09

Project Number 226-003

Project Title

NORTH HAVEN

50 DEVINE ST.
NORTH HAVEN, CT 06473

Prepared For



THIS DOCUMENT IS THE DESIGN PROPERTY AND COPYRIGHT OF INFINIGY ENGINEERING & SURVEYING. IT IS TO BE USED ONLY FOR THE PROJECT AND CLIENT FOR WHICH IT WAS PREPARED. ANY REUSE OR PUBLICATION OR USE WITHOUT EXPRESS WRITTEN CONSENT OF THE CREATOR IS STRICTLY PROHIBITED.

Drawing Scale: AS NOTED

ZD

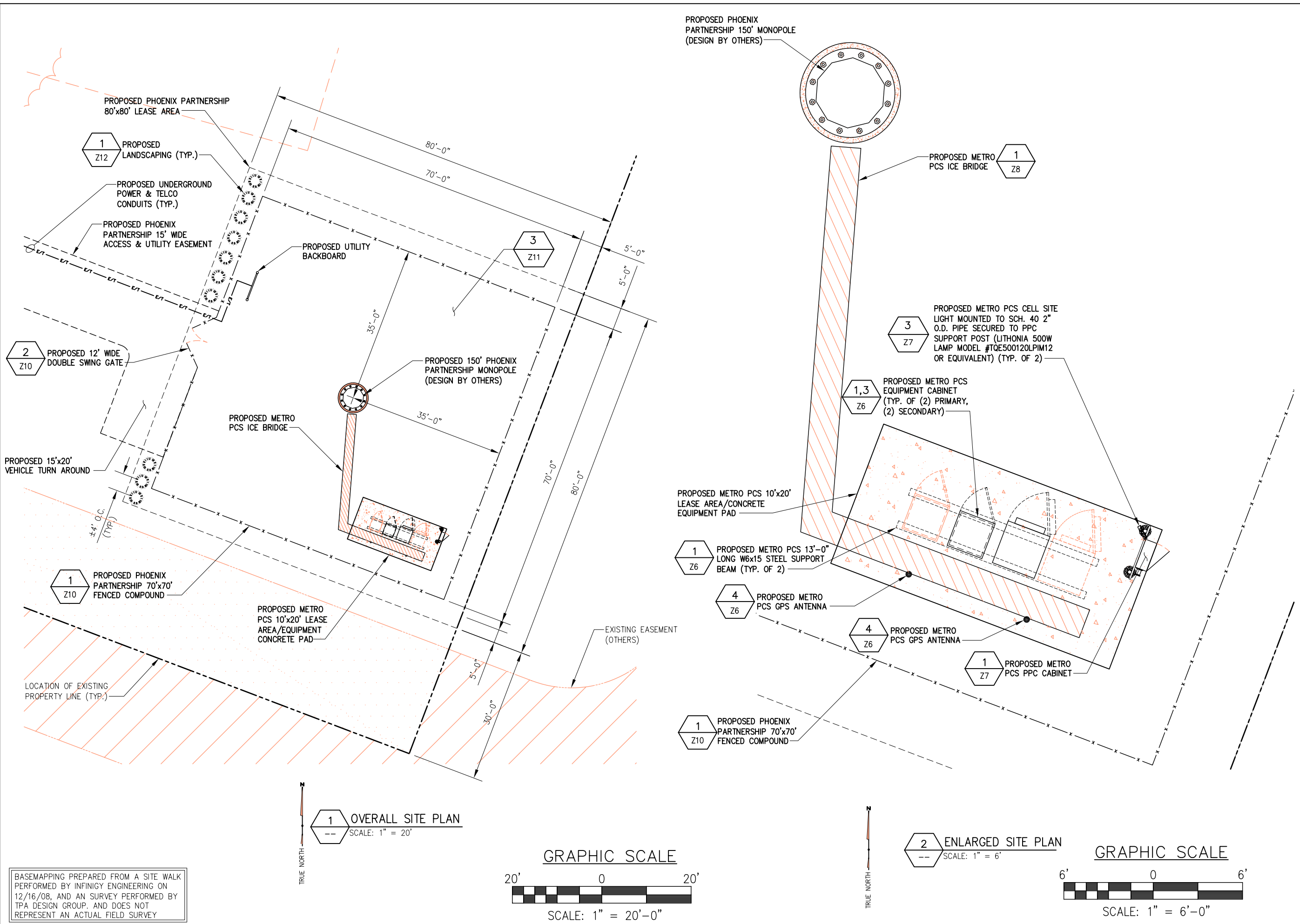
Date: 03/18/09

Drawing Title

OVERALL SITE LAYOUT

Drawing Number

Z2A



PROPOSED PHOENIX PARTNERSHIP 150' MONOPOLE (DESIGN BY OTHERS)

PROPOSED METRO PCS ICE BRIDGE (1 Z8)

PROPOSED METRO PCS CELL SITE LIGHT MOUNTED TO SCH. 40 2" O.D. PIPE SECURED TO PPC SUPPORT POST (LITHONIA 500W LAMP MODEL #TQE500120LPIM12 OR EQUIVALENT) (TYP. OF 2) (3 Z7)

PROPOSED METRO PCS EQUIPMENT CABINET (TYP. OF (2) PRIMARY, (2) SECONDARY) (1,3 Z6)

PROPOSED METRO PCS 10'x20' LEASE AREA/CONCRETE EQUIPMENT PAD

PROPOSED METRO PCS 13'-0" LONG W6x15 STEEL SUPPORT BEAM (TYP. OF 2) (1 Z6)

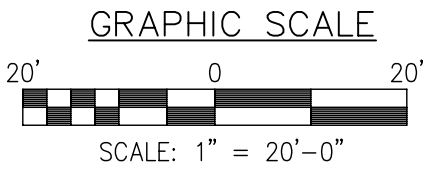
PROPOSED METRO PCS GPS ANTENNA (4 Z6)

PROPOSED METRO PCS GPS ANTENNA (4 Z6)

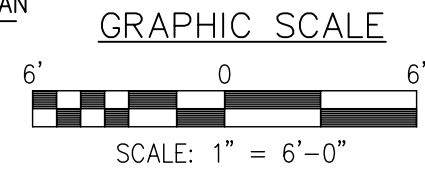
PROPOSED METRO PCS PPC CABINET (1 Z7)

PROPOSED PHOENIX PARTNERSHIP 70'x70' FENCED COMPOUND (1 Z10)

1 OVERALL SITE PLAN
SCALE: 1" = 20'



2 ENLARGED SITE PLAN
SCALE: 1" = 6'



BASEMAPPING PREPARED FROM A SITE WALK PERFORMED BY INFINGY ENGINEERING ON 12/16/08, AND AN SURVEY PERFORMED BY TPA DESIGN GROUP. AND DOES NOT REPRESENT AN ACTUAL FIELD SURVEY

UNAUTHORIZED ALTERATION OR ADDITION TO THIS DOCUMENT IS A VIOLATION OF APPLICABLE STATE AND/OR LOCAL LAWS

A	ISSUED FOR REVIEW	EKM	03/18/09
No.	Submittal / Revision	App'd	Date
Drawn:	EKM	Date:	03/18/09
Designed:	AGF	Date:	03/18/09
Checked:	S.B	Date:	03/18/09

Project Number 226-003

Project Title
NORTH HAVEN
50 DEVINE ST.
NORTH HAVEN, CT 06473

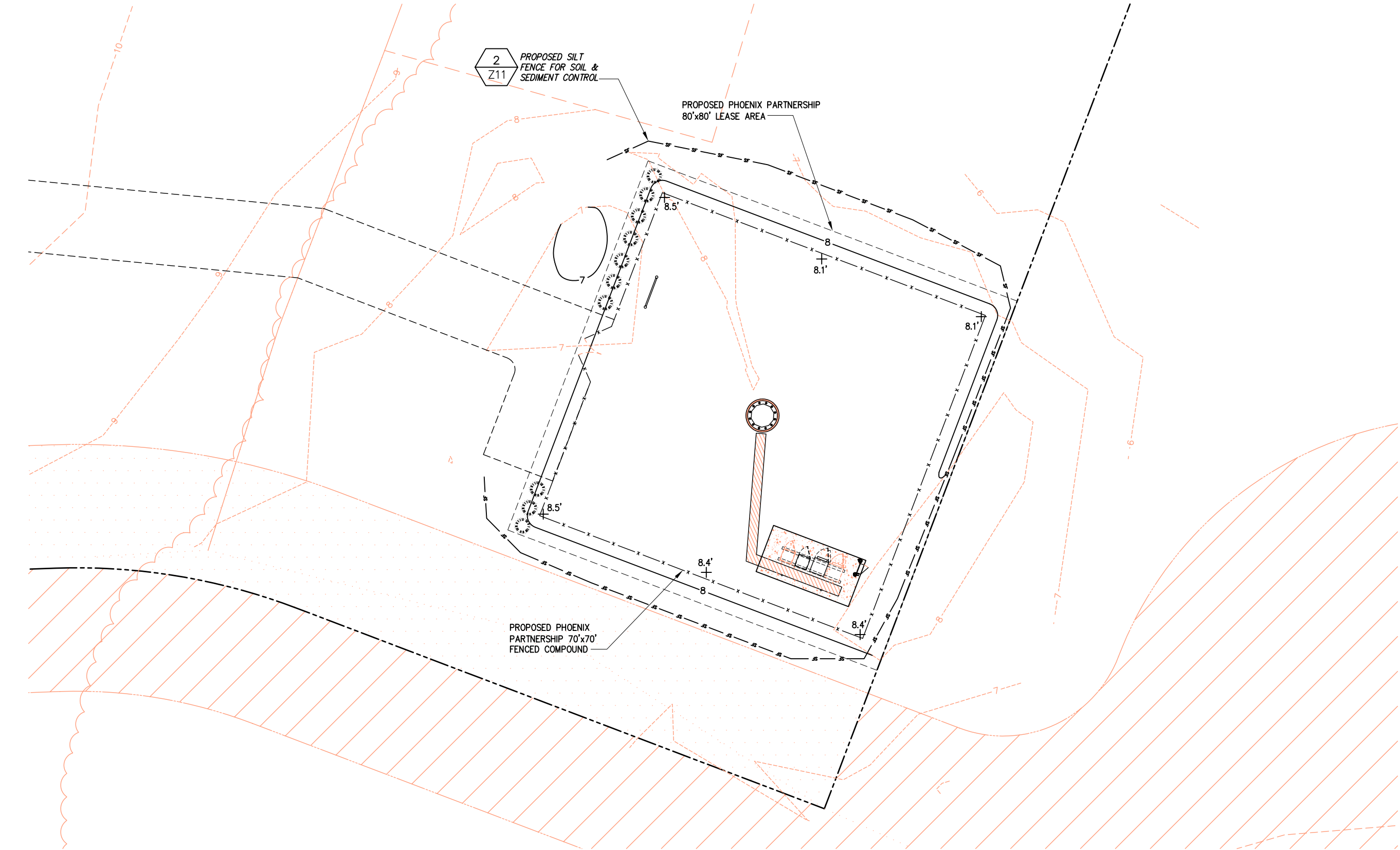
Prepared For
Phoenix Partnership
THIS DOCUMENT IS THE DESIGN PROPERTY AND COPYRIGHT OF INFINGY ENGINEERING & SURVEYING. IT IS TO BE USED ONLY FOR THE PROJECT AND CLIENT FOR WHICH IT WAS PREPARED. ANY REUSE OR REPRODUCTION WITHOUT THE EXPRESS WRITTEN CONSENT OF THE CREATOR IS STRICTLY PROHIBITED.

Drawing Scale:
AS NOTED
Date:
03/18/09

ZD

Drawing Title
SITE LAYOUTS

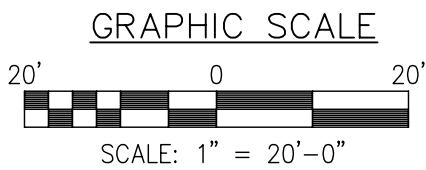
Drawing Number
Z3



BASEMAPPING PREPARED FROM A SITE WALK PERFORMED BY INFINIGY ENGINEERING ON 12/16/08, AND AN SURVEY PERFORMED BY TPA DESIGN GROUP. AND DOES NOT REPRESENT AN ACTUAL FIELD SURVEY



1 GRADING PLAN
SCALE: 1" = 20'



infinigy
engineering & surveying
11 Herbert Drive
Latham, NY 12110
OFFICE: (518) 690-0790
FAX: (518) 690-0793

UNAUTHORIZED ALTERATION OR ADDITION TO THIS DOCUMENT IS A VIOLATION OF APPLICABLE STATE AND/OR LOCAL LAWS

No.	Submitted / Revision	App'd	Date
A	ISSUED FOR REVIEW	EKM	03/18/09

Drawn: EKM Date: 03/18/09
Designed: AGF Date: 03/18/09
Checked: S.B Date: 03/18/09

Project Number 226-003

Project Title
NORTH HAVEN
50 DEVINE ST.
NORTH HAVEN, CT 06473

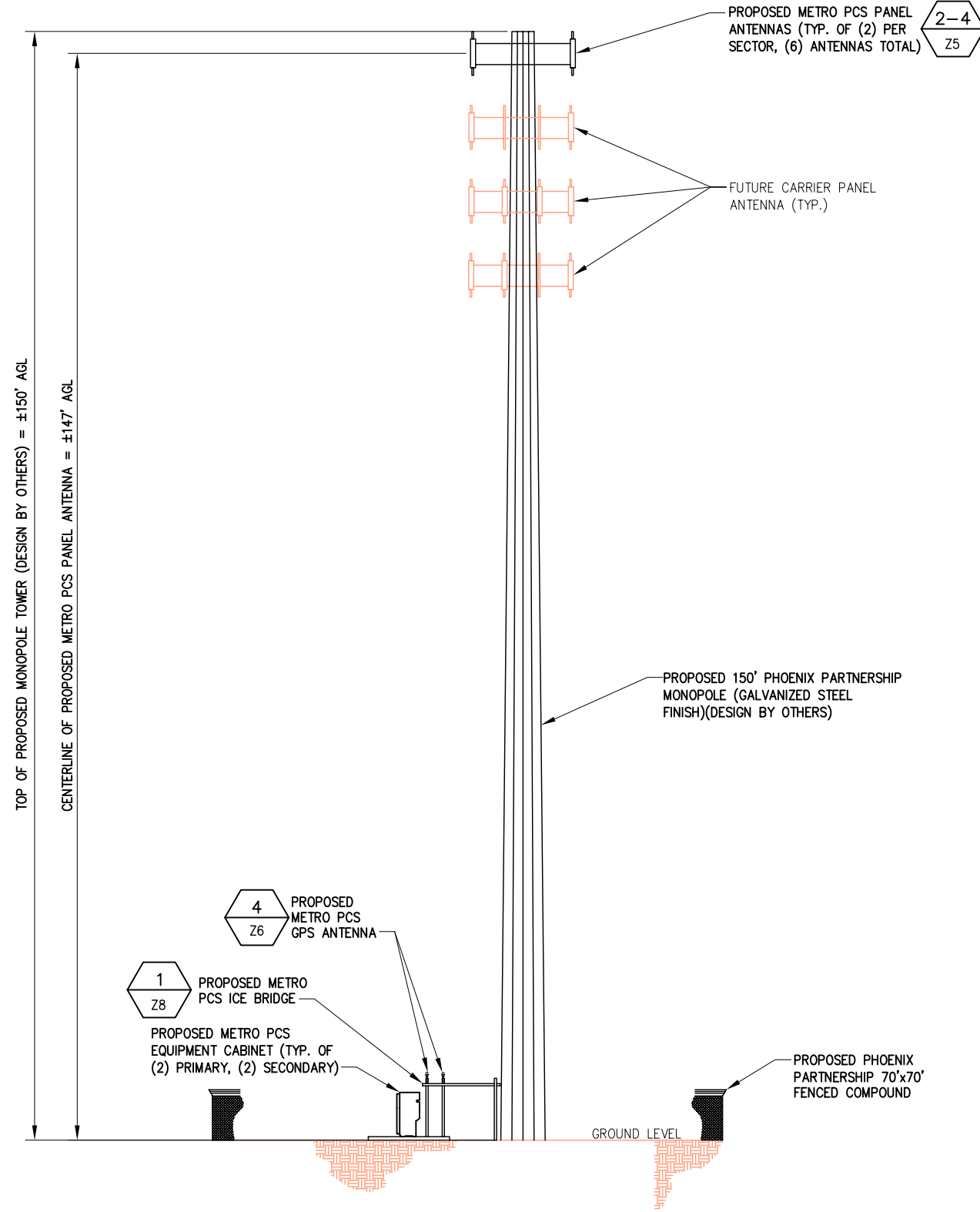
Prepared For
Phoenix Partnership
THIS DOCUMENT IS THE DESIGN PROPERTY AND COPYRIGHT OF INFINIGY ENGINEERING & SURVEYING. IT IS TO BE USED ONLY FOR THE PROJECT AND CLIENT FOR WHICH IT WAS PREPARED. NO REUSE, REPRODUCTION, OR PUBLICATION OR USE WITHOUT EXPRESS WRITTEN CONSENT OF THE CREATOR IS STRICTLY PROHIBITED.

Drawing Scale: AS NOTED
Date: 03/18/09

ZD

Drawing Title
GRADING PLAN

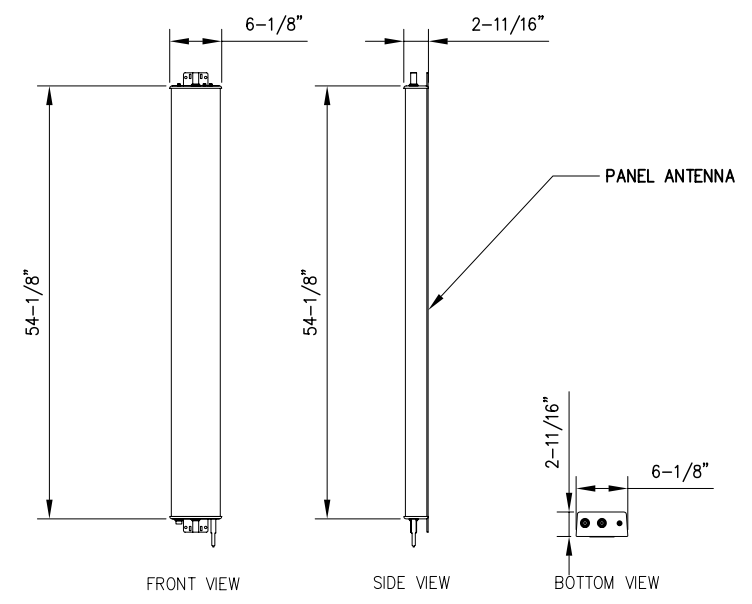
Drawing Number
Z4



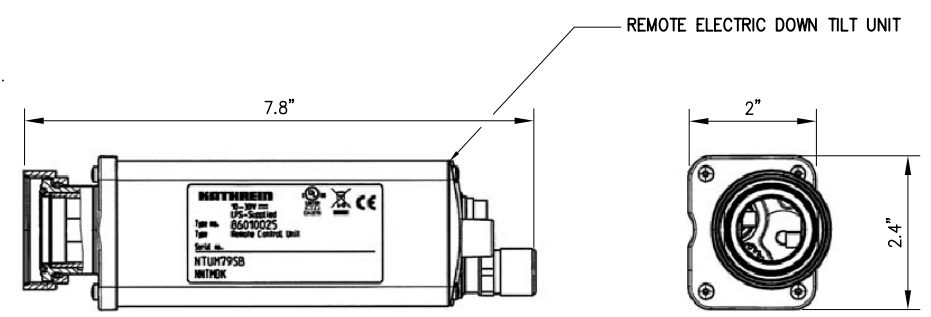
1 TOWER ELEVATION VIEW
-- NOT TO SCALE

STRUCTURAL ANALYSIS NOT COMPLETED AT TIME OF ISSUANCE OF THESE DRAWINGS. THE STRUCTURAL ANALYSIS MUST BE COMPLETED PRIOR TO CONSTRUCTION.

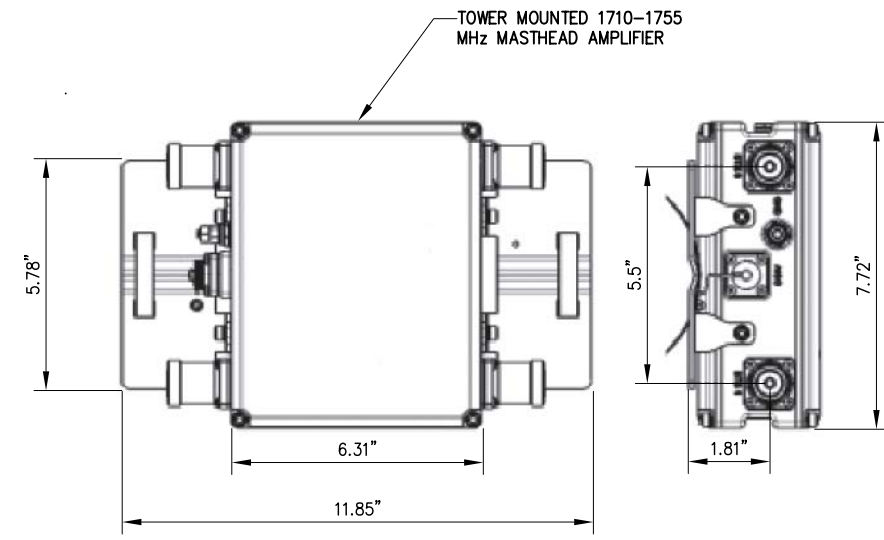
PROPOSED ANTENNA RAD CENTER IS PRELIMINARY AND IS SUBJECT TO CHANGE WITH FINAL RF CONFIGURATION BY RF ENGINEER.



2 ANTENNA SPECIFICATIONS
-- NOT TO SCALE



3 REMOTE ANTENNA DOWN TILT KIT
-- NOT TO SCALE



4 TOWER MOUNTED AMPLIFIER
-- NOT TO SCALE

infinigy
engineering & surveying
11 Herbert Drive
Latham, NY 12110
OFFICE: (518) 690-0790
FAX: (518) 690-0793

UNAUTHORIZED ALTERATION OR ADDITION TO THIS DOCUMENT IS A VIOLATION OF APPLICABLE STATE AND/OR LOCAL LAWS

A	ISSUED FOR REVIEW	EKM	03/18/09
No.	Submittal / Revision	App'd	Date
Drawn:	EKM	Date:	03/18/09
Designed:	AGF	Date:	03/18/09
Checked:	S.B	Date:	03/18/09

Project Number 226-003

Project Title
NORTH HAVEN
50 DEVINE ST.
NORTH HAVEN, CT 06473

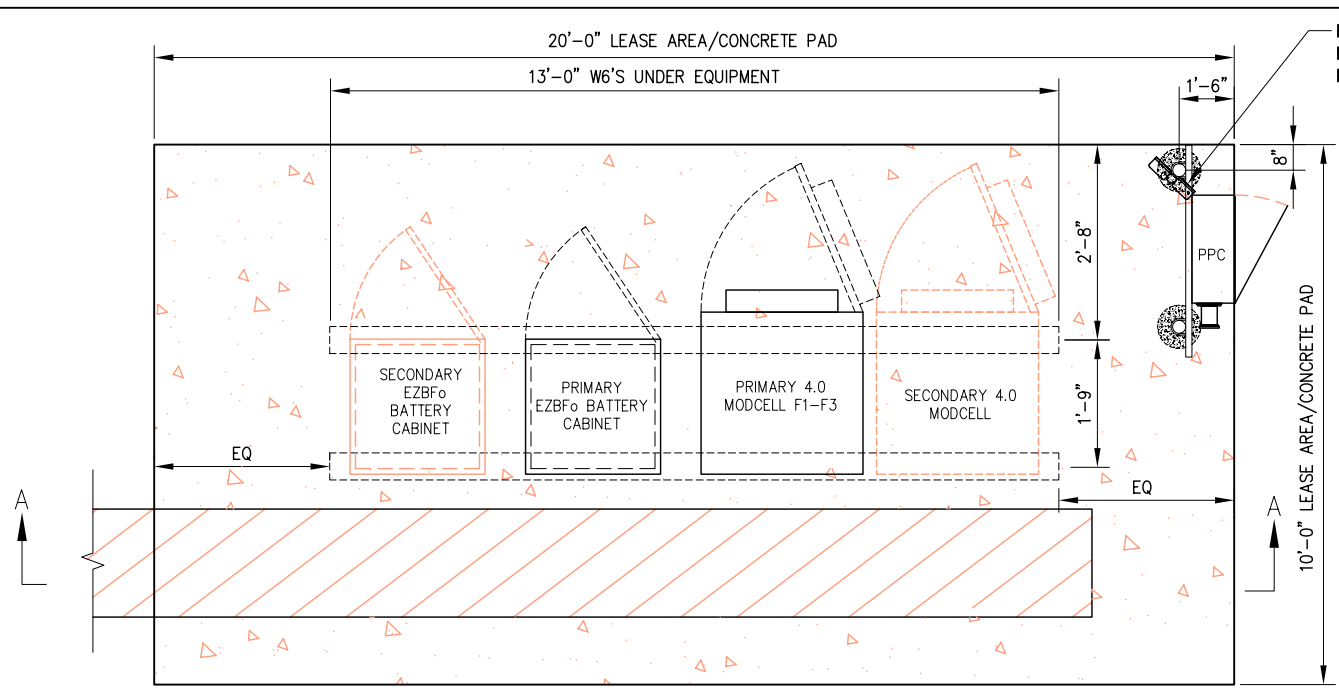
Prepared For
Phoenix Partnership
THIS DOCUMENT IS THE DESIGN PROPERTY AND COPYRIGHT OF INFINIGY ENGINEERING & SURVEYING. NO PART OF THIS DOCUMENT IS TO BE REPRODUCED, COPIED, OR TRANSMITTED IN ANY FORM OR BY ANY MEANS, WITHOUT THE EXPRESS WRITTEN CONSENT OF THE CREATOR. IN STRICTLY PROHIBITED.

Drawing Scale:
AS NOTED
Date:
03/18/09

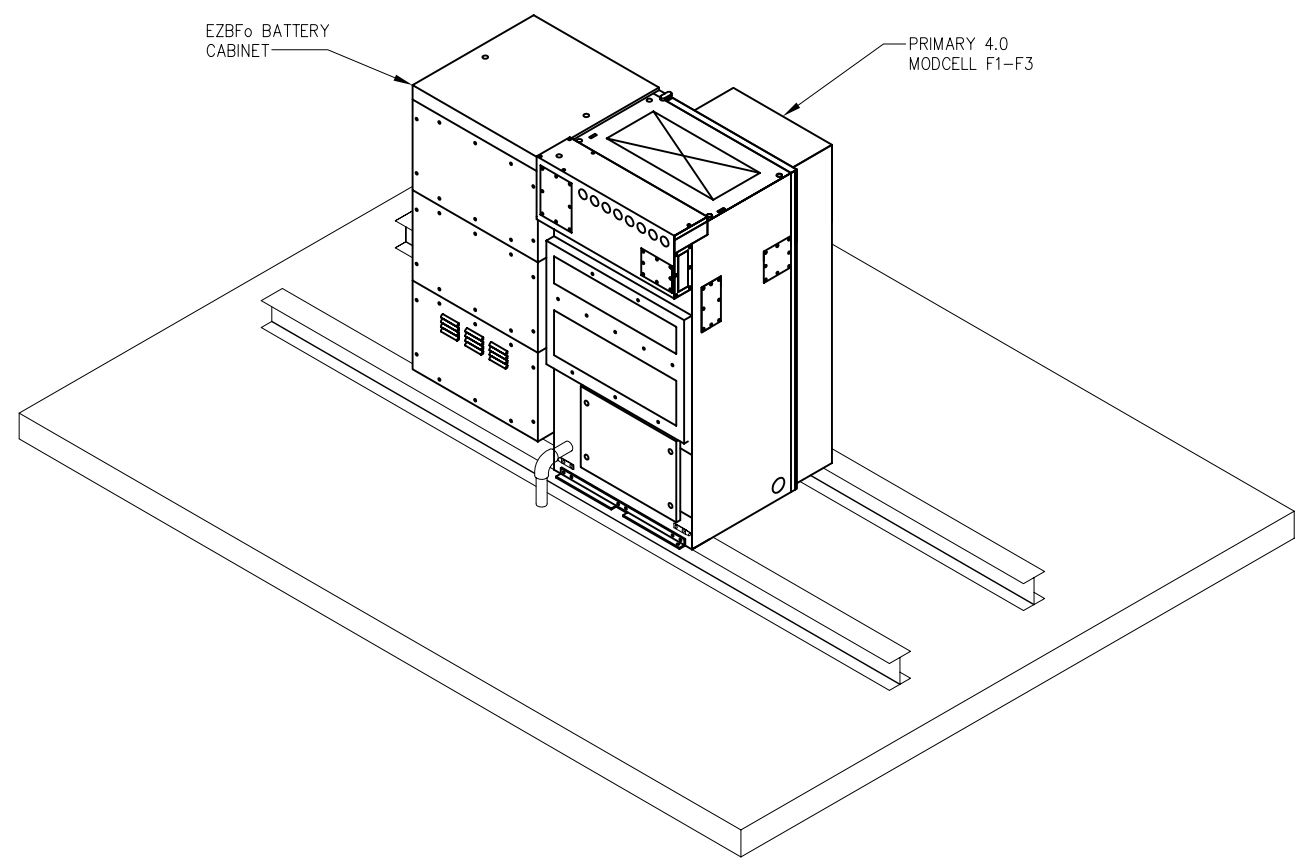
ZD

Drawing Title
ELEVATION VIEW & DETAILS

Drawing Number
Z5

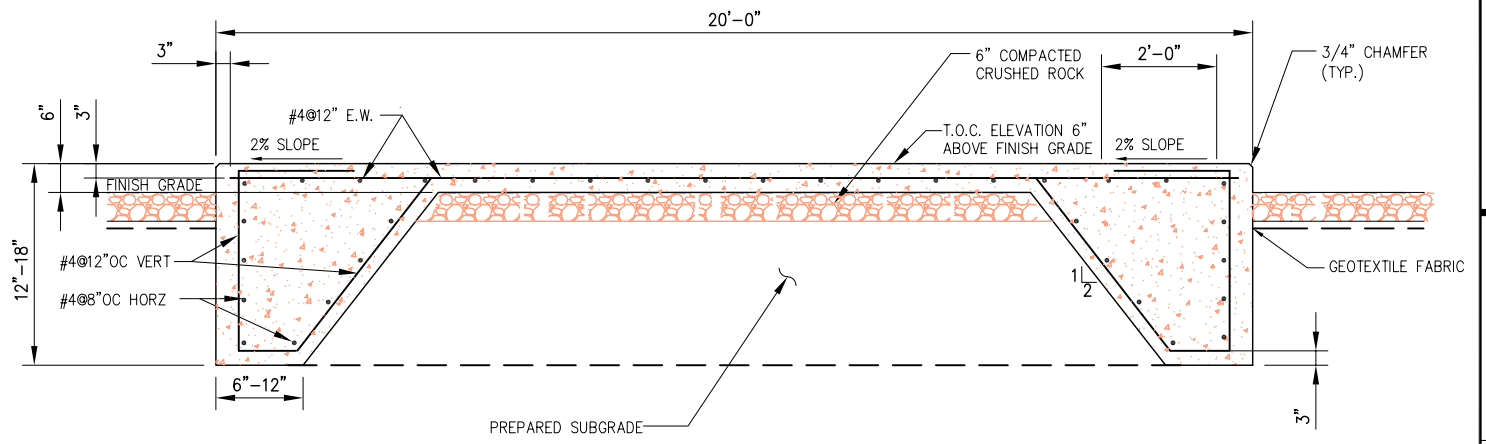


1 EQUIPMENT CABINET LAYOUT AND ANCHORING
 --- NOT TO SCALE

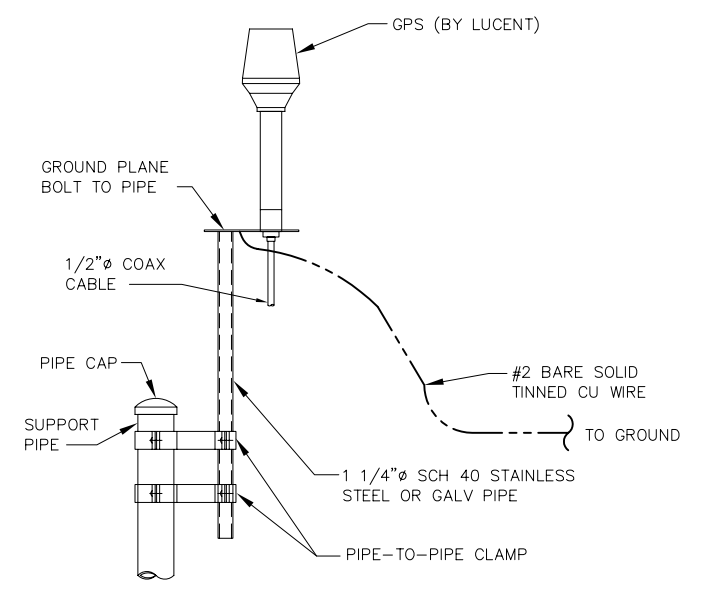


3 ISOMETRIC EQUIPMENT VIEW
 --- NOT TO SCALE

3
 --- NOT TO SCALE
 PROPOSED METRO PCS CELL SITE LIGHT MOUNTED TO SCH. 40 2" O.D. PIPE SECURED TO PROPOSED PPC SUPPORT POST (TYP. OF 2)



2 EQUIPMENT CABINET FOUNDATION (SECTION A-A)
 --- NOT TO SCALE



4 GPS ANTENNA
 --- NOT TO SCALE

NOTES

1. THE ELEVATION AND LOCATION OF THE GPS ANTENNA SHALL BE IN ACCORDANCE WITH THE FINAL RF REPORT.
2. THE GPS ANTENNA MOUNT IS DESIGNED TO FASTEN TO A GROUND PLANE BOLTED TO A STANDARD 1-1/4" DIAMETER, SCHEDULE 40 GALVANIZED STEEL OR STAINLESS STEEL PIPE. THE PIPE MUST NOT BE THREADED AT THE ANTENNA MOUNT END. THE PIPE SHALL BE CUT TO THE REQUIRED LENGTH (MINIMUM OF 18 INCHES) USING A HAND OR ROTARY PIPE CUTTER TO ASSURE A SMOOTH AND PERPENDICULAR CUT. A HACK SAW SHALL NOT BE USED. THE CUT PIPE END SHALL BE DEBURRED AND SMOOTH IN ORDER TO SEAL AGAINST THE NEOPRENE GASKET ATTACHED TO THE ANTENNA MOUNT.
3. IT IS CRITICAL THAT THE GPS ANTENNA IS MOUNTED SUCH THAT IT IS WITHIN 2 DEGREES OF VERTICAL AND THE BASE OF THE ANTENNA IS WITHIN 2 DEGREES OF LEVEL.
4. DO NOT SWEEP TEST GPS ANTENNA.

infinigy
 engineering & surveying
 11 Herbert Drive
 Latham, NY 12110
 OFFICE: (518) 690-0790
 FAX: (518) 690-0793

UNAUTHORIZED ALTERATION OR ADDITION TO THIS DOCUMENT IS A VIOLATION OF APPLICABLE STATE AND/OR LOCAL LAWS

No.	Submittal / Revision	App'd	Date
A	ISSUED FOR REVIEW	EKM	03/18/09

Drawn: EKM Date: 03/18/09
 Designed: AGF Date: 03/18/09
 Checked: S.B Date: 03/18/09

Project Number 226-003

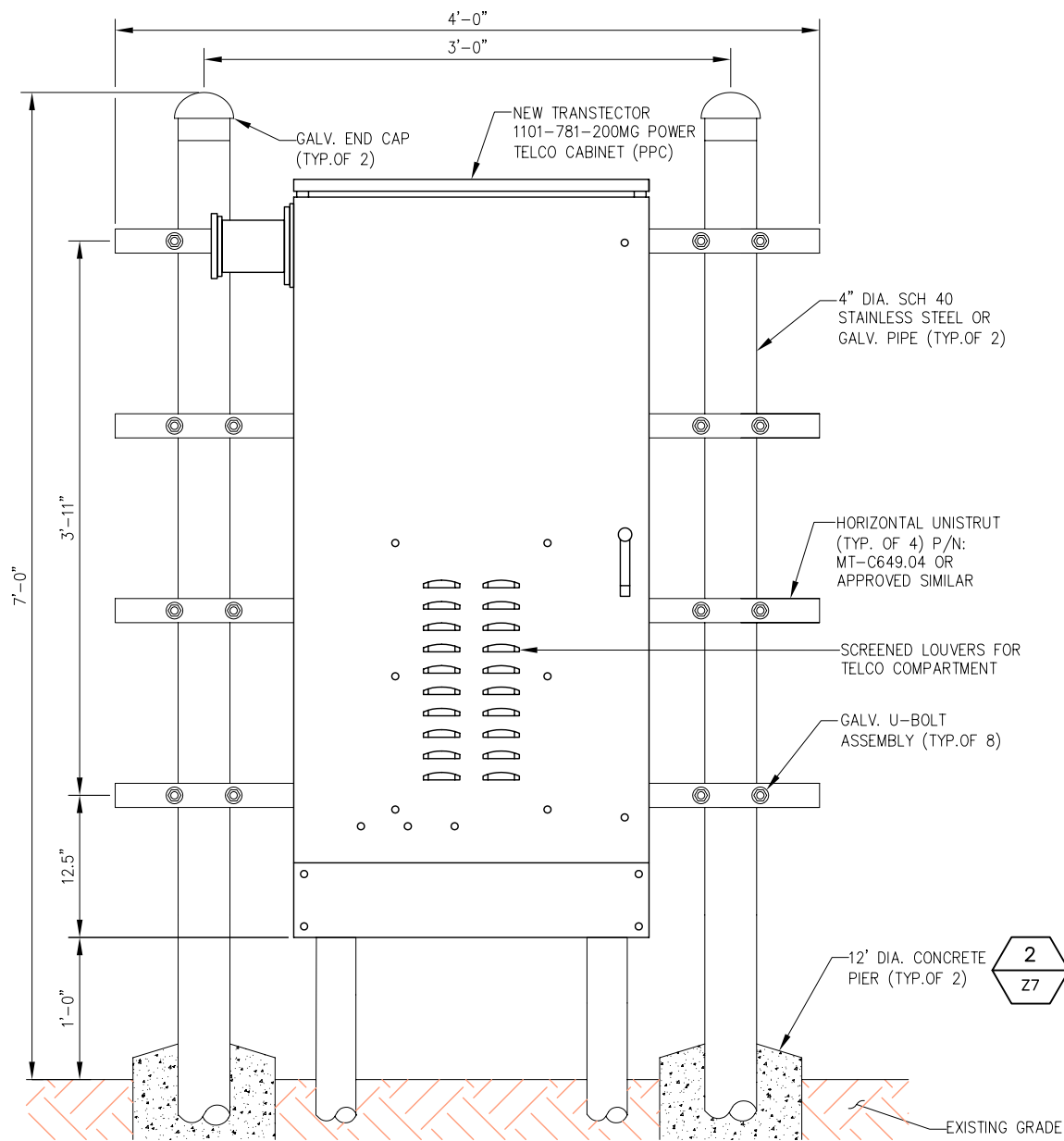
Project Title
NORTH HAVEN
 50 DEVINE ST.
 NORTH HAVEN, CT 06473

Prepared For
Phoenix Partnership
THIS DOCUMENT IS THE DESIGN PROPERTY AND COPYRIGHT OF INFINIGY ENGINEERING & SURVEYING. IT IS TO BE USED ONLY FOR THE PROJECT AND CLIENT FOR WHICH IT WAS PREPARED. ANY REUSE, REPRODUCTION, OR PUBLICATION OF THIS DOCUMENT WITHOUT THE EXPRESS WRITTEN CONSENT OF THE CREATOR IS STRICTLY PROHIBITED.

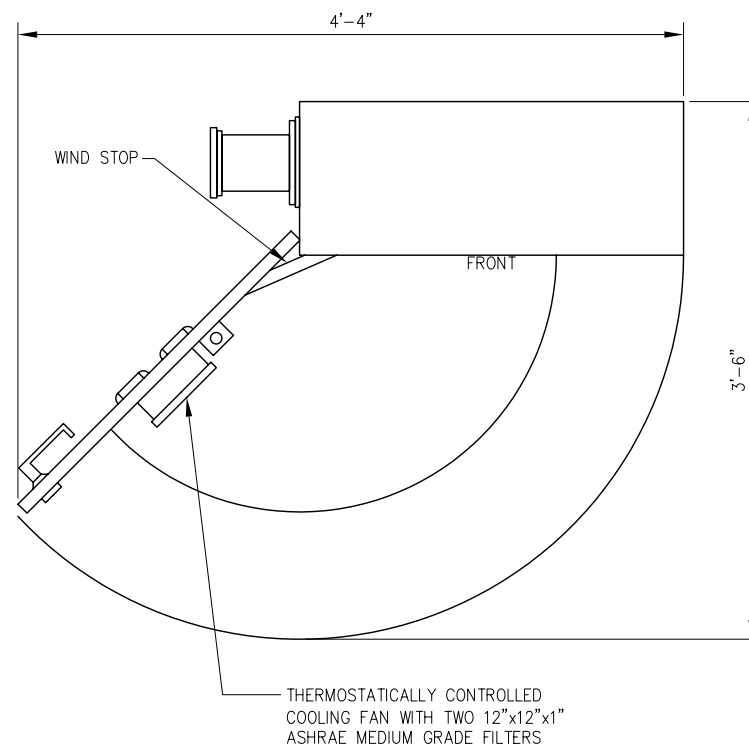
Drawing Scale: AS NOTED
 Date: 03/18/09
ZD

Drawing Title
DETAILS

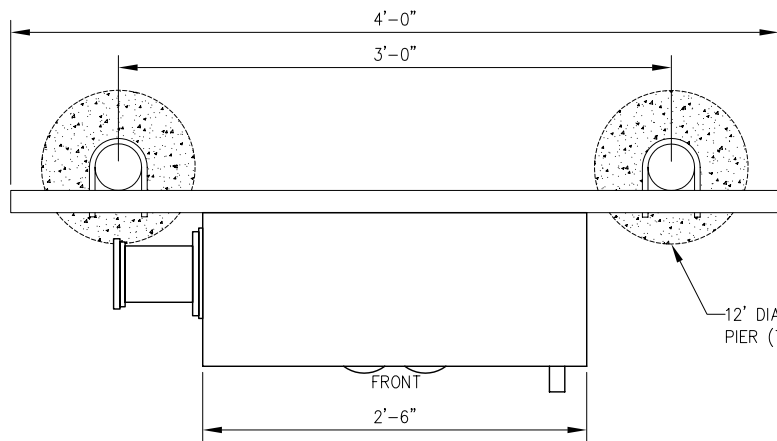
Drawing Number
Z6



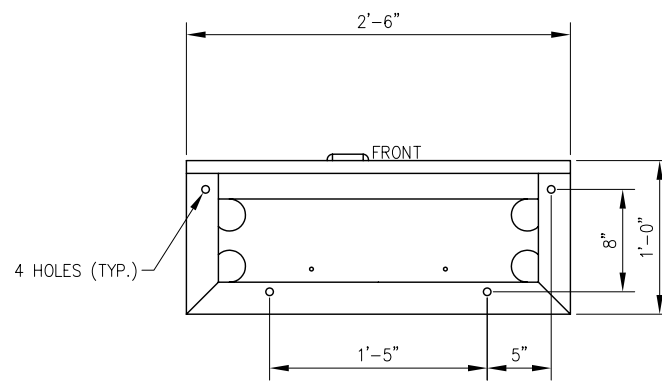
ELEVATION VIEW



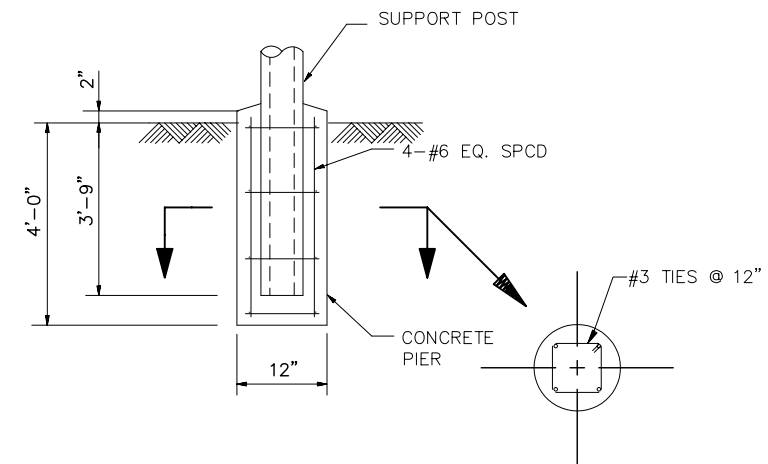
TOP PLAN VIEW (DOOR OPEN)



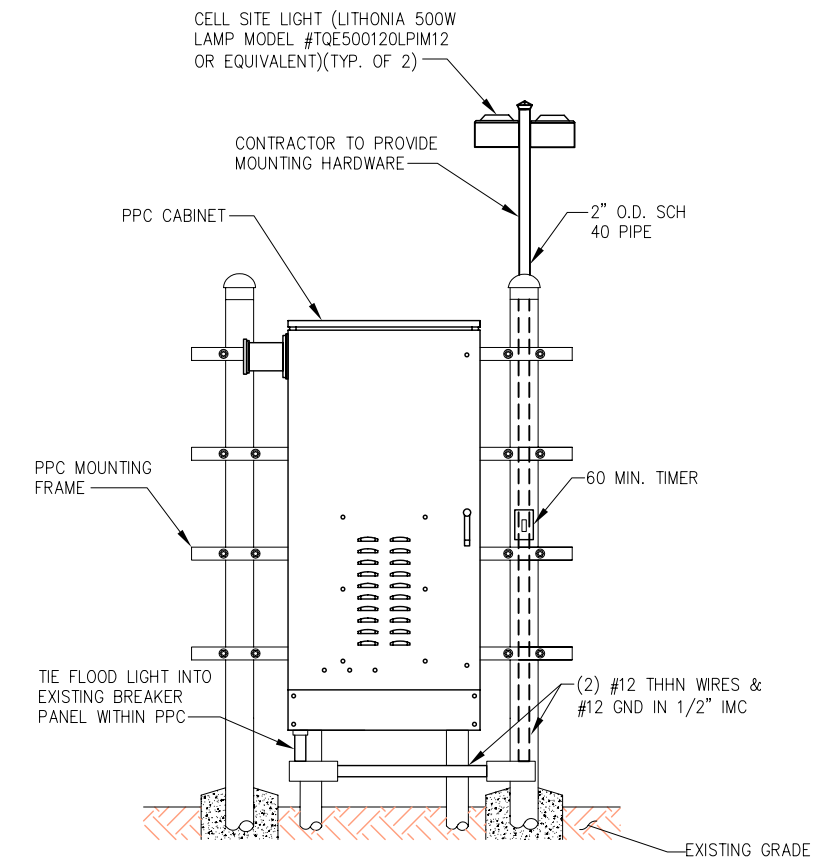
TOP PLAN VIEW (DOOR CLOSED)



BOTTOM PLAN VIEW



2 SUPPORT POST FOOTING
-- NOT TO SCALE



3 CELL SITE LIGHT DETAIL
-- NOT TO SCALE

1 PPC CABINET AND MOUNTING FRAME DETAILS
-- NOT TO SCALE

UNAUTHORIZED ALTERATION OR ADDITION TO THIS DOCUMENT IS A VIOLATION OF APPLICABLE STATE AND/OR LOCAL LAWS

No.	Submitted / Revision	App'd	Date
A	ISSUED FOR REVIEW	EKM	03/18/09

Project Number 226-003

Project Title
NORTH HAVEN

50 DEVINE ST.
NORTH HAVEN, CT 06473

Prepared For
Phoenix Partnership
THIS DOCUMENT IS THE DESIGN PROPERTY AND COPYRIGHT OF INFINIGY ENGINEERING & SURVEYING. IT IS TO BE USED ONLY FOR THE PROJECT AND CLIENT FOR WHICH IT WAS PREPARED. NO REUSE, REPRODUCTION, OR PUBLICATION OR USE WITHOUT EXPRESS WRITTEN CONSENT OF THE CREATOR IS STRICTLY PROHIBITED.

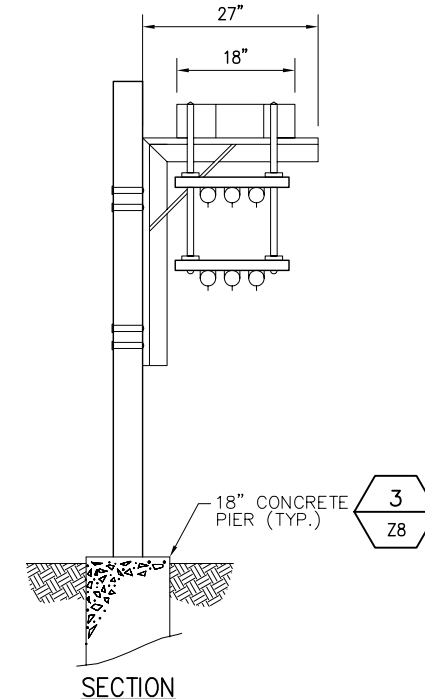
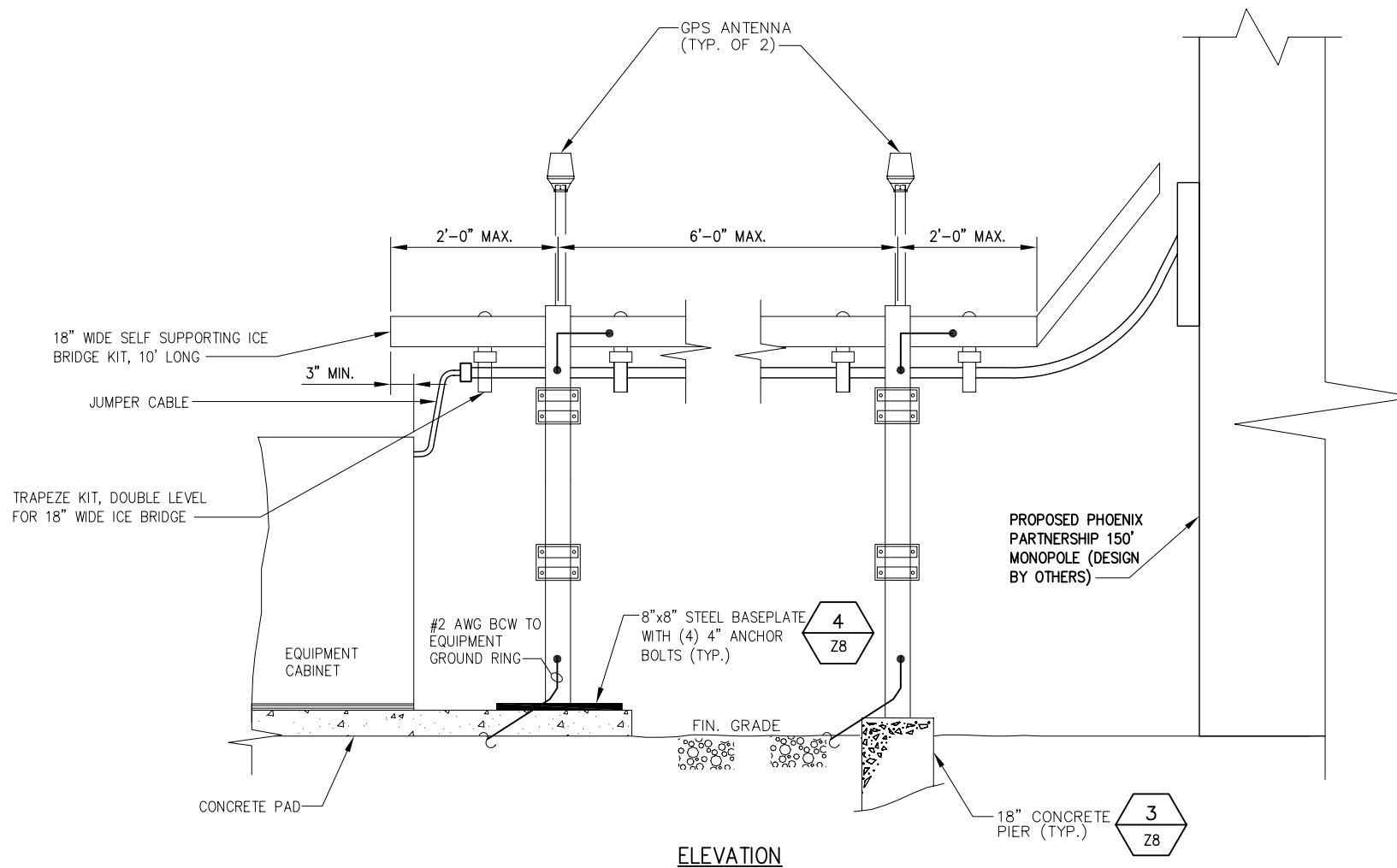
Drawing Scale:
AS NOTED
Date:
03/18/09

ZD

Drawing Title
PPC DETAILS

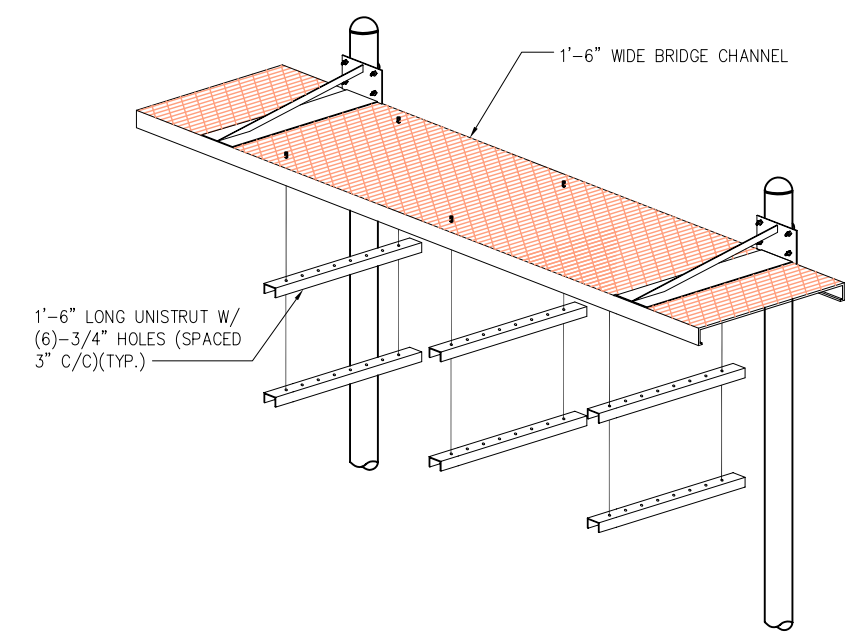
Drawing Number

Z7

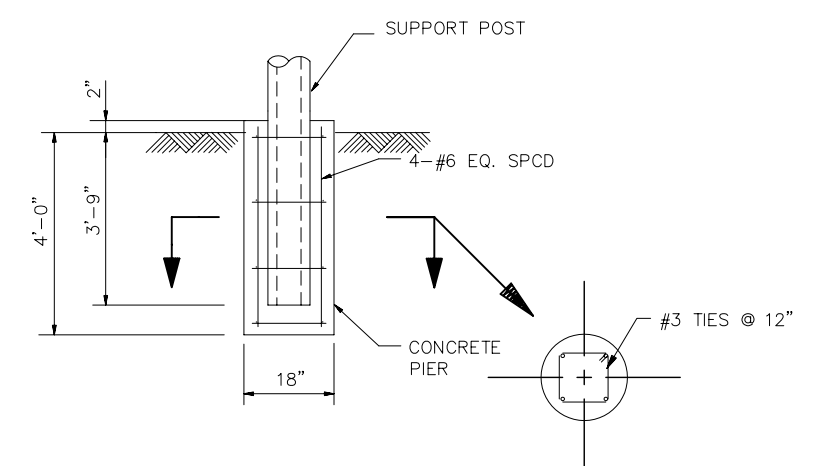


- NOTES:**
1. WHEN USING PIROD COMPONENTS AS SHOWN IN STANDARD DETAILS, MAXIMUM ALLOWABLE SPAN BETWEEN SUPPORTS ON A CONTINUOUS SINGLE SECTION OF BRIDGE CHANNEL SHALL BE 19 FEET FOR 20 FEET BRIDGE CHANNEL, OR 9 FEET FOR 10 FEET BRIDGE CHANNEL.
 2. WHEN USING PIROD COMPONENTS FOR SPlicing BRIDGE CHANNEL SECTIONS, THE SPLICE SHOULD BE PROVIDED AT THE SUPPORT, IF POSSIBLE, OR AT A MAXIMUM OF 2 FEET FROM THE SUPPORT.
 3. WHEN USING PIROD COMPONENTS, SUPPORT SHOULD BE PROVIDED AS CLOSE AS POSSIBLE TO THE ENDS OF ICE BRIDGES, WITH A MAXIMUM CANTILEVER DISTANCE OF 2 FEET FROM THE SUPPORT TO THE FREE END OF THE ICE BRIDGE.
 4. CUT BRIDGE CHANNEL SECTIONS SHOULD HAVE RAW EDGES TREATED WITH A MATERIAL TO RESTORE THE EDGES TO THE ORIGINAL CHANNEL, OR EQUIVALENT, FINISH.
 5. ICE BRIDGES MAY BE CONSTRUCTED WITH COMPONENTS FROM MANUFACTURERS OTHER THAN PIROD, PROVIDED THE MANUFACTURER'S INSTALLATION GUIDELINES ARE FOLLOWED.
 6. DEVIATIONS FROM STANDARDS FOR COMPONENT INSTALLATIONS ARE PERMITTED WITH THE RESPECTIVE MANUFACTURER'S APPROVAL.
 7. ATTACH FLANGED END OF SUPPORT POST TO CONCRETE PAD USING 4 - 3/8" DIA. HILT-HY 150 ADHESIVE ANCHORS. PROVIDE MINIMUM OF 4 1/2" EMBEDMENT.
 8. DEVIATIONS FROM ICE BRIDGE FOUNDATIONS SHOWN ON SITE SPECIFIC DRAWINGS OR STANDARD DETAILS REQUIRE ENGINEERING APPROVAL.

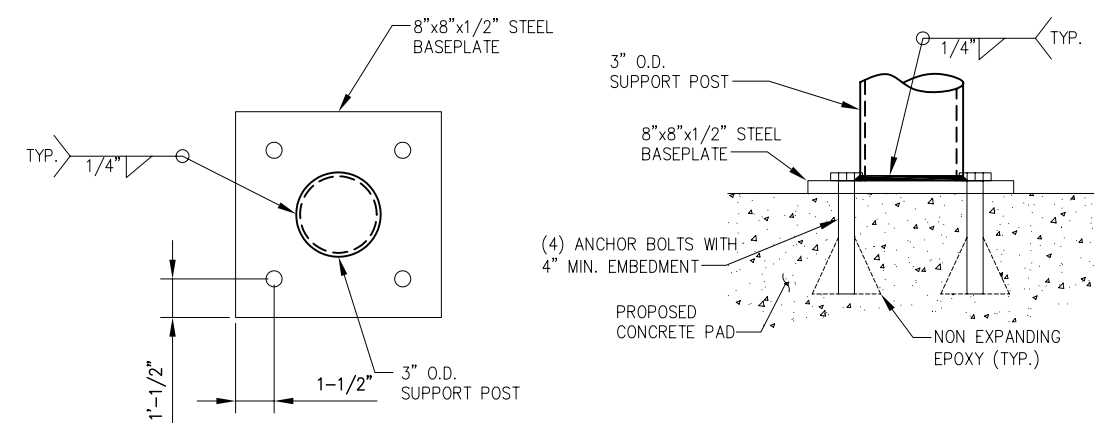
1 ICE BRIDGE
-- NOT TO SCALE



2 ISOMETRIC ICE BRIDGE
-- NOT TO SCALE



3 SUPPORT POST FOOTING
-- NOT TO SCALE



4 SUPPORT POST MOUNTING DETAIL
-- NOT TO SCALE

infinigy
engineering & surveying
11 Herbert Drive
Latham, NY 12110
OFFICE: (518) 690-0790
FAX: (518) 690-0793

UNAUTHORIZED ALTERATION OR ADDITION TO THIS DOCUMENT IS A VIOLATION OF APPLICABLE STATE AND/OR LOCAL LAWS

No.	Submittal / Revision	App'd	Date
A	ISSUED FOR REVIEW	EKM	03/18/09

Drawn: EKM Date: 03/18/09
Designed: AGF Date: 03/18/09
Checked: S.B Date: 03/18/09

Project Number 226-003

Project Title
NORTH HAVEN
50 DEVINE ST.
NORTH HAVEN, CT 06473

Prepared For
Phoenix Partnership
THIS DOCUMENT IS THE DESIGN PROPERTY AND COPYRIGHT OF INFINIGY ENGINEERING & SURVEYING. IT IS TO BE USED ONLY FOR THE PROJECT AND CLIENT FOR WHICH IT WAS PREPARED. NO REUSE, REPRODUCTION, OR DISTRIBUTION IS PERMITTED WITHOUT THE EXPRESS WRITTEN CONSENT OF THE CREATOR. ANY VIOLATION IS STRICTLY PROHIBITED.

Drawing Scale:
AS NOTED
ZD
Date:
03/18/09

Drawing Title
DETAILS

Drawing Number
Z8


UNAUTHORIZED ALTERATION OR ADDITION TO THIS DOCUMENT IS A VIOLATION OF APPLICABLE STATE AND/OR LOCAL LAWS

A ISSUED FOR REVIEW EKM 03/18/09
 No. Submittal / Revision App'd Date

Drawn: EKM Date: 03/18/09
 Designed: AGF Date: 03/18/09
 Checked: S.B. Date: 03/18/09

Project Number 226-003

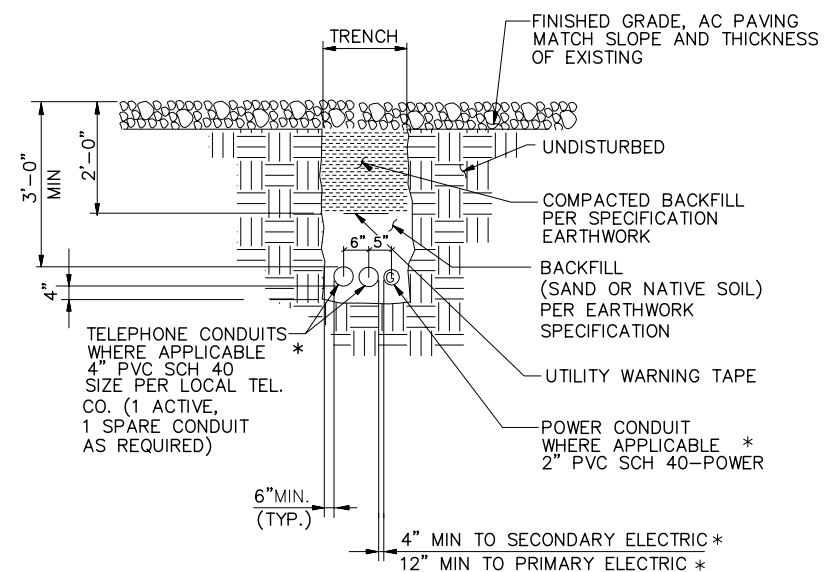
Project Title
NORTH HAVEN
 50 DEVINE ST.
 NORTH HAVEN, CT 06473

Prepared For

 THIS DOCUMENT IS THE DESIGN PROPERTY AND COPYRIGHT OF INFINIGY ENGINEERING & SURVEYING. IT IS TO BE USED ONLY FOR THE PROJECT AND CLIENT FOR WHICH IT WAS PREPARED. ANY REUSE, REPRODUCTION, OR DISTRIBUTION WITHOUT THE EXPRESS WRITTEN CONSENT OF THE CREATOR IS STRICTLY PROHIBITED.

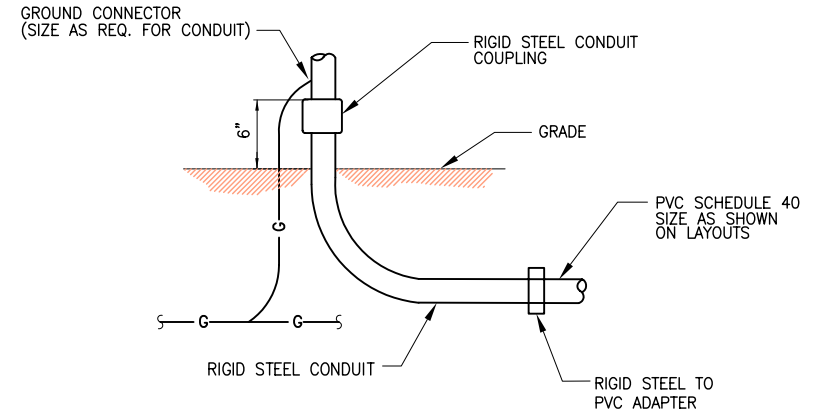
Drawing Scale: AS NOTED
 Date: 03/18/09
ZD

Drawing Title
DETAILS

Drawing Number
Z9



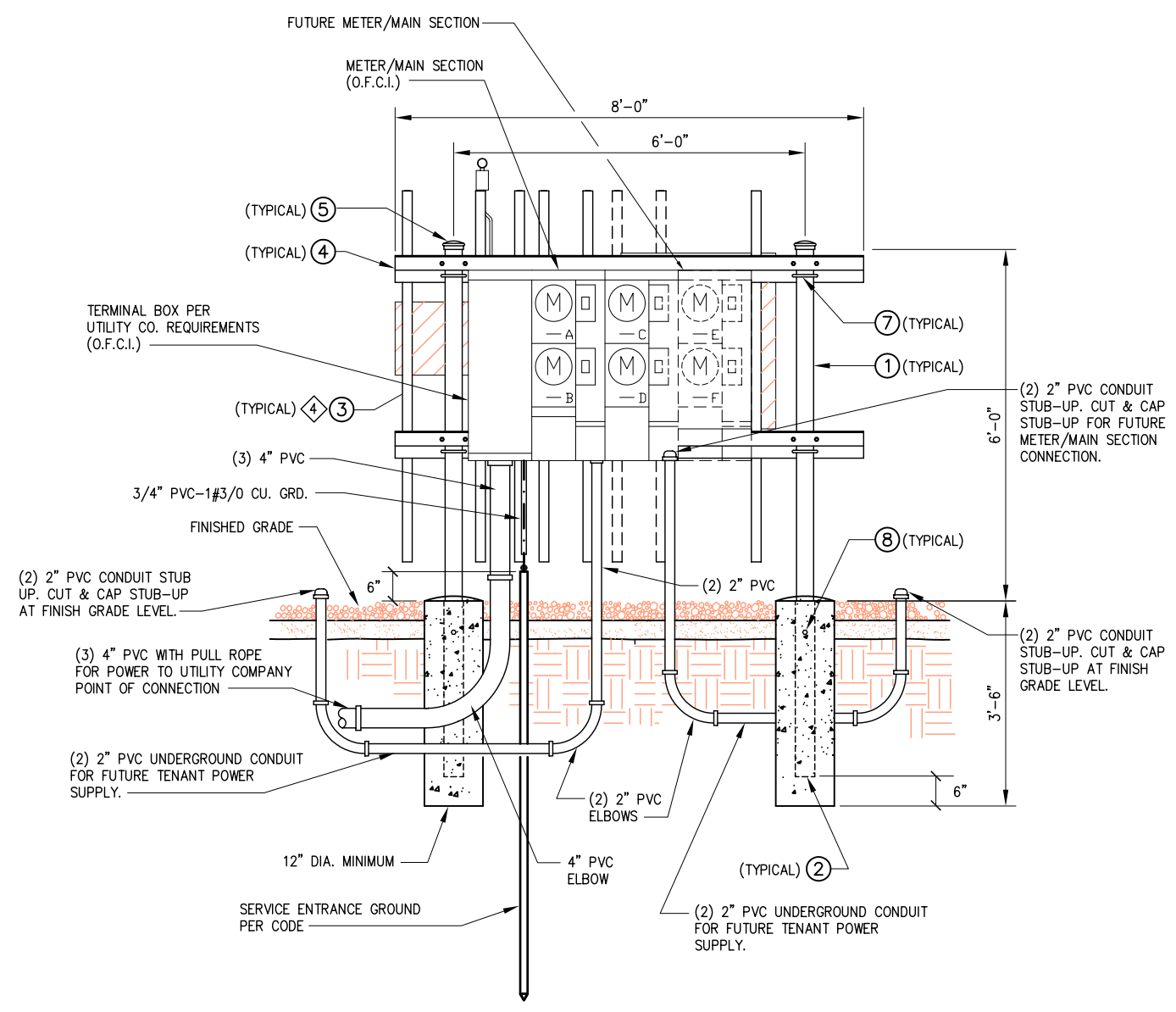
1 UNDERGROUND CONDUIT(S) ELECTRIC/TELEPHONE
 NOT TO SCALE



2 UNDERGROUND CONDUIT STUB-UP
 NOT TO SCALE

NOTES

1. ALL CONDUIT ABOVE GRADE MUST BE RIGID STEEL.
2. ALL PVC SCH. 40 CONDUIT MUST HAVE MIN. BURIAL DEPTH.
3. ALL NEW STRUCTURAL STEEL SHALL BE HOT DIP GALVANIZED IN ACCORDANCE WITH ASTM A123 G90 AFTER FABRICATION.
4. FIELD ABRASIONS SHALL BE TOUCH UP PAINTED WITH ZINC RICH GALVANIZING REPAIR PAINT IN ACCORDANCE WITH ASTM A780.
5. ALL EXPOSED ENDS OF CONDUITS SHALL HAVE WEATHER PROOF CAPS. **DO NOT USE DUCT TAPE.**
6. PROVIDE 200LB. TEST PULL WIRES IN EACH TELEPHONE AND POWER CONDUIT. STUB CONDUITS INTO ENCLOSURE AND LABEL. CONDUIT ENDS TO HAVE CHASE NIPPLE TO PROTECT CABLE FROM DAMAGE WHILE PULLING WIRE.

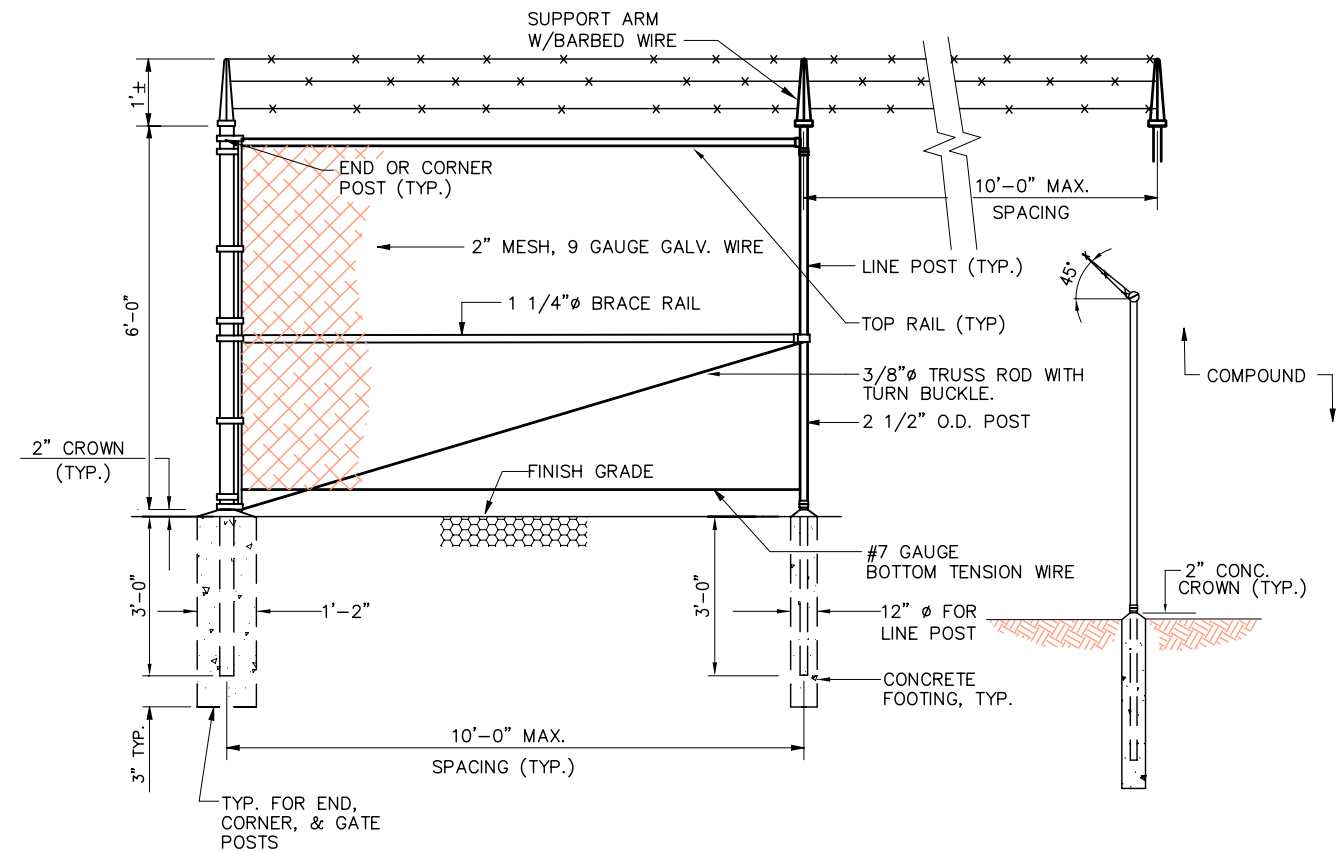


3 UTILITY RACK DETAILS
 NOT TO SCALE

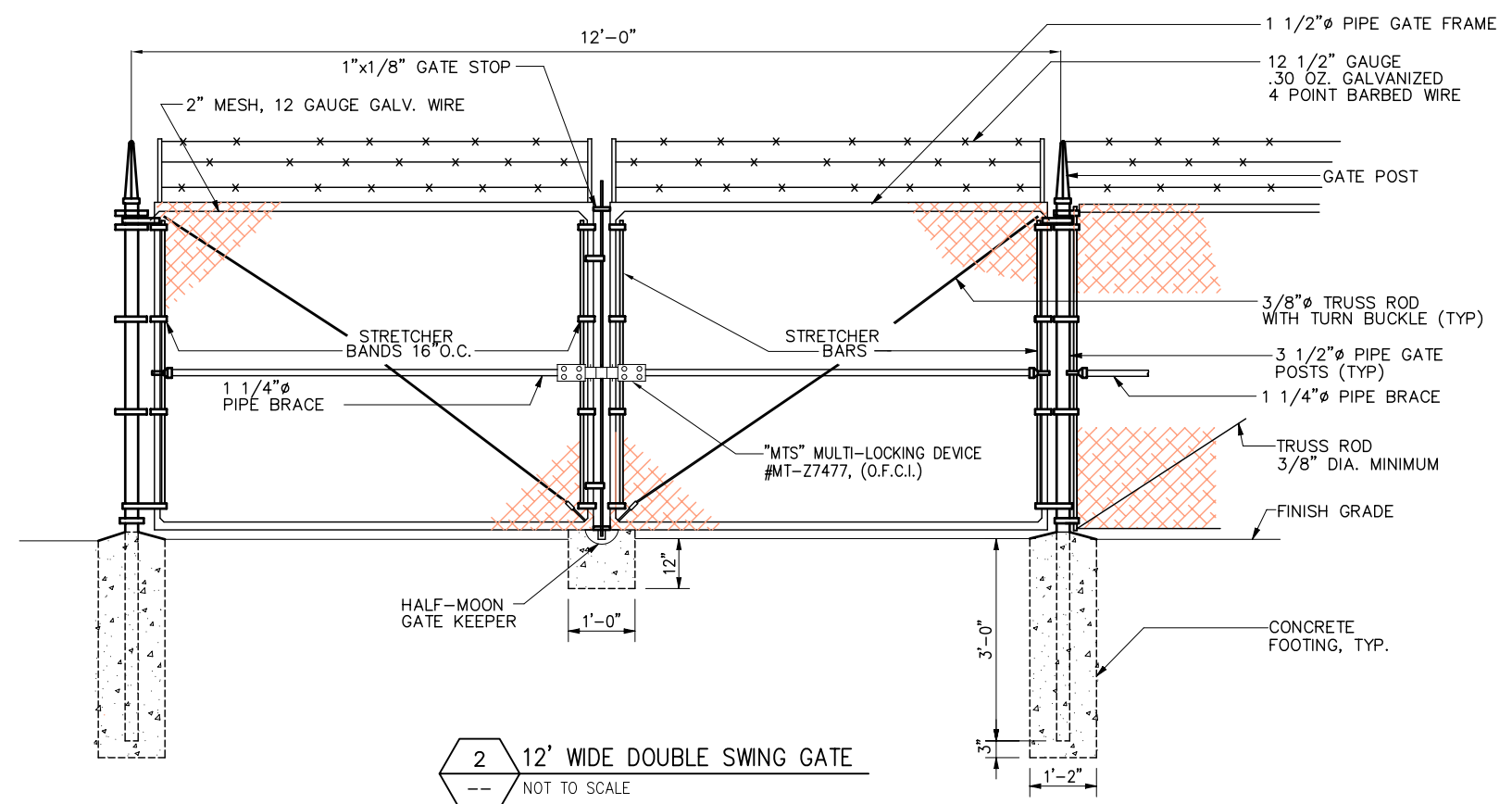
PARTS LIST - O.F.C.I.

ITEM	PART NO.	DESCRIPTION	QTY.
①	MT-C649.01	84" x 3.5" O.D. PIPE	2
+ ②	MT-C649.02	36" INSERT	2
③	MT-C649.03	VERTICAL MEMBER	9
④	MT-C649.04	HORIZONTAL MEMBER	4
⑤	MT-C6079	3-1/2" O.D. PIPE CAP	2
* ⑥	MT-514	3/8" ANGLE ADAPTOR	38
⑦	GU-84355	1/2 x 3-5/8 x 5" GALV. U-BOLT ASSY.	8
⑧	GB-04145	1/2 x 1-1/2" GALV. BOLT ASSY.	2
* ⑨	GB-03065	3/8 x 3/4" GALV. BOLT ASSY.	38
* ⑩	GW-F03	3/8" GALV. FLAT WASHER	38

* NOT SHOWN
 + TO PREVENT CORROSION, ENSURE THAT THE PIPE SLEEVE IS COMPLETELY BELOW GROUND LEVEL AND ENCASED IN CONCRETE.



1 CHAIN LINK FENCE DETAIL (ELEVATION)
 --- NOT TO SCALE



2 12' WIDE DOUBLE SWING GATE
 --- NOT TO SCALE

infinigy
 engineering
 & surveying
 11 Herbert Drive
 Latham, NY 12110
 OFFICE: (518) 690-0790
 FAX: (518) 690-0793

UNAUTHORIZED ALTERATION OR ADDITION TO THIS DOCUMENT IS A VIOLATION OF APPLICABLE STATE AND/OR LOCAL LAWS

No.	Submittal / Revision	App'd	Date
A	ISSUED FOR REVIEW	EKM	03/18/09

Drawn: EKM Date: 03/18/09
 Designed: AGF Date: 03/18/09
 Checked: S.B Date: 03/18/09

Project Number 226-003

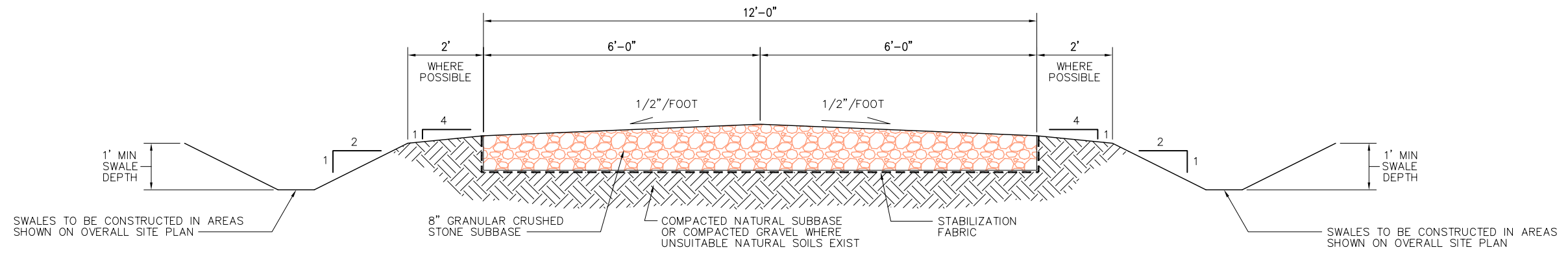
Project Title
NORTH HAVEN
 50 DEVINE ST.
 NORTH HAVEN, CT 06473

Prepared For
Phoenix Partnership
 THIS DOCUMENT IS THE DESIGN PROPERTY AND COPYRIGHT OF INFINIGY ENGINEERING & SURVEYING. IT IS TO BE USED ONLY FOR THE PROJECT AND CLIENT FOR WHICH IT WAS PREPARED. NO REUSE, REPRODUCTION, PUBLICATION OR USE WITHOUT EXPRESS WRITTEN CONSENT OF THE CREATOR IS STRICTLY PROHIBITED.

Drawing Scale: AS NOTED
 Date: 03/18/09
ZD

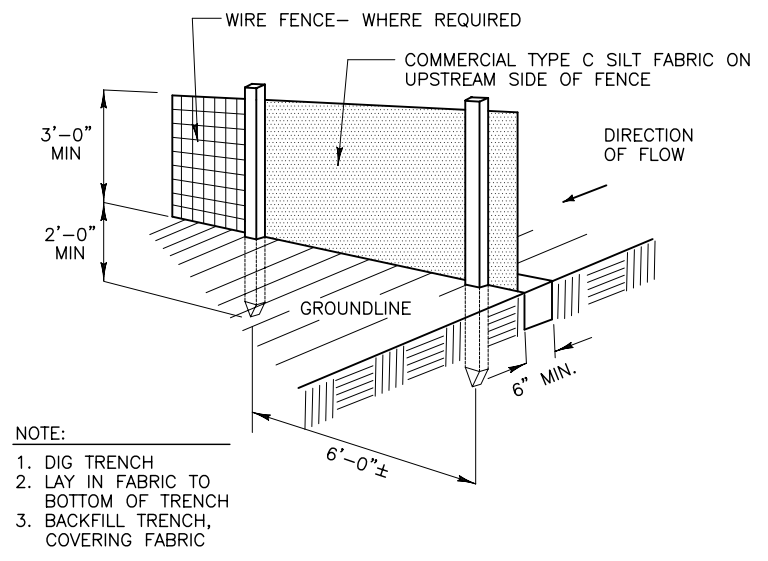
Drawing Title
FENCE DETAILS

Drawing Number
Z10



1 ACCESS ROAD CROSS SECTION WITH DRAINAGE DITCH
 NOT TO SCALE

- NOTES:
- NATURAL SOILS TO BE REPLACED WITH ACCEPTABLE FILL IF SOUND COMPACTED SUBGRADE CANNOT BE ACHIEVED.
 - GRAVEL MATERIAL FOR DRIVE TO BE PLACED IN LIFTS NOT TO EXCEED 6 INCHES AND COMPACTED TO 95% MAXIMUM DENSITY.

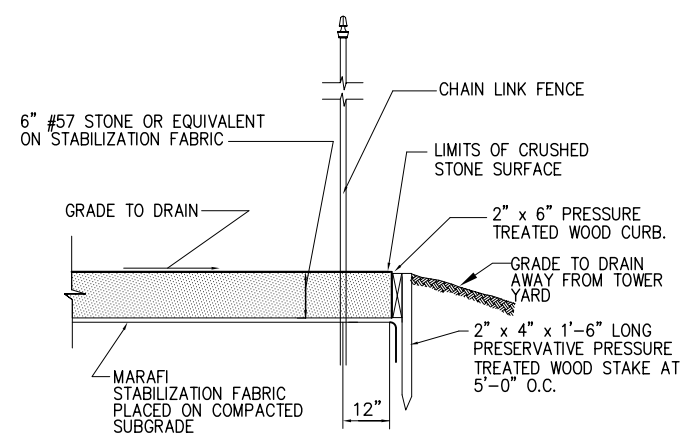


- NOTE:
- DIG TRENCH
 - LAY IN FABRIC TO BOTTOM OF TRENCH
 - BACKFILL TRENCH, COVERING FABRIC

2 SILT FENCE DETAIL
 NOT TO SCALE

CONSTRUCTION NOTES FOR FABRICATED SILT FENCE

- WOVEN WIRE FENCE TO BE FASTENED SECURELY TO FENCE POSTS WITH WIRE TIES OR STAPLES. POSTS: STEEL EITHER T OR U TYPE.
- FILTER CLOTH TO BE FASTENED SECURELY TO WOVEN WIRE FENCE WITH TIES SPACED EVERY 24" AT TOP AND MID SECTION. FENCE: WOVEN WIRE, 14 GA. 6" MAX. MESH OPENING.
- WHEN TWO SECTIONS OF FILTER CLOTH ADJOIN EACH OTHER THEY SHALL BE OVERLAPPED BY SIX INCHES AND FOLDED. FILTER CLOTH: FILTER X, MIRAFI 100X' STABILINKA T140N OR APPROVED EQUAL.
- MAINTENANCE SHALL BE PERFORMED AS NEEDED AND MATERIAL REMOVED WHEN "BULDGES" DEVELOP IN THE SILT FENCE. PREFABRICATED UNIT: GEOFAB, ENVIROFENCE OR APPROVED EQUAL.
- ALL SILT FENCE MATERIALS MUST BE LISTED ON THE CURRENT STATES. D.O.T. QUALIFIED PRODUCTS LIST.



3 SECTION THROUGH COMPOUND
 NOT TO SCALE

infinigy
 engineering & surveying
 11 Herbert Drive
 Latham, NY 12110
 OFFICE: (518) 690-0790
 FAX: (518) 690-0793

UNAUTHORIZED ALTERATION OR ADDITION TO THIS DOCUMENT IS A VIOLATION OF APPLICABLE STATE AND/OR LOCAL LAWS

A	ISSUED FOR REVIEW	EKM	03/18/09
No.	Submittal / Revision	App'd	Date
Drawn:	EKM	Date:	03/18/09
Designed:	AGF	Date:	03/18/09
Checked:	S.B	Date:	03/18/09

Project Number 226-003

Project Title
NORTH HAVEN
 50 DEVINE ST.
 NORTH HAVEN, CT 06473

Prepared For

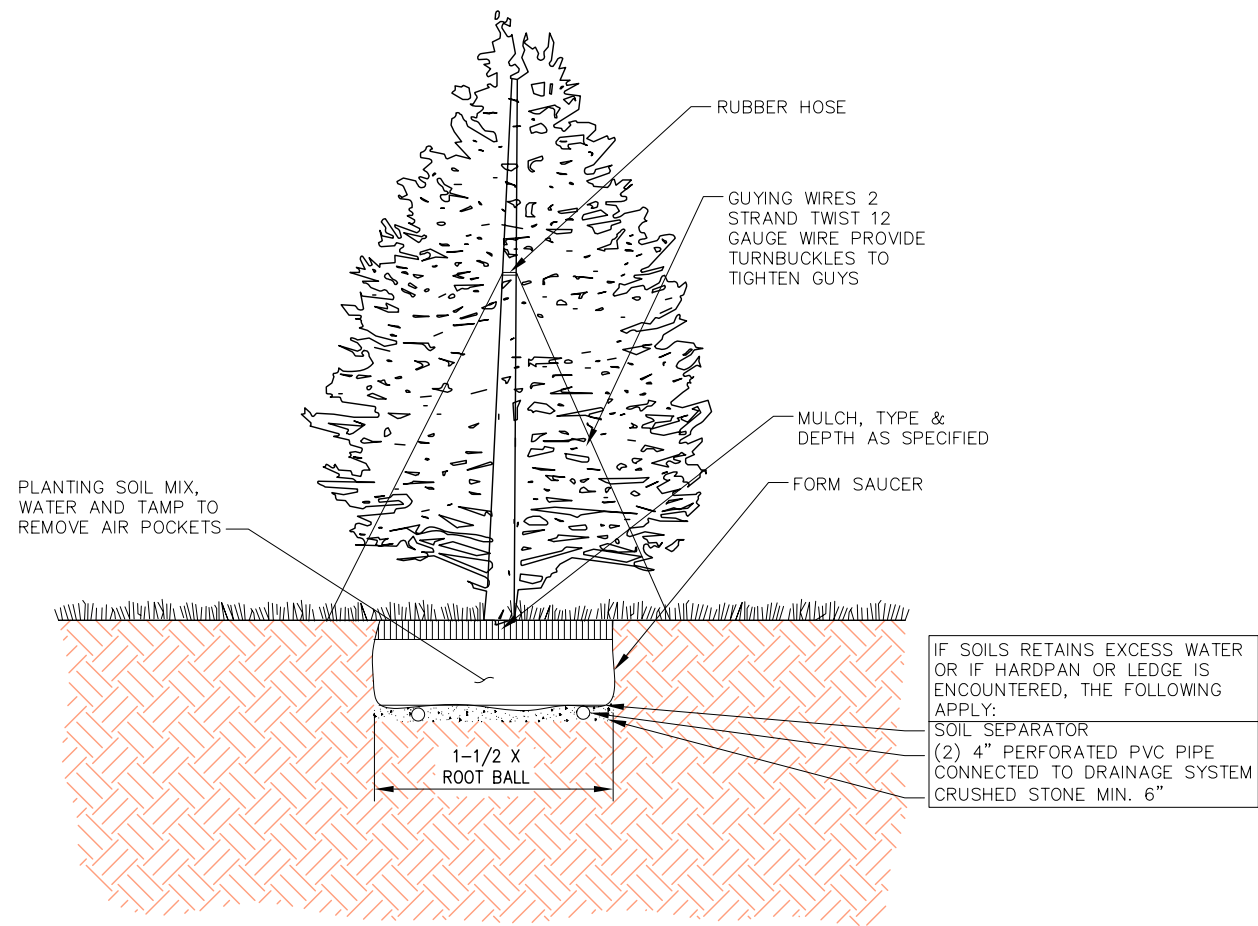
 THIS DOCUMENT IS THE DESIGN PROPERTY AND COPYRIGHT OF INFINIGY ENGINEERING & SURVEYING. IT IS TO BE USED ONLY FOR THE PROJECT AND CLIENT FOR WHICH IT WAS PREPARED. ANY REUSE, REPRODUCTION, OR DISTRIBUTION WITHOUT THE EXPRESS WRITTEN CONSENT OF THE CREATOR IS STRICTLY PROHIBITED.

Drawing Scale:
 AS NOTED
 Date:
 03/18/09

ZD

Drawing Title
DETAILS

Drawing Number
211



TREE & SHRUB PLANTING SPECIFICATIONS


SOIL MIX SHALL CONSIST OF 3 PARTS TOPSOIL, 3 PARTS PEAT MOSS, TO 1 PART COMPOSTED COW MANURE, AND 1 OZ SOIL MOIST PER EVERY 12 IN. OF LINEAR DIM. OF ROOT BALL. COVER WITH LANDSCAPE FABRIC AND A MIN. 3" CEDAR MULCH.

TREES SHALL BE A MIN. OF 6' TALL AND HAVE A CALIPER OF AT LEAST 2". TREES SHALL BE STAKED WITH OAK STAKES 2"x2"x6' AND GUY WIRE & STAKES. TREES SHOULD REACH A MATURE HEIGHT OF 15'.

ALL TREES AND SHRUBS MUST MEET OR EXCEED STANDARDS SET BY THE NATIONAL ASSOCIATION OF NURSERYMEN, YEAR OF LATEST

IF SOILS RETAINS EXCESS WATER OR IF HARDPAN OR LEDGE IS ENCOUNTERED, THE FOLLOWING APPLY:
 SOIL SEPARATOR
 (2) 4" PERFORATED PVC PIPE CONNECTED TO DRAINAGE SYSTEM
 CRUSHED STONE MIN. 6"

- NOTES:
1. PROVIDE STAKING AS REQUIRED
 2. PLANT SO THAT TOP OF ROOT BALL IS EVEN WITH THE FINISHED GRADE
 3. PAINT ALL CUTS OVER 1" IN DIA
 4. REMOVE ALL CONTAINERS AND BASKETS FROM ROOT BALL
 5. REMOVE BURLAP FROM TOP 1/3 OF ROOT BALL

KEY	QTY	BOTANICAL NAME	COMMON NAME	SIZE	COMMENTS
	TBD	PICEA PUNGENS (BAKERI)	BAKER BLUE SPRUCE	6' HEIGHT	B&B; WELL BRANCHED. COMPACT FORM

1 EVERGREEN PLANTING DETAIL
 -- NOT TO SCALE


UNAUTHORIZED ALTERATION OR ADDITION TO THIS DOCUMENT IS A VIOLATION OF APPLICABLE STATE AND/OR LOCAL LAWS

No.	Submittal / Revision	App'd	Date
A	ISSUED FOR REVIEW	EKM	03/18/09

Drawn: EKM Date: 03/18/09
 Designed: AGF Date: 03/18/09
 Checked: S.B Date: 03/18/09

Project Number: 226-003

Project Title:
NORTH HAVEN
 50 DEVINE ST.
 NORTH HAVEN, CT 06473

Prepared For:

 THIS DOCUMENT IS THE DESIGN PROPERTY AND COPYRIGHT OF INFINIGY ENGINEERING & SURVEYING. IT IS TO BE USED ONLY FOR THE PROJECT AND CLIENT FOR WHICH IT WAS PREPARED. ANY REUSE, REPRODUCTION, OR PUBLICATION OF THIS DOCUMENT WITHOUT THE EXPRESS WRITTEN CONSENT OF THE CREATOR IS STRICTLY PROHIBITED.

Drawing Scale: AS NOTED
 Date: 03/18/09
ZD

Drawing Title:
PLANTING DETAILS

Drawing Number:
Z12

APPENDIX D

SHPO CORRESPONDENCE

March 10, 2009

Connecticut Commission on Culture and Tourism
Historic Preservation and Museum Division
One Constitution Plaza, Second Floor
Hartford, CT 06103
Attn: Dr. David Poirier, Staff Archaeologist

Subject: Submission Packet, FCC Form 620 (Proposed New Tower Project)
FTP/50 Devine Street, North Haven Connecticut
Infinigy Project Number: 226-003

In accordance with the Federal Communications Commission (FCC) National Programmatic Agreement regarding Section 106 of the National Historic Preservation Act (NHPA), the above referenced telecommunications project is being evaluated by *Infinigy Engineering & Surveying, PLLC* for potential effects to districts, sites, buildings, structures or objects significant in American History, architecture, archaeology, engineering, or culture that are listed or potentially eligible for listing in the National Register of Historic Places (NRHP). Based upon *Infinigy's* review of the NPA, dated September 2004 and a review of the characteristics and location of the Project Site, the proposed Project does not meet any of the stated exclusions. Therefore, the proposed Project is required to undergo Section 106 Review with the State Historic Preservation Office.

In accordance with the NPA, attached please find the FCC Form 620 Submission Packet including a summary of the proposed Project actions as well as supporting documentation demonstrating efforts to identify, assess and make determinations of effect on the impacts of the proposed Project on Historic Properties.

I would appreciate your review of the FCC Form 620 Submission Packet and the data contained therein with regard to the above referenced Project. Upon completion of your review please forward your comments in a letter directed to the address noted above. Please do not hesitate to contact me if you have any questions regarding the proposed project or any information contained within the Submission Packet.

Sincerely,



Daniel M. Schweigard
Project Manager/Environmental Scientist
DSchweigard@infinigy.com

Attachments

1. Resumes / Vitae
2. Additional Site Information
3. Tribal and NHO Involvement
4. Local Government
5. Public Involvement
6. Area of Potential Effects / Photographs
7. Maps

New Tower ("NT") Submission Packet

FCC FORM 620

Introduction

The **NT Submission Packet** is to be completed by or on behalf of Applicants to construct new antenna support structures by or for the use of licensees of the Federal Communications Commission ("FCC"). **The Packet (including Form 620 and attachments) is to be submitted to the State Historic Preservation Office ("SHPO") or to the Tribal Historic Preservation Office ("THPO"), as appropriate, before any construction or other installation activities on the site begin. Failure to provide the Submission Packet and complete the review process under Section 106 of the National Historic Preservation Act ("NHPA")¹ prior to beginning construction may violate Section 110(k) of the NHPA and the Commission's rules.**

The instructions below should be read in conjunction with, and not as a substitute for, the "Nationwide Programmatic Agreement for Review of Effects on Historic Properties for Certain Undertakings Approved by the Federal Communications Commission," dated September 2004, ("Nationwide Agreement") and the relevant rules of the FCC (47 C.F.R. §§ 1.1301-1.1319) and the Advisory Council on Historic Preservation ("ACHP") (36 C.F.R. Part 800).²

Exclusions and Scope of Use

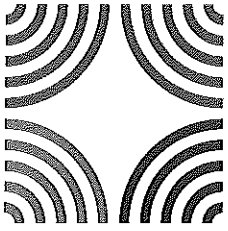
The NT Submission Packet should not be submitted for undertakings that are excluded from Section 106 Review. The categories of new tower construction that are excluded from historic preservation review under Section 106 of the NHPA are described in Section III of the Nationwide Agreement.

Where an undertaking is to be completed but no submission will be made to a SHPO or THPO due to the applicability of one or more exclusions, the Applicant should retain in its files documentation of the basis for each exclusion should a question arise as to the Applicant's compliance with Section 106.

¹ 16 U.S.C. § 470f.

² Section II.A.9. of the Nationwide Agreement defines a "historic property" as: "Any prehistoric or historic district, site, building, structure, or object included in, or eligible for inclusion in, the National Register maintained by the Secretary of the Interior. This term includes artifacts, records, and remains that are related to and located within such properties. The term includes properties of traditional religious and cultural importance to an Indian tribe or Native Hawaiian Organization that meet the National Register criteria."

Applicant's Name: Florida Tower Partners
Project Name: North Haven
Project number: 226-003



Connecticut Commission on Culture & Tourism

March 12, 2009

Historic Preservation
and Museum Division

One Constitution Plaza
Second Floor
Hartford, Connecticut
06103

860.256.2800
860.256.2763 (f)

Mr. Daniel M. Schweigard
Infinity Engineering & Surveying
11 Herbert Drive
Latham, NY 12110

Subject: Telecommunications Facilities
50 Devine Street
North Haven, CT
Infinity #226-003

Dear Mr. Schweigard:

The State Historic Preservation Office has reviewed the above-named project. This office expects that the proposed undertaking will have no effect on historic, architectural, or archaeological resources listed on or eligible for the National Register of Historic Places.

This office appreciates the opportunity to have reviewed and commented upon the proposed undertaking.

This comment is provided in accordance with the National Historic Preservation Act and the Connecticut Environmental Policy Act.

For further information, please contact Dr. David A. Poirier, Staff Archaeologist.

Sincerely,

David Bahlman
Deputy State Historic Preservation Officer

CONNECTICUT

www.cultureandtourism.org

NT SUBMISSION PACKET – FCC FORM 620

Approved by OMB
3060-1039
Estimated Time Per Response:
.5 to 10 hours

The NT Submission Packet is to be used only for the construction of new antenna support structures. Antenna collocations that are subject to Section 106 review should be submitted using the Collocation (“CO”) Submission Packet (FCC Form 621).

General Instructions: NT Submission Packet

Fill out the answers to Questions 1-5 on Form 620 and provide the requested attachments. Attachments should be numbered and provided in the order described below.

For ease of processing, provide the Applicant’s Name, Applicant’s Project Name, and Applicant’s Project Number in the lower right hand corner of each page of Form 620 and attachments.³

1. Applicant Information

Full Legal Name of Applicant: Florida Tower Partners, LLC

Name and Title of Contact Person: Brett Buggeln, President

Address of Contact Person (including Zip Code):
401 North Cattlemen Road, Suite 305 Sarasota, FL 34232

Phone: (941) 371-8977 Fax: (941) 371-8966

E-mail address: bbuggeln@ftptowers.com

2. Applicant's Consultant Information

Full Legal Name of Applicant's Section 106 Consulting Firm:
Heritage Consultants, LLC

Name of Principal Investigator: David A. George, M.A., R.P.A.

Title of Principal Investigator: Project Manager/Supervisory Archaeologist

³ Some attachments may contain photos or maps on which this information can not be provided.

Applicant's Name: Florida Tower Partners
Project Name: North Haven
Project number: 226-003

NT SUBMISSION PACKET – FCC FORM 620

Approved by OMB
3060-1039
Estimated Time Per Response:
.5 to 10 hours

Investigator's Address: 877 Main Street

City: Newington State CT Zip Code 06111

Phone: (860) 667-3001 Fax: (860) 667-3008

E-mail Address: info@heritage-consultants.com

Does the Principal Investigator satisfy the Secretary of the Interior's Professional Qualification Standards?⁴ **YES**

Areas in which the Principal Investigator meets the Secretary of the Interior's Professional Qualification Standards: Archaeologist

Other "Secretary of the Interior qualified" staff who worked on the Submission Packet (provide name(s) as well as well as the area(s) in which they are qualified):

3. Site Information

a. Street Address of Site: 50 Devine Street

City or Township: North Haven

County / Parish: New Haven State: CT Zip Code: 06473

b. Nearest Cross Roads: State Street / Route 5

c. NAD 83 Latitude/Longitude coordinates (to tenth of a second):

⁴ The Professional Qualification Standards are available on the cultural resources webpage of the National Park Service, Department of the Interior: <http://www.cr.nps.gov/local-law/arch_stnds_9.htm>. The Nationwide Agreement requires use of Secretary-qualified professionals for identification and evaluation of historic properties within the APE for direct effects, and for assessment of effects. The Nationwide Agreement encourages, but does not require, use of Secretary-qualified professionals to identify historic properties within the APE for indirect effects. See Nationwide Agreement, §§ VI.D.1.d, VI.D.1.e, VI.D.2.b, VI.E.5.

Applicant's Name: Florida Tower Partners
Project Name: North Haven
Project number: 226-003

NT SUBMISSION PACKET – FCC FORM 620

Approved by OMB
3060-1039
Estimated Time Per Response:
.5 to 10 hours

N 41° 22' 39.36"; W 072° 52' 33.78"

d. Proposed tower height above ground level:⁵ _____ feet; _____ meters

e. Tower type:

guyed lattice tower self-supporting lattice monopole

other (briefly describe tower) _____

4. Project Status:⁶

a. Construction not yet commenced;

b. Construction commenced on [date] _____; or,

c. Construction commenced on [date] _____ and was completed on [date] _____.

5. Applicant's Determination of Effect:

a. Direct Effects (check one):

i. No Historic Properties in Area of Potential Effects ("APE") for direct effects;

ii. "No effect" on Historic Properties in APE for direct effects;

iii. "No adverse effect" on Historic Properties in APE for direct effects;

iv. "Adverse effect" on one or more Historic Properties in APE for direct effects.

b. Visual Effects (check one):

i. No Historic Properties in Area of Potential Effects ("APE") for visual effects;

ii. "No effect" on Historic Properties in APE for visual effects;

iii. "No adverse effect" on Historic Properties in APE for visual effects;

⁵ Include top-mounted attachments such as lightning rods.

⁶ Failure to provide the Submission Packet and complete the review process under Section 106 of the NHPA prior to beginning construction may violate Section 110(k) of the NHPA and the Commission's rules. See Section X of the Nationwide Agreement.

Applicant's Name: Florida Tower Partners
Project Name: North Haven
Project number: 226-003

NT SUBMISSION PACKET – FCC FORM 620

Approved by OMB
3060-1039
Estimated Time Per Response:
.5 to 10 hours

- iv. [] “Adverse effect” on one or more Historic Properties in APE for visual effects.

Certification and Signature

I certify that all representations on this FCC Form 620 and the accompanying attachments are true, correct, and complete.

Daniel M. Schweigard
Signature

4/6/09
Date

Daniel M. Schweigard
Printed Name

Project Manager
Title

WILLFUL FALSE STATEMENTS MADE ON THIS FORM OR ANY ATTACHMENTS ARE PUNISHABLE BY FINE AND/OR IMPRISONMENT (U.S. Code, Title 18, Section 1001) AND/OR REVOCATION OF ANY STATION LICENSE OR CONSTRUCTION PERMIT (U.S. Code, Title 47, Section 312(a)(1) AND/ OR FORFEITURE (U.S. Code, Title 47, Section 503).

Applicant's Name: Florida Tower Partners
Project Name: North Haven
Project number: 226-003

Attachments

Provide the following attachments in this order and numbered as follows:

Attachment 1. Résumés / Vitae.

Provide a current copy of the résumé or curriculum vitae for the Principal Investigator and any researcher or other person who contributed to, reviewed, or provided significant input into the research, analysis, writing or conclusions presented in the Submission Packet for this proposed facility.

A current copy of the résumé or curriculum vitae for the Principal Investigator and any researcher or other person who contributed to, reviewed, or provided significant input into the research, analysis, writing or conclusions presented in the Submission Packet for this proposed facility is attached.

Attachment 2. Additional Site Information

Describe any additional structures, access roads, utility lines, fences, easements, or other construction planned for the site in conjunction with the proposed facility.

The Subject Property for the proposed telecommunications facility, located at 50 Devine Street, is situated within an industrial/commercial area. The area surrounding the Subject Property is composed primarily of commercial and industrial uses and limited residential structures. The Subject Property is within a highly urbanized and developed area.

The Subject Property consists of a ±6.0 acre parent parcel of land, specifically, the proposed eighty by eighty foot (80' X 80') compound and surrounding lease area, zoned as General Industrial. The parent parcel is located between the former Humphrey Chemical Company, active portions of both ConRail and Amtrak Rail Lines and a vacant lot identified as "60 Devine Street" in the Town of North Haven, New Haven County, Connecticut.

Florida Tower Partners Proposes to install a 150-foot monopole proximate to the eastern boundary of the Subject Property, adjacent to the eastern edge of existing pavement, in an area of known excavation and fill. The tower will be situated in the center of the 70-foot by 70-foot fenced equipment compound area. The proposed tower and fenced equipment compound are designed to provide space for future carrier's equipment and antenna structures. Access to the telecommunications facility will be from the existing paved parking areas. The proposed access and utility easement consists of a 15-foot wide access area and a 15-foot by 20-foot turn around area.

Attachment 3. Tribal and NHO Involvement

At an early stage in the planning process, the Nationwide Agreement requires the Applicant to gather information from appropriate Indian Tribes or Native Hawaiian Organizations (“NHOs”) to assist in the identification of historic properties of religious and cultural significance to them. Describe measures taken to identify Indian tribes and NHOs that may attach religious and cultural significance to historic properties that may be affected by the undertaking within the Areas of Potential Effects (“APE”) **for direct and visual effects**. If such Indian tribes or NHOs were identified, list them and provide a summary of contacts by either the FCC, the Applicant, or the Applicant’s representative. Provide copies of relevant documents, including correspondence. If no such Indian tribes or NHOs were identified, please explain.

Infinigy utilized the Tower Construction Notification System (TCNS) to assist in the identification of historic properties of religious significance to Indian Tribes and National Hawaiian Organizations (NHOs). On December 28, 2008 Infinigy initiated contact through the TCNS. The Indian tribes and NHOs that were identified through the TCNS process are included in Attachment 3. Any additional required Indian Tribe or NHO correspondence will be completed via the accepted methods identified the Indian Tribes and NHOs.

Attachment 4. Local Government

a. Has any local government agency been contacted and invited to become a consulting party pursuant to Section V.A. of the Nationwide Agreement? If so, list the local government agencies contacted. Provide a summary of contacts and copies of any relevant documents (e.g., correspondence or notices).

The North Haven Historical Society (NHHS) and the Town of North Haven Planning and Zoning Departments (NH PD/ZD) have been invited to comment on any associated potential effects with regard to Historic Properties as well as indicate whether they would like to consult further on the proposed Project. A copy of our correspondence with the NHHS and the NH PD/ZD is attached.

As of the date of the submission of this package, Infinigy has not received any correspondence with the regard to the Proposed Project.

b. If a local government agency will be contacted but has not been to date, explain why and when such contact will take place.

Attachment 5. Public Involvement

Describe measures taken to obtain public involvement in this project (e.g., notices, letters, or public meetings). Provide copies of relevant documentation.

Attached please find a copy of the legal notice regarding the Proposed Project that was posted in the New Haven register on February 6, 2009. As of the date of this submission packet no comments regarding this public notice have been received by Infinigy. Should a response be received, copies will be forwarded to all consulting parties as an addendum to this submission packet.

Attachment 6. Additional Consulting Parties

List additional consulting parties that were invited to participate by the Applicant, or independently requested to participate. Provide any relevant correspondence or other documents.

To date, no additional consulting parties have been identified by Infinigy.

Attachment 7. Areas of Potential Effects

a. Describe the APE for direct effects and explain how this APE was determined.

The NPA defines "Direct Effects" as the "area of potential ground disturbance and any property, or any portion thereof that will be physically altered or destroyed by the Undertaking".

Mr. David George, Archaeologist with Integrated Historic Preservation Planning, completed a visual inspection of the property and determined that the APE for Direct Effects is limited to the Subject Property boundary.

b. Describe the APE for visual effects and explain how this APE was determined.

The NPA defines "Potential Effects" as the geographic area in which the Undertaking has the potential to introduce visual elements that diminish or alter the setting, including the landscape, where the setting is a character defining feature of a Historic Property that makes it eligible for listing on the National Register". The presumed APE for Visual Effects for construction of new facilities is the area from which the tower will be visible:

- 1. within one half of one mile from the tower site if the proposed tower is 200 feet or less in overall height;*
- 2. within ¾ of one mile from the tower site if the proposed tower is more than 200 feet but no more than 400 feet in overall height; or*
- 3. within one and one half miles from the proposed tower height if the proposed tower height is more than 400 feet in overall height.*

The proposed Tower height is less than 200 feet in overall height and therefore, the presumed APE for visual effects is one half of one mile for the Proposed Project.

Attachment 8. Historic Properties Identified in the APE for Visual Effects

- a. Provide the name and address (including U.S. Postal Service ZIP Code) of each property in the APE for visual effects that is listed in the National Register, has been formally determined eligible for listing by the Keeper of the National Register, or is identified as considered eligible for listing in the records of the SHPO/THPO, pursuant to Section VI.D.1.a. of the Nationwide Agreement.⁷

Based upon Mr. George's review of the GIS data obtained from the Connecticut State Historic Preservation Office, as well as historic maps, aerial photographs and topographic quadrangles, no archaeological resources are located within or within close proximity to the APE for Potential effects.

- b. Provide the name and address (including U.S. Postal Service ZIP Code) of each Historic Property in the APE for visual effects, not listed in Attachment 8a, identified through the comments of Indian Tribes, NHOs, local governments, or members of the public. Identify each individual or group whose comments led to the inclusion of a Historic Property in this attachment. For each such property, describe how it satisfies the criteria of eligibility (36 C.F.R. Part 63).

As of the date of this report, Infinigy has not received comments from Indian Tribes, NHOs, local governments, or members of the public that identify Historic Properties in the APE for visual effects that are not listed in Attachment 8a.

- c. For any properties listed on Attachment 8a that the Applicant considers no longer eligible for inclusion in the National Register, explain the basis for this recommendation.

As stated, no archaeological resources were identified during Mr. George's review of the APE for Potential Effects. Additionally, as of the date of this report, Infinigy has not received comments from Indian Tribes, NHOs, local governments, or members of the public that identify Historic Properties in the APE for visual effects that are not listed in Attachment 8a.

⁷ Section VI.D.1.a. of the Nationwide Agreement requires the Applicant to review publicly available records to identify within the APE for visual effects: i) properties listed in the National Register; ii) properties formally determined eligible for listing by the Keeper of the National Register; iii) properties that the SHPO/THPO certifies are in the process of being nominated to the National Register; iv) properties previously determined eligible as part of a consensus determination of eligibility between the SHPO/THPO and a Federal Agency or local government representing the Department of Housing and Urban Development (HUD); and, v) properties listed in the SHPO/THPO Inventory that the SHPO/THPO has previously evaluated and found to meet the National Register criteria, and that are identified accordingly in the SHPO/THPO Inventory.

Attachment 9. Historic Properties Identified in the APE for Direct Effects

- a. List all properties identified in Attachment 8a or 8b that are within the APE for direct effects.

Based upon Mr. George's investigation of the Proposed Project Site, no Historic Properties were identified within the APE for Direct Effects.

- b. Provide the name and address (including U.S. Postal Service ZIP Code) of each property in the APE for direct effects, not listed in Attachment 9a, that the Applicant considers to be eligible for listing in the National Register as a result of the Applicant's research. For each such property, describe how it satisfies the criteria of eligibility (36 C.F.R. Part 63). For each property that was specifically considered and determined not to be eligible, describe why it does not satisfy the criteria of eligibility.

Based on a review of the photographs, maps and information contained within this report, Mr. George has evaluated each property in the APE for direct effects, not listed in Attachment 9a, according to the National Register of Historic Places criteria of eligibility (36 CFR Part 63) and determined that there are no properties considered eligible for listing in the National Register of Historic Places. Mr. George's report states that "a visual inspection by Heritage Consultant's, LLC of the proposed tower location revealed that the land surface is very irregular and it contains evidence of previous ground disturbance, fill episodes, soil beams, and modern debris." Additionally Mr. George's report states that "a review of soils located in the region indicates that the proposed telecommunications facility is located a soil polygon 306, which is classified as Udorthents/Urban Land."

According to the report prepared by Mr. George, Udorthents/Urban Land have undergone intense disturbance and large scale reorganization of the underlying soil profile. Mr. George's review of aerial photography also revealed the presence of filled wetland areas in the proposed project area. Consequently, Mr. George concluded that "due to the degree of disturbances noted within the currently proposed project area, it is highly unlikely that intact cultural remains exist within the Area of Potential Effect."

- c. Describe the techniques and the methodology, including any field survey, used to identify historic properties within the APE for direct effects.⁸ If no archeological field survey was performed, provide a report substantiating that: i) the depth of previous disturbance exceeds the proposed construction depth (excluding footings and other anchoring mechanisms) by at least 2 feet; or, ii) geomorphological evidence

⁸ Pursuant to Section VI.D.2.a. of the Nationwide Agreement, Applicants shall make a reasonable and good faith effort to identify above ground and archeological historic properties, including buildings, structures, and historic districts, that lie within the APE for direct effects. Such reasonable and good faith efforts may include a field survey where appropriate.

indicates that cultural resource-bearing soils do not occur within the project area or may occur but at depths that exceed 2 feet below the proposed construction depth.⁹

As noted in Attachments 9a, Mr. George completed an evaluation of the Proposed Project site for the potential presence of containing archaeological resources. Please refer to the attached report documenting the findings of this project review by a qualified Archaeologist including a description of the techniques and the methodology used to indentify Historic Properties within the APE for Direct Effects. This report concludes that “due to the degree of disturbances noted within the currently proposed project area, it is highly unlikely that intact cultural remains exist within the Area of Potential Effect”. Furthermore, Mr. George’s report states that “additional archaeological investigations of the proposed telecommunications tower located at 50 Devine Street in North Haven, Connecticut are not warranted.”

Attachment 10. Effects on Identified Properties

For each property identified as a Historic Property in Attachments 8 and 9:

a. Indicate whether the Applicant believes the proposed undertaking would have a) no effect; b) no adverse effect; or, c) an adverse effect. Explain how each such assessment was made. Provide supporting documentation where necessary.]

Based upon Mr. George’s Preliminary Archeological Assessment, the results of any comments received from Indian Tribes, NHOs, local governments, or members of the public that identify Historic Properties in the Area of Potential Effects that are not listed in Attachment 8a, and the results of Mr. George’s evaluation of each property in the Area of Potential Effects, not listed in Attachment 9a, according to the National Register of Historic Places criteria of eligibility (36 CFR Part 63), Infinigy finds that no Historic Properties will be affected by the proposed undertaking. We request your concurrence with this determination.

b. Provide copies of any correspondence and summaries of any oral communications with the SHPO/THPO.

As of the date of this report there has been no correspondence with the SHPO/THPO.

c. Describe any alternatives that have been considered that might avoid, minimize, or mitigate any adverse effects. Explain the Applicant’s conclusion regarding the feasibility of each alternative.

As noted in Attachment 10a, no effects are expected as a result of the proposed facility; therefore, alternatives that might avoid, minimize or mitigate any adverse effects need not be considered.

⁹ Under Section VI.D.2.d. of the Nationwide Agreement, an archeological field survey is required even if one of these conditions applies, if an Indian tribe or NHO provides evidence that supports a high probability of the presence of intact archeological Historic Properties within the APE for direct effects.

Attachment 11. Photographs

Except in cases where no Historic Properties were identified within the Areas of Potential Effects, submit photographs as described below. Photographs should be in color, marked so as to identify the project, keyed to the relevant map (see Item 12 below) or text, and dated; the focal length of the lens should be noted. The source of any photograph included but not taken by the Applicant or its consultant (including copies of historic images) should be identified on the photograph.

- a. Photographs taken from the tower site showing views from the proposed location in all directions. The direction (e.g., north, south, etc.) should be indicated on each photograph, and, as a group, the photographs should present a complete (360 degree) view of the area around the proposed tower.
- b. Photographs of all listed and eligible properties within the Areas of Potential Effects.
- c. If any listed or eligible properties are visible from the proposed tower site, photographs looking at the tower site from each historic property. The approximate distance in feet (meters) between the site and the historic property should be included.
- d. Aerial photos of the APE for visual effects, if available.

Please see the attached Photographs of the Proposed Project Site, which were taken by Mr. Daniel Schweigard on December 16, 2009. View and directions of photographs are noted on each photo log.

Attachment 12. Maps

Include one or more 7.5-minute quad USGS topographical maps that:

- a. Identify the Areas of Potential Effects for both direct and visual effects. If a map is copied from the original, include a key with name of quad and date.
- b. Show the location of the proposed tower site and any new access roads or other easements including excavations.
- c. Show the locations of each property listed in Attachments 8 and 9.
- d. Include keys for any symbols, colors, or other identifiers.

Maps are included in Attachment 8 of this Submission Packet.

NT SUBMISSION PACKET – FCC FORM 620

Approved by OMB
3060-1039

Estimated Time Per Response:
.5 to 10 hours

Attribution and Bibliographic Standards. All reports included in the Submission Packet should be footnoted and contain a bibliography of the sources consulted.

- a. Footnotes may be in a form generally accepted in the preparer's profession so long as they identify the author, title, publisher, date of publication, and pages referenced for published materials. For archival materials/documents/letters, the citation should include author, date, title or description and the name of the archive or other agency holding the document.
- b. A bibliography should be appended to each report listing the sources of information consulted in the preparation of the report. The bibliography may be in a form generally accepted in the preparer's profession.

A bibliography detailing sources reviewed and cited is included in Mr. Georges report.

FCC NOTICE TO INDIVIDUALS REQUIRED BY THE PRIVACY ACT AND THE PAPERWORK REDUCTION ACT

The FCC is authorized under the Communications Act of 1934, as amended, to collect the personal information we request in this form. We will use the information provided in the application to determine whether approving this application is in the public interest. If we believe there may be a violation or potential violation of a FCC statute, regulation, rule or order, your application may be referred to the Federal, state or local agency responsible for investigating, prosecuting, enforcing or implementing the statute, rule, regulation or order. In certain cases, the information in your application may be disclosed to the Department of Justice or a court or adjudicative body when (a) the FCC; (b) any employee of the FCC; or (c) the United States Government is a party to a proceeding before the body or has an interest in the proceeding. In addition, all information provided in this form will be available for public inspection.

If you owe a past due debt to the federal government, any information you provide may also be disclosed to the Department of Treasury Financial Management Service, other federal agencies and/or your employer to offset your salary, IRS tax refund or other payments to collect that debt. The FCC may also provide this information to these agencies through the matching of computer records when authorized.

If you do not provide the information requested on this form, the application may be returned without action having been taken upon it or its processing may be delayed while a request is made to provide the missing information. Your response is required to obtain the requested authorization.

We have estimated that each response to this collection of information will take an average of .50 to 10 hours. Our estimate includes the time to read the instructions, look through existing records, gather and maintain the required data, and actually complete and review the form or response. If you have any comments on this estimate, or on how we can improve the collection and reduce the burden it causes you, please write the Federal Communications Commission, AMD-PERF, Paperwork Reduction Project (3060-1039), Washington, DC 20554. We will also accept your comments via the Internet if you send them to Judith-B.Herman@fcc.gov. Please **DO NOT SEND COMPLETED APPLICATIONS TO THIS ADDRESS**. Remember - you are not required to respond to a collection of information sponsored by the Federal government, and the government may not conduct or sponsor this collection, unless it displays a currently valid OMB control number of if we fail to provide you with this notice. This collection has been assigned an OMB control number of 3060-1039.



INTEGRATED HISTORIC PRESERVATION PLANNING

January 23, 2009

Mr. Daniel Schweigard
Environment Services Projects Manager
Infinigy Engineering, PLLC
11 Herbert Drive
Latham, New York 12110

RE: Preliminary Archeological Assessment of a Proposed Telecommunications Facility Located at 50 Devine Street in North Haven, Connecticut

Mr. Schweigard:

Heritage Consultants, LLC, is pleased to have this opportunity to provide Infinigy Engineering, PLLC with the following preliminary archeological assessment of the proposed cellular telecommunications tower located at 50 Devine Street in North Haven, Connecticut (Figure 1). The current project entailed completion of an existing conditions cultural resources summary based on the examination of GIS data obtained from the Connecticut State Historic Preservation Office, as well as historic maps, aerial photographs, and topographic quadrangles maintained by Heritage Consultants, LLC. This investigation is based upon project location information provided to Heritage Consultants, LLC by Infinigy Engineering, PLLC. The objectives of this study were: 1) to gather and present data regarding previously identified cultural resources situated within the vicinity of the Area of Potential Effect; 2) to investigate the proposed project parcel in terms of its natural and historical characteristics; and 3) to evaluate the need for completing additional cultural resources investigations.

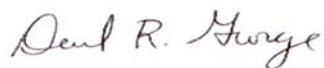
Figures 2 and 3, which consist of maps dating from 1852 and 1868, respectively, show that the proposed telecommunications facility is located in the vicinity of the regional transportation network during the mid to late nineteenth century, specifically near several major thoroughfares and the New Haven and Hartford Railroad line. These images also show that this was a mixed-use area that contained both residences and several large commercial facilities, including several brickyards; however, the 1852 and 1868 maps do not show any historic buildings on the site of the proposed telecommunications facility. In addition, Figure 4, which is an aerial image dating from 1934, shows the region containing the Area of Potential Effect during the early portion of the twentieth century. This image confirms that no historic buildings were located within the Area of Potential Effect at this time; it also indicates that the area containing the proposed project items remained undeveloped as of the early twentieth century. Figures 5 and 6, aerial images dating from 1940 and 1951, respectively, indicate that the Area of Potential Effect had been cleared and a nearby industrial building had been built by the middle of the twentieth century. The building remains in place today and it situated immediately to the west of the proposed project area. Figures 7 and 8, which consist of aerial images dating from 1970 and 1995, respectively, show that the area adjacent to the proposed tower location continued to be used for industrial purposes. These two images also suggest that disturbances to the Area of Potential Effect occurred within this timeframe, as industrial use of the area expanded. Finally, an aerial photograph taken during 2004 shows that the project

area now lies immediately adjacent to a paved parking lot associated with the above-referenced industrial building (Figure 9).

A review of previously recorded cultural resources resulted in the identification of four previously recorded archeological sites (101-12, 101-16, 101-17, and 101-20) situated within the region containing of the proposed cellular communications tower (Figure 10). Despite their presence in the larger region, none of these archaeological resources are located within or in close proximity to the Area of Potential Effect. Representatives from Heritage Consultants, LLC visited the Area of Potential Effect and completed a pedestrian survey of the project parcel to confirm the results of the analysis of historic maps, aerial images, and archaeological site information. Visual inspection of the proposed tower location revealed that the land surface is very irregular and it contains evidence of previous ground disturbance, fill episodes, soil berms, and modern debris. Construction plans also call for use of an existing parking area to the west as access to the proposed lease area. This parking lot consists of asphalt and has already been disturbed. Finally, a review of soils located in the region indicates that the proposed telecommunications facility is located within a soil polygon 306, which is classified as "Udorthents/Urban Land" (Figure 11) This type of soil is typical of areas that have undergone intense disturbance and large-scale reorganization of the underlying soil profile. The sequence of aerial images also suggests that the landform currently under consideration is comprised of filled wetlands. Udorthents/Urban Land can be classified as retaining little, if any, potential to yield intact subsurface archaeological deposits.

In sum, due to the degree of disturbances noted within the currently proposed project area, it is highly unlikely that intact cultural remains exist within the Area of Potential Effect. It is the professional opinion of Heritage Consultants, LLC that additional archeological investigations of the proposed telecommunications tower located at 50 Devine Street in North Haven, Connecticut are not warranted. If you have any questions regarding this Technical Memorandum, or if we may be of additional assistance with this or any other projects you may have, please do not hesitate to call us at 860-667-3001 or email us info@heritage-consultants.com. We are at your service.

Sincerely,



David R. George, M.A., R.P.A

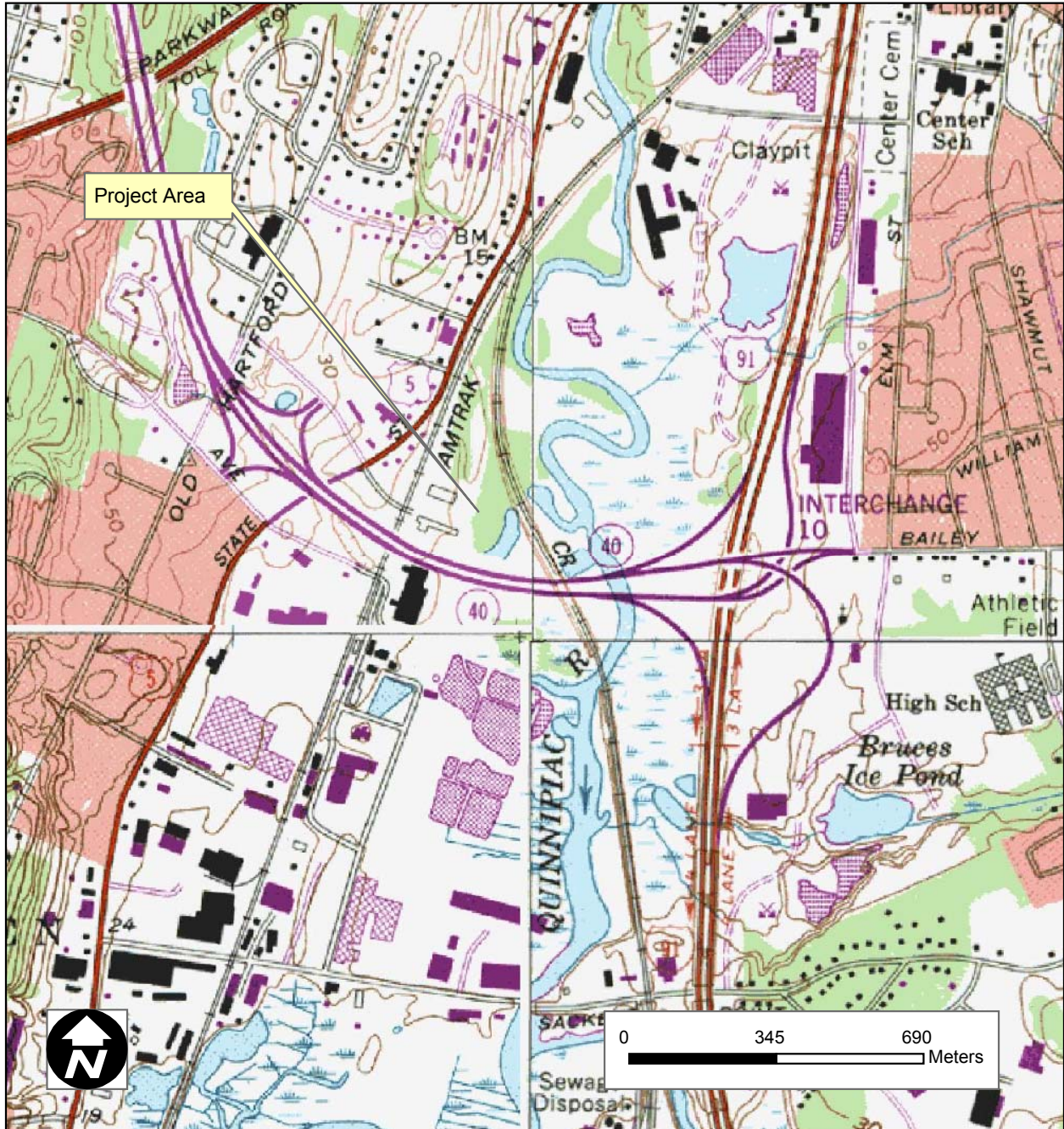


Figure 1. Excerpt from a recent USGS topographical quadrangle depicting the proposed tower location.



Figure 2. Excerpt from an 1852 historic map depicting the proposed tower location.

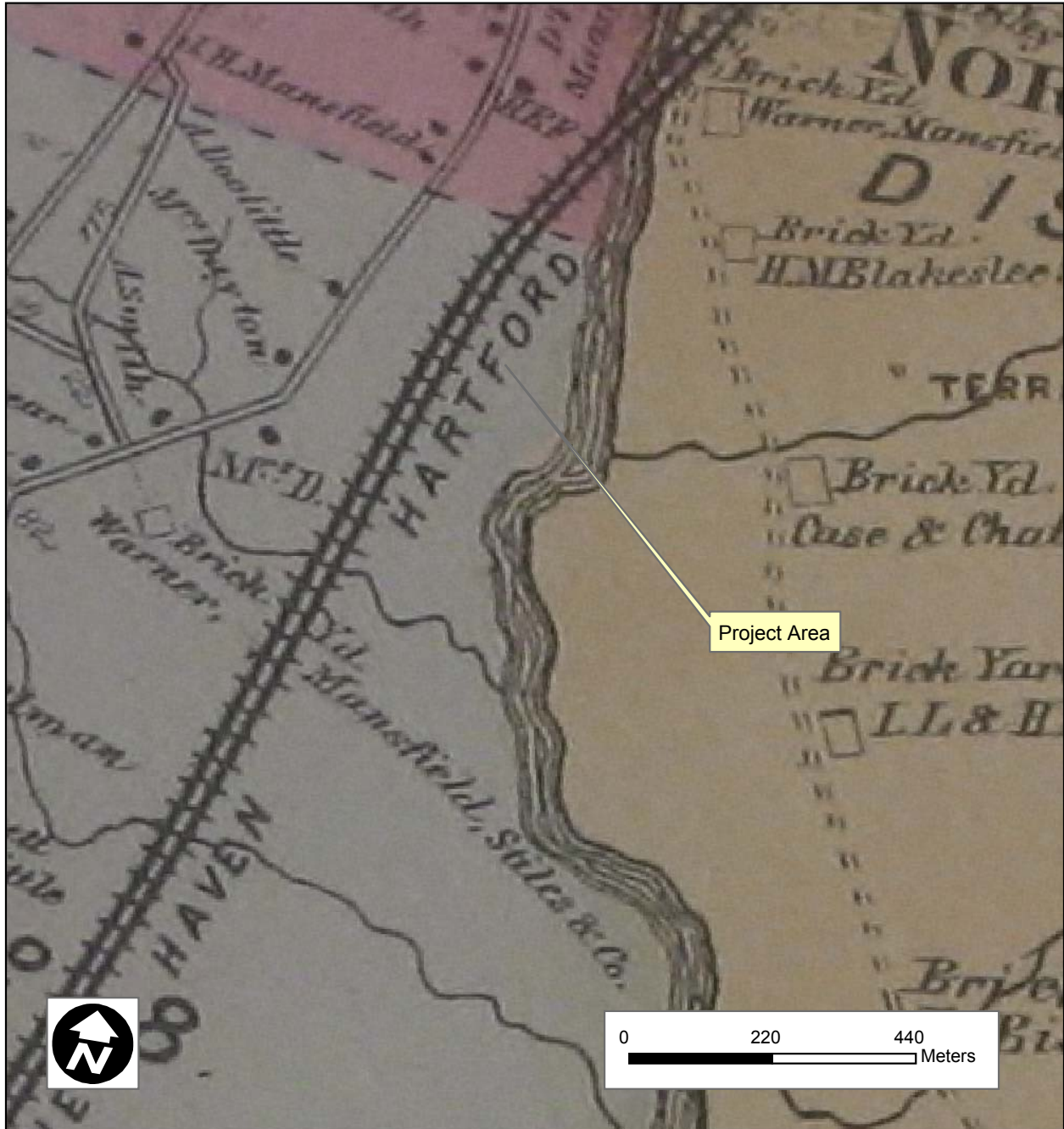


Figure 3. Excerpt from an 1868 historic map depicting the proposed tower location.



Figure 4. Excerpt from a 1934 aerial image depicting the proposed tower location.



Figure 5. Excerpt from a 1940 aerial image depicting the proposed tower location.



Figure 6. Excerpt from a 1951 aerial image depicting the proposed tower location.



Figure 7. Excerpt from a 1970 aerial image depicting the proposed tower location.



Figure 8. Excerpt from a 1995 aerial image depicting the proposed tower location.



Figure 9. Excerpt from a 2004 aerial image depicting the proposed tower location.

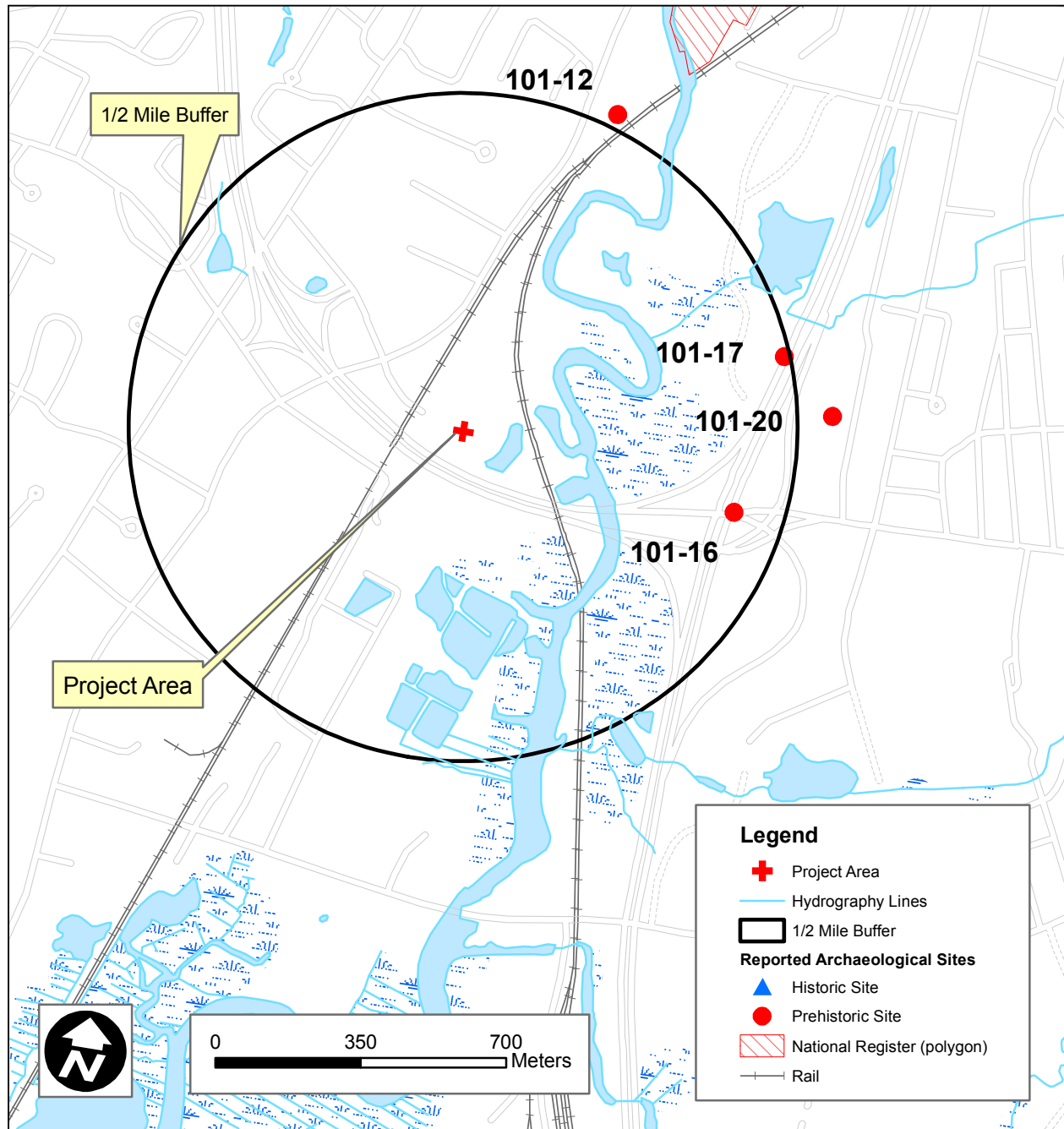


Figure 10. A digital map depicting all of the previously recorded archaeological sites and National Register of Historic Places properties situated within the immediate vicinity of the proposed tower location.

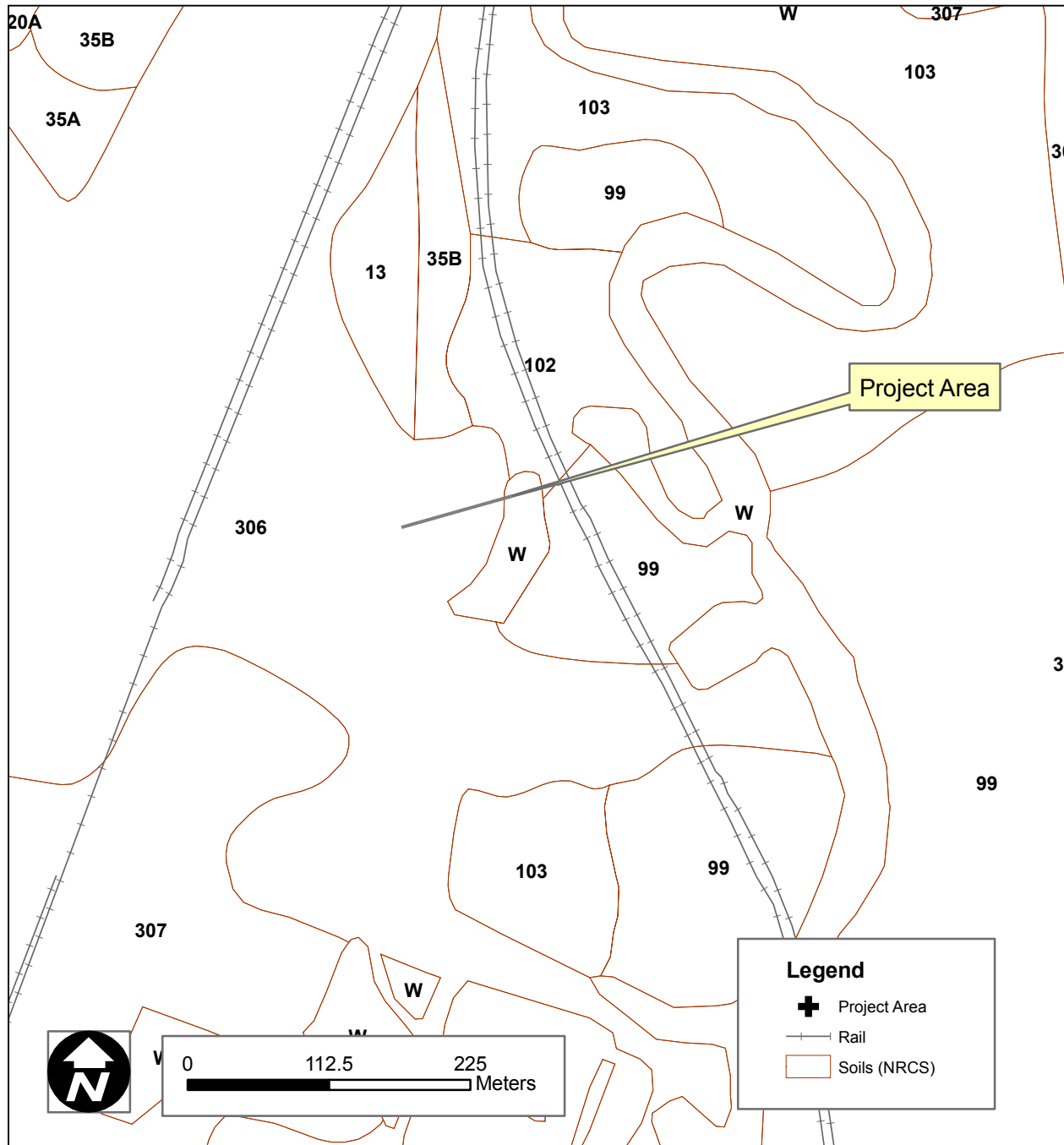


Figure 11. A digital map depicting the various soil types located in the project region (note that soil code 306 consists of Udorthents/Urban Land).



DAVID R. GEORGE, M.A, R.P.A.
PROJECT MANAGER & SUPERVISORY ARCHAEOLOGIST

EDUCATION

Bachelor of Science in Business Management, Ithaca College, Ithaca, New York, 1990.
Master of Arts in Anthropology, University of Connecticut, Storrs, Connecticut, 1992.
Introduction to Federal Projects and Historic Preservation Law, Section 106 Compliance, 1999.
Federal Energy Regulatory Commission, Environmental Report Preparation Seminar, 2003

ACADEMIC AWARDS AND FELLOWSHIPS

Phi Kappa Phi, 1995.
University of Connecticut Anthropology Department Research Assistantship, 1994.
University of Connecticut Anthropology Department Teaching Assistantship, 1991- 1994.
University of Connecticut Anthropology Department Pre-Doctoral Fellowship, 1992.
University of Connecticut Anthropology Department Lectureship, 1991.

PROFESSIONAL EXPERIENCE

Principal Investigator, Heritage Consultants, LLC, February 2004-Present.
Vice President-Archeological Services, Goodwin & Associates, Inc., December 2002-March 2004.
Assistant Vice President, R. Christopher Goodwin & Associates, Inc., May 2001-December 2002.
Senior Project Manager, R. Christopher Goodwin & Associates, Inc., May 2001-November 2001.
Project Manager, R. Christopher Goodwin & Associates, Inc., September 1998-May 2001.
Laboratory Supervisor/Crew Chief, Archaeological and Historical Consultants, Inc., 1996-1998.
Instructor, Department of Anthropology, University of Connecticut, Storrs, 1995-1996.
Field Director/Project Manager, Public Archaeology Survey Team, Inc., 1990-1996.
Field Technician, Office of the Connecticut State Archaeologist, 1990-1996.
Teaching Assistant, Department of Anthropology, University of Connecticut, 1991, 1994.
Field Instructor, Department of Anthropology Fieldschool, University of Connecticut, 1992-1994.

PROFESSIONAL MEMBERSHIPS

Society for American Archeology
Society for Historical Archaeology
Eastern States Archaeological Federation
Register of Professional Archeologists

SPECIAL SKILLS

Environmental Impact Statement/Environmental Assessment Report Preparation
Alternatives Analysis/Corridor Selection Studies
Existing Conditions/Disturbance Investigations
SHPO/Native American Consultation
Geographic Information Systems Applications
Faunal Analysis
Botanical Analysis
Lithic Analysis

INVITED LECTURES & PRESENTATIONS

- 1993a *Excavations at the Blakeslee House: Investigations into 18th Century Domestic Life in Wallingford, Connecticut.* Delivered at the Wallingford Public Library, Connecticut Archaeological Week.
- 1993b *Microscopic Identification of Faunal Remains: Problems and Prospects.* Paper presented at the 60th annual meeting of the Eastern States Archaeological Federation, Bangor, Maine.
- 1993c *The Power Plant Site: A Late Paleoindian Occupation in Ledyard, Connecticut.* Paper presented at the Spring 1993 meeting of the Albert Morgan Archaeological Society, Rocky Hill, Connecticut.
- 1994a *Middle and Late Woodland Period Adaptations at the Cooper Site, Lyme, Connecticut.* Delivered at the Wallingford Public Library, Connecticut Archaeological Week.
- 1994b *Patterns of Premaize Plant Use in the Northeast and the "Eastern Agricultural Complex."* Paper presented at the 34th annual meeting of the Northeastern Anthropological Association, Geneseo, New York.
- 1995a *Late Woodland Subsistence and the Origins of Maize Horticulture in New England.* Paper presented at the 60th annual meeting of the Society for American Archaeology, Minneapolis (with Jefferey Bendremer).
- 1995b *Recognizing Variability in the Archaeobotanical Record of Late Prehistoric New England.* Paper presented at the 62nd annual meeting of the Eastern States Archaeological Federation, Wilmington, Delaware.
- 1995c *Microscopic Identifications of Archaeological Faunal Remains.* Paper presented at the 35th annual Northeastern Regional Meeting of the Geological Society of America, Cromwell, Connecticut (with Daniel Forest).
- 1996a *Prehistoric Chenopodium in Connecticut: Wild, Weedy, Cultivated, or Domesticated?* Paper presented at the Symposium on Archaeobotany, New York Museum of Natural History, Albany, New York (with Robert E. Dewar).

- 1996b *Lithic and Raw Material Procurement and Use at the Late Woodland Period Cooper Site, Lyme, Connecticut.* Paper presented at the joint meeting of the Archaeological Society of Connecticut and the Massachusetts Archaeological Society, Storrs Connecticut (with Christian A. Tryon).
- 1997 *Determining Relevancy: GIS Analysis and Land Management.* Paper presented at the annual meeting of the Council for Northeastern Historical Archaeology, Altoona, Pennsylvania (with William F. Keegan).
- 1998a *The Woodland Period of the Lower Connecticut River Valley: Recognizing Diversity in Cultural Adaptations.* Paper presented at the 63rd annual meeting of the Society for American Archaeology, Seattle.
- 2002 *Archeological Testing and Evaluation of the Braziel Baptist Church Cemetery Complex (16IV49), Iberville Parish, Louisiana.* Delivered at the 35th annual meeting of the Society for Historical Archaeology, Mobile, Alabama (with K. VanWert).
- 2004 *Data Recovery Excavations at the Daniel Benton Homestead in Tolland, Connecticut.* With Catherine Labadia and William Keegan. Presented at the Town of Tolland, Connecticut's Celebration on the Green.
- 2006 *Cast Upon a Reef: Archival Research and Mapping of Shipwrecks in the Connecticut Waters of Long Island Sound.* With Catherine Labadia and William Keegan. Presented at the Annual Meeting of the Archaeological Society of Connecticut.

PUBLICATIONS AND TECHNICAL REPORTS

- 1992a *The Power Plant Site: Analysis of a Paleoindian Occupation on the Mashantucket Pequot Reservation.* Prepared for the Mashantucket Pequot Tribe.
- 1992b *Report on a Phase II Archaeological Survey of Sites 85 - 6, 85 - 8, and 85 - 10. Reconstruction of State Route 111 in Monroe and Trumbull, Connecticut.* Prepared for Connecticut Department of Transportation. Public Archaeology Survey Team, Inc., Storrs.
- 1993a A Comment on the Transition to Food Production in Prehistoric Southern New England. *Archnet.* Electronic text, Homer Babbidge Library, University of Connecticut, Storrs.
- 1993b A Selected Bibliography on the Transition to Agriculture in Southern New England. *Archnet.* Electronic text, Homer Babbidge Library, University of Connecticut, Storrs.
- 1993c A Selected Bibliography on the Transition to Agriculture in the Midcontinental United States. *Archnet.* Electronic text, Homer Babbidge Library, University of Connecticut, Storrs.
- 1993d *Report on Phase I Archaeological Reconnaissance Survey of the Great Swamp Wildlife Refuge South Kingstown, Rhode Island.* Prepared for the Rhode Island Historic Preservation Commission.
- 1993e *Report on FY 1987 Historic Restoration Fund Grant, Archaeological Investigations of Sites 72 - 41, 72 - 85, and 72 - 70B/59.* Prepared for the Mashantucket Pequot Tribe and the Connecticut Historical Commission.

- 1993f *Report on the Analysis of Faunal Materials Recovered from Excavations of a Late Woodland Occupation at the Lambert Farm Site, Warwick, Rhode Island.* Prepared for Dr. Jordan Kerber, Colgate University, New York.
- 1994a Final Report on the Analysis of Faunal Material Recovered from Archaeological Investigations of a Woodland Period Component at the Lambert Farm Site, Warwick, Rhode Island (Appendix C). In *Archaeological Investigations at the Lambert Farm Site, Warwick, Rhode Island: An Integrated Program of Research and Education by the Public Archaeology Laboratory, Inc.*, vol. I, written by J. E. Kerber (1994), pp. 167 - 183. The Public Archaeology Laboratory, Inc., Pawtucket, Rhode Island. Submitted to the Rhode Island Historical Preservation Commission, Providence.
- 1994b Thin-Section Analysis of Faunal Remains: An Internet Resource. *Archnet*. Data archive, Homer Babbidge Library, University of Connecticut, Storrs.
- 1994c *Report on Phase I Archaeological Reconnaissance Survey of a Proposed CONNDOT Maintenance Facility in Fairfield, Connecticut.* Prepared for Deluew, Cather, and Company. Public Archaeology Survey Team, Inc., Storrs.
- 1995a *Report on Phase I Archaeological Reconnaissance Survey for the Reconstruction of Thompson and Avon Old Farms Road in Avon, Connecticut.* Prepared for C. R. Johnson and Associates. Public Archaeology Survey Team, Inc., Storrs.
- 1995b *Report on Phase I Archaeological Reconnaissance Survey of a Proposed CONNDOT Maintenance Facility in Woodstock, CT.* Prepared for the Connecticut Department of Transportation. Public Archaeology Survey Team, Inc., Storrs.
- 1995c *Report on Phase I Archaeological Reconnaissance Survey of a Proposed CONNDOT Maintenance Facility in Newtown, CT.* Prepared for Fuss and O'Neill. Public Archaeology Survey Team, Inc., Storrs.
- 1997a A Long Row to Hoe: The Cultivation of Archaeobotany in Southern New England. *Archaeology of Eastern North America* 25:175 - 190.
- 1997b Late Prehistoric Archaeobotany of Connecticut: Providing a Context for the Transition to Maize Horticulture. *Bulletin of the Archaeological Society of Connecticut* 60:13 - 28.
- 1997c Prehistoric Archaeology of the Great Swamp Basin, South Kingstown, Rhode Island. *Bulletin of the Massachusetts Archaeological Society* 58(2):44 - 56.
- 1997d *Report on Phase I Archaeological Reconnaissance Survey of the Connecticut National Guard Camp Hartell, Camp Rowland, and Stone Ranch.* Prepared for the Connecticut National Guard and the Connecticut Historical Commission. Office of the State Archaeologist, Storrs.
- 1998 *Phase IB Archaeological Survey for the New Cumberland Army Depot, New Cumberland, York County, Pennsylvania.* Centre Hall, Pennsylvania: Archaeological and Historical Consultants, Inc.

- 1999a *Phase I Cultural Resources Survey and Archeological Inventory of the Sharps Relief Wells, Whitehall Relief Wells, and St. Johns Relief Wells Project Items, Concordia Parish, Louisiana.* (with William P. Athens, Susan Barrett Smith, Jeremy Pincoske, Angele Montana, and Dr. Roger Saucier). Submitted by R. Christopher Goodwin & Associates, Inc. to U.S. Army Corps of Engineers, Vicksburg District.
- 1999b *Research Design to Guide Archeological Investigations within the Alhambra to Hohen-Solms and Hohen-Solms to Modeste Levee Enlargement and Concrete Slope Pavement Project.* (with William P. Athens) Submitted by R. Christopher Goodwin & Associates, Inc. to U.S. Army Corps of Engineers, New Orleans District.
- 1999c *Research Design to Guide Archeological Investigations Associated with the Phase I Cultural Resources Survey and Archeological Inventory of the Proposed 9.1 km (5.6 mi) Gulfstream Natural Gas System L.L.C. 36 Inch O.D. Project in Mobile County, Alabama.* (William P. Athens, Ralph Draughon, Jeremy Pincoske, and Dave D. Davis) Submitted by R. Christopher Goodwin & Associates, Inc. to ANR Pipeline Company, Inc.
- 1999d *Research Design to Guide Archeological Investigations Associated with the Phase I Cultural Resources Survey and Archeological Inventory of the Proposed 9.1 km (5.6 mi) Gulfstream Natural Gas System L.L.C. 36 Inch O.D. Project in Jackson County, Mississippi.* (William P. Athens, Ralph Draughon, Jeremy Pincoske, and Dave D. Davis) Submitted by R. Christopher Goodwin & Associates, Inc. to ANR Pipeline Company, Inc.
- 1999e *Phase I Cultural Resources Survey and Archeological Inventory of the Proposed 6km (3.7 mi) Southern Natural Gas Company 16 in O.D. Upson county and West Georgia Generating Meter Station Project Corridor, Upson County, Georgia.* (with Bill Athens, Ralph Draughon, Kari Krause and Jeremy Pincoske) Submitted by R. Christopher Goodwin & Associates, Inc. to Southern Natural Gas Company.
- 1999f *Prehistoric Chenopodium in Connecticut: Wild, Weedy, Cultivated, or Domesticated?* (with Robert E. Dewar) (*Current Northeast Paleoethnobotany*, edited by J. Hart, New York State Museum).
- 1999g Prehistoric Floral and Faunal Use in Connecticut. In *Connecticut Archaeology*, edited by William Keegan and Kristen Keegan. University of Connecticut Press, Storrs.
- 1999h *Phase I Cultural Resources Survey and Archeological Inventory of the Proposed 9.1 km (5.6 mi) Gulfstream Pipeline Project Corridor, Jackson County, Mississippi.* (with William P. Athens, Ralph Draughon, Jr., Jeremy Pincoske, and Dave D. Davis) Submitted by R. Christopher Goodwin & Associates, Inc. to ANR Pipeline Company, Inc.
- 1999i *Phase I Cultural Resources Survey and Archeological Inventory of the Proposed Gulfstream Natural Gas System L.L.C. 36 Inch O.D. Project in Mobile County, Alabama.* (with William P. Athens, Ralph Draughon, Jr., Jeremy Pincoske, Cathy Labadia, and Dave D. Davis) Submitted by R. Christopher Goodwin & Associates, Inc. to ANR Pipeline Company, Inc.
- 1999j *Phase II Archeological Testing and National Register Evaluation for Four Archeological Sites (16BO400, 16CD87, 16CD235, and 16CD239) within the Area of Potential Effect of the Pool 5 Impoundment Area, Bossier and Caddo Parishes, Louisiana* (with Luis Williams, Rebecca Johnson and William P. Athens). Submitted by R. Christopher Goodwin & Associates, Inc. to the U.S. Army Corps of Engineers, Vicksburg District.

- 1999k *Cultural Resources Survey and Inventory, Florida Gas Transmission Phase V Expansion, Gulf Power Lateral, Palmetto Power Lateral, Loop C, Loop D, Loop E, Loop G, Loop H St. Petersburg Lateral, Loop I St. Petersburg Lateral, Jacksonville Loop, and FP&L Lateral.*(with Catherine Labadia, Jeremy Pincoske, Susan Barrett Smith, Ralph B. Draughon, Jr., Charlene Keck, Colleen Hanratty, and William P. Athens) Submitted by R. Christopher Goodwin & Associates, Inc. to Florida Gas Transmission.
- 1999l *Cultural Resources Study Supporting Supplement I to the Final Environmental Impact Statement, Mississippi River Main Line Levee.* (with Dr. Roger Saucier, Susan Barrett Smith, Jeremy Pincoske, William Hayden, Rebecca Johnson, Ryan Crutchfield, William Barr, and William P. Athens.) Submitted by R. Christopher Goodwin & Associates, Inc. to the U.S. Army Corps of Engineers, New Orleans District.
- 2000a *Phase I Cultural Resources Survey and Archeological Inventory of the Proposed State Road 71 (Greenwood Highway) Expansion Corridor from State Road 10 (US 90) to North of the City Limits of Greenwood, in Jackson County, Florida.* (with Catherine Labadia, Katy Coyle, James Hollingsworth, Kari Krause, Jeremy Pincoske, Susan Barrett Smith, and William P. Athens.) Submitted by R. Christopher Goodwin & Associates, Inc. to the Florida Department of Transportation, District III.
- 2000b *Phase I Cultural Resources Survey and Archeological Inventory of the Proposed Southern Natural Gas Company (SNG) SCPL-Urquhart Plant Meter Station, Aiken County, South Carolina.* (with Patrick P. Robblee, Colleen Hanratty, and William P. Athens) Submitted by R. Christopher Goodwin & Associates, Inc. to Southern Natural Gas Company.
- 2000c *Phase I Cultural Resources Survey and Archeological Inventory of the Proposed Southern Natural Gas Company (SNG) South System Expansion Project, Sumter, Perry, Dallas, Autauga, Tallapoosa, Macon, and Lee Counties, Alabama.* (with Patrick P. Robblee, Ralph B. Draughon, Jr., James M. Hollingsworth, Kelley Beavers, Colleen Hanratty, Caroline Wardlaw, and William P. Athens. Submitted by R. Christopher Goodwin & Associates, Inc. to Southern Natural Gas Company.
- 2000d *Phase I Cultural Resources Survey and Archeological Inventory of the Proposed Tennessee Gas Pipeline Company Mississippi 500 Line Expansion Project, Forrest, Jones, Clarke, and Jasper Counties, Mississippi.* (with Ralph B. Draughon, Jr., Kari Krause, Jeremy Pincoske, and William P. Athens) Submitted by R. Christopher Goodwin & Associates, Inc. to Northern Ecological Associates, Inc. and Tennessee Gas Pipeline Company.
- 2000e *Phase I Cultural Resources Survey and Archeological Inventory of the Proposed 19.3 km (12 mi) Long Stretch of Bayou Teche, Iberia Parish, Louisiana.* (with Kari Krause, Katy Coyle, Jeremy Pincoske, and William P. Athens) Submitted by R. Christopher Goodwin & Associates, Inc. to the U.S. Army Corps of Engineers, New Orleans District.
- 2000f *Phase I Cultural Resources Survey and Archeological Inventory of the Proposed 44.6 ha (110.3 ac) Duke Energy North America Enterprise Energy Facility, Clarke County, Mississippi* (with Darryl Byrd, Ralph B. Draughon, Jr., Jeremy Pincoske, Kristin Vanwert, and William P. Athens) Submitted by R. Christopher Goodwin & Associates, Inc. to ENSR Consulting & Engineering.

- 2000g *Phase I Cultural Resources Survey and Archeological Inventory of the 4.94 ha (12.21 ac) Keystone Lock and Dam Project Parcel, St. Martin Parish, Louisiana* (with Kari Krause, Meredith Snead, Katy Coyle and William P. Athens.) Submitted by R. Christopher Goodwin & Associates, Inc. to the U.S. Army Corps of Engineers, New Orleans District.
- 2000h *Phase I Cultural Resources Survey and Archeological Inventory of Two Pipeline Loops (Loop J and Loop K) and 10 Ancillary Use Facilities Associated with the Proposed Florida Gas Transmission Phase V Expansion, FGT Mobile Bay Lateral, Loop A, and Loop B, Gilchrist and Levy Counties, Florida* (with Catherine Labadia, Susan Barrett Smith, David Roth, Kristin Vanwert, James Eberwine, and William P. Athens) Submitted by R. Christopher Goodwin & Associates, Inc. to Florida Gas Transmission Company.
- 2000i *Historical Research and Remote Sensing of the Former Location of the Braziel Baptist Church and Cemetery Complex (Site 16IV49), Iberville Parish, Louisiana* (with Katy Coyle, Kari Krause, Susan Barrett Smith, Ralph Draughon, Jr., James Eberwine, J.B. Pelletier, William Lowthert, and William P. Athens) Submitted by R. Christopher Goodwin & Associates, Inc. to the U.S. Army Corps of Engineers, New Orleans District.
- 2000j *Phase I Cultural Resources Survey and Archeological Inventory of the Proposed Petal Gas Storage Pipeline Project, Forrest, Jones, Clarke and Jasper Counties, Mississippi* (with Kari Krause, Ralph Draughon, Jr., Jeremy Pincoske, and William P. Athens) Submitted by R. Christopher Goodwin & Associates, Inc. to Northern Ecological Associates, Inc.
- 2000k *Phase II Archeological Testing and National Register Evaluation of Four Archeological Sites (16BO400, 16CD87, 16CD235, and 16CD239) Within the Area of Potential Effect of the Pool 5 Impoundment Area, Bossier and Caddo, Parishes, Louisiana* (with William P. Athens, Susan Barrett-Smith, Luis Williams, Rebecca Johnson, and Ralph Draughon, Jr.). Submitted by R. Christopher Goodwin & Associates, Inc. to the U.S. Army Corps of Engineers, Vicksburg District.
- 2000l *Phase I Cultural Resources Survey And Archeological Inventory Of The Proposed 7.56 KM (4.7 MI) 36 Inch O.D. Gulfstream Pipeline Project Corridor, Mobile County, Alabama* (with William P. Athens, Cathy Labadia, Ralph Draughon, Jr., Jeremy Pincoske, Dave D. Davis). Submitted by R. Christopher Goodwin & Associates, Inc. to Gulfstream Natural Gas System, L.L.C.
- 2001a *Phase II National Register Testing and Evaluation of Nine Archeological Sites 22CO573, 22CO726, 22CO773, 22CO774, 22CO775, 22CO776, 22CO777, 22CO778, and 2CO781, Coahoma County, Mississippi* (with Jim Strait, Ralph Draughon, Jr., Jeremy Pincoske, and William P. Athens). Submitted by R. Christopher Goodwin & Associates, Inc. to the Mississippi Department of Transportation, Jackson, Mississippi.
- 2001b *Remote Sensing and Ground-Truthing Investigations at Site 40SW319, Stewart County, Tennessee* (with Sean Coughlin, Meg Thornton, and William P. Athens). Submitted by R. Christopher Goodwin & Associates, Inc. to URS Corporation.
- 2001c *Phase I Cultural Resources Survey and Archeological Inventory Conducted at the Proposed Aiken Meter Station Facility Expansion, Aiken, South Carolina* (with Catherine Labadia, and Kari Krause). Submitted by R. Christopher Goodwin & Associates, Inc. to Southern Natural Gas Company.

- 2001d *Archeological Testing of the Former Location of the Braziel Baptist Church and Cemetery Complex (Site 16IV49) Iberville Parish, Louisiana.* (with Katy Coyle, Kristen Vanwert and William P. Athens). Submitted by R. Christopher Goodwin & Associates, Inc. to the U.S. Army Corps of Engineers, New Orleans District.
- 2002a *Phase I Cultural Resources Survey and Archeological Inventory of the Tennessee Portion of the Proposed Colonial Pipeline Project Corridor, Lincoln, Marshall, Bedford, Rutherford, and Davidson Counties, Tennessee* (with Alicia Ventresca, Katy Coyle, Jeremy Pincoske, Kari Krause and, William P. Athens). Submitted by R. Christopher Goodwin & Associates, Inc. to Colonial Pipeline Company.
- 2002b *Phase I Cultural Resources Survey and Archeological Inventory of the Alabama Portion of the Proposed Colonial Pipeline Project Corridor, Talladega, Calhoun, St. Clair, Blount, Cullman, Marshall, Morgan, Madison, and Limestone Counties, Alabama* (with Catherine Labadia, Alicia Ventresca, Susan Barrett Smith, Jeremy Pincoske, Kari Krause and, William P. Athens). Submitted by R. Christopher Goodwin & Associates, Inc. to Colonial Pipeline Company.
- 2002c *Phase I Cultural Resources Survey and Archeological Inventory of the Segura Staging Area, Iberia Parish, Louisiana* (with Sean Coughlin, Katy Coyle, Jeremy Pincoske, and William P. Athens). Submitted by R. Christopher Goodwin & Associates, Inc. to the U.S. Army Corps of Engineers, New Orleans District.
- 2002d *Phase I Cultural Resources Survey and Archeological Inventory of the Proposed Southern Liquefied Natural Gas (SLNG) Elba Island Expansion Project in Chatham County, Georgia* (with William P. Athens, Kari Krause, Sean Coughlin, Alicia Ventresca, Katy Coyle, Andrew Ivester, Catherine Labadia, Jeremy Pincoske). Submitted by R. Christopher Goodwin & Associates, Inc. to El Paso Energy Corporation.
- 2002e *Phase I Cultural Resources Survey and Archeological Inventory of the Proposed Southern Liquefied Natural Gas Wetland Creation Project on Elba Island, Chatham County, Georgia* (with William P. Athens, Kari Krause, Sean Coughlin, Alicia Ventresca, Katy Coyle, Andrew Ivester, Catherine Labadia, Jeremy Pincoske,). Submitted by R. Christopher Goodwin & Associates, Inc. to El Paso Energy Corporation.
- 2002f *Phase I Cultural Resources Survey and Archeological Inventory of the Proposed State Road 79 Expansion Project Through Portions of Washington and Holmes Counties, Florida* (with William P. Athens, Rebecca Sick, Cathy Labadia, Katy Coyle, Jeremy Pincoske). Submitted by R. Christopher Goodwin & Associates, Inc. to FDOT, District III.
- 2002g *Phase I Cultural Resources Survey and Archeological Inventory of the Tennessee Portion of the Proposed Colonial Pipeline Project Corridor, Lincoln, Marshall, Bedford, Rutherford, and Davidson Counties, Tennessee* (with William P. Athens, Alicia Ventresca, Eric Vogelheim, Kristen Vanwert, Darryl Byrd, Katy Coyle, Jeremy Pincoske, Kari Krause). Submitted by R. Christopher Goodwin, Inc. to Colonial Pipeline Company.
- 2002h *Phase I Cultural Resources Survey and Archeological Inventory of the Proposed Tennessee Gas Pipeline Company Hognose Creek Crossing, Lauderdale County, Mississippi* (with William P. Athens, Eric Vogelheim, Jeremy Pincoske, Susan Barrett Smith). Submitted by R. Christopher Goodwin & Associates, Inc. to ENSR.

- 2002i *Phase I Cultural Resources Survey and Archeological Inventory of the Proposed Tennessee Gas Pipeline Company Tallahala Creek Crossing Project Area, Forrest County, Mississippi* (with William Athens, Alicia Ventresca). Submitted by R. Christopher Goodwin & Associates, Inc. to ENSR.
- 2002j *Phase II Archeological Testing and National Register Evaluation of Four Archeological Sites (16BO400, 16CD87, 16CD235, and 16CD239) Within the Area of Potential Effect of the Pool 5 Impoundment Area, Bossier and Caddo Parishes, Louisiana* (with William P. Athens, Luis Williams, Rebecca Johnson, Susan B. Smith, Ralph Draughon, Jr.). Submitted by R. Christopher Goodwin & Associates, Inc. to U.S. Army Corps of Engineers, Vicksburg District.
- 2002k *Phase II National Register Testing and Evaluation of Sites 22LW616, 22LW617, 22LW618, 22LW619, 22LW620, 22LW621, and 22LW622, Lawrence County, Mississippi* (with William P. Athens, Kari Krause, Rebecca Sick, Catherine Labadia, Katy Coyle, Jeremy Pincoske). Submitted by R. Christopher Goodwin & Associates, Inc. to MDOT.
- 2002l *Phase I Cultural Resources Survey and Archeological Inventory of the Sharps Relief Wells, Whitehall Relief Wells, and St. Johns Relief Wells Project Items, Concordia Parish, Louisiana* (with William P. Athens, Susan Barrett Smith, Jeremy Pincoske, Angele Montana, Dr. Roger Saucier). Submitted by R. Christopher Goodwin & Associates, Inc. to U.S. Army Corps of Engineers, Vicksburg District.
- 2002m *Land Use History of the Proposed Bayou Rigaud Dredging and Marsh Creation Areas, Jefferson Parish, Louisiana* (with William P. Athens, Susan Barrett Smith, Katy Coyle, Erin Thompson). Submitted by R. Christopher Goodwin & Associates, Inc. to U.S. Army Corps of Engineers, New Orleans District.
- 2003a *Phase II National Register Testing and Evaluation of Sites 16CA114 and 16CA115, Caldwell Parish, Louisiana* (with William P. Athens, Catherine Labadia, James Eberwine, Andrea White, Heather Backo). Submitted by R. Christopher Goodwin & Associates, Inc. to Denmon Engineering, Inc.
- 2003b *Phase I Cultural Resources Survey and Archeological Inventory of the Proposed TAMKO Pipeline Project, Tuscaloosa County, Alabama* (with William P. Athens, Jeremy Pincoske, Andrea White, Susan Barrett Smith). Submitted by R. Christopher Goodwin & Associates, Inc. to ENSR.
- 2003c *Phase I Cultural Resources Survey and Archeological Inventory of the Proposed Coosa River Horizontal Directional Drill (HDD) Project, Elmore County, Alabama* (with William P. Athens, Alicia Ventresca, Jeremy Pincoske, Susan Barrett Smith). Submitted by R. Christopher Goodwin & Associates, Inc. to El Paso Energy.
- 2003d *Phase I Cultural Resources Survey and Archeological Inventory of the Onshore Florida Portion of the Proposed Seafarer U.S. Pipeline System Project in Palm Beach and Martin Counties, Florida* (with William P. Athens, Cathy Labadia, Eric Vogelheim, Katy Coyle, Jeremy Pincoske). Submitted by R. Christopher Goodwin & Associates, Inc. to Seafarer U.S. Pipeline System, LLC.
- 2003e *Phase IA Cultural Resources Records Review Associated with Two Proposed Project Parcels in Corpus Christi, Texas and Mobile, Alabama* (with Bill Athens, Kari Krause, Jeremy Pincoske). Submitted by R. Christopher Goodwin & Associates, Inc. to ERM.

- 2003f *Phase I Cultural Resources Survey and Archeological Inventory of Two Parcels of Land Associated with the Frenchman's Bend Subdivision Project, Ouachita Parish, Louisiana* (with Bill Athens, Kari Krause, Katy Coyle, Heather Backo, Jeremy Pincoske). Submitted by R. Christopher Goodwin & Associates, Inc. to Trey Jay, Inc.
- 2003g *Phase I Cultural Resources Survey and Archeological Inventory of Four Project Areas Associated with the Proposed Discovery Market Expansion Project, Lafourche and Terrebonne Parishes, Louisiana* (with Bill Athens, Kari Krause, Katy Coyle, Heather Backo, Jeremy Pincoske). Submitted by R. Christopher Goodwin & Associates, Inc. to Discovery Gas Transmission LLC.
- 2003h *Phase I Cultural Resources Survey and Archeological Inventory of a Proposed 1.12 ha (2.78 ac) Borrow Pit and an Associated Access Road, Ascension Parish, Louisiana* (with Catherine Labadia, Marie Pokrant, and Jeremy Pincoske). Submitted by R. Christopher Goodwin & Associates, Inc. to U.S. Army Corps of Engineers, New Orleans District.
- 2003i *Phase I Cultural Resources Survey and Archeological Inventory of the Proposed Replacement and Relocation of the 24-inch O.D. South Main Loop Line, Marengo County, Alabama* (with William P. Athens, Andrea White, and Susan Barrett Smith). Submitted by R. Christopher Goodwin & Associates, Inc. to El Paso Corporation.
- 2003j *Phase I Cultural Resources Survey and Archeological Inventory of an 8.94 ha (22.09 ac) Parcel of Land, Windsor Locks, Connecticut* (with Andrea White). Submitted by R. Christopher Goodwin & Associates, Inc., to ATC Associates, Inc.
- 2003k *Phase I Cultural Resources Survey and Archeological Inventory of a Proposed Cellular Telephone Tower and Associated Access Road in Chaplin, Connecticut*. Submitted by R. Christopher Goodwin & Associates, Inc., to Keegans Associates, LLC (work completed on behalf of Vanasse Hangen Brustlin, Inc.).
- 2003l *Phase IB Cultural Resources Survey and Archeological Inventory of a 16.2 ha (40 ac) Project Parcel Rocky Hill, Connecticut* (with Catherine Labadia and Andrea White). Submitted by R. Christopher Goodwin & Associates, Inc., to Vanasse Hangen Brustlin, Inc.
- 2003m *Phase I Cultural Resources Survey and Archeological Inventory of 30 and 36 inch Outside Diameter (O.D.) Lake Charles Express Pipeline Project, Allen, Beauregard, Calcasieu, and Jefferson Davis Parishes, Louisiana* (with Kari Krause, Katy Coyle, Jeremy Pincoske, Eric Vogelheim, Jennae Biddiscombe). Submitted by R. Christopher Goodwin & Associates, Inc., to Lake Charles Express LLC.
- 2003n *Phase I Cultural Resources Survey and Archeological Inventory of the Chaland Headland Restoration Project, Plaquemines Parish, Louisiana* (with William P. Athens, Catherine Labadia, and Rebecca Sick). Submitted by R. Christopher Goodwin & Associates, Inc., to Tetra Tech EM, Inc.
- 2003o *Phase I Cultural Resources Survey and Archeological Inventory of a 6.75 ha (16.69 ac) Parcel of Land Located in Killingly, Connecticut* (with Andrea White). Submitted by R. Christopher Goodwin & Associates, Inc. to Geisser Engineering Corporation.

- 2003p *Phase II Testing and Evaluation of Site 16JE2 in Conjunction with Construction of the Proposed Endymion Pipeline LLC (Grand Isle to Clovelly) Project Corridor, Jefferson and Lafourche Parishes, Louisiana* (with William P. Athens, Sean Coughlin, and Rebecca Sick). Submitted by R. Christopher Goodwin & Associates, Inc. to T. Baker Smith & Son, Inc.
- 2003q *Phase IA Literature Search and Records Review of a Proposed 60.5 ha (149.6 ac) Parcel of Land, Hollinger's Island, Mobile County, Alabama* (with William P. Athens, Kari Krause, Jeremy Pincoske, and Ashley Sanders). Submitted by R. Christopher Goodwin & Associates, Inc. to Environmental Resources Management.
- 2003r *Phase IA Literature Search and Records Review of a Proposed 23.3 km (14.5 mi) Long, 36 in O.D. Exxon Mobile Pipeline Corridor, Mobile County, Alabama* (with William P. Athens, Kari Krause, and Jeremy Pincoske). Submitted by R. Christopher Goodwin & Associates, Inc. to Environmental Resources Management.
- 2003s *Phase IA Cultural Resources Records Review for the Proposed Corridor X to Muscle Shoals Project, Colbert, Franklin, Lawrence, Marion, Walker, and Winston Counties, Alabama* (with William P. Athens and Jeremy Pincoske). Submitted by R. Christopher Goodwin & Associates, Inc. to Consoer Townsend Envirodyne Engineers, Inc.
- 2004a *Phase IA Cultural Resources Overview and Assessment of Previously Recorded Cultural Resources Within and Adjacent to the Proposed Golden Pass LNG Terminal, Jefferson County, Texas* (with William P. Athens, Rebecca Sick, and Andrea White). Submitted by R. Christopher Goodwin & Associates, Inc. to Environmental Resources Management, Inc.
- 2004b *Phase IA Cultural Resources Records Review and Literature Research of the Paul J. Rainey Wildlife Sanctuary, Vermilion Parish, Louisiana* (with William P. Athens, Catherine Labadia, and Susan Barrett Smith). Submitted by R. Christopher Goodwin & Associates, Inc. to Tetra Tech EM, Inc.
- 2004c *Phase I Cultural Resources Reconnaissance Survey of Proposed Sprint PCS Wireless Communications Facility Numbers CT-11-390-G and CT-11-390-J, North Branford, Connecticut* (with Catherine Labadia and William Keegan). Submitted to Vanasse Hangen Brustlin, Inc., Middletown, Connecticut.
- 2004d *Phase I Cultural Resources Reconnaissance Survey of Proposed AT&T Wireless Communications Facility Numbers CT-668-A and CT-668-B, Madison, Connecticut* (with Catherine Labadia and William Keegan). Submitted to Vanasse Hangen Brustlin, Inc., Middletown, Connecticut.
- 2004e *Historic Research and Building Documentation of the Hanford House, 180-182 Main Street, Bridgeport, Connecticut* (with William Keegan and Catherine Labadia). Submitted to Vanasse Hangen Brustlin, Inc., Middletown, Connecticut.
- 2004f *Phase I Cultural Resources Survey and Archeological Inventory of a 8.09 ha (20 ac) Project Parcel Associated with the Proposed Fieldstone Commons Commercial Development, Tolland, Connecticut* (with Catherine Labadia and William Keegan). Submitted to Prospect Enterprises Hartford, Connecticut.

- 2004g *Phase I Cultural Resources Reconnaissance Survey of the Proposed Rockville Bank Branch Office Location, Tolland, Connecticut* (with Catherine Labadia and William Keegan). Submitted to Rockville Bank, South Windsor, Connecticut.
- 2004h *Phase I Cultural Resources Reconnaissance Inventory of a Proposed Housing Subdivision in Goshen, Connecticut* (with Catherine Labadia and William Keegan). Submitted to Henne Development, Southbury, Connecticut.
- 2004i *Archeological Investigation of Stone Piles Located on a 16.8 ha (41.5 ac) parcel of land in Stafford, Connecticut* (with Catherine Labadia and William Keegan). Submitted to Vanasse Hangen Brustlin, Inc., Middletown, Connecticut.
- 2005a *Phase I Cultural Resources Reconnaissance Survey of a Proposed Housing Subdivision at 25 Starrs Ridge Road in Redding, Connecticut* (with William Keegan and Catherine Labadia). Submitted to Mr. Jason Addison, Greenwich, Connecticut.
- 2005b *Phase I Cultural Resources Reconnaissance Survey of a Proposed Water Line in Colchester, Connecticut* (with William Keegan and Catherine Labadia). Submitted to Weston & Sampson Engineers, Inc., Glastonbury, Connecticut.
- 2005c *Phase I Cultural Resources Reconnaissance Survey of the Proposed Carriage Crossing Housing Subdivision in Tolland, Connecticut* (with William Keegan and Catherine Labadia). Submitted to Strategic Properties, LLC, Simsbury, Connecticut.
- 2005d *Phase I Archeological Assessment and Cultural Resources Reconnaissance Surveys for the Proposed Gateway Zone Sewer Extension Project in Tolland, Connecticut* (with William Keegan and Catherine Labadia). Submitted to Town of Tolland, Tolland, Connecticut.
- 2005e *Phase I Cultural Resources Reconnaissance Survey of a 4.5 ha (11 ac) Proposed Project Area and Phase II National Register Testing and Evaluation of Site 165-6 in Windsor Locks, Connecticut* (with William Keegan and Catherine Labadia). Submitted to Fahey Landolino & Associates, LLC, Windsor Locks, Connecticut.
- 2005f *Phase I Cultural Resources Reconnaissance Survey of Cellular Communications Facility CT54CX773, Hamden, Connecticut* (with William Keegan and Catherine Labadia). Submitted to Vanasse Hangen Brustlin, Inc., Middletown, Connecticut.
- 2005g *Phase I Cultural Resources Reconnaissance Survey of a Proposed Cellular Communications Facility at 7 Broadway Avenue Extension, Stonington, Connecticut* (with William Keegan and Catherine Labadia). Submitted to EBI Consulting, Inc., Burlington, Massachusetts.
- 2005h *Phase I Cultural Resources Reconnaissance Survey of a Proposed Housing Subdivision at 80 Laurel Lane, Redding, Connecticut* (with William Keegan and Catherine Labadia). Submitted to Mr. Adam Lubarsky, Redding, Connecticut.
- 2005i *Phase I Cultural Resources Reconnaissance Survey of 2.8 ha (6.9 ac) of the Proposed Grace Estates Housing Subdivision, West Hartford, Connecticut* (with William Keegan and Catherine Labadia). Submitted to Grace Estates, West Hartford, Connecticut.
- 2005j *Phase I Cultural Resources Reconnaissance Survey of a Proposed Cellular Communications Facility at 395 Round Hill Road, Greenwich, Connecticut* (with William Keegan and Catherine Labadia). Submitted to EBI Consulting, Inc., Burlington, Massachusetts.

- 2005k *Phase I Cultural Resources Reconnaissance Survey of a Proposed Cellular Communications Facility at 135 Brandagee Avenue, Groton, Connecticut* (with William Keegan and Catherine Labadia). Submitted to EBI Consulting, Inc., Burlington, Massachusetts.
- 2006a *Phase I Cultural Resources Reconnaissance Survey of Proposed Cellular Communications Facility CT70XC133, Bristol, Connecticut* (with Catherine Labadia and William Keegan). Submitted to Vanasse Hangen Brustlin, Inc., Middletown, Connecticut
- 2006b *Phase I Cultural Resources Reconnaissance Survey of Proposed Cellular Communications Facility CT33XC272, Watertown, Connecticut* (with Catherine Labadia and William Keegan). Submitted to Vanasse Hangen Brustlin, Inc., Middletown, Connecticut
- 2006c *Phase IA Cultural Resources Assessment and Phase IB Cultural Resources Reconnaissance Surveys of the Proposed Ryder Farm Subdivision at 224 Umpawaug Road in Redding, Connecticut* (with Catherine Labadia and William Keegan). Submitted to Falciglia & Valeri Construction LLC, Danbury, Connecticut
- 2006d *Phase IA Cultural Resources Assessment Survey and Phase IB Cultural Resources Reconnaissance Survey of the Killingly 2G Substation Project, Killingly and Putnam, Connecticut* (with Catherine Labadia and William Keegan). Submitted to Vanasse Hangen Brustlin, Inc., Middletown, Connecticut
- 2006e *Phase I Cultural Resources Reconnaissance Survey of a Proposed Cellular Communications Facility Located Within the Grounds of The Pequabuck Golf Club, Bristol, Connecticut* (with Catherine Labadia and William Keegan). Submitted to EBI Consulting, Inc., Burlington, Massachusetts
- 2006f *Phase IA Cultural Resources Assessment Survey of the Proposed Thornberry Ridge Condominium Complex in Bristol, Connecticut* (with Catherine Labadia and William Keegan). Submitted to The Bongiovanni Group, Inc., Newington, Connecticut
- 2006g *Phase I Cultural Resources Reconnaissance Survey for a Proposed Cellular Communications Facility Located at 111 Long Street in Warwick, Rhode Island* (with Catherine Labadia and William Keegan). Submitted to EBI Consulting, Inc., Burlington, Massachusetts
- 2006h *Phase I Cultural Resources Reconnaissance Survey of a Proposed Cellular Communications Facility Located at 19 Church Street in Shelton, Connecticut* (with Catherine Labadia and William Keegan). Submitted to EBI Consulting, Inc., Burlington, Massachusetts
- 2006I *Phase I Cultural Resources Reconnaissance Survey of a Proposed Cellular Communications Facility at 12 Orchard Drive, Ledyard, Connecticut* (with Catherine Labadia and William Keegan). Submitted to EBI Consulting, Inc., Burlington, Massachusetts
- 2006j *Phase I Cultural Resources Reconnaissance Survey of a Proposed Cellular Communications Facility Located Along Crystal Lake Road in Ellington, Connecticut* (with Catherine Labadia and William Keegan). Submitted to EBI Consulting, Inc., Burlington, Massachusetts
- 2006k *Phase I Cultural Resources Reconnaissance Survey of Two Proposed Cellular Communications Facility Alternatives (A & B) Located Within the Grounds of The Camp Candlewood Girl Scout Camp, New Fairfield, Connecticut* (with Catherine Labadia and William Keegan). Submitted to EBI Consulting, Inc., Burlington, Massachusetts

- 2006l *Phase I Cultural Resources Reconnaissance Survey of a Proposed Cellular Communications Facility Located at 52 Stadley Rough Road, Danbury, Connecticut* (with Catherine Labadia and William Keegan). Submitted to EBI Consulting, Inc., Burlington, Massachusetts
- 2006m *Phase I Cultural Resources Reconnaissance Survey of a Proposed Telecommunications Facility off Graham Road in Ashford, Connecticut* (with Catherine Labadia and William Keegan). Submitted to EBI Consulting, Inc., Burlington, Massachusetts
- 2006n *Phase IA Cultural Resources Assessment Survey of Proposed Cellular Communications Facility CT33XC522, Weston, Connecticut* (with Catherine Labadia and William Keegan). Submitted to Vanasse Hangen Brustlin, Inc., Middletown, Connecticut
- 2006o *Phase IA Cultural Resources Assessment Survey of the Proposed Winding River Estates Condominium Complex in Southington, Connecticut* (with Catherine Labadia and William Keegan). Submitted to Mark IV Construction Company, Southington, Connecticut
- 2006p *Phase I Cultural Resources Reconnaissance Survey of a Proposed Cellular Communications Facility at 1605 Sherman Avenue, Hamden, Connecticut* (with Catherine Labadia and William Keegan). Submitted to EBI Consulting, Inc., Burlington, Massachusetts
- 2006q *Phase I Cultural Resources Reconnaissance Survey of a Proposed Cellular Communications Facility at 237 Sandy Hollow Road, Mystic, Connecticut* (with Catherine Labadia and William Keegan). Submitted to EBI Consulting, Inc., Burlington, Massachusetts
- 2006r *Phase I Cultural Resources Reconnaissance Survey of a Proposed Cellular Communications Facility CTNH331B, Waterbury, Connecticut* (with Catherine Labadia and William Keegan). Submitted to EBI Consulting, Inc., Burlington, Massachusetts
- 2006s *Phase I Cultural Resources Reconnaissance Survey of a Proposed Cellular Communications Facility Located along Fairchild Road, Middletown, Connecticut* (with Catherine Labadia and William Keegan). Submitted to EBI Consulting, Inc., Burlington, Massachusetts
- 2006t *Phase I Cultural Resources Reconnaissance Survey of a Proposed Cellular Communications Facility CTNH357A, Watertown, Connecticut* (with Catherine Labadia and William Keegan). Submitted to EBI Consulting, Inc., Burlington, Massachusetts
- 2006u *Phase I Cultural Resources Reconnaissance Survey of the Proposed Newtown Technology Park, Newtown, Connecticut* (with Catherine Labadia and William Keegan). Submitted to Spath-Bjorklund Associates, Inc., Monroe, Connecticut
- 2006v *Phase I Cultural Resources Reconnaissance Survey of the Proposed Mortgage Lenders Development Project, Wallingford, Connecticut* (with Catherine Labadia and William Keegan). Submitted to Bohler Engineering, PC, Southboro, Massachusetts
- 2006w *Phase I Cultural Resources Reconnaissance Survey of the Proposed Johnnycake Mews Cluster Development, Burlington, Connecticut* (with Catherine Labadia and William Keegan). Submitted to Brycorp, Inc., Burlington, Connecticut
- 2006x *Phase I Cultural Resources Reconnaissance Survey of the Proposed Barbour Hill Substation Modification Project, South Windsor, Connecticut* (with Catherine Labadia and William Keegan). Submitted to Vanasse Hangen Brustlin, Inc., Middletown, Connecticut

- 2006y *Phase IB Cultural Resources Reconnaissance Survey of the Proposed Cabela's Development Project within Rentschler Field in East Hartford, Connecticut* (with Catherine Labadia and William Keegan). Submitted to Baystate Environmental Consultants, Inc., East Hartford, Connecticut
- 2006z *Phase I Cultural Resources Reconnaissance Survey of a Proposed Cellular Communications Facility Located at 1662 Goldstar Highway, Groton, Connecticut* (with Catherine Labadia and William Keegan). Submitted to EBI Consulting, Inc., Burlington, Massachusetts
- 2006aa *Phase I Cultural Resources Reconnaissance Survey of the Proposed Shallot Meadow Development Project, Canton, Connecticut* (with Catherine Labadia and William Keegan). Submitted to David F. Whitney Consulting Engineers, Avon, Connecticut
- 2006bb *Phase I Cultural Resources Reconnaissance Survey of Proposed Prospect Street Housing Subdivision in Woodstock, Connecticut* (with Catherine Labadia and William Keegan). Submitted to CME Associates, Inc., Woodstock, Connecticut
- 2006cc *Phase I Cultural Resources Reconnaissance Survey of Proposed Fordham Estates Development, New Fairfield, Connecticut* (with Catherine Labadia and William Keegan). Submitted to Ms. Denise Toomey, Danbury, Connecticut
- 2006dd *Phase I Cultural Resources Reconnaissance Survey of the Proposed Tyler Ridge Housing Subdivision, Goshen, Connecticut* (with Catherine Labadia and William Keegan). Submitted to Mr. William Colby, Goshen, Connecticut
- 2006ee *Phase I Cultural Resources Reconnaissance Survey of a Proposed Cellular Communications Facility Located at 4124 Tower Hill Road, South Kingstown, Rhode Island* (with Catherine Labadia and William Keegan). Submitted to EBI Consulting, Inc., Burlington, Massachusetts
- 2006ff *Phase IA Archeological Investigation of the Proposed Walnut Ridge Chase Housing Subdivision on Grassy Hill Road in East Lyme, Connecticut* (with Catherine Labadia and William Keegan). Submitted to BL Companies, Meriden, Connecticut
- 2006gg *Phase I Cultural Resources Reconnaissance Survey of a Proposed Cellular Communications Facility Located at 260 Pound Hill Road, North Smithfield, Rhode Island* (with Catherine Labadia and William Keegan). Submitted to EBI Consulting, Inc., Burlington, Massachusetts
- 2006hh *Phase I Cultural Resources Reconnaissance Survey of a Proposed Cellular Communications Facility Along Route 63, Goshen, Connecticut* (with Catherine Labadia and William Keegan). Submitted to EBI Consulting, Inc., Burlington, Massachusetts
- 2006ii *Phase I Cultural Resources Reconnaissance Survey of a Proposed Cellular Communications Facility Located at 111 Upper Fish Rock Road in Southbury, Connecticut* (with Catherine Labadia and William Keegan). Submitted to EBI Consulting, Inc., Burlington, Massachusetts
- 2006jj *Phase I Cultural Resources Reconnaissance Survey of the Proposed New Milford Northwest Cellular Communications Tower, Gaylordsville, Connecticut* (with Catherine Labadia and William Keegan). Submitted to EBI Consulting, Inc., Burlington, Massachusetts

- 2006kk *Phase I Cultural Resources Reconnaissance Survey of the Proposed Clairmont Cluster Subdivision in Stonington, Connecticut* (with Catherine Labadia and William Keegan). Submitted to Meehan Group, LLC, Collinsville, Connecticut
- 2006ll *Phase I Cultural Resources Reconnaissance Survey of a Proposed Cellular Communications Facility Located along Old Baird Road, Watertown, Connecticut* (with Catherine Labadia and William Keegan). Submitted to EBI Consulting, Inc., Burlington, Massachusetts
- 2006mm *Phase I Cultural Resources Reconnaissance Survey of a Proposed Cellular Communications Facility Located at 5081 Old Post Road, Charlestown, Rhode Island* (with Catherine Labadia and William Keegan). Submitted to EBI Consulting, Inc., Burlington, Massachusetts
- 2006nn *Phase I Cultural Resources Reconnaissance Survey of a Proposed Cellular Communications Facility at 1027 Middle Turnpike East, Manchester, Connecticut* (with Catherine Labadia and William Keegan). Submitted to EBI Consulting, Inc., Burlington, Massachusetts
- 2006oo *Phase IA Cultural Resources Assessment Survey of a Proposed Cellular Communications Facility Located Within Floyd Bennett Field, Brooklyn, New York* (with Catherine Labadia and William Keegan). Submitted to Vanasse Hangen Brustlin, Inc., Middletown, Connecticut
- 2006pp *Phase IA Cultural Resources Assessment Survey of Proposed Cellular Communications Facility CT54XC768, Redding, Connecticut* (with Catherine Labadia and William Keegan). Submitted to Vanasse Hangen Brustlin, Inc., Middletown, Connecticut
- 2006qq *Phase I Cultural Resources Reconnaissance Survey of a Proposed Cellular Communications Facility Located at 167 New Milford Turnpike in Washington, Connecticut* (with Catherine Labadia and William Keegan). Submitted to EBI Consulting, Inc., Burlington, Massachusetts
- 2006rr *Phase I Cultural Resources Survey of the Proposed Day Hill Road Development Project, Windsor, Connecticut* (with Catherine Labadia and William Keegan). Submitted to Clohessy, Harris, and Kaiser, LLC, Simsbury, Connecticut
- 2006ss *Phase I Cultural Resources Reconnaissance Survey of the Proposed Chapman Chase Housing Subdivision and Phase II National Register Testing and Evaluation of Site 165-7, Windsor Locks, Connecticut* (with Catherine Labadia and William Keegan). Submitted to The Keystone Companies, LLC, Avon, Connecticut
- 2007a *Phase I Cultural Resources Reconnaissance Survey of the proposed Walnut Ridge Chase Housing Subdivision on Grassy Hill Road in East Lyme, Connecticut* (with Catherine Labadia and William Keegan). Submitted to Centerplan Development Company, Hartford, Connecticut
- 2007b *Phase I cultural resources reconnaissance survey of proposed telecommunications facility CT33XC019 located off of Cove Road in Haddam, Connecticut* (with Catherine Labadia and William Keegan). Submitted to Vanasse Hangen Brustlin, Inc., Middletown, Connecticut

- 2007c *Phase I cultural resources reconnaissance survey of proposed cellular telecommunications facility CT-3665 located along Route 7 in Sharon, Connecticut* (with Catherine Labadia and William Keegan). Submitted to EBI Consulting, Inc., Burlington, Massachusetts
- 2007d *Phase I cultural resources reconnaissance survey of a proposed housing subdivision located at 333 Valley Road in Killingly Connecticut* (with Catherine Labadia and William Keegan). Submitted to 333 Valley Road, LLC, Thompson, Connecticut
- 2007e *Phase I Cultural Resources Reconnaissance Survey of the Proposed Newtown Technology Park, Newtown, Connecticut* (with Catherine Labadia and William Keegan). Submitted to Spath-Bjorklund Associates, Inc., Monroe, Connecticut
- 2007f *Phase I cultural resources reconnaissance survey of a proposed cellular communications facility to be constructed at 297 East Canaan Road in East Canaan, Connecticut* (with Catherine Labadia and William Keegan). Submitted to EBI Consulting, Inc., Burlington, Massachusetts
- 2007g *Phase IA Cultural Resources Assessment Survey and Phase IB Cultural Resources Reconnaissance Survey of Proposed Sewer Lines and Associated Facilities in the Pine Grove Community of East Lyme, Connecticut* (with Catherine Labadia and William Keegan). Submitted to Weston & Sampson Engineers, Inc., Rocky Hill, Connecticut
- 2007h *Phase I Cultural Resources Reconnaissance Survey of a Proposed Cellular Communications Facility, Route 7, Falls Village, Connecticut* (with Catherine Labadia and William Keegan). Submitted to EBI Consulting, Inc., Burlington, Massachusetts
- 2007i *Phase I Cultural Resources Reconnaissance Survey of the Proposed Quinnipiac River Linear Trail Project, Wallingford, Connecticut* (with Catherine Labadia and William Keegan). Submitted to the Town of Wallingford, Wallingford, Connecticut
- 2007j *Documenting Shipwrecks in the Connecticut Waters of Long Island Sound* (with Catherine Labadia and William Keegan). Submitted to the Connecticut Department of Environmental Protection, Office of the Long Island Sound Program, Hartford, Connecticut
- 2007k *Phase IA Cultural Resources Assessment Survey of the Proposed Orvedal Property Subdivision in East Lyme, Connecticut* (with Catherine Labadia and William Keegan). Submitted to Angus McDonald/Gary Sharpe & Associates, Inc., Old Saybrook, Connecticut
- 2007l *Intensive (Locational) Archaeological Survey of a Proposed Optasite Cellular Telecommunications Facility off Stony Hill Road, Wilbraham, Massachusetts* (with Catherine Labadia and William Keegan). Submitted to EBI Consulting, Inc., Burlington, Massachusetts
- 2007m *Phase I Cultural Resources Reconnaissance Survey of Proposed Cellular Communications Facility CT33XC272, Watertown, Connecticut* (with Catherine Labadia and William Keegan). Submitted to Vanasse Hangen Brustlin, Inc., Middletown, Connecticut
- 2007n *Phase I cultural resources reconnaissance survey of property owned by the Connecticut Light & Power Company located north of Rood Avenue in Windsor, Connecticut* (with Catherine Labadia and William Keegan). Submitted to Vanasse Hangen Brustlin, Inc., Middletown, Connecticut

- 2007o *Phase I Cultural Resources Reconnaissance Survey of Proposed Cellular Communications Facility CT-999-0102, South Windsor, Connecticut* (with Catherine Labadia and William Keegan). Submitted to Vanasse Hangen Brustlin, Inc., Middletown, Connecticut
- 2007p *Phase I Cultural Resources Reconnaissance Survey of Proposed Cellular Communications Facility 4PR0626E Located at 0 Chopmist Hill Road in Glocester, Rhode Island* (with Catherine Labadia and William Keegan). Submitted to EBI Consulting, Inc., Burlington, Massachusetts
- 2007q *Phase I Cultural Resources Reconnaissance Survey of a Proposed Cellular Communications Facility on Chase Road, Thompson, Connecticut* (with Catherine Labadia and William Keegan). Submitted to Vanasse Hangen Brustlin, Inc., Middletown, Connecticut
- 2007r *Phase I Cultural Resources Reconnaissance Survey of Proposed Cellular Communications Facility CT-999-0101, Glastonbury, Connecticut* (with Catherine Labadia and William Keegan). Submitted to Vanasse Hangen Brustlin, Inc., Middletown, Connecticut
- 2007s *Phase I Cultural Resources Reconnaissance Survey of a Proposed Cellular Communications on Old Turnpike Road in Woodstock, Connecticut* (with Catherine Labadia and William Keegan). Submitted to EBI Consulting, Inc., Burlington, Massachusetts
- 2007t *Phase I Cultural Resources Reconnaissance Survey of a Proposed Cellular Communications Facility, on Town Farm Road, Farmington, Connecticut* (with Catherine Labadia and William Keegan). Submitted to EBI Consulting, Inc., Burlington, Massachusetts
- 2007u *Phase I Cultural Resources Reconnaissance Survey of Proposed Cellular Communications Facility CT-999-0074, Manchester, Connecticut* (with Catherine Labadia and William Keegan). Submitted to Kleinfelder, Inc., Windsor, Connecticut
- 2008a *Phase IA Cultural Resources Assessment Survey of a Proposed Development in Lebanon, Connecticut* (with Catherine Labadia and William Keegan). Submitted to Vanasse Hangen Brustlin, Inc., Middletown, Connecticut
- 2008b *Phase I Cultural Resources Reconnaissance Survey of Two Proposed Cellular Communications Facility Alternatives off Sterling Road, Plainfield, Connecticut* (with Catherine Labadia and William Keegan). Submitted to Vanasse Hangen Brustlin, Inc., Middletown, Connecticut
- 2008c *Phase IA Cultural Resources Assessment Survey of a Proposed Development in Watertown, Connecticut* (with Catherine Labadia and William Keegan). Submitted to Vanasse Hangen Brustlin, Inc., Middletown, Connecticut
- 2008d *Phase I Cultural Resources Reconnaissance Survey of Proposed Cellular Communications Facility CT-999-0093, Norwich, Connecticut* (with Catherine Labadia and William Keegan). Submitted to Kleinfelder, Inc., Windsor, Connecticut.
- 2008e *Phase I Cultural Resources Reconnaissance Survey of Lot 123 of the Proposed Walnut Hill Chase Subdivision in East Lyme, Connecticut* (with Catherine Labadia and William Keegan). Submitted to BL Companies, Inc., Meriden, Connecticut
- 2008f *Phase IB Cultural Resources Reconnaissance Survey of a Proposed Development in Waterford, Connecticut* (with Catherine Labadia and William Keegan). Submitted to Vanasse

- Hangen Brustlin, Inc., Middletown, Connecticut and Connecticut Light & Power Company, Berlin, Connecticut.
- 2008g *Intensive (Locational) Archaeological Survey of Proposed Optasite Cellular Telecommunications Facility 967-0018 off Stony Hill Road, Wilbraham, Massachusetts* (with Catherine Labadia and William Keegan). Submitted to Kleinfelder, Inc., Windsor, Connecticut
- 2008h *Phase I Cultural Resources Reconnaissance Survey of a Proposed Cellular Communications Facility on Prospect Street in Woodstock, Connecticut* (with Catherine Labadia and William Keegan). Submitted to Vanasse Hangen Brustlin, Inc., Middletown, Connecticut
- 2008i *Phase I Cultural Resources Reconnaissance Survey of a Proposed Cellular Communications Facility, Along Elmwood Hill Road, Putnam Connecticut* (with Catherine Labadia and William Keegan). Submitted to Vanasse Hangen Brustlin, Inc., Middletown, Connecticut
- 2008j *Phase IB Cultural Resources Reconnaissance Survey of the Waterford Substation Project Area, Waterford, Connecticut* (with Catherine Labadia and William Keegan). Submitted to Vanasse Hangen Brustlin, Inc., Middletown, Connecticut
- 2008k *Phase I Cultural Resources Reconnaissance Survey of the Proposed Mansfield Four Corners Cellular Communications Facility to be Constructed at 343 Daleville Road in Willington, Connecticut* (with Catherine Labadia and William Keegan). Submitted to Vanasse Hangen Brustlin, Inc., Middletown, Connecticut.
- 2008l *Phase I Cultural Resources Reconnaissance Survey of the Coogan Property, Mystic, Connecticut* (with Catherine Labadia and William Keegan). Submitted to Fuss and O'Neill, Inc., Manchester, Connecticut and Northeast Utilities, Berlin, Connecticut.
- 2008m *Phase I Cultural Resources Reconnaissance Survey of the proposed Manchester Substation to Manchester Junction 345-kV Transmission Line 310/368 Separation Project, Manchester, Connecticut* (with Catherine Labadia and William Keegan). Submitted to Connecticut Light & Power Company, Berlin, Connecticut.

APPENDIX E

TRIBAL CORRESPONDENCE

Daniel Schweigard

From: towernotifyinfo@fcc.gov
Sent: Monday, December 29, 2008 11:10 AM
To: Daniel Schweigard
Subject: Proposed Tower Structure Info - Email ID #2093119

Dear Daniel M Schweigard,

Thank you for submitting a notification regarding your proposed structure via the Tower Construction Notification Application. Note that the FCC has assigned a unique Notification ID number for this proposed structure.

You will need to reference this Notification ID number when you update your project's Status with us.

Below are the details you provided for the tower you have proposed to construct:

Notification Received: 12/29/2008

Notification ID: 47890

Tower Owner Individual or Entity Name: Florida Tower Partners

Consultant Name: Daniel M Schweigard

Street Address: 11 Herbert Drive

City: Latham

State: NEW YORK

Zip Code: 12110

Phone: 518-690-0790

Email: DSchweigard@infinigy.com

Structure Type: UTOWER - Unguyed - Free Standing Tower

Latitude: 41 deg 22 min 39.4 sec N

Longitude: 72 deg 52 min 34.1 sec W

Location Description: 50 Devine Street

City: North Haven

State: CONNECTICUT

County: NEW HAVEN

Ground Elevation: 2.1 meters

Support Structure: 45.7 meters above ground level

Overall Structure: 45.7 meters above ground level

Overall Height AMSL: 47.8 meters above mean sea level

Daniel Schweigard

From: towernotifyinfo@fcc.gov
Sent: Friday, January 02, 2009 3:00 AM
To: Daniel Schweigard
Cc: kim.pristello@fcc.gov; diane.dupert@fcc.gov
Subject: NOTICE OF ORGANIZATION(S) WHICH WERE SENT PROPOSED TOWER CONSTRUCTION NOTIFICATION INFORMATION - Email ID #2093692

Dear Sir or Madam:

Thank you for using the Federal Communications Commission's (FCC) Tower Construction Notification System (TCNS). The purpose of this electronic mail message is to inform you that the following authorized persons were sent the information you provided through TCNS, which relates to your proposed antenna structure. The information was forwarded by the FCC to authorized TCNS users by electronic mail and/or regular mail (letter).

Persons who have received the information that you provided include leaders or their designees of federally-recognized American Indian Tribes, including Alaska Native Villages (collectively "Tribes"), Native Hawaiian Organizations (NHOs), and State Historic Preservation Officers (SHPOs). For your convenience in identifying the referenced Tribes and in making further contacts, the City and State of the Seat of Government for each Tribe and NHO, as well as the designated contact person, is included in the listing below. We note that Tribes may have Section 106 cultural interests in ancestral homelands or other locations that are far removed from their current Seat of Government. Pursuant to the Commission's rules as set forth in the Nationwide Programmatic Agreement for Review of Effects on Historic Properties for Certain Undertakings Approved by the Federal Communications Commission (NPA), all Tribes and NHOs listed below must be afforded a reasonable opportunity to respond to this notification, consistent with the procedures set forth below, unless the proposed construction falls within an exclusion designated by the Tribe or NHO. (NPA, Section IV.F.4).

The information you provided was forwarded to the following Tribes and NHOs who have set their geographic preferences on TCNS. If the information you provided relates to a proposed antenna structure in the State of Alaska, the following list also includes Tribes located in the State of Alaska that have not specified their geographic preferences. For these Tribes and NHOs, if the Tribe or NHO does not respond within a reasonable time, you should make a reasonable effort at follow-up contact, unless the Tribe or NHO has agreed to different procedures (NPA, Section IV.F.5). In the event such a Tribe or NHO does not respond to a follow-up inquiry, or if a substantive or procedural disagreement arises between you and a Tribe or NHO, you must seek guidance from the Commission (NPA, Section IV.G). These procedures are further set forth in the FCC's Declaratory Ruling released on October 6, 2005 (FCC 05-176).

1. THPO Kathleen Knowles - Mashantucket Pequot Tribe - Mashantucket, CT - electronic mail
Exclusions: For every tower construction this Tribe requires a site location map, site plans for every project that will result in ground disturbance, and a detailed description of the proposed site. If the proposed tower construction is on an already existing building, the Tribe would like to be informed of that as well.

2. Cell Tower Coordinator Sequahna Mars - Narragansett Indian Tribe - Wyoming, RI -
electronic mail and regular mail

The information you provided was also forwarded to the additional Tribes and NHOs listed below. These Tribes and NHOs have NOT set their geographic preferences on TCNS, and therefore they are currently receiving tower notifications for the entire United States. For these Tribes and NHOs, you are required to use reasonable and good faith efforts to determine if the Tribe or NHO may attach religious and cultural significance to historic properties that may be affected by its proposed undertaking. Such efforts may include, but are not limited to, seeking information from the relevant SHPO or THPO, Indian Tribes, state agencies, the U.S. Bureau of Indian Affairs, or, where applicable, any federal agency with land holdings within the state (NPA, Section IV.B). If after such reasonable and good faith efforts, you determine that a Tribe or NHO may attach religious and cultural significance to historic properties in the area and the Tribe or NHO does not respond to TCNS notification within a reasonable time, you should make a reasonable effort to follow up, and must seek guidance from the Commission in the event of continued non-response or in the event of a procedural or substantive disagreement. If you determine that the Tribe or NHO is unlikely to attach religious and cultural significance to historic properties within the area, you do not need to take further action unless the Tribe or NHO indicates an interest in the proposed construction or other evidence of potential interest comes to your attention.

None

The information you provided was also forwarded to the following SHPOs in the State in which you propose to construct and neighboring States. The information was provided to these SHPOs as a courtesy for their information and planning. You need make no effort at this time to follow up with any SHPO that does not respond to this notification. Prior to construction, you must provide the SHPO of the State in which you propose to construct (or the Tribal Historic Preservation Officer, if the project will be located on certain Tribal lands), with a Submission Packet pursuant to Section VII.A of the NPA.

3. SHPO John W Shannahan - Connecticut Historical Commission - Hartford, CT - electronic mail

4. SHPO Cara Metz - Massachusetts Historical Commission - Boston, MA - electronic mail

5. Deputy SHPO Brona Simon - Massachusetts Historical Commission - Boston, MA - electronic mail

6. Director Ruth L Pierpont - Bureau of Field Services, NY State Parks &* Hist. Pres. - Waterford, NY - electronic mail

7. SHPO Frederick C Williamson - Rhode Island Historic Preservation & Heritage Comm - Providence, RI - regular mail

8. Deputy SHPO Edward F Sanderson - Rhode Island Historic Preservation & Heritage Comm - Providence, RI - electronic mail

9. SHPO Karen J Senich - Connecticut Commission on Culture and Tourism - Hartford, CT - electronic mail

"Exclusions" above set forth language provided by the Tribe, NHO, or SHPO. These exclusions may indicate types of tower notifications that the Tribe, NHO, or SHPO does not wish to review. TCNS automatically forwards all notifications to all Tribes, NHOs, and SHPOs that have an expressed interest in the geographic area of a proposal, as well as Tribes and NHOs that have not limited their geographic areas of interest. However, if a proposal falls within a designated exclusion, you need not expect any response and need not pursue any additional process with that Tribe, NHO, or SHPO. Exclusions may also set forth policies or procedures of a particular Tribe, NHO, or SHPO (for example, types of information that a Tribe routinely requests, or a policy that no response within 30 days indicates no interest in participating in pre-construction review).

If you are proposing to construct a facility in the State of Alaska, you should contact Commission staff for guidance regarding your obligations in the event that Tribes do not respond to this notification within a reasonable time.

Please be advised that the FCC cannot guarantee that the contact(s) listed above opened and reviewed an electronic or regular mail notification. The following information relating to the proposed tower was forwarded to the person(s) listed above:

Notification Received: 12/29/2008
Notification ID: 47890
Tower Owner Individual or Entity Name: Florida Tower Partners
Consultant Name: Daniel M Schweigard
Street Address: 11 Herbert Drive
City: Latham
State: NEW YORK
Zip Code: 12110
Phone: 518-690-0790
Email: DSchweigard@infinigy.com

Structure Type: UTOWER - Unguyed - Free Standing Tower
Latitude: 41 deg 22 min 39.4 sec N
Longitude: 72 deg 52 min 34.1 sec W
Location Description: 50 Devine Street
City: North Haven
State: CONNECTICUT
County: NEW HAVEN
Ground Elevation: 2.1 meters
Support Structure: 45.7 meters above ground level
Overall Structure: 45.7 meters above ground level
Overall Height AMSL: 47.8 meters above mean sea level

If you have any questions or comments regarding this notice, please contact the FCC using the electronic mail form located on the FCC's website at:

<http://wireless.fcc.gov/outreach/notification/contact-fcc.html>.

You may also call the FCC Support Center at (877) 480-3201 (TTY 717-338-2824). Hours are from 8 a.m. to 7:00 p.m. Eastern Time, Monday through Friday (except Federal holidays). To provide quality service and ensure security, all telephone calls are recorded.

Thank you,
Federal Communications Commission

Daniel Schweigard

From: towernotifyinfo@fcc.gov
Sent: Saturday, January 03, 2009 5:19 PM
To: Daniel Schweigard
Cc: towernotifyinfo@fcc.gov; sequahna@yahoo.com
Subject: Reply to Proposed Tower Structure (Notification ID #47890) - Email ID #2094953

Dear Daniel M Schweigard,

Thank you for using the Federal Communications Commission's (FCC) Tower Construction Notification System (TCNS). The purpose of this email is to inform you that an authorized user of the TCNS has replied to a proposed tower construction notification that you had submitted through the TCNS.

The following message has been sent to you from Cell Tower Coordinator Sequahna Mars of the Narragansett Indian Tribe in reference to Notification ID #47890:

On behalf of the Narragansett Indian Tribe, the Narragansett Indian Tribal Historic Preservation Office is hereby formally initiating consultation and review of cell tower site designated by TCNS #47890, located in North Haven, CT. Follow-up on behalf of the cell tower carrier should be initiated by contacting Sequahna Mars, at sequahna@yahoo.com. Thank you.

For your convenience, the information you submitted for this notification is detailed below.

Notification Received: 12/29/2008
Notification ID: 47890
Tower Owner Individual or Entity Name: Florida Tower Partners
Consultant Name: Daniel M Daniel
Street Address: 11 Herbert Drive
City: Latham
State: NEW YORK
Zip Code: 12110
Phone: 518-690-0790
Email: DSchweigard@infinigy.com

Structure Type: UTOWER - Unguyed - Free Standing Tower
Latitude: 41 deg 22 min 39.4 sec N
Longitude: 72 deg 52 min 34.1 sec W
Location Description: 50 Devine Street
City: North Haven
State: CONNECTICUT
County: NEW HAVEN
Ground Elevation: 2.1 meters
Support Structure: 45.7 meters above ground level
Overall Structure: 45.7 meters above ground level
Overall Height AMSL: 47.8 meters above mean sea level

Thank you,
Federal Communications Commission

Daniel Schweigard

From: towernotifyinfo@fcc.gov
Sent: Saturday, January 10, 2009 1:47 PM
To: Daniel Schweigard
Cc: towernotifyinfo@fcc.gov; KKnowles@mptn-nsn.gov
Subject: Reply to Proposed Tower Structure (Notification ID #47890) - Email ID #2097985

Dear Daniel M Schweigard,

Thank you for using the Federal Communications Commission's (FCC) Tower Construction Notification System (TCNS). The purpose of this email is to inform you that an authorized user of the TCNS has replied to a proposed tower construction notification that you had submitted through the TCNS.

The following message has been sent to you from THPO Kathleen Knowles of the Mashantucket Pequot Tribe in reference to Notification ID #47890:

Dear Mr. Schweigard,
Regarding Notification ID # 47890, please send requested attachments, and will this project result in ground disturbance ?
Kathleen Knowles,
Tribal Historic Preservation Officer
Mashantucket Pequot Tribe

For your convenience, the information you submitted for this notification is detailed below.

Notification Received: 12/29/2008
Notification ID: 47890
Tower Owner Individual or Entity Name: Florida Tower Partners
Consultant Name: Daniel M Daniel
Street Address: 11 Herbert Drive
City: Latham
State: NEW YORK
Zip Code: 12110
Phone: 518-690-0790
Email: DSchweigard@infinigy.com

Structure Type: UTOWER - Unguyed - Free Standing Tower
Latitude: 41 deg 22 min 39.4 sec N
Longitude: 72 deg 52 min 34.1 sec W
Location Description: 50 Devine Street
City: North Haven
State: CONNECTICUT
County: NEW HAVEN
Ground Elevation: 2.1 meters
Support Structure: 45.7 meters above ground level
Overall Structure: 45.7 meters above ground level
Overall Height AMSL: 47.8 meters above mean sea level

January 30, 2009

Ms. Kathleen Knowles,
Mashantucket Pequot Tribe
Mashantucket, CT

Subject: **Request for Initiation of Section 106 Consultation Process**
TCNS Reference No. 47890
Wireless Site Name: North Haven
Site Address: 50 Devine Street, North Haven, CT 06473
Infinigy Project No.: 226-003

Dear Ms. Knowles:

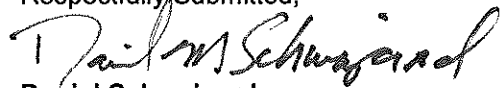
Florida Tower Partners is proposing to construct a wireless telecommunications facility at the above-referenced location. *Florida Tower Partners* has retained *Infinigy Engineering & Surveying, PLLC (Infinigy)* to conduct a review of the proposed telecommunication facility referenced above for compliance with the Federal Communications Commission's Nationwide Programmatic Agreement for Review Under the National Historic Preservation Act (47 CFR Part I, dated January 4, 2005). This notification has been prepared as a follow-up to the Tower Construction Notification System (TCNS) notice (Notification ID 47689), which was sent on December 29, 2008. As outlined in your response to *Infinigy* through the TCNS on January 10, 2009, we are submitting the enclosed package for your review and comment.

Site Description:

The proposed telecommunication site, located at 50 Devine Street, North Haven, CT is located in the southeastern corner of the subject or host property (Subject Property). The Subject Property is an industrial/commercial site currently accommodating an existing establishment including a shared, paved parking area and a large warehouse structure. The proposed telecommunications site is located off of the eastern edge of the pavement, in area of known excavation and fill. The site will encompass initially a 70' x 70' compound area, enclosed the proposed tower structure and associated equipment with chain-link fencing. Access to the telecommunications site will be from the existing paved parking area and located abutting the paved area, essentially extending from the parking lot.

Thank you for your assistance in this matter. Consistent with the timelines outlined in the National Programmatic Agreement and FCC-USET Best Practices Agreement, please respond within 30 days of receipt of this letter with a letter reflecting your findings. Should you have any further questions or require additional information, please contact me at (518) 690-0790 or dschweigard@infinigy.com

Respectfully Submitted,


Daniel Schweigard
Project Manager/ Environmental Scientist

Attachments:

Appendix A – Area of Potential Effects Map (Indirect -1/2 Mile Radius)
Appendix B – Lease Exhibit (Site Plans)
Appendix C – Archeology Review by Heritage Consultants

January 30, 2009

Ms. Kathleen Knowles,
Mashantucket Pequot Tribe
Mashantucket, CT

Subject: **Request for Initiation of Section 106 Consultation Process**
TCNS Reference No. 47890
Wireless Site Name: North Haven
Site Address: 50 Devine Street, North Haven, CT 06473
Infinigy Project No.: 226-003

Dear Ms. Knowles:

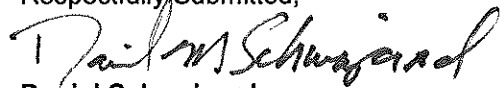
Florida Tower Partners is proposing to construct a wireless telecommunications facility at the above-referenced location. *Florida Tower Partners* has retained *Infinigy Engineering & Surveying, PLLC (Infinigy)* to conduct a review of the proposed telecommunication facility referenced above for compliance with the Federal Communications Commission's Nationwide Programmatic Agreement for Review Under the National Historic Preservation Act (47 CFR Part I, dated January 4, 2005). This notification has been prepared as a follow-up to the Tower Construction Notification System (TCNS) notice (Notification ID 47689), which was sent on December 29, 2008. As outlined in your response to *Infinigy* through the TCNS on January 10, 2009, we are submitting the enclosed package for your review and comment.

Site Description:

The proposed telecommunication site, located at 50 Devine Street, North Haven, CT is located in the southeastern corner of the subject or host property (Subject Property). The Subject Property is an industrial/commercial site currently accommodating an existing establishment including a shared, paved parking area and a large warehouse structure. The proposed telecommunications site is located off of the eastern edge of the pavement, in area of known excavation and fill. The site will encompass initially a 70' x 70' compound area, enclosed the proposed tower structure and associated equipment with chain-link fencing. Access to the telecommunications site will be from the existing paved parking area and located abutting the paved area, essentially extending from the parking lot.

Thank you for your assistance in this matter. Consistent with the timelines outlined in the National Programmatic Agreement and FCC-USET Best Practices Agreement, please respond within 30 days of receipt of this letter with a letter reflecting your findings. Should you have any further questions or require additional information, please contact me at (518) 690-0790 or dschweigard@infinigy.com

Respectfully Submitted,


Daniel Schweigard
Project Manager/ Environmental Scientist

Attachments:

Appendix A – Area of Potential Effects Map (Indirect -1/2 Mile Radius)
Appendix B – Lease Exhibit (Site Plans)
Appendix C – Archeology Review by Heritage Consultants



1-30-09

Mr. Daniel Schweigard,
Environmental Services Projects Manager
Infinigy Engineering, PLLC
11 Herbert Drive
Latham, New York 12110

Re: PRELIMINARY ARCHEOLOGICAL ASSESSMENT OF A PROPOSED
TELECOMMUNICATIONS FACILITY LOCATED AT 50 DEVINE STREET IN
NORTH HAVEN, CONNECTICUT
TCNS NOTIFICATION ID # 47890

Dear Mr. Schweigard,

I have reviewed the Preliminary Archeological Assessment entitled "PRELIMINARY ARCHEOLOGICAL ASSESSMENT OF A PROPOSED TELECOMMUNICATIONS FACILITY LOCATED AT 50 DEVINE STREET IN NORTH HAVEN, CONNECTICUT," submitted by Heritage Consultants LLC.

The research design and testing strategy meets acceptable professional standards, and I agree with the recommendations and conclusions.

Please keep me informed of any further developments with respect to this project.

Sincerely,

A handwritten signature in cursive script that reads "Kathleen Knowles".

Kathleen Knowles,
Tribal Historic Preservation Officer
Mashantucket Pequot Tribe

MASHANTUCKET PEQUOT MUSEUM
& RESEARCH CENTER

110 Pequot Trail, PO Box 3180
Mashantucket, CT 06338
Phone: 860 396 6800
Fax: 860 396 6850
www.pequotmuseum.org

APPENDIX F

LAND RESOURCES MAP

APPENDIX G

**US, STATE and LOCAL GOVERNMENT
CORRESPONDENCE**

January 19, 2009

United States Department of the Interior
Fish and Wildlife Service
70 Commercial Street, Suite 300
Concord, New Hampshire 03301-5087

Reference: Request for Agency Comments; Proposed Telecommunications Tower

Site Address: 50 Devine Street
North Haven, CT

To whom it may concern;

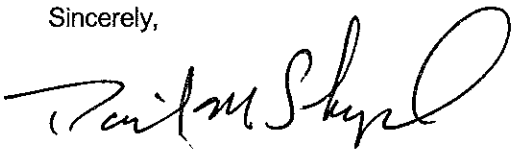
Infinigy Engineering and Surveying, PLLC, in cooperation with the Federal Communications Commission (FCC) is initiating Section 106 Consultation and conducting preliminary environmental reviews and requests for comment from various local, state and federal agencies in connection with above referenced telecommunications project.

Project Description

The proposed project includes the construction of a 150' monopole style communications tower within a fenced compound approximately 70' x 70' in size. The facility will initially accommodate a total of (6) antennas and a (10'x 15') concrete equipment pad within the proposed compound. The proposed site location is previously disturbed and graded to unknown depths below current surface grade.

Please contact me with any questions or comments regarding the enclosed information.

Sincerely,



Daniel M. Schweigard; Project Manager

Infinigy Engineering

Attachments:

- Project Location Map
- Area of Potential Effects- Direct
- Area of Potential Effects – Indirect
- CT Endangered Species Significant Natural Communities Map

cc: CT Department of Environmental Protection



United States Department of the Interior



FISH AND WILDLIFE SERVICE
New England Field Office
70 Commercial Street, Suite 300
Concord, New Hampshire 03301-5087
<http://www.fws.gov/northeast/newenglandfieldoffice>

RE: Telecommunications tower, North Haven, CT

February 23, 2009

Daniel Schweigard
Infinigy Engineering
300 Great Oaks Blvd., Suite 312
Albany, NY 12203

Dear Mr. Schweigard:

The U.S. Fish and Wildlife Service's (Service) New England Field Office has determined that individual project review for certain types of activities associated with communication towers is **not required**. These comments are submitted in accordance with provisions of the Endangered Species Act (ESA) of 1973 (87 Stat. 884, as amended; 16 U.S.C. 1531 *et seq.*).

Due to the rapid expansion of the telecommunication industry, we are receiving a growing number of requests for review of **existing** and **new** telecommunication facilities in relation to the presence of federally-listed or proposed, threatened or endangered species, critical habitat, wilderness areas and/or wildlife preserves. We have evaluated our review process for proposed communications towers and believe that individual correspondence with this office is not required for the following types of actions relative to **existing** facilities:

1. the re-licensing of existing telecommunication facilities;
2. audits of existing facilities associated with acquisition;
3. routine maintenance of existing tower sites, such as painting, antenna or panel replacement, upgrading of existing equipment, etc.;
4. co-location of new antenna facilities on/in existing structures;
5. repair or replacement of existing towers and/or equipment, provided such activities do not significantly increase the existing tower mass and height, or require the addition of guy wires.

In order to curtail the need to contact this office in the future for individual environmental review for **existing** communication towers or antenna facilities, please note that we are not aware of any federally-listed, threatened or endangered species that are being adversely affected by any existing communication tower or antenna facility in the following states: Vermont, New Hampshire, Rhode Island, Connecticut and Massachusetts. Furthermore, we are not aware of any **existing** telecommunication towers in federally-designated critical habitats, wilderness areas

or wildlife preserves. Therefore, no further consultation with this office relative to the impact of the above referenced activities on federally-listed species is required.

Future Coordination with this Office Relative to New Telecommunication Facilities

We have determined that proposed projects are not likely to adversely affect any federally-listed or proposed species when the following steps are taken to evaluate new telecommunication facilities:

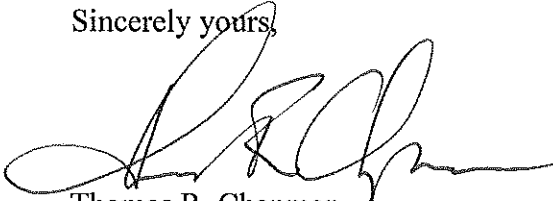
1. If the facility will be installed within or on an existing structure, such as in a church steeple or on the roof of an existing building, no further coordination with this office is necessary. Similarly, new antennas or towers in urban and other developed areas, in which no natural vegetation will be affected, do not require further review.
2. If the above criteria cannot be met, your review of our lists of threatened and endangered species locations within Vermont, New Hampshire, Rhode Island, Connecticut and Massachusetts may confirm that no federally-listed endangered or threatened species are known to occur in the town or county where the project is proposed.
3. If a listed species is present in the town or county where the project is proposed, further review of our lists of threatened and endangered species may allow you to conclude that suitable habitat for the species will not be affected. Based on past experiences, we anticipate that there will be few, if any, projects that are likely to impact piping plovers, roseate terns, bog turtles, Jesup's milk-vetch or other such species that are found on coastal beaches, riverine habitats or in wetlands because communication towers typically are not located in these habitats.

For projects that meet the above criteria, there is no need to contact this office for further project review. A copy of this letter should be retained in your file as the Service's determination that no listed species are present, or that listed species in the general area will not be affected. Due to high workload associated with responding to many individual requests for threatened and endangered species information, we will no longer be providing response letters for activities that meet the above criteria. This correspondence and the species lists remain valid until January 1, 2010. Updated consultation letters and species lists are available on our website:

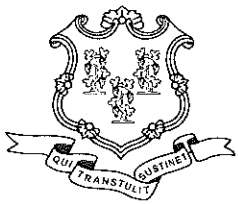
(<http://www.fws.gov/northeast/newenglandfieldoffice/EndangeredSpec-Consultation.htm>)

Thank you for your cooperation, and please contact Mr. Anthony Tur at 603-223-2541 for further assistance.

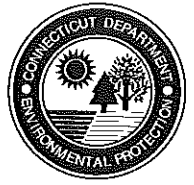
Sincerely yours,



Thomas R. Chapman
Supervisor
New England Field Office



STATE OF CONNECTICUT
DEPARTMENT OF ENVIRONMENTAL PROTECTION



Bureau of Natural Resources
Wildlife Division
79 Elm Street, Sixth Floor
Hartford, CT 06106
Natural Diversity Data Base

February 3, 2009

Mr. Daniel Schweigard
Infinigy Engineering
300 Great Oaks Blvd.
Suite 312
Albany, NY 12203

Re: Proposed Telecommunications Tower, 50 Devine St., North Haven, CT

Dear Mr. Schweigard:

I have reviewed Natural Diversity Data Base maps and files regarding the area delineated on the map you provided for the proposed telecommunications tower, 50 Devine St., North Haven, Connecticut. According to our information there are no extant populations of Federal or State Endangered, Threatened or Special Concern Species that occur on this property.

Natural Diversity Data Base information includes all information regarding critical biological resources available to us at the time of the request. This information is a compilation of data collected over the years by the Department of Environmental Protection's Natural History Survey and cooperating units of DEP, private conservation groups and the scientific community. This information is not necessarily the result of comprehensive or site-specific field investigations. Consultations with the Data Base should not be substitutes for on-site surveys required for environmental assessments. Current research projects and new contributors continue to identify additional populations of species and locations of habitats of concern, as well as, enhance existing data. Such new information is incorporated into the Data Base as it becomes available.

Please contact me if you have further questions at (860) 424-3592. Thank you for consulting the Natural Diversity Data Base. Also be advised that this is a preliminary review and not a final determination. A more detailed review may be conducted as part of any subsequent environmental permit applications submitted to DEP for the proposed site.

Sincerely,

Dawn M. McKay
Biologist/Environmental Analyst 3
Cc: NDDB File # 16690

DMM/hwo

STATE AND FEDERAL LISTED SPECIES AND SIGNIFICANT NATURAL COMMUNITIES

North Haven

LEGEND

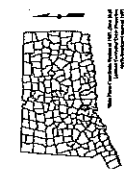
- Listed Species and Natural Communities*
- State Boundary
- County Boundary
- Town Boundary
- Coastline
- Primary Route
- Secondary Route
- Local Road
- Railroad
- Water, Shore
- Drainage Ditch
- Intermittent Water
- Dam
- Dredged Channel
- Aqueduct
- Water
- Intermittent Water
- Tidal, Sand Flats
- Rocks in Water
- Inundated Area
- Marsh
- Dam

TO USE MAP

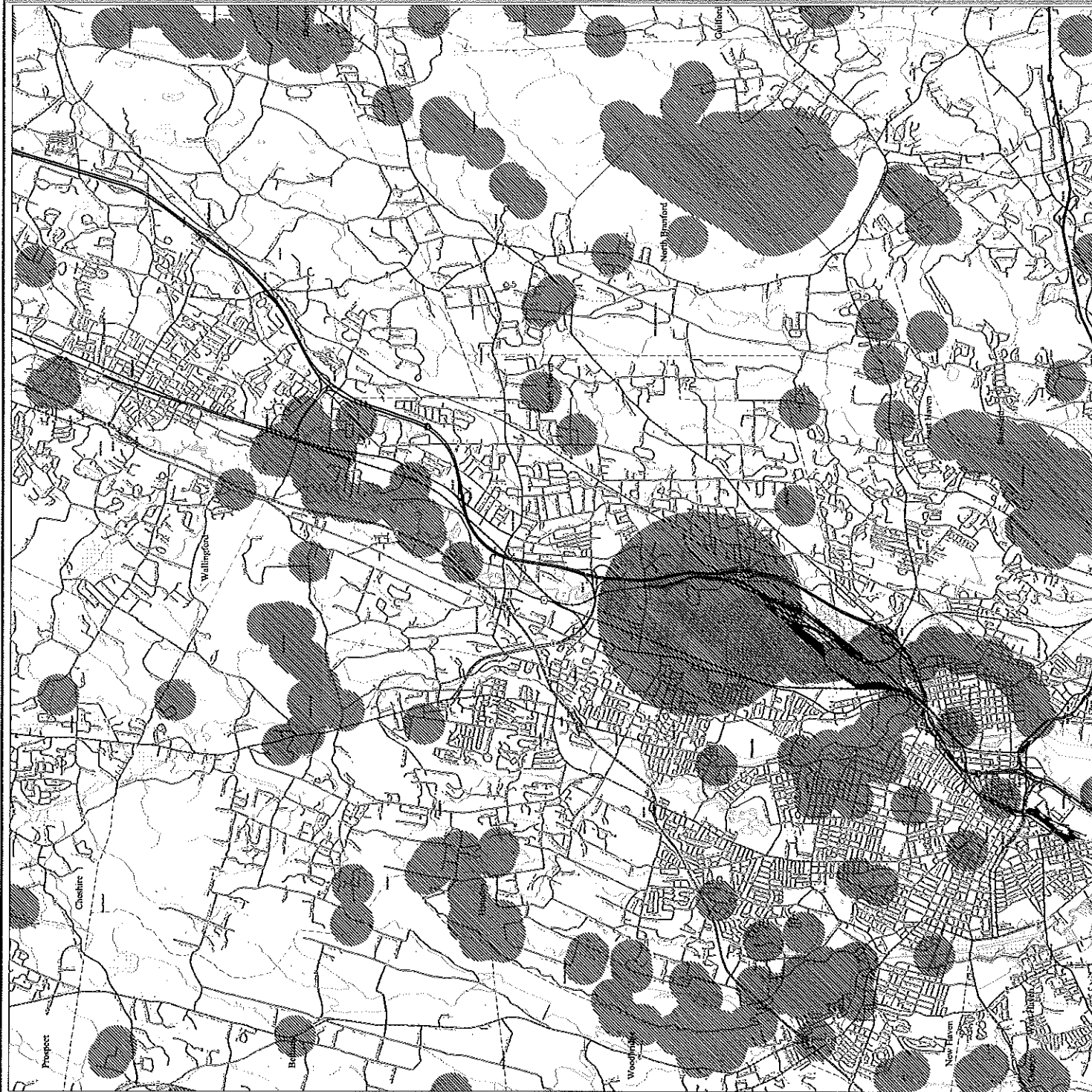
Local project boundaries and any additional species shown on this map. If this project is not within the town limits, 1/2 mile from a habitat area, the project is unlikely to affect any known occurrence of an endangered or threatened species, or a significant natural community. If the project is within a habitat area, then the project may have a potential conflict with a species or habitat area. A project description that is a copy of a map, clearly showing the project boundaries.

DATA SOURCES

BASE MAP INFORMATION: Political boundaries, railroads, and hydrography originally compiled by the Connecticut Department of Environmental Protection. The data is based on 1:50,000 scale topographic maps published by the Connecticut Department of Environmental Protection. The base map data was digitized by the Connecticut Department of Environmental Protection. The base map data was digitized by the Connecticut Department of Environmental Protection. The base map data was digitized by the Connecticut Department of Environmental Protection.



State of Connecticut
 Department of Environmental Protection
 1000 Main Street, 3rd Floor
 Hartford, CT 06103
 Phone: (860) 416-3000
 Fax: (860) 416-3001
 www.ct.gov/deep



February 13, 2009

Town of North Haven Planning and Zoning Department
18 Church Street
North Haven, CT 06473
Attn: Alan Fredricksen

Subject: Invitation to Comment
FTP/50 Devine Street, North Haven Connecticut 06473
Infinigy Project Number: 226-003

Infinigy Engineering and Surveying (**Infinigy**) is preparing an environmental review on behalf of Florida Tower Partners for the property noted above as part of its permit process and regulatory review by the FCC. The review is focused on NEPA compliance and includes an evaluation of whether historic properties or archaeological sites may be affected by the telecommunications facilities proposed for the site under Section 106 of the NHPA.

Infinigy would like to inquire if you would be interested in commenting on this proposed project. Please refer to the attached Project Summary Form for complete details regarding this proposed project.

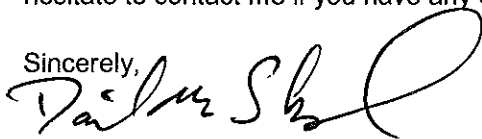
Please note that we are requesting your review of the attached information as part of the Section 106 process only and not as part of the local zoning process. We are only seeking comments related to the proposed project's potential effects on historic properties.

Please submit your comments regarding the proposed project's potential effects on historic properties to my attention at:

Infinigy Engineering and Surveying, PLLC
11 Herbert Drive
Latham, New York 12110

On behalf of Florida Tower Partners, I would appreciate your comments on this proposed telecommunications installation at your earliest convenience within the next 30 days. Please do not hesitate to contact me if you have any or concerns about the proposed project.

Sincerely,



Daniel Schweigard
Project Manager/Environmental Scientist
DSchweigard@infinigy.com
T (518) 690-0790
F (518) 690-0793

Attachment A – Project Summary Form
Attachment B – Figures, Drawings, Maps

From: Origin ID: DSWA (518) 690-0790
 Deborah Osterhoudt
 Infrigy Engineering & Surveying
 11 Herbert Drive

Lathan, NY 12110



20110941232823

Ship Date: 17FEB09
 ActWgt: 0.5 LB
 CAD: 8410285/NET9011
 Account#: S *****

Delivery Address Bar Code



Ref # 226-003
 Invoice #
 PO #
 Dept #

SHIP TO: (518) 690-0790

BILL SENDER

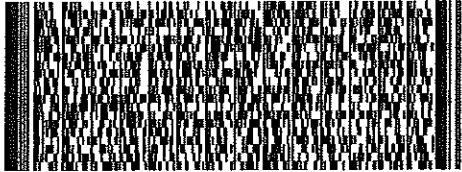
Alan Fredricksen
Town of North Haven
18 CHURCH ST

NORTH HAVEN, CT 06473

WED - 18FEB A4

TRK# 7973 4526 9953
 0201

PRIORITY OVERNIGHT



06473

CT-US

BDL

EC HVNA



After printing this label:

1. Use the 'Print' button on this page to print your label to your laser or inkjet printer.
2. Fold the printed page along the horizontal line.
3. Place label in shipping pouch and affix it to your shipment so that the barcode portion of the label can be read and scanned.

Use of this system constitutes your agreement to the service conditions in the current FedEx Service Guide, available on fedex.com. FedEx will not be responsible for any claim in excess of \$100 per package, whether the result of loss, damage, delay, non-delivery, misdelivery, or misinformation, unless you declare a higher value, pay an additional charge, document your actual loss and file a timely claim. Limitations found in the current FedEx Service Guide apply. Your right to recover from FedEx for any loss, including intrinsic value of the package, loss of sales, income interest, profit, attorney's fees, costs, and other forms of damage whether direct, incidental, consequential, or special is limited to the greater of \$100 or the authorized declared value. Recovery cannot exceed actual documented loss. Maximum for items of extraordinary value is \$500, e.g. jewelry, precious metals, negotiable instruments and other items listed in our Service Guide. Written claims must be filed within strict time limits, see current FedEx Service Guide.

February 13, 2009

Town of North Haven Cultural Center
23 Broadway
North Haven, Ct 06473

Subject: Invitation to Comment
FTP/50 Devine Street, North Haven Connecticut 06473
Infinigy Project Number: 226-003

Infinigy Engineering and Surveying (**Infinigy**) is preparing an environmental review on behalf of Florida Tower Partners for the property noted above as part of its permit process and regulatory review by the FCC. The review is focused on NEPA compliance and includes an evaluation of whether historic properties or archaeological sites may be affected by the telecommunications facilities proposed for the site under Section 106 of the NHPA.

Infinigy would like to inquire if you would be interested in commenting on this proposed project. Please refer to the attached Project Summary Form for complete details regarding this proposed project.

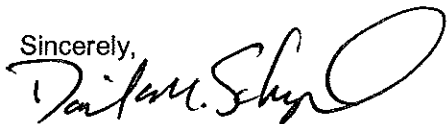
Please note that we are requesting your review of the attached information as part of the Section 106 process only and not as part of the local zoning process. We are only seeking comments related to the proposed project's potential effects on historic properties.

Please submit your comments regarding the proposed project's potential effects on historic properties to my attention at:

Infinigy Engineering and Surveying, PLLC
11 Herbert Drive
Latham, New York 12110

On behalf of Florida Tower Partners, I would appreciate your comments on this proposed telecommunications installation at your earliest convenience within the next 30 days. Please do not hesitate to contact me if you have any or concerns about the proposed project.

Sincerely,



Daniel Schweigard
Project Manager/Environmental Scientist
DSchweigard@infinigy.com
T (518) 690-0790
F (518) 690-0793

Attachment A – Project Summary Form
Attachment B – Figures, Drawings, Maps

From: Origin ID: DSV (518) 690-0790
Deborah Osterhoudt
Infinigy Engineering & Surveying
11 Herbert Drive

Latham, NY 12110



JUN119981232923

Ship Date: 17FEB09
Act Wgt: 0.5 LB
CAD: 8410285/NET9011
Account#: S *****

Delivery Address Bar Code



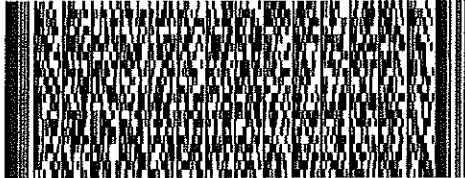
Ref # 226-003
Invoice #
PO #
Dept #

SHIP TO: (518) 690-0790 BILL SENDER
Historical Society
Town of North Haven Historical Soci
27 BROADWAY

NORTH HAVEN, CT 06473

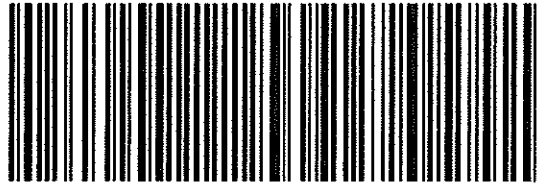
TRK# 7973 4530 0585
0201

WED - 18FEB A4
PRIORITY OVERNIGHT



EC HVNA

06473
CT-US
BDL



After printing this label:

1. Use the 'Print' button on this page to print your label to your laser or inkjet printer.
2. Fold the printed page along the horizontal line.
3. Place label in shipping pouch and affix it to your shipment so that the barcode portion of the label can be read and scanned.

Use of this system constitutes your agreement to the service conditions in the current FedEx Service Guide, available on fedex.com. FedEx will not be responsible for any claim in excess of \$100 per package, whether the result of loss, damage, delay, non-delivery, misdelivery, or misinformation, unless you declare a higher value, pay an additional charge, document your actual loss and file a timely claim. Limitations found in the current FedEx Service Guide apply. Your right to recover from FedEx for any loss, including intrinsic value of the package, loss of sales, income interest, profit, attorney's fees, costs, and other forms of damage whether direct, incidental, consequential, or special is limited to the greater of \$100 or the authorized declared value. Recovery cannot exceed actual documented loss. Maximum for items of extraordinary value is \$500, e.g. jewelry, precious metals, negotiable instruments and other items listed in our Service Guide. Written claims must be filed within strict time limits, see current FedEx Service Guide.

From: Origin ID: DSWA (518) 690-0790
 Deborah Osterhoudt
 Infrigny Engineering & Surveying
 11 Herbert Drive
 Latham, NY 12110



J90110981232923

SHIP TO: (518) 690-0790 BILL SENDER

Alan Fredricksen
Town of North Haven
18 CHURCH ST

NORTH HAVEN, CT 06473

Ship Date: 17FEB09
 ActWgt: 0.5 LB
 CAD: 8410285/NET9011
 Account#: S *****

Delivery Address Bar Code

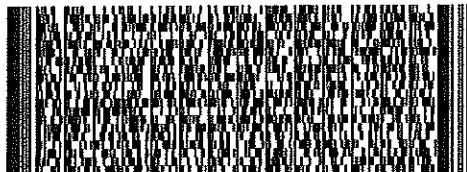


Ref # 226-003
 Invoice #
 PO #
 Dept #

WED - 18FEB A4

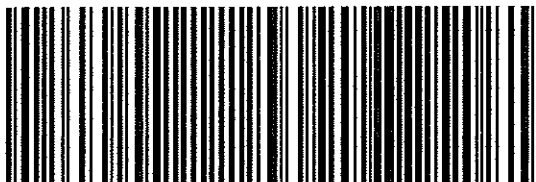
TRK# 7973 4526 9953
 0201

PRIORITY OVERNIGHT



06473
CT-US
BDL

EC HVNA



After printing this label:

1. Use the 'Print' button on this page to print your label to your laser or inkjet printer.
2. Fold the printed page along the horizontal line.
3. Place label in shipping pouch and affix it to your shipment so that the barcode portion of the label can be read and scanned.

Use of this system constitutes your agreement to the service conditions in the current FedEx Service Guide, available on fedex.com. FedEx will not be responsible for any claim in excess of \$100 per package, whether the result of loss, damage, delay, non-delivery, misdelivery, or misinformation, unless you declare a higher value, pay an additional charge, document your actual loss and file a timely claim. Limitations found in the current FedEx Service Guide apply. Your right to recover from FedEx for any loss, including intrinsic value of the package, loss of sales, income interest, profit, attorney's fees, costs, and other forms of damage whether direct, incidental, consequential, or special is limited to the greater of \$100 or the authorized declared value. Recovery cannot exceed actual documented loss. Maximum for items of extraordinary value is \$500, e.g. jewelry, precious metals, negotiable instruments and other items listed in our Service Guide. Written claims must be filed within strict time limits, see current FedEx Service Guide.

North Haven Historical Society

27 Broadway

North Haven, Connecticut 26473



3/12/09

To Intingy engineering & surveying

From Walter Brackett

North Haven Historical Society

Subject FTP / 50 Devine St. North Haven CT 06473
Project No. 226-003

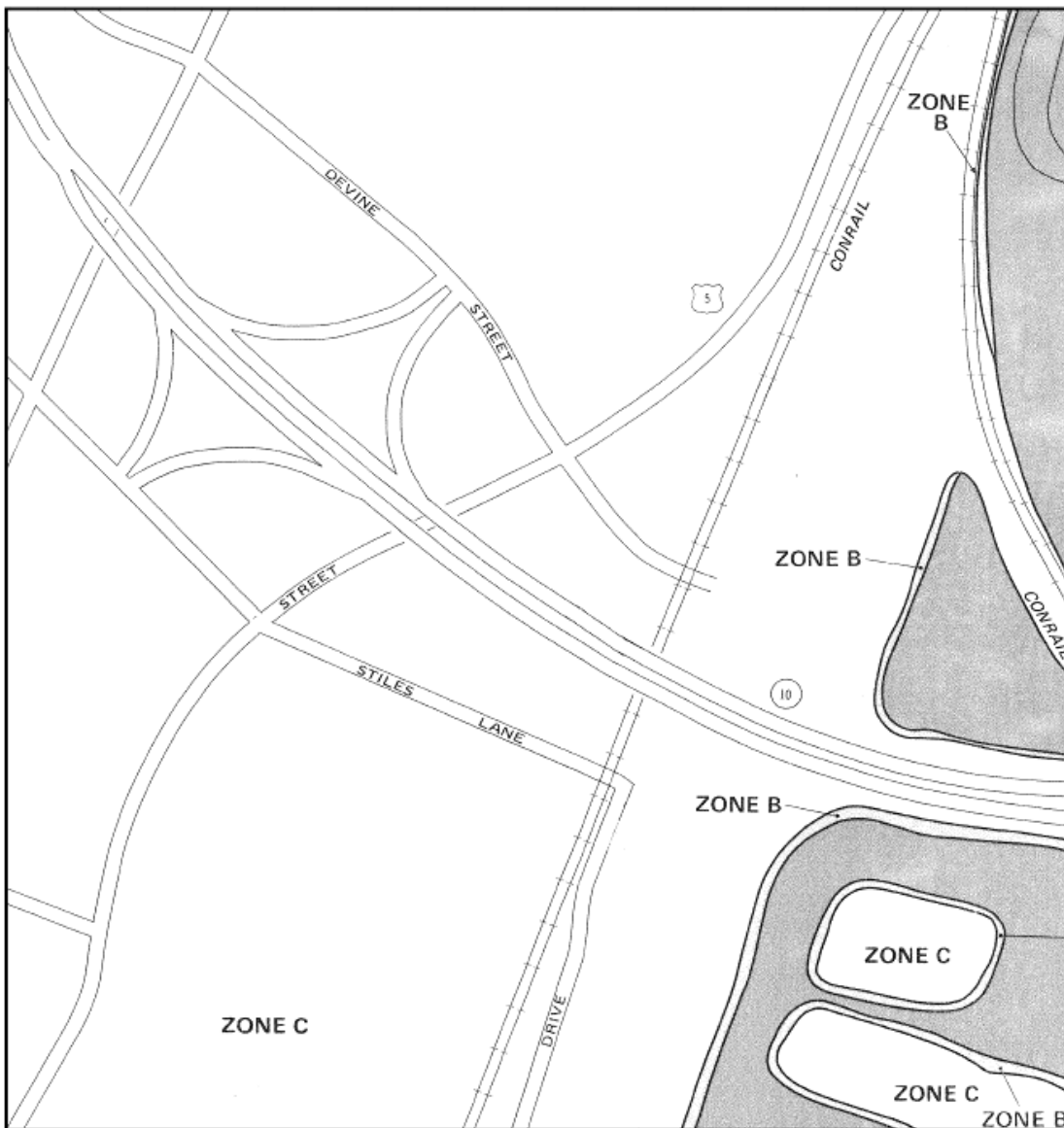
Thank you for information package on the proposed 150' monopole installation on Devine Street. We have reviewed the material you sent and, to the best of our knowledge, there are no structures of historical significance at that location.

Regards

Walter Brackett,
Treasurer

APPENDIX H

**FEMA FLOODPLAIN AND
WETLAND MAPS**



APPROXIMATE SCALE



NATIONAL FLOOD INSURANCE PROGRAM

FIRM
FLOOD INSURANCE RATE MAP

TOWN OF
NORTH HAVEN,
CONNECTICUT
NEW HAVEN COUNTY

PANEL 5 OF 8
(SEE MAP INDEX FOR PANELS NOT PRINTED)

COMMUNITY-PANEL NUMBER
090086 0005 B

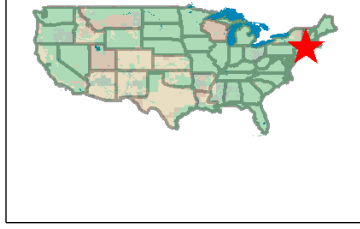
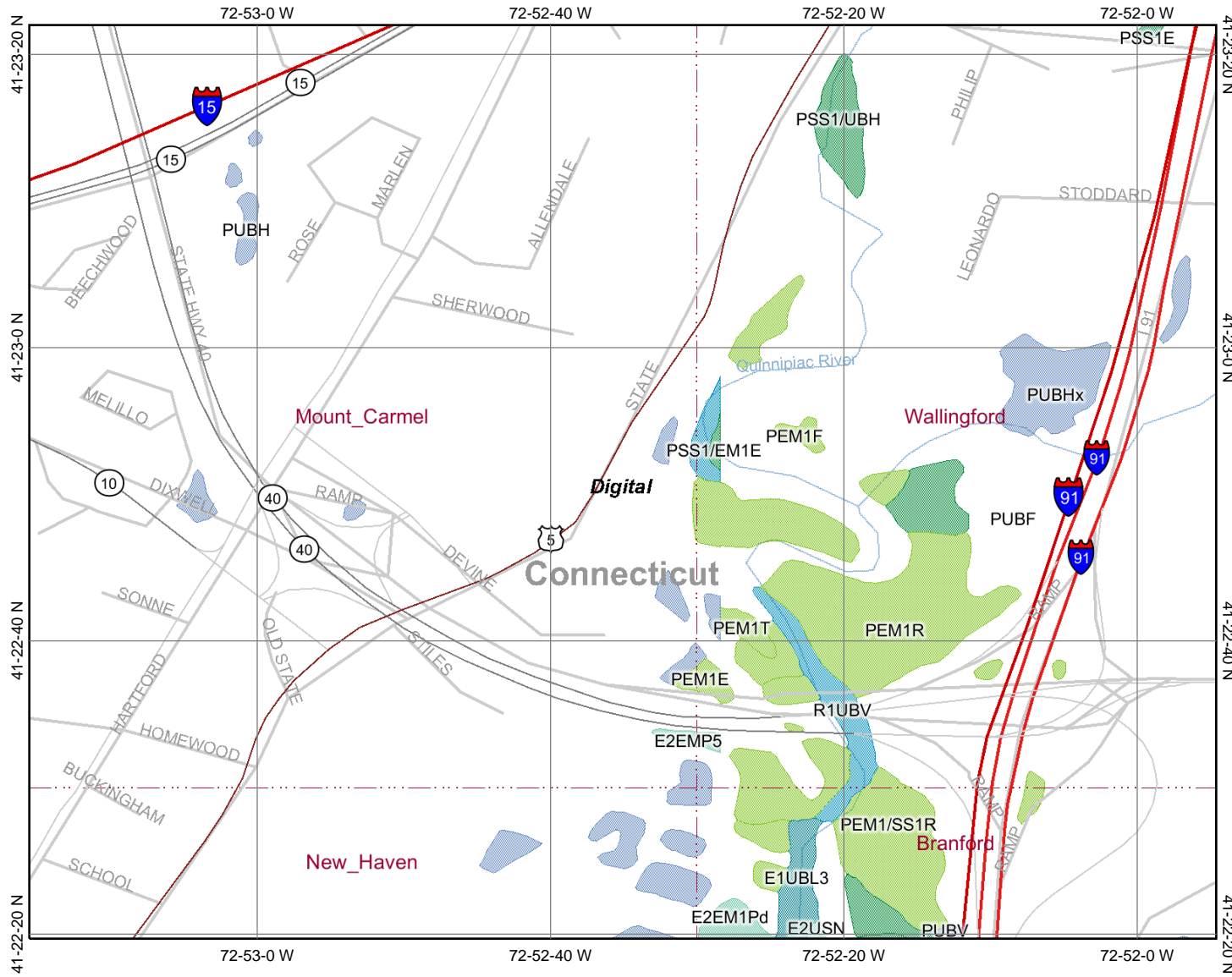
MAP REVISED:
MAY 1, 1985



Federal Emergency Management Agency

This is an official copy of a portion of the above referenced flood map. It was extracted using F-MIT On-Line. This map does not reflect changes or amendments which may have been made subsequent to the date on the title block. For the latest product information about National Flood Insurance Program flood maps check the FEMA Flood Map Store at www.msc.fema.gov

50 Devine Street, N. Haven , CT



Legend

- Ohio_wet_scan**
- 0
 - 1
 - Out of range
- Interstate**
- Major Roads**
- Other Road
 - Interstate
 - State highway
 - US highway
- Roads**
- Cities
 - USGS Quad Index 24K
- Lower 48 Wetland Polygons**
- Estuarine and Marine Deepwater
 - Estuarine and Marine Wetland
 - Freshwater Emergent Wetland
 - Freshwater Forested/Shrub Wetland
 - Freshwater Pond
 - Lake
 - Other
 - Riverine
- Lower 48 Available Wetland Data**
- Non-Digital
 - Digital
 - No Data
 - Scan
- NHD Streams**
- Counties 100K
 - States 100K
 - South America
 - North America



Scale: 1:13,481

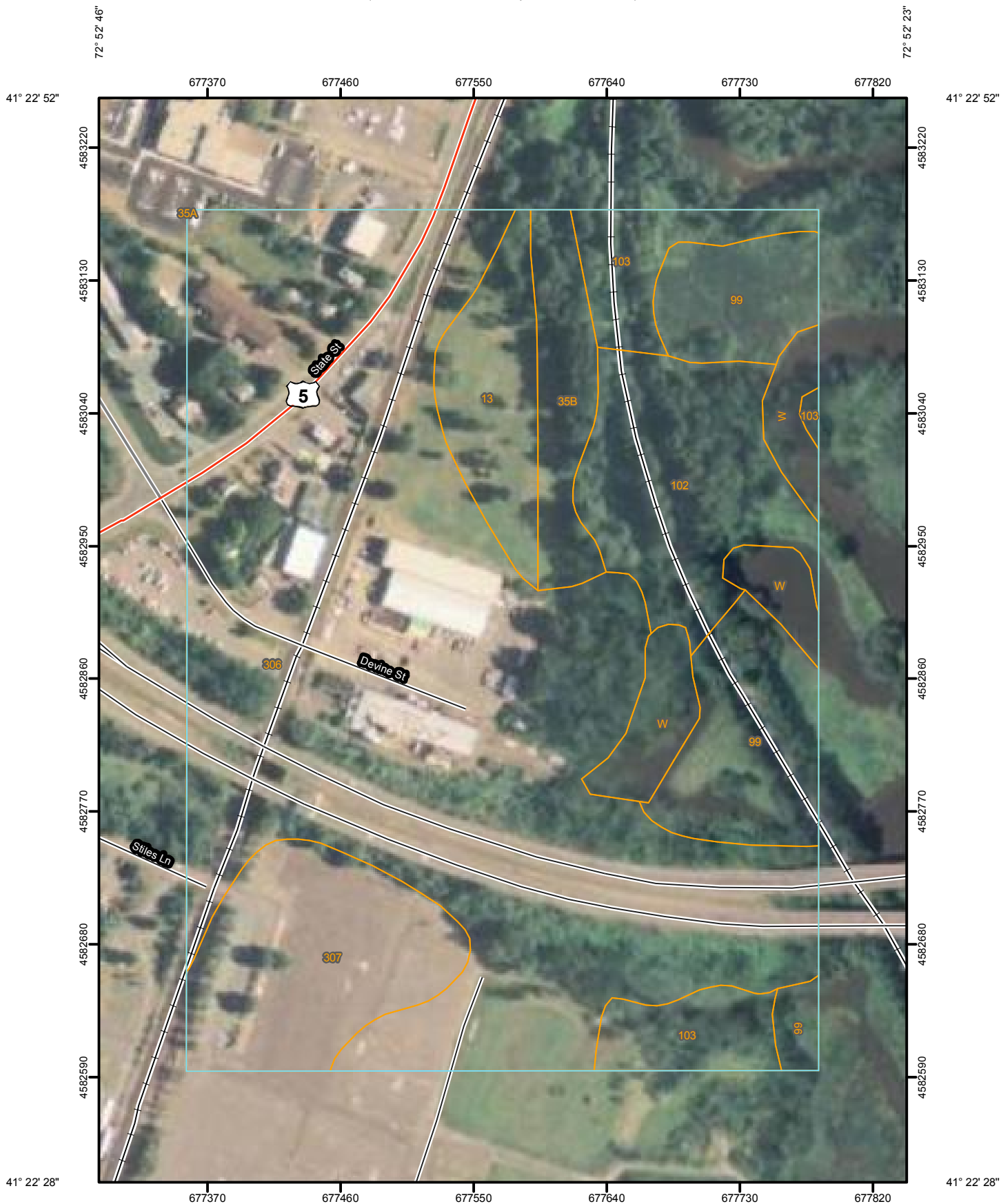
Map center: 41° 22' 51" N, 72° 52' 35" W

This map is a user generated static output from an Internet mapping site and is for general reference only. Data layers that appear on this map may or may not be accurate, current, or otherwise reliable. THIS MAP IS NOT TO BE USED FOR NAVIGATION.

APPENDIX I

USGS SOIL SURVEY MAP

Soil Map—State of Connecticut
(Devine Street FTP Proposed Tower Site)



72° 52' 47"




Map Scale: 1:3,510 if printed on A size (8.5" x 11") sheet.



Soil Map—State of Connecticut
(Devine Street FTP Proposed Tower Site)

MAP LEGEND














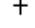
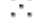
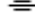





Area of Interest (AOI)




 Area of Interest (AOI)

Soils




 Soil Map Units

Special Point Features

-  Blowout
-  Borrow Pit
-  Clay Spot
-  Closed Depression
-  Gravel Pit
-  Gravelly Spot
-  Landfill
-  Lava Flow
-  Marsh or swamp
-  Mine or Quarry
-  Miscellaneous Water
-  Perennial Water
-  Rock Outcrop
-  Saline Spot
-  Sandy Spot
-  Severely Eroded Spot
-  Sinkhole
-  Slide or Slip
-  Sodic Spot
-  Spoil Area
-  Stony Spot

-  Very Stony Spot
-  Wet Spot
-  Other



Special Line Features

-  Gully
-  Short Steep Slope
-  Other






Political Features

-  Cities

Water Features

-  Oceans
-  Streams and Canals

Transportation

-  Rails
-  Interstate Highways
-  US Routes
-  Major Roads
-  Local Roads

MAP INFORMATION

Map Scale: 1:3,510 if printed on A size (8.5" × 11") sheet.

The soil surveys that comprise your AOI were mapped at 1:12,000.

Please rely on the bar scale on each map sheet for accurate map measurements.

Source of Map: Natural Resources Conservation Service
Web Soil Survey URL: <http://websoilsurvey.nrcs.usda.gov>
Coordinate System: UTM Zone 18N NAD83

This product is generated from the USDA-NRCS certified data as of the version date(s) listed below.

Soil Survey Area: State of Connecticut
Survey Area Data: Version 6, Mar 22, 2007

Date(s) aerial images were photographed: 8/14/2006; 8/13/2006

The orthophoto or other base map on which the soil lines were compiled and digitized probably differs from the background imagery displayed on these maps. As a result, some minor shifting of map unit boundaries may be evident.

Map Unit Legend

State of Connecticut (CT600)			
Map Unit Symbol	Map Unit Name	Acres in AOI	Percent of AOI
13	Walpole sandy loam	2.8	4.5%
35A	Penwood loamy sand, 0 to 3 percent slopes	0.0	0.0%
35B	Penwood loamy sand, 3 to 8 percent slopes	2.2	3.6%
99	Westbrook mucky peat, low salt	6.0	9.7%
102	Pootatuck fine sandy loam	5.2	8.4%
103	Rippowam fine sandy loam	3.3	5.4%
306	Udorthents-Urban land complex	34.3	55.7%
307	Urban land	5.2	8.5%
W	Water	2.6	4.2%
Totals for Area of Interest		61.7	100.0%