

**PROJECT DESCRIPTION:**

CONSTRUCTION OF PUBLIC UTILITY/PERSONAL WIRELESS SERVICE FACILITY CONSISTING OF A MONOPOLE TOWER, INITIALLY (2) PRIMARY EQUIPMENT CABINETS, AND A UTILITY BACKBOARD WITHIN A FENCED COMPOUND. NO WATER OR SEWER IS REQUIRED.

**CODE COMPLIANCE:**

ALL WORK AND MATERIALS SHALL BE PERFORMED AND INSTALLED IN ACCORDANCE WITH THE CURRENT EDITIONS OF THE FOLLOWING CODES AS ADOPTED BY THE LOCAL GOVERNING AUTHORITIES. NOTHING IN THESE PLANS IS TO BE CONSTRUED TO PERMIT WORK NOT CONFORMING TO THE LATEST EDITIONS OF THE FOLLOWING:

- |  |                           |
|--|---------------------------|
| 1. CT BUILDING CODE                                  | 5. ANSI/TIA/EIA-222-F     |
| 2. UNIFORM BUILDING CODE                             | 6. UNIFORM PLUMBING CODE  |
| 3. BUILDING OFFICIALS AND CODE ADMINISTRATORS (BOCA) | 7. NATIONAL ELECTRIC CODE |
| 4. UNIFORM MECHANICAL CODE                           | 8. LOCAL BUILDING CODE    |
|  | 9. CITY/COUNTY ORDINANCES |

# Phoenix Partnership

**NORTH HAVEN  
SITE ID: CTNH 101  
50 DEVINE ST.  
NORTH HAVEN, CT 06473**

**PROJECT INFORMATION**

SITE NAME: NORTH HAVEN  
 SITE ID: CTNH 101  
 SITE ADDRESS: 50 DEVINE ST.  
 NORTH HAVEN, CT 06473  
 ZONING JURISDICTION: CONNECTICUT SITING COUNCIL  
 ZONING CLASSIFICATION: IG-80  
 PARCEL ID: MAP PARCEL: 51, LOT: 21  
 PARENT PARCEL SIZE: 6.037 AC. ±262,960 SQ. FT.  
 CONSTRUCTION AREA: ±7,000 SQ. FEET  
 LATITUDE: 41° 22' 40.00" N  
 LONGITUDE: 72° 52' 34.17" W

**PROJECT DIRECTORY**

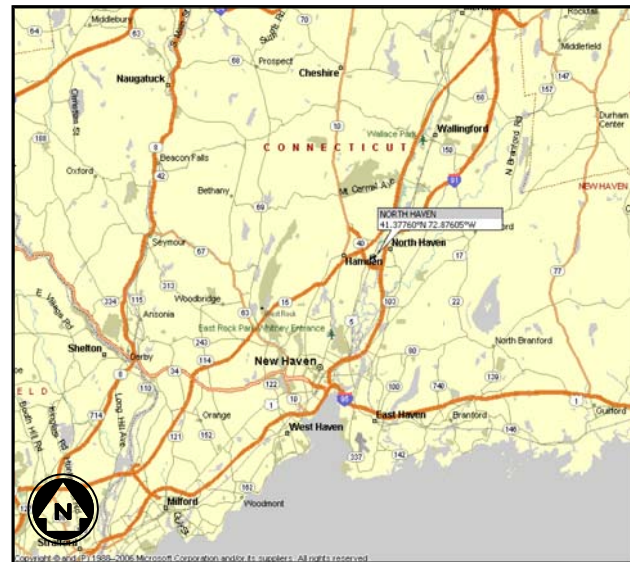
PROPERTY OWNER: 424 CHAPEL STREET, LLC  
 424 CHAPEL STREET  
 NORTH HAVEN, CT 06511  
 CONTACT: TEL: (203) 772-2420  
 APPLICANT: PHOENIX PARTNERSHIP, LLC  
 110 WASHINGTON AVE  
 NORTH HAVEN, CT 06473  
 CONTACT: KEITH COPPINS  
 (203) 623-3287  
 ENGINEER: INFINIGY ENGINEERING & SURVEYING, PLLC  
 11 HERBERT DRIVE  
 LATHAM, NY 12110  
 CONTACT: PAUL FANOS  
 PHONE: (518) 690-0790  
 ATTORNEY: COHEN & WOLF, P.C.  
 1115 BROAD STREET  
 BRIDGEPORT, CT 06604  
 CONTACT: JULIE D. KOHLER, ESQ.  
 PHONE: (203) 337-4157

POWER COMPANY: UNITED ILLUMINATING

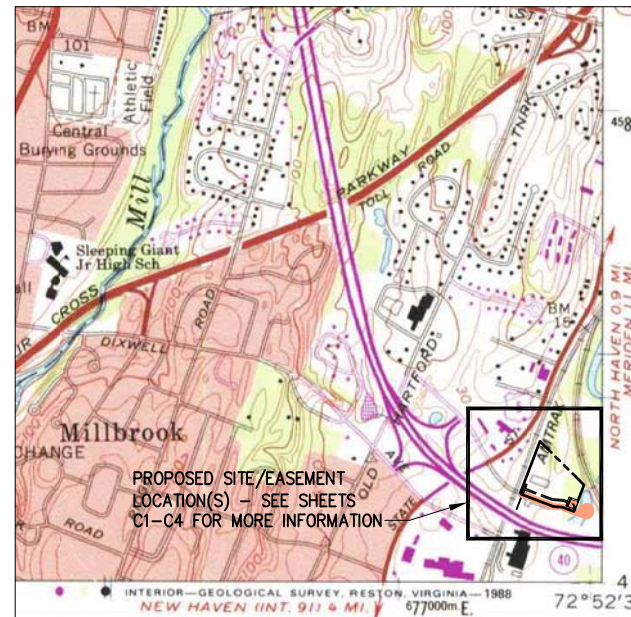
TELCO COMPANY: TBD

**DRAWING INDEX**

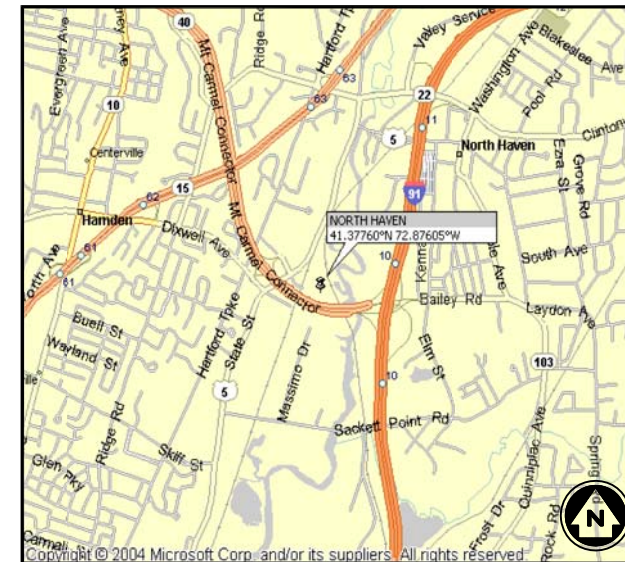
DRWG. #	TITLE	REV.#	DATE
T1	TITLE SHEET	1	03/31/10
C1	OVERALL SITE PLANS	1	03/31/10
C2	OVERALL SITE LAYOUT	1	03/31/10
C3	ENLARGED SITE LAYOUT	1	03/31/10
C4	GRADING PLAN	1	03/31/10
C5	GRADING NOTES & DETAILS	1	03/31/10
C6	ELEVATION VIEW & DETAILS	1	03/31/10
C7	DETAILS	1	03/31/10
C8	DETAILS	1	03/31/10
C9	DETAILS	1	03/31/10
C10	DETAILS	1	03/31/10



VICINITY MAP  
N.T.S.



USGS MAP - KEY MAP  
APPROXIMATE SCALE: 1"=2000'



LOCATION MAP  
N.T.S.

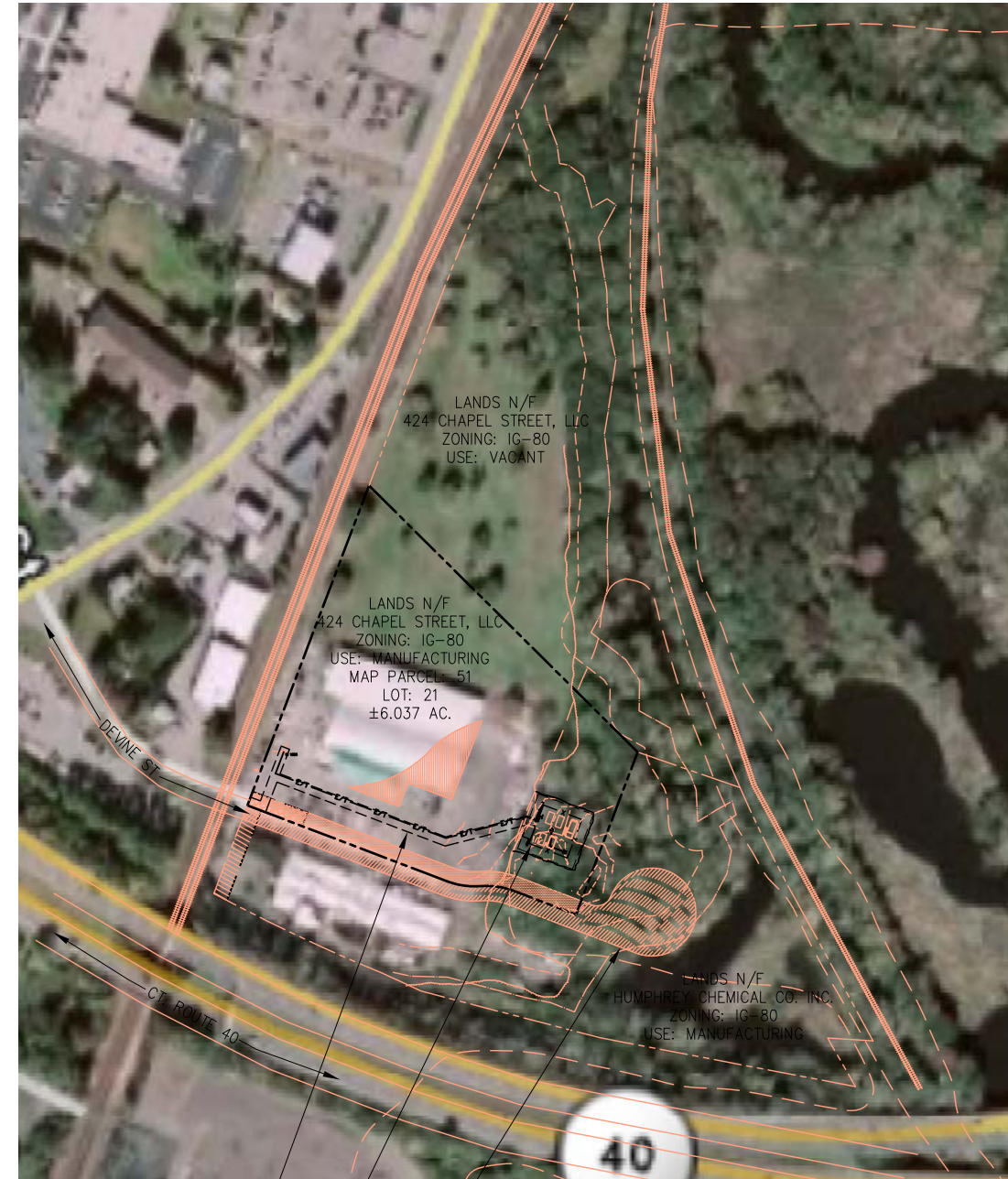
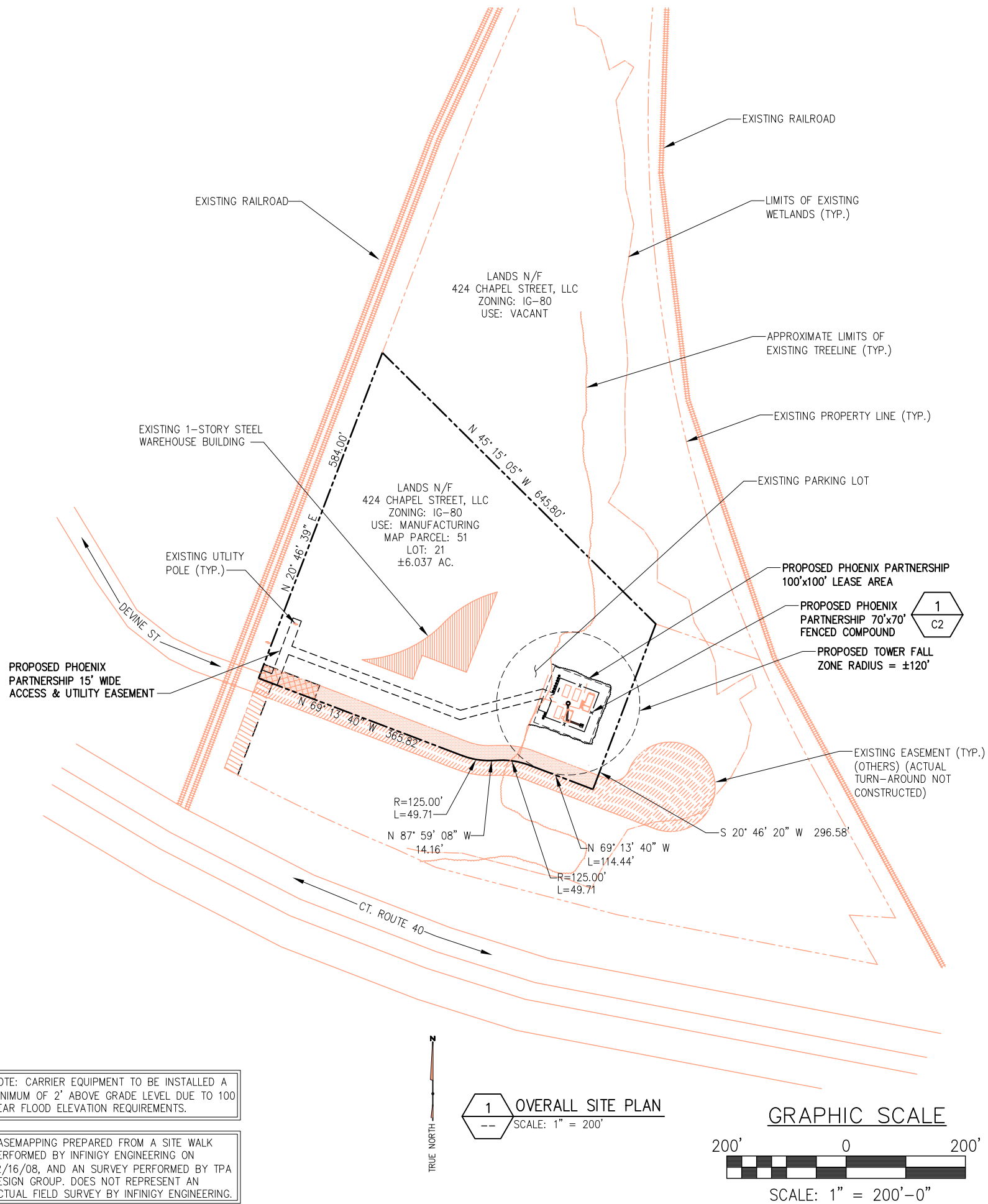
**infinigy**  
 engineering  
 & surveying

11 HERBERT DRIVE  
 LATHAM, NY 12110  
 OFFICE #: (518) 690-0790  
 FAX #: (518) 690-0793

PROPOSED TOWER HEIGHT: ±120' AGL  
 LATITUDE: 41° 22' 40.00" N  
 LONGITUDE: 72° 52' 34.17" W  
 ELEVATION: ±8.0' AGL

**NEW HAVEN COUNTY, CONNECTICUT**

**DIG ALERT:**  
 CALL FOR UNDERGROUND UTILITIES PRIOR TO DIGGING:  
 1-888-922-4455  
**EMERGENCY:**  
 CALL 911



PROPOSED PHOENIX PARTNERSHIP 15' WIDE ACCESS & UTILITY EASEMENT

1 C2 PROPOSED PHOENIX PARTNERSHIP 70'x70' FENCED COMPOUND

EXISTING EASEMENT (TYP.) (OTHERS) (ACTUAL TURN-AROUND NOT CONSTRUCTED)

UNAUTHORIZED ALTERATION OR ADDITION TO THIS DOCUMENT IS A VIOLATION OF APPLICABLE STATE AND/OR LOCAL LAWS

1	REVISED PER CLIENT	SJB	03/31/10
0	ISSUED FOR REVIEW	SJB	03/16/10
No.	Submittal / Revision	App'd	Date
Drawn:	SJB	Date:	03/31/10
Designed:	AGF	Date:	03/31/10
Checked:	SJB	Date:	03/31/10

Project Number  
226-003

Project Title  
**NORTH HAVEN  
CTNH 101**  
50 DEVINE ST.  
NORTH HAVEN, CT 06473

Prepared For



THIS DOCUMENT IS THE DESIGN PROPERTY AND COPYRIGHT OF INFINIGY ENGINEERING & SURVEYING. NO PART OF THIS DOCUMENT IS TO BE REPRODUCED OR TRANSMITTED IN ANY FORM OR BY ANY MEANS, ELECTRONIC OR MECHANICAL, WITHOUT THE EXPRESS WRITTEN CONSENT OF THE CREATOR. THIS IS STRICTLY PROHIBITED.

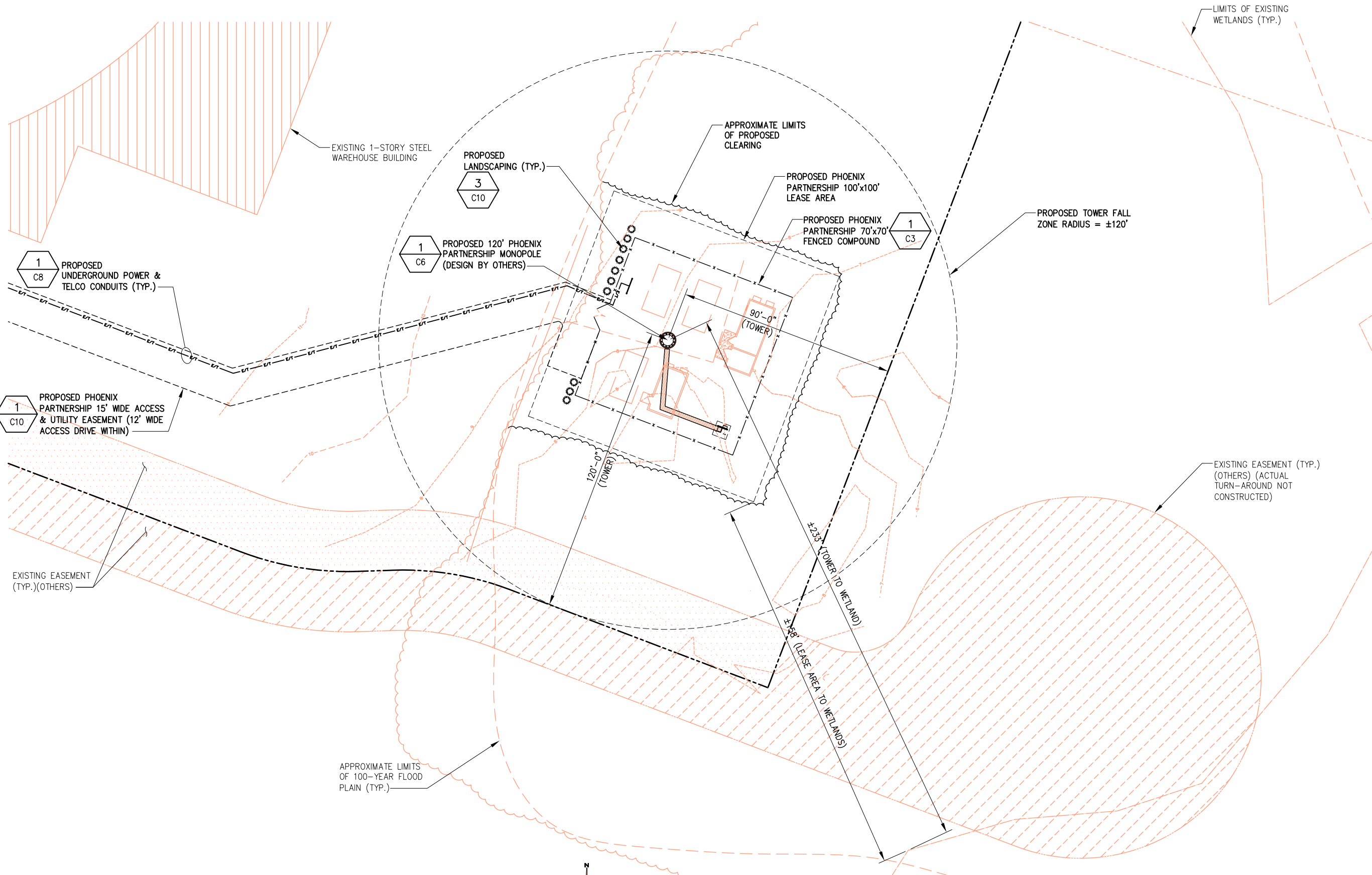
Drawing Scale:  
AS NOTED  
Date:  
03/31/10

**D&M**

Drawing Title  
**OVERALL  
SITE PLANS**

Drawing Number

**C1**

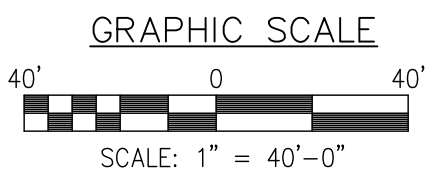


NOTE: CARRIER EQUIPMENT TO BE INSTALLED A MINIMUM OF 2' ABOVE GRADE LEVEL DUE TO 100 YEAR FLOOD ELEVATION REQUIREMENTS.

BASEMAPPING PREPARED FROM A SITE WALK PERFORMED BY INFINIGY ENGINEERING ON 12/16/08, AND AN SURVEY PERFORMED BY TPA DESIGN GROUP. DOES NOT REPRESENT AN ACTUAL FIELD SURVEY BY INFINIGY ENGINEERING.



1 OVERALL SITE LAYOUT  
SCALE: 1" = 40'



**infinigy**  
engineering & surveying  
11 Herbert Drive  
Latham, NY 12110  
OFFICE: (518) 690-0790  
FAX: (518) 690-0793

UNAUTHORIZED ALTERATION OR ADDITION TO THIS DOCUMENT IS A VIOLATION OF APPLICABLE STATE AND/OR LOCAL LAWS

1	REVISED PER CLIENT	SJB	03/31/10
0	ISSUED FOR REVIEW	SJB	03/16/10
No.	Submittal / Revision	App'd	Date
Drawn:	SJB	Date:	03/31/10
Designed:	AGF	Date:	03/31/10
Checked:	SJB	Date:	03/31/10

Project Number  
226-003

Project Title  
**NORTH HAVEN  
CTNH 101**  
50 DEVINE ST.  
NORTH HAVEN, CT 06473

Prepared For



THIS DOCUMENT IS THE DESIGN PROPERTY AND COPYRIGHT OF INFINIGY ENGINEERING & SURVEYING. NO PART OF THIS DOCUMENT IS TO BE REPRODUCED, COPIED, OR TRANSMITTED IN ANY FORM OR BY ANY MEANS, ELECTRONIC OR MECHANICAL, WITHOUT THE EXPRESS WRITTEN CONSENT OF THE CREATOR IS STRICTLY PROHIBITED.

Drawing Scale:  
AS NOTED  
Date:  
03/31/10  
**D&M**

Drawing Title  
**OVERALL  
SITE  
LAYOUT**

Drawing Number  
**C2**


UNAUTHORIZED ALTERATION OR ADDITION TO THIS DOCUMENT IS A VIOLATION OF APPLICABLE STATE AND/OR LOCAL LAWS

No.	Submittal / Revision	App'd	Date
1	REVISED PER CLIENT	SJB	03/31/10
0	ISSUED FOR REVIEW	SJB	03/16/10

Drawn: SKB Date: 03/31/10  
 Designed: AGF Date: 03/31/10  
 Checked: SJB Date: 03/31/10

Project Number  
 226-003

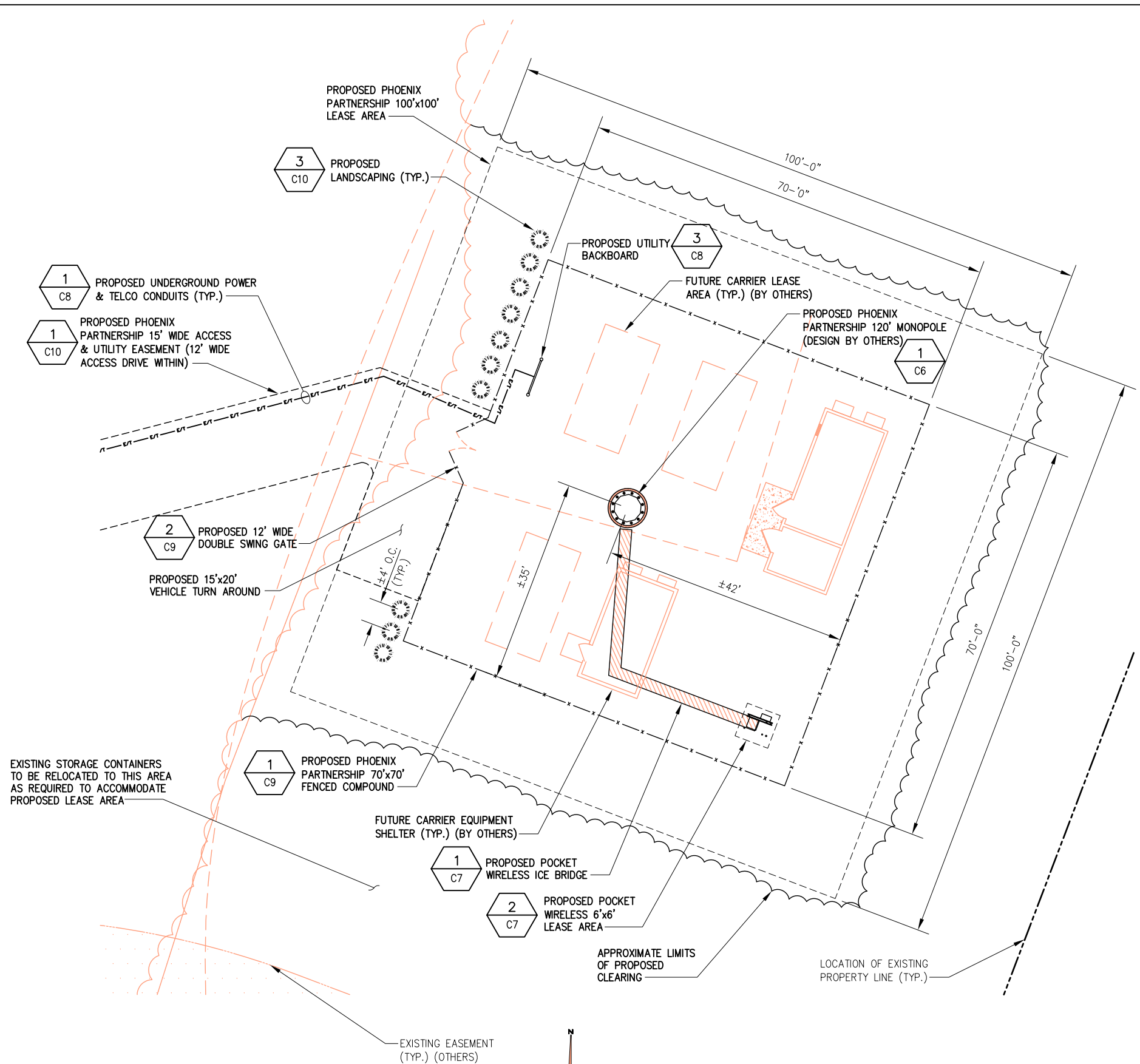
Project Title  
**NORTH HAVEN  
 CTNH 101**  
 50 DEVINE ST.  
 NORTH HAVEN, CT 06473

Prepared For  
  
THIS DOCUMENT IS THE DESIGN PROPERTY AND COPYRIGHT OF INFINIGY ENGINEERING & SURVEYING. NO PART OF THIS DOCUMENT IS TO BE REPRODUCED OR TRANSMITTED IN ANY FORM OR BY ANY MEANS, ELECTRONIC OR MECHANICAL, WITHOUT THE EXPRESS WRITTEN CONSENT OF THE CREATOR. THIS IS STRICTLY PROHIBITED.

Drawing Scale:  
 AS NOTED  
 Date:  
 03/31/10  
**D&M**

Drawing Title  
**ENLARGED  
 SITE  
 LAYOUT**

Drawing Number  
**C3**

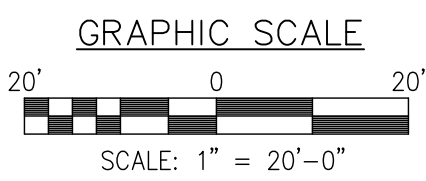
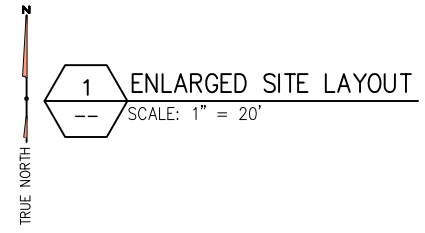


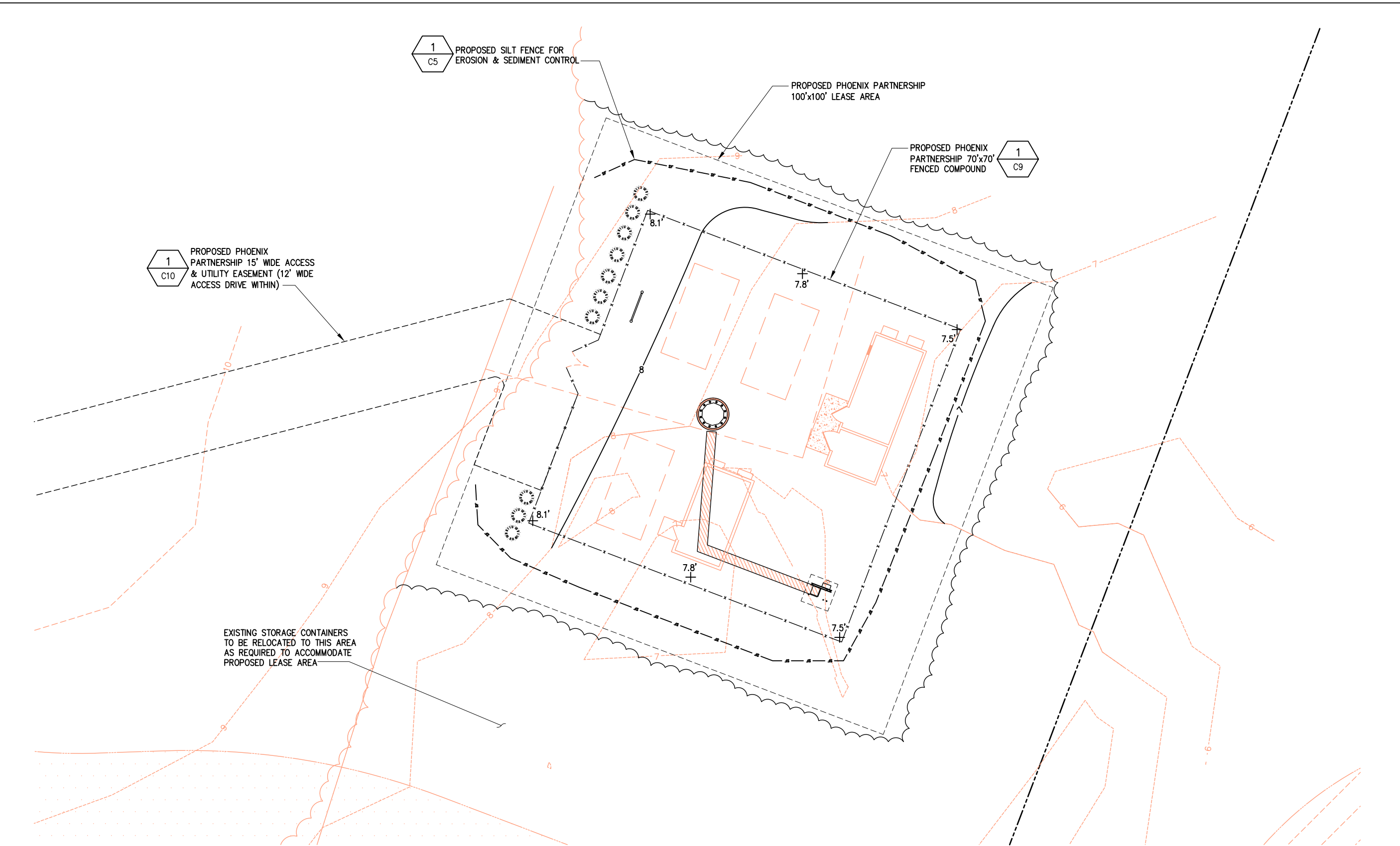
**GENERAL SITE NOTES:**

1. THE SUBGRADE SHALL BE COMPACTED AND BROUGHT TO A SMOOTH UNIFORM GRADE PRIOR TO FINISHED SURFACE APPLICATION.
2. ALL EXISTING ACTIVE SEWER, WATER, GAS, ELECTRIC, AND OTHER UTILITIES WHERE ENCOUNTERED IN THE WORK, SHALL BE PROTECTED AT ALL TIMES, AND WHERE REQUIRED FOR THE PROPER EXECUTION OF THE WORK, SHALL BE RELOCATED AS DIRECTED BY ENGINEERS. EXTREME CAUTION SHOULD BE USED BY THE CONTRACTOR WHEN EXCAVATING OR PIER DRILLING AROUND OR NEAR UTILITIES. CONTRACTOR SHALL PROVIDE SAFETY TRAINING FOR THE WORKING ENGINEER.
3. ALL EXISTING INACTIVE SEWER, WATER, GAS, ELECTRIC, AND OTHER UTILITIES, WHICH INTERFERE WITH THE EXECUTION OF THE WORK, SHALL BE REMOVED AND/OR CAPPED, PLUGGED OR OTHERWISE DISCONTINUED AT POINTS WHICH WILL NOT INTERFERE WITH THE EXECUTION OF THE WORK, SUBJECT TO THE APPROVAL OF AN ENGINEER.
4. THE SITE SHALL BE GRADED TO CAUSE SURFACE WATER TO FLOW AWAY FROM EQUIPMENT.
5. GARBAGE, STUMPS, DEBRIS, STICKS, STONES AND OTHER REFUSE SHALL BE REMOVED FROM THE SITE AND DISPOSED OF IN A LEGAL MANNER..
6. THE AREAS OF THE OWNERS PROPERTY DISTURBED BY THE WORK AND NOT COVERED BY THE BUILDING OR DRIVEWAY, SHALL BE GRADED TO A UNIFORM SLOPE, FERTILIZED, AND SEEDED.
7. ALL SITE WORK SHALL BE AS INDICATED ON THE DRAWINGS AND STIPULATED IN THE SPECIFICATION SUMMARY.
8. NO FILL OR EMBANKMENT MATERIAL SHALL BE PLACED ON FROZEN GROUND. FROZEN MATERIALS, SNOW OR ICE SHALL NOT BE PLACED IN ANY FILL OR EMBANKMENT.
9. CONTRACTOR IS TO SUPPLY 8-COMBINATION LOCKS (MASTER LOCK 175LH, PART NUMBER 71649 39565).

NOTE: CARRIER EQUIPMENT TO BE INSTALLED A MINIMUM OF 2' ABOVE GRADE LEVEL DUE TO 100 YEAR FLOOD ELEVATION REQUIREMENTS.

BASEMAPPING PREPARED FROM A SITE WALK PERFORMED BY INFINIGY ENGINEERING ON 12/16/08, AND AN SURVEY PERFORMED BY TPA DESIGN GROUP. DOES NOT REPRESENT AN ACTUAL FIELD SURVEY BY INFINIGY ENGINEERING.



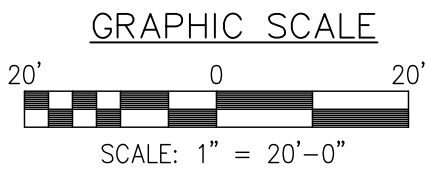


NOTE: CARRIER EQUIPMENT TO BE INSTALLED A MINIMUM OF 2' ABOVE GRADE LEVEL DUE TO 100 YEAR FLOOD ELEVATION REQUIREMENTS.

BASEMAPPING PREPARED FROM A SITE WALK PERFORMED BY INFINIGY ENGINEERING ON 12/16/08, AND AN SURVEY PERFORMED BY TPA DESIGN GROUP. DOES NOT REPRESENT AN ACTUAL FIELD SURVEY BY INFINIGY ENGINEERING.



1  
-- GRADING PLAN  
SCALE: 1" = 20'



**infinigy**  
engineering & surveying  
11 Herbert Drive  
Latham, NY 12110  
OFFICE: (518) 690-0790  
FAX: (518) 690-0793

UNAUTHORIZED ALTERATION OR ADDITION TO THIS DOCUMENT IS A VIOLATION OF APPLICABLE STATE AND/OR LOCAL LAWS

1	REVISED PER CLIENT	SJB	03/31/10
0	ISSUED FOR REVIEW	SJB	03/16/10
No.	Submittal / Revision	App'd	Date
Drawn:	SJB	Date:	03/31/10
Designed:	AGF	Date:	03/31/10
Checked:	SJB	Date:	03/31/10

Project Number  
226-003

Project Title  
**NORTH HAVEN  
CTNH 101**  
50 DEVINE ST.  
NORTH HAVEN, CT 06473

Prepared For

THIS DOCUMENT IS THE DESIGN PROPERTY AND COPYRIGHT OF INFINIGY ENGINEERING & SURVEYING. NO PART OF THIS DOCUMENT IS TO BE REPRODUCED, COPIED, OR TRANSMITTED IN ANY FORM OR BY ANY MEANS, ELECTRONIC OR MECHANICAL, WITHOUT THE EXPRESS WRITTEN CONSENT OF THE CREATOR. THIS DOCUMENT IS STRICTLY PROHIBITED.

Drawing Scale:  
AS NOTED

Date:  
03/31/10

**D&M**

Drawing Title  
**GRADING PLAN**

Drawing Number  
**C4**

**GRADING & EXCAVATING NOTES:**

- ALL EXCAVATIONS ON WHICH CONCRETE IS TO BE PLACED SHALL BE SUBSTANTIALLY HORIZONTAL ON UNDISTURBED AND UNFROZEN SOIL AND BE FREE FROM LOOSE MATERIAL AND EXCESS GROUNDWATER. DEWATERING FOR EXCESS GROUNDWATER SHALL BE PROVIDED IF REQUIRED.
- CONCRETE FOUNDATIONS SHALL NOT BE PLACED ON ORGANIC MATERIAL. IF SOUND SOIL IS NOT REACHED AT THE DESIGNATED EXCAVATION DEPTH, THE UNSATISFACTORY SOIL SHALL BE EXCAVATED TO ITS FULL DEPTH AND EITHER BE REPLACED WITH MECHANICALLY COMPACTED GRANULAR MATERIAL OR THE EXCAVATION BE FILLED WITH CONCRETE OF THE SAME QUALITY SPECIFIED FOR THE FOUNDATION.
- ANY EXCAVATION OVER THE REQUIRED DEPTH SHALL BE FILLED WITH EITHER MECHANICALLY COMPACTED GRANULAR MATERIAL OR CONCRETE OF THE SAME QUALITY SPECIFIED FOR THE FOUNDATION. CRUSHED STONE MAY BE USED TO STABILIZE THE BOTTOM OF THE EXCAVATION. STONE, IF USED, SHALL NOT BE USED AS COMPILING CONCRETE THICKNESS.
- AFTER COMPLETION OF THE FOUNDATION AND OTHER CONSTRUCTION BELOW GRADE, AND BEFORE BACKFILLING, ALL EXCAVATIONS SHALL BE CLEAN OF UNSUITABLE MATERIAL SUCH AS VEGETATION, TRASH, DEBRIS, AND SO FORTH.
- USE APPROVED MATERIALS CONSISTING OF EARTH, LOAM, SANDY CLAY, SAND  
-BE FREE FROM CLODS OR STONES OVER 2-1/2" MAXIMUM DIMENSIONS  
-BE PLACED IN 6" LAYERS AND COMPACTED TO 95% STANDARD PROCTOR EXCEPT IN GRASSED/LANDSCAPED AREAS, WHERE 90% STANDARD PROCTOR
- REMOVE ALL VEGETATION, TOPSOIL, DEBRIS, WET AND UNSATISFACTORY SOIL MATERIALS, OBSTRUCTIONS, AND DELETERIOUS MATERIALS FROM GROUND SURFACE PRIOR TO PLACING FILLS. PLOW, STRIP, OR BREAK UP SLOPED SURFACES STEEPER THAN THAN 1 VERTICAL TO 4 HORIZONTAL SO FILL MATERIAL WILL BOND WITH EXISTING SURFACE. WHEN SUBGRADE OR EXISTING GROUND SURFACE TO RECEIVE FILL HAS A DENSITY LESS THAN THAT REQUIRED FOR FILL, BREAK UP GROUND SURFACE TO DEPTH REQUIRED, PULVERIZE, MOISTURE-CONDITION OR AERATE SOIL AND RECOMPACT TO REQUIRED DENSITY.
- PROTECT EXISTING GRAVEL SURFACING AND SUBGRADE IN AREAS WHERE EQUIPMENT LOADS WILL OPERATE. USE PLANKING OR OTHER SUITABLE MATERIALS DESIGNED TO SPREAD EQUIPMENT LOADS. REPAIR DAMAGE TO EXISTING GRAVEL SURFACING OR SUBGRADE WHERE SUCH DAMAGE IS DUE TO THE CONTRACTOR'S OPERATIONS. DAMAGED GRAVEL SURFACING SHALL BE RESTORED TO MATCH THE ADJACENT UNDAMAGED GRAVEL SURFACING AND SHALL BE OF THE SAME THICKNESS.
- REPLACE EXISTING GRAVEL SURFACING ON AREAS FROM WHICH GRAVEL SURFACING IS REMOVED DURING CONSTRUCTION OPERATIONS. GRAVEL SURFACING SHALL BE REPLACED TO MATCH EXISTING ADJACENT GRAVEL SURFACING AND SHALL BE OF THE SAME THICKNESS. SURFACES OF GRAVEL SURFACING SHALL BE FREE FROM CORRUGATIONS AND WAVES. EXISTING GRAVEL SURFACING MAY BE EXCAVATED SEPARATELY AND REUSED IF INJURIOUS AMOUNTS OF EARTH, ORGANIC MATTER, OR OTHER DELETERIOUS MATERIALS ARE REMOVED PRIOR TO REUSE. FURNISH ALL ADDITIONAL GRAVEL RESURFACING MATERIAL AS REQUIRED. BEFORE GRAVEL SURFACING IS REPLACED, SUBGRADE SHALL BE GRADED TO CONFORM TO REQUIRED SUBGRADE ELEVATIONS, AND LOOSE OR DISTURBED MATERIALS SHALL BE THOROUGHLY COMPACTED. DEPRESSIONS IN THE SUBGRADE SHALL BE FILLED AND COMPACTED WITH APPROVED SELECTED MATERIAL. GRAVEL SURFACING MATERIAL MAY BE USED FOR FILLING DEPRESSIONS IN THE SUBGRADE, SUBJECT TO ENGINEER'S APPROVAL.
- DAMAGE TO EXISTING STRUCTURES AND UTILITIES RESULTING FROM CONTRACTOR'S NEGLIGENCE SHALL BE REPAIRED/REPLACED TO OWNER'S SATISFACTION AT CONTRACTOR'S EXPENSE.
- CONTRACTOR SHALL COORDINATE THE CONSTRUCTION SCHEDULE WITH PROPERTY OWNER SO AS TO AVOID INTERRUPTIONS TO PROPERTY OWNER'S OPERATIONS.
- ENSURE POSITIVE DRAINAGE DURING AND AFTER COMPLETION OF CONSTRUCTION.
- ALL CUT AND FILL SLOPES SHALL BE MAXIMUM 2 HORIZONTAL TO 1 VERTICAL.
- CONTRACTOR SHALL BE RESPONSIBLE FOR MONITORING SITE VEHICLE TRAFFIC AS TO NOT ALLOW VEHICLES LEAVING THE SITE TO TRACK MUD ONTO PUBLIC STREETS. THE CONTRACTOR IS RESPONSIBLE FOR CLEANING PUBLIC STREETS DUE TO MUDDY VEHICLES LEAVING THE SITE.

**GENERAL EROSION & SEDIMENT CONTROL NOTES:**

- THE SOIL EROSION AND SEDIMENT CONTROL MEASURES AND DETAILS AS SHOWN HEREIN AND STIPULATED WITHIN STATE STANDARDS SHALL BE FOLLOWED AND INSTALLED IN A MANNER SO AS TO MINIMIZE SEDIMENT LEAVING THE SITE.
- PRIOR TO COMMENCING LAND DISTURBANCE ACTIVITY, THE LIMITS OF LAND DISTURBANCE SHALL BE CLEARLY AND ACCURATELY DEMARCATED WITH STAKES, RIBBONS, OR OTHER APPROPRIATE MEANS.
- EROSION CONTROL DEVICES SHALL BE INSTALLED BEFORE GROUND DISTURBANCE OCCURS. THE LOCATION OF SOME OF THE EROSION CONTROL DEVICES MAY HAVE TO BE ALTERED FROM SHOWN ON THE APPROVED PLANS IF DRAINAGE PATTERNS DURING CONSTRUCTION ARE DIFFERENT FROM THE FINAL PROPOSED DRAINAGE PATTERNS. IT IS THE CONTRACTOR'S RESPONSIBILITY TO ACCOMPLISH EROSION CONTROL FOR ALL DRAINAGE PATTERNS CREATED AT VARIOUS STAGES DURING CONSTRUCTION. ANY DIFFICULTY IN CONTROLLING EROSION DURING ANY PHASE OF CONSTRUCTION SHALL BE REPORTED TO THE ENGINEER IMMEDIATELY.
- THE LOCATION OF SOME OF THE EROSION CONTROL DEVICES MAY HAVE TO BE ALTERED FROM THAT SHOWN ON THE PLANS IF DRAINAGE PATTERNS DURING CONSTRUCTION ARE DIFFERENT FROM THE FINAL PROPOSED DRAINAGE PATTERNS. ANY DIFFICULTY IN CONTROLLING EROSION DURING ANY PHASE OF CONSTRUCTION SHALL BE REPORTED TO THE ENGINEER IMMEDIATELY.
- CONTRACTOR SHALL MAINTAIN ALL EROSION CONTROL MEASURES UNTIL PERMANENT VEGETATION HAS BEEN ESTABLISHED. CONTRACTOR SHALL CLEAN OUT ALL SEDIMENT PONDS WHEN REQUIRED BY THE ENGINEER OR THE LOCAL JURISDICTION INSPECTOR. CONTRACTOR SHALL INSPECT EROSION CONTROL MEASURES AT THE END OF EACH WORKING DAY TO ENSURE MEASURES ARE FUNCTIONING PROPERLY.
- THE CONTRACTOR SHALL REMOVE ACCUMULATED SILT WHEN THE SILT IS WITHIN 12" OF THE TOP OF THE SILT FENCE.
- FAILURE TO INSTALL, OPERATE OR MAINTAIN ALL EROSION CONTROL MEASURES WILL RESULT IN ALL CONSTRUCTION BEING STOPPED ON THE JOB SITE UNTIL SUCH MEASURES ARE CORRECTED.
- SILT BARRIERS TO BE PLACED AT DOWNSTREAM TOE OF ALL CUT AND FILL SLOPES.
- ALL CUT AND FILL SLOPES MUST BE SURFACED ROUGHENED AND VEGETATED WITHIN SEVEN (7) DAYS OF THEIR CONSTRUCTION.
- CONTRACTOR SHALL REMOVE ALL EROSION & SEDIMENT CONTROL MEASURES AFTER COMPLETION OF CONSTRUCTION AND ESTABLISHMENT OF PERMANENT GROUND COVER.
- THE ESCAPE OF SEDIMENT FROM THE SITE SHALL BE PREVENTED BY THE INSTALLATION OF EROSION CONTROL MEASURES AND PRACTICES PRIOR TO, OR CONCURRENT WITH, LAND-DISTURBING ACTIVITIES.

**CONSTRUCTION NOTES FOR FABRICATED SILT FENCE**

- |  |  |
|--|--|
| 1. WOVEN WIRE FENCE TO BE FASTENED SECURELY TO FENCE POSTS WITH WIRE TIES OR STAPLES.                          | POSTS: STEEL EITHER T OR U TYPE.   |
| 2. FILTER CLOTH TO BE FASTENED SECURELY TO WOVEN WIRE FENCE WITH TIES SPACED EVERY 24" AT TOP AND MID SECTION. | FENCE: WOVEN WIRE, 14 GA. 6" MAX. MESH OPENING. AS DIRECTED BY BANKS CO. |
| 3. WHEN TWO SECTIONS OF FILTER CLOTH ADJOIN EACH OTHER THEY SHALL BE OVER-LAPPED BY SIX INCHES AND FOLDED.     | FILTER CLOTH: FILTER X, MIRAFI 100X' STABILINKA T140N OR APPROVED EQUAL. |
| 4. MAINTENANCE SHALL BE PERFORMED AS NEEDED AND MATERIAL REMOVED WHEN "BULDGES" DEVELOP IN THE SILT FENCE.     | PREFABRICATED UNIT: GEOFAB, ENVIROFENCE OR APPROVED EQUAL.               |
| 5. ALL SILT FENCE MATERIALS MUST BE LISTED ON THE CURRENT STATES. D.O.T. QUALIFIED PRODUCTS LIST #36.          |  |

VEGETATIVE SCHEDULE				
	SPECIES	RATE/1000 S.F.	DATE	
TALL FESCUE GRASS		1.0#	APRIL 1 - OCTOBER 15	
SERICEA LESPEDEZA SEED BEARING HAY WITH OVERSEEDING WEEPING LOVEGRASS		140# 0.2#	OCTOBER 1 - MARCH 15 MARCH 15 - MAY 1	
FERTILIZER MIX				
APPLICATION	N, #/ACRE	P <sub>2</sub> O <sub>5</sub> , #/ACRE	K <sub>2</sub> O, #/ACRE	N, TOP DRESSING
1st	60 - 90	120 - 180	120 - 180	50
2nd	60	120	120	-

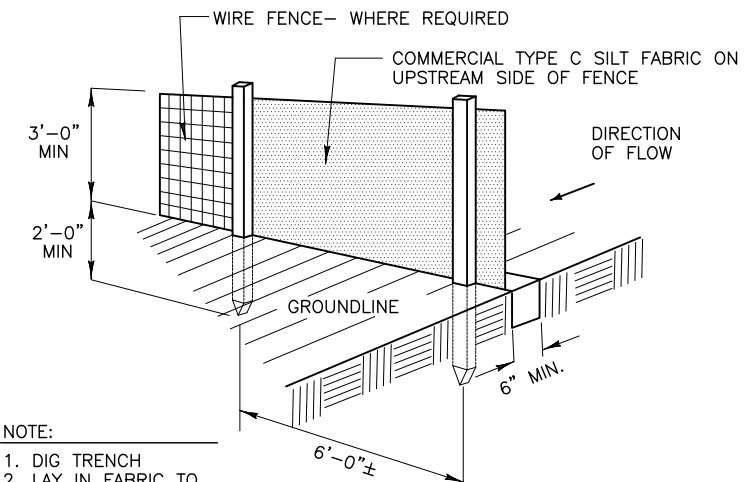
**NOTE:**  
- GRASS AND MULCH ALL DISTURBED AREAS

**HYDRAULIC SEEDING EQUIPMENT**

WHEN HYDRAULIC SEEDING AND FERTILIZING EQUIPMENT IS USED, NO GRADING AND SHAPING OR SEEDBED PREPARATION WILL BE REQUIRED. THE FERTILIZER, SEED AND WOOD CELLULOSE FIBER MULCH WILL BE MIXED WITH WATER AND APPLIED IN A SLURRY. ALL SLURRY INGREDIENTS MUST BE COMBINED TO FORM A HOMOGENEOUS MIXTURE, AND SPREAD UNIFORMLY OVER THE AREA WITHIN ONE HOUR AFTER MIXTURE IS MADE. STRAW OR HAY MULCH AND ASPHALT EMULSION WILL BE APPLIED WITH BLOWER-TYPE MULCH SPREADING EQUIPMENT WITHIN 24 HOURS AFTER SEEDING. THE MULCH WILL BE SPREAD UNIFORMLY OVER THE AREA, LEAVING ABOUT 25 PERCENT OF THE GROUND SURFACE EXPOSED.

**CONVENTIONAL SEEDING EQUIPMENT**

GRADE, SHAPE AND SMOOTH WHERE NEEDED TO PROVIDE FOR SAFE EQUIPMENT OPERATION AT SEEDING TIME AND FOR MAINTENANCE PURPOSES. THE LIME AND FERTILIZER IN DRY FORM WILL BE SPREAD UNIFORMLY OVER THE AREA IMMEDIATELY BEFORE SEEDBED PREPARATION. A SEEDBED WILL BE PREPARED BY SCARIFYING TO A DEPTH OF 1 TO 4 INCHES AS DETERMINED ON SITE. THE SEEDBED MUST BE WELL PULVERIZED, SMOOTHED AND FIRMED. SEEDING WILL BE DONE WITH CULTIPACKER-SEEDER, DRILL, ROTARY SEEDER OR OTHER MECHANICAL OR HAND SEEDER. SEED WILL BE DISTRIBUTED UNIFORMLY OVER A FRESHLY PREPARED SEEDBED AND COVERED LIGHTLY. WITHIN 24 HOURS AFTER SEEDING, STRAW OR HAY MULCH WILL BE SPREAD UNIFORMLY OVER THE AREA, LEADING ABOUT 25 PERCENT OF THE GROUND SURFACE EXPOSED. MULCH WILL BE SPREAD WITH BLOWER-TYPE MULCH EQUIPMENT OR BY HAND AND ANCHORED IMMEDIATELY AFTER IT IS SPREAD. A DISK HARROW WITH THE DISK SET STRAIGHT OR A SPECIAL PACKER DISK MAY BE USED TO PRESS THE MULCH INTO THE SOIL.



- NOTE:**
- DIG TRENCH
  - LAY IN FABRIC TO BOTTOM OF TRENCH
  - BACKFILL TRENCH, COVERING FABRIC

**1 SILT FENCE DETAIL**  
-- NOT TO SCALE

**infinity**  
engineering & surveying  
11 Herbert Drive  
Latham, NY 12110  
OFFICE: (518) 690-0790  
FAX: (518) 690-0793

UNAUTHORIZED ALTERATION OR ADDITION TO THIS DOCUMENT IS A VIOLATION OF APPLICABLE STATE AND/OR LOCAL LAWS

1	REVISED PER CLIENT	SUB	03/31/10
0	ISSUED FOR REVIEW	SUB	03/16/10
No.	Submittal / Revision	App'd	Date
Drawn:	SKB	Date:	03/31/10
Designed:	AGF	Date:	03/31/10
Checked:	SJB	Date:	03/31/10

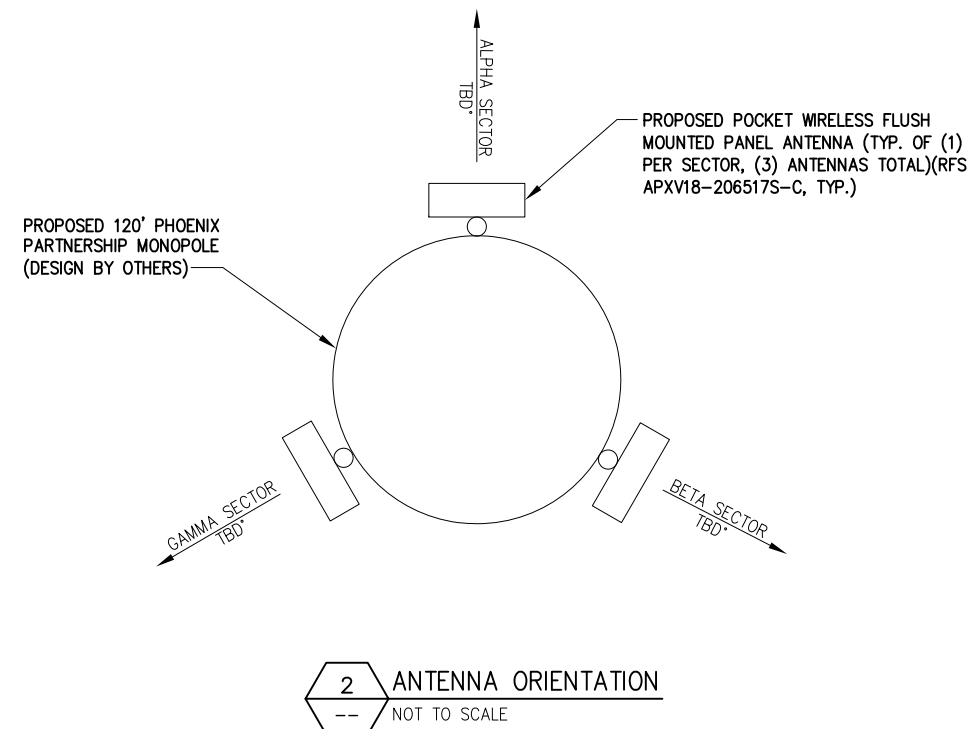
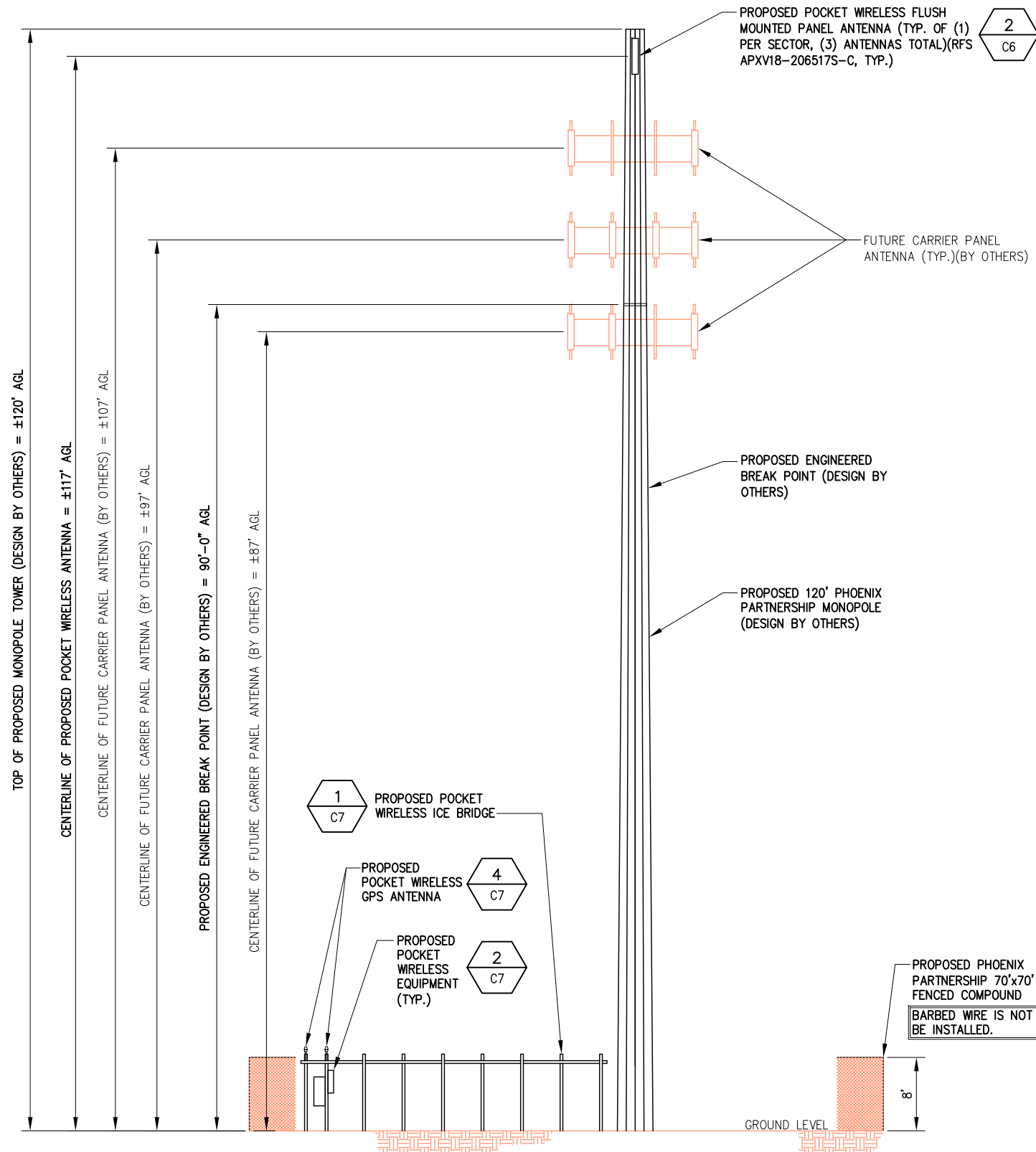
Project Number: 226-003  
Project Title: NORTH HAVEN CTNH 101  
50 DEVINE ST.  
NORTH HAVEN, CT 06473

Prepared For: **Phoenix Partnership**  
THIS DOCUMENT IS THE DESIGN PROPERTY AND COPYRIGHT OF INFINITY ENGINEERING & SURVEYING. NO PART OF THIS DOCUMENT IS TO BE REPRODUCED, COPIED, DULY OR ILLEGALLY, IN ANY FORM OR BY ANY MEANS, WITHOUT THE EXPRESS WRITTEN CONSENT OF THE CREATOR. THIS IS STRICTLY PROHIBITED.

Drawing Scale: AS NOTED  
Date: 03/31/10  
**D&M**

Drawing Title: **GRADING NOTES & DETAILS**

Drawing Number: **C5**



**1 TOWER ELEVATION VIEW**  
-- NOT TO SCALE

STRUCTURAL ANALYSIS NOT COMPLETED AT TIME OF ISSUANCE OF THESE DRAWINGS. THE STRUCTURAL ANALYSIS MUST BE COMPLETED PRIOR TO CONSTRUCTION.

PROPOSED ANTENNA RAD CENTER IS PRELIMINARY AND IS SUBJECT TO CHANGE WITH FINAL RF CONFIGURATION BY RF ENGINEER.

ALL PROPOSED EQUIPMENT CABINETS MUST BE INSTALLED ON CONCRETE PIERS AT A MINIMUM OF 2' ABOVE EXISTING GRADE. ALL RAISED EQUIPMENT AREAS MUST HAVE HANDRAILS & ACCESS APPROVED BY LOCAL & NATIONAL BUILDING CODES.

UNAUTHORIZED ALTERATION OR ADDITION TO THIS DOCUMENT IS A VIOLATION OF APPLICABLE STATE AND/OR LOCAL LAWS

No.	Submittal / Revision	App'd	Date
1	REVISED PER CLIENT	SJB	03/31/10
0	ISSUED FOR REVIEW	SJB	03/16/10

Drawn: SJB Date: 03/31/10  
Designed: AGF Date: 03/31/10  
Checked: SJB Date: 03/31/10

Project Number: 226-003

Project Title:  
**NORTH HAVEN  
CTNH 101**  
50 DEVINE ST.  
NORTH HAVEN, CT 06473

Prepared For:

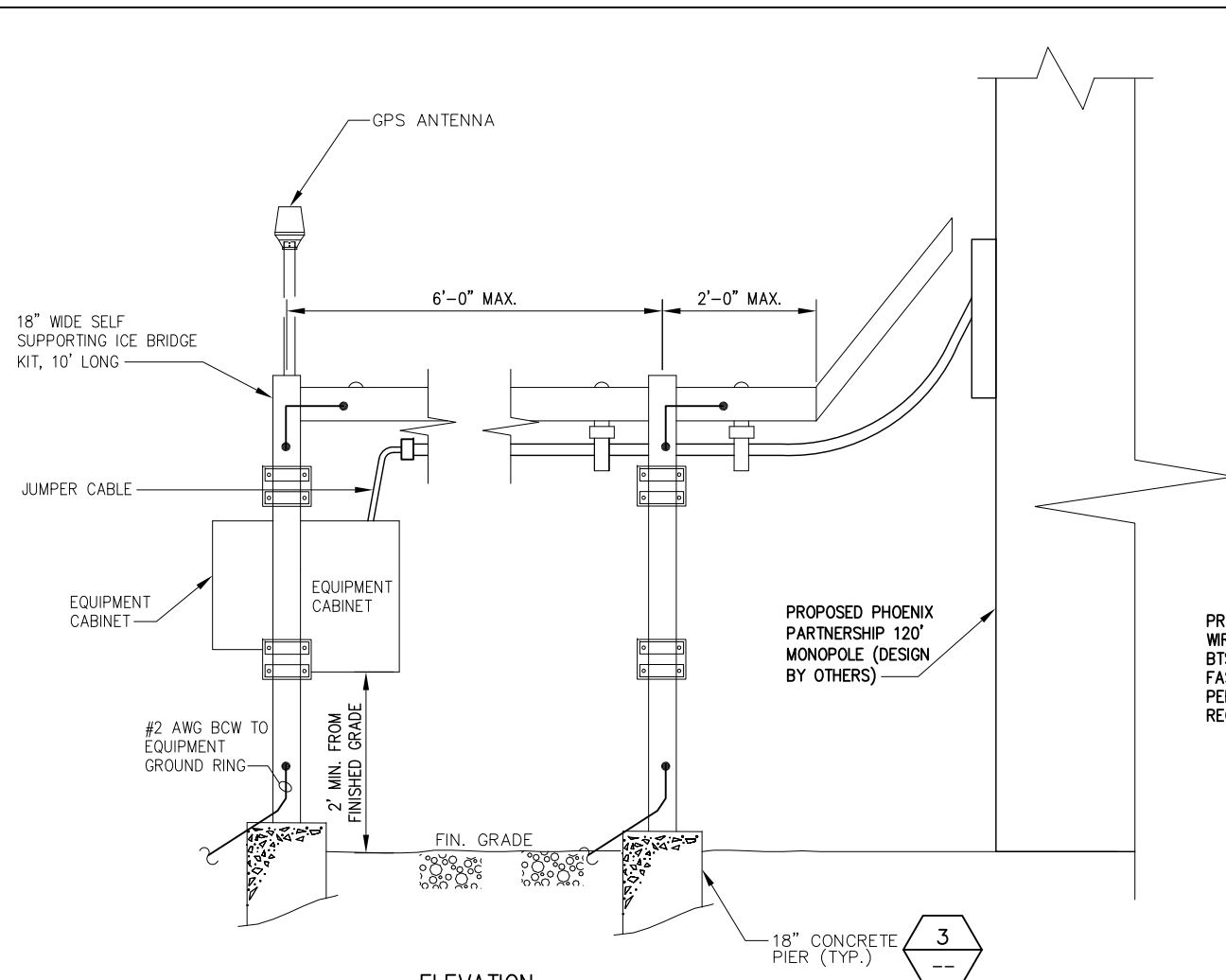


THIS DOCUMENT IS THE DESIGN PROPERTY AND COPYRIGHT OF INFINITY ENGINEERING & SURVEYING. NO PART OF THIS DOCUMENT IS TO BE REPRODUCED, COPIED, OR TRANSMITTED IN ANY FORM OR BY ANY MEANS, ELECTRONIC OR MECHANICAL, WITHOUT THE EXPRESS WRITTEN CONSENT OF THE CREATOR. THIS IS STRICTLY PROHIBITED.

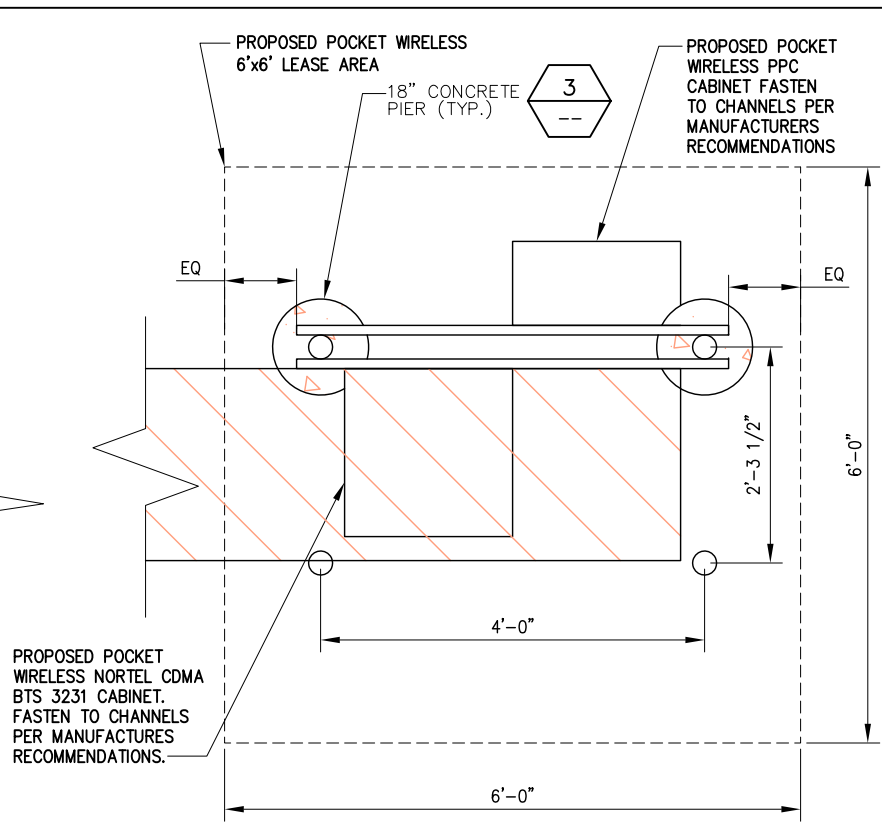
Drawing Scale: AS NOTED  
Date: 03/31/10  
**D&M**

Drawing Title:  
**ELEVATION VIEW & DETAILS**

Drawing Number:  
**C6**

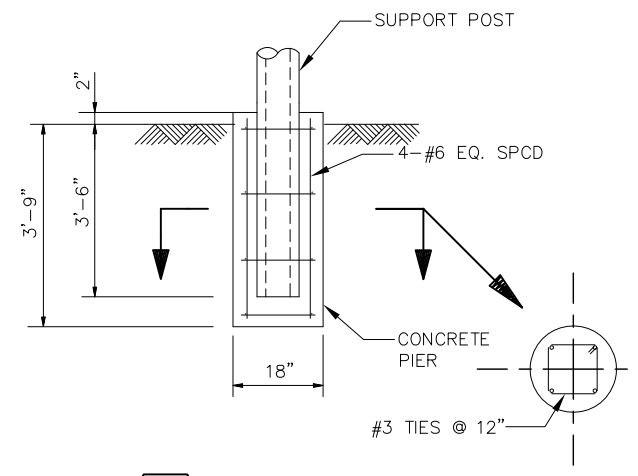


**ELEVATION**

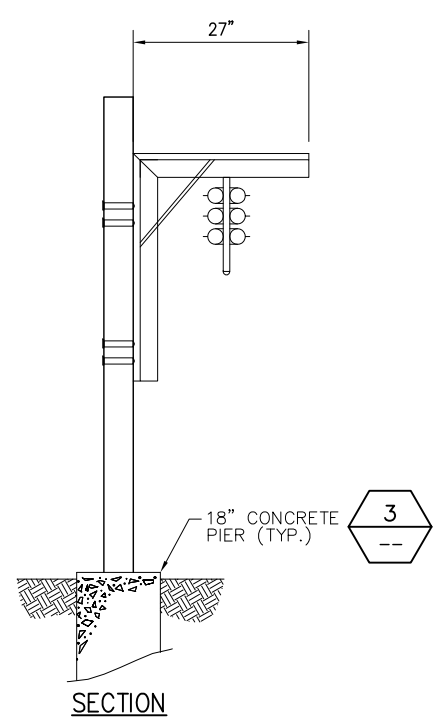


**2 EQUIPMENT CABINET LAYOUT AND ANCHORING**  
NOT TO SCALE

NOTE: BTS 3231 CABINET DIMENSIONS:  
22.4" WIDE x 17.7" DEEP x 36.7" TALL



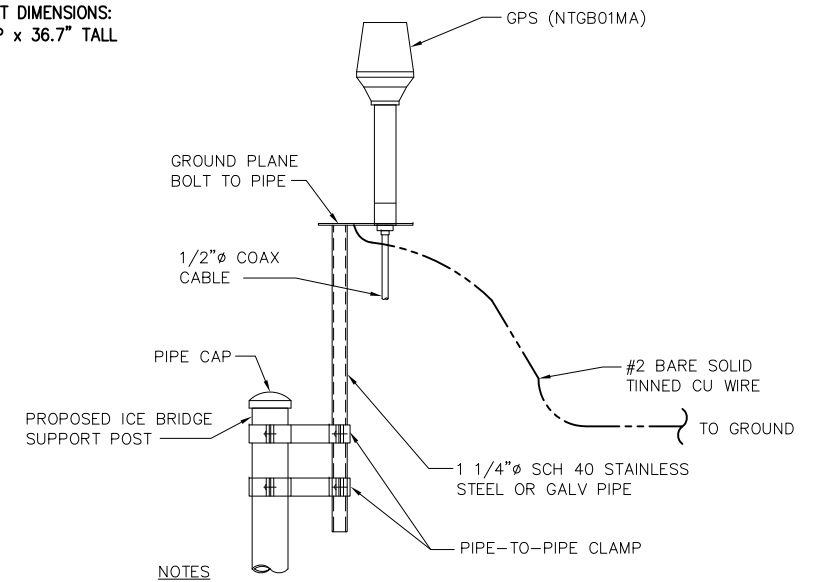
**3 SUPPORT POST FOOTING**  
NOT TO SCALE



**NOTES:**

1. WHEN USING PIROD COMPONENTS AS SHOWN IN STANDARD DETAILS, MAXIMUM ALLOWABLE SPAN BETWEEN SUPPORTS ON A CONTINUOUS SINGLE SECTION OF BRIDGE CHANNEL SHALL BE 19 FEET FOR 20 FEET BRIDGE CHANNEL, OR 9 FEET FOR 10 FEET BRIDGE CHANNEL.
2. WHEN USING PIROD COMPONENTS FOR SPLICING BRIDGE CHANNEL SECTIONS, THE SPLICE SHOULD BE PROVIDED AT THE SUPPORT, IF POSSIBLE, OR AT A MAXIMUM OF 2 FEET FROM THE SUPPORT.
3. WHEN USING PIROD COMPONENTS, SUPPORT SHOULD BE PROVIDED AS CLOSE AS POSSIBLE TO THE ENDS OF ICE BRIDGES, WITH A MAXIMUM CANTILEVER DISTANCE OF 2 FEET FROM THE SUPPORT TO THE FREE END OF THE ICE BRIDGE.
4. CUT BRIDGE CHANNEL SECTIONS SHOULD HAVE RAW EDGES TREATED WITH A MATERIAL TO RESTORE THE EDGES TO THE ORIGINAL CHANNEL, OR EQUIVALENT, FINISH.
5. ICE BRIDGES MAY BE CONSTRUCTED WITH COMPONENTS FROM MANUFACTURERS OTHER THAN PIROD, PROVIDED THE MANUFACTURER'S INSTALLATION GUIDELINES ARE FOLLOWED.
6. DEVIATIONS FROM STANDARDS FOR COMPONENT INSTALLATIONS ARE PERMITTED WITH THE RESPECTIVE MANUFACTURER'S APPROVAL.
7. ATTACH FLANGED END OF SUPPORT POST TO CONCRETE PAD USING 4 - 3/8" DIA. HILT-HY 150 ADHESIVE ANCHORS. PROVIDE MINIMUM OF 4 1/2" EMBEDMENT.
8. DEVIATIONS FROM ICE BRIDGE FOUNDATIONS SHOWN ON SITE SPECIFIC DRAWINGS OR STANDARD DETAILS REQUIRE ENGINEERING APPROVAL.

**1 ICE BRIDGE**  
NOT TO SCALE



**NOTES:**

1. THE ELEVATION AND LOCATION OF THE GPS ANTENNA SHALL BE IN ACCORDANCE WITH THE FINAL RF REPORT.
2. THE GPS ANTENNA MOUNT IS DESIGNED TO FASTEN TO A GROUND PLANE BOLTED TO A STANDARD 1-1/4" DIAMETER, SCHEDULE 40 GALVANIZED STEEL OR STAINLESS STEEL PIPE. THE PIPE MUST NOT BE THREADED AT THE ANTENNA MOUNT END. THE PIPE SHALL BE CUT TO THE REQUIRED LENGTH (MINIMUM OF 18 INCHES) USING A HAND OR ROTARY PIPE CUTTER TO ASSURE A SMOOTH AND PERPENDICULAR CUT. A HACK SAW SHALL NOT BE USED. THE CUT PIPE END SHALL BE DEBURRED AND SMOOTH IN ORDER TO SEAL AGAINST THE NEOPRENE GASKET ATTACHED TO THE ANTENNA MOUNT.
3. IT IS CRITICAL THAT THE GPS ANTENNA IS MOUNTED SUCH THAT IT IS WITHIN 2 DEGREES OF VERTICAL AND THE BASE OF THE ANTENNA IS WITHIN 2 DEGREES OF LEVEL.
4. DO NOT SWEEP TEST GPS ANTENNA.

**4 TYPICAL GPS ANTENNA**  
NOT TO SCALE

UNAUTHORIZED ALTERATION OR ADDITION TO THIS DOCUMENT IS A VIOLATION OF APPLICABLE STATE AND/OR LOCAL LAWS

No.	Submittal / Revision	App'd	Date
1	REVISED PER CLIENT	SJB	03/31/10
0	ISSUED FOR REVIEW	SJB	03/16/10

Drawn: SJB Date: 03/31/10  
Designed: AGF Date: 03/31/10  
Checked: SJB Date: 03/31/10

Project Number: 226-003  
Project Title: NORTH HAVEN CTNH 101  
50 DEVINE ST.  
NORTH HAVEN, CT 06473

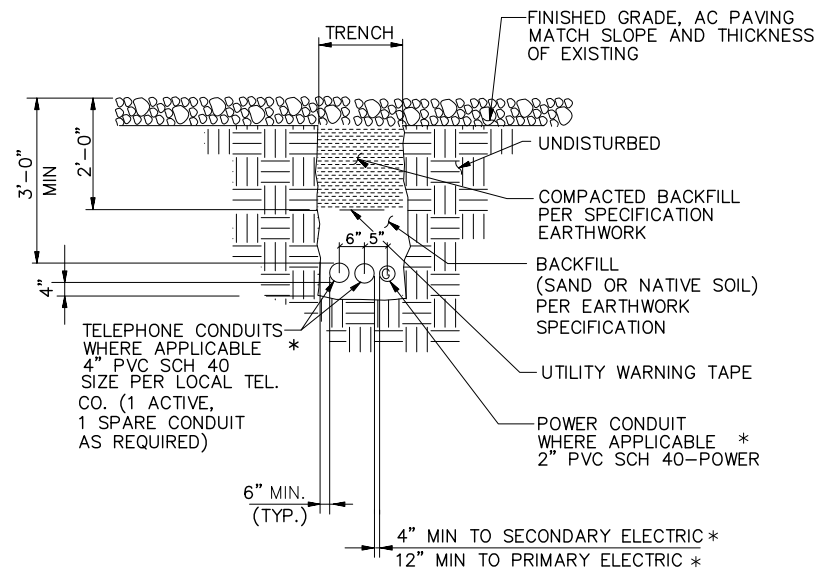
Prepared For: **Phoenix Partnership**  
THIS DOCUMENT IS THE DESIGN PROPERTY AND COPYRIGHT OF INFINIGY ENGINEERING & SURVEYING. IT IS TO BE USED ONLY FOR THE PROJECT AND CLIENT FOR WHICH IT WAS PREPARED. ANY REUSE, REPRODUCTION, OR DISTRIBUTION OF THIS DOCUMENT WITHOUT THE EXPRESS WRITTEN CONSENT OF THE CREATOR IS STRICTLY PROHIBITED.

Drawing Scale: AS NOTED  
Date: 03/31/10  
**D&M**

Drawing Title: **DETAILS**

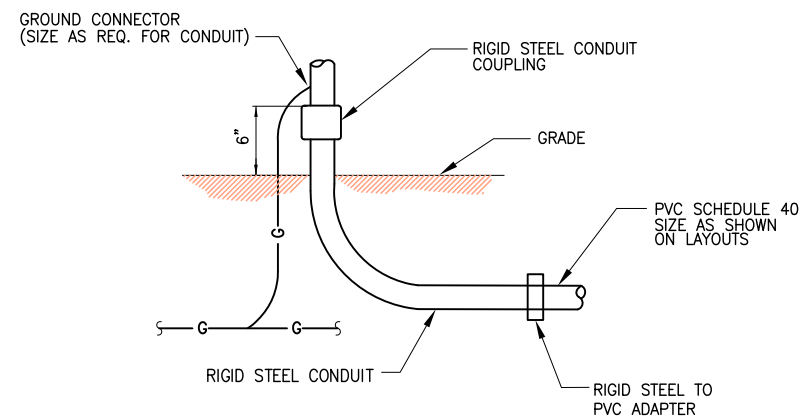
Drawing Number: **C7**





\* SEPARATION DIMENSION TO BE VERIFIED WITH LOCAL UTILITY COMPANY REQUIREMENTS

**1 UNDERGROUND CONDUIT(S) ELECTRIC/TELEPHONE**  
 --- NOT TO SCALE

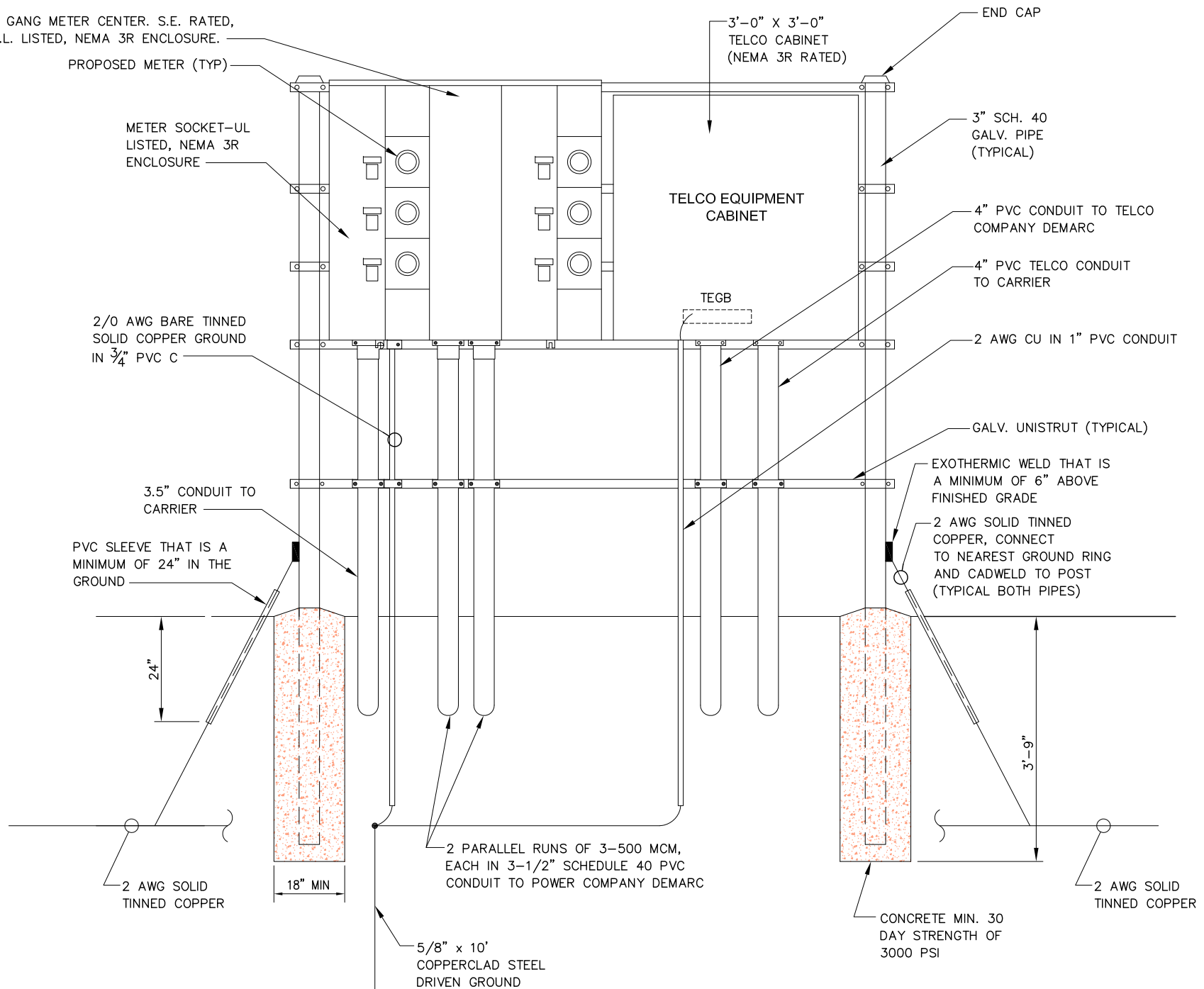


**2 UNDERGROUND CONDUIT STUB-UP**  
 --- NOT TO SCALE

**NOTES**

1. ALL CONDUIT ABOVE GRADE MUST BE RIGID STEEL.
2. ALL PVC SCH. 40 CONDUIT MUST HAVE MIN. BURIAL DEPTH.
3. ALL NEW STRUCTURAL STEEL SHALL BE HOT DIP GALVANIZED IN ACCORDANCE WITH ASTM A123 G90 AFTER FABRICATION.
4. FIELD ABRASIONS SHALL BE TOUCH UP PAINTED WITH ZINC RICH GALVANIZING REPAIR PAINT IN ACCORDANCE WITH ASTM A780.
5. ALL EXPOSED ENDS OF CONDUITS SHALL HAVE WEATHER PROOF CAPS. **DO NOT USE DUCT TAPE.**
6. PROVIDE 200LB. TEST PULL WIRES IN EACH TELEPHONE AND POWER CONDUIT. STUB CONDUITS INTO ENCLOSURE AND LABEL. CONDUIT ENDS TO HAVE CHASE NIPPLE TO PROTECT CABLE FROM DAMAGE WHILE PULLING WIRE.

6 GANG METER CENTER. S.E. RATED, U.L. LISTED, NEMA 3R ENCLOSURE.  
 PROPOSED METER (TYP)



**3 UTILITY RACK DETAILS**  
 --- NOT TO SCALE

NOTE:  
 1. CONSTRUCT SO CONCRETE FOOTING EXTENDS 6\"/>

UNAUTHORIZED ALTERATION OR ADDITION TO THIS DOCUMENT IS A VIOLATION OF APPLICABLE STATE AND/OR LOCAL LAWS

No.	Submittal / Revision	App'd	Date
1	REVISED PER CLIENT	SJB	03/31/10
0	ISSUED FOR REVIEW	SJB	03/16/10

Drawn: SKB Date: 03/31/10  
 Designed: AGF Date: 03/31/10  
 Checked: SJB Date: 03/31/10

Project Number: 226-003

Project Title:  
**NORTH HAVEN CTNH 101**  
 50 DEVINE ST.  
 NORTH HAVEN, CT 06473

Prepared For:

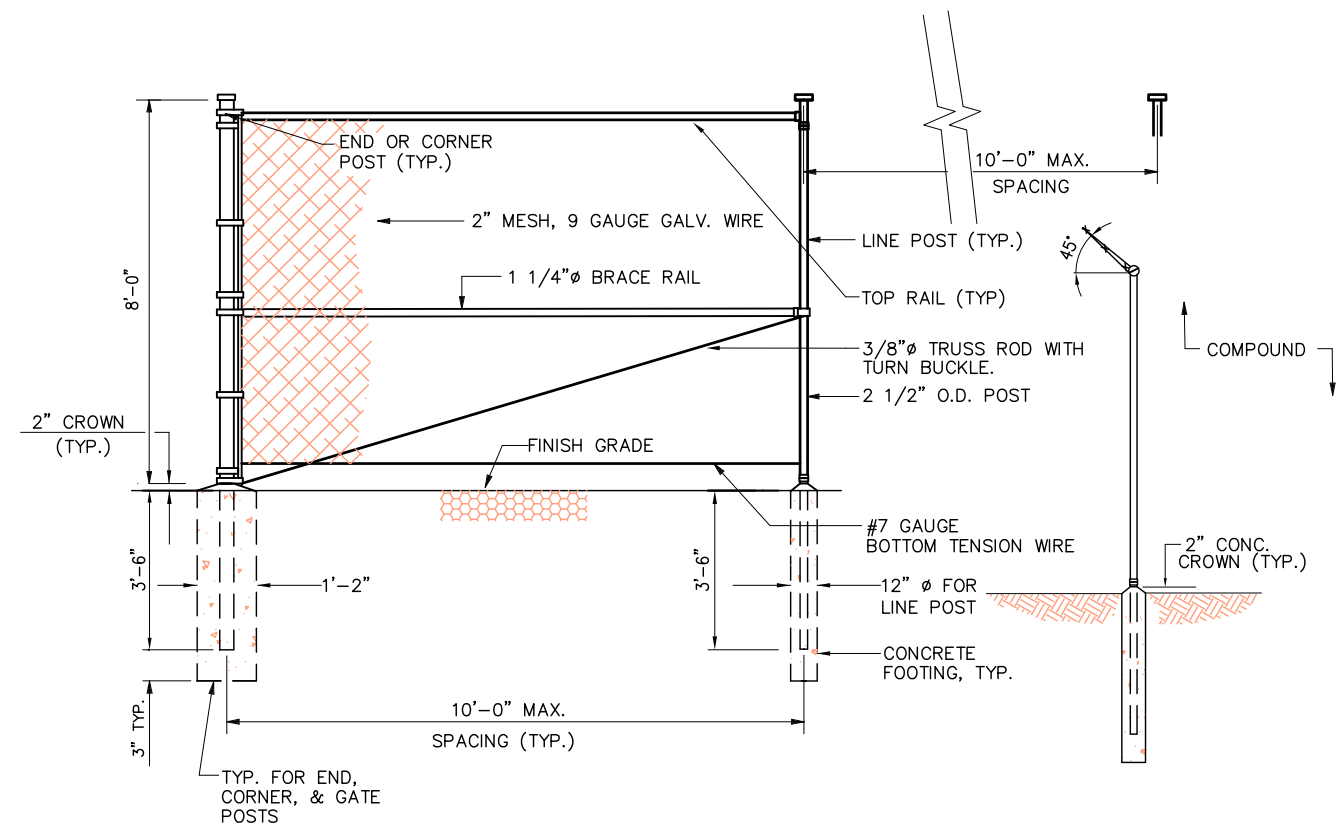
**Phoenix Partnership**

THIS DOCUMENT IS THE DESIGN PROPERTY AND COPYRIGHT OF INFINIGY ENGINEERING & SURVEYING. IT IS TO BE USED ONLY FOR THE PROJECT AND CLIENT. ANY DUPLICATION OR USE WITHOUT EXPRESS WRITTEN CONSENT OF THE CREATOR IS STRICTLY PROHIBITED.

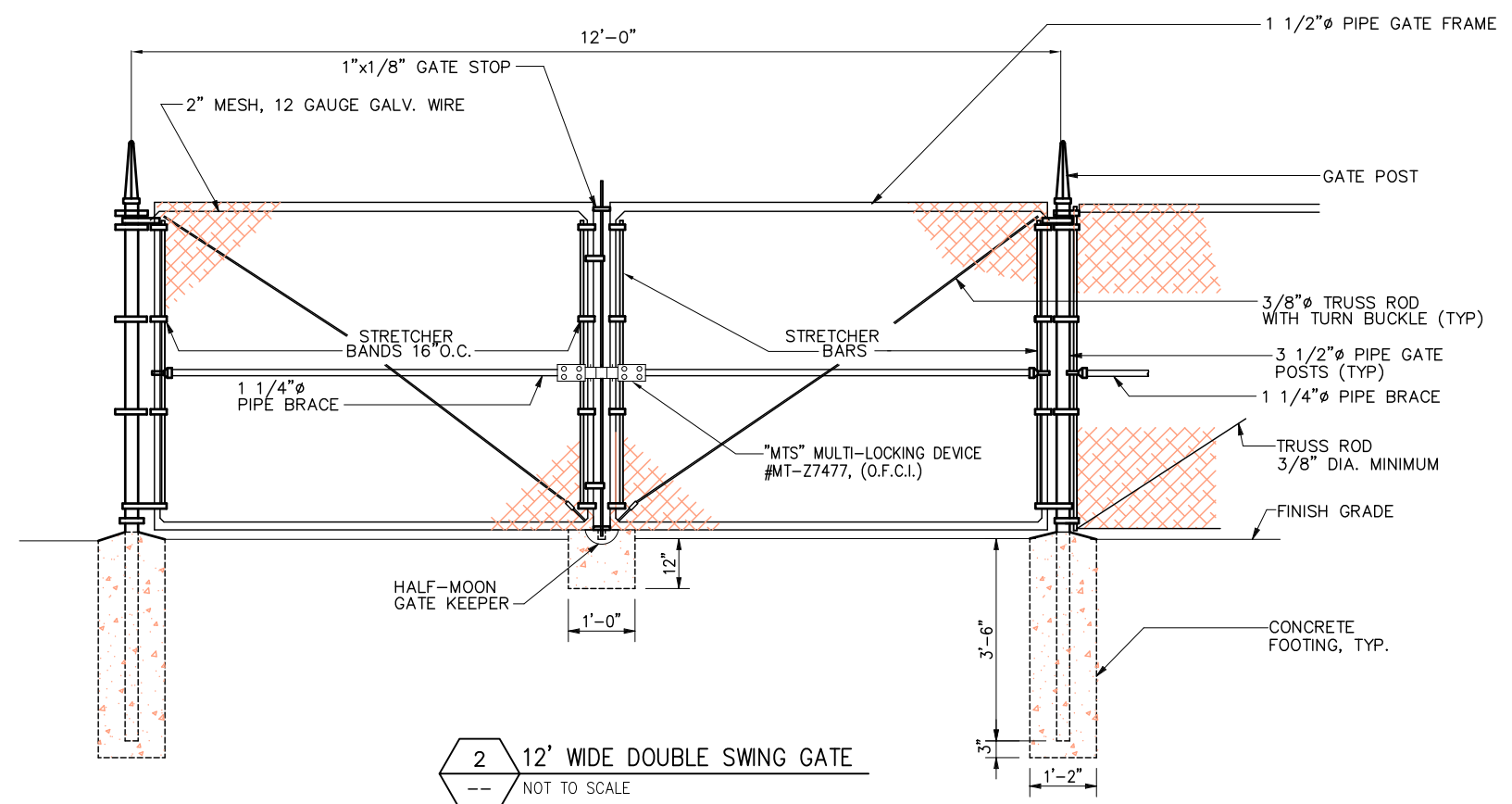
Drawing Scale: AS NOTED  
 Date: 03/31/10  
**D&M**

Drawing Title:  
**DETAILS**

Drawing Number:  
**C8**



1 CHAIN LINK FENCE DETAIL (ELEVATION)  
 --- NOT TO SCALE



2 12' WIDE DOUBLE SWING GATE  
 --- NOT TO SCALE

UNAUTHORIZED ALTERATION OR ADDITION TO THIS DOCUMENT IS A VIOLATION OF APPLICABLE STATE AND/OR LOCAL LAWS

No.	Submittal / Revision	App'd	Date
1	REVISED PER CLIENT	SJB	03/31/10
0	ISSUED FOR REVIEW	SJB	03/16/10

Drawn: SKB Date: 03/31/10  
 Designed: AGF Date: 03/31/10  
 Checked: SJB Date: 03/31/10

Project Number: 226-003

Project Title:  
 NORTH HAVEN  
 CTNH 101  
 50 DEVINE ST.  
 NORTH HAVEN, CT 06473

Prepared For:

**Phoenix Partnership**

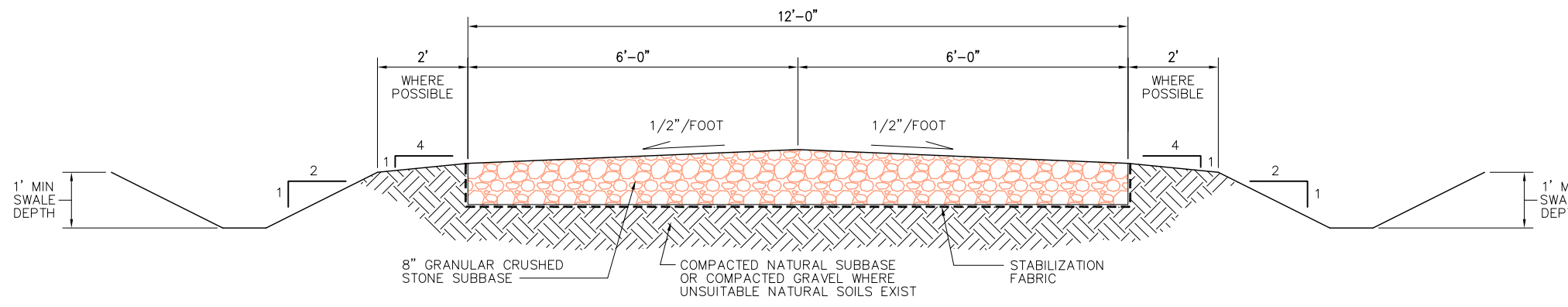
THIS DOCUMENT IS THE DESIGN PROPERTY AND COPYRIGHT OF INFINIGY ENGINEERING & SURVEYING. IT IS TO BE USED ONLY FOR THE PROJECT AND CLIENT FOR WHICH IT WAS PREPARED. ANY REUSE, REPRODUCTION, OR USE WITHOUT THE EXPRESS WRITTEN CONSENT OF THE CREATOR IS STRICTLY PROHIBITED.

Drawing Scale: AS NOTED  
 Date: 03/31/10

**D&M**

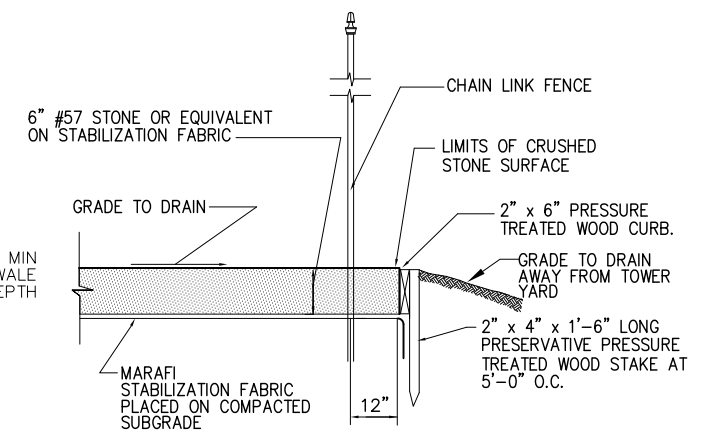
Drawing Title:  
**DETAILS**

Drawing Number:  
**C9**

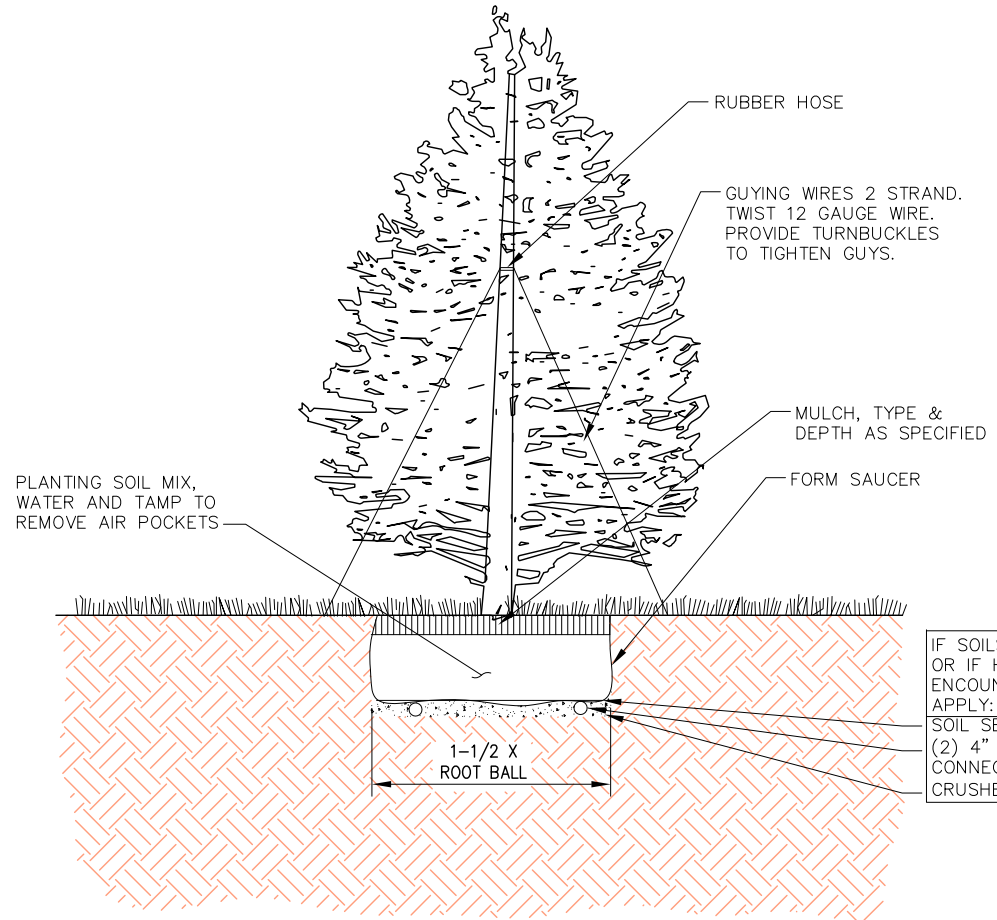


**1 ACCESS ROAD CROSS SECTION WITH DRAINAGE DITCH**  
 --- NOT TO SCALE

- NOTES:
- NATURAL SOILS TO BE REPLACED WITH ACCEPTABLE FILL IF SOUND COMPACTED SUBGRADE CANNOT BE ACHIEVED.
  - GRAVEL MATERIAL FOR DRIVE TO BE PLACED IN LIFTS NOT TO EXCEED 6 INCHES AND COMPACTED TO 95% MAXIMUM DENSITY.



**2 SECTION THROUGH COMPOUND**  
 --- NOT TO SCALE



- NOTES:
- PROVIDE STAKING AS REQUIRED
  - PLANT SO THAT TOP OF ROOT BALL IS EVEN WITH THE FINISHED GRADE
  - PAINT ALL CUTS OVER 1" IN DIA
  - REMOVE ALL CONTAINERS AND BASKETS FROM ROOT BALL
  - REMOVE BURLAP FROM TOP 1/3 OF ROOT BALL

**3 EVERGREEN PLANTING DETAIL**  
 --- NOT TO SCALE

KEY	QTY	BOTANICAL NAME	COMMON NAME	SIZE	COMMENTS
	10	PICEA PUNGENS (BAKERI)	BAKER BLUE SPRUCE	6' HEIGHT	B&B; WELL BRANCHED. COMPACT FORM

**TREE & SHRUB PLANTING SPECIFICATIONS**

SOIL MIX SHALL CONSIST OF 3 PARTS TOPSOIL, 3 PARTS PEAT MOSS, TO 1 PART COMPOSTED COW MANURE, AND 1 OZ SOIL MOIST PER EVERY 12 IN. OF LINEAR DIM. OF ROOT BALL. COVER WITH LANDSCAPE FABRIC AND A MIN. 3" CEDAR MULCH.

TREES SHALL BE A MIN. OF 6' TALL AND HAVE A CALIPER OF AT LEAST 2". TREES SHALL BE STAKED WITH OAK STAKES 2"x2"x6' AND GUY WIRE & STAKES. TREES SHOULD REACH A MATURE HEIGHT OF 15'.

ALL TREES AND SHRUBS MUST MEET OR EXCEED STANDARDS SET BY THE NATIONAL ASSOCIATION OF NURSERYMEN, YEAR OF LATEST.

**infinity**  
 engineering & surveying  
 11 Herbert Drive  
 Latham, NY 12110  
 OFFICE: (518) 690-0790  
 FAX: (518) 690-0793

UNAUTHORIZED ALTERATION OR ADDITION TO THIS DOCUMENT IS A VIOLATION OF APPLICABLE STATE AND/OR LOCAL LAWS

No.	Submittal / Revision	App'd	Date
1	REVISED PER CLIENT	SJB	03/31/10
0	ISSUED FOR REVIEW	SJB	03/16/10

Drawn: SKB Date: 03/31/10  
 Designed: AGF Date: 03/31/10  
 Checked: SJB Date: 03/31/10

Project Number: 226-003

Project Title:  
**NORTH HAVEN  
 CTNH 101**  
 50 DEVINE ST.  
 NORTH HAVEN, CT 06473

Prepared For:  
  
 THIS DOCUMENT IS THE DESIGN PROPERTY AND COPYRIGHT OF INFINITY ENGINEERING & SURVEYING. IT IS TO BE USED ONLY FOR THE PROJECT AND CLIENT FOR WHICH IT WAS SPECIFICALLY PREPARED. ANY REUSE OR REPRODUCTION WITHOUT THE EXPRESS WRITTEN CONSENT OF THE CREATOR IS STRICTLY PROHIBITED.

Drawing Scale:  
 AS NOTED  
 Date:  
 03/31/10  
**D&M**

Drawing Title:  
**DETAILS**

Drawing Number:  
**C10**