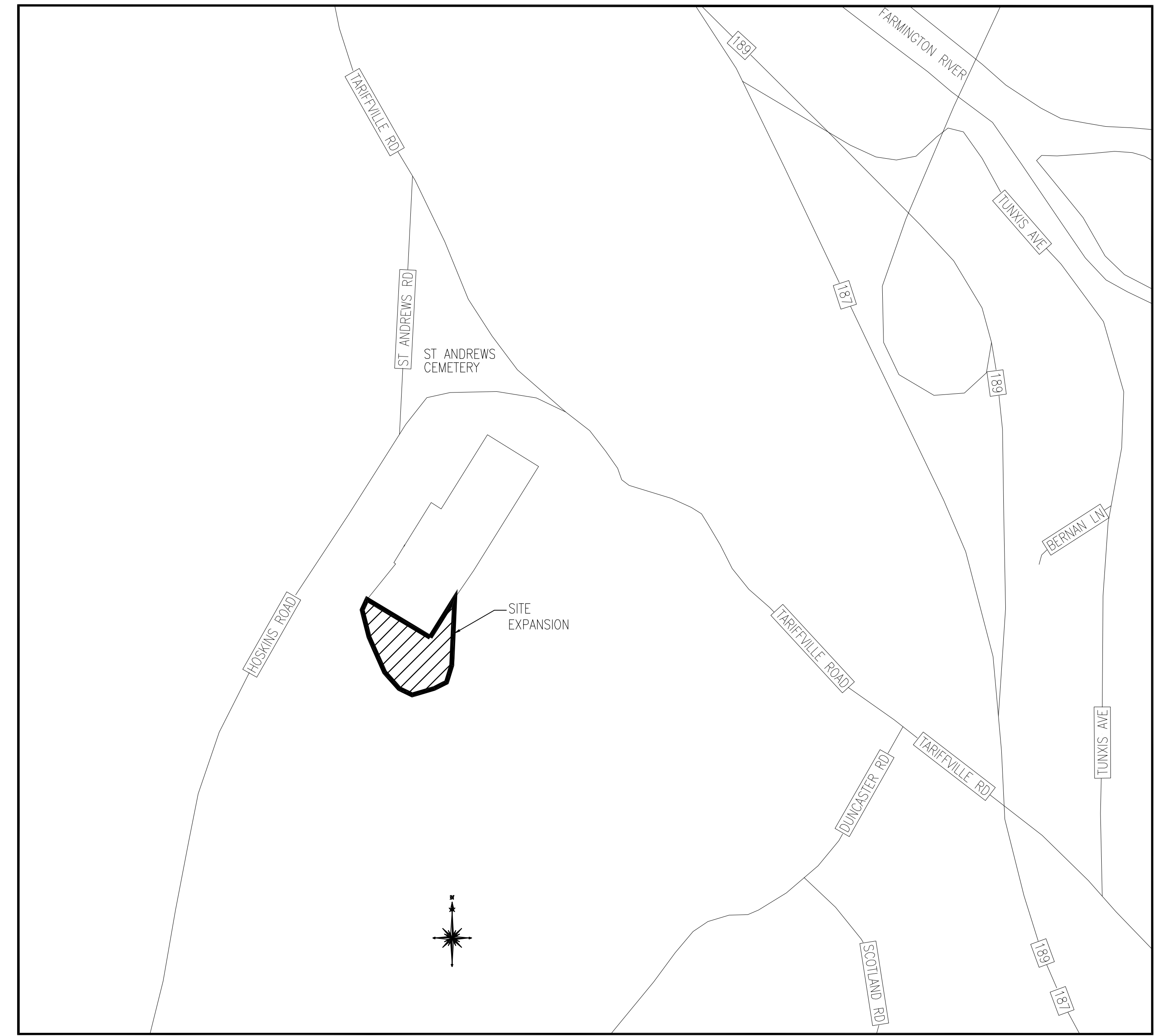
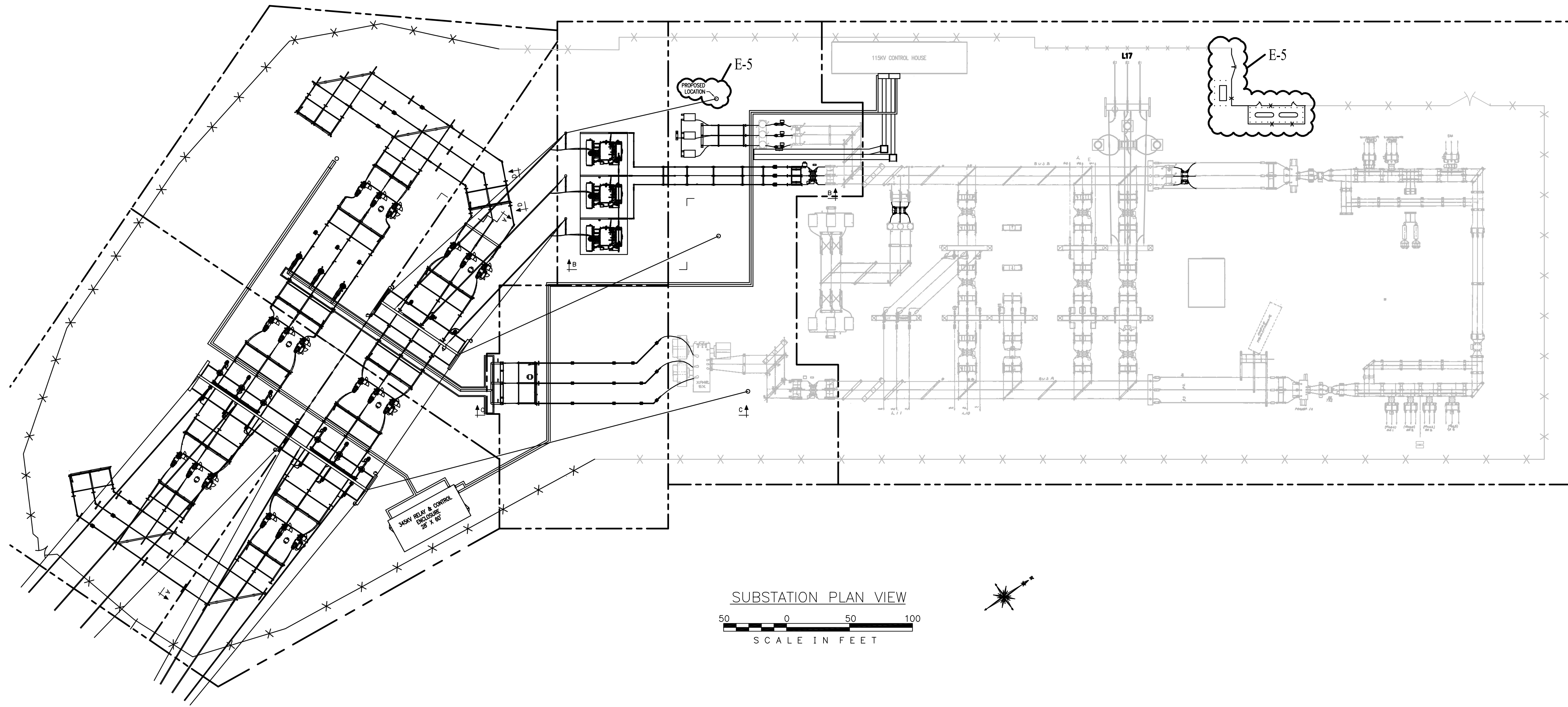
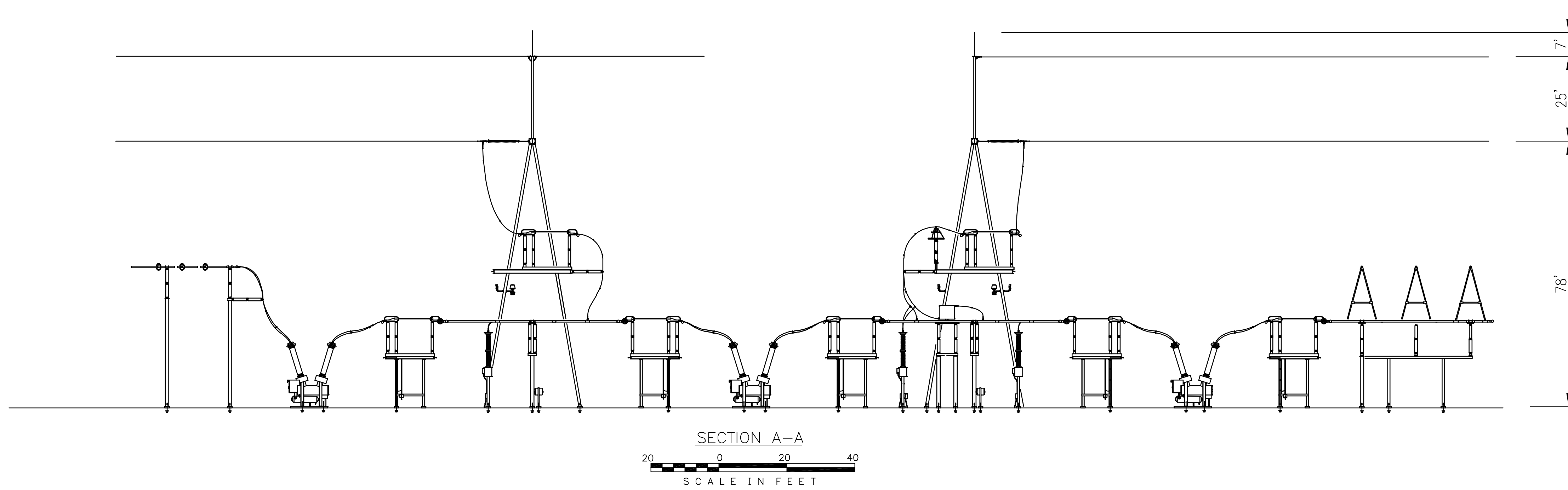


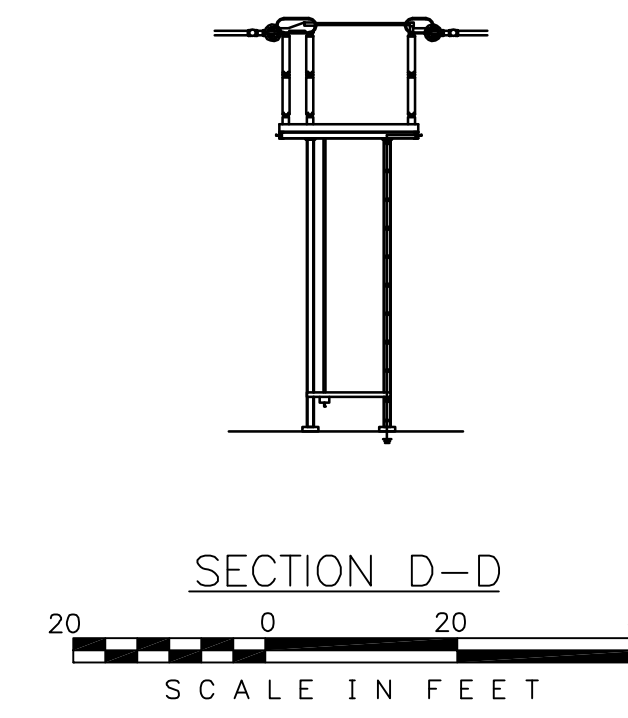
GREATER SPRINGFIELD RELIABILITY PROJECT
NORTH BLOOMFIELD SUBSTATION EXPANSION



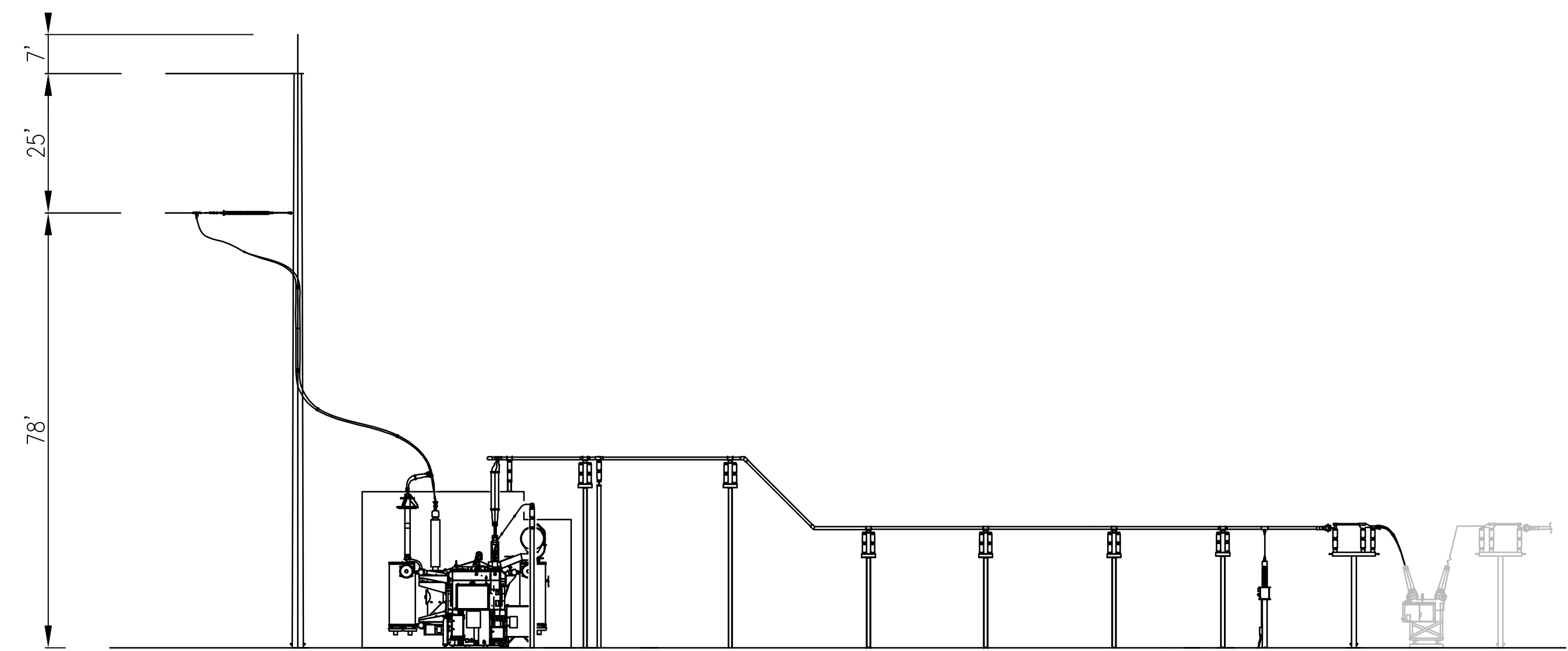
LOCATION PLAN
NOT TO SCALE



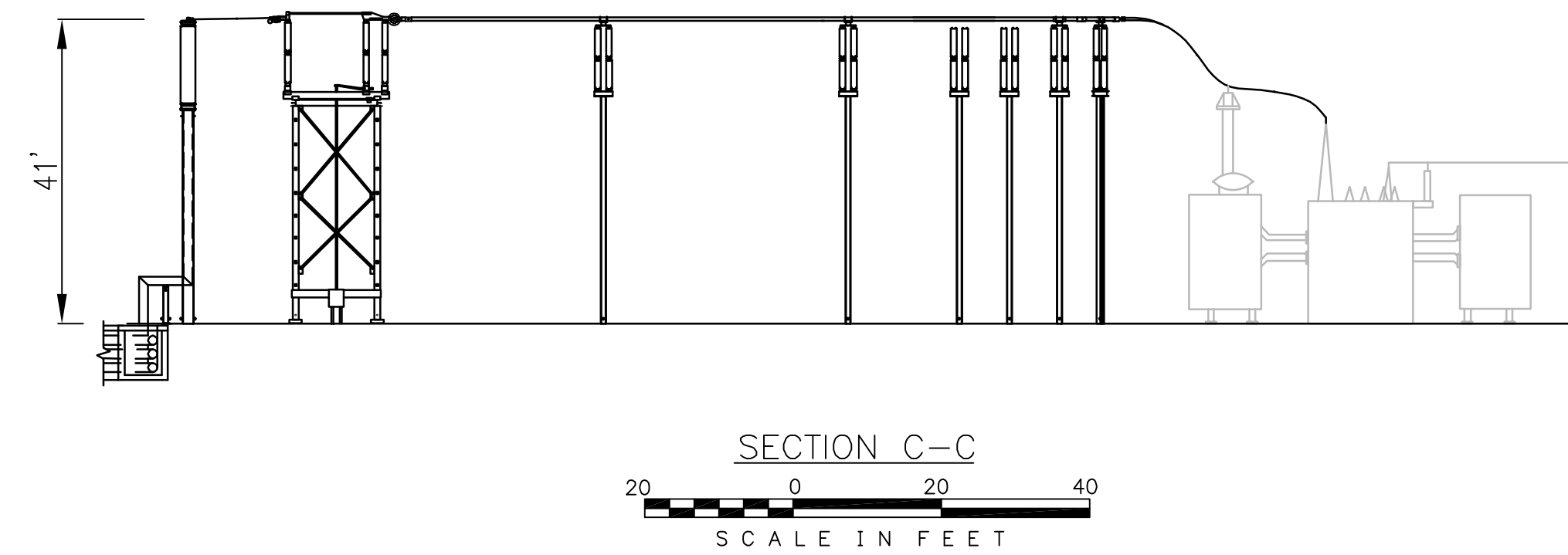
SECTION A-A
SCALE IN FEET



SECTION D-D
SCALE IN FEET



SECTION B-B
SCALE IN FEET



SECTION C-C
SCALE IN FEET

LEGEND

- NEW SUBSTATION EQUIPMENT
- EXISTING SUBSTATION EQUIPMENT

**D&M PLAN- NOT FOR
CONSTRUCTION CONTRACTOR**

REVISIONS DURING CONSTRUCTION			
NO.	DATE	DESCRIPTION	BY
E-1	03/03/10	ISSUED FOR D & M PLAN REVIEW	JAH
E-2	04/15/10	ADDED 41' DIM. - FOR D&M REVIEW	JMW
E-3	05/12/10	ISSUED FOR D & M PLAN REVIEW	JMW
E-4	11/01/11	ISSUED FOR D & M PLAN REVIEW	CLE
E-5	02/28/13	ISSUED FOR D & M PLAN REVIEW	DPC

**NEEWS
Drawing
Review
Record**

Accepted
 Accepted as Noted (Resubmittal not Required)
 Revise & Resubmit
 Reject
 Lead NJ Reviewer: _____
 Project Engineer: _____
 Sent by Date: _____
 Review by Date: _____
 Civil SE&I P&C
 Transmission Line
 All drawing comments to be made on the drawing or attached to the drawing.

**NOT FOR
CONSTRUCTION
REVISION(S) E**

no.	date	revisions	by	chk	app	app
E-5	02/28/13	ISSUED FOR D & M PLAN REVIEW	DPC	TLG		
E-4	11/01/11	ISSUED FOR D & M PLAN REVIEW	CLE	JWM		
E-3	05/12/10	ISSUED FOR D & M PLAN REVIEW	JMW	JWM		
E-2	04/15/10	ADDED 41' DIM. - FOR D&M REVIEW	JMW	PKD		
E-1	03/03/10	ISSUED FOR D & M PLAN REVIEW	JAH	PKD		



50270
 date FEBRUARY 23, 2010
 designed P. KONECHNE
 detailed J. HUNERDOSSE
 checked

NO.	DATE	AS BUILT REVISIONS	BY	CHK	APP	APP

Northeast Utilities Service Co.
 FOR CONNECTICUT LIGHT & POWER COMPANY

TITLE: NORTH BLOOMFIELD 2A PROPOSED GENERAL ARRANGEMENT PLAN & SECTIONS BLOOMFIELD, CONNECTICUT

BY	PKD-BMD	CHKD	APP	DATE	DATE	DATE

H-SCALE N.T.S. SIZE E FIELD BOOK & PAGES
 V-SCALE N.T.S. VS. RE.DWG.
 RE.DWG. NUMBER
 WISC0 EXHIBIT 3