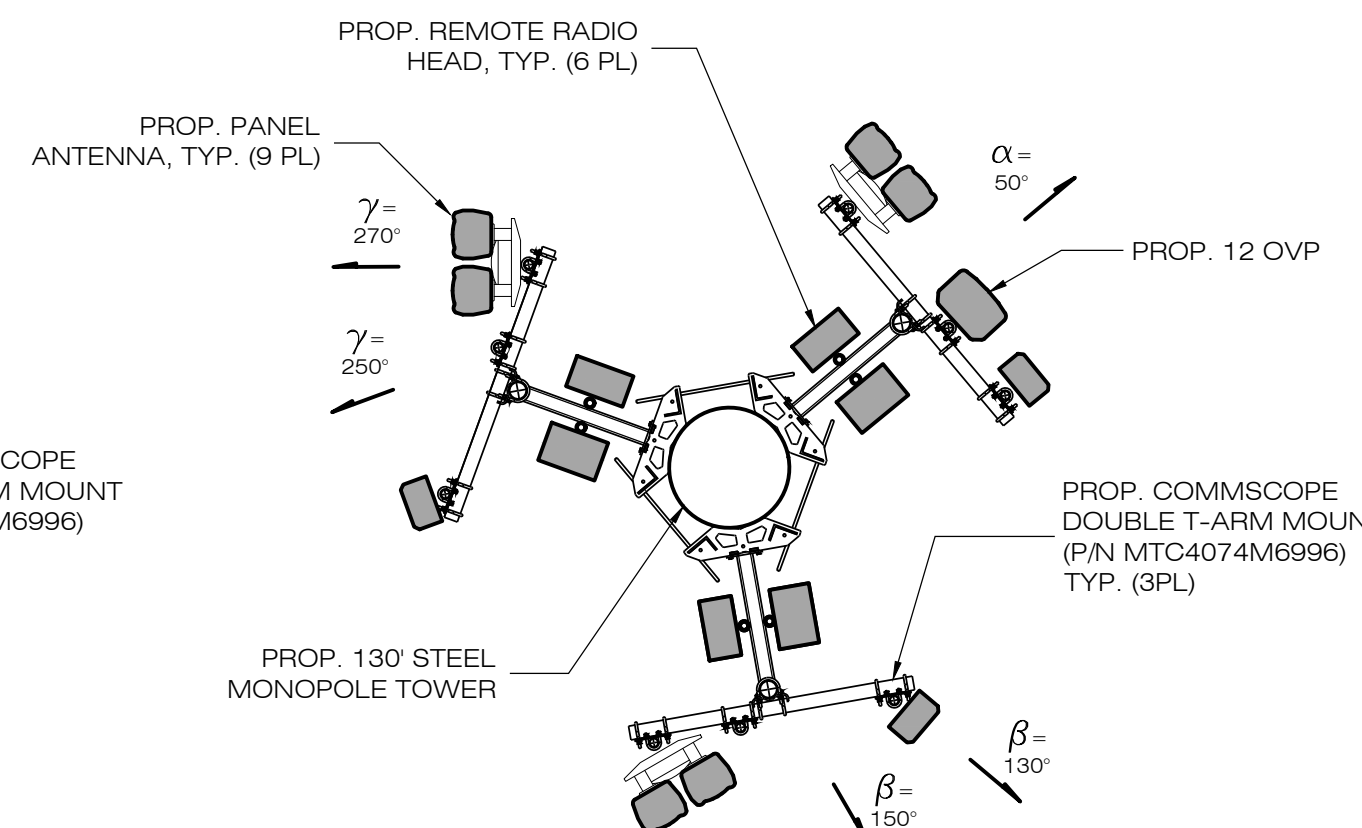
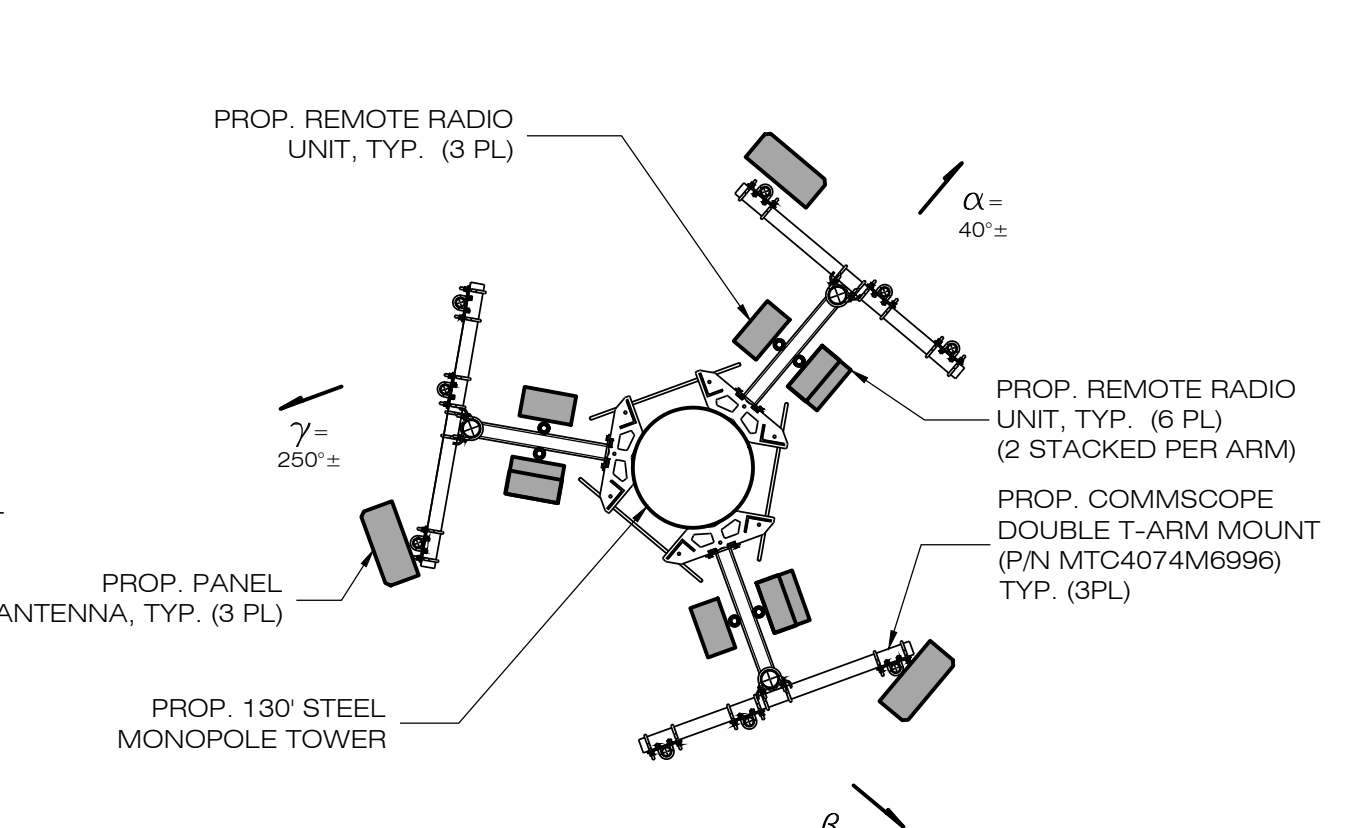


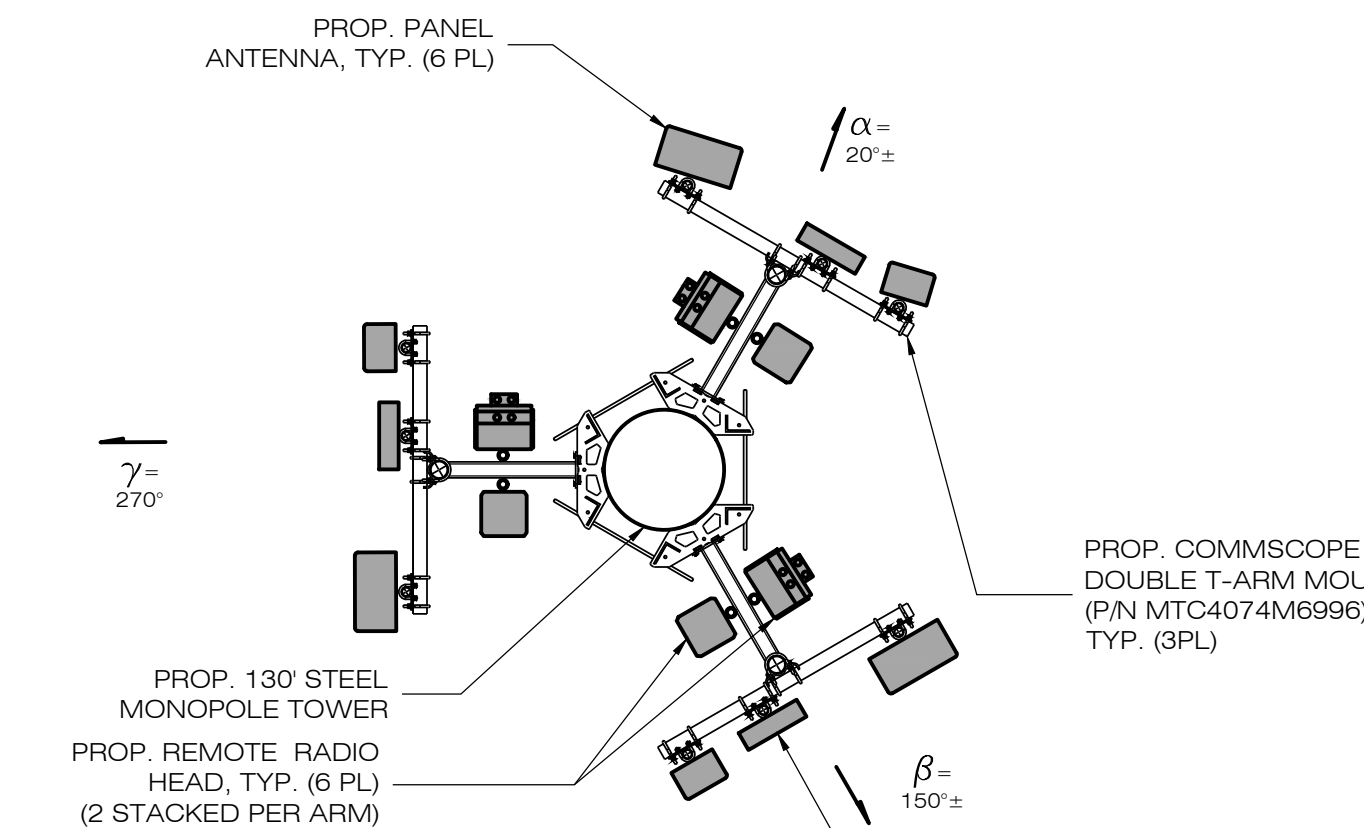
2 AT&T EQUIPMENT PLAN
 C-3 SCALE: 1/4" = 1'-0"



3 VERIZON EQUIPMENT PLAN
 C-3 SCALE: 1/4" = 1'-0"



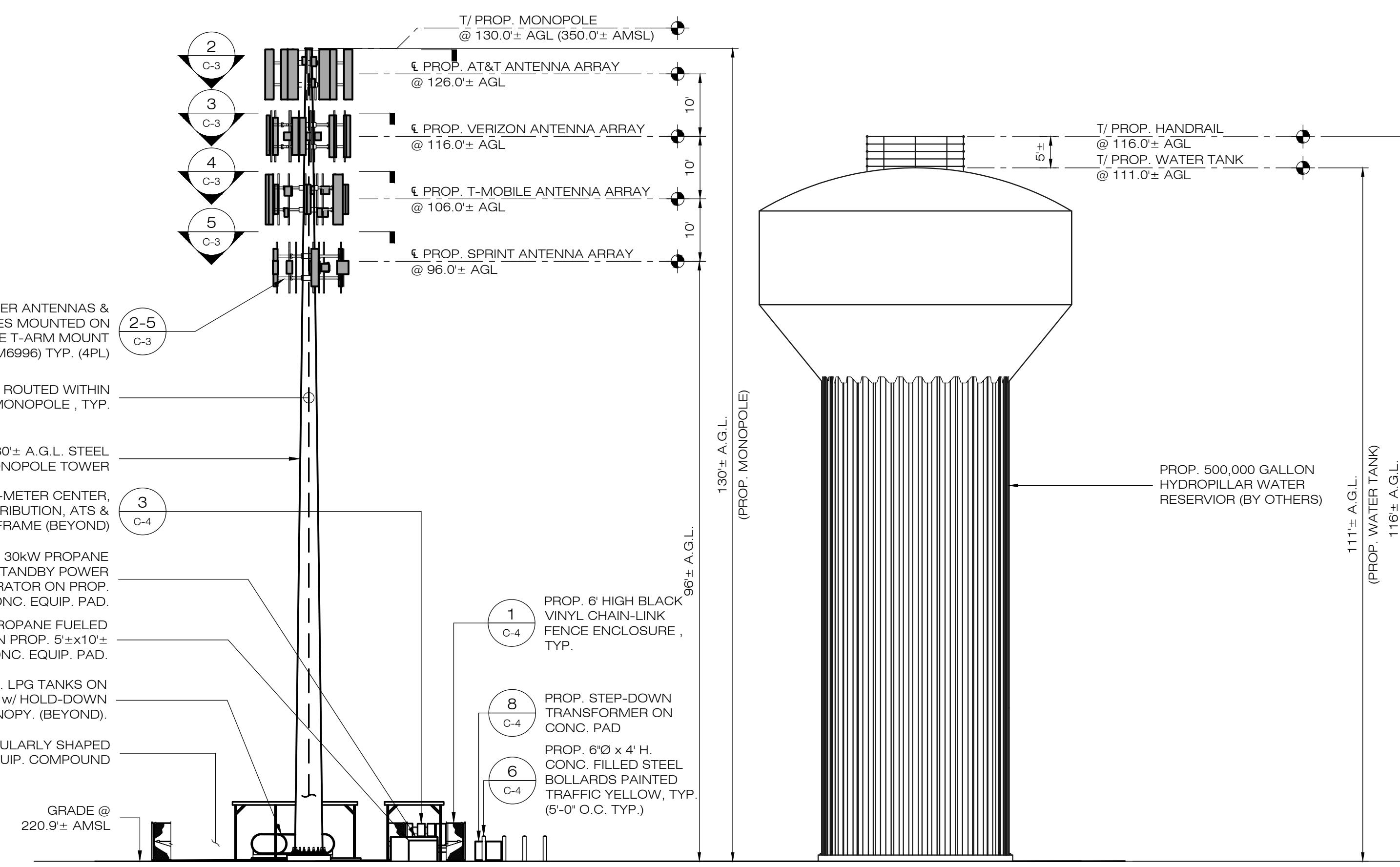
4 T-MOBILE EQUIPMENT PLAN
 C-3 SCALE: 1/4" = 1'-0"



5 SPRINT EQUIPMENT PLAN
 C-3 SCALE: 1/4" = 1'-0"

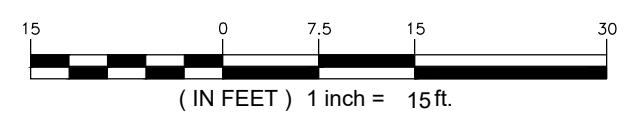
NOTES:
 1. ALL EQUIPMENT LOCATIONS ARE APPROXIMATE AND ARE SUBJECT TO APPROVAL BY LESSEE/LICENSEE, AND RF ENGINEER.

TOWER DESIGN NOTE:
 THE PROP. EQUIPMENT INSTALLATION INDICATED HEREIN IS SUBJECT TO A GEO-TECHNICAL INVESTIGATION & THE COMPLETION OF A STRUCTURAL DESIGN OF THE PROP. SUPPORTING TOWER STRUCTURE.



1 SOUTH ELEVATION
 C-3 SCALE: 1" = 15'-0"

NOTE:
 EXISTING AND PROPOSED PLANTINGS OMITTED FOR CLARITY.



FIRST TAXING DISTRICT WATER DEPARTMENT
 12 NEW CANAAN AVENUE NORWALK, CT 06851

ALL-POINTS TECHNOLOGY CORPORATION
 567 VAUXHAUL STREET EXTENSION - SUITE 311 WATERFORD, CT 06385
 PHONE: (860)-663-1697
 WWW.ALLPOINTSTECH.COM FAX: (860)-663-0935

PERMITTING DOCUMENTS

NO	DATE	REVISION
0	10/11/19	FOR REVIEW: JRM
1	10/21/19	PER CLIENT COMMENTS: JRM
2	02/25/20	PER CLIENT COMMENTS: RCB
3	05/01/20	PER CLIENT COMMENTS: RCB
4	05/28/20	ISSUED FOR FILING: RCB
5		
6		

DESIGN PROFESSIONALS OF RECORD
 PROF: ROBERT C. BURNS P.E.
 COMP: ALL-POINTS TECHNOLOGY CORPORATION, P.C.
 ADD: 567 VAUXHAUL STREET EXTENSION - SUITE 311 WATERFORD, CT 06385

OWNER: FIRST TAXING DISTRICT (WATER DEPARTMENT)
 ADDRESS: 12 NEW CANAAN AVENUE NORWALK, CT 06852

FIRST TAXING DISTRICT - NORWALK
 SITE: 173.5 WEST ROCKS ROAD ADDRESS: NORWALK, CT 06851
 APT FILING NUMBER: CT544100
 DRAWN BY: THK/DRA
 DATE: 10/11/19 CHECKED BY: JRM

SHEET TITLE:
 EQUIPMENT PLANS & SOUTH ELEVATION

SHEET NUMBER:
 C-3