

## Well Siting, Construction and Permitting Requirements

**Applicable regulations** for the construction, repair, development, and abandonment of wells

Connecticut Department of Public Health:

The [Public Health Code \(PHC\) of the State of Connecticut Title 19](#) provides regulations on public health and safety, the current version in use became effective on January 12, 1971. Regulations pertaining to the construction and location of water supply wells are applicable at the time the well is constructed. The regulations refer to the term "water supply well". The term "private well" is used to describe a water supply well that typically serves a residential home; however private wells also supply small businesses and other establishments where the daily population supplied by the well is less than 25 people. Regulations regarding the construction and location of a private well can be found by clicking on the link above and searching within Title 19 for:

- Water Supply Wells and Springs
  - PHC Section 19-13-B51(a) through Section 19-13-B51(m) ([pages 82-88](#))

For wells constructed prior to 1971, the version of the regulations at the time the well was constructed is applicable:

- [The Public Health Code of the State of Connecticut and Other Department Regulations, effective June, 1966, Section 19-13-B51](#)
- [The Sanitary Code of the State of Connecticut, effective December 8, 1959, Section 181-1-132](#)

Connecticut Department of Consumer Protection; [Connecticut WELL DRILLING CODE](#) includes:

- Well Drilling, Chapter 482
  - Regulations, Description of Organization, and Rules or Practice for the Well Drilling Industry, Sections 25-128-33 through 25-128-64
  - Regulations on Well Casing Extension, Sections 25-129-1 through 25-129-2

Requirements regarding **permits for private wells** can be found in the PHC Section 19-13-B51m and the Well Drilling Code, Sections 25-128-61 through 25-128-62:

Prior to commencing work on the construction, repair, development, hydrofracturing or abandonment of any well, a registered well contractor shall apply to The State Plumbing and Piping Work Examining Board then to the local Director of Health or his or her agent for the town work is to take place. No well shall be drilled until such a permit has been issued and approved.

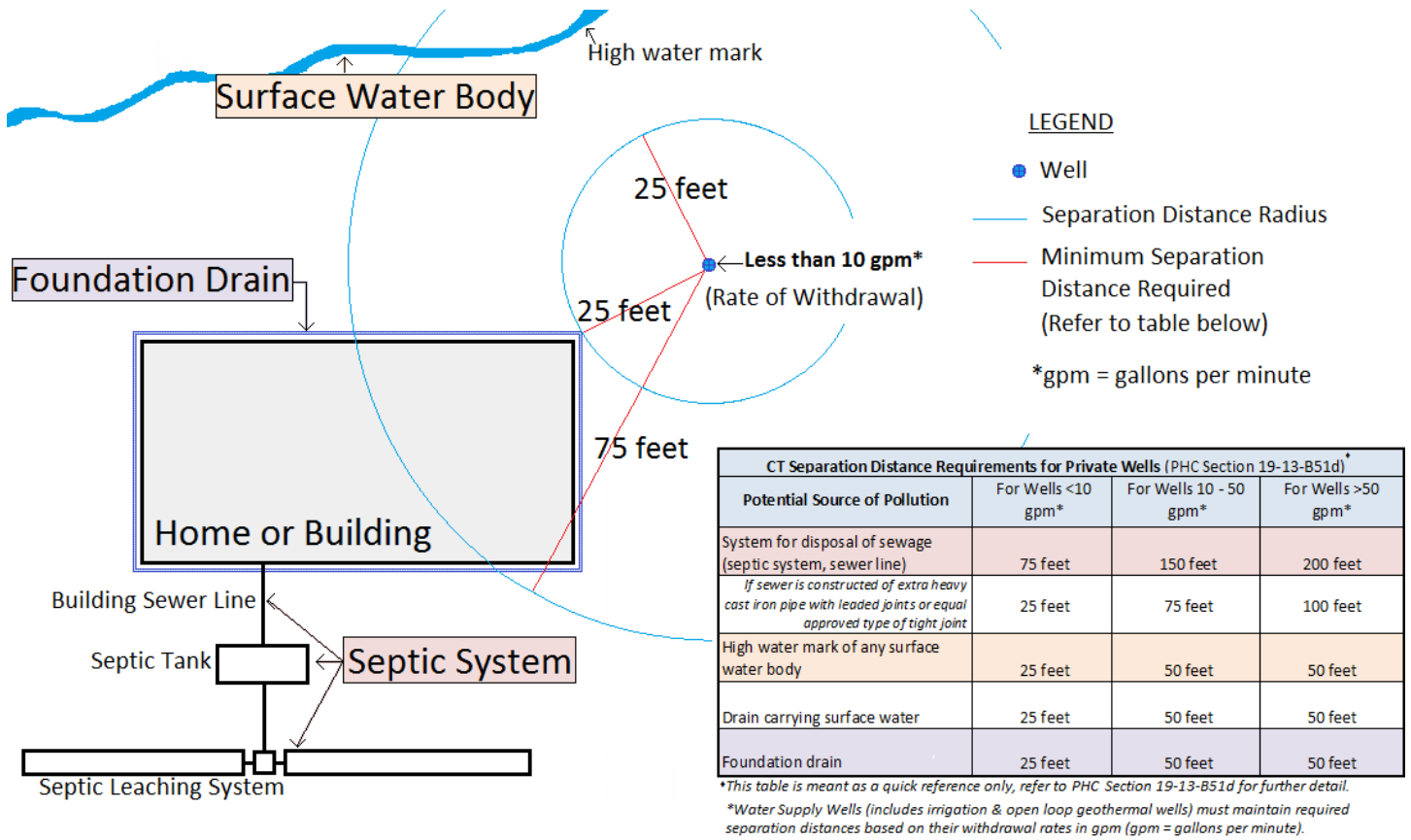
You can find contact information for your local health department at:

[Connecticut Local Health Map](#)

Department of Consumer Protection; Plumbing, Pipefitting and Well Drilling Licensing:

[Applications, Forms and other](#)

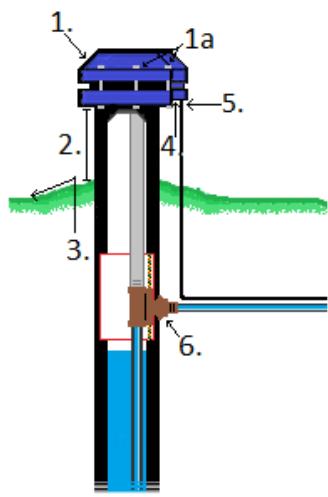
Requirements regarding **private well separation distance requirements** can be found in the Connecticut PHC Section 19-13-B51d. Location.



General **well construction standards for private wells** can be found in both the Connecticut PHC and the Connecticut Department of Consumer Protection Well Drilling Code.

### Drilled Well Construction:

#### General

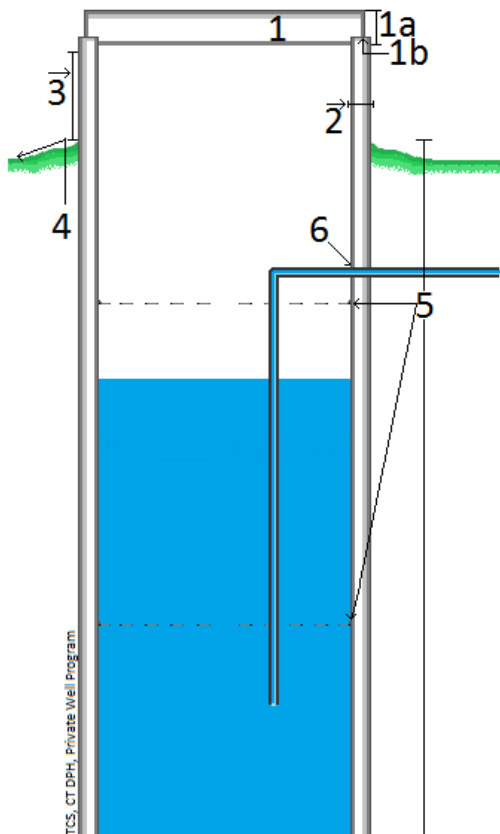


- Well cap should be watertight and equipped with a gasket. All bolts (1a) should be properly secured to ensure compression of the gasket.
- The top of the well casing should extend at least 6-inches above grade.
- Grading around the well should slope away from the well casing to prevent surface water from pooling around it.
- Air vents on newer style watertight well caps are located on the underside of the well cap. In some instances a "mushroom" style air vent may be placed on top of the well cap. All air vents should be screened and shielded.
- Electrical conduit connection should be watertight and properly sealed to the well cap.
- Pitless adaptor configuration allows water pumped from a submersible pump (located deeper in the well) to flow to your home plumbing system.
- Refer to CT DPH, Public Health Code Section 19-13-B51 and the CT DCP, Well Drilling Code Section 25-128-33 through 25-128-64 to view all applicable regulatory requirements for new well construction in their entirety.

Note: Not all drilled wells are equipped with a pitless adaptor (6.) and a submersible pump. Some well pumps are located inside the home and use suction to draw water from the well.

## Dug Well Construction:

### General



1. There should be a watertight joint between the well casing and the well cover.

1a. The well cover should be at least 4-inches thick and constructed of reinforced concrete.

1b. The well cover should overlap the well casing by at least 2-inches.

2. The dug well casing or side walls should be constructed of watertight concrete that is at least 4-inches thick, or other CT DPH approved material.

3. The top of the well casing should extend at least 6-inches above grade.

4. Grading around the well casing should slope away from the well casing to prevent surface water from pooling around it.

5. There should be watertight joints between the dug well's cement tiles or other approved material used to construct the side walls. The dug well casing or side walls should extend to a depth of least 10-feet below grade.

6. The water discharge line from the well to the home should be sealed watertight at the well casing and all other junctions.

7. Refer to CT DPH, Public Health Code Section 19-13-B51 and the CT DCP, Well Drilling Code Section 25-128-33 through 25-128-64 for all applicable regulatory requirements.