



**Northeast
Utilities**

56 Prospect Street, Hartford, CT 06013

Northeast Utilities Service Company
P.O. Box 270
Hartford, CT 06141-0270

August 14, 2014

Robert Stein, Chairman
Connecticut Siting Council
Ten Franklin Square
New Britain, CT 06051

Dear Chairman Stein:

Attached are an original and fifteen (15) copies of a Petition on behalf of The Connecticut Light and Power Company ("CL&P") requesting a determination that no Certificate of Environmental Compatibility and Public Need is required for the proposed modifications to an existing CL&P substation in the Town of Southington, Connecticut.

Also, attached is a check for the filing fee in the amount of \$625.

The Town Manager of the Town of Southington and the abutting property owners have been informed of the Petition.

Sincerely,

John R. Morissette

Attachment: Petition
Notice to Property Owner

cc: Garry Brumback, Town Manager, Town of Southington

THE CONNECTICUT LIGHT AND POWER COMPANY

PETITION TO THE CONNECTICUT SITING COUNCIL
FOR A DECLARATORY RULING OF
NO SUBSTANTIAL ADVERSE ENVIRONMENTAL EFFECT
FOR THE PROPOSED MODIFICATIONS TO AN EXISTING
SUBSTATION IN THE TOWN OF SOUTHLINGTON, CONNECTICUT

1. Northeast Utilities Service Company ("NUSCo") as agent for its corporate affiliate, The Connecticut Light and Power Company ("CL&P"), hereby petitions the Connecticut Siting Council ("Council") for a Determination that no Certificate of Environmental Compatibility and Public Need ("Certificate") is required pursuant to Section 16-50g et seq. of the Connecticut General Statutes for the modifications to CL&P's Canal Substation described herein. NUSCo submits that no such Certificate is required because the proposed modifications would not have a substantial adverse environmental effect.
2. The proposed modifications would take place within the existing fenced area at CL&P's Canal Substation ("Substation") located at 168 Canal Street, Southington, Connecticut.
3. CL&P proposes to install new transmission relay and control enclosure, 115-kV transformer, circuit breakers, motor-operated disconnects, and associated equipment. The Substation is a 115 to 13.2-kV facility.
4. The existing substation arrangement with the proposed modifications is shown in Drawing No. 23104-92001 Yard Arrangement Plan. CL&P's proposed modifications include:
 - a) Replacement of two (2) circuit breaker disconnects with foundation and support structures.
 - b) Replacement of two (2) 115-kV line motor-operated disconnects and associated grounding switches and relocation on existing structures.
 - c) Addition of one (1) transmission relay and control enclosure with protective relay and associated equipment. The proposed enclosure would be 52 feet long by 24 feet wide by 13.5 feet high on a new foundation pad.
 - d) Installation of one (1) 115-kV 60-MVA transformer with an oil containment sump.
 - e) Installation of one (1) 115-kV transformer motor-operated disconnect switch with support structures.
 - f) Installation of two 115-kV line traps on existing support structures.
 - g) Installation of two (2) complete sets of three (3) Capacitor Coupled Voltage Transformers ("CCVTs") with new foundations and support structures.

- h) Installation of new protective relaying systems/cabinets.
 - i) Installation of one (1) new 115-kV sulfur hexafluoride ("SF₆") circuit breaker with new foundation.
 - j) Installation of two (2) 115-kV circuit switchers.
 - k) Installation of a one (1) 23-kV distribution switchgear power control enclosure.
 - l) Installation of a 115-kV underground cable and associated duct bank in the Substation yard.
 - m) Installation of associated foundations, conduits and cable trenches.
5. The proposed modifications would not have a substantial adverse environmental effect because:
- a) All modifications would be made within the Substation's existing fenced area and would not impair the structural integrity of the facility.
 - b) All new equipment would be shorter than the tallest existing structure within the Substation.
 - c) The work would not affect wetlands or waterways. The Substation is not in a 100- or 500-year flood zone.
 - d) CL&P's review of the Department of Energy and Environmental Protection's Natural Diversity Data Base ("NDDDB") identified no state-listed species in the vicinity of the Substation.
 - e) There would be no television or radio interference.
 - f) Sound-pressure levels at all points along the property line would continue to meet state regulations.
6. CL&P proposes to commence work preparation in fall 2014, construction in January 2015 and expects the work to be completed by June 2016.
7. Section 16-50k(a) of the Connecticut General Statutes indicates that a Certificate is not needed for proposed modifications of a facility that the Council determines do not have a "substantial adverse environmental effect." NUSCo respectfully submits that the modifications would not result in a substantial adverse effect on the environment or ecology, nor would they damage existing scenic, historical or recreational values. Accordingly, NUSCo requests that the Council issue a declaratory ruling that the proposed modifications would have no substantial adverse environmental effect and, therefore, no Certificate is required.

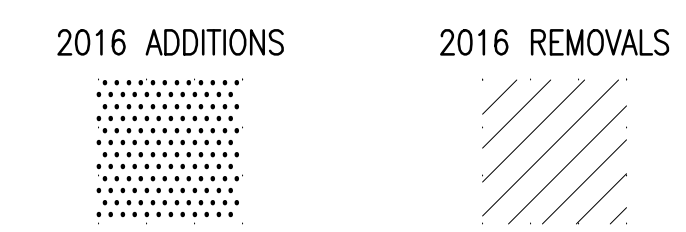
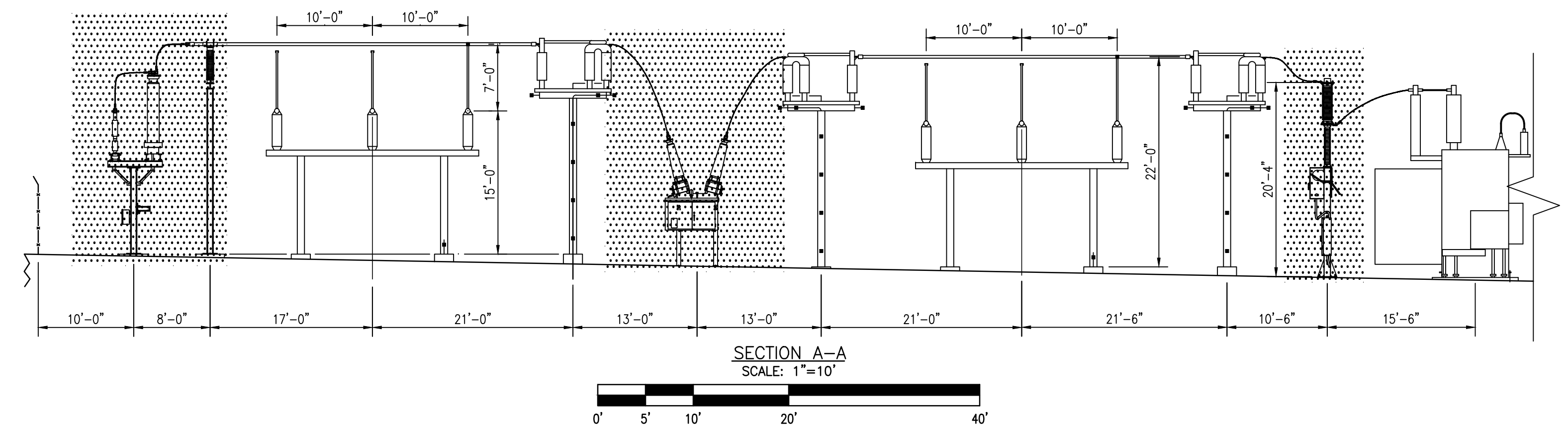
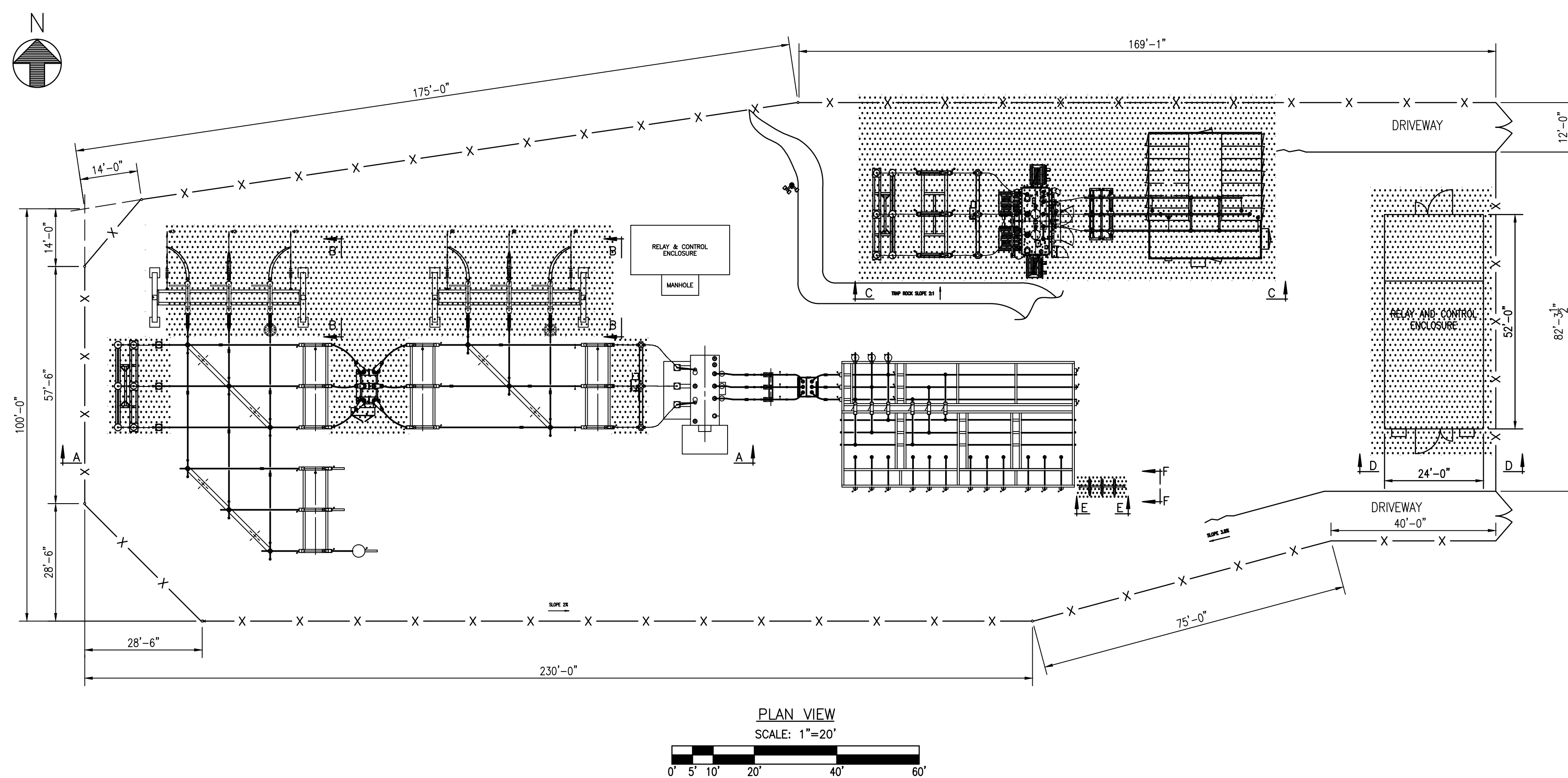
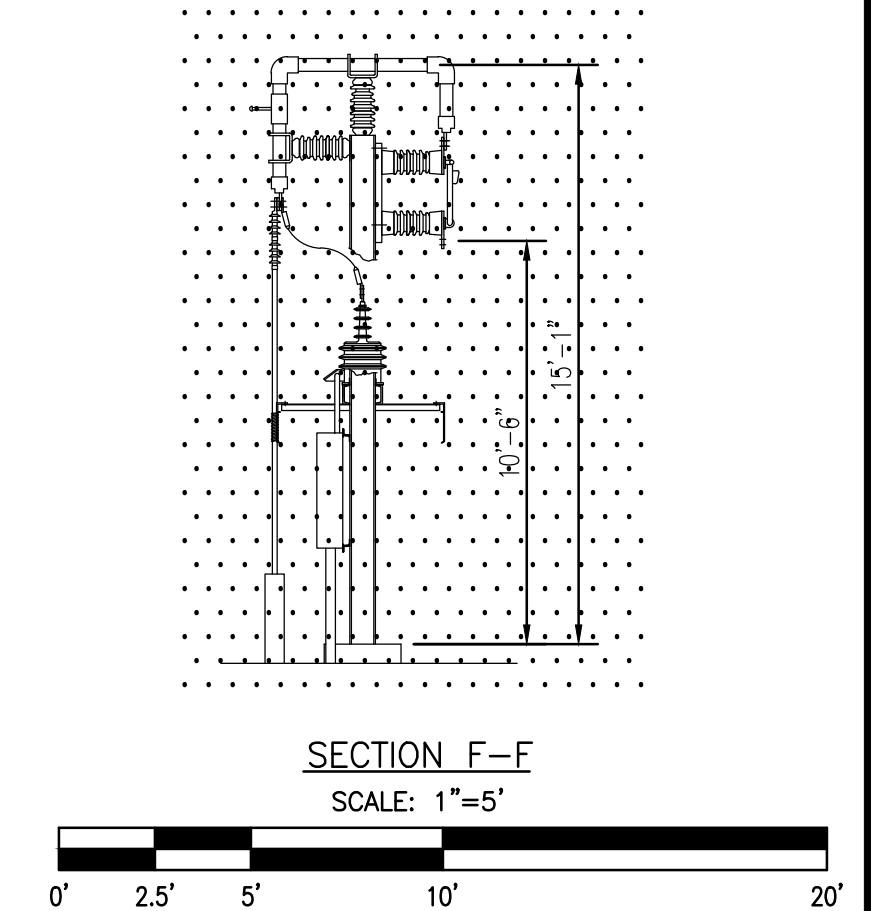
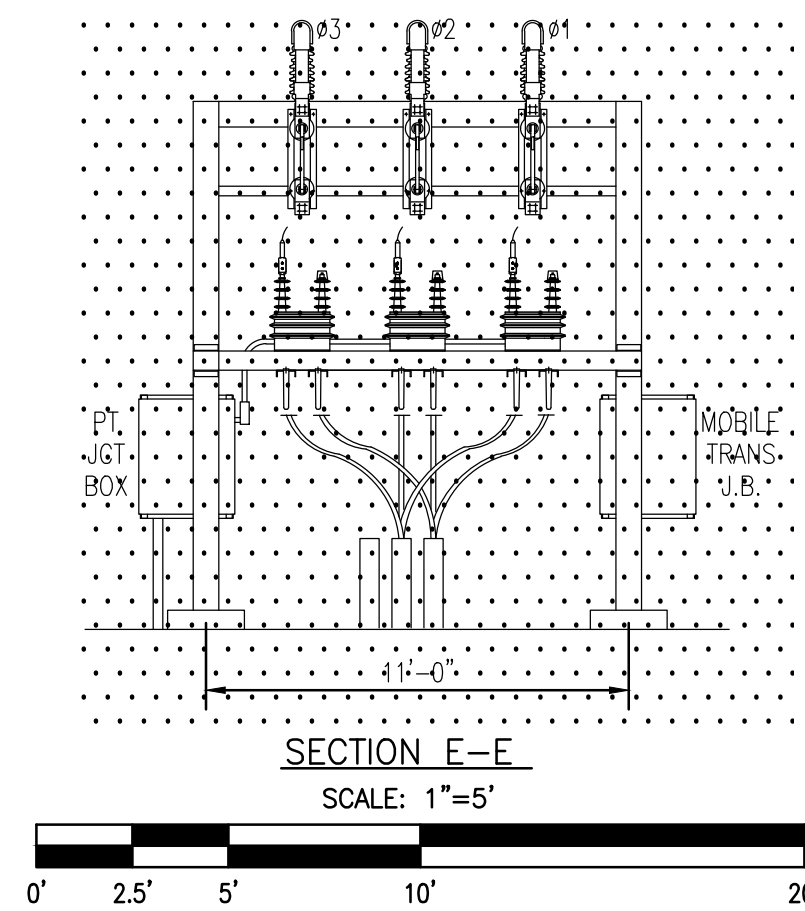
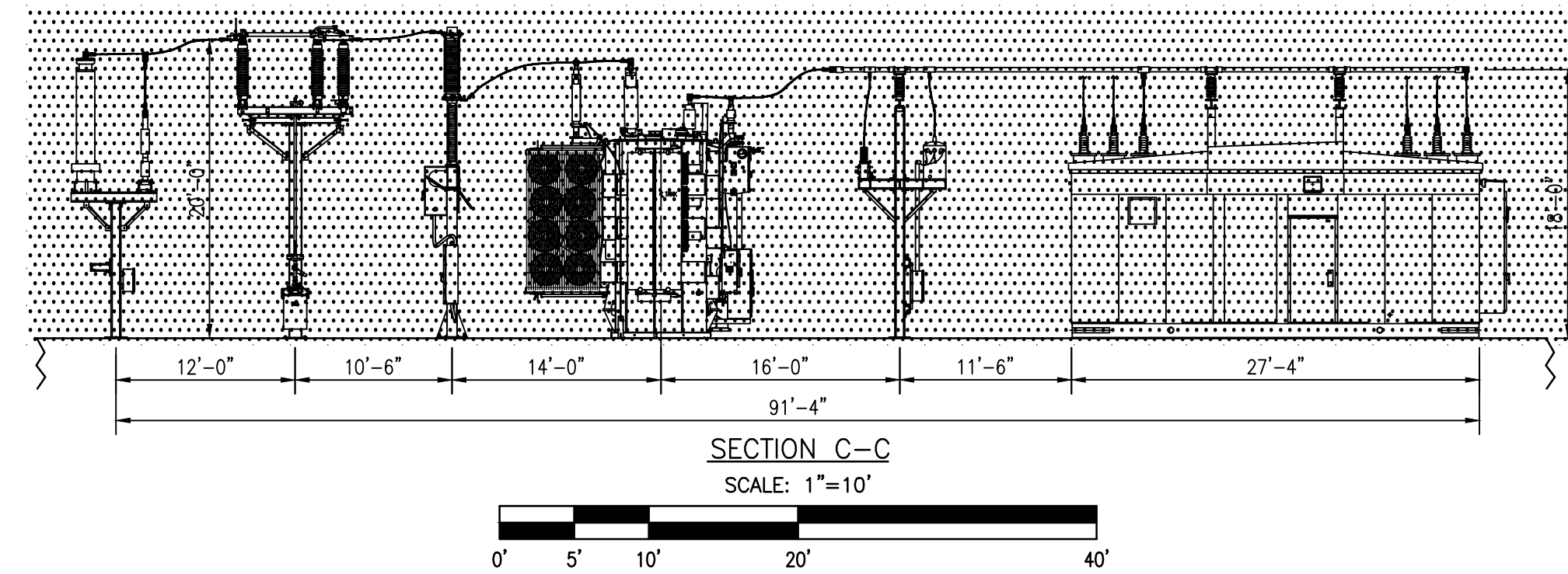
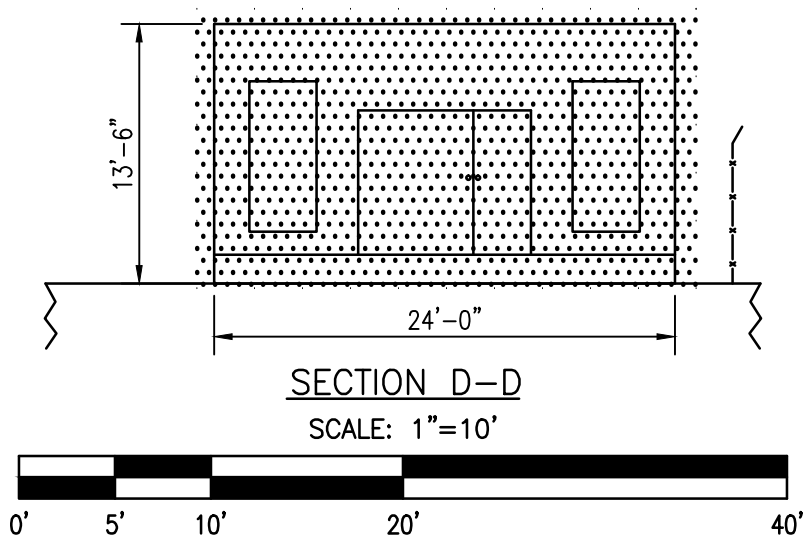
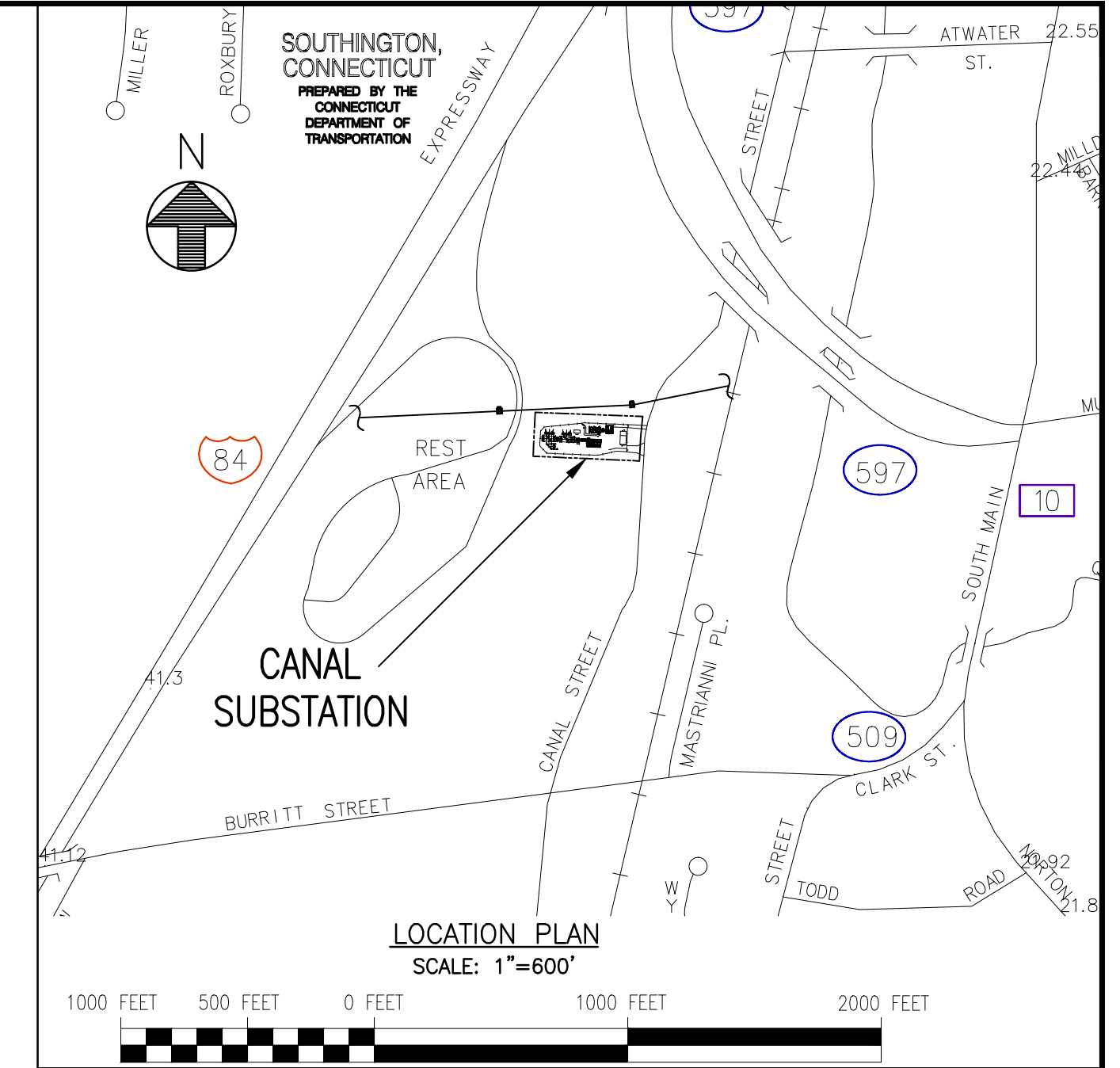
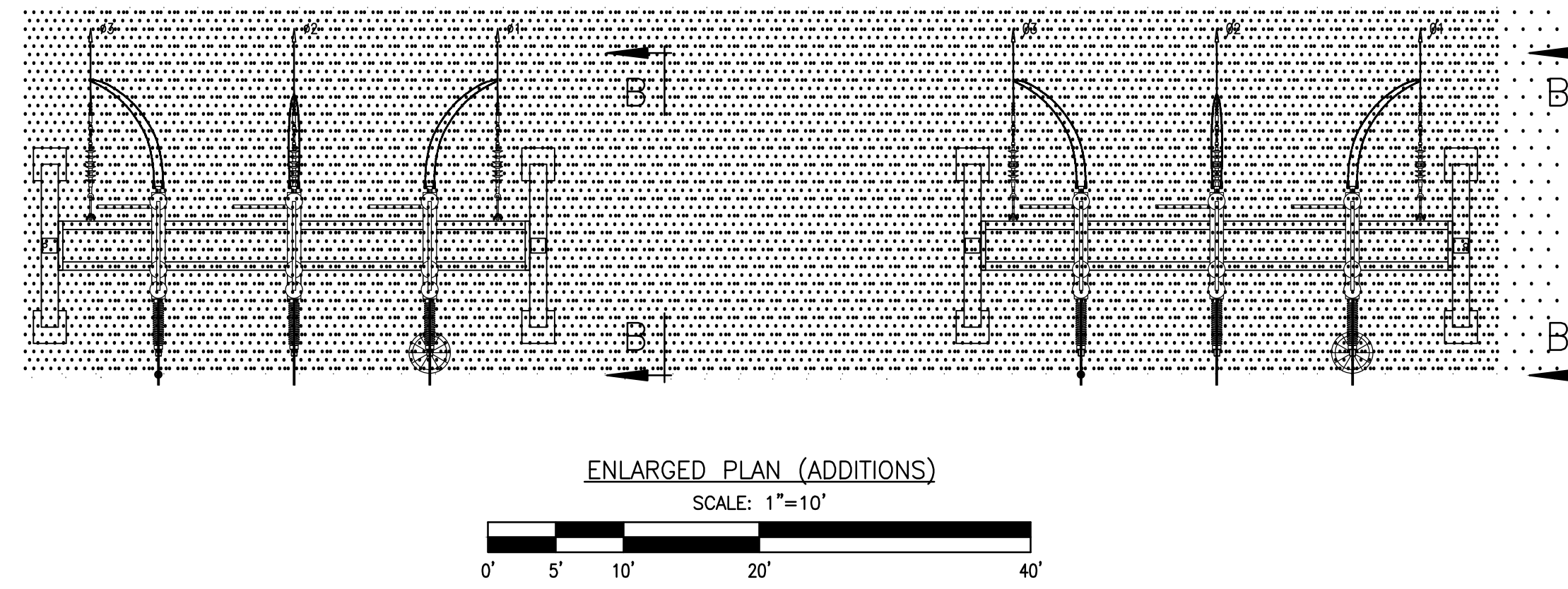
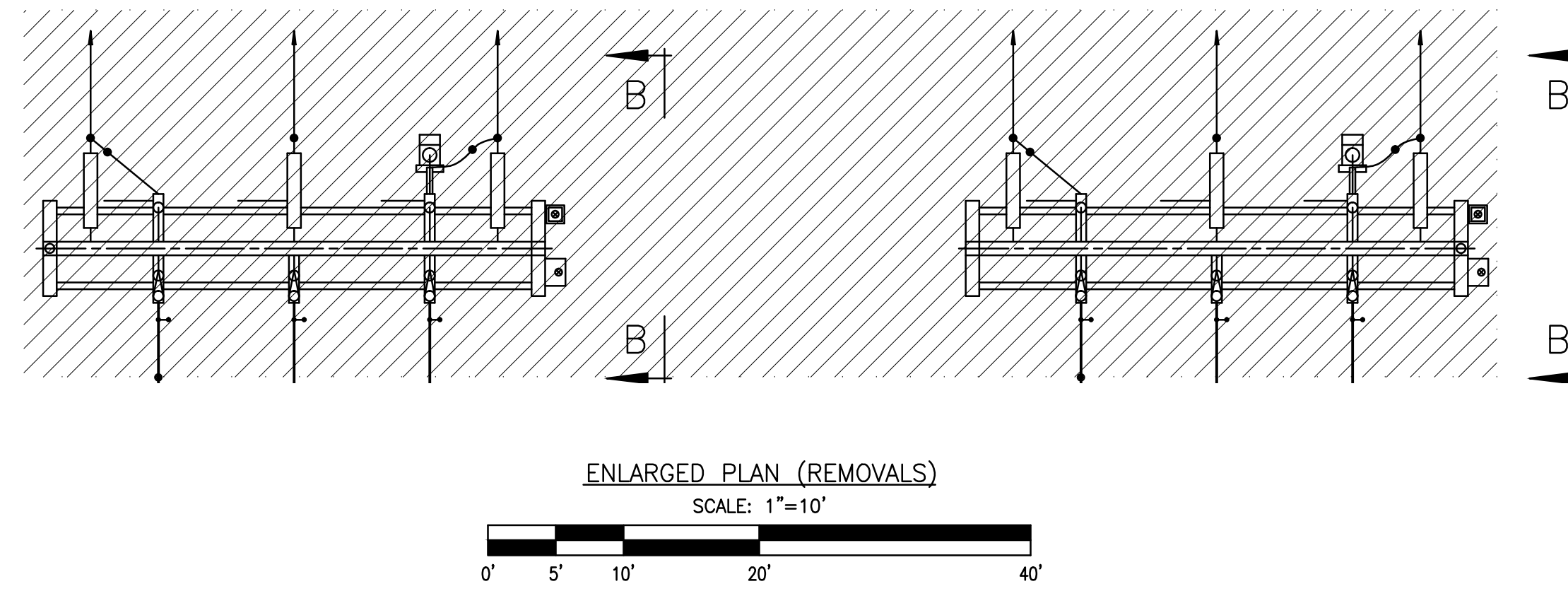
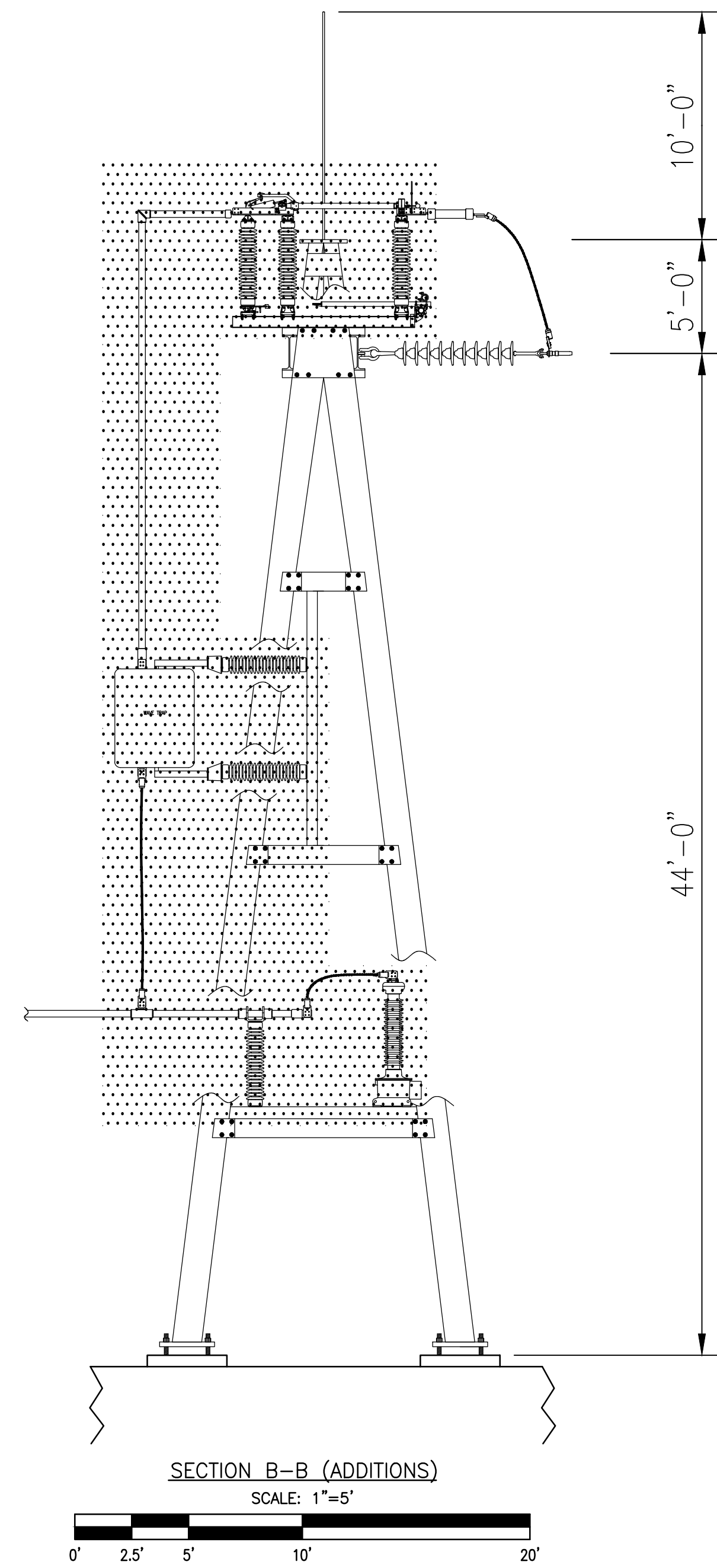
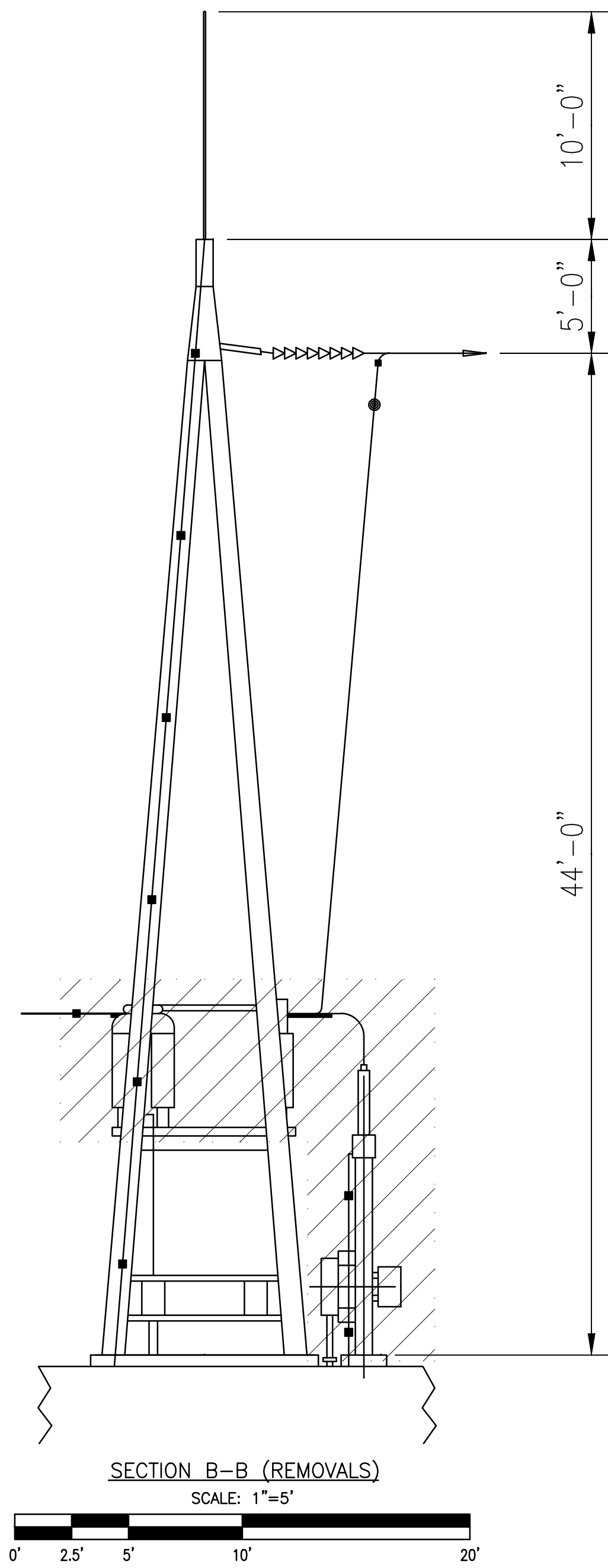
8. Communications regarding this Petition for a Declaratory Ruling should be directed to:

Mr. John R. Morissette
Project Manager, Transmission Siting
Northeast Utilities Service Company
PO Box 270
Hartford, CT 06141-0270
Telephone: (860) 728-4532

By: 

John R. Morissette.
Project Manager – Transmission Siting

Attachment: A. Drawing No. 23104-92001 Yard Arrangement Plan



NO.	DATE	AS BUILT REVISIONS	BY	CHK'D	APP'D	FILE NUMBER	ISSUE

Northeast Utilities Service Co.							
FOR THE CONNECTICUT LIGHT AND POWER COMPANY							
TITLE: CANAL SUBSTATION YARD ARRANGEMENT - PLAN & SECTIONS CONNECTICUT SITING COUNCIL SOUTHINGTON, CT							
BY	DAK	SRD	DWS	APP	APP	KA	
DATE	4/14		7/14			8/14	
F-SCALE	AS NOTED		F		FIELD BOOK & PAGES		
V-SCALE	SAME				FILE DWG		
FILE NUMBER							23104-92001



**Connecticut
Light & Power**

A Northeast Utilities Company

The Connecticut Light and Power Company
P.O. Box 270
Hartford, CT 06141-0270

August 6, 2014

Dear Neighbor,

As part of its everyday effort to deliver reliable energy and superior customer service, Connecticut Light & Power (CL&P) has scheduled transmission work in an electric substation in your area. This work will help maintain the reliability of the electrical system serving our state.

Reliability Improvements in Your Neighborhood

CL&P plans to add new equipment in the Canal Substation located at 168 Canal Street, Southington, Conn., beginning early next year. A Petition to the Connecticut Siting Council is scheduled to be filed during the week of August 11 in accordance with regulatory requirements. Work will begin following the regulatory approvals.

What You Can Expect

The construction work starting in 2015 is likely to involve the following:

- There will be construction vehicles -- including heavy equipment and boom trucks -- around the substation and in the roadway.
- Crews will remove some of the existing equipment in the substation, and replace them with upgraded equipment. A new transformer and switchgear will also be installed.
- A new control enclosure will be built to house new technology and upgraded equipment.
- The new equipment will be installed within the existing substation fence, and crews will restore any areas disturbed by the work at project completion.

The project is estimated to be ongoing through the end of May 2016. The schedule is subject to change due to weather and other unexpected circumstances.

Our Commitment to You

We will do our best to minimize any inconvenience caused by this project. Thank you in advance for your patience as we work to improve reliability for our customers.

Keeping the lines of communication open is an important part of our work in your community. If you have questions, please call the CL&P Transmission Information Line at 1-800-793-2202 or email us at TransmissionInfo@nu.com.

Sincerely,

Kris Aberg

Kris Aberg
Transmission Project Manager
Canal Substation Project