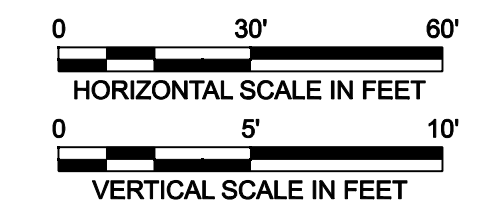
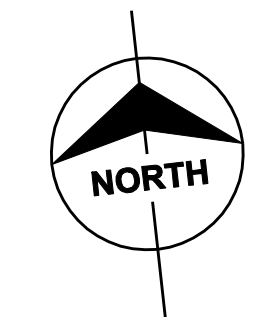
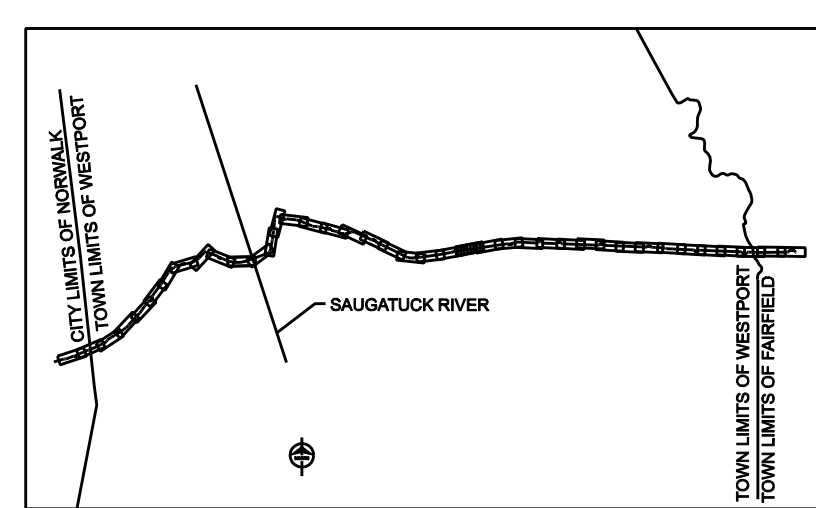
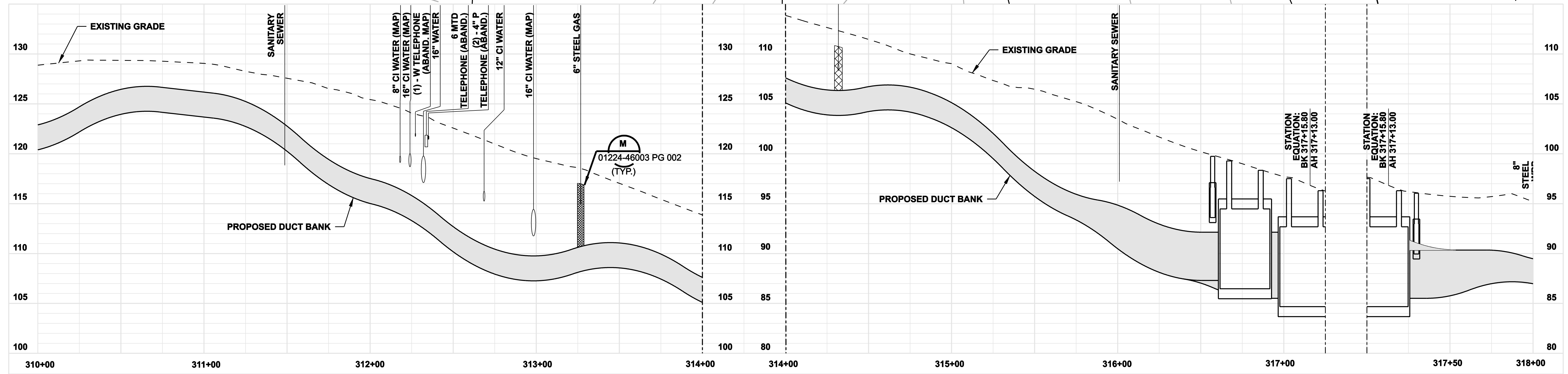


- NOTES:**
1. SILT FENCE ON DOWN SLOPE SIDE OF CONSTRUCTION AREA, INCLUDING SPOIL PILES. WHEN AREAS ARE CURRENTLY PAVED USE CONDOT APPROVED SEDIMENT CONTROL MEASURES.
 2. TREES, SHRUBS AND/OR LANDSCAPING SHALL BE REMOVED.



ISSUED FOR CONSTRUCTION

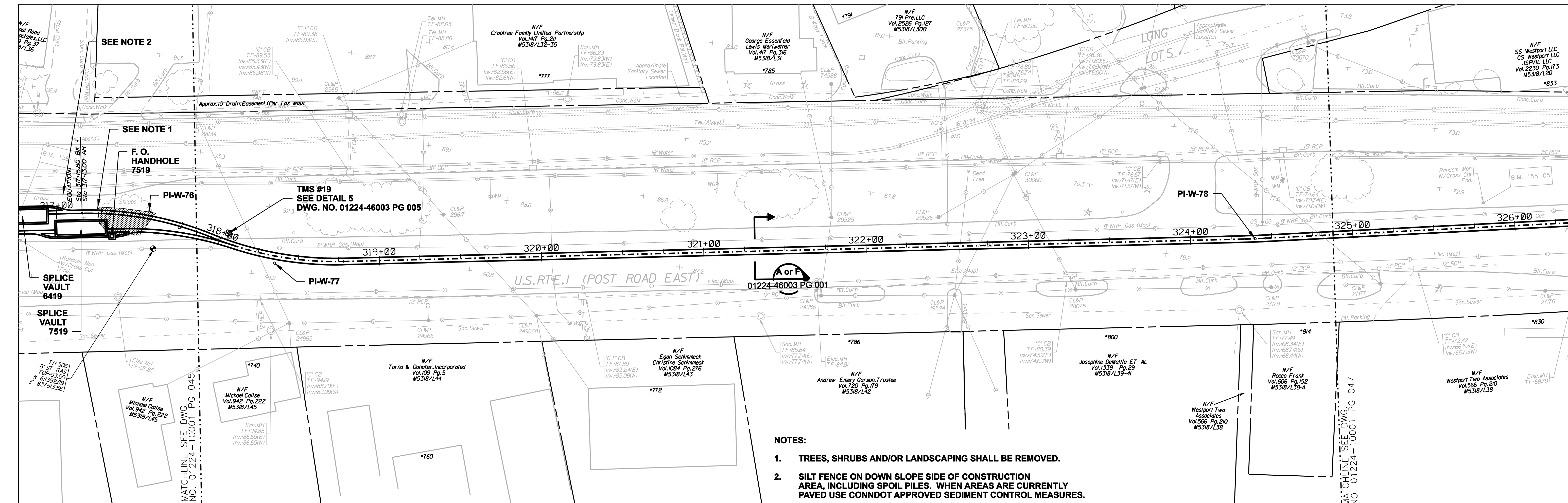
DOCKET No. 272



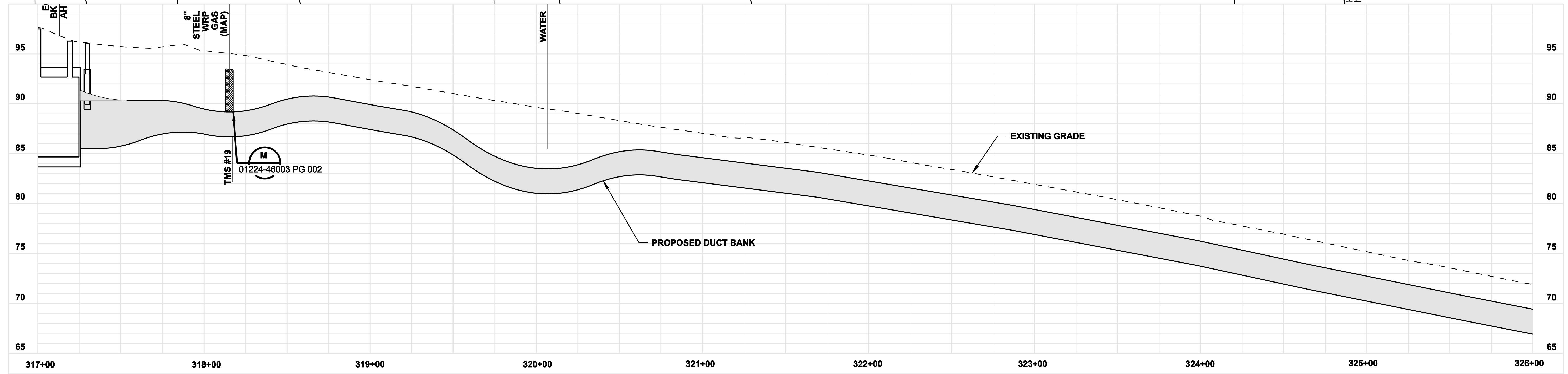
date		11/10/05		detailed		L. ROWSE	
designed		C. COURTRIGHT		checked		S. NEWLAND	
no.		date		revisions		by	
1	5/10/07	ISSUED CSC REVISED		CTC			

NORTHEAST UTILITIES SERVICE CO.			
FOR THE CONNECTICUT LIGHT & POWER COMPANY			
TITLE MIDDLETOWN-NORWALK 345KV TRANSMISSION PROJECT			
TOWN OF WESTPORT PLAN AND PROFILE Sta. 310+00 to 318+00			
BY SEN-BMCD	CHKD	APP	APP
DATE 11-10-05	DATE	DATE	DATE
SCALE AS NOTED	DWG. NO.		01224-10001 PG 045

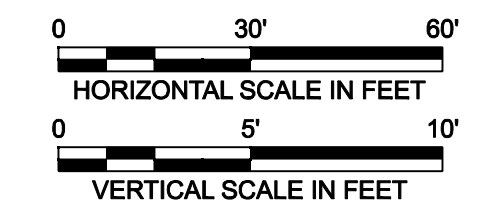
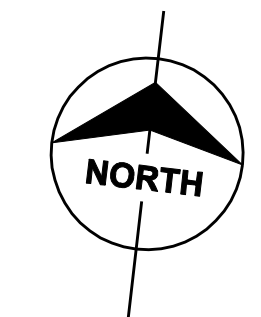
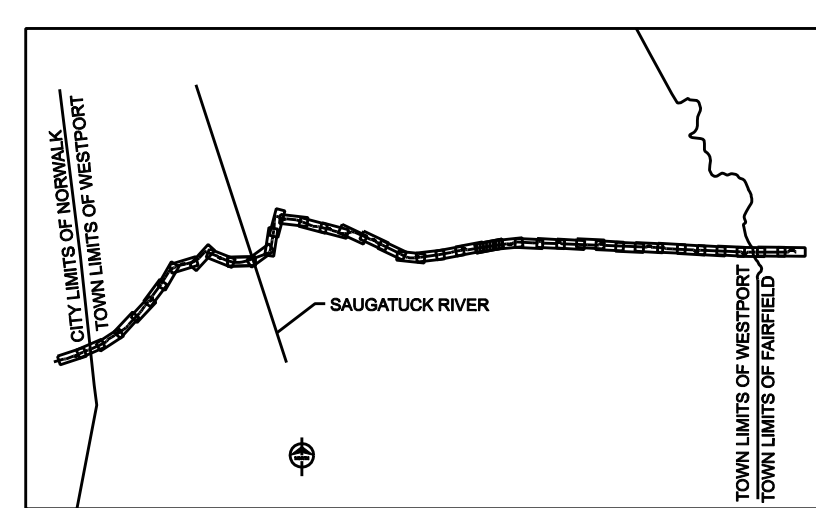
COPYRIGHT © 2007 BURNS & MCDONNELL ENGINEERING COMPANY, INC.



- NOTES:**
- TREES, SHRUBS AND/OR LANDSCAPING SHALL BE REMOVED.
 - SILT FENCE ON DOWN SLOPE SIDE OF CONSTRUCTION AREA, INCLUDING SPOIL PILES. WHEN AREAS ARE CURRENTLY PAVED USE CONDOT APPROVED SEDIMENT CONTROL MEASURES.



COPYRIGHT © 2007 BURNS & MCDONNELL ENGINEERING COMPANY, INC.



**ISSUED FOR
CONSTRUCTION**

DOCKET No. 272



date 11/10/05
designed C. COURTRIGHT
detailed L. ROWSE
checked S. NEWLAND

no.	date	revisions	by	chk
1	5/10/07	ISSUED CSC REVISED	CTC	

MF	NO.	DATE	REVISIONS	BY	CHK	APP	APP

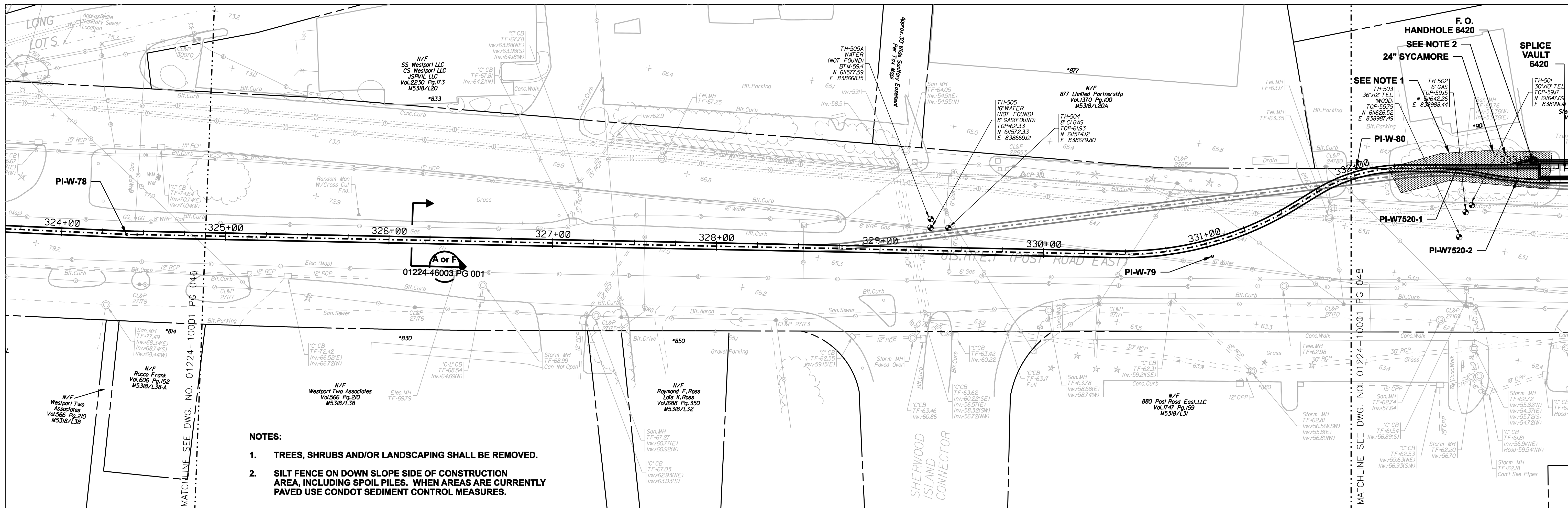
NORTHEAST UTILITIES SERVICE CO.

FOR THE CONNECTICUT LIGHT & POWER COMPANY

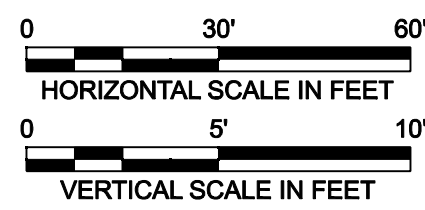
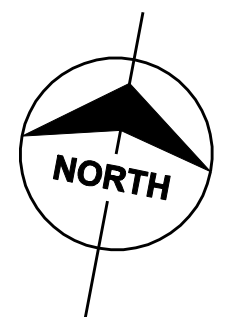
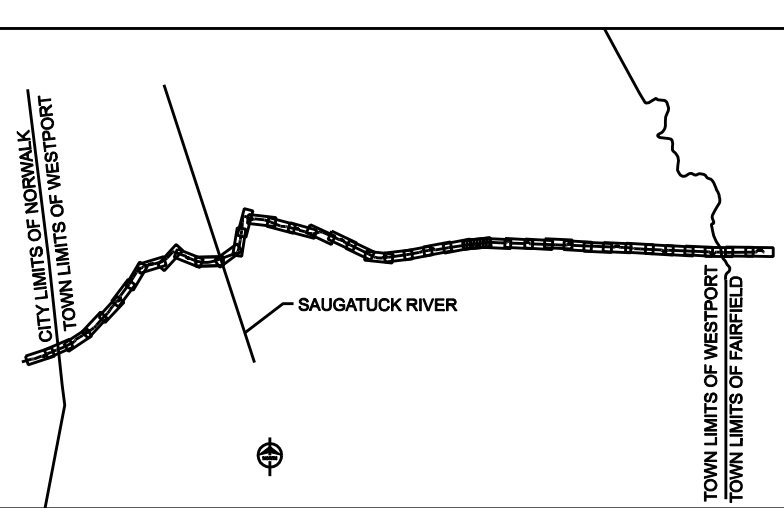
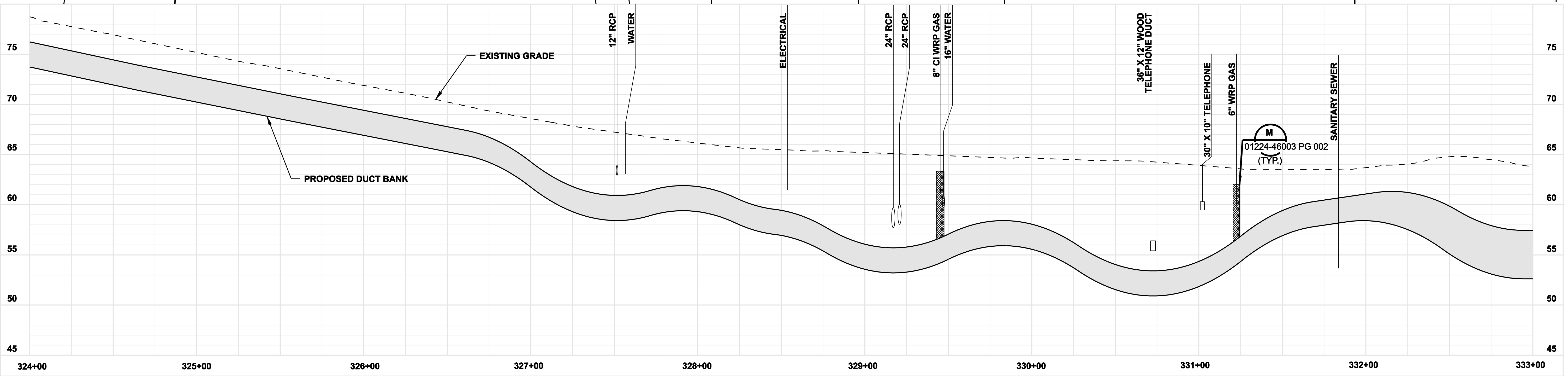
TITLE
MIDDLETOWN-NORWALK 345KV TRANSMISSION PROJECT

TOWN OF WESTPORT
PLAN AND PROFILE Sta. 317+00 to 326+00

BY SEN-BMCD	CHKD	APP	APP
DATE 11-10-05	DATE	DATE	DATE
SCALE AS NOTED	D	DWG. NO. 01224-10001 PG 046	



- NOTES:**
1. TREES, SHRUBS AND/OR LANDSCAPING SHALL BE REMOVED.
 2. SILT FENCE ON DOWN SLOPE SIDE OF CONSTRUCTION AREA, INCLUDING SPOIL PILES. WHEN AREAS ARE CURRENTLY PAVED USE CONDOT SEDIMENT CONTROL MEASURES.



ISSUED FOR CONSTRUCTION

DOCKET No. 272



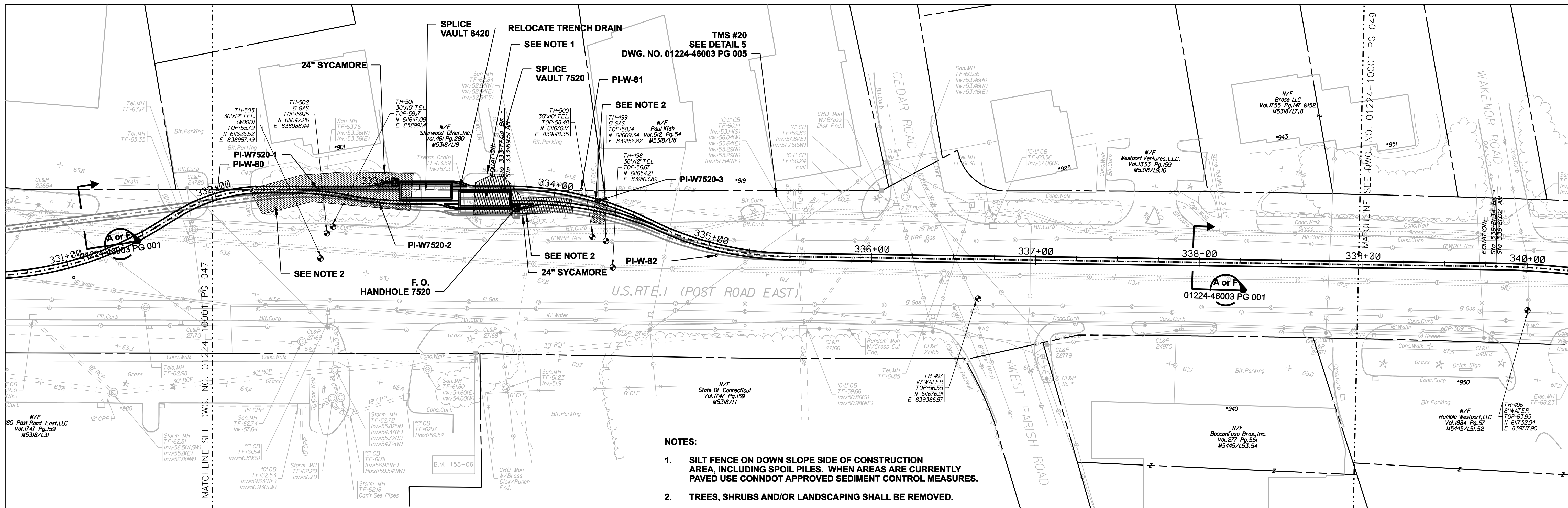
date 11/10/05
 detailed L. ROWSE
 designed C. COURTRIGHT
 checked S. NEWLAND

no.	date	revisions	by	chk
1	5/10/07	ISSUED CSC REVISED	CTC	

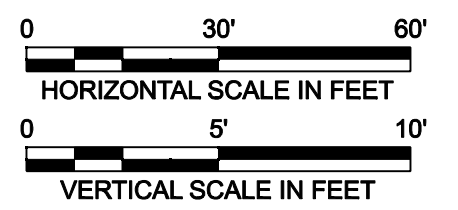
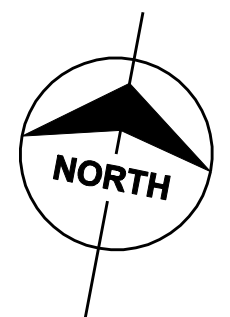
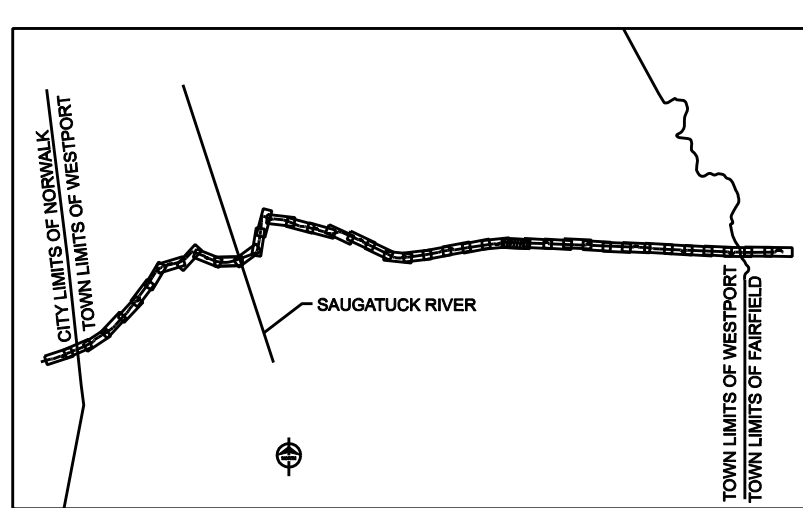
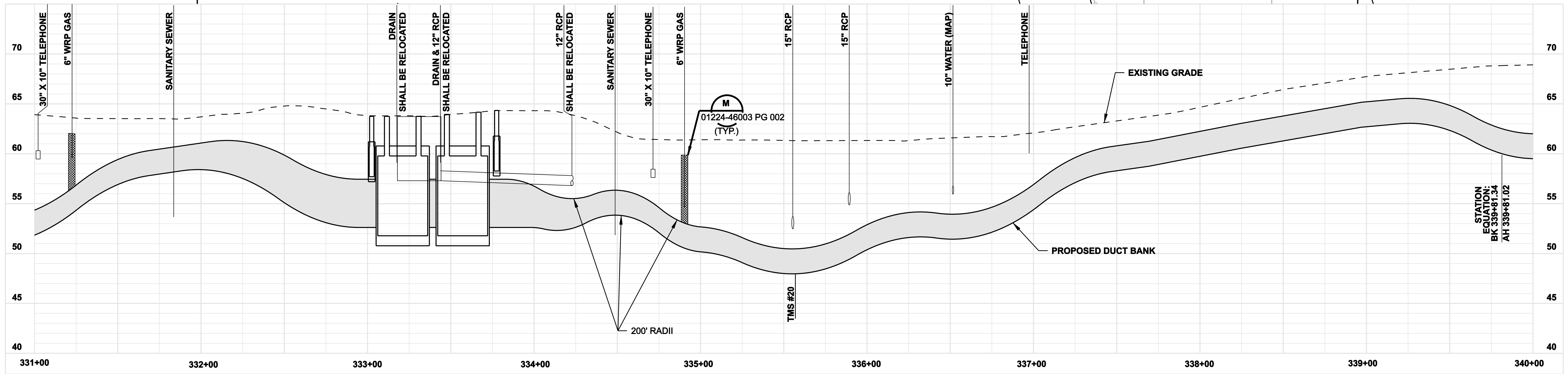
MF	NO.	DATE	REVISIONS	BY	CHK	APP	APP

NORTHEAST UTILITIES SERVICE CO.			
FOR THE CONNECTICUT LIGHT & POWER COMPANY			
TITLE MIDDLETOWN-NORWALK 345KV TRANSMISSION PROJECT			
TOWN OF WESTPORT PLAN AND PROFILE Sta. 324+00 to 333+00			
BY SEN-BMCD	CHKD	APP	APP
DATE 11-10-05	DATE	DATE	DATE
SCALE AS NOTED	DWG. NO. 01224-10001 PG 047		

COPYRIGHT © 2007 BURNS & MCDONNELL ENGINEERING COMPANY, INC.



- NOTES:**
1. SILT FENCE ON DOWN SLOPE SIDE OF CONSTRUCTION AREA, INCLUDING SPOIL PILES. WHEN AREAS ARE CURRENTLY PAVED USE CONDOT APPROVED SEDIMENT CONTROL MEASURES.
 2. TREES, SHRUBS AND/OR LANDSCAPING SHALL BE REMOVED.



ISSUED FOR CONSTRUCTION

DOCKET No. 272



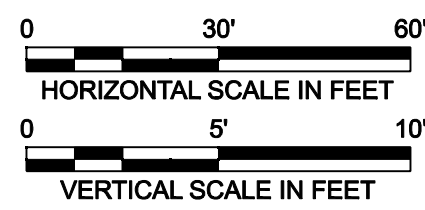
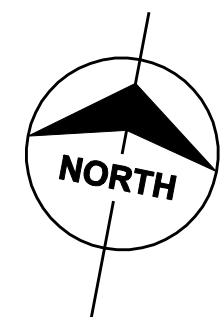
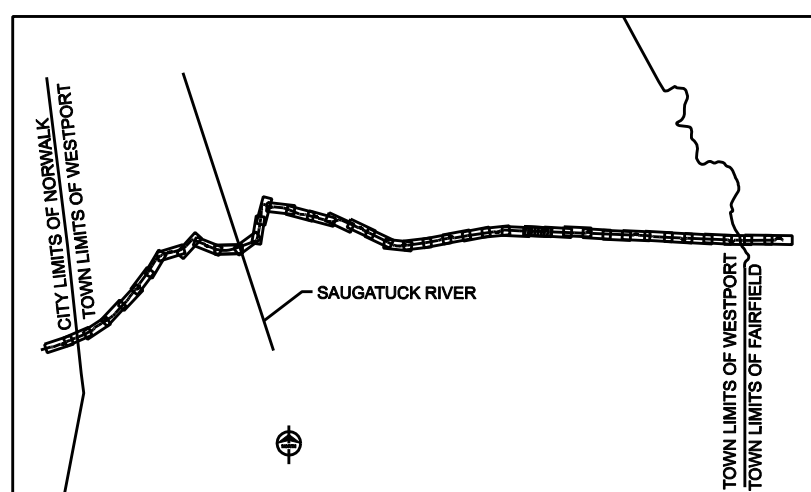
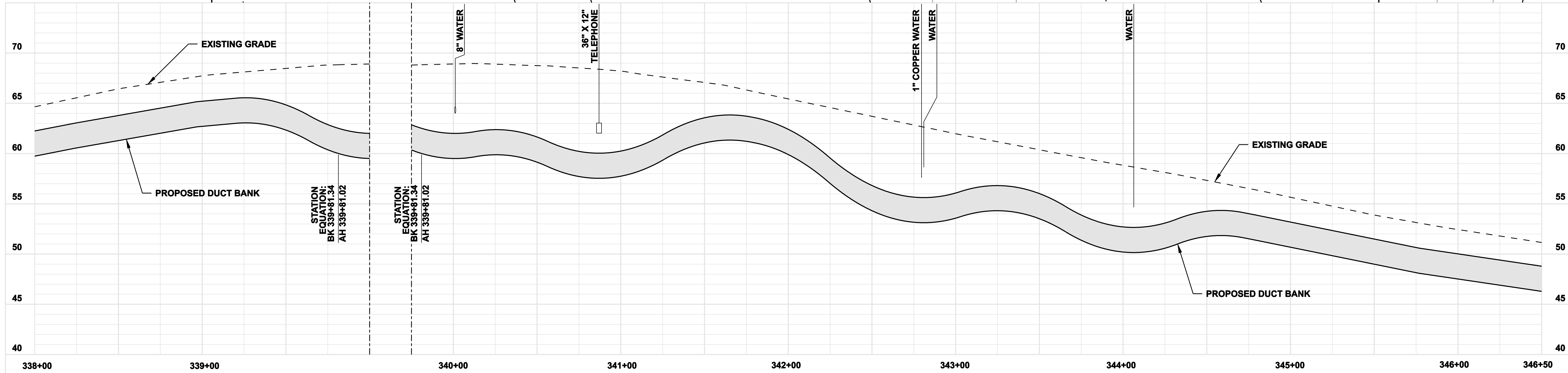
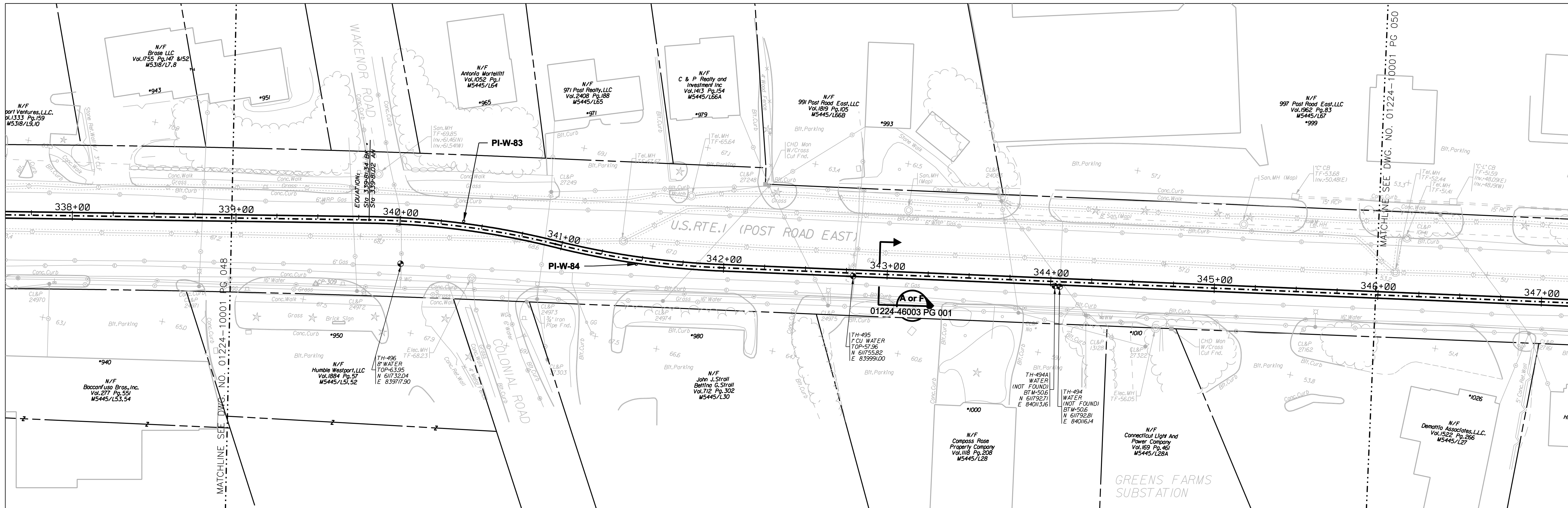
date 11/10/05
 detailed L. ROWSE
 designed C. COURTRIGHT
 checked S. NEWLAND

no.	date	revisions	by	chk
1	5/10/07	ISSUED CSC REVISED	CTC	

NORTHEAST UTILITIES SERVICE CO.							
FOR THE CONNECTICUT LIGHT & POWER COMPANY							
TITLE MIDDLETOWN-NORWALK 345KV TRANSMISSION PROJECT							
TOWN OF WESTPORT PLAN AND PROFILE Sta. 331+00 to 340+00							
BY SEN-BMCD	CHKD	APP	APP				
DATE 11-10-05	DATE	DATE	DATE				
SCALE AS NOTED	DWG. NO.		DATE				
	D	01224-10001 PG 048					
MF	NO.	DATE	REVISIONS	BY	CHK	APP	APP

COPYRIGHT © 2007 BURNS & MCDONNELL ENGINEERING COMPANY, INC.

COPYRIGHT © 2007 BURNS & McDONNELL ENGINEERING COMPANY, INC.



ISSUED FOR CONSTRUCTION

DOCKET No. 272



date 11/10/05
 detailed L. ROWSE
 designed C. COURTRIGHT
 checked S. NEWLAND

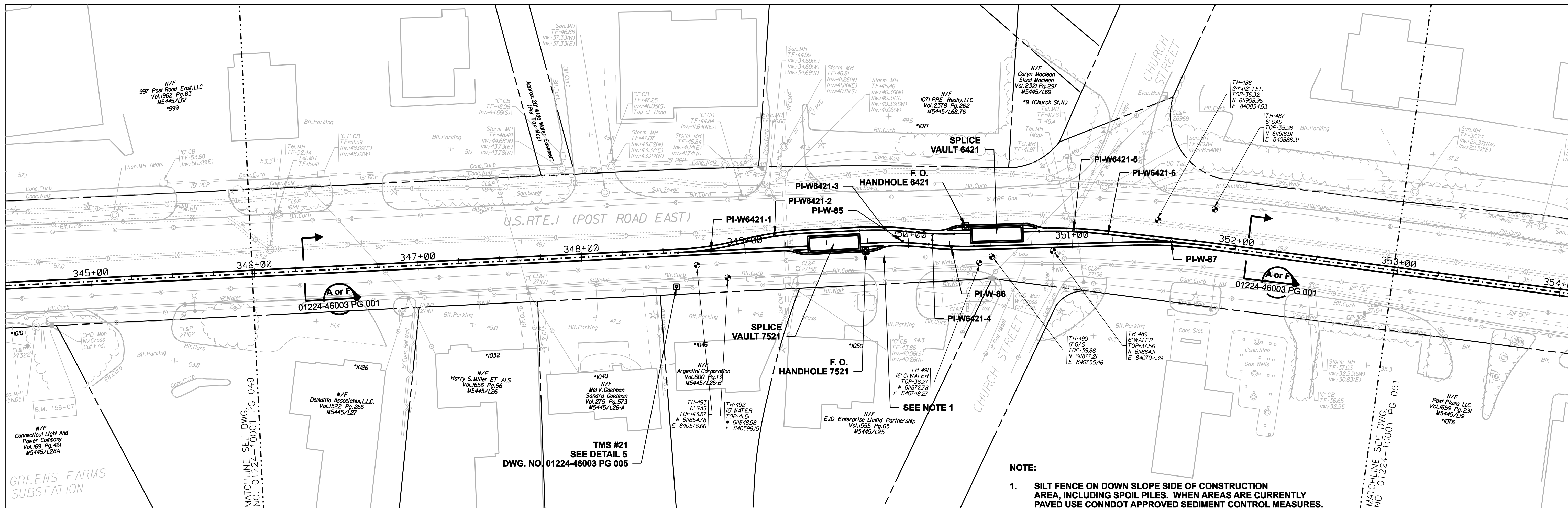
no.	date	revisions	by	chk
1	5/10/07	ISSUED CSC REVISED		CTC

MF	NO.	DATE	REVISIONS	BY	CHK	APP	APP

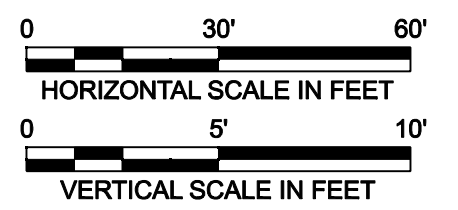
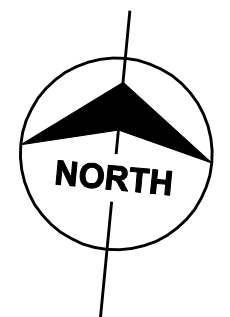
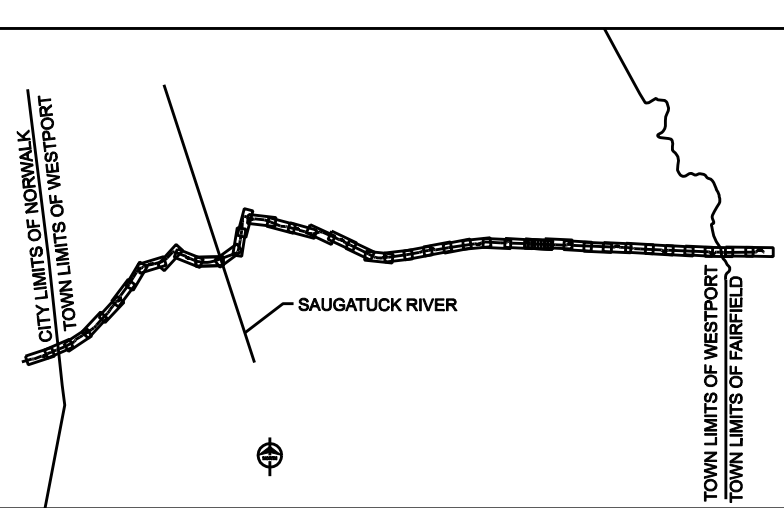
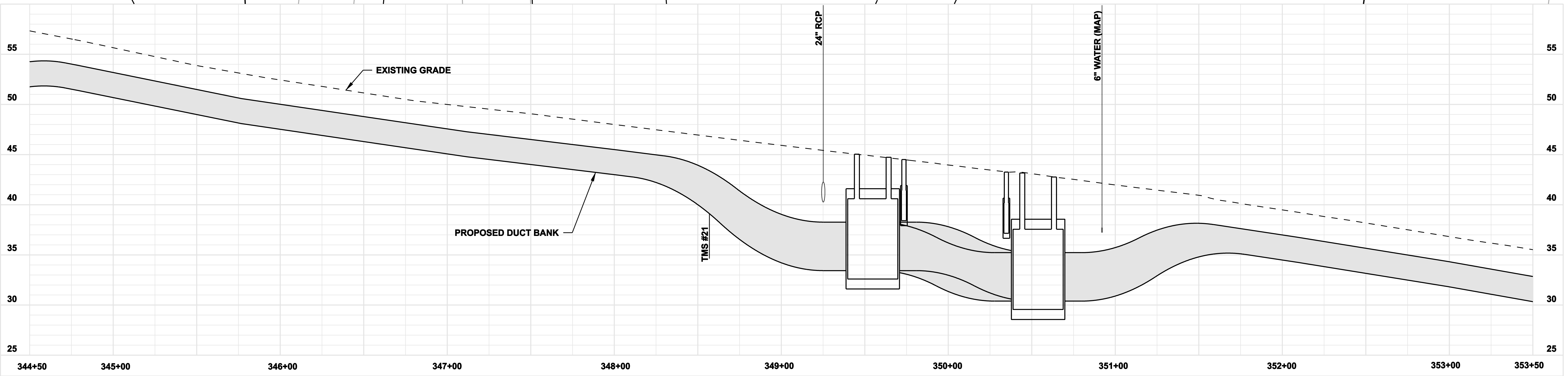
NORTHEAST UTILITIES SERVICE CO.

FOR THE CONNECTICUT LIGHT & POWER COMPANY
 TITLE MIDDLETOWN-NORWALK 345KV TRANSMISSION PROJECT
 TOWN OF WESTPORT
 PLAN AND PROFILE Sta. 338+00 to 346+50

BY	SEN-BMCD	CHKD	APP	APP
DATE	11-10-05	DATE	DATE	DATE
SCALE	AS NOTED	DWG. NO.	01224-10001 PG 049	



NOTE:
 1. SILT FENCE ON DOWN SLOPE SIDE OF CONSTRUCTION AREA, INCLUDING SPOIL PILES. WHEN AREAS ARE CURRENTLY PAVED USE CONDOT APPROVED SEDIMENT CONTROL MEASURES.



ISSUED FOR CONSTRUCTION

DOCKET No. 272



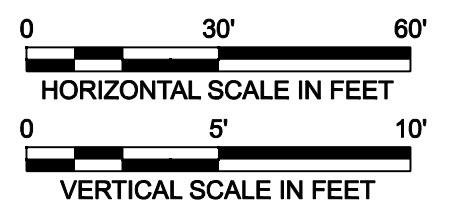
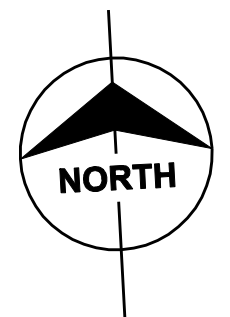
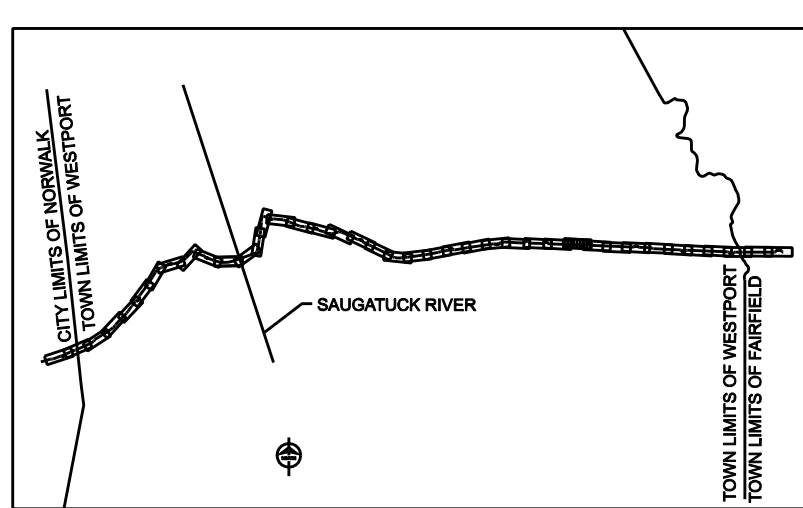
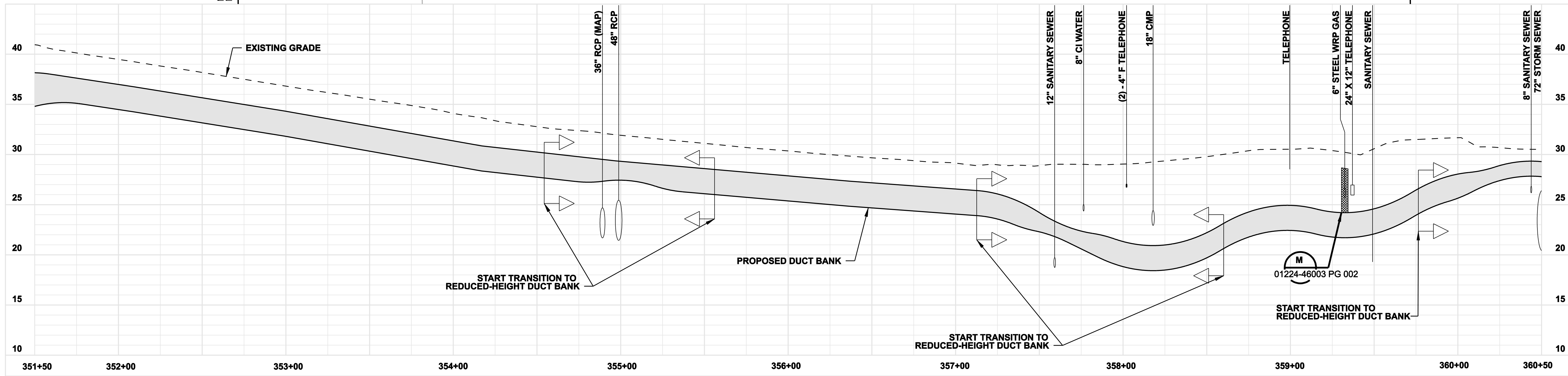
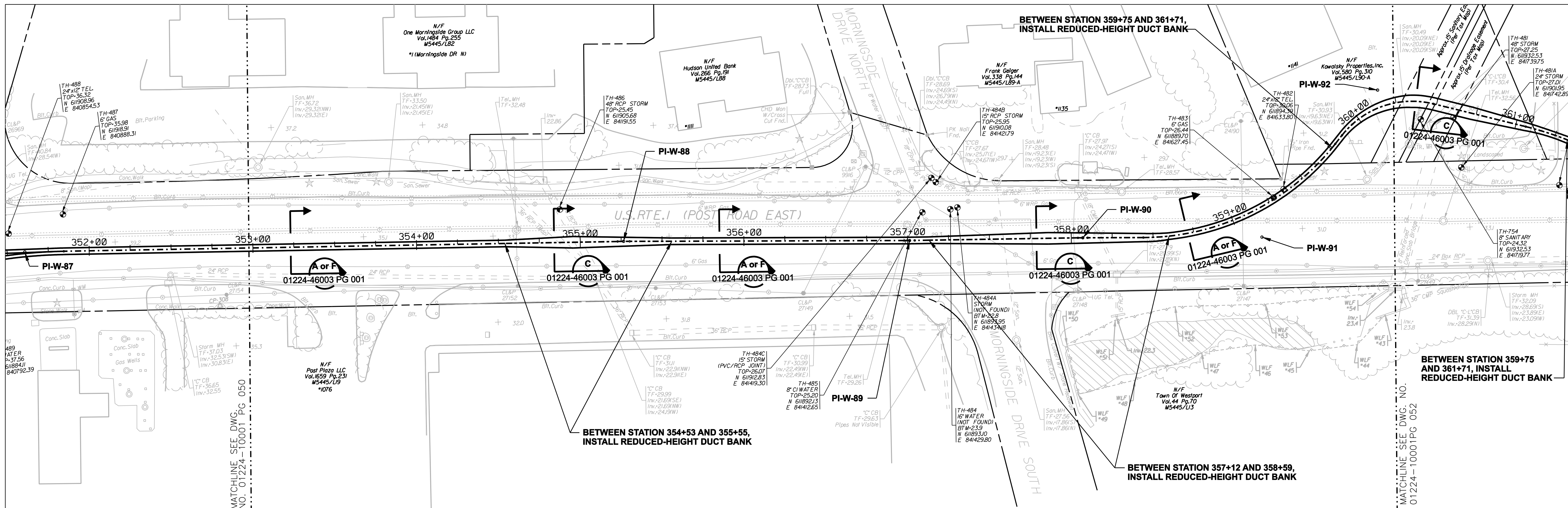
date 11/10/05
 designed C. COURTRIGHT
 detailed L. ROWSE
 checked S. NEWLAND

no.	date	revisions	by	chk
1	5/10/07	ISSUED CSC REVISED	CTC	

MF	NO.	DATE	REVISIONS	BY	CHK	APP	APP

NORTHEAST UTILITIES SERVICE CO.			
FOR THE CONNECTICUT LIGHT & POWER COMPANY			
TITLE MIDDLETOWN-NORWALK 345KV TRANSMISSION PROJECT			
TOWN OF WESTPORT PLAN AND PROFILE Sta. 344+50 to 353+50			
BY SEN-BMCD	CHKD	APP	APP
DATE 11-10-05	DATE	DATE	DATE
SCALE AS NOTED	D	DWG. NO. 01224-10001 PG 050	

COPYRIGHT © 2007 BURNS & MCDONNELL ENGINEERING COMPANY, INC.



ISSUED FOR CONSTRUCTION

DOCKET No. 272



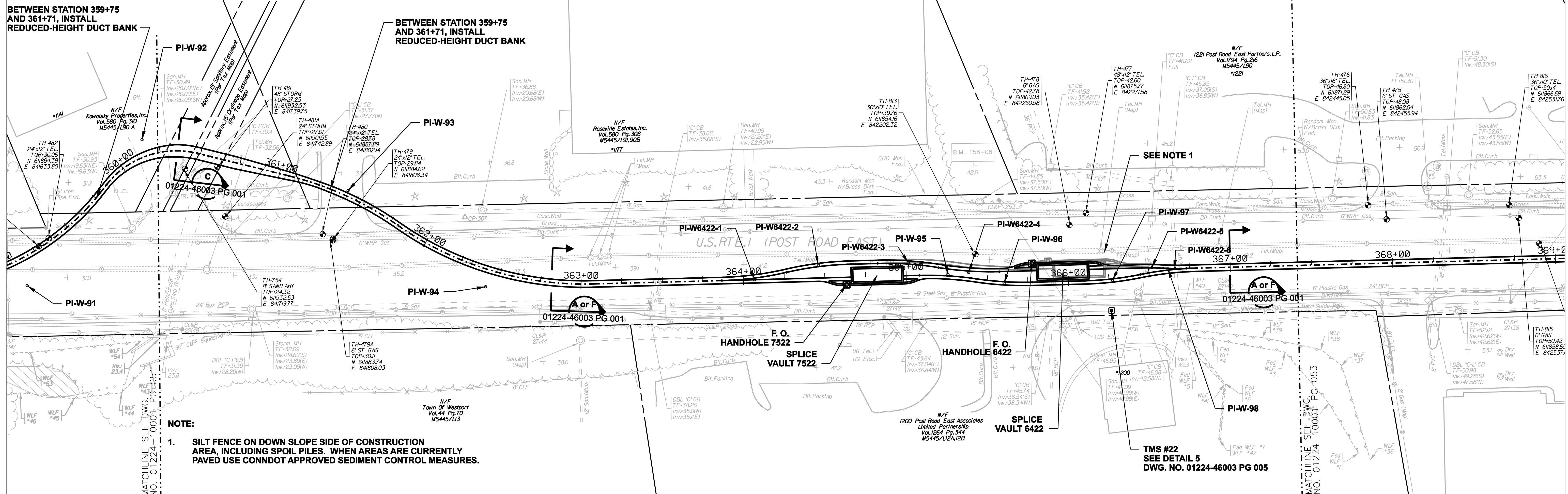
date 11/10/05
 detailed L. ROWSE
 designed C. COURTRIGHT
 checked S. NEWLAND

no.	date	revisions	by	chk
1	5/10/07	ISSUED CSC REVISED		CTC

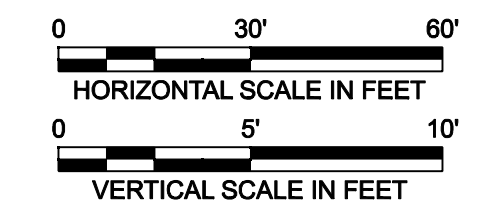
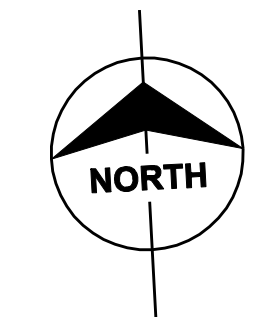
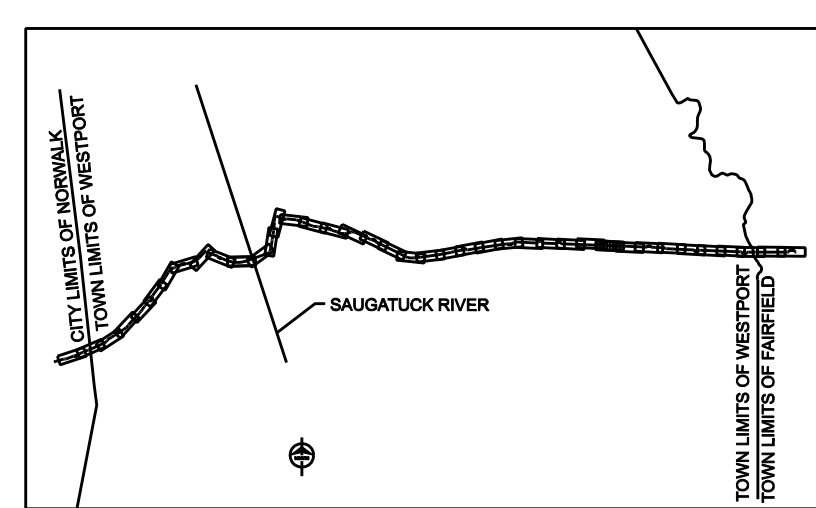
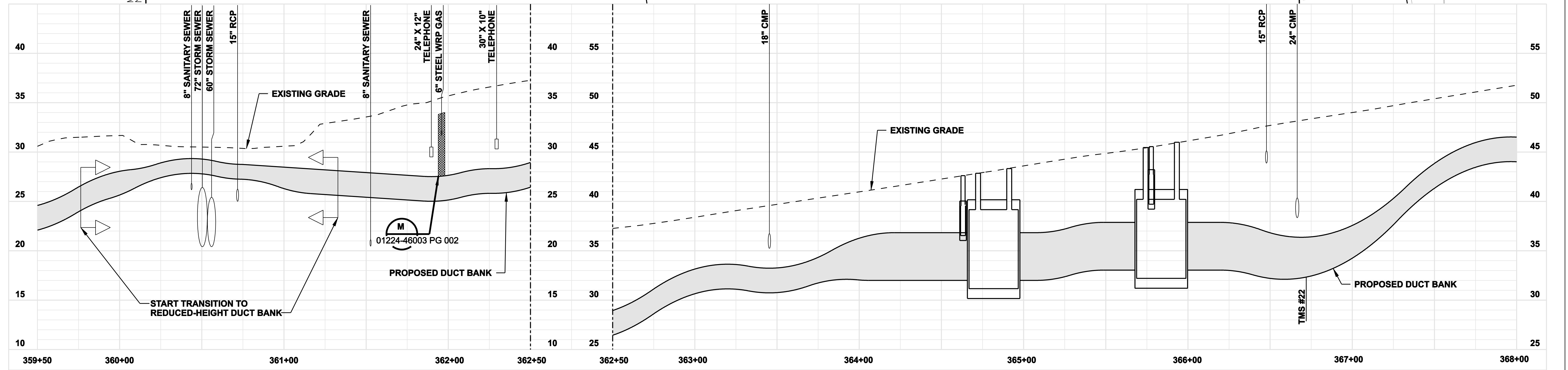
MF	NO.	DATE	REVISIONS	BY	CHK	APP	APP

NORTHEAST UTILITIES SERVICE CO.			
FOR THE CONNECTICUT LIGHT & POWER COMPANY			
TITLE MIDDLETOWN-NORWALK 345KV TRANSMISSION PROJECT			
TOWN OF WESTPORT PLAN AND PROFILE Sta. 351+50 to 360+50			
BY SEN-BMCD	CHKD	APP	APP
DATE 11-10-05	DATE	DATE	DATE
SCALE AS NOTED	DWG. NO. 01224-10001 PG 051		

COPYRIGHT © 2007 BURNS & MCDONNELL ENGINEERING COMPANY, INC.



NOTE:
 1. SILT FENCE ON DOWN SLOPE SIDE OF CONSTRUCTION AREA, INCLUDING SPOIL PILES. WHEN AREAS ARE CURRENTLY PAVED USE CONNDOT APPROVED SEDIMENT CONTROL MEASURES.



ISSUED FOR CONSTRUCTION

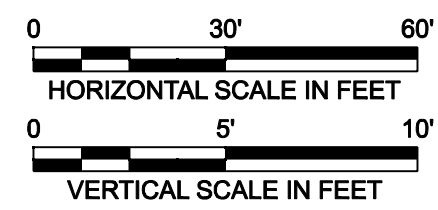
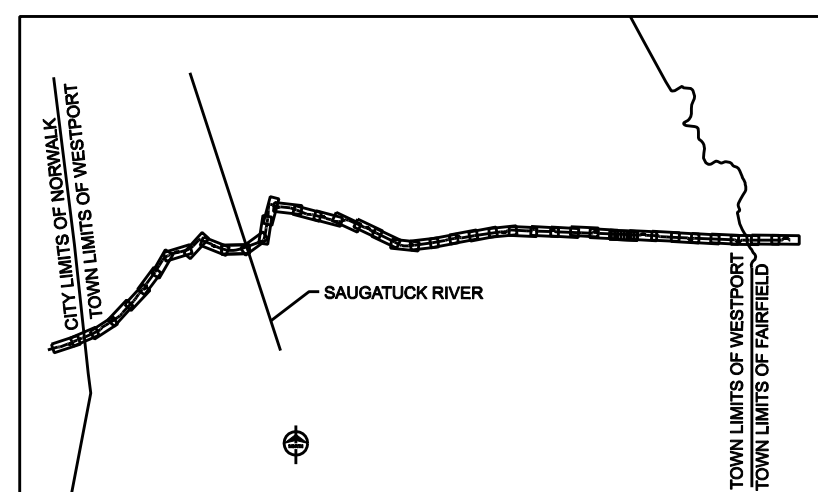
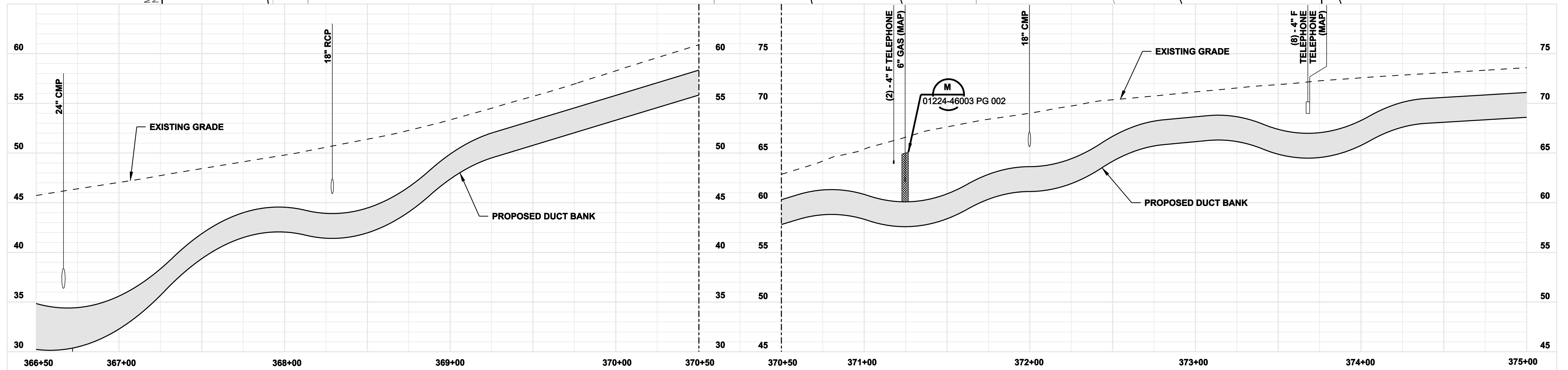
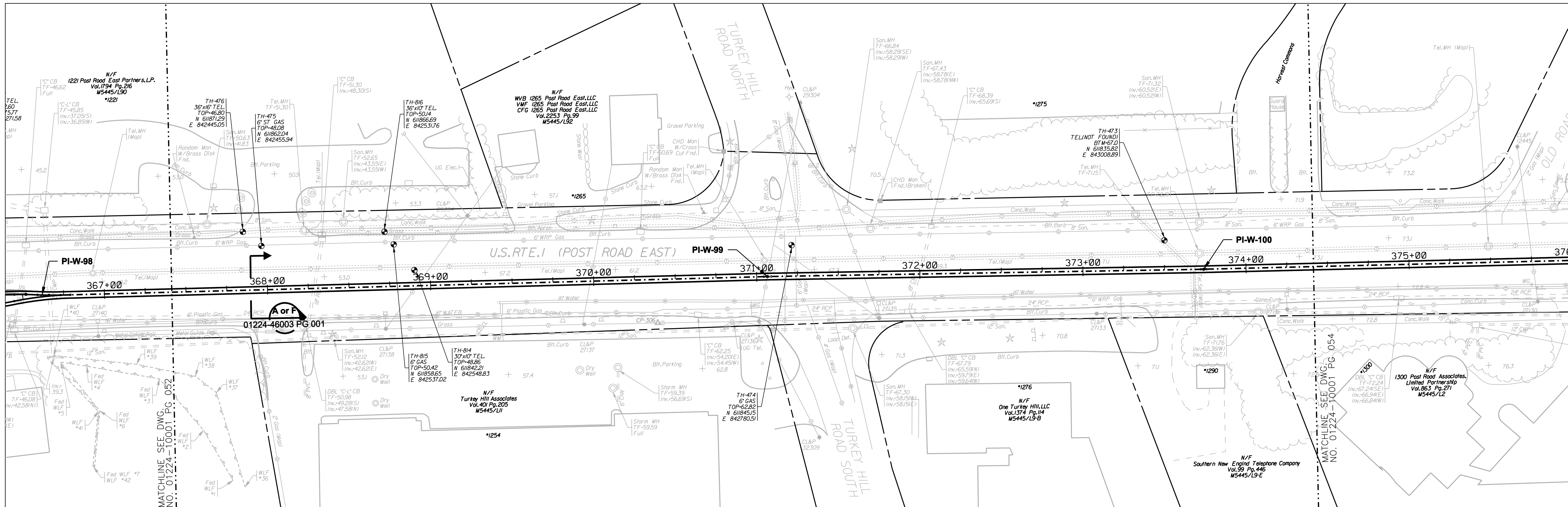
DOCKET No. 272



				FOR				NORTHEAST UTILITIES SERVICE CO.			
				BY				THE CONNECTICUT LIGHT & POWER COMPANY			
				TITLE				MIDDLETOWN-NORWALK 345KV TRANSMISSION PROJECT			
				DATE				TOWN OF WESTPORT			
				SCALE				PLAN AND PROFILE Sta. 359+50 to 368+00			
				DATE				BY SEN-BMCD			
				SCALE				CHKD			
				DATE				APP			
				SCALE				DATE			
				DATE				DATE			
				SCALE				DWG. NO.			
				DATE				01224-10001 PG 052			

COPYRIGHT © 2007 BURNS & MCDONNELL ENGINEERING COMPANY, INC.

COPYRIGHT © 2007 BURNS & MCDONNELL ENGINEERING COMPANY, INC.



**ISSUED FOR
CONSTRUCTION**

DOCKET No. 272



date 11/10/05
designed C. COURTRIGHT
detailed L. ROWSE
checked S. NEWLAND

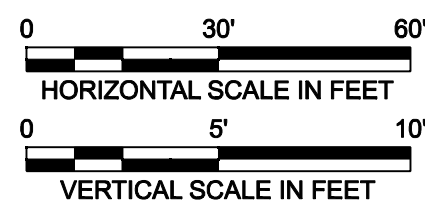
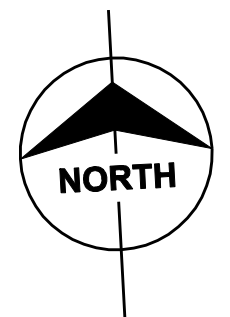
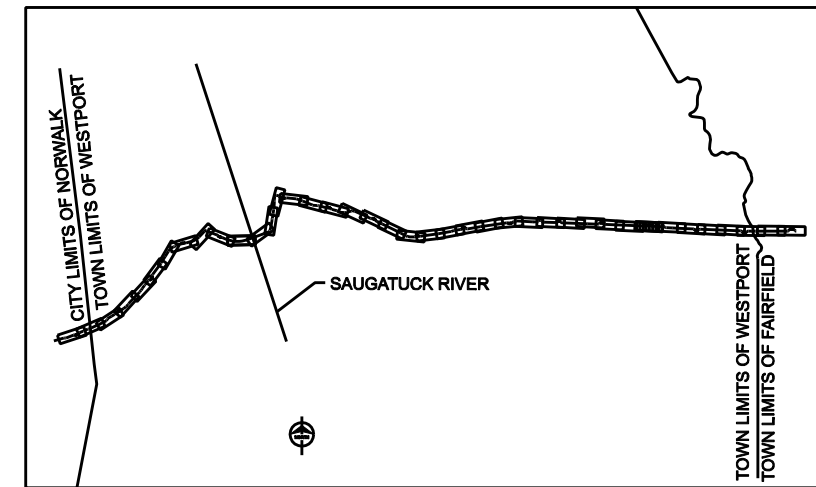
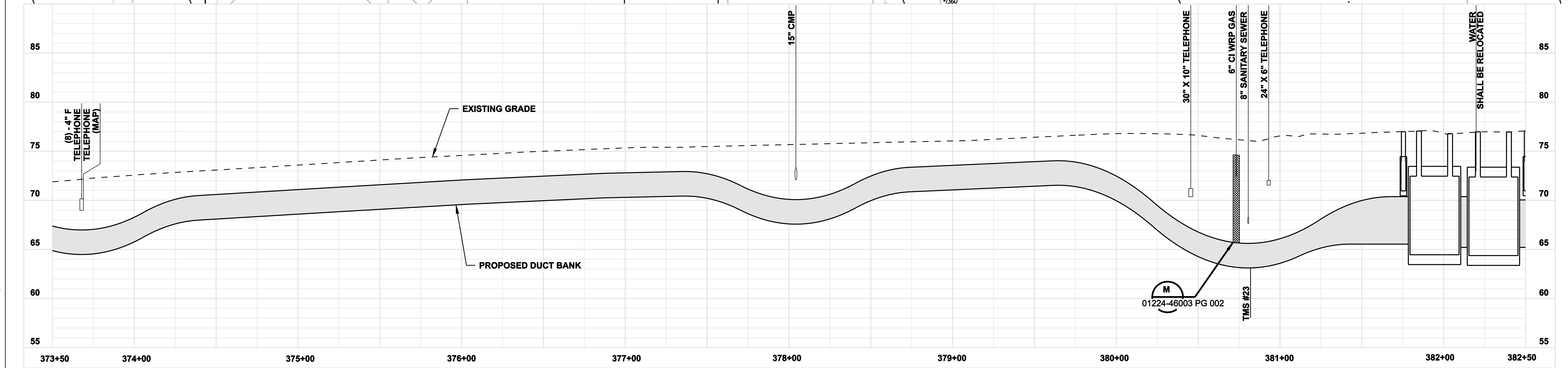
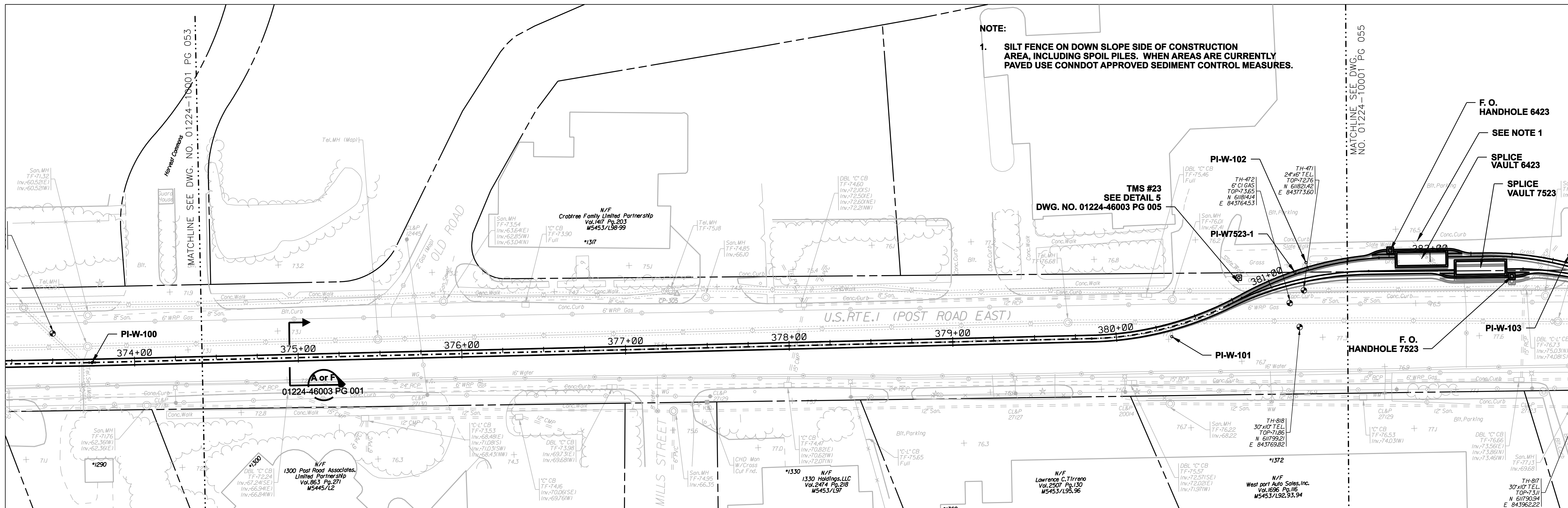
no.	date	revisions	by	chk
1	5/10/07	ISSUED CSC REVISED		CTC

MF	NO.	DATE	REVISIONS	BY	CHK	APP	APP

NORTHEAST UTILITIES SERVICE CO.

FOR	THE CONNECTICUT LIGHT & POWER COMPANY		
TITLE	MIDDLETOWN-NORWALK 345KV TRANSMISSION PROJECT		
	TOWN OF WESTPORT PLAN AND PROFILE Sta. 366+50 to 375+00		
BY SEN-BMCD	CHKD	APP	APP
DATE 11-10-05	DATE	DATE	DATE
SCALE AS NOTED	D	DWG. NO.	01224-10001 PG 053

COPYRIGHT © 2007 BURNS & McDONNELL ENGINEERING COMPANY, INC.



ISSUED FOR CONSTRUCTION

DOCKET No. 272

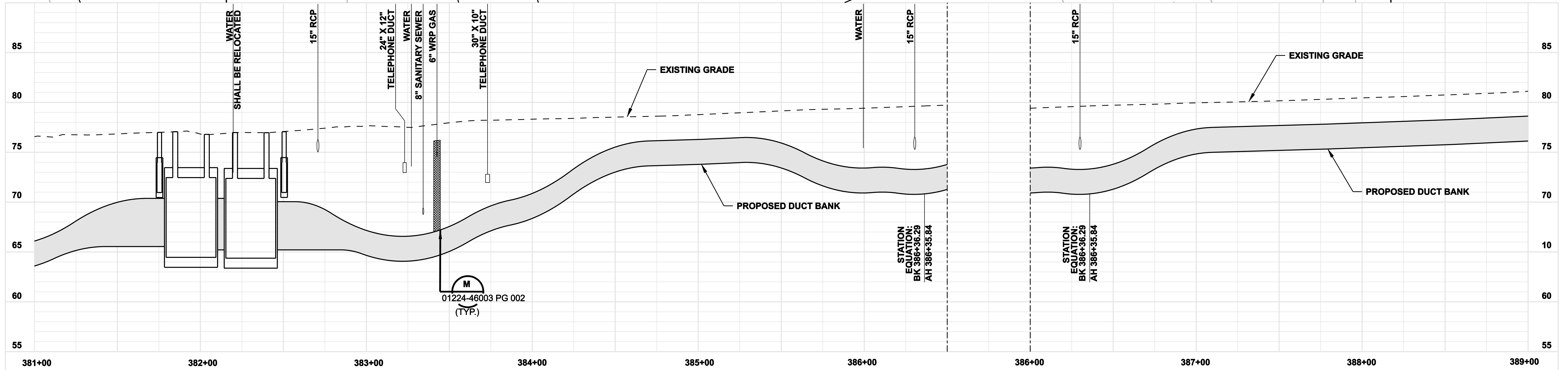
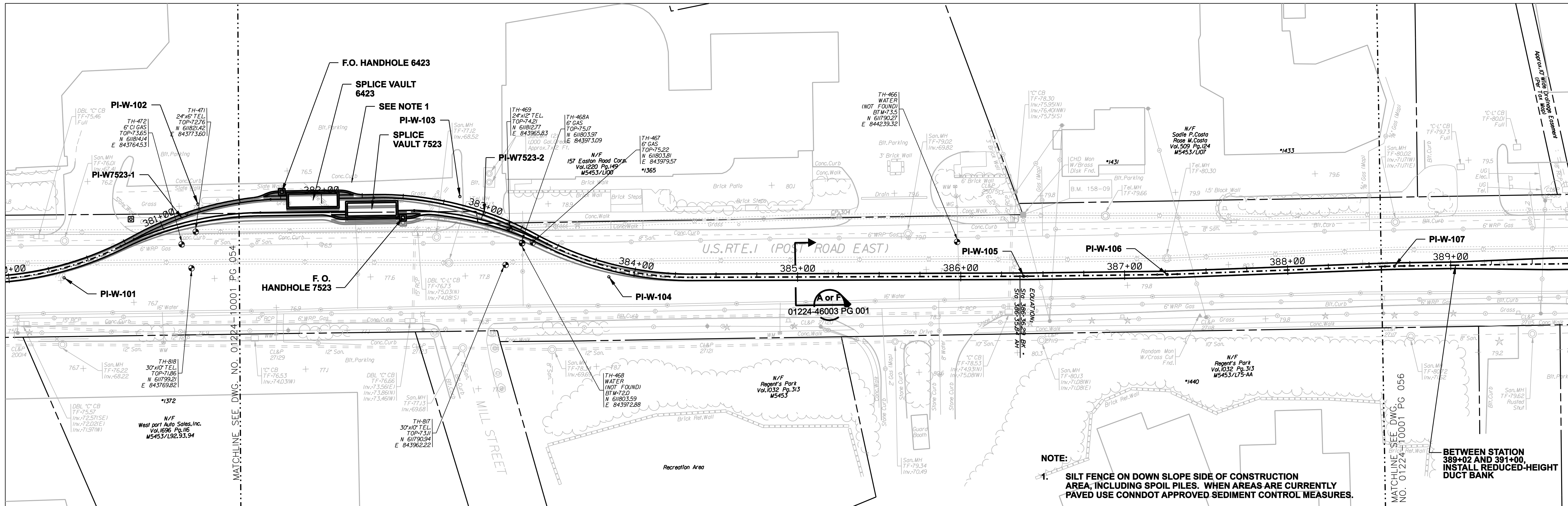


date 11/10/05
 designed C. COURTRIGHT
 detailed L. ROWSE
 checked S. NEWLAND

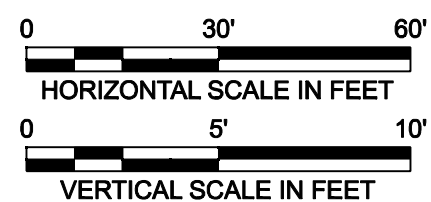
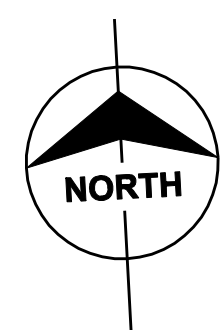
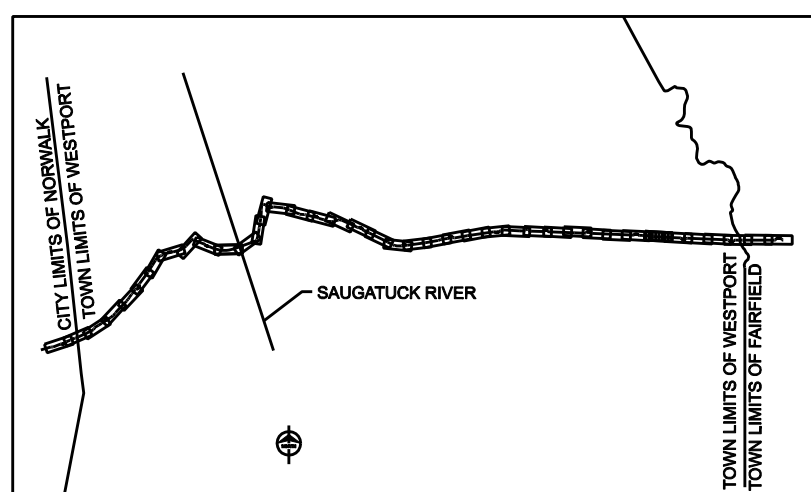
no.	date	revisions	by	chk
1	5/10/07	ISSUED CSC REVISED	CTC	

MF	NO.	DATE	REVISIONS	BY	CHK	APP	APP

NORTHEAST UTILITIES SERVICE CO.			
FOR THE CONNECTICUT LIGHT & POWER COMPANY			
TITLE MIDDLETOWN-NORWALK 345KV TRANSMISSION PROJECT			
TOWN OF WESTPORT PLAN AND PROFILE Sta. 373+50 to 382+50			
BY SEN-BMCD	CHKD	APP	APP
DATE 11-10-05	DATE	DATE	DATE
SCALE AS NOTED	DWG. NO. 01224-10001 PG 054		



COPYRIGHT © 2007 BURNS & MCDONNELL ENGINEERING COMPANY, INC.



ISSUED FOR CONSTRUCTION

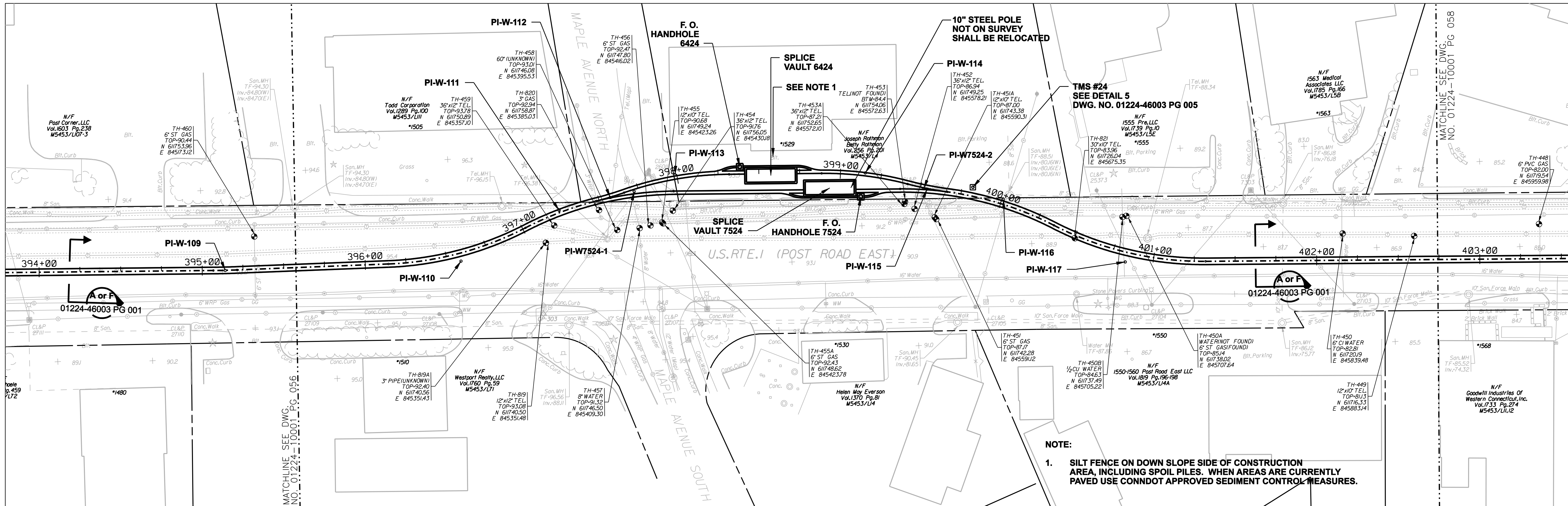
DOCKET No. 272

no.	date	revisions	by	chk
1	5/10/07	ISSUED CSC REVISED		CTC

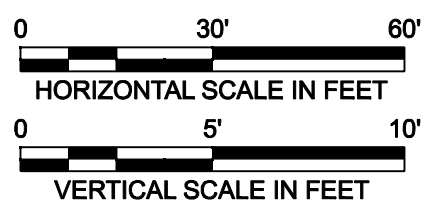
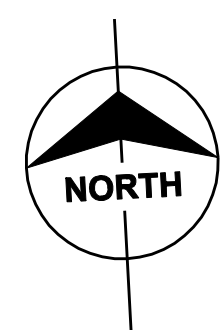
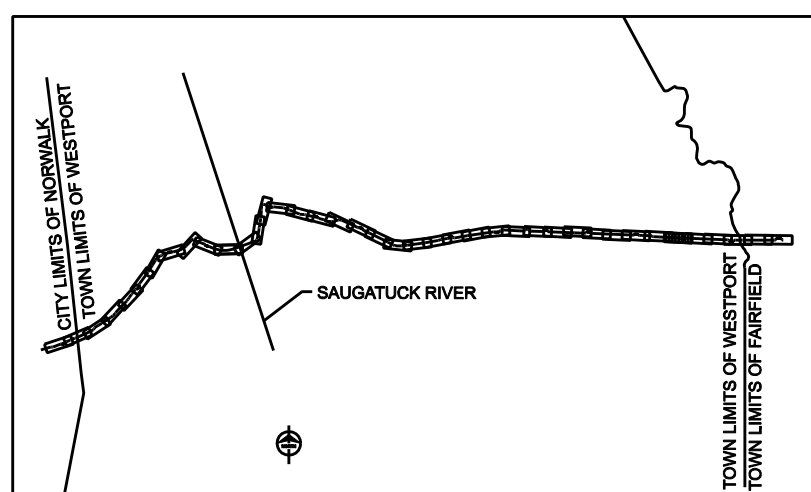
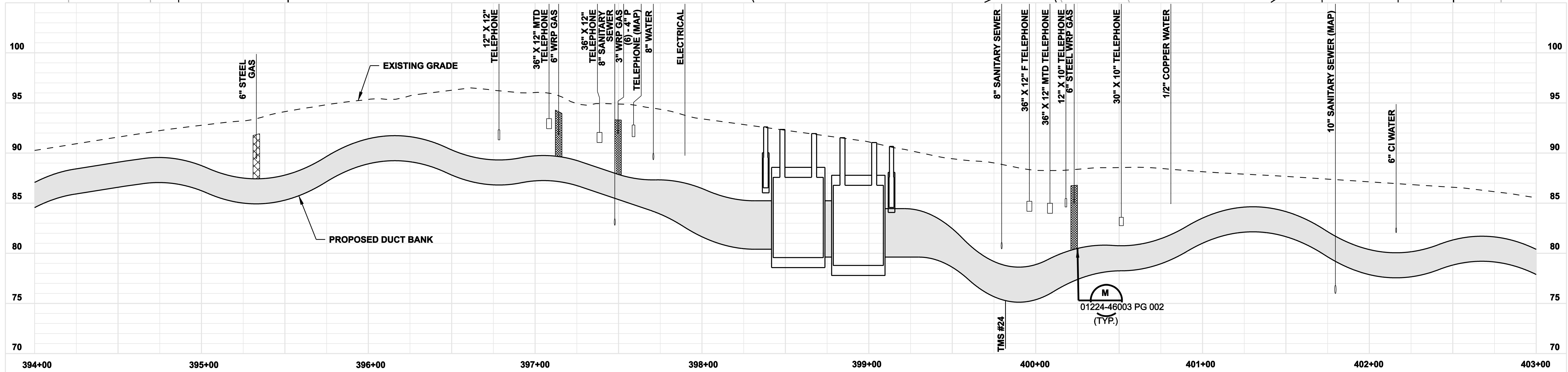
date	11/10/05	detailed	L. ROWSE
designed	C. COURTRIGHT	checked	S. NEWLAND

MF	NO.	DATE	REVISIONS	BY	CHK	APP	APP

NORTHEAST UTILITIES SERVICE CO.			
FOR THE CONNECTICUT LIGHT & POWER COMPANY			
TITLE MIDDLETOWN-NORWALK 345KV TRANSMISSION PROJECT			
TOWN OF WESTPORT PLAN AND PROFILE Sta. 381+00 to 389+00			
BY SEN-BMCD	CHKD	APP	APP
DATE 11-10-05	DATE	DATE	DATE
SCALE AS NOTED	DWG. NO.		01224-10001 PG 055



NOTE:
 1. SILT FENCE ON DOWN SLOPE SIDE OF CONSTRUCTION AREA, INCLUDING SPOIL PILES. WHEN AREAS ARE CURRENTLY PAVED USE CONNDOT APPROVED SEDIMENT CONTROL MEASURES.



ISSUED FOR CONSTRUCTION

DOCKET No. 272



date 11/10/05
 detailed L. ROWSE
 designed C. COURTRIGHT
 checked S. NEWLAND

no.	date	revisions	by	chk
1	5/10/07	ISSUED CSC REVISED	CTC	

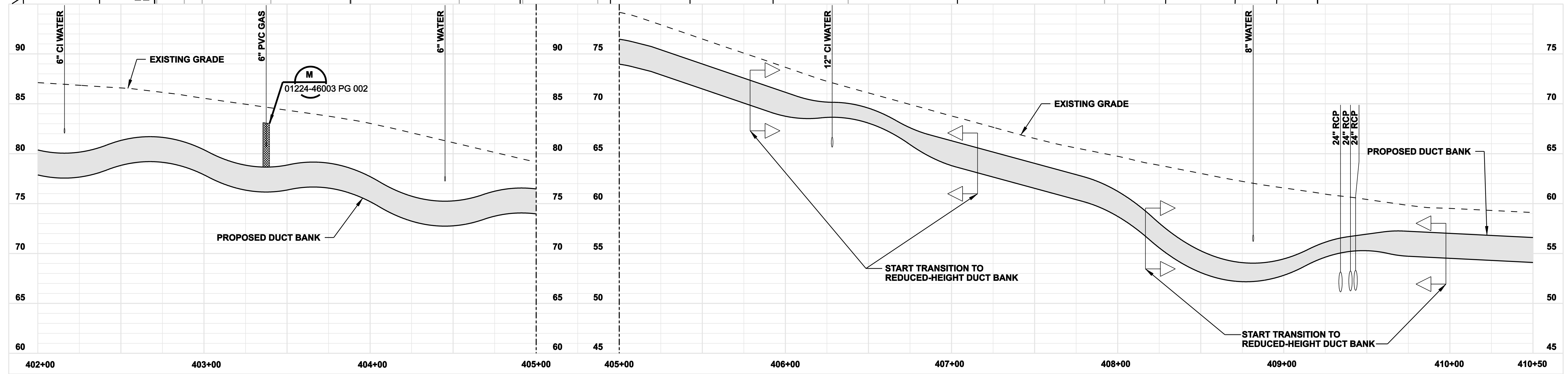
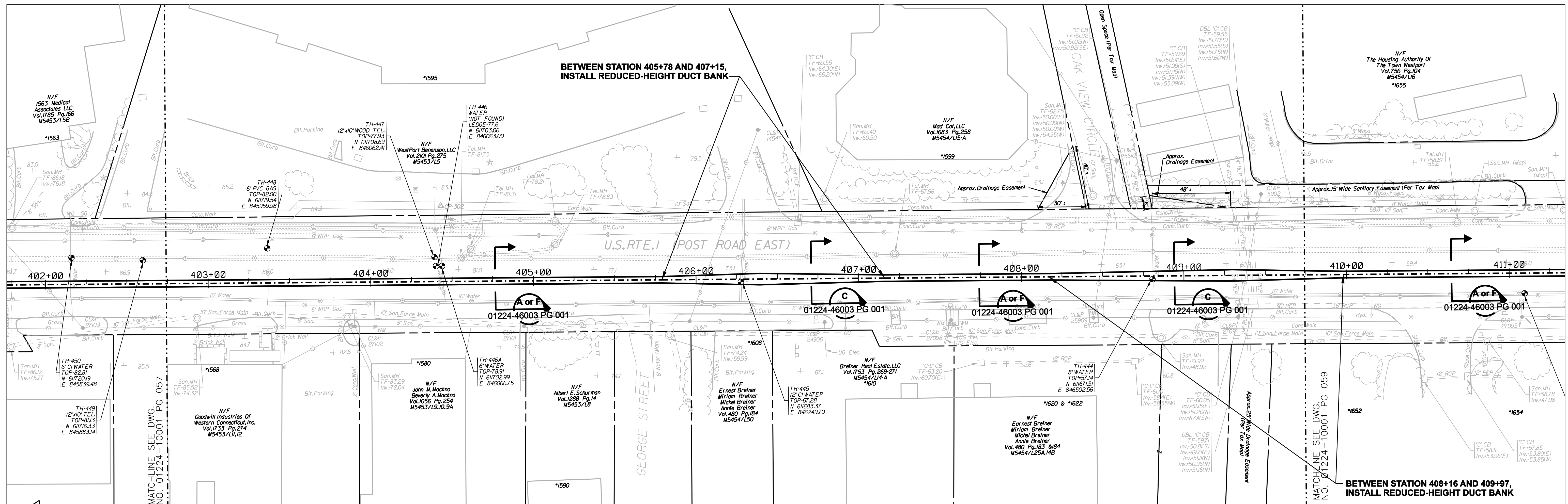
MF	NO.	DATE	REVISIONS	BY	CHK	APP	APP

NORTHEAST UTILITIES SERVICE CO.

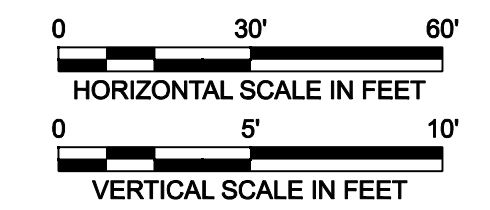
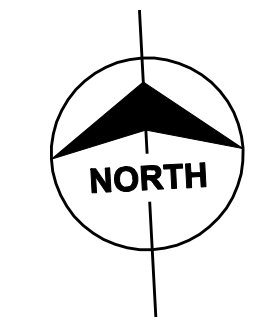
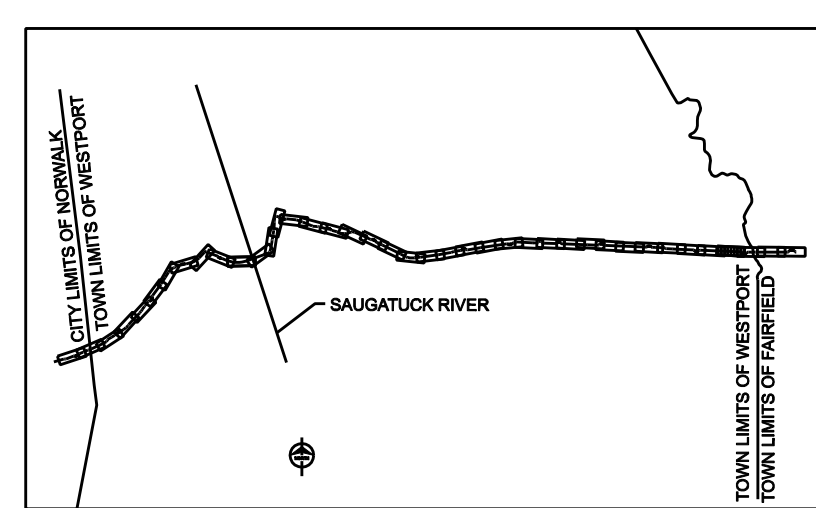
FOR	THE CONNECTICUT LIGHT & POWER COMPANY		
TITLE	MIDDLETOWN-NORWALK 345KV TRANSMISSION PROJECT		
TOWN OF WESTPORT PLAN AND PROFILE Sta. 394+00 to 403+00			
BY SEN-BMCD	CHKD	APP	APP
DATE 11-10-05	DATE	DATE	DATE
SCALE AS NOTED	D	DWG. NO.	01224-10001 PG 057

BETWEEN STATION 405+78 AND 407+15,
INSTALL REDUCED-HEIGHT DUCT BANK

BETWEEN STATION 408+16 AND 409+97,
INSTALL REDUCED-HEIGHT DUCT BANK



COPYRIGHT © 2007 BURNS & MCDONNELL ENGINEERING COMPANY, INC.



**ISSUED FOR
CONSTRUCTION**

DOCKET No. 272

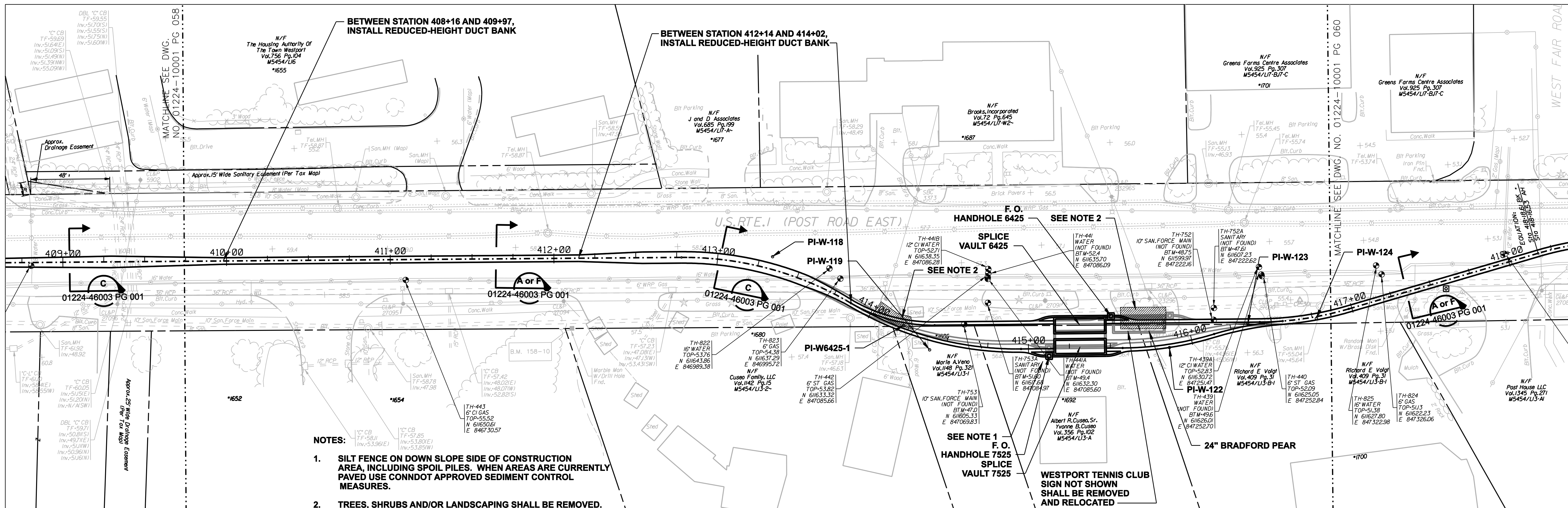


date 11/10/05
designed C. COURTRIGHT
detailed L. ROWSE
checked S. NEWLAND

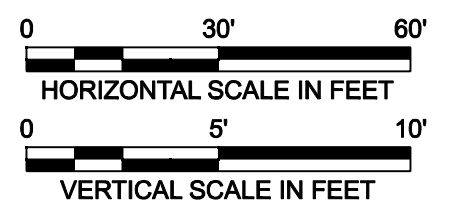
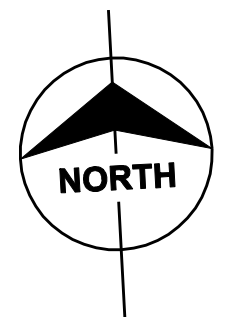
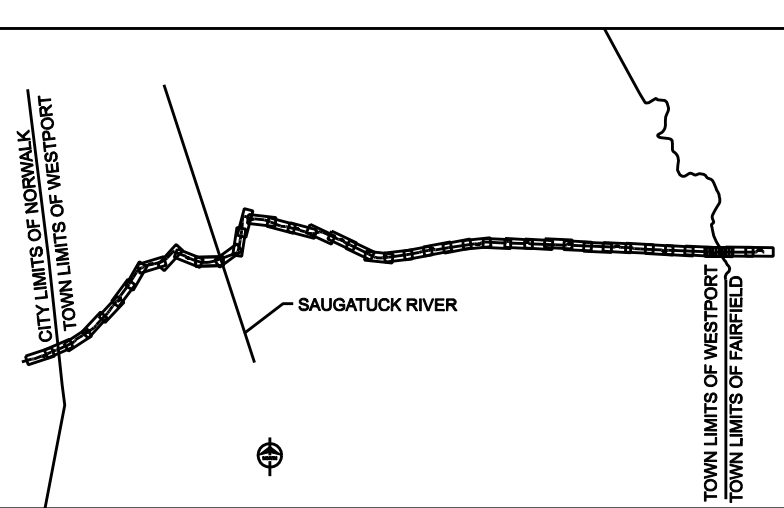
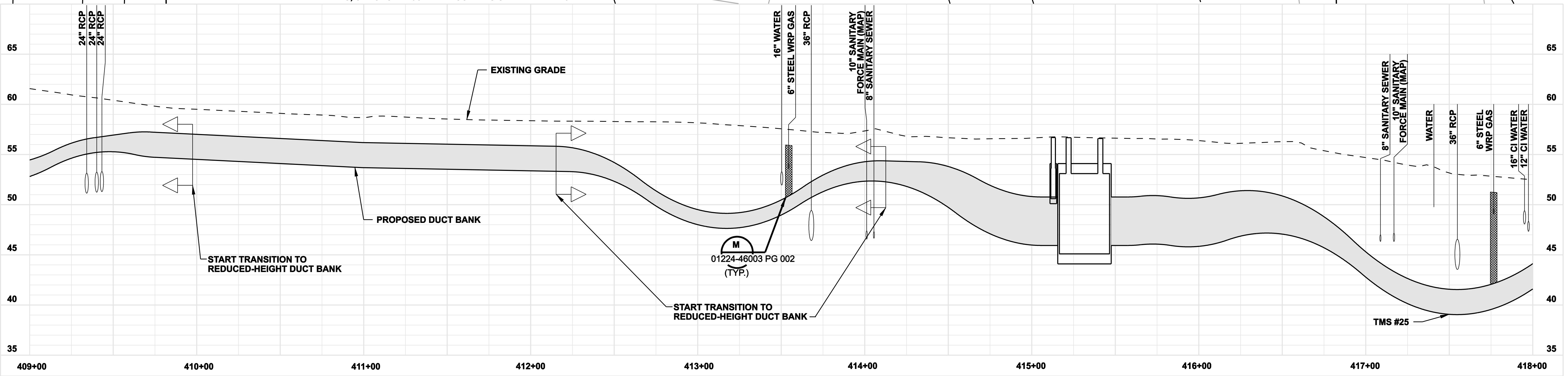
no.	date	revisions	by	chk
1	5/10/07	ISSUED CSC REVISED	CTC	

MF	NO.	DATE	REVISIONS	BY	CHK	APP	APP

NORTHEAST UTILITIES SERVICE CO.			
FOR THE CONNECTICUT LIGHT & POWER COMPANY			
TITLE MIDDLETOWN-NORWALK 345KV TRANSMISSION PROJECT			
TOWN OF WESTPORT PLAN AND PROFILE Sta. 402+00 to 410+50			
BY SEN-BMCD	CHKD	APP	APP
DATE 11-10-05	DATE	DATE	DATE
SCALE AS NOTED	DWG. NO.		
	D		01224-10001 PG 058



- NOTES:**
1. SILT FENCE ON DOWN SLOPE SIDE OF CONSTRUCTION AREA, INCLUDING SPOIL PILES. WHEN AREAS ARE CURRENTLY PAVED USE CONDOT APPROVED SEDIMENT CONTROL MEASURES.
 2. TREES, SHRUBS AND/OR LANDSCAPING SHALL BE REMOVED.



ISSUED FOR CONSTRUCTION

DOCKET No. 272



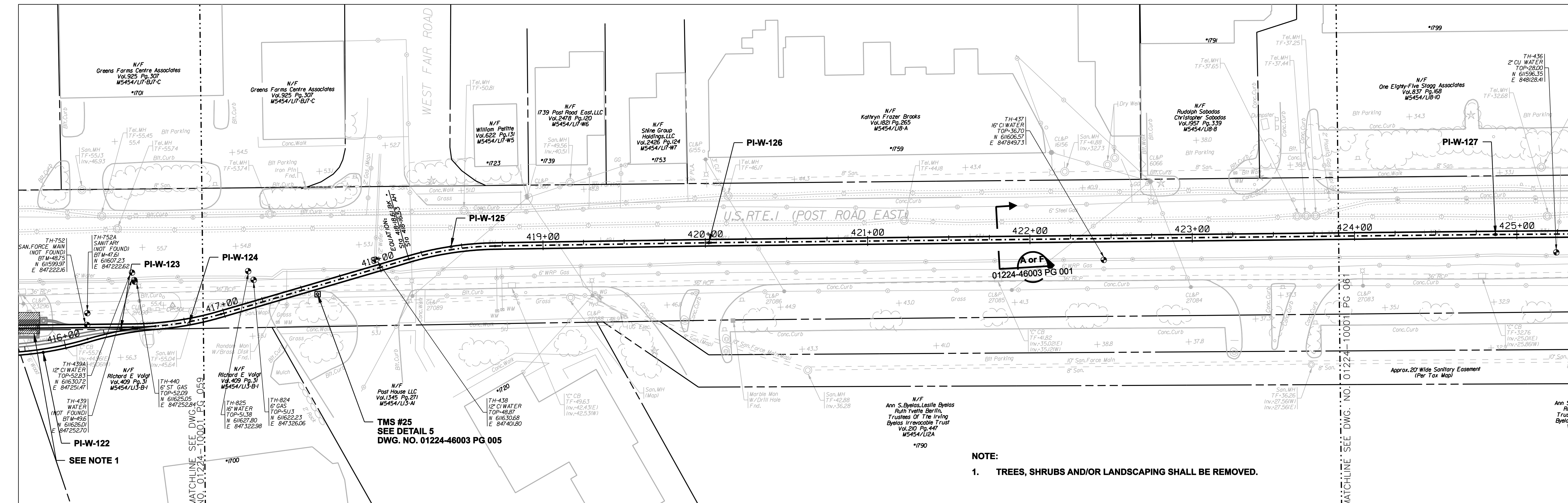
date 11/10/05
 detailed L. ROWSE
 designed C. COURTRIGHT
 checked S. NEWLAND

no.	date	revisions	by	chk
1	5/10/07	ISSUED CSC REVISED	CTC	

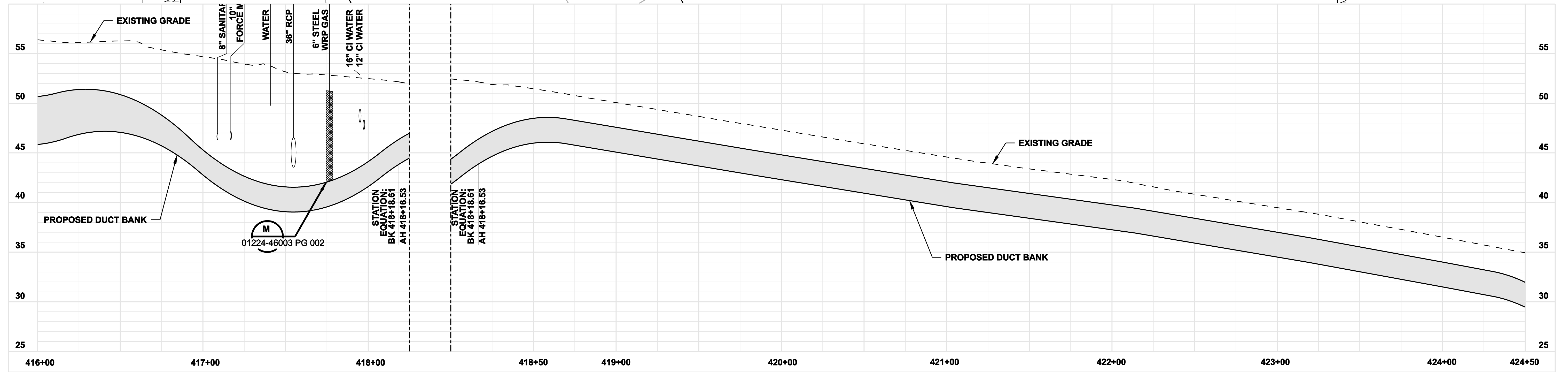
MF	NO.	DATE	REVISIONS	BY	CHK	APP	APP

NORTHEAST UTILITIES SERVICE CO.			
FOR THE CONNECTICUT LIGHT & POWER COMPANY			
TITLE MIDDLETOWN-NORWALK 345KV TRANSMISSION PROJECT			
TOWN OF WESTPORT PLAN AND PROFILE Sta. 409+00 to 418+00			
BY SEN-BMCD	CHKD	APP	APP
DATE 11-10-05	DATE	DATE	DATE
SCALE AS NOTED	DWG. NO. 01224-10001 PG 059		

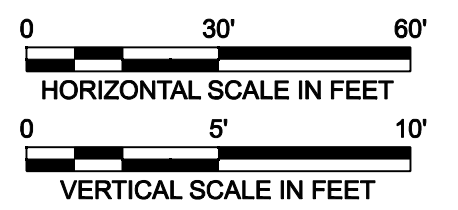
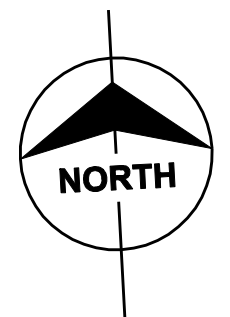
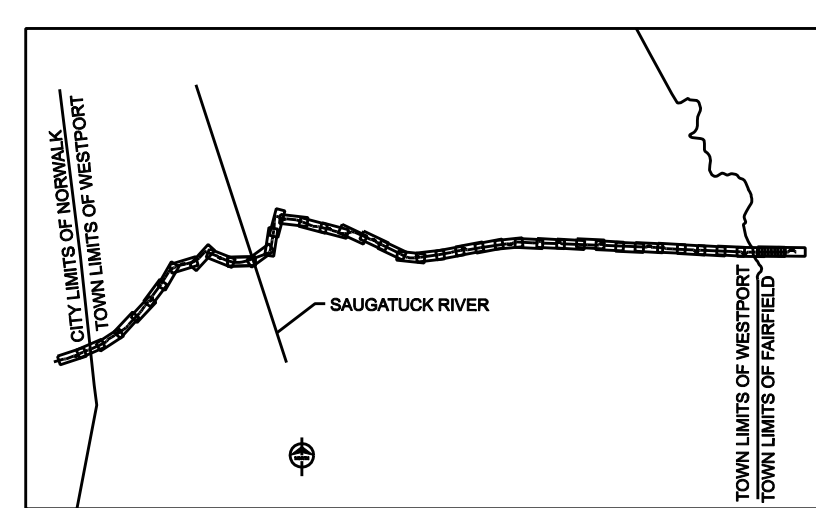
COPYRIGHT © 2007 BURNS & MCDONNELL ENGINEERING COMPANY, INC.



NOTE:
 1. TREES, SHRUBS AND/OR LANDSCAPING SHALL BE REMOVED.



COPYRIGHT © 2007 BURNS & MCDONNELL ENGINEERING COMPANY, INC.



ISSUED FOR CONSTRUCTION

DOCKET No. 272

no.	date	revisions	by	chk
1	5/10/07	ISSUED CSC REVISED		CTC

Burns & McDonnell
SINCE 1898

date: 11/10/05
 designed: C. COURTRIGHT
 detailed: L. ROWSE
 checked: S. NEWLAND

MF	NO.	DATE	REVISIONS	BY	CHK	APP	APP

NORTHEAST UTILITIES SERVICE CO.

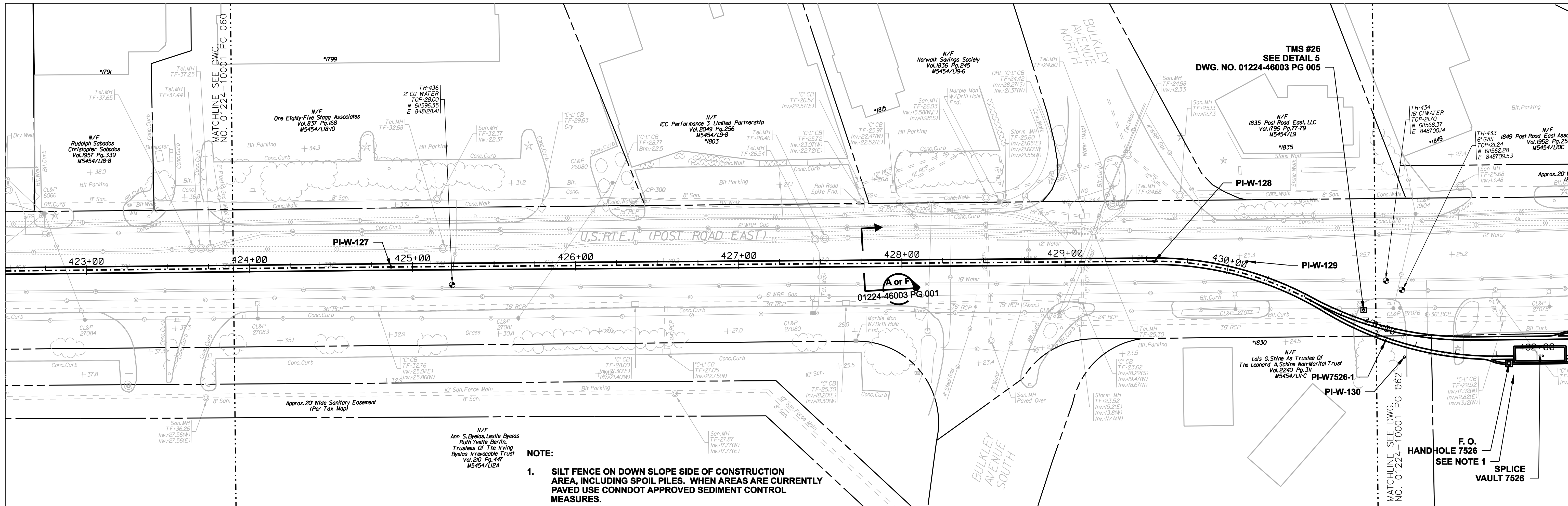
FOR THE CONNECTICUT LIGHT & POWER COMPANY

TITLE: MIDDLETOWN-NORWALK 345KV TRANSMISSION PROJECT

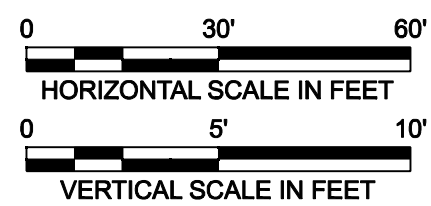
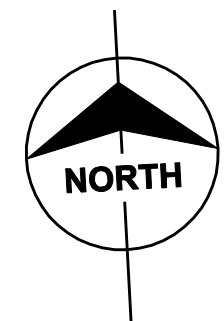
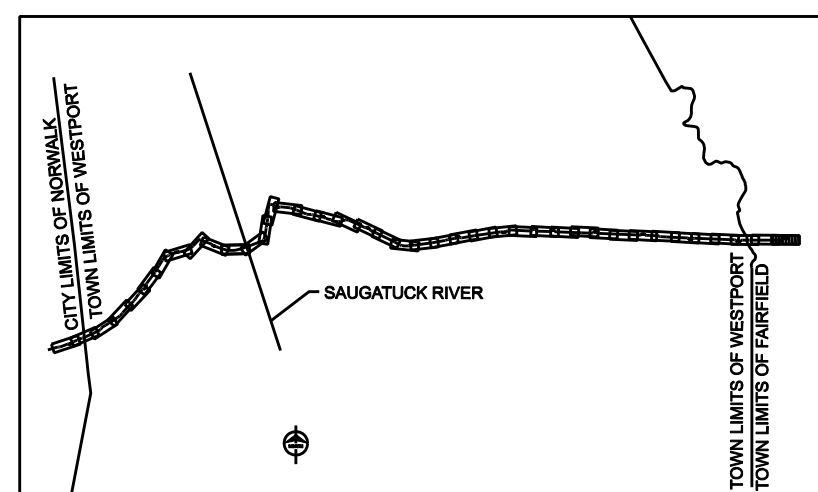
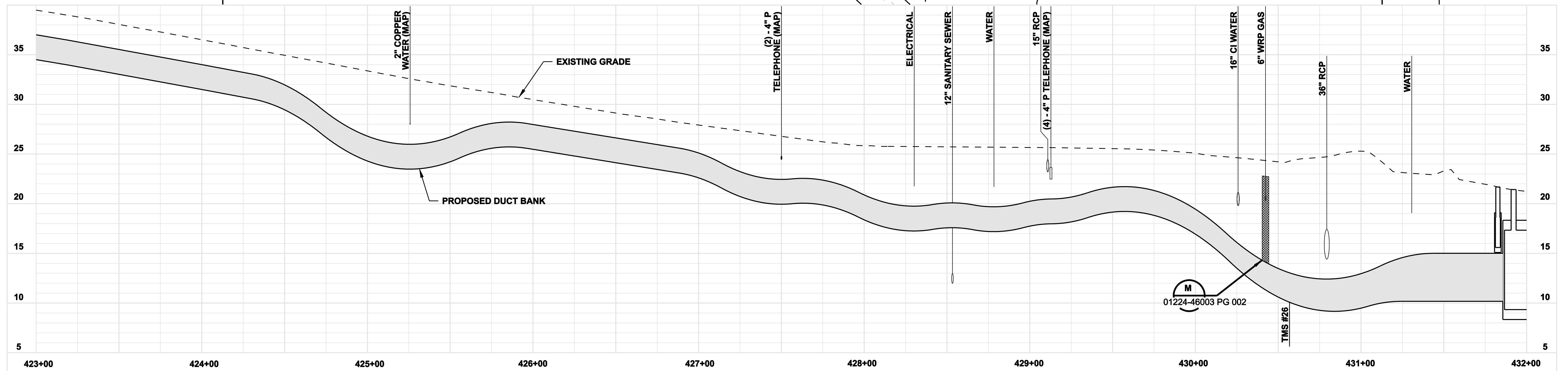
TOWN OF WESTPORT
 PLAN AND PROFILE Sta. 416+00 to 424+50

BY SEN-BMCD CHKD APP APP
 DATE 11-10-05 DATE DATE DATE
 SCALE AS NOTED DWG. NO. 01224-10001 PG 060

COPYRIGHT © 2007 BURNS & MCDONNELL ENGINEERING COMPANY, INC.



NOTE:
 1. SILT FENCE ON DOWN SLOPE SIDE OF CONSTRUCTION AREA, INCLUDING SPOIL PILES. WHEN AREAS ARE CURRENTLY PAVED USE CONDOT APPROVED SEDIMENT CONTROL MEASURES.



ISSUED FOR CONSTRUCTION

DOCKET No. 272



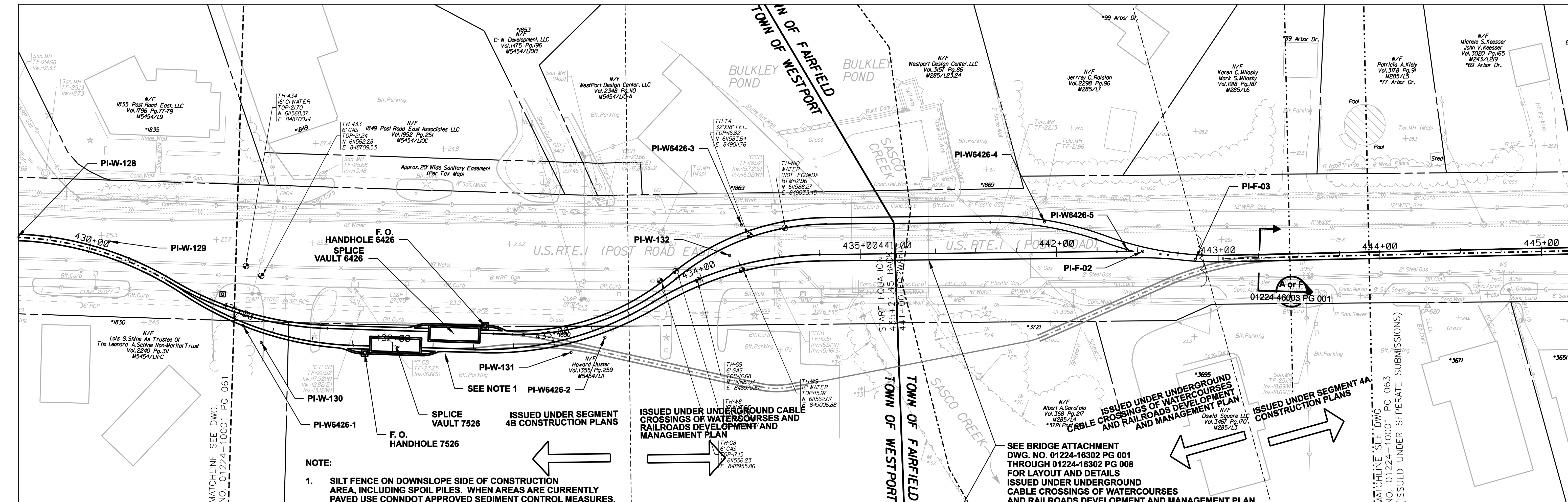
date 11/10/05
 detailed L. ROWSE
 designed C. COURTRIGHT
 checked S. NEWLAND

no.	date	revisions	by	chk
1	5/10/07	ISSUED CSC REVISED	CTC	

MF	NO.	DATE	REVISIONS	BY	CHK	APP	APP

NORTHEAST UTILITIES SERVICE CO.

FOR	THE CONNECTICUT LIGHT & POWER COMPANY		
TITLE	MIDDLETOWN-NORWALK 345KV TRANSMISSION PROJECT		
	TOWN OF WESTPORT PLAN AND PROFILE Sta. 423+00 to 432+00		
BY SEN-BMCD	CHKD	APP	APP
DATE 11-10-05	DATE	DATE	DATE
SCALE AS NOTED		DWG. NO.	01224-10001 PG 061



NOTE:
 1. SILT FENCE ON DOWNSLOPE SIDE OF CONSTRUCTION AREA, INCLUDING SPOIL PILES. WHEN AREAS ARE CURRENTLY PAVED USE CONDOT APPROVED SEDIMENT CONTROL MEASURES.

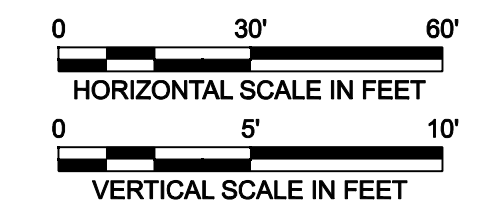
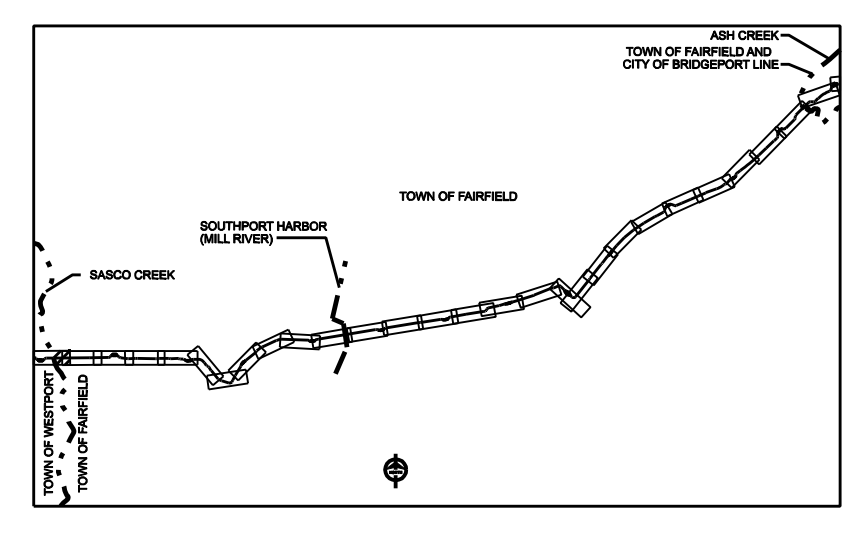
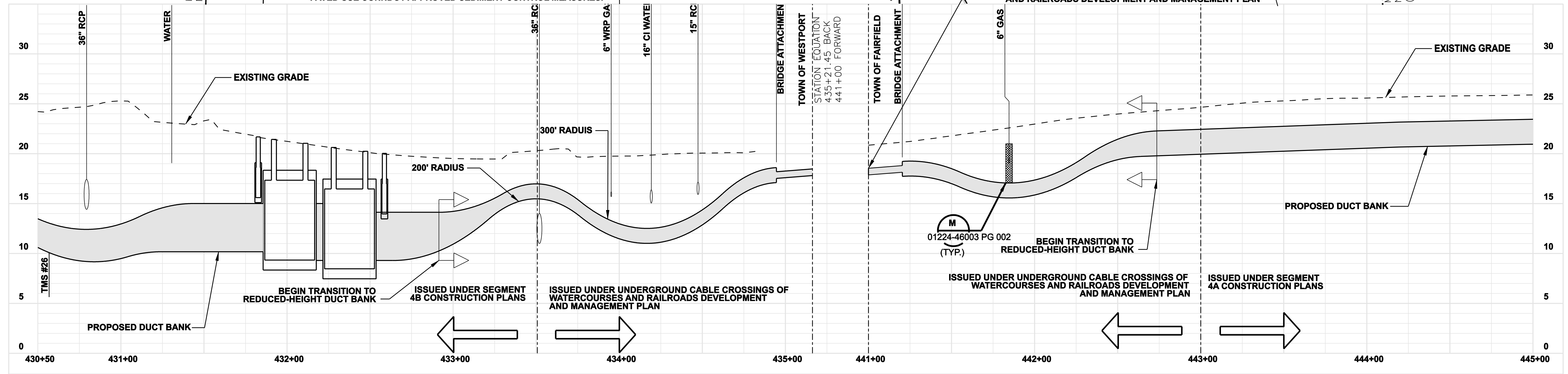
ISSUED UNDER SEGMENT 4B CONSTRUCTION PLANS

ISSUED UNDER UNDERGROUND CABLE CROSSINGS OF WATERCOURSES AND RAILROADS DEVELOPMENT AND MANAGEMENT PLAN

SEE BRIDGE ATTACHMENT DWG. NO. 01224-16302 PG 001 THROUGH 01224-16302 PG 008 FOR LAYOUT AND DETAILS

ISSUED UNDER UNDERGROUND CABLE CROSSINGS OF WATERCOURSES AND RAILROADS DEVELOPMENT AND MANAGEMENT PLAN

ISSUED UNDER SEGMENT 4A CONSTRUCTION PLANS



ISSUED FOR CONSTRUCTION

DOCKET No. 272



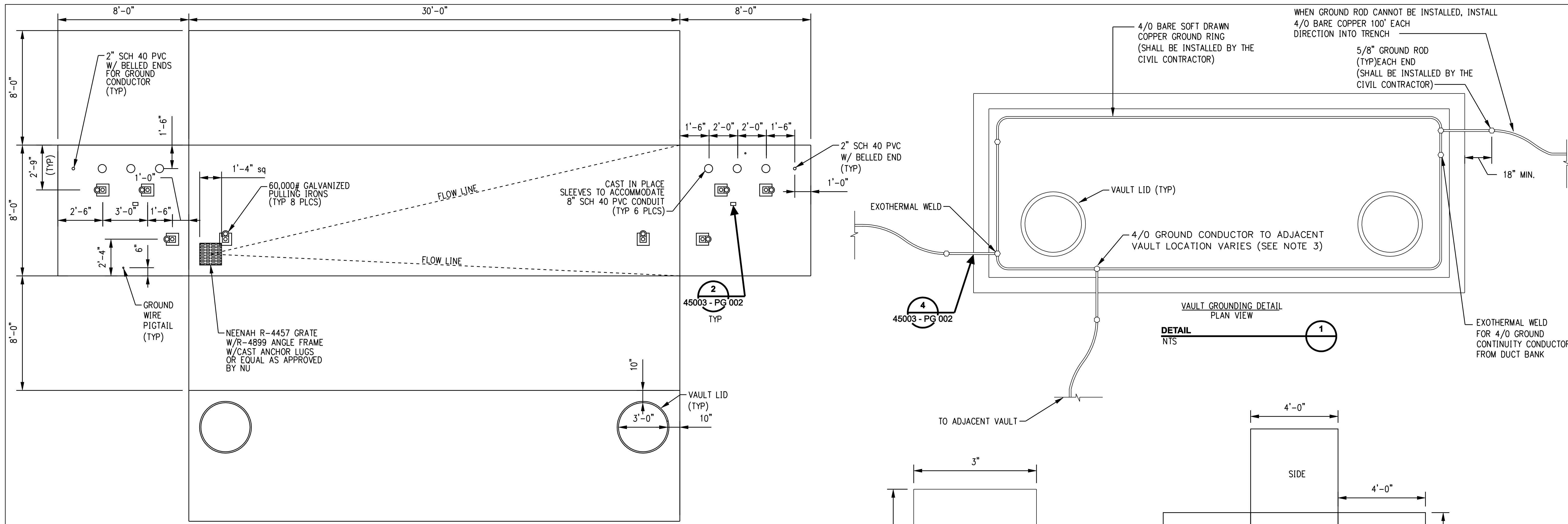
date 08/15/05
 detailed L. ROWSE
 designed C. COURTRIGHT
 checked S. NEWLAND

no.	date	revisions	by	chk
1	5/10/07	ISSUED CSC REVISED		CTC

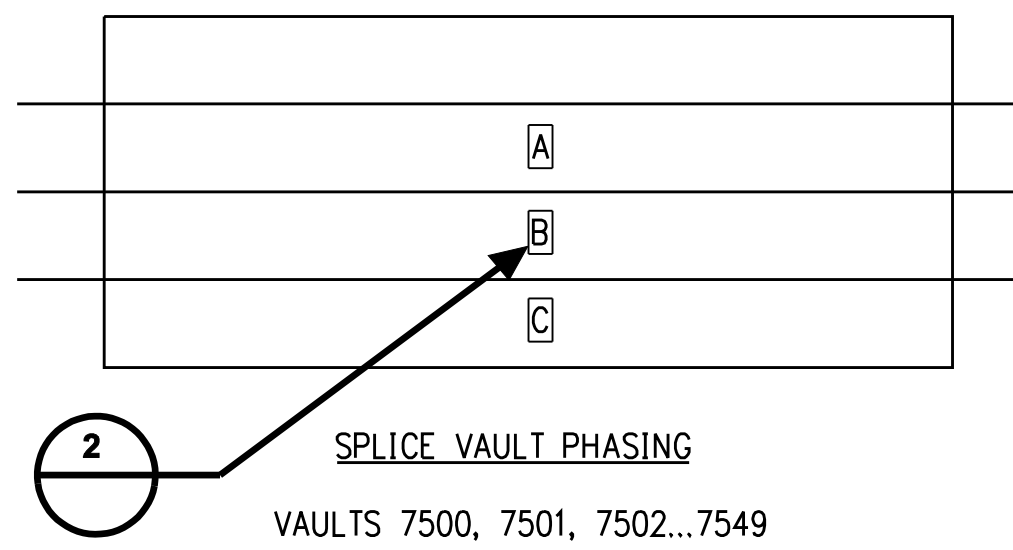
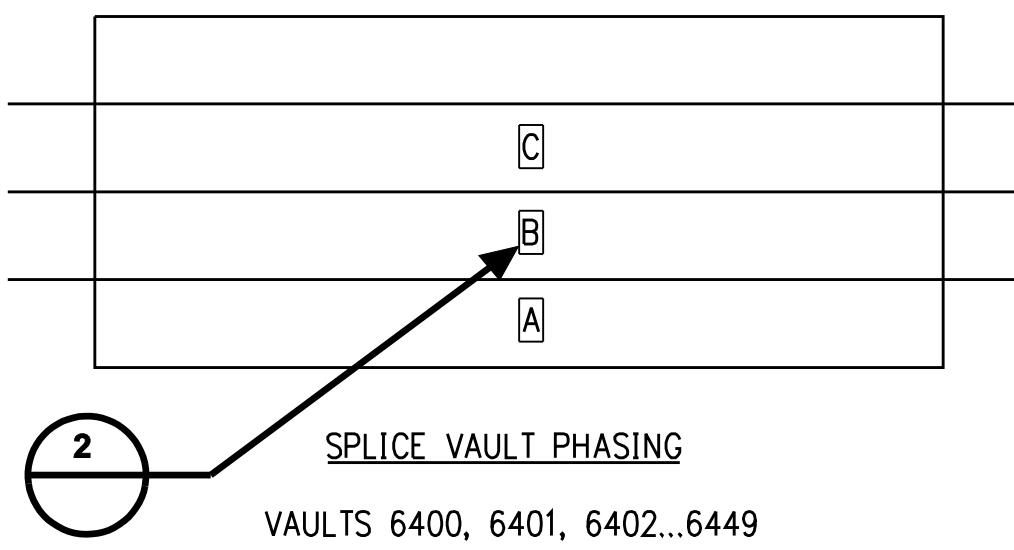
MF	NO.	DATE	REVISIONS	BY	CHK	APP	APP

NORTHEAST UTILITIES SERVICE CO.			
FOR THE CONNECTICUT LIGHT & POWER COMPANY			
TITLE MIDDLETOWN-NORWALK 345KV TRANSMISSION PROJECT			
TOWN OF WESTPORT/TOWN OF FAIRFIELD PLAN AND PROFILE Sta. 430+50 to 445+00			
BY SEN-BMCD	CHKD	APP	APP
DATE 8-15-05	DATE	DATE	DATE
SCALE AS NOTED		DWG. NO.	
	D	01224-10001 PG 062	

COPYRIGHT © 2007 BURNS & MCDONNELL ENGINEERING COMPANY, INC.



TYPICAL SPLICE VAULT DEVELOPMENT PLAN
DETAIL
 NTS



- NOTES:
1. CHARACTER SHALL BE 4" HIGH BOLD TYPE.
 2. CHARACTER SHALL BE CENTERED ON SIGN.
 3. BACKGROUND: WHITE
LETTERING: BLACK
CHARACTERS: A, B & C AS SHOWN
 4. ELECTRICAL CONTRACTOR SHALL ATTACH TAG TO SPLICE.

DETAIL
 NTS

TYPICAL FIBER OPTIC HANDHOLE DEVELOPMENT PLAN
DETAIL
 NTS

- NOTES:
1. GROUND PIGTAILS TO EXTEND A MINIMUM OF 18 INCHES FROM BOTH SIDES OF VAULT WALL PENETRATION.
 2. ALL EXTERNAL AREAS OF VAULT SHALL BE SEALED USING SONNEDORN HYDROCID 700 OR APPROVED NU EQUIVALENT.
 3. EACH VAULT SHALL HAVE AN ADDITIONAL 2" SCHEDULE 40 PVC WITH BELLED ENDS CAST IN PLACE TO CONNECT INTERNAL VAULT GROUNDING AND COMPLETE CONNECTION WITH EXOTHERMAL WELD.

DETAIL
 NTS

COPYRIGHT © 2007 BURNS & MCDONNELL ENGINEERING COMPANY, INC.

DOCKET No. 272

ISSUED FOR
CONSTRUCTION

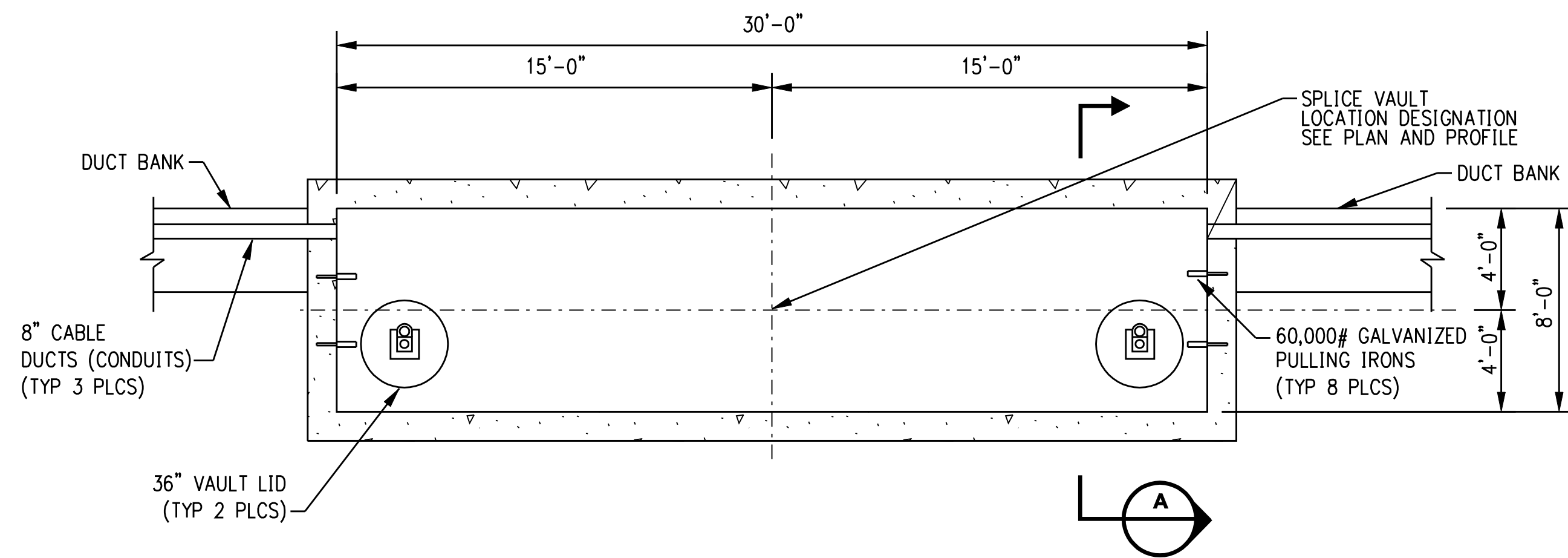


date 11/09/05 detailed L. ROWSE
 designed C. COURTRIGHT checked S. NEWLAND

no.	date	revisions	by	chk
1	5/10/07	ISSUED CSC REVISED	CTC	

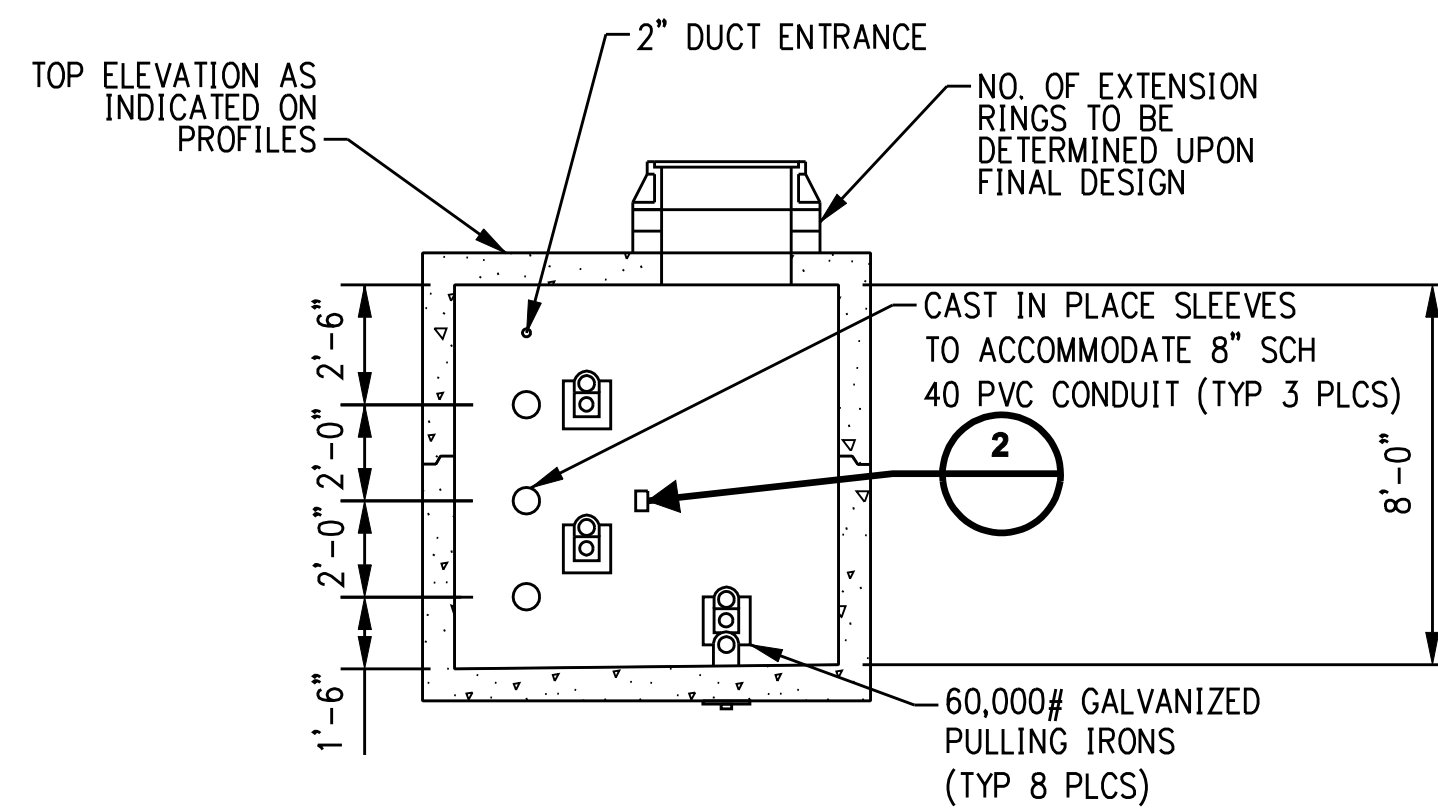
MF	NO.	DATE	REVISIONS	BY	CHK	APP	APP

NORTHEAST UTILITIES SERVICE CO.			
FOR THE CONNECTICUT LIGHT & POWER COMPANY			
TITLE MIDDLETOWN-NORWALK 345KV TRANSMISSION PROJECT			
VAULT, GROUNDING AND HANDHOLE DETAILS			
BY SEN-BMCD	CHKD	APP	APP
DATE 11-09-05	DATE	DATE	DATE
SCALE AS NOTED	D	DWG. NO.	01224-45003 PG 001

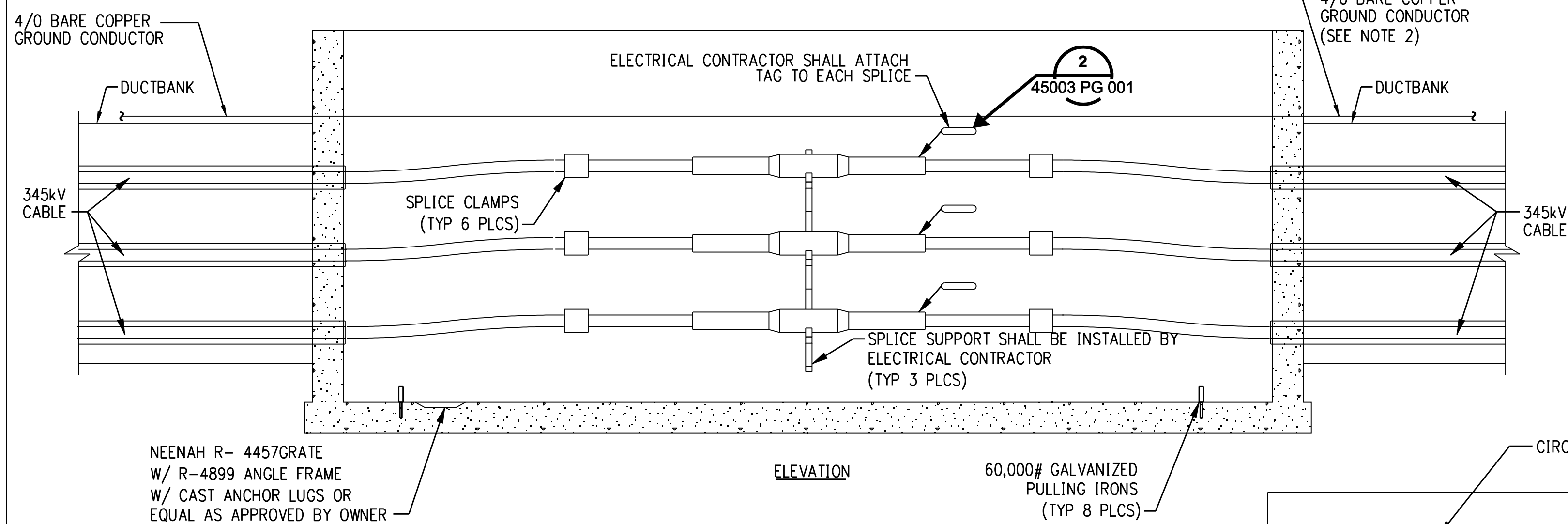


INTERIOR PLAN ELECTRICAL SPLICE VAULT

DETAIL 1
NTS

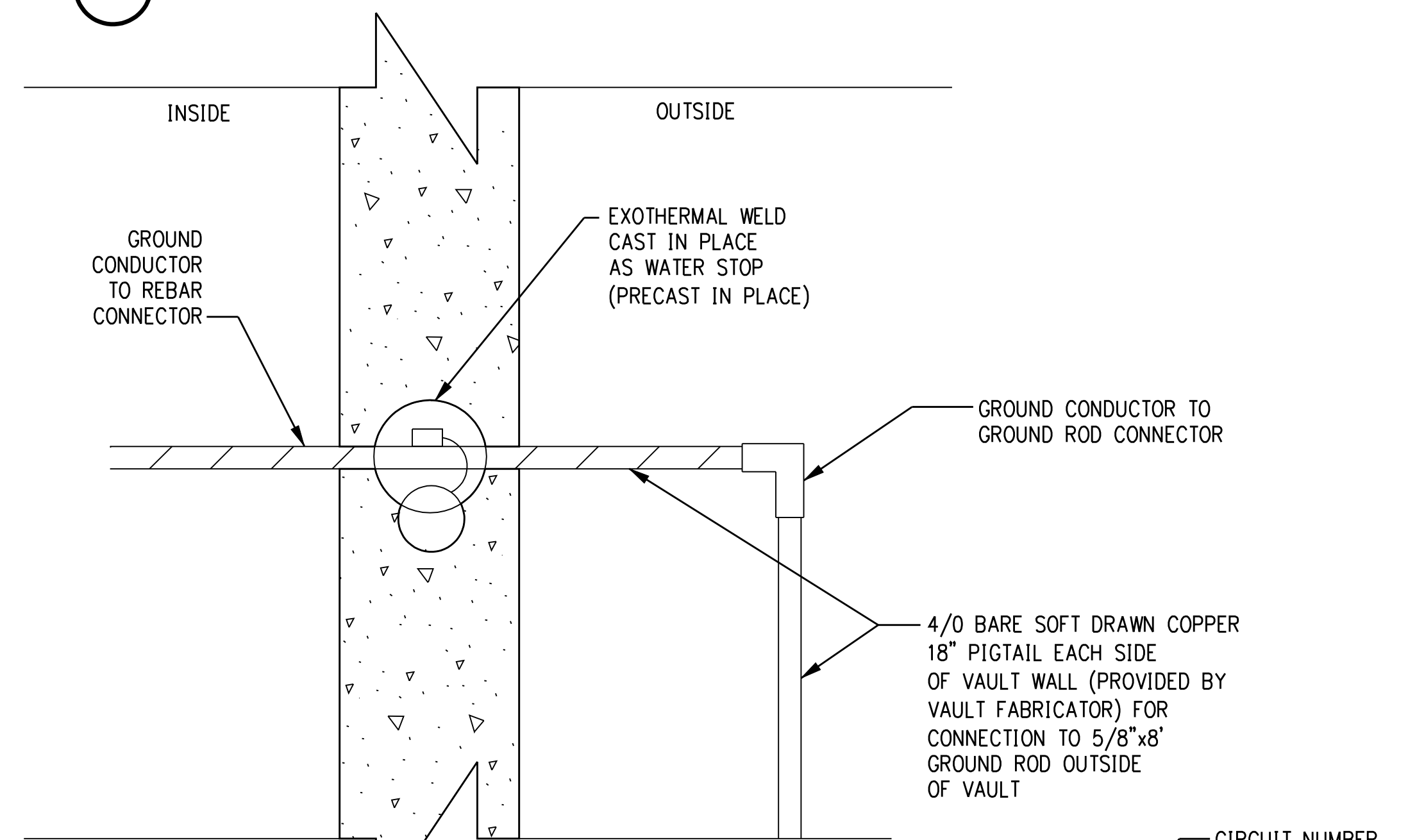


SPLICE VAULT
SECTION A
NTS



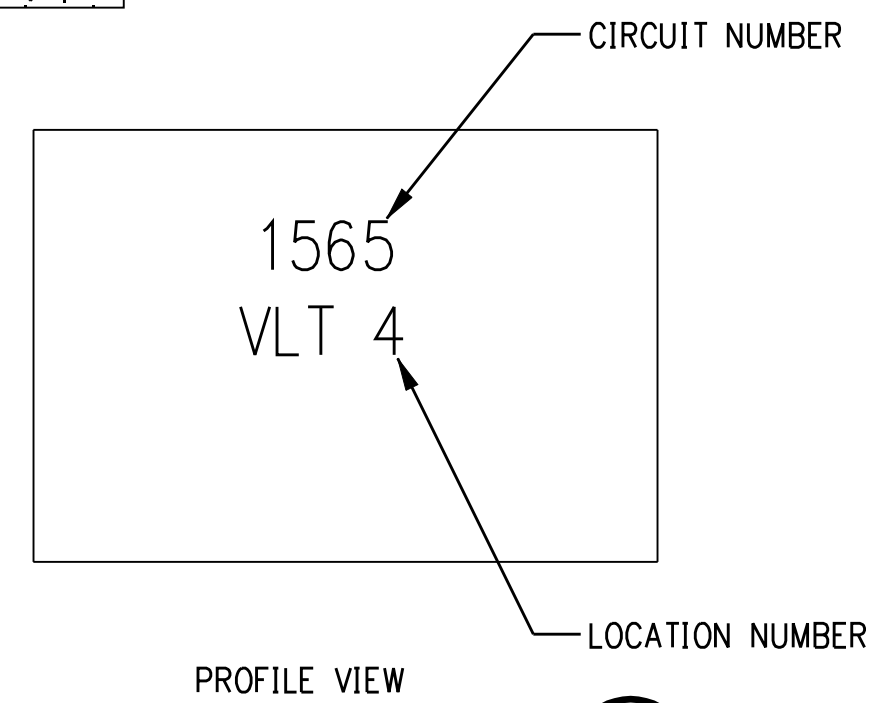
ELEVATION

SPLICE VAULT
DETAIL 3
NTS

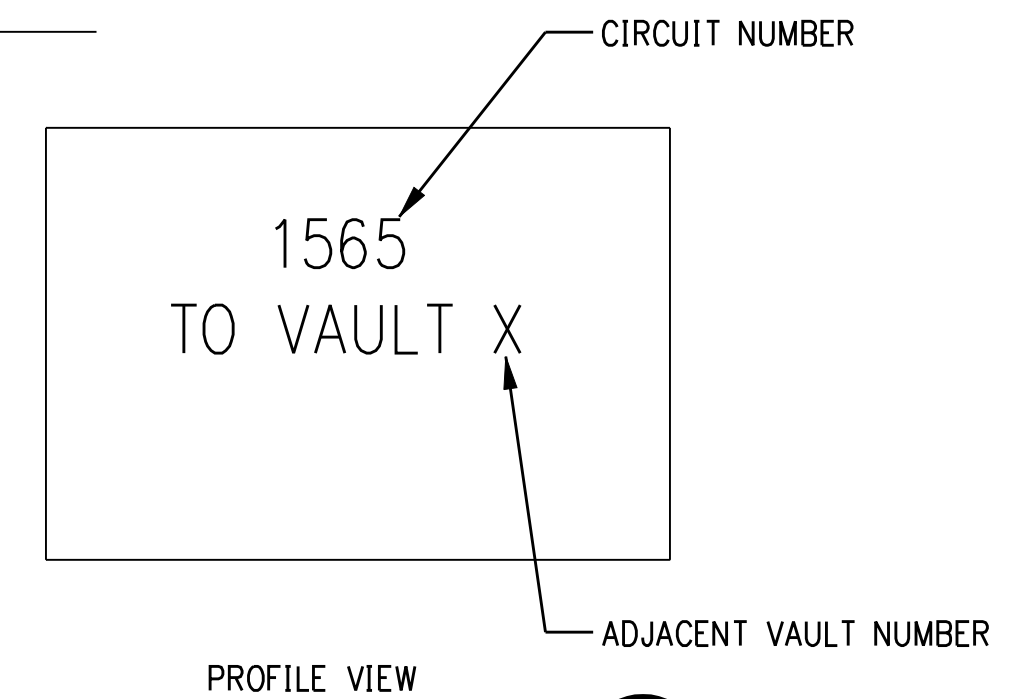


GROUND WIRE DETAIL
PROFILE VIEW

DETAIL 4
NTS



PROFILE VIEW
DETAIL 5
NTS



PROFILE VIEW
DETAIL 2
NTS

NOTES:

- PASS GROUND CONDUCTOR THROUGH VAULT WALL AND SUPPORT ALONG VAULT WALL.
- BOND GROUNDS FROM EARTHING TO VAULT/ DUCTBANK GROUND.

COPYRIGHT © 2007 BURNS & McDONNELL ENGINEERING COMPANY, INC.

DOCKET No. 272

ISSUED FOR
CONSTRUCTION

no.	date	revisions	by	chk
1	5/10/07	ISSUED CSC REVISED	CTC	



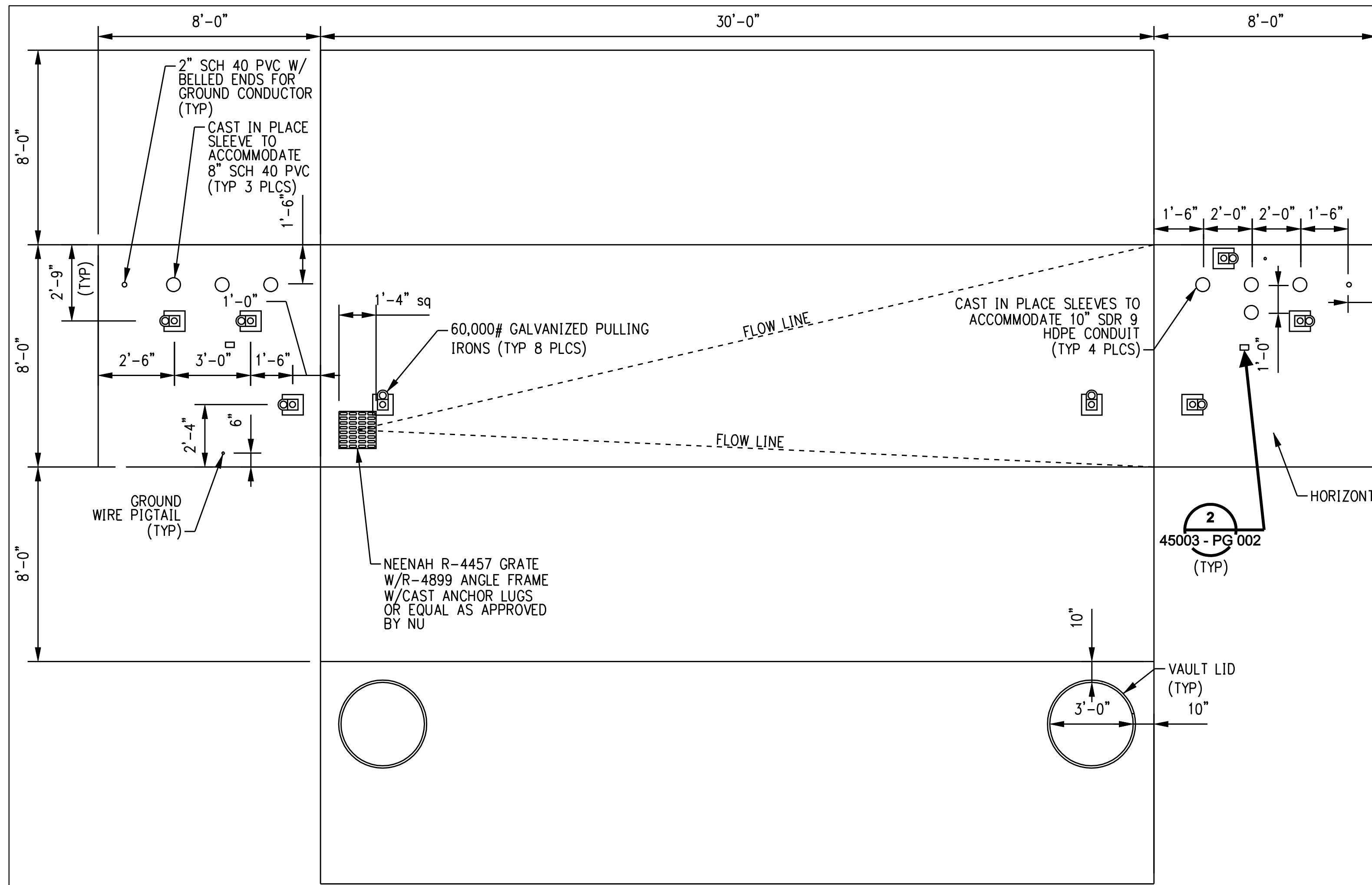
date 11/09/05
designed C. COURTRIGHT
detailed L. ROWSE
checked S. NEWLAND

MF	NO.	DATE	REVISIONS	BY	CHK	APP	APP

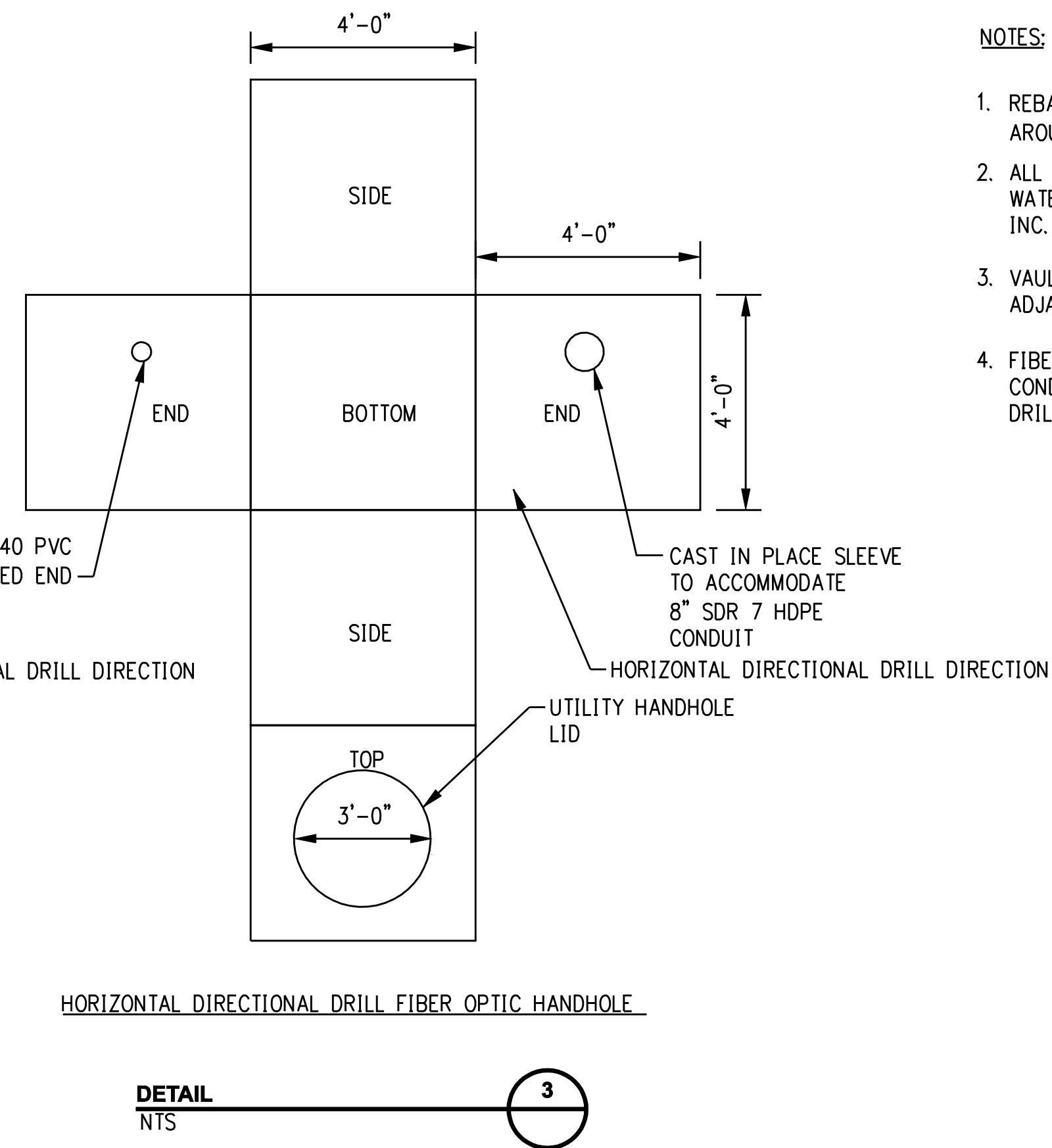
NORTHEAST UTILITIES SERVICE CO.

FOR THE CONNECTICUT LIGHT & POWER COMPANY
TITLE MIDDLETOWN-NORWALK 345KV TRANSMISSION PROJECT
VAULT AND GROUNDING DETAILS

BY	SEN-BMCD	CHKD	APP	APP
DATE	11-09-05	DATE	DATE	DATE
SCALE	AS NOTED	D	DWG. NO.	01224-45003 PG 002

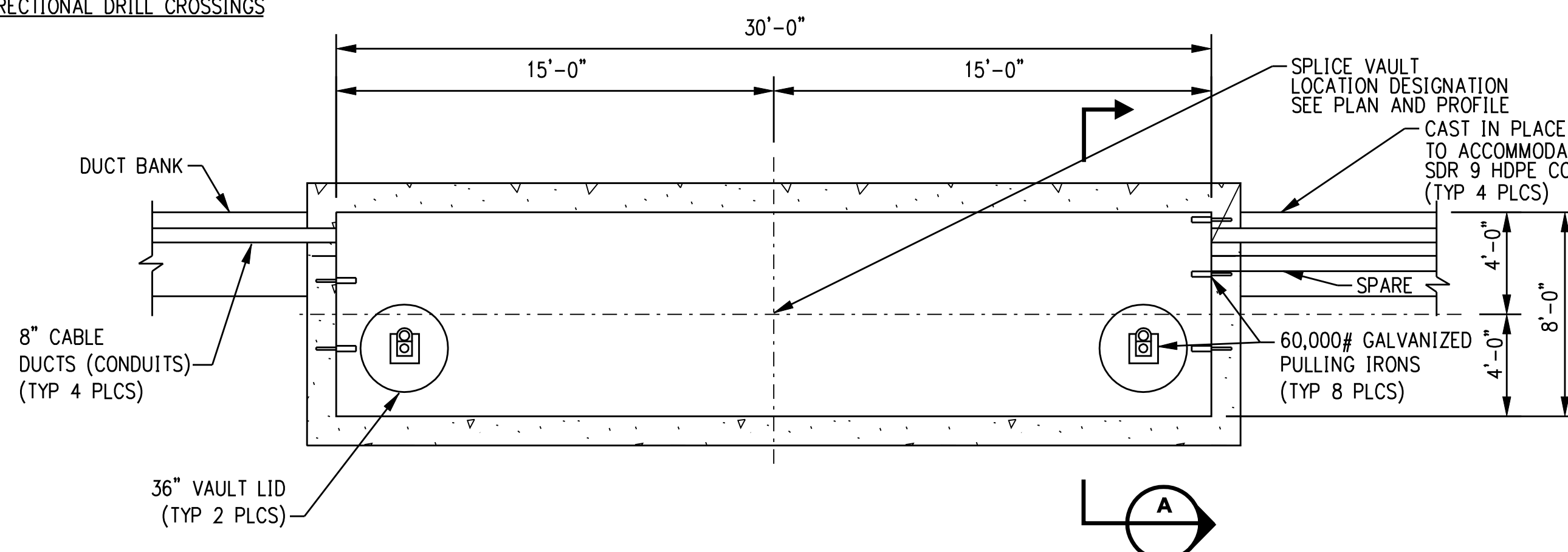


SPLICE VAULT DEVELOPMENT PLAN FOR VAULTS ADJACENT TO HORIZONTAL DIRECTIONAL DRILL CROSSINGS

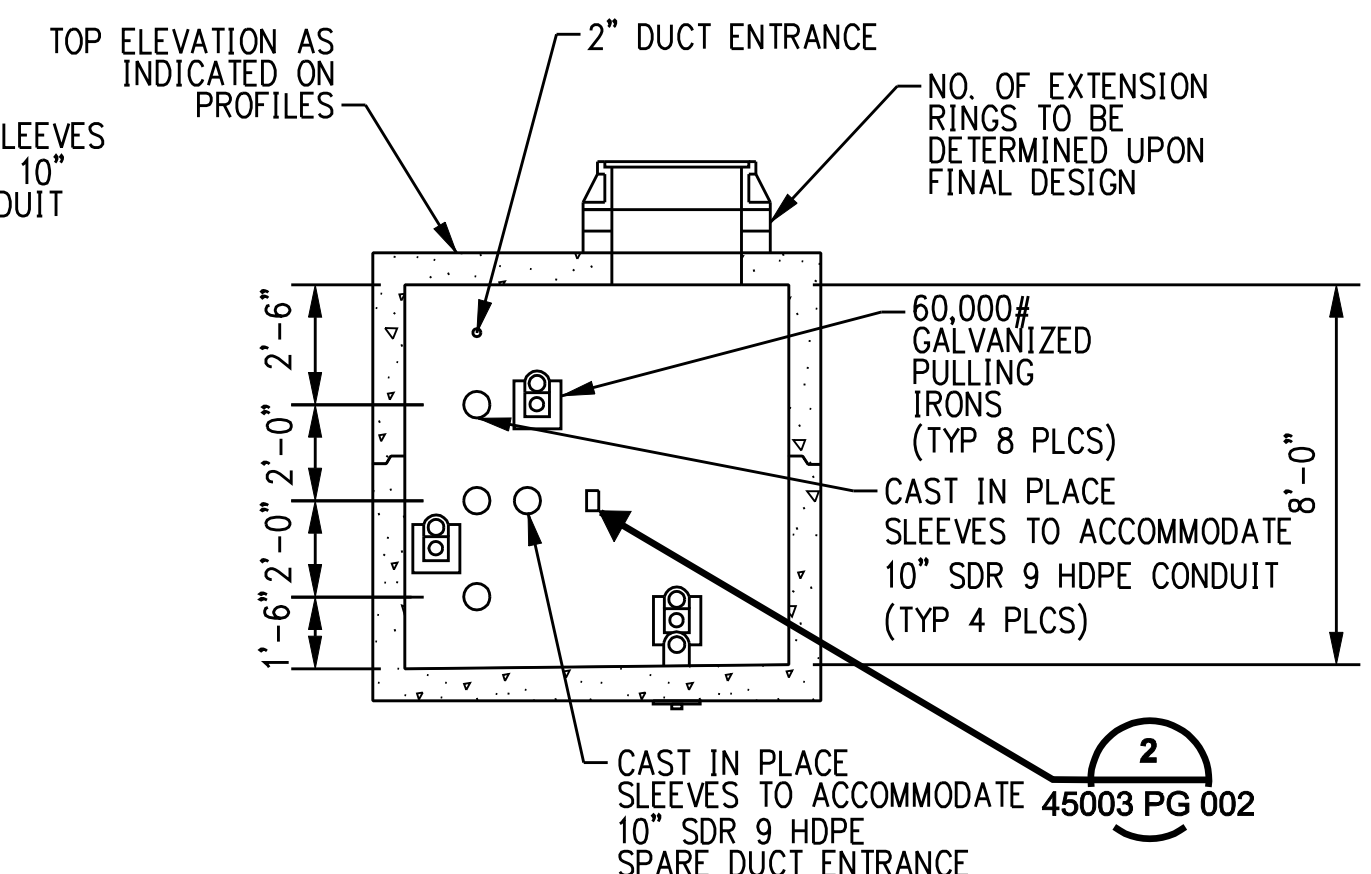


- NOTES:
- REBAR WITHIN SPLICE CHAMBER WALLS SHALL NOT FORM A LOOP AROUND ANY 8" CONDUIT OPENING.
 - ALL UNUSED CONDUITS SHALL BE PLUGGED AND SEALED USING WATERTIGHT DUCT PLUGS AS MANUFACTURED BY JACKMOON USA, INC. OR ACCEPTABLE EQUAL.
 - VAULT ENDS HAVING HDPE SPARE DUCTS ARE ORIENTED TOWARD ADJACENT HORIZONTAL DIRECTIONAL DRILL CROSSINGS.
 - FIBER OPTIC HANDHOLES HAVING SLEEVES TO ACCOMMODATE HDPE CONDUITS SHALL BE ORIENTED TOWARD THE HORIZONTAL DIRECTIONAL DRILL.

DETAIL 2
 NTS



INTERIOR PLAN OF ELECTRICAL SPLICE VAULTS ADJACENT TO HORIZONTAL DIRECTIONAL DRILL CROSSINGS
 1
 NTS



HORIZONTAL DIRECTIONAL DRILL SPLICE VAULT
 SECTION A
 NTS

COPYRIGHT © 2007 BURNS & MCDONNELL ENGINEERING COMPANY, INC.

DOCKET No. 272

ISSUED FOR CONSTRUCTION

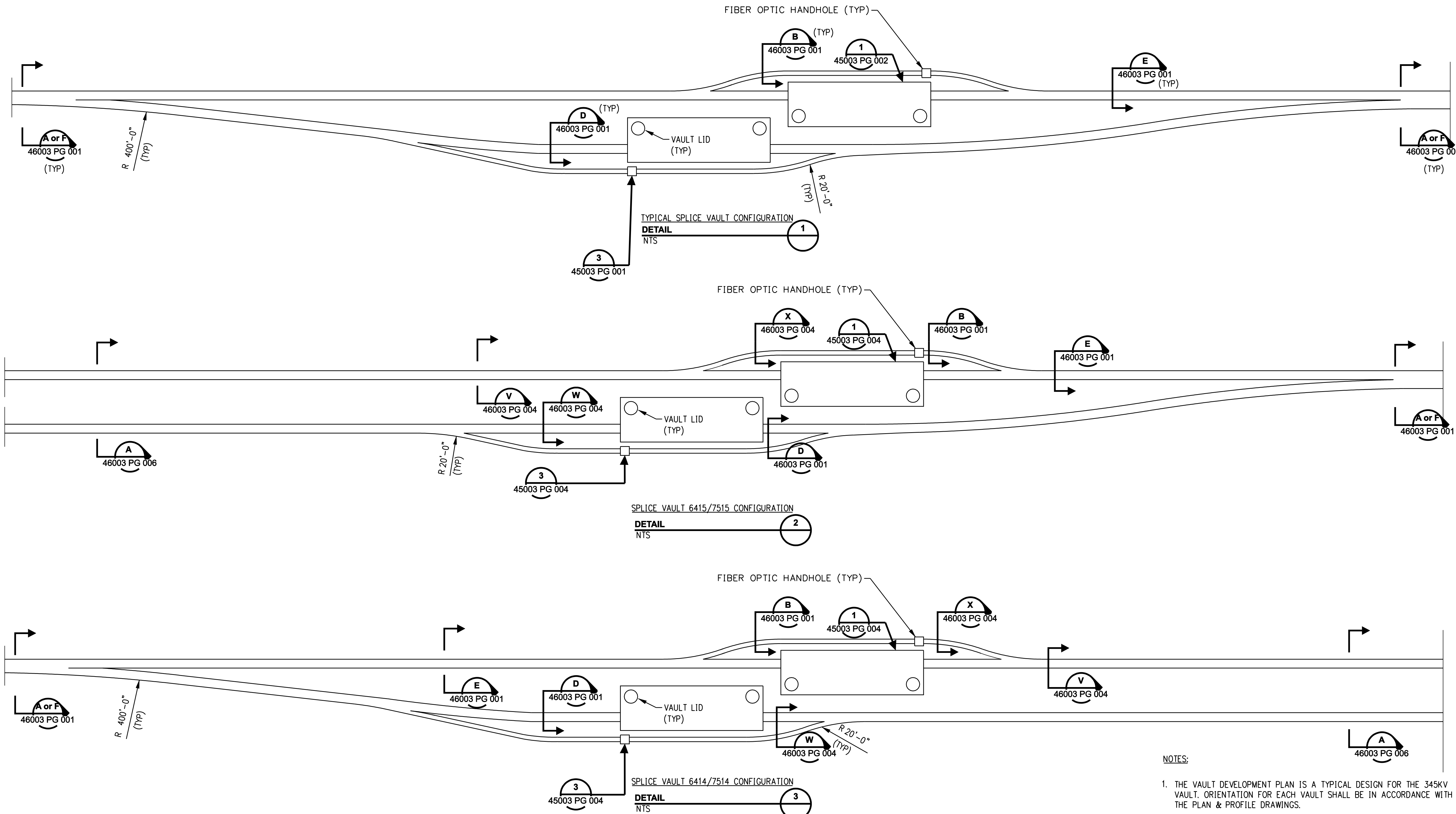


date 05/05/06 detailed L. ROWSE
 designed C. COURTRIGHT checked S. NEWLAND

no.	date	revisions	by	chk
1	5/10/07	ISSUED CSC REVISED	CTC	

MF	NO.	DATE	REVISIONS	BY	CHK	APP	APP

NORTHEAST UTILITIES SERVICE CO.			
FOR THE CONNECTICUT LIGHT & POWER COMPANY			
TITLE MIDDLETOWN-NORWALK 345KV TRANSMISSION PROJECT			
HORIZONTAL DIRECTIONAL DRILL SPLICE VAULT DETAILS			
BY SEN-BMCD	CHKD	APP	APP
DATE 5-05-06	DATE	DATE	DATE
SCALE AS NOTED	D	DWG. NO. 01224-45003 PG 004	



NOTES:
 1. THE VAULT DEVELOPMENT PLAN IS A TYPICAL DESIGN FOR THE 345KV VAULT. ORIENTATION FOR EACH VAULT SHALL BE IN ACCORDANCE WITH THE PLAN & PROFILE DRAWINGS.

DOCKET No. 272

ISSUED FOR CONSTRUCTION

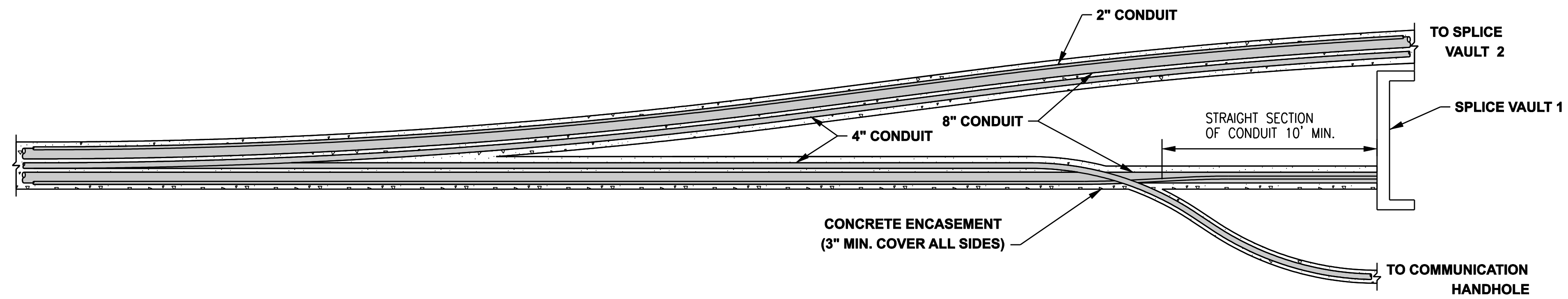
no.	date	revisions	by	chk
1	5/10/07	ISSUED CSC REVISED	CTC	

Burns & McDonnell
SINCE 1898

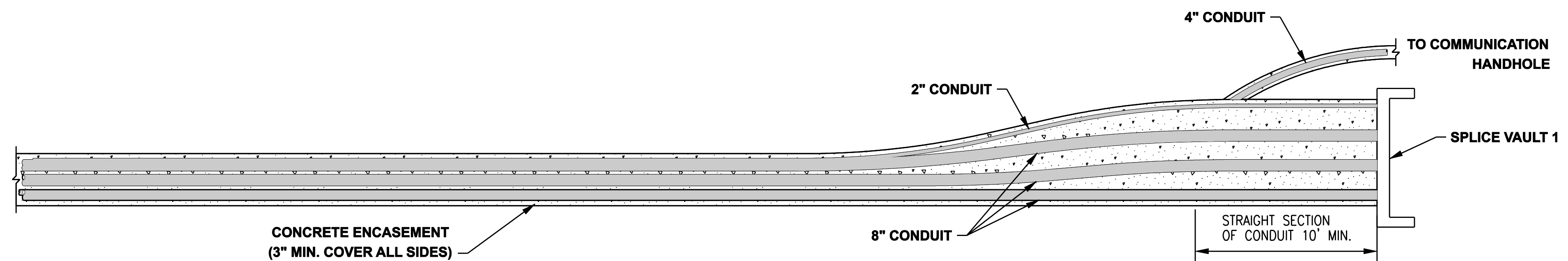
date 07/14/06 detailed L. ROWSE
 designed C. COURTRIGHT checked S. NEWLAND

MF	NO.	DATE	REVISIONS	BY	CHK	APP	APP

NORTHEAST UTILITIES SERVICE CO.			
FOR THE CONNECTICUT LIGHT & POWER COMPANY			
TITLE MIDDLETOWN-NORWALK 345KV TRANSMISSION PROJECT TYPICAL/CROSSING SPLICE VAULT DETAILS SEGMENT 4B			
BY SEN-BMCD	CHKD	APP	APP
DATE 7-14-06	DATE	DATE	DATE
SCALE AS NOTED	D		DWG. NO. 01224-45003 PG 007



PLAN




PROFILE

DUCT BANK CONDUIT TRANSITION
DETAIL 1

DOCKET No. 272

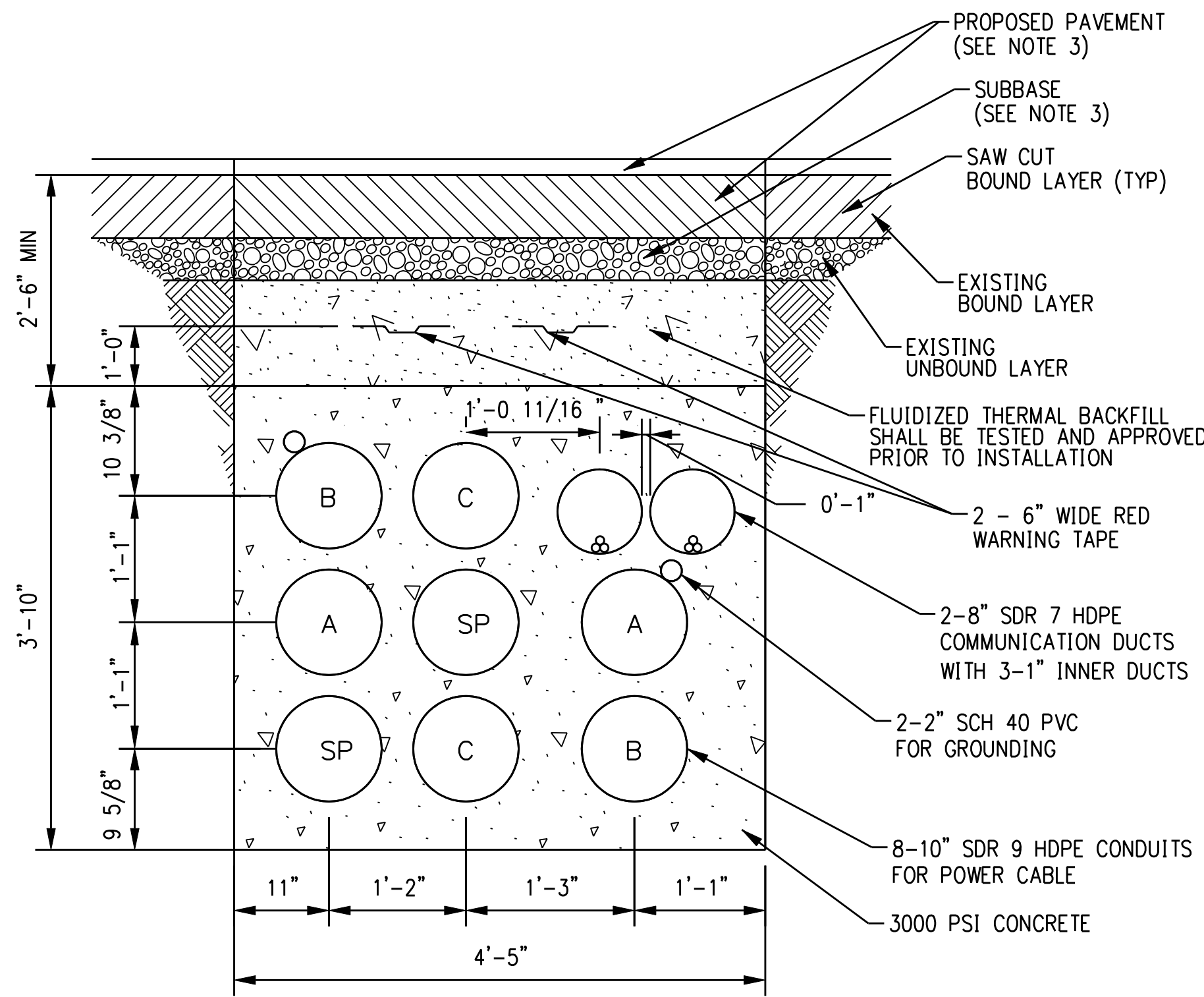
ISSUED FOR CONSTRUCTION

no.	date	revisions	by	chk
1	5/10/07	ISSUED CSC REVISED	CTC	


 date 07/05/06 detailed L. ROWSE
 designed C. COURTRIGHT checked S. NEWLAND

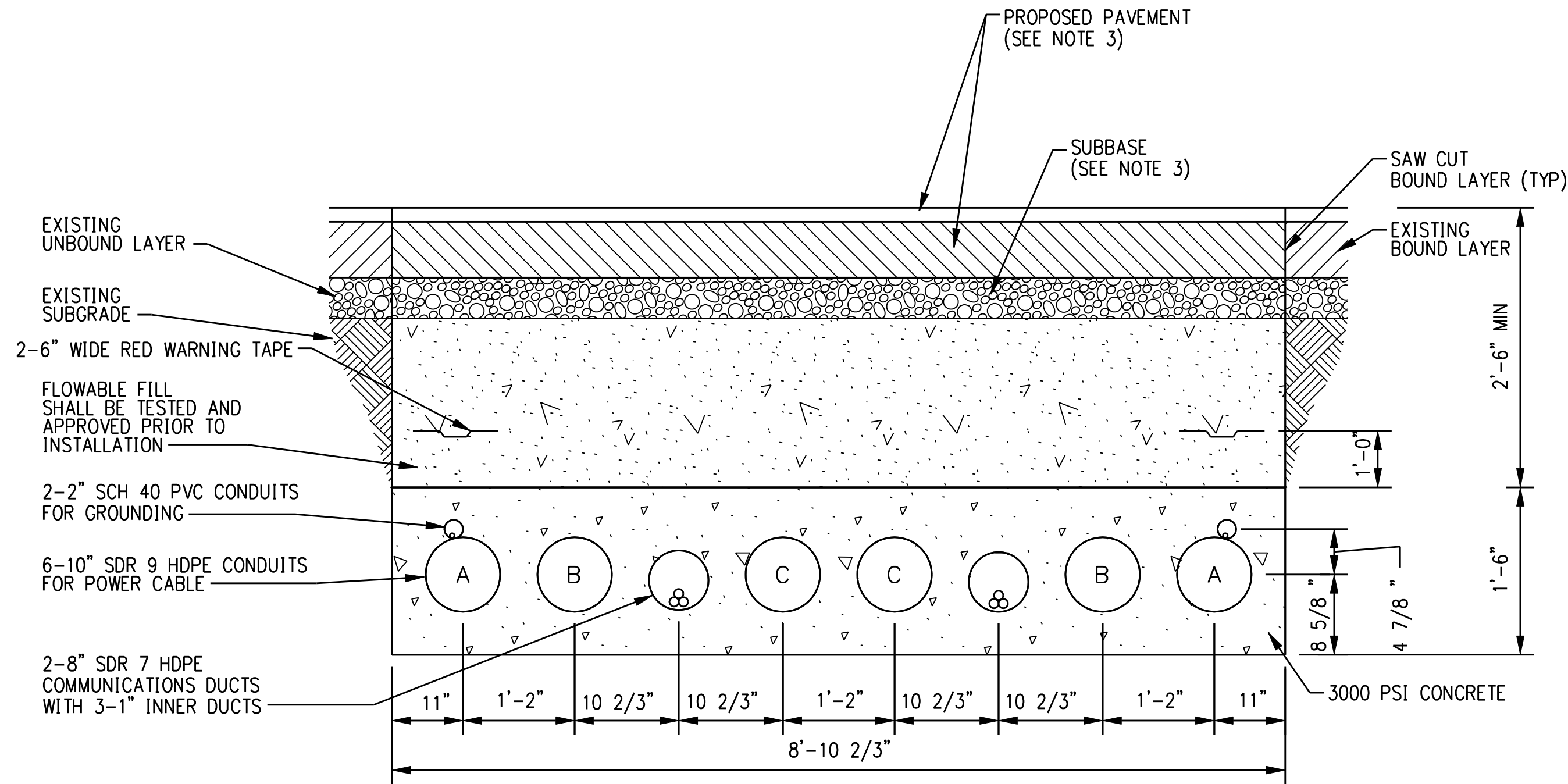
MF	NO.	DATE	REVISIONS	BY	CHK	APP	APP

NORTHEAST UTILITIES SERVICE CO.			
FOR THE CONNECTICUT LIGHT & POWER COMPANY			
TITLE MIDDLETOWN-NORWALK 345KV TRANSMISSION PROJECT			
CONDUIT TRANSITIONS			
BY SEN-BMCD	CHKD	APP	APP
DATE 7-05-06	DATE	DATE	DATE
SCALE AS NOTED	D	DWG. NO. 01224-45003	PG 010



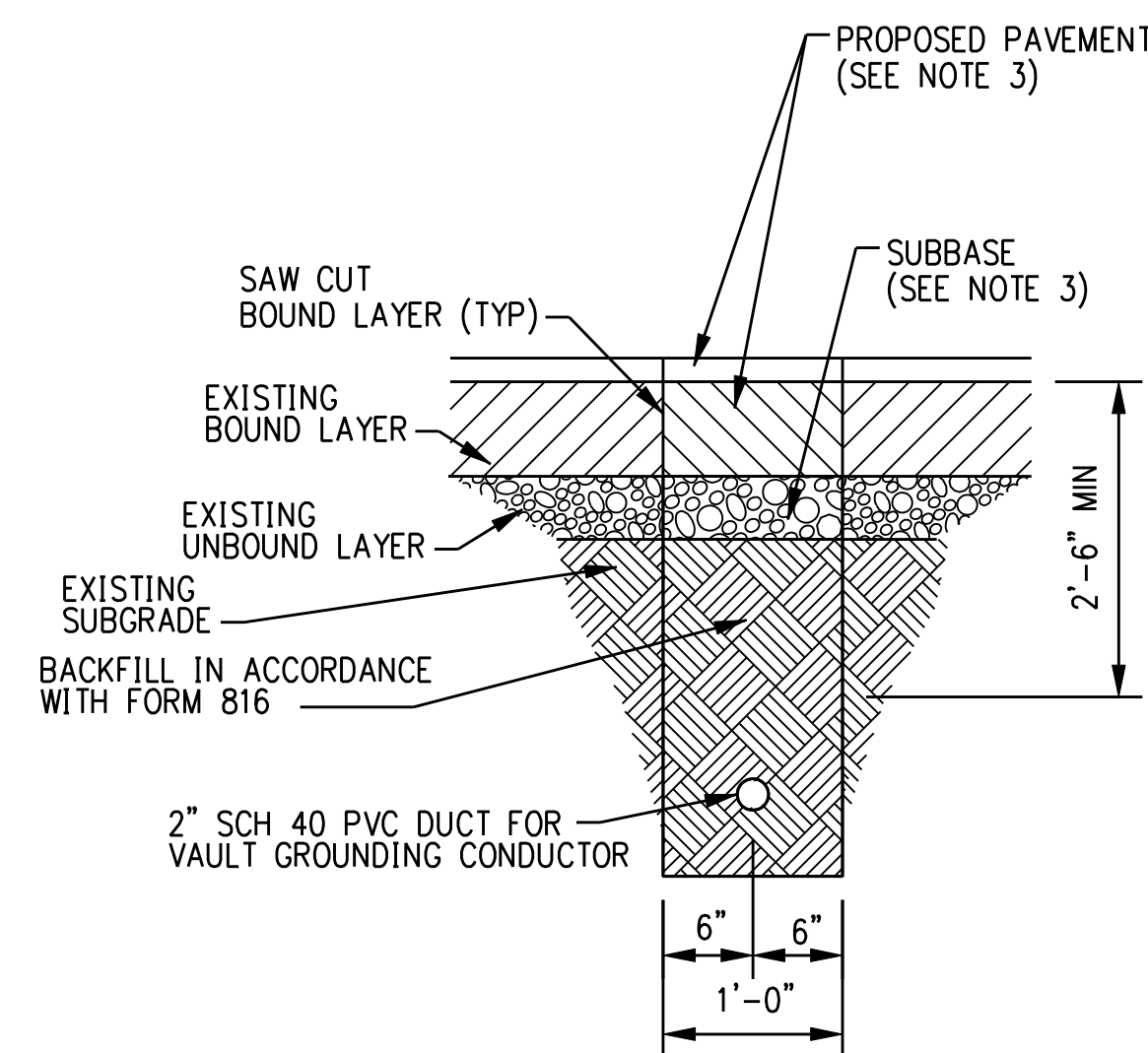
TYPICAL HORIZONTAL DIRECTIONAL DRILL DUCT BANK

SECTION NTS Y



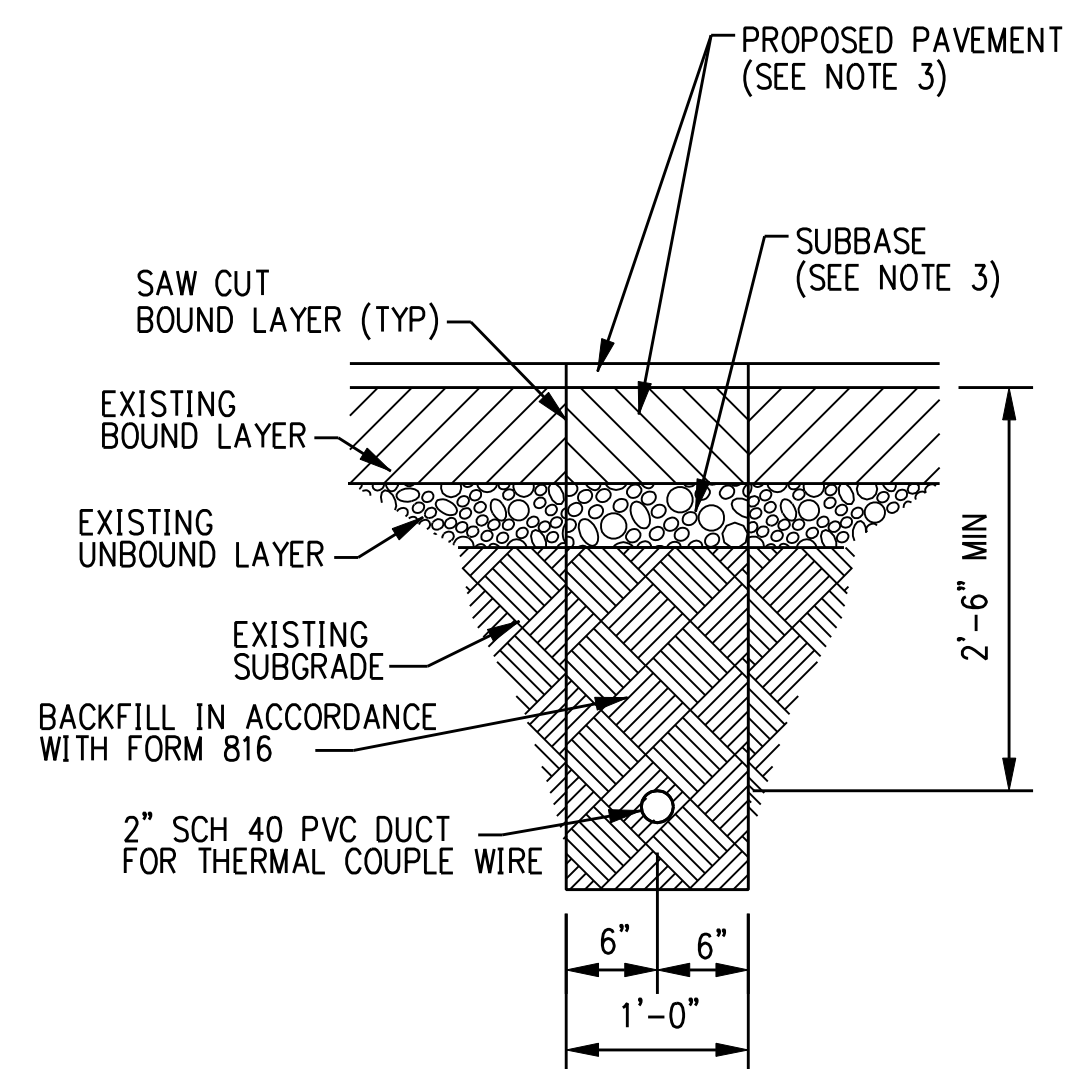
REDUCED-HEIGHT HORIZONTAL DIRECTIONAL DRILL DUCT BANK

SECTION NTS Z



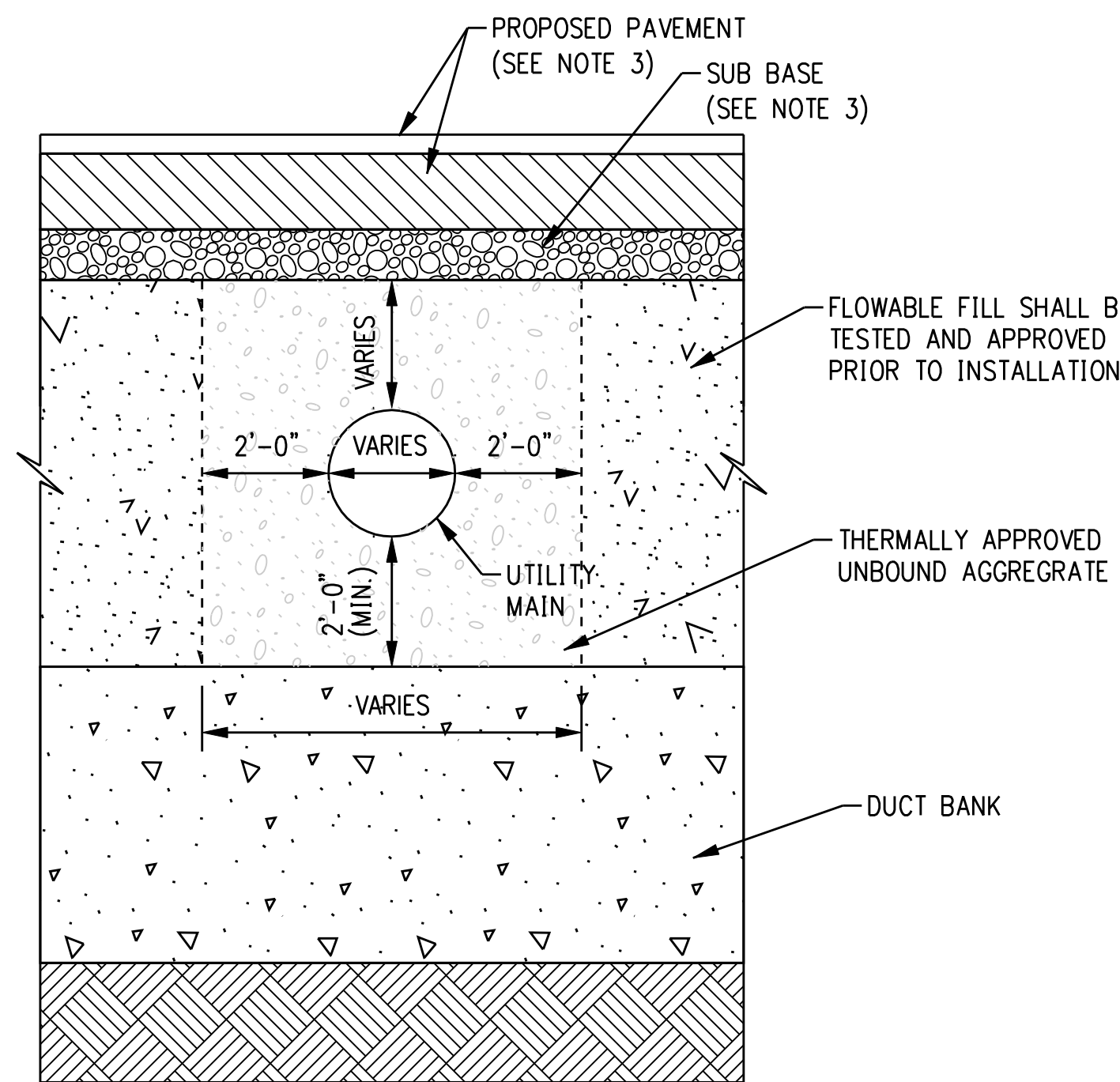
TYPICAL GROUNDING DUCT BANK

SECTION NTS AA



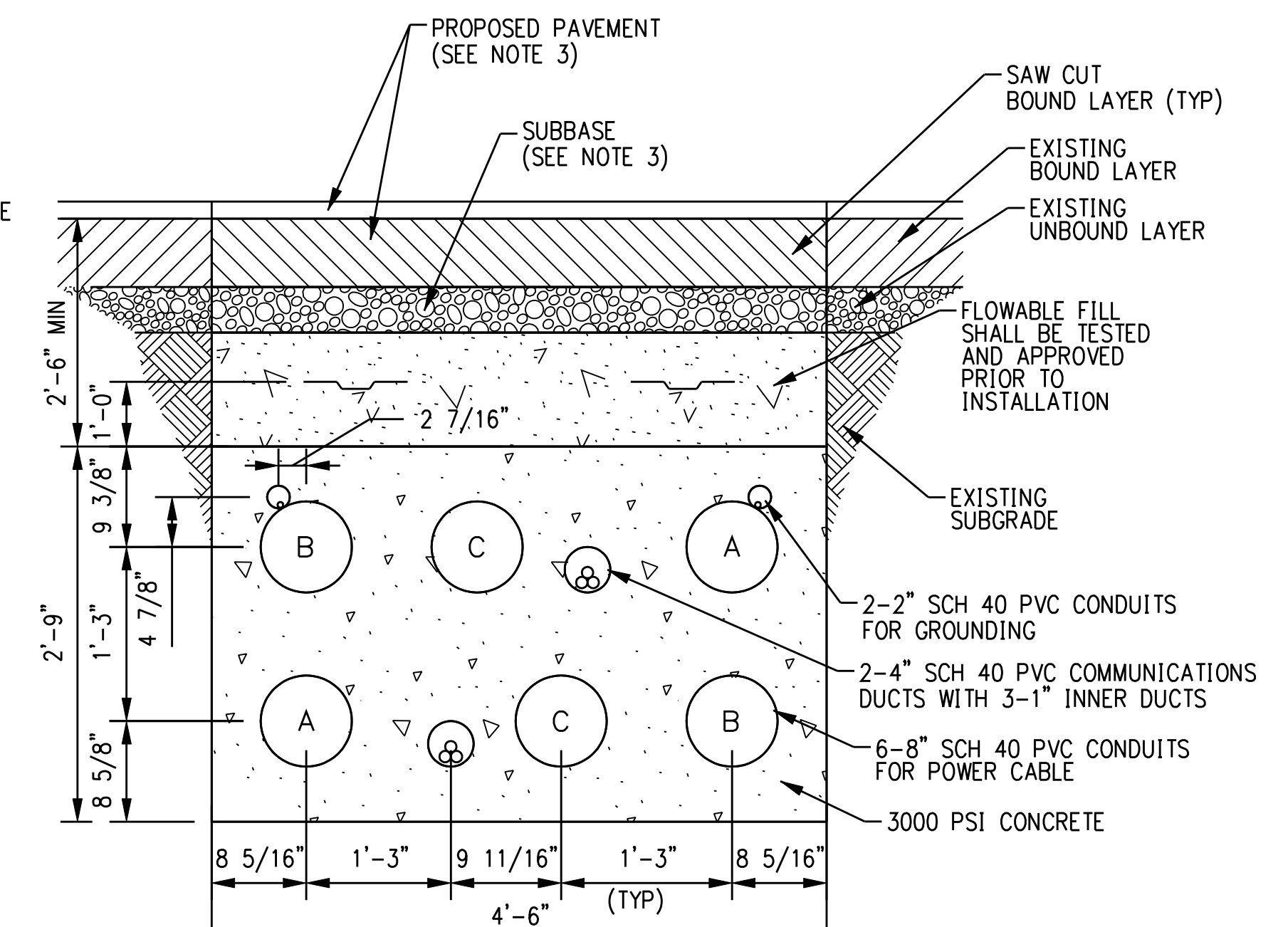
TYPICAL THERMAL COUPLE WIRE DUCT BANK

SECTION NTS BB



TYPICAL GAS UTILITY CROSSING

SECTION NTS M



15" PHASE-SPACING DUCT BANK

SECTION NTS N

- GENERAL NOTES:
- STANDARD TRENCH WITH PERMANENT PAVEMENT RESTORATION IN STATE HIGHWAY SHOWN. PAVEMENT RESTORATION REQUIREMENTS SHALL VARY DEPENDENT ON SPECIFIC EXISTING PAVEMENT CROSS SECTIONS AND MATERIALS.
 - OMITTED
 - REFERENCE RESTORATION DRAWINGS FOR PROPOSED PAVEMENT SECTIONS.

DOCKET No. 272

ISSUED FOR CONSTRUCTION

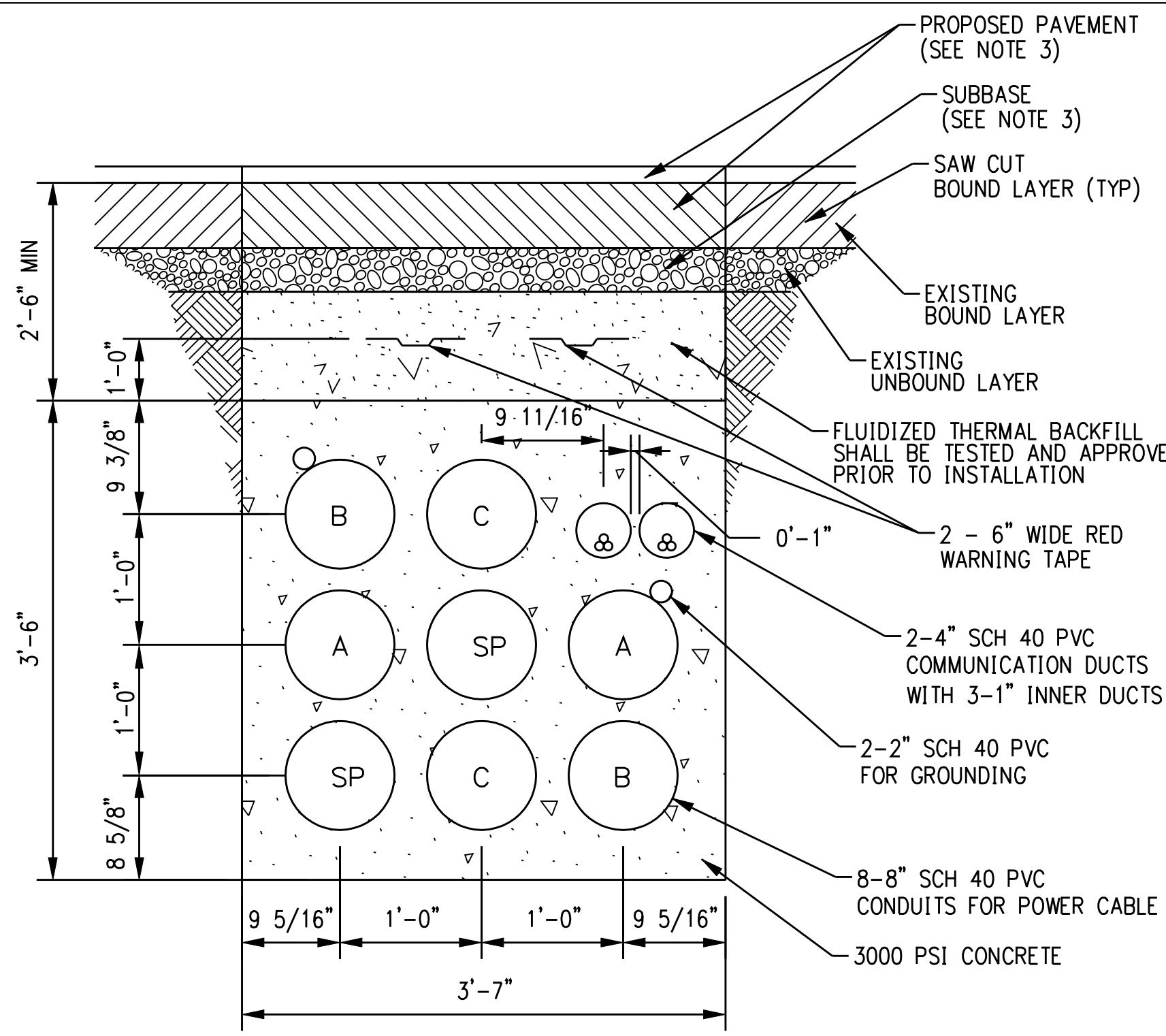


date 11/09/05
 detailed L. ROWSE
 designed C. COURTRIGHT
 checked S. NEWLAND

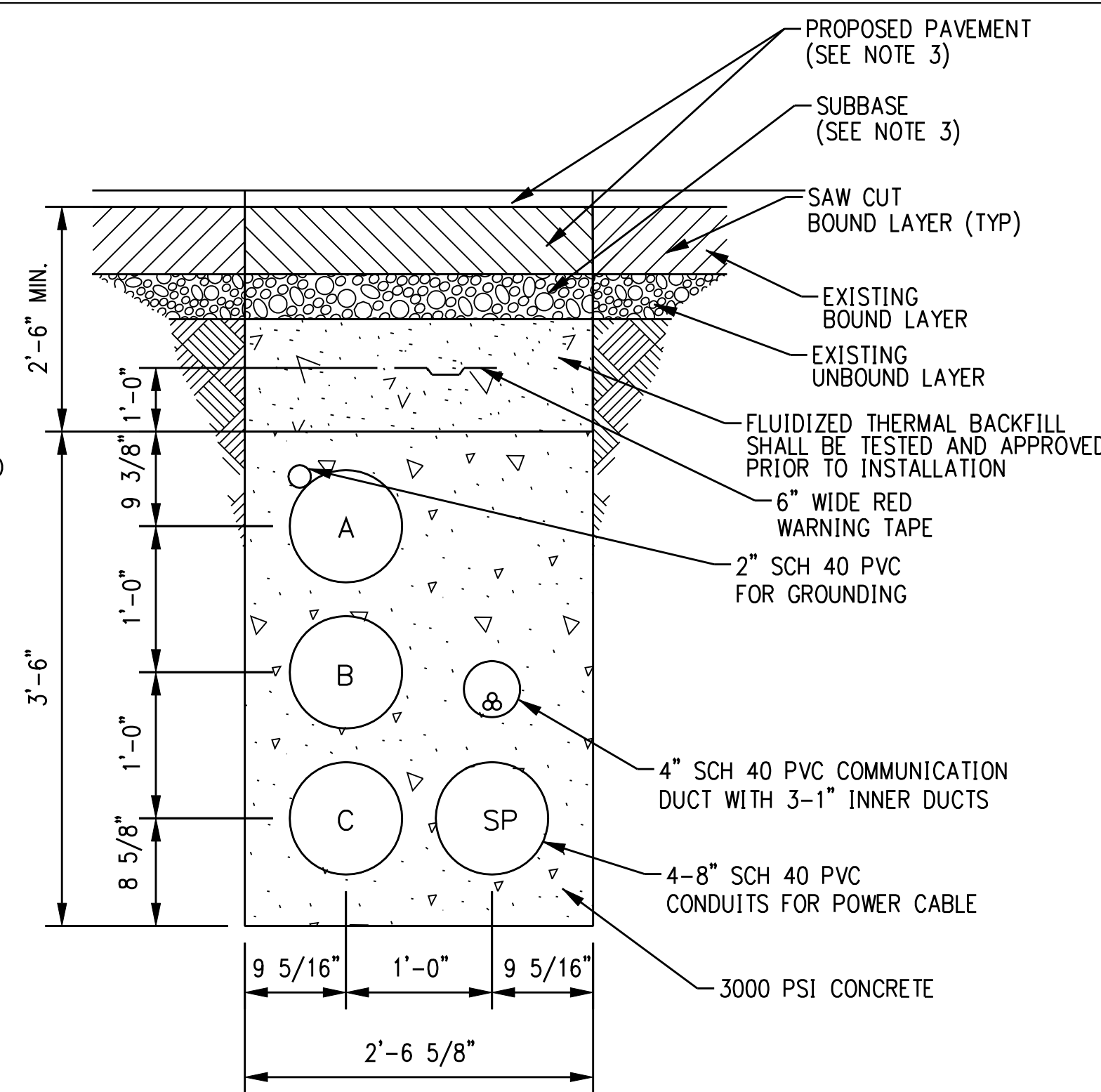
no.	date	revisions	by	chk
1	5/10/07	ISSUED CSC REVISED	CTC	

MF	NO.	DATE	REVISIONS	BY	CHK	APP	APP

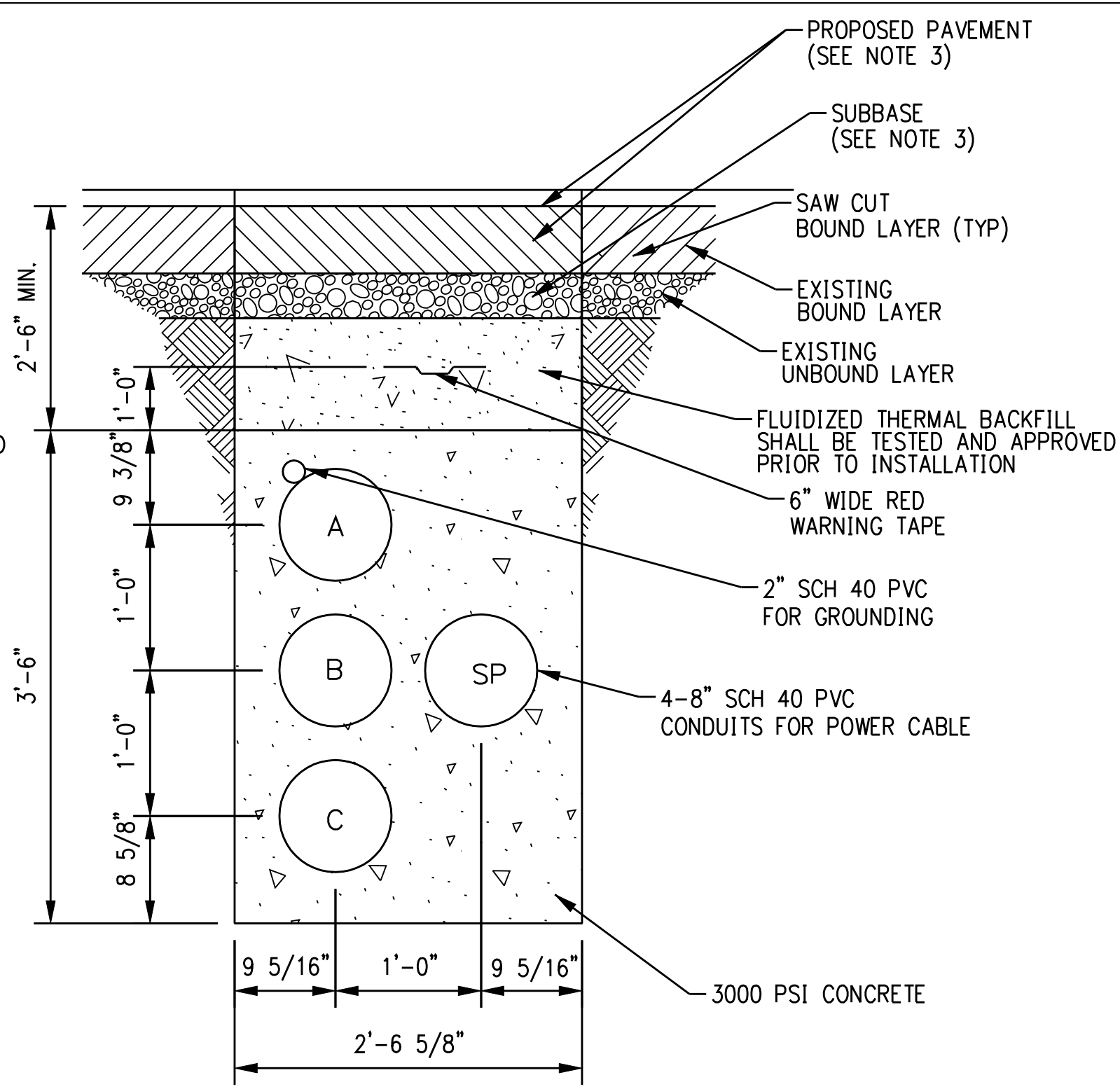
NORTHEAST UTILITIES SERVICE CO.			
FOR THE CONNECTICUT LIGHT & POWER COMPANY			
TITLE MIDDLETOWN-NORWALK 345KV TRANSMISSION PROJECT UTILITY BRIDGE DUCT BANK DETAILS AND UTILITY CROSSING DETAIL			
BY SEN-BMCD	CHKD	APP	APP
DATE 11-09-05	DATE	DATE	DATE
SCALE AS NOTED	D	DWG. NO. 01224-46003	PG 002



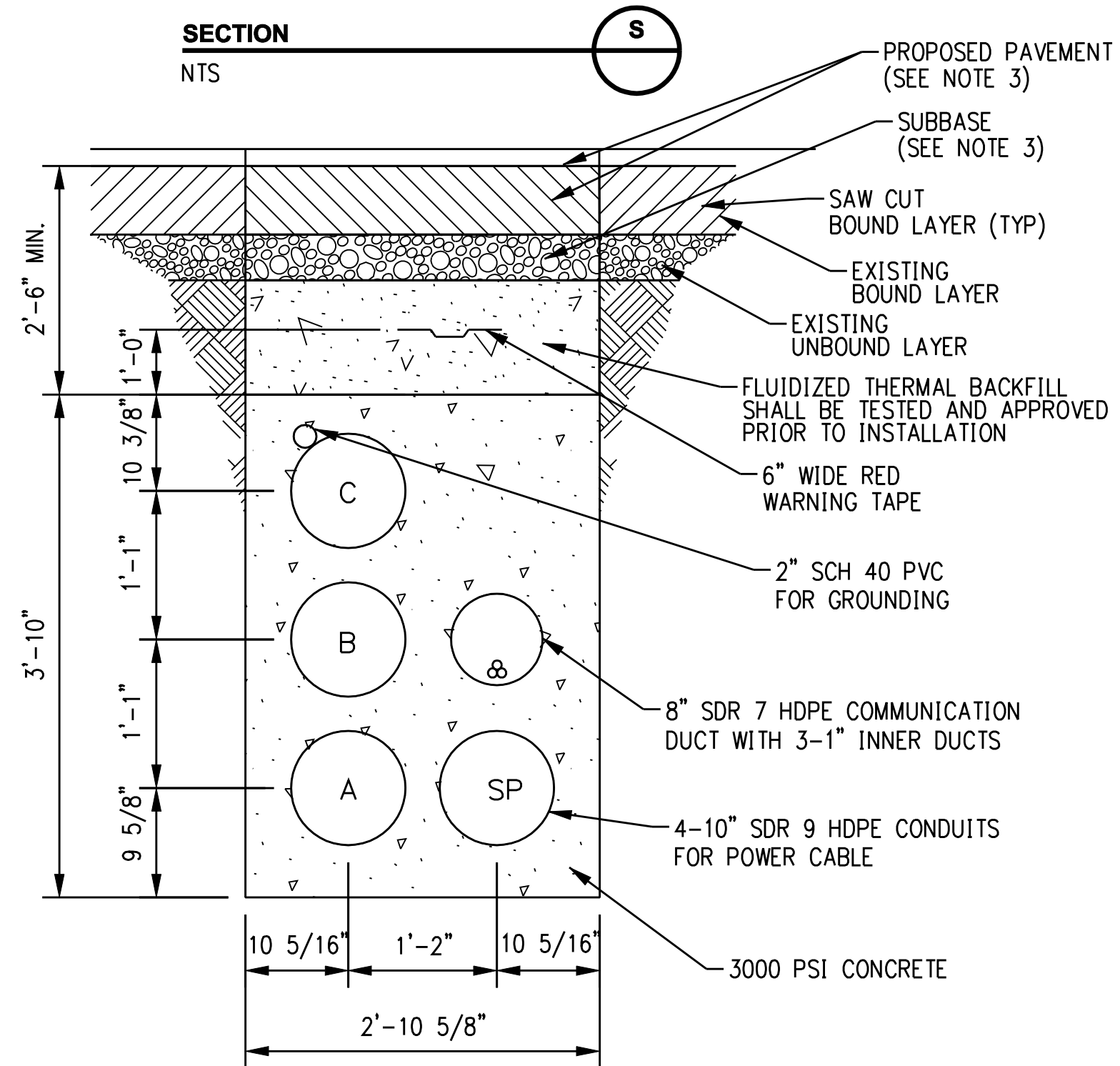
TYPICAL JACK AND BORE DUCT BANK



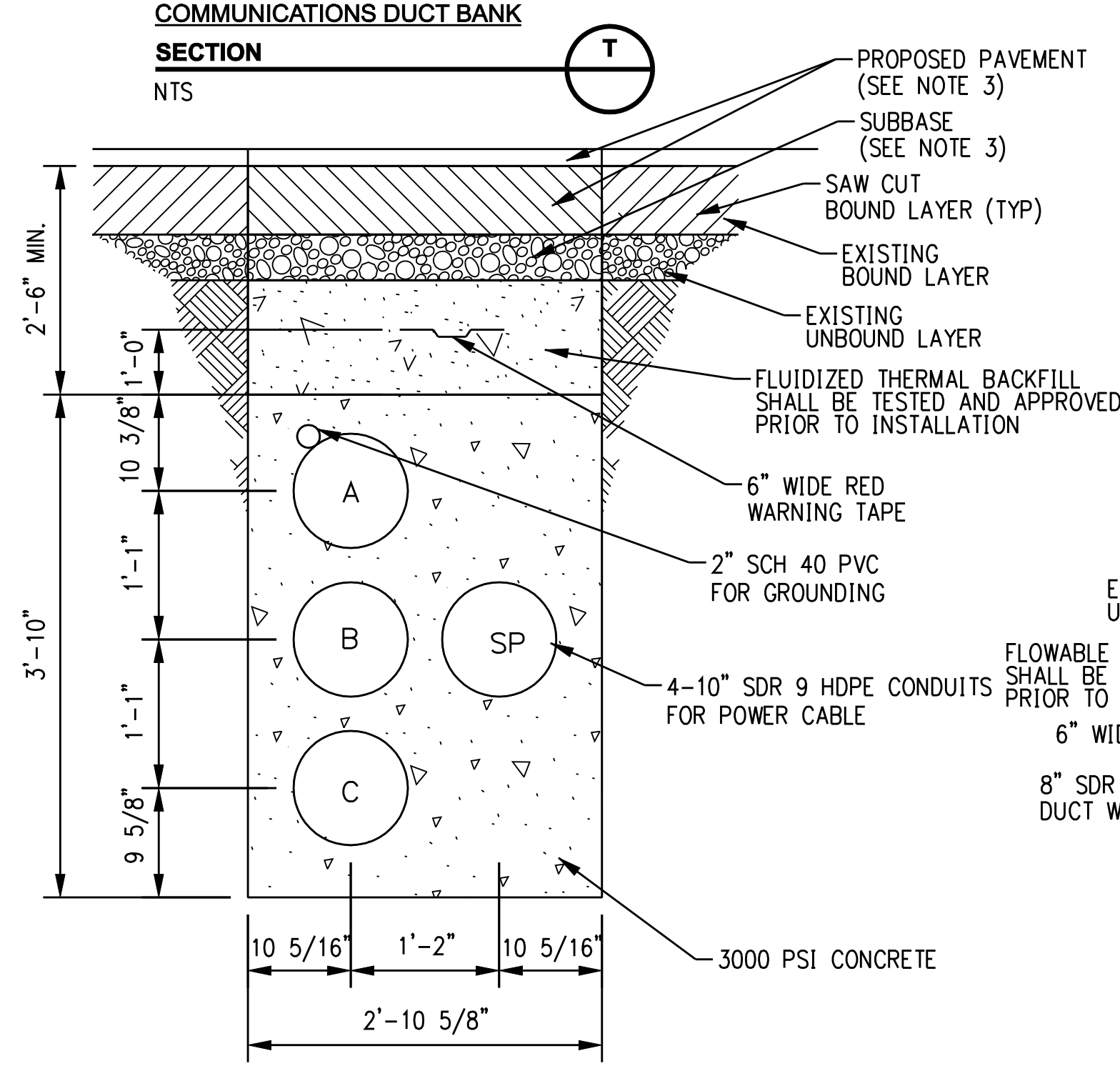
JACK AND BORE SINGLE CIRCUIT WITH COMMUNICATIONS DUCT BANK



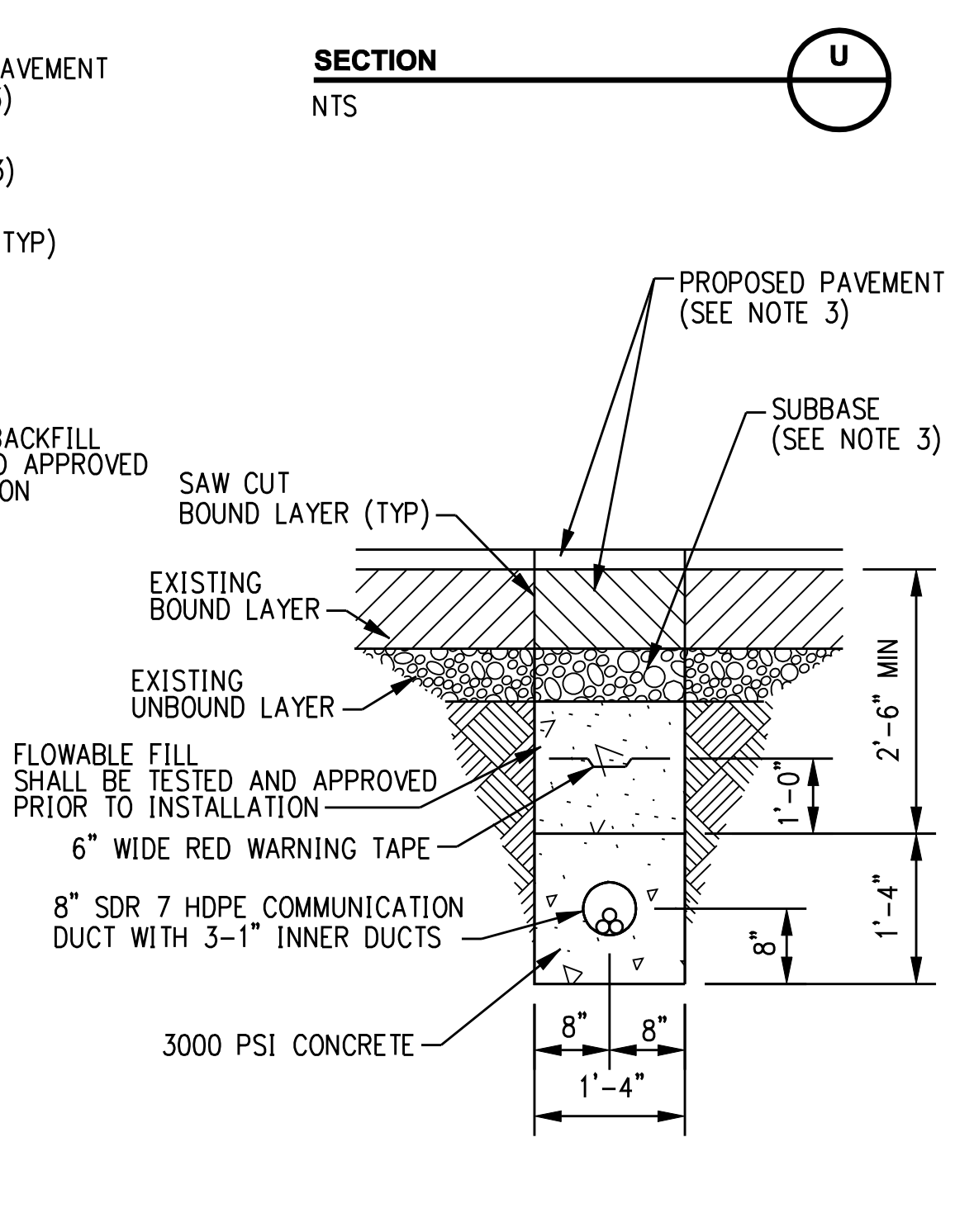
JACK AND BORE SINGLE CIRCUIT DUCT BANK



HORIZONTAL DIRECTIONAL DRILL SINGLE CIRCUIT WITH COMMUNICATIONS DUCT BANK



HORIZONTAL DIRECTIONAL DRILL SINGLE CIRCUIT DUCT BANK



HORIZONTAL DIRECTIONAL DRILL COMMUNICATIONS DUCT BANK

GENERAL NOTES:

- STANDARD TRENCH WITH PERMANENT PAVEMENT RESTORATION IN STATE HIGHWAY SHOWN. PAVEMENT RESTORATION REQUIREMENTS SHALL VARY DEPENDENT ON SPECIFIC EXISTING PAVEMENT CROSS SECTIONS AND MATERIALS.
- OMITTED
- REFERENCE RESTORATION DRAWINGS FOR PROPOSED PAVEMENT SECTIONS.

DOCKET No. 272

ISSUED FOR CONSTRUCTION

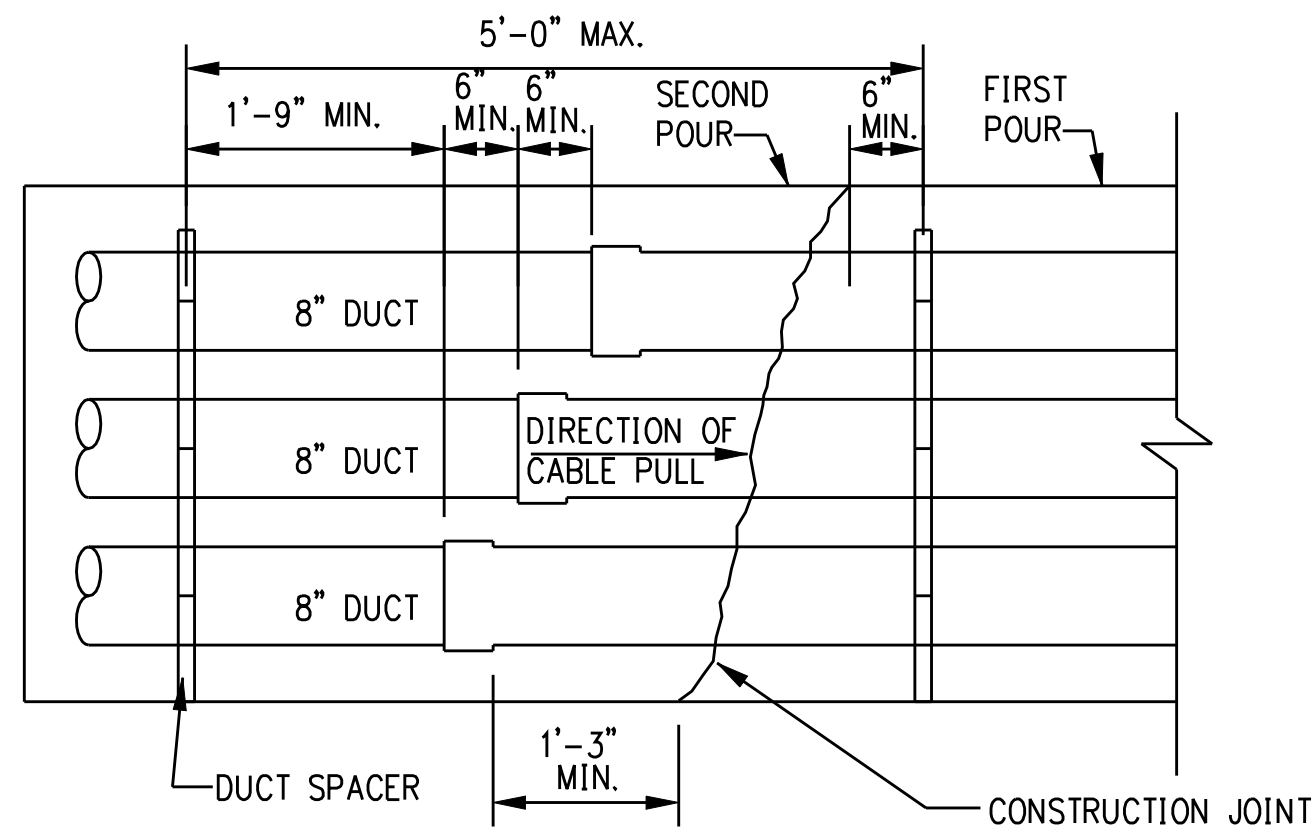
no.	date	revisions	by	chk
1	5/10/07	ISSUED CSC REVISED		CTC

Burns & McDonnell SINCE 1898	
date	11/09/05
detailed	L. ROWSE
designed	C. COURTRIGHT
checked	S. NEWLAND

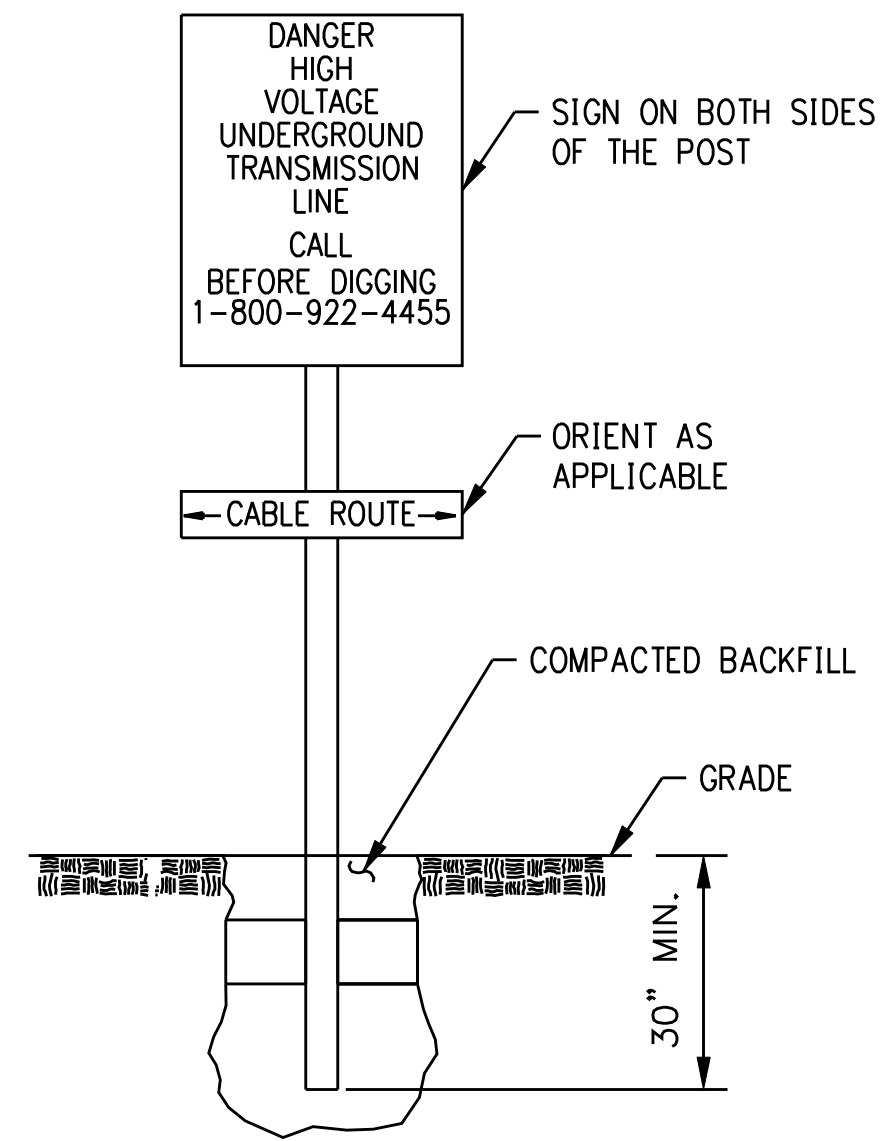
MF	NO.	DATE	REVISIONS	BY	CHK	APP	APP

NORTHEAST UTILITIES SERVICE CO.			
FOR THE CONNECTICUT LIGHT & POWER COMPANY			
TITLE MIDDLETOWN-NORWALK 345KV TRANSMISSION PROJECT JACK AND BORE, HORIZONTAL DIRECTIONAL DRILL AND UTILITY BRIDGE DUCT BANK DETAILS			
BY	SEN-BMCD	CHKD	APP
DATE	11-09-05	DATE	DATE
SCALE	AS NOTED	DWG. NO.	01224-46003 PG 004

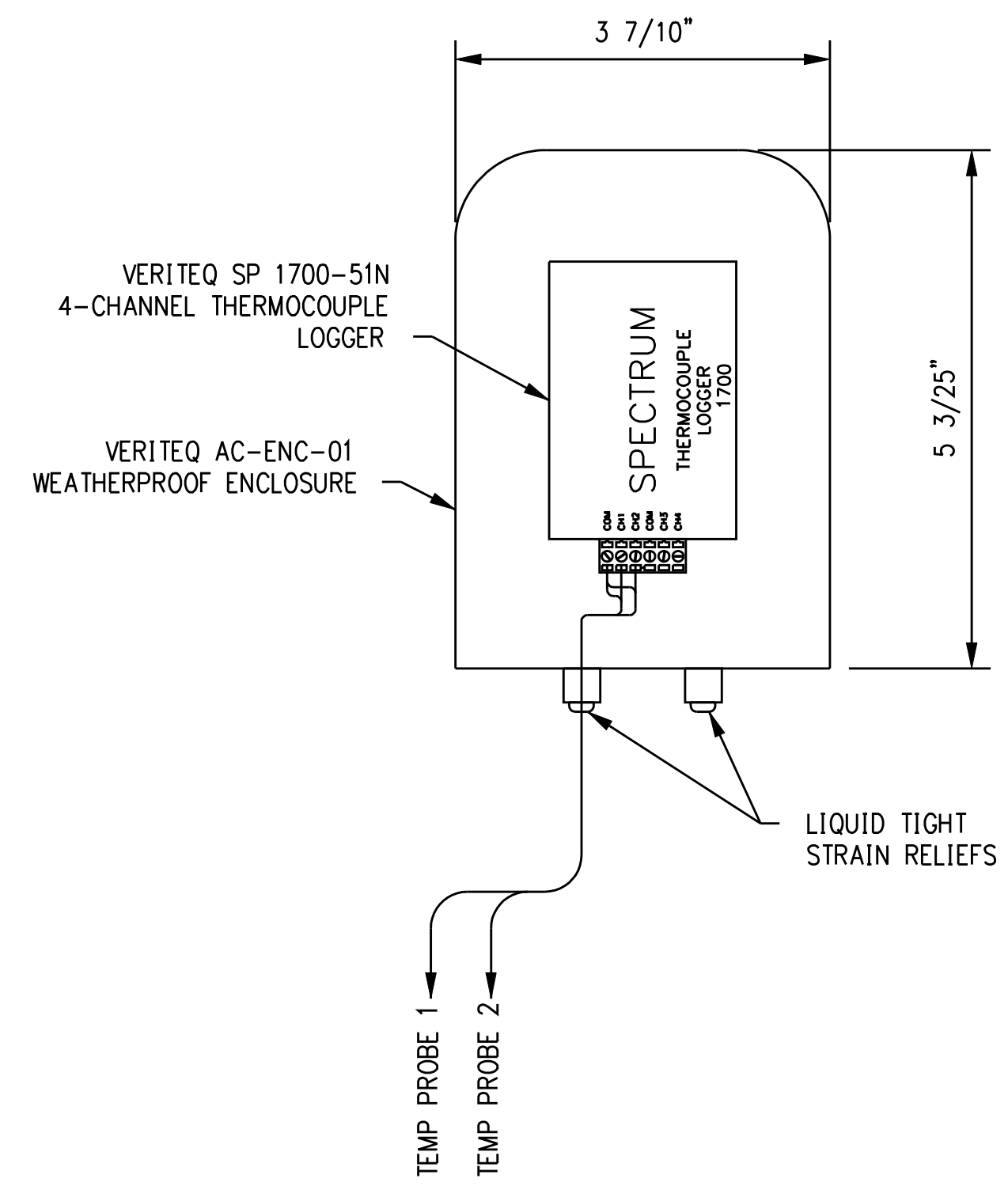
Cable Pulling Direction and Tension			
Middletown-Norwalk 345-kV Transmission Line Project			
Segment 4b			
Norwalk / Westport, CT			
Cable Pulling Direction		Calculated Tension (lb.)	Calculated Maximum Side Wall Pressure (lb/ft.)
From Vault	To Vault		
6	5	15,100	150
6	7	17,800	90
8	7	14,300	100
8	9	15,000	70
9	10	15,100	70
10	11	19,000	90
12	11	17,100	90
12	13	17,500	160
14	13	17,400	110
14	15	14,200	70
16	15	18,000	120
17	16	13,600	70
18	17	13,100	70
19	18	16,100	80
19	20	12,600	60
20	21	13,200	70
22	21	16,400	90
22	23	17,800	90
23	24	18,900	100
24	25	19,300	160
25	26	16,100	80
26	27	19,600	100



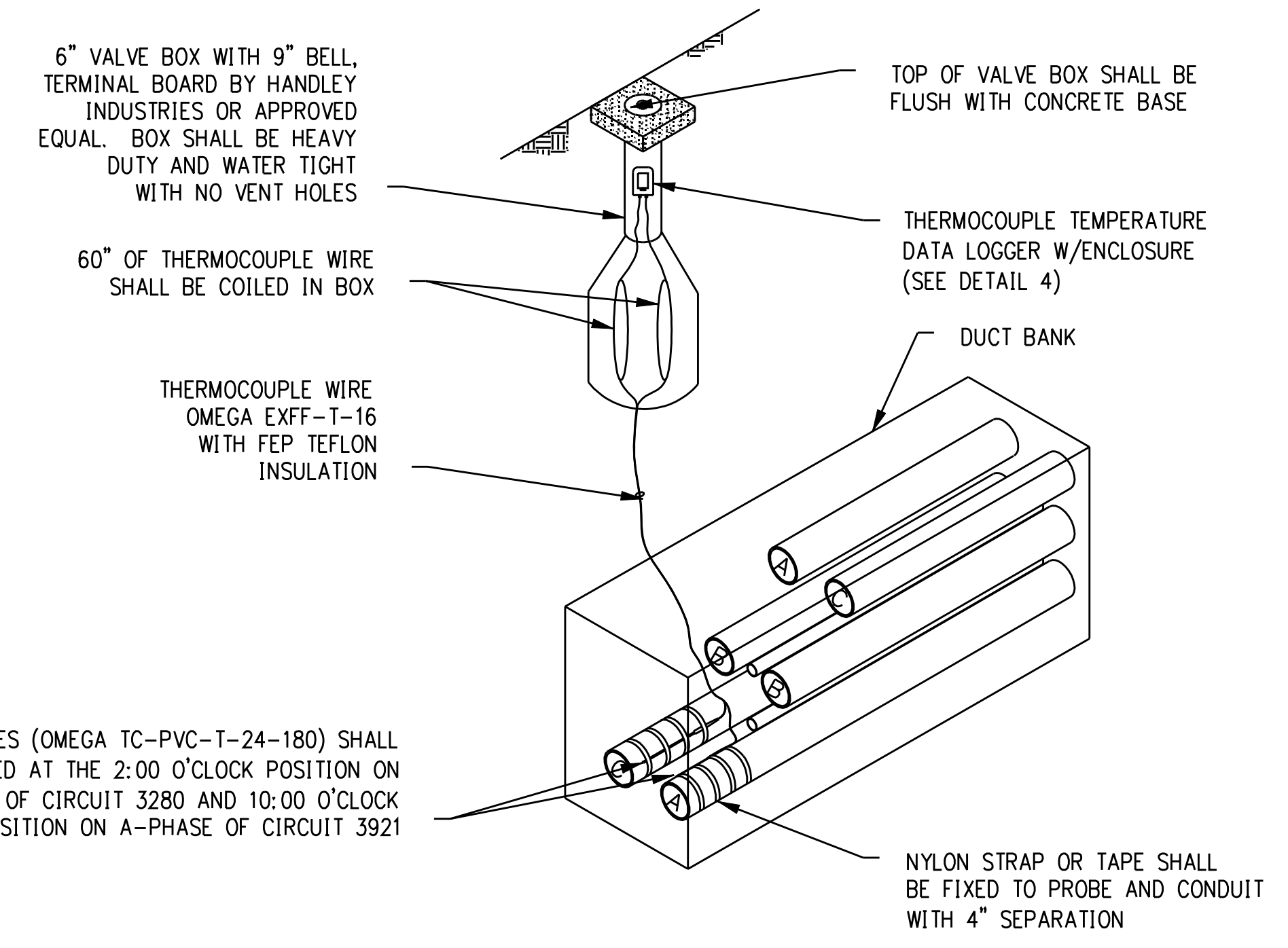
CONSTRUCTION JOINT DETAIL
 1
 NTS



TYPICAL WARNING SIGN
 2
 NTS



THERMOCOUPLE TEMPERATURE DATA LOGGER
 4
 NTS



TEMPERATURE MONITORING STATION INSTALLATION
 5
 NTS

TMS #S	CENTER OF TMS
TMS #05	N 605,759.6611 E 818,094.6606
TMS #06	N 605,626.1414 E 819,370.7655
TMS #07	N 606,597.0622 E 821,111.4377
TMS #08	N 606,983.5426 E 822,299.0121
TMS #09	N 607,577.7222 E 824,146.2437
TMS #10	N 608,022.9223 E 825,733.9030
TMS #11	N 608,647.2377 E 826,972.9375
TMS #12	N 610,076.3556 E 828,321.8666
TMS #13	N 611,094.1367 E 829,154.0611
TMS #14	N 611,487.4096 E 830,415.3439
TMS #15	N 611,676.8788 E 832,369.9627
TMS #16	N 612,788.3921 E 832,578.8496
TMS #17	N 612,351.8879 E 834,472.6634
TMS #18	N 611,918.8894 E 836,053.7588
TMS #19	N 611,407.8334 E 837,558.8288
TMS #20	N 611,715.2465 E 839,254.3331
TMS #21	N 611,840.5242 E 840,565.5223
TMS #22	N 611,815.1526 E 842,284.0577
TMS #23	N 611,828.2142 E 843,734.2116
TMS #24	N 611,760.6005 E 845,614.6441
TMS #25	N 611,611.3396 E 847,364.9239
TMS #26	N 611,551.1712 E 848,685.4621

COPYRIGHT © 2007 BURNS & McDONNELL ENGINEERING COMPANY, INC.

DOCKET No. 272

ISSUED FOR CONSTRUCTION

no.	date	revisions	by	chk
1	5/10/07	ISSUED CSC REVISED	CTC	

Burns & McDonnell
SINCE 1898

date 11/09/05 detailed L. ROWSE
 designed C. COURTRIGHT checked S. NEWLAND

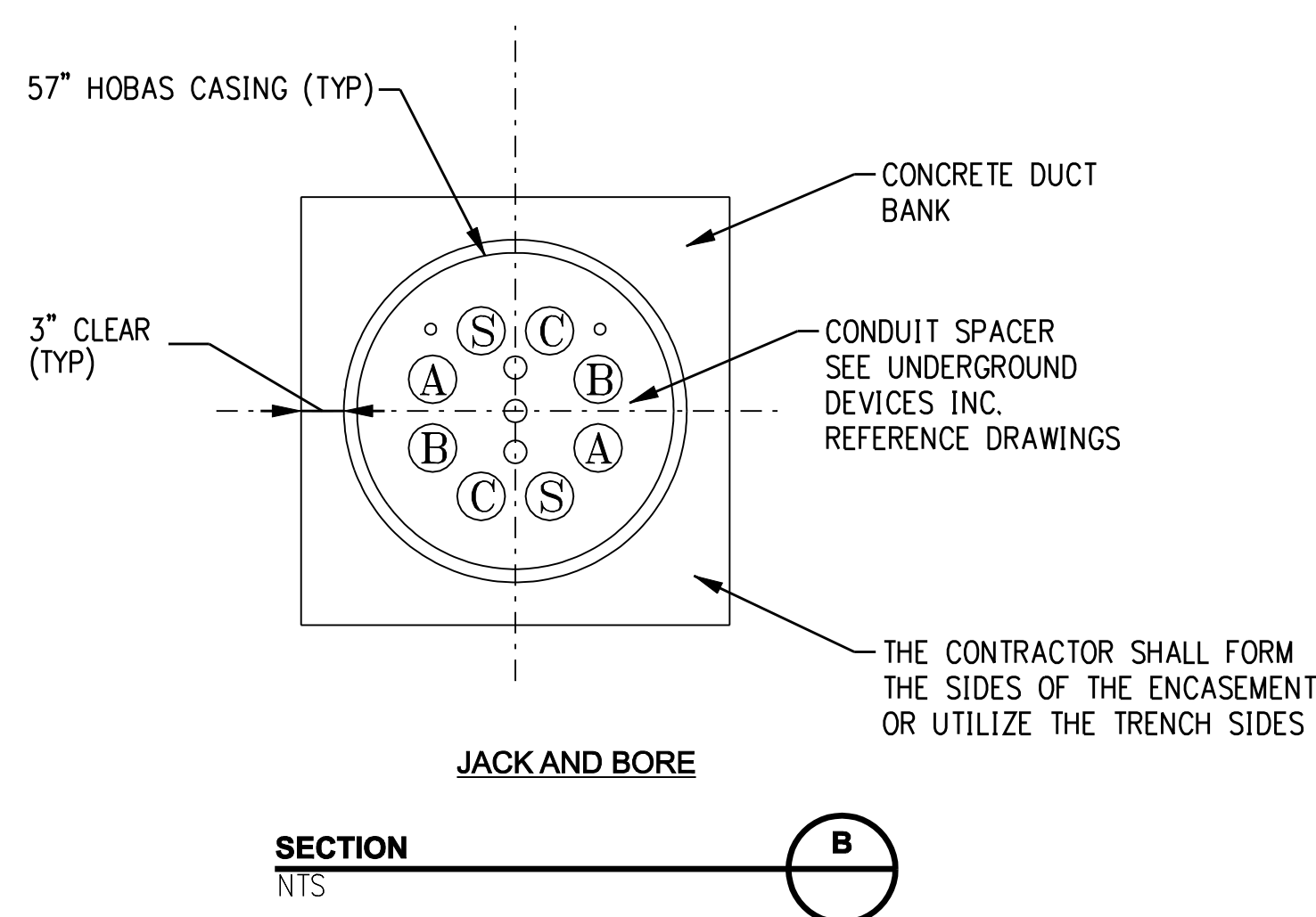
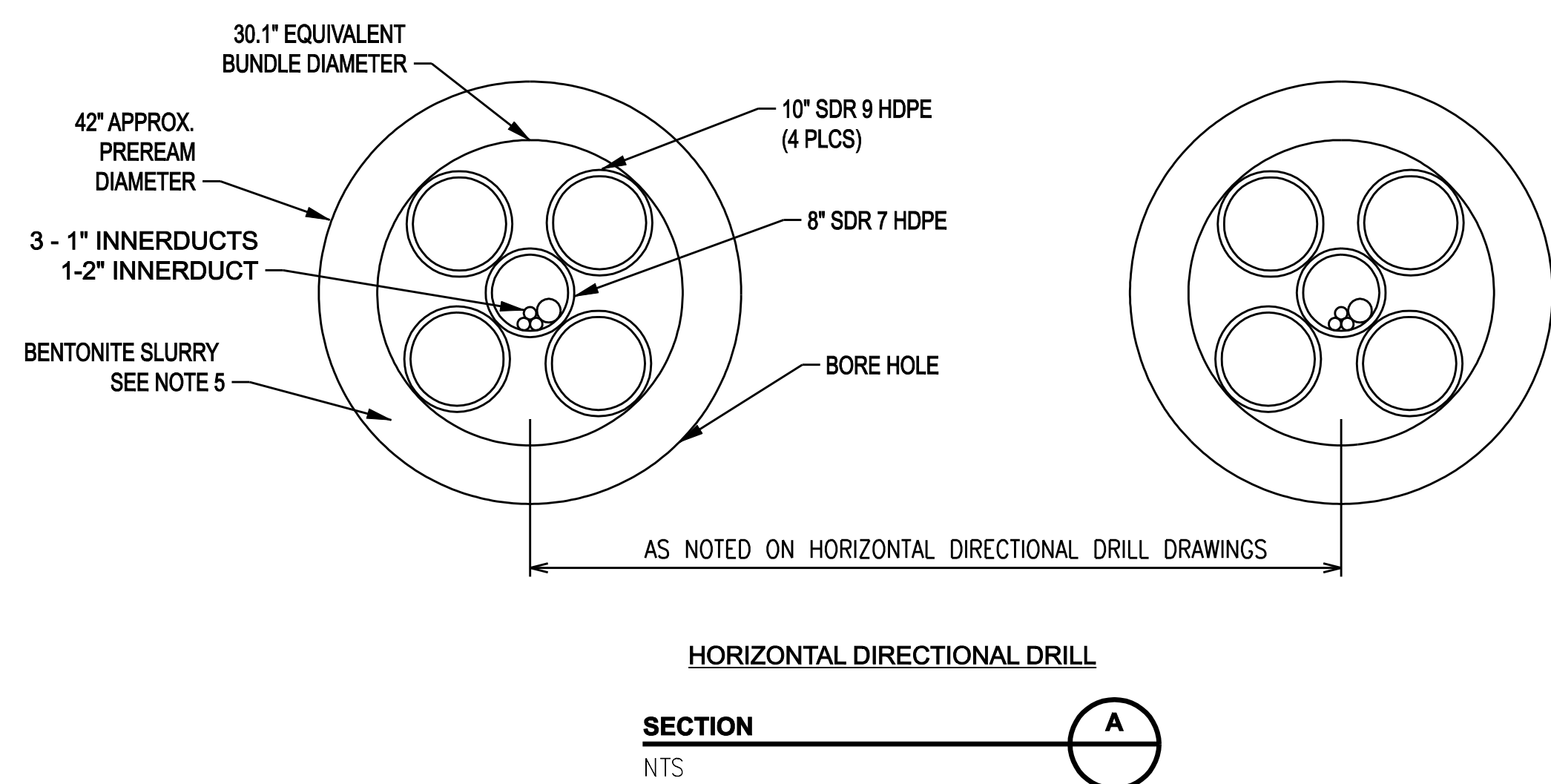
MF	NO.	DATE	REVISIONS	BY	CHK	APP	APP

NORTHEAST UTILITIES SERVICE CO.

FOR THE CONNECTICUT LIGHT & POWER COMPANY

TITLE MIDDLETOWN-NORWALK 345KV TRANSMISSION PROJECT
 CABLE AND TEMPERATURE MONITORING DETAILS

BY SEN-BMCD	CHKD	APP	APP
DATE 11-09-05	DATE	DATE	DATE
SCALE AS NOTED	D	DWG. NO. 01224-46003	PG 005



NOTES:

1. ALL CASING SHALL BE COMPLETELY FILLED WITH A THERMALLY ACCEPTABLE GROUT. GROUT MIX DESIGN SHALL MEET PROJECT SPECIFICATIONS.
2. GROUT SAMPLES SHALL BE SUBMITTED TO THE TEST COMPANY (CONTACT TEST COMPANY FOR APPROPRIATE SIZE & METHOD OF TRANSPORTATION) IN ACCORDANCE WITH THE SPECIFICATIONS.
3. CONTRACTOR SHALL FURNISH AND INSTALL CASING PIPE SPACER. SPACERS SHALL BE INSTALLED A MAXIMUM DISTANCE OF 5 FEET APART. SPACERS SHALL BE INSTALLED PER MANUFACTURES RECOMMENDATIONS.
4. CONTRACTOR SHALL SUBMIT DETAILED DESIGN OF EACH BORED CROSSING FOR REVIEW, INCLUDING AS A MINIMUM WORK PLAN, EQUIPMENT AND MATERIALS TO BE USED, WORK AREAS, BORE PIT SIZES AND LOCATIONS.
5. BENTONITE SLURRY SAMPLES SHALL BE SUBMITTED TO THE TEST COMPANY (CONTACT TEST COMPANY FOR APPROPRIATE SIZE & METHOD OF TRANSPORTATION) IN ACCORDANCE WITH THE SPECIFICATIONS.

DOCKET No. 272

ISSUED FOR CONSTRUCTION

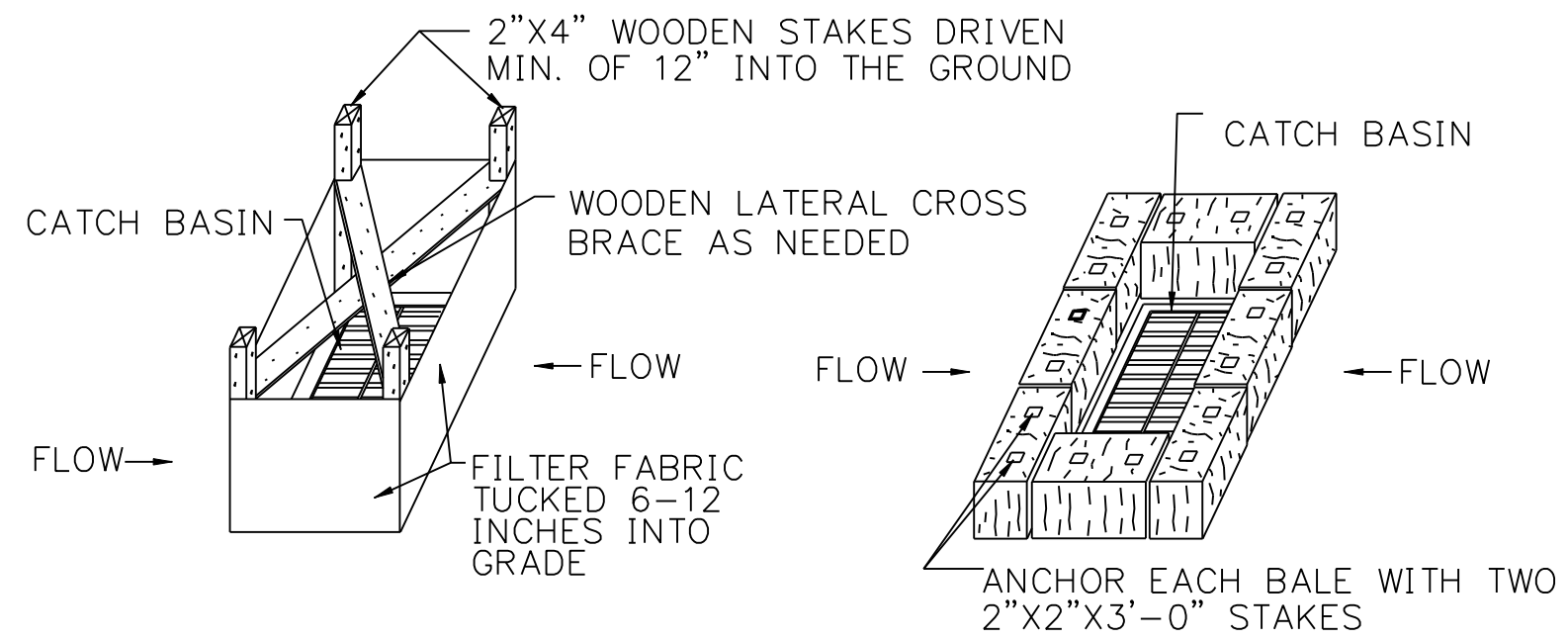
no.	date	revisions	by	chk
1	5/10/07	ISSUED CSC REVISED	CTC	

Burns & McDonnell
SINCE 1898

date 6/15/06
 detailed L. ROWSE
 designed C. COURTRIGHT
 checked S. NEWLAND

MF	NO.	DATE	REVISIONS	BY	CHK	APP	APP

NORTHEAST UTILITIES SERVICE CO.			
FOR THE CONNECTICUT LIGHT & POWER COMPANY			
TITLE MIDDLETOWN-NORWALK 345KV TRANSMISSION PROJECT HORIZONTAL DIRECTIONAL DRILL AND JACK AND BORE SECTIONS			
BY SEN-BMCD	CHKD	APP	APP
DATE 6/15/06	DATE	DATE	DATE
SCALE AS NOTED	D	DWG. NO. 01224-46003	PG 006



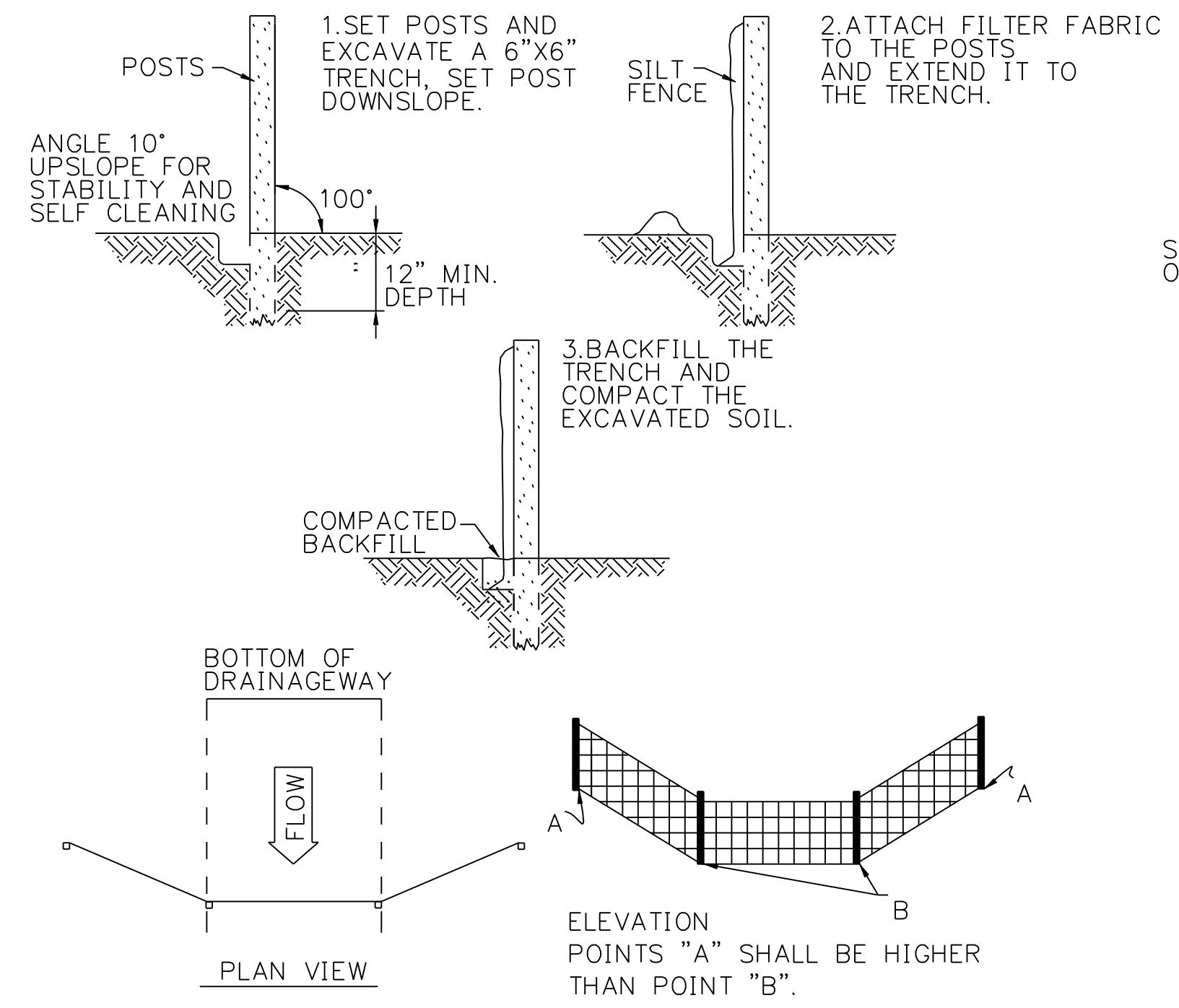
SILT FENCE INSTALLATION AT CATCH BASINS AT LOW POINTS

HAY BALE FILTER INSTALLATION AT CATCH BASIN AT LOW POINTS

STORMWATER INLETS WHICH DO NOT DISCHARGE TO SEDIMENT TRAPS OR BASINS, SHALL BE PROTECTED UNTIL THE TRIBUTARY AREAS ARE STABILIZED. SEDIMENT SHALL BE REMOVED FROM INLET PROTECTION AFTER EACH STORM EVENT.

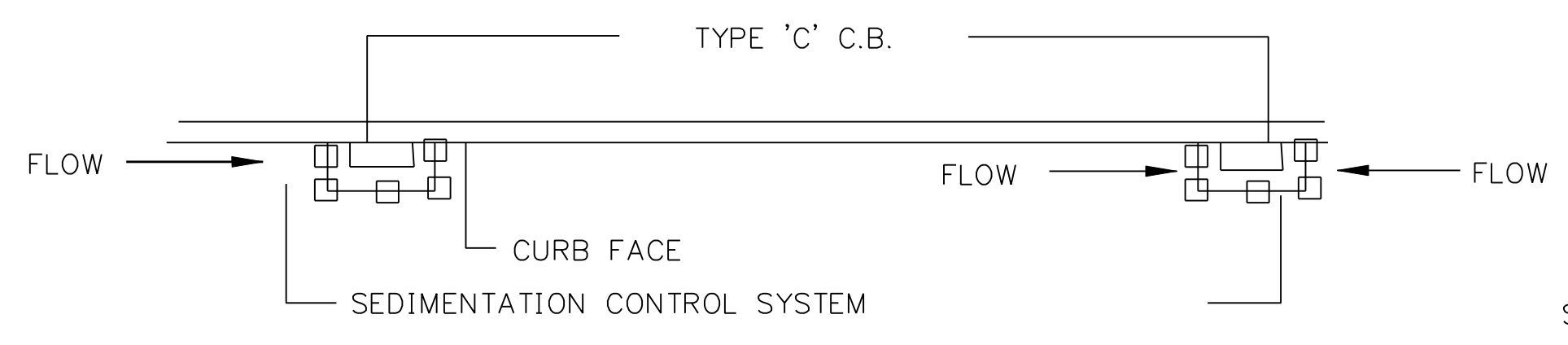
CATCH BASIN EROSION CONTROL

DETAIL NTS 1



GEOTEXTILE SILT FENCE BARRIER W/OUT HAYBALES

DETAIL NTS 6

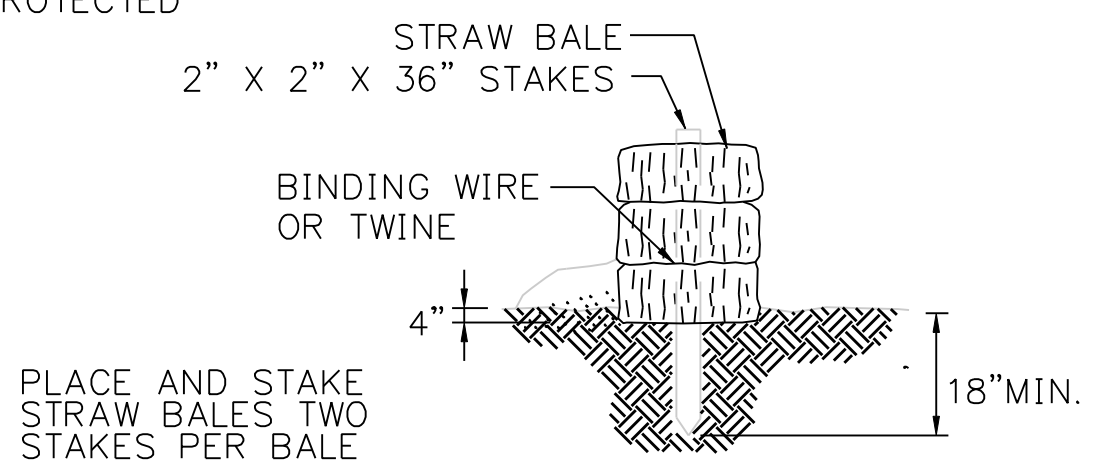


PLAN FOR TYPE 'C' C.B (ON GRADE)

PLAN FOR TYPE 'C' CB (AT LOW POINT)

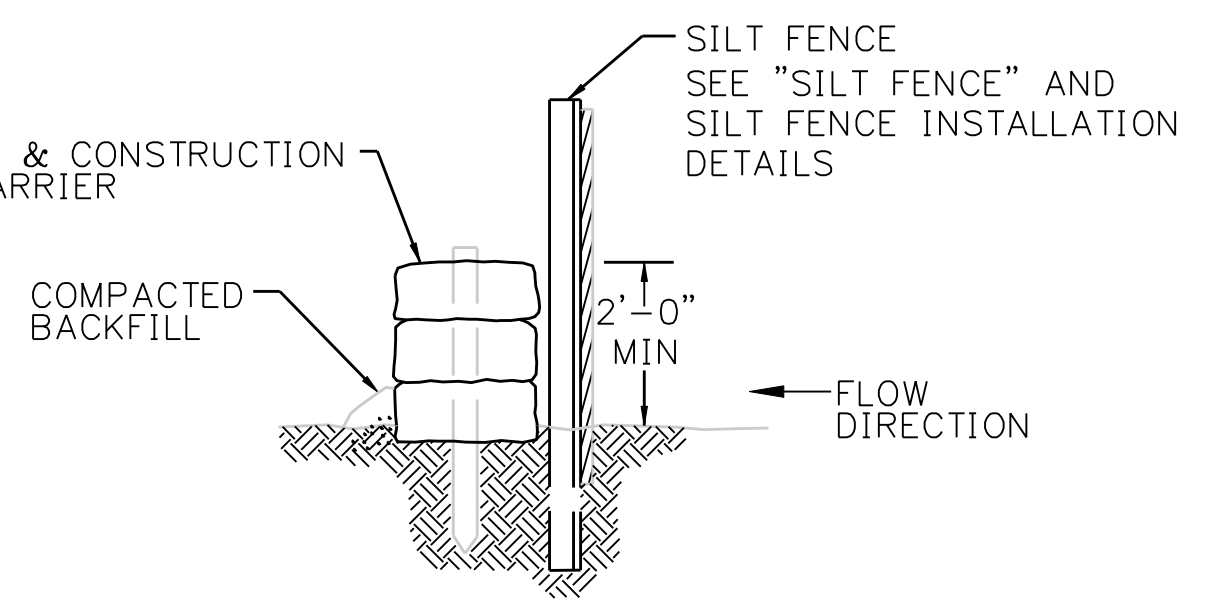
NOTE: SEDIMENTATION CONTROL SYSTEMS SHALL BE LOCATED AT ALL EXISTING OR PROPOSED BASINS WHICH ACCEPT FLOW FROM THE CONSTRUCTION AREA UNTIL TURF ESTABLISHMENT OR AS DIRECTED BY THE ENGINEER.

DETAIL NTS 2



STRAW BALE BARRIERS SHALL NOT BE USED FOR MORE THAN 3 MONTHS. SEDIMENT SHALL BE REMOVED WHEN ACCUMULATIONS REACH 1/3 THE ABOVE GROUND HEIGHT OF THE BARRIER. ANY SECTION OF STRAW BALE BARRIER WHICH HAS BEEN UNDERMINED OR TOPPED SHALL BE IMMEDIATELY REPLACED WITH A ROCK FILTER OUTLET.

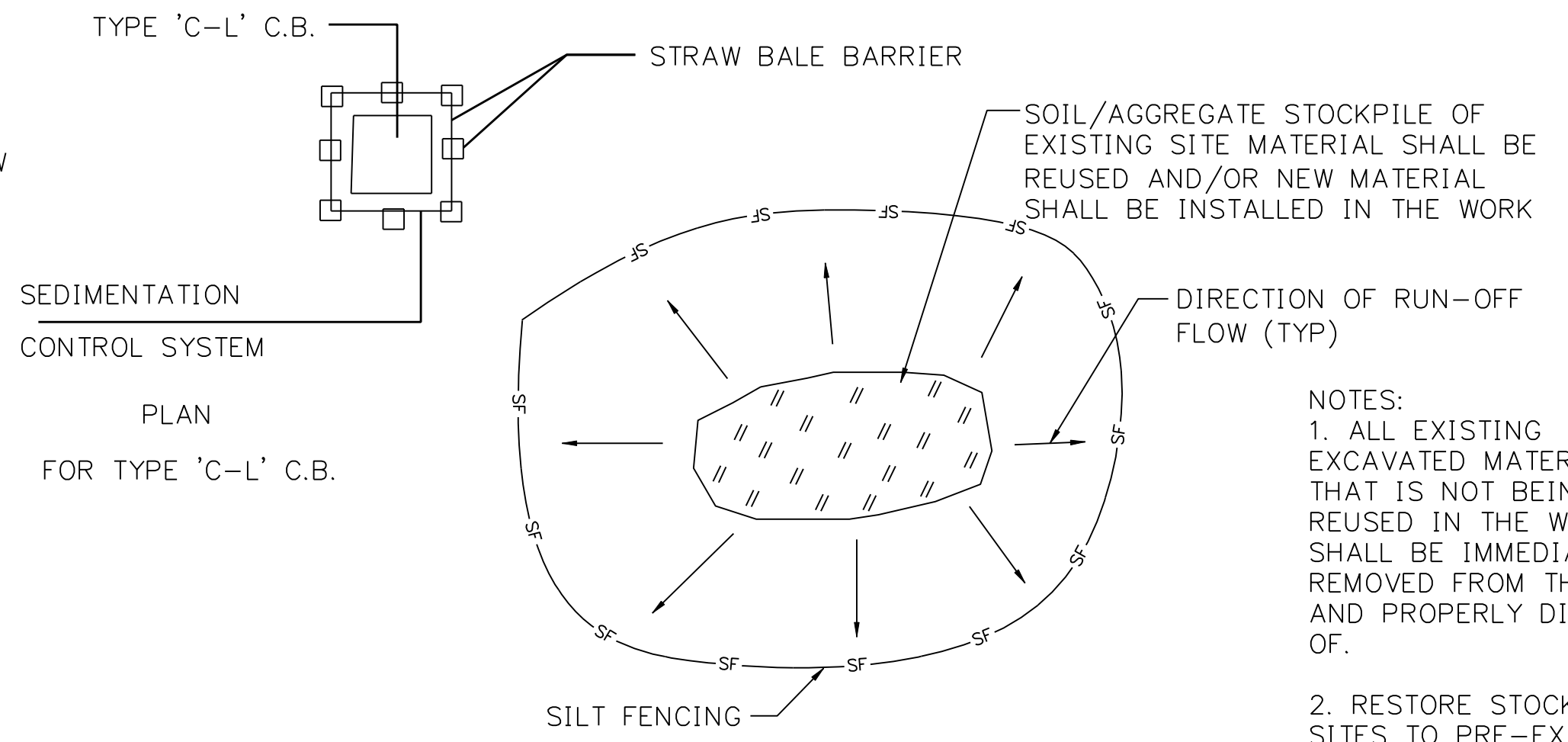
DETAIL NTS 4



GEOTEXTILE SILT FENCE BARRIER W/ HAYBALES

DETAIL NTS 7

BACKFILL AND COMPACT THE EXCAVATED SOIL AS SHOWN ON THE UPHILL SIDE OF THE BARRIER TO PREVENT PIPING



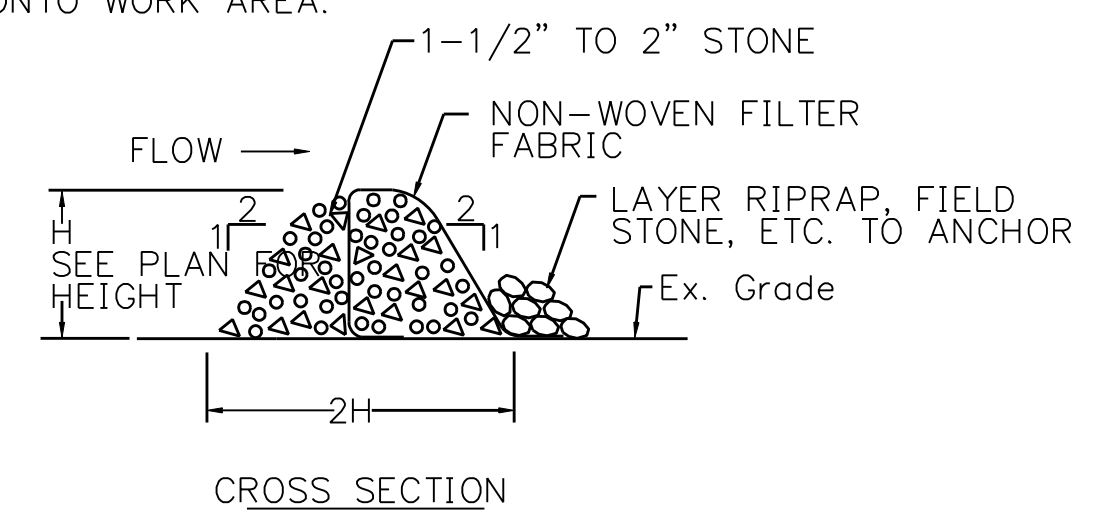
PLAN FOR TYPE 'C-L' C.B.

MATERIALS STOCKPILE

DETAIL NTS 3

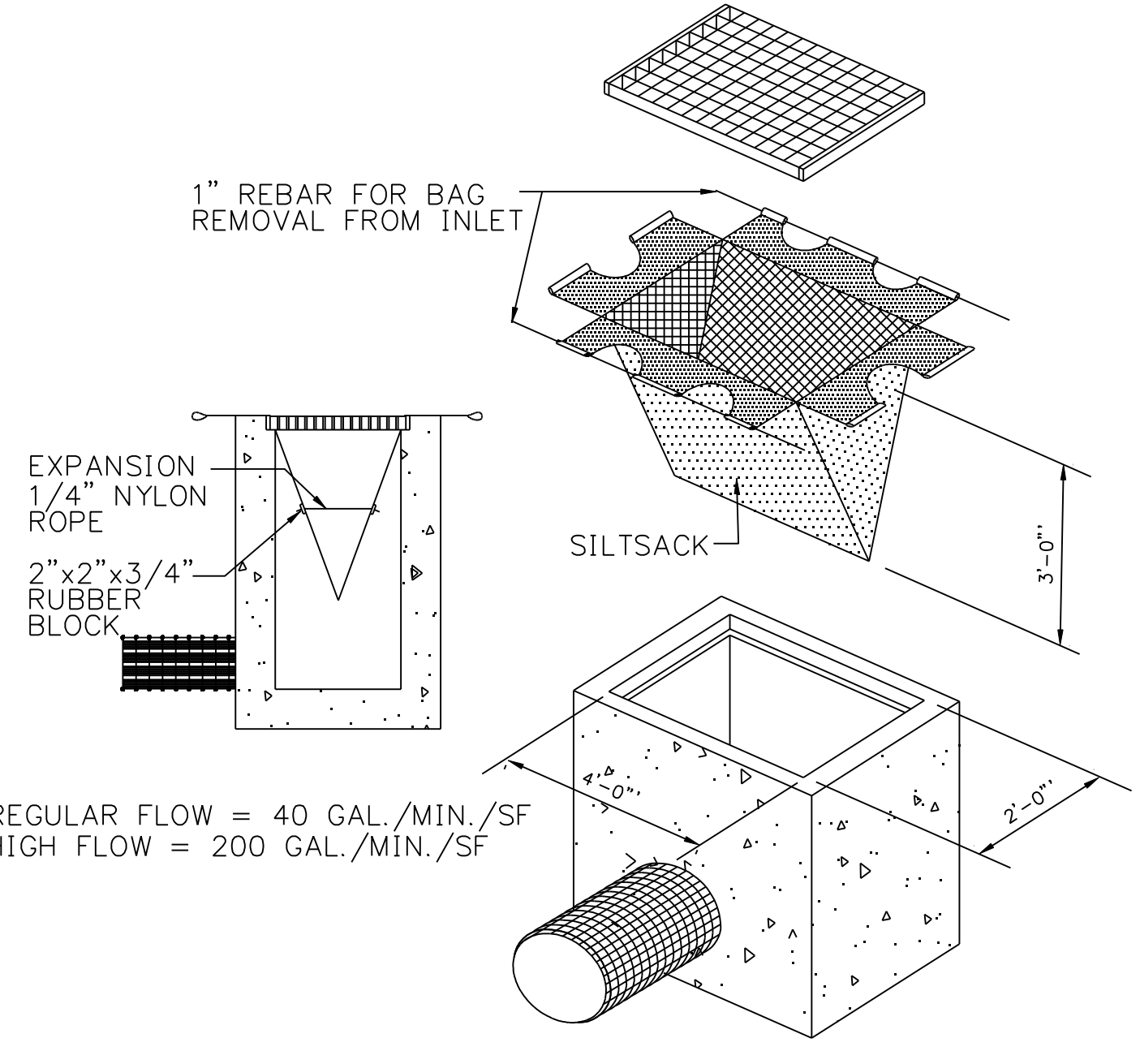
NOTES:
1. ALL EXISTING EXCAVATED MATERIAL THAT IS NOT BEING REUSED IN THE WORK SHALL BE IMMEDIATELY REMOVED FROM THE SITE AND PROPERLY DISPOSED OF.
2. RESTORE STOCKPILE SITES TO PRE-EXISTING PROJECT CONDITION AND RESEED AS REQUIRED.
3. STOCKPILE HEIGHTS SHALL NOT EXCEED 35'. STOCKPILE SLOPES SHALL BE 2:1 OR FLATTER.

NOTE: USE FOR IN-STREAM OR SWALE SEDIMENT INTERCEPTION. LOCATE NOT TO BACKWATER ONTO WORK AREA.



STONE FILTER BERM W/ FILTER FABRIC

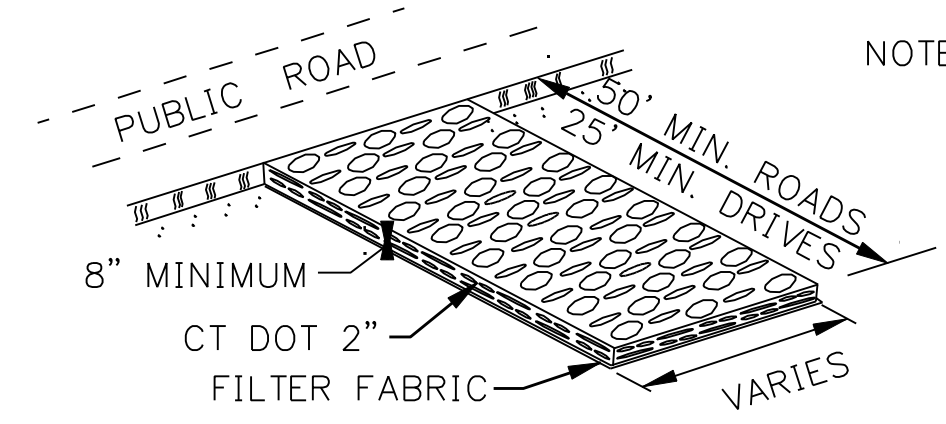
DETAIL NTS 5



NOTE: REGULAR FLOW = 40 GAL./MIN./SF
HIGH FLOW = 200 GAL./MIN./SF

SILTSACK

DETAIL NTS 9



CONSTRUCTION ENTRANCE

DETAIL NTS 8

ISSUED FOR CONSTRUCTION

DOCKET No. 272



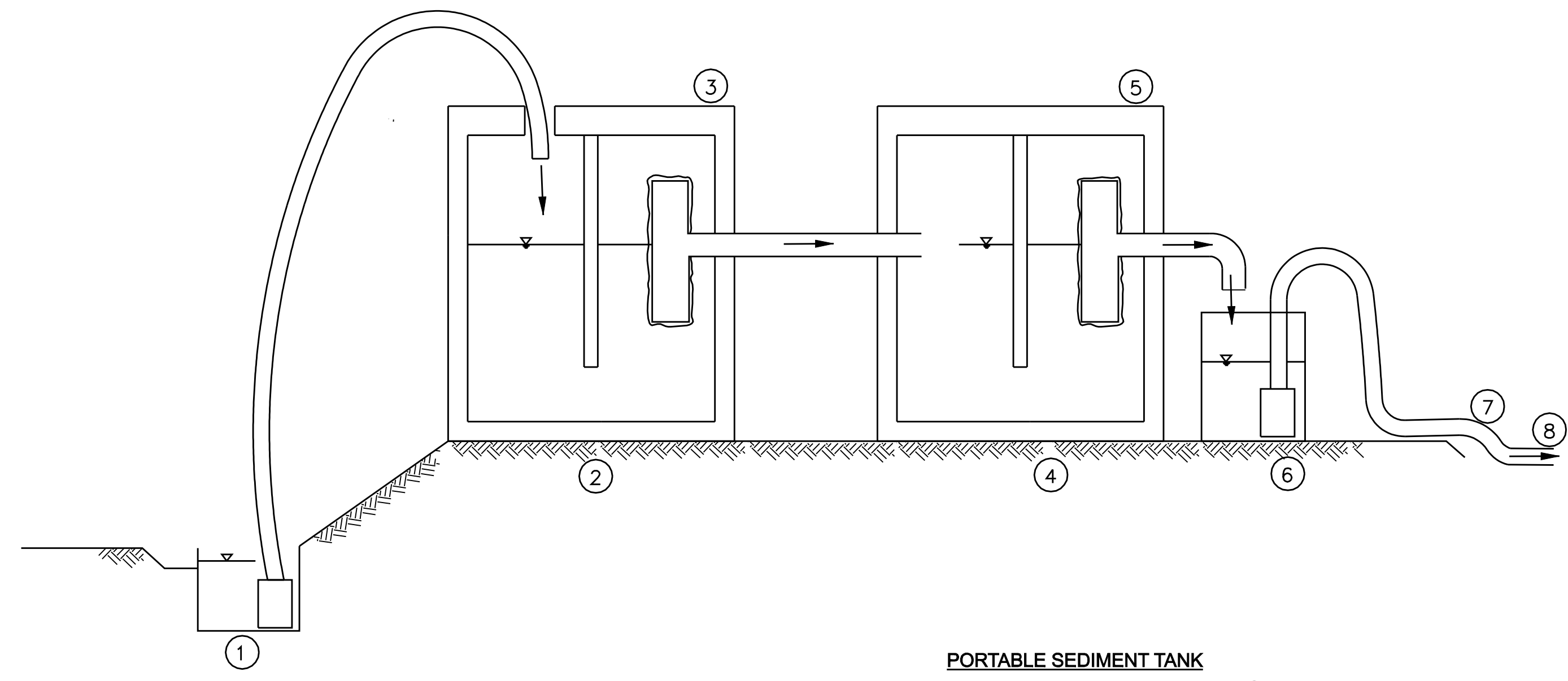
date 10/11/05
designed BL COMPANIES
checked S. NEWLAND

no.	date	revisions	by	chk
1	5/10/07	ISSUED CSC REVISED	CTC	

MF	NO.	DATE	REVISIONS	BY	CHK	APP	APP

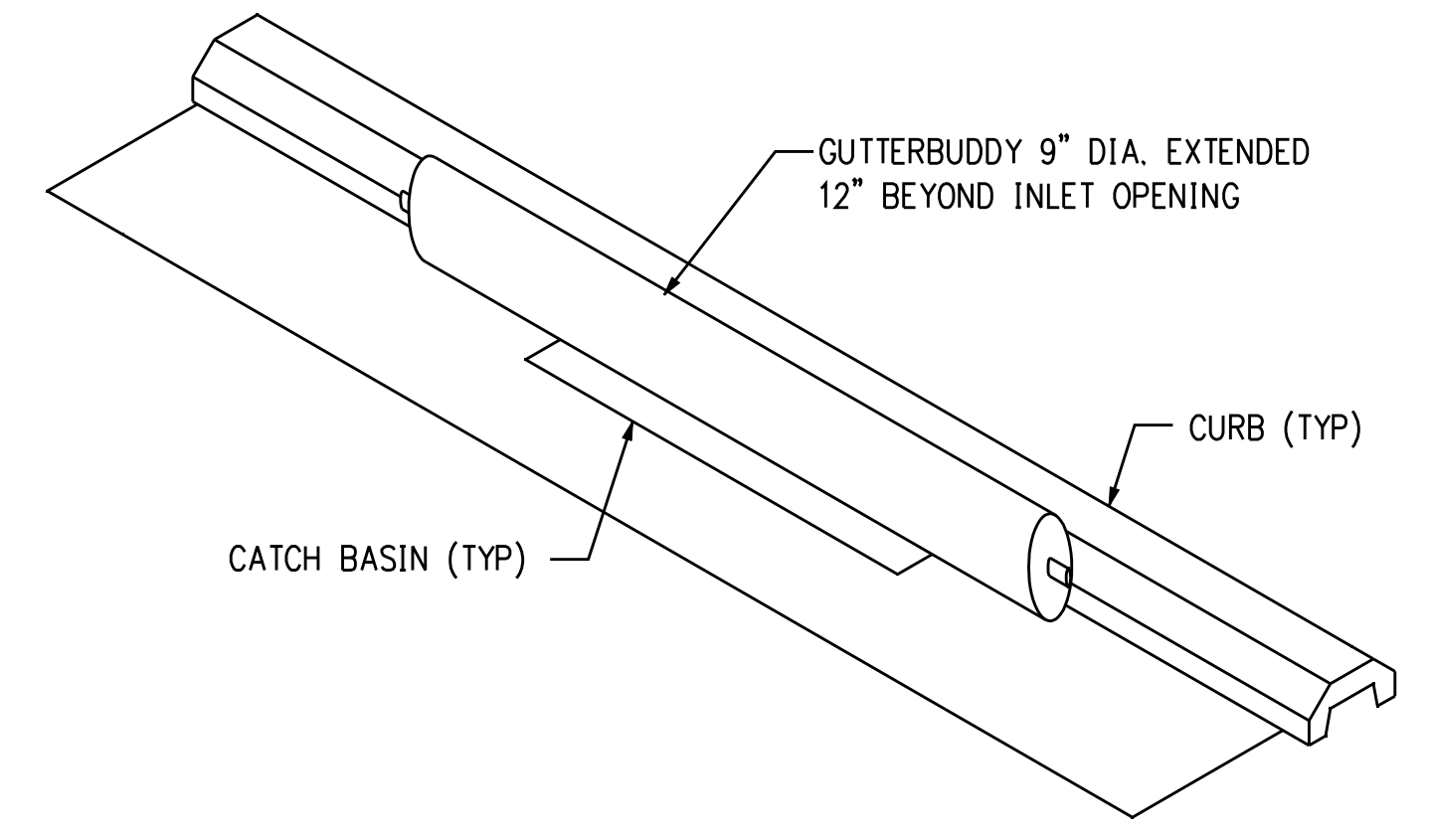
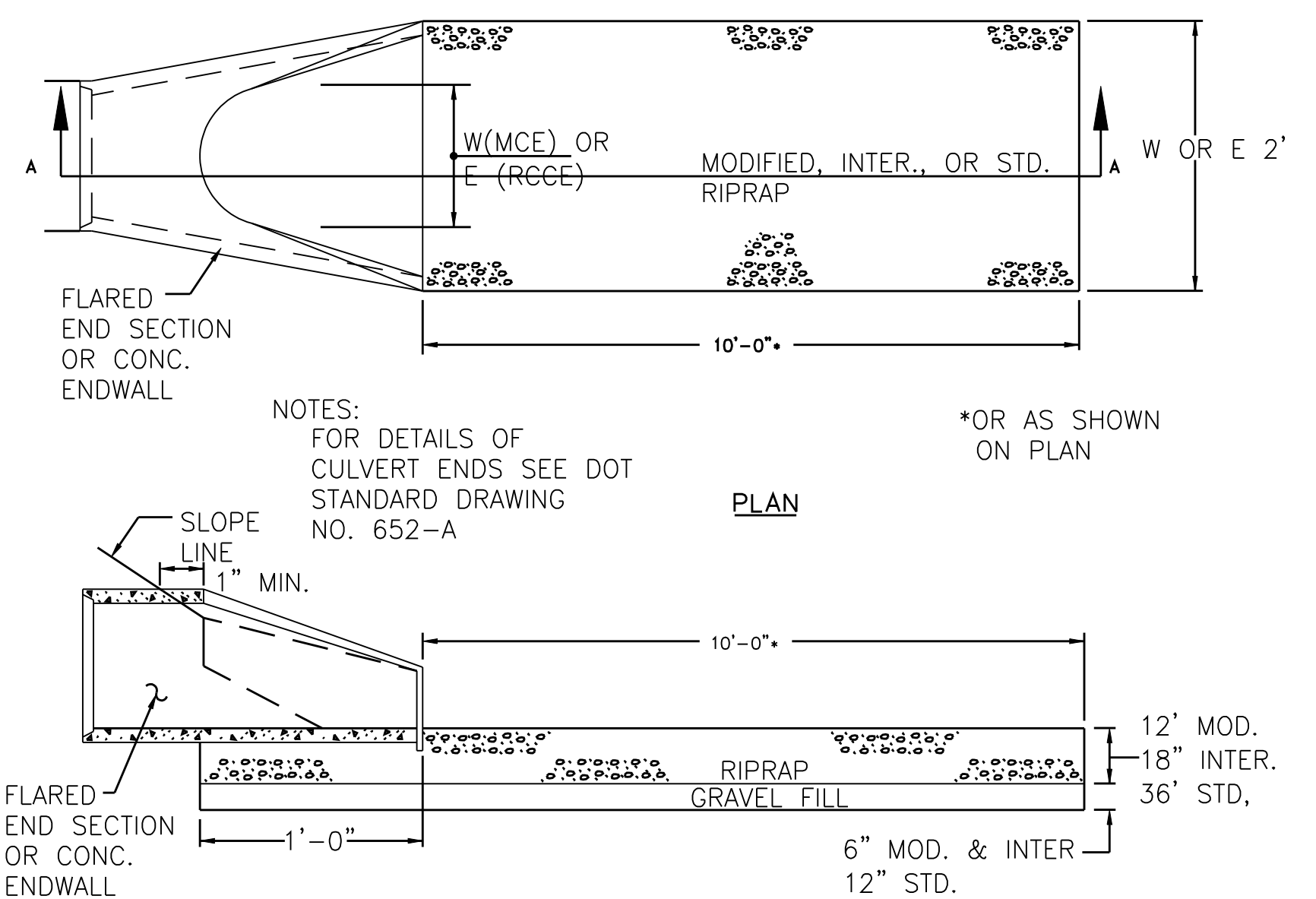
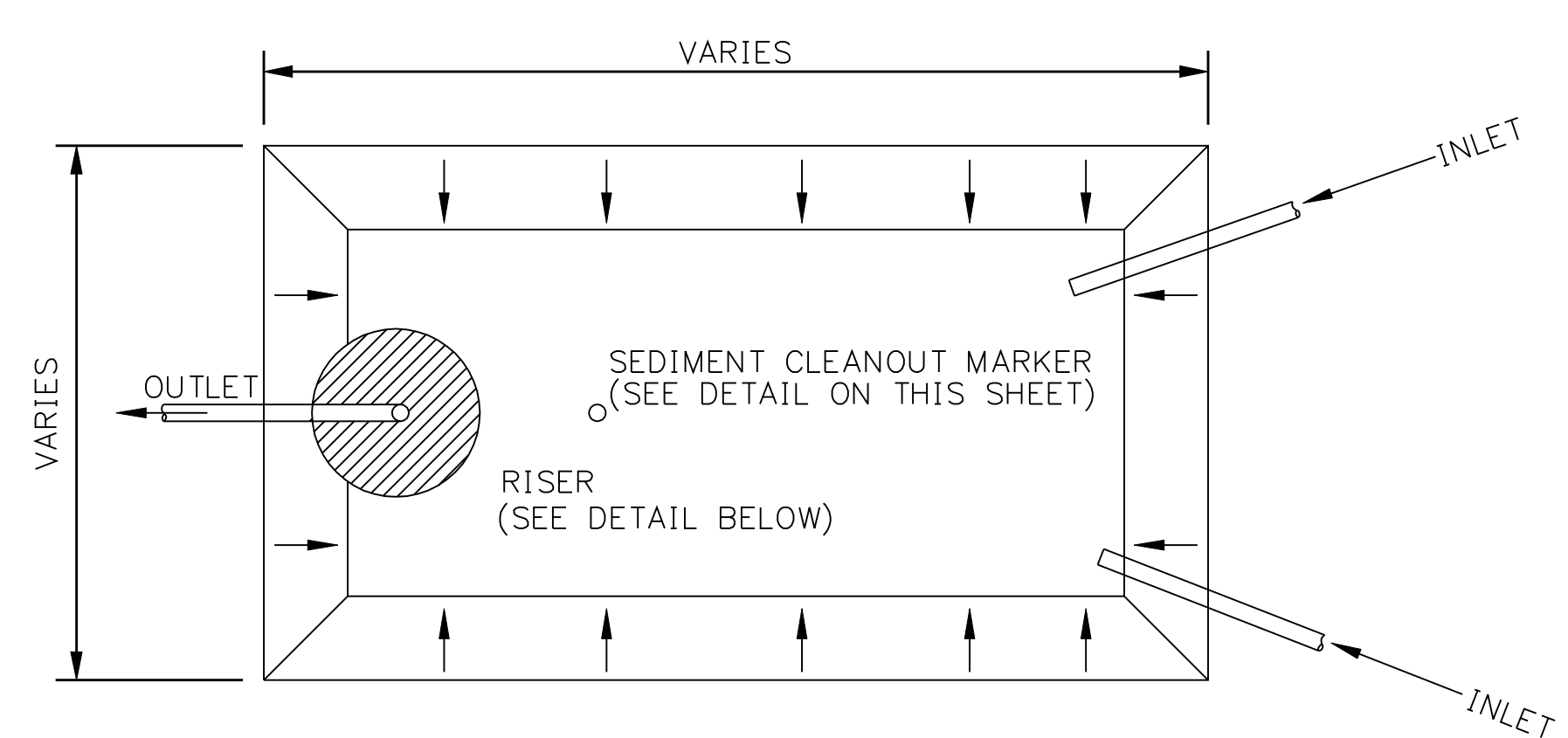
NORTHEAST UTILITIES SERVICE CO.			
FOR THE CONNECTICUT LIGHT & POWER COMPANY			
TITLE MIDDLETOWN-NORWALK 345KV TRANSMISSION PROJECT			
EROSION CONTROL DETAILS			
BY SEN-BMCD	CHKD	APP	APP
DATE 10-11-05	DATE	DATE	DATE
SCALE AS NOTED	D	DWG. NO.	01223-15003 PG 001

COPYRIGHT © 2007 BURNS & MCDONNELL ENGINEERING COMPANY, INC.

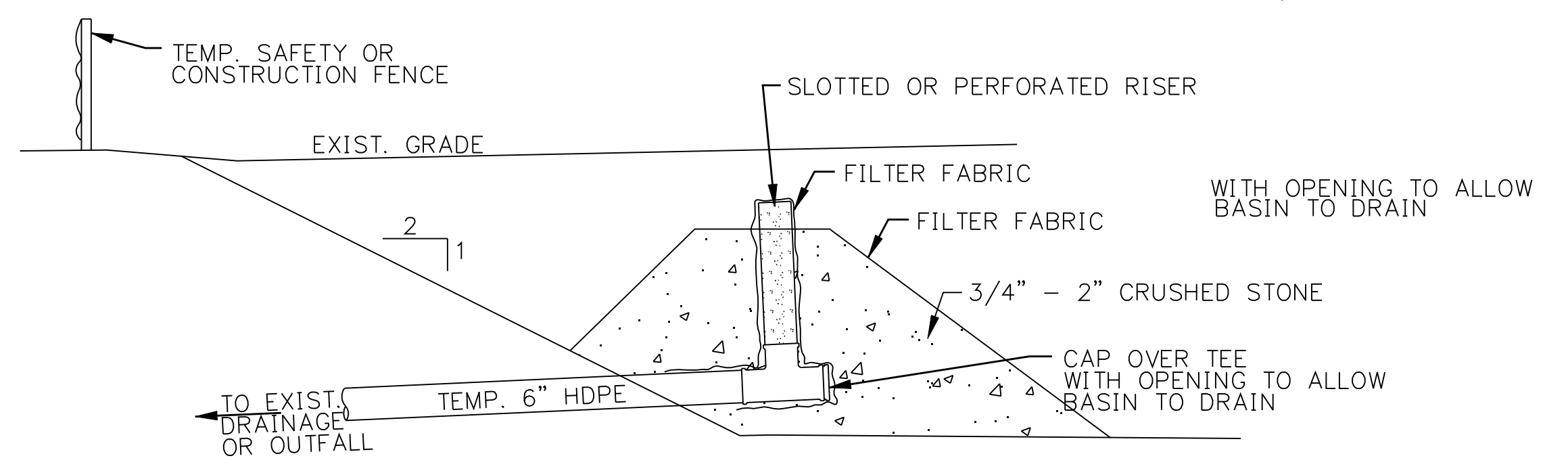


- NOTES
- ①. 20 GPM TRASH PUMP DEWATERS FOUNDATION EXCAVATION
 - ②. MUDDY WATER DISCHARGES TO 1,250 GAL SEPTIC TANK (OR DET. OUTLET STRUCTURE)
 - ③. 4" TEE OUTLET WRAPPED W/ FILTER FABRIC
 - ④. 1,250 GAL CLEAR WELL
 - ⑤. 2ND 4" TEE OUTLET WRAPPED W/ FILTER FABRIC
 - ⑥. 2ND PUMP IN 55 GAL DRUM (OR GRAVITY HOSE) DRAINS SYSTEM
 - ⑦. TEMP. OUTLET TO CATCH BASIN IN STREET
 - ⑧. 2-1,250 GAL. TANKS = 2,500 GAL. CAPACITY TOTAL

PORTABLE SEDIMENT TANK
DETAIL NTS 1



GUTTERBUDDY STORM DRAIN
DETAIL NTS 4



TEMPORARY SEDIMENT TRAP
DETAIL NTS 2

RIPRAP TYPE "T" (INCHES)	THICKNESS (INCHES)
INTERMEDIATE	18
MODIFIED	12
STANDARD	36

LEVEL SPREADER
DETAIL NTS 3

ISSUED FOR CONSTRUCTION

no.	date	revisions	by	chk
1	5/10/07	ISSUED CSC REVISED		CTC

Burns & McDonnell
SINCE 1898

date: 11/09/05
 detailed: BL COMPANIES
 designed: BL COMPANIES
 checked: S. NEWLAND

MF	NO.	DATE	REVISIONS	BY	CHK	APP	APP

NORTHEAST UTILITIES SERVICE CO.

FOR THE CONNECTICUT LIGHT & POWER COMPANY

TITLE: MIDDLETOWN-NORWALK 345KV TRANSMISSION PROJECT

EROSION CONTROL DETAILS

BY: SEN-BMCD	CHKD:	APP:	APP:
DATE: 11-09-05	DATE:	DATE:	DATE:
SCALE: AS NOTED	D	DWG. NO.:	01224-15003 PG 002