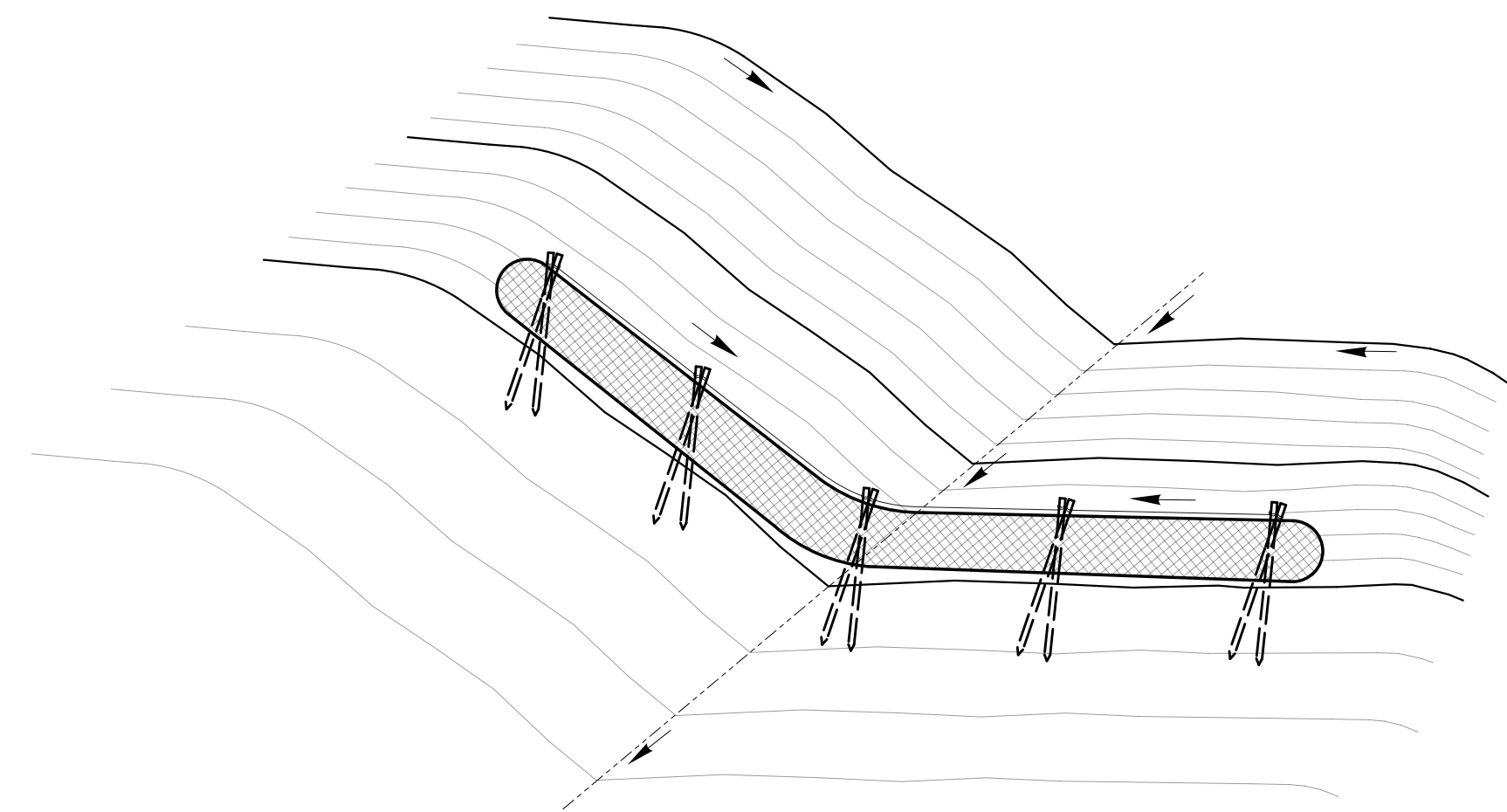
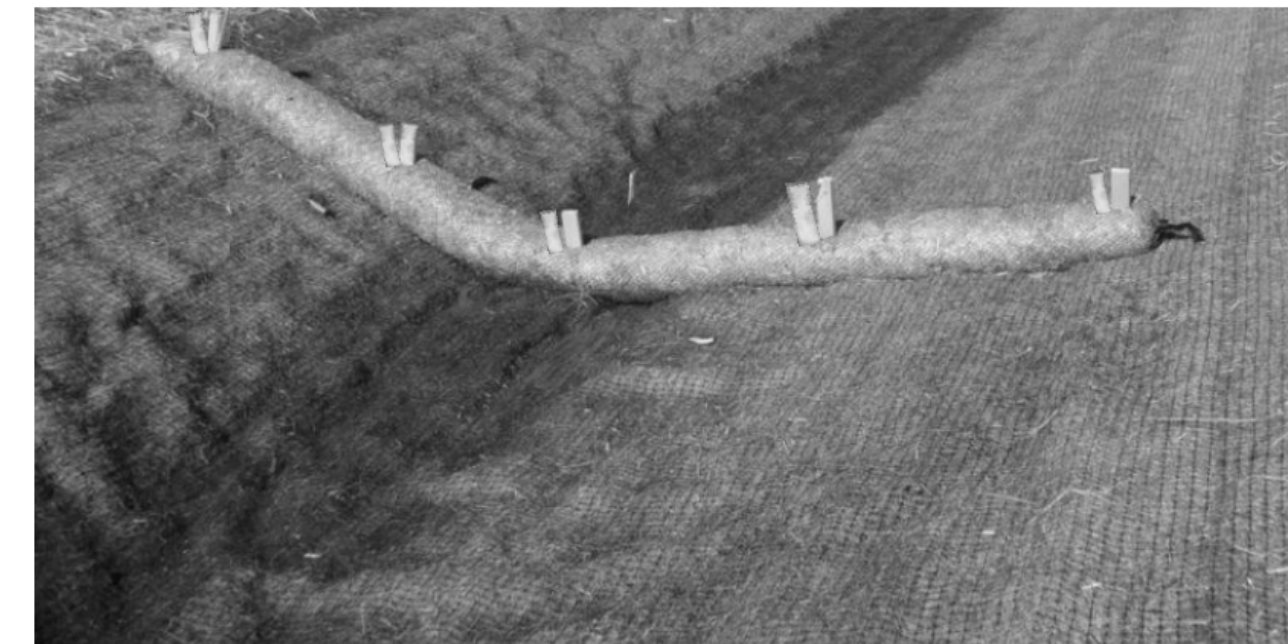


GENERAL NOTE:

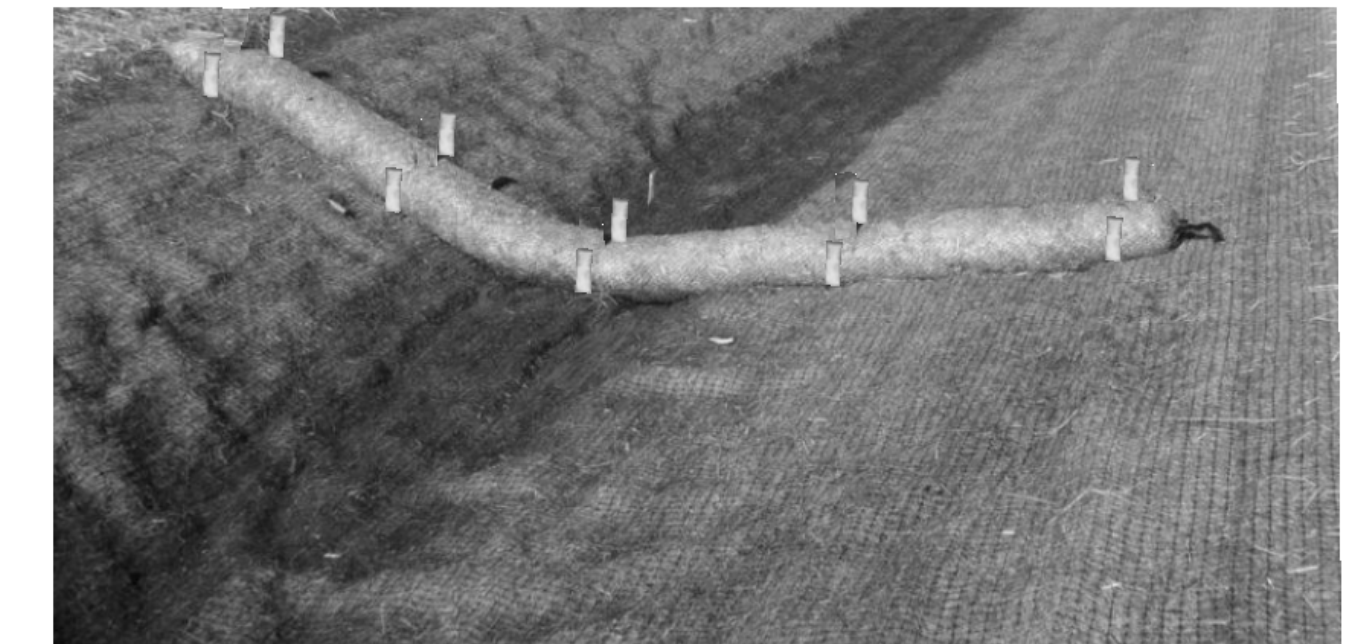
1. FIBER ROLLS SHALL BE STORED PROPERLY TO BE DRY PRIOR TO INSTALLATION.



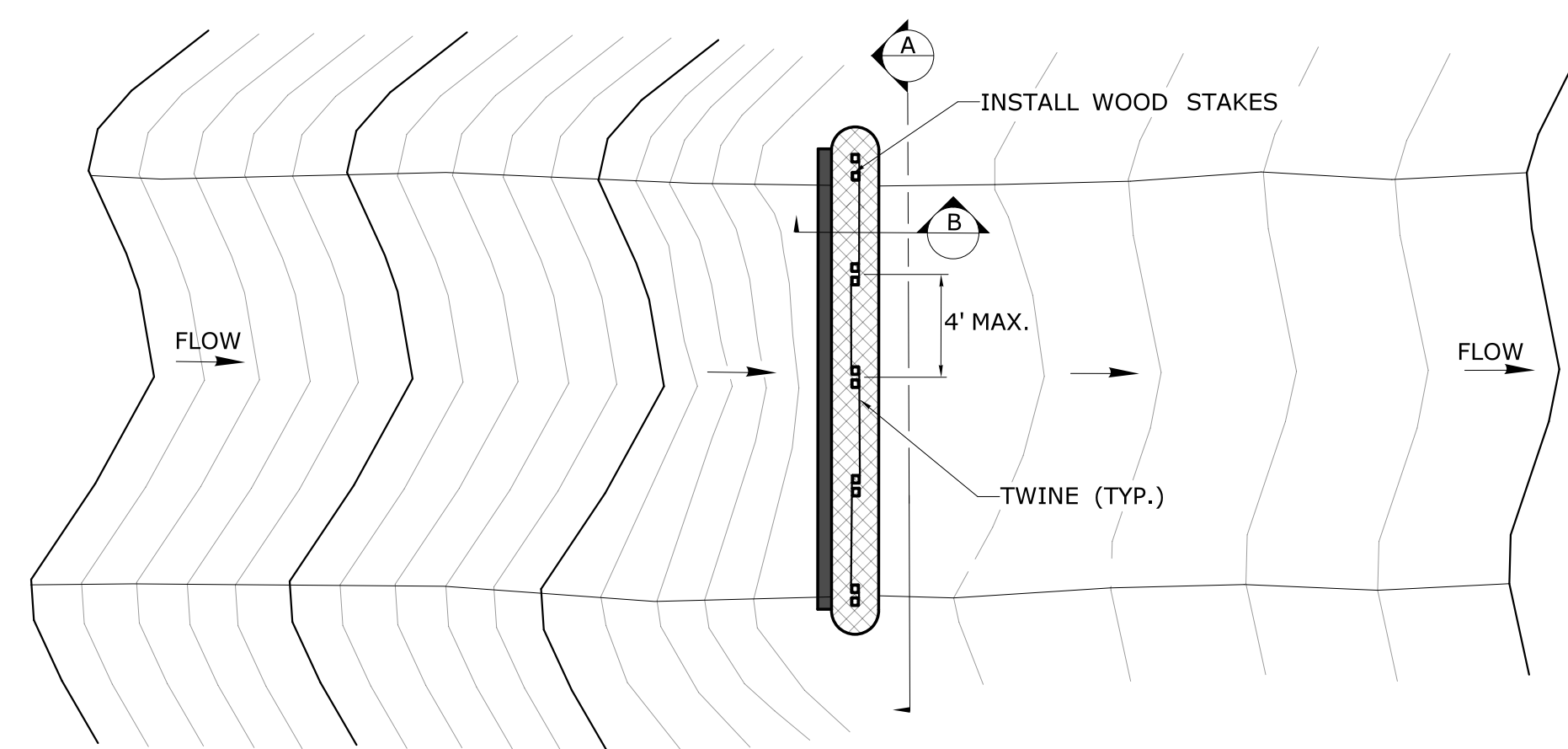
FIBER ROLL IN A CHANNEL



FIBER ROLL IN A CHANNEL

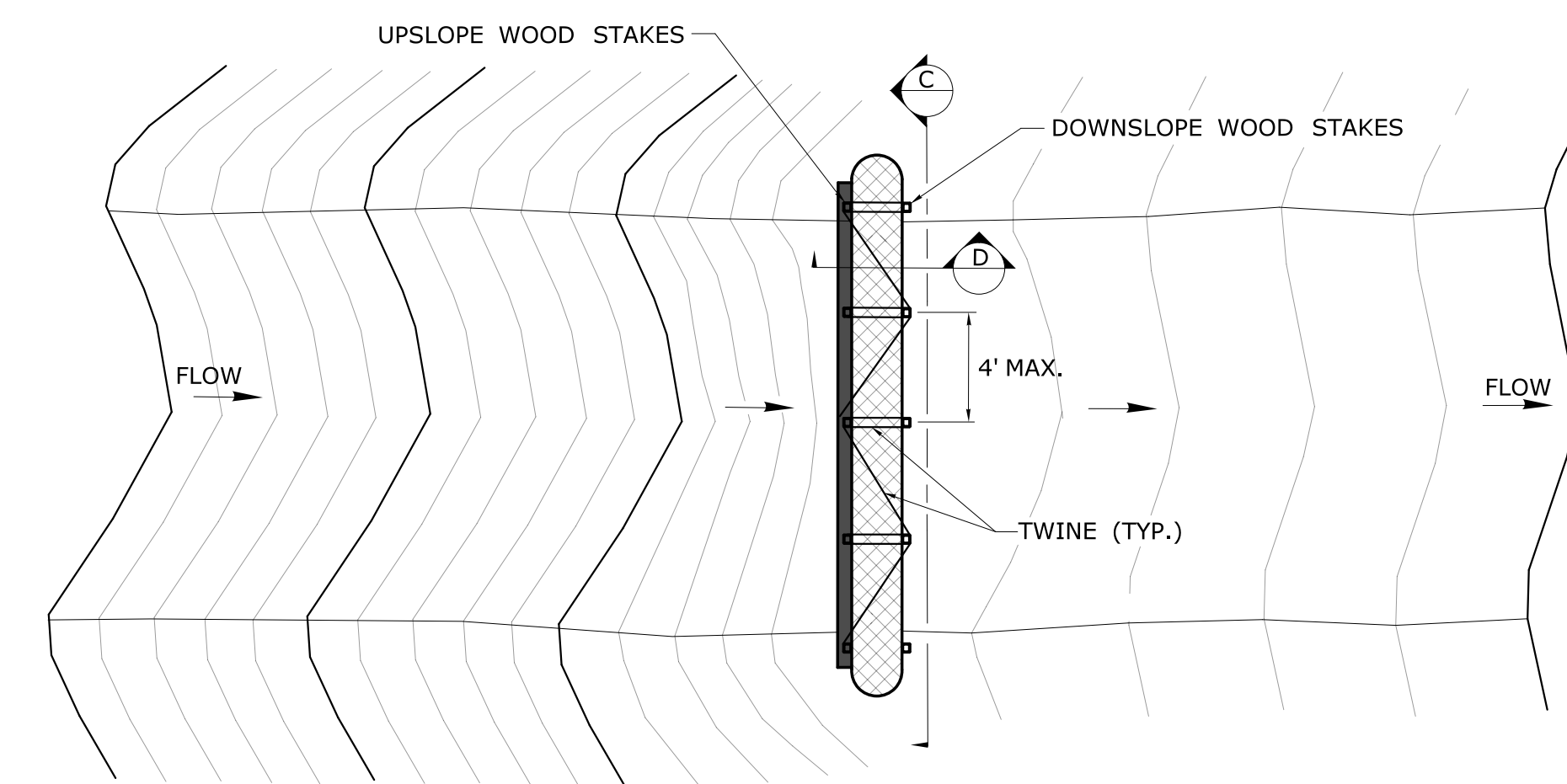


**FIBER ROLL IN A CHANNEL
(ALTERNATIVE WOOD STAKING SHOWN)**



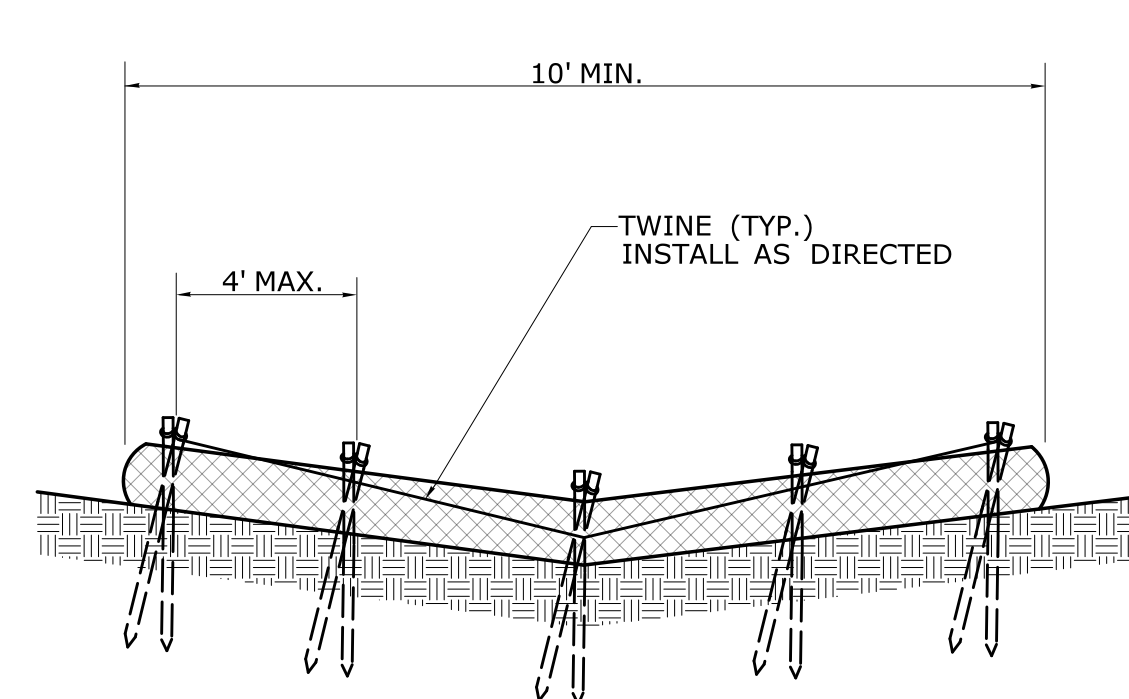
PLAN

FIBER ROLL IN A CHANNEL

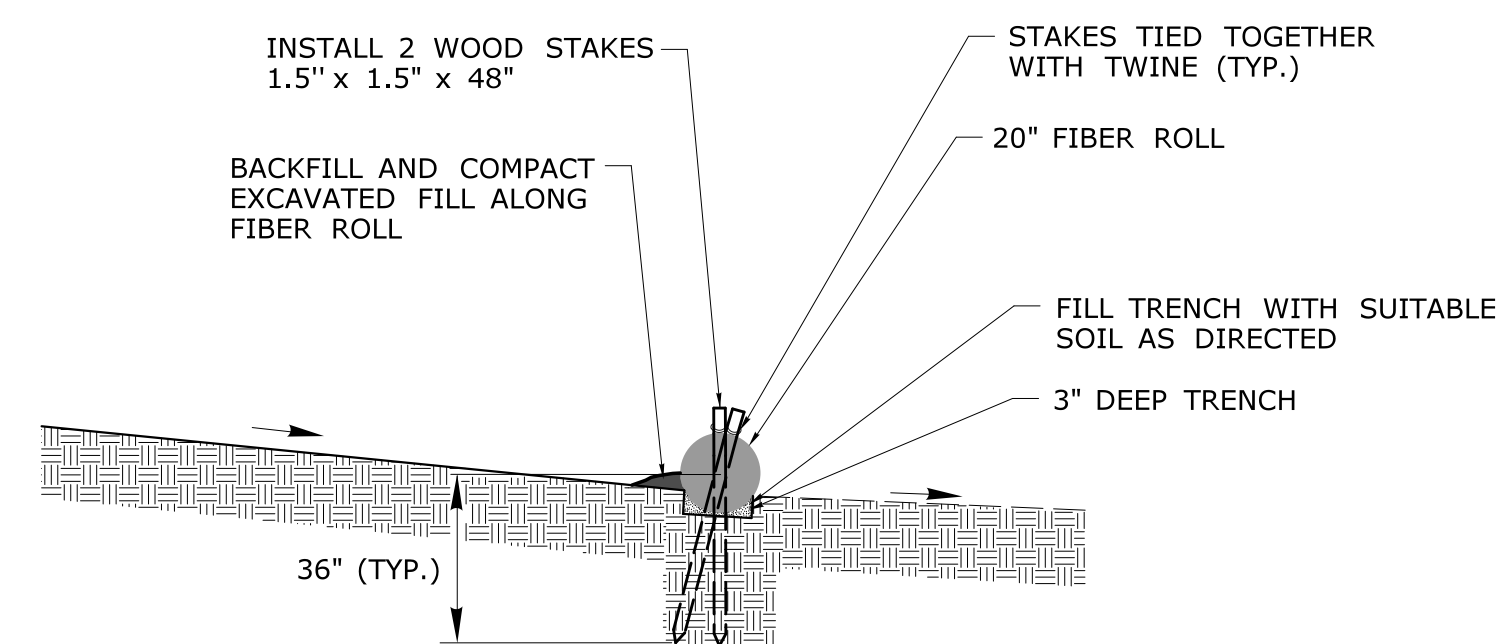


PLAN

**ALTERNATIVE WOOD STAKING PLAN
FOR FIBER ROLL IN A CHANNEL**

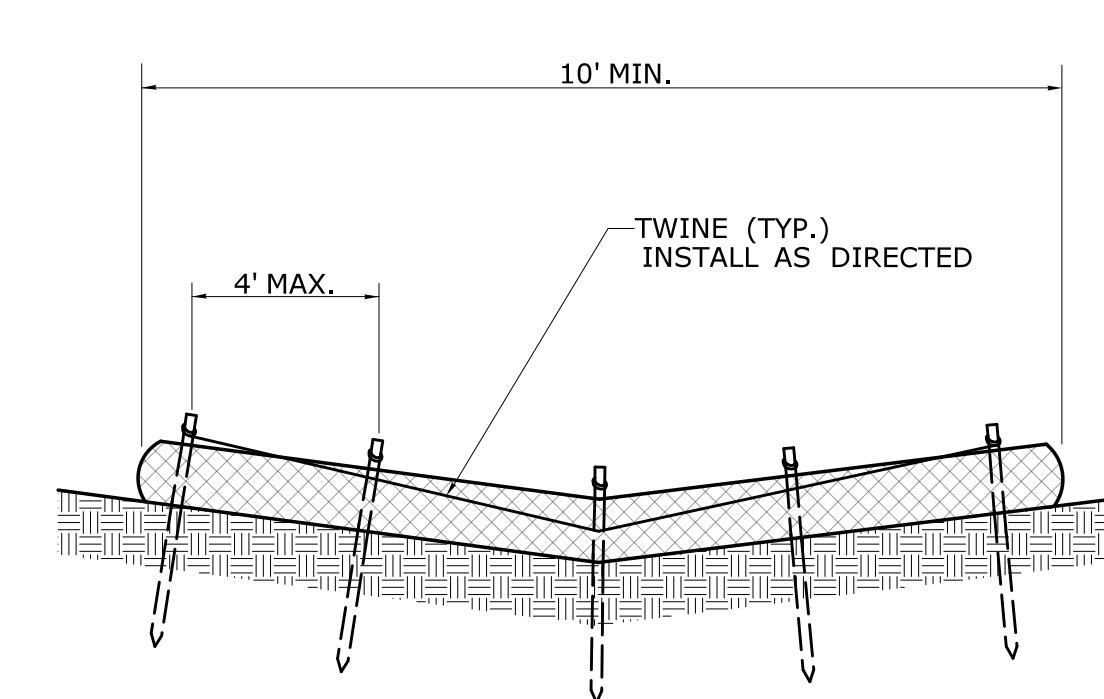


SECTION A



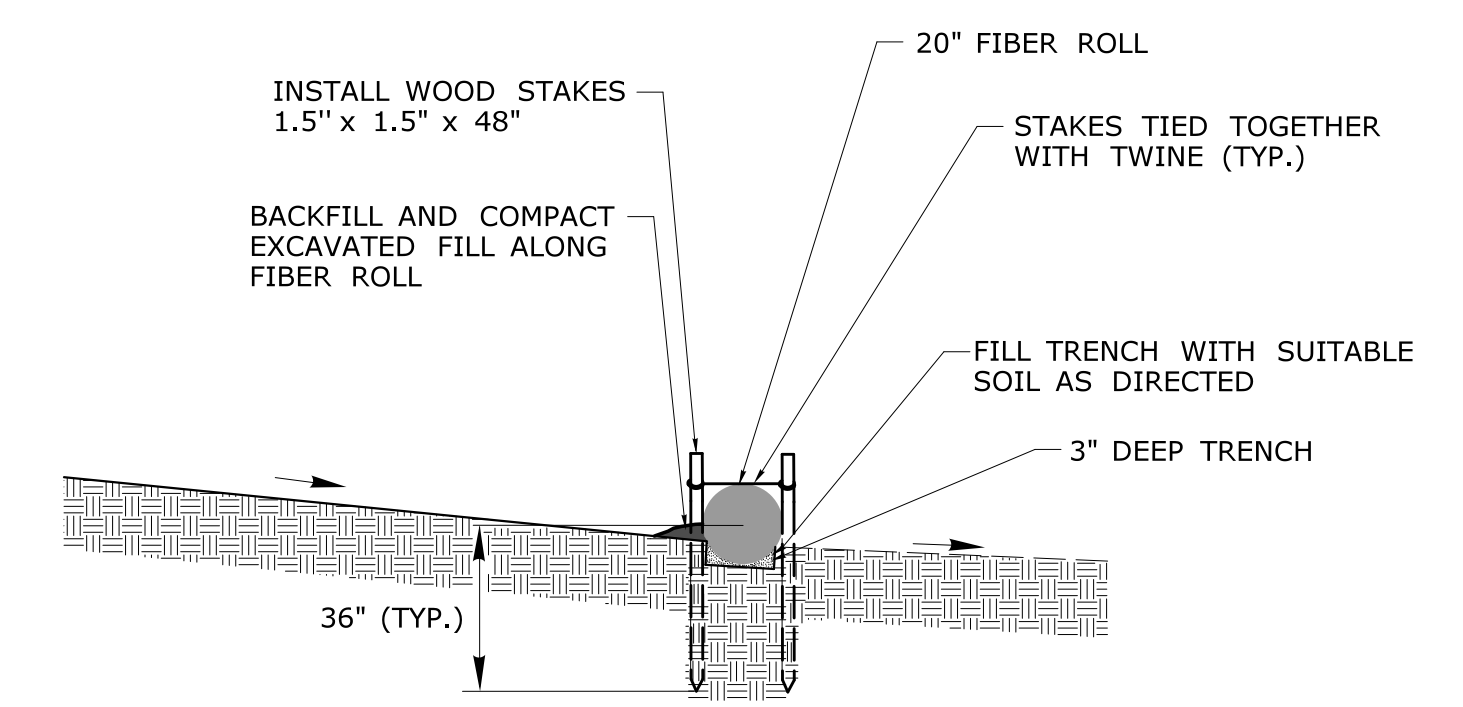
SECTION B

FIBER ROLL AT TOE OF SLOPE OR CHANNEL



SECTION C

FIBER ROLL AT TOE OF SLOPE OR CHANNEL

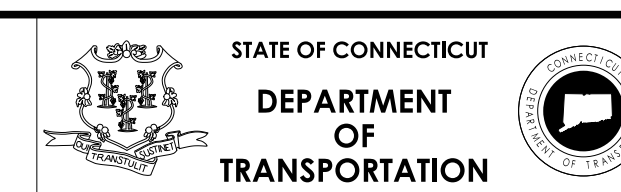


SECTION D

REV.	DATE	REVISION DESCRIPTION

DESIGNER/DRAFTER: _____ CHECKED BY: _____
 LASTED SAVED BY: RichardEH FILE NAME: W:\CT_CONNECT_DDE\CT_Configuration\Organization\Cell\CTDOT_Borders_Contract.cel
 PLOTTED DATE: 11/23/2022

SIGNATURE/BLOCK: _____ APPROVED BY: _____
 OFFICE OF ENGINEERING
 2800 BERLIN TURNPIKE
 NEWINGTON, CT 06111



PROJECT NUMBER: 0000-0000
 PROJECT DESCRIPTION: SAMPLE PROJECT DESCRIPTION
 TOWN(S): SAMPLE TOWN(S)
 DRAWING TITLE: FIBER ROLL CHECK DAM

DRAWING NO. _____
 SHEET NO. _____