

XX - STRUCTURES - SPAN POLES INDEX OF DRAWINGS			
DRAWING NUMBER	DRAWING TITLE	DRAWING NUMBER	DRAWING TITLE
SP-1	INDEX OF DRAWINGS		
SP-2	STEEL SPAN POLE ELEVATION		
SP-3	STEEL SPAN POLE DETAILS		
SP-4	STEEL SPAN POLE FOUNDATION DETAILS		

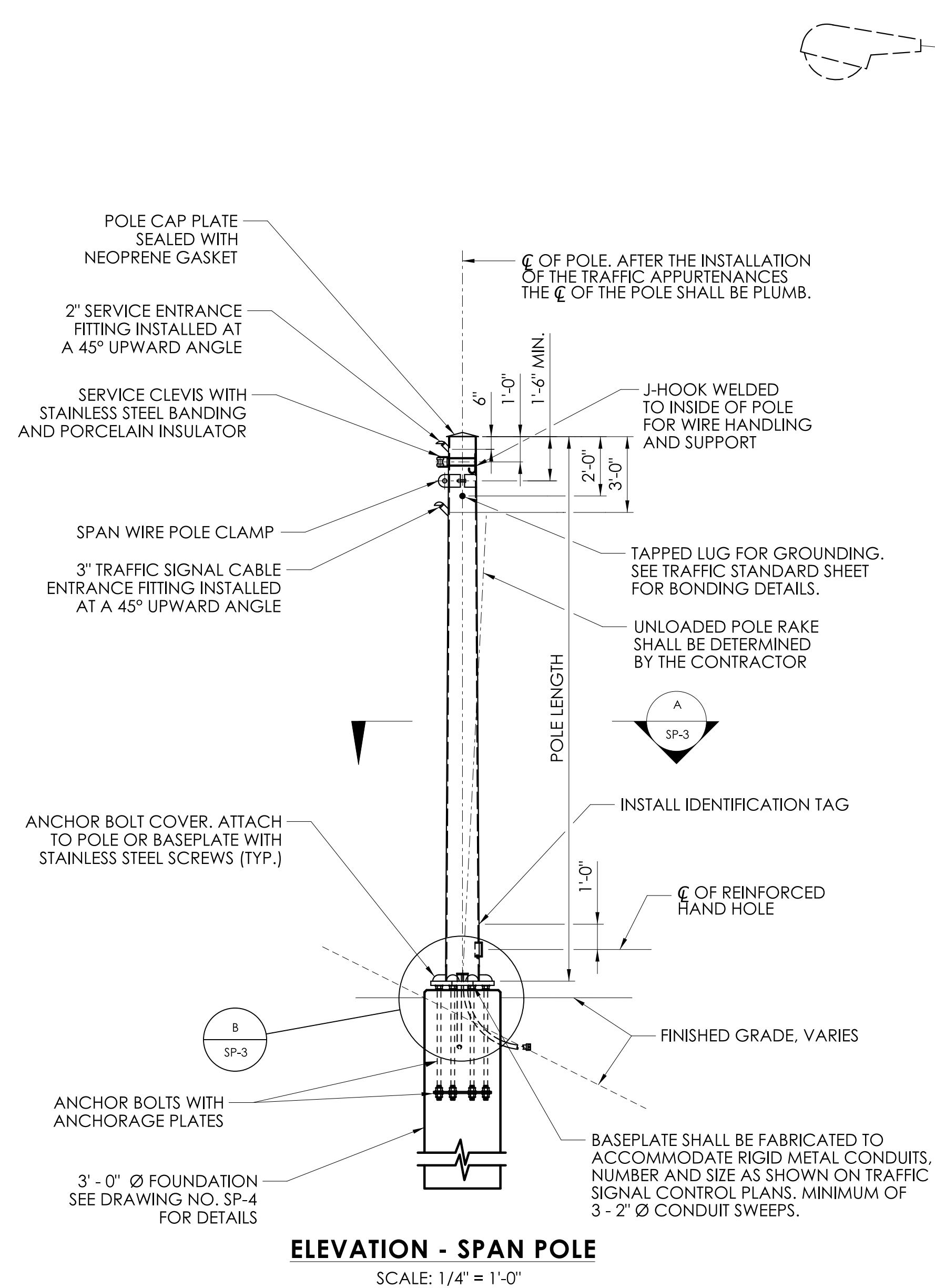
NOTE TO DESIGNERS:

- 1 - DESIGNERS SHOULD PERFORM THE BELOW LISTED EDITS ON THE PDF FOR SUBMISSION.
 - DOUBLE CLICK ON TEXT "XX" TO EDIT SUBSET NUMBER IN THE INDEX OF DRAWING BLOCK.
 - DOUBLE CLICK ON TEXT "INSERT" AND "XXXX-XXXX" TO EDIT THE PROJECT SPECIFIC INFORMATION IN THE TITLE BLOCK. RIGHT CLICK ON THE TEXT AND "APPLY TO PAGES" TO COPY THE TITLE BLOCK INFORMATION TO ALL DRAWINGS.
- 2 - DESIGNERS SHOULD ADD PAGE LABELS, SHEET NUMBERS, WATERMARKS AND DIGITAL SIGNATURE FIELD TO THE PDF AND FLATTEN THIS DOCUMENT IN ACCORDANCE WITH THE LATEST VERSION OF CTDOT DIGITAL PROJECT DEVELOPMENT MANUAL.
- 3 - DELETE THIS TEXT BOX BEFORE SUBMITTING.

THE DESIGN APPEARS TO CONFORM TO APPLICABLE CRITERIA. APPROVAL IS NOT TO BE CONSTRUED TO MEAN THAT ALL ASPECTS OF THE DESIGN HAVE BEEN PERSONALLY CHECKED BY THE UNDERSIGNED.

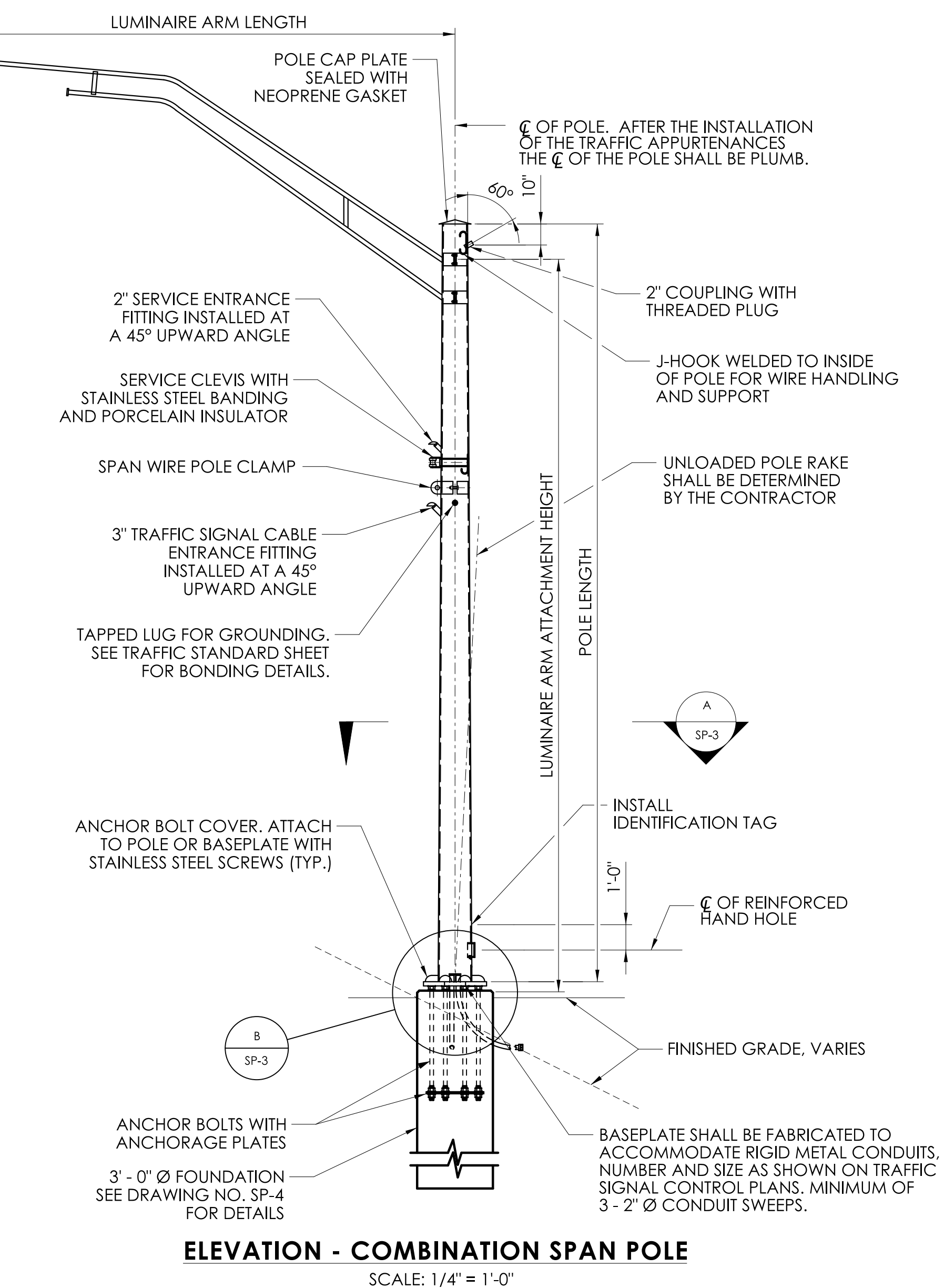
 TRANSPORTATION PRINCIPAL ENGINEER

REV.	DATE	REVISION DESCRIPTION



ELEVATION - SPAN POLE

SCALE: 1/4" = 1'-0"



ELEVATION - COMBINATION SPAN POLE

SCALE: 1/4" = 1'-0"

SPAN POLE NOTES

THE SPAN POLE CONFIGURATION, INCLUDING THE ANCHORAGE TO THE FOUNDATION, SHALL BE DESIGNED, FABRICATED AND INSTALLED BY THE CONTRACTOR, IN ACCORDANCE WITH THE SPECIAL PROVISION "XX STEEL SPAN POLE" OR "COMBINATION STEEL SPAN POLE". SPAN WIRE(S) SHALL BE DESIGNED AND INSTALLED BY THE CONTRACTOR IN ACCORDANCE WITH THE SPECIAL PROVISION "SPAN WIRE".

THE SPAN WIRE CONFIGURATION, INCLUDING THE POLE HEIGHT, SPAN WIRE ORIENTATION, AND THE LOCATIONS OF TRAFFIC APPURTENANCES SUPPORTED BY THE STRUCTURE ARE SHOWN ON THE TRAFFIC CONTROL SIGNAL PLAN. PRIOR TO DESIGN OF EACH SPAN POLE CONFIGURATION, THE CONTRACTOR SHALL PREPARE A LAYOUT DRAWING BASED ON A FIELD SURVEY AND THE CONTRACT DOCUMENTS TO VERIFY THE SPAN POLES AND SPAN WIRES WHEN INSTALLED WILL MEET THE GEOMETRIC AND CLEARANCE REQUIREMENTS IN THE CONTRACT DOCUMENTS. IF THE REQUIREMENTS CANNOT BE MET, THE CONTRACTOR SHALL NOTIFY THE ENGINEER.

THE SPAN POLE CONFIGURATION SHALL BE DESIGNED IN ACCORDANCE WITH THE LATEST EDITION OF THE AASHTO LRFD SPECIFICATIONS FOR STRUCTURAL SUPPORTS FOR HIGHWAY SIGNS, LUMINAIRES AND TRAFFIC SIGNALS, INCLUDING THE LATEST INTERIM SPECIFICATIONS, AS AMENDED BY THE SPECIAL PROVISION "XX STEEL SPAN POLE" OR "COMBINATION STEEL SPAN POLE".

THE SPAN POLE CONFIGURATION SHALL BE DESIGNED TO SUPPORT TRAFFIC APPURTENANCES WITH PROPERTIES NO LESS THAN THOSE SHOWN ON THE TRAFFIC PLANS.

REV.	DATE	REVISION DESCRIPTION

SIGNATURE BLOCK:
 DESIGNER/DRAFTER: _____ CHECKED BY: _____
 FILE NAME: _____

SCALE AS NOTED



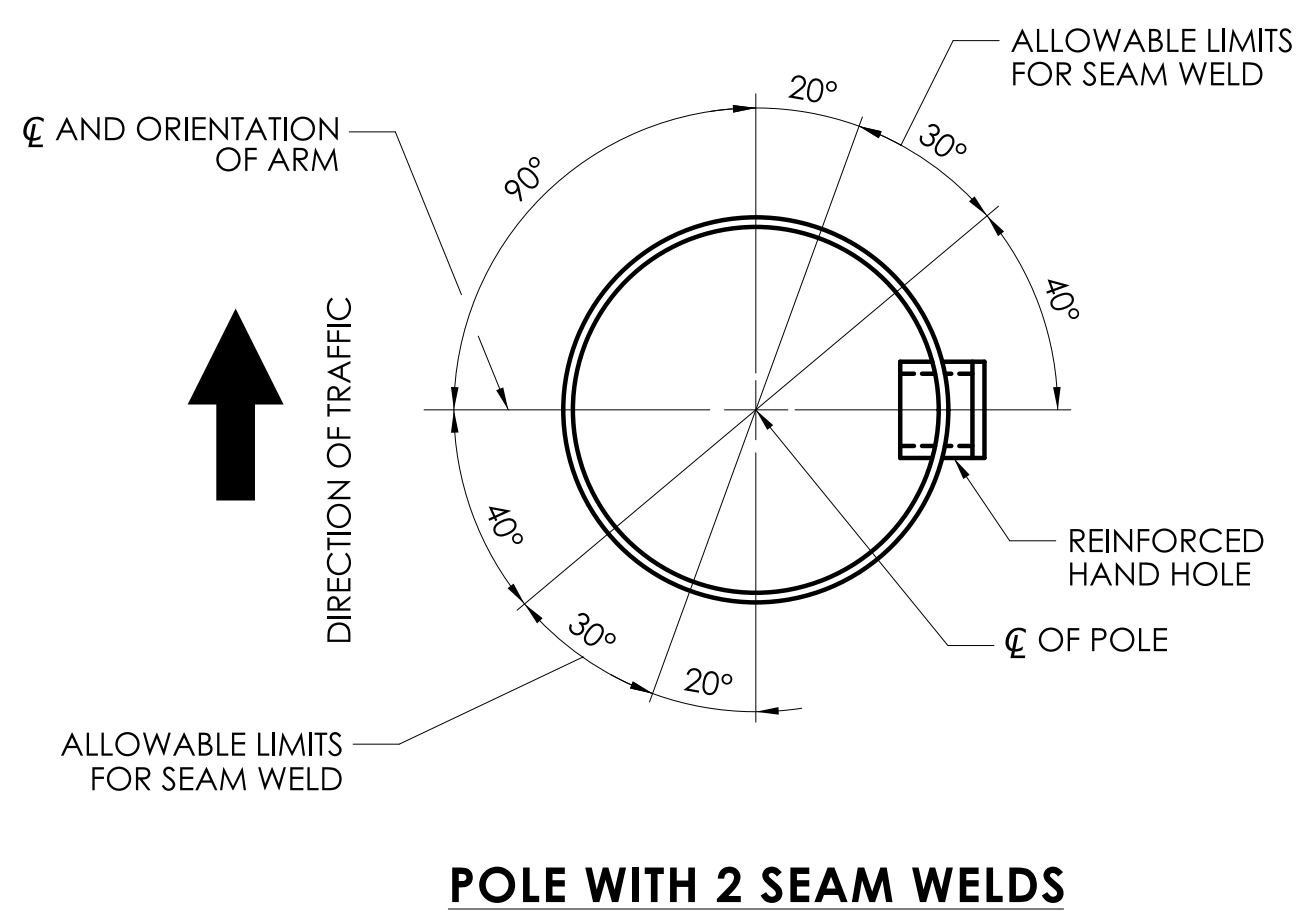
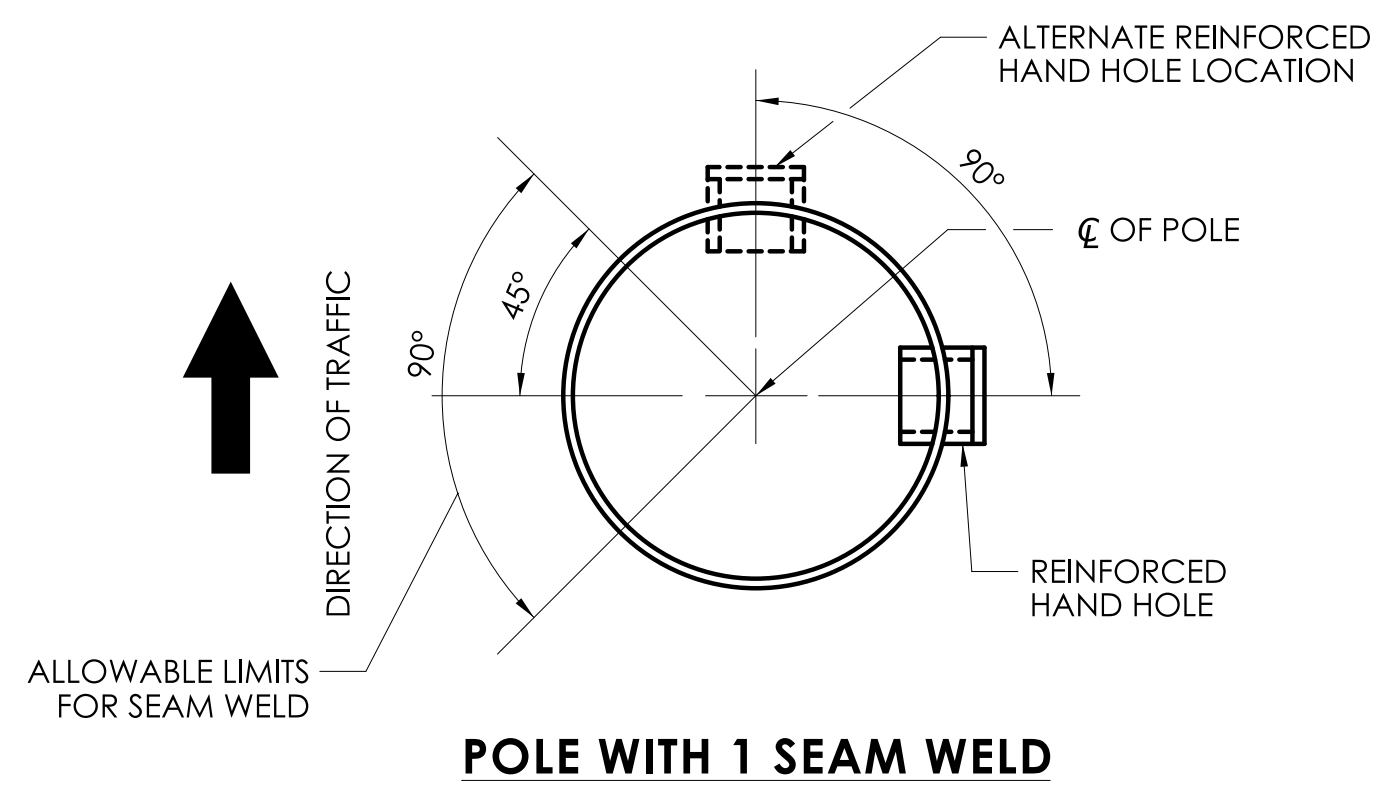
PROJECT TITLE: _____

TOWN(S): _____

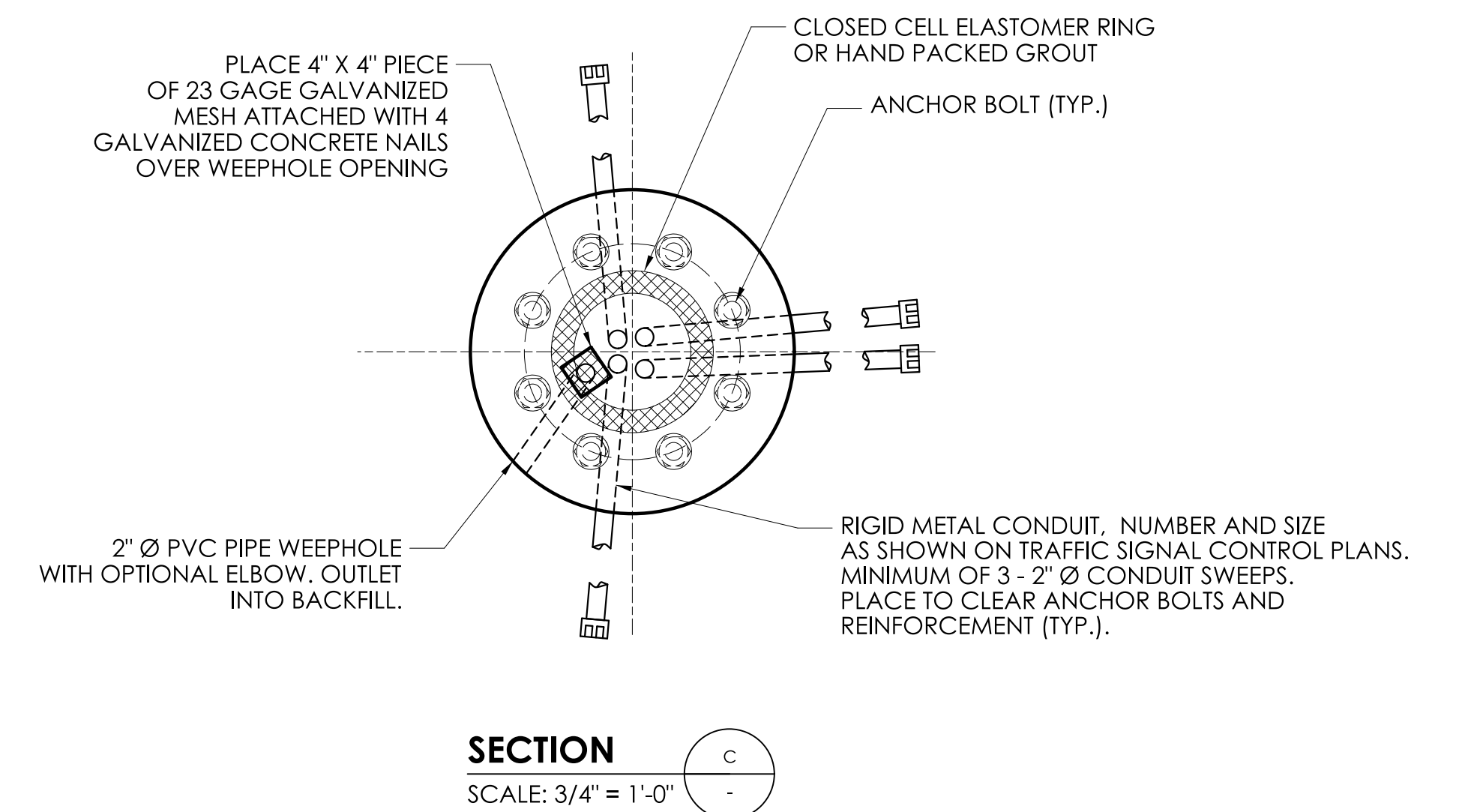
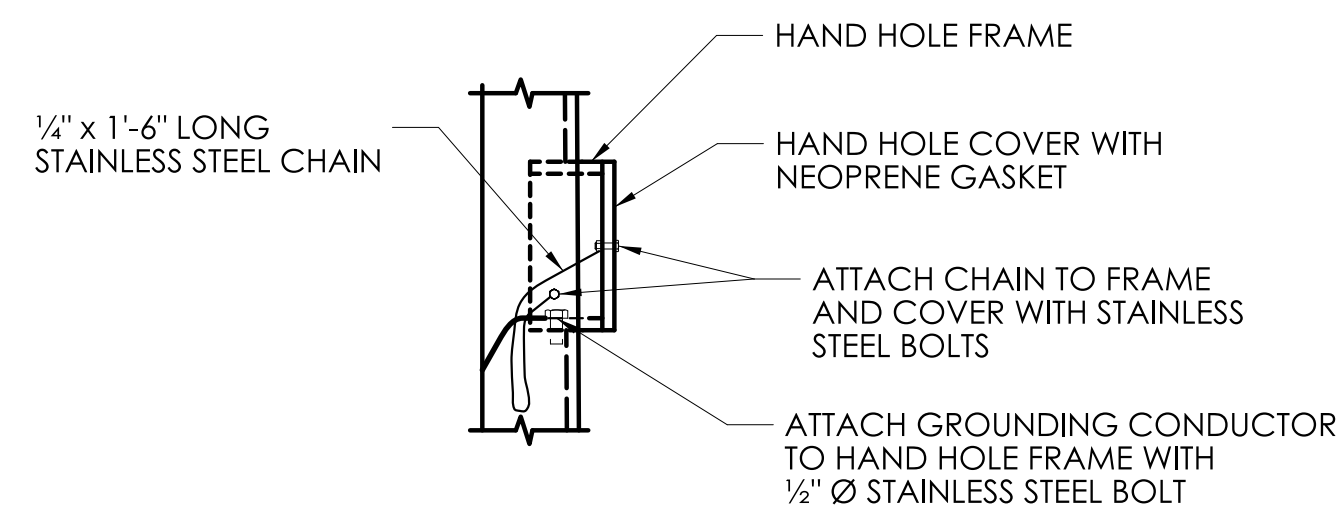
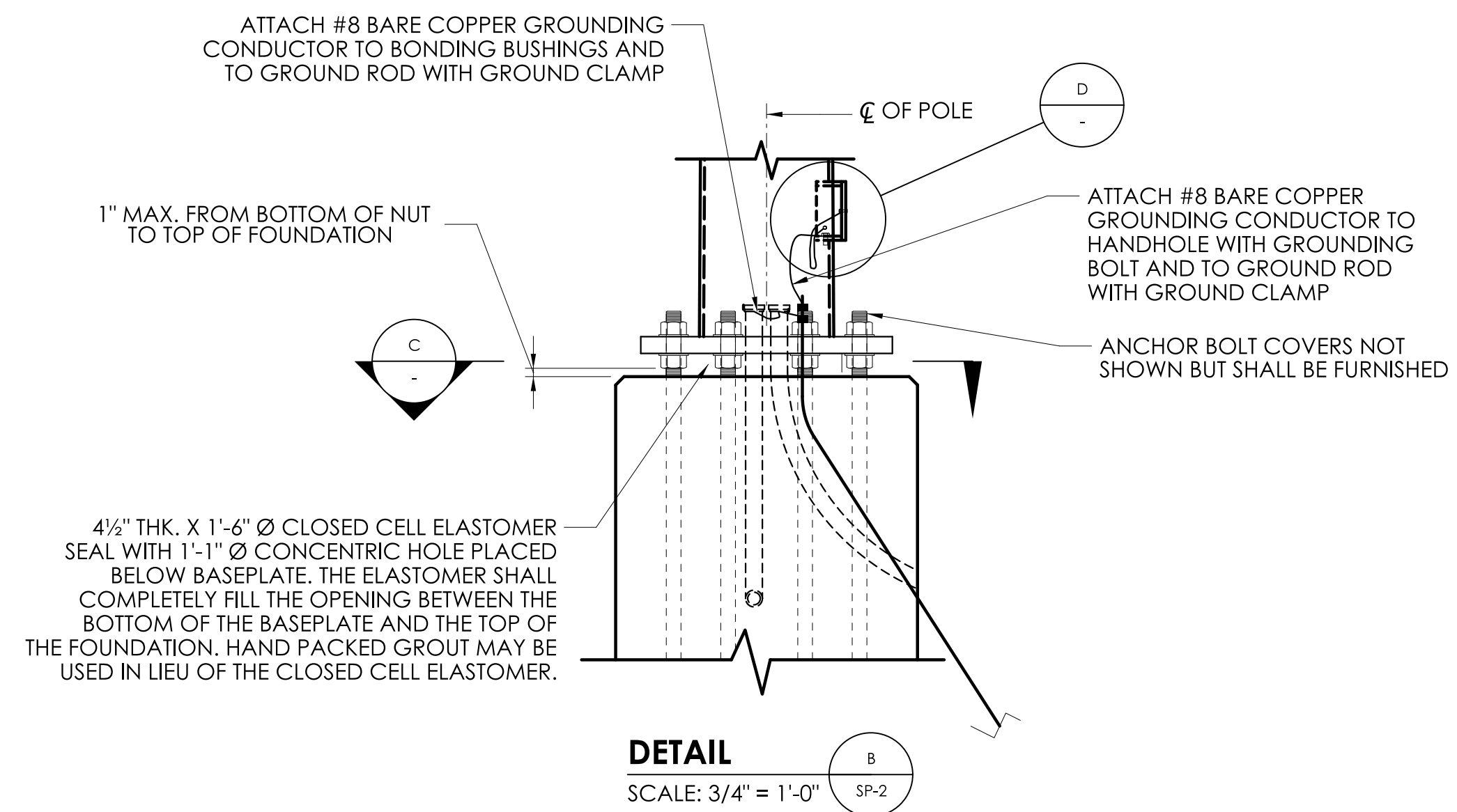
DRAWING TITLE: **STEEL SPAN POLE ELEVATION**

DRAWING NO.: _____
 SHEET NO.: **SP-2**

LASTED SAVED BY: _____ PLOTTED DATE: 9/17/2024



SECTION
SCALE: 1 1/2" = 1'-0"
A
SP-2



ATTACH TAG TO POLE AND ARM WITH SELF-TAPPING TAMPER RESISTANT STAINLESS STEEL SCREWS (TYP.)

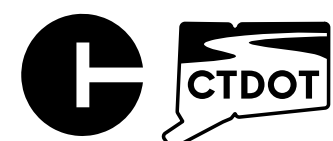
• IDENTIFICATION NUMBER:
• MANUFACTURER:
• DATE OF MANUFACTURE: MM/YY
•

IDENTIFICATION TAG - N.T.S.

REV.	DATE	REVISION DESCRIPTION

SIGNATURE BLOCK:
DESIGNER/DRAFTER: _____ CHECKED BY: _____
LASTED SAVED BY: _____ FILE NAME: _____
PLOTTED DATE: 9/17/2024

SCALE AS NOTED



CONNECTICUT
DEPARTMENT OF
TRANSPORTATION

PROJECT TITLE:

TOWN(S):

DRAWING TITLE:

STEEL SPAN POLE DETAILS

PROJECT NO.:

DRAWING NO.:

SP-3

SHEET NO.:

FOUNDATION NOTES

THE DRILLED SHAFT FOUNDATION FOR THE SPAN POLE SHALL BE DESIGNED, FABRICATED, AND CONSTRUCTED BY THE CONTRACTOR IN ACCORDANCE WITH THE SPECIAL PROVISION "TRAFFIC CONTROL FOUNDATION-SPAN POLE".

THE FOUNDATION SHALL BE DESIGNED FOR THE SOILS AND ROCK PROPERTIES BASED ON THE SUBSURFACE CONDITIONS (CHARACTER OF THE SOIL AND ROCK, PRESENCE OF GROUND WATER, ETC.) IN THE LOCATION OF, ADJACENT TO AND BELOW THE DRILLED SHAFT FOUNDATION EXCAVATION. THE NEED AND EXTENT OF ALL SUBSURFACE EXPLORATIONS AND INVESTIGATIONS SHALL BE DETERMINED BY THE CONTRACTOR.

THE DESIGN OF THE FOUNDATION SHALL BE COORDINATED WITH THE SPAN POLE AND THE SPAN POLE ANCHORAGE TO ENSURE THAT THE FOUNDATION IS ADEQUATE FOR THE SPAN POLE REACTIONS AND TO AVOID CONFLICTS BETWEEN THE EMBEDDED SPAN POLE ANCHORAGE AND THE FOUNDATION REINFORCEMENT.

THE CONCRETE FOR THE FOUNDATION SHALL CONFORM TO CLASS PCC04460. THE COMPRESSIVE STRENGTH, f_c , USED IN DESIGN OF THE FOUNDATION SHALL BE 4,000 PSI. THE COMPRESSIVE STRENGTH OF THE CONCRETE IN THE CONSTRUCTED FOUNDATION SHALL CONFORM TO THE REQUIREMENTS OF 6.01 - CONCRETE FOR STRUCTURES AND M.03 - PORTLAND AND HYDRAULIC CEMENT CONCRETE.

THE REINFORCEMENT SHALL BE UNCOATED AND CONFORM TO ASTM A615, GRADE 60. THE REINFORCEMENT SHALL BE ASSEMBLED WITH WIRE TIES. WELDING TO ASSEMBLE REINFORCEMENT IS NOT PERMITTED. ALL REINFORCEMENT SHALL HAVE 3" COVER, UNLESS OTHERWISE NOTED.

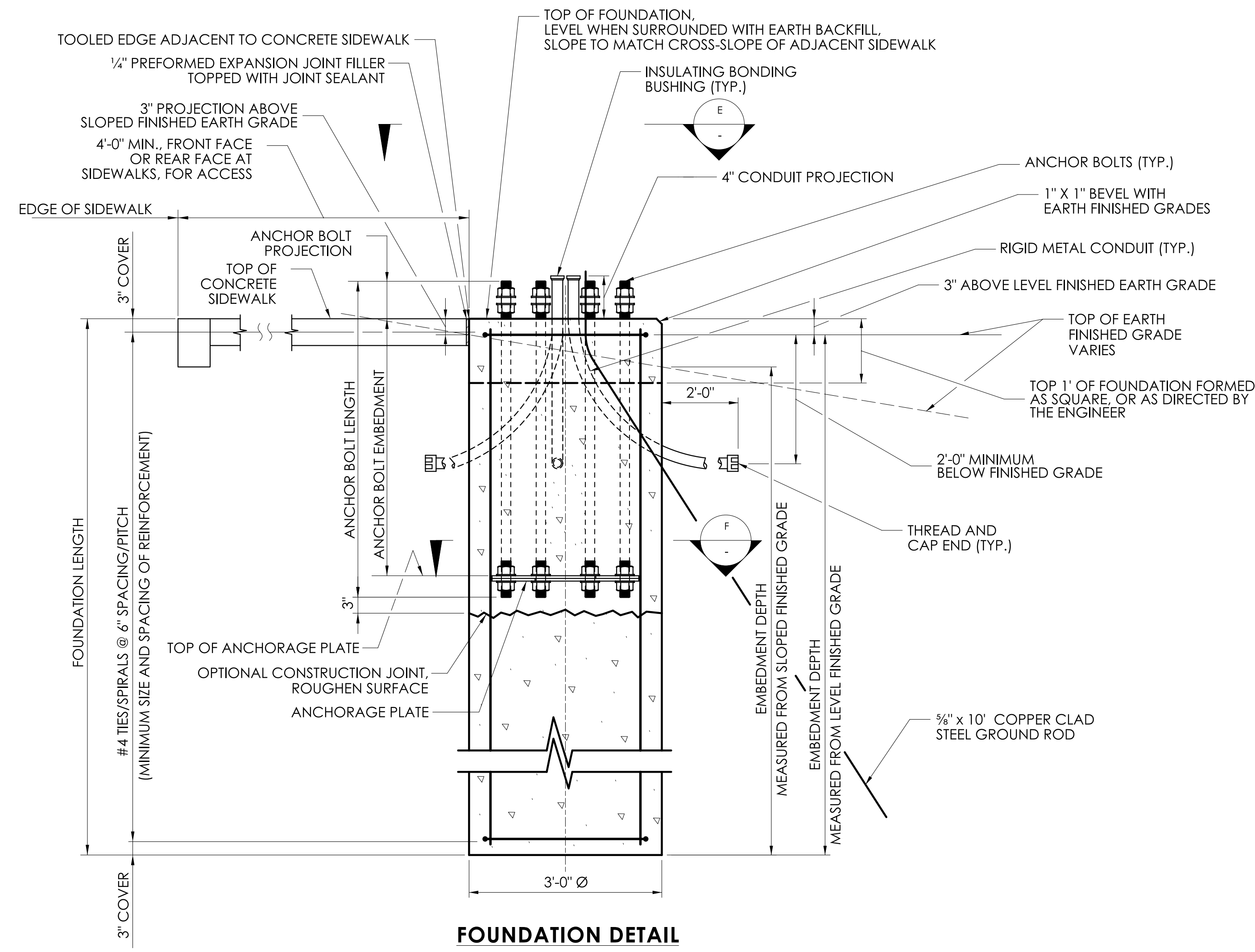
THE CONCRETE SHALL BE PLACED IN THE EXCAVATION AGAINST UNDISTURBED EARTH.

THE SPAN POLE SHALL NOT BE ERECTED ON THE FOUNDATION UNTIL THE CONCRETE IN THE SHAFT HAS ATTAINED A COMPRESSIVE STRENGTH, f_c , GREATER THAN OR EQUAL TO 4000 PSI.

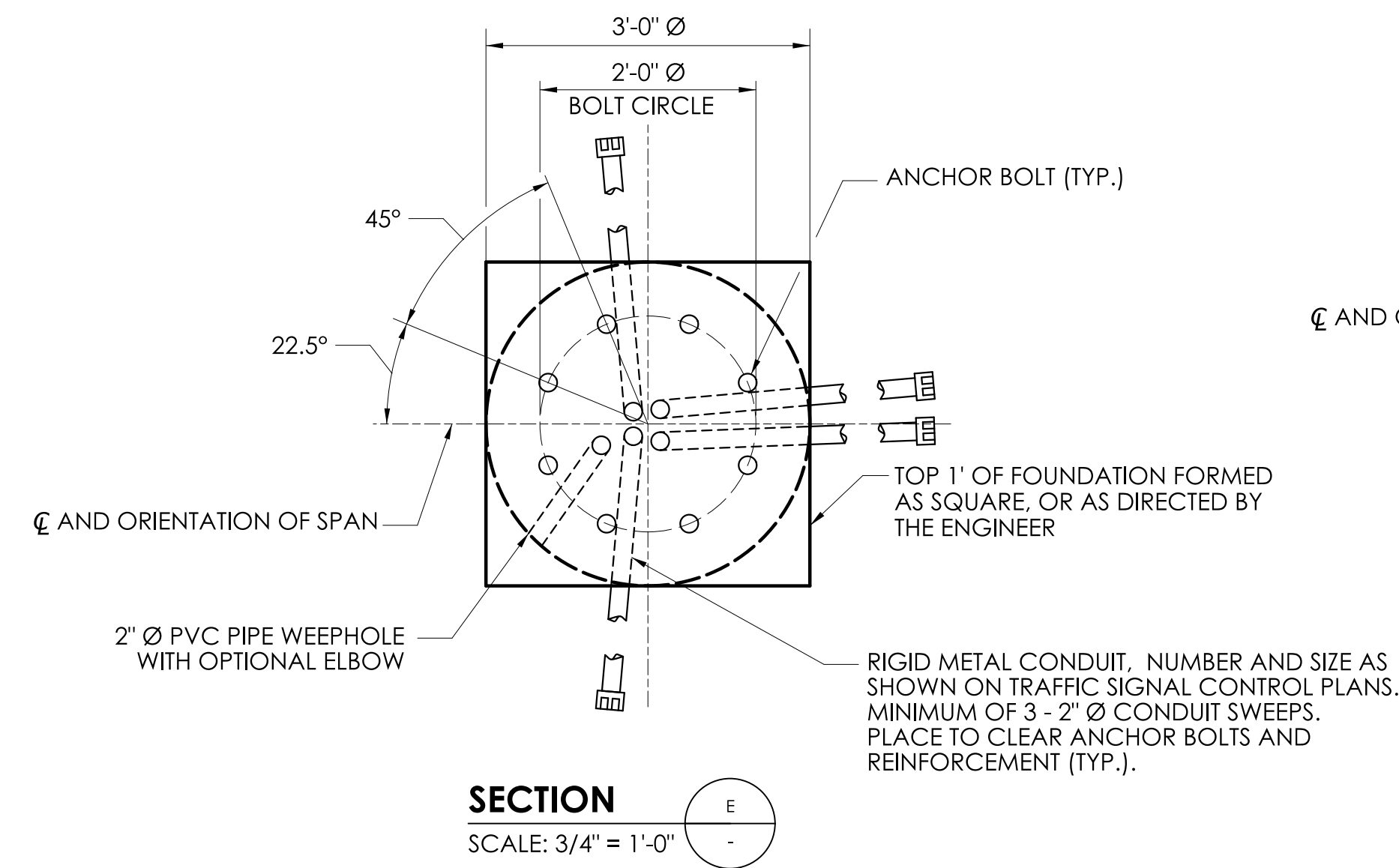
THE COST OF THE FOUNDATION, INCLUDING THE EXCAVATION, CONCRETE, REINFORCEMENT, CASING, WEEPHOLES, AND PREFORMED EXPANSION JOINT FILLER, INCLUDING THE DESIGN AND FABRICATION, TO BE INCLUDED FOR PAYMENT UNDER THE ITEM "TRAFFIC CONTROL FOUNDATION-SPAN POLE".

WHERE AN EXISTING CONCRETE SIDEWALK ABUTTING A FOUNDATION IS DAMAGED OR CUT DURING INSTALLATION, REPLACE THE ENTIRE SECTION. ALL SIDEWALK REPLACED DUE TO FOUNDATION INSTALLATION SHALL BE PAID FOR UNDER THE ITEM "CONCRETE SIDEWALK".

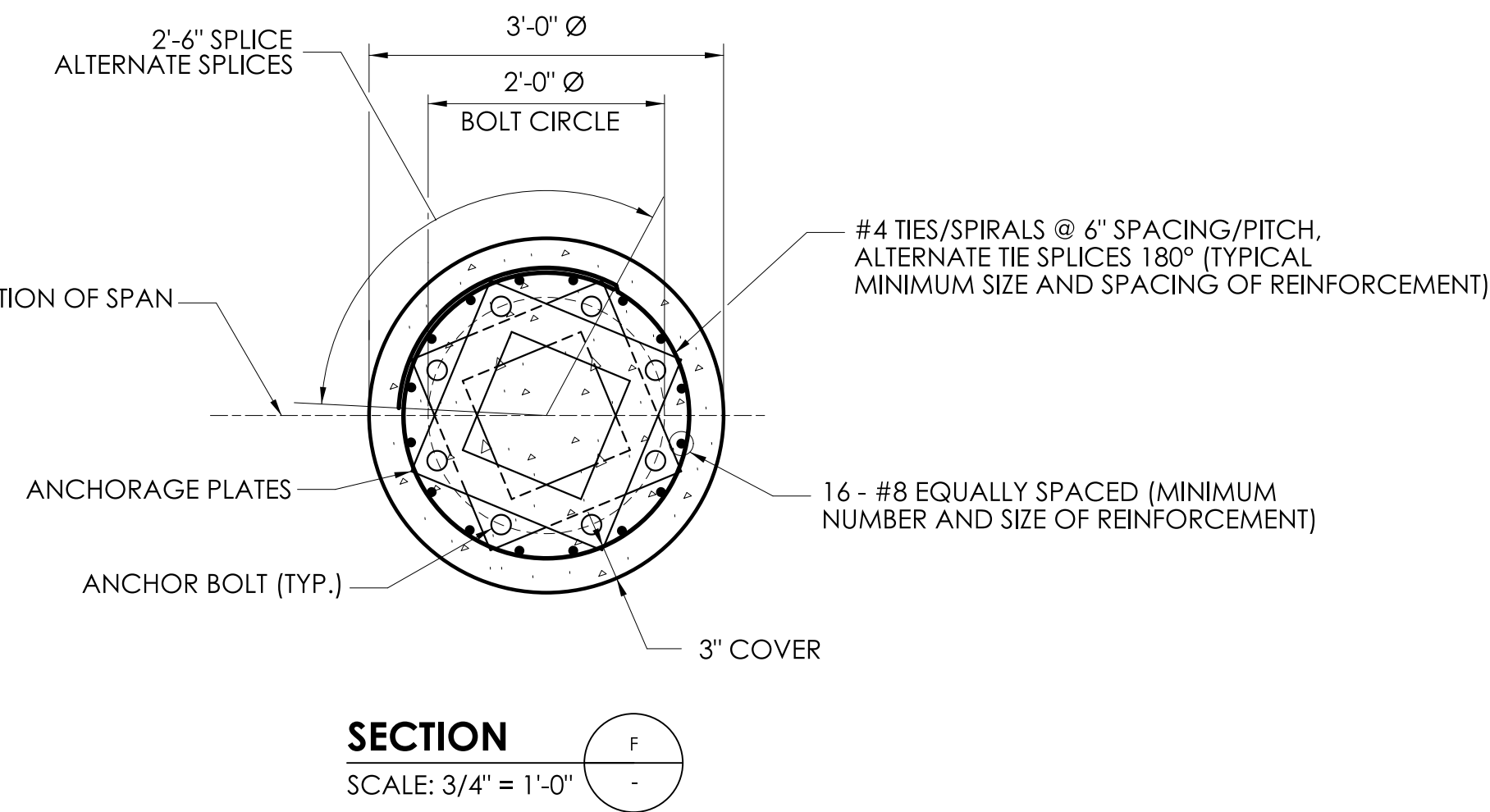
THE COST OF PREFORMED EXPANSION JOINT FILLER AND JOINT SEALANT SHALL BE INCLUDED FOR PAYMENT UNDER THE ITEM "CONCRETE SIDEWALK".



FOUNDATION DETAIL
SCALE: 3/4" = 1'-0"



SECTION E
SCALE: 3/4" = 1'-0"



SECTION F
SCALE: 3/4" = 1'-0"

<table border="1" style="width: 100%; border-collapse: collapse;"> <tr><th>REV.</th><th>DATE</th><th>REVISION DESCRIPTION</th></tr> <tr><td> </td><td> </td><td> </td></tr> <tr><td> </td><td> </td><td> </td></tr> </table>	REV.	DATE	REVISION DESCRIPTION							SIGNATURE BLOCK:	SCALE AS NOTED	CONNECTICUT DEPARTMENT OF TRANSPORTATION	PROJECT TITLE:	TOWN(S):	DRAWING TITLE:	PROJECT NO.:	DRAWING NO.:
REV.	DATE	REVISION DESCRIPTION															
DESIGNER/DRAFTER:	CHECKED BY:					STEEL SPAN POLE FOUNDATION DETAILS		SP-4									
LASTED SAVED BY: FILE NAME:								SHEET NO.:									
PLOTTED DATE: 9/17/2024																	