



Office of Education
and Data Management

Fall 2017
Career Development

September

ICC/ANSI A117.1 and the Top 20 Frequently Asked Questions

Harwood W. Loomis, R.A., B.O., Consulting Architect

Use of Office of Education and Data Management (OEDM) training materials must be approved in writing by the State of Connecticut, Department of Administrative Services' Office of Communications.



DEPARTMENT OF ADMINISTRATIVE SERVICES
OFFICE OF EDUCATION AND DATA MANAGEMENT

#1:

How do I know how many accessible means of egress are required from a space / building?

Where do I look for the answer?



- ICC/ANSI A117.1 provides *technical* requirements. The IBC provides scoping.
- For numbers of required, accessible, means of egress, we look at the IBC.

3



1021.1 General. Each story and occupied roof shall have the minimum number of *exits*, or access to exits, as specified in this section. The required number of *exits*, or *exit access stairways* or *ramps* providing access to exits, from any story shall be maintained until arrival at grade or a *public way*. *Exits* or access to exits from any story shall be configured in accordance with this section. Each story above the second story of a building shall have a minimum of one interior or exterior *exit stairway*, or interior or exterior *exit ramp*. At each story above the second story that requires a minimum of three or more *exits*, or access to *exits*, a minimum of 50 percent of the required *exits* shall be interior or exterior *exit stairways*, or interior or exterior *exit ramps*.

4



1021.2 Exits from stories. Two exits from any story or occupied roof shall be provided where one of the following conditions exists:

1. The occupant load or number of dwelling units exceeds one of the values in Table 1021.2(1) or 1021.2(2).
2. The exit access travel distance exceeds that specified in Table 1021.2(1) or 1021.2(2) as determined in accordance with the provisions of Section 1016.1.



TABLE 1021.2(1)
STORIES WITH ONE EXIT OR ACCESS TO ONE EXIT FOR R-2 OCCUPANCIES

STORY	OCCUPANCY	MAXIMUM NUMBER OF DWELLING UNITS	MAXIMUM EXIT ACCESS TRAVEL DISTANCE
Basement, first, second or third story	R-2 ^{a,b}	4 dwelling units	125 feet
Fourth story and above	NP	NA	NA

For SI: 1 foot = 304.8 mm.

NP – Not Permitted

NA – Not Applicable

a. Buildings classified as Group R-2 equipped throughout with an *automatic sprinkler system* in accordance with Section 903.3.1.1 or 903.3.1.2 and provided with *emergency escape and rescue openings* in accordance with Section 1029.

b. This table is used for R-2 occupancies consisting of *dwelling units*. For R-2 occupancies consisting of *sleeping units*, use Table 1021.2(2).



TABLE 1021.2(2)
STORIES WITH ONE EXIT OR ACCESS TO ONE EXIT FOR OTHER OCCUPANCIES

STORY	OCCUPANCY	MAXIMUM OCCUPANTS PER STORY	MAXIMUM EXIT ACCESS TRAVEL DISTANCE
First story or basement	A, B ^b , E, F ^b , M, U, S ^b	49 occupants	75 feet
	H-2, H-3	3 occupants	25 feet
	H-4, H-5, I, R-1, R-2 ^{a,c} , R-4	10 occupants	75 feet
	S	29 occupants	100 feet
Second story	B, F, M, S	29 occupants	75 feet
Third story and above	NP	NA	NA

For SI: 1 foot = 304.8 mm.

NP – Not Permitted

NA – Not Applicable

- Buildings classified as Group R-2 equipped throughout with an *automatic sprinkler system* in accordance with Section 903.3.1.1 or 903.3.1.2 and provided with *emergency escape and rescue openings* in accordance with Section 1029.
- Group B, F and S occupancies in buildings equipped throughout with an *automatic sprinkler system* in accordance with Section 903.3.1.1 shall have a maximum travel distance of 100 feet.
- This table is used for R-2 occupancies consisting of *sleeping units*. For R-2 occupancies consisting of *dwelling units*, use Table 1021.2(1).

7



At least two exits are required from each story *unless* the condition falls within the parameters set forth in one of these two tables.

But ... that's total exits. What about *accessible* exits (or means of egress)?



SECTION 1007
ACCESSIBLE MEANS OF EGRESS

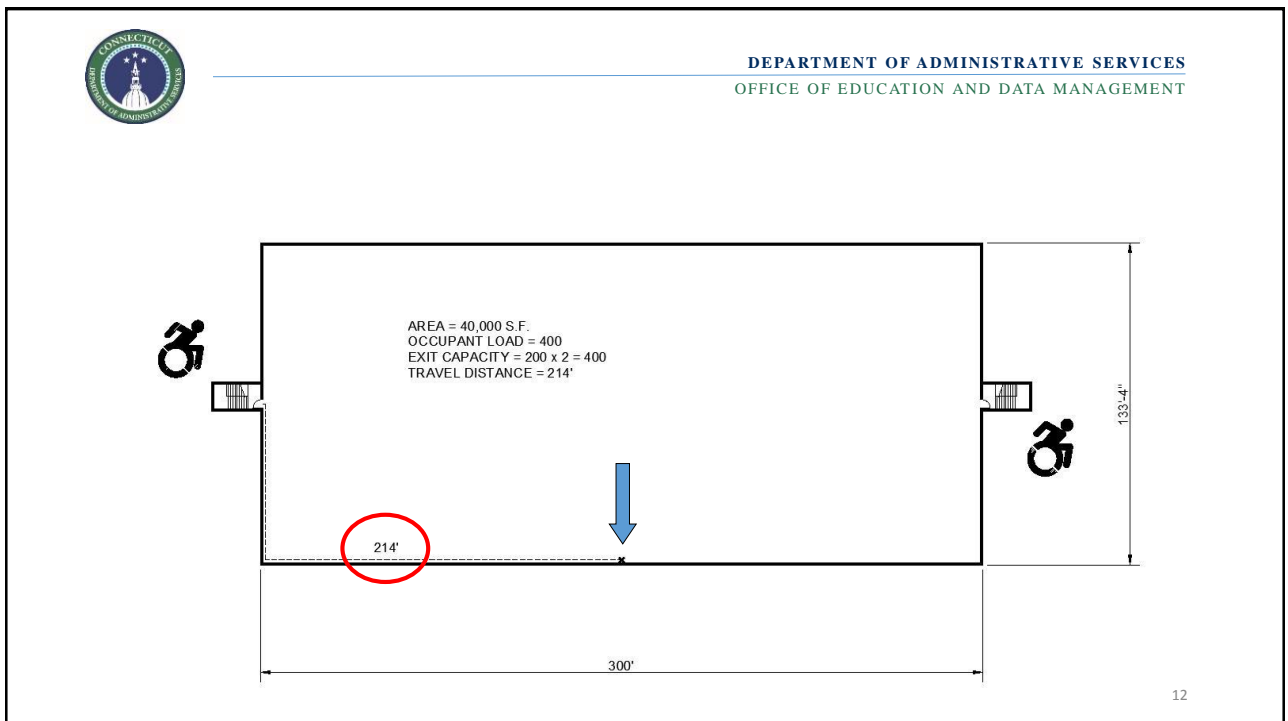
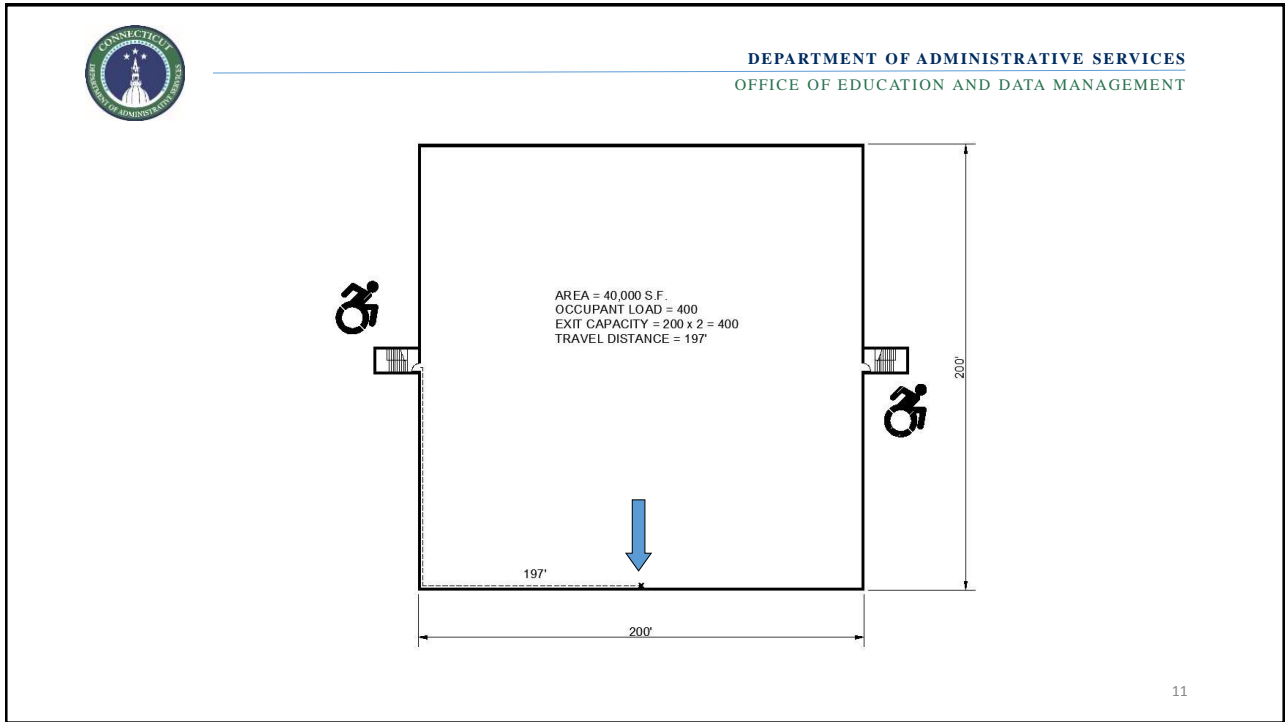
8



1007.1 Accessible means of egress required. *Accessible means of egress* shall comply with this section. *Accessible spaces* shall be provided with not less than one *accessible means of egress*. Where more than one *means of egress* are required by Section 1015.1 or 1021.1 from any *accessible space*, each *accessible portion* of the space shall be served by not less than two *accessible means of egress*.



WHEN DO WE NEED MORE THAN TWO?



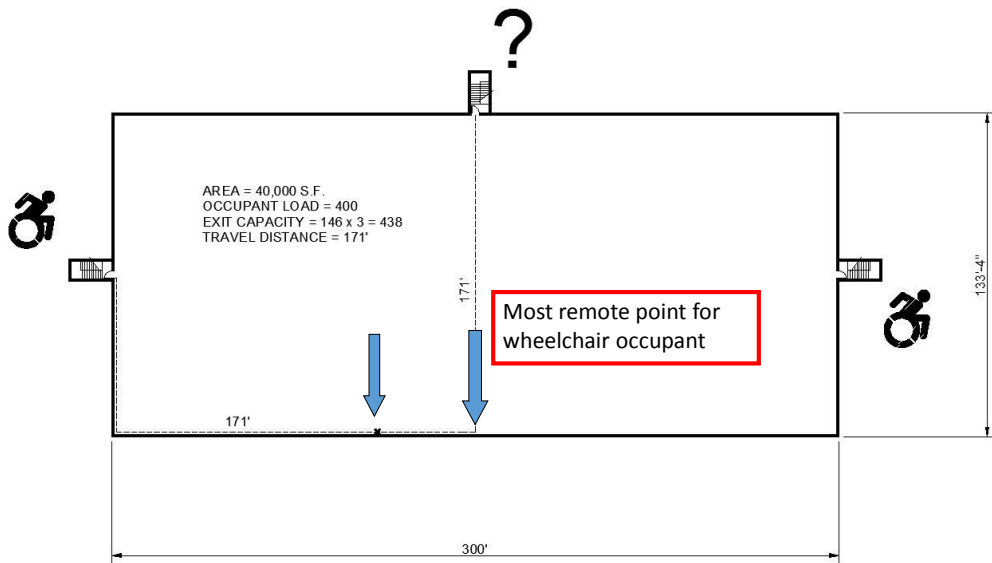


If the maximum allowable travel distance is 200 feet ...

We need to add a third exit.

Does the third exit have to be an accessible exit?

13



14



According to Joe Cassidy and Kim Paarlberg at ICC ...

NO!

Here's what Joe sent me:

15



The commentary for 1007.1 addresses this:

“In new construction and additions, accessible means of egress are required in the same number as the general means of egress, up to a maximum of two. In buildings, stories or spaces required by Section 1025.1 or 1021 to have three or more exits or exit access doors, a minimum of two accessible means of egress is required. The number of exits or exit access doors is based on occupant load; therefore, no matter how large the total occupant load of the space, two fully complying accessible means of egress are considered to provide sufficient net capacity for those building occupants with a mobility impairments.” It goes on to say “While no disbursement requirements specific to accessible means of egress or travel distance limitations...”.

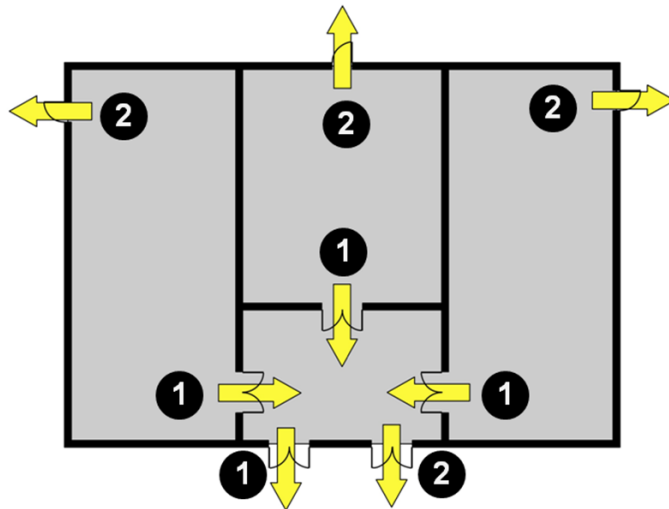
No so, in your example only two of the three means of egress are required to be accessible.

16



So ... when ARE more than two accessible means of egress required?

17



18



SECTION 1007 ACCESSIBLE MEANS OF EGRESS

1007.1 Accessible means of egress required. *Accessible means of egress shall comply with this section. Accessible spaces shall be provided with not less than one accessible means of egress. Where more than one means of egress are required by Section 1015.1 or 1021.1 from any accessible space, each accessible portion of the space shall be served by not less than two accessible means of egress.*

19



#2:

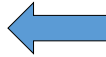
Why is an enclosed stair in a fully sprinklered building exempt from the width and area of refuge requirements?

20



1007.2 Continuity and components. Each required *accessible means of egress* shall be continuous to a *public way* and shall consist of **one or more** of the following components:

1. *Accessible routes* complying with Section 1104.
2. *Interior exit stairways* complying with Sections 1007.3 and 1022.
3. *Interior exit access stairways* complying with Sections 1007.3 and 1009.3.
4. *Exterior exit stairways* complying with Sections 1007.3 and 1026 and serving levels other than the *level of exit discharge*.
5. Elevators complying with Section 1007.4.
6. Platform lifts complying with Section 1007.5.
7. *Horizontal exits* complying with Section 1025.
8. *Ramps* complying with Section 1010.
9. *Areas of refuge* complying with Section 1007.6.
10. Exterior area for assisted rescue complying with Section



21



1007.6 Areas of refuge. Every **required** *area of refuge* shall be *accessible* from the space it serves by an *accessible means of egress*. The maximum travel distance from any *accessible space* to an *area of refuge* shall not exceed the travel distance permitted for the occupancy in accordance with Section 1016.1. Every required *area of refuge* shall have direct access to a *stairway* complying with Sections 1007.3 or an elevator complying with Section 1007.4. Where an elevator lobby is used as an *area of refuge*, the shaft and lobby shall comply with Section 1022.10 for smokeproof enclosures except where the elevators are in an *area of refuge* formed by a *horizontal exit* or smoke barrier.

22



1007.3 Stairways. In order to be considered part of an *accessible means of egress*, a *stairway* between stories shall have a clear width of 48 inches (1219 mm) minimum between *handrails* and shall either incorporate an *area of refuge* within an enlarged floor-level landing or shall be accessed from either an *area of refuge* complying with Section 1007.6 or a *horizontal exit*. *Exit access stairways* that connect levels in the same story are not permitted as part of an *accessible means of egress*.

Exceptions:

1. The clear width of 48 inches (1219 mm) between *handrails* is not required in buildings equipped throughout with an *automatic sprinkler system* installed in accordance with Section 903.3.1.1 or 903.3.1.2.
2. *Areas of refuge* are not required at *stairways* in buildings equipped throughout by an *automatic sprinkler system* installed in accordance with Section 903.3.1.1 or 903.3.1.2.

...

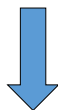
23



#3:

What is the minimum clear width of a component of an accessible route?

Technical ... where do we look?



ICC/ANSI A117.1

24



403.5 Clear Width. The clear width of an accessible route shall be 36 inches (915 mm) minimum.

EXCEPTION: The clear width shall be permitted to be reduced to 32 inches (815 mm) minimum for a length of 24 inches (610 mm) maximum provided the reduced width segments are separated by segments that are 48 inches (1220 mm) minimum in length and 36 inches (915 mm) minimum in width.

25

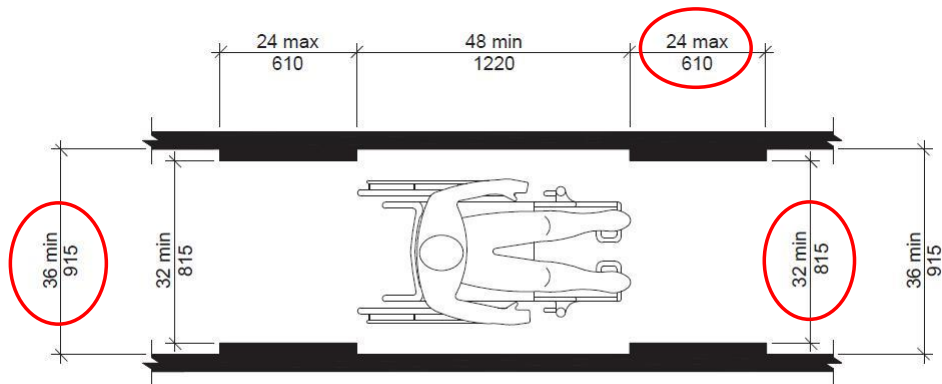


FIG. 403.5
CLEAR WIDTH OF AN ACCESSIBLE ROUTE

26



403.5.1 Clear Width at 180 Degree Turn. Where an accessible route makes a 180 degree turn around an object that is less than 48 inches (1220 mm) in width, clear widths shall be 42 inches (1065 mm) minimum approaching the turn, 48 inches (1220 mm) minimum during the turn, and 42 inches (1065 mm) minimum leaving the turn.

EXCEPTION: Section 403.5.1 shall not apply where the clear width during the turn is 60 inches (1525 mm) minimum.

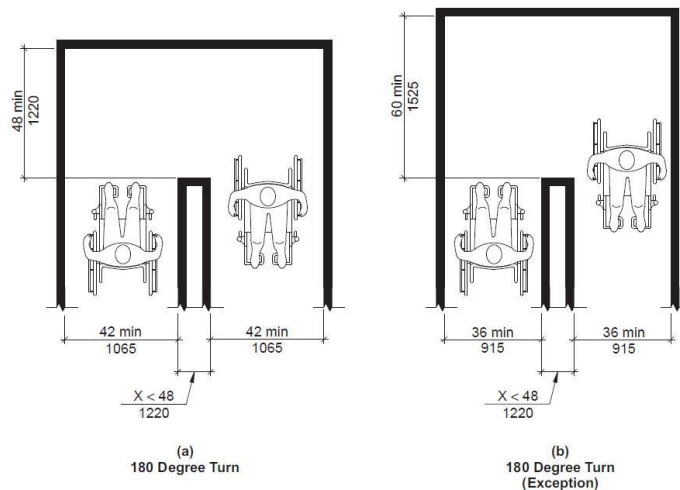


FIG. 403.5.1
CLEAR WIDTH AT 180° TURN



#4:

Is a 36-inch door the minimum door width allowed in an accessible route?

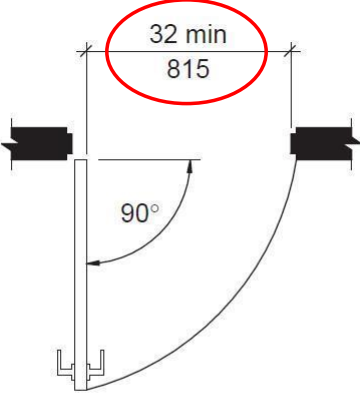
29



NO!

404.2.2 Clear Width. Doorways shall have a clear opening width of 32 inches (815 mm) minimum. Clear opening width of doorways with swinging doors shall be measured between the face of door and stop, with the door open 90 degrees. Openings more than 24 inches (610 mm) in depth at doors and doorways without doors shall provide a clear opening width of 36 inches (915 mm) minimum. There shall be no projections into the clear opening width lower than 34 inches (865 mm) above the floor. Projections into the clear opening width between 34 inches (865 mm) and 80 inches (2030 mm) above the floor shall not exceed 4 inches (100 mm).

30



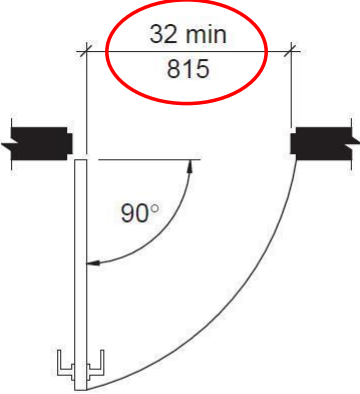
The diagram illustrates a hinged door in an open position. A horizontal dimension line at the top indicates a clear width of 32 inches minimum, with the number 815 written below it. A curved arrow indicates the door is swung open at a 90-degree angle from its closed position. The door is shown with hinges on the left side and a handle on the right side.

DEPARTMENT OF ADMINISTRATIVE SERVICES
OFFICE OF EDUCATION AND DATA MANAGEMENT

(a) Hinged Door

FIG. 404.2.2
CLEAR WIDTH OF DOORWAYS

31



DEPARTMENT OF ADMINISTRATIVE SERVICES
OFFICE OF EDUCATION AND DATA MANAGEMENT

#5:

Can an elevator be used as an accessible means of egress?

32



YES

1007.2 Continuity and components. Each required *accessible means of egress* shall be continuous to a *public way* and shall consist of one or more of the following components:

1. *Accessible routes* complying with Section 1104.
2. *Interior exit stairways* complying with Sections 1007.3 and 1022.
3. *Interior exit access stairways* complying with Sections 1007.3 and 1009.3.
4. *Exterior exit stairways* complying with Sections 1007.3 and 1026 and ~~serving levels other than the level of exit discharge.~~
5. Elevators complying with Section 1007.4.

...

33



PLUS ...

1007.2.1 Elevators required. In buildings where a required *accessible floor* is four or more stories above or below a *level of exit discharge*, at least one required *accessible means of egress* shall be an elevator complying with Section 1007.4.

34



BUT ...

Exceptions:

1. In buildings equipped throughout with an *automatic sprinkler system* installed in accordance with Section 903.3.1.1 or 903.3.1.2, the elevator shall not be required on floors provided with a *horizontal exit* and located at or above the *levels of exit discharge*.

35



2. In buildings equipped throughout with an *automatic sprinkler system* installed in accordance with Section 903.3.1.1 or 903.3.1.2, the elevator shall not be required on floors provided with a *ramp* conforming to the provisions of Section 1010.

36



#6:

When can a vertical wheelchair lift (platform lift) be used for providing access? Egress?

37



Access

1109.8 Lifts. Platform (wheelchair) lifts are permitted to be a part of a required *accessible route* in new construction where indicated in Items 1 through 10. Platform (wheelchair) lifts shall be installed in accordance with ASME A18.1.

1. An *accessible route* to a performing area and speaker platforms in Group A occupancies.
2. An *accessible route* to *wheelchair spaces* required to comply with the *wheelchair space* dispersion requirements of Sections 1108.2.2 through 1108.2.6.

38



3. An *accessible route* to spaces that are not open to the general public with an *occupant load* of not more than five.
4. An *accessible route* within a *dwelling* or *sleeping unit*.
5. An *accessible route* to wheelchair seating spaces located in outdoor dining terraces in Group A-5 occupancies where the *means of egress* from the dining terraces to a *public way* are open to the outdoors.
6. An *accessible route* to jury boxes and witness stands; raised courtroom stations including judges' benches, clerks' stations, bailiffs' stations, deputy clerks' stations and court reporters' stations; and to depressed areas such as the well of the court.

39



7. An *accessible route* to load and unload areas serving amusement rides.
8. An *accessible route* to play components or soft contained play structures.
9. An *accessible route* to team or player seating areas serving areas of sport activity.
10. An *accessible route* where existing exterior *site* constraints make use of a ramp or elevator infeasible.

40



Egress

1007.2 Continuity and components. Each required *accessible means of egress* shall be continuous to a *public way* and shall consist of one or more of the following components:

...

6. Platform lifts complying with Section 1007.5.

...

41



1007.5 Platform lifts. Platform (wheelchair) lifts shall not serve as part of an *accessible means of egress*, except where allowed as part of a required *accessible route* in Section 1109.8, Items 1 through 9.

Standby power shall be provided in accordance with Chapter 27 for platform lifts permitted to serve as part of a *means of egress*.

42



1109.8 Lifts. Platform (wheelchair) lifts are permitted to be a part of a required *accessible route* in new construction where indicated in Items 1 through 10. Platform (wheelchair) lifts shall be installed in accordance with ASME A18.1.

1. An *accessible route* to a performing area and speaker platforms in Group A occupancies.
2. An *accessible route* to *wheelchair spaces* required to comply with the *wheelchair space* dispersion requirements of Sections 1108.2.2 through 1108.2.6.

43



3. An *accessible route* to spaces that are not open to the general public with an *occupant load* of not more than five.
4. An *accessible route* within a *dwelling* or *sleeping unit*.
5. An *accessible route* to wheelchair seating spaces located in outdoor dining terraces in Group A-5 occupancies where the *means of egress* from the dining terraces to a *public way* are open to the outdoors.
6. An *accessible route* to jury boxes and witness stands; raised courtroom stations including judges' benches, clerks' stations, bailiffs' stations, deputy clerks' stations and court reporters' stations; and to depressed areas such as the well of the court.

44



7. An *accessible route* to load and unload areas serving amusement rides.
8. An *accessible route* to play components or soft contained play structures.
9. An *accessible route* to team or player seating areas serving areas of sport activity.
10. An ~~*accessible route*~~ where existing exterior *site* constraints make use of a ramp or elevator infeasible.

45



#7:

When can I use a less than 36 inch rear grab bar (24 inches) at a commercial water closet?

46



ICC/ANSI A117.1-2009

604.5 Grab Bars. Grab bars for water closets shall comply with Section 609 and shall be provided in accordance with Sections 604.5.1 and 604.5.2. Grab bars shall be provided on the rear wall and on the side wall closest to the water closet.

604.5.2 Rear Wall Grab Bars. The rear wall grab bar shall be 36 inches (915 mm) minimum in length, and extend from the centerline of the water closet 12 inches (305 mm) minimum on the side closest to the wall, and 24 inches (610 mm) minimum on the transfer side.

47



EXCEPTIONS:

1. The rear grab bar shall be permitted to be 24 inches (610 mm) minimum in length, centered on the water closet, where wall space does not permit a grab bar 36 inches (915 mm) minimum in length due to the location of a recessed fixture adjacent to the water closet.
- ~~2. Where an administrative authority requires flush controls for flush valves to be located in a position that conflicts with the location of the rear grab bar, that grab bar shall be permitted to be split or shifted to the open side of the toilet area.~~

48



#8:

What is the required height of a mirror over an accessible lavatory, and to where is it measured?

49



ICC/ANSI A117.1-2009

603.3 Mirrors. Where mirrors are located above lavatories, a mirror shall be located over the accessible lavatory and shall be mounted with the bottom edge of the reflecting surface 40 inches (1015 mm) maximum above the floor. Where mirrors are located above counters that do not contain lavatories, the mirror shall be mounted with the bottom edge of the reflecting surface 40 inches (1015 mm) maximum above the floor.

50



#9:

In a toilet room, can I have hand driers that project more than 4 inches from the wall?

NO!

51



ICC/ANSI A117.1-2009

307 Protruding Objects

307.1 General. Protruding objects on circulation paths shall comply with Section 307.

307.2 Protrusion Limits. Objects with leading edges more than 27 inches (685 mm) and not more than 80 inches (2030 mm) above the floor shall protrude 4 inches (100 mm) maximum horizontally into the circulation path.

52



#10:

Is the new CT adopted Symbol of Accessibility acceptable for compliance with the federal ADA?

53



What are we talking about?

Does
this ...



Equal
this?



54



Public Act 16-78

AN ACT MODERNIZING THE SYMBOL OF ACCESS FOR PERSONS WITH DISABILITIES.

Be it enacted by the Senate and House of Representatives in General Assembly convened:

Section 1. (NEW) (*Effective from passage*) Not later than January 1, 2017, the Commissioner of Administrative Services shall promulgate a policy and adopt regulations, in accordance with the provisions of chapter 54 of the general statutes, designating the symbol of access to be used on signage indicating access for persons with disabilities. Such symbol shall depict a logo with a dynamic character leaning forward with a sense of movement, be readily identifiable and be simply designed with no secondary meaning. Such symbol shall signify equivalent facilitation and accessibility as the previously used international symbol of access.

Sec. 2. (NEW) (*Effective from passage*) Beginning January 1, 2017, any reference to the international symbol of accessibility in the State Building Code shall be deemed to mean the symbol of access, as defined in subsection (a) of section 14-253a of the general statutes, as amended by this act. The symbol of access shall be used for all buildings and structures constructed, substantially renovated or expanded on or after January 1, 2017.

Sec. 3. Subsection (a) of section 14-253a of the 2016 supplement to the general statutes is repealed and the following is substituted in lieu thereof (*Effective January 1, 2017*):

55



E-mail from Joe Cassidy to Bruce Spiewak

The statute requiring the use of the symbol states directly that this symbol is an equivalent facilitation. – “Such symbol shall signify equivalent facilitation and accessibility as the previously used international symbol of access.”

This is the opinion I received from the Governor’s office counsel responsible for writing the law. My guess is an AG opinion would say the same, in more depth and more eloquently, and probably arrive six months from now.

56



The problem: The U.S. Access Board doesn't agree with the Connecticut public act

<https://www.access-board.gov/guidelines-and-standards/buildings-and-sites/about-the-ada-standards/guide-to-the-ada-standards/guidance-on-the-isa>

57



From the Access Board guidance document:

Use of a symbol other than the ISA is permitted under the ADA Standards only if it satisfies the equivalent facilitation provision and under the ABA Standards only if a waiver or modification is issued. Otherwise, where the ADA or ABA Standards require accessible spaces or elements to be identified by the ISA, the ISA must be used even where a state or local code or regulation specifies a different symbol.



58



As building officials, we enforce the Connecticut State Building Code, so we have to require the new symbol.

Question:

Is the new symbol required for projects permitted under the old code, or under the new code but prior to January 1, 2017?

59



Statute 14-253a:

(h) Parking spaces designated for persons who are blind and persons with disabilities on or after October 1, 1979, and prior to October 1, 2004, shall be as near as possible to a building entrance or walkway and shall be fifteen feet wide including three feet of cross hatch, or parallel to a sidewalk on a public highway. On and after October 1, 2004, parking spaces for passenger motor vehicles designated for persons who are blind and persons with disabilities shall be as near as possible to a building entrance or walkway and shall be fifteen feet wide including five feet of cross hatch. On and after October 1, 2004, parking spaces for passenger vans designated for persons who are blind and persons with disabilities shall be as near as possible to a building entrance or walkway and shall be sixteen feet wide including eight feet of cross hatch. Such spaces shall be designated by above grade signs with white lettering against a blue background and shall bear the words "handicapped parking permit required" and "violators will be fined". Such sign shall also bear the international symbol of access. On and after January 1, 2017, whenever such a sign is replaced, repaired or erected it shall bear the words "reserved parking permit required" and "violators will be fined", bear the symbol of access and indicate the minimum fine for a violation of subsection (f) of this section. Such indicator may be in the form of a notice affixed to such a sign.

60



61



#11:

Can two accessible parking spaces share the cross-hatched aisle?

62



NO!

Connecticut General Statute 14-253a



CSBC 1106.1.1 and 1106.5.1

63



1106.1.1 Automobile accessible parking spaces. Pursuant to subsection (h) of section 14-253a of the Connecticut General Statutes, parking spaces for passenger motor vehicles designated for persons who are blind and persons with disabilities shall be as near as possible to a building entrance or walkway and shall be 15 feet wide including 5 feet of cross hatch.

1106.5.1 Van accessible parking spaces. Pursuant to subsection (h) of section 14-253a of the Connecticut General Statutes, parking spaces for passenger vans designated for persons who are blind and persons with disabilities shall be as near as possible to a building entrance or walkway and shall be 16 feet wide including 8 feet of cross hatch.

64



Compare Connecticut statute to ICC/ANSI A117.1 and to the ADA:

65



ICC/ANSI A117.1-2009

502.4 Access Aisle. Car and van parking spaces shall have an adjacent access aisle complying with Section 502.4.

502.4.1 Location. Access aisles shall adjoin an accessible route. Two parking spaces shall be permitted to share a common access aisle. Access aisles shall not overlap with the vehicular way. Parking spaces shall be permitted to have access aisles placed on either side of the car or van parking space. Van parking spaces that are angled shall have access aisles located on the passenger side of the parking space.

66



ADA 2010

502.2 Vehicle Spaces. Car parking spaces shall be 96 inches (2440 mm) wide minimum and van parking spaces shall be 132 inches (3350 mm) wide minimum, shall be marked to define the width, and shall have an adjacent access aisle complying with 502.3.

EXCEPTION: Van parking spaces shall be permitted to be 96 inches (2440 mm) wide minimum where the access aisle is 96 inches (2440 mm) wide minimum.

502.3 Access Aisle. Access aisles serving parking spaces shall comply with 502.3. Access aisles shall adjoin an accessible route. Two parking spaces shall be permitted to share a common access aisle.

67



#12:

When does a sidewalk have to be treated as an exterior ramp?

68



CSBC 2016

SECTION 202 DEFINITIONS

RAMP. A walking surface that has a running slope steeper than one unit vertical in 20 units horizontal (5-percent slope).

69



ICC/ANSI A117.1-2009

303.4 Ramps. Changes in level greater than 1/2 inch (13 mm) in height shall be ramped and shall comply with Section 405 or 406.

405 Ramps

405.1 General. Ramps along accessible routes shall comply with Section 405.

EXCEPTION: In assembly areas, aisle ramps adjacent to seating and not serving elements required to be on an accessible route shall not be required to comply with Section 405.

405.2 Slope. Ramp runs shall have a running slope greater than 1:20 and not steeper than 1:12.

70



Any walking surface with a slope/gradient steeper than 1:20 is a ramp.

Once it is a ramp, it must meet all requirements for a ramp:

- Maximum rise
- Minimum width
- Handrails on both sides
- Edge run-off protection

71



#13:

If a building is equipped with a platform lift for access, can the management keep the key in the office to prevent unauthorized use of the lift?

72



NO!

From the U.S. Access Board web site:

<https://www.access-board.gov/guidelines-and-standards/buildings-and-sites/about-the-ada-standards/guide-to-the-ada-standards/chapter-4-elevators-and-platform-lifts>

73



Can platform lifts be locked?

The Standards require “unassisted” entry and exit from lifts (§410.1). Situations in which platform lifts are locked and require users to request or retrieve a key for operation will not satisfy this requirement for independent operation. Platform lifts can be locked during those times when the space or facility they serve is closed.

74



#14:

Where and when do the doors to accessible toilet stalls need to have pull handles to close the door?

75



ICC/ANSI A117.1 - 2009

604.9.3 Doors. Toilet compartment doors, including door hardware, shall comply with Section 404, except if the approach is to the latch side of the compartment door clearance between the door side of the stall and any obstruction shall be 42 inches (1065 mm) minimum. The door shall be self-closing. A door pull complying with Section 404.2.6 shall be placed on both sides of the door near the latch. Toilet compartment doors shall not swing into the required minimum area of the compartment.

76



CSBC 2016

1109.2.2.1 Pull handle. Where accessible water closet compartments **or** single occupancy toilet rooms are provided, the compartment or room doors shall have a pull handle mounted 6 inches from the hinge side on the compartment or room side of the door. This handle shall be between 26 inches and 36 inches from the floor and shall meet the requirements of Section 404.2.6 of ICC/ANSI A117.1.

Exceptions:

77



CSBC 2016

Exceptions:

1. Compartments or rooms with self-closing, self-latching doors.
2. Doors that swing into the compartment or room.

78



Near the latch –
Satisfies ICC/ANSI
A117.1



79



Near hinge –
Satisfies CSBC



80



One near hinge, one
near latch –

Both are necessary
for full code
compliance



81



#15:

Are egress stairs serving areas of refuge required to provide 48 inches
clear between handrails?

82



YES

1007.2 Continuity and components. Each required *accessible means of egress* shall be continuous to a *public way* and shall consist of one or more of the following components:

...

9. *Areas of refuge* complying with Section 1007.6.

...

83



1007.6 Areas of refuge. Every required *area of refuge* shall be *accessible* from the space it serves by an *accessible means of egress*. The maximum travel distance from any *accessible* space to an *area of refuge* shall not exceed the travel distance permitted for the occupancy in accordance with Section 1016.1. Every required *area of refuge* shall have direct access to a *stairway* complying with Sections 1007.3 or an elevator complying with Section 1007.4. Where an elevator lobby is used as an *area of refuge*, the shaft and lobby shall comply with Section 1022.10 for smokeproof enclosures except where the elevators are in an *area of refuge* formed by a *horizontal exit* or smoke barrier.

84



1007.3 Stairways. In order to be considered part of an *accessible means of egress*, a *stairway* between stories shall have a clear width of 48 inches (1219 mm) minimum between handrails and shall either incorporate an *area of refuge* within an enlarged floor-level landing or shall be accessed from either an *area of refuge* complying with Section 1007.6 or a *horizontal exit*. *Exit access stairways* that connect levels in the same story are not permitted as part of an *accessible means of egress*.

85



Exceptions:

1. The clear width of 48 inches (1219 mm) between *handrails* is not required in buildings equipped throughout with an *automatic sprinkler system* installed in accordance with Section 903.3.1.1 or 903.3.1.2.
2. *Areas of refuge* are not required at *stairways* in buildings equipped throughout by an *automatic sprinkler system* installed in accordance with Section 903.3.1.1 or 903.3.1.2.
3. The clear width of 48 inches (1219 mm) between *handrails* is not required for *stairways* accessed from a *horizontal exit*.

...

86



#16:

What's the difference between an area of refuge, and an area of rescue assistance?

87



CSBC 2016

SECTION 202 DEFINITIONS

AREA OF REFUGE. An area where persons unable to use *stairways* can remain temporarily to await instructions or assistance during emergency evacuation.

AREA OF RESCUE ASSISTANCE. *Not defined*

BUT ...

88



CSBC Chapter 10

1007.2 Continuity and components. Each required *accessible means of egress* shall be continuous to a *public way* and shall consist of one or more of the following components:

1. *Accessible* routes complying with Section 1104.
-
9. *Areas of refuge* complying with Section 1007.6.
10. Exterior area for assisted rescue complying with Section 1007.7.

89



AREA OF REFUGE

- Accessed by an accessible means of egress
- Direct access to a stairway complying with 1007.3, or an elevator
- Sized for one wheelchair space per each 200 occupants
- Separated from the remainder of the story
- Equipped with a two-way communication system

90



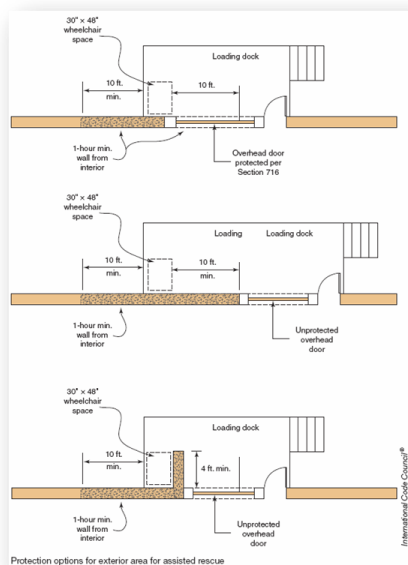
AREA OF ASSISTED RESCUE

- Exterior
- Accessed by an accessible route from area served
- Sized for one wheelchair space per each 200 occupants
- Used where exit discharge does not include an accessible path to grade
- Separated from the interior of the building
- Open to outside air
- Served by stairway providing at least 48" clear between handrails

91



Courtesy of
Kim Paarlberg,
ICC



92



#17:

How deeply can a door be recessed into a thick wall?

93




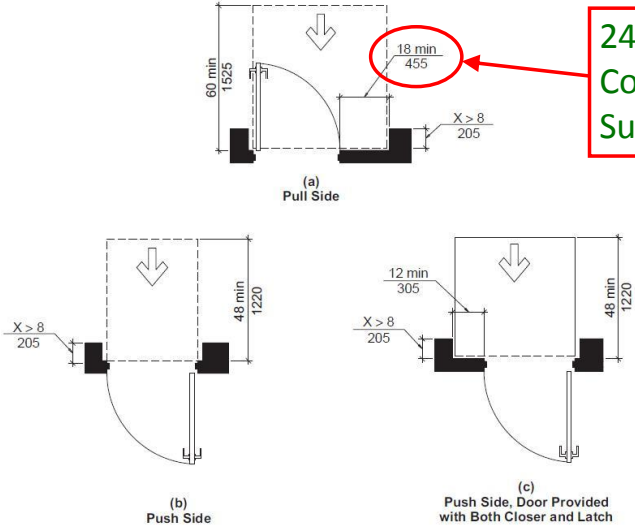
ICC/ANSI A117.1 - 2009

404.2.3 Maneuvering Clearances. Minimum maneuvering clearances at doors shall comply with Section 404.2.3 and shall include the full clear opening width of the doorway. Required door maneuvering clearances shall not include knee and toe clearance.

(Amd) **404.2.3.5 Recessed doors.** Where any obstruction within 24 inches of the latch side of a doorway projects more than 8 inches beyond the face of the door, measured perpendicular to the face of the door, maneuvering clearances for a forward approach shall be provided.

94

 DEPARTMENT OF ADMINISTRATIVE SERVICES
OFFICE OF EDUCATION AND DATA MANAGEMENT



60 min
1525

18 min
455

X > 8
205

(a) Pull Side

48 min
1220

X > 8
205

(b) Push Side

12 min
305

X > 8
205


48 min
1220

(c) Push Side, Door Provided with Both Closer and Latch

FIG. 404.2.3.5
MANEUVERING CLEARANCE AT RECESSED DOORS

95

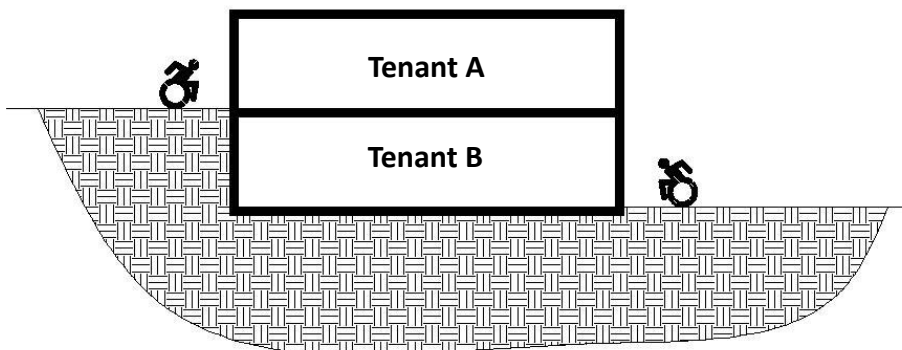
**24" Min.
Connecticut
Supplement**

 DEPARTMENT OF ADMINISTRATIVE SERVICES
OFFICE OF EDUCATION AND DATA MANAGEMENT

#18:

In a two-story building on a slope, with grade-level entrances to both stories, is an elevator required to connect the two stories?

96



97



NO elevator required.

CSBC 2016

1104.2 Within a site. At least one *accessible route* shall connect *accessible buildings, accessible facilities, accessible elements* and *accessible spaces* that are on the same *site*.

Exception: An *accessible route* is not required between *accessible buildings, accessible facilities, accessible elements* and *accessible spaces* that have, as the only means of access between them, a vehicular way not providing for pedestrian access.

98

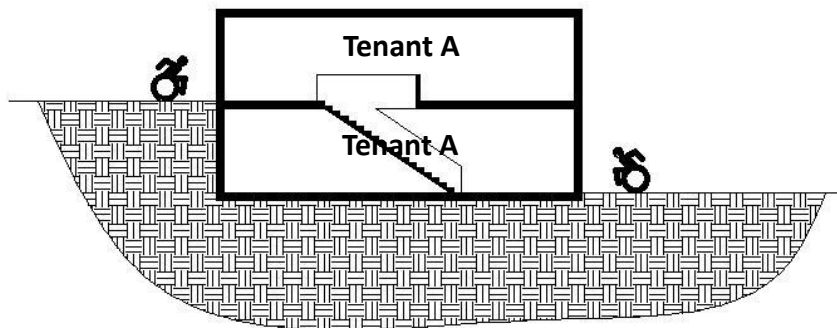


BUT ...



1104.5 Location. Accessible routes shall coincide with or be located in the same area as a general *circulation path*. Where the *circulation path* is interior, the *accessible route* shall also be interior. Where only one *accessible route* is provided, the *accessible route* shall not pass through kitchens, storage rooms, restrooms, closets or similar spaces.

99



100



Now an elevator is required.

Once an interior path of circulation is provided between two spaces required to be accessible, there must also be an interior **accessible** path of circulation.

101



#19:

I'm doing a renovation and alteration to a municipal town hall. Does an accessible route have to be provided to all offices on all floors?

102



- Yes
- No
- Maybe
- It depends
- I don't have any idea

103



CSBC 2016

Chapter 34 – Existing Buildings

SECTION 3411

ACCESSIBILITY FOR EXISTING BUILDINGS

3411.6 Alterations. A *facility* that is altered shall comply with the applicable provisions in Chapter 11 of this code, unless *technically infeasible*. Where compliance with this section is *technically infeasible*, the *alteration* shall provide access to the maximum extent technically feasible.

104



Exceptions:

1. The altered element or space is not required to be on an *accessible route*, unless required by Section 3411.7.
2. *Accessible means of egress* required by Chapter 10 are not required to be provided in existing facilities.

105



3411.7 Alterations affecting an area containing a primary function.

Where an *alteration* affects the accessibility to, or contains an area of *primary function*, the route to the *primary function* area shall be *accessible*. The *accessible route* to the *primary function* area shall include toilet facilities or drinking fountains serving the area of *primary function*.

106



Chapter 11

1103.1 Where required. *Sites, buildings, structures, facilities, elements and spaces, temporary or permanent, shall be accessible to persons with physical disabilities.*

1103.2 General exceptions. *Sites, buildings, structures, facilities, elements and spaces shall be exempt from this chapter to the extent specified in this section.*

107



1103.2.1 Specific requirements. *Accessibility is not required in buildings and facilities, or portions thereof, to the extent permitted by Sections 1104 through 1110.*

1103.2.2 Existing buildings. Existing buildings shall comply with Section 3411.

1103.2.3 Employee work areas. Spaces and elements within employee work areas shall only be required to comply with Sections 907.5.2.3.2, 1007 and 1104.3.1 and shall be designed and constructed so that individuals with disabilities can approach, enter and exit the work area. Work areas, or portions of work areas, that are less than 300 square feet (30 m²) in area and located 7 inches (178 mm) or more above or below the ground or finish floor where the change in elevation is essential to the function of the space shall be exempt from all requirements.

108



What was the question again?

Does an accessible route have to be provided to all offices on all floors?



Is an office an area containing a primary function?

109



CSBC 2016 – Chapter 2 DEFINITIONS

PRIMARY FUNCTION. A primary function is a major activity for which the *facility* is intended. Areas that contain a primary function include, but are not limited to, the customer service lobby of a bank, the dining area of a cafeteria, the meeting rooms in a conference center, as well as offices and other work areas in which the activities of the public accommodation or other private entity using the *facility* are carried out. Mechanical rooms, boiler rooms, supply storage rooms, employee lounges or locker rooms, janitorial closets, entrances, *corridors* and restrooms are not areas containing a primary function.

110



- Offices are areas containing a primary function (Chapter 2, Definitions)
- Where an *alteration* affects the accessibility to, or contains an area of *primary function*, the route to the *primary function* area shall be *accessible*. (Chapter 34, Section 3411.7)



Answer: Yes ... for all floors involved in the alteration/renovation

111



#20:

In applying the “20-percent” rule for alterations to existing buildings, what work is included in the project cost for calculating the 20 percent, and what work is excluded?

112



CSBC 2016 – Chapter 34

3411.7 Alterations affecting an area containing a primary function.

Where an *alteration* affects the accessibility to, or contains an area of *primary function*, the route to the *primary function* area shall be *accessible*. The *accessible route* to the *primary function* area shall include toilet facilities or drinking fountains serving the area of *primary function*.

113



Exceptions:

1. The costs of providing the *accessible route* are not required to exceed 20 percent of the costs of the *alterations* affecting the area of *primary function*.

114



2012 IBC Commentary

An area containing a primary function is one in which a major activity for which the building or facility is intended is carried out. For example, the lobby of a hotel in which the registration and check-out desk is located would be a primary function area. Other examples would be the dining area of a restaurant, the meeting rooms or exhibition halls in a conference center, **virtually all office and work areas in a business building** and retail display areas in a mercantile occupancy.

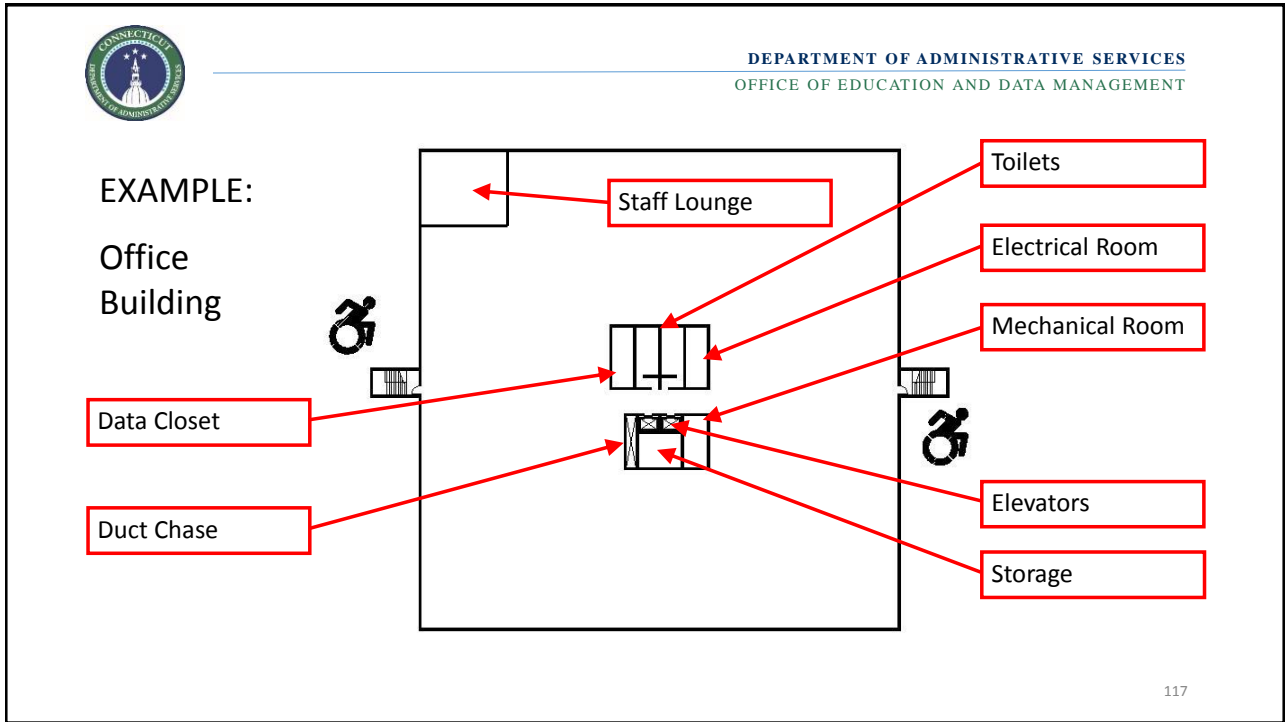
115



2012 IBC Commentary

The requirement for a complete accessible route does not apply when the cost of providing it exceeds 20 percent of the cost of the alterations or addition to the primary function area. These costs are intended to be based on the actual costs of the planned alterations or addition to the primary function area before consideration of the cost of providing an accessible route.

116



The times, they are a changin'

118



1996 BOCA

1110.2.1 Alterations affecting an area containing a primary function. Where an *alteration* affects the usability of, or access to, an area containing a primary function, an accessible route to the primary function area shall be provided. The accessible route to the primary function area shall include any restrooms or drinking fountains serving the primary function area.

2012 IBC

3411.7 Alterations affecting an area containing a primary function. Where an alteration affects the accessibility to, or contains an area of *primary function*, the route to the primary function area shall be accessible. The accessible route to the *primary function* area shall include toilet facilities or drinking fountains serving the area of primary function.

119



1996 BOCA

Exceptions

1. Where the cost of providing the accessible route exceeds 20 percent of the costs of the *alterations* affecting the primary function area.
2. *Alterations* to windows, hardware, operating controls electrical outlets and signage.



2012 IBC

Exceptions:



1. The costs of providing the *accessible route* are not required to exceed 20 percent of the costs of the *alterations* affecting the area of *primary function*.
2. This provision does not apply to *alterations* limited solely to windows, hardware, operating controls, electrical outlets and signs.

120



1996 BOCA

Exceptions

3. *Alterations* to mechanical systems, electrical systems, installations or *alterations of fire protection systems*, and abatement of hazardous materials. 
4. *Alterations* undertaken for the primary purpose of increasing the accessibility of an existing building, facility or element. 

2012 IBC

Exceptions (Cont.):

3. This provision does not apply to *alterations* limited solely to mechanical systems, electrical systems, installation or alteration of fire protection systems and abatement of hazardous materials.
4. This provisions does not apply to *alterations* undertaken for the primary purpose of increasing the accessibility of a *facility*.

121



122