

**LEGEND:**

- STATE RIGHT-OF-WAY LINE
- TEMPORARY ACCESS ROAD
- PROPOSED BRIDGE
- PAVEMENT
- GRADING
- NAUGATUCK RAILROAD

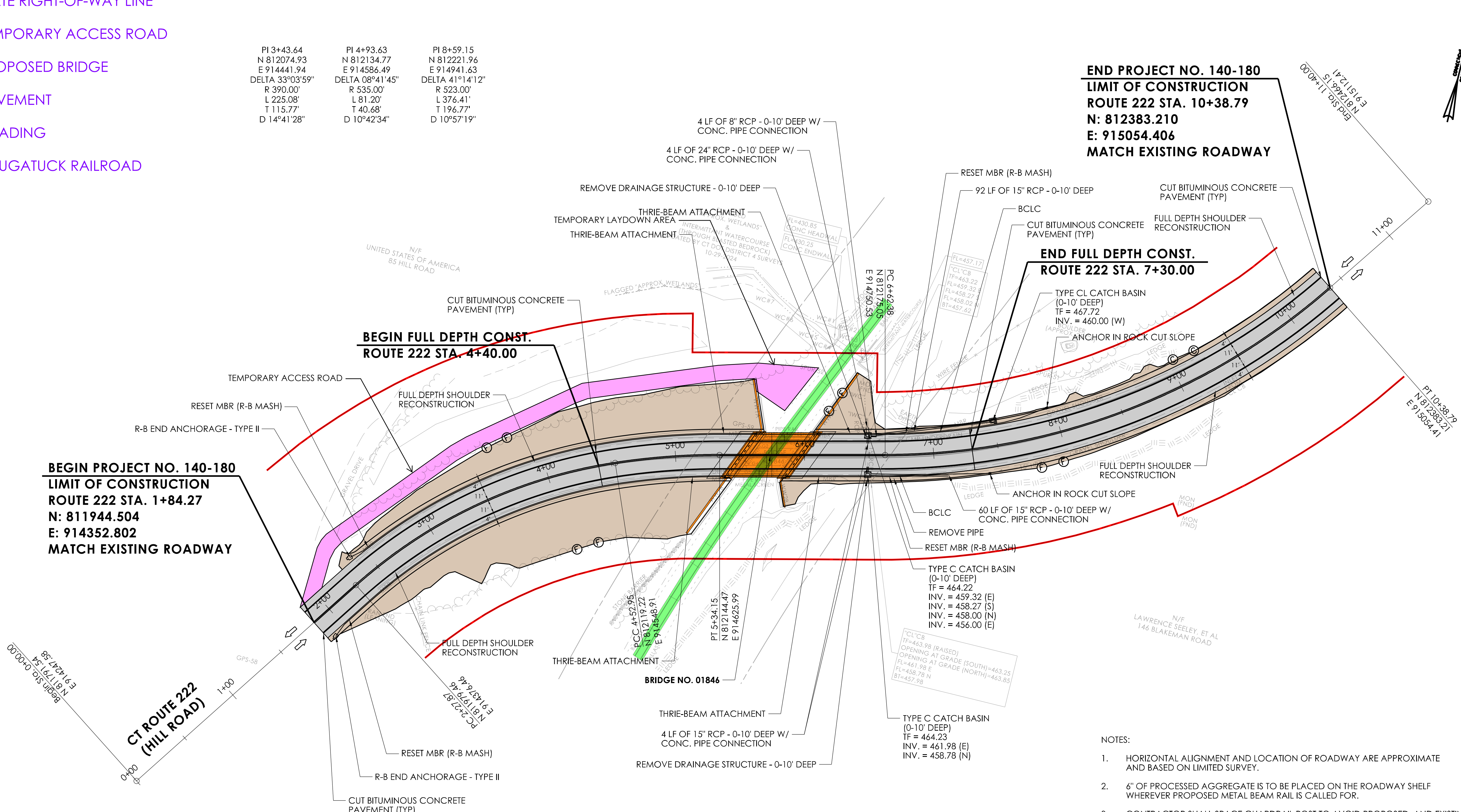
PI 3+43.64 N 812074.93 E 914441.94 DELTA 33°03'59" R 390.00' L 225.08' T 115.77' D 14°41'28"	PI 4+93.63 N 812134.77 E 914586.49 DELTA 08°41'45" R 535.00' L 81.20' T 40.68' D 10°42'34"	PI 8+59.15 N 812221.96 E 914941.63 DELTA 41°14'12" R 523.00' L 376.41' T 196.77' D 10°57'19"
---	---	---

**END PROJECT NO. 140-180  
LIMIT OF CONSTRUCTION  
ROUTE 222 STA. 10+38.79  
N: 812383.210  
E: 915054.406  
MATCH EXISTING ROADWAY**

**END FULL DEPTH CONST.  
ROUTE 222 STA. 7+30.00**

**BEGIN FULL DEPTH CONST.  
ROUTE 222 STA. 4+40.00**

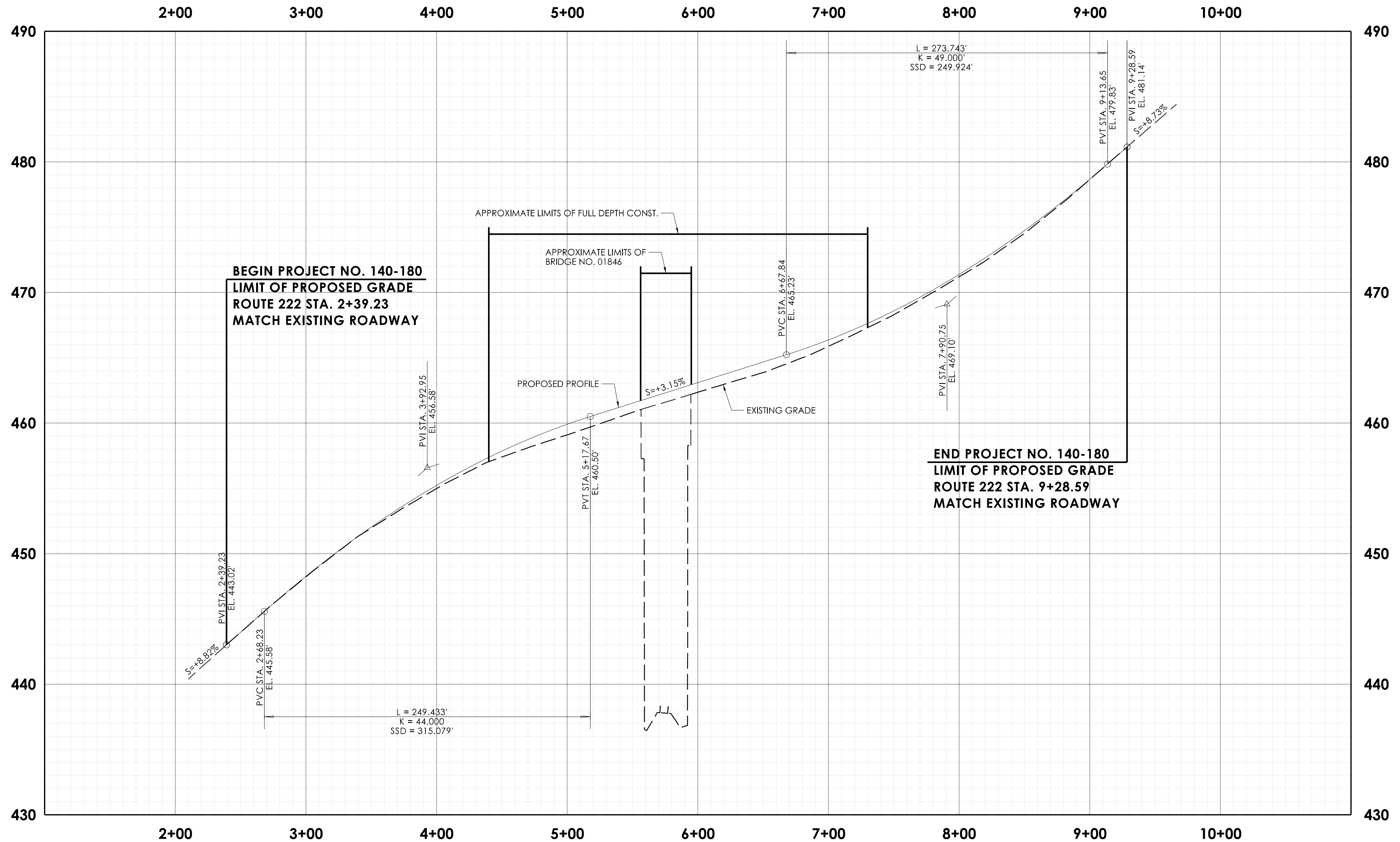
**BEGIN PROJECT NO. 140-180  
LIMIT OF CONSTRUCTION  
ROUTE 222 STA. 1+84.27  
N: 811944.504  
E: 914352.802  
MATCH EXISTING ROADWAY**



- NOTES:**
- HORIZONTAL ALIGNMENT AND LOCATION OF ROADWAY ARE APPROXIMATE AND BASED ON LIMITED SURVEY.
  - 6" OF PROCESSED AGGREGATE IS TO BE PLACED ON THE ROADWAY SHELF WHEREVER PROPOSED METAL BEAM RAIL IS CALLED FOR.
  - CONTRACTOR SHALL SPACE GUARDRAIL POST TO AVOID PROPOSED AND EXISTING STRUCTURES
  - WHERE SHOWN ASSUMED FULL DEPTH PAVEMENT STRUCTURE IS:
    - 2" HMA S0.5 TRAFFIC LEVEL 2
    - 4" HMA S1.0 TRAFFIC LEVEL 2
    - 14" PROCESSED AGGREGATE BASE
    - STABLE, PREPARED SUBGRADE
  - MILL AND OVERLAY SHALL CONSIST OF 2" - FINE MILLING AND 2" OVERLAY WITH HMA S0.5.

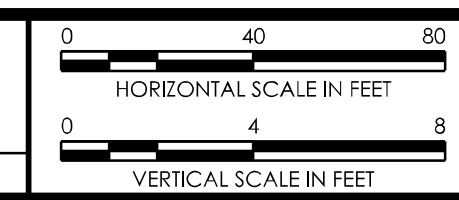
**LEGEND**  
 DIRECTION OF TRAVEL

<table border="1" style="width: 100%; border-collapse: collapse;"> <tr> <th style="font-size: 8px;">REV.</th> <th style="font-size: 8px;">DATE</th> <th style="font-size: 8px;">REVISION DESCRIPTION</th> </tr> <tr> <td> </td> <td> </td> <td> </td> </tr> </table>	REV.	DATE	REVISION DESCRIPTION				SIGNATURE BLOCK: DESIGNER/DRAFTER: _____ CHECKED BY: _____	 HORIZONTAL SCALE 1" = 40'	 CONNECTICUT DEPARTMENT OF TRANSPORTATION	PROJECT TITLE: <b>REPLACEMENT OF BRIDGE NO. 01846</b>	TOWN(S): <b>THOMASTON</b>	DRAWING TITLE: <b>ROADWAY PLAN</b>	PROJECT NO.: <b>0140-0180</b>	DRAWING NO.: SHEET NO.:
REV.	DATE	REVISION DESCRIPTION												



REV.	DATE	REVISION DESCRIPTION

SIGNATURE BLOCK:  
 DESIGNER/DRAFTER: \_\_\_\_\_ CHECKED BY: \_\_\_\_\_



PROJECT TITLE:  
**REPLACEMENT OF BRIDGE NO. 01846**

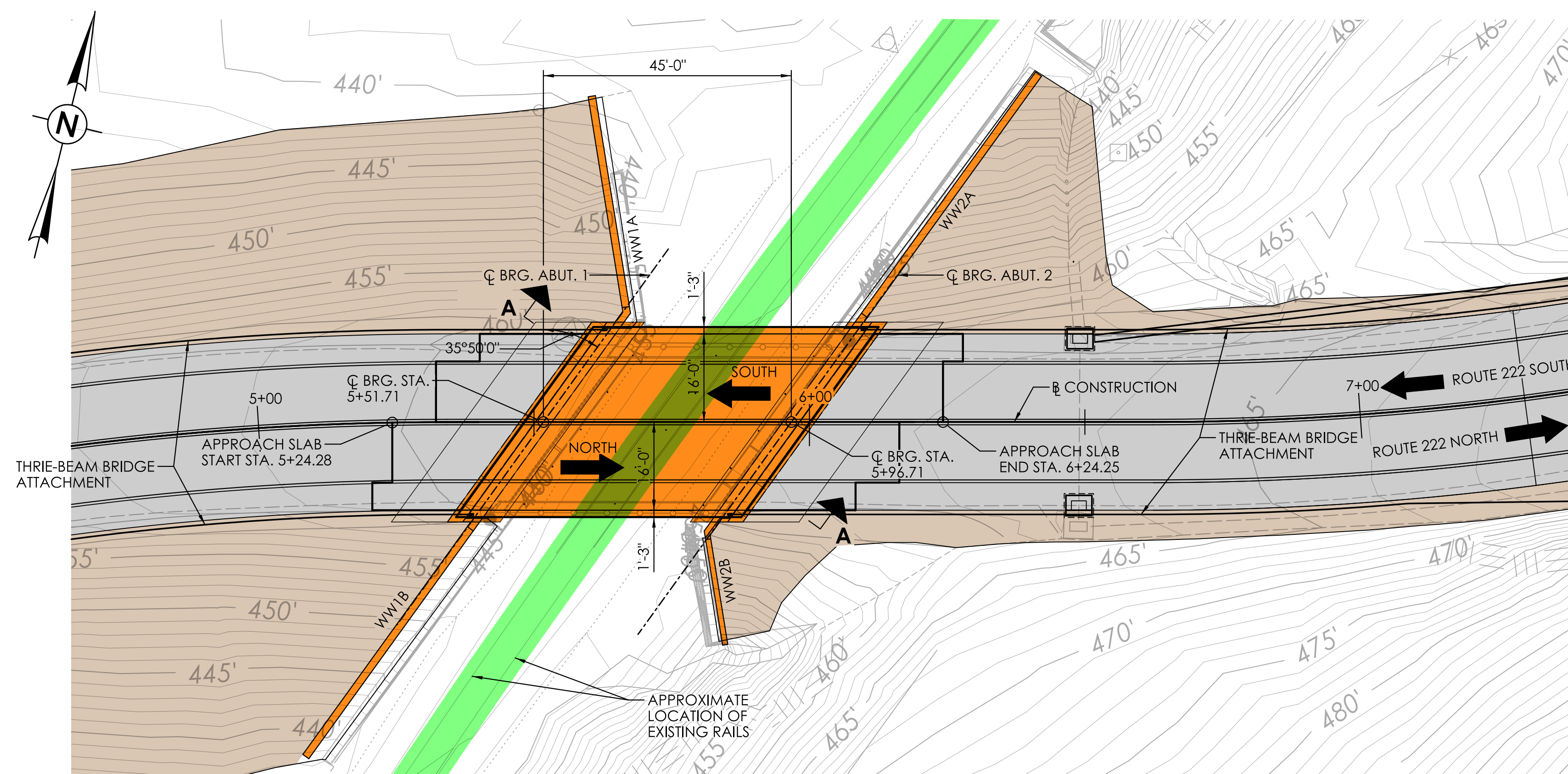
TOWN(S):  
**THOMASTON**

DRAWING TITLE:  
**ROADWAY PROFILE**

PROJECT NO.: **0140-0180**  
 DRAWING NO.: \_\_\_\_\_  
 SHEET NO.: \_\_\_\_\_

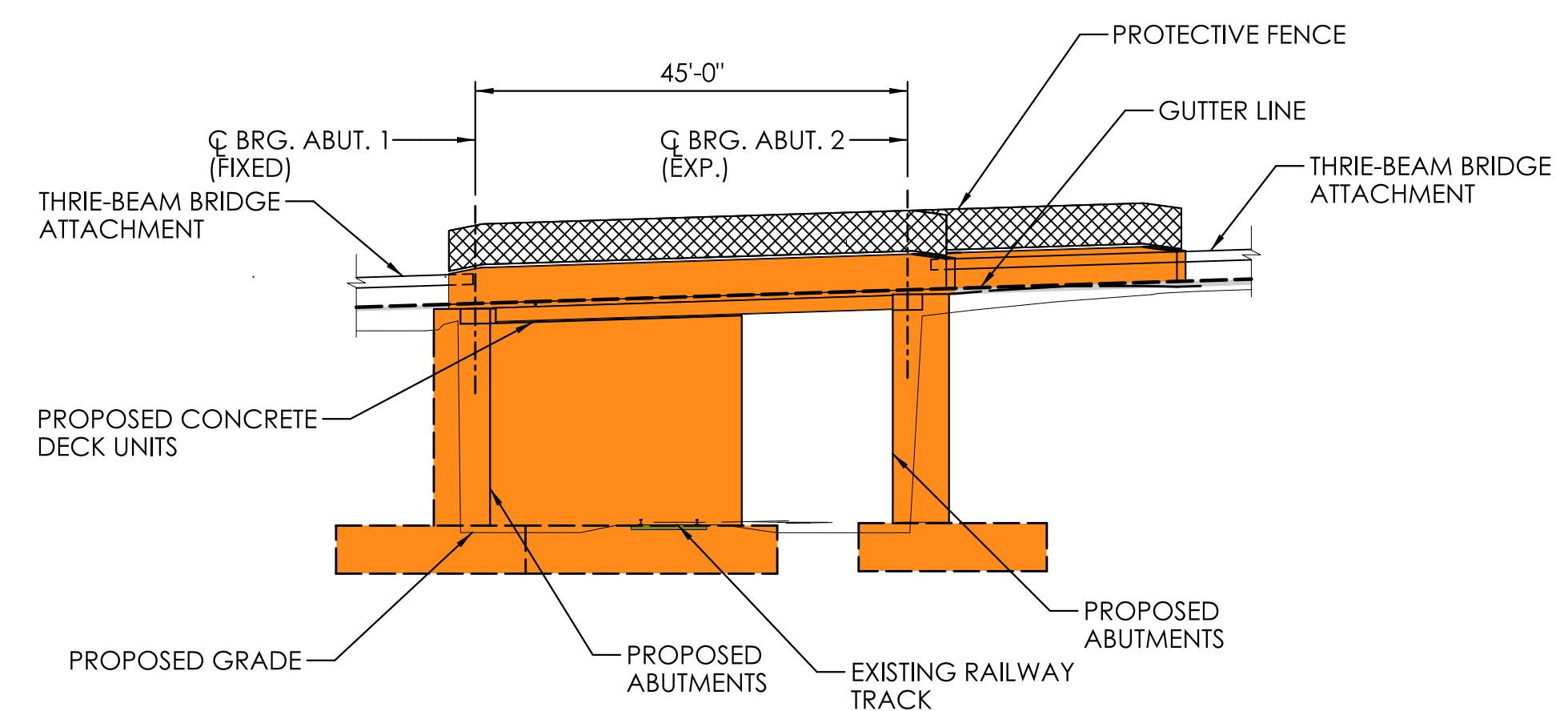
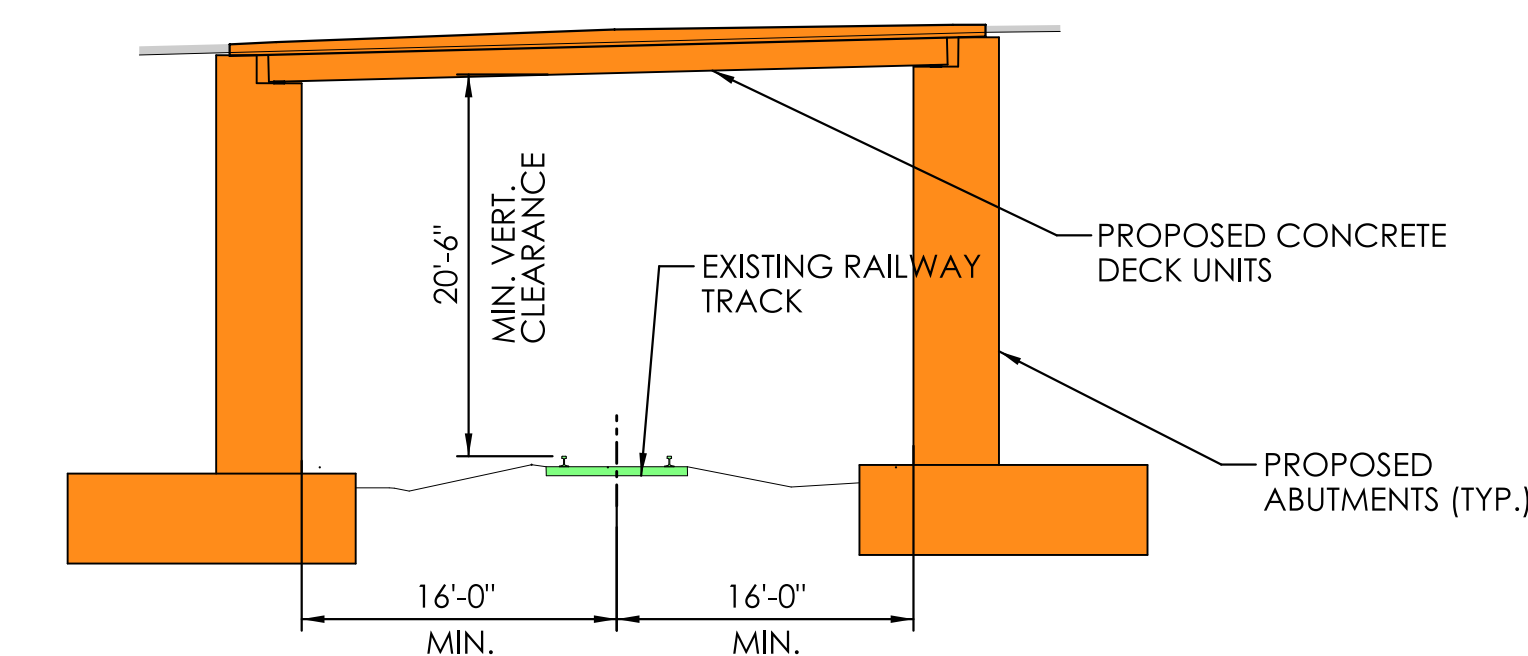
**LEGEND:**

- PROPOSED BRIDGE
- PAVEMENT
- GRADING
- NAUGATUCK RAILROAD

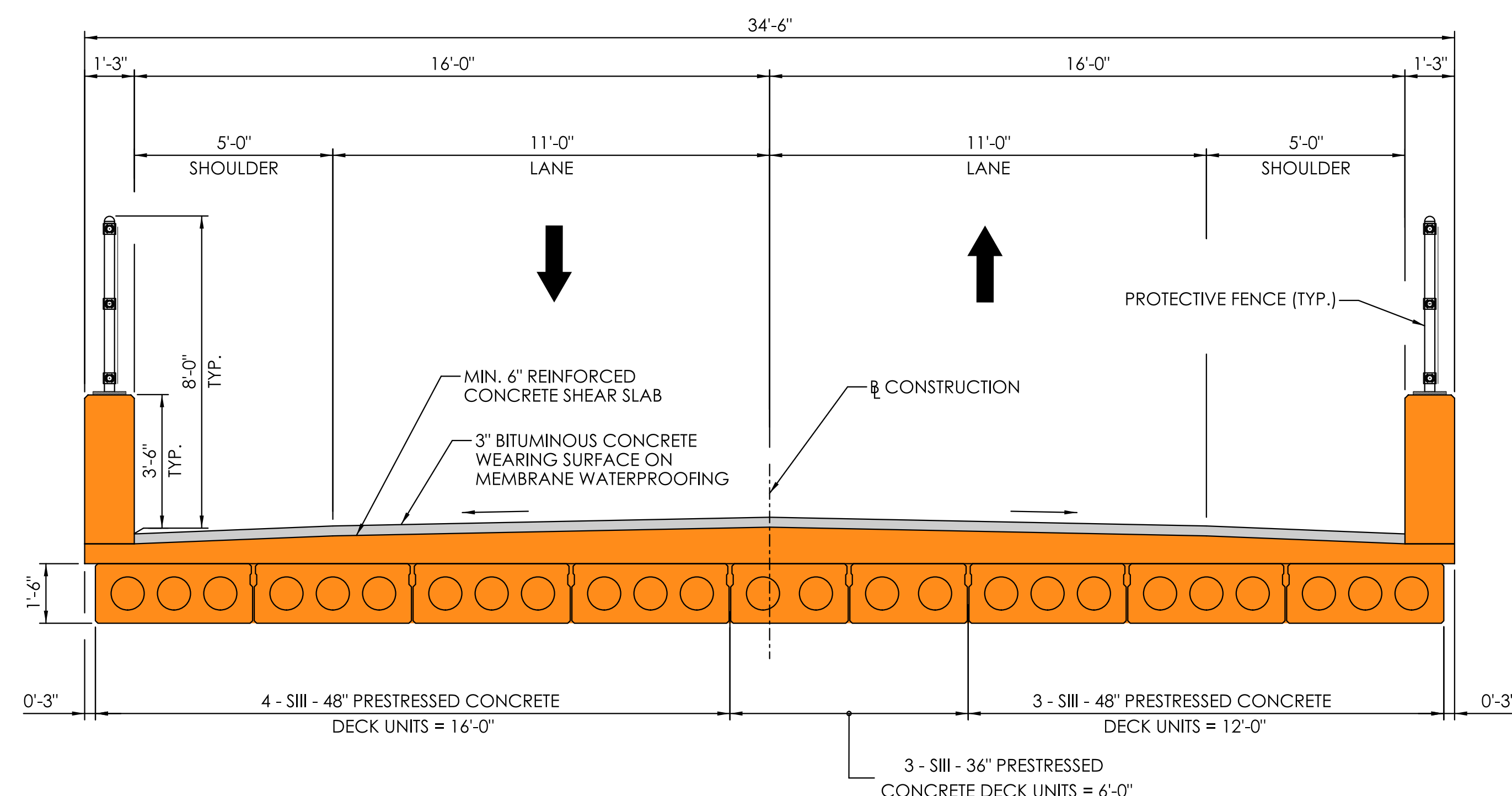


**PLAN**  
SCALE 1/16"=1'-0"

**SECTION A-A (PERPENDICULAR TO TRACKS)**  
SCALE 3/32"=1'-0"



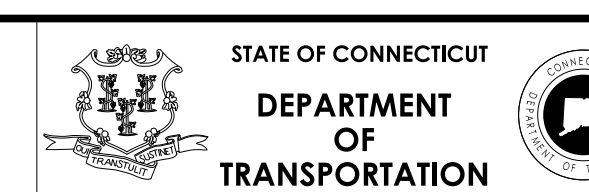
**ELEVATION**  
SCALE 1/16"=1'-0"



**TYPICAL SECTION**  
SCALE 3/8"=1'-0"

REV.	DATE	REVISION DESCRIPTION

DESIGNER/DRAFTER:	CHECKED BY:	SIGNATURE/BLOCK:
-------------------	-------------	------------------

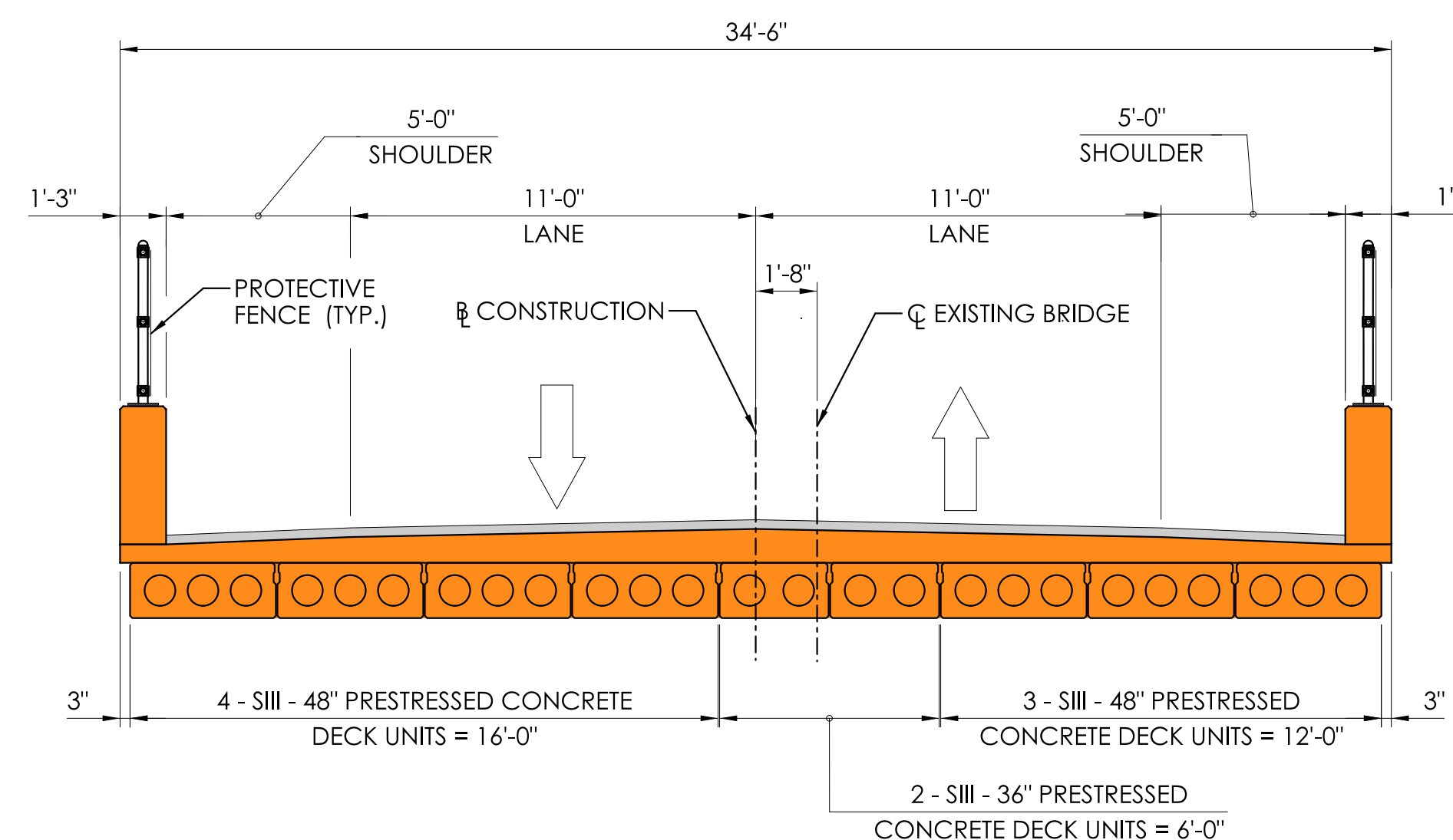
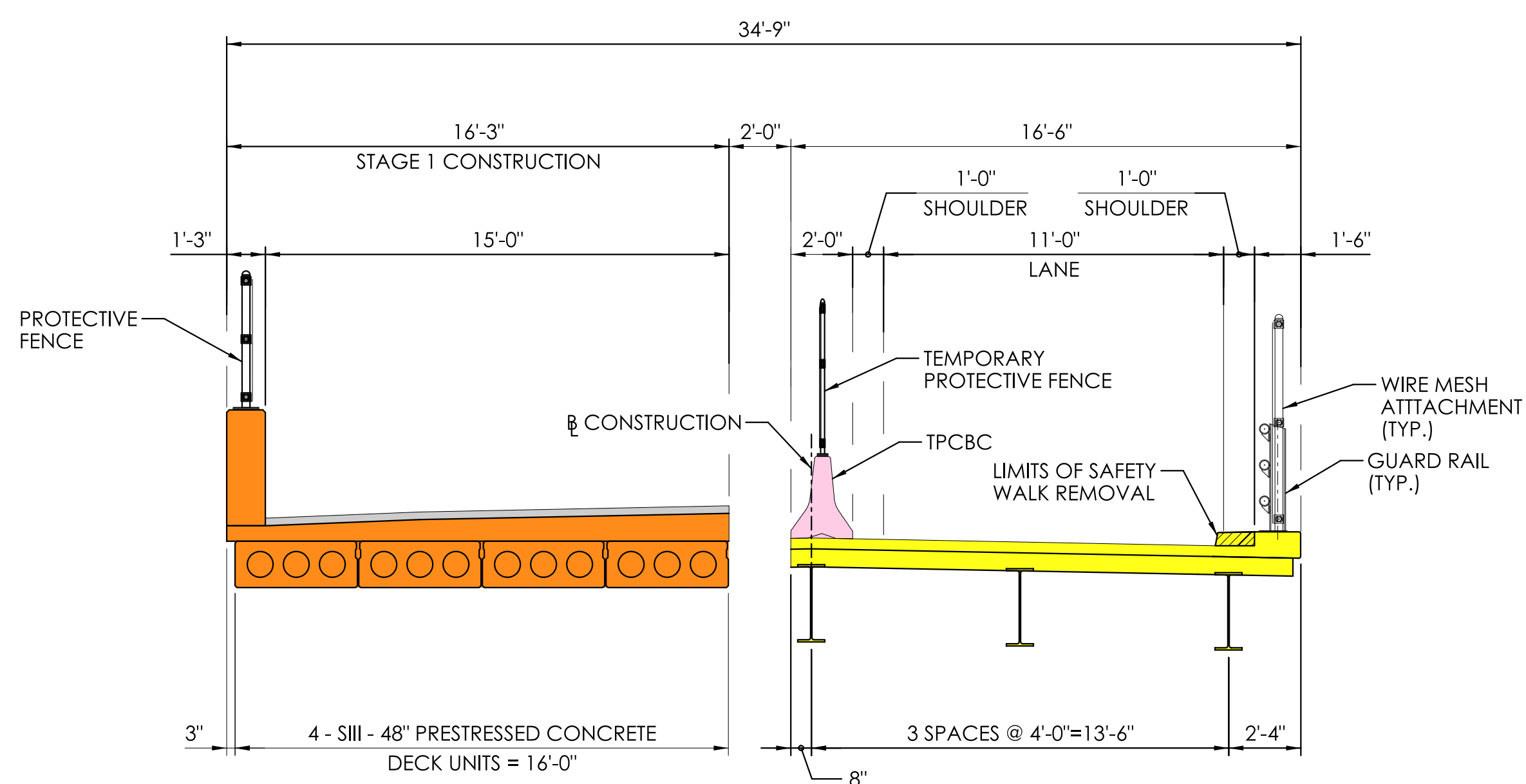
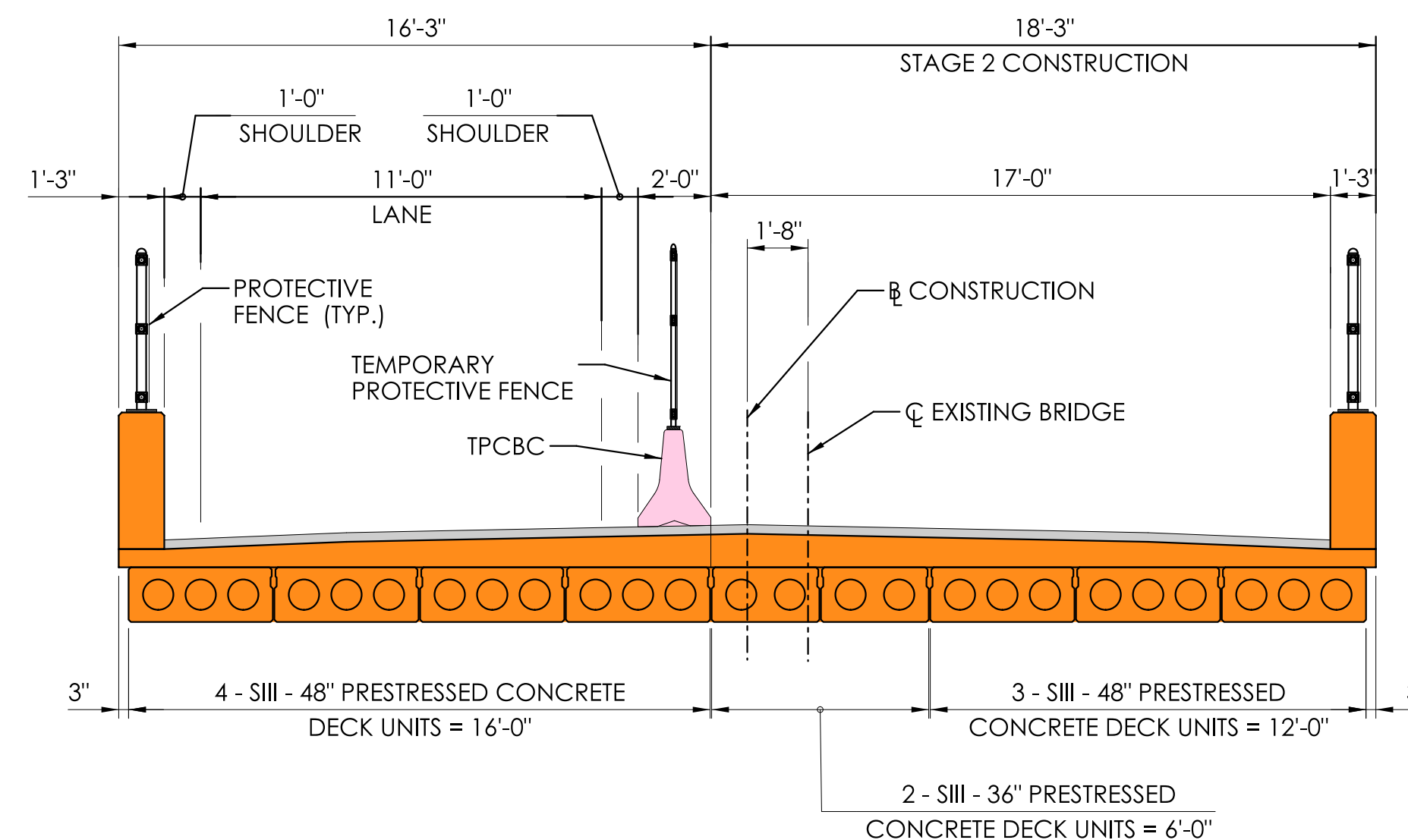
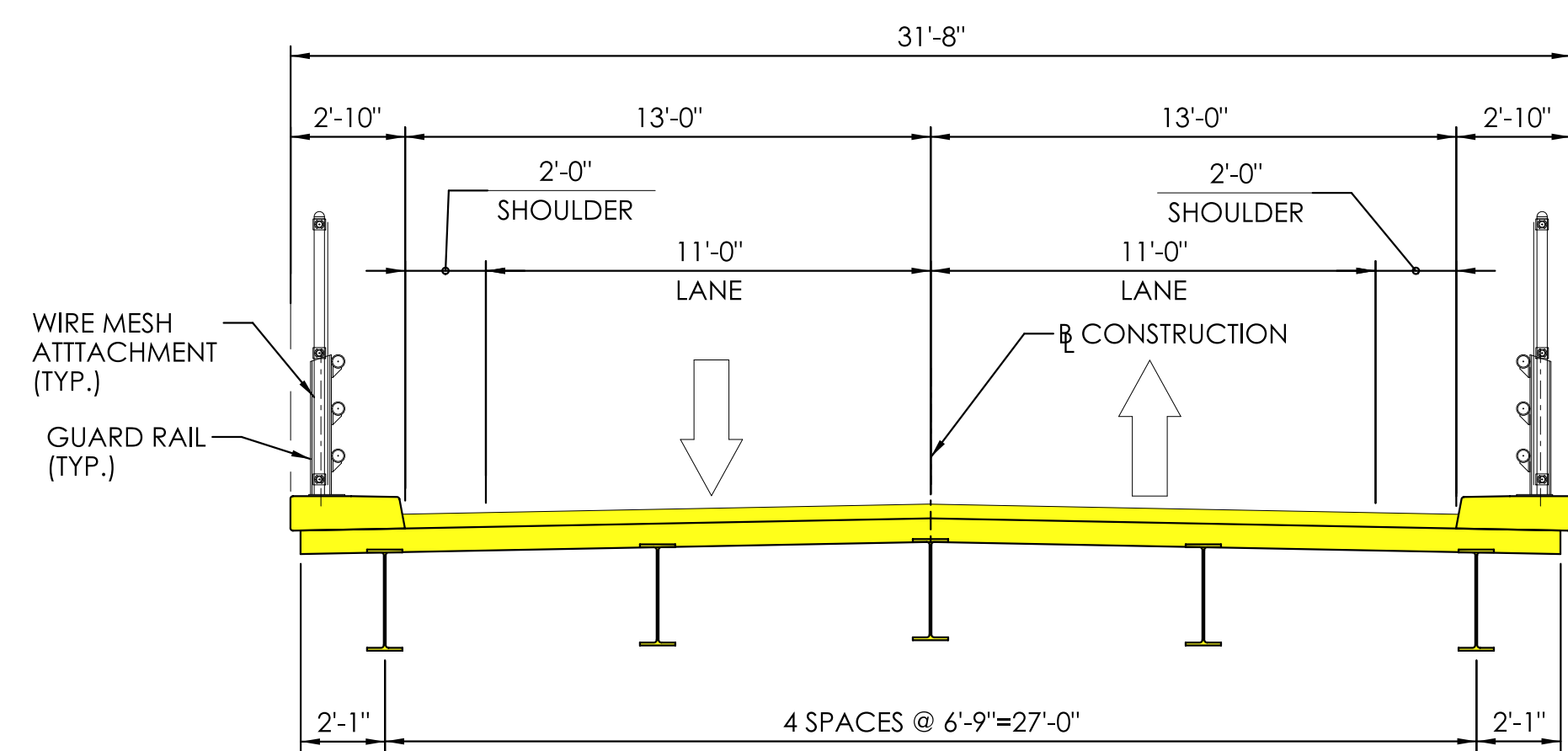


PROJECT NUMBER: 0140-0180  
 PROJECT DESCRIPTION: REPLACEMENT OF BRIDGE NO. 01846  
 TOWN(S): THOMASTON  
 DRAWING TITLE: ELEVATION & TYPICAL SECTION

DRAWING NO.
SHEET NO.

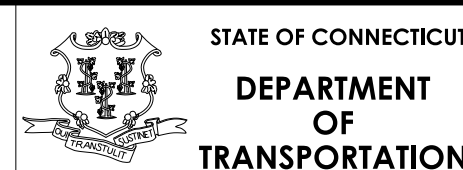
**LEGEND:**

- TEMPORARY TRAFFIC BARRIER
- PROPOSED BRIDGE
- EXISTING BRIDGE
- PAVEMENT



REV.	DATE	REVISION DESCRIPTION

DESIGNER/DRAFTER: \_\_\_\_\_ CHECKED BY: \_\_\_\_\_  
 SIGNATURE/BLOCK: \_\_\_\_\_  
 PROJECT NUMBER: 0140-0180  
 PROJECT DESCRIPTION: REPLACEMENT OF BRIDGE NO. 01846  
 TOWN(S): THOMASTON  
 DRAWING TITLE: CONSTRUCTION STAGING



DRAWING NO. \_\_\_\_\_  
 SHEET NO. \_\_\_\_\_