




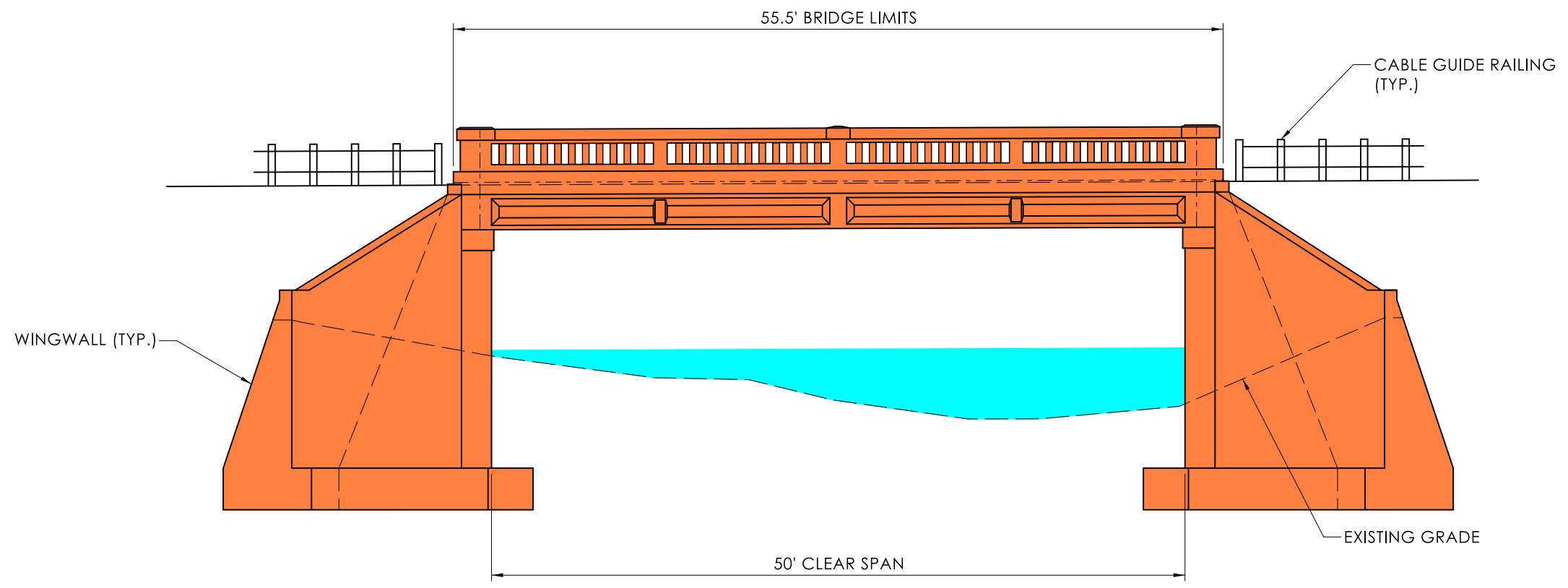
PLAN

SCALE: 1"=20'

LEGEND

	EXISTING BRIDGE
	EXISTING PAVEMENT
	WATERCOURSE

BRIDGE REPLACEMENT GROTON LONG POINT ROAD OVER PALMER COVE	
EXISTING CONDITION	
CITY/TOWN: GROTON	BRIDGE NO. 04675
STATE PROJECT NO.: 0058-0344	DATE: 8/12/2024



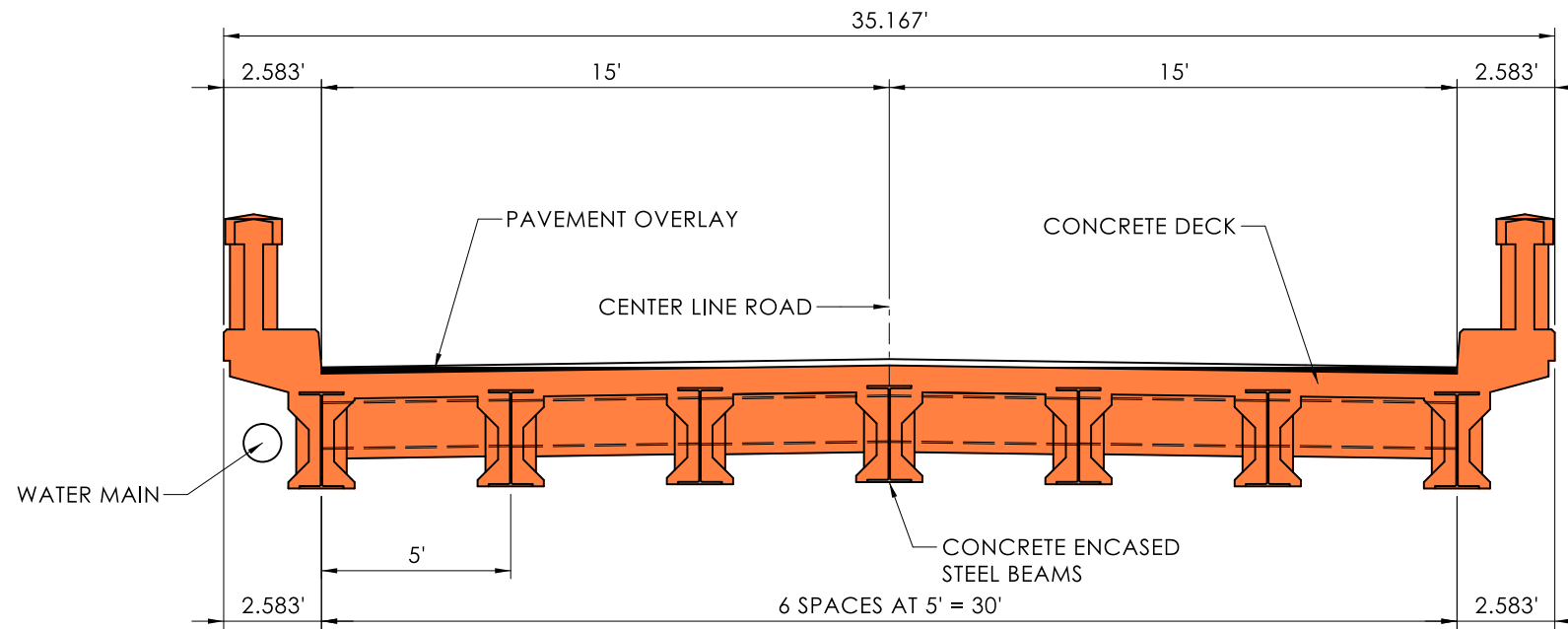
ELEVATION

SCALE: 1"=10'

LEGEND

- EXISTING BRIDGE
- WATERCOURSE

BRIDGE REPLACEMENT	
GROTON LONG POINT ROAD OVER PALMER COVE	
EXISTING CONDITION	
CITY/TOWN: GROTON	BRIDGE NO. 04675
STATE PROJECT NO.: 0058-0344	DATE: 8/12/2024



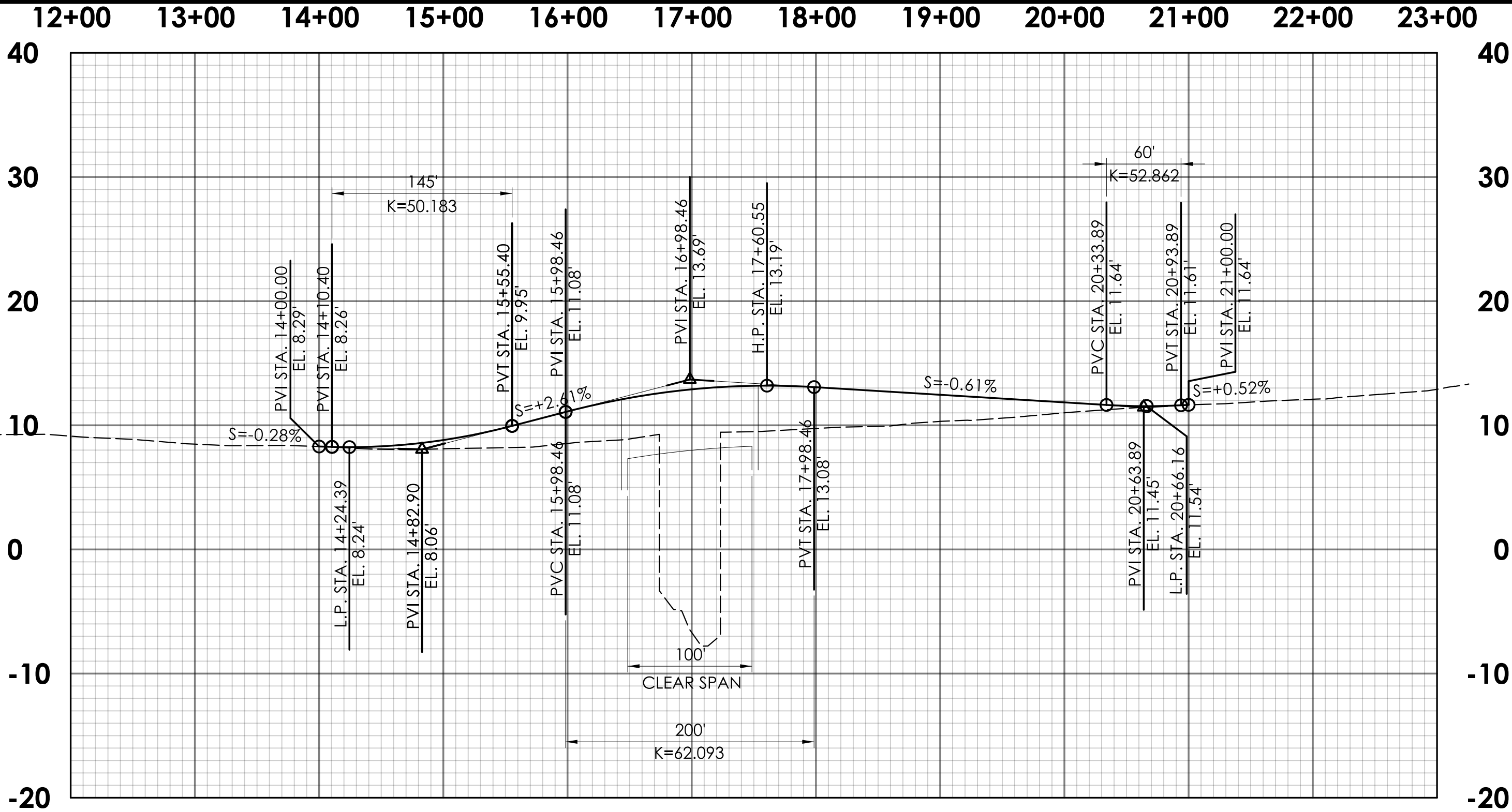
SECTION

SCALE: 1"=5'

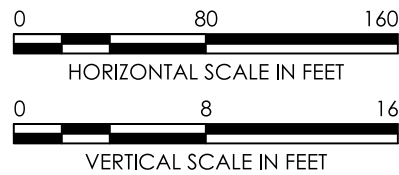
LEGEND

- EXISTING BRIDGE
- BITUMINOUS CONCRETE

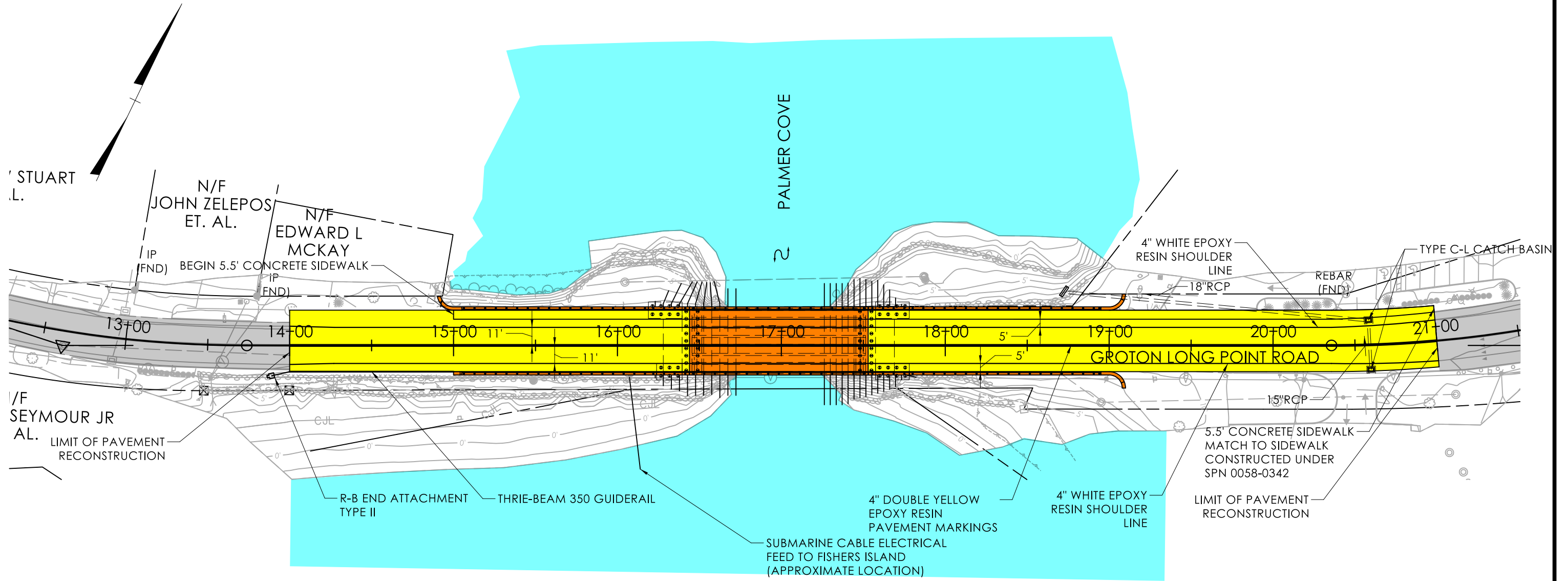
BRIDGE REPLACEMENT	
GROTON LONG POINT ROAD OVER PALMER COVE	
EXISTING CONDITION	
CITY/TOWN: GROTON	BRIDGE NO. 04675
STATE PROJECT NO.: 0058-0344	DATE: 8/12/2024



12+00 13+00 14+00 15+00 16+00 17+00 18+00 19+00 20+00 21+00 22+00 23+00



BRIDGE REPLACEMENT	
GROTON LONG POINT ROAD OVER PALMER COVE	
PROPOSED VERTICAL ALIGNMENT	
CITY/TOWN: GROTON	BRIDGE NO. 04675
STATE PROJECT NO.: 0058-0344	DATE: 8/12/2024



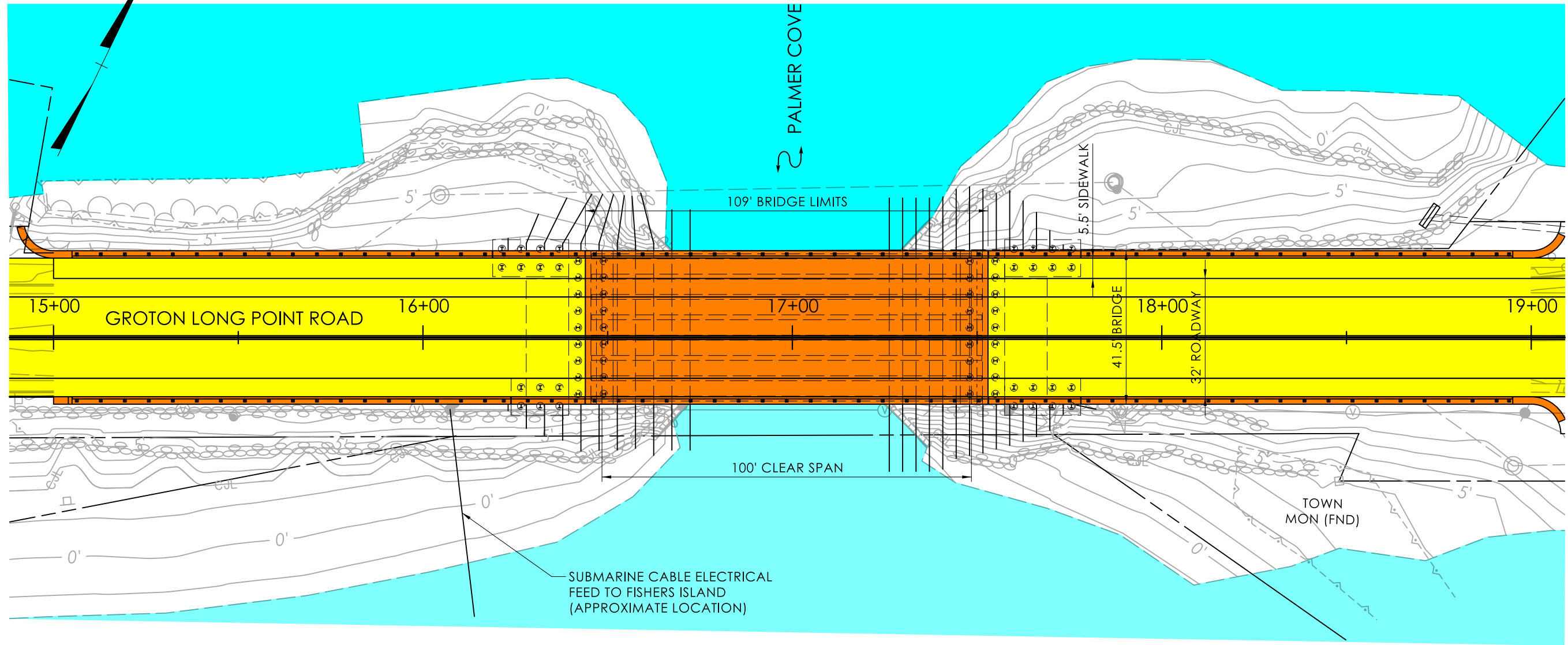
PLAN

SCALE: 1"=60'

LEGEND

- PROPOSED BRIDGE
- PROPOSED PAVEMENT
- WATERCOURSE
- EXISTING PAVEMENT

BRIDGE REPLACEMENT	
GROTON LONG POINT ROAD OVER PALMER COVE	
PROPOSED ROADWAY IMPROVEMENT	
CITY/TOWN: GROTON	BRIDGE NO. 04675
STATE PROJECT NO.: 0058-0344	DATE: 8/12/2024



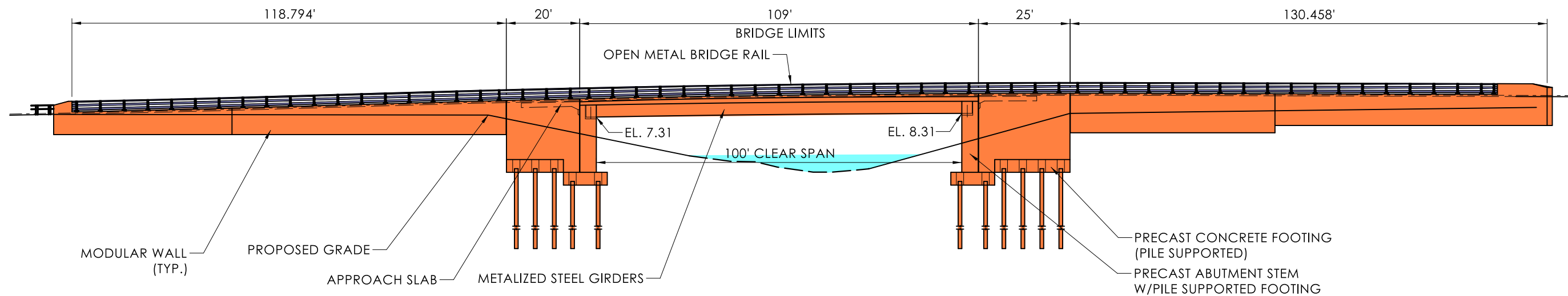
PLAN

SCALE: 1"=30'

LEGEND

- PROPOSED BRIDGE
- PROPOSED PAVEMENT
- WATERCOURSE

BRIDGE REPLACEMENT	
GROTON LONG POINT ROAD OVER PALMER COVE	
PROPOSED ALTERNATIVE A	
CITY/TOWN: GROTON	BRIDGE NO. 04675
STATE PROJECT NO.: 0058-0344	DATE: 8/12/2024



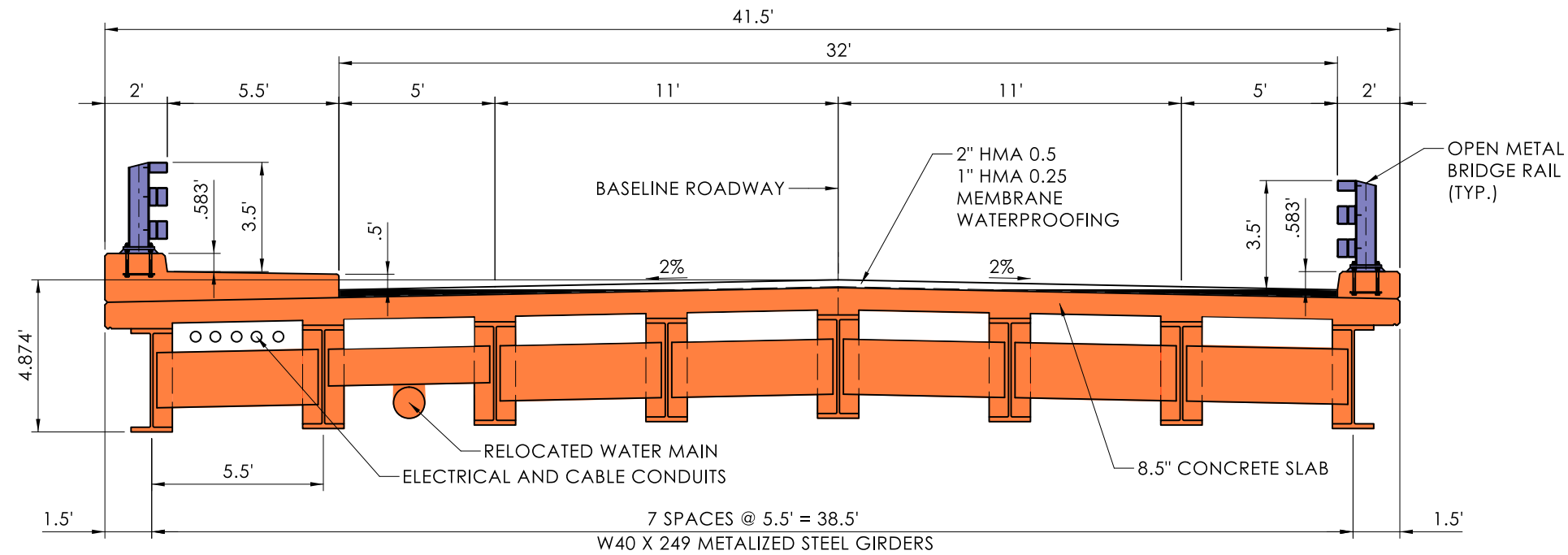
ELEVATION

SCALE: 1"=30'

LEGEND

- PROPOSED BRIDGE
- WATERCOURSE
- PROPOSED BRIDGE RAIL

BRIDGE REPLACEMENT	
GROTON LONG POINT ROAD OVER PALMER COVE	
PROPOSED ALTERNATIVE A	
CITY/TOWN: GROTON	BRIDGE NO. 04675
STATE PROJECT NO.: 0058-0344	DATE: 8/12/2024



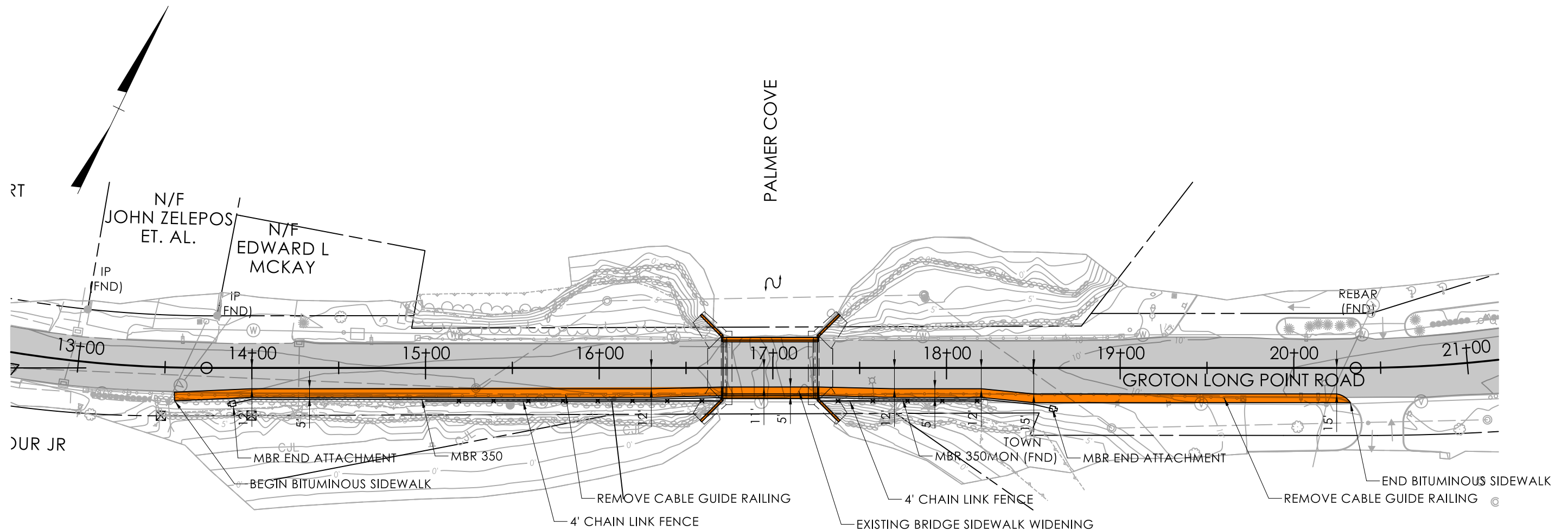
TYPICAL SECTION

SCALE: 1"=5'

LEGEND

- PROPOSED BRIDGE
- BITUMINOUS CONCRETE
- PROPOSED STEEL

BRIDGE REPLACEMENT	
GROTON LONG POINT ROAD OVER PALMER COVE	
PROPOSED ALTERNATIVE A	
CITY/TOWN: GROTON	BRIDGE NO. 04675
STATE PROJECT NO.: 0058-0344	DATE: 8/12/2024



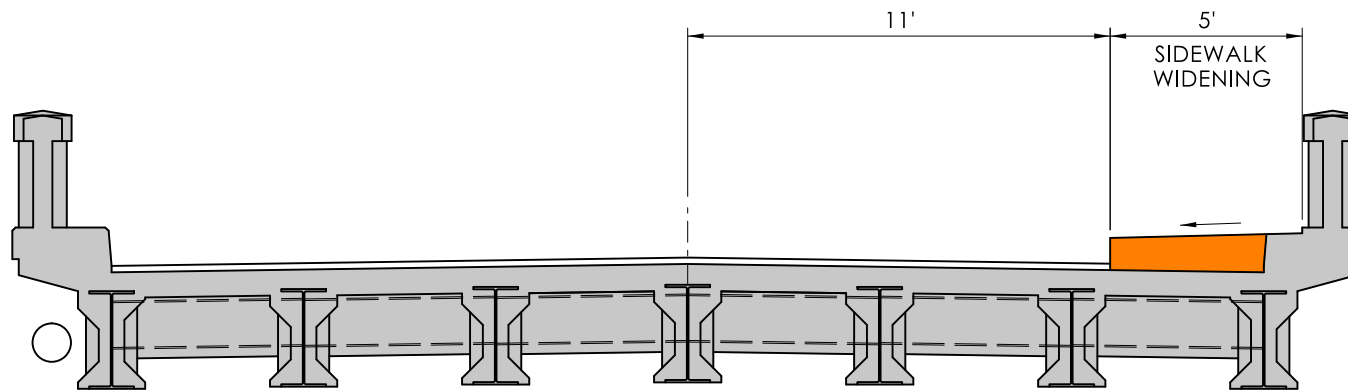
PLAN

SCALE: 1"=60'

LEGEND

- PROPOSED SIDEWALK, WINGWALLS, AND PARAPETS
- EXISTING PAVEMENT

BRIDGE REPLACEMENT	
GROTON LONG POINT ROAD OVER PALMER COVE	
PROPOSED PRE-STAGE 1	
CITY/TOWN: GROTON	BRIDGE NO. 04675
STATE PROJECT NO.: 0058-0344	DATE: 8/12/2024



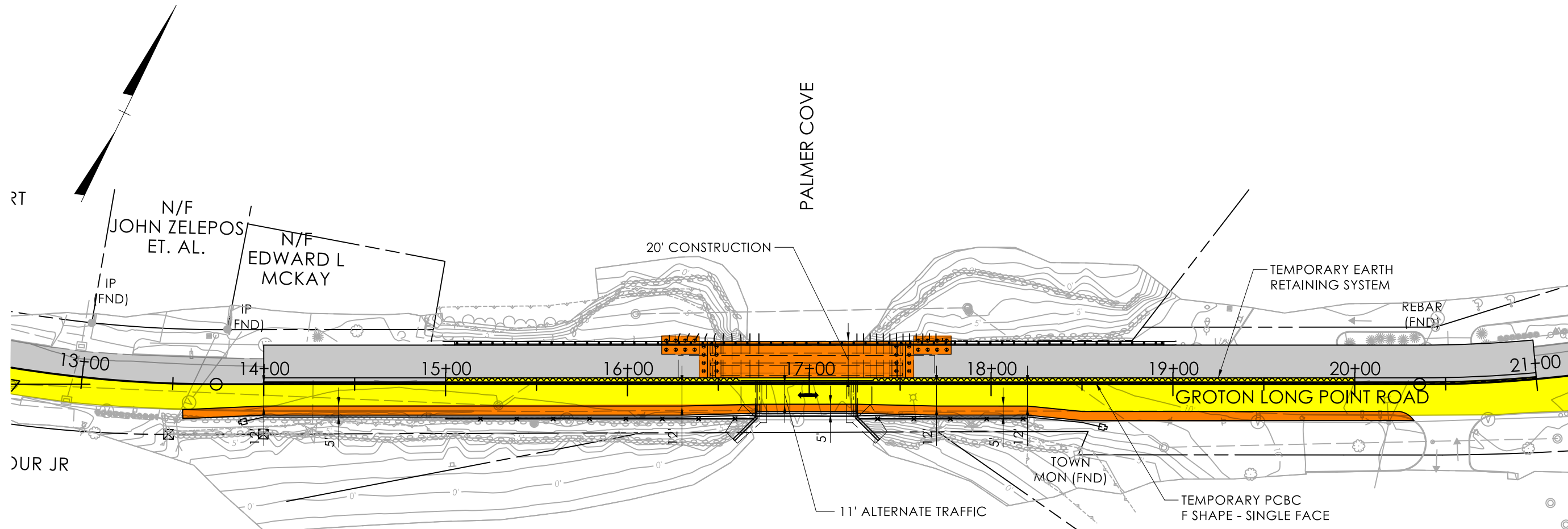
TYPICAL SECTION

SCALE: 1"=5'

LEGEND

- PROPOSED SIDEWALK
- EXISTING BRIDGE

BRIDGE REPLACEMENT	
GROTON LONG POINT ROAD OVER PALMER COVE	
PROPOSED PRE-STAGE 1	
CITY/TOWN: GROTON	BRIDGE NO. 04675
STATE PROJECT NO.: 0058-0344	DATE: 8/12/2024



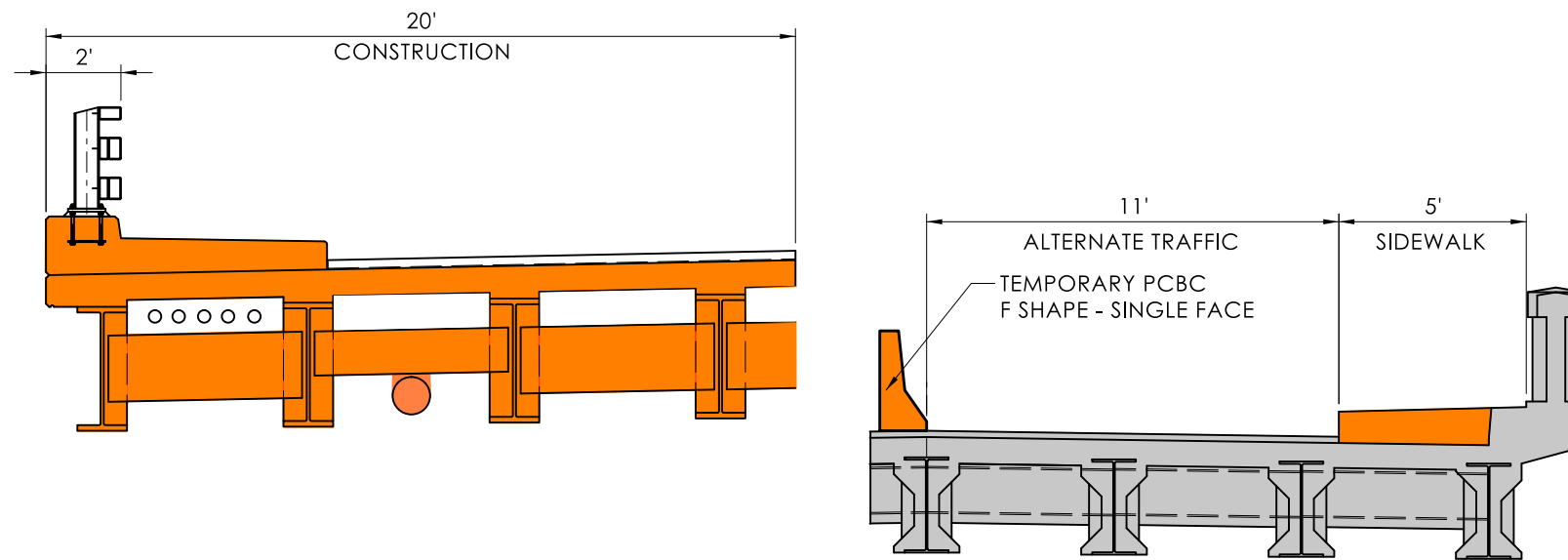
PLAN

SCALE: 1"=60'

LEGEND

- PROPOSED BRIDGE
- PROPOSED PAVEMENT
- EXISTING PAVEMENT

BRIDGE REPLACEMENT	
GROTON LONG POINT ROAD OVER PALMER COVE	
PROPOSED STAGE 1	
CITY/TOWN: GROTON	BRIDGE NO. 04675
STATE PROJECT NO.: 0058-0344	DATE: 8/12/2024



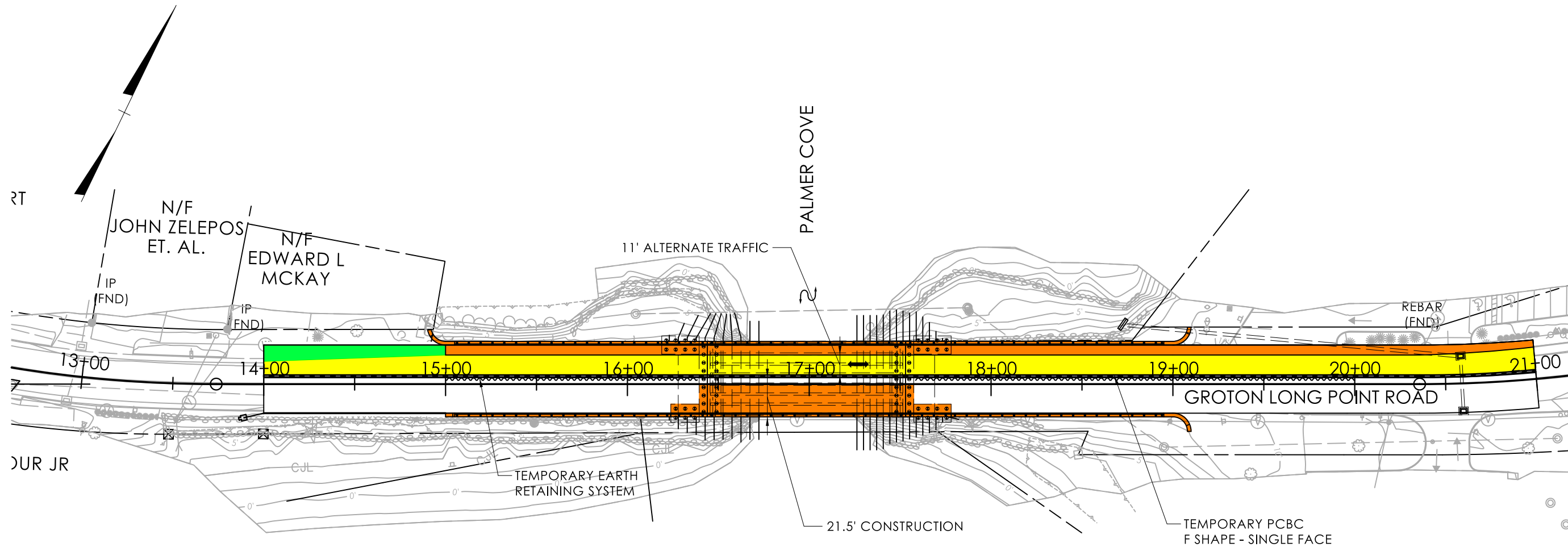
TYPICAL SECTION

SCALE: 1"=5'

LEGEND

- PROPOSED BRIDGE
- EXISTING PAVEMENT

BRIDGE REPLACEMENT	
GROTON LONG POINT ROAD OVER PALMER COVE	
PROPOSED STAGE 1	
CITY/TOWN: GROTON	BRIDGE NO. 04675
STATE PROJECT NO.: 0058-0344	DATE: 8/12/2024



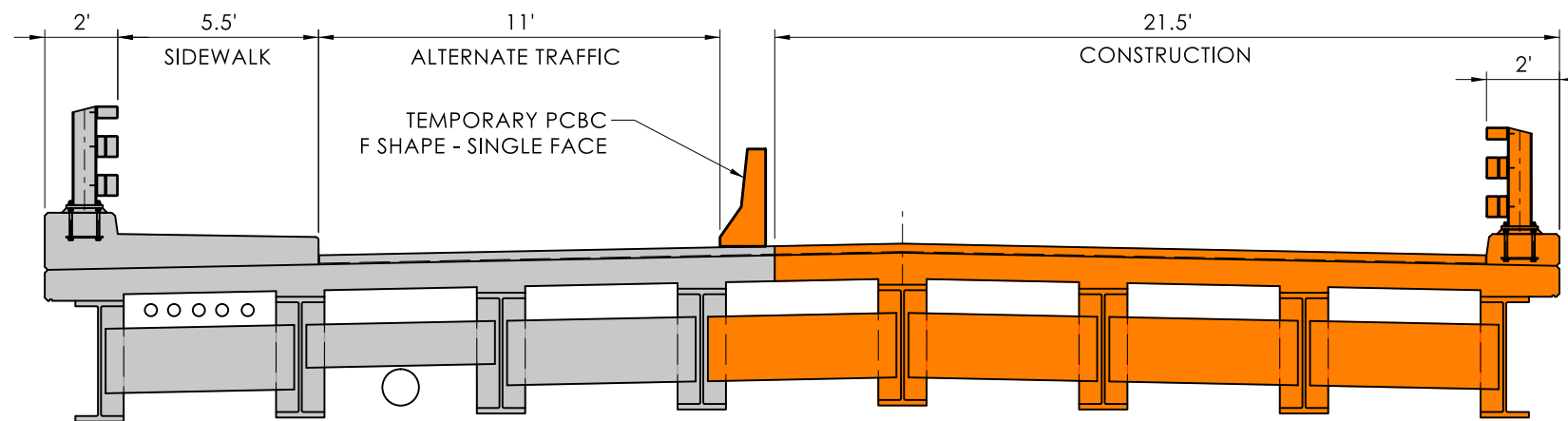
PLAN

SCALE: 1"=60'

LEGEND

- PROPOSED SIDEWALK, WINGWALLS, AND PARAPETS
- PROPOSED PAVEMENT
- GRASSY AREA

BRIDGE REPLACEMENT	
GROTON LONG POINT ROAD OVER PALMER COVE	
PROPOSED STAGE 2	
CITY/TOWN: GROTON	BRIDGE NO. 04675
STATE PROJECT NO.: 0058-0344	DATE: 8/12/2024



TYPICAL SECTION

SCALE: 1"=5'

LEGEND

- PROPOSED BRIDGE
- EXISTING PAVEMENT

**BRIDGE REPLACEMENT
GROTON LONG POINT ROAD OVER PALMER COVE**

PROPOSED STAGE 2

CITY/TOWN:
GROTON

BRIDGE NO.
04675

STATE PROJECT NO.: **0058-0344**

DATE: 8/12/2024