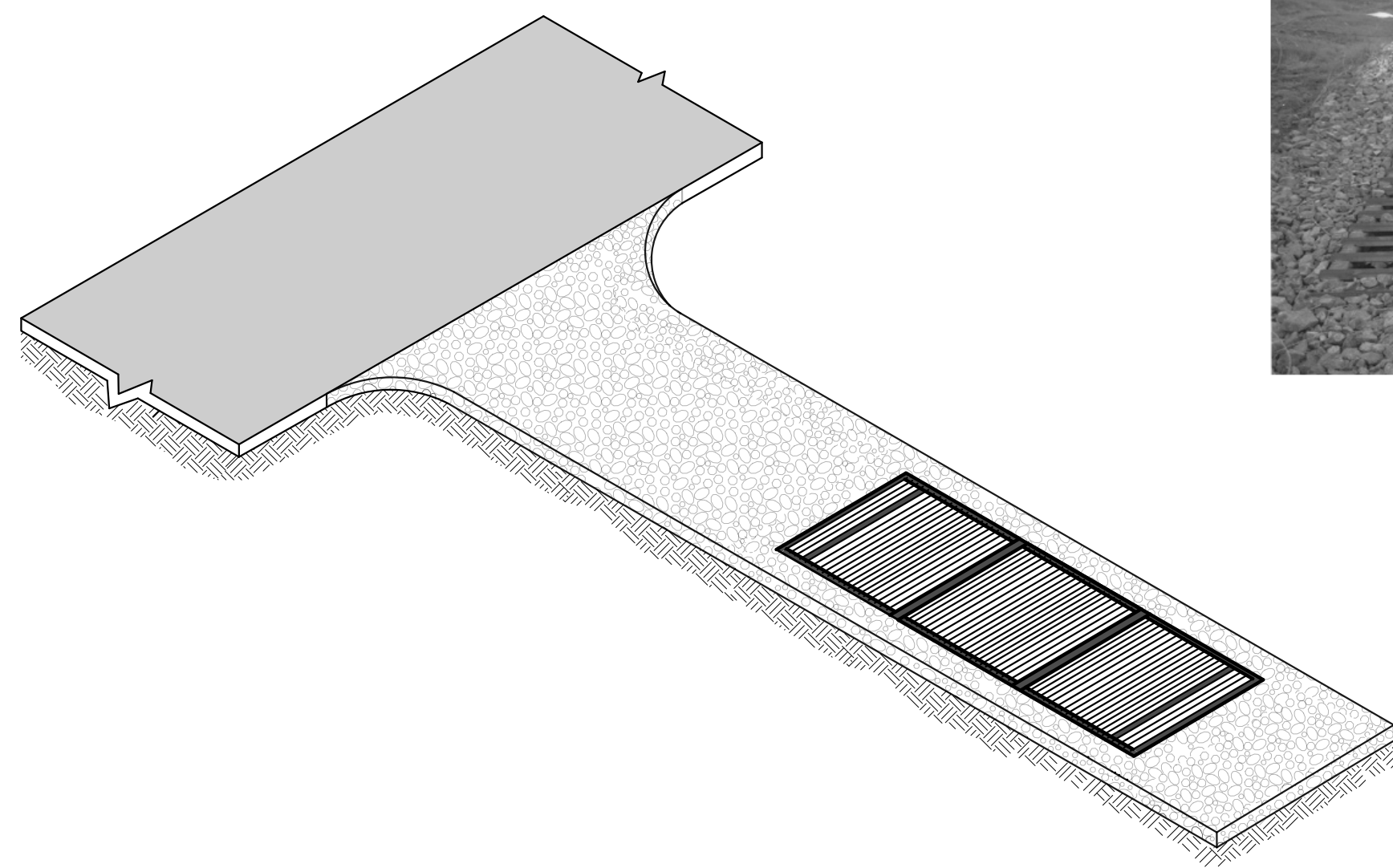
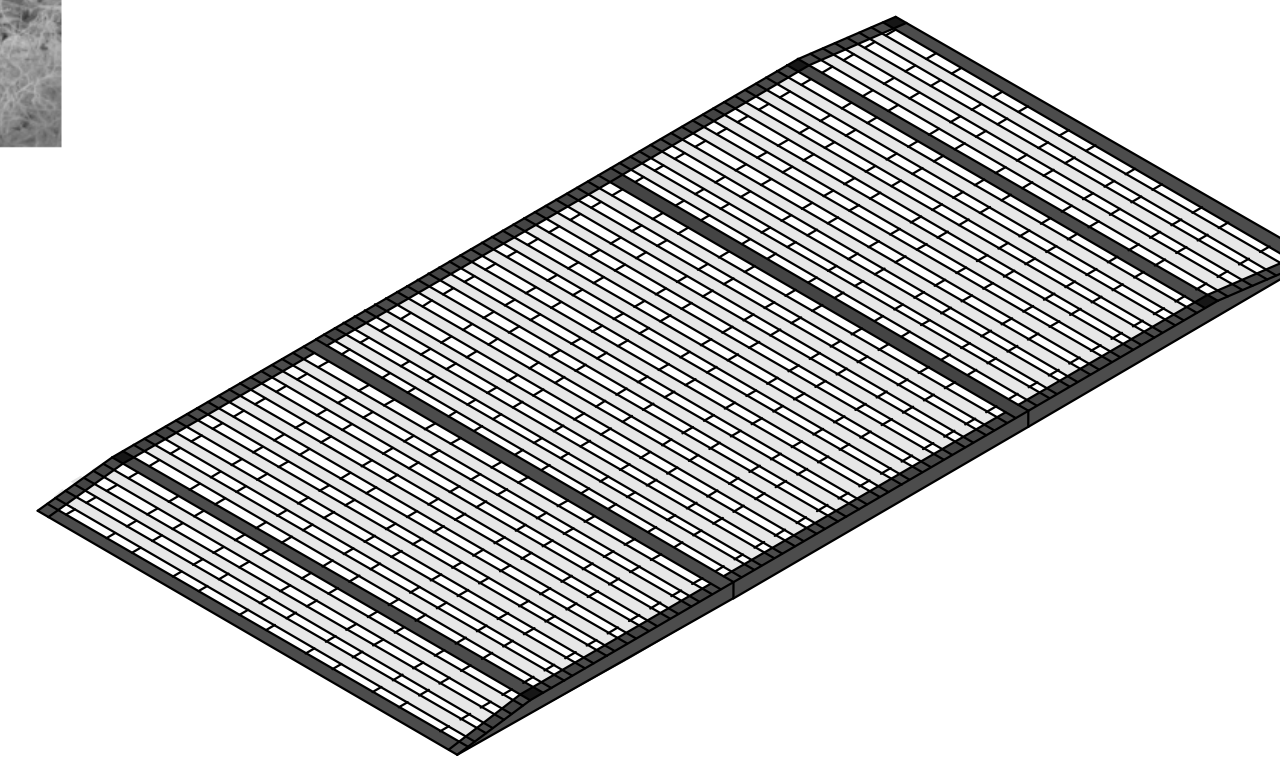


GENERAL NOTE

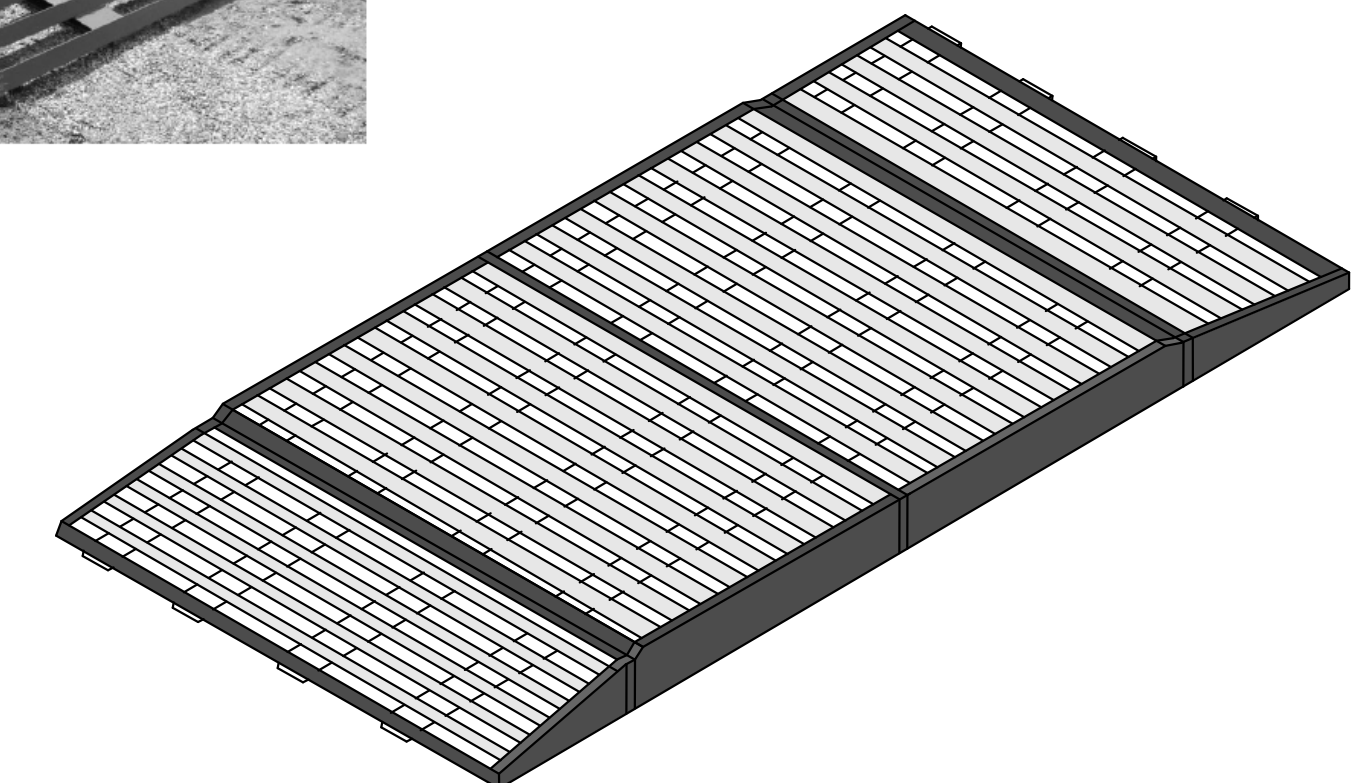
1. THE CONTRACTOR SHALL CREATE A CROSS SLOPE FOR THE CONSTRUCTION ENTRANCE AND THE ANTI-TRACKING PAD TO ENCOURAGE STORMWATER INFILTRATION.



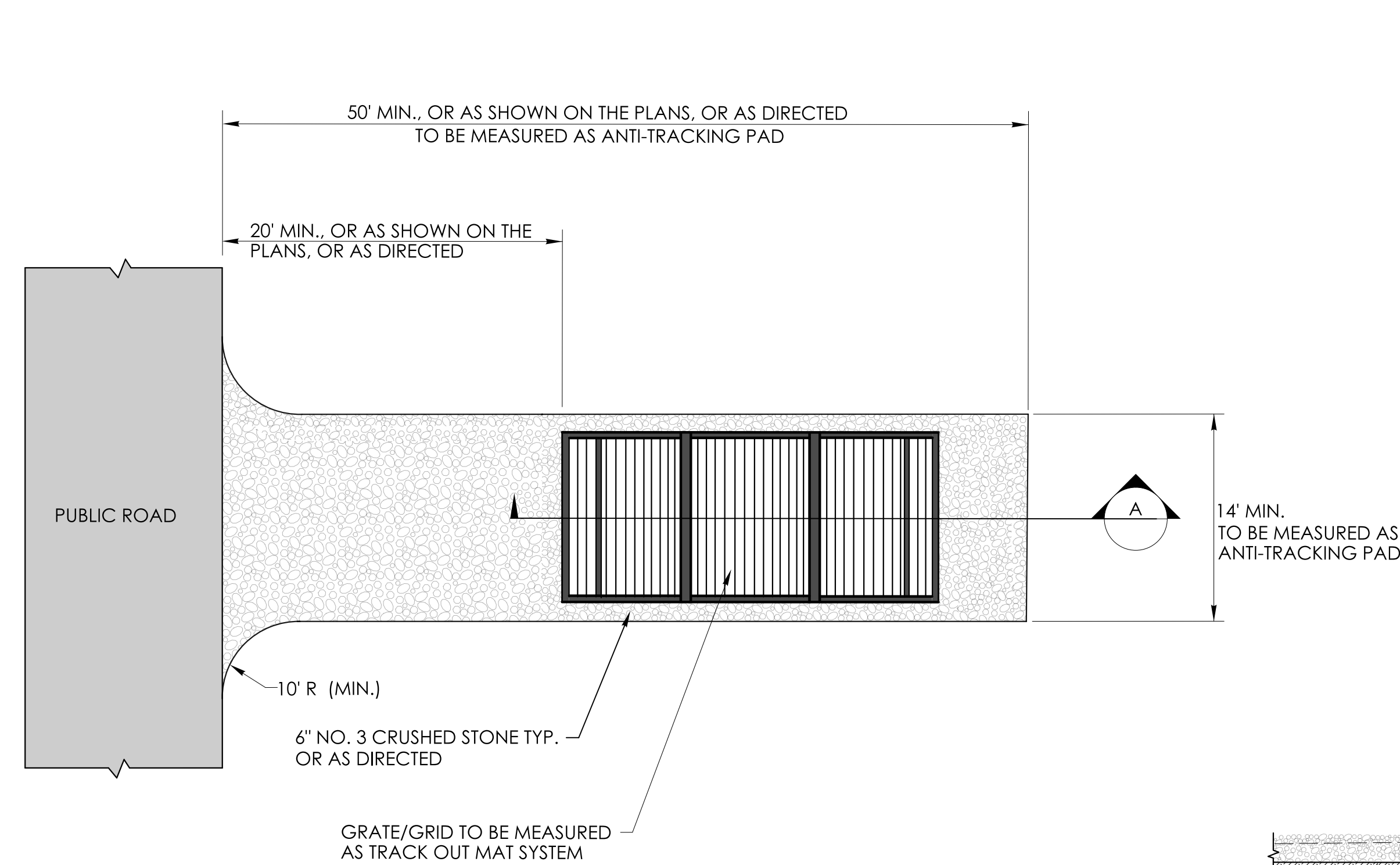
ANTI-TRACKING PAD WITH TRACK OUT MAT SYSTEM



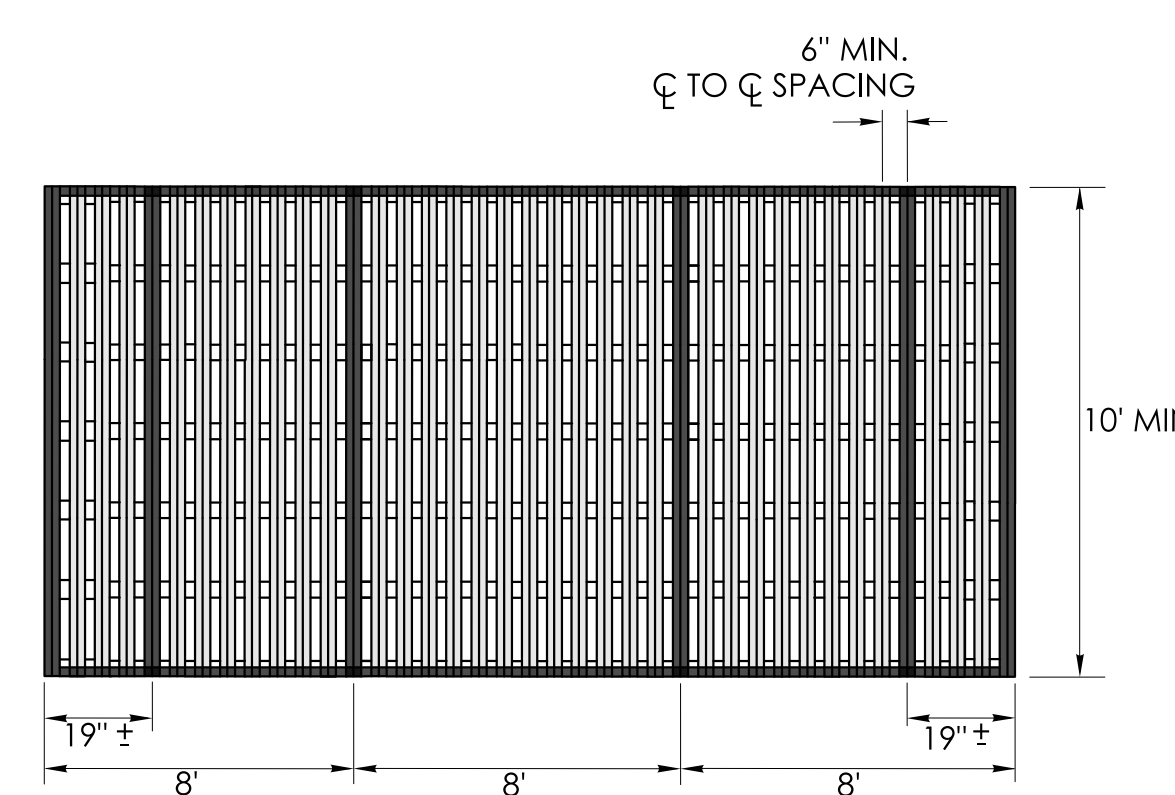
RUMBLE GRATE SYSTEM



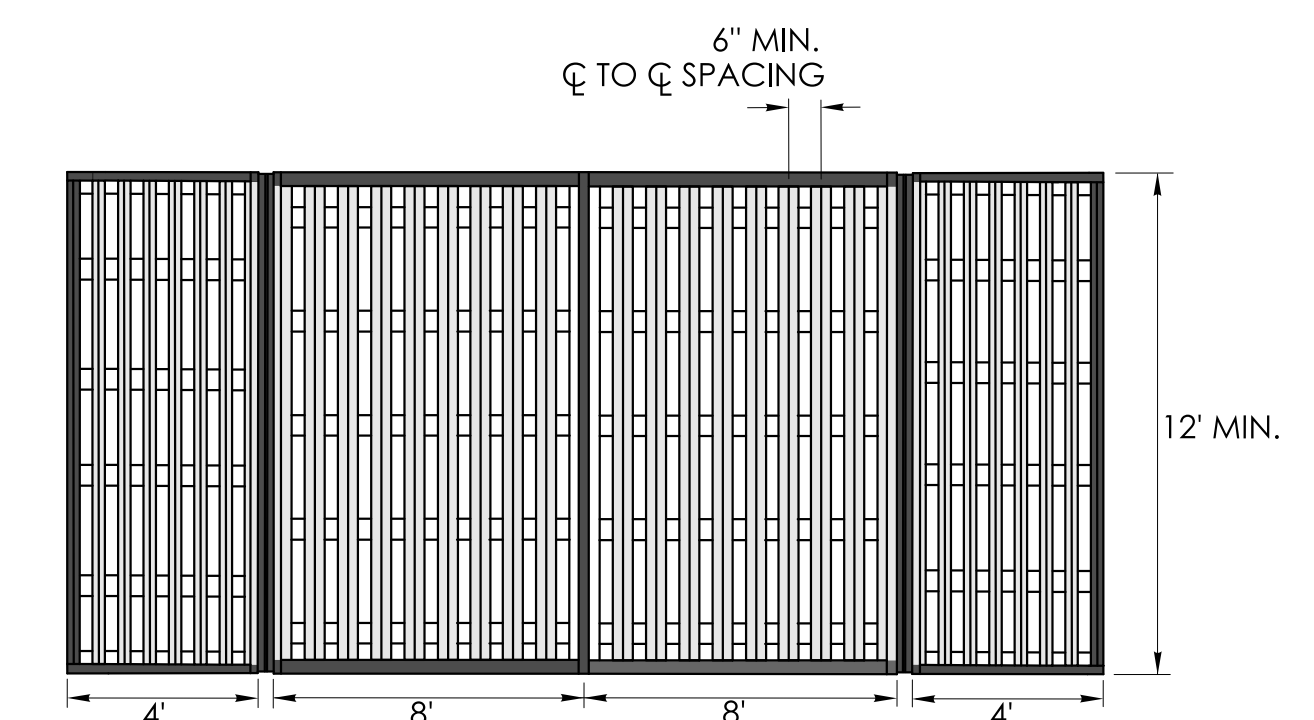
EXIT GRID SYSTEM



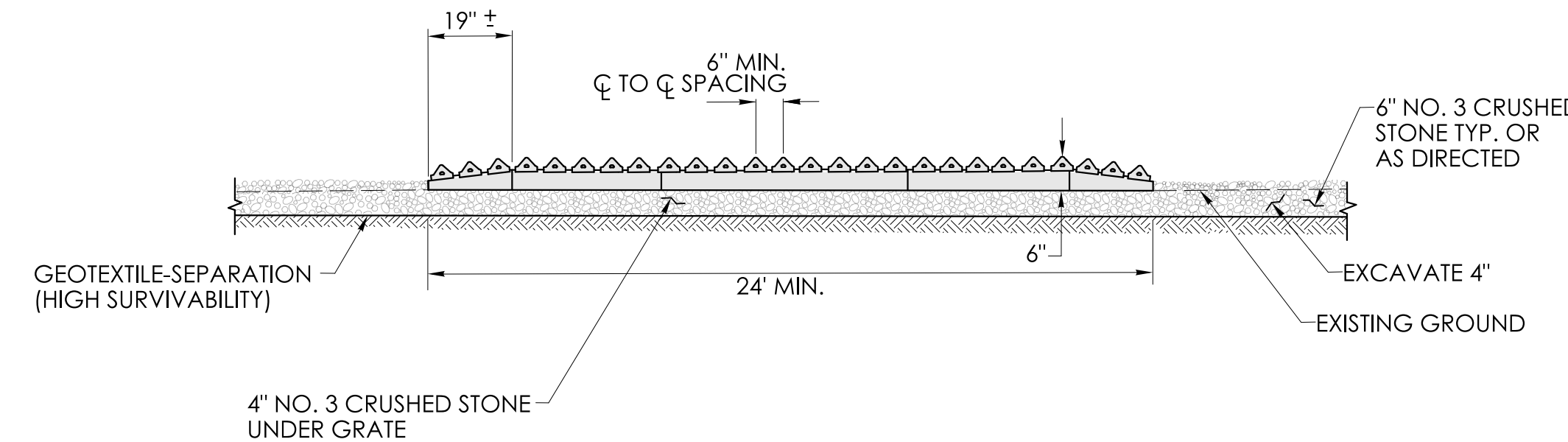
PLAN



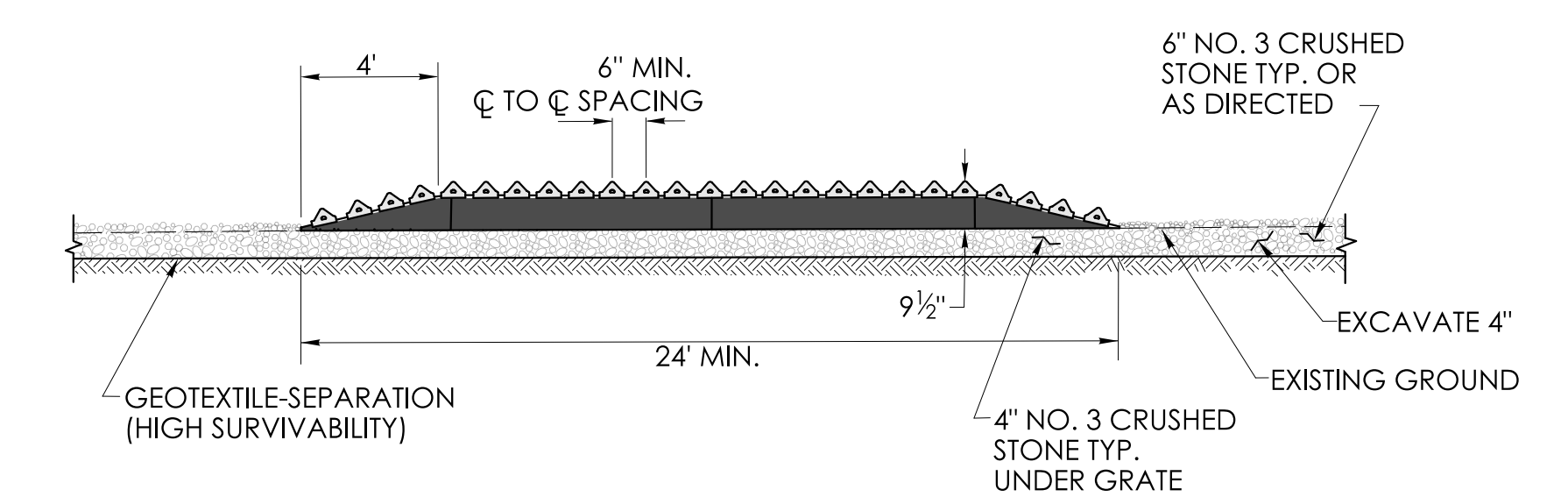
RUMBLE GRATE SYSTEM PLAN



EXIT GRID SYSTEM PLAN



RUMBLE GRATE SYSTEM SECTION A



EXIT GRID SYSTEM SECTION A

REV.	DATE	REVISION DESCRIPTION