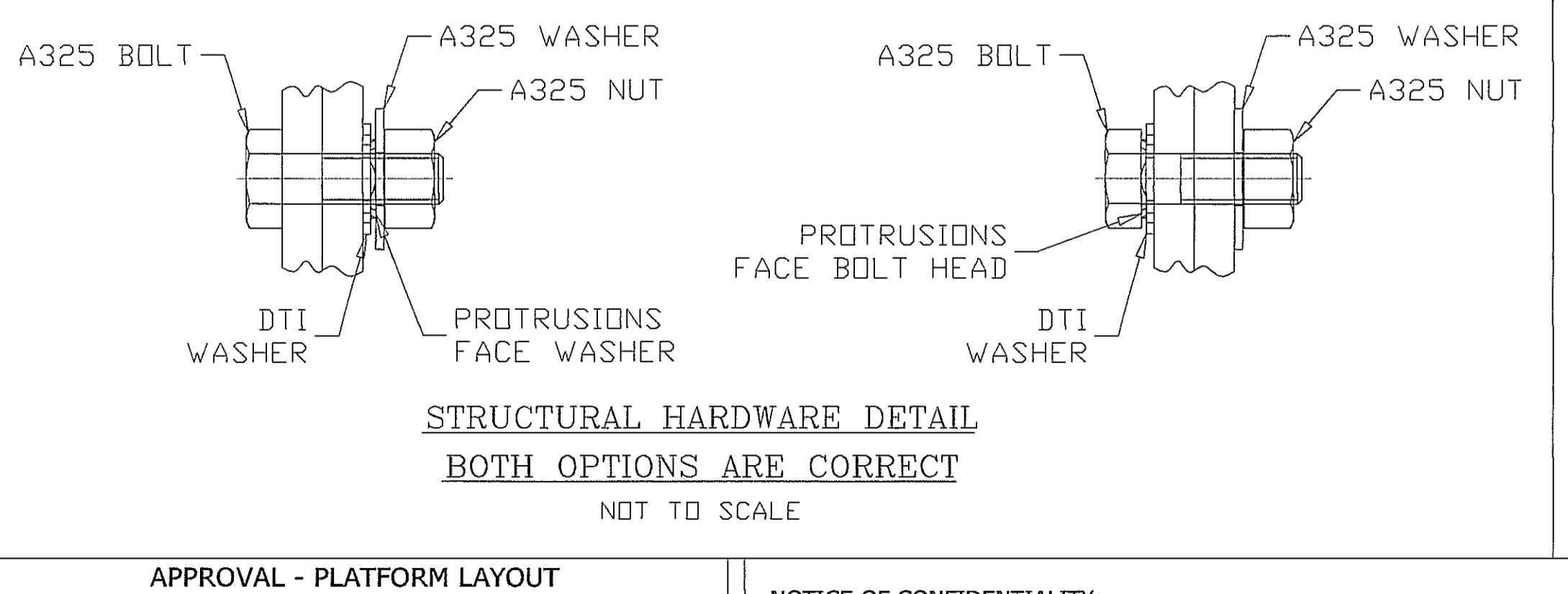
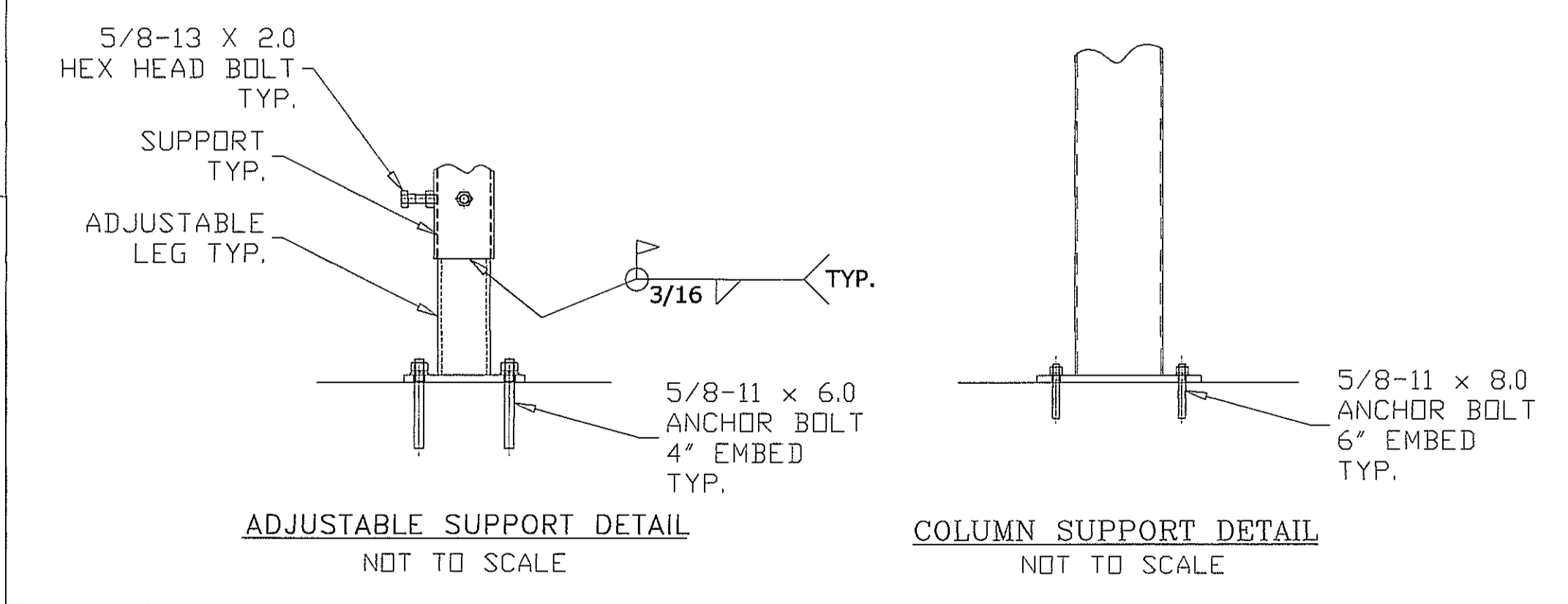
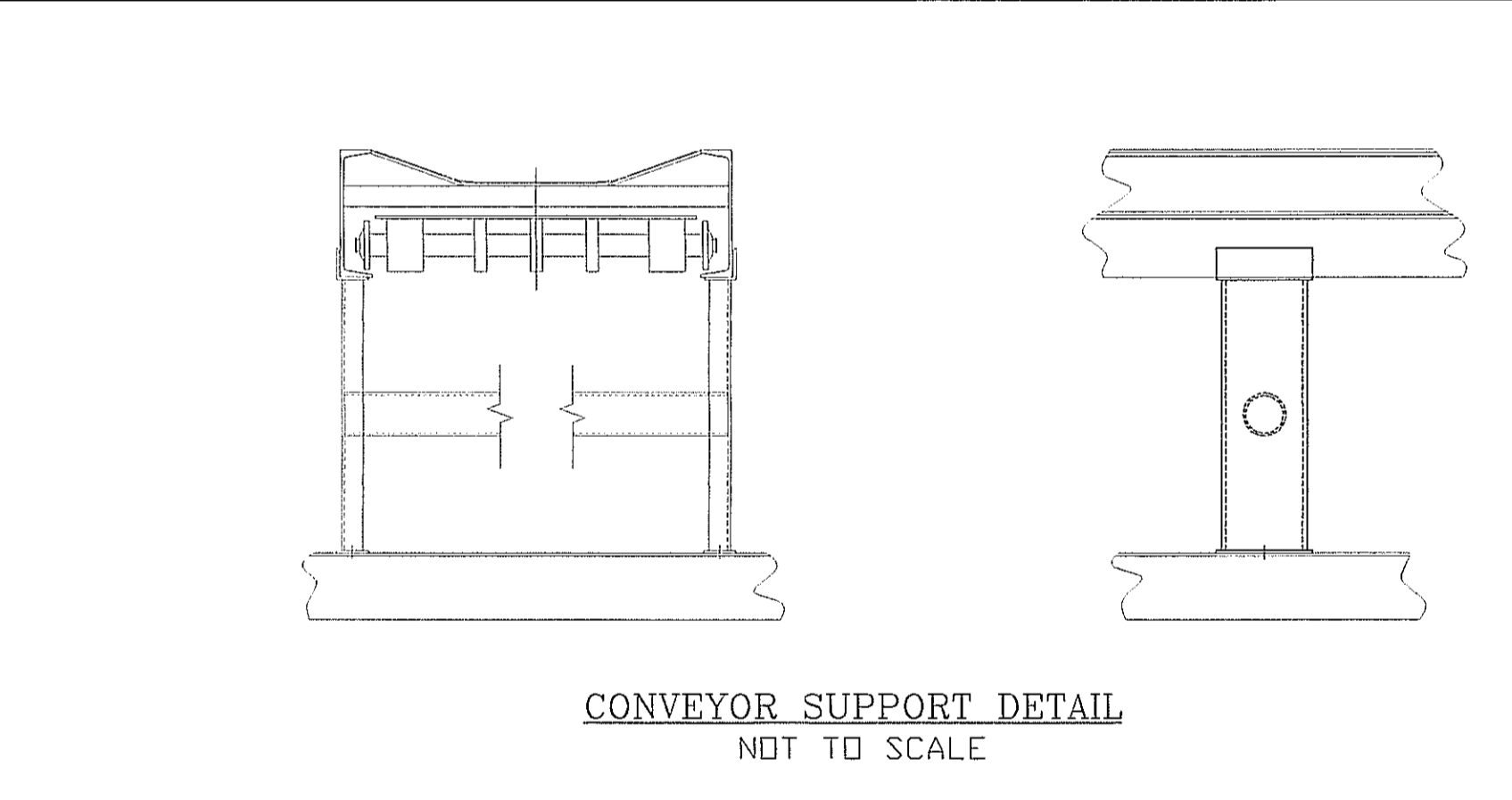
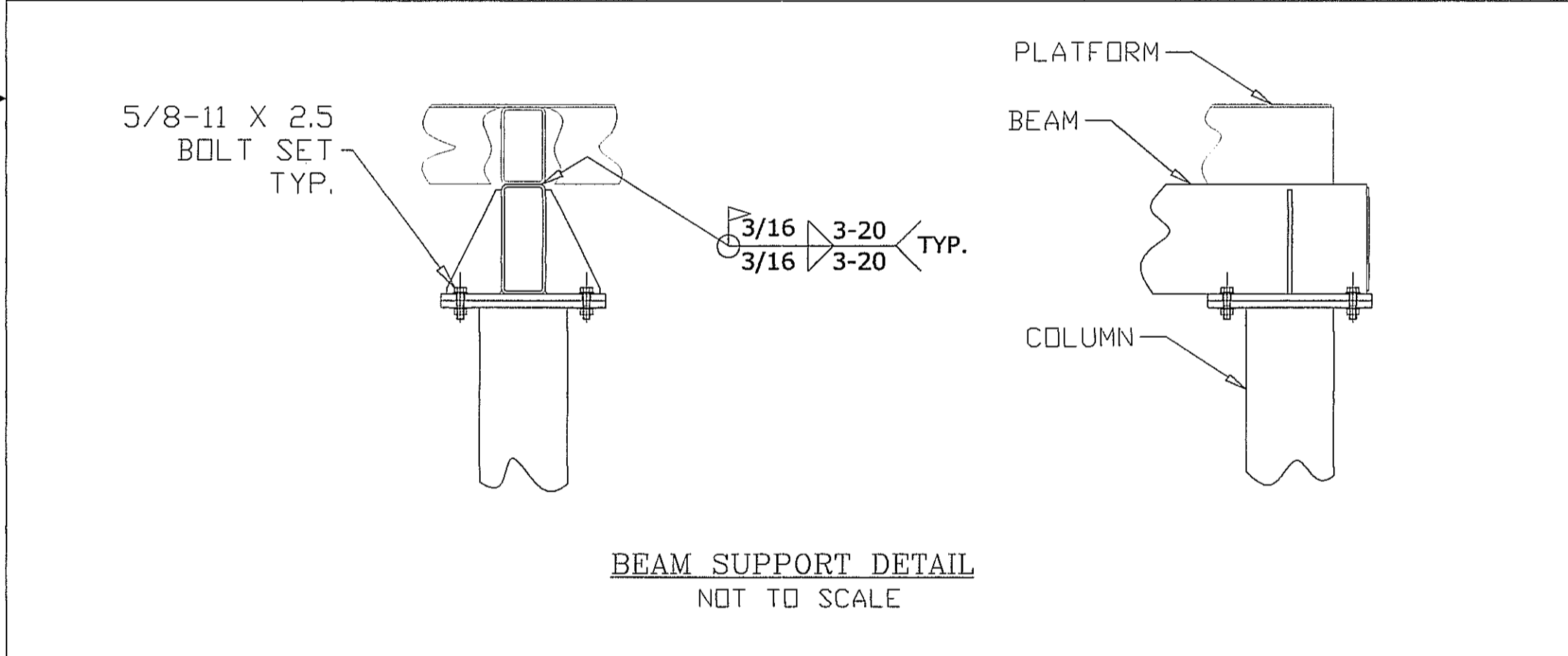
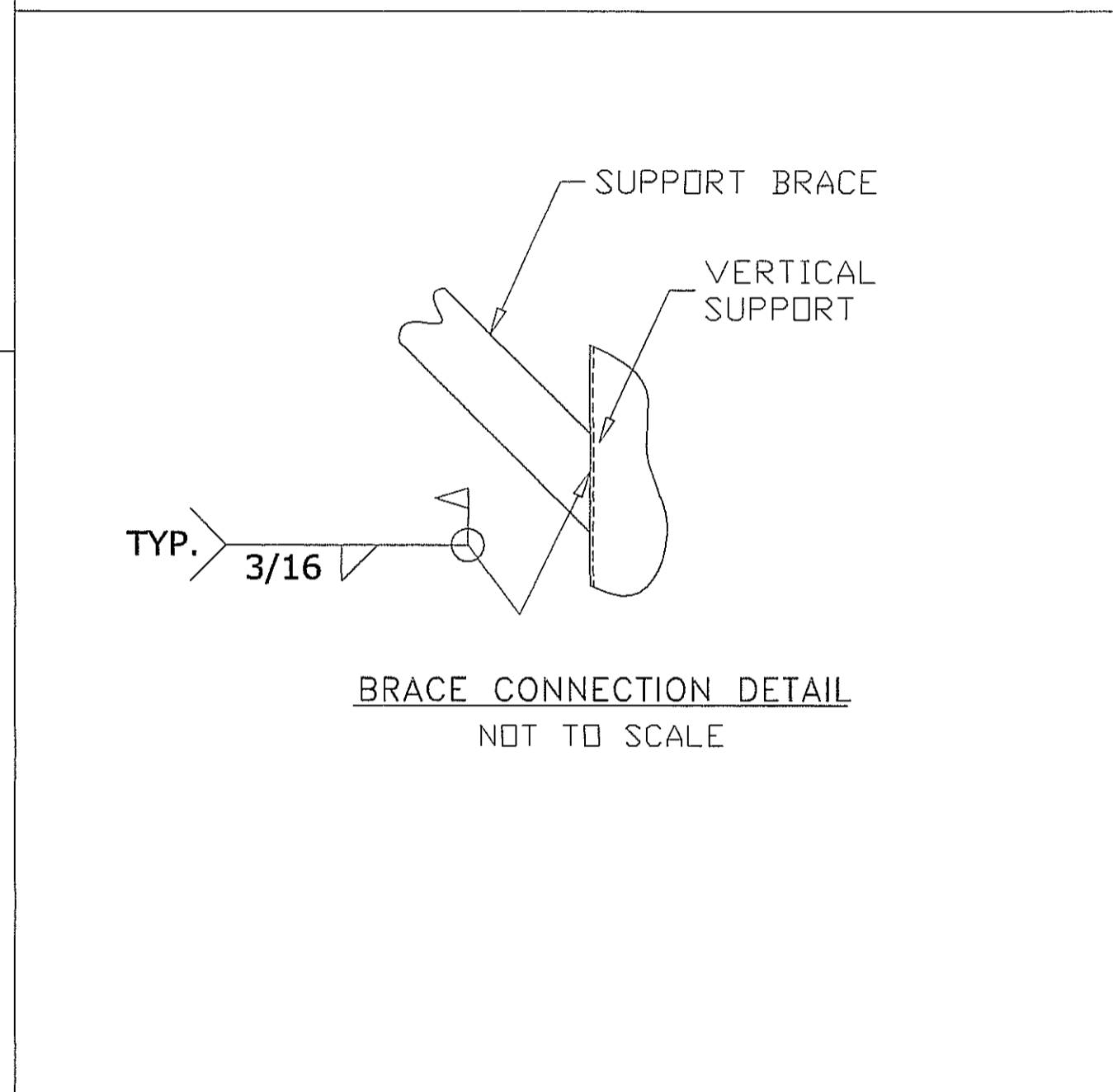
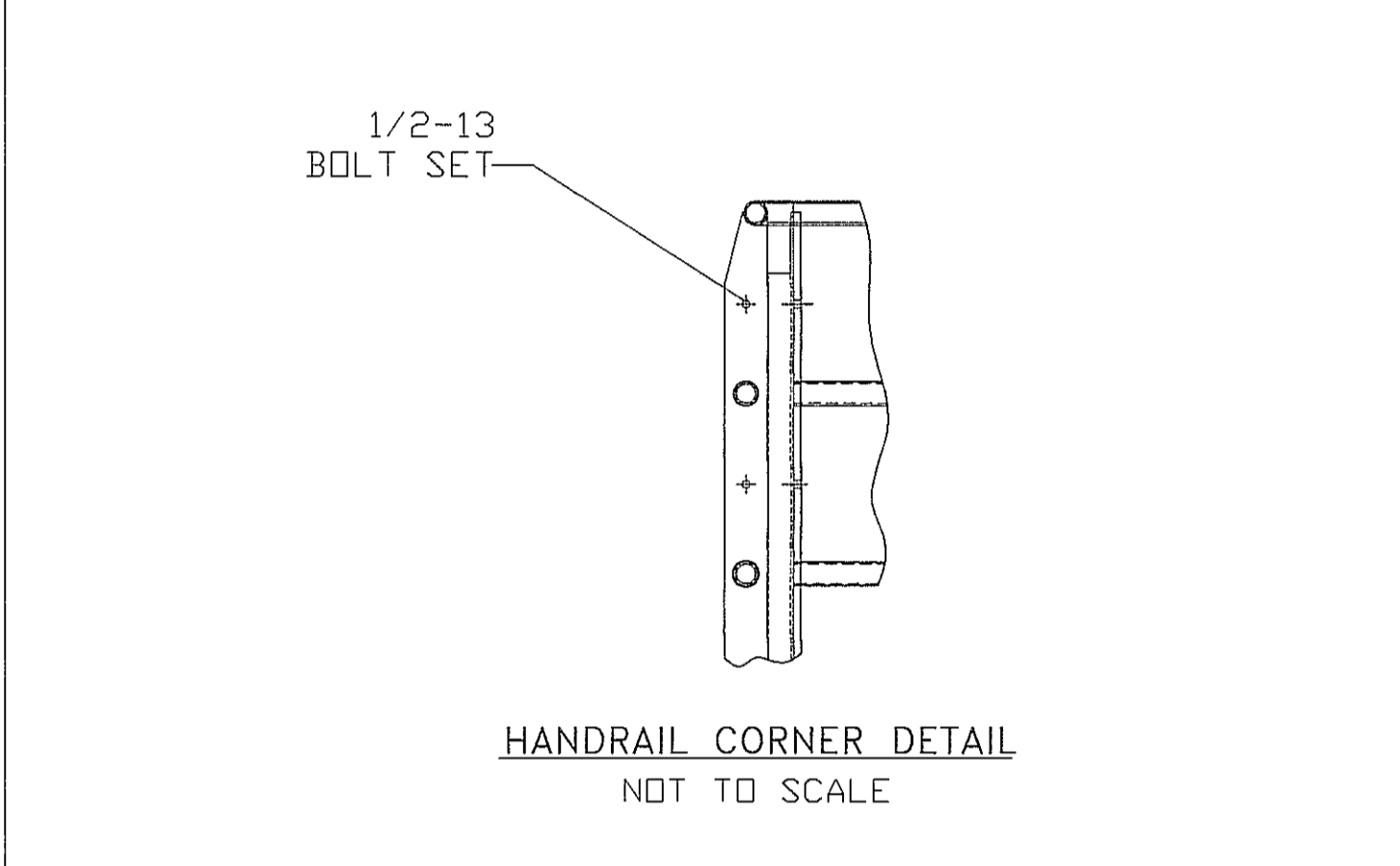
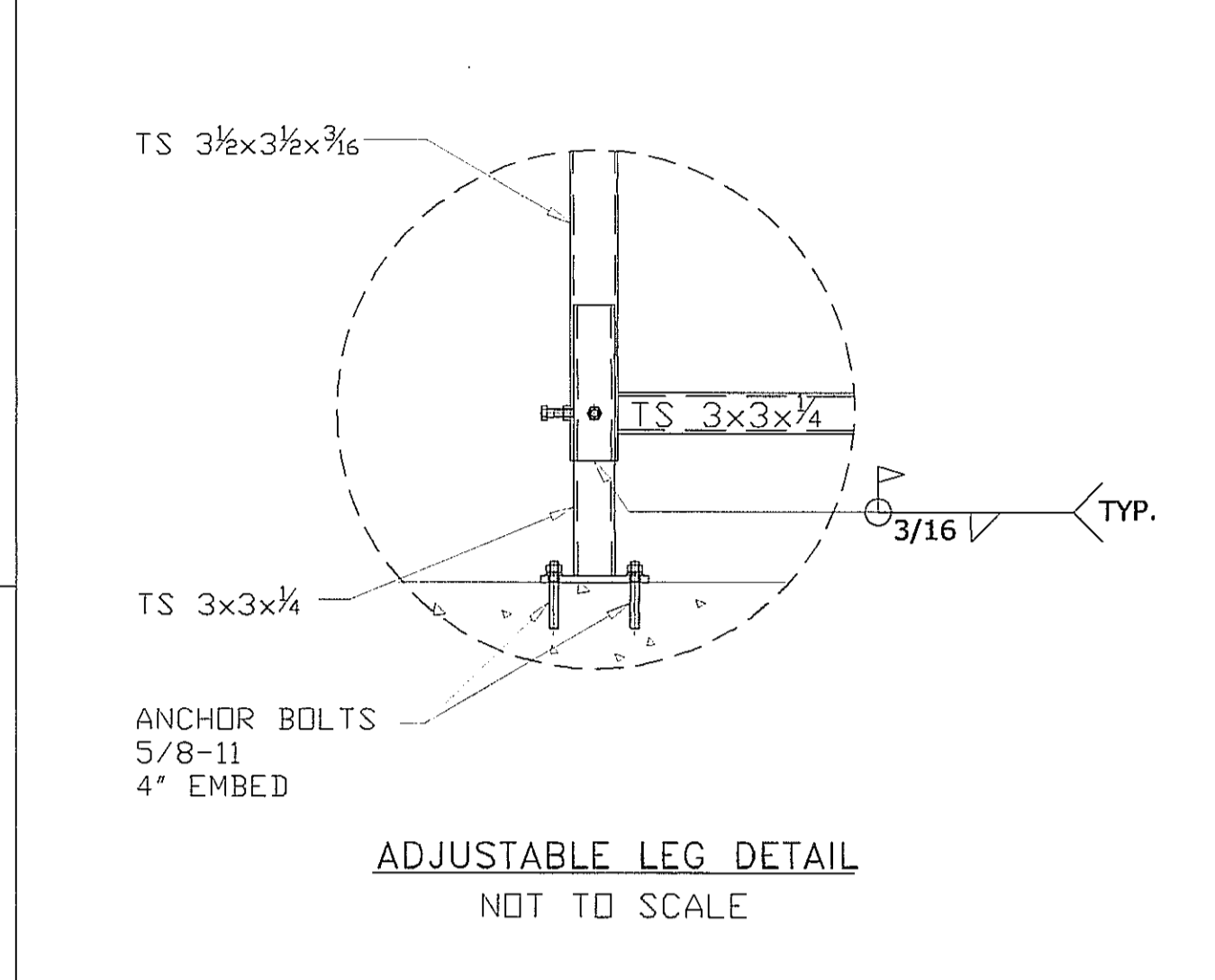
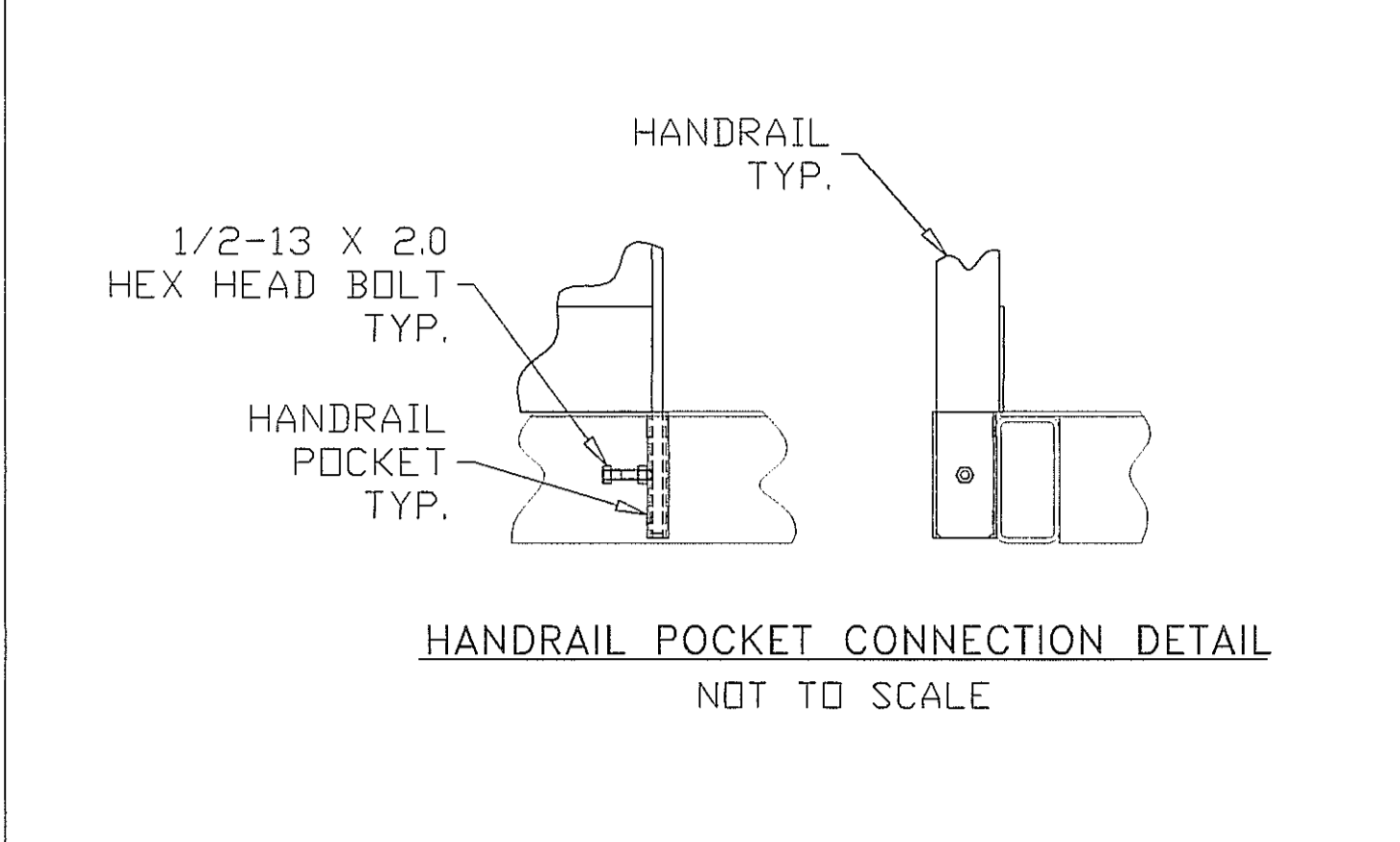
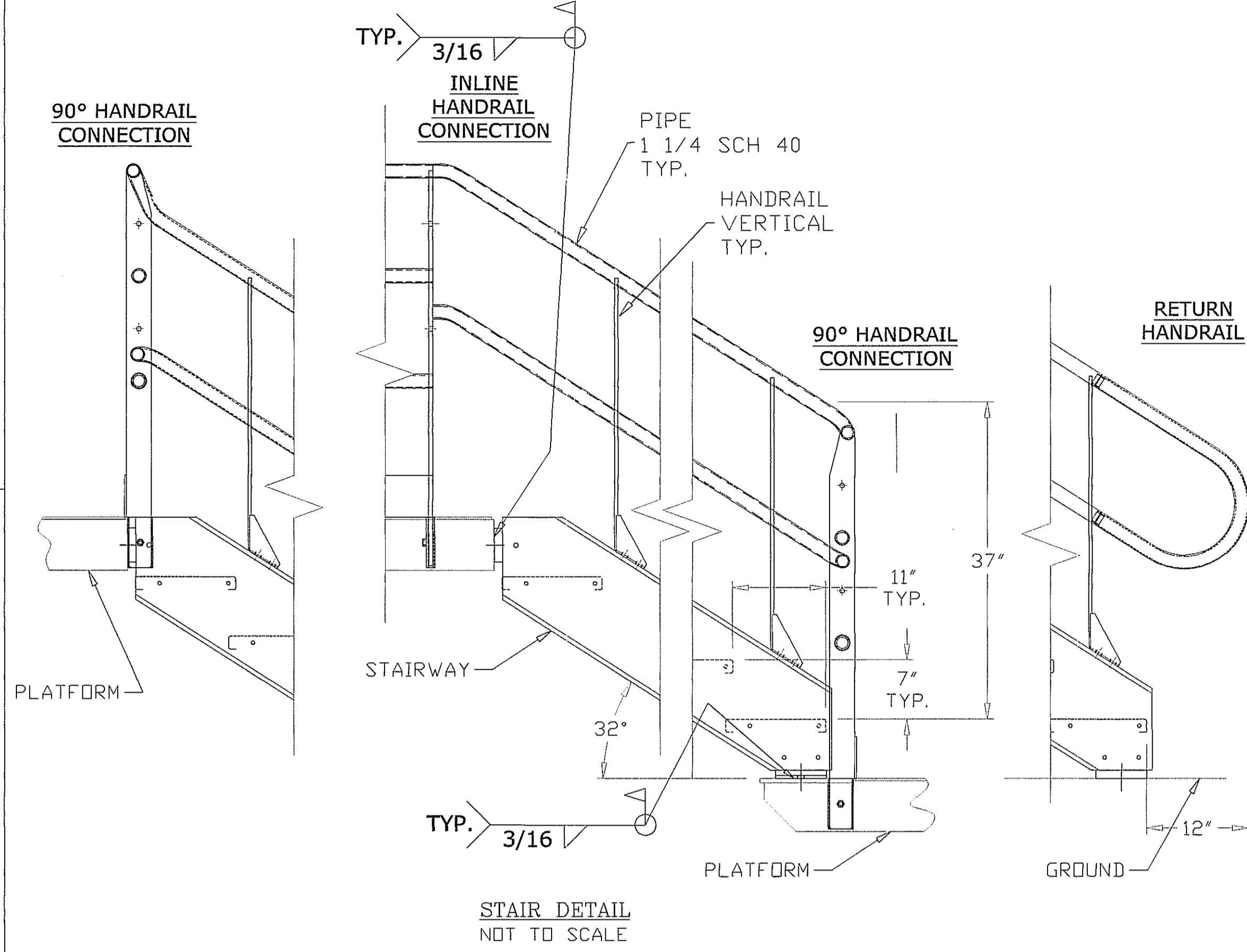


FOR PERMIT APPLICATION

REV	DESCRIPTION	DATE
1		
2		
3		
4		
5		
6		



FIBER & CONTAINER SORT SYSTEM
FCR / CASELLA WASTE INC.
HARTFORD - CONNECTICUT - USA
JOB #3382

APPROVAL - PLATFORM LAYOUT

APPROVED: PRODUCTION CANNOT START UNTIL ONE SET OF DRAWING PACKAGE IS SIGNED AND RETURNED TO CP MANUFACTURING INC.


APPROVED AS NOTED:

BY: _____ DATE: _____

PRINT NAME SIGNATURE DATE: _____

PRINT NAME SIGNATURE DATE: _____

NOTICE OF CONFIDENTIALITY:
 THIS DRAWING IS THE PROPERTY OF CP MANUFACTURING INC. (NATIONAL CITY, CA) AND IS LOANED SUBJECT TO THE CONDITION THAT IT SHALL NOT BE REPRODUCED, COPIED, LOANED OR OTHERWISE DISPOSED OF. DIRECTLY OR INDIRECTLY, IT SHALL BE USED AS A MEANS OF REFERENCE TO WORK FURNISHED BY THIS COMPANY ONLY AND IS NOT TO BE SUBMITTED TO OUTSIDE PARTIES FOR EXAMINATION WITHOUT OUR WRITTEN CONSENT.



CP MANUFACTURING INC.
 1300 WILSON AVENUE
 NATIONAL CITY, CALIFORNIA, 91950
 1.619.477.3175



CP MANUFACTURING INC.
 1300 WILSON AVENUE - NATIONAL CITY, CA 91950
 PHONE: 619-477-3175 FAX: 619-477-3426

PROJECT NAME AND LOCATION: MATERIAL RECOVERY FACILITY FCR / CASELLA WASTE INC. 211 MURPHY ROAD HARTFORD, CT 06114-2105
 DRAWING NO: 3382R202_203-DETAILS
 DATE: 04/30/08
 SHEET NO. 4 OF 4
 SCALE: 3/16"=1'0"