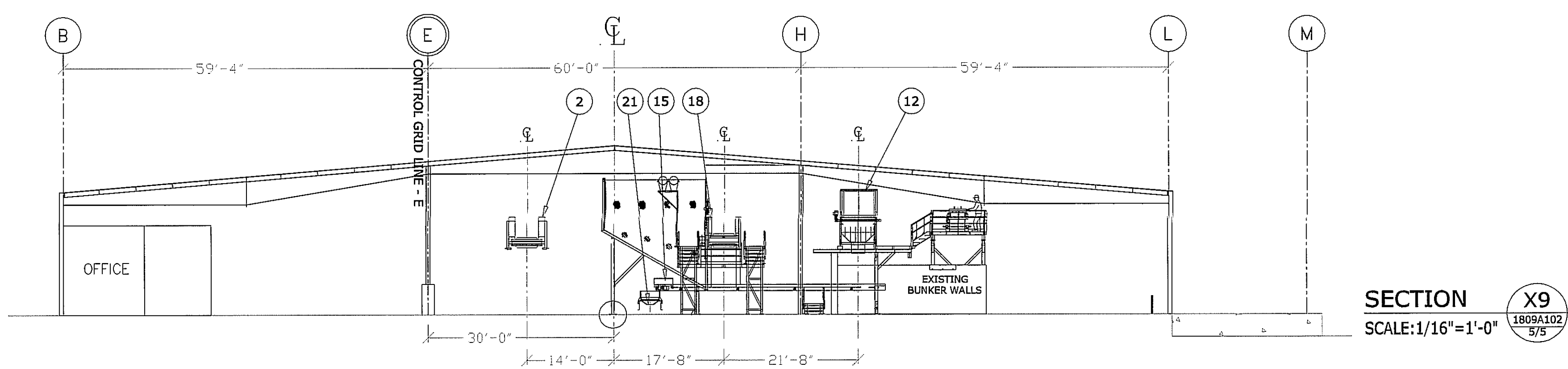
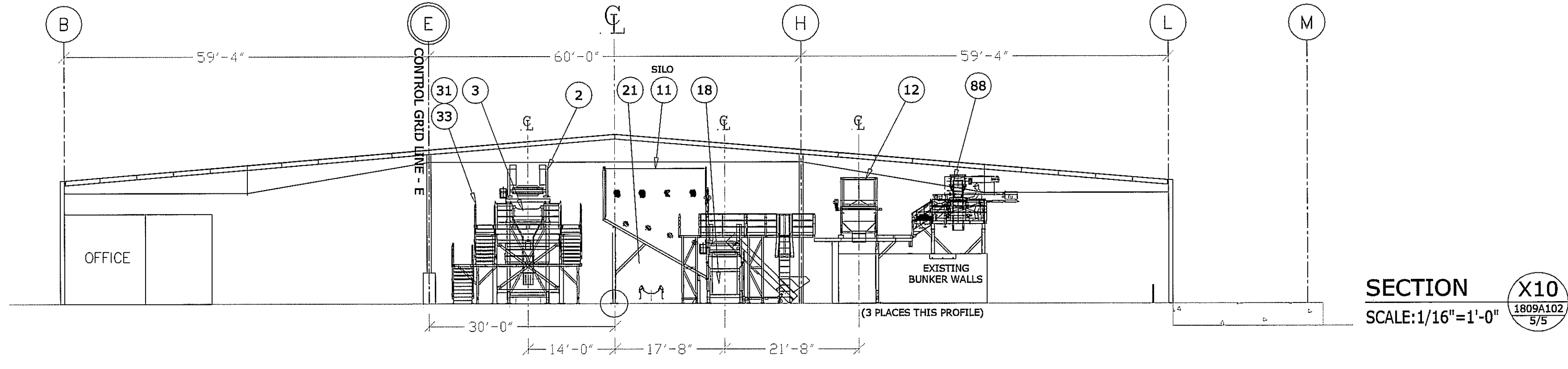


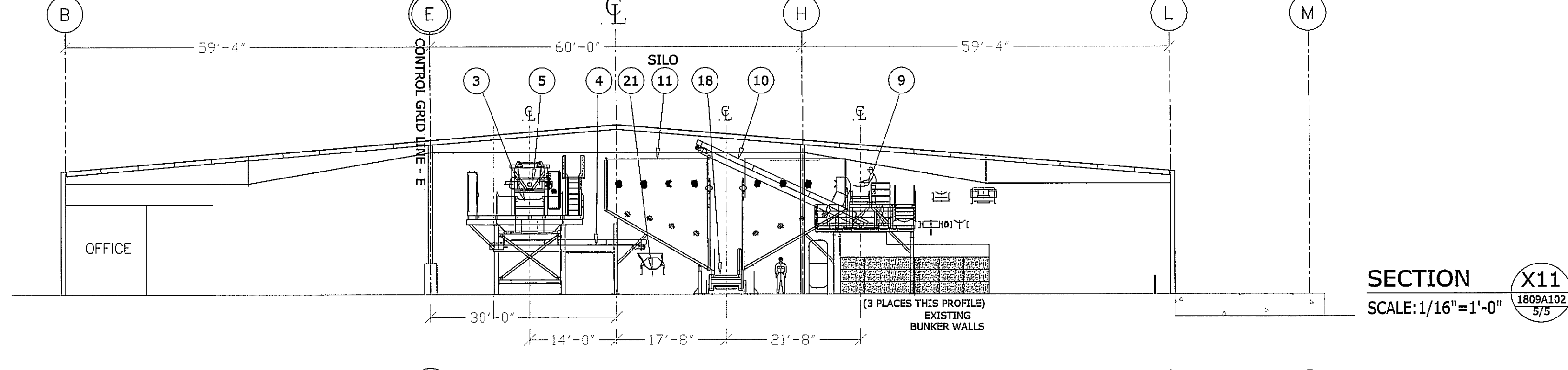
SECTION X8
SCALE: 1/16"=1'-0"
1809A102
5/5



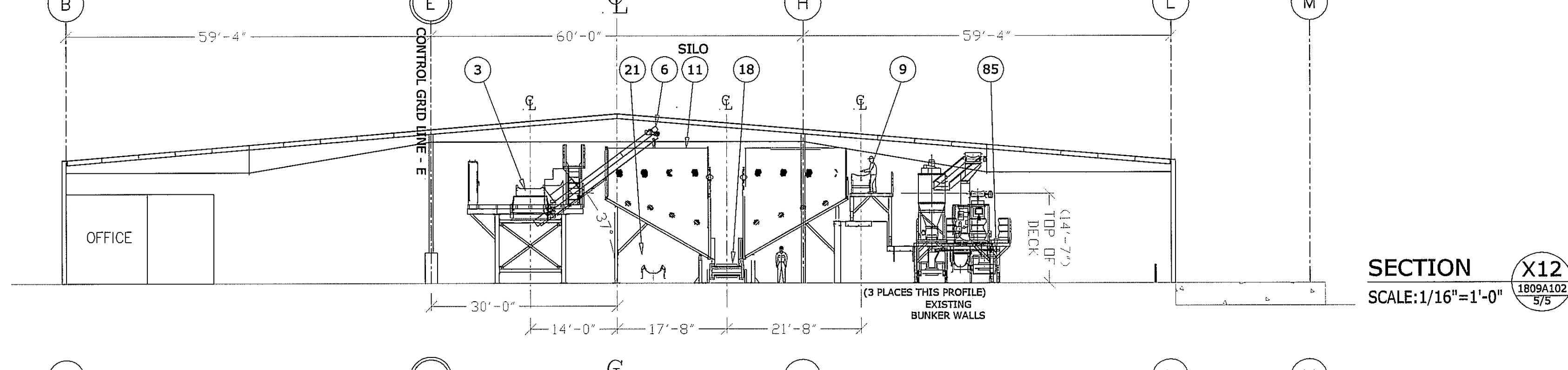
SECTION X9
SCALE: 1/16"=1'-0"
1809A102
5/5



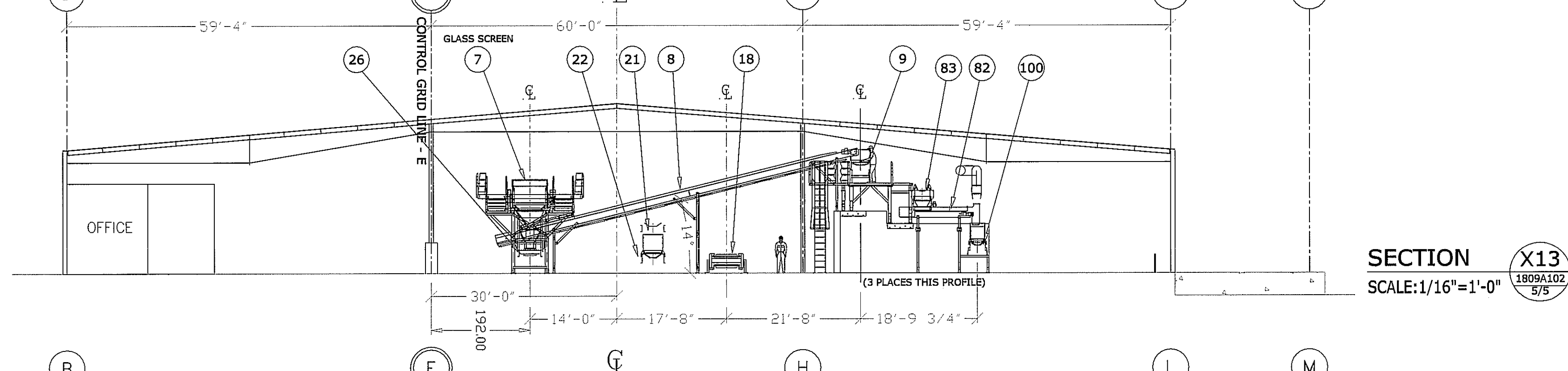
SECTION X10
SCALE: 1/16"=1'-0"
1809A102
5/5



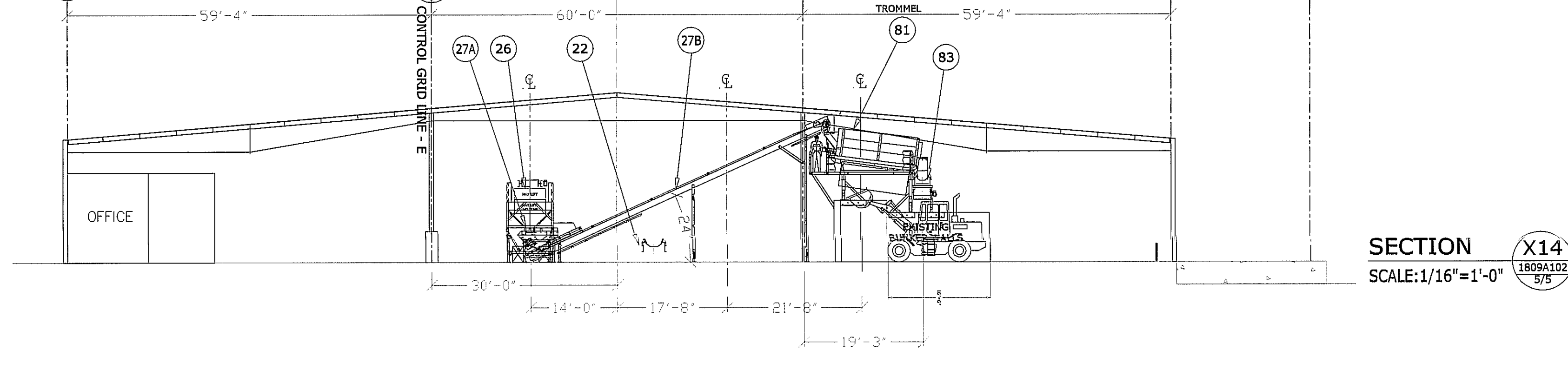
SECTION X11
SCALE: 1/16"=1'-0"
1809A102
5/5



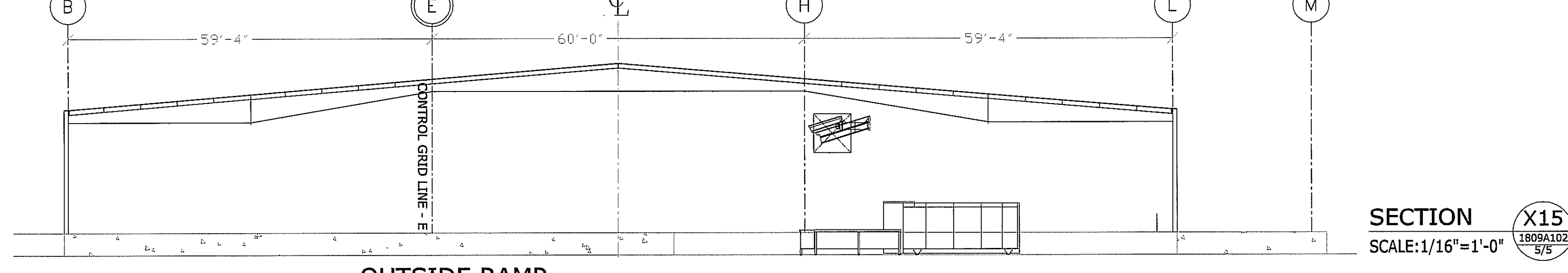
SECTION X12
SCALE: 1/16"=1'-0"
1809A102
5/5



SECTION X13
SCALE: 1/16"=1'-0"
1809A102
5/5



SECTION X14
SCALE: 1/16"=1'-0"
1809A102
5/5



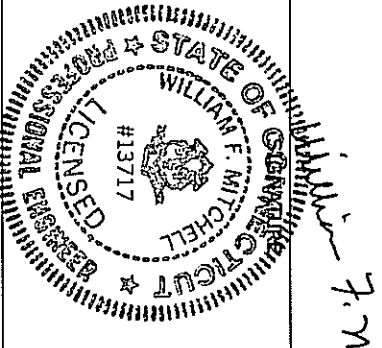
SECTION X15
SCALE: 1/16"=1'-0"
1809A102
5/5

FIBER & CONTAINER SORT SYSTEM

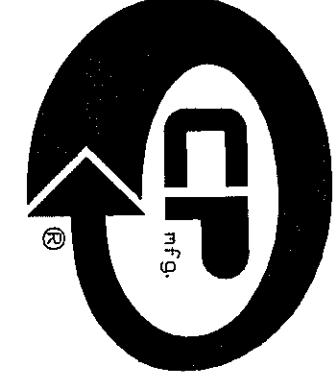
FCR / CASELLA WASTE INC.
HARTFORD - CONNECTICUT - USA
JOB # 1809

AS BUILT - EQUIPMENT LAYOUT

APPROVED BY: [Signature]
DATE: 4/14/07



NOTICE OF CONFIDENTIALITY:
THIS DRAWING IS THE PROPERTY OF CP MANUFACTURING INC. (NATIONAL CITY, CA) AND IS LOANED SUBJECT TO THE CONDITION THAT IT SHALL NOT BE REPRODUCED, COPIED, LOANED OR OTHERWISE DISPOSED OF. DIRECTLY OR INDIRECTLY, IT SHALL BE USED AS A MEANS OF REFERENCE TO WORK FURNISHED BY THIS COMPANY ONLY AND IS NOT TO BE SUBMITTED TO OUTSIDE PARTIES FOR EXAMINATION WITHOUT OUR WRITTEN CONSENT.



CP MANUFACTURING INC.
1300 WILSON AVENUE
NATIONAL CITY, CALIFORNIA, 91950
1.619.477.3175

SYSTEM LAYOUT "AS-BUILT" DRAWINGS	PROJECT NAME AND LOCATION: MATERIAL RECOVERY FACILITY FCR / CASELLA WASTE INC. 211 MURPHY ROAD HARTFORD, CT 06114-2105
CUSTOMER: FCR / CASELLA WASTE INC.	ENGINEER: HANS D. & M.D. DATE: 02/27/06
CUSTOMER APPROVAL:	APPROVED BY: SHEET NO. 5 OF 5
DRAWING NO. 1809A102_AS BUILT	SCALE: 1/16"=1'-0"

CP MANUFACTURING INC.
1300 WILSON AVENUE - NATIONAL CITY, CA 91950
PHONE: 619-477-3175 FAX: 619-477-3426

REV	DESCRIPTION	DATE	BY
7	PROVIDED "AS BUILT" DWGS	3/28/07	BHK
3	REVISED FOR PER CUSTOMER COMMENTS.	09/28/05	BH
4	MOVED GLASS SYSTEM 15' EAST. ADDED GLASS CRUSHER AND CONVEYOR.	09/28/05	BH
5	REVISED CONTAINER AND FIBER LINE PER LATEST CHANGES DONE BY HANS ON 02/03/06 SEND BY E-MAIL	03/03/06	MD
6	RELEASED FOR CONSTRUCTION	01/03/07	RRE