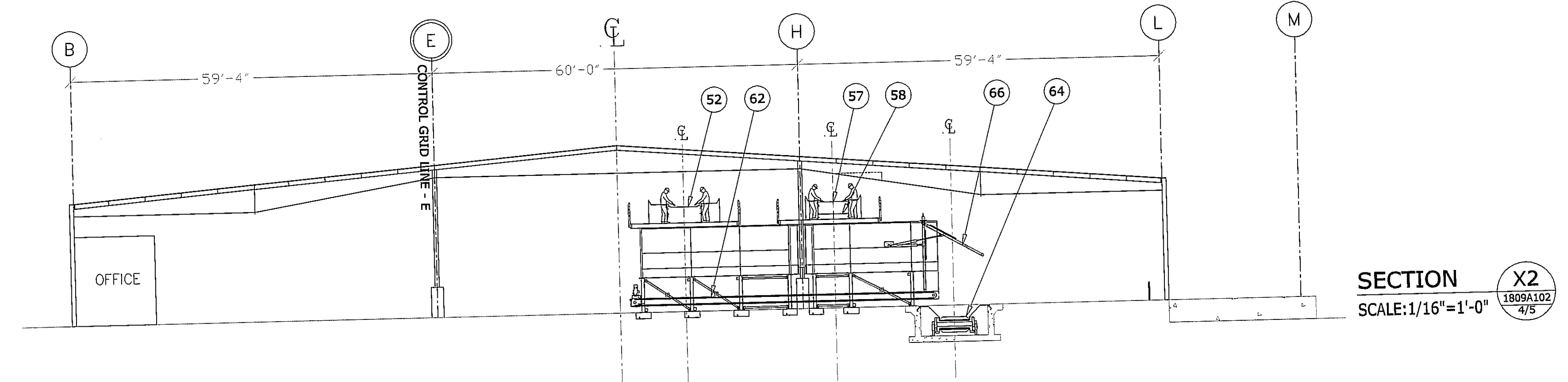
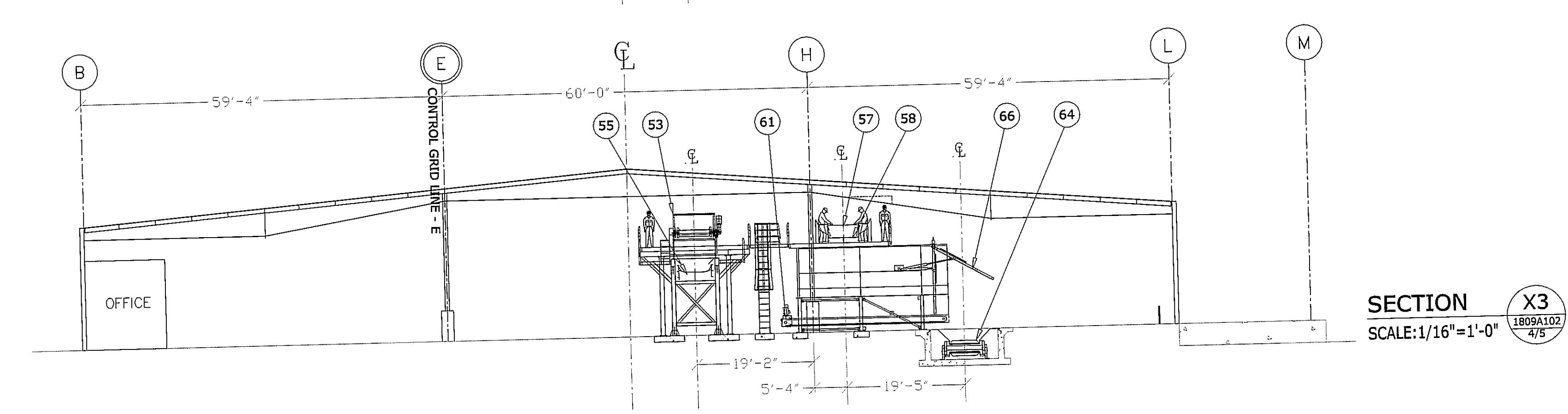


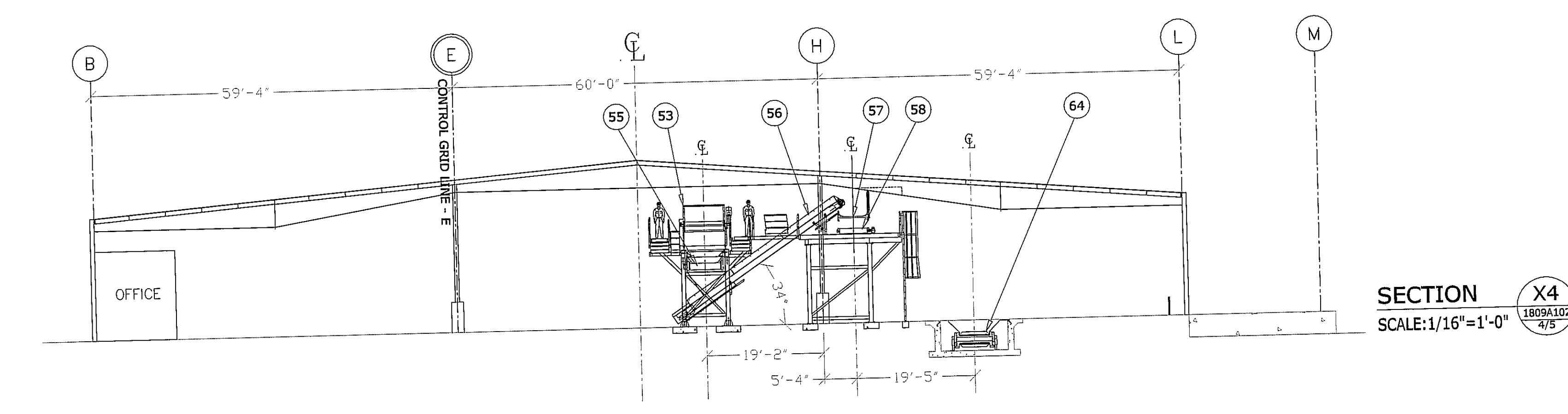
SECTION X1  
SCALE: 1/16"=1'-0"  
1809A102  
4/5



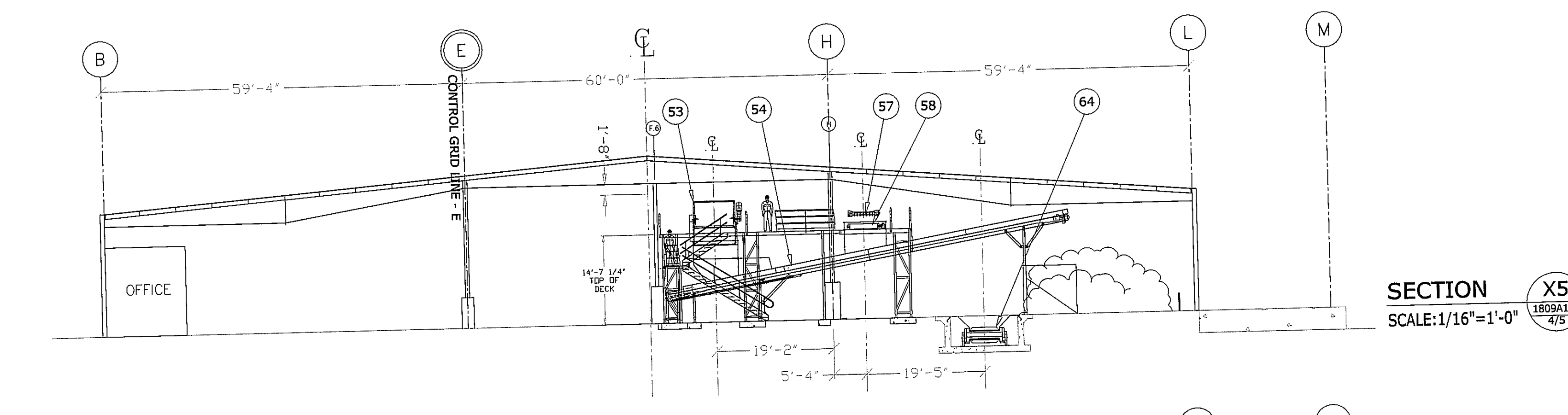
SECTION X2  
SCALE: 1/16"=1'-0"  
1809A102  
4/5



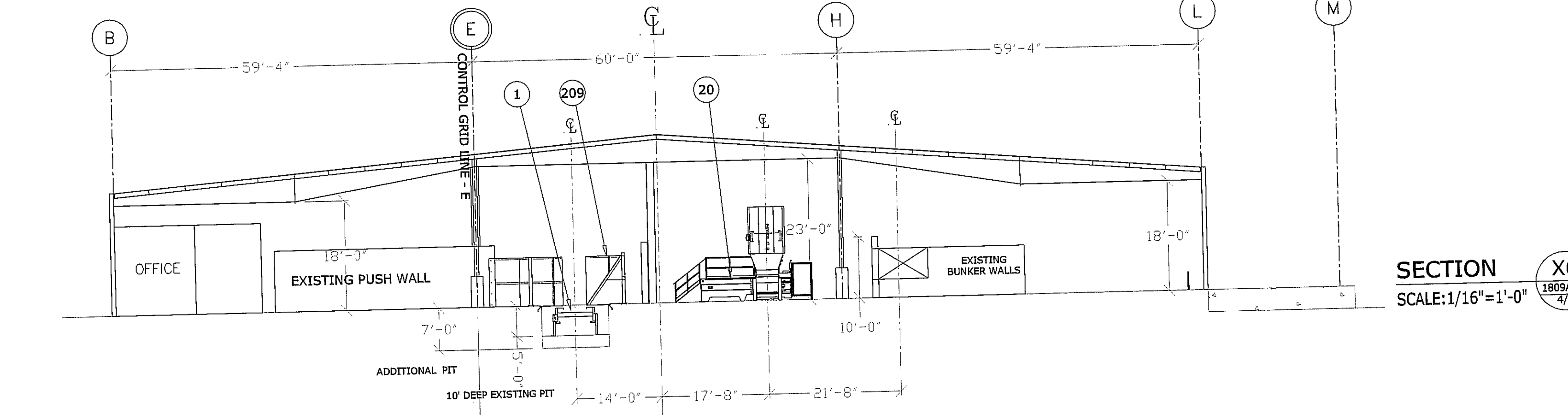
SECTION X3  
SCALE: 1/16"=1'-0"  
1809A102  
4/5



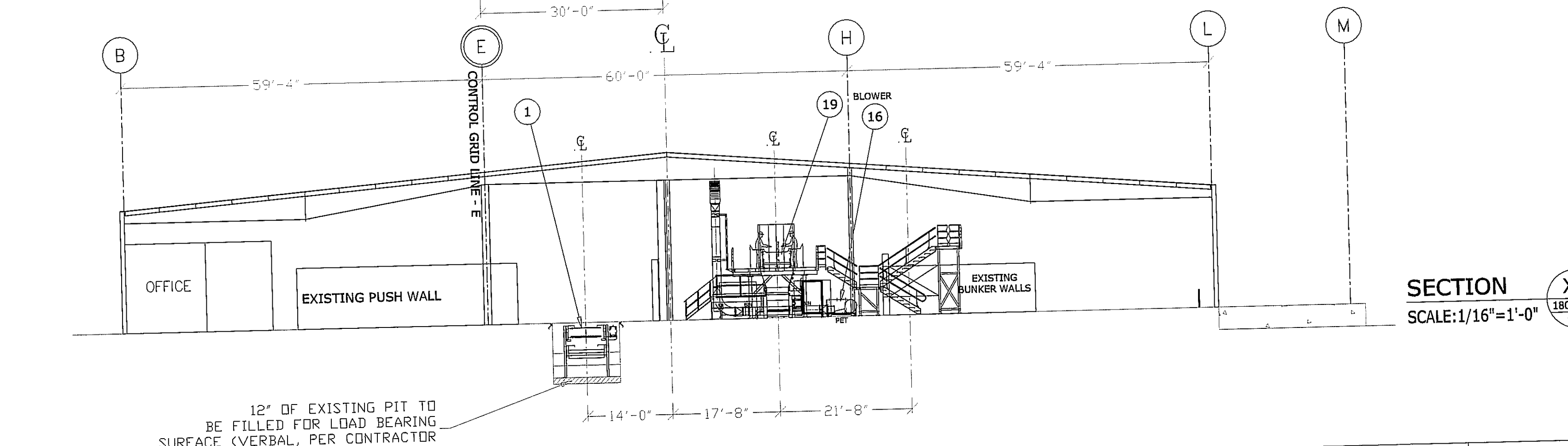
SECTION X4  
SCALE: 1/16"=1'-0"  
1809A102  
4/5



SECTION X5  
SCALE: 1/16"=1'-0"  
1809A102  
4/5



SECTION X6  
SCALE: 1/16"=1'-0"  
1809A102  
4/5



SECTION X7  
SCALE: 1/16"=1'-0"  
1809A102  
4/5

FIBER & CONTAINER SORT SYSTEM

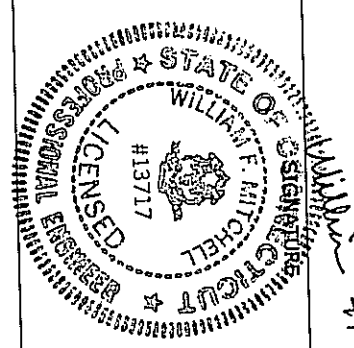
FCR / CASELLA WASTE INC.

HARTFORD - CONNECTICUT - USA

JOB # 1809

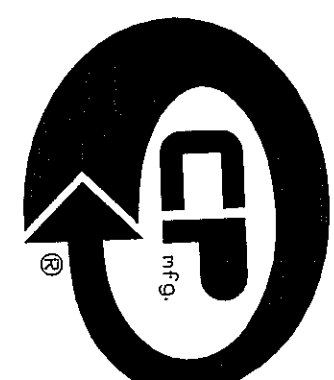
AS BUILT - EQUIPMENT LAYOUT

APPROVED: [Signature]  
DATE: 4/14/07



NOTICE OF CONFIDENTIALITY:

THIS DRAWING IS THE PROPERTY OF CP MANUFACTURING INC. (NATIONAL CITY, CA) AND IS LOANED SUBJECT TO THE CONDITION THAT IT SHALL NOT BE REPRODUCED, COPIED, LOANED OR OTHERWISE DISPOSED OF. DIRECTLY OR INDIRECTLY, IT SHALL BE USED AS A MEANS OF REFERENCE TO WORK FURNISHED BY THIS COMPANY ONLY AND IS NOT TO BE SUBMITTED TO OUTSIDE PARTIES FOR EXAMINATION WITHOUT OUR WRITTEN CONSENT.



CP MANUFACTURING INC.  
1300 WILSON AVENUE  
NATIONAL CITY, CALIFORNIA, 91950  
1.619.477.3175

SYSTEM LAYOUT "AS-BUILT" DRAWINGS  
CUSTOMER: FCR / CASELLA WASTE INC.  
CUSTOMER APPROVAL: [Signature]

PROJECT NAME AND LOCATION:  
MATERIAL RECOVERY FACILITY  
FCR / CASELLA WASTE INC.  
211 MURPHY ROAD  
HARTFORD, CT 06114-2105  
ENGINEER: HANS D. & M.D./BMK  
DATE: 02/27/06  
SHEET NO. 4 OF 5

CP MANUFACTURING INC.  
1300 WILSON AVENUE - NATIONAL CITY, CA 91950  
PHONE: 619-477-3175 FAX: 619-477-3426

REV	DESCRIPTION	DATE	BY
7	PROVIDED "AS BUILT" DWGS	3/28/07	BHK
3	REVISED FOR PER CUSTOMER COMMENTS.	09/28/05	DM
4	MOVED GLASS SYSTEM 15' EAST. ADDED GLASS CRUSHER AND CONVEYOR.	09/28/05	DM
5	REWORK CONTAINER AND FIBER LINE PER LATEST CHANGES DONE BY HANS ON 02/09/06 SEND BY E-MAIL	03/03/06	DM
6	RELEASED FOR CONSTRUCTION	01/03/07	BRC