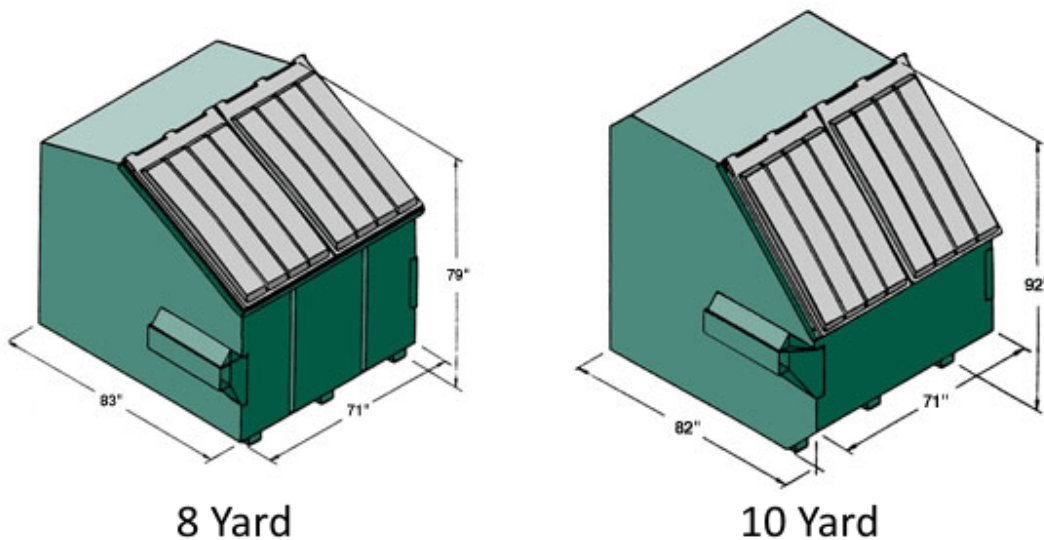
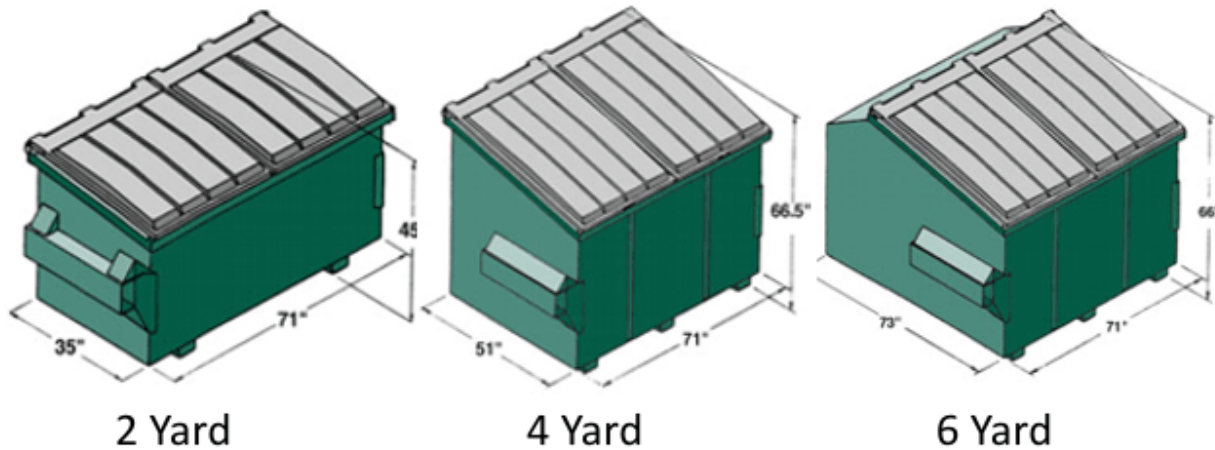


Common Trash and Recycling Container Capacities



Size	Typical Exterior Dimensions	Total Volume
10 yard dumpster	14 ft. long by 7.5 ft. wide by 3.5 ft. high	10 cubic yards
15 yard dumpster	16 ft. long by 7.5 ft. wide by 4.5 ft. high	15 cubic yards
20 yard dumpster	22 ft. long by 7.5 ft. wide by 4.5 ft. high	20 cubic yards
30 yard dumpster	22 ft. long by 7.5 ft. wide by 6 ft. high	30 cubic yards
40 yard dumpster	22 ft. long by 7.5 ft. wide by 8 ft. high	40 cubic yards



One cubic yard = 202 gallons

Figure 1 – 96 gallon (0.48 cy)

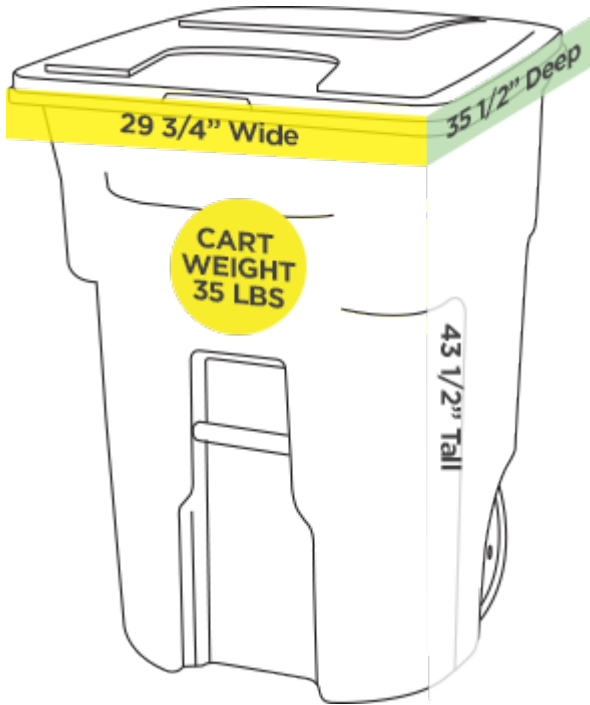


Figure 2 – 64 gallon (0.32 cy)

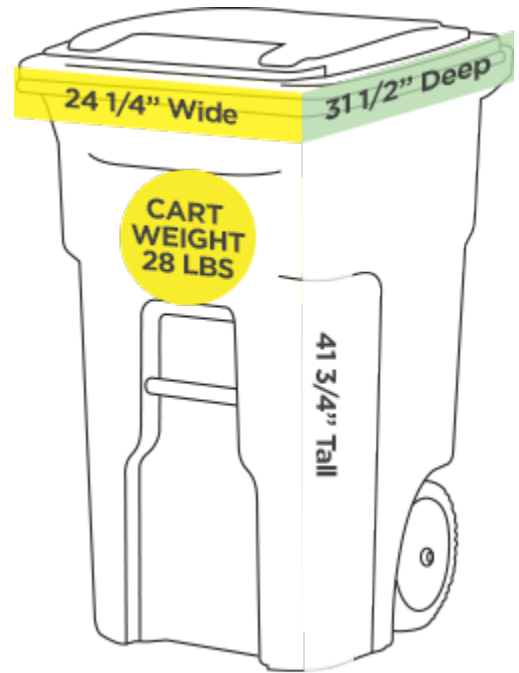


Figure 3 – 48 gallon (0.24 cy)

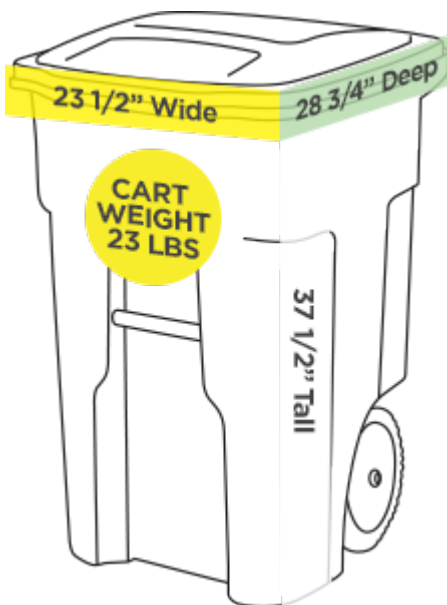


Figure 4 – 32 gallon (0.16 cy)

