



## Connecticut Department of Energy and Environmental Protection License\*

### Structures, Dredging & Fill Permit

**Licensee(s):** John M. Ciuffo

**Licensee Address(s):** 76 Sea Beach Drive  
Stamford, CT 06902

**License Number(s):** 202404138-SDF

**Municipality:** Stamford

**Project Description:** Modification of existing dock for residential boating access

**Project Address/Location:** 76 Sea Beach Drive

**Waters:** Long Island Sound

**Authorizing CT Statute(s)  
and/or Federal Law:** CGS Section 22a-359 to 363g; CGS Section 22a-90 to 112

**Applicable Regulations of  
CT State Agencies:**

**Agency Contact:** Land & Water Resources Division,  
Bureau of Water Protection & Land Reuse, 860-424-3019

**License Expiration:** Five (5) years from the date of issuance of this license.

**Project Site Plan Set:** Seven sheets of site plans prepared by Seymour Surveying dated 10/17/2023 with sheets 6-7 revised on 08/01/2024.

**License Enclosures:** LWRD Compliance Certification Form; Land Record Filing;  
LWRD General Conditions; Site Plan Set; LWRD Work  
Commencement Form

\*Connecticut's Uniform Administrative Procedure Act defines License to include, "the whole or part of any agency permit, certificate, approval, registration, charter or similar form of permission required by law . . ."

**Authorized Activities:**

The Licensee is hereby authorized to conduct the following work as described in application # 202404138 and as depicted on any site plan sheets / sets cited herein:

1. modify an existing dock by:
  - a. removing the existing float;
  - b. stabilizing the ramp in a fixed position; and,
  - c. installing a fixed 6' x 10' platform supported by four support piles and comprised of open grate decking and an access ladder.
2. retain 3' x 15' concrete steps.

*Failure to comply with the terms and conditions of this license shall subject the Licensee and / or the Licensee's contractor(s) to enforcement actions and penalties as provided by law.*

**This license is subject to the following Terms and Conditions:**

1. **License Enclosure(s) and Conditions.** The Licensee shall comply with all applicable terms and conditions as may be stipulated within the License Enclosure(s) listed above.
2. **Time-of-Year Restrictions.** Unconfined in-water excavation, dredging, filling or removal of debris or other material is prohibited between June 1st and September 30th, inclusive, of any year in order to protect spawning shellfish in the area unless otherwise authorized in writing by the Commissioner.
3. **Berthing Restriction.** No vessel shall be berthed at, moored at, or otherwise secured to, the pier authorized herein during periods of low water.
4. **Barge Staging and Storage.** Any barge utilized in the execution of the work authorized herein shall occur only during periods of higher water to prevent the barge from resting on, or coming into contact with, the substrate at any time.

Issued under the authority of the Commissioner of Energy and Environmental Protection on:

\_\_\_\_\_  
Date

\_\_\_\_\_  
Graham J. Stevens  
Bureau Chief  
Bureau of Water Protection & Land Reuse



## LWRD General Conditions

1. **Land Record Filing (for Structures Dredging & Fill, Tidal Wetlands, Certificate of Permission, and Long Island Sound General Permit Licenses only).** The Licensee shall file the Land Record Filing on the land records of the municipality in which the subject property is located not later than thirty (30) days after license issuance pursuant to Connecticut General Statutes (CGS) Section 22a-363g. A copy of the Notice with a stamp or other such proof of filing with the municipality shall be submitted to [DEEP.LWRDRegulatory@ct.gov](mailto:DEEP.LWRDRegulatory@ct.gov) no later than sixty (60) days after license issuance. If a Land Record Filing form is not enclosed and the work site is not associated with an upland property, no filing is required.
2. **Contractor Notification.** The Licensee shall give a copy of the license and its attachments to the contractor(s) who will be carrying out the authorized activities prior to the start of construction and shall receive a written receipt for such copy, signed and dated by such contractor(s). The Licensee's contractor(s) shall conduct all operations at the site in full compliance with the license and, to the extent provided by law, may be held liable for any violation of the terms and conditions of the license. At the work site, the contractor(s) shall, whenever work is being performed, have on site and make available for inspection a copy of the license and the authorized plans.
3. **Work Commencement<sup>1</sup>.** Not later than two (2) weeks prior to the commencement of any work authorized herein, the Licensee shall submit to [DEEP.LWRDRegulatory@ct.gov](mailto:DEEP.LWRDRegulatory@ct.gov), on the Work Commencement Form attached hereto, the name(s) and address(es) of all contractor(s) employed to conduct such work and the expected date for commencement and completion of such work, if any.
  - For water diversion activities authorized pursuant to 22a-377(c)-1 of the Regulations of Connecticut State Agencies, the Licensee shall also notify the Commissioner in writing two weeks prior to initiating the authorized diversion.
  - For emergency activities authorized pursuant Connecticut General Statutes Section 22a-6k, the Licensee shall notify the Commissioner, in writing, of activity commencement at least one (1) day prior to construction and of activity completion no later than five (5) days after conclusion.
4. **For Coastal Licenses Only - License Notice.** The Licensee shall post the first page of the License in a conspicuous place at the work area while the work authorized therein is undertaken.
5. **Unauthorized Activities.** Except as specifically authorized, no equipment or material, including but not limited to, fill, construction materials, excavated material or debris, shall be deposited, placed or stored in any wetland or watercourse on or off-site. The Licensee may not

---

<sup>1</sup> The Work Commencement condition and the need for a Work Commencement Form is not applicable to Flood Management Certification approvals.

conduct work within wetlands or watercourses other than as specifically authorized, unless otherwise authorized in writing by the Commissioner. Tidal wetlands means “wetland” as defined by section 22a-29 and “freshwater wetlands and watercourses” means “wetlands” and “watercourses” as defined by section 22a-38.

6. **Management of Materials.** Any materials removed from the site shall be managed in accordance with all federal, state, and local requirements, including Chapter 446K Water Pollution Control, Chapter 445 Hazardous Waste, and Chapter 446d Solid Waste of the Connecticut General Statutes.
7. **Unconfined Instream Work.** Unless otherwise noted in a condition of the license, the following conditions apply to projects in non-coastal waters:
  - Unconfined instream work is limited to the period June 1 through September 30.
  - Confinement of a work area by cofferdam techniques using sand bag placement, sheet pile installation (vibratory method only), portadam, or similar confinement devices is allowed any time of the year. The removal of such confinement devices is allowed any time of the year.
  - Once a work area has been confined, in-water work within the confined area is allowed any time of the year.
  - The confinement technique used shall completely isolate and protect the confined area from all flowing water. The use of silt boom/curtain or similar technique as a means for confinement is prohibited.
8. **For State Actions Only - Material or Equipment Storage in the Floodplain.** Unless approved by a Flood Management Exemption, the storage of any materials at the site which are buoyant, hazardous, flammable, explosive, soluble, expansive, radioactive, or which could in the event of a flood be injurious to human, animal or plant life, below the elevation of the five-hundred (500) year flood is prohibited. Any other material or equipment stored at the site below said elevation by the Licensee or the Licensee's contractor must be firmly anchored, restrained or enclosed to prevent flotation. The quantity of fuel stored below such elevation for equipment used at the site shall not exceed the quantity of fuel that is expected to be used by such equipment in one day. In accordance with the licensee's Flood Contingency Plan, the Licensee shall remove equipment and materials from the floodplain during periods when flood warnings have been issued or are anticipated by a responsible federal, state or local agency. It shall be the Licensee's responsibility to obtain such warnings when flooding is anticipated.
9. **Temporary Hydraulic Facilities for Water Handling.** If not reviewed and approved as a part of the license application, temporary hydraulic facilities shall be designed by a qualified professional and in accordance with the *Connecticut Guidelines for Soil Erosion and Sediment Control*, the *2004 Connecticut Stormwater Quality Manual*, or the *Department of Transportation's ConnDOT Drainage Manual*, as applicable. Temporary hydraulic facilities may include channels, culverts or bridges which are required for haul roads, channel relocations, culvert installations, bridge construction, temporary roads, or detours.
10. **Excavated Materials.** Unless otherwise authorized, all excavated material shall be staged and

managed in a manner which prevents additional impacts to wetlands and watercourses.

- 11. Best Management Practices.** The Licensee shall not cause or allow pollution of any wetlands or watercourses, including pollution resulting from sedimentation and erosion. In constructing or maintaining any authorized structure or facility or conducting any authorized activity, or in removing any such structure or facility, the Licensee shall employ best management practices to control storm water discharges, to prevent erosion and sedimentation, and to otherwise prevent pollution of wetlands and other waters of the State. For purposes of the license, “pollution” means “pollution” as that term is defined by CGS section 22a-423. Best Management Practices include, but are not limited, to practices identified in the *Connecticut Guidelines for Soil Erosion and Sediment Control* as revised, *2004 Connecticut Stormwater Quality Manual*, Department of Transportation’s *ConnDOT Drainage Manual* as revised, and the Department of Transportation Standard Specifications as revised.
- 12. In-Water Work Vessel Staging and Storage. (for Structures Dredging & Fill, Tidal Wetlands, Certificate of Permission, and Long Island Sound General Permit Licenses only).** For any barge, vessel, skiff or floating work platform (“work vessels”) utilized in the execution of the work authorized herein, the Licensee shall ensure that such work vessels:

  - do not rest on, or come in contact with, the substrate at any time, unless specifically authorized in the license.
  - are not stored over intertidal flats, submerged aquatic vegetation or tidal wetland vegetation or in a location that interferes with navigation. In the event any work vessel is grounded, no dragging or prop dredging shall occur to free it.
- 13. Work Site Restoration.** Upon completion of any authorized work, the Licensee shall restore all areas temporarily impacted by construction, or used as a staging area or accessway in connection with such work, to their condition prior to the commencement of such work.
- 14. Inspection.** The Licensee shall allow any representative of the Commissioner to inspect the project location at reasonable times to ensure that work is being or has been conducted in accordance with the terms and conditions of this license.
- 15. Change of Use. (Applies only if a use is specified within the License “Project Description”)**

  - a. The work specified in the license is authorized solely for the purpose set forth in the license. No change in purpose or use of the authorized work or facilities as set forth in the license may occur without the prior written approval of the Commissioner. The Licensee shall, prior to undertaking or allowing any change in use or purpose from that which is authorized by this license, request permission from the Commissioner for such change. Said request shall be in writing and shall describe the proposed change and the reason for the change.
  - b. A change in the form of ownership of any structure authorized herein from a rental/lease commercial marina to a wholly-owned common interest community or dockominium may constitute a change in purpose as specified in paragraph (a) above.
- 16. De Minimis Alteration.** The Licensee shall not deviate from the authorized activity without prior written approval from the Commissioner. The Licensee may request a de minimis change

to any authorized structure, facility, or activity. A de minimis alteration means a change in the authorized design, construction or operation that individually and cumulatively has minimal additional environmental impact and does not substantively alter the project as authorized.

- For diversion activities authorized pursuant to 22a-377(c)-2 of the Regulations of Connecticut State Agencies, a de minimis alteration means an alteration which does not significantly increase the quantity of water diverted or significantly change the capacity to divert water.

**17. Extension Request.** The Licensee may request an extension of the license expiration date. Such request shall be in writing and shall be submitted to [DEEP.LWRDRegulatory@ct.gov](mailto:DEEP.LWRDRegulatory@ct.gov) at least thirty (30) days prior to the license expiration. Such request shall describe the work done to date, what work still needs to be completed, and the reason for such extension. The Commissioner may extend the expiration date of this license for a period of up to one year, in order for the Licensee to complete the authorized activities. It shall be at the Commissioner's sole discretion to grant or deny such request. No more than three (3) one-year extensions will be granted under this license.

**18. Compliance Certification<sup>2</sup>.** Not later than 90 days after completion of the authorized work, the Licensee shall prepare and submit to [DEEP.LWRDRegulatory@ct.gov](mailto:DEEP.LWRDRegulatory@ct.gov), the attached Compliance Certification Form. Such Compliance Certification shall be completed, signed, and sealed by the Licensee and a Connecticut Licensed Design Professional. If non-compliance is indicated on the form, or the Commissioner has reason to believe the activities and/or structures were conducted in non-compliance with the license, the Commissioner may require the Licensee to submit as-built plans as a condition of this license.

**19. Maintenance.** The Licensee shall maintain all authorized structures or work in optimal condition or shall remove such structures or facility and restore the affected waters to their pre-work condition. Any such maintenance or removal activity shall be conducted in accordance with applicable law and any additional approvals required by law.

**20. No Work After License Expiration.** Work conducted after the license expiration date is a violation of the license and may subject the licensee to enforcement action, including penalties, as provided by law.

**21. License Transfer.** The license is not transferable without prior written authorization of the Commissioner. A request to transfer a license shall be submitted in writing and shall describe the proposed transfer and the reason for such transfer. The Licensee's obligations under the license shall not be affected by the passage of title to the license site to any other person or municipality until such time as a transfer is approved by the Commissioner.

**22. Document Submission.** Any document required to be submitted to the Commissioner under the license or any contact required to be made with the Commissioner shall, unless otherwise specified in writing by the Commissioner, be directed to:

[DEEP.LWRDRegulatory@ct.gov](mailto:DEEP.LWRDRegulatory@ct.gov) or

---

<sup>2</sup> The Work Commencement condition and the need for a Work Commencement Form is not applicable to Flood Management Certification approvals.

Regulatory Section  
Land & Water Resources Division  
Department of Energy and Environmental Protection  
79 Elm Street  
Hartford, Connecticut 06106-5127  
860-424-3019

- 23. Date of Document Submission.** The date of submission to the Commissioner of any document required by the license shall be the date such document is received by the Commissioner. The date of any notice by the Commissioner under the license, including but not limited to notice of approval or disapproval of any document or other action, shall be the date such notice is personally delivered or the date three (3) days after it is mailed by the Commissioner, whichever is earlier. Except as otherwise specified in the license, the word “day” as used in the license means calendar day. Any document or action which is required by the license to be submitted or performed by a date which falls on a Saturday, Sunday or a Connecticut or federal holiday shall be submitted or performed on or before the next day which is not a Saturday, Sunday, or a Connecticut or federal holiday.
- 24. Certification of Documents.** Any document, including but not limited to any notice, which is required to be submitted to the Commissioner under the license shall be signed by the Licensee and by the individual or individuals responsible for actually preparing such document, each of whom shall certify in writing as follows: “I have personally examined and am familiar with the information submitted in this document and all attachments and certify that based on reasonable investigation, including my inquiry of those individuals responsible for obtaining the information, the submitted information is true, accurate and complete to the best of my knowledge and belief, and I understand that any false statement made in this document or its attachments may be punishable as a criminal offense.”
- 25. Accuracy of Documentation.** In evaluating the application for the license, the Commissioner has relied on information and data provided by the Licensee and on the Licensee’s representations concerning site conditions, design specifications and the proposed work, including but not limited to representations concerning the commercial, public or private nature of the work or structures, the water-dependency of said work or structures, its availability for access by the general public, and the ownership of regulated structures or filled areas. If such information proves to be false, deceptive, incomplete or inaccurate, the license may be modified, suspended or revoked, and any unauthorized activities may be subject to enforcement action.
- 26. Limits of Liability.** In granting the license, the Commissioner has relied on all representations of the Licensee, including information and data provided in support of the Licensee’s application. Neither the Licensee’s representations nor the issuance of the license shall constitute an assurance by the Commissioner as to the structural integrity, the engineering feasibility or the efficacy of such design.
- 27. Reporting of Violations.** In the event that the Licensee becomes aware that they did not or may not comply, or did not or may not comply on time, with any provision of this license or

of any document incorporated into the license, the Licensee shall immediately notify the agency contact specified within the license and shall take all reasonable steps to ensure that any noncompliance or delay is avoided or, if unavoidable, is minimized to the greatest extent possible. In so notifying the agency contact, the Licensee shall provide, for the agency's review and written approval, a report including the following information:

- a. the provision(s) of the license that has been violated;
- b. the date and time the violation(s) was first observed and by whom;
- c. the cause of the violation(s), if known;
- d. if the violation(s) has ceased, the duration of the violation(s) and the exact date(s) and times(s) it was corrected;
- e. if the violation(s) has not ceased, the anticipated date when it will be corrected;
- f. steps taken and steps planned to prevent a reoccurrence of the violation(s) and the date(s) such steps were implemented or will be implemented; and
- g. the signatures of the Licensee and of the individual(s) responsible for actually preparing such report.

If the violation occurs outside of normal business hours, the Licensee shall contact the Department of Energy and Environmental Protection Emergency Dispatch at 860-424-3333. The Licensee shall comply with any dates which may be approved in writing by the Commissioner.

- 28. Revocation/Suspension/Modification.** The license may be revoked, suspended, or modified in accordance with applicable law.
- 29. Other Required Approvals.** License issuance does not relieve the Licensee of their obligations to obtain any other approvals required by applicable federal, state and local law.
- 30. Rights.** The license is subject to and does not derogate any present or future property rights or powers of the State of Connecticut, and conveys no property rights in real estate or material nor any exclusive privileges, and is further subject to any and all public and private rights and to any federal, state or local laws or regulations pertinent to the property or activity affected hereby.
- 31. Condition Conflicts.** In the case where a project specific special condition listed on the license differs from, or conflicts with, one of the general conditions listed herein, the project specific special condition language shall prevail. It is the licensee's responsibility to contact the agency contact person listed on the license for clarification if needed prior to conducting any further regulated activities.



THIS SURVEY AND MAP HAVE BEEN PREPARED IN ACCORDANCE WITH SECTIONS 20-300B-1 THROUGH 20-300B-20 OF THE REGULATIONS OF CONNECTICUT STATE AGENCIES - "MINIMUM STANDARDS OF ACCURACY, CONTENT AND CERTIFICATION FOR SURVEYS AND MAPS" IN THE STATE OF CONNECTICUT AS AMENDED ON OCTOBER 26, 2018.

IT IS AN IMPROVEMENT LOCATION SURVEY THE BOUNDARY DETERMINATION CATEGORY OF WHICH IS A RESURVEY CONFORMING TO HORIZONTAL ACCURACY CLASS 'A - 2' AND IS INTENDED TO DEPICT OR NOTE THE POSITION HORIZONTALLY AND, WHERE REQUIRED, VERTICALLY BETWEEN PARTICULAR EXISTING OR PROPOSED IMPROVEMENTS WITH RESPECT TO APPLICABLE MUNICIPAL OR STATUTORY REQUIREMENTS. THE PURPOSE OF THIS TYPE OF SURVEY IS TO ENABLE DETERMINATION OF COMPLIANCE WITH SAID REQUIREMENTS.

ELEVATIONS DEPICTED HEREON ARE BASED ON N.A.V.D. 1988 VERTICAL DATUM AND CONFORM TO VERTICAL ACCURACY CLASS 'V - 3'.

THIS SURVEY WAS PREPARED FOR A SPECIFIC PURPOSE. ANY USE OTHER THAN FOR THAT WHICH WAS INTENDED IS A MISUSE OF THIS INFORMATION AND RENDERS THE PREPARER'S DECLARATION NULL AND VOID.

UNAUTHORIZED ALTERATIONS OR ADDITIONS TO THIS MAP RENDERS THE PREPARER'S DECLARATION NULL AND VOID.

DISTANCES NOTED +/- FROM BUILDINGS TO PROPERTY LINES ARE FOR REFERENCE PURPOSES ONLY AND ARE NOT TO BE USED TO ESTABLISH PROPERTY BOUNDARIES.

UNDERGROUND IMPROVEMENTS OR ENCROACHMENTS, IF ANY, ARE NOT DEPICTED HEREON.

PROPERTY IS LOCATED IN A 'R - 20' ZONE.

REFER TO MAPS 286 & 4767 OF THE STAMFORD LAND RECORDS.

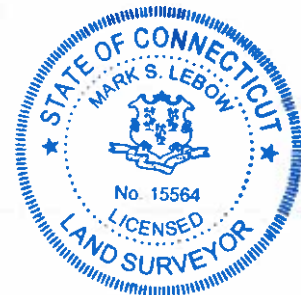
THESE PLANS WERE PREPARED FOR THE CONNECTICUT DEPARTMENT OF ENERGY & ENVIRONMENTAL PROTECTION AND THE ARMY CORPS OF ENGINEERS FOR PERMITTING PURPOSES ONLY. THEY ARE NOT INTENDED TO BE CONSTRUCTION PLANS NOR PLANS FOR LOCAL PERMITTING IF REQUIRED.

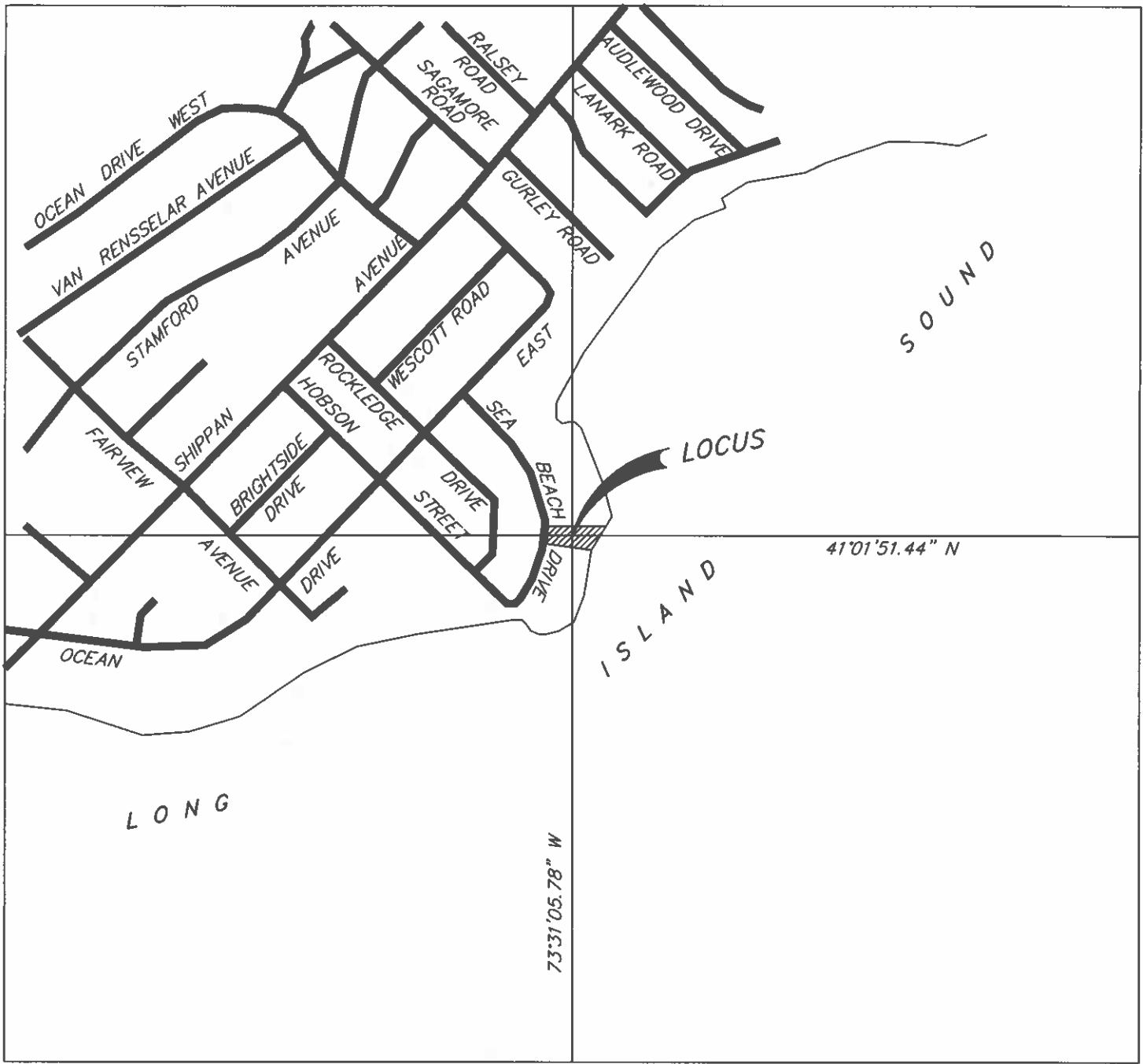
DECLARATION AND NOTES FOR  
IMPROVEMENT LOCATION SURVEY  
DEPICTING DOCK MODIFICATIONS  
76 SEA BEACH DRIVE  
STAMFORD, CONNECTICUT  
PREPARED FOR  
GEORGE J. NUNNO  
JOHN M. CIUFFO

OCTOBER 17, 2023

SEYMOUR SURVEYING

LAND SURVEYORS ~ ZONING & LAND USE CONSULTANTS  
199 WEST AVENUE ~ 203-655-3331 ~ DARIEN, CONN. ©





**LOCATION MAP**

TAX ASSESSORS BLOCK 150, LOT 11 - "R - 20" RESIDENCE ZONE

PERMITTING AGENT  
 JAMES J. BAJEK, LLC  
 4570 BOWEN BAYOU ROAD  
 SANIBEL, FL 33957  
 PHONE: 603-930-4549  
 JJBAJEK@COMCAST.NET

1 inch = 800 ft.



LOCUS MAP  
 76 SEA BEACH DRIVE  
 STAMFORD, CONNECTICUT  
 PREPARED FOR

**GEORGE J. NUNNO**  
**JOHN M. CIUFFO**

SCALE: 1" = 800 FT.      OCTOBER 17, 2023

**SEYMOUR SURVEYING**

LAND SURVEYORS ~ ZONING & LAND USE CONSULTANTS  
 199 WEST AVENUE ~ 203-655-3331      DARIEN, CONN.

DATUM: N.A.V.D. 88

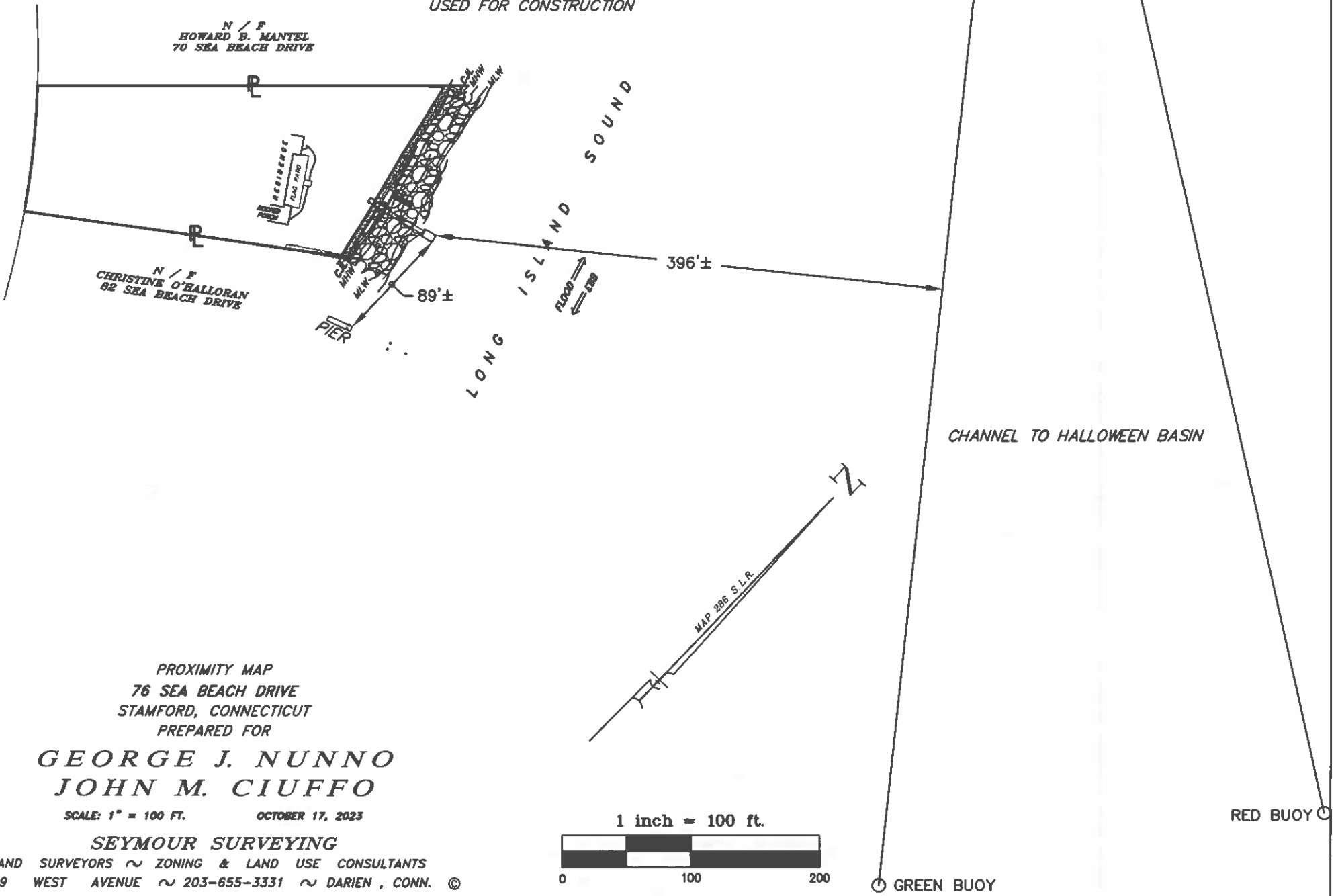
COASTAL JURISDICTION LINE - ELEV. 5.5  
MEAN HIGH WATER - ELEV. 3.4  
MEAN LOW WATER - ELEV. -3.7

PLANS ARE FOR PERMITTING  
PURPOSES ONLY, NOT TO BE  
USED FOR CONSTRUCTION

GREEN BUOY

16-13802

RED BUOY



N / F  
HOWARD B. MANTEL  
70 SEA BEACH DRIVE

N / F  
CHRISTINE O'HALLORAN  
82 SEA BEACH DRIVE

LONG ISLAND SOUND

CHANNEL TO HALLOWEEN BASIN

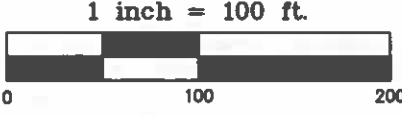
PROXIMITY MAP  
76 SEA BEACH DRIVE  
STAMFORD, CONNECTICUT  
PREPARED FOR

**GEORGE J. NUNNO**  
**JOHN M. CIUFFO**

SCALE: 1" = 100 FT.      OCTOBER 17, 2023

**SEYMOUR SURVEYING**

LAND SURVEYORS ~ ZONING & LAND USE CONSULTANTS  
199 WEST AVENUE ~ 203-655-3331 ~ DARIEN, CONN. ©



GREEN BUOY

RED BUOY

DATUM: N.A.V.D. 88

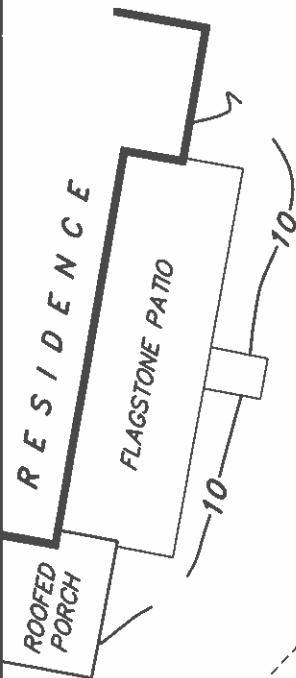
COASTAL JURISDICTION LINE - ELEV. 5.5

MEAN HIGH WATER - ELEV. 3.4

MEAN LOW WATER - ELEV. -3.7

PLANS ARE FOR PERMITTING PURPOSES ONLY, NOT TO BE USED FOR CONSTRUCTION

16-13802



3.5'± x 153'± CONCRETE SEA WALL

CONCRETE PLATFORM

EXISTING 4'x12' PIER

STEP

EXISTING 3'x32' RAMP

CONCRETE STEPS

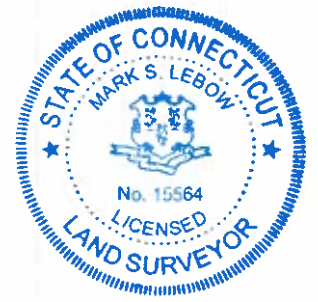
4'x4' RAMP

10'x10' FLOAT

PILE

37'±

186± TOTAL SQ.FT. BELOW MHW



FLOOD  
EBB

SUPPORT FLOAT  
IMPROVEMENT LOCATION SURVEY  
DEPICTING EXISTING CONDITIONS  
76 SEA BEACH DRIVE  
STAMFORD, CONNECTICUT  
PREPARED FOR

GEORGE J. NUNNO  
JOHN M. CIUFFO

SCALE: 1" = 20 FT.

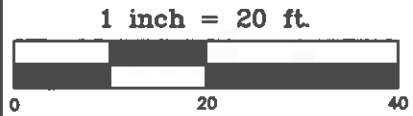
OCTOBER 17, 2023

SEYMOUR SURVEYING

LAND SURVEYORS ~ ZONING & LAND USE CONSULTANTS  
199 WEST AVENUE ~ 203-655-3331 ~ DARIEN, CONN. ©

TO MY KNOWLEDGE AND BELIEF, THIS MAP IS SUBSTANTIALLY CORRECT AS NOTED HEREON.

Mark S. Lebow, PLS #15564  
Mark S. Lebow Conn. L.L.S. Reg. No. 15564



0 20 40

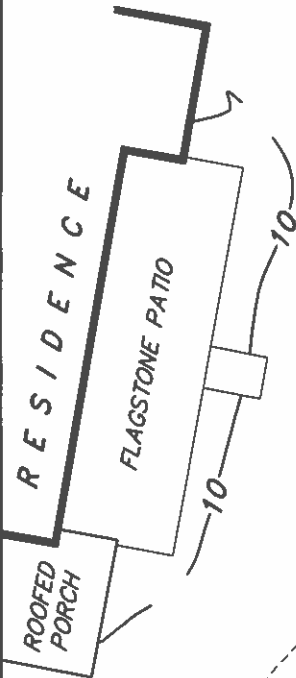
DATUM: N.A.V.D. 88

COASTAL JURISDICTION LINE - ELEV. 5.5

MEAN HIGH WATER - ELEV. 3.4

MEAN LOW WATER - ELEV. -3.7

PLANS ARE FOR PERMITTING PURPOSES ONLY, NOT TO BE USED FOR CONSTRUCTION



3.5'± x 153'± CONCRETE SEA WALL

CONCRETE PLATFORM

EXISTING 4'x12' PIER

STEP

EXISTING 3'x32' RAMP

PROPOSED 6'x10' PLATFORM WITH OPEN GRATE DECKING

PROPOSED PILE (TYP.)

PROPOSED ACCESS LADDER

151± TOTAL SQ.FT. BELOW MHW



IMPROVEMENT LOCATION SURVEY  
DEPICTING PROPOSED CONDITIONS  
76 SEA BEACH DRIVE  
STAMFORD, CONNECTICUT  
PREPARED FOR

**GEORGE J. NUNNO**  
**JOHN M. CIUFFO**

SCALE: 1" = 20 FT.

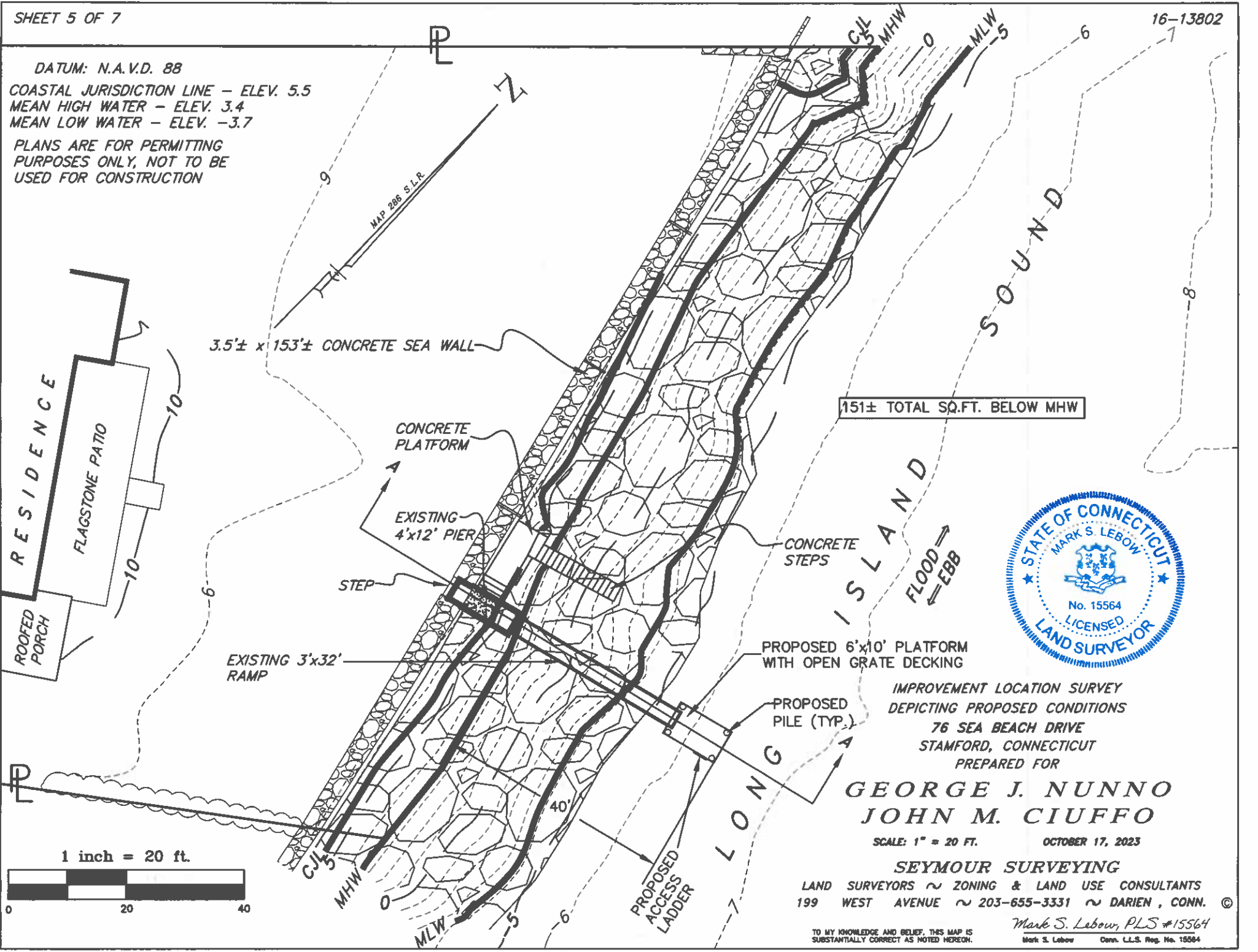
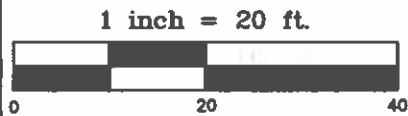
OCTOBER 17, 2023

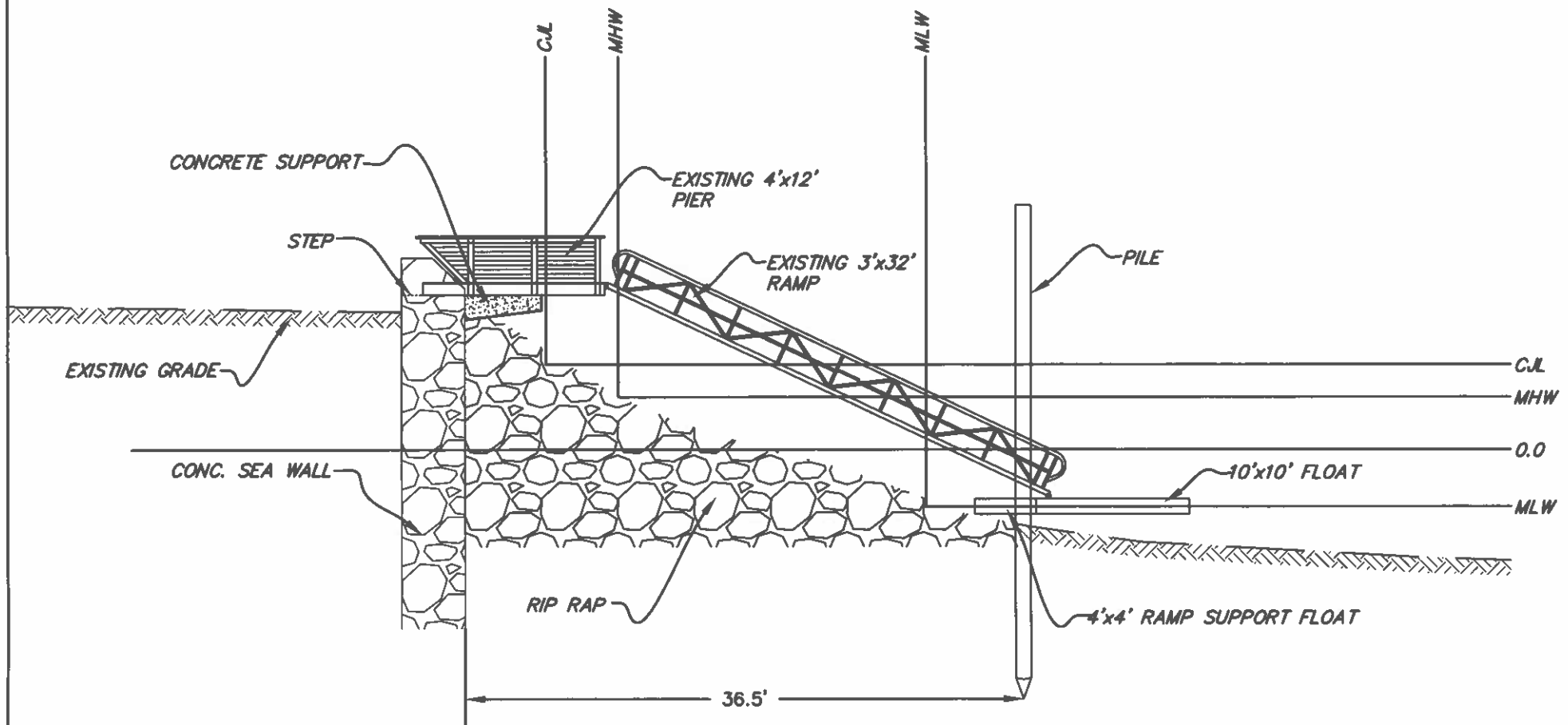
**SEYMOUR SURVEYING**

LAND SURVEYORS ~ ZONING & LAND USE CONSULTANTS  
199 WEST AVENUE ~ 203-655-3331 ~ DARIEN, CONN. ©

TO MY KNOWLEDGE AND BELIEF, THIS MAP IS SUBSTANTIALLY CORRECT AS NOTED HEREON.

Mark S. Lebow, PLS #15564  
Mark S. Lebow Conn. L.L.S. Reg. No. 15564





CROSS SECTION A - A



1 inch = 10 ft.



DATUM: N.A.V.D. 88

COASTAL JURISDICTION LINE - ELEV. 5.5

MEAN HIGH WATER - ELEV. 3.4

MEAN LOW WATER - ELEV. -3.7

PLANS ARE FOR PERMITTING PURPOSES ONLY, NOT TO BE USED FOR CONSTRUCTION

IMPROVEMENT LOCATION SURVEY  
DEPICTING EXISTING CROSS SECTION  
76 SEA BEACH DRIVE  
STAMFORD, CONNECTICUT  
PREPARED FOR

**GEORGE J. NUNNO**  
**JOHN M. CIUFFO**

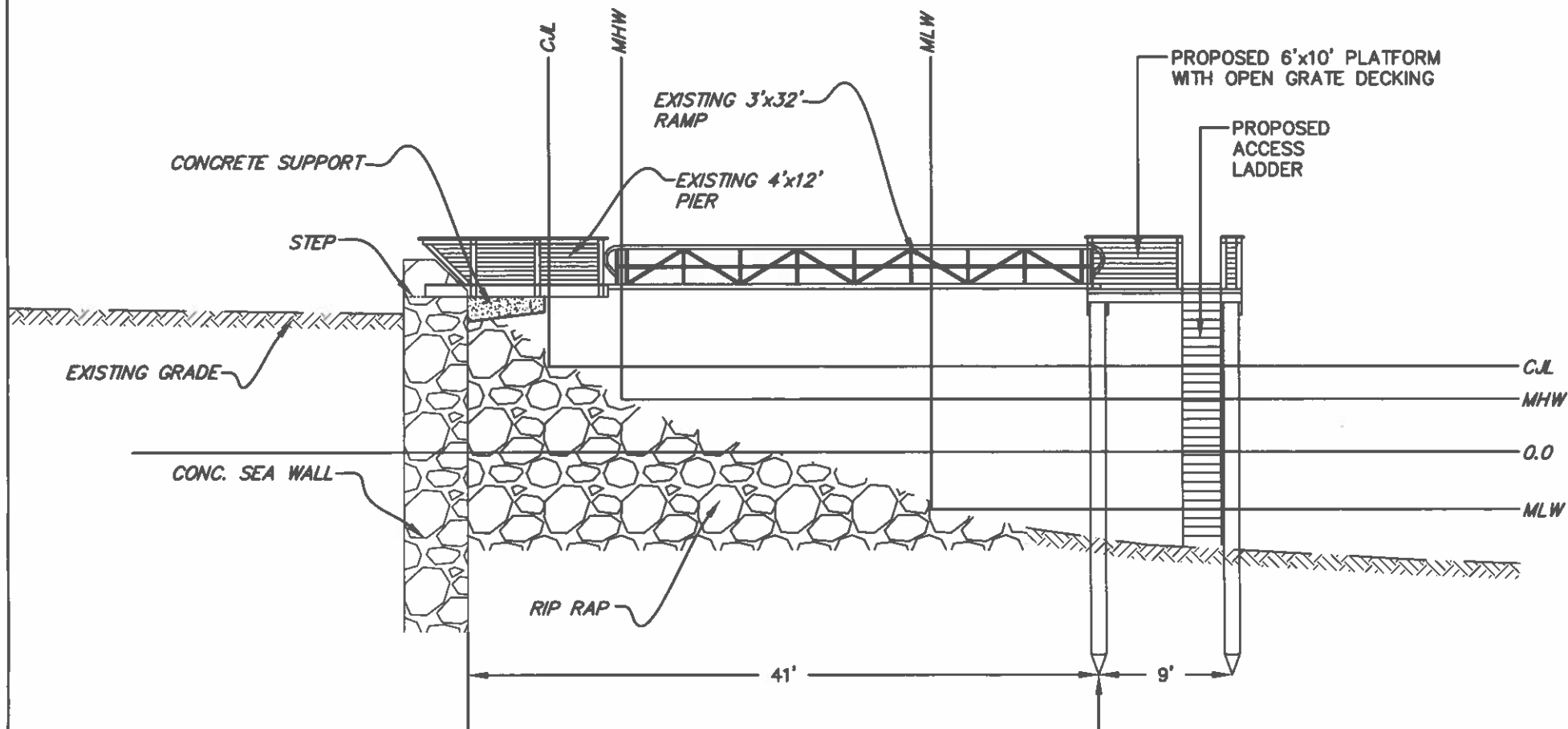
SCALE: 1" = 10 FT.      OCTOBER 17, 2023  
REVISED: AUGUST 1, 2024 - PILING DISTANCES ADDED

**SEYMOUR SURVEYING**

LAND SURVEYORS ~ ZONING & LAND USE CONSULTANTS  
199 WEST AVENUE ~ 203-655-3331 ~ DARIEN, CONN. ©

TO MY KNOWLEDGE AND BELIEF, THIS MAP IS SUBSTANTIALLY CORRECT AS NOTED HEREIN.

*Mark S. Lebow*  
 Mark S. Lebow      Conn. L.L.S. Reg. No. 15964



CROSS SECTION 'A' - 'A'

IMPROVEMENT LOCATION SURVEY  
 DEPICTING PROPOSED CROSS SECTION  
 76 SEA BEACH DRIVE  
 STAMFORD, CONNECTICUT  
 PREPARED FOR

**GEORGE J. NUNNO**  
**JOHN M. CIUFFO**

SCALE: 1" = 10 FT.      OCTOBER 17, 2023  
 REVISED: AUGUST 1, 2024 - PILING DISTANCES ADDED

**SEYMOUR SURVEYING**

LAND SURVEYORS ~ ZONING & LAND USE CONSULTANTS  
 199 WEST AVENUE ~ 203-655-3331 ~ DARIEN, CONN. ©

*Mark S. Lebow*  
 Mark S. Lebow      Certif. L.L.S. Reg. No. 10084

TO MY KNOWLEDGE AND BELIEF, THIS MAP IS  
 SUBSTANTIALLY CORRECT AS NOTED HEREON.



1 inch = 10 ft.



DATUM: N.A.V.D. 88  
 COASTAL JURISDICTION LINE - ELEV. 5.5  
 MEAN HIGH WATER - ELEV. 3.4  
 MEAN LOW WATER - ELEV. -3.7

PLANS ARE FOR PERMITTING  
 PURPOSES ONLY, NOT TO BE  
 USED FOR CONSTRUCTION



**Land Record Filing\***

**To:** DO NOT FILE

**Signature and**

**NOTE: Due to the electronic delivery of this license and the legal requirement to have a live signature on this document, the “Land Record Filing” as detailed in General Condition #1 will be sent to the Licensee via U.S. Mail for the Licensee to file with the city/town clerk.**

**Date:**

**Subject:** \_\_\_\_\_  
License # \_\_\_\_\_

If you have any questions pertaining to this matter, please contact the Land & Water Resources Division at 860-424-3019.

**Return to:**

~~Land & Water Resources Division~~  
~~State of Connecticut~~  
~~Department of Energy & Environmental Protection~~  
79 Elm Street  
Hartford, CT 06106-5127

\*The Licensee shall file the Land Record Filing on the land records of the municipality in which the subject property is located not later than thirty (30) days after license issuance pursuant to Connecticut General Statutes (CGS) Section 22a-363g. A copy of the Notice with a stamp or other such proof of filing with the municipality shall be submitted to the Commissioner no later than sixty (60) days after license issuance.





## LWRD Work Commencement Form

**To:** [DEEP.LWRDRegulatory@ct.gov](mailto:DEEP.LWRDRegulatory@ct.gov) or  
Regulatory Section  
Department of Energy and Environmental Protection  
Land & Water Resources Division  
79 Elm Street  
Hartford, CT 06106-5127

**Licensee Name:** \_\_\_\_\_

**Municipality in which the project is occurring:** \_\_\_\_\_

**DEEP License No(s):** \_\_\_\_\_

**CONTRACTOR(s):**

# 1 Name: \_\_\_\_\_  
Address: \_\_\_\_\_  
Telephone: \_\_\_\_\_  
E-mail: \_\_\_\_\_

# 2 Name: \_\_\_\_\_  
Address: \_\_\_\_\_  
Telephone: \_\_\_\_\_  
E-mail: \_\_\_\_\_

# 3 Name: \_\_\_\_\_  
Address: \_\_\_\_\_

Date Contractor(s) received a copy  
of the license and approved plans: \_\_\_\_\_

EXPECTED DATE OF COMMENCEMENT OF WORK: \_\_\_\_\_

EXPECTED DATE OF COMPLETION OF WORK: \_\_\_\_\_

LICENSEE: \_\_\_\_\_  
(Signature) (Date)



## Compliance Certification Form

The following certification must be signed by the licensee working in consultation with a Connecticut-licensed design professional and must be submitted to the address indicated at the end of this form within ninety (90) days of completion of the authorized work.

|                                                                                                                                                                                                                                                                                                                                                                                                                                                                                                                                                                                                                                                                                                                                                                                                                                                                                                                                                                   |                                                                                                                                           |
|-------------------------------------------------------------------------------------------------------------------------------------------------------------------------------------------------------------------------------------------------------------------------------------------------------------------------------------------------------------------------------------------------------------------------------------------------------------------------------------------------------------------------------------------------------------------------------------------------------------------------------------------------------------------------------------------------------------------------------------------------------------------------------------------------------------------------------------------------------------------------------------------------------------------------------------------------------------------|-------------------------------------------------------------------------------------------------------------------------------------------|
| 1. Licensee Name: _____<br>DEEP License Number(s): _____<br>Municipality in which project is occurring: _____                                                                                                                                                                                                                                                                                                                                                                                                                                                                                                                                                                                                                                                                                                                                                                                                                                                     |                                                                                                                                           |
| 2. <b>Check one:</b><br>(a) <input type="checkbox"/> "I certify that the final site conditions and / or structures are in general conformance with the approved site plans". Identify and describe any deviations and attach to this form.<br>(b) <input type="checkbox"/> "The final site conditions and / or structures are not in general conformance with the approved site plans. The enclosed "as-built" plans note the modifications".                                                                                                                                                                                                                                                                                                                                                                                                                                                                                                                     |                                                                                                                                           |
| 3. "I understand that any false statement in this certification is punishable as a criminal offence under section 53a-157b of the General Statutes and under any other applicable law."                                                                                                                                                                                                                                                                                                                                                                                                                                                                                                                                                                                                                                                                                                                                                                           |                                                                                                                                           |
| _____<br>Signature of Licensee                                                                                                                                                                                                                                                                                                                                                                                                                                                                                                                                                                                                                                                                                                                                                                                                                                                                                                                                    | _____<br>Date                                                                                                                             |
| _____<br>Name of Licensee (print or type)                                                                                                                                                                                                                                                                                                                                                                                                                                                                                                                                                                                                                                                                                                                                                                                                                                                                                                                         |                                                                                                                                           |
| _____<br>Signature of CT-Licensed Design Professional                                                                                                                                                                                                                                                                                                                                                                                                                                                                                                                                                                                                                                                                                                                                                                                                                                                                                                             | _____<br>Date                                                                                                                             |
| _____<br>Name of CT-Licensed Design Professional (print or type)                                                                                                                                                                                                                                                                                                                                                                                                                                                                                                                                                                                                                                                                                                                                                                                                                                                                                                  |                                                                                                                                           |
| _____<br>Professional License Number (if applicable)                                                                                                                                                                                                                                                                                                                                                                                                                                                                                                                                                                                                                                                                                                                                                                                                                                                                                                              | Affix Stamp Here <div style="border: 1px solid black; width: 150px; height: 100px; display: inline-block; vertical-align: middle;"></div> |
| <ul style="list-style-type: none"> <li>As-built plans shall include: elevations or tidal datums, as applicable, and structures, including any proposed elevation views and cross sections included in the approved license plans. Such as-built plans shall be the original ones and be signed and sealed by an engineer, surveyor or architect, as applicable, who is licensed in the State of Connecticut.</li> <li>The Licensee will be notified by staff of the Land and Water Resources Division (LWRD) if further compliance review is necessary. Lack of response by LWRD staff does not imply compliance.</li> </ul> <p>Submit this completed form to :<br/> <a href="mailto:DEEP.LWRDRegulatory@ct.gov">DEEP.LWRDRegulatory@ct.gov</a> or<br/> <b>Regulatory Section</b><br/> <b>Department of Energy and Environmental Protection</b><br/> <b>Land &amp; Water Resources Division</b><br/> <b>79 Elm Street</b><br/> <b>Hartford, CT 06106-5127</b></p> |                                                                                                                                           |