



STATE OF CONNECTICUT

CONNECTICUT SITING COUNCIL

Ten Franklin Square, New Britain, CT 06051

Phone: (860) 827-2935 Fax: (860) 827-2950

E-Mail: siting.council@ct.gov

www.ct.gov/csc

VIA ELECTRONIC MAIL

August 13, 2019

Julia Coughlin
Empire Telecom USA, LLC
16 Esquire Road
Billerica, MA 01862

RE: **EM-AT&T-057-190701** – AT&T Mobility notice of intent to modify an existing telecommunications facility located at 1 Butternut Hollow Road, Greenwich, Connecticut.

Dear Ms. Coughlin:

The Connecticut Siting Council (Council) is in receipt of your correspondence of August 7, 2019 submitted in response to the Council's July 5, 2019 notification of an incomplete request for exempt modification with regard to the above-referenced matter.

The submission renders the request for exempt modification complete and the Council will process the request in accordance with the Federal Communications Commission 60-day timeframe.

Thank you for your attention and cooperation.

Sincerely,

Melanie A. Bachman
Executive Director

MAB/IN/emr



Robidoux, Evan

From: Julia Coughlin <jcoughlin@empiretelecomm.com>
Sent: Wednesday, August 07, 2019 10:44 AM
To: CSC-DL Siting Council
Cc: Lauren Groppi; Christopher Dwight; Carolyn Seeley
Subject: Additional Documents for EM-AT&T-057-190716 (AT&T Application for Exempt Modification @ 1 Butternut Hollow Road, Greenwich) CT2129
Attachments: CT2129 - 1 Butternut Hollow Road; Greenwich CT - AT&T Notice of Exempt Mod. Ltr. 080719.pdf

Good afternoon,

Thank you very much for the extension to provide the required documents for this application for Exempt Modification for AT&T at 1 Butternut Hollow Road in Greenwich, CT. Attached is a PDF file of the revised documents and the council's extension letter.

One copy of this letter and revised documents was dispatched to you by USPS today and should reach you no later than Monday; Tracking Number: 9405503699300074609702.

Please do not hesitate to contact me with any questions or concerns. Thank you for your attention to this matter.

Julia Coughlin
Site Acquisition Specialist

EMPIRE
telecom

16 Esquire Road | Billerica, MA 01862

Mobile: 978-284-3376

Email: jcoughlin@empiretelecomm.com

Website: www.EmpireTelecomm.com

Disclaimer: This E-Mail is intended only for the use of the individual or entity to which it is addressed, and may contain information that is privileged, confidential and exempt from disclosure under applicable law. If you have received this communication in error, please do not distribute it and delete the original message. Unless expressly stated in this e-mail, nothing in this message or any attachment should be construed as a digital or electronic signature.

From: Robidoux, Evan <Evan.Robidoux@ct.gov>
Sent: Monday, August 5, 2019 8:38 AM
To: Julia Coughlin <jcoughlin@empiretelecomm.com>
Cc: CSC-DL Siting Council <Siting.Council@ct.gov>
Subject: Council Extension Letter for EM-AT&T-057-190716 (1 Butternut Hollow Road, Greenwich) CT2129

Please see the attached correspondence.

Evan Robidoux
Clerk Typist



August 7, 2019

Melanie A. Bachman
Executive Director
Connecticut Siting Council
10 Franklin Square
New Britain, CT 06051

Regarding: **EM-AT&T-057-190701** – AT&T Mobility notice of intent to modify an existing telecommunications facility located at 1 Butternut Hill Road, Greenwich, CT.

Dear Ms. Bachman:

AT&T previously applied to the Connecticut Siting Council to modify its existing telecommunications facility located at 1 Butternut Hollow Road in Greenwich, CT 06830. However, upon the Council's review, the application was marked as incomplete due to the Structural Analysis not providing the necessary Sprint Modifications or the correct International Building Codes, and the Construction Drawings provided were also not up to code (per the letter attached here). I have since requested the necessary changes and received final documents back for the Council's review.

The existing tower is a 180-foot self-support tower at the above-referenced address, latitude 41.0969639°, longitude -73.6388600°. Said self-support tower is owned by the Connecticut State Police (Department of Emergency Services and Public Protection (DESPP)).

AT&T desires to modify its existing telecommunications facility by swapping (3) remote-radio heads ("RRHs"). The centerline height of the existing antennas and ancillary tower-mounted equipment is and will remain at 148 feet.

Please review the attached revised documents at your earliest convenience. Thank you kindly for your attention to this matter.

Sincerely,

Julia Coughlin

Julia Coughlin
Site Acquisition Specialist
Empire Telecom USA, LLC
jcoughlin@empiretelecomm.com

Enclosures:

Exhibit 1 – Construction Drawings
Exhibit 2 – Structural Analysis



STATE OF CONNECTICUT

CONNECTICUT SITING COUNCIL

Ten Franklin Square, New Britain, CT 06051

Phone: (860) 827-2935 Fax: (860) 827-2950

E-Mail: siting.council@ct.gov

www.ct.gov/csc

August 5, 2019

Julia Coughlin
Site Acquisition Specialist
Empire Telecom USA, LLC
16 Esquire Road
Billerica, MA 01862

RE: **EM-AT&T-057-190701** – AT&T Mobility notice of intent to modify an existing telecommunications facility located at 1 Butternut Hollow Road, Greenwich, Connecticut.

Dear Ms. Coughlin:

The Connecticut Siting Council (Council) is in receipt of your email of August 1, 2019 requesting an extension of time to submit documentation required to make the above-referenced filing complete in response to the Council's incomplete notice dated July 5, 2019.

The Council hereby grants a one-month extension of time to submit the required documentation by September 5, 2019.

Thank you for your attention to this matter.

Sincerely,

Melanie A. Bachman
Executive Director

MAB/IN/emr

Enclosures: Email from Julia Coughlin of August 1, 2019
Incomplete filing letter dated July 5, 2019



Robidoux, Evan

From: Julia Coughlin <jcoughlin@empiretelecomm.com>
Sent: Thursday, August 01, 2019 10:09 AM
To: Robidoux, Evan
Cc: CSC-DL Siting Council
Subject: Extension Request for EM-AT&T-057-190701-ButternutHollowRd-Greenwich CT2129

Good Morning to Whom it May Concern,

I have requested the revisions to the CDs and Structural Analysis as instructed per the Council's Incomplete Notice dated July 5th. Unfortunately I am still pending the revised Structural and it should be in any day now, but it doesn't look like I will have it by the date of August 5th. Could we please request an extension for this Notice so that I may retrieve the final revised documents required for Council's Approval?

Thank you very much,

Julia Coughlin
Site Acquisition Specialist

EMPIRE
telecom

16 Esquire Road | Billerica, MA 01862

Mobile: 978-284-3376

Email: jcoughlin@empiretelecomm.com

Website: www.EmpireTelecomm.com

From: Robidoux, Evan <Evan.Robidoux@ct.gov>
Sent: Friday, July 5, 2019 4:15 PM
To: Julia Coughlin <jcoughlin@empiretelecomm.com>
Cc: CSC-DL Siting Council <Siting.Council@ct.gov>
Subject: Council Incomplete Letter for EM-AT&T-057-190701-ButternutHollowRd-Greenwich CT2129

Please see the attached correspondence.

Evan Robidoux
Clerk Typist
Connecticut Siting Council
10 Franklin Square
New Britain, CT 06051

Disclaimer: This email is intended only for the use of the individual or entity to which it is addressed, and may contain information that is privileged, confidential and exempt from disclosure under applicable law. If you received this communication in error, please do not distribute it and notify us immediately by email (administrator@qualtekservices.com) or via telephone (484.804.4500) and delete the original message. Unless expressly stated in this email, nothing in this message or any attachment should be construed as a digital or electronic signature.



STATE OF CONNECTICUT

CONNECTICUT SITING COUNCIL

Ten Franklin Square, New Britain, CT 06051

Phone: (860) 827-2935 Fax: (860) 827-2950

E-Mail: siting.council@ct.gov

www.ct.gov/csc

July 5, 2019

Julia Coughlin
Empire Telecom USA, LLC
16 Esquire Road
Billerica, MA 01862

RE: **EM-AT&T-057-190701** – AT&T Mobility notice of intent to modify an existing telecommunications facility located at 1 Butternut Hollow Road, Greenwich, Connecticut.

Dear Ms. Coughlin:

The Connecticut Siting Council (Council) received a notice of intent to modify the above-referenced facility on July 1, 2019.

According to Section 16-50j-71 of the Regulations of Connecticut State Agencies, "...any modification, as defined in Section 16-50j-2a of the Regulations of Connecticut State Agencies, to an existing tower site, except as specified in Sections 16-50j-72 and 16-50j-88 of the Regulations of Connecticut State Agencies, may have a substantial adverse environmental effect."

Staff has reviewed this exempt modification request for completeness and has identified a deficiency in the Detailed Structural Analysis and Modification Report (SA) dated March 27, 2018 and Construction Drawings (CD) last revised March 14, 2019, provided with the request. The above-referenced documents cite the 2012 International Building Code (IBC) and the 2016 Connecticut State Building Code (CSBC); however, the State of Connecticut has adopted the 2015 IBC as amended within the 2018 CSBC effective October 1, 2018.

Also, the Council acknowledged a Sprint exempt modification request in November of 2018 which included the addition of a SKU stiff-arm kit to support the existing mount. This mount addition is not indicated in the above referenced SA. Please see the filing for EM-SPRINT-057-181107, which can be accessed via the following URL:

https://www.ct.gov/csc/lib/csc/ems/greenwich/butternuthollow/sprint/em-sprint-057-181107_filing_butternuthollowrd.pdf

Therefore, the exempt modification request is incomplete at this time. The Council recommends that Empire Telecom provide an updated SA and CD that comport with the current 2018 CSBC, and a SA that includes all of Sprint's recently approved equipment as referenced above, on or before August 5, 2019. If additional time is needed to gather the requested information, please submit a written request for an extension of time prior to August 5, 2019. **Please provide an electronic version and one hard copy of the response for the incomplete request to be rendered complete and processed.**

This notice of incompleteness shall have the effect of tolling the Federal Communications Commission (FCC) 60-day timeframe in accordance with Paragraph 217 of the FCC Wireless Infrastructure Report and Order issued on October 21, 2014 (FCC 14-153).

Thank you for your attention to this matter. Should you have any questions, please feel free to contact me at 860-827-2951.

Sincerely,

Melanie Bachman/cw

Melanie Bachman
Executive Director

MAB/IN/emr

c: The Honorable Peter J. Tesei, First Selectman, Town of Greenwich
Katie DeLuca, Director of Planning & Zoning, Town of Greenwich

PROJECT INFORMATION

SCOPE OF WORK: • AT&T RRUs: (1) NEW RRUs PER SECTOR WITH (3) SECTORS, FOR A TOTAL OF (3) NEW RRUs; (1) EXISTING RRU PER SECTOR TO BE REUSED, FOR A TOTAL OF (3) EXISTING RRUs. (1) EXISTING RRU PER SECTOR TO BE REPLACED
 • REMOVE EXISTING DUL. INSTALL 5216 AND XMU

SITE ADDRESS: 1 BUTTERNUT HOLLOW ROAD
 GREENWICH, CT 06830

LATITUDE: 41.0969639 41° 5' 49.07004"N
 LONGITUDE: -73.63886 73° 38' 19.896"W

USID: 24056

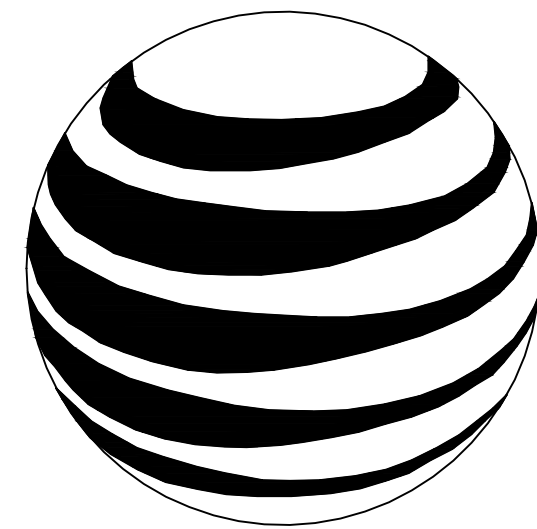
TOWER OWNER: TBD

TYPE OF SITE: LATTICE TOWER/INDOOR EQUIPMENT

MONOPOLE HEIGHT: 180'-0"±

RAD CENTER: 148'-0"±

CURRENT USE: UNMANNED WIRELESS TELECOMMUNICATIONS FACILITY
 PROPOSED USE: UNMANNED WIRELESS TELECOMMUNICATIONS FACILITY



at&t
MOBILITY

FA CODE: 10035039
SITE NUMBER: CT2129
SITE NAME: GREENWICH EAST
PROJECT: BWE

PROJECT TEAM

CLIENT REPRESENTATIVE

COMPANY: EMPIRE TELECOM
 ADDRESS: 16 ESQUIRE ROAD
 BILLERICA, MA 01821
 CONTACT: DAVID COOPER
 PHONE: 617-639-4908
 EMAIL: dcooper@empiretelecomm.com

SITE ACQUISITION:

COMPANY: EMPIRE TELECOM
 ADDRESS: 16 ESQUIRE ROAD
 BILLERICA, MA 01821
 CONTACT: DAVID COOPER
 PHONE: 617-639-4908
 EMAIL: dcooper@empiretelecomm.com

ZONING:

COMPANY: EMPIRE TELECOM
 ADDRESS: 16 ESQUIRE ROAD
 BILLERICA, MA 01821
 CONTACT: DAVID COOPER
 PHONE: 617-639-4908
 EMAIL: dcooper@empiretelecomm.com

ENGINEERING:

COMPANY: COM-EX CONSULTANTS, LLC
 ADDRESS: 115 ROUTE 46
 SUITE E39
 MOUNTAIN LAKES, NJ 07046
 CONTACT: NICHOLAS D. BARILE, P.E.
 PHONE: 862-209-4300
 EMAIL: nbarile@comexconsultants.com

RF ENGINEER:

COMPANY: AT&T MOBILITY – NEW ENGLAND
 ADDRESS: 550 COCHITUATE ROAD
 SUITE 550 13 & 14
 FRAMINGHAM, MA 01701
 CONTACT: CAMERON SYME
 PHONE: 508-596-7146
 EMAIL: cs6970@att.com

CONSTRUCTION MANAGEMENT:

COMPANY: EMPIRE TELECOM
 ADDRESS: 16 ESQUIRE ROAD
 BILLERICA, MA 01821
 CONTACT: GRZEGORZ "GREG" DORMAN
 PHONE: 484-683-1750
 EMAIL: gdorman@empiretelecomm.com

DRAWING INDEX

REV.

T-1	TITLE SHEET	2
GN-1	GROUNDING & GENERAL NOTES	2
A-1	COMPOUND LAYOUTS	2
A-2	EQUIPMENT LAYOUTS	2
A-3	ANTENNA LAYOUTS & ELEVATIONS	2
A-4	DETAILS	2
G-1	GROUNDING DETAILS	2

VICINITY MAP

1. HEAD WEST ON COCHITUATE RD TOWARD BURR ST (0.3 MI). 2. TURN LEFT ONTO SHOPPERS WORLD DR (230 FT). 3. MAKE A U-TURN AT RING RD (138 FT). 4. TAKE THE 1ST RIGHT ONTO COCHITUATE RD (0.3 MI). 5. TAKE THE RAMP TO I-90 E/MASSPIKE W/SPRINGFIELD/BOSTON (0.6 MI). 6. KEEP LEFT AT THE FORK, FOLLOW SIGNS FOR INTERSTATE 90 AND MERGE ONTO I-90 W/MASSACHUSETTS TURNPIKE (0.5 MI). 7. FOLLOW I-90 W/MASSACHUSETTS TURNPIKE AND I-84 TO US-6 W/GRAND ARMY OF THE REPUBLIC HWY IN FARMINGTON. TAKE EXIT 38 FROM I-84 (89.9 MI). 8. MERGE ONTO I-90 W/MASSACHUSETTS TURNPIKE (37.8 MI). 9. TAKE EXIT 9 TO MERGE ONTO I-84 TOWARD US-20/HARTFORD/NEW YORK CITY (51.9 MI). 10. TAKE EXIT 38 FOR US-6 W TOWARD BRISTOL (0.3 MI). 11. FOLLOW US-6 W/GRAND ARMY OF THE REPUBLIC HWY TO YOUR DESTINATION IN PLYMOUTH (16.1 MI). 12. CONTINUE STRAIGHT ONTO US-6 W/GRAND ARMY OF THE REPUBLIC HWY (14.6 MI). 13. TURN RIGHT ONTO NORTH ST (1.4 MI). 14. TURN LEFT (0.1 MI). 15. FOLLOW ACCESS ROAD TO SITE



GENERAL NOTES

- THIS DOCUMENT IS THE CREATION, DESIGN, PROPERTY, AND COPYRIGHTED WORK OF AT&T. ANY DUPLICATION OR USE WITHOUT EXPRESS WRITTEN CONSENT IS STRICTLY PROHIBITED. DUPLICATION AND USE BY GOVERNMENT AGENCIES FOR THE PURPOSES OF CONDUCTING THEIR LAWFULLY AUTHORIZED REGULATORY AND ADMINISTRATIVE FUNCTIONS IS SPECIFICALLY ALLOWED.
- THE FACILITY IS AN UNMANNED PRIVATE AND SECURED EQUIPMENT INSTALLATION. IT IS ONLY ACCESSED BY TRAINED TECHNICIANS FOR PERIODIC ROUTINE MAINTENANCE AND THEREFORE DOES NOT REQUIRE ANY WATER OR SANITARY SEWER SERVICE. THE FACILITY IS NOT GOVERNED BY REGULATIONS REQUIRING PUBLIC ACCESS PER ADA REQUIREMENTS.
- CONTRACTOR SHALL VERIFY ALL PLANS AND EXISTING DIMENSIONS AND CONDITIONS ON THE JOB SITE AND SHALL IMMEDIATELY NOTIFY THE AT&T REPRESENTATIVE IN WRITING OF DISCREPANCIES BEFORE PROCEEDING WITH THE WORK OR BE RESPONSIBLE FOR SAME.

APPROVALS

THE FOLLOWING PARTIES HEREBY APPROVE AND ACCEPT THESE DOCUMENTS AND AUTHORIZE THE SUBCONTRACTOR TO PROCEED WITH THE CONSTRUCTION DESCRIBED HEREIN, ALL DOCUMENTS ARE SUBJECT TO REVIEW BY THE LOCAL BUILDING DEPARTMENT AND MAY IMPOSE CHANGES OR SITE MODIFICATIONS.

DISCIPLINE:	NAME:	DATE:
SITE ACQUISITION:		
CONSTRUCTION MANAGER:		
AT&T PROJECT MANAGER:		



CONNECTICUT LAW REQUIRES TWO WORKING DAYS NOTICE PRIOR TO ANY EARTH MOVING ACTIVITIES BY CALLING 800-922-4455 OR DIAL 811

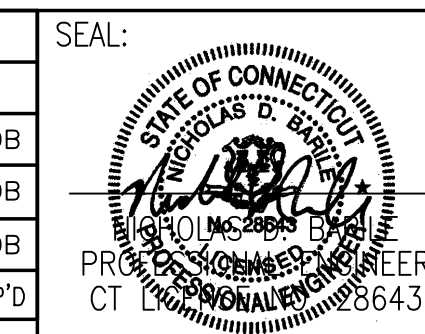


SITE NUMBER: CT2129
SITE NAME: WESTON DT
 1 BUTTERNUT HOLLOW ROAD
 GREENWICH, CT 06830
 FAIRFIELD COUNTY



NO.	DATE	REVISIONS	BY	CHK	APP'D
2	03/14/19	REVISED PER COMMENTS	KCD	NDB	NDB
1	02/21/19	REVISED FOR BWE	KCD	NDB	NDB
0	03/10/17	ISSUED AS FINAL	KCD	NDB	NDB

SCALE: AS SHOWN DESIGNED BY: KCD DRAWN BY: KCD



AT&T		
DRAWING TITLE: TITLE SHEET		
JOB NUMBER 15011-EMP	DRAWING NUMBER T-1	REV 1

GROUNDING NOTES:

1. THE SUBCONTRACTOR SHALL REVIEW AND INSPECT THE EXISTING FACILITY GROUNDING SYSTEM AND LIGHTNING PROTECTION SYSTEM (AS DESIGNED AND INSTALLED) FOR STRICT COMPLIANCE WITH THE NEC (AS ADOPTED BY THE AHJ), THE SITE-SPECIFIC (UL, LPI, OR NFPA) LIGHTING PROTECTION CODE, AND GENERAL COMPLIANCE WITH TELCORDIA AND TIA GROUNDING STANDARDS. THE SUBCONTRACTOR SHALL REPORT ANY VIOLATIONS OR ADVERSE FINDINGS TO THE CONTRACTOR FOR RESOLUTION.
2. ALL GROUND ELECTRODE SYSTEMS (INCLUDING TELECOMMUNICATION, RADIO, LIGHTNING PROTECTION, AND AC POWER GES'S) SHALL BE BONDED TOGETHER, AT OR BELOW GRADE, BY TWO OR MORE COPPER BONDING CONDUCTORS IN ACCORDANCE WITH THE NEC.
3. THE SUBCONTRACTOR SHALL PERFORM IEEE FALL-OF-POTENTIAL RESISTANCE TO EARTH TESTING (PER IEEE 1100 AND 81) FOR NEW GROUND ELECTRODE SYSTEMS. THE SUBCONTRACTOR SHALL FURNISH AND INSTALL SUPPLEMENTAL GROUND ELECTRODES AS NEEDED TO ACHIEVE A TEST RESULT OF 5 OHMS OR LESS. TESTS SHALL BE PERFORMED IN ACCORDANCE WITH 25471-000-3PS-EG00-0001, DESIGN & TESTING OF FACILITY GROUNDING FOR CELL SITES.
4. METAL RACEWAY SHALL NOT BE USED AS THE NEC REQUIRED EQUIPMENT GROUND CONDUCTOR. STRANDED COPPER CONDUCTORS WITH GREEN INSULATION, SIZED IN ACCORDANCE WITH THE NEC, SHALL BE FURNISHED AND INSTALLED WITH THE POWER CIRCUITS TO BTS EQUIPMENT.
5. EACH BTS CABINET FRAME SHALL BE DIRECTLY CONNECTED TO THE MASTER GROUND BAR WITH GREEN INSULATED SUPPLEMENTAL EQUIPMENT GROUND WIRES, 6 AWG STRANDED COPPER OR LARGER FOR INDOOR BTS; 2 AWG STRANDED COPPER FOR OUTDOOR BTS.
6. EXOTHERMIC WELDS SHALL BE USED FOR ALL GROUNDING CONNECTIONS BELOW GRADE.
7. APPROVED ANTIOXIDANT COATINGS (I.E., CONDUCTIVE GEL OR PASTE) SHALL BE USED ON ALL COMPRESSION AND BOLTED GROUND CONNECTIONS.
8. ICE BRIDGE BONDING CONDUCTORS SHALL BE EXOTHERMICALLY BONDED OR BOLTED WITH STAINLESS STEEL HARDWARE TO THE BRIDGE AND THE TOWER GROUND BAR.
9. ALUMINUM CONDUCTOR OR COPPER CLAD STEEL CONDUCTOR SHALL NOT BE USED FOR GROUNDING CONNECTIONS.
10. MISCELLANEOUS ELECTRICAL AND NON-ELECTRICAL METAL BOXES, FRAMES AND SUPPORTS SHALL BE BONDED TO THE GROUND RING, IN ACCORDANCE WITH THE NEC.
11. METAL CONDUIT AND TRAY SHALL BE GROUNDED AND MADE ELECTRICALLY CONTINUOUS WITH LISTED BONDING FITTINGS OR BY BONDING ACROSS THE DISCONTINUITY WITH 6 AWG COPPER WIRE UL APPROVED GROUNDING TYPE CONDUIT CLAMPS.
12. GROUND CONDUCTORS USED IN THE FACILITY GROUND AND LIGHTNING PROTECTION SYSTEMS SHALL NOT BE ROUTED THROUGH METALLIC OBJECTS THAT FORM A RING AROUND THE CONDUCTOR, SUCH AS METALLIC CONDUITS, METAL SUPPORT CLIPS OR SLEEVES THROUGH WALLS OR FLOORS. WHEN IT IS REQUIRED TO BE HOUSED IN CONDUIT TO MEET CODE REQUIREMENTS OR LOCAL CONDITIONS, NON-METALLIC MATERIAL SUCH AS PVC PLASTIC CONDUIT SHALL BE USED. WHERE USE OF METAL CONDUIT IS UNAVOIDABLE (E.G., NON-METALLIC CONDUIT PROHIBITED BY LOCAL CODE) THE GROUND CONDUCTOR SHALL BE BONDED TO EACH END OF THE METAL CONDUIT.
13. ALL TOWER GROUNDING SYSTEMS SHALL COMPLY WITH THE REQUIREMENTS OF ANSI/TIA 222. FOR TOWERS BEING BUILT TO REV-G OF THE STANDARD, THE WIRE SIZE OF THE BURIED GROUND RING AND CONNECTIONS BETWEEN THE TOWER AND THE BURIED GROUND RING SHALL BE CHANGED FROM 2 AWG TO 2/0 AWG. IN ADDITION, THE MINIMUM LENGTH OF THE GROUND RODS SHALL BE INCREASED FROM EIGHT FEET (8') TO TEN FEET (10').
14. ALL NEW STRUCTURES WITH A FOUNDATION AND/OR FOOTING HAVING 20 FT. OR MORE 1/2" OR GREATER ELECTRICALLY CONDUCTIVE REINFORCING STEEL MUST HAVE IT BONDED TO THE GROUND RING USING AN EXOTHERMIC WELD CONNECTION USING #2 AWG SOLID TINNED COPPER GROUND WIRE, PER NEC 250.50.

GENERAL NOTES:

1. FOR THE PURPOSE OF CONSTRUCTION DRAWING, THE FOLLOWING DEFINITIONS SHALL APPLY:
 CONTRACTOR – EMPIRE TELECOM
 SUBCONTRACTOR – GENERAL CONTRACTOR (CONSTRUCTION)
 OWNER – AT&T MOBILITY
 OEM – ORIGINAL EQUIPMENT MANUFACTURER
2. PRIOR TO THE SUBMISSION OF BIDS, THE BIDDING SUBCONTRACTOR SHALL VISIT THE CELL SITE TO FAMILIARIZE WITH THE EXISTING CONDITIONS AND TO CONFIRM THAT THE WORK CAN BE ACCOMPLISHED AS SHOWN ON THE CONSTRUCTION DRAWINGS. ANY DISCREPANCY FOUND SHALL BE BROUGHT TO THE ATTENTION OF CONTRACTOR.
3. ALL MATERIALS FURNISHED AND INSTALLED SHALL BE IN STRICT ACCORDANCE WITH ALL APPLICABLE CODES, REGULATIONS, AND ORDINANCES. SUBCONTRACTOR SHALL ISSUE ALL APPROPRIATE NOTICES AND COMPLY WITH ALL LAWS, ORDINANCES, RULES, REGULATIONS, AND LAWFUL ORDERS OF ANY PUBLIC AUTHORITY REGARDING THE PERFORMANCE OF THE WORK. ALL WORK CARRIED OUT SHALL COMPLY WITH ALL APPLICABLE MUNICIPAL AND UTILITY COMPANY SPECIFICATIONS AND LOCAL JURISDICTIONAL CODES, ORDINANCES AND APPLICABLE REGULATIONS.
4. DRAWINGS PROVIDED HERE ARE NOT TO BE SCALED AND ARE INTENDED TO SHOW OUTLINE ONLY.
5. UNLESS NOTED OTHERWISE, THE WORK SHALL INCLUDE FURNISHING MATERIALS, EQUIPMENT, APPURTENANCES, AND LABOR NECESSARY TO COMPLETE ALL INSTALLATIONS AS INDICATED ON THE DRAWINGS.
6. THE SUBCONTRACTOR SHALL INSTALL ALL EQUIPMENT AND MATERIALS IN ACCORDANCE WITH MANUFACTURER'S RECOMMENDATIONS UNLESS SPECIFICALLY STATED OTHERWISE.
7. IF THE SPECIFIED EQUIPMENT CANNOT BE INSTALLED AS SHOWN ON THESE DRAWINGS, THE SUBCONTRACTOR SHALL PROPOSE AN ALTERNATIVE INSTALLATION SPACE FOR APPROVAL BY THE CONTRACTOR.
8. SUBCONTRACTOR SHALL DETERMINE ACTUAL ROUTING OF CONDUIT, POWER AND T1 CABLES, GROUNDING CABLES AS SHOWN ON THE POWER, GROUNDING AND TELCO PLAN DRAWING. SUBCONTRACTOR SHALL UTILIZE EXISTING TRAYS AND/OR SHALL ADD NEW TRAYS AS NECESSARY. SUBCONTRACTOR SHALL CONFIRM THE ACTUAL ROUTING WITH THE CONTRACTOR. ROUTING OF TRENCHING SHALL BE APPROVED BY CONTRACTOR
9. THE SUBCONTRACTOR SHALL PROTECT EXISTING IMPROVEMENTS, PAVEMENTS, CURBS, LANDSCAPING AND STRUCTURES. ANY DAMAGED PART SHALL BE REPAIRED AT SUBCONTRACTOR'S EXPENSE TO THE SATISFACTION OF OWNER.
10. SUBCONTRACTOR SHALL LEGALLY AND PROPERLY DISPOSE OFF ALL SCRAP MATERIALS SUCH AS COAXIAL CABLES AND OTHER ITEMS REMOVED FROM THE EXISTING FACILITY. ANTENNAS REMOVED SHALL BE RETURNED TO THE OWNER'S DESIGNATED LOCATION.
11. SUBCONTRACTOR SHALL LEAVE PREMISES IN CLEAN CONDITION.
12. ALL CONCRETE REPAIR WORK SHALL BE DONE IN ACCORDANCE WITH AMERICAN CONCRETE INSTITUTE (ACI) 301.
13. ANY NEW CONCRETE NEEDED FOR THE CONSTRUCTION SHALL HAVE 4000 PSI STRENGTH AT 28 DAYS UNLESS OTHERWISE SPECIFIED. ALL CONCRETING WORK SHALL BE DONE IN ACCORDANCE WITH ACI 318 CODE REQUIREMENTS.
14. ALL STRUCTURAL STEEL WORK SHALL BE DETAILED, FABRICATED AND ERECTED IN ACCORDANCE WITH AISC SPECIFICATIONS. ALL STRUCTURAL STEEL SHALL BE ASTM A36 (Fy=36 ksi). ALL STEEL EXPOSED TO WEATHER SHALL BE HOT DIPPED GALVANIZED. TOUCH UP ALL SCRATCHES AND OTHER MARKS IN THE FIELD AFTER STEEL IS ERECTED USING A COMPATIBLE ZINC RICH PAINT.
15. CONSTRUCTION SHALL COMPLY WITH SPECIFICATION 25741-000-3APS-A00Z-00002, "GENERAL CONSTRUCTION SERVICES FOR CONSTRUCTION OF AT&T MOBILITY SITES."
16. SUBCONTRACTOR SHALL VERIFY ALL EXISTING DIMENSIONS AND CONDITIONS PRIOR TO COMMENCING ANY WORK. ALL DIMENSIONS OF EXISTING CONSTRUCTION SHOWN ON THE DRAWINGS MUST BE VERIFIED. SUBCONTRACTOR SHALL NOTIFY THE CONTRACTOR OF ANY DISCREPANCIES PRIOR TO ORDERING MATERIAL OR PROCEEDING WITH CONSTRUCTION.
17. THE EXISTING CELL SITE IS IN FULL COMMERCIAL OPERATION. ANY CONSTRUCTION WORK BY SUBCONTRACTOR SHALL NOT DISRUPT THE EXISTING NORMAL OPERATION. ANY WORK ON EXISTING EQUIPMENT MUST BE COORDINATED WITH CONTRACTOR. ALSO, WORK MAY NEED TO BE SCHEDULED FOR AN APPROPRIATE MAINTENANCE WINDOW USUALLY IN LOW TRAFFIC PERIODS AFTER MIDNIGHT.
18. SINCE THE CELL SITE MAY BE ACTIVE, ALL SAFETY PRECAUTIONS MUST BE TAKEN WHEN WORKING AROUND HIGH LEVELS OF ELECTROMAGNETIC RADIATION. EQUIPMENT SHOULD BE SHUTDOWN PRIOR TO PERFORMING ANY WORK THAT COULD EXPOSE THE WORKERS TO DANGER. PERSONAL RF EXPOSURE MONITORS ARE REQUIRED TO BE WORN TO ALERT OF ANY DANGEROUS EXPOSURE LEVELS.

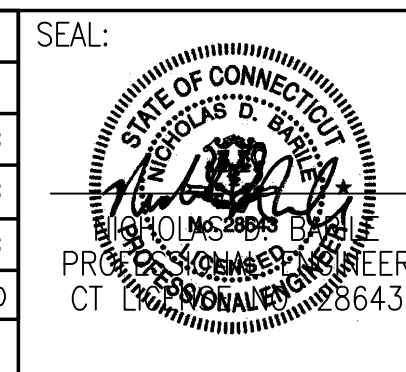
19. SUBCONTRACTOR'S WORK SHALL COMPLY WITH ALL APPLICABLE NATIONAL, STATE, AND LOCAL CODES AS ADOPTED BY THE LOCAL AUTHORITY HAVING JURISDICTION (AHJ) FOR THE LOCATION. THE EDITION OF THE AHJ ADOPTED CODES AND STANDARDS IN EFFECT ON THE DATE OF CONTRACT AWARD SHALL GOVERN THE DESIGN.
 - CT BUILDING CODE 2018 WITH LOCAL & COUNTY AMENDMENTS
 - NATIONAL ELECTRICAL CODE: NEC 2017 WITH LOCAL & COUNTY AMENDMENTS
 - 2018 CONNECTICUT STATE FIRE SAFETY CODE:
20. SUBCONTRACTOR'S WORK SHALL COMPLY WITH THE LATEST EDITION OF THE FOLLOWING STANDARDS:
 - AMERICAN CONCRETE INSTITUTE (ACI) 318, BUILDING CODE REQUIREMENTS FOR STRUCTURAL CONCRETE
 - AMERICAN INSTITUTE OF STEEL CONSTRUCTION (AISC), MANUAL OF STEEL CONSTRUCTION, THIRTEENTH EDITION
 - AMERICAN SOCIETY OF TESTING OF MATERIALS, ASTM
 - TELECOMMUNICATIONS INDUSTRY ASSOCIATION (ANSI/TIA-222-G-1), STRUCTURAL STANDARDS FOR STEEL ANTENNA TOWER AND ANTENNA SUPPORTING STRUCTURES:
 - TIA 607, COMMERCIAL BUILDING GROUNDING AND BONDING REQUIREMENTS FOR TELECOMMUNICATIONS
 - OCCUPATIONAL SAFETY AND HEALTH ADMINISTRATION, OSHA
 - INSTITUTE FOR ELECTRICAL AND ELECTRONICS ENGINEERS (IEEE) 81, GUIDE FOR MEASURING EARTH RESISTIVELY, GROUND IMPEDANCE, AND EARTH SURFACE POTENTIALS OF A GROUND SYSTEM IEEE 1100 (1999) RECOMMENDED PRACTICE FOR POWERING AND GROUNDING OF ELECTRONIC EQUIPMENT
 - TELCORDIA GR-1503, COAXIAL CABLE CONNECTIONS
21. FOR ANY CONFLICTS BETWEEN SECTIONS OF LISTED CODES AND STANDARDS REGARDING MATERIAL, METHODS OF CONSTRUCTION, OR OTHER REQUIREMENTS, THE MOST RESTRICTIVE REQUIREMENT SHALL GOVERN. WHERE THERE IS CONFLICT BETWEEN A GENERAL REQUIREMENT AND A SPECIFIC REQUIREMENT, THE SPECIFIC REQUIREMENT SHALL GOVERN.



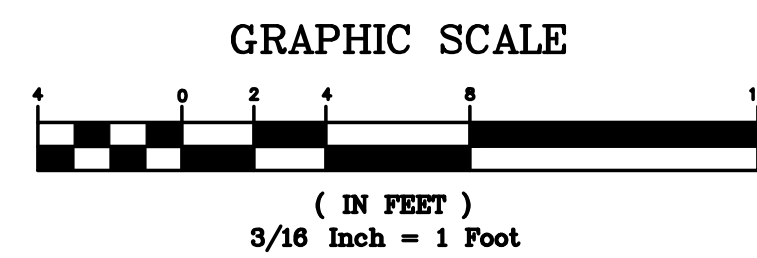
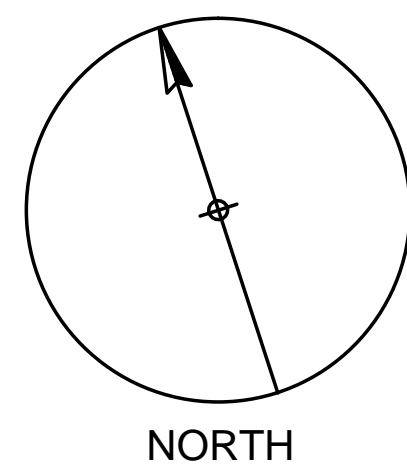
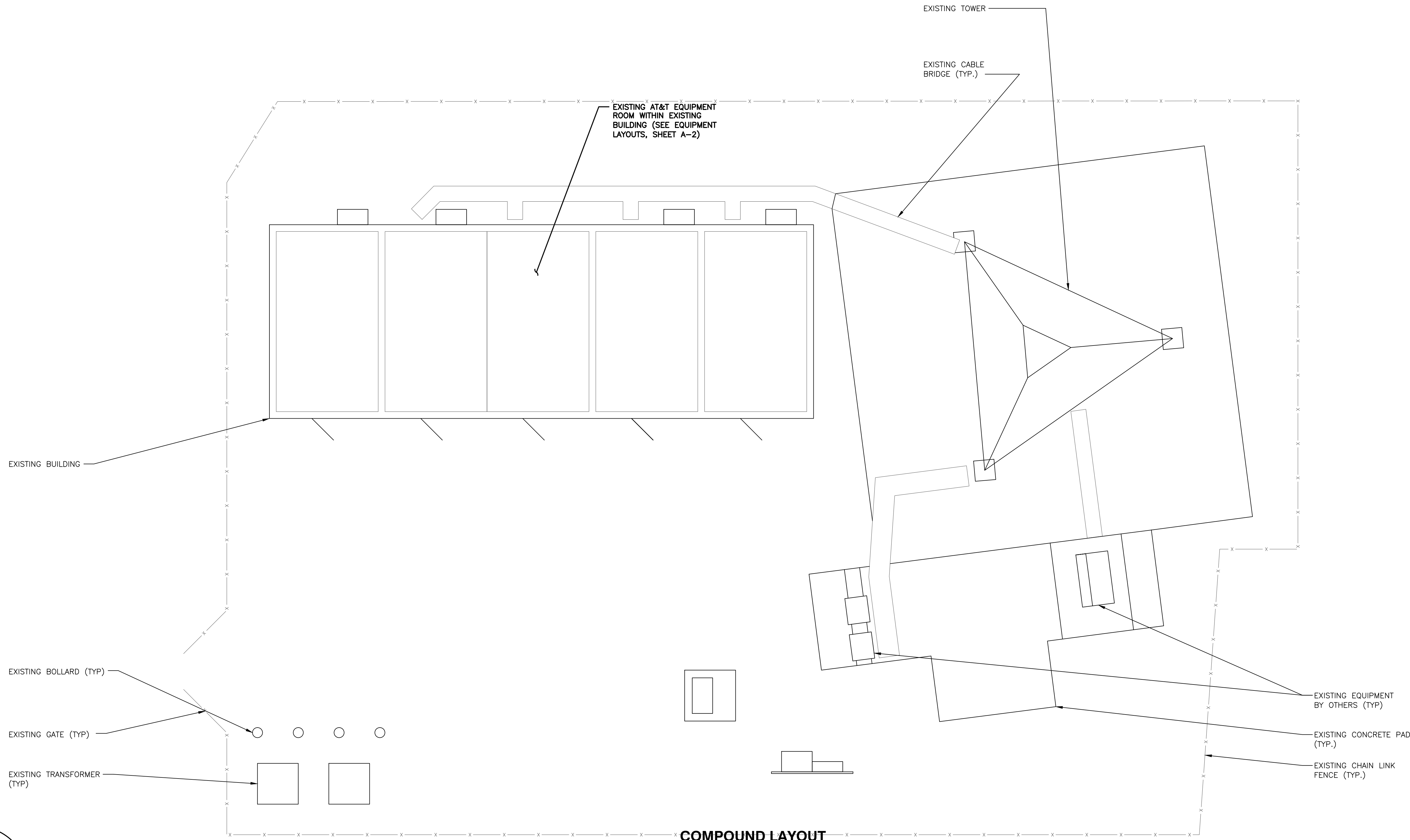
SITE NUMBER: CT2129
SITE NAME: WESTON DT
 1 BUTTERNUT HOLLOW ROAD
 GREENWICH, CT 06830
 FAIRFIELD COUNTY



2	03/14/19	REVISED PER COMMENTS	KCD	NDB	NDB
1	02/21/19	REVISED FOR BWE	KCD	NDB	NDB
0	03/10/17	ISSUED AS FINAL	KCD	NDB	NDB
NO.	DATE	REVISIONS	BY	CHK	APP'D
SCALE: AS SHOWN			DESIGNED BY: KCD		DRAWN BY: KCD



AT&T		
DRAWING TITLE: GROUNDING NOTES & GENERAL NOTES		
JOB NUMBER 15011-EMP	DRAWING NUMBER GN-1	REV 1



COM-EX
Consultants
115 ROUTE 46
SUITE E39
MOUNTAIN LAKES, NJ 07046
PHONE: 862.209.4300
FAX: 862.209.4301

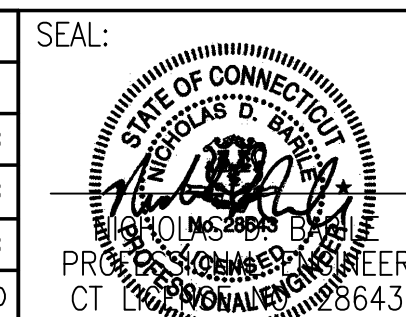
EMPIRE
telecom
16 ESQUIRE ROAD
BILLERICA, MA 01821

SITE NUMBER: CT2129
SITE NAME: WESTON DT
1 BUTTERNUT HOLLOW ROAD
GREENWICH, CT 06830
FAIRFIELD COUNTY

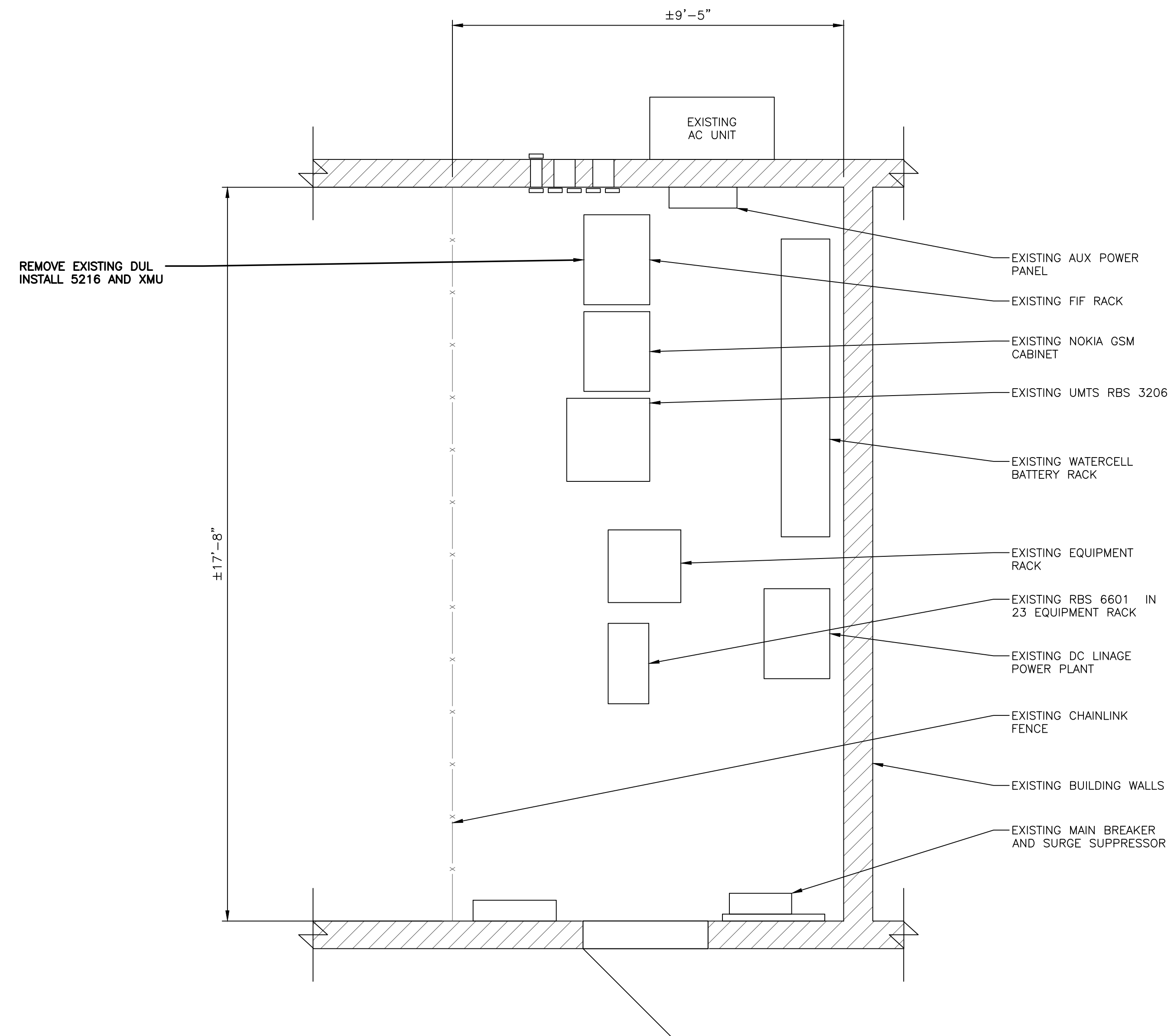
at&t
MOBILITY
550 COCHITUATE ROAD
FRAMINGHAM, MA 01701

NO.	DATE	REVISIONS	BY	CHK	APP'D
2	03/14/19	REVISED PER COMMENTS	KCD	NDB	NDB
1	02/21/19	REVISED FOR BWE	KCD	NDB	NDB
0	03/10/17	ISSUED AS FINAL	KCD	NDB	NDB

SCALE: AS SHOWN DESIGNED BY: KCD DRAWN BY: KCD



AT&T		
DRAWING TITLE:		
COMPOUND LAYOUT		
JOB NUMBER	DRAWING NUMBER	REV
15011-EMP	A-1	1



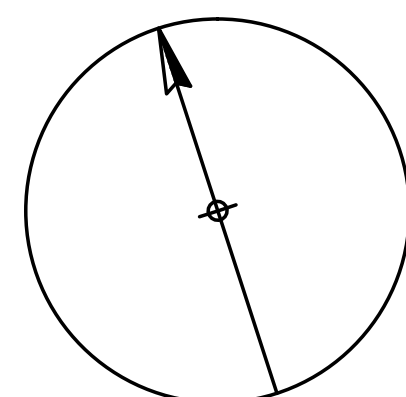
EXISTING EQUIPMENT LAYOUT

SCALE: 1" = 2'-0"



(IN FEET)
1/2 Inch = 1 Foot

NO GROUND EQUIPMENT MODIFICATIONS ARE BEING MADE AS PART OF THIS SCOPE. EXISTING GROUND EQUIPMENT CONFIGURATION TO REMAIN.



NORTH

COM-EX
Consultants
115 ROUTE 46
SUITE E39
MOUNTAIN LAKES, NJ 07046
PHONE: 862.209.4300
FAX: 862.209.4301

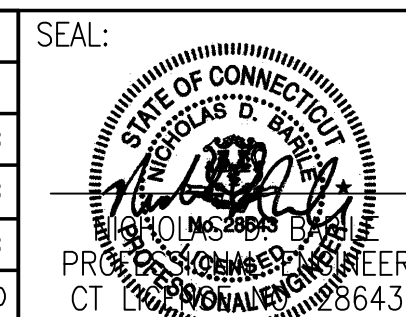
EMPIRE
telecom
16 ESQUIRE ROAD
BILLERICA, MA 01821

SITE NUMBER: CT2129
SITE NAME: WESTON DT
1 BUTTERNUT HOLLOW ROAD
GREENWICH, CT 06830
FAIRFIELD COUNTY

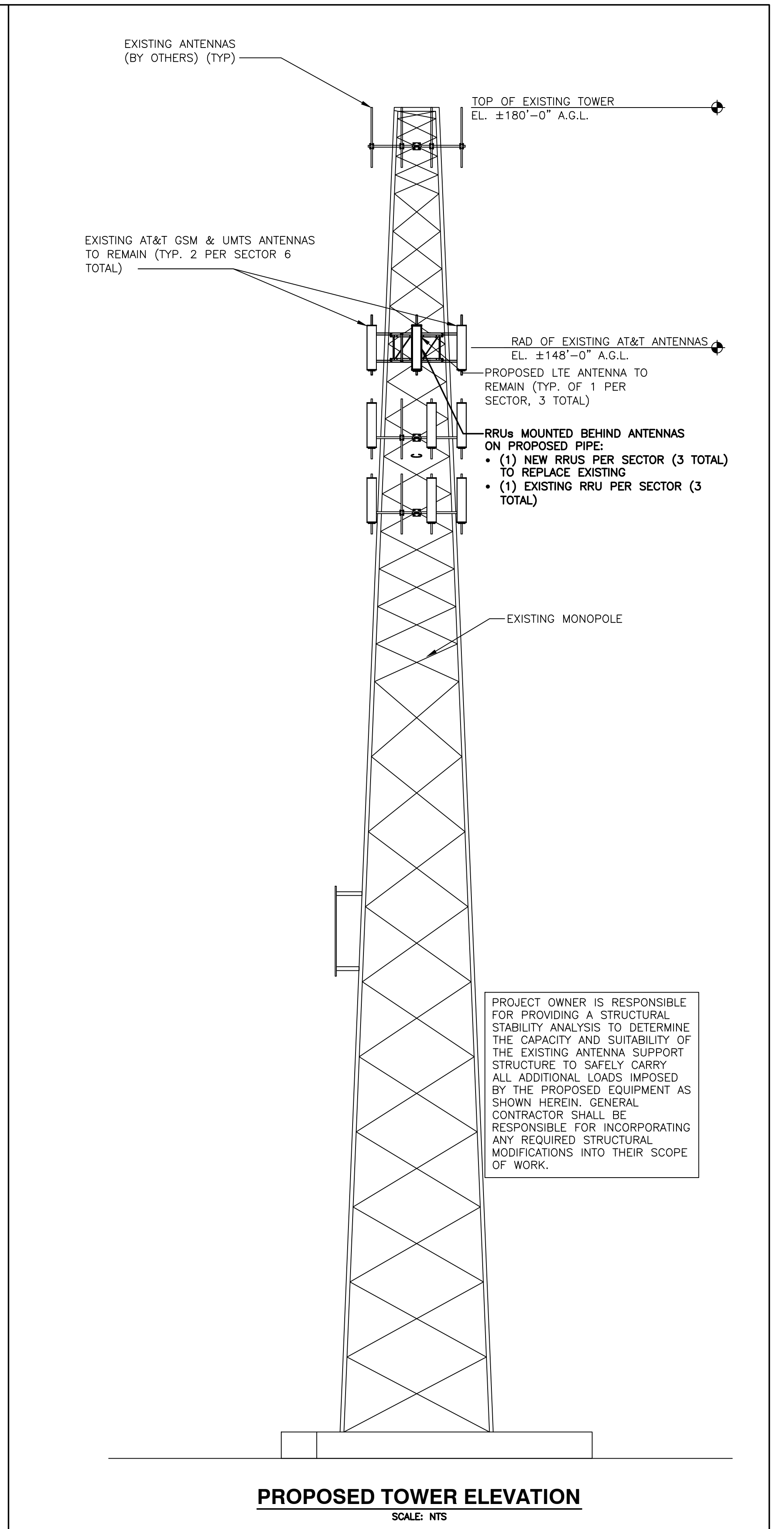
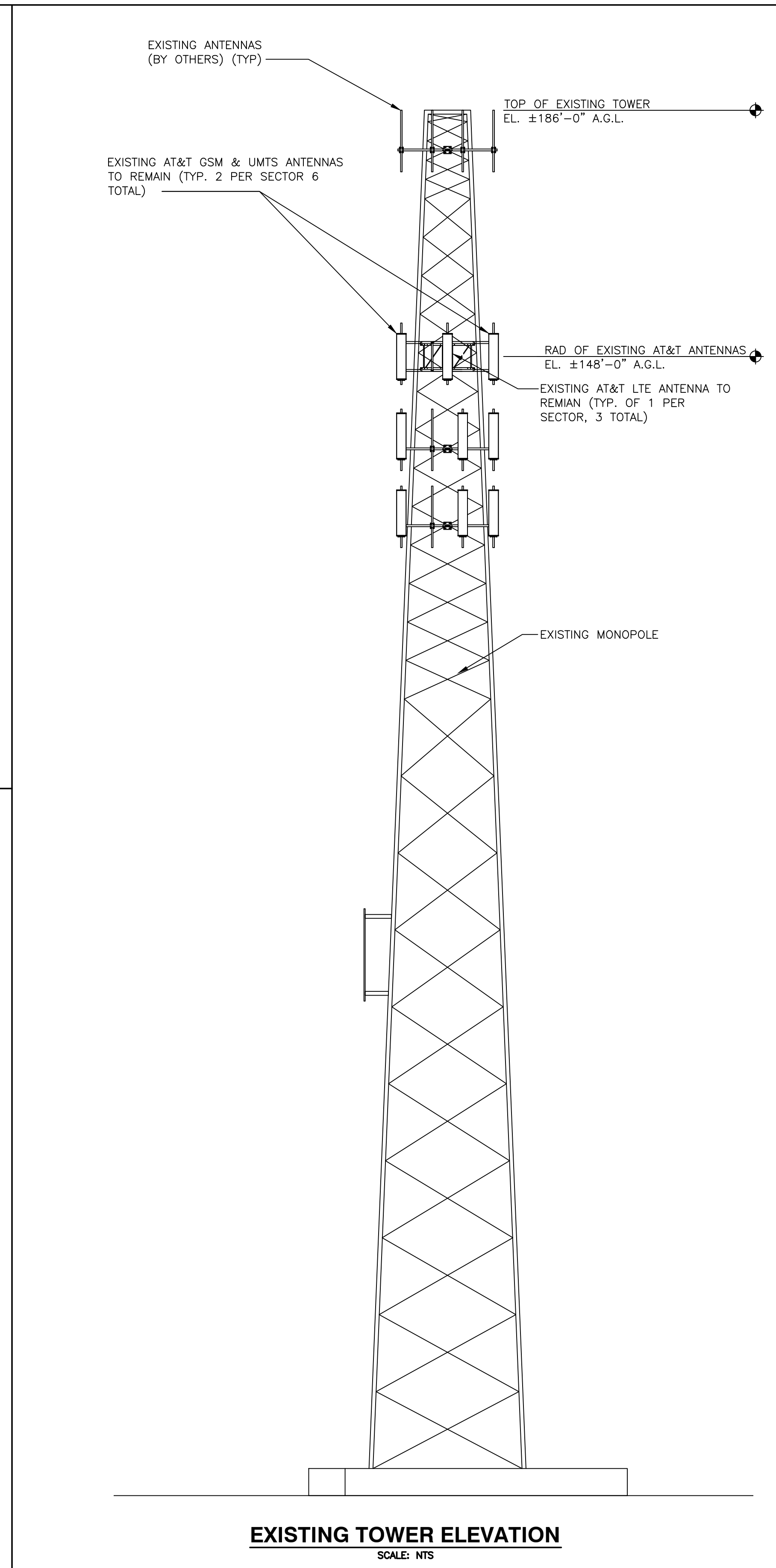
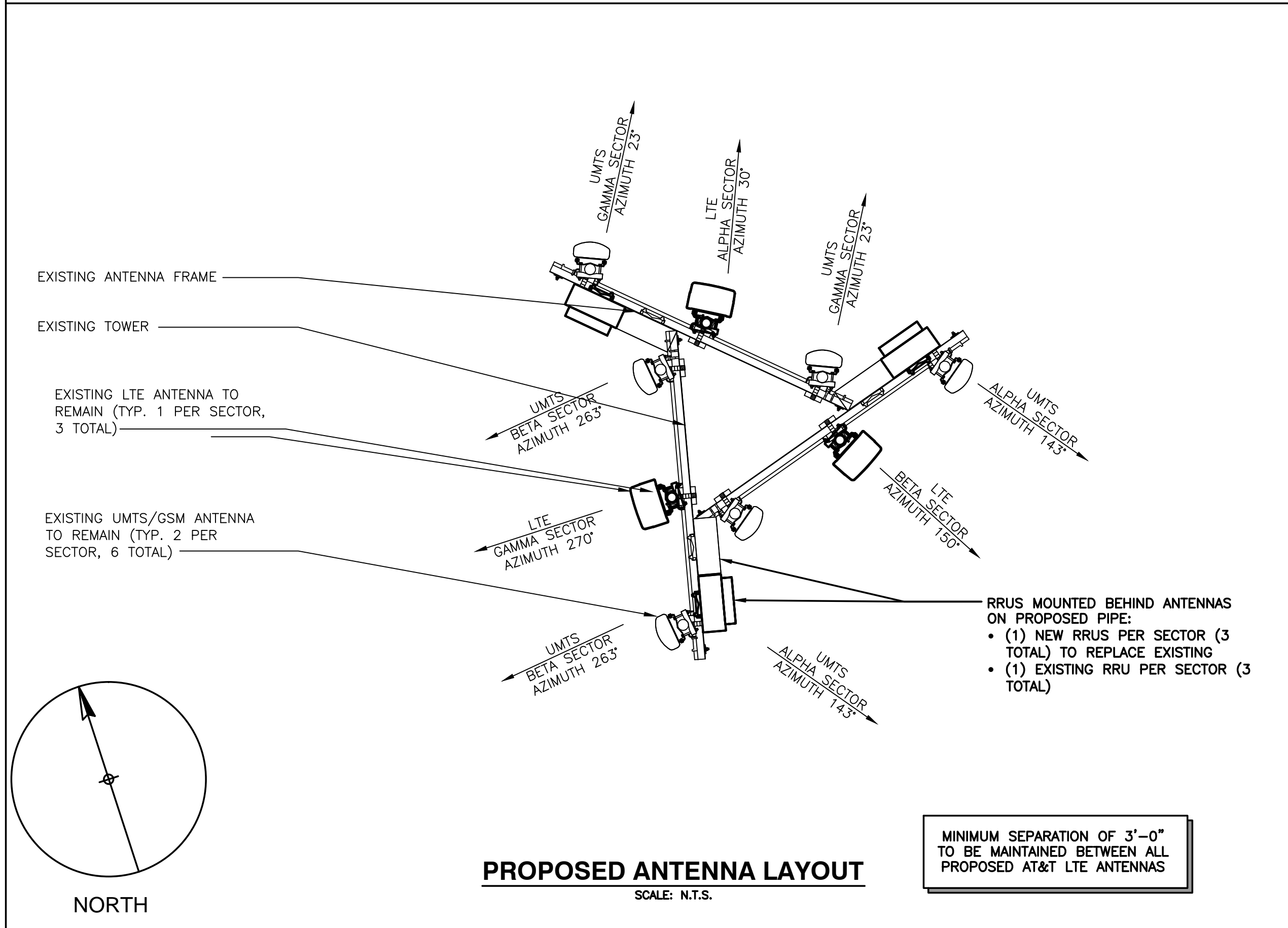
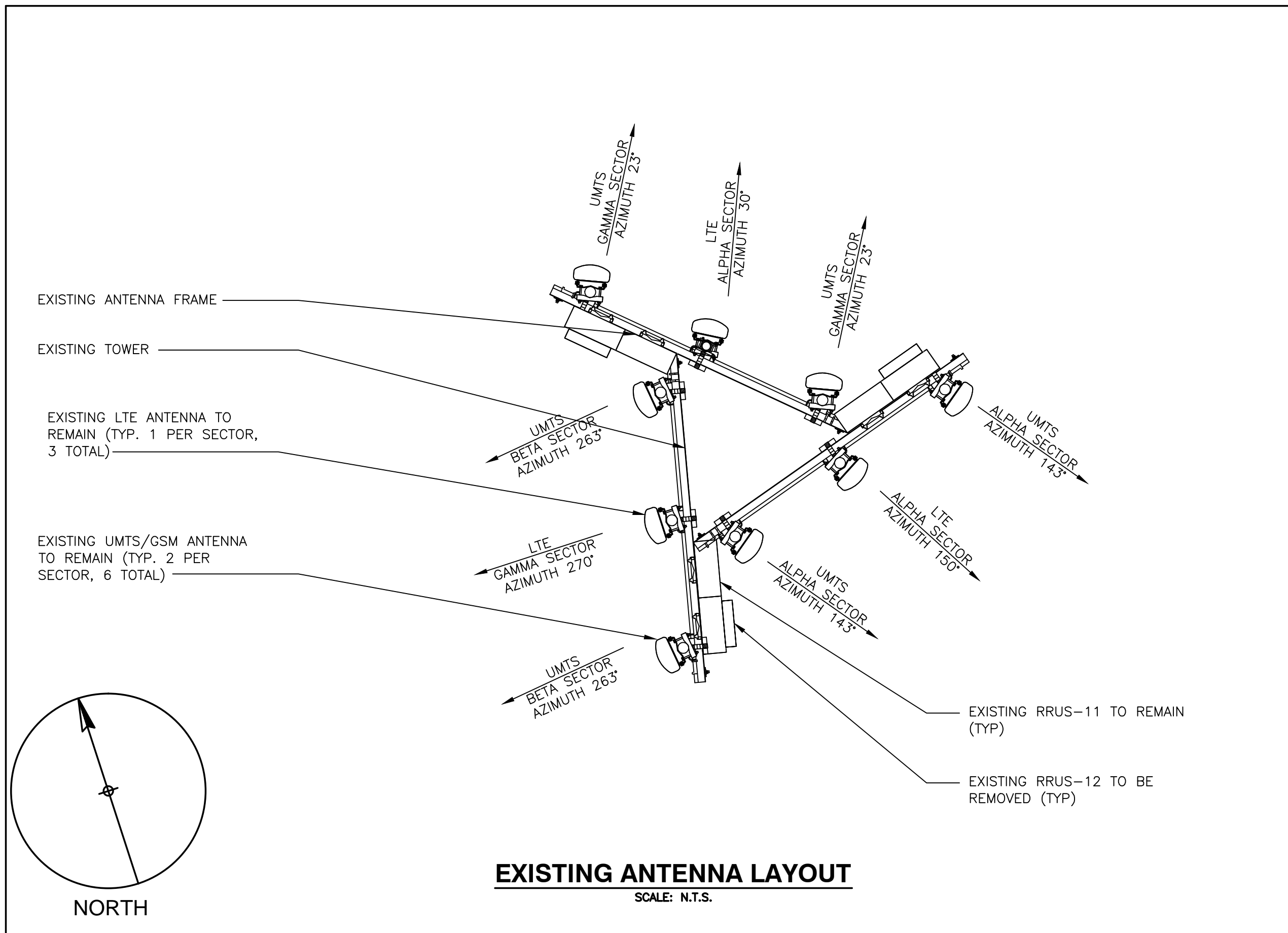
at&t
MOBILITY
550 COCHITUATE ROAD
FRAMINGHAM, MA 01701

NO.	DATE	REVISIONS	BY	CHK	APP'D
2	03/14/19	REVISED PER COMMENTS	KCD	NDB	NDB
1	02/21/19	REVISED FOR BWE	KCD	NDB	NDB
0	03/10/17	ISSUED AS FINAL	KCD	NDB	NDB

SCALE: AS SHOWN DESIGNED BY: KCD DRAWN BY: KCD

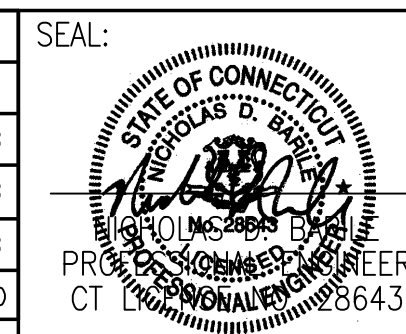


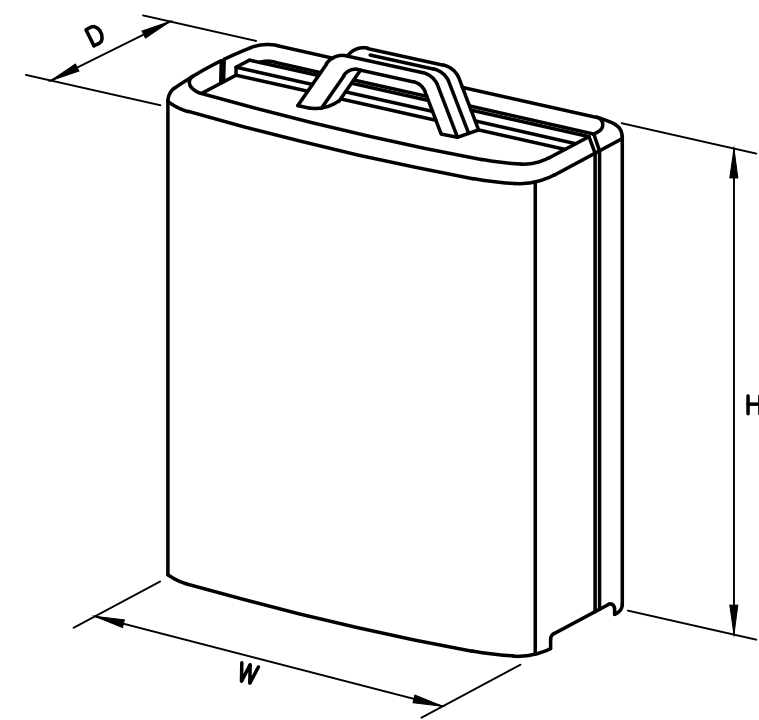
AT&T		
DRAWING TITLE:		
EQUIPMENT LAYOUTS		
JOB NUMBER	DRAWING NUMBER	REV
15011-EMP	A-2	1



NO.	DATE	REVISIONS	BY	CHK	APP'D
2	03/14/19	REVISED PER COMMENTS	KCD	NDB	NDB
1	02/21/19	REVISED FOR BWE	KCD	NDB	NDB
0	03/10/17	ISSUED AS FINAL	KCD	NDB	NDB

SCALE: AS SHOWN DESIGNED BY: KCD DRAWN BY: KCD



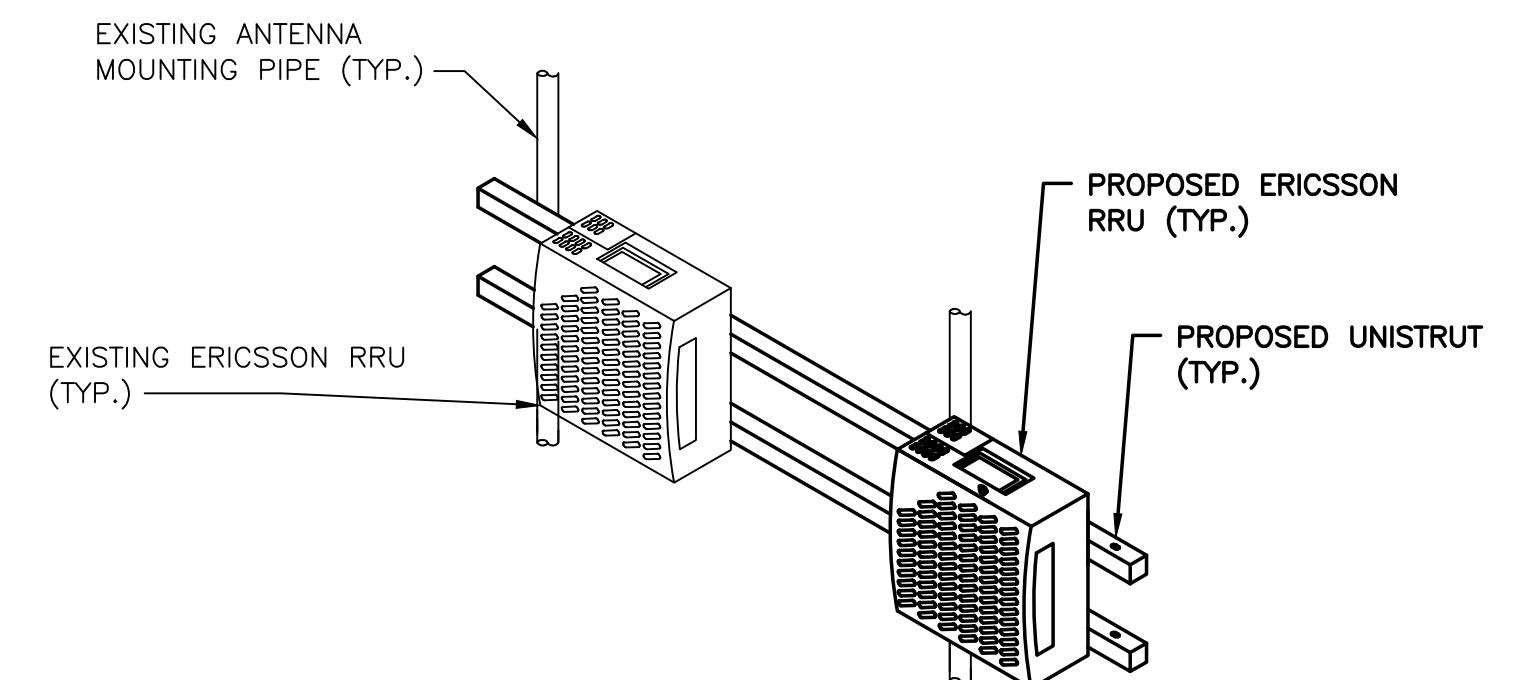


MODEL	L x W x H	WEIGHT
*RRUS-11	19.69" x 16.97" x 7.17"	50.7 LBS
RRUS-32 B2	27.2" x 12.1" x 7"	60 LBS

*ALL EXISTING RRUS-11 TO BE RELOCATED & REUSED

RRUS DETAIL

SCALE: N.T.S.



RRU MOUNTING DETAIL

SCALE: N.T.S.

FINAL ANTENNA SCHEDULE

SECTOR	POSITION	MAKE	MODEL	SIZE (INCHES)
ALPHA	A1	POWERWAVE	7770.00	55"x11"x5"
	A2	CCI	OPA-65R-LCUU-H6	72"x14.8"x7.4"
	A3	-	-	-
	A4	POWERWAVE	7770.00	55"x11"x5"
BETA	B1	POWERWAVE	7770.00	55"x11"x5"
	B2	CCI	OPA-65R-LCUU-H6	72"x14.8"x7.4"
	B3	-	-	-
	B4	POWERWAVE	7770.00	55"x11"x5"
GAMMA	G1	POWERWAVE	7770.00	55"x11"x5"
	G2	CCI	OPA-65R-LCUU-H6	72"x14.8"x7.4"
	G3	-	-	-
	G4	POWERWAVE	7770.00	55"x11"x5"

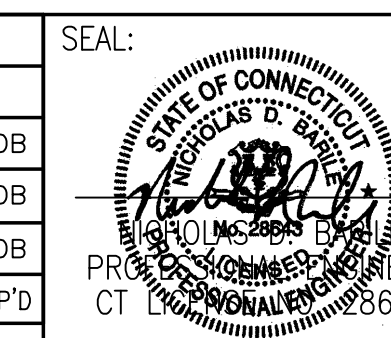
PROPOSED RRH SCHEDULE

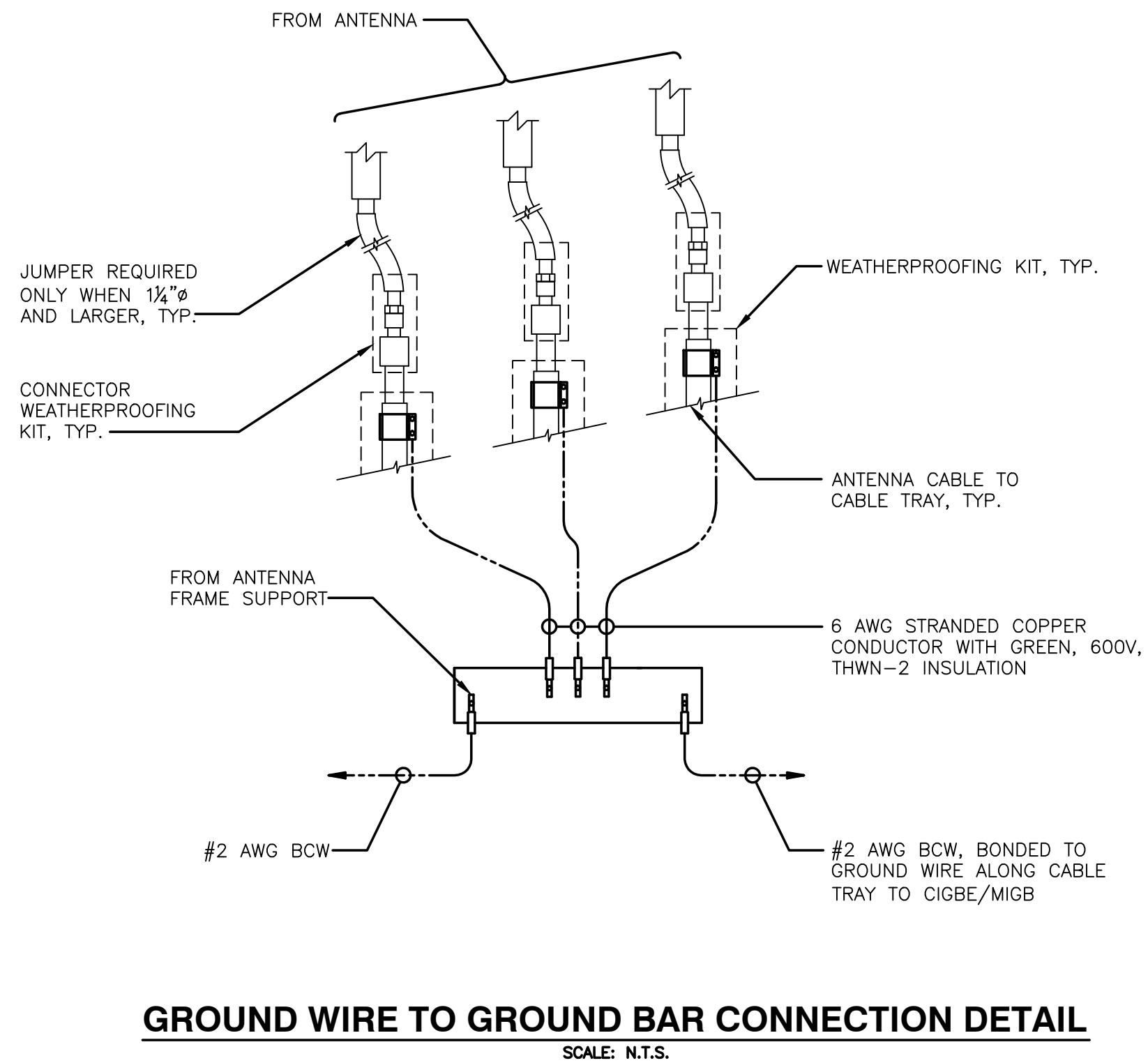
SECTOR	MAKE	MODEL	SIZE (INCHES)	ADDITIONAL COMPONENT	SIZE (INCHES)
ALPHA	ERICSSON	RRUS-32 B2	27.2"x12.1"x7"		
	ERICSSON	RRUS-11	19.7"x16.9"x7.2"		
BETA	ERICSSON	RRUS-32 B2	27.2"x12.1"x7"		
	ERICSSON	RRUS-11	19.7"x16.9"x7.2"		
GAMMA	ERICSSON	RRUS-32 B2	27.2"x12.1"x7"		
	ERICSSON	RRUS-11	19.7"x16.9"x7.2"		

PROJECT OWNER IS RESPONSIBLE FOR PROVIDING A STRUCTURAL STABILITY ANALYSIS TO DETERMINE THE CAPACITY AND SUITABILITY OF THE EXISTING ANTENNA SUPPORT STRUCTURE TO SAFELY CARRY ALL ADDITIONAL LOADS IMPOSED BY THE PROPOSED EQUIPMENT AS SHOWN HEREIN. GENERAL CONTRACTOR SHALL BE RESPONSIBLE FOR INCORPORATING ANY REQUIRED STRUCTURAL MODIFICATIONS INTO THEIR SCOPE OF WORK.

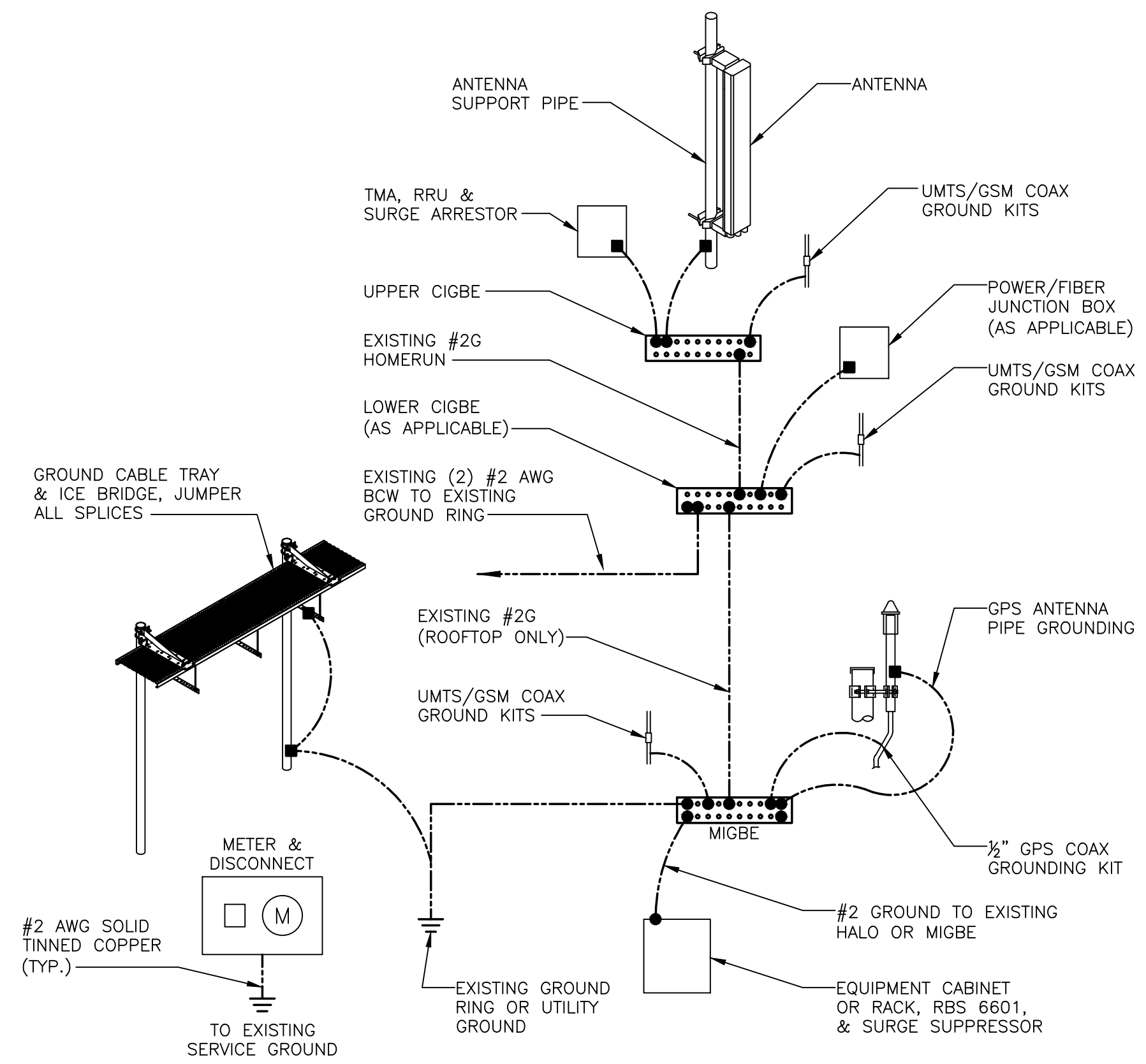
NO.	DATE	REVISIONS	BY	CHK	APP'D
2	03/14/19	REVISED PER COMMENTS	KCD	NDB	NDB
1	02/21/19	REVISED FOR BWE	KCD	NDB	NDB
0	03/10/17	ISSUED AS FINAL	KCD	NDB	NDB

SCALE: AS SHOWN DESIGNED BY: KCD DRAWN BY: KCD





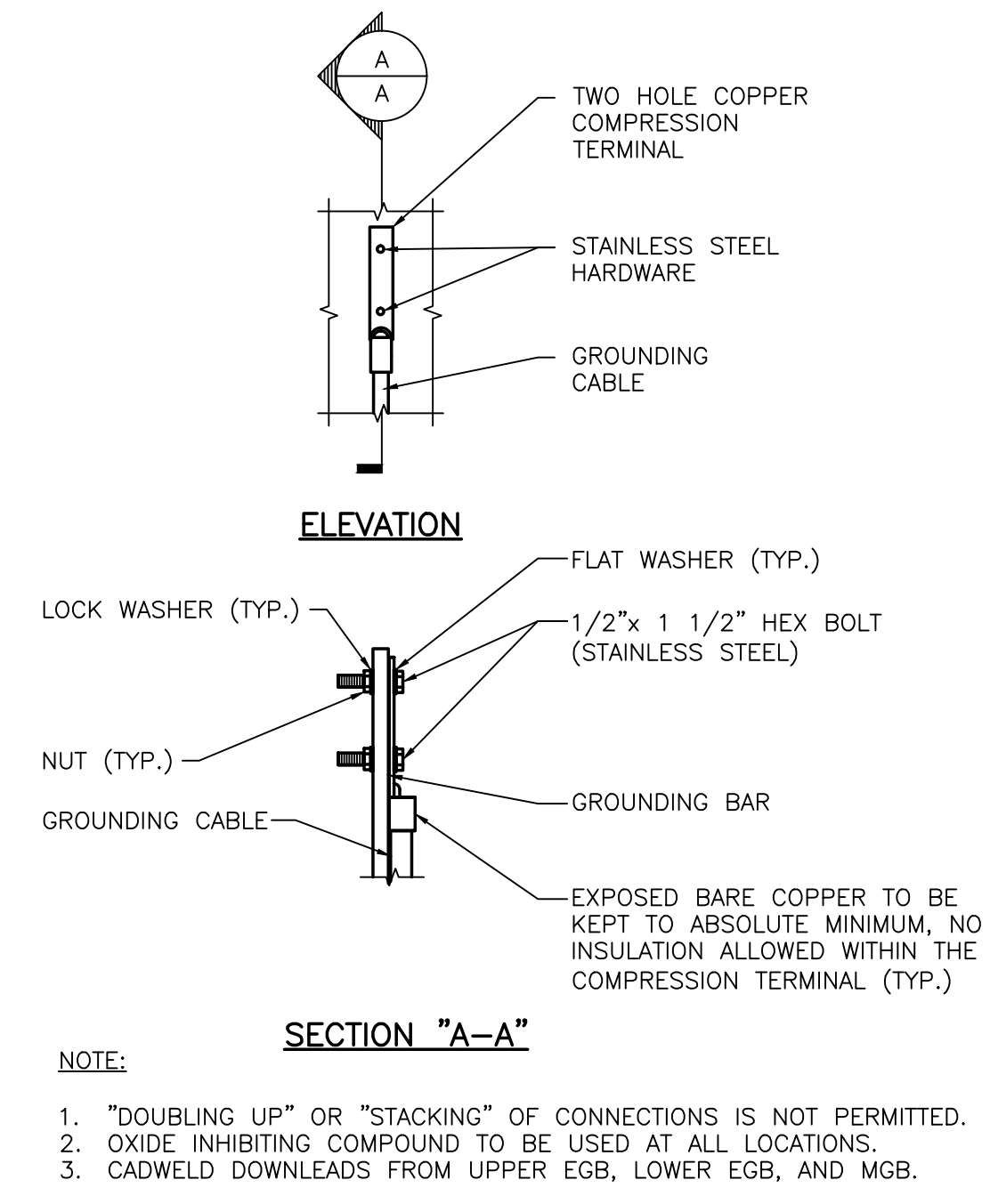
GROUND WIRE TO GROUND BAR CONNECTION DETAIL
SCALE: N.T.S.



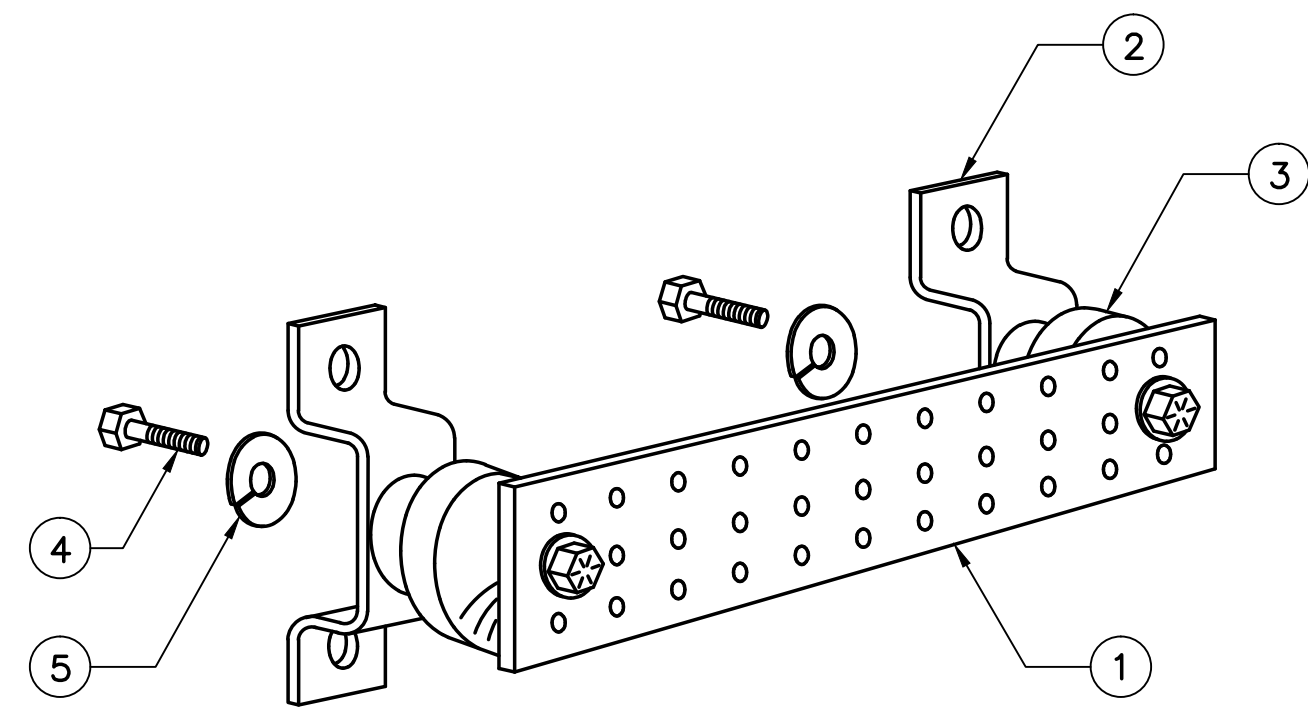
GROUNDING RISER DIAGRAM
SCALE: N.T.S.

C:\Comex\AT&T\Empire\15011-EMP CT2129 10035039\09 Maps - Scans - Images\Plumbing Diagram BWE.jpg

TYPICAL PLUMBING DIAGRAM (PER SECTOR)
SCALE: N.T.S.



TYPICAL GROUND BAR CONNECTION DETAIL
SCALE: N.T.S.



ITEM NO.	QTY.	DESCRIPTION
1	1	SOLID GROUND BAR (20"x 4"x 1/4")
2	2	WALL MOUNTING BRACKET
3	2	INSULATORS
4	4	5/8"-11x1" H.H.C.S.
5	4	5/8" LOCK WASHER

NOTES:
EACH GROUND CONDUCTOR TERMINATING ON ANY GROUND BAR SHALL HAVE AN IDENTIFICATION TAG ATTACHED AT EACH END THAT WILL IDENTIFY ITS ORIGIN AND DESTINATION

SECTION "P" - SURGE PRODUCERS

- CABLE ENTRY PORTS (HATCH PLATES) (#2)
- GENERATOR FRAMEWORK (IF AVAILABLE) (#2)
- TELCO GROUND BAR
- COMMERCIAL POWER COMMON NEUTRAL/GROUND BOND (#2)
- +24V POWER SUPPLY RETURN BAR (#2)
- 48V POWER SUPPLY RETURN BAR (#2)
- RECTIFIER FRAMES

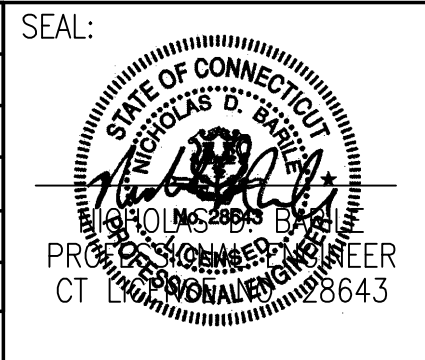
SECTION "A" - SURGE ABSORBERS

- INTERIOR GROUND RING (#2)
- EXTERNAL EARTH GROUND FIELD (BURIED GROUND RING) (#2)
- METALLIC COLD WATER PIPE (IF AVAILABLE) (#2)
- BUILDING STEEL (IF AVAILABLE) (#2)

GROUND BAR DETAIL
SCALE: N.T.S.

NO.	DATE	REVISIONS	BY	CHK	APP'D
2	03/14/19	REVISED PER COMMENTS	KCD	NDB	NDB
1	02/21/19	REVISED FOR BWE	KCD	NDB	NDB
0	03/10/17	ISSUED AS FINAL	KCD	NDB	NDB

SCALE: AS SHOWN DESIGNED BY: KCD DRAWN BY: KCD





Submitted to
Empire Telecom USA, LLC
16 Esquire Road
Billerica, MA 01862

Submitted by
AECOM
500 Enterprise Drive,
Suite 3B
Rocky Hill, CT 06067
July 31, 2019

Airosmith Development, Inc.
32 Clinton Street
Saratoga Springs, NY 12866

Northeast Site Solutions
199 Brickyard Road
Farmington, CT 06032

Verizon Wireless
20 Alexander Drive, 2nd Floor
Wallingford, CT

DETAILED STRUCTURAL ANALYSIS AND MODIFICATION OF AN EXISTING 180' SELF SUPPORTING LATTICE TOWER WITH STACK-N-BOLT SYSTEM AND FOUNDATION FOR PROPOSED ANTENNA ARRANGEMENT

AT&T Site No. : CT2129
Sprint Site No. : CT03XC343
T-Mobile Site No. : CT11070B
Verizon Site No. : Butternut, CT

Site Name : Connecticut State Police Tower #74
Site Address: 150 Butternut Hollow Road
CSP Tower # 74

60537397
Revision #4

TABLE OF CONTENTS

- 1. EXECUTIVE SUMMARY**
- 2. INTRODUCTION**
- 3. ANALYSIS METHODOLOGY AND LOADING CONDITIONS**
- 4. FINDINGS AND EVALUATION**
- 5. CONCLUSIONS**
- 6. ANALYSIS DATA**
 - **TOWER REINFORCEMENT DRAWINGS SK-1 THROUGH SK-5**
 - **CALCULATIONS COVER PAGE**
 - **PLS-TOWER INPUT / OUTPUT SUMMARY**
 - **PLS-TOWER NODE LOCATIONS**
 - **PLS-TOWER MEMBER LOCATIONS**
 - **PLS-TOWER DETAILED OUTPUT**
 - **CONNECTION BETWEEN TOWERS EVALUATION**
 - **FOUNDATION EVALUATION**

1. EXECUTIVE SUMMARY

This report summarizes the controlling load case structural analysis and evaluation of the 180' dual lattice tower, comprised of an exterior tower and an interior tower, located off of Butternut Hollow Road in Greenwich, Connecticut.

The structural analysis was conducted in accordance with the 2018 Connecticut State Building Code which includes the TIA-222-G¹ Standard, 2015 International Building Code, the 2018 Connecticut State Building Code Amendments, the AISC² Load Resistance Factor Design (LRFD), the ASCE 7³ design Code, and the Connecticut State Police Requirements which include the TIA/EIA-222-F⁴.

The antenna loading considered in the analysis consists of all the existing antennas, transmission lines and ancillary items as outlined in the Introduction Section of this report.

The proposed antenna modifications are listed below:

Proposed Antenna, Mounts & Cables	Carrier	Antenna Center Elevation
<u>Remove:</u>		
(3) Windload Dishes	CSP (Existing)	@ 180'
(3) Powerwave P65-16-XLH-RR Panel Antennas	AT&T (Existing)	@ 148'
(3) EMS RR90-17-02DP Panel Antennas (3) GSM TMA Units	T-Mobile (Existing)	@ 136'
(3) Swedcom SLCP 2x6014 Panel Antennas (3) Amphenol BXA-171063-8BF Panel Antennas (3) Commscope HBXX6516DS-A2M Panel Antennas (6) Commscope HBXX6517DS-A2M Panel Antennas (9) 1-5/8" Coaxial Cables (1) (OVP Box) Distribution Box (1) Hybrid Cable	Verizon (Existing)	@ 126'
<u>Install:</u>		
(3) CCI OPA-65R-LCUU-H6 Panel Antennas (3) Ericsson RRUS-32 B2 RRH Units	AT&T (Proposed)	@ 148'
(3) Ericsson AIR 21 B2A/B4P Panel Antennas (3) Ericsson AIR 32 B66A/B2A Panel Antennas (3) APXVSAA24_43-U-A20 Panel Antennas (3) (AWS) TMA Units (3) Ericsson 4478 B71 RRH Units (3) Ericsson RRUS-11 RRH Units (3) Generic 600/700 Diplexer Units (3) Ericsson Hybriflex Cable 6x12 Fiber Optic Cables	T-Mobile (Proposed)	@ 136'

Proposed Antenna, Mounts & Cables (Cont.)	Carrier	Antenna Center Elevation
(6) Commscope JAHH-65B-R3B-2DT Panel Antennas (3) BSAMNT-SBS-2-2 (JAHH Panel Antenna) Mounting Brackets (3) Samsung B2/B66a (RFV01U-D1A) RRH Units (3) Samsung B5/B13 (RFV01U-D2A) RRH Units (1) RFS DB-C1-12C-24AB-0Z Distribution Box (1) 1-5/8" O.D. Fiber Optic Cable (HB158-13U12S24-270-LI) (3) Commscope CBC78T-DS-43-2X Diplexer Units	Verizon (Proposed)	@ 126'
(3) Commscope DT465B-2XR Panel Antennas (3) 2x50W (800MHz) RRH Units (3) TD-RRH8x20-25 RRH Units w/ Solar Shield (1) Hybrid Cable (1-1/4" O.D. Cable used for Analysis) (3) Stiff-Arm Mount Support Attachments (1 per Sector) (SitePro1 Part # STK-U)	Sprint (Proposed)	@ 115'

The results of an initial assessment analysis indicated the existing exterior and interior tower structures did not have enough capacity for the proposed loading conditions. The existing tower structures require modifications shown on SK-1 through SK-5. **Once the modifications indicated on sheets SK-1 through SK-5 are performed, the modified structures are considered structurally adequate with the wind load classification specified with the existing and proposed antenna loading. No installation of proposed antennas shall occur without the required modification being completed.**

The results of the analysis indicate the modified tower's sway (deflection) is 0.65 degrees and the modified tower's twist (rotation) is 0.07 degrees. These figures are within the Connecticut State Police requirements of 0.75 degrees for combined twist (rotation) and sway (deflection) when applying the TIA/EIA-222-F design conditions.

1. TIA = Telecommunications Industry Association Structural Standard for Antenna Supporting Structures and Antennas (Version G)

2. AISC = American Institute of Steel Construction (14th Edition)

3. ASCE 7 = American Society of Civil Engineers Standard 7 (2010 Edition)

4. TIA/EIA = Telecommunications Industry Association Structural Standard for Antenna Supporting Structures and Antennas (Version F)

1. **EXECUTIVE SUMMARY** *(continued)*

This analysis is based on:

- 1) The tower structure's theoretical capacity not including any assessment of the condition of the tower.
- 2) Member sizes and tower geometry of the outer tower taken from manufacturers' drawings prepared by Rohn Industries, Inc., file number 28325, dated December 28, 1992.
- 3) Member sizes and tower geometry of the inner tower taken from design calculations and drawings prepared by Towertek Industries Inc., signed and sealed May 9, 2002.
- 4) Foundation modifications taken from drawings prepared by Walker Engineering Incorporated, Job number 0206-237R2, signed and sealed November 26, 2002.
- 5) Tower Mapping and Existing Inventory performed by D&K Nationwide Communications, Inc. on March 31, 2016
- 6) Previous structural analysis performed by AECOM on behalf of the Connecticut State Police, project # 60509756.08 / PNS-608, signed and sealed on September 6, 2016.
- 7) Proposed antenna inventory Radio Frequency Data Sheet (RFDS) and contract drawings provided by AT&T, obtained via e-mail, dated May 5, 2017.
- 8) Proposed antenna inventory RFDS provided by T-Mobile, obtained via e-mail, dated, February 15, 2018, with a revision to proposed inventory obtained via e-mail dated March 26, 2018.
- 9) Proposed antenna inventory RFDS provided by Verizon Wireless, obtained via e-mail, dated March 18, 2019.
- 10) Proposed antenna inventory from site Construction Drawings, signed and sealed October 19, 2018, provided by Sprint, obtained via e-mail, dated July 31, 2019.
- 11) Antenna inventory as specified in section 2 and 6 of this report.

This report is only valid as per the information and data provided by others for antenna inventory, mounts, tower structure, existing foundation and associated cables. The user of this report shall field verify the antenna, cabling and mount configuration used, as well as the physical condition of the tower members, connections and foundations. Notify the engineer in writing immediately if any of the information in this report is found to be other than specified.

If you should have any questions, please call.

Sincerely,

AECOM,



Richard A. Sambor, P.E.
Senior Structural Engineer

RAS/mcd

Cc: IA, CF/Book – AECOM

2. INTRODUCTION

The subject tower is located off of Butternut Hollow Road in Greenwich, Connecticut. The original outer structure is a self-supporting three-legged 180' steel tapered lattice tower manufactured by Rohn Industries. A subsequent inner tower structure, a Stack-N-Bolt system, was installed inside the original tower and was designed by Towertek.

The structural analysis was conducted in accordance with the following:

- TIA-222-G Standard for Standard for a wind velocity of range of 90 mph to 110 mph (3-second gust) and 50 mph (3-second gust) concurrent with 0.75" ice thickness, considered to increase in thickness with height
- 2015 International Building Code with 2018 Connecticut State Building Code Amendments for a wind speed of 101 mph (3-second gust)
- 2010 AISC Load Resistance Factor Design (LRFD)
- 2010 ASCE 7 Minimum Design Loads for Buildings and Other Structures for the ice thickness referenced in the TIA-222-G Standard
- Connecticut State Police Requirements for a wind velocity of 90 mph (fastest mile) and 90 mph (fastest mile) concurrent with 0.5" ice. Twist (rotation) and sway (deflection) were determined in accordance with Connecticut State Police Requirements for a wind velocity of 90 mph (fastest mile) concurrent with 0.5" ice, analyzed under the TIA/EIA-222-F design Standard.

The existing structure supports numerous communication antennas. The inventory is summarized below:

Antenna Type	Carrier	Mount	Centerline Elevation / Leg	Cable
(1) Scala OGT9-806 (inverted) * (1) Sinclair SC479-HF1LDF (inverted) (1) TTA/Junction Box *	#27A,27B,27C CSP 2 * , 4 & 74 * (existing)	3' Stand-Off	175 / B	(2) 1-5/8" (1) 3/8" *
(1) (inverted) Dipole Antenna	#26-A NEU – 20 (existing)	Shared with Above (Omni @ 175')	175 / A	(1) 7/8"
(1) Sinclair SC479-HF1LDF (inverted) (1) Junction Box	#26-B CSP – 67 (existing)	Shared with Above (Omni @ 175')	175 / A	(1) 1-5/8" (1) 1/2"
(1) PD-420 20' Dipole Antenna	#28D NEU – 55 (existing)	3' Stand-Off	174 / C	(1) 7/8"
(1) DB-583 Omni Antenna	#28C TOG – 5 (existing)	Shared with Above	174 / C	(1) 1-5/8"
(1) Scala OGT9-806N * (1) Sinclair SC479-HF1LDF	#28A,28B CSP - 1 * & 3 (existing)	3' Stand-Off	174 / C	(2) 1-5/8"

Antenna Type	Carrier	Mount	Centerline Elevation / Leg	Cable
(1) SC3-W100AC 3' Dish Antenna	#25 Greenwich Police Dep. (existing)	Dish Mount	168 / B	(1) Elliptical Cable
(1) Kathrine 197-501 Panel Antenna (1) TMA	#23 Stamford 64 & 65 (existing)	3' Arm	168 / A	(1) 1-5/8" (1) 1/2"
DB-586-Y	#22 TOG - 6 (existing)	Leg Mounted	165 / A	(1) 7/8"
8' (solid) Dish with Radome	#21 SPD - 9 (existing)	Dish Mount	160 / A	(1) EW90
(3) Sinclair SC-479-HF1LDF (1 upright, 2 inverted) (1) TMA	CSP 70 to 73 (reserve)	3' Stand-Off	160	(3) 1-5/8" (1) 1/2"
(1) Kathrine 197-501 Panel Antenna	#20 Unknown (existing)	3' Arm	159.5 / A	(1) 7/8"
(1) Kathrine 197-501 Panel Antenna	#19 Stamford 63 (existing)	3' Arm	159 / B	(1) 7/8"
(3) OPA-65R-LCUU-H6 Panel Antennas (3) RRUS-32 B2 RRH Units	AT&T (Proposed)	<i>Shared with Below Mounts</i>	147.5 / ABC	<i>See Below Cables</i>
(6) Powerwave 7770 (12) TMAs (6) Ericsson RRU (1) Raycap Surge Suppressor	AT&T (existing)	(3) Side Arm Mounts	147.5 / ABC	(12) 1-5/8" (1) Fiber Optic Cable (2) DC Cables
(1) Celwave PD1142	#15 CSP – 21 (existing)	3' Arm	137 / B	(1) 7/8"
(3) AIR 21 B2A/B4P Panels (3) AIR32 B66A/B2A Panels (3) APXVSAA24_43-U-A20 Panel Antennas (3) (AWS) TMA Units (3) 4478 B71 RRH Units (3) RRUS-11 RRH Units (3) Generic Diplexer (600/700)	T-Mobile (Proposed)	<i>Shared with Below Mounts</i>	136 / ABC	(3) 1-1/4" Hybriflex Cables (6x12)
----	T-Mobile (existing)	Face Mounted	136 / ABC	(6) 1-5/8"

Antenna Type	Carrier	Mount	Centerline Elevation / Leg	Cable
(1) 6' Dipole Antenna	#12 unknown (existing)	3' Arm	135 / C	(1) 7/8"
(1) Kreco CO41AN	#11 NEU – 18 (existing)	Mounted on Below Frame	130 / A	(1) 1-5/8"
(6) JAHH-65B-R3B-2DT Panels (3) Samsung B2/B66a (RFV01U-D1A) RRH Units (3) Samsung B5/B13 (RFV01U-D2A) RRH Units (1) RFS DB-C1-12C- 24AB-0Z Distribution Box (3) Commscope CBC78T-DS-43-2X Duplexer Units	Verizon (Proposed)	(3) Mount Brackets for JAHH Panels Shared with Below Mounts	126 / ABC	(1) 1-5/8" Fiber Optic Cables
(6) Andrew DB844H80- XY Panels	Verizon (existing)	(3) Boom Gates (existing)	126 / ABC	(6) 1 5/8"
(1) Celwave PD1142	#9 DEP – 54 (existing)	3' Arm	122 / B	(1) 7/8"
(1) Celwave PD1142	#8 CSP – 66 (existing)	Share with (#9) 3' Arm	122 / B	(1) 7/8"
(3) DT465B-2XR Panels (3) 800 MHz RRH Units (3) TD-RRH 8x20-25 RRH Units	Sprint (Proposed)	(3) STK-U Stiff Arm Support to Below Mount	115 / ABC	(1) Hybriflex Cable
(3) APXVSP18-C Panel Antennas (3) 800 MHz 2x50W RRH Units (3) 1900 MHz 4x45 RRH Units	Sprint (existing)	(3) 12' T-Arm Mount	115 / ABC	(3) Hybriflex Cables
(1) Celwave PD1142	#7 NEU – 17 (existing)	3' Stand-off	110 / A	(1) 7/8"
(1) Celwave PD1142	#5 NEU – 16 (existing)	6' Arm	82 / C	(1) 1-5/8"
(1) 10' Dipole	#4 DOT – 56 (existing)	3' Arm	65 / C	(1) 7/8"
(1) GPS	#3 Sprint - 69 (existing)	3' Arm	60 / C	(1) 7/8"

Antenna Type	Carrier	Mount	Centerline Elevation / Leg	Cable
(1) 4' Dipole Antenna	#1 Unknown (existing)	3' Arm	56 / A	(1) 7/8"
(1) GPS (TMG-26N)	#2 Verizon - 68 (existing)	3' Arm	54 / B	(1) 7/8"

Notes: Antenna elevations and ID numbering obtained from Tower Mapping and Existing Inventory via tower climb, performed by D&K Nationwide Communications, Inc. on March 31, 2016.

“ * “ indicated future decommissioning of CSP antennas

This structural analysis and evaluation of the communications tower was performed by AECOM on behalf of AT&T, Sprint, T-Mobile and Verizon Wireless (VZW). The purpose of this analysis was to investigate the structural integrity of the modified tower and existing foundation for existing and proposed antenna loads in compliance with the 2018 Connecticut State Building Code. This analysis was conducted to evaluate stress on the tower and the effect forces to the foundation of the tower resulting from existing and proposed antenna arrangements.

3. ANALYSIS METHODOLOGY AND LOADING CONDITIONS

The structural analysis was done in accordance with, the TIA-222-G--Structural Standard for Antenna Towers and Antenna Supporting Structures and Antennas, the 2015 International Building Code with 2018 Connecticut State Building Code Amendments and the American Institute of Steel Construction (AISC) Manual of Steel Construction – Load Resistance Factor Design (LRFD)

The analysis was conducted using PLS-Tower (version 10.62) and used the following conditions for this tower review (following the TIA/EIA-222-G Standard):

- Structure Class 3 – (Essential Communications)
 - NOTE: ASCE 7 and CT State Building Code Applied Risk Category 4 for design wind loads (see below)
- Topographic Category 3 – (Tower location on top of hill – rolling wind conditions considered)
 - Crest Height used for analysis: (approximate elevations listed below)
 - Tower Base Elevation = 350 feet
 - High point (2 mile Radius) = 560 feet (Ref. Round Hill – West of Tower Site)
 - Low Point (2 mile Radius) = 212 feet (Ref. Near intersection of Grahampton Lane – South of Tower Site)
 - “H” = (Avg of High/Low) – Base Elevation = 36 feet
- Exposure Class C – (Open Terrain with scattered obstructions)
- Load Conditions:
 - Five load conditions were evaluated as shown which were compared to design stresses according to AISC and TIA-222-G Standard. The load conditions apply TIA-222-G load combinations from Section 2.3.2 (shown at the end of this section)

Basic Wind Speed:

- TIA-222-G:
 - Fairfield County (Wind Speed Range): V = 90 mph - 110 mph (3-second gust) [Annex of TIA/EIA-222-G 2006]
- IBC 2015 w/ 2018 CT State Building Code Amendment:
 - (2015) IBC Section 1609.1.1 – Determination of Wind Loads – Exception 5 “Designs using TIA-222” applies for determination of Design Wind Load obtained as “V.ult” are to be converted to “V.asd” when applying the TIA-222-G design Standard (under Section 1609.3) for Basic Wind Speed.
 - (2018) CT State Building Code Amendment to the IBC Section 1609.3 wind loads are obtained from Appendix N of the State Building Code.
 - **V.asd = 101 mph** (3-Second Gust) Wind Design Parameter for the Town of Greenwich, Connecticut for Risk Category four (IV) for essential communications (Connecticut State Police).

Ice thickness used for this analysis is **0.75 inch** (assumed to start at the base of the tower) and is considered to increase in thickness with height. The initial ice thickness for design is referenced in the Annex of TIA-222-G and follows the same design criteria as the ASCE 7 Standard.

The below load condition implements the design requirements of the Connecticut State Police for the tower structures deflection limits with the allowable deflection limit of the combination of the tower’s sway (deflection) and twist (rotation) under the TIA-222-F design Standard. This design limit required the design combined value of sway (deflection) and twist (rotation) to be under 0.75 degrees following the TIA-222-F design Standard.

Load Condition (TIA-222-F) = 90 mph (fastest mile) Wind Load (with ice) + Ice Load + Tower Dead Load

3. ANALYSIS METHODOLOGY AND LOADING CONDITIONS (cont.)

Seismic event consideration factors/values for design (and are applied into the PLS-Tower design outputs – see below load combination):

- $S_s = 0.259$ (2018 CT State Building Code – Location Specific Value)
- $S_1 = 0.070$ (2018 CT State Building Code – Location Specific Value)
- Seismic Design Category = “C” – (2015 International Building Code)
- $F_a = 1.6$ (Obtained from TIA-222-G Table 2-12 Considering above conditions)
- $F_v = 2.4$ (Obtained from TIA-222-G Table 2-13 Considering above conditions)

Strength Limit State Load Combinations (TIA-222-G Section 2.3.2):

The structural analysis herein has considered the following load combinations within the analysis:

1. **1.2 Dead Load Tower structure + 1.0 Dead Load Guy Assemblies + 1.6 Wind load without ice**
2. 0.9 Dead Load Tower structure + 1.0 Dead Load Guy Assemblies + 1.6 Wind load without ice
3. 1.2 Dead Load Tower structure + 1.0 Dead Load Guy Assemblies + 1.0 Dead weight of ice due to factored ice thickness + 1.0 Concurrent wind load with factored ice thickness + 1.0 Load effects due to temperature
4. 1.2 Dead Load Tower structure + 1.0 Dead Load Guy Assemblies + 1.0 Earthquake Load
5. 0.9 Dead Load Tower structure + 1.0 Dead Load Guy Assemblies + 1.0 Earthquake Load

NOTE 1: The above **bolded** load combination is considered to create the governing design loads per the results of the analysis.

NOTE 2: The above “Dead Load Guy Assemblies” are not considered as part of the analysis and are considered as a value of zero.

NOTE 3: The “Load effects due to temperature” do not apply for structures that are self-sustaining (from the TIA-222-G Standard)

4. FINDINGS AND EVALUATION

The combined axial and bending stresses on the tower structure were evaluated to compare with the strength design in accordance with AISC (LRFD). The results of an initial analysis indicated that the existing exterior and interior tower structures did not have enough capacity to support the proposed loading conditions. The tower structure requires modifications shown on SK-1 through SK-5. **Once the modifications indicated on sheets SK-1 through SK-5 are performed, the modified structure and existing foundation are considered structurally adequate with the wind load specification and with the existing and proposed antenna loading included herein.**

The existing dual lattice tower's sway (deflection) is 0.65 degrees, and the existing tower's twist (rotation) is 0.07 degrees. The figures combined ARE within the Connecticut State Police requirement of 0.75 degrees for combined twist and sway.

See the below tables for tower capacity and tower deflection (sway) and rotation (twist) figures:

Tower Twist & Sway 90 mph concurrent with ice (TIA-222-F Condition):

<i>Component</i>	<i>Allowable</i>	<i>Actual</i>
Twist	0.75°	0.07°
Sway		0.65°

Proposed Tower Component Stress vs Capacity Summary (TIA-222-G Condition):

<i>Component</i>	<i>Component Size</i>	<i>Controlling Member</i>	<i>Stress (% Capacity)</i>	<i>Pass/Fail</i>
Rohn Diagonal	L3-1/2x3-1/2x1/4	Rohn-DF42	96.34	Pass
Rohn Leg	Rohn 6 EH (Extra Heavy)	Rohn-LG2P	91.06	Pass
Rohn Horizontal	L1-3/4x1-3/4x3/16	Rohn-H2P	16.10	Pass
Rohn Flange Bolts	(6) 1" Diameter A325 Bolts – Tension	Rohn-LH21	84.15	Pass
Interior Tower Diagonal	L6x6x3/8	SNB-DI42	95.44	Pass
Interior Tower Leg	Pipe 8 SCH 80 (Extra Strong)	SNB-LH2P	97.93	Pass
Interior Tower Horizontal	Pipe 4"x0.494" (Pipe 4 XXS)	SNB-H9cP	3.85	Pass
Interior Flange Bolts	(6) 1" Diameter A325 Bolts – Tension	SNB-LG21	96.67	Pass
Tower-to-Tower Connection	A325 Bolt	3/4" Bolt	67.7	Pass
Foundation	36.5' Square	Overturning Moment Resistance	93.8	Pass
Foundation	36.5' Square	Soil Bearing Resistance	72.3	Pass
Foundation	36.5' Square	Punching Shear Capacity	78.9	Pass
Foundation	36.5' Square	Foundation Flexure Capacity	91.4	Pass

Structure Rating (Maximum from all components) =	97.93 %	Pass
--	---------	------

5. CONCLUSIONS

The results of an initial assessment analysis indicated the existing Exterior and Interior tower structures did not have enough capacity for the proposed loading conditions. The existing tower structures require modifications shown on SK-1 through SK-5. **Once the modifications indicated on sheets SK-1 through SK-5 are performed, the modified structures are considered structurally adequate with the wind load classification specified with the existing and proposed antenna loading. No installation of proposed antennas shall occur without the required modification being completed.**

The results of the analysis indicate the modified tower's sway (deflection) is 0.65 degrees and the modified tower's twist (rotation) is 0.07 degrees. These figures are within the Connecticut State Police requirements of 0.75 degrees for combined twist (rotation) and sway (deflection) when applying the TIA/EIA-222-F design conditions.

Limitations/Assumptions:

This report is based on the following:

- A. Tower is properly installed and maintained.
- B. All members and their geometry are as specified in the original manufacturer drawings and are in good condition.
- C. All required members are in place.
- D. All bolts are in place and are properly tightened.
- E. Tower is in plumb condition.
- F. All member protective coatings are in good condition.
- G. All tower members were properly designed, detailed, fabricated, installed, and have been properly maintained since erection.
- H. Foundations are in good condition without defect and were properly constructed to support original design loads as specified in the original design documents.

AECOM is not responsible for any modifications completed prior to or hereafter in which AECOM is not or was not directly involved. Modifications include but are not limited to:

- A. Adding antennas
- B. Removing/replacing antennas
- C. Adding coaxial cables

AECOM hereby states that this document represents the entire report and that it assumes no liability for any factual changes that may occur after the date of this report. All representations, recommendations, and conclusions are based upon information contained and set forth herein. If you are aware of any information which conflicts with that which is contained herein, or you are aware of any defects arising from original design, material, fabrication, or erection deficiencies, you should disregard this report and immediately contact AECOM. AECOM disclaims all liability for any representation, recommendation, or conclusion not expressly stated herein.

Ongoing and Periodic Inspection and Maintenance:

After the Contractor has successfully completed the installation and the work has been accepted, the owner will be responsible for the ongoing and periodic inspection and maintenance of the tower.

The owner shall refer to TIA-222-G Section 14.2 for recommendations for maintenance and inspection. The frequency of the inspection and maintenance intervals is to be determined by the owner based upon actual site and environmental conditions. It is recommended that a complete and thorough inspection of the entire tower structural system be performed at least yearly and more frequently as conditions warrant. It is also recommended that the structure be inspected after severe wind and/or ice storms or other extreme loading conditions.

6. ANALYSIS DATA

TOWER REINFORCEMENT DRAWINGS SK-1 THROUGH SK-5

GENERAL CONSTRUCTION NOTES

- ALL WORK SHALL COMPLY WITH THE CONNECTICUT STATE BUILDING AND LIFE SAFETY CODES, SUPPLEMENTS AND AMENDMENTS.
- CONTRACTOR IS TO REVIEW ALL DRAWINGS AND NOTES IN THE CONTRACT DOCUMENT SET. CONTRACTOR SHALL COORDINATE ALL WORK SHOWN IN THE SET OF DRAWINGS. THE CONTRACTOR SHALL PROVIDE A COMPLETE SET OF DRAWINGS TO ALL SUB-CONTRACTORS AND ALL RELATED PARTIES. THE SUB-CONTRACTORS SHALL EXAMINE ALL THE DRAWINGS AND SPECIFICATIONS FOR THE INFORMATION THAT AFFECTS THEIR WORK.
- CONTRACTOR SHALL PROVIDE A COMPLETE BUILD-OUT WITH ALL FINISHES, STRUCTURAL, MECHANICAL, AND ELECTRICAL COMPONENTS AND PROVIDE ALL ITEMS AS SHOWN OR INDICATED ON DRAWINGS OR WRITTEN IN SPECIFICATIONS.
- CONTRACTOR SHALL FURNISH ALL MATERIAL, LABOR AND EQUIPMENT TO COMPLETE THE WORK AND FURNISH A COMPLETED JOB ALL IN ACCORDANCE WITH LOCAL AND STATE GOVERNING AUTHORITIES AND OTHER AUTHORITIES HAVING LAWFUL JURISDICTION OVER THE WORK.
- CONTRACTOR SHALL SECURE AND PAY FOR ALL PERMITS AND ALL INSPECTIONS REQUIRED AND SHALL ALSO PAY FEES REQUIRED FOR THE GENERAL CONSTRUCTION AND ELECTRICAL SUB-CONTRACTORS SHALL PAY FOR THEIR PERMITS.
- CONTRACTOR SHALL MAINTAIN A CURRENT SET OF DRAWINGS ON SITE AT ALL TIMES AND ENSURE THE DISTRIBUTION OF NEW DRAWINGS TO SUB-CONTRACTORS AND OTHER RELEVANT PARTIES AS SOON AS THEY ARE MADE AVAILABLE. ALL OLD DRAWINGS SHALL BE MARKED VOID AND REMOVED FROM THE CONTRACT AREA. CONTRACTOR SHALL FURNISH 'AS-BUILT' SET OF DRAWINGS TO OWNER UPON COMPLETION OF PROJECT.
- INSTALLATION OF THIS WIRELESS COMMUNICATIONS EQUIPMENT SITE REQUIRES WORK IN THE IMMEDIATE VICINITY OF EXISTING OPERATING TELECOMMUNICATION SYSTEMS. THE CONTRACTOR SHALL PROVIDE AND COORDINATE THE METHODS OF PROTECTION WITH THE VARIOUS TELECOMMUNICATION CARRIERS AND THE TOWER OWNER. THERE SHALL BE NO INTERRUPTION OF OPERATION WITHOUT TIMELY COORDINATION WITH AND APPROVAL BY THE VARIOUS COMMUNICATIONS OPERATORS INCLUDING THE CONNECTICUT STATE POLICE.
- THE REINFORCEMENT OF PORTIONS OF THIS TOWER STRUCTURE WILL AFFECT CRITICAL CONNECTICUT STATE POLICE ANTENNAS.
- NO MOVEMENT, ALTERATION, OR DISCONNECTION OF CONNECTICUT STATE POLICE ANTENNAS MAY OCCUR WITHOUT THE NOTIFICATION AND APPROVAL OF THE CONNECTICUT STATE POLICE. CONTACT THE NETWORK CONTROL CENTER AT 860-865-8008.
- TOWER REINFORCING WORK AFFECTING CRITICAL CONNECTICUT STATE POLICE ANTENNAS MAY BE REQUIRED TO BE CONDUCTED AT TIMES AS DETERMINED BY THE REQUIREMENTS OF THE CONNECTICUT STATE POLICE.
- ALL EQUIPMENT AND PRODUCTS PURCHASED ARE TO BE REVIEWED BY CONTRACTOR AND ALL APPLICABLE SUB-CONTRACTORS FOR ANY CONDITION PER MFR'S RECOMMENDATIONS. CONTRACTOR TO SUPPLY THESE ITEMS AT NO COST TO OWNER OR ARCHITECT.
- CONTRACTOR SHALL BE RESPONSIBLE FOR ALL ON-SITE SAFETY FROM THE TIME THE JOB IS AWARDED UNTIL ALL WORK IS COMPLETE AND ACCEPTED BY THE OWNER.
- CONTRACTOR TO REVIEW ALL SHOP DRAWINGS AND SUBMIT COPY TO ARCHITECT FOR REVIEW. DRAWINGS MUST BEAR THE CHECKER'S INITIALS BEFORE SUBMITTAL TO THE ARCHITECT FOR REVIEW.
- THE CONTRACTOR SHALL FIELD VERIFY ALL DIMENSIONS, ELEVATIONS, ANGLES, AND EXISTING CONDITIONS AT THE SITE, PRIOR TO FABRICATION AND/OR INSTALLATION OF ANY WORK IN THE CONTRACT AREA. SUBMIT ANY DISCREPANCIES FROM THE DRAWINGS TO THE ARCHITECT.
- THE CONTRACTOR IS SOLELY RESPONSIBLE TO DETERMINE CONSTRUCTION PROCEDURE AND SEQUENCE, AND TO ENSURE THE SAFETY OF THE EXISTING STRUCTURE AND ITS COMPONENT PARTS DURING CONSTRUCTION. THIS INCLUDES THE ADDITION OF WHATEVER SHORING, BRACING, UNDERPINNING, ETC. THAT MAY BE NECESSARY.
- CONTRACTOR TO CONTACT "CALL BEFORE YOU DIG" AT 1-800-922-4455 TO VERIFY AND IDENTIFY THE EXACT LOCATIONS OF ALL UNDERGROUND UTILITIES AND OBSTRUCTIONS IDENTIFIED PRIOR TO COMMENCING WORK IN THE CONTRACT AREA.
- CONTRACTOR SHALL COMPLY WITH OWNER ENVIRONMENTAL ENGINEER ON ALL METHODS AND PROVISIONS FOR ALL EXCAVATION ACTIVITIES INCLUDING SOIL DISPOSAL. ALL BACKFILL MATERIALS TO BE PROVIDED BY THE CONTRACTOR.
- DIMENSIONS OF EXISTING TOWER ARE BASED ON MANUFACTURER'S DRAWINGS PREPARED BY ROHN INDUSTRIES, INC., DATED DECEMBER 1992, AND ARE NOT GUARANTEED. CONTRACTOR SHALL TAKE FIELD DIMENSIONS AS NECESSARY TO ASSURE PROPER FIT OF ALL FINISHED WORK AND SHALL ASSUME FULL RESPONSIBILITY FOR THEIR ACCURACY. WHEN SHOP DRAWINGS BASED ON FIELD MEASUREMENT ARE SUBMITTED FOR REVIEW, DIMENSIONS ARE PROVIDED FOR THE ENGINEER'S REFERENCE ONLY.
- TOWER INVENTORY IS BASED ON INFORMATION OBTAINED BY CONNECTICUT STATE POLICE DATED APRIL 12, 2016. TOWER MAPPING AND EXISTING INVENTORY OBTAINED FROM D&K NATIONWIDE COMMUNICATIONS, INC. DATED MARCH 2, 2016.
- CONTRACTOR TO VERIFY REQUIRED CLEARANCES INCLUDING BUT NOT LIMITED TO EXISTING BUILDINGS, EQUIPMENT PADS AND SHELTERS PRIOR TO COMMENCING WORK.
- THE CONTRACTOR IS RESPONSIBLE FOR THE STABILITY OF THE STRUCTURE DURING CONSTRUCTION. NO MEMBER OF THE TOWER SHALL BE LEFT DISCONNECTED FOR THE NEXT WORKING DAY. THE CONTRACTOR SHALL BE AWARE OF WEATHER AND WIND CONDITIONS AND NOT PERFORM MEMBER REPLACEMENT IN A WIND.

STRUCTURAL NOTES

STRUCTURAL STEEL MATERIAL:

ALL STRUCTURAL STEEL MEMBERS AND HSS TUBING USED FOR REINFORCING SHALL BE MINIMUM 50 KSI WITH THE BELOW EXCEPTIONS:
 ANGLE SIZE 2-1/2"x2-1/2"x3/16" AND SMALLER A36
 STRUCTURAL PLATES A36

STRUCTURAL STEEL SHALL CONFORM TO ALL THE REQUIREMENTS OF THE ASTM SPECIFICATION, AS REFERENCED IN THE CODE.

UNLESS OTHERWISE NOTED, ALL STEEL WILL BE GALVANIZED IN ACCORDANCE WITH ASTM 123 AFTER FABRICATION. TOUCH UP ALL DAMAGED GALVANIZED STEEL WITH APPROVED COLD ZINC, "GALVANOX", "DRY GALV", "ZINC-IT", OR APPROVED EQUIVALENT, IN ACCORDANCE WITH MANUFACTURERS GUIDELINES. TOUCH-UP DAMAGED NON GALVANIZED STEEL WITH SAME PAINT APPLIED IN SHOP OR FIELD.

SHOP AND ERECTION DRAWINGS SHALL BE SUBMITTED FOR ALL STRUCTURAL STEEL WORK IN ACCORDANCE WITH THE CONTRACT DOCUMENTS. SUBMIT 2 SETS OF PRINTS FOR THE ENGINEER REVIEW.

MILL BEARING ENDS OF COLUMNS, STIFFENERS, AND OTHER BEARING SURFACES TO TRANSFER LOAD OVER ENTIRE CROSS SECTION.

THE OMISSION OF ANY MATERIAL THAT WAS SHOWN ON THE CONTRACT DRAWINGS SHALL NOT RELIEVE THE CONTRACTOR OF PROVIDING THE SAME.

CONNECTIONS / FIELD ASSEMBLY:

BOLTED CONNECTIONS: UNLESS OTHERWISE NOTED, ALL JOINTS ARE SLIP CRITICAL TYPE, REQUIRING 5/8" & 3/4" DIA. A325-N & A490-X BOLTS, A563 NUTS AND F436 WASHERS, ALL GALVANIZED. BEVELED WASHERS SHALL BE USED ON BEAM FLANGES HAVING A SLOPE GREATER THAN 1:20.

STRUCTURE IS DESIGNED TO BE LEVEL AND PLUMB, SELF-SUPPORTING AND STABLE AFTER WORK IS COMPLETED.

COMMENCEMENT OF WORK WITHOUT NOTIFYING THE ENGINEER OF ANY DISCREPANCIES WILL BE CONSIDERED ACCEPTANCE OF PRECEDING WORK.

INSPECTIONS:

SPECIAL INSPECTIONS ARE REQUIRED PER THE CODE FOR STRUCTURAL STEEL WORK.

OWNER WILL SUPPLY THE SERVICES OF A SPECIAL INSPECTOR AND TESTING AGENTS AS REQUIRED. CONTRACTOR SHALL COORDINATE INSPECTIONS OF FABRICATOR'S AND ERECTOR'S WORK AND MATERIALS TO MEET THE REQUIREMENTS OF THE STATEMENT OF SPECIAL INSPECTIONS FOR THIS PROJECT.

COPIES OF TESTING AND INSPECTION REPORTS WILL BE PROVIDED TO THE OWNER, BUILDING OFFICIAL, ENGINEER OF RECORD AND CONTRACTOR.



PROJECT NO.
60537397

Designed by:
MCD

Drawn by:
GAT

Checked by:
ICA

Approved by:
RAS

AECOM

500 ENTERPRISE DRIVE
ROCKY HILL, CONNECTICUT
(860)-529-8882



SITE ADDRESS: BUTTERNUT HOLLOW ROAD
GREENWICH, CONNECTICUT 06831

REV.	DATE:	DESCRIPTION
4	07/31/19	RE-ISSUED/NO CHANGE
3	10/11/18	RE-ISSUED
2	10/03/18	RE-ISSUED

Scale: AS NOTED Date: 03/20/18

Job No.

File No.

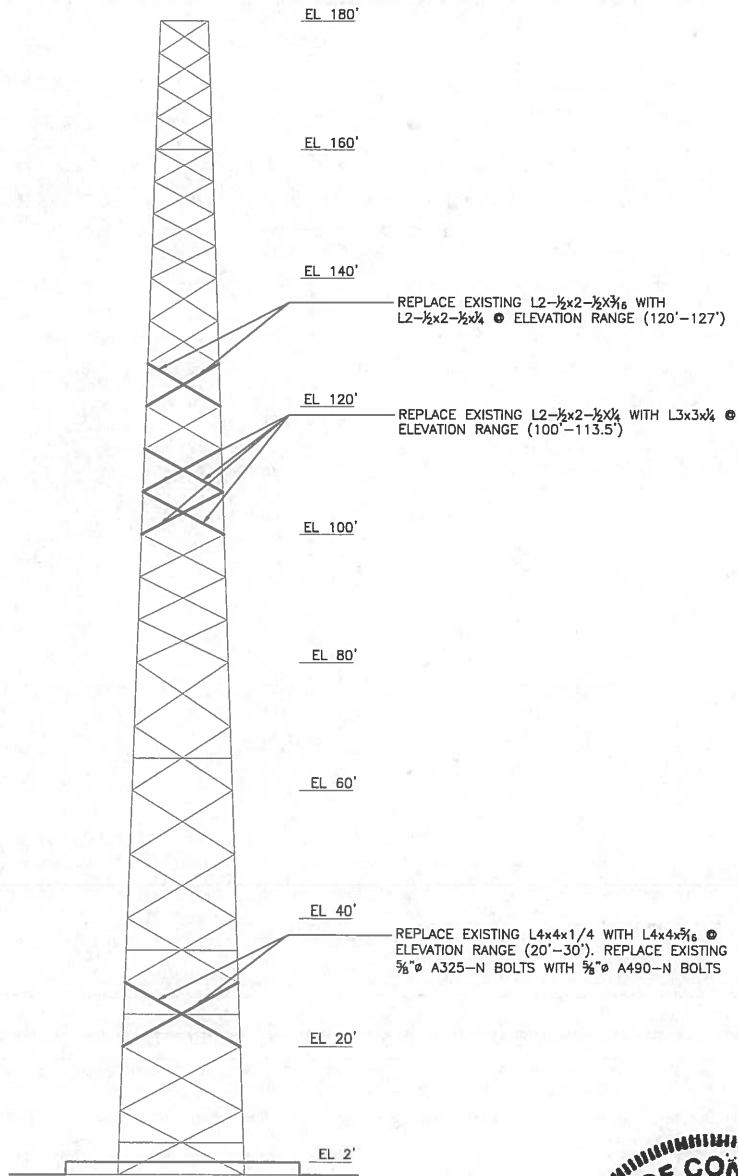
Dwg. No.

SK-1

Dwg. 1 of 5

NOTES:

1. REFER TO STRUCTURAL NOTES ON SK-1 FOR STEEL GRADE REQUIREMENTS FOR REPLACEMENT MEMBERS.
2. REINFORCEMENT OF TOWER IS REQUIRED FOR ALL 3 SIDES OF EXISTING EXTERIOR TOWER STRUCTURE.
3. CONNECTION BOLTS THAT ARE REMOVED DURING MEMBER REPLACEMENT SHALL BE REPLACED IN KIND, UNLESS NOTED OTHERWISE. EXISTING BOLTS SHALL NOT BE RE-USED FOR CONNECTING REPLACEMENT MEMBERS.
4. CONTRACTOR SHALL COORDINATE WITH ROHN INC. FOR INDICATED TOWER REPLACEMENT MEMBERS AS SHOWN.
5. CONTRACTOR SHALL VERIFY INFORMATION SHOWN ON THIS SHEET PRIOR TO ORDERING MATERIALS.
6. THE BOTTOM 2 FEET OF THE TOWER'S LEGS AND DIAGONAL MEMBERS ARE ENCASED IN CONCRETE, PART OF A PREVIOUS FOUNDATION MODIFICATION.



1 TOWER ELEVATION - EXTERIOR TOWER
 SK-2 SCALE: 1" = 30'-0" (INTERIOR TOWER NOT SHOWN FOR CLARITY)



PROJECT NO.
60537397
 Designed by:
MCD
 Drawn by:
GAT
 Checked by:
ICA
 Approved by:
RAS

AECOM
 500 ENTERPRISE DRIVE
 ROCKY HILL, CONNECTICUT
 (860)-529-8882

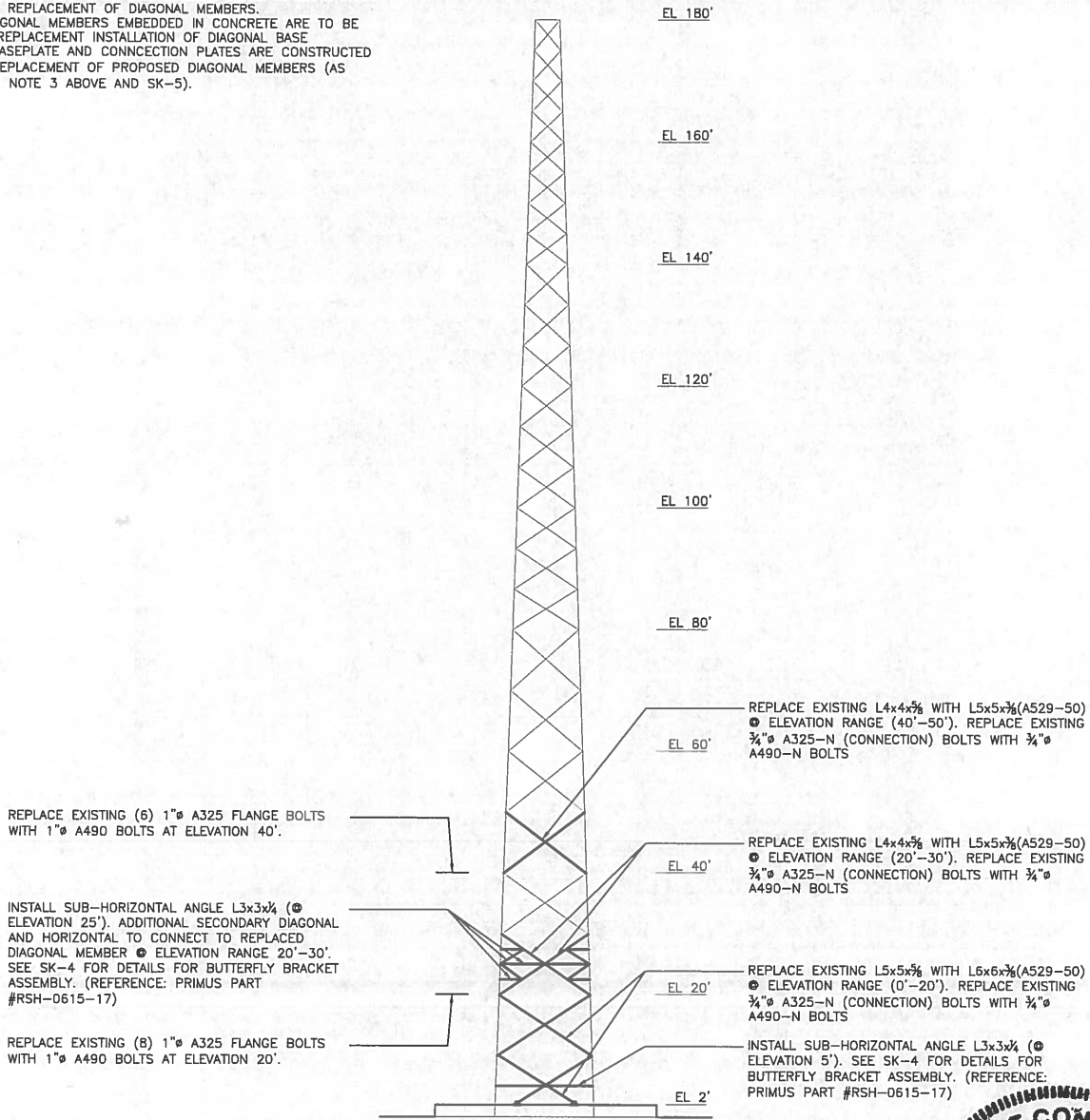
AT&T | Sprint | T-Mobile | verizon
 SITE ADDRESS: BUTTERNUT HOLLOW ROAD
 GREENWICH, CONNECTICUT 06831

4	07/31/19	RE-ISSUED/NO CHANGE
3	10/11/18	RE-ISSUED
2	10/03/18	RE-ISSUED
REV.	DATE:	DESCRIPTION
Scale: AS NOTED		Date: 03/20/18
Job No.	File No.	Dwg. 2 of 5

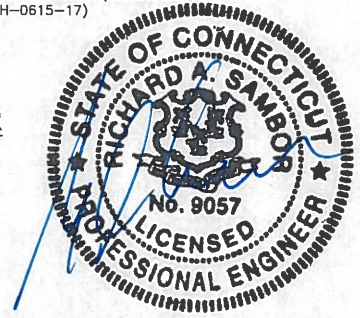
Dwg. No.
SK-2

NOTES:

1. REFER TO STRUCTURAL NOTES ON SK-1 FOR STEEL GRADE REQUIREMENTS FOR REPLACEMENT MEMBERS.
2. REINFORCEMENT OF TOWER IS REQUIRED FOR ALL 3 SIDES OF EXISTING INTERIOR TOWER STRUCTURE.
3. CONNECTION BOLTS THAT ARE REMOVED DURING MEMBER REPLACEMENT SHALL BE REPLACED IN KIND, UNLESS NOTED OTHERWISE. EXISTING BOLTS SHALL NOT BE RE-USED FOR CONNECTING REPLACEMENT MEMBERS.
4. CONTRACTOR SHALL VERIFY INFORMATION SHOWN ON THIS SHEET PRIOR TO ORDERING MATERIALS.
5. THE BOTTOM 2 FEET OF THE TOWER'S LEGS AND DIAGONAL MEMBERS ARE ENCASED IN CONCRETE, PART OF A PREVIOUS FOUNDATION MODIFICATION.
6. EXISTING TOWER DIAGONAL MEMBERS AT ELEVATION 0'-2' RANGE ARE ENCASED IN CONCRETE. CONTRACTOR SHALL PROVIDE TEMPORARY SUPPORT OF TOWER STRUCTURE DURING CONSTRUCTION OF PROPOSED DIAGONAL BASE CONNECTIONS. REFER TO SK-5 FOR DETAILS FOR REPLACEMENT OF DIAGONAL MEMBERS.
7. EXISTING DIAGONAL MEMBERS EMBEDDED IN CONCRETE ARE TO BE CUT AFTER REPLACEMENT INSTALLATION OF DIAGONAL BASE ANCHORS, BASEPLATE AND CONNECTION PLATES ARE CONSTRUCTED TO ALLOW REPLACEMENT OF PROPOSED DIAGONAL MEMBERS (AS INDICATED IN NOTE 3 ABOVE AND SK-5).



1 TOWER ELEVATION - INTERIOR TOWER
 SK-3 SCALE: 1" = 30'-0" (EXTERIOR TOWER NOT SHOWN FOR CLARITY)



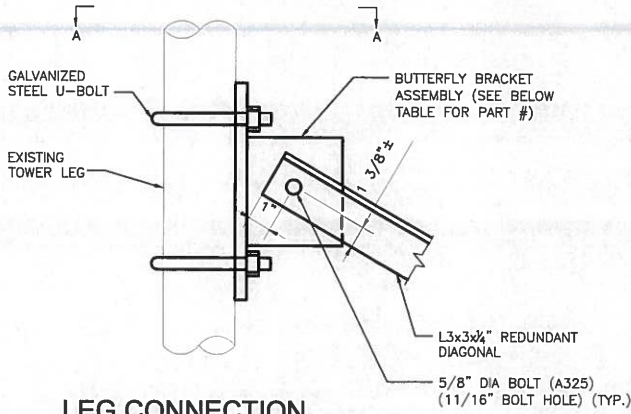
PROJECT NO.
60537397
 Designed by:
MCD
 Drawn by:
GAT
 Checked by:
ICA
 Approved by:
RAS

AECOM
 500 ENTERPRISE DRIVE
 ROCKY HILL, CONNECTICUT
 (860)-529-8882

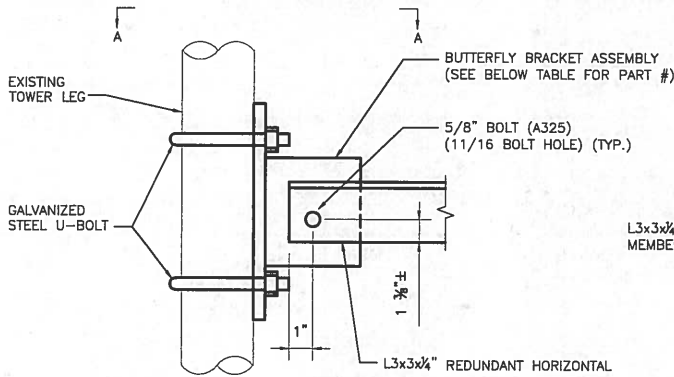
AT&T | Sprint | T-Mobile | verizon
 SITE ADDRESS: BUTTERNUT HOLLOW ROAD
 GREENWICH, CONNECTICUT 06831

4	07/31/19	RE-ISSUED/NO CHANGE
3	10/11/18	RE-ISSUED
2	10/03/18	RE-ISSUED
REV.	DATE:	DESCRIPTION
Scale: AS NOTED		Date: 03/20/18
Job No.	File No.	Dwg. 3 of 5

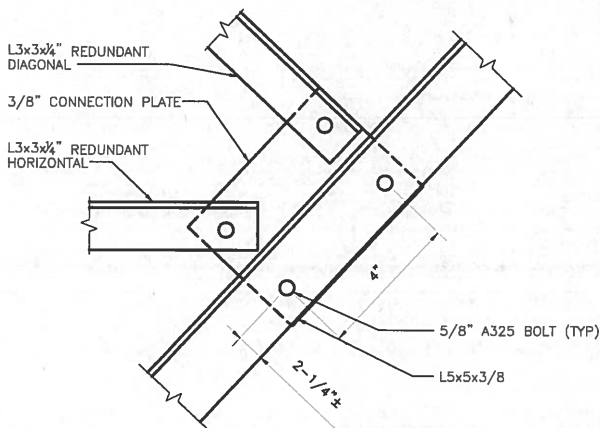
Dwg. No.
SK-3



3
SK-4
LEG CONNECTION REDUNDANT DIAGONAL
SCALE: 1-1/2"=1'-0"



2
SK-4
LEG CONNECTION REDUNDANT HORIZONTAL
SCALE: 1-1/2"=1'-0"



1
SK-4
REDUNDANT MEMBER CONNECTION
SCALE: 1-1/2"=1'-0"

ELEVATION	LEG BUTTERFLY BRACKET #
2'-10'	RSH-0500-00
20'-30'	RSH-0500-00

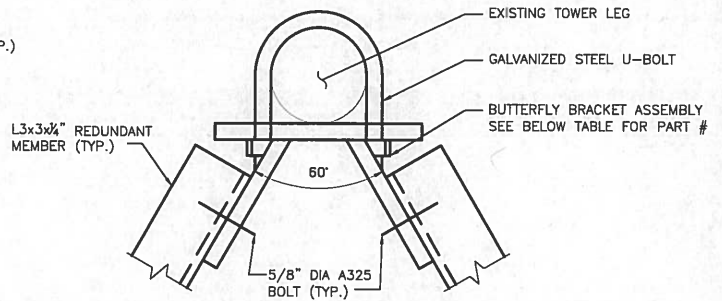
NOTE: LEG BUTTERFLY BRACKET ASSEMBLY INFORMATION FROM PRIMUS ELECTRONICS CORPORATION. CONTRACTOR SHALL USE PRODUCTS SIMILAR TO OR EXCEEDING IN QUALITY FOR CONSTRUCTION.

NOTE:

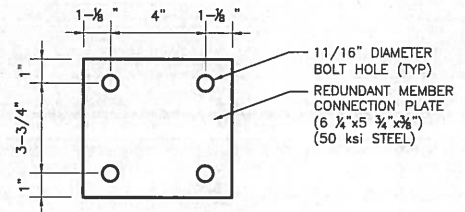
- DETAILS 2 & 3 ABOVE INDICATE CONNECTIONS OF DIAGONAL AND HORIZONTAL MEMBERS TO TOWER LEGS. BUTTERFLY BRACKET ASSEMBLIES USED FOR CONNECTION TO EXISTING LEGS SHALL BE INSTALLED AS CLOSE TO EXISTING ADJOINING HORIZONTAL MEMBER AS POSSIBLE.

NOTES:

- REFER TO SK-1 FOR STRUCTURAL NOTES. COORDINATE SHEET WITH SK-3 FOR SECONDARY HORIZONTAL/DIAGONAL CONNECTION MEMBERS.
- CONTRACTOR SHALL FIELD VERIFY DIMENSIONS SHOWN PRIOR TO ORDERING SUPPLIES.
- U-BOLTED CONNECTION ASSEMBLIES CONNECTING THE EXTERIOR AND INTERIOR TOWERS ARE PERMITTED TO BE ADJUSTED ONE UNIT AT A TIME TO ALLOW THE INSTALLATION OF THE PROPOSED BUTTERFLY BRACKET ASSEMBLIES INDICATED HERE AND ON SHEET SK-3.



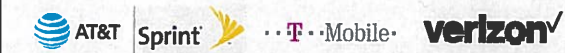
5
SK-4
SECTION A
SCALE: N.T.S.



4
SK-4
CONNECTION PLATE
SCALE: 1-1/2"=1'-0"

PROJECT NO.
60537397
Designed by:
MCD
Drawn by:
GAT
Checked by:
ICA
Approved by:
RAS

AECOM
500 ENTERPRISE DRIVE
ROCKY HILL, CONNECTICUT
(860)-529-8882



SITE ADDRESS: BUTTERNUT HOLLOW ROAD
GREENWICH, CONNECTICUT 06831

REV.	DATE	DESCRIPTION
4	07/31/19	RE-ISSUED/NO CHANGE
3	10/11/18	RE-ISSUED
2	10/03/18	RE-ISSUED

Dwg. No.

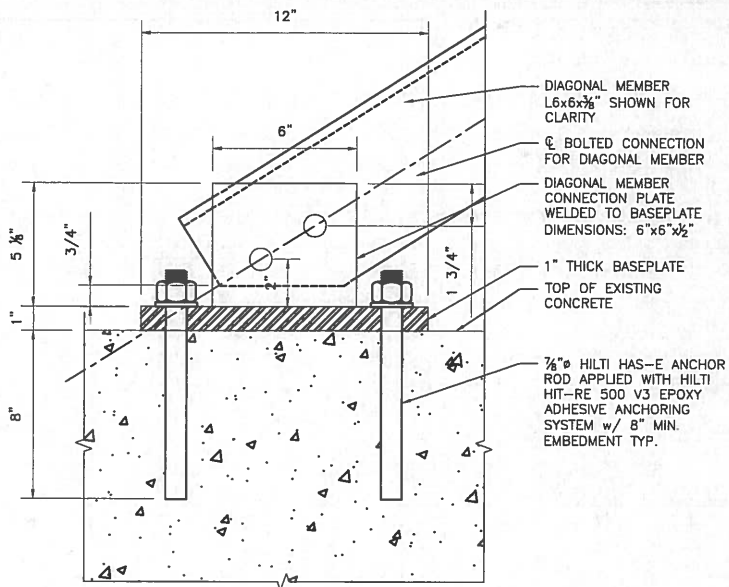
SK-4

Scale: AS NOTED Date: 03/20/18

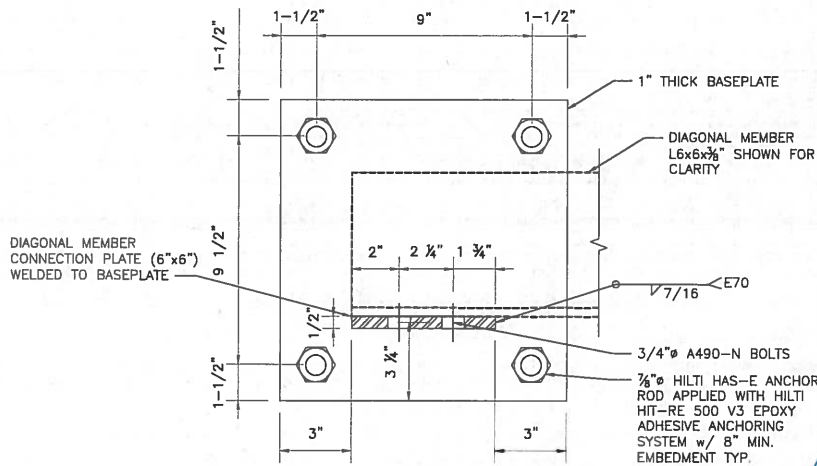
Job No.

File No.

Dwg. 4 of 5



2 DIAGONAL BASE ANCHOR - ELEVATION VIEW
 SK-5 SCALE: 1-1/2"=1'-0"



1 DIAGONAL BASE ANCHOR - PLAN VIEW
 SK-5 SCALE: 1-1/2"=1'-0"



PROJECT NO.
60537397
 Designed by:
MCD
 Drawn by:
GAT
 Checked by:
ICA
 Approved by:
RAS

AECOM
 500 ENTERPRISE DRIVE
 ROCKY HILL, CONNECTICUT
 (860)-529-8882



SITE ADDRESS: BUTTERNUT HOLLOW ROAD
 GREENWICH, CONNECTICUT 06831

4	07/31/19	RE-ISSUED/NO CHANGE
3	10/11/18	RE-ISSUED
2	10/03/18	RE-ISSUED
REV.	DATE:	DESCRIPTION

Dwg. No.

SK-5

Scale: AS NOTED Date: 03/20/18

Job No. File No. Dwg. 5 of 5

CALCULATIONS COVER PAGE

A Note Regarding the Tower Calculations included herein:

The computer program utilized for the structural analysis contained in this report was “PLS-Tower”, Version 10.62. This program does not apply multiple wind attack angles to greatest stress. As a result, multiple analyses with different wind attack angles were run in order to arrive at the controlling condition causing the greatest stress. This report includes only the TIA-222-G load case and wind attack angle that causes the greatest stress to the tower members in order to minimize the size of this report. The analyses conducted but not included with this report are available upon request.

PLS-TOWER INPUT / OUTPUT SUMMARY

Project Name : Multi-Carrier Analysis
 Project Notes: Butternut Hollow
 Project File : p:\projects\telcom\structuralsbylocation\connecticut\greenwichcsp#74\14-vzw adds to # 13_pls_g\pls-tower_wind_0\4-carir.tow
 Date run : 3:01:51 PM Wednesday, July 31, 2019
 by : Tower Version 10.62
 Licensed to : URS Connecticut

Successfully performed nonlinear analysis

Unusual number of fixed joints found: 6. Towers normally have from between 1 and 4 fixed joints. ??
 Linear appurtenance "DNK1-7/8" @ 56`" is included in the face zone (face solidity ratio for Rev. F), but does not contribute to wind load: this is nonsensical ??
 Linear appurtenance "DNK2-7/8" @ 54`" is included in the face zone (face solidity ratio for Rev. F), but does not contribute to wind load: this is nonsensical ??
 Linear appurtenance "DNK3-7/8" @ 60`" is included in the face zone (face solidity ratio for Rev. F), but does not contribute to wind load: this is nonsensical ??
 Linear appurtenance "DNK4-7/8" @ 65`" is included in the face zone (face solidity ratio for Rev. F), but does not contribute to wind load: this is nonsensical ??
 Linear appurtenance "DNK5-1-5/8" @ 82`" is included in the face zone (face solidity ratio for Rev. F), but does not contribute to wind load: this is nonsensical ??
 Linear appurtenance "DNK6-Hybriflex Cables @ Sprint" is included in the face zone (face solidity ratio for Rev. F), but does not contribute to wind load: this is nonsensical ??
 Linear appurtenance "DNK7-7/8" @ 110`" is included in the face zone (face solidity ratio for Rev. F), but does not contribute to wind load: this is nonsensical ??
 Linear appurtenance "DNK8-7/8" @ 122`" is included in the face zone (face solidity ratio for Rev. F), but does not contribute to wind load: this is nonsensical ??
 Linear appurtenance "DNK9-7/8" @ 122`" is included in the face zone (face solidity ratio for Rev. F), but does not contribute to wind load: this is nonsensical ??
 Linear appurtenance "DNK10-1-5/8" @ VZW" is included in the face zone (face solidity ratio for Rev. F), but does not contribute to wind load: this is nonsensical ??
 Linear appurtenance "DNK11-1-5/8" @ 130`" is included in the face zone (face solidity ratio for Rev. F), but does not contribute to wind load: this is nonsensical ??
 Linear appurtenance "DNK12-7/8" @ 135`" is included in the face zone (face solidity ratio for Rev. F), but does not contribute to wind load: this is nonsensical ??
 Linear appurtenance "DNK13,14-1-5/8" @ T-Mobile" is included in the face zone (face solidity ratio for Rev. F), but does not contribute to wind load: this is nonsensical ??
 Linear appurtenance "DNK15-7/8" @ 137`" is included in the face zone (face solidity ratio for Rev. F), but does not contribute to wind load: this is nonsensical ??
 Linear appurtenance "DNK16,17,18-1-5/8" @ ATT" is included in the face zone (face solidity ratio for Rev. F), but does not contribute to wind load: this is nonsensical ??
 Linear appurtenance "DNK16,17,18-Optic Fiber Cable @ ATT" is included in the face zone (face solidity ratio for Rev. F), but does not contribute to wind load: this is nonsensical ??
 Linear appurtenance "DNK16,17,18-DC Cable @ ATT" is included in the face zone (face solidity ratio for Rev. F), but does not contribute to wind load: this is nonsensical ??
 Linear appurtenance "DNK19-7/8" @ 159`" is included in the face zone (face solidity ratio for Rev. F), but does not contribute to wind load: this is nonsensical ??
 Linear appurtenance "DNK20-7/8" @ 159.5`" is included in the face zone (face solidity ratio for Rev. F), but does not contribute to wind load: this is nonsensical ??
 Linear appurtenance "CSP70,71,72-1-5/8" @ 160^(3)" is included in the face zone (face solidity ratio for Rev. F), but does not contribute to wind load: this is nonsensical ??
 Linear appurtenance "CSP73-1/2" @ 160`" is included in the face zone (face solidity ratio for Rev. F), but does not contribute to wind load: this is nonsensical ??
 Linear appurtenance "DNK21-Ellipitical @ 160`" is included in the face zone (face solidity ratio for Rev. F), but does not contribute to wind load: this is nonsensical ??
 Linear appurtenance "DNK22-7/8" @ 165`" is included in the face zone (face solidity ratio for Rev. F), but does not contribute to wind load: this is nonsensical ??
 Linear appurtenance "DNK23A-1-5/8" @ 168`" is included in the face zone (face solidity ratio for Rev. F), but does not contribute to wind load: this is nonsensical ??
 Linear appurtenance "DNK23B-1/2" @ 168`" is included in the face zone (face solidity ratio for Rev. F), but does not contribute to wind load: this is nonsensical ??
 Linear appurtenance "DNK26-B-1-5/8" @ 175`" is included in the face zone (face solidity ratio for Rev. F), but does not contribute to wind load: this is nonsensical ??
 Linear appurtenance "DNK26A-7/8" @ 175`" is included in the face zone (face solidity ratio for Rev. F), but does not contribute to wind load: this is nonsensical ??
 Linear appurtenance "DNK26C-1/2" @ 175`" is included in the face zone (face solidity ratio for Rev. F), but does not contribute to wind load: this is nonsensical ??
 Linear appurtenance "DNK27-B-1-5/8" @ 175`" is included in the face zone (face solidity ratio for Rev. F), but does not contribute to wind load: this is nonsensical ??
 Linear appurtenance "DNK27A-7/8" @ 175`" is included in the face zone (face solidity ratio for Rev. F), but does not contribute to wind load: this is nonsensical ??
 Linear appurtenance "DNK27C-3/8" @ 175`" is included in the face zone (face solidity ratio for Rev. F), but does not contribute to wind load: this is nonsensical ??
 Linear appurtenance "DNK28A-1-5/8" @ 175`" is included in the face zone (face solidity ratio for Rev. F), but does not contribute to wind load: this is nonsensical ??
 Linear appurtenance "DNK28B-1-5/8" @ 175`" is included in the face zone (face solidity ratio for Rev. F), but does not contribute to wind load: this is nonsensical ??
 Linear appurtenance "DNK28C-1-5/8" @ 175`" is included in the face zone (face solidity ratio for Rev. F), but does not contribute to wind load: this is nonsensical ??
 Linear appurtenance "DNK28D-7/8" @ 175`" is included in the face zone (face solidity ratio for Rev. F), but does not contribute to wind load: this is nonsensical ??
 Linear appurtenance "GRN-1-Ellipitical @ 172^(DNK25)" is included in the face zone (face solidity ratio for Rev. F), but does not contribute to wind load: this is nonsensical ??
 Linear appurtenance "VZW-(1) Hybriflex Cables" is included in the face zone (face solidity ratio for Rev. F), but does not contribute to wind load: this is nonsensical ??
 Linear appurtenance "Hybriflex 6x12 Cables @ T-Mobile" is included in the facezone (face solidity ratio for Rev. F), but does not contribute to wind load: this is nonsensical ??
 Linear appurtenance "Hybriflex 9x18 Cables @ T-Mobile" is included in the face zone (face solidity ratio for Rev. F), but does not contribute to wind load: this is nonsensical ??
 The model has 40 warnings. ??

Member check option: ANSI/TIA 222-G-1
 Connection rupture check: ANSI/TIA 222-G-1
 Crossing diagonal check: ANSI/TIA 222-G-1 [Alternate Unsupported RLOUT = 1]
 Loads from file: p:\projects\telcom\structuralsbylocation\connecticut\greenwichcsp#74\14-vzw adds to # 13_pls_g\pls-tower_wind_0\4-carir.eia

*** Analysis Results:

Maximum element usage is 97.93% for Angle "SNB-LH2P" in load case "1: 1.2D + 1.0Dg + 1.6Wo"

Summary of Joint Support Reactions For All Load Cases:

Load Case	Joint Label	Long. Force (kips)	Tran. Force (kips)	Vert. Force (kips)	Shear Force (kips)	Tran. Moment (ft-k)	Long. Moment (ft-k)	Vert. Moment (ft-k)	Bending Moment (ft-k)	Found. Usage %
1: 1.2D + 1.0Dg + 1.6Wo	RohnJP	-28.86	0.10	347.98	28.86	-0.05	-5.40	-0.01	5.40	0.00

1:	1.2D + 1.0Dg + 1.6Wo	SNB-JP	-49.71	0.00	500.22	49.71	0.00	-13.12	0.00	13.12	0.00
1:	1.2D + 1.0Dg + 1.6Wo	RohnJ1	-9.19	-9.74	-144.29	13.39	1.86	-1.36	0.00	2.31	0.00
1:	1.2D + 1.0Dg + 1.6Wo	RohnJ2	-9.38	9.66	-144.59	13.46	-1.81	-1.46	-0.01	2.33	0.00
1:	1.2D + 1.0Dg + 1.6Wo	SNB-J1	-16.94	-18.22	-222.16	24.88	5.30	-2.55	-0.04	5.89	0.00
1:	1.2D + 1.0Dg + 1.6Wo	SNB-J2	-16.96	18.25	-222.63	24.91	-5.31	-2.56	0.04	5.90	0.00
2:	0.9D + 1.0Dg + 1.6Wo	RohnJP	-28.59	0.10	342.58	28.59	-0.05	-5.32	-0.01	5.32	0.00
2:	0.9D + 1.0Dg + 1.6Wo	SNB-JP	-49.56	0.00	495.02	49.56	0.00	-13.00	0.00	13.00	0.00
2:	0.9D + 1.0Dg + 1.6Wo	RohnJ1	-9.33	-9.96	-148.99	13.65	1.92	-1.40	0.00	2.37	0.00
2:	0.9D + 1.0Dg + 1.6Wo	RohnJ2	-9.51	9.88	-149.32	13.72	-1.87	-1.50	-0.01	2.39	0.00
2:	0.9D + 1.0Dg + 1.6Wo	SNB-J1	-17.01	-18.33	-226.45	25.01	5.40	-2.62	-0.04	6.00	0.00
2:	0.9D + 1.0Dg + 1.6Wo	SNB-J2	-17.03	18.36	-226.95	25.04	-5.40	-2.63	0.04	6.01	0.00
4:	1.2D + 1.0Dg + 1.0E	RohnJP	-2.52	0.00	41.46	2.52	-0.00	-0.56	0.00	0.56	0.00
4:	1.2D + 1.0Dg + 1.0E	SNB-JP	-3.04	0.00	49.20	3.04	-0.00	-1.17	-0.00	1.17	0.00
4:	1.2D + 1.0Dg + 1.0E	RohnJ1	0.11	0.32	8.90	0.34	-0.09	0.11	-0.00	0.14	0.00
4:	1.2D + 1.0Dg + 1.0E	RohnJ2	0.10	-0.33	8.99	0.34	0.10	0.10	0.00	0.14	0.00
4:	1.2D + 1.0Dg + 1.0E	SNB-J1	-0.46	-0.54	2.94	0.71	-0.03	0.20	-0.01	0.20	0.00
4:	1.2D + 1.0Dg + 1.0E	SNB-J2	-0.45	0.54	3.04	0.71	0.03	0.20	0.01	0.20	0.00
5:	0.9D + 1.0Dg + 1.0E	RohnJP	-2.25	0.00	36.46	2.25	-0.00	-0.49	0.00	0.49	0.00
5:	0.9D + 1.0Dg + 1.0E	SNB-JP	-2.90	0.00	44.53	2.90	-0.00	-1.05	-0.00	1.05	0.00
5:	0.9D + 1.0Dg + 1.0E	RohnJ1	-0.03	0.09	4.00	0.10	-0.04	0.07	-0.00	0.08	0.00
5:	0.9D + 1.0Dg + 1.0E	RohnJ2	-0.03	-0.10	4.06	0.10	0.04	0.07	0.00	0.08	0.00
5:	0.9D + 1.0Dg + 1.0E	SNB-J1	-0.52	-0.66	-1.61	0.84	0.07	0.14	-0.01	0.15	0.00
5:	0.9D + 1.0Dg + 1.0E	SNB-J2	-0.52	0.66	-1.54	0.84	-0.07	0.14	0.01	0.16	0.00
6: Service	1.0D + 1.0Dg + 1.0 Wo	RohnJP	-7.13	0.02	89.82	7.13	-0.01	-1.38	-0.00	1.38	0.00
6: Service	1.0D + 1.0Dg + 1.0 Wo	SNB-JP	-11.50	0.00	122.99	11.50	-0.00	-3.24	-0.00	3.24	0.00
6: Service	1.0D + 1.0Dg + 1.0 Wo	RohnJ1	-1.72	-1.60	-20.18	2.35	0.28	-0.21	-0.00	0.35	0.00
6: Service	1.0D + 1.0Dg + 1.0 Wo	RohnJ2	-1.76	1.58	-20.19	2.37	-0.27	-0.23	-0.00	0.35	0.00
6: Service	1.0D + 1.0Dg + 1.0 Wo	SNB-J1	-3.62	-3.77	-38.48	5.22	0.95	-0.41	-0.01	1.03	0.00
6: Service	1.0D + 1.0Dg + 1.0 Wo	SNB-J2	-3.62	3.77	-38.52	5.23	-0.95	-0.41	0.01	1.03	0.00
	1.2*DL	RohnJP	-1.07	0.00	19.88	1.07	-0.00	-0.28	-0.00	0.28	0.00
	1.2*DL	SNB-JP	-0.55	0.00	18.52	0.55	-0.00	-0.48	-0.00	0.48	0.00
	1.2*DL	RohnJ1	0.53	0.92	19.69	1.06	-0.24	0.14	-0.00	0.27	0.00
	1.2*DL	RohnJ2	0.53	-0.92	19.78	1.06	0.24	0.14	0.00	0.27	0.00
	1.2*DL	SNB-J1	0.27	0.47	18.28	0.55	-0.41	0.24	-0.00	0.47	0.00
	1.2*DL	SNB-J2	0.28	-0.47	18.38	0.55	0.41	0.24	0.00	0.47	0.00
	0.9DL	RohnJP	-0.80	0.00	14.92	0.80	-0.00	-0.21	-0.00	0.21	0.00
	0.9DL	SNB-JP	-0.41	0.00	13.89	0.41	-0.00	-0.36	-0.00	0.36	0.00
	0.9DL	RohnJ1	0.40	0.69	14.77	0.80	-0.18	0.10	-0.00	0.21	0.00
	0.9DL	RohnJ2	0.40	-0.69	14.84	0.80	0.18	0.10	0.00	0.21	0.00
	0.9DL	SNB-J1	0.21	0.35	13.71	0.41	-0.31	0.18	-0.00	0.35	0.00
	0.9DL	SNB-J2	0.21	-0.36	13.78	0.41	0.31	0.18	0.00	0.36	0.00

Summary of Joint Support Reactions For All Load Cases in Direction of Leg:

Load Case	Support Joint	Origin Joint	Leg Member	Force In Leg Dir.	Residual Perpendicular	Shear To Leg	Residual Horizontal To Leg	Shear - Res. Horizontal To Leg	Residual Horizontal To Leg	Shear - Tran. Horizontal To Leg	Total Long. Force (kips)	Total Tran. Force (kips)	Total Vert. Force (kips)
1: 1.2D + 1.0Dg + 1.6Wo	RohnJP	RohnIaS	Rohn-LI2P	348.846	15.102	15.114	-0.098	15.114	-28.86	0.10	347.98		
1: 1.2D + 1.0Dg + 1.6Wo	SNB-JP	SNB-IaS	SNB-LI2P	501.792	29.999	30.022	-0.002	30.022	-49.71	0.00	500.22		
1: 1.2D + 1.0Dg + 1.6Wo	RohnJ1	RohnIa1	Rohn-LI21	-144.691	7.950	7.956	4.803	6.342	-9.19	-9.74	-144.29		
1: 1.2D + 1.0Dg + 1.6Wo	RohnJ2	RohnIa2	Rohn-LI22	-144.993	8.041	8.046	-4.711	6.522	-9.38	9.66	-144.59		
1: 1.2D + 1.0Dg + 1.6Wo	SNB-J1	SNB-Ia1	SNB-LI21	-222.944	16.461	16.472	10.646	12.570	-16.94	-18.22	-222.16		
1: 1.2D + 1.0Dg + 1.6Wo	SNB-J2	SNB-Ia2	SNB-LI22	-223.417	16.478	16.489	-10.661	12.578	-16.96	18.25	-222.63		
2: 0.9D + 1.0Dg + 1.6Wo	RohnJP	RohnIaS	Rohn-LI2P	343.443	15.047	15.058	-0.098	15.058	-28.59	0.10	342.58		
2: 0.9D + 1.0Dg + 1.6Wo	SNB-JP	SNB-IaS	SNB-LI2P	496.589	30.060	30.084	-0.001	30.084	-49.56	0.00	495.02		
2: 0.9D + 1.0Dg + 1.6Wo	RohnJ1	RohnIa1	Rohn-LI21	-149.403	8.023	8.028	4.868	6.384	-9.33	-9.96	-148.99		
2: 0.9D + 1.0Dg + 1.6Wo	RohnJ2	RohnIa2	Rohn-LI22	-149.727	8.112	8.117	-4.776	6.564	-9.51	9.88	-149.32		
2: 0.9D + 1.0Dg + 1.6Wo	SNB-J1	SNB-Ia1	SNB-LI21	-227.234	16.428	16.439	10.611	12.557	-17.01	-18.33	-226.45		
2: 0.9D + 1.0Dg + 1.6Wo	SNB-J2	SNB-Ia2	SNB-LI22	-227.731	16.444	16.456	-10.626	12.565	-17.03	18.36	-226.95		
4: 1.2D + 1.0Dg + 1.0E	RohnJP	RohnIaS	Rohn-LI2P	41.526	0.882	0.883	-0.003	0.883	-2.52	0.00	41.46		
4: 1.2D + 1.0Dg + 1.0E	SNB-JP	SNB-IaS	SNB-LI2P	49.282	1.100	1.101	-0.001	1.101	-3.04	0.00	49.20		
4: 1.2D + 1.0Dg + 1.0E	RohnJ1	RohnIa1	Rohn-LI21	8.905	0.071	0.071	-0.019	0.069	0.11	0.32	8.90		
4: 1.2D + 1.0Dg + 1.0E	RohnJ2	RohnIa2	Rohn-LI22	8.996	0.076	0.076	0.020	0.073	0.10	-0.33	8.99		
4: 1.2D + 1.0Dg + 1.0E	SNB-J1	SNB-Ia1	SNB-LI21	2.908	0.824	0.824	0.644	0.514	-0.46	-0.54	2.94		
4: 1.2D + 1.0Dg + 1.0E	SNB-J2	SNB-Ia2	SNB-LI22	3.009	0.826	0.826	-0.647	0.514	-0.45	0.54	3.04		
5: 0.9D + 1.0Dg + 1.0E	RohnJP	RohnIaS	Rohn-LI2P	36.518	0.814	0.814	-0.003	0.814	-2.25	0.00	36.46		
5: 0.9D + 1.0Dg + 1.0E	SNB-JP	SNB-IaS	SNB-LI2P	44.607	1.148	1.148	-0.001	1.148	-2.90	0.00	44.53		

5: 0.9D + 1.0Dg + 1.0E	RohnJ1	RohnIa1	Rohn-LI21	3.996	0.112	0.112	0.042	0.104	-0.03	0.09	4.00	
5: 0.9D + 1.0Dg + 1.0E	RohnJ2	RohnIa2	Rohn-LI22	4.064	0.116	0.117	-0.041	0.109	-0.03	-0.10	4.06	
5: 0.9D + 1.0Dg + 1.0E	SNB-J1	SNB-Ia1	SNB-LI21	-1.645	0.781	0.781	0.606	0.493	-0.52	-0.66	-1.61	
5: 0.9D + 1.0Dg + 1.0E	SNB-J2	SNB-Ia2	SNB-LI22	-1.569	0.782	0.783	-0.608	0.493	-0.52	0.66	-1.54	
6: Service 1.0D + 1.0Dg + 1.0	Wo	RohnJP	RohnIaS	Rohn-LI2P	90.036	3.582	3.585	-0.023	3.585	-7.13	0.02	89.82
6: Service 1.0D + 1.0Dg + 1.0	Wo	SNB-JP	SNB-IaS	SNB-LI2P	123.345	6.653	6.658	-0.001	6.658	-11.50	0.00	122.99
6: Service 1.0D + 1.0Dg + 1.0	Wo	RohnJ1	RohnIa1	Rohn-LI21	-20.254	1.603	1.604	0.908	1.322	-1.72	-1.60	-20.18
6: Service 1.0D + 1.0Dg + 1.0	Wo	RohnJ2	RohnIa2	Rohn-LI22	-20.266	1.625	1.626	-0.889	1.361	-1.76	1.58	-20.19
6: Service 1.0D + 1.0Dg + 1.0	Wo	SNB-J1	SNB-Ia1	SNB-LI21	-38.649	3.769	3.771	2.456	2.862	-3.62	-3.77	-38.48
6: Service 1.0D + 1.0Dg + 1.0	Wo	SNB-J2	SNB-Ia2	SNB-LI22	-38.690	3.773	3.776	-2.461	2.864	-3.62	3.77	-38.52
1.2*DL	RohnJP	RohnIaS	Rohn-LI2P	19.911	0.280	0.280	-0.001	0.280	-1.07	0.00	19.88	
1.2*DL	SNB-JP	SNB-IaS	SNB-LI2P	18.526	0.180	0.180	-0.001	-0.180	-0.55	0.00	18.52	
1.2*DL	RohnJ1	RohnIa1	Rohn-LI21	19.713	0.284	0.284	-0.246	-0.143	0.53	0.92	19.69	
1.2*DL	RohnJ2	RohnIa2	Rohn-LI22	19.804	0.282	0.282	0.244	-0.142	0.53	-0.92	19.78	
1.2*DL	SNB-J1	SNB-Ia1	SNB-LI21	18.286	0.173	0.173	0.151	0.085	0.27	0.47	18.28	
1.2*DL	SNB-J2	SNB-Ia2	SNB-LI22	18.387	0.176	0.176	-0.154	0.085	0.28	-0.47	18.38	
0.9DL	RohnJP	RohnIaS	Rohn-LI2P	14.935	0.211	0.211	-0.001	0.211	-0.80	0.00	14.92	
0.9DL	SNB-JP	SNB-IaS	SNB-LI2P	13.892	0.134	0.134	-0.001	-0.134	-0.41	0.00	13.89	
0.9DL	RohnJ1	RohnIa1	Rohn-LI21	14.788	0.214	0.214	-0.185	-0.107	0.40	0.69	14.77	
0.9DL	RohnJ2	RohnIa2	Rohn-LI22	14.856	0.212	0.212	0.183	-0.107	0.40	-0.69	14.84	
0.9DL	SNB-J1	SNB-Ia1	SNB-LI21	13.712	0.129	0.129	0.112	0.064	0.21	0.35	13.71	
0.9DL	SNB-J2	SNB-Ia2	SNB-LI22	13.788	0.131	0.131	-0.115	0.064	0.21	-0.36	13.78	

EIA Sections Information:

Section Label	Top Z (ft)	Bottom Z (ft)	Joint Count	Member Count	Top Width (ft)	Bottom Width (ft)	Gross Area (ft^2)	Face Adjust Factor	Ar Adjust Factor	Dead Load
A	180.000	160.000	36	111	7.50	8.87	163.75	0.9000	0.9000	1.000
B	160.000	140.000	33	93	8.87	10.23	191.05	0.9000	0.9000	1.000
C	140.000	120.000	27	72	10.23	11.60	218.31	0.9000	0.9000	1.000
D	120.000	100.000	27	72	11.60	12.96	245.54	0.9000	0.9000	1.000
E	100.000	80.000	27	72	12.96	14.32	272.78	0.9000	0.9000	1.000
F	80.000	60.000	21	51	14.32	15.68	300.04	0.9000	0.9000	1.000
G	60.000	40.000	21	51	15.68	17.05	327.29	0.9000	0.9000	1.000
H	40.000	20.000	21	51	17.05	18.41	354.57	0.9000	0.9000	1.000
I	20.000	0.000	18	39	18.41	19.78	381.92	0.9000	0.9000	1.000

Printed capacities do not include the strength factor entered for each load case.
The Group Summary reports on the member and load case that resulted in maximum usage which may not necessarily be the same as that which produces maximum force.

Group Summary (Compression Portion):

Group Label	Group Desc.	Angle Type	Angle Size	Steel Strength (ksi)	Max Usage (%)	Max Use In Comp. (%)	Comp. Control Member	Comp. Force (kips)	Comp. Control Load Case	L/R Capacity (kips)	Comp. Conn. Shear Capacity (kips)	Comp. Conn. Bearing Capacity (kips)	RLX	RLY	RLZ	L/R Length (ft)	Curve Comp. Member (ft)	No. Comp.	No. Bolts
Rohn-D1	Rohn Diagonal 1	SAE	1.75X1.75X0.1875	36.0	39.87	39.87	Rohn-DA61	-1.9241:	1.2D +	4.825	12.433	13.050	0.500	0.500	0.500	170.38	9.740	4	1
Rohn-D2	Rohn Diagonal 2	SAE	2X2X0.1875	36.0	84.67	84.67	Rohn-DB61	-4.8991:	1.2D +	5.786	12.433	13.050	0.500	0.500	0.500	166.50	10.934	4	1
Rohn-D3	Rohn Diagonal 3	SAE	2.5X2.5X0.1875	36.0	79.74	79.74	Rohn-DC41	-6.7521:	1.2D +	8.468	12.433	13.050	0.500	0.500	0.500	155.13	12.798	4	1
Rohn-D4	Rohn Diagonal 4	SAE	2.5X2.5X0.25	36.0	84.74	84.74	Rohn-DD21	-8.2851:	1.2D +	9.776	12.433	17.400	0.500	0.500	0.500	165.83	13.570	4	1
Rohn-D5	Rohn Diagonal 5	SAE	3X3X0.25	50.0	76.24	76.24	Rohn-DE61	-9.4791:	1.2D +	13.033	12.433	19.500	0.500	0.500	0.500	157.99	15.589	4	1
Rohn-D6	Rohn Diagonal 6	SAE	3.5X3.5X0.25	50.0	91.97	91.97	Rohn-DF32	-11.4341:	1.2D +	15.227	12.433	19.500	0.500	0.500	0.500	158.34	18.315	4	1
Rohn-D7	Rohn Diagonal 7	SAE	4X4X0.25	50.0	80.02	80.02	Rohn-DH12	-9.9501:	1.2D +	19.124	12.433	19.500	0.500	0.500	0.500	151.38	20.058	4	1
Rohn-L1	Rohn Leg 1	Pipe	Pipe3EH	50.0	10.72	10.72	Rohn-LA4P	-11.1471:	1.2D +	103.968	0.000	0.000	1.000	1.000	1.000	52.67	5.004	1	0
Rohn-L2	Rohn Leg 2	Pipe	Pipe3.5EH	50.0	28.98	28.98	Rohn-LB4P	-38.4671:	1.2D +	132.756	0.000	0.000	1.000	1.000	1.000	45.84	5.004	1	0
Rohn-L3	Rohn Leg 3	Pipe	Pipe4EH	50.0	50.76	50.76	Rohn-LC3P	-76.3891:	1.2D +	150.478	0.000	0.000	1.000	1.000	1.000	54.04	6.665	1	0
Rohn-L4	Rohn Leg 4	Pipe	Pipe5STD	50.0	80.43	80.43	Rohn-LD3P	-127.7781:	1.2D +	158.870	0.000	0.000	1.000	1.000	1.000	42.54	6.665	1	0
Rohn-L5	Rohn Leg 5	Pipe	Pipe5EH	50.0	76.59	76.59	Rohn-LE3P	-171.9681:	1.2D +	224.520	0.000	0.000	1.000	1.000	1.000	43.23	6.665	1	0
Rohn-L6	Rohn Leg 6	Pipe	Pipe6EHS	50.0	78.92	78.92	Rohn-LF1P	-192.3891:	1.2D +	243.786	0.000	0.000	1.000	1.000	1.000	54.10	10.008	1	0
Rohn-L7	Rohn Leg 7	Pipe	Pipe6EH	50.0	91.06	91.06	Rohn-LG2P	-259.6901:	1.2D +	285.178	0.000	0.000	1.000	1.000	1.000	54.59	10.008	1	0
Rohn-L8	Rohn Leg 8	Pipe	Pipe8EHS	50.0	81.91	81.91	Rohn-LI1P	-322.2241:	1.2D +	393.385	0.000	0.000	1.000	1.000	1.000	40.57	10.008	1	0
Rohn-H1	Rohn Horizontal 1	SAE	1.75X1.75X0.1875	36.0	2.54	2.54	Rohn-H12	-0.2061:	1.2D +	8.108	0.000	0.000	0.500	0.500	0.500	131.28	7.505	4	0
SNB-D1	SNB Diagonal 1	SAE	2X2X0.3125	36.0	11.96	11.81	SNB-DA72	-1.4681:	1.2D +	19.391	12.433	21.750	0.500	0.500	0.500	111.38	7.240	1	1

SNB-L6	SNB Leg 6	Pipe	Pipe10XS	36.0	93.12	41.63	SNB-LI22	217.1712: 0.9D +	521.639	0.000	0.000	0.000	10.008	0	0.000	0
Connect	Connect Towers	BIG	0.1X0.1X1	36.0	0.03	0.03	Connect IP	6.9881: 1.2D +	25919.960	0.000	0.000	0.000	2.002	0	0.000	0
SNB-H1	SNB Horizontal 1	Pipe	P3-425	36.0	2.13	1.50	SNB-H4eP	1.9891: 1.2D +	133.002	0.000	0.000	0.000	4.066	0	0.000	0
SNB-H2	SNB Horizontal 2	Pipe	P4-494	36.0	3.85	1.81	SNB-H9bP	3.6451: 1.2D +	201.204	0.000	0.000	0.000	7.472	0	0.000	0
Rohn-D8	Rohn Diagonal 8	SAE	2X2X0.375	36.0	0.00	0.00		0.000	0.000	0.000	0.000	0.000	0.000	0	0.000	0
WLAC-1	Wind Lacing 1	SAE	2X2X0.25	36.0	1.64	1.46	SNB-WL-D3P	0.4431: 1.2D +	30.456	0.000	0.000	0.000	4.066	0	0.000	0
WLAC-2	Wind Lacing 2	SAE	2.5X2.5X0.3125	36.0	3.19	1.32	SNB-WL-I3P	0.6251: 1.2D +	47.304	0.000	0.000	0.000	7.472	0	0.000	0
R-D1-MOD	MODIFICATION - L1.75X1.75x3/16	SAE	1.75X1.75X0.1875	50.0	0.00	0.00		0.000	0.000	0.000	0.000	0.000	0.000	0	0.000	0
R-D2-MOD	MODIFICATION - L2X2x3/16	SAE	2X2X0.1875	50.0	0.00	0.00		0.000	0.000	0.000	0.000	0.000	0.000	0	0.000	0
R-D3-MOD	MODIFICATION - L2.5X2.5x1/4	SAE	2.5X2.5X0.25	50.0	85.12	63.22	Rohn-DC5P	7.8602: 0.9D +	37.225	12.433	19.500	14.625	13.177	1	1.000	0.6875
R-D4-MOD	MODIFICATION - L3x3x1/4	SAE	3X3X0.25	50.0	79.91	77.26	Rohn-DD3P	9.6061: 1.2D +	46.366	12.433	19.500	14.625	13.977	1	1.000	0.6875
R-D5-MOD	MODIFICATION - L3X3x1/4	SAE	3X3X0.25	50.0	0.00	0.00		0.000	0.000	0.000	0.000	0.000	0.000	0	0.000	0
R-D6-MOD	MODIFICATION - L3.5X3.5x5/16	SAE	3.5X3.5X0.3125	50.0	0.00	0.00		0.000	0.000	0.000	0.000	0.000	0.000	0	0.000	0
R-D7-MOD	MODIFICATION - L4X4x5/16	SAE	4X4X0.3125	50.0	77.10	69.41	Rohn-DH4P	10.7882: 0.9D +	79.895	15.542	24.375	18.281	20.653	1	1.000	0.6875
S-D1-MOD	MODIFICATION - L2X2x5/16	SAE	2X2X0.3125	50.0	0.00	0.00		0.000	0.000	0.000	0.000	0.000	0.000	0	0.000	0
S-D2-MOD	MODIFICATION - L2x2x1/4	SAE	2X2X0.25	50.0	0.00	0.00		0.000	0.000	0.000	0.000	0.000	0.000	0	0.000	0
S-D3-MOD	MODIFICATION - L2.5X2.5x5/16	SAE	2.5X2.5X0.3125	50.0	0.00	0.00		0.000	0.000	0.000	0.000	0.000	0.000	0	0.000	0
S-D4-MOD	MODIFICATION - L3.5X3.5x3/8	SAE	3.5X3.5X0.375	50.0	0.00	0.00		0.000	0.000	0.000	0.000	0.000	0.000	0	0.000	0
S-D5-MOD	MODIFICATION - L4X4x0.5	SAE	4X4X0.5	50.0	0.00	0.00		0.000	0.000	0.000	0.000	0.000	0.000	0	0.000	0
S-D6-MOD	MODIFICATION - L5X5x3/8	SAE	5X5X0.375	50.0	64.45	57.78	SNB-DG4P	12.9291: 1.2D +	120.850	22.376	35.100	26.471	16.594	1	1.000	0.8125
S-D7-MOD	MODIFICATION - L6X6x3/8	SAE	6X6X0.375	50.0	88.55	76.56	SNB-DI4P	17.1321: 1.2D +	148.272	22.376	35.100	26.471	18.841	1	1.000	0.8125

*** Maximum Stress Summary for Each Load Case

Summary of Maximum Usages by Load Case:

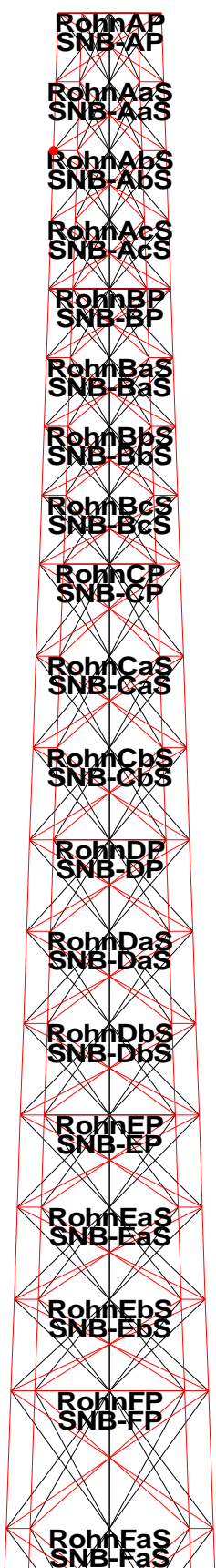
Load Case	Maximum Usage %	Element Label	Element Type
1: 1.2D + 1.0Dg + 1.6Wo	97.93	SNB-LH2P	Angle
2: 0.9D + 1.0Dg + 1.6Wo	96.89	SNB-LH2P	Angle
4: 1.2D + 1.0Dg + 1.0E	12.42	Rohn-LD3P	Angle
5: 0.9D + 1.0Dg + 1.0E	11.00	Rohn-LD3P	Angle
6: Service 1.0D + 1.0Dg + 1.0 Wo	24.09	SNB-LH1P	Angle
1.2*DL	5.66	Rohn-LD3P	Angle
0.9DL	4.25	Rohn-LD3P	Angle

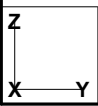
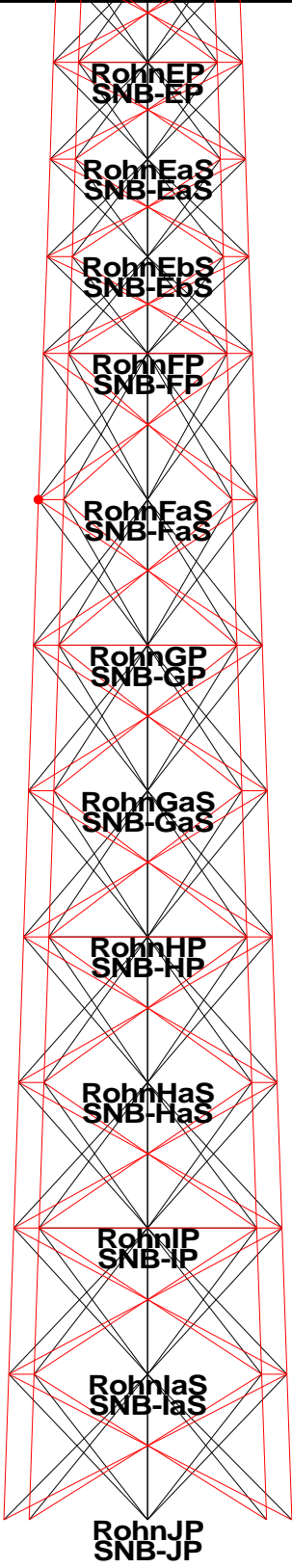
*** Weight of structure (lbs):

Weight of Angles*Section DLF:	61800.0
Weight of Equipment:	12631.6
Total:	74431.6

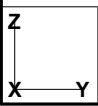
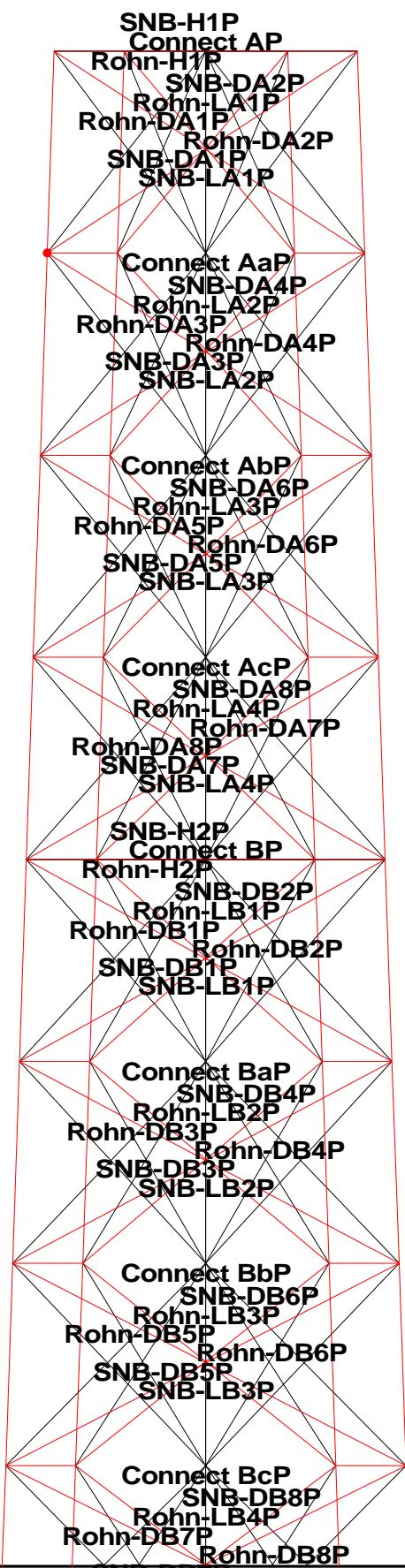
*** End of Report

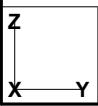
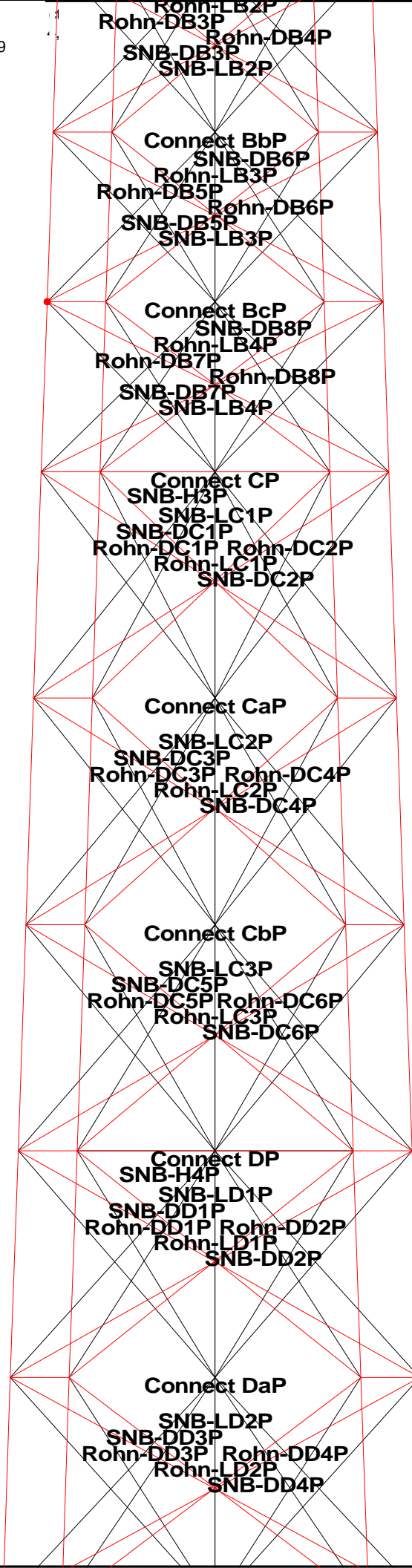
PLS-TOWER NODE LOCATIONS

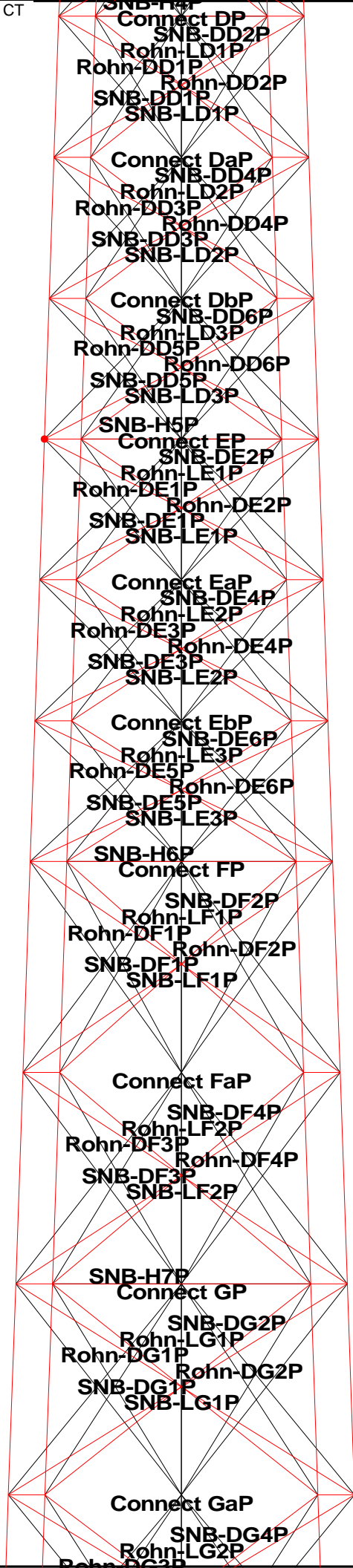


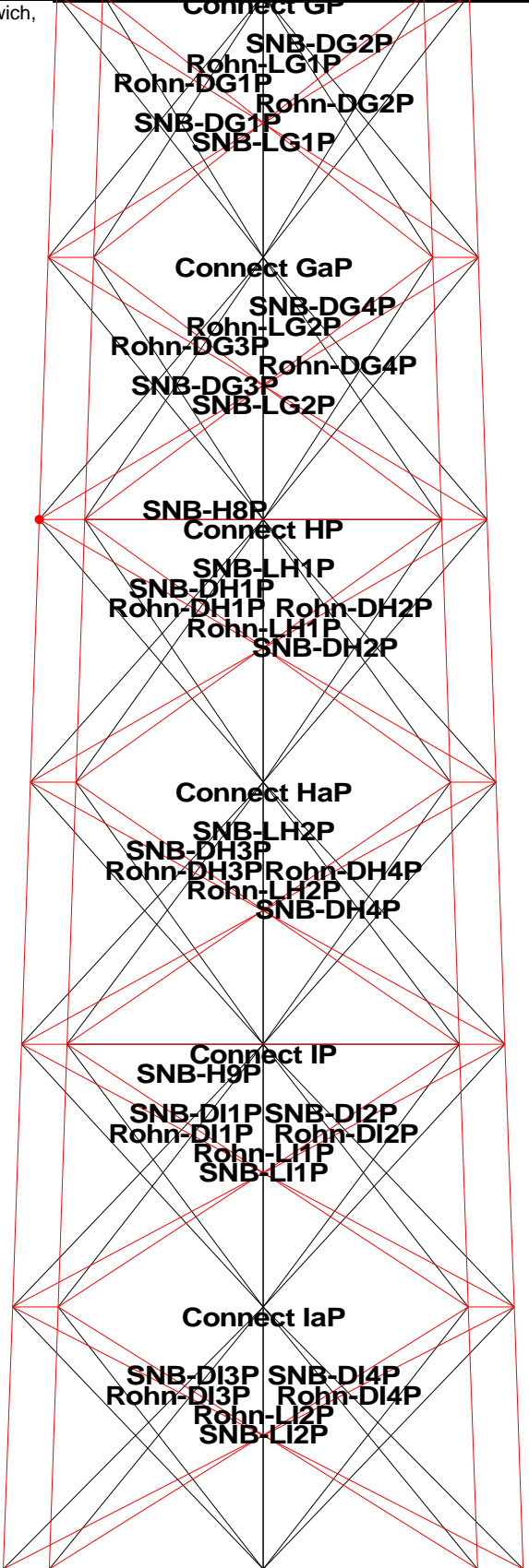


PLS-TOWER MEMBER LOCATIONS









PLS-TOWER DETAILED OUTPUT

*
* TOWER - Analysis and Design - Copyright Power Line Systems, Inc. 1986-2006 *
*

Project Name : Multi-Carrier Analysis
Project Notes: Butternut Hollow
Project File : p:\projects\telcom\structuralsbylocation\connecticut\greenwichcsp#74\14-vzw adds to # 13_pls_g\pls-tower_wind_0\4-carir.tow
Date run : 3:01:51 PM Wednesday, July 31, 2019
by : Tower Version 10.62
Licensed to : URS Connecticut

Successfully performed nonlinear analysis

Unusual number of fixed joints found: 6. Towers normally have from between 1 and 4 fixed joints. ??

Linear appurtenance "DNK1-7/8" @ 56`" is included in the face zone (face solidity ratio for Rev. F), but does not contribute to wind load: this is nonsensical ??
Linear appurtenance "DNK2-7/8" @ 54`" is included in the face zone (face solidity ratio for Rev. F), but does not contribute to wind load: this is nonsensical ??
Linear appurtenance "DNK3-7/8" @ 60`" is included in the face zone (face solidity ratio for Rev. F), but does not contribute to wind load: this is nonsensical ??
Linear appurtenance "DNK4-7/8" @ 65`" is included in the face zone (face solidity ratio for Rev. F), but does not contribute to wind load: this is nonsensical ??
Linear appurtenance "DNK5-1-5/8" @ 82`" is included in the face zone (face solidity ratio for Rev. F), but does not contribute to wind load: this is nonsensical ??
Linear appurtenance "DNK6-Hybriflex Cables @ Sprint" is included in the face zone (face solidity ratio for Rev. F), but does not contribute to wind load: this is nonsensical ??
Linear appurtenance "DNK7-7/8" @ 110`" is included in the face zone (face solidity ratio for Rev. F), but does not contribute to wind load: this is nonsensical ??
Linear appurtenance "DNK8-7/8" @ 122`" is included in the face zone (face solidity ratio for Rev. F), but does not contribute to wind load: this is nonsensical ??
Linear appurtenance "DNK9-7/8" @ 122`" is included in the face zone (face solidity ratio for Rev. F), but does not contribute to wind load: this is nonsensical ??
Linear appurtenance "DNK10-1-5/8" @ VZW" is included in the face zone (face solidity ratio for Rev. F), but does not contribute to wind load: this is nonsensical ??
Linear appurtenance "DNK11-1-5/8" @ 130`" is included in the face zone (face solidity ratio for Rev. F), but does not contribute to wind load: this is nonsensical ??
Linear appurtenance "DNK12-7/8" @ 135`" is included in the face zone (face solidity ratio for Rev. F), but does not contribute to wind load: this is nonsensical ??
Linear appurtenance "DNK13,14-1-5/8"@ T-Mobile" is included in the face zone (face solidity ratio for Rev. F), but does not contribute to wind load: this is nonsensical ??
Linear appurtenance "DNK15-7/8" @ 137`" is included in the face zone (face solidity ratio for Rev. F), but does not contribute to wind load: this is nonsensical ??
Linear appurtenance "DNK16,17,18-1-5/8" @ ATT" is included in the face zone (face solidity ratio for Rev. F), but does not contribute to wind load: this is nonsensical ??
Linear appurtenance "DNK16,17,18-Optic Fiber Cable @ ATT" is included in the face zone (face solidity ratio for Rev. F), but does not contribute to wind load: this is nonsensical ??
Linear appurtenance "DNK16,17,18-DC Cable @ ATT" is included in the face zone (face solidity ratio for Rev. F), but does not contribute to wind load: this is nonsensical ??
Linear appurtenance "DNK19-7/8" @ 159`" is included in the face zone (face solidity ratio for Rev. F), but does not contribute to wind load: this is nonsensical ??
Linear appurtenance "DNK20-7/8" @ 159.5`" is included in the face zone (face solidity ratio for Rev. F), but does not contribute to wind load: this is nonsensical ??
Linear appurtenance "CSP70,71,72-1-5/8" @ 160` (3)" is included in the face zone (face solidity ratio for Rev. F), but does not contribute to wind load: this is nonsensical ??
Linear appurtenance "CSP73-1/2" @ 160`" is included in the face zone (face solidity ratio for Rev. F), but does not contribute to wind load: this is nonsensical ??
Linear appurtenance "DNK21-Elliptical @ 160`" is included in the face zone (face solidity ratio for Rev. F), but does not contribute to wind load: this is nonsensical ??
Linear appurtenance "DNK22-7/8" @ 165`" is included in the face zone (face solidity ratio for Rev. F), but does not contribute to wind load: this is nonsensical ??
Linear appurtenance "DNK23A-1-5/8" @ 168`" is included in the face zone (face solidity ratio for Rev. F), but does not contribute to wind load: this is nonsensical ??
Linear appurtenance "DNK23B-1/2" @ 168`" is included in the face zone (face solidity ratio for Rev. F), but does not contribute to wind load: this is nonsensical ??
Linear appurtenance "DNK26-B-1-5/8" @ 175`" is included in the face zone (face solidity ratio for Rev. F), but does not contribute to wind load: this is nonsensical ??
Linear appurtenance "DNK26A-7/8" @ 175`" is included in the face zone (face solidity ratio for Rev. F), but does not contribute to wind load: this is nonsensical ??
Linear appurtenance "DNK26C-1/2" @ 175`" is included in the face zone (face solidity ratio for Rev. F), but does not contribute to wind load: this is nonsensical ??
Linear appurtenance "DNK27-B-1-5/8" @ 175`" is included in the face zone (face solidity ratio for Rev. F), but does not contribute to wind load: this is nonsensical ??
Linear appurtenance "DNK27A-7/8" @ 175`" is included in the face zone (face solidity ratio for Rev. F), but does not contribute to wind load: this is nonsensical ??
Linear appurtenance "DNK27C-3/8" @ 175`" is included in the face zone (face solidity ratio for Rev. F), but does not contribute to wind load: this is nonsensical ??
Linear appurtenance "DNK28A-1-5/8" @ 175`" is included in the face zone (face solidity ratio for Rev. F), but does not contribute to wind load: this is nonsensical ??
Linear appurtenance "DNK28B-1-5/8" @ 175`" is included in the face zone (face solidity ratio for Rev. F), but does not contribute to wind load: this is nonsensical ??
Linear appurtenance "DNK28C-1-5/8" @ 175`" is included in the face zone (face solidity ratio for Rev. F), but does not contribute to wind load: this is nonsensical ??
Linear appurtenance "DNK28D-7/8" @ 175`" is included in the face zone (face solidity ratio for Rev. F), but does not contribute to wind load: this is nonsensical ??
Linear appurtenance "GRN-1-Elliptical @ 172` (DNK25)" is included in the face zone (face solidity ratio for Rev. F), but does not contribute to wind load: this is nonsensical ??
Linear appurtenance "VZW-(1) Hybriflex Cables" is included in the face zone (face solidity ratio for Rev. F), but does not contribute to wind load: this is nonsensical ??
Linear appurtenance "Hybriflex 6x12 Cables @ T-Mobile" is included in the face zone (face solidity ratio for Rev. F), but does not contribute to wind load: this is nonsensical ??
Linear appurtenance "Hybriflex 9x18 Cables @ T-Mobile" is included in the face zone (face solidity ratio for Rev. F), but does not contribute to wind load: this is nonsensical ??
The model has 40 warnings. ??

Nonlinear convergence parameters: Use Standard Parameters
Member check option: ANSI/TIA 222-G-1
Connection rupture check: ANSI/TIA 222-G-1
Crossing diagonal check: ANSI/TIA 222-G-1 [Alternate Unsupported RLOUT = 1]

Joints Geometry:

Joint Label	Symmetry Code	X Coord. (ft)	Y Coord. (ft)	Z Coord. (ft)	X Disp. Rest.	Y Disp. Rest.	Z Disp. Rest.	X Rot. Rest.	Y Rot. Rest.	Z Rot. Rest.
-------------	---------------	---------------	---------------	---------------	---------------	---------------	---------------	--------------	--------------	--------------

RohnAP	Tri-Symmetry	4.333	0	180	Free	Free	Free	Free	Free	Free	Free
RohnBP	Tri-Symmetry	5.121	0	160	Free	Free	Free	Free	Free	Free	Free
RohnCP	Tri-Symmetry	5.909	0	140	Free	Free	Free	Free	Free	Free	Free
RohnDP	Tri-Symmetry	6.695	0	120	Free	Free	Free	Free	Free	Free	Free
RohnEP	Tri-Symmetry	7.481	0	100	Free	Free	Free	Free	Free	Free	Free
RohnFP	Tri-Symmetry	8.268	0	80	Free	Free	Free	Free	Free	Free	Free
RohnGP	Tri-Symmetry	9.055	0	60	Free	Free	Free	Free	Free	Free	Free
RohnHP	Tri-Symmetry	9.841	0	40	Free	Free	Free	Free	Free	Free	Free
RohnIP	Tri-Symmetry	10.63	0	20	Free	Free	Free	Free	Free	Free	Free
RohnJP	Tri-Symmetry	11.42	0	0	Fixed	Fixed	Fixed	Fixed	Fixed	Fixed	Fixed
SNB-AP	Tri-Symmetry	2.333	0	180	Free	Free	Free	Free	Free	Free	Free
SNB-BP	Tri-Symmetry	3.121	0	160	Free	Free	Free	Free	Free	Free	Free
SNB-CP	Tri-Symmetry	3.908	0	140	Free	Free	Free	Free	Free	Free	Free
SNB-DP	Tri-Symmetry	4.695	0	120	Free	Free	Free	Free	Free	Free	Free
SNB-EP	Tri-Symmetry	5.481	0	100	Free	Free	Free	Free	Free	Free	Free
SNB-FP	Tri-Symmetry	6.268	0	80	Free	Free	Free	Free	Free	Free	Free
SNB-GP	Tri-Symmetry	7.055	0	60	Free	Free	Free	Free	Free	Free	Free
SNB-HP	Tri-Symmetry	7.841	0	40	Free	Free	Free	Free	Free	Free	Free
SNB-IP	Tri-Symmetry	8.628	0	20	Free	Free	Free	Free	Free	Free	Free
SNB-JP	Tri-Symmetry	9.415	0	0	Fixed	Fixed	Fixed	Fixed	Fixed	Fixed	Fixed
RohnA1	Tri-Gen 1	-2.167	-3.752	180	Free	Free	Free	Free	Free	Free	Free
RohnA2	Tri-Gen 2	-2.167	3.752	180	Free	Free	Free	Free	Free	Free	Free
RohnB1	Tri-Gen 1	-2.561	-4.435	160	Free	Free	Free	Free	Free	Free	Free
RohnB2	Tri-Gen 2	-2.561	4.435	160	Free	Free	Free	Free	Free	Free	Free
RohnC1	Tri-Gen 1	-2.954	-5.117	140	Free	Free	Free	Free	Free	Free	Free
RohnC2	Tri-Gen 2	-2.954	5.117	140	Free	Free	Free	Free	Free	Free	Free
RohnD1	Tri-Gen 1	-3.348	-5.798	120	Free	Free	Free	Free	Free	Free	Free
RohnD2	Tri-Gen 2	-3.348	5.798	120	Free	Free	Free	Free	Free	Free	Free
RohnE1	Tri-Gen 1	-3.741	-6.479	100	Free	Free	Free	Free	Free	Free	Free
RohnE2	Tri-Gen 2	-3.741	6.479	100	Free	Free	Free	Free	Free	Free	Free
RohnF1	Tri-Gen 1	-4.134	-7.16	80	Free	Free	Free	Free	Free	Free	Free
RohnF2	Tri-Gen 2	-4.134	7.16	80	Free	Free	Free	Free	Free	Free	Free
RohnG1	Tri-Gen 1	-4.527	-7.842	60	Free	Free	Free	Free	Free	Free	Free
RohnG2	Tri-Gen 2	-4.527	7.842	60	Free	Free	Free	Free	Free	Free	Free
RohnH1	Tri-Gen 1	-4.921	-8.523	40	Free	Free	Free	Free	Free	Free	Free
RohnH2	Tri-Gen 2	-4.921	8.523	40	Free	Free	Free	Free	Free	Free	Free
RohnI1	Tri-Gen 1	-5.315	-9.206	20	Free	Free	Free	Free	Free	Free	Free
RohnI2	Tri-Gen 2	-5.315	9.206	20	Free	Free	Free	Free	Free	Free	Free
RohnJ1	Tri-Gen 1	-5.71	-9.89	0	Fixed	Fixed	Fixed	Fixed	Fixed	Fixed	Fixed
RohnJ2	Tri-Gen 2	-5.71	9.89	0	Fixed	Fixed	Fixed	Fixed	Fixed	Fixed	Fixed
SNB-A1	Tri-Gen 1	-1.167	-2.02	180	Free	Free	Free	Free	Free	Free	Free
SNB-A2	Tri-Gen 2	-1.167	2.02	180	Free	Free	Free	Free	Free	Free	Free
SNB-B1	Tri-Gen 1	-1.561	-2.703	160	Free	Free	Free	Free	Free	Free	Free
SNB-B2	Tri-Gen 2	-1.561	2.703	160	Free	Free	Free	Free	Free	Free	Free
SNB-C1	Tri-Gen 1	-1.954	-3.384	140	Free	Free	Free	Free	Free	Free	Free
SNB-C2	Tri-Gen 2	-1.954	3.384	140	Free	Free	Free	Free	Free	Free	Free
SNB-D1	Tri-Gen 1	-2.348	-4.066	120	Free	Free	Free	Free	Free	Free	Free
SNB-D2	Tri-Gen 2	-2.348	4.066	120	Free	Free	Free	Free	Free	Free	Free
SNB-E1	Tri-Gen 1	-2.74	-4.747	100	Free	Free	Free	Free	Free	Free	Free
SNB-E2	Tri-Gen 2	-2.74	4.747	100	Free	Free	Free	Free	Free	Free	Free
SNB-F1	Tri-Gen 1	-3.134	-5.428	80	Free	Free	Free	Free	Free	Free	Free
SNB-F2	Tri-Gen 2	-3.134	5.428	80	Free	Free	Free	Free	Free	Free	Free
SNB-G1	Tri-Gen 1	-3.528	-6.11	60	Free	Free	Free	Free	Free	Free	Free
SNB-G2	Tri-Gen 2	-3.528	6.11	60	Free	Free	Free	Free	Free	Free	Free
SNB-H1	Tri-Gen 1	-3.921	-6.791	40	Free	Free	Free	Free	Free	Free	Free
SNB-H2	Tri-Gen 2	-3.921	6.791	40	Free	Free	Free	Free	Free	Free	Free
SNB-I1	Tri-Gen 1	-4.314	-7.472	20	Free	Free	Free	Free	Free	Free	Free
SNB-I2	Tri-Gen 2	-4.314	7.472	20	Free	Free	Free	Free	Free	Free	Free
SNB-J1	Tri-Gen 1	-4.708	-8.154	0	Fixed	Fixed	Fixed	Fixed	Fixed	Fixed	Fixed
SNB-J2	Tri-Gen 2	-4.708	8.154	0	Fixed	Fixed	Fixed	Fixed	Fixed	Fixed	Fixed

Secondary Joints:

Joint Label	Symmetry Code	Origin Joint	End Joint	Fraction	Elevation	X Disp. Rest.	Y Disp. Rest.	Z Disp. Rest.	X Rot. Rest.	Y Rot. Rest.	Z Rot. Rest.
(ft)											
RohnAaS	Tri-Symmetry	RohnAP	RohnBP	0.25	0	Free	Free	Free	Free	Free	Free
RohnAbS	Tri-Symmetry	RohnAP	RohnBP	0.5	0	Free	Free	Free	Free	Free	Free

RohnAcS	Tri-Symmetry	RohnAP	RohnBP	0.75	0	Free	Free	Free	Free	Free	Free
RohnBaS	Tri-Symmetry	RohnBP	RohnCP	0.25	0	Free	Free	Free	Free	Free	Free
RohnBbS	Tri-Symmetry	RohnBP	RohnCP	0.5	0	Free	Free	Free	Free	Free	Free
RohnBcS	Tri-Symmetry	RohnBP	RohnCP	0.75	0	Free	Free	Free	Free	Free	Free
RohnCaS	Tri-Symmetry	RohnCP	RohnDP	0.333	0	Free	Free	Free	Free	Free	Free
RohnCbS	Tri-Symmetry	RohnCP	RohnDP	0.667	0	Free	Free	Free	Free	Free	Free
RohnDaS	Tri-Symmetry	RohnDP	RohnEP	0.333	0	Free	Free	Free	Free	Free	Free
RohnDbS	Tri-Symmetry	RohnDP	RohnEP	0.667	0	Free	Free	Free	Free	Free	Free
RohnEaS	Tri-Symmetry	RohnEP	RohnFP	0.333	0	Free	Free	Free	Free	Free	Free
RohnEbS	Tri-Symmetry	RohnEP	RohnFP	0.667	0	Free	Free	Free	Free	Free	Free
RohnFaS	Tri-Symmetry	RohnFP	RohnGP	0.5	0	Free	Free	Free	Free	Free	Free
RohnGaS	Tri-Symmetry	RohnGP	RohnHP	0.5	0	Free	Free	Free	Free	Free	Free
RohnHaS	Tri-Symmetry	RohnHP	RohnIP	0.5	0	Free	Free	Free	Free	Free	Free
RohnIaS	Tri-Symmetry	RohnIP	RohnJP	0.5	0	Free	Free	Free	Free	Free	Free
SNB-AaS	Tri-Symmetry	SNB-AP	SNB-BP	0.25	0	Free	Free	Free	Free	Free	Free
SNB-AbS	Tri-Symmetry	SNB-AP	SNB-BP	0.5	0	Free	Free	Free	Free	Free	Free
SNB-AcS	Tri-Symmetry	SNB-AP	SNB-BP	0.75	0	Free	Free	Free	Free	Free	Free
SNB-BaS	Tri-Symmetry	SNB-BP	SNB-CP	0.25	0	Free	Free	Free	Free	Free	Free
SNB-BbS	Tri-Symmetry	SNB-BP	SNB-CP	0.5	0	Free	Free	Free	Free	Free	Free
SNB-BcS	Tri-Symmetry	SNB-BP	SNB-CP	0.75	0	Free	Free	Free	Free	Free	Free
SNB-CaS	Tri-Symmetry	SNB-CP	SNB-DP	0.333	0	Free	Free	Free	Free	Free	Free
SNB-CbS	Tri-Symmetry	SNB-CP	SNB-DP	0.667	0	Free	Free	Free	Free	Free	Free
SNB-DaS	Tri-Symmetry	SNB-DP	SNB-EP	0.333	0	Free	Free	Free	Free	Free	Free
SNB-DbS	Tri-Symmetry	SNB-DP	SNB-EP	0.667	0	Free	Free	Free	Free	Free	Free
SNB-EaS	Tri-Symmetry	SNB-EP	SNB-FP	0.333	0	Free	Free	Free	Free	Free	Free
SNB-EbS	Tri-Symmetry	SNB-EP	SNB-FP	0.667	0	Free	Free	Free	Free	Free	Free
SNB-FaS	Tri-Symmetry	SNB-FP	SNB-GP	0.5	0	Free	Free	Free	Free	Free	Free
SNB-GaS	Tri-Symmetry	SNB-GP	SNB-HP	0.5	0	Free	Free	Free	Free	Free	Free
SNB-HaS	Tri-Symmetry	SNB-HP	SNB-IP	0.5	0	Free	Free	Free	Free	Free	Free
SNB-IaS	Tri-Symmetry	SNB-IP	SNB-JP	0.5	0	Free	Free	Free	Free	Free	Free
SNB-WL-A1S	None	SNB-AP	SNB-A1	0.5	0	Free	Free	Free	Free	Free	Free
SNB-WL-A2S	None	SNB-A1	SNB-A2	0.5	0	Free	Free	Free	Free	Free	Free
SNB-WL-A3S	None	SNB-A2	SNB-AP	0.5	0	Free	Free	Free	Free	Free	Free
SNB-WL-B1S	None	SNB-BP	SNB-B1	0.5	0	Free	Free	Free	Free	Free	Free
SNB-WL-B2S	None	SNB-B1	SNB-B2	0.5	0	Free	Free	Free	Free	Free	Free
SNB-WL-B3S	None	SNB-B2	SNB-BP	0.5	0	Free	Free	Free	Free	Free	Free
SNB-WL-C1S	None	SNB-CP	SNB-C1	0.5	0	Free	Free	Free	Free	Free	Free
SNB-WL-C2S	None	SNB-C1	SNB-C2	0.5	0	Free	Free	Free	Free	Free	Free
SNB-WL-C3S	None	SNB-C2	SNB-CP	0.5	0	Free	Free	Free	Free	Free	Free
SNB-WL-D1S	None	SNB-DP	SNB-D1	0.5	0	Free	Free	Free	Free	Free	Free
SNB-WL-D2S	None	SNB-D1	SNB-D2	0.5	0	Free	Free	Free	Free	Free	Free
SNB-WL-D3S	None	SNB-D2	SNB-DP	0.5	0	Free	Free	Free	Free	Free	Free
SNB-WL-E1S	None	SNB-EP	SNB-E1	0.5	0	Free	Free	Free	Free	Free	Free
SNB-WL-E2S	None	SNB-E1	SNB-E2	0.5	0	Free	Free	Free	Free	Free	Free
SNB-WL-E3S	None	SNB-E2	SNB-EP	0.5	0	Free	Free	Free	Free	Free	Free
SNB-WL-F1S	None	SNB-FP	SNB-F1	0.5	0	Free	Free	Free	Free	Free	Free
SNB-WL-F2S	None	SNB-F1	SNB-F2	0.5	0	Free	Free	Free	Free	Free	Free
SNB-WL-F3S	None	SNB-F2	SNB-FP	0.5	0	Free	Free	Free	Free	Free	Free
SNB-WL-G1S	None	SNB-GP	SNB-G1	0.5	0	Free	Free	Free	Free	Free	Free
SNB-WL-G2S	None	SNB-G1	SNB-G2	0.5	0	Free	Free	Free	Free	Free	Free
SNB-WL-G3S	None	SNB-G2	SNB-GP	0.5	0	Free	Free	Free	Free	Free	Free
SNB-WL-H1S	None	SNB-HP	SNB-H1	0.5	0	Free	Free	Free	Free	Free	Free
SNB-WL-H2S	None	SNB-H1	SNB-H2	0.5	0	Free	Free	Free	Free	Free	Free
SNB-WL-H3S	None	SNB-H2	SNB-HP	0.5	0	Free	Free	Free	Free	Free	Free
SNB-WL-I1S	None	SNB-IP	SNB-I1	0.5	0	Free	Free	Free	Free	Free	Free
SNB-WL-I2S	None	SNB-I1	SNB-I2	0.5	0	Free	Free	Free	Free	Free	Free
SNB-WL-I3S	None	SNB-I2	SNB-IP	0.5	0	Free	Free	Free	Free	Free	Free
RohnAa1	Tri-Gen 1	RohnAP	RohnBP	0.25	0	Free	Free	Free	Free	Free	Free
RohnAa2	Tri-Gen 2	RohnAP	RohnBP	0.25	0	Free	Free	Free	Free	Free	Free
RohnAb1	Tri-Gen 1	RohnAP	RohnBP	0.5	0	Free	Free	Free	Free	Free	Free
RohnAb2	Tri-Gen 2	RohnAP	RohnBP	0.5	0	Free	Free	Free	Free	Free	Free
RohnAc1	Tri-Gen 1	RohnAP	RohnBP	0.75	0	Free	Free	Free	Free	Free	Free
RohnAc2	Tri-Gen 2	RohnAP	RohnBP	0.75	0	Free	Free	Free	Free	Free	Free
RohnBa1	Tri-Gen 1	RohnBP	RohnCP	0.25	0	Free	Free	Free	Free	Free	Free
RohnBa2	Tri-Gen 2	RohnBP	RohnCP	0.25	0	Free	Free	Free	Free	Free	Free
RohnBb1	Tri-Gen 1	RohnBP	RohnCP	0.5	0	Free	Free	Free	Free	Free	Free
RohnBb2	Tri-Gen 2	RohnBP	RohnCP	0.5	0	Free	Free	Free	Free	Free	Free
RohnBc1	Tri-Gen 1	RohnBP	RohnCP	0.75	0	Free	Free	Free	Free	Free	Free
RohnBc2	Tri-Gen 2	RohnBP	RohnCP	0.75	0	Free	Free	Free	Free	Free	Free

RohnCa1	Tri-Gen 1	RohnCP	RohnDP	0.333	0	Free	Free	Free	Free	Free	Free
RohnCa2	Tri-Gen 2	RohnCP	RohnDP	0.333	0	Free	Free	Free	Free	Free	Free
RohnCb1	Tri-Gen 1	RohnCP	RohnDP	0.667	0	Free	Free	Free	Free	Free	Free
RohnCb2	Tri-Gen 2	RohnCP	RohnDP	0.667	0	Free	Free	Free	Free	Free	Free
RohnDa1	Tri-Gen 1	RohnDP	RohnEP	0.333	0	Free	Free	Free	Free	Free	Free
RohnDa2	Tri-Gen 2	RohnDP	RohnEP	0.333	0	Free	Free	Free	Free	Free	Free
RohnDb1	Tri-Gen 1	RohnDP	RohnEP	0.667	0	Free	Free	Free	Free	Free	Free
RohnDb2	Tri-Gen 2	RohnDP	RohnEP	0.667	0	Free	Free	Free	Free	Free	Free
RohnEa1	Tri-Gen 1	RohnEP	RohnFP	0.333	0	Free	Free	Free	Free	Free	Free
RohnEa2	Tri-Gen 2	RohnEP	RohnFP	0.333	0	Free	Free	Free	Free	Free	Free
RohnEb1	Tri-Gen 1	RohnEP	RohnFP	0.667	0	Free	Free	Free	Free	Free	Free
RohnEb2	Tri-Gen 2	RohnEP	RohnFP	0.667	0	Free	Free	Free	Free	Free	Free
RohnFa1	Tri-Gen 1	RohnFP	RohnGP	0.5	0	Free	Free	Free	Free	Free	Free
RohnFa2	Tri-Gen 2	RohnFP	RohnGP	0.5	0	Free	Free	Free	Free	Free	Free
RohnGa1	Tri-Gen 1	RohnGP	RohnHP	0.5	0	Free	Free	Free	Free	Free	Free
RohnGa2	Tri-Gen 2	RohnGP	RohnHP	0.5	0	Free	Free	Free	Free	Free	Free
RohnHa1	Tri-Gen 1	RohnHP	RohnIP	0.5	0	Free	Free	Free	Free	Free	Free
RohnHa2	Tri-Gen 2	RohnHP	RohnIP	0.5	0	Free	Free	Free	Free	Free	Free
RohnIa1	Tri-Gen 1	RohnIP	RohnJP	0.5	0	Free	Free	Free	Free	Free	Free
RohnIa2	Tri-Gen 2	RohnIP	RohnJP	0.5	0	Free	Free	Free	Free	Free	Free
SNB-Aa1	Tri-Gen 1	SNB-AP	SNB-BP	0.25	0	Free	Free	Free	Free	Free	Free
SNB-Aa2	Tri-Gen 2	SNB-AP	SNB-BP	0.25	0	Free	Free	Free	Free	Free	Free
SNB-Ab1	Tri-Gen 1	SNB-AP	SNB-BP	0.5	0	Free	Free	Free	Free	Free	Free
SNB-Ab2	Tri-Gen 2	SNB-AP	SNB-BP	0.5	0	Free	Free	Free	Free	Free	Free
SNB-Ac1	Tri-Gen 1	SNB-AP	SNB-BP	0.75	0	Free	Free	Free	Free	Free	Free
SNB-Ac2	Tri-Gen 2	SNB-AP	SNB-BP	0.75	0	Free	Free	Free	Free	Free	Free
SNB-Ba1	Tri-Gen 1	SNB-BP	SNB-CP	0.25	0	Free	Free	Free	Free	Free	Free
SNB-Ba2	Tri-Gen 2	SNB-BP	SNB-CP	0.25	0	Free	Free	Free	Free	Free	Free
SNB-Bb1	Tri-Gen 1	SNB-BP	SNB-CP	0.5	0	Free	Free	Free	Free	Free	Free
SNB-Bb2	Tri-Gen 2	SNB-BP	SNB-CP	0.5	0	Free	Free	Free	Free	Free	Free
SNB-Bc1	Tri-Gen 1	SNB-BP	SNB-CP	0.75	0	Free	Free	Free	Free	Free	Free
SNB-Bc2	Tri-Gen 2	SNB-BP	SNB-CP	0.75	0	Free	Free	Free	Free	Free	Free
SNB-Ca1	Tri-Gen 1	SNB-CP	SNB-DP	0.333	0	Free	Free	Free	Free	Free	Free
SNB-Ca2	Tri-Gen 2	SNB-CP	SNB-DP	0.333	0	Free	Free	Free	Free	Free	Free
SNB-Cb1	Tri-Gen 1	SNB-CP	SNB-DP	0.667	0	Free	Free	Free	Free	Free	Free
SNB-Cb2	Tri-Gen 2	SNB-CP	SNB-DP	0.667	0	Free	Free	Free	Free	Free	Free
SNB-Da1	Tri-Gen 1	SNB-DP	SNB-EP	0.333	0	Free	Free	Free	Free	Free	Free
SNB-Da2	Tri-Gen 2	SNB-DP	SNB-EP	0.333	0	Free	Free	Free	Free	Free	Free
SNB-Db1	Tri-Gen 1	SNB-DP	SNB-EP	0.667	0	Free	Free	Free	Free	Free	Free
SNB-Db2	Tri-Gen 2	SNB-DP	SNB-EP	0.667	0	Free	Free	Free	Free	Free	Free
SNB-Ea1	Tri-Gen 1	SNB-EP	SNB-FP	0.333	0	Free	Free	Free	Free	Free	Free
SNB-Ea2	Tri-Gen 2	SNB-EP	SNB-FP	0.333	0	Free	Free	Free	Free	Free	Free
SNB-Eb1	Tri-Gen 1	SNB-EP	SNB-FP	0.667	0	Free	Free	Free	Free	Free	Free
SNB-Eb2	Tri-Gen 2	SNB-EP	SNB-FP	0.667	0	Free	Free	Free	Free	Free	Free
SNB-Fa1	Tri-Gen 1	SNB-FP	SNB-GP	0.5	0	Free	Free	Free	Free	Free	Free
SNB-Fa2	Tri-Gen 2	SNB-FP	SNB-GP	0.5	0	Free	Free	Free	Free	Free	Free
SNB-Ga1	Tri-Gen 1	SNB-GP	SNB-HP	0.5	0	Free	Free	Free	Free	Free	Free
SNB-Ga2	Tri-Gen 2	SNB-GP	SNB-HP	0.5	0	Free	Free	Free	Free	Free	Free
SNB-Ha1	Tri-Gen 1	SNB-HP	SNB-IP	0.5	0	Free	Free	Free	Free	Free	Free
SNB-Ha2	Tri-Gen 2	SNB-HP	SNB-IP	0.5	0	Free	Free	Free	Free	Free	Free
SNB-Ia1	Tri-Gen 1	SNB-IP	SNB-JP	0.5	0	Free	Free	Free	Free	Free	Free
SNB-Ia2	Tri-Gen 2	SNB-IP	SNB-JP	0.5	0	Free	Free	Free	Free	Free	Free

The model contains 60 primary and 123 secondary joints for a total of 183 joints.

Steel Material Properties:

Steel Material Label	Modulus of Elasticity (ksi)	Yield Stress Fy (ksi)	Ultimate Stress Fu (ksi)	Member All. Stress Hyp. 1 (ksi)	Member All. Stress Hyp. 2 (ksi)	Member Rupture Hyp. 1 (ksi)	Member Rupture Hyp. 2 (ksi)	Member Bearing Hyp. 1 (ksi)	Member Bearing Hyp. 2 (ksi)
A 36	2.9e+004	36	58	0	0	0	0	0	0
A572-50	2.9e+004	50	65	0	0	0	0	0	0

Bolt Properties:

Bolt Label	Bolt Diameter	Hole Diameter	Ultimate Shear	Default End	Default Bolt	Shear Capacity	Shear Capacity
------------	---------------	---------------	----------------	-------------	--------------	----------------	----------------

		Capacity	Distance	Spacing	Hyp. 1	Hyp. 2
	(in)	(in)	(kips)	(in)	(in)	(kips)
5/8 A325-N	0.625	0.6875	16.58	1.125	1.5	0
3/4 A325-N	0.75	0.8125	23.87	1.35	1.8	0
5/8 A490-N	0.625	0.6875	20.72	1.125	1.5	0
3/4 A490-N	0.75	0.8125	29.83	1.35	1.8	0

Number Bolts Used By Type:

Bolt Number	Type	Bolts
5/8 A325-N		228
5/8 A490-N		6
3/4 A325-N		42
3/4 A490-N		24

Angle Properties:

Angle Type	Angle Size	Long Leg	Short Leg	Thick.	Unit Weight	Gross Area	w/t Ratio	Radius of Gyration Rx	Radius of Gyration Ry	Radius of Gyration Rz	Number of Angles	Wind Width	Short Edge Dist.	Long Edge Dist.	Optimize Cost Factor	Section Modulus (in^3)
SAE	6X6X0.375	6	6	0.375	14.9	4.36	13.67	1.88	1.88	1.19	1	6	3	0	1.0000	0
SAE	5X5X0.625	5	5	0.625	20	5.86	6.2	1.52	1.52	0.978	1	5	2.5	0	1.0000	0
SAE	5X5X0.375	5	5	0.375	12.3	3.61	11	1.56	1.56	0.99	1	5	2.5	0	1.0000	0
SAE	4X4X0.625	4	4	0.625	15.7	4.61	4.8	1.2	1.2	0.779	1	4	2	0	1.0000	0
SAE	4X4X0.5	4	4	0.5	12.8	3.75	6.25	1.22	1.22	0.782	1	4	2	0	1.0000	0
SAE	4X4X0.3125	4	4	0.3125	8.2	2.4	10.6	1.24	1.24	0.791	1	4	2	0	1.0000	0
SAE	4X4X0.25	4	4	0.25	6.6	1.94	13.5	1.25	1.25	0.795	1	4	2	0	1.0000	0
SAE	3.5X3.5X0.375	3.5	3.5	0.375	8.5	2.48	7.33	1.07	1.07	0.687	1	3.5	1.75	0	1.0000	0
SAE	3.5X3.5X0.3125	3.5	3.5	0.3125	7.2	2.09	9	1.08	1.08	0.69	1	3.5	1.75	0	1.0000	0
SAE	3.5X3.5X0.25	3.5	3.5	0.25	5.8	1.69	11.5	1.09	1.09	0.694	1	3.5	1.75	0	1.0000	0
SAE	3X3X0.5	3	3	0.5	9.4	2.75	4.38	0.898	0.898	0.584	1	3	1.5	0	1.0000	0
SAE	3X3X0.25	3	3	0.25	4.9	1.44	9.75	0.93	0.93	0.592	1	3	1.5	0	1.0000	0
SAE	2.5X2.5X0.3125	2.5	2.5	0.3125	5	1.46	6	0.761	0.761	0.489	1	2.5	1.25	0	1.0000	0
SAE	2.5X2.5X0.25	2.5	2.5	0.25	4.1	1.19	7.75	0.769	0.769	0.491	1	2.5	1.25	0	1.0000	0
SAE	2.5X2.5X0.1875	2.5	2.5	0.1875	3.07	0.902	10.67	0.778	0.778	0.495	1	2.5	1.25	0	1.0000	0
SAE	2X2X0.375	2	2	0.375	4.7	1.36	3	0.594	0.594	0.389	1	2	1	0	1.0000	0
SAE	2X2X0.3125	2	2	0.3125	3.92	1.15	3.8	0.601	0.601	0.39	1	2	1	0	1.0000	0
SAE	2X2X0.25	2	2	0.25	3.19	0.94	5	0.609	0.609	0.391	1	2	1	0	1.0000	0
SAE	2X2X0.1875	2	2	0.1875	2.44	0.71	8	0.617	0.617	0.394	1	2	1	0	1.0000	0
SAE	1.75X1.75X0.1875	1.75	1.75	0.1875	2.12	0.62	6	0.537	0.537	0.343	1	1.75	0.875	0	1.0000	0
BIG	0.1X0.1X1	0.1	0.1	1	0	800	2.17	9.99	9.99	9.99	1	0.1	0.05	0	1.0000	0
Pipe	Pipe3EH	3.5	2.9	0	10.3	2.83	1	1.14	1.14	1.14	1	0	0	0	0.0000	0
Pipe	Pipe4EH	4.5	3.826	0	15	4.14	1	1.48	1.48	1.48	1	0	0	0	0.0000	0
Pipe	Pipe5STD	5.563	5.047	0	14.6	4.03	1	1.88	1.88	1.88	1	0	0	0	0.0000	0
Pipe	Pipe5EH	5.563	4.813	0	20.8	5.72	1	1.85	1.85	1.85	1	0	0	0	0.0000	0
Pipe	Pipe6EH	6.625	5.761	0	28.6	7.88	1	2.2	2.2	2.2	1	0	0	0	0.0000	0
Pipe	Pipe8EHS	8.625	8	0	35.78	9.86	1	2.96	2.96	2.96	1	0	0	0	0.0000	0
Pipe	Pipe3.5EH	4	3.364	0	12.5	3.44	1	1.31	1.31	1.31	1	0	0	0	0.0000	0
Pipe	Pipe6EHS	6.625	5.96	0	24.38	6.71	1	2.22	2.22	2.22	1	0	0	0	0.0000	0
Pipe	P3-437	3.5	2.626	0	15	4.2	1	1.09	1.09	1.09	1	0	0	0	0.0000	0
Pipe	P4-494	4.5	3.512	0	21.4	6.21	1	1.42	1.42	1.42	1	0	0	0	0.0000	0
Pipe	P6-562	6.625	5.5	0	36.6	10.7	1	2.15	2.15	2.15	1	0	0	0	0.0000	0
Pipe	Pipe8XS	8.625	7.625	0	43.39	12.8	1	2.88	2.88	2.88	1	0	0	0	0.0000	0
Pipe	Pipe10XS	10.75	9.75	0	54.74	16.1	1	3.63	3.63	3.63	1	0	0	0	0.0000	0
Pipe	P3-425	3.5	2.65	0	15	4.105	1	1.097	1.097	1.097	1	0	0	0	0.0000	0

Angle Groups:

Group Label	Group Angle Description	Group Angle Type	Angle Size	Material Type	Element Type	Group Type	Optimize Group	Allow. Angle	Add. Width
									For Optimize (in)

Rohn-D1	Rohn Diagonal 1	SAE	1.75X1.75X0.1875	A 36	Truss	Other	None	0.000
Rohn-D2	Rohn Diagonal 2	SAE	2X2X0.1875	A 36	Truss	Other	None	0.000
Rohn-D3	Rohn Diagonal 3	SAE	2.5X2.5X0.1875	A 36	Truss	Other	None	0.000
Rohn-D4	Rohn Diagonal 4	SAE	2.5X2.5X0.25	A 36	Truss	Other	None	0.000
Rohn-D5	Rohn Diagonal 5	SAE	3X3X0.25	A572-50	Truss	Other	None	0.000
Rohn-D6	Rohn Diagonal 6	SAE	3.5X3.5X0.25	A572-50	Truss	Other	None	0.000
Rohn-D7	Rohn Diagonal 7	SAE	4X4X0.25	A572-50	Truss	Other	None	0.000
Rohn-L1	Rohn Leg 1	Pipe	Pipe3EH	A572-50	Beam	Leg	None	0.000
Rohn-L2	Rohn Leg 2	Pipe	Pipe3.5EH	A572-50	Beam	Leg	None	0.000
Rohn-L3	Rohn Leg 3	Pipe	Pipe4EH	A572-50	Beam	Leg	None	0.000
Rohn-L4	Rohn Leg 4	Pipe	Pipe5STD	A572-50	Beam	Leg	None	0.000
Rohn-L5	Rohn Leg 5	Pipe	Pipe5EH	A572-50	Beam	Leg	None	0.000
Rohn-L6	Rohn Leg 6	Pipe	Pipe6EHS	A572-50	Beam	Leg	None	0.000
Rohn-L7	Rohn Leg 7	Pipe	Pipe6EH	A572-50	Beam	Leg	None	0.000
Rohn-L8	Rohn Leg 8	Pipe	Pipe8EHS	A572-50	Beam	Leg	None	0.000
Rohn-H1	Rohn Horizontal 1	SAE	1.75X1.75X0.1875	A 36	Beam	Other	None	0.000
SNB-D1	SNB Diagonal 1	SAE	2X2X0.3125	A 36	Truss	Other	None	0.000
SNB-D2	SNB Diagonal 2	SAE	2X2X0.25	A 36	Truss	Other	None	0.000
SNB-D3	SNB Diagonal 3	SAE	2.5X2.5X0.3125	A 36	Truss	Other	None	0.000
SNB-D4	SNB Diagonal 4	SAE	3X3X0.5	A 36	Truss	Other	None	0.000
SNB-D5	SNB Diagonal 5	SAE	4X4X0.5	A 36	Truss	Other	None	0.000
SNB-D6	SNB Diagonal 6	SAE	4X4X0.625	A 36	Truss	Other	None	0.000
SNB-D7	SNB Diagonal 7	SAE	5X5X0.625	A 36	Truss	Other	None	0.000
SNB-L1	SNB Leg 1	Pipe	P3-437	A 36	Beam	Leg	None	0.000
SNB-L2	SNB Leg 2	Pipe	P4-494	A 36	Beam	Leg	None	0.000
SNB-L3	SNB Leg 3	Pipe	Pipe5EH	A 36	Beam	Leg	None	0.000
SNB-L4	SNB Leg 4	Pipe	P6-562	A 36	Beam	Leg	None	0.000
SNB-L5	SNB Leg 5	Pipe	Pipe8XS	A 36	Beam	Leg	None	0.000
SNB-L6	SNB Leg 6	Pipe	Pipe10XS	A 36	Beam	Leg	None	0.000
Connect	Connect Towers	BIG	0.1X0.1X1	A 36		Other	None	0.000
SNB-H1	SNB Horizontal 1	Pipe	P3-425	A 36	Beam	Other	None	0.000
SNB-H2	SNB Horizontal 2	Pipe	P4-494	A 36	Beam	Other	None	0.000
Rohn-D8	Rohn Diagonal 8	SAE	2X2X0.375	A 36	Truss	Other	None	0.000
WLAC-1	Wind Lacing 1	SAE	2X2X0.25	A 36	Truss	Redundant	None	0.000
WLAC-2	Wind Lacing 2	SAE	2.5X2.5X0.3125	A 36	Truss	Redundant	None	0.000
R-D1-MOD	MODIFICATION - L1.75X1.75x3/16	SAE	1.75X1.75X0.1875	A572-50	Truss	Other	None	0.000
R-D2-MOD	MODIFICATION - L2X2x3/16	SAE	2X2X0.1875	A572-50	Truss	Other	None	0.000
R-D3-MOD	MODIFICATION - L2.5X2.5x1/4	SAE	2.5X2.5X0.25	A572-50	Truss	Other	None	0.000
R-D4-MOD	MODIFICATION - L3x3x1/4	SAE	3X3X0.25	A572-50	Truss	Other	None	0.000
R-D5-MOD	MODIFICATION - L3X3x1/4	SAE	3X3X0.25	A572-50	Truss	Other	None	0.000
R-D6-MOD	MODIFICATION - L3.5X3.5x5/16	SAE	3.5X3.5X0.3125	A572-50	Truss	Other	None	0.000
R-D7-MOD	MODIFICATION - L4X4x5/16	SAE	4X4X0.3125	A572-50	Truss	Other	None	0.000
S-D1-MOD	MODIFICATION - L2X2x5/16	SAE	2X2X0.3125	A572-50	Truss	Other	None	0.000
S-D2-MOD	MODIFICATION - L2x2x1/4	SAE	2X2X0.25	A572-50	Truss	Other	None	0.000
S-D3-MOD	MODIFICATION - L2.5X2.5x5/16	SAE	2.5X2.5X0.3125	A572-50	Truss	Other	None	0.000
S-D4-MOD	MODIFICATION - L3.5X3.5x3/8	SAE	3.5X3.5X0.375	A572-50	Truss	Other	None	0.000
S-D5-MOD	MODIFICATION - L4X4x0.5	SAE	4X4X0.5	A572-50	Truss	Other	None	0.000
S-D6-MOD	MODIFICATION - L5X5x3/8	SAE	5X5X0.375	A572-50	Truss	Other	None	0.000
S-D7-MOD	MODIFICATION - L6X6x3/8	SAE	6X6X0.375	A572-50	Truss	Other	None	0.000

Aggregate Angle Information:

Note: Estimate of surface area reported for painting purposes, not wind loading.

Angle Type	Angle Size	Material Type	Total Length (ft)	Total Surface Area (ft^2)	Total Weight (lbs)
SAE	1.75X1.75X0.1875	A 36	279.43	163.00	592.39
SAE	2X2X0.1875	A 36	258.81	172.54	631.49
SAE	2.5X2.5X0.1875	A 36	151.20	126.00	464.18
SAE	2.5X2.5X0.25	A572-50	79.06	65.89	324.16
SAE	2.5X2.5X0.25	A 36	81.42	67.85	333.83
SAE	3X3X0.25	A572-50	443.36	443.36	2172.46
SAE	3.5X3.5X0.25	A572-50	446.54	520.96	2589.91
SAE	4X4X0.25	A572-50	379.04	505.38	2501.65
SAE	4X4X0.3125	A572-50	123.92	165.23	1016.15
Pipe	Pipe3EH	A572-50	60.05	64.05	618.48

Pipe	Pipe3.5EH	A572-50	60.05	73.70	750.58
Pipe	Pipe4EH	A572-50	60.05	83.32	900.69
Pipe	Pipe5STD	A572-50	60.05	106.18	876.68
Pipe	Pipe5EH	A572-50	60.05	103.84	1248.97
Pipe	Pipe6EHS	A572-50	60.05	125.95	1463.93
Pipe	Pipe6EH	A572-50	120.09	247.91	3434.66
Pipe	Pipe8EHS	A572-50	60.05	166.38	2148.47
SAE	2X2X0.3125	A 36	165.23	110.15	647.69
SAE	2X2X0.25	A 36	225.69	150.46	719.94
SAE	2.5X2.5X0.3125	A 36	470.63	392.19	2353.15
SAE	3X3X0.5	A 36	219.00	219.00	2058.63
SAE	4X4X0.5	A 36	183.26	244.34	2345.69
SAE	4X4X0.625	A 36	199.19	265.58	3127.26
SAE	5X5X0.375	A572-50	205.76	342.94	2530.90
SAE	6X6X0.375	A572-50	222.64	445.29	3317.38
Pipe	P3-437	A 36	60.05	61.31	900.70
Pipe	P4-494	A 36	303.38	405.11	6492.26
Pipe	Pipe5EH	A 36	60.05	103.84	1248.96
Pipe	P6-562	A 36	120.09	242.69	4395.40
Pipe	Pipe8XS	A 36	120.09	325.25	5210.82
Pipe	Pipe10XS	A 36	60.05	205.16	3286.94
BIG	0.1X0.1X1	A 36	150.03	5.00	0.00
Pipe	P3-425	A 36	73.04	74.87	1095.63

Sections:
The adjustment factors below only apply to dead load and wind areas that are calculated for members in the model.
They do not apply to equipment or to manually input dead load and drag areas.

Section Label	Joint Defining Section Bottom	Dead Load Adjust. Factor	Transverse Drag x Area For Face	Longitudinal Drag x Area For Face	Transverse Area (CD From Code)	Longitudinal Area Factor (CD From Code)	Af Factor For EIA Only	Flat Face For EIA Only	Ar Round Face For EIA Only	Transverse Drag x Area For All	Longitudinal Drag x Area For All	SAPS Drag x Area Factor	Angle Drag x Area Factor	SAPS Round Drag x Area Factor	Force Solid Face
A	RohnBP	1.000	0.000	0.000	0.000	0.000	0.900	0.900	0.000	0.000	0.000	0.000	0.000	0.000	None
B	RohnCP	1.000	0.000	0.000	0.000	0.000	0.900	0.900	0.000	0.000	0.000	0.000	0.000	0.000	None
C	RohnDP	1.000	0.000	0.000	0.000	0.000	0.900	0.900	0.000	0.000	0.000	0.000	0.000	0.000	None
D	RohnEP	1.000	0.000	0.000	0.000	0.000	0.900	0.900	0.000	0.000	0.000	0.000	0.000	0.000	None
E	RohnFP	1.000	0.000	0.000	0.000	0.000	0.900	0.900	0.000	0.000	0.000	0.000	0.000	0.000	None
F	RohnGP	1.000	0.000	0.000	0.000	0.000	0.900	0.900	0.000	0.000	0.000	0.000	0.000	0.000	None
G	RohnHP	1.000	0.000	0.000	0.000	0.000	0.900	0.900	0.000	0.000	0.000	0.000	0.000	0.000	None
H	RohnIP	1.000	0.000	0.000	0.000	0.000	0.900	0.900	0.000	0.000	0.000	0.000	0.000	0.000	None
I	RohnJP	1.000	0.000	0.000	0.000	0.000	0.900	0.900	0.000	0.000	0.000	0.000	0.000	0.000	None

Angle Member Connectivity:

Member Label	Group Label	Section Label	Symmetry Code	Origin Joint	End Joint	Ecc. Code	Rest. Code	Ratio RLX	Ratio RLY	Ratio RLZ	Bolt Type	# Bolts	# Holes	# Shear Planes	Connect Leg	Short Edge Dist. (in)	Long Edge Dist. (in)	End Dist. (in)	Bolt Spacing (in)	Rest. Coef.	
Rohn-DA1P	Rohn-D1	Tri-Symmetry		RohnAP	RohnAa1	1	4	0.5	0.5	0.5	5/8	A325-N	1	1	1	Long only	0	0	0	0	0
Rohn-DA11	Rohn-D1	Tri-Gen 1		RohnA1	RohnAa2	1	4	0.5	0.5	0.5	5/8	A325-N	1	1	1	Long only	0	0	0	0	0
Rohn-DA12	Rohn-D1	Tri-Gen 2		RohnA2	RohnAaS	1	4	0.5	0.5	0.5	5/8	A325-N	1	1	1	Long only	0	0	0	0	0
Rohn-DA2P	Rohn-D1	Tri-Symmetry		RohnAP	RohnAa2	1	4	0.5	0.5	0.5	5/8	A325-N	1	1	1	Long only	0	0	0	0	0
Rohn-DA21	Rohn-D1	Tri-Gen 1		RohnA1	RohnAaS	1	4	0.5	0.5	0.5	5/8	A325-N	1	1	1	Long only	0	0	0	0	0
Rohn-DA22	Rohn-D1	Tri-Gen 2		RohnA2	RohnAa1	1	4	0.5	0.5	0.5	5/8	A325-N	1	1	1	Long only	0	0	0	0	0
Rohn-DA3P	Rohn-D1	Tri-Symmetry		RohnAaS	RohnAb1	1	4	0.5	0.5	0.5	5/8	A325-N	1	1	1	Long only	0	0	0	0	0
Rohn-DA31	Rohn-D1	Tri-Gen 1		RohnAa1	RohnAb2	1	4	0.5	0.5	0.5	5/8	A325-N	1	1	1	Long only	0	0	0	0	0
Rohn-DA32	Rohn-D1	Tri-Gen 2		RohnAa2	RohnAbS	1	4	0.5	0.5	0.5	5/8	A325-N	1	1	1	Long only	0	0	0	0	0
Rohn-DA4P	Rohn-D1	Tri-Symmetry		RohnAaS	RohnAb2	1	4	0.5	0.5	0.5	5/8	A325-N	1	1	1	Long only	0	0	0	0	0
Rohn-DA41	Rohn-D1	Tri-Gen 1		RohnAa1	RohnAbS	1	4	0.5	0.5	0.5	5/8	A325-N	1	1	1	Long only	0	0	0	0	0
Rohn-DA42	Rohn-D1	Tri-Gen 2		RohnAa2	RohnAb1	1	4	0.5	0.5	0.5	5/8	A325-N	1	1	1	Long only	0	0	0	0	0
Rohn-DA5P	Rohn-D1	Tri-Symmetry		RohnAbS	RohnAc1	1	4	0.5	0.5	0.5	5/8	A325-N	1	1	1	Long only	0	0	0	0	0
Rohn-DA51	Rohn-D1	Tri-Gen 1		RohnAb1	RohnAc2	1	4	0.5	0.5	0.5	5/8	A325-N	1	1	1	Long only	0	0	0	0	0
Rohn-DA52	Rohn-D1	Tri-Gen 2		RohnAb2	RohnAcS	1	4	0.5	0.5	0.5	5/8	A325-N	1	1	1	Long only	0	0	0	0	0
Rohn-DA6P	Rohn-D1	Tri-Symmetry		RohnAbS	RohnAc2	1	4	0.5	0.5	0.5	5/8	A325-N	1	1	1	Long only	0	0	0	0	0
Rohn-DA61	Rohn-D1	Tri-Gen 1		RohnAb1	RohnAcS	1	4	0.5	0.5	0.5	5/8	A325-N	1	1	1	Long only	0	0	0	0	0
Rohn-DA62	Rohn-D1	Tri-Gen 2		RohnAb2	RohnAc1	1	4	0.5	0.5	0.5	5/8	A325-N	1	1	1	Long only	0	0	0	0	0
Rohn-DA7P	Rohn-D1	Tri-Symmetry		RohnAcS	RohnB2	1	4	0.5	0.5	0.5	5/8	A325-N	1	1	1	Long only	0	0	0	0	0

Rohn-LA31	Rohn-L1	Tri-Gen 1	RohnAb1	RohnAc1	1	4	1	1	1	0	0	0	0	0	0	0
Rohn-LA32	Rohn-L1	Tri-Gen 2	RohnAb2	RohnAc2	1	4	1	1	1	0	0	0	0	0	0	0
Rohn-LA4P	Rohn-L1	Tri-Symmetry	RohnAcS	RohnBP	1	4	1	1	1	0	0	0	0	0	0	0
Rohn-LA41	Rohn-L1	Tri-Gen 1	RohnAc1	RohnB1	1	4	1	1	1	0	0	0	0	0	0	0
Rohn-LA42	Rohn-L1	Tri-Gen 2	RohnAc2	RohnB2	1	4	1	1	1	0	0	0	0	0	0	0
Rohn-LB1P	Rohn-L2	Tri-Symmetry	RohnBP	RohnBaS	1	4	1	1	1	0	0	0	0	0	0	0
Rohn-LB11	Rohn-L2	Tri-Gen 1	RohnB1	RohnBa1	1	4	1	1	1	0	0	0	0	0	0	0
Rohn-LB12	Rohn-L2	Tri-Gen 2	RohnB2	RohnBa2	1	4	1	1	1	0	0	0	0	0	0	0
Rohn-LB2P	Rohn-L2	Tri-Symmetry	RohnBaS	RohnBbS	1	4	1	1	1	0	0	0	0	0	0	0
Rohn-LB21	Rohn-L2	Tri-Gen 1	RohnBa1	RohnBb1	1	4	1	1	1	0	0	0	0	0	0	0
Rohn-LB22	Rohn-L2	Tri-Gen 2	RohnBa2	RohnBb2	1	4	1	1	1	0	0	0	0	0	0	0
Rohn-LB3P	Rohn-L2	Tri-Symmetry	RohnBbS	RohnBcS	1	4	1	1	1	0	0	0	0	0	0	0
Rohn-LB31	Rohn-L2	Tri-Gen 1	RohnBb1	RohnBc1	1	4	1	1	1	0	0	0	0	0	0	0
Rohn-LB32	Rohn-L2	Tri-Gen 2	RohnBb2	RohnBc2	1	4	1	1	1	0	0	0	0	0	0	0
Rohn-LB4P	Rohn-L2	Tri-Symmetry	RohnBcS	RohnCP	1	4	1	1	1	0	0	0	0	0	0	0
Rohn-LB41	Rohn-L2	Tri-Gen 1	RohnBc1	RohnC1	1	4	1	1	1	0	0	0	0	0	0	0
Rohn-LB42	Rohn-L2	Tri-Gen 2	RohnBc2	RohnC2	1	4	1	1	1	0	0	0	0	0	0	0
Rohn-LC1P	Rohn-L3	Tri-Symmetry	RohnCP	RohnCaS	1	4	1	1	1	0	0	0	0	0	0	0
Rohn-LC11	Rohn-L3	Tri-Gen 1	RohnC1	RohnCa1	1	4	1	1	1	0	0	0	0	0	0	0
Rohn-LC12	Rohn-L3	Tri-Gen 2	RohnC2	RohnCa2	1	4	1	1	1	0	0	0	0	0	0	0
Rohn-LC2P	Rohn-L3	Tri-Symmetry	RohnCaS	RohnCbS	1	4	1	1	1	0	0	0	0	0	0	0
Rohn-LC21	Rohn-L3	Tri-Gen 1	RohnCa1	RohnCb1	1	4	1	1	1	0	0	0	0	0	0	0
Rohn-LC22	Rohn-L3	Tri-Gen 2	RohnCa2	RohnCb2	1	4	1	1	1	0	0	0	0	0	0	0
Rohn-LC3P	Rohn-L3	Tri-Symmetry	RohnCbS	RohnDP	1	4	1	1	1	0	0	0	0	0	0	0
Rohn-LC31	Rohn-L3	Tri-Gen 1	RohnCb1	RohnD1	1	4	1	1	1	0	0	0	0	0	0	0
Rohn-LC32	Rohn-L3	Tri-Gen 2	RohnCb2	RohnD2	1	4	1	1	1	0	0	0	0	0	0	0
Rohn-LD1P	Rohn-L4	Tri-Symmetry	RohnDP	RohnDaS	1	4	1	1	1	0	0	0	0	0	0	0
Rohn-LD11	Rohn-L4	Tri-Gen 1	RohnD1	RohnDa1	1	4	1	1	1	0	0	0	0	0	0	0
Rohn-LD12	Rohn-L4	Tri-Gen 2	RohnD2	RohnDa2	1	4	1	1	1	0	0	0	0	0	0	0
Rohn-LD2P	Rohn-L4	Tri-Symmetry	RohnDaS	RohnDbS	1	4	1	1	1	0	0	0	0	0	0	0
Rohn-LD21	Rohn-L4	Tri-Gen 1	RohnDa1	RohnDb1	1	4	1	1	1	0	0	0	0	0	0	0
Rohn-LD22	Rohn-L4	Tri-Gen 2	RohnDa2	RohnDb2	1	4	1	1	1	0	0	0	0	0	0	0
Rohn-LD3P	Rohn-L4	Tri-Symmetry	RohnDbS	RohnEP	1	4	1	1	1	0	0	0	0	0	0	0
Rohn-LD31	Rohn-L4	Tri-Gen 1	RohnDb1	RohnE1	1	4	1	1	1	0	0	0	0	0	0	0
Rohn-LD32	Rohn-L4	Tri-Gen 2	RohnDb2	RohnE2	1	4	1	1	1	0	0	0	0	0	0	0
Rohn-LE1P	Rohn-L5	Tri-Symmetry	RohnEP	RohnEaS	1	4	1	1	1	0	0	0	0	0	0	0
Rohn-LE11	Rohn-L5	Tri-Gen 1	RohnE1	RohnEa1	1	4	1	1	1	0	0	0	0	0	0	0
Rohn-LE12	Rohn-L5	Tri-Gen 2	RohnE2	RohnEa2	1	4	1	1	1	0	0	0	0	0	0	0
Rohn-LE2P	Rohn-L5	Tri-Symmetry	RohnEaS	RohnEbS	1	4	1	1	1	0	0	0	0	0	0	0
Rohn-LE21	Rohn-L5	Tri-Gen 1	RohnEa1	RohnEb1	1	4	1	1	1	0	0	0	0	0	0	0
Rohn-LE22	Rohn-L5	Tri-Gen 2	RohnEa2	RohnEb2	1	4	1	1	1	0	0	0	0	0	0	0
Rohn-LE3P	Rohn-L5	Tri-Symmetry	RohnEbS	RohnFP	1	4	1	1	1	0	0	0	0	0	0	0
Rohn-LE31	Rohn-L5	Tri-Gen 1	RohnEb1	RohnF1	1	4	1	1	1	0	0	0	0	0	0	0
Rohn-LE32	Rohn-L5	Tri-Gen 2	RohnEb2	RohnF2	1	4	1	1	1	0	0	0	0	0	0	0
Rohn-LF1P	Rohn-L6	Tri-Symmetry	RohnFP	RohnFaS	1	4	1	1	1	0	0	0	0	0	0	0
Rohn-LF11	Rohn-L6	Tri-Gen 1	RohnF1	RohnFa1	1	4	1	1	1	0	0	0	0	0	0	0
Rohn-LF12	Rohn-L6	Tri-Gen 2	RohnF2	RohnFa2	1	4	1	1	1	0	0	0	0	0	0	0
Rohn-LF2P	Rohn-L6	Tri-Symmetry	RohnFaS	RohnGP	1	4	0.5	0.5	0.5	0	0	0	0	0	0	0
Rohn-LF21	Rohn-L6	Tri-Gen 1	RohnFa1	RohnG1	1	4	0.5	0.5	0.5	0	0	0	0	0	0	0
Rohn-LF22	Rohn-L6	Tri-Gen 2	RohnFa2	RohnG2	1	4	0.5	0.5	0.5	0	0	0	0	0	0	0
Rohn-LG1P	Rohn-L7	Tri-Symmetry	RohnGP	RohnGaS	1	4	1	1	1	0	0	0	0	0	0	0
Rohn-LG11	Rohn-L7	Tri-Gen 1	RohnG1	RohnGa1	1	4	1	1	1	0	0	0	0	0	0	0
Rohn-LG12	Rohn-L7	Tri-Gen 2	RohnG2	RohnGa2	1	4	1	1	1	0	0	0	0	0	0	0
Rohn-LG2P	Rohn-L7	Tri-Symmetry	RohnGaS	RohnHP	1	4	1	1	1	0	0	0	0	0	0	0
Rohn-LG21	Rohn-L7	Tri-Gen 1	RohnGa1	RohnH1	1	4	1	1	1	0	0	0	0	0	0	0
Rohn-LG22	Rohn-L7	Tri-Gen 2	RohnGa2	RohnH2	1	4	1	1	1	0	0	0	0	0	0	0
Rohn-LH1P	Rohn-L7	Tri-Symmetry	RohnHP	RohnHaS	1	4	0.5	0.5	0.5	0	0	0	0	0	0	0
Rohn-LH11	Rohn-L7	Tri-Gen 1	RohnH1	RohnHa1	1	4	0.5	0.5	0.5	0	0	0	0	0	0	0
Rohn-LH12	Rohn-L7	Tri-Gen 2	RohnH2	RohnHa2	1	4	0.5	0.5	0.5	0	0	0	0	0	0	0
Rohn-LH2P	Rohn-L7	Tri-Symmetry	RohnHaS	RohnIP	1	4	0.5	0.5	0.5	0	0	0	0	0	0	0
Rohn-LH21	Rohn-L7	Tri-Gen 1	RohnHa1	RohnI1	1	4	0.5	0.5	0.5	0	0	0	0	0	0	0
Rohn-LH22	Rohn-L7	Tri-Gen 2	RohnHa2	RohnI2	1	4	0.5	0.5	0.5	0	0	0	0	0	0	0
Rohn-LI1P	Rohn-L8	Tri-Symmetry	RohnIP	RohnIaS	1	4	1	1	1	0	0	0	0	0	0	0
Rohn-LI11	Rohn-L8	Tri-Gen 1	RohnI1	RohnIa1	1	4	1	1	1	0	0	0	0	0	0	0
Rohn-LI12	Rohn-L8	Tri-Gen 2	RohnI2	RohnIa2	1	4	1	1	1	0	0	0	0	0	0	0
Rohn-LI2P	Rohn-L8	Tri-Symmetry	RohnIaS	RohnJP	1	4	0.5	0.5	0.5	0	0	0	0	0	0	0
Rohn-LI21	Rohn-L8	Tri-Gen 1	RohnIa1	RohnJ1	1	4	0.5	0.5	0.5	0	0	0	0	0	0	0
Rohn-LI22	Rohn-L8	Tri-Gen 2	RohnIa2	RohnJ2	1	4	0.5	0.5	0.5	0	0	0	0	0	0	0
Rohn-H1P	Rohn-H1	Tri-Symmetry	RohnAP	RohnA1	1	4	0.5	0.5	0.5	0	0	0	0	0	0	0

SNB-LF11	SNB-L4	Tri-Gen 1	SNB-F1	SNB-Fa1	1	4	1	1	1	0	0	0	0	0	0	0
SNB-LF12	SNB-L4	Tri-Gen 2	SNB-F2	SNB-Fa2	1	4	1	1	1	0	0	0	0	0	0	0
SNB-LF2P	SNB-L4	Tri-Symmetry	SNB-FaS	SNB-GP	1	4	1	1	1	0	0	0	0	0	0	0
SNB-LF21	SNB-L4	Tri-Gen 1	SNB-Fa1	SNB-G1	1	4	1	1	1	0	0	0	0	0	0	0
SNB-LF22	SNB-L4	Tri-Gen 2	SNB-Fa2	SNB-G2	1	4	1	1	1	0	0	0	0	0	0	0
SNB-LG1P	SNB-L5	Tri-Symmetry	SNB-GP	SNB-GaS	1	4	1	1	1	0	0	0	0	0	0	0
SNB-LG11	SNB-L5	Tri-Gen 1	SNB-G1	SNB-Ga1	1	4	1	1	1	0	0	0	0	0	0	0
SNB-LG12	SNB-L5	Tri-Gen 2	SNB-G2	SNB-Ga2	1	4	1	1	1	0	0	0	0	0	0	0
SNB-LG2P	SNB-L5	Tri-Symmetry	SNB-GaS	SNB-HP	1	4	1	1	1	0	0	0	0	0	0	0
SNB-LG21	SNB-L5	Tri-Gen 1	SNB-Ga1	SNB-H1	1	4	1	1	1	0	0	0	0	0	0	0
SNB-LG22	SNB-L5	Tri-Gen 2	SNB-Ga2	SNB-H2	1	4	1	1	1	0	0	0	0	0	0	0
SNB-LH1P	SNB-L5	Tri-Symmetry	SNB-HP	SNB-HaS	1	4	1	1	1	0	0	0	0	0	0	0
SNB-LH11	SNB-L5	Tri-Gen 1	SNB-H1	SNB-Ha1	1	4	1	1	1	0	0	0	0	0	0	0
SNB-LH12	SNB-L5	Tri-Gen 2	SNB-H2	SNB-Ha2	1	4	1	1	1	0	0	0	0	0	0	0
SNB-LH2P	SNB-L5	Tri-Symmetry	SNB-HaS	SNB-IP	1	4	0.25	0.25	0.25	0	0	0	0	0	0	0
SNB-LH21	SNB-L5	Tri-Gen 1	SNB-Ha1	SNB-I1	1	4	0.25	0.25	0.25	0	0	0	0	0	0	0
SNB-LH22	SNB-L5	Tri-Gen 2	SNB-Ha2	SNB-I2	1	4	0.25	0.25	0.25	0	0	0	0	0	0	0
SNB-LI1P	SNB-L6	Tri-Symmetry	SNB-IP	SNB-IaS	1	4	1	1	1	0	0	0	0	0	0	0
SNB-LI11	SNB-L6	Tri-Gen 1	SNB-I1	SNB-Ia1	1	4	1	1	1	0	0	0	0	0	0	0
SNB-LI12	SNB-L6	Tri-Gen 2	SNB-I2	SNB-Ia2	1	4	1	1	1	0	0	0	0	0	0	0
SNB-LI2P	SNB-L6	Tri-Symmetry	SNB-IaS	SNB-JP	1	4	0.5	0.5	0.5	0	0	0	0	0	0	0
SNB-LI21	SNB-L6	Tri-Gen 1	SNB-Ia1	SNB-J1	1	4	0.5	0.5	0.5	0	0	0	0	0	0	0
SNB-LI22	SNB-L6	Tri-Gen 2	SNB-Ia2	SNB-J2	1	4	0.5	0.5	0.5	0	0	0	0	0	0	0
Connect AP	Connect	Tri-Symmetry	RohnAP	SNB-AP	1	4	1	1	1	0	0	0	0	0	0	0
Connect A1	Connect	Tri-Gen 1	RohnA1	SNB-A1	1	4	1	1	1	0	0	0	0	0	0	0
Connect A2	Connect	Tri-Gen 2	RohnA2	SNB-A2	1	4	1	1	1	0	0	0	0	0	0	0
Connect AaP	Connect	Tri-Symmetry	RohnAaS	SNB-AaS	1	4	1	1	1	0	0	0	0	0	0	0
Connect Aa1	Connect	Tri-Gen 1	RohnAa1	SNB-Aa1	1	4	1	1	1	0	0	0	0	0	0	0
Connect Aa2	Connect	Tri-Gen 2	RohnAa2	SNB-Aa2	1	4	1	1	1	0	0	0	0	0	0	0
Connect AbP	Connect	Tri-Symmetry	RohnAbS	SNB-AbS	1	4	1	1	1	0	0	0	0	0	0	0
Connect Ab1	Connect	Tri-Gen 1	RohnAb1	SNB-Ab1	1	4	1	1	1	0	0	0	0	0	0	0
Connect Ab2	Connect	Tri-Gen 2	RohnAb2	SNB-Ab2	1	4	1	1	1	0	0	0	0	0	0	0
Connect AcP	Connect	Tri-Symmetry	RohnAcS	SNB-AcS	1	4	1	1	1	0	0	0	0	0	0	0
Connect Ac1	Connect	Tri-Gen 1	RohnAc1	SNB-Ac1	1	4	1	1	1	0	0	0	0	0	0	0
Connect Ac2	Connect	Tri-Gen 2	RohnAc2	SNB-Ac2	1	4	1	1	1	0	0	0	0	0	0	0
Connect BP	Connect	Tri-Symmetry	RohnBP	SNB-BP	1	4	1	1	1	0	0	0	0	0	0	0
Connect B1	Connect	Tri-Gen 1	RohnB1	SNB-B1	1	4	1	1	1	0	0	0	0	0	0	0
Connect B2	Connect	Tri-Gen 2	RohnB2	SNB-B2	1	4	1	1	1	0	0	0	0	0	0	0
Connect BaP	Connect	Tri-Symmetry	RohnBaS	SNB-BaS	1	4	1	1	1	0	0	0	0	0	0	0
Connect Ba1	Connect	Tri-Gen 1	RohnBa1	SNB-Ba1	1	4	1	1	1	0	0	0	0	0	0	0
Connect Ba2	Connect	Tri-Gen 2	RohnBa2	SNB-Ba2	1	4	1	1	1	0	0	0	0	0	0	0
Connect BbP	Connect	Tri-Symmetry	RohnBbS	SNB-BbS	1	4	1	1	1	0	0	0	0	0	0	0
Connect Bb1	Connect	Tri-Gen 1	RohnBb1	SNB-Bb1	1	4	1	1	1	0	0	0	0	0	0	0
Connect Bb2	Connect	Tri-Gen 2	RohnBb2	SNB-Bb2	1	4	1	1	1	0	0	0	0	0	0	0
Connect BcP	Connect	Tri-Symmetry	RohnBcS	SNB-BcS	1	4	1	1	1	0	0	0	0	0	0	0
Connect Bc1	Connect	Tri-Gen 1	RohnBc1	SNB-Bc1	1	4	1	1	1	0	0	0	0	0	0	0
Connect Bc2	Connect	Tri-Gen 2	RohnBc2	SNB-Bc2	1	4	1	1	1	0	0	0	0	0	0	0
Connect CP	Connect	Tri-Symmetry	RohnCP	SNB-CP	1	4	1	1	1	0	0	0	0	0	0	0
Connect C1	Connect	Tri-Gen 1	RohnC1	SNB-C1	1	4	1	1	1	0	0	0	0	0	0	0
Connect C2	Connect	Tri-Gen 2	RohnC2	SNB-C2	1	4	1	1	1	0	0	0	0	0	0	0
Connect CaP	Connect	Tri-Symmetry	RohnCaS	SNB-CaS	1	4	1	1	1	0	0	0	0	0	0	0
Connect Ca1	Connect	Tri-Gen 1	RohnCa1	SNB-Ca1	1	4	1	1	1	0	0	0	0	0	0	0
Connect Ca2	Connect	Tri-Gen 2	RohnCa2	SNB-Ca2	1	4	1	1	1	0	0	0	0	0	0	0
Connect CbP	Connect	Tri-Symmetry	RohnCbS	SNB-CbS	1	4	1	1	1	0	0	0	0	0	0	0
Connect Cb1	Connect	Tri-Gen 1	RohnCb1	SNB-Cb1	1	4	1	1	1	0	0	0	0	0	0	0
Connect Cb2	Connect	Tri-Gen 2	RohnCb2	SNB-Cb2	1	4	1	1	1	0	0	0	0	0	0	0
Connect DP	Connect	Tri-Symmetry	RohnDP	SNB-DP	1	4	1	1	1	0	0	0	0	0	0	0
Connect D1	Connect	Tri-Gen 1	RohnD1	SNB-D1	1	4	1	1	1	0	0	0	0	0	0	0
Connect D2	Connect	Tri-Gen 2	RohnD2	SNB-D2	1	4	1	1	1	0	0	0	0	0	0	0
Connect DaP	Connect	Tri-Symmetry	RohnDaS	SNB-DaS	1	4	1	1	1	0	0	0	0	0	0	0
Connect Da1	Connect	Tri-Gen 1	RohnDa1	SNB-Da1	1	4	1	1	1	0	0	0	0	0	0	0
Connect Da2	Connect	Tri-Gen 2	RohnDa2	SNB-Da2	1	4	1	1	1	0	0	0	0	0	0	0
Connect DbP	Connect	Tri-Symmetry	RohnDbS	SNB-DbS	1	4	1	1	1	0	0	0	0	0	0	0
Connect Db1	Connect	Tri-Gen 1	RohnDb1	SNB-Db1	1	4	1	1	1	0	0	0	0	0	0	0
Connect Db2	Connect	Tri-Gen 2	RohnDb2	SNB-Db2	1	4	1	1	1	0	0	0	0	0	0	0
Connect EP	Connect	Tri-Symmetry	RohnEP	SNB-EP	1	4	1	1	1	0	0	0	0	0	0	0
Connect E1	Connect	Tri-Gen 1	RohnE1	SNB-E1	1	4	1	1	1	0	0	0	0	0	0	0
Connect E2	Connect	Tri-Gen 2	RohnE2	SNB-E2	1	4	1	1	1	0	0	0	0	0	0	0
Connect EaP	Connect	Tri-Symmetry	RohnEaS	SNB-EaS	1	4	1	1	1	0	0	0	0	0	0	0

Connect Ea1	Connect	Tri-Gen 1	RohnEa1	SNB-Ea1	1	4	1	1	1	0	0	0	0	0	0	0	0
Connect Ea2	Connect	Tri-Gen 2	RohnEa2	SNB-Ea2	1	4	1	1	1	0	0	0	0	0	0	0	0
Connect EbP	Connect	Tri-Symmetry	RohnEbS	SNB-EbS	1	4	1	1	1	0	0	0	0	0	0	0	0
Connect Eb1	Connect	Tri-Gen 1	RohnEb1	SNB-Eb1	1	4	1	1	1	0	0	0	0	0	0	0	0
Connect Eb2	Connect	Tri-Gen 2	RohnEb2	SNB-Eb2	1	4	1	1	1	0	0	0	0	0	0	0	0
Connect FP	Connect	Tri-Symmetry	RohnFP	SNB-FP	1	4	1	1	1	0	0	0	0	0	0	0	0
Connect F1	Connect	Tri-Gen 1	RohnF1	SNB-F1	1	4	1	1	1	0	0	0	0	0	0	0	0
Connect F2	Connect	Tri-Gen 2	RohnF2	SNB-F2	1	4	1	1	1	0	0	0	0	0	0	0	0
Connect FaP	Connect	Tri-Symmetry	RohnFaS	SNB-FaS	1	4	1	1	1	0	0	0	0	0	0	0	0
Connect Fa1	Connect	Tri-Gen 1	RohnFa1	SNB-Fa1	1	4	1	1	1	0	0	0	0	0	0	0	0
Connect Fa2	Connect	Tri-Gen 2	RohnFa2	SNB-Fa2	1	4	1	1	1	0	0	0	0	0	0	0	0
Connect GP	Connect	Tri-Symmetry	RohnGP	SNB-GP	1	4	1	1	1	0	0	0	0	0	0	0	0
Connect G1	Connect	Tri-Gen 1	RohnG1	SNB-G1	1	4	1	1	1	0	0	0	0	0	0	0	0
Connect G2	Connect	Tri-Gen 2	RohnG2	SNB-G2	1	4	1	1	1	0	0	0	0	0	0	0	0
Connect GaP	Connect	Tri-Symmetry	RohnGaS	SNB-GaS	1	4	1	1	1	0	0	0	0	0	0	0	0
Connect Ga1	Connect	Tri-Gen 1	RohnGa1	SNB-Ga1	1	4	1	1	1	0	0	0	0	0	0	0	0
Connect Ga2	Connect	Tri-Gen 2	RohnGa2	SNB-Ga2	1	4	1	1	1	0	0	0	0	0	0	0	0
Connect HP	Connect	Tri-Symmetry	RohnHP	SNB-HP	1	4	1	1	1	0	0	0	0	0	0	0	0
Connect H1	Connect	Tri-Gen 1	RohnH1	SNB-H1	1	4	1	1	1	0	0	0	0	0	0	0	0
Connect H2	Connect	Tri-Gen 2	RohnH2	SNB-H2	1	4	1	1	1	0	0	0	0	0	0	0	0
Connect HaP	Connect	Tri-Symmetry	RohnHaS	SNB-HaS	1	4	1	1	1	0	0	0	0	0	0	0	0
Connect Ha1	Connect	Tri-Gen 1	RohnHa1	SNB-Ha1	1	4	1	1	1	0	0	0	0	0	0	0	0
Connect Ha2	Connect	Tri-Gen 2	RohnHa2	SNB-Ha2	1	4	1	1	1	0	0	0	0	0	0	0	0
Connect IP	Connect	Tri-Symmetry	RohnIP	SNB-IP	1	4	1	1	1	0	0	0	0	0	0	0	0
Connect I1	Connect	Tri-Gen 1	RohnI1	SNB-I1	1	4	1	1	1	0	0	0	0	0	0	0	0
Connect I2	Connect	Tri-Gen 2	RohnI2	SNB-I2	1	4	1	1	1	0	0	0	0	0	0	0	0
Connect IaP	Connect	Tri-Symmetry	RohnIaS	SNB-IaS	1	4	1	1	1	0	0	0	0	0	0	0	0
Connect Ia1	Connect	Tri-Gen 1	RohnIa1	SNB-Ia1	1	4	1	1	1	0	0	0	0	0	0	0	0
Connect Ia2	Connect	Tri-Gen 2	RohnIa2	SNB-Ia2	1	4	1	1	1	0	0	0	0	0	0	0	0
SNB-H1aP	SNB-H1	None	SNB-AP	SNB-WL-A1S	1	4	1	1	1	0	0	0	0	0	0	0	0
SNB-H1bP	SNB-H1	None	SNB-WL-A1S	SNB-A1	1	4	1	1	1	0	0	0	0	0	0	0	0
SNB-H1cP	SNB-H1	None	SNB-A1	SNB-WL-A2S	1	4	1	1	1	0	0	0	0	0	0	0	0
SNB-H1dP	SNB-H1	None	SNB-WL-A2S	SNB-A2	1	4	1	1	1	0	0	0	0	0	0	0	0
SNB-H1eP	SNB-H1	None	SNB-A2	SNB-WL-A3S	1	4	1	1	1	0	0	0	0	0	0	0	0
SNB-H1fP	SNB-H1	None	SNB-WL-A3S	SNB-AP	1	4	1	1	1	0	0	0	0	0	0	0	0
SNB-H2aP	SNB-H1	None	SNB-BP	SNB-WL-B1S	1	4	1	1	1	0	0	0	0	0	0	0	0
SNB-H2bP	SNB-H1	None	SNB-WL-B1S	SNB-B1	1	4	1	1	1	0	0	0	0	0	0	0	0
SNB-H2cP	SNB-H1	None	SNB-B1	SNB-WL-B2S	1	4	1	1	1	0	0	0	0	0	0	0	0
SNB-H2dP	SNB-H1	None	SNB-WL-B2S	SNB-B2	1	4	1	1	1	0	0	0	0	0	0	0	0
SNB-H2eP	SNB-H1	None	SNB-B2	SNB-WL-B3S	1	4	1	1	1	0	0	0	0	0	0	0	0
SNB-H2fP	SNB-H1	None	SNB-WL-B3S	SNB-BP	1	4	1	1	1	0	0	0	0	0	0	0	0
SNB-H3aP	SNB-H1	None	SNB-CP	SNB-WL-C1S	1	4	1	1	1	0	0	0	0	0	0	0	0
SNB-H3bP	SNB-H1	None	SNB-WL-C1S	SNB-C1	1	4	1	1	1	0	0	0	0	0	0	0	0
SNB-H3cP	SNB-H1	None	SNB-C1	SNB-WL-C2S	1	4	1	1	1	0	0	0	0	0	0	0	0
SNB-H3dP	SNB-H1	None	SNB-WL-C2S	SNB-C2	1	4	1	1	1	0	0	0	0	0	0	0	0
SNB-H3eP	SNB-H1	None	SNB-C2	SNB-WL-C3S	1	4	1	1	1	0	0	0	0	0	0	0	0
SNB-H3fP	SNB-H1	None	SNB-WL-C3S	SNB-CP	1	4	1	1	1	0	0	0	0	0	0	0	0
SNB-H4aP	SNB-H1	None	SNB-DP	SNB-WL-D1S	1	4	1	1	1	0	0	0	0	0	0	0	0
SNB-H4bP	SNB-H1	None	SNB-WL-D1S	SNB-D1	1	4	1	1	1	0	0	0	0	0	0	0	0
SNB-H4cP	SNB-H1	None	SNB-D1	SNB-WL-D2S	1	4	1	1	1	0	0	0	0	0	0	0	0
SNB-H4dP	SNB-H1	None	SNB-WL-D2S	SNB-D2	1	4	1	1	1	0	0	0	0	0	0	0	0
SNB-H4eP	SNB-H1	None	SNB-D2	SNB-WL-D3S	1	4	1	1	1	0	0	0	0	0	0	0	0
SNB-H4fP	SNB-H1	None	SNB-WL-D3S	SNB-DP	1	4	1	1	1	0	0	0	0	0	0	0	0
SNB-H5aP	SNB-H2	None	SNB-EP	SNB-WL-E1S	1	4	1	1	1	0	0	0	0	0	0	0	0
SNB-H5bP	SNB-H2	None	SNB-WL-E1S	SNB-E1	1	4	1	1	1	0	0	0	0	0	0	0	0
SNB-H5cP	SNB-H2	None	SNB-E1	SNB-WL-E2S	1	4	1	1	1	0	0	0	0	0	0	0	0
SNB-H5dP	SNB-H2	None	SNB-WL-E2S	SNB-E2	1	4	1	1	1	0	0	0	0	0	0	0	0
SNB-H5eP	SNB-H2	None	SNB-E2	SNB-WL-E3S	1	4	1	1	1	0	0	0	0	0	0	0	0
SNB-H5fP	SNB-H2	None	SNB-WL-E3S	SNB-EP	1	4	1	1	1	0	0	0	0	0	0	0	0
SNB-H6aP	SNB-H2	None	SNB-FP	SNB-WL-F1S	1	4	1	1	1	0	0	0	0	0	0	0	0
SNB-H6bP	SNB-H2	None	SNB-WL-F1S	SNB-F1	1	4	1	1	1	0	0	0	0	0	0	0	0
SNB-H6cP	SNB-H2	None	SNB-F1	SNB-WL-F2S	1	4	1	1	1	0	0	0	0	0	0	0	0
SNB-H6dP	SNB-H2	None	SNB-WL-F2S	SNB-F2	1	4	1	1	1	0	0	0	0	0	0	0	0
SNB-H6eP	SNB-H2	None	SNB-F2	SNB-WL-F3S	1	4	1	1	1	0	0	0	0	0	0	0	0
SNB-H6fP	SNB-H2	None	SNB-WL-F3S	SNB-FP	1	4	1	1	1	0	0	0	0	0	0	0	0
SNB-H7aP	SNB-H2	None	SNB-GP	SNB-WL-G1S	1	4	1	1	1	0	0	0	0	0	0	0	0
SNB-H7bP	SNB-H2	None	SNB-WL-G1S	SNB-G1	1	4	1	1	1	0	0	0	0	0	0	0	0
SNB-H7cP	SNB-H2	None	SNB-G1	SNB-WL-G2S	1	4	1	1	1	0	0	0	0	0	0	0	0
SNB-H7dP	SNB-H2	None	SNB-WL-G2S	SNB-G2	1	4	1	1	1	0	0	0	0	0	0	0	0

SNB-H7eP	SNB-H2	None	SNB-G2	SNB-WL-G3S	1	4	1	1	1	0	0	0	0	0	0	0	0	0	0
SNB-H7fP	SNB-H2	None	SNB-WL-G3S	SNB-GP	1	4	1	1	1	0	0	0	0	0	0	0	0	0	0
SNB-H8aP	SNB-H2	None	SNB-HP	SNB-WL-H1S	1	4	1	1	1	0	0	0	0	0	0	0	0	0	0
SNB-H8bP	SNB-H2	None	SNB-WL-H1S	SNB-H1	1	4	1	1	1	0	0	0	0	0	0	0	0	0	0
SNB-H8cP	SNB-H2	None	SNB-H1	SNB-WL-H2S	1	4	1	1	1	0	0	0	0	0	0	0	0	0	0
SNB-H8dP	SNB-H2	None	SNB-WL-H2S	SNB-H2	1	4	1	1	1	0	0	0	0	0	0	0	0	0	0
SNB-H8eP	SNB-H2	None	SNB-H2	SNB-WL-H3S	1	4	1	1	1	0	0	0	0	0	0	0	0	0	0
SNB-H8fP	SNB-H2	None	SNB-WL-H3S	SNB-HP	1	4	1	1	1	0	0	0	0	0	0	0	0	0	0
SNB-H9aP	SNB-H2	None	SNB-IP	SNB-WL-I1S	1	4	1	1	1	0	0	0	0	0	0	0	0	0	0
SNB-H9bP	SNB-H2	None	SNB-WL-I1S	SNB-I1	1	4	1	1	1	0	0	0	0	0	0	0	0	0	0
SNB-H9cP	SNB-H2	None	SNB-I1	SNB-WL-I2S	1	4	1	1	1	0	0	0	0	0	0	0	0	0	0
SNB-H9dP	SNB-H2	None	SNB-WL-I2S	SNB-I2	1	4	1	1	1	0	0	0	0	0	0	0	0	0	0
SNB-H9eP	SNB-H2	None	SNB-I2	SNB-WL-I3S	1	4	1	1	1	0	0	0	0	0	0	0	0	0	0
SNB-H9fP	SNB-H2	None	SNB-WL-I3S	SNB-IP	1	4	1	1	1	0	0	0	0	0	0	0	0	0	0
SNB-WL-A1P	WLAC-1	None	SNB-WL-A1S	SNB-WL-A2S	1	4	1	1	1	0	0	0	0	0	0	0	0	0	0
SNB-WL-A2P	WLAC-1	None	SNB-WL-A2S	SNB-WL-A3S	1	4	1	1	1	0	0	0	0	0	0	0	0	0	0
SNB-WL-A3P	WLAC-1	None	SNB-WL-A3S	SNB-WL-A1S	1	4	1	1	1	0	0	0	0	0	0	0	0	0	0
SNB-WL-B1P	WLAC-1	None	SNB-WL-B1S	SNB-WL-B2S	1	4	1	1	1	0	0	0	0	0	0	0	0	0	0
SNB-WL-B2P	WLAC-1	None	SNB-WL-B2S	SNB-WL-B3S	1	4	1	1	1	0	0	0	0	0	0	0	0	0	0
SNB-WL-B3P	WLAC-1	None	SNB-WL-B3S	SNB-WL-B1S	1	4	1	1	1	0	0	0	0	0	0	0	0	0	0
SNB-WL-C1P	WLAC-1	None	SNB-WL-C1S	SNB-WL-C2S	1	4	1	1	1	0	0	0	0	0	0	0	0	0	0
SNB-WL-C2P	WLAC-1	None	SNB-WL-C2S	SNB-WL-C3S	1	4	1	1	1	0	0	0	0	0	0	0	0	0	0
SNB-WL-C3P	WLAC-1	None	SNB-WL-C3S	SNB-WL-C1S	1	4	1	1	1	0	0	0	0	0	0	0	0	0	0
SNB-WL-D1P	WLAC-1	None	SNB-WL-D1S	SNB-WL-D2S	1	4	1	1	1	0	0	0	0	0	0	0	0	0	0
SNB-WL-D2P	WLAC-1	None	SNB-WL-D2S	SNB-WL-D3S	1	4	1	1	1	0	0	0	0	0	0	0	0	0	0
SNB-WL-D3P	WLAC-1	None	SNB-WL-D3S	SNB-WL-D1S	1	4	1	1	1	0	0	0	0	0	0	0	0	0	0
SNB-WL-E1P	WLAC-2	None	SNB-WL-E1S	SNB-WL-E2S	1	4	1	1	1	0	0	0	0	0	0	0	0	0	0
SNB-WL-E2P	WLAC-2	None	SNB-WL-E2S	SNB-WL-E3S	1	4	1	1	1	0	0	0	0	0	0	0	0	0	0
SNB-WL-E3P	WLAC-2	None	SNB-WL-E3S	SNB-WL-E1S	1	4	1	1	1	0	0	0	0	0	0	0	0	0	0
SNB-WL-F1P	WLAC-2	None	SNB-WL-F1S	SNB-WL-F2S	1	4	1	1	1	0	0	0	0	0	0	0	0	0	0
SNB-WL-F2P	WLAC-2	None	SNB-WL-F2S	SNB-WL-F3S	1	4	1	1	1	0	0	0	0	0	0	0	0	0	0
SNB-WL-F3P	WLAC-2	None	SNB-WL-F3S	SNB-WL-F1S	1	4	1	1	1	0	0	0	0	0	0	0	0	0	0
SNB-WL-G1P	WLAC-2	None	SNB-WL-G1S	SNB-WL-G2S	1	4	1	1	1	0	0	0	0	0	0	0	0	0	0
SNB-WL-G2P	WLAC-2	None	SNB-WL-G2S	SNB-WL-G3S	1	4	1	1	1	0	0	0	0	0	0	0	0	0	0
SNB-WL-G3P	WLAC-2	None	SNB-WL-G3S	SNB-WL-G1S	1	4	1	1	1	0	0	0	0	0	0	0	0	0	0
SNB-WL-H1P	WLAC-2	None	SNB-WL-H1S	SNB-WL-H2S	1	4	1	1	1	0	0	0	0	0	0	0	0	0	0
SNB-WL-H2P	WLAC-2	None	SNB-WL-H2S	SNB-WL-H3S	1	4	1	1	1	0	0	0	0	0	0	0	0	0	0
SNB-WL-H3P	WLAC-2	None	SNB-WL-H3S	SNB-WL-H1S	1	4	1	1	1	0	0	0	0	0	0	0	0	0	0
SNB-WL-I1P	WLAC-2	None	SNB-WL-I1S	SNB-WL-I2S	1	4	1	1	1	0	0	0	0	0	0	0	0	0	0
SNB-WL-I2P	WLAC-2	None	SNB-WL-I2S	SNB-WL-I3S	1	4	1	1	1	0	0	0	0	0	0	0	0	0	0
SNB-WL-I3P	WLAC-2	None	SNB-WL-I3S	SNB-WL-I1S	1	4	1	1	1	0	0	0	0	0	0	0	0	0	0

Member Capacities and Overrides:

Member	Group	Design	Comp.	Design	Tension	L/r	Length	L/r	Connection	Connection	Net	Rupture	RTE	End	RTE	Edge	Override	Override	Override	Override
Warnings	Label	Label	Comp.	Control	Tension	Control		Comp.	Shear	Bearing	Section	Tension	Dist.	Dist.	Comp.	Comp.	Tension	Tension	Face or	
Errors			Capacity	Criterion	Capacity	Criterion	(ft)	Capacity	Capacity	Capacity	Tension	Capacity	Tension	Tension	Capacity	Control	Capacity	Control	Member	
			(kips)		(kips)			(kips)	(kips)	(kips)	Capacity	(kips)	(kips)	(kips)	(kips)	Criterion	(kips)	Criterion	ship	
--																				
Rohn-DA1P	Rohn-D1	5.454	L/r	7.750	Rupture	160	9.16	5.454	12.433	13.050	16.022	7.750	0.000	0.000	0.000		0.000		Automatic	
Rohn-DA11	Rohn-D1	5.454	L/r	7.750	Rupture	160	9.16	5.454	12.433	13.050	16.022	7.750	0.000	0.000	0.000		0.000		Automatic	
Rohn-DA12	Rohn-D1	5.454	L/r	7.750	Rupture	160	9.16	5.454	12.433	13.050	16.022	7.750	0.000	0.000	0.000		0.000		Automatic	
Rohn-DA2P	Rohn-D1	5.454	L/r	7.750	Rupture	160	9.16	5.454	12.433	13.050	16.022	7.750	0.000	0.000	0.000		0.000		Automatic	
Rohn-DA21	Rohn-D1	5.454	L/r	7.750	Rupture	160	9.16	5.454	12.433	13.050	16.022	7.750	0.000	0.000	0.000		0.000		Automatic	
Rohn-DA22	Rohn-D1	5.454	L/r	7.750	Rupture	160	9.16	5.454	12.433	13.050	16.022	7.750	0.000	0.000	0.000		0.000		Automatic	
Rohn-DA3P	Rohn-D1	5.127	L/r	7.750	Rupture	165	9.45	5.127	12.433	13.050	16.022	7.750	0.000	0.000	0.000		0.000		Automatic	
Rohn-DA31	Rohn-D1	5.127	L/r	7.750	Rupture	165	9.45	5.127	12.433	13.050	16.022	7.750	0.000	0.000	0.000		0.000		Automatic	
Rohn-DA32	Rohn-D1	5.127	L/r	7.750	Rupture	165	9.45	5.127	12.433	13.050	16.022	7.750	0.000	0.000	0.000		0.000		Automatic	
Rohn-DA4P	Rohn-D1	5.127	L/r	7.750	Rupture	165	9.45	5.127	12.433	13.050	16.022	7.750	0.000	0.000	0.000		0.000		Automatic	
Rohn-DA41	Rohn-D1	5.127	L/r	7.750	Rupture	165	9.45	5.127	12.433	13.050	16.022	7.750	0.000	0.000	0.000		0.000		Automatic	
Rohn-DA42	Rohn-D1	5.127	L/r	7.750	Rupture	165	9.45	5.127	12.433	13.050	16.022	7.750	0.000	0.000	0.000		0.000		Automatic	
Rohn-DA5P	Rohn-D1	4.825	L/r	7.750	Rupture	170	9.74	4.825	12.433	13.050	16.022	7.750	0.000	0.000	0.000		0.000		Automatic	
Rohn-DA51	Rohn-D1	4.825	L/r	7.750	Rupture	170	9.74	4.825	12.433	13.050	16.022	7.750	0.000	0.000	0.000		0.000		Automatic	
Rohn-DA52	Rohn-D1	4.825	L/r	7.750	Rupture	170	9.74	4.825	12.433	13.050	16.022	7.750	0.000	0.000	0.000		0.000		Automatic	
Rohn-DA6P	Rohn-D1	4.825	L/r	7.750	Rupture	170	9.74	4.825	12.433	13.050	16.022	7.750	0.000	0.000	0.000		0.000		Automatic	

SNB-H7bP	SNB-H2	174.858	L/r	201.204	Net Sect	52	6.11	174.858	0.000	0.000	201.204	0.000	0.000	0.000	0.000	0.000	Automatic
SNB-H7cP	SNB-H2	174.858	L/r	201.204	Net Sect	52	6.11	174.858	0.000	0.000	201.204	0.000	0.000	0.000	0.000	0.000	Automatic
SNB-H7dP	SNB-H2	174.858	L/r	201.204	Net Sect	52	6.11	174.858	0.000	0.000	201.204	0.000	0.000	0.000	0.000	0.000	Automatic
SNB-H7eP	SNB-H2	174.858	L/r	201.204	Net Sect	52	6.11	174.858	0.000	0.000	201.204	0.000	0.000	0.000	0.000	0.000	Automatic
SNB-H7fP	SNB-H2	174.858	L/r	201.204	Net Sect	52	6.11	174.858	0.000	0.000	201.204	0.000	0.000	0.000	0.000	0.000	Automatic
SNB-H8aP	SNB-H2	169.180	L/r	201.204	Net Sect	57	6.79	169.180	0.000	0.000	201.204	0.000	0.000	0.000	0.000	0.000	Automatic
SNB-H8bP	SNB-H2	169.180	L/r	201.204	Net Sect	57	6.79	169.180	0.000	0.000	201.204	0.000	0.000	0.000	0.000	0.000	Automatic
SNB-H8cP	SNB-H2	169.180	L/r	201.204	Net Sect	57	6.79	169.180	0.000	0.000	201.204	0.000	0.000	0.000	0.000	0.000	Automatic
SNB-H8dP	SNB-H2	169.180	L/r	201.204	Net Sect	57	6.79	169.180	0.000	0.000	201.204	0.000	0.000	0.000	0.000	0.000	Automatic
SNB-H8eP	SNB-H2	169.180	L/r	201.204	Net Sect	57	6.79	169.180	0.000	0.000	201.204	0.000	0.000	0.000	0.000	0.000	Automatic
SNB-H8fP	SNB-H2	169.180	L/r	201.204	Net Sect	57	6.79	169.180	0.000	0.000	201.204	0.000	0.000	0.000	0.000	0.000	Automatic
SNB-H9aP	SNB-H2	163.108	L/r	201.204	Net Sect	63	7.47	163.108	0.000	0.000	201.204	0.000	0.000	0.000	0.000	0.000	Automatic
SNB-H9bP	SNB-H2	163.108	L/r	201.204	Net Sect	63	7.47	163.108	0.000	0.000	201.204	0.000	0.000	0.000	0.000	0.000	Automatic
SNB-H9cP	SNB-H2	163.108	L/r	201.204	Net Sect	63	7.47	163.108	0.000	0.000	201.204	0.000	0.000	0.000	0.000	0.000	Automatic
SNB-H9dP	SNB-H2	163.108	L/r	201.204	Net Sect	63	7.47	163.108	0.000	0.000	201.204	0.000	0.000	0.000	0.000	0.000	Automatic
SNB-H9eP	SNB-H2	163.108	L/r	201.204	Net Sect	63	7.47	163.108	0.000	0.000	201.204	0.000	0.000	0.000	0.000	0.000	Automatic
SNB-H9fP	SNB-H2	163.108	L/r	201.204	Net Sect	63	7.47	163.108	0.000	0.000	201.204	0.000	0.000	0.000	0.000	0.000	Automatic
SNB-WL-A1P	WLAC-1	24.875	L/r	30.456	Net Sect	62	2.02	24.875	0.000	0.000	30.456	0.000	0.000	0.000	0.000	0.000	Automatic
SNB-WL-A2P	WLAC-1	24.875	L/r	30.456	Net Sect	62	2.02	24.875	0.000	0.000	30.456	0.000	0.000	0.000	0.000	0.000	Automatic
SNB-WL-A3P	WLAC-1	24.875	L/r	30.456	Net Sect	62	2.02	24.875	0.000	0.000	30.456	0.000	0.000	0.000	0.000	0.000	Automatic
SNB-WL-B1P	WLAC-1	21.201	L/r	30.456	Net Sect	83	2.70	21.201	0.000	0.000	30.456	0.000	0.000	0.000	0.000	0.000	Automatic
SNB-WL-B2P	WLAC-1	21.201	L/r	30.456	Net Sect	83	2.70	21.201	0.000	0.000	30.456	0.000	0.000	0.000	0.000	0.000	Automatic
SNB-WL-B3P	WLAC-1	21.201	L/r	30.456	Net Sect	83	2.70	21.201	0.000	0.000	30.456	0.000	0.000	0.000	0.000	0.000	Automatic
SNB-WL-C1P	WLAC-1	17.258	L/r	30.456	Net Sect	104	3.38	17.258	0.000	0.000	30.456	0.000	0.000	0.000	0.000	0.000	Automatic
SNB-WL-C2P	WLAC-1	17.258	L/r	30.456	Net Sect	104	3.38	17.258	0.000	0.000	30.456	0.000	0.000	0.000	0.000	0.000	Automatic
SNB-WL-C3P	WLAC-1	17.258	L/r	30.456	Net Sect	104	3.38	17.258	0.000	0.000	30.456	0.000	0.000	0.000	0.000	0.000	Automatic
SNB-WL-D1P	WLAC-1	13.417	L/r	30.456	Net Sect	125	4.07	13.417	0.000	0.000	30.456	0.000	0.000	0.000	0.000	0.000	Automatic
SNB-WL-D2P	WLAC-1	13.417	L/r	30.456	Net Sect	125	4.07	13.417	0.000	0.000	30.456	0.000	0.000	0.000	0.000	0.000	Automatic
SNB-WL-D3P	WLAC-1	13.417	L/r	30.456	Net Sect	125	4.07	13.417	0.000	0.000	30.456	0.000	0.000	0.000	0.000	0.000	Automatic
SNB-WL-E1P	WLAC-2	23.157	L/r	47.304	Net Sect	116	4.75	23.157	0.000	0.000	47.304	0.000	0.000	0.000	0.000	0.000	Automatic
SNB-WL-E2P	WLAC-2	23.157	L/r	47.304	Net Sect	116	4.75	23.157	0.000	0.000	47.304	0.000	0.000	0.000	0.000	0.000	Automatic
SNB-WL-E3P	WLAC-2	23.157	L/r	47.304	Net Sect	116	4.75	23.157	0.000	0.000	47.304	0.000	0.000	0.000	0.000	0.000	Automatic
SNB-WL-F1P	WLAC-2	18.587	L/r	47.304	Net Sect	133	5.43	18.587	0.000	0.000	47.304	0.000	0.000	0.000	0.000	0.000	Automatic
SNB-WL-F2P	WLAC-2	18.587	L/r	47.304	Net Sect	133	5.43	18.587	0.000	0.000	47.304	0.000	0.000	0.000	0.000	0.000	Automatic
SNB-WL-F3P	WLAC-2	18.587	L/r	47.304	Net Sect	133	5.43	18.587	0.000	0.000	47.304	0.000	0.000	0.000	0.000	0.000	Automatic
SNB-WL-G1P	WLAC-2	14.672	L/r	47.304	Net Sect	150	6.11	14.672	0.000	0.000	47.304	0.000	0.000	0.000	0.000	0.000	Automatic
SNB-WL-G2P	WLAC-2	14.672	L/r	47.304	Net Sect	150	6.11	14.672	0.000	0.000	47.304	0.000	0.000	0.000	0.000	0.000	Automatic
SNB-WL-G3P	WLAC-2	14.672	L/r	47.304	Net Sect	150	6.11	14.672	0.000	0.000	47.304	0.000	0.000	0.000	0.000	0.000	Automatic
SNB-WL-H1P	WLAC-2	11.878	L/r	47.304	Net Sect	167	6.79	11.878	0.000	0.000	47.304	0.000	0.000	0.000	0.000	0.000	Automatic
SNB-WL-H2P	WLAC-2	11.878	L/r	47.304	Net Sect	167	6.79	11.878	0.000	0.000	47.304	0.000	0.000	0.000	0.000	0.000	Automatic
SNB-WL-H3P	WLAC-2	11.878	L/r	47.304	Net Sect	167	6.79	11.878	0.000	0.000	47.304	0.000	0.000	0.000	0.000	0.000	Automatic
SNB-WL-I1P	WLAC-2	9.810	L/r	47.304	Net Sect	183	7.47	9.810	0.000	0.000	47.304	0.000	0.000	0.000	0.000	0.000	Automatic
SNB-WL-I2P	WLAC-2	9.810	L/r	47.304	Net Sect	183	7.47	9.810	0.000	0.000	47.304	0.000	0.000	0.000	0.000	0.000	Automatic
SNB-WL-I3P	WLAC-2	9.810	L/r	47.304	Net Sect	183	7.47	9.810	0.000	0.000	47.304	0.000	0.000	0.000	0.000	0.000	Automatic

The model contains 612 angle members.

Section Joint Information:

Section Label	Joint Label	Joint Elevation (ft)
A	RohnAP	180.000
A	RohnAa1	175.000
A	RohnA1	180.000
A	RohnAa2	175.000
A	RohnA2	180.000
A	RohnAaS	175.000
A	RohnAb1	170.000
A	RohnAb2	170.000
A	RohnAbS	170.000
A	RohnAc1	165.000
A	RohnAc2	165.000
A	RohnAcS	165.000
A	RohnB2	160.000
A	RohnBP	160.000
A	RohnB1	160.000
A	SNB-AP	180.000

A	SNB-Aa1	175.000
A	SNB-A1	180.000
A	SNB-Aa2	175.000
A	SNB-A2	180.000
A	SNB-AaS	175.000
A	SNB-Ab1	170.000
A	SNB-Ab2	170.000
A	SNB-AbS	170.000
A	SNB-Ac1	165.000
A	SNB-Ac2	165.000
A	SNB-AcS	165.000
A	SNB-B1	160.000
A	SNB-B2	160.000
A	SNB-BP	160.000
A	SNB-WL-A1S	180.000
A	SNB-WL-A2S	180.000
A	SNB-WL-A3S	180.000
A	SNB-WL-B1S	160.000
A	SNB-WL-B2S	160.000
A	SNB-WL-B3S	160.000
B	RohnBP	160.000
B	RohnBa1	155.000
B	RohnB1	160.000
B	RohnBa2	155.000
B	RohnB2	160.000
B	RohnBaS	155.000
B	RohnBb1	150.000
B	RohnBb2	150.000
B	RohnBbS	150.000
B	RohnBc1	145.000
B	RohnBc2	145.000
B	RohnBcS	145.000
B	RohnC1	140.000
B	RohnC2	140.000
B	RohnCP	140.000
B	SNB-BP	160.000
B	SNB-Ba1	155.000
B	SNB-B1	160.000
B	SNB-Ba2	155.000
B	SNB-B2	160.000
B	SNB-BaS	155.000
B	SNB-Bb1	150.000
B	SNB-Bb2	150.000
B	SNB-BbS	150.000
B	SNB-Bc1	145.000
B	SNB-Bc2	145.000
B	SNB-BcS	145.000
B	SNB-C1	140.000
B	SNB-C2	140.000
B	SNB-CP	140.000
B	SNB-WL-C1S	140.000
B	SNB-WL-C2S	140.000
B	SNB-WL-C3S	140.000
C	RohnCP	140.000
C	RohnCa1	133.340
C	RohnC1	140.000
C	RohnCa2	133.340
C	RohnC2	140.000
C	RohnCaS	133.340
C	RohnCb1	126.660
C	RohnCb2	126.660
C	RohnCbS	126.660
C	RohnD1	120.000
C	RohnD2	120.000
C	RohnDP	120.000
C	SNB-CP	140.000
C	SNB-Ca1	133.340
C	SNB-C1	140.000
C	SNB-Ca2	133.340

C	SNB-C2	140.000
C	SNB-CaS	133.340
C	SNB-Cb1	126.660
C	SNB-Cb2	126.660
C	SNB-CbS	126.660
C	SNB-D1	120.000
C	SNB-D2	120.000
C	SNB-DP	120.000
C	SNB-WL-D1S	120.000
C	SNB-WL-D2S	120.000
C	SNB-WL-D3S	120.000
D	RohnDP	120.000
D	RohnDa1	113.340
D	RohnD1	120.000
D	RohnDa2	113.340
D	RohnD2	120.000
D	RohnDaS	113.340
D	RohnDb1	106.660
D	RohnDb2	106.660
D	RohnDbS	106.660
D	RohnE1	100.000
D	RohnE2	100.000
D	RohnEP	100.000
D	SNB-DP	120.000
D	SNB-Da1	113.340
D	SNB-D1	120.000
D	SNB-Da2	113.340
D	SNB-D2	120.000
D	SNB-DaS	113.340
D	SNB-Db1	106.660
D	SNB-Db2	106.660
D	SNB-DbS	106.660
D	SNB-E1	100.000
D	SNB-E2	100.000
D	SNB-EP	100.000
D	SNB-WL-E1S	100.000
D	SNB-WL-E2S	100.000
D	SNB-WL-E3S	100.000
E	RohnEP	100.000
E	RohnEa1	93.340
E	RohnE1	100.000
E	RohnEa2	93.340
E	RohnE2	100.000
E	RohnEaS	93.340
E	RohnEb1	86.660
E	RohnEb2	86.660
E	RohnEbS	86.660
E	RohnF1	80.000
E	RohnF2	80.000
E	RohnFP	80.000
E	SNB-EP	100.000
E	SNB-Ea1	93.340
E	SNB-E1	100.000
E	SNB-Ea2	93.340
E	SNB-E2	100.000
E	SNB-EaS	93.340
E	SNB-Eb1	86.660
E	SNB-Eb2	86.660
E	SNB-EbS	86.660
E	SNB-F1	80.000
E	SNB-F2	80.000
E	SNB-FP	80.000
E	SNB-WL-F1S	80.000
E	SNB-WL-F2S	80.000
E	SNB-WL-F3S	80.000
F	RohnFP	80.000
F	RohnFa1	70.000
F	RohnF1	80.000
F	RohnFa2	70.000

F	RohnF2	80.000
F	RohnFaS	70.000
F	RohnG1	60.000
F	RohnG2	60.000
F	RohnGP	60.000
F	SNB-FP	80.000
F	SNB-Fa1	70.000
F	SNB-F1	80.000
F	SNB-Fa2	70.000
F	SNB-F2	80.000
F	SNB-FaS	70.000
F	SNB-G1	60.000
F	SNB-G2	60.000
F	SNB-GP	60.000
F	SNB-WL-G1S	60.000
F	SNB-WL-G2S	60.000
F	SNB-WL-G3S	60.000
G	RohnGP	60.000
G	RohnGa1	50.000
G	RohnG1	60.000
G	RohnGa2	50.000
G	RohnG2	60.000
G	RohnGaS	50.000
G	RohnH1	40.000
G	RohnH2	40.000
G	RohnHP	40.000
G	SNB-GP	60.000
G	SNB-Ga1	50.000
G	SNB-G1	60.000
G	SNB-Ga2	50.000
G	SNB-G2	60.000
G	SNB-GaS	50.000
G	SNB-H1	40.000
G	SNB-H2	40.000
G	SNB-HP	40.000
G	SNB-WL-H1S	40.000
G	SNB-WL-H2S	40.000
G	SNB-WL-H3S	40.000
H	RohnHP	40.000
H	RohnHa1	30.000
H	RohnH1	40.000
H	RohnHa2	30.000
H	RohnH2	40.000
H	RohnHaS	30.000
H	RohnI1	20.000
H	RohnI2	20.000
H	RohnIP	20.000
H	SNB-HP	40.000
H	SNB-Ha1	30.000
H	SNB-H1	40.000
H	SNB-Ha2	30.000
H	SNB-H2	40.000
H	SNB-HaS	30.000
H	SNB-I1	20.000
H	SNB-I2	20.000
H	SNB-IP	20.000
H	SNB-WL-I1S	20.000
H	SNB-WL-I2S	20.000
H	SNB-WL-I3S	20.000
I	RohnIP	20.000
I	RohnIa1	10.000
I	RohnI1	20.000
I	RohnIa2	10.000
I	RohnI2	20.000
I	RohnIaS	10.000
I	RohnJ1	0.000
I	RohnJ2	0.000
I	RohnJP	0.000
I	SNB-IP	20.000

I	SNB-Ia1	10.000
I	SNB-I1	20.000
I	SNB-Ia2	10.000
I	SNB-I2	20.000
I	SNB-IaS	10.000
I	SNB-J1	0.000
I	SNB-J2	0.000
I	SNB-JP	0.000

EIA Sections Information:

Section Label	Top Z (ft)	Bottom Z (ft)	Joint Count	Member Count	Top Width (ft)	Bottom Width (ft)	Gross Area (ft^2)	Face Adjust Factor	Af Face Adjust Factor	Ar Face Adjust Factor	Dead Load
A	180.000	160.000	36	111	7.50	8.87	163.75	0.9000	0.9000	1.000	
B	160.000	140.000	33	93	8.87	10.23	191.05	0.9000	0.9000	1.000	
C	140.000	120.000	27	72	10.23	11.60	218.31	0.9000	0.9000	1.000	
D	120.000	100.000	27	72	11.60	12.96	245.54	0.9000	0.9000	1.000	
E	100.000	80.000	27	72	12.96	14.32	272.78	0.9000	0.9000	1.000	
F	80.000	60.000	21	51	14.32	15.68	300.04	0.9000	0.9000	1.000	
G	60.000	40.000	21	51	15.68	17.05	327.29	0.9000	0.9000	1.000	
H	40.000	20.000	21	51	17.05	18.41	354.57	0.9000	0.9000	1.000	
I	20.000	0.000	18	39	18.41	19.78	381.92	0.9000	0.9000	1.000	

Equipment Library:

Equipment Property Label	Stock Number	Weight (lbs)	Wind Area (ft^2)	Ice Area (ft^2)	Shape or EIA Antenna Type	Drag Coef.	Diameter (ft)	Height (ft)
RFS PD1142 w/ ice	Omni	10.0	1.32	0.00	Circle	1.00	0.00	0.00
Andrew DB-583 w/ ice	Omni	6.3	0.54	0.00	Circle	1.00	0.00	0.00
12` T-Arm Mount	Mount	465.0	13.60	0.00	Square	1.00	0.00	0.00
3` Stand-Off Mount	Mount	50.0	2.72	0.00	Square	1.00	0.00	0.00
Dipole Dipole	Dipole	46.0	9.17	0.00	Circle	1.00	0.00	0.00
TMA TMA	TMA	15.0	1.29	0.00	Square	1.00	0.00	0.00
GPS GPS	GPS	10.0	1.00	0.00	Circle	1.00	0.00	0.00
Powerwave 7770 Panel	Panel	35.0	5.88	0.00	Square	1.00	0.00	0.00
Raycap Surge Suppressor	Other	27.0	1.79	0.00	Circle	1.00	0.00	0.00
4` Dipole Dipole	Dipole	40.0	3.70	0.00	Circle	1.00	0.00	0.00
DB586-Y Omni	Omni	8.2	1.01	0.00	Circle	1.00	0.00	0.00
5` Dipole Dipole	Dipole	50.0	3.95	0.00	Circle	1.00	0.00	0.00
8` Omni Omni	Omni	5.0	2.00	0.00	Circle	1.00	0.00	0.00
12` Omni Omni	Omni	55.0	4.00	0.00	Circle	1.00	0.00	0.00
Boom Gate Mount	Mount	471.0	13.60	0.00	Square	1.00	0.00	0.00
Scala OGT9-806 w/ ice	Omni	18.5	2.27	0.00	Circle	1.00	0.00	0.00
Sinclair SC479-HF1LDF w/ ice	Omni	34.0	5.06	0.00	Circle	1.00	0.00	0.00
RFS APXVSPP18-C w/ ice	Panel	90.0	8.26	0.00	Square	1.00	0.00	0.00
ALU RRH RRH	RRH	60.0	6.90	0.00	Square	1.00	0.00	0.00
6` Stand-Off Mount	Mount	140.0	10.60	0.00	Square	1.00	0.00	0.00
Decibel DB844H80-XY w/ ice	Panel	10.0	3.97	0.00	Square	1.00	0.00	0.00
Raycap DB-T1-6Z-8AB-0Z Dist. Box	Panel	45.0	5.60	0.00	Square	1.00	0.00	0.00
Ericsson AIR B2A/B4P	Panel	110.0	6.53	0.00	Square	1.00	0.00	0.00
Decibel PD-420 2 bay - Dipole	Dipole	10.0	1.64	0.00	Square	1.00	0.00	0.00
RRHU-11 RRH Unit	RRH	50.0	2.99	0.00	Square	1.00	0.00	0.00
10` Dipole Dipole	Dipole	46.0	9.17	0.00	Square	1.00	0.00	0.00
4`x1` Panel Panel	Panel	30.0	6.53	0.00	Square	1.00	0.00	0.00
DT465B-2XR-V2 Panel	Panel	88.4	9.65	0.00	Square	1.00	0.00	0.00
800 MHz RRH Unit	RRH	60.0	6.90	0.00	Square	1.00	0.00	0.00
TD-RRH 8x20-25 RRH Unit	RRH	66.1	4.72	0.00	Square	1.00	0.00	0.00
JAHH-65B-R3B Panel	Panel	126.3	9.66	0.00	Square	1.00	0.00	0.00
BSAMNT-SBS-2-2 Mount for JAHH Antenna	Mount	116.0	3.78	0.00	Square	1.00	0.00	0.00
Ericsson 4478 (B71) RRH Unit	RRH	60.0	1.26	0.00	Square	1.00	0.00	0.00
AIR32 B66/B2A Panel	Panel	132.2	5.84	0.00	Square	1.00	0.00	0.00
APXVAA24_43-U-A20 (RFS)	Panel	150.0	22.38	0.00	Square	1.00	0.00	0.00
Twin TMA Unit - Generic	Other	25.0	1.12	0.00	Square	1.00	0.00	0.00
Diplexer Unit - Generic	Other	25.0	0.72	0.00	Square	1.00	0.00	0.00
TMA Unit (LGP24101)	Other	14.1	1.29	0.00	Square	1.00	0.00	0.00

OPA-65-LCUU-H6 Panel	Panel	64.0	10.12	0.00		Square	1.00	0.00	0.00
RRUS-32 RRH Unit	Other	80.0	3.88	0.00		Square	1.00	0.00	0.00
4` Dish	Dish	120.0	13.10	0.00	EIA Microwave	MaxCA	1.00	0.00	0.00
8` Dish with Radome	Dish	560.0	51.32	0.00	EIA Microwave	Radome MaxCA	1.00	0.00	0.00
RRH B2/B66A (RFV01U-D1A)	Panel	116.0	3.13	0.00		Square	1.00	0.00	0.00
RRH B5B/BB13 (RFV01U-D2A)	Panel	98.5	3.13	0.00		Square	1.00	0.00	0.00
CBC78T-DS-43-2X	Other	15.7	0.83	0.00		Square	1.00	0.00	0.00

Equipment Connectivity:

Equipment Label	Attach Label	Equipment Property Set	EIA Orientation Angle (deg)
DNK-1	RohnGP	5` Dipole	0.00
MT-DNK1	RohnGP	3` Stand-Off	0.00
DNK2-GPS68	RohnG1	GPS	120.00
MT-DNK2	RohnG1	3` Stand-Off	120.00
DNK3-GPS69	RohnG2	GPS	240.00
MT-DNK3	RohnG2	3` Stand-Off	240.00
DNK4-DOT56	RohnG2	10` Dipole	240.00
MT-DNK4	RohnG2	3` Stand-Off	240.00
DNK5-NEU16	RohnF2	8` Omni	240.00
MT-DNK5	RohnF2	6` Stand-Off	240.00
DNK9-DEP54	RohnD1	RFS PD1142 w/ ice	120.00
MT-DNK9	RohnD1	3` Stand-Off	120.00
DNK8-CSP66	RohnD1	RFS PD1142 w/ ice	120.00
DNK7-NEU17	RohnDaS	12` Omni	0.00
MT-DNK7	RohnDaS	3` Stand-Off	0.00
Sprint-A	RohnDaS	12` T-Arm	0.00
Sprint-B	RohnDa1	12` T-Arm	120.00
Sprint-C	RohnDa2	12` T-Arm	240.00
Sprint-1	RohnDaS	RFS APXVSPP18-C w/ ice	0.00
Sprint-2	RohnDaS	ALU RRH	0.00
Sprint-3	RohnDaS	ALU RRH	0.00
Sprint-4	RohnDa1	RFS APXVSPP18-C w/ ice	120.00
Sprint-5	RohnDa1	ALU RRH	120.00
Sprint-6	RohnDa1	ALU RRH	120.00
Sprint-7	RohnDa2	RFS APXVSPP18-C w/ ice	240.00
Sprint-8	RohnDa2	ALU RRH	240.00
Sprint-9	RohnDa2	ALU RRH	240.00
Sprint-10	RohnDaS	DT465B-2XR-V2	0.00
Sprint-11	RohnDa1	DT465B-2XR-V2	120.00
Sprint-12	RohnDa2	DT465B-2XR-V2	240.00
Sprint-13	RohnDaS	800 MHz RRH Unit	0.00
Sprint-14	RohnDa1	800 MHz RRH Unit	120.00
Sprint-15	RohnDa2	800 MHz RRH Unit	240.00
Sprint-16	RohnDaS	TD-RRH 8x20-25 RRH Unit	0.00
Sprint-17	RohnDa1	TD-RRH 8x20-25 RRH Unit	120.00
Sprint-18	RohnDa2	TD-RRH 8x20-25 RRH Unit	240.00
Verizon-A	RohnCbS	Boom Gate	0.00
Verizon-B	RohnCb1	Boom Gate	120.00
Verizon-C	RohnCb2	Boom Gate	240.00
Verizon-1	RohnCbS	Decibel DB844H80-XY w/ ice	0.00
Verizon-2	RohnCbS	Decibel DB844H80-XY w/ ice	0.00
Verizon-3	RohnCb1	Decibel DB844H80-XY w/ ice	120.00
Verizon-4	RohnCb1	Decibel DB844H80-XY w/ ice	120.00
Verizon-5	RohnCb2	Decibel DB844H80-XY w/ ice	240.00
Verizon-6	RohnCb2	Decibel DB844H80-XY w/ ice	240.00
Verizon-7	RohnCbS	JAHH-65B-R3B Panel	0.00
Verizon-8	RohnCbS	JAHH-65B-R3B Panel	0.00
Verizon-9	RohnCb1	JAHH-65B-R3B Panel	120.00
Verizon-10	RohnCb1	JAHH-65B-R3B Panel	120.00
Verizon-11	RohnCb2	JAHH-65B-R3B Panel	240.00
Verizon-12	RohnCb2	JAHH-65B-R3B Panel	240.00
Verizon-D	RohnCbS	BSAMNT-SBS-2-2 Mount for JAHH Antenna	0.00
Verizon-E	RohnCb1	BSAMNT-SBS-2-2 Mount for JAHH Antenna	120.00
Verizon-F	RohnCb2	BSAMNT-SBS-2-2 Mount for JAHH Antenna	240.00

Verizon-22	RohnCbS	Raycap DB-T1-6Z-8AB-0Z Dist. Box	0.00
NEU-18	RohnCbS	12` Omni	0.00
DNK15-CSP21	RohnCa1	RFS PD1142 w/ ice	120.00
MT-DNK15	RohnCa1	3` Stand-Off	120.00
DNK-12	RohnCa2	5` Dipole	240.00
MT-DNK12	RohnCa2	3` Stand-Off	240.00
T-Mobile-1	RohnCaS	Ericsson AIR B2A/B4P	0.00
T-Mobile-2	RohnCaS	AIR32 B66/B2A	0.00
T-Mobile-3	RohnCaS	APXVAA24_43-U-A20 (RFS)	0.00
T-Mobile-4	RohnCa1	Ericsson AIR B2A/B4P	120.00
T-Mobile-5	RohnCa1	AIR32 B66/B2A	120.00
T-Mobile-6	RohnCa1	APXVAA24_43-U-A20 (RFS)	120.00
T-Mobile-7	RohnCa2	Ericsson AIR B2A/B4P	240.00
T-Mobile-8	RohnCa2	AIR32 B66/B2A	240.00
T-Mobile-9	RohnCa2	APXVAA24_43-U-A20 (RFS)	240.00
T-Mobile-10	RohnCaS	Twin TMA Unit - Generic	0.00
T-Mobile-11	RohnCa1	Twin TMA Unit - Generic	120.00
T-Mobile-12	RohnCa2	Twin TMA Unit - Generic	240.00
T-Mobile-13	RohnCaS	RRHU-11 RRH Unit	0.00
T-Mobile-14	RohnCa1	RRHU-11 RRH Unit	120.00
T-Mobile-15	RohnCa2	RRHU-11 RRH Unit	240.00
T-Mobile-16	RohnCaS	Ericsson 4478 (B71) RRH Unit	0.00
T-Mobile-17	RohnCa1	Ericsson 4478 (B71) RRH Unit	120.00
T-Mobile-18	RohnCa2	Ericsson 4478 (B71) RRH Unit	240.00
T-Mobile-19	RohnCaS	Diplexer Unit - Generic	0.00
T-Mobile-20	RohnCa1	Diplexer Unit - Generic	120.00
T-Mobile-21	RohnCa2	Diplexer Unit - Generic	240.00
ATT-A	RohnBbS	12` T-Arm	0.00
ATT-B	RohnBb1	12` T-Arm	120.00
ATT-C	RohnBb2	12` T-Arm	240.00
ATT-A1	RohnBbS	Powerwave 7770	0.00
ATT-A2	RohnBbS	Powerwave 7770	0.00
ATT-A3	RohnBbS	RRHU-11 RRH Unit	0.00
ATT-A4	RohnBbS	TMA Unit (LGP24101)	0.00
ATT-A5	RohnBbS	TMA Unit (LGP24101)	0.00
ATT-A6	RohnBbS	Raycap Surge Suppressor	0.00
ATT-A7	RohnBbS	OPA-65-LCUU-H6 Panel	0.00
ATT-A8	RohnBbS	RRUS-32 RRH Unit	0.00
ATT-B1	RohnBb1	RRHU-11 RRH Unit	120.00
ATT-B2	RohnBb1	TMA Unit (LGP24101)	120.00
ATT-B3	RohnBb1	TMA Unit (LGP24101)	120.00
ATT-B4	RohnBb1	OPA-65-LCUU-H6 Panel	120.00
ATT-B5	RohnBb1	RRUS-32 RRH Unit	120.00
ATT-C1	RohnBb2	RRHU-11 RRH Unit	240.00
ATT-C2	RohnBb2	TMA Unit (LGP24101)	240.00
ATT-C3	RohnBb2	TMA Unit (LGP24101)	240.00
ATT-C4	RohnBb2	OPA-65-LCUU-H6 Panel	240.00
ATT-C5	RohnBb2	RRUS-32 RRH Unit	240.00
CSP-70	RohnBP	Sinclair SC479-HF1LDF w/ ice	0.00
CSP-71	RohnB1	Sinclair SC479-HF1LDF w/ ice	120.00
CSP-72	RohnB2	Sinclair SC479-HF1LDF w/ ice	240.00
CSP-73	RohnB2	TMA	240.00
DNK21-SPD9	RohnBP	8` Dish with Radome	0.00
DNK20-UNKNOWN	RohnBP	4`x1` Panel	240.00
DNK19-STAM63	RohnB1	4`x1` Panel	120.00
159-A	RohnBP	3` Stand-Off	0.00
159-B	RohnB1	3` Stand-Off	120.00
160	RohnBP	3` Stand-Off	240.00
DNK22-TOG-6	RohnAcS	DB586-Y	0.00
DNK23-STAM64	RohnAcS	4`x1` Panel	0.00
DNK23-STAM65	RohnAcS	TMA	0.00
GRN-1 (DNK25)	RohnAb1	4` Dish	120.00
DNK26aCSP-67	RohnAaS	Dipole	0.00
DNK26bNEU-20	RohnAa1	4` Dipole	0.00
DNK27A-CSP4	RohnAa2	Sinclair SC479-HF1LDF w/ ice	240.00
DNK27B-CSP2	RohnAa2	Scala OGT9-806 w/ ice	120.00
DNK27C-CSP74	RohnAa1	TMA	120.00
DNK28A-CSP1	RohnAa1	Scala OGT9-806 w/ ice	120.00
DNK28B-CSP3	RohnAa2	Sinclair SC479-HF1LDF w/ ice	240.00

DNK28C-TOG5	RohnAaS	Andrew DB-583 w/ ice	0.00
DNK28D-NEU55	RohnAa2	Decibel PD-420 2 bay - Dipole	240.00
Top-A	RohnAP	6` Stand-Off	0.00
Top-B	RohnA1	6` Stand-Off	120.00
Top-C1	RohnA2	6` Stand-Off	260.00
Top-C2	RohnA2	6` Stand-Off	220.00
ATT-B7	RohnBb1	Powerwave 7770	120.00
ATT-B8	RohnBb1	Powerwave 7770	120.00
ATT-C7	RohnBb2	Powerwave 7770	240.00
ATT-C8	RohnBb2	Powerwave 7770	240.00
Verizon-25	RohnCbS	RRH B2/B66A (RFV01U-D1A)	0.00
Verizon-26	RohnCb1	RRH B2/B66A (RFV01U-D1A)	120.00
Verizon-27	RohnCb2	RRH B2/B66A (RFV01U-D1A)	240.00
Verizon-28	RohnCbS	RRH B5B/BB13 (RFV01U-D2A)	0.00
Verizon-29	RohnCb1	RRH B5B/BB13 (RFV01U-D2A)	120.00
Verizon-30	RohnCb2	RRH B5B/BB13 (RFV01U-D2A)	240.00
Verizon-31	RohnCbS	CBC78T-DS-43-2X	0.00
Verizon-32	RohnCb1	CBC78T-DS-43-2X	120.00
Verizon-33	RohnCb2	CBC78T-DS-43-2X	240.00

Linear Appurtenances:

Description	From (ft)	To (ft)	Quantity	Shape	Width or Perimeter		Unit Weight (lbs/ft)	In Face Zone	Include Wind Load
					Diameter (in)	(in)			
Full Cable Tray 2-150 (wind only)	2	150	2	Flat	24	0	0	Yes	Yes
Full Cable Tray 150-top (wind only)	150	180	1	Flat	24	0	0	Yes	Yes
DNK1-7/8" @ 56`	2	180	1	Round	0	0	1.30128	Yes	No
DNK2-7/8" @ 54`	2	180	1	Round	0	0	1.30128	Yes	No
DNK3-7/8" @ 60`	2	180	1	Round	0	0	1.30128	Yes	No
DNK4-7/8" @ 65`	2	180	1	Round	0	0	1.30128	Yes	No
DNK5-1-5/8" @ 82`	2	180	1	Round	0	0	2.33495	Yes	No
DNK6-Hybriflex Cables @ Sprint	2	180	4	Round	0	0	0.9	Yes	No
DNK7-7/8" @ 110`	2	180	1	Round	0	0	1.30128	Yes	No
DNK8-7/8" @ 122`	2	180	1	Round	0	0	1.30128	Yes	No
DNK9-7/8" @ 122`	2	180	1	Round	0	0	1.30128	Yes	No
DNK10-1-5/8" @ VZW	2	180	6	Round	0	0	2.33495	Yes	No
DNK11-1-5/8" @ 130`	2	180	1	Round	0	0	2.33495	Yes	No
DNK12-7/8" @ 135`	2	180	1	Round	0	0	1.30128	Yes	No
DNK13,14-1-5/8" @ T-Mobile	2	180	6	Round	0	0	2.33495	Yes	No
DNK15-7/8" @ 137`	2	180	1	Round	0	0	1.30128	Yes	No
DNK16,17,18-1-5/8" @ ATT	2	180	12	Round	0	0	2.33495	Yes	No
DNK16,17,18-Optic Fiber Cable @ ATT	2	180	1	Round	0	0	1.3	Yes	No
DNK16,17,18-DC Cable @ ATT	2	180	2	Round	0	0	0.3	Yes	No
DNK19-7/8" @ 159`	2	180	1	Round	0	0	1.30128	Yes	No
DNK20-7/8" @ 159.5`	2	180	1	Round	0	0	1.30128	Yes	No
CSP70,71,72-1-5/8" @ 160` (3)	2	180	3	Round	0	0	2.33495	Yes	No
CSP73-1/2" @ 160`	2	180	1	Round	0	0	0.840278	Yes	No
DNK21-Ellipitical @ 160`	2	180	1	Round	0	0	1.24804	Yes	No
DNK22-7/8" @ 165`	2	180	1	Round	0	0	1.30128	Yes	No
DNK23A-1-5/8" @ 168`	2	180	1	Round	0	0	2.33495	Yes	No
DNK23B-1/2" @ 168`	2	180	1	Round	0	0	0.840278	Yes	No
DNK26-B-1-5/8" @ 175`	2	180	1	Round	0	0	2.33495	Yes	No
DNK26A-7/8" @ 175`	2	180	1	Round	0	0	1.30128	Yes	No
DNK26C-1/2" @ 175`	2	180	1	Round	0	0	0.840278	Yes	No
DNK27-B-1-5/8" @ 175`	2	180	1	Round	0	0	2.33495	Yes	No
DNK27A-7/8" @ 175`	2	180	1	Round	0	0	1.30128	Yes	No
DNK27C-3/8" @ 175`	2	180	1	Round	0	0	0.654213	Yes	No
DNK28A-1-5/8" @ 175`	2	180	1	Round	0	0	2.33495	Yes	No
DNK28B-1-5/8" @ 175`	2	180	1	Round	0	0	2.33495	Yes	No
DNK28C-1-5/8" @ 175`	2	180	1	Round	0	0	2.33495	Yes	No
DNK28D-7/8" @ 175`	2	180	1	Round	0	0	1.30128	Yes	No
GRN-1-Ellipitical @ 172` (DNK25)	2	180	1	Round	0	0	1.24804	Yes	No
VZW-(1) Hybriflex Cables	2	180	1	Round	0	0	1.3	Yes	No
Hybriflex 6x12 Cables @ T-Mobile	2	180	2	Round	0	0	1.7	Yes	No
Hybriflex 9x18 Cables @ T-Mobile	2	180	1	Round	0	0	0.9	Yes	No

*** Loads Data

Loads from file: p:\projects\telcom\structuralsbylocation\connecticut\greenwichcsp#74\14-vzw adds to # 13_pls_g\pls-tower_wind_0\4-carir.eia

Structure Height Summary (used for calculating wind/ice adjust with height):

Structure height above ground 180.00 (ft)
 Elevation of structure bottom for wind height adjustment: 0.00 (ft)
 Structure height for structure gust response factor: 180.00 (ft)
 Structure gust response factor, Gh: 0.8500
 Mean wind conversion factor, m: 0.6000
 Wind direction probability factor, Kd, for structures: 0.85, for appurtenances: 0.85
 Structure fundamental frequency, f1: 2.0199 (Hz)
 Guy installation temperature: 60.00 (deg F)
 Tower Type: Triangular Latticed

ANSI/TIA 222-G Load Options:

Structure Class 3
 Exposure Category C Open terrain
 Topographic Category 3 (Kzt calculated based on crest height, H, of 36.00 (ft))
 Spectral Response SDS 0.276
 Spectral Response SD1 0.112

EIA Rev. G Load Cases:

Load Case Description	Dead Load Factor	Wind Load Factor	Strength Factor	Load Case Type	Basic Wind Speed (mph)	Wind Dir. (Deg)	Mean Wind Start Elevation (ft)	Mean Wind Stop Elevation (ft)	Ice Thick. (in)	Ice Density (lbs/ft^3)	Temperature (deg F)	Point Loads	Joint Displ.
1: 1.2D + 1.0Dg + 1.6Wo	1.2000	1.6000	1.0000	Regular	94.000	0	0.00	0.00	0.0000	0.0000	60.0		
2: 0.9D + 1.0Dg + 1.6Wo	0.9000	1.6000	1.0000	Regular	94.000	0	0.00	0.00	0.0000	0.0000	60.0		
4: 1.2D + 1.0Dg + 1.0E	1.2000	1.0000	1.0000	Earthquake	0.000	0	0.00	0.00	0.0000	0.0000	60.0		
5: 0.9D + 1.0Dg + 1.0E	0.9000	1.0000	1.0000	Earthquake	0.000	0	0.00	0.00	0.0000	0.0000	60.0		
6: Service 1.0D + 1.0Dg + 1.0 Wo	1.0000	1.0000	1.0000	Service	60.000	0	0.00	0.00	0.0000	0.0000	60.0		
1.2*DL	1.2000	1.0000	1.0000	Regular	0.000	0	0.00	0.00	0.0000	0.0000	60.0		
0.9DL	0.9000	1.0000	1.0000	Regular	0.000	0	0.00	0.00	0.0000	0.0000	60.0		

Equipment Load Case Information for "1: 1.2D + 1.0Dg + 1.6Wo":

Equipment Label	Equipment Property Set	Elevation Above Ground (ft)	qzGh (psf)	Ice Thick. (in)	Total Wind Area (ft^2)	Wind Incidence Angle (deg)	222-G CA	222-G CS	222-G CM	Antenna Axial Load (lbs)	Antenna Side Load (lbs)	Antenna Moment (ft-lbs)	Long. Load (lbs)	Trans. Load (lbs)	Vert. Load (lbs)
DNK-1	5` Dipole	60.00	35.46	0.00	3.95	0.00							140.22	0.00	60.00
MT-DNK1	3` Stand-Off	60.00	35.46	0.00	2.72	0.00							96.46	0.00	60.00
DNK2-GPS68	GPS	60.00	35.46	0.00	1.00	120.00							35.46	0.00	12.00
MT-DNK2	3` Stand-Off	60.00	35.46	0.00	2.72	120.00							96.46	0.00	60.00
DNK3-GPS69	GPS	60.00	35.46	0.00	1.00	240.00							35.46	0.00	12.00
MT-DNK3	3` Stand-Off	60.00	35.46	0.00	2.72	240.00							96.46	0.00	60.00
DNK4-DOT56	10` Dipole	60.00	35.46	0.00	9.17	240.00							325.08	0.00	55.20
MT-DNK4	3` Stand-Off	60.00	35.46	0.00	2.72	240.00							96.46	0.00	60.00
DNK5-NEU16	8` Omni	80.00	36.75	0.00	2.00	240.00							73.49	0.00	6.00
MT-DNK5	6` Stand-Off	80.00	36.75	0.00	10.60	240.00							389.50	0.00	168.00
DNK9-DEP54	RFS PD1142 w/ ice	120.00	39.58	0.00	1.32	120.00							52.09	0.00	12.00
MT-DNK9	3` Stand-Off	120.00	39.58	0.00	2.72	120.00							107.66	0.00	60.00
DNK8-CSP66	RFS PD1142 w/ ice	120.00	39.58	0.00	1.32	120.00							52.09	0.00	12.00
DNK7-NEU17	12` Omni	113.34	39.13	0.00	4.00	0.00							156.52	0.00	66.00
MT-DNK7	3` Stand-Off	113.34	39.13	0.00	2.72	0.00							106.43	0.00	60.00
Sprint-A	12` T-Arm	113.34	39.13	0.00	13.60	0.00							532.17	0.00	558.00
Sprint-B	12` T-Arm	113.34	39.13	0.00	13.60	120.00							532.17	0.00	558.00
Sprint-C	12` T-Arm	113.34	39.13	0.00	13.60	240.00							532.17	0.00	558.00
Sprint-1	RFS APXVSP18-C w/ ice	113.34	39.13	0.00	8.26	0.00							323.21	0.00	108.00
Sprint-2	ALU RRH	113.34	39.13	0.00	6.90	0.00							269.87	0.00	72.00
Sprint-3	ALU RRH	113.34	39.13	0.00	6.90	0.00							269.87	0.00	72.00

Sprint-4	RFS APXVSPP18-C w/ ice	113.34	39.13	0.00	8.26	120.00	323.21	0.00	108.00
Sprint-5	ALU RRH	113.34	39.13	0.00	6.90	120.00	269.87	0.00	72.00
Sprint-6	ALU RRH	113.34	39.13	0.00	6.90	120.00	269.87	0.00	72.00
Sprint-7	RFS APXVSPP18-C w/ ice	113.34	39.13	0.00	8.26	240.00	323.21	0.00	108.00
Sprint-8	ALU RRH	113.34	39.13	0.00	6.90	240.00	269.87	0.00	72.00
Sprint-9	ALU RRH	113.34	39.13	0.00	6.90	240.00	269.87	0.00	72.00
Sprint-10	DT465B-2XR-V2	113.34	39.13	0.00	9.65	0.00	377.47	0.00	106.08
Sprint-11	DT465B-2XR-V2	113.34	39.13	0.00	9.65	120.00	377.47	0.00	106.08
Sprint-12	DT465B-2XR-V2	113.34	39.13	0.00	9.65	240.00	377.47	0.00	106.08
Sprint-13	800 MHz RRH Unit	113.34	39.13	0.00	6.90	0.00	269.87	0.00	72.00
Sprint-14	800 MHz RRH Unit	113.34	39.13	0.00	6.90	120.00	269.87	0.00	72.00
Sprint-15	800 MHz RRH Unit	113.34	39.13	0.00	6.90	240.00	269.87	0.00	72.00
Sprint-16	TD-RRH 8x20-25 RRH Unit	113.34	39.13	0.00	4.72	0.00	184.68	0.00	79.36
Sprint-17	TD-RRH 8x20-25 RRH Unit	113.34	39.13	0.00	4.72	120.00	184.68	0.00	79.36
Sprint-18	TD-RRH 8x20-25 RRH Unit	113.34	39.13	0.00	4.72	240.00	184.68	0.00	79.36
Verizon-A	Boom Gate	126.66	40.02	0.00	13.60	0.00	544.21	0.00	565.20
Verizon-B	Boom Gate	126.66	40.02	0.00	13.60	120.00	544.21	0.00	565.20
Verizon-C	Boom Gate	126.66	40.02	0.00	13.60	240.00	544.21	0.00	565.20
Verizon-1	Decibel DB844H80-XY w/ ice	126.66	40.02	0.00	3.97	0.00	158.73	0.00	12.00
Verizon-2	Decibel DB844H80-XY w/ ice	126.66	40.02	0.00	3.97	0.00	158.73	0.00	12.00
Verizon-3	Decibel DB844H80-XY w/ ice	126.66	40.02	0.00	3.97	120.00	158.73	0.00	12.00
Verizon-4	Decibel DB844H80-XY w/ ice	126.66	40.02	0.00	3.97	120.00	158.73	0.00	12.00
Verizon-5	Decibel DB844H80-XY w/ ice	126.66	40.02	0.00	3.97	240.00	158.73	0.00	12.00
Verizon-6	Decibel DB844H80-XY w/ ice	126.66	40.02	0.00	3.97	240.00	158.73	0.00	12.00
Verizon-7	JAHH-65B-R3B Panel	126.66	40.02	0.00	9.66	0.00	386.55	0.00	151.56
Verizon-8	JAHH-65B-R3B Panel	126.66	40.02	0.00	9.66	0.00	386.55	0.00	151.56
Verizon-9	JAHH-65B-R3B Panel	126.66	40.02	0.00	9.66	120.00	386.55	0.00	151.56
Verizon-10	JAHH-65B-R3B Panel	126.66	40.02	0.00	9.66	120.00	386.55	0.00	151.56
Verizon-11	JAHH-65B-R3B Panel	126.66	40.02	0.00	9.66	240.00	386.55	0.00	151.56
Verizon-12	JAHH-65B-R3B Panel	126.66	40.02	0.00	9.66	240.00	386.55	0.00	151.56
Verizon-D	BSAMNT-SBS-2-2 Mount for JAHH Antenna	126.66	40.02	0.00	3.78	0.00	151.42	0.00	139.20
Verizon-E	BSAMNT-SBS-2-2 Mount for JAHH Antenna	126.66	40.02	0.00	3.78	120.00	151.42	0.00	139.20
Verizon-F	BSAMNT-SBS-2-2 Mount for JAHH Antenna	126.66	40.02	0.00	3.78	240.00	151.42	0.00	139.20
Verizon-22	Raycap DB-T1-6Z-8AB-0Z Dist. Box	126.66	40.02	0.00	5.60	0.00	224.08	0.00	54.00
NEU-18	12` Omni	126.66	40.02	0.00	4.00	0.00	160.06	0.00	66.00
DNK15-CSP21	RFS PD1142 w/ ice	133.34	40.44	0.00	1.32	120.00	53.22	0.00	12.00
MT-DNK15	3` Stand-Off	133.34	40.44	0.00	2.72	120.00	109.99	0.00	60.00
DNK-12	5` Dipole	133.34	40.44	0.00	3.95	240.00	159.89	0.00	60.00
MT-DNK12	3` Stand-Off	133.34	40.44	0.00	2.72	240.00	109.99	0.00	60.00
T-Mobile-1	Ericsson AIR B2A/B4P	133.34	40.44	0.00	6.53	0.00	264.20	0.00	132.02
T-Mobile-2	AIR32 B66/B2A	133.34	40.44	0.00	5.84	0.00	236.34	0.00	158.64
T-Mobile-3	APXVAA24_43-U-A20 (RFS)	133.34	40.44	0.00	22.38	0.00	904.89	0.00	180.00
T-Mobile-4	Ericsson AIR B2A/B4P	133.34	40.44	0.00	6.53	120.00	264.20	0.00	132.02
T-Mobile-5	AIR32 B66/B2A	133.34	40.44	0.00	5.84	120.00	236.34	0.00	158.64
T-Mobile-6	APXVAA24_43-U-A20 (RFS)	133.34	40.44	0.00	22.38	120.00	904.89	0.00	180.00
T-Mobile-7	Ericsson AIR B2A/B4P	133.34	40.44	0.00	6.53	240.00	264.20	0.00	132.02
T-Mobile-8	AIR32 B66/B2A	133.34	40.44	0.00	5.84	240.00	236.34	0.00	158.64
T-Mobile-9	APXVAA24_43-U-A20 (RFS)	133.34	40.44	0.00	22.38	240.00	904.89	0.00	180.00
T-Mobile-10	Twin TMA Unit - Generic	133.34	40.44	0.00	1.12	0.00	45.46	0.00	30.00
T-Mobile-11	Twin TMA Unit - Generic	133.34	40.44	0.00	1.12	120.00	45.46	0.00	30.00
T-Mobile-12	Twin TMA Unit - Generic	133.34	40.44	0.00	1.12	240.00	45.46	0.00	30.00
T-Mobile-13	RRHU-11 RRH Unit	133.34	40.44	0.00	2.99	0.00	121.07	0.00	60.00
T-Mobile-14	RRHU-11 RRH Unit	133.34	40.44	0.00	2.99	120.00	121.07	0.00	60.00
T-Mobile-15	RRHU-11 RRH Unit	133.34	40.44	0.00	2.99	240.00	121.07	0.00	60.00
T-Mobile-16	Ericsson 4478 (B71) RRH Unit	133.34	40.44	0.00	1.26	0.00	51.09	0.00	72.00
T-Mobile-17	Ericsson 4478 (B71) RRH Unit	133.34	40.44	0.00	1.26	120.00	51.09	0.00	72.00
T-Mobile-18	Ericsson 4478 (B71) RRH Unit	133.34	40.44	0.00	1.26	240.00	51.09	0.00	72.00
T-Mobile-19	Diplexer Unit - Generic	133.34	40.44	0.00	0.72	0.00	29.31	0.00	30.00
T-Mobile-20	Diplexer Unit - Generic	133.34	40.44	0.00	0.72	120.00	29.31	0.00	30.00
T-Mobile-21	Diplexer Unit - Generic	133.34	40.44	0.00	0.72	240.00	29.31	0.00	30.00
ATT-A	12` T-Arm	150.00	41.44	0.00	13.60	0.00	563.55	0.00	558.00
ATT-B	12` T-Arm	150.00	41.44	0.00	13.60	120.00	563.55	0.00	558.00
ATT-C	12` T-Arm	150.00	41.44	0.00	13.60	240.00	563.55	0.00	558.00
ATT-A1	Powerwave 7770	150.00	41.44	0.00	5.88	0.00	243.65	0.00	42.00
ATT-A2	Powerwave 7770	150.00	41.44	0.00	5.88	0.00	243.65	0.00	42.00
ATT-A3	RRHU-11 RRH Unit	150.00	41.44	0.00	2.99	0.00	124.06	0.00	60.00
ATT-A4	TMA Unit (LGP24101)	150.00	41.44	0.00	1.29	0.00	53.37	0.00	16.92
ATT-A5	TMA Unit (LGP24101)	150.00	41.44	0.00	1.29	0.00	53.37	0.00	16.92
ATT-A6	Raycap Surge Suppressor	150.00	41.44	0.00	1.79	0.00	74.04	0.00	32.40

Sprint-9	ALU RRH	113.34	0.00	0.00	6.90	240.00	0.00	0.00	72.00
Sprint-10	DT465B-2XR-V2	113.34	0.00	0.00	9.65	0.00	0.00	0.00	106.08
Sprint-11	DT465B-2XR-V2	113.34	0.00	0.00	9.65	120.00	0.00	0.00	106.08
Sprint-12	DT465B-2XR-V2	113.34	0.00	0.00	9.65	240.00	0.00	0.00	106.08
Sprint-13	800 MHz RRH Unit	113.34	0.00	0.00	6.90	0.00	0.00	0.00	72.00
Sprint-14	800 MHz RRH Unit	113.34	0.00	0.00	6.90	120.00	0.00	0.00	72.00
Sprint-15	800 MHz RRH Unit	113.34	0.00	0.00	6.90	240.00	0.00	0.00	72.00
Sprint-16	TD-RRH 8x20-25 RRH Unit	113.34	0.00	0.00	4.72	0.00	0.00	0.00	79.36
Sprint-17	TD-RRH 8x20-25 RRH Unit	113.34	0.00	0.00	4.72	120.00	0.00	0.00	79.36
Sprint-18	TD-RRH 8x20-25 RRH Unit	113.34	0.00	0.00	4.72	240.00	0.00	0.00	79.36
Verizon-A	Boom Gate	126.66	0.00	0.00	13.60	0.00	0.00	0.00	565.20
Verizon-B	Boom Gate	126.66	0.00	0.00	13.60	120.00	0.00	0.00	565.20
Verizon-C	Boom Gate	126.66	0.00	0.00	13.60	240.00	0.00	0.00	565.20
Verizon-1	Decibel DB844H80-XY w/ ice	126.66	0.00	0.00	3.97	0.00	0.00	0.00	12.00
Verizon-2	Decibel DB844H80-XY w/ ice	126.66	0.00	0.00	3.97	0.00	0.00	0.00	12.00
Verizon-3	Decibel DB844H80-XY w/ ice	126.66	0.00	0.00	3.97	120.00	0.00	0.00	12.00
Verizon-4	Decibel DB844H80-XY w/ ice	126.66	0.00	0.00	3.97	120.00	0.00	0.00	12.00
Verizon-5	Decibel DB844H80-XY w/ ice	126.66	0.00	0.00	3.97	240.00	0.00	0.00	12.00
Verizon-6	Decibel DB844H80-XY w/ ice	126.66	0.00	0.00	3.97	240.00	0.00	0.00	12.00
Verizon-7	JAHH-65B-R3B Panel	126.66	0.00	0.00	9.66	0.00	0.00	0.00	151.56
Verizon-8	JAHH-65B-R3B Panel	126.66	0.00	0.00	9.66	0.00	0.00	0.00	151.56
Verizon-9	JAHH-65B-R3B Panel	126.66	0.00	0.00	9.66	120.00	0.00	0.00	151.56
Verizon-10	JAHH-65B-R3B Panel	126.66	0.00	0.00	9.66	120.00	0.00	0.00	151.56
Verizon-11	JAHH-65B-R3B Panel	126.66	0.00	0.00	9.66	240.00	0.00	0.00	151.56
Verizon-12	JAHH-65B-R3B Panel	126.66	0.00	0.00	9.66	240.00	0.00	0.00	151.56
Verizon-D	BSAMNT-SBS-2-2 Mount for JAHH Antenna	126.66	0.00	0.00	3.78	0.00	0.00	0.00	139.20
Verizon-E	BSAMNT-SBS-2-2 Mount for JAHH Antenna	126.66	0.00	0.00	3.78	120.00	0.00	0.00	139.20
Verizon-F	BSAMNT-SBS-2-2 Mount for JAHH Antenna	126.66	0.00	0.00	3.78	240.00	0.00	0.00	139.20
Verizon-22	Raycap DB-T1-6Z-8AB-0Z Dist. Box	126.66	0.00	0.00	5.60	0.00	0.00	0.00	54.00
NEU-18	12` Omni	126.66	0.00	0.00	4.00	0.00	0.00	0.00	66.00
DNK15-CSP21	RFS PD1142 w/ ice	133.34	0.00	0.00	1.32	120.00	0.00	0.00	12.00
MT-DNK15	3` Stand-Off	133.34	0.00	0.00	2.72	120.00	0.00	0.00	60.00
DNK-12	5` Dipole	133.34	0.00	0.00	3.95	240.00	0.00	0.00	60.00
MT-DNK12	3` Stand-Off	133.34	0.00	0.00	2.72	240.00	0.00	0.00	60.00
T-Mobile-1	Ericsson AIR B2A/B4P	133.34	0.00	0.00	6.53	0.00	0.00	0.00	132.02
T-Mobile-2	AIR32 B66/B2A	133.34	0.00	0.00	5.84	0.00	0.00	0.00	158.64
T-Mobile-3	APXVAA24_43-U-A20 (RFS)	133.34	0.00	0.00	22.38	0.00	0.00	0.00	180.00
T-Mobile-4	Ericsson AIR B2A/B4P	133.34	0.00	0.00	6.53	120.00	0.00	0.00	132.02
T-Mobile-5	AIR32 B66/B2A	133.34	0.00	0.00	5.84	120.00	0.00	0.00	158.64
T-Mobile-6	APXVAA24_43-U-A20 (RFS)	133.34	0.00	0.00	22.38	120.00	0.00	0.00	180.00
T-Mobile-7	Ericsson AIR B2A/B4P	133.34	0.00	0.00	6.53	240.00	0.00	0.00	132.02
T-Mobile-8	AIR32 B66/B2A	133.34	0.00	0.00	5.84	240.00	0.00	0.00	158.64
T-Mobile-9	APXVAA24_43-U-A20 (RFS)	133.34	0.00	0.00	22.38	240.00	0.00	0.00	180.00
T-Mobile-10	Twin TMA Unit - Generic	133.34	0.00	0.00	1.12	0.00	0.00	0.00	30.00
T-Mobile-11	Twin TMA Unit - Generic	133.34	0.00	0.00	1.12	120.00	0.00	0.00	30.00
T-Mobile-12	Twin TMA Unit - Generic	133.34	0.00	0.00	1.12	240.00	0.00	0.00	30.00
T-Mobile-13	RRHU-11 RRH Unit	133.34	0.00	0.00	2.99	0.00	0.00	0.00	60.00
T-Mobile-14	RRHU-11 RRH Unit	133.34	0.00	0.00	2.99	120.00	0.00	0.00	60.00
T-Mobile-15	RRHU-11 RRH Unit	133.34	0.00	0.00	2.99	240.00	0.00	0.00	60.00
T-Mobile-16	Ericsson 4478 (B71) RRH Unit	133.34	0.00	0.00	1.26	0.00	0.00	0.00	72.00
T-Mobile-17	Ericsson 4478 (B71) RRH Unit	133.34	0.00	0.00	1.26	120.00	0.00	0.00	72.00
T-Mobile-18	Ericsson 4478 (B71) RRH Unit	133.34	0.00	0.00	1.26	240.00	0.00	0.00	72.00
T-Mobile-19	Diplexer Unit - Generic	133.34	0.00	0.00	0.72	0.00	0.00	0.00	30.00
T-Mobile-20	Diplexer Unit - Generic	133.34	0.00	0.00	0.72	120.00	0.00	0.00	30.00
T-Mobile-21	Diplexer Unit - Generic	133.34	0.00	0.00	0.72	240.00	0.00	0.00	30.00
ATT-A	12` T-Arm	150.00	0.00	0.00	13.60	0.00	0.00	0.00	558.00
ATT-B	12` T-Arm	150.00	0.00	0.00	13.60	120.00	0.00	0.00	558.00
ATT-C	12` T-Arm	150.00	0.00	0.00	13.60	240.00	0.00	0.00	558.00
ATT-A1	Powerwave 7770	150.00	0.00	0.00	5.88	0.00	0.00	0.00	42.00
ATT-A2	Powerwave 7770	150.00	0.00	0.00	5.88	0.00	0.00	0.00	42.00
ATT-A3	RRHU-11 RRH Unit	150.00	0.00	0.00	2.99	0.00	0.00	0.00	60.00
ATT-A4	TMA Unit (LGP24101)	150.00	0.00	0.00	1.29	0.00	0.00	0.00	16.92
ATT-A5	TMA Unit (LGP24101)	150.00	0.00	0.00	1.29	0.00	0.00	0.00	16.92
ATT-A6	Raycap Surge Suppressor	150.00	0.00	0.00	1.79	0.00	0.00	0.00	32.40
ATT-A7	OPA-65-LCUU-H6 Panel	150.00	0.00	0.00	10.12	0.00	0.00	0.00	76.80
ATT-A8	RRUS-32 RRH Unit	150.00	0.00	0.00	3.88	0.00	0.00	0.00	96.00
ATT-B1	RRHU-11 RRH Unit	150.00	0.00	0.00	2.99	120.00	0.00	0.00	60.00
ATT-B2	TMA Unit (LGP24101)	150.00	0.00	0.00	1.29	120.00	0.00	0.00	16.92
ATT-B3	TMA Unit (LGP24101)	150.00	0.00	0.00	1.29	120.00	0.00	0.00	16.92

T-Mobile-4	Ericsson AIR B2A/B4P	133.34	0.00	0.00	6.53	120.00	0.00	0.00	99.02
T-Mobile-5	AIR32 B66/B2A	133.34	0.00	0.00	5.84	120.00	0.00	0.00	118.98
T-Mobile-6	APXVAA24_43-U-A20 (RFS)	133.34	0.00	0.00	22.38	120.00	0.00	0.00	135.00
T-Mobile-7	Ericsson AIR B2A/B4P	133.34	0.00	0.00	6.53	240.00	0.00	0.00	99.02
T-Mobile-8	AIR32 B66/B2A	133.34	0.00	0.00	5.84	240.00	0.00	0.00	118.98
T-Mobile-9	APXVAA24_43-U-A20 (RFS)	133.34	0.00	0.00	22.38	240.00	0.00	0.00	135.00
T-Mobile-10	Twin TMA Unit - Generic	133.34	0.00	0.00	1.12	0.00	0.00	0.00	22.50
T-Mobile-11	Twin TMA Unit - Generic	133.34	0.00	0.00	1.12	120.00	0.00	0.00	22.50
T-Mobile-12	Twin TMA Unit - Generic	133.34	0.00	0.00	1.12	240.00	0.00	0.00	22.50
T-Mobile-13	RRHU-11 RRH Unit	133.34	0.00	0.00	2.99	0.00	0.00	0.00	45.00
T-Mobile-14	RRHU-11 RRH Unit	133.34	0.00	0.00	2.99	120.00	0.00	0.00	45.00
T-Mobile-15	RRHU-11 RRH Unit	133.34	0.00	0.00	2.99	240.00	0.00	0.00	45.00
T-Mobile-16	Ericsson 4478 (B71) RRH Unit	133.34	0.00	0.00	1.26	0.00	0.00	0.00	54.00
T-Mobile-17	Ericsson 4478 (B71) RRH Unit	133.34	0.00	0.00	1.26	120.00	0.00	0.00	54.00
T-Mobile-18	Ericsson 4478 (B71) RRH Unit	133.34	0.00	0.00	1.26	240.00	0.00	0.00	54.00
T-Mobile-19	Diplexer Unit - Generic	133.34	0.00	0.00	0.72	0.00	0.00	0.00	22.50
T-Mobile-20	Diplexer Unit - Generic	133.34	0.00	0.00	0.72	120.00	0.00	0.00	22.50
T-Mobile-21	Diplexer Unit - Generic	133.34	0.00	0.00	0.72	240.00	0.00	0.00	22.50
ATT-A	12` T-Arm	150.00	0.00	0.00	13.60	0.00	0.00	0.00	418.50
ATT-B	12` T-Arm	150.00	0.00	0.00	13.60	120.00	0.00	0.00	418.50
ATT-C	12` T-Arm	150.00	0.00	0.00	13.60	240.00	0.00	0.00	418.50
ATT-A1	Powerwave 7770	150.00	0.00	0.00	5.88	0.00	0.00	0.00	31.50
ATT-A2	Powerwave 7770	150.00	0.00	0.00	5.88	0.00	0.00	0.00	31.50
ATT-A3	RRHU-11 RRH Unit	150.00	0.00	0.00	2.99	0.00	0.00	0.00	45.00
ATT-A4	TMA Unit (LGP24101)	150.00	0.00	0.00	1.29	0.00	0.00	0.00	12.69
ATT-A5	TMA Unit (LGP24101)	150.00	0.00	0.00	1.29	0.00	0.00	0.00	12.69
ATT-A6	Raycap Surge Suppressor	150.00	0.00	0.00	1.79	0.00	0.00	0.00	24.30
ATT-A7	OPA-65-LCUU-H6 Panel	150.00	0.00	0.00	10.12	0.00	0.00	0.00	57.60
ATT-A8	RRUS-32 RRH Unit	150.00	0.00	0.00	3.88	0.00	0.00	0.00	72.00
ATT-B1	RRHU-11 RRH Unit	150.00	0.00	0.00	2.99	120.00	0.00	0.00	45.00
ATT-B2	TMA Unit (LGP24101)	150.00	0.00	0.00	1.29	120.00	0.00	0.00	12.69
ATT-B3	TMA Unit (LGP24101)	150.00	0.00	0.00	1.29	120.00	0.00	0.00	12.69
ATT-B4	OPA-65-LCUU-H6 Panel	150.00	0.00	0.00	10.12	120.00	0.00	0.00	57.60
ATT-B5	RRUS-32 RRH Unit	150.00	0.00	0.00	3.88	120.00	0.00	0.00	72.00
ATT-C1	RRHU-11 RRH Unit	150.00	0.00	0.00	2.99	240.00	0.00	0.00	45.00
ATT-C2	TMA Unit (LGP24101)	150.00	0.00	0.00	1.29	240.00	0.00	0.00	12.69
ATT-C3	TMA Unit (LGP24101)	150.00	0.00	0.00	1.29	240.00	0.00	0.00	12.69
ATT-C4	OPA-65-LCUU-H6 Panel	150.00	0.00	0.00	10.12	240.00	0.00	0.00	57.60
ATT-C5	RRUS-32 RRH Unit	150.00	0.00	0.00	3.88	240.00	0.00	0.00	72.00
CSP-70	Sinclair SC479-HF1LDF w/ ice	160.00	0.00	0.00	5.06	0.00	0.00	0.00	30.60
CSP-71	Sinclair SC479-HF1LDF w/ ice	160.00	0.00	0.00	5.06	120.00	0.00	0.00	30.60
CSP-72	Sinclair SC479-HF1LDF w/ ice	160.00	0.00	0.00	5.06	240.00	0.00	0.00	30.60
CSP-73	TMA	160.00	0.00	0.00	1.29	240.00	0.00	0.00	13.50
DNK21-SPD9	8` Dish with Radome	160.00	0.00	0.00	51.32	0.00	0.86330	0.00	504.00
DNK20-UNKNOWN	4`x1` Panel	160.00	0.00	0.00	6.53	240.00	0.00	0.00	27.00
DNK19-STAM63	4`x1` Panel	160.00	0.00	0.00	6.53	120.00	0.00	0.00	27.00
159-A	3` Stand-Off	160.00	0.00	0.00	2.72	0.00	0.00	0.00	45.00
159-B	3` Stand-Off	160.00	0.00	0.00	2.72	120.00	0.00	0.00	45.00
160	3` Stand-Off	160.00	0.00	0.00	2.72	240.00	0.00	0.00	45.00
DNK22-TOG-6	DB586-Y	165.00	0.00	0.00	1.01	0.00	0.00	0.00	7.42
DNK23-STAM64	4`x1` Panel	165.00	0.00	0.00	6.53	0.00	0.00	0.00	27.00
DNK23-STAM65	TMA	165.00	0.00	0.00	1.29	0.00	0.00	0.00	13.50
GRN-1 (DNK25)	4` Dish	170.00	0.00	0.00	13.10	50.00	1.66410	0.08980	-0.06910
DNK26aCSP-67	Dipole	175.00	0.00	0.00	9.17	0.00	0.00	0.00	41.40
DNK26bNEU-20	4` Dipole	175.00	0.00	0.00	3.70	0.00	0.00	0.00	36.00
DNK27A-CSP4	Sinclair SC479-HF1LDF w/ ice	175.00	0.00	0.00	5.06	240.00	0.00	0.00	30.60
DNK27B-CSP2	Scala OGT9-806 w/ ice	175.00	0.00	0.00	2.27	120.00	0.00	0.00	16.65
DNK27C-CSP74	TMA	175.00	0.00	0.00	1.29	120.00	0.00	0.00	13.50
DNK28A-CSP1	Scala OGT9-806 w/ ice	175.00	0.00	0.00	2.27	120.00	0.00	0.00	16.65
DNK28B-CSP3	Sinclair SC479-HF1LDF w/ ice	175.00	0.00	0.00	5.06	240.00	0.00	0.00	30.60
DNK28C-TOG5	Andrew DB-583 w/ ice	175.00	0.00	0.00	0.54	0.00	0.00	0.00	5.63
DNK28D-NEU55	Decibel PD-420 2 bay - Dipole	175.00	0.00	0.00	1.64	240.00	0.00	0.00	9.00
Top-A	6` Stand-Off	180.00	0.00	0.00	10.60	0.00	0.00	0.00	126.00
Top-B	6` Stand-Off	180.00	0.00	0.00	10.60	120.00	0.00	0.00	126.00
Top-C1	6` Stand-Off	180.00	0.00	0.00	10.60	260.00	0.00	0.00	126.00
Top-C2	6` Stand-Off	180.00	0.00	0.00	10.60	220.00	0.00	0.00	126.00
ATT-B7	Powerwave 7770	150.00	0.00	0.00	5.88	120.00	0.00	0.00	31.50
ATT-B8	Powerwave 7770	150.00	0.00	0.00	5.88	120.00	0.00	0.00	31.50
ATT-C7	Powerwave 7770	150.00	0.00	0.00	5.88	240.00	0.00	0.00	31.50

Sprint-14	800 MHz RRH Unit	113.34	8.66	0.00	6.90	120.00	59.76	0.00	60.00
Sprint-15	800 MHz RRH Unit	113.34	8.66	0.00	6.90	240.00	59.76	0.00	60.00
Sprint-16	TD-RRH 8x20-25 RRH Unit	113.34	8.66	0.00	4.72	0.00	40.89	0.00	66.13
Sprint-17	TD-RRH 8x20-25 RRH Unit	113.34	8.66	0.00	4.72	120.00	40.89	0.00	66.13
Sprint-18	TD-RRH 8x20-25 RRH Unit	113.34	8.66	0.00	4.72	240.00	40.89	0.00	66.13
Verizon-A	Boom Gate	126.66	8.86	0.00	13.60	0.00	120.50	0.00	471.00
Verizon-B	Boom Gate	126.66	8.86	0.00	13.60	120.00	120.50	0.00	471.00
Verizon-C	Boom Gate	126.66	8.86	0.00	13.60	240.00	120.50	0.00	471.00
Verizon-1	Decibel DB844H80-XY w/ ice	126.66	8.86	0.00	3.97	0.00	35.15	0.00	10.00
Verizon-2	Decibel DB844H80-XY w/ ice	126.66	8.86	0.00	3.97	0.00	35.15	0.00	10.00
Verizon-3	Decibel DB844H80-XY w/ ice	126.66	8.86	0.00	3.97	120.00	35.15	0.00	10.00
Verizon-4	Decibel DB844H80-XY w/ ice	126.66	8.86	0.00	3.97	120.00	35.15	0.00	10.00
Verizon-5	Decibel DB844H80-XY w/ ice	126.66	8.86	0.00	3.97	240.00	35.15	0.00	10.00
Verizon-6	Decibel DB844H80-XY w/ ice	126.66	8.86	0.00	3.97	240.00	35.15	0.00	10.00
Verizon-7	JAHH-65B-R3B Panel	126.66	8.86	0.00	9.66	0.00	85.59	0.00	126.30
Verizon-8	JAHH-65B-R3B Panel	126.66	8.86	0.00	9.66	0.00	85.59	0.00	126.30
Verizon-9	JAHH-65B-R3B Panel	126.66	8.86	0.00	9.66	120.00	85.59	0.00	126.30
Verizon-10	JAHH-65B-R3B Panel	126.66	8.86	0.00	9.66	120.00	85.59	0.00	126.30
Verizon-11	JAHH-65B-R3B Panel	126.66	8.86	0.00	9.66	240.00	85.59	0.00	126.30
Verizon-12	JAHH-65B-R3B Panel	126.66	8.86	0.00	9.66	240.00	85.59	0.00	126.30
Verizon-D	BSAMNT-SBS-2-2 Mount for JAHH Antenna	126.66	8.86	0.00	3.78	0.00	33.53	0.00	116.00
Verizon-E	BSAMNT-SBS-2-2 Mount for JAHH Antenna	126.66	8.86	0.00	3.78	120.00	33.53	0.00	116.00
Verizon-F	BSAMNT-SBS-2-2 Mount for JAHH Antenna	126.66	8.86	0.00	3.78	240.00	33.53	0.00	116.00
Verizon-22	Raycap DB-T1-6Z-8AB-0Z Dist. Box	126.66	8.86	0.00	5.60	0.00	49.62	0.00	45.00
NEU-18	12` Omni	126.66	8.86	0.00	4.00	0.00	35.44	0.00	55.00
DNK15-CSP21	RFS PD1142 w/ ice	133.34	8.95	0.00	1.32	120.00	11.78	0.00	10.00
MT-DNK15	3` Stand-Off	133.34	8.95	0.00	2.72	120.00	24.36	0.00	50.00
DNK-12	5` Dipole	133.34	8.95	0.00	3.95	240.00	35.40	0.00	50.00
MT-DNK12	3` Stand-Off	133.34	8.95	0.00	2.72	240.00	24.36	0.00	50.00
T-Mobile-1	Ericsson AIR B2A/B4P	133.34	8.95	0.00	6.53	0.00	58.50	0.00	110.02
T-Mobile-2	AIR32 B66/B2A	133.34	8.95	0.00	5.84	0.00	52.33	0.00	132.20
T-Mobile-3	APXVAA24_43-U-A20 (RFS)	133.34	8.95	0.00	22.38	0.00	200.37	0.00	150.00
T-Mobile-4	Ericsson AIR B2A/B4P	133.34	8.95	0.00	6.53	120.00	58.50	0.00	110.02
T-Mobile-5	AIR32 B66/B2A	133.34	8.95	0.00	5.84	120.00	52.33	0.00	132.20
T-Mobile-6	APXVAA24_43-U-A20 (RFS)	133.34	8.95	0.00	22.38	120.00	200.37	0.00	150.00
T-Mobile-7	Ericsson AIR B2A/B4P	133.34	8.95	0.00	6.53	240.00	58.50	0.00	110.02
T-Mobile-8	AIR32 B66/B2A	133.34	8.95	0.00	5.84	240.00	52.33	0.00	132.20
T-Mobile-9	APXVAA24_43-U-A20 (RFS)	133.34	8.95	0.00	22.38	240.00	200.37	0.00	150.00
T-Mobile-10	Twin TMA Unit - Generic	133.34	8.95	0.00	1.12	0.00	10.07	0.00	25.00
T-Mobile-11	Twin TMA Unit - Generic	133.34	8.95	0.00	1.12	120.00	10.07	0.00	25.00
T-Mobile-12	Twin TMA Unit - Generic	133.34	8.95	0.00	1.12	240.00	10.07	0.00	25.00
T-Mobile-13	RRHU-11 RRH Unit	133.34	8.95	0.00	2.99	0.00	26.81	0.00	50.00
T-Mobile-14	RRHU-11 RRH Unit	133.34	8.95	0.00	2.99	120.00	26.81	0.00	50.00
T-Mobile-15	RRHU-11 RRH Unit	133.34	8.95	0.00	2.99	240.00	26.81	0.00	50.00
T-Mobile-16	Ericsson 4478 (B71) RRH Unit	133.34	8.95	0.00	1.26	0.00	11.31	0.00	60.00
T-Mobile-17	Ericsson 4478 (B71) RRH Unit	133.34	8.95	0.00	1.26	120.00	11.31	0.00	60.00
T-Mobile-18	Ericsson 4478 (B71) RRH Unit	133.34	8.95	0.00	1.26	240.00	11.31	0.00	60.00
T-Mobile-19	Diplexer Unit - Generic	133.34	8.95	0.00	0.72	0.00	6.49	0.00	25.00
T-Mobile-20	Diplexer Unit - Generic	133.34	8.95	0.00	0.72	120.00	6.49	0.00	25.00
T-Mobile-21	Diplexer Unit - Generic	133.34	8.95	0.00	0.72	240.00	6.49	0.00	25.00
ATT-A	12` T-Arm	150.00	9.18	0.00	13.60	0.00	124.78	0.00	465.00
ATT-B	12` T-Arm	150.00	9.18	0.00	13.60	120.00	124.78	0.00	465.00
ATT-C	12` T-Arm	150.00	9.18	0.00	13.60	240.00	124.78	0.00	465.00
ATT-A1	Powerwave 7770	150.00	9.18	0.00	5.88	0.00	53.95	0.00	35.00
ATT-A2	Powerwave 7770	150.00	9.18	0.00	5.88	0.00	53.95	0.00	35.00
ATT-A3	RRHU-11 RRH Unit	150.00	9.18	0.00	2.99	0.00	27.47	0.00	50.00
ATT-A4	TMA Unit (LGP24101)	150.00	9.18	0.00	1.29	0.00	11.82	0.00	14.10
ATT-A5	TMA Unit (LGP24101)	150.00	9.18	0.00	1.29	0.00	11.82	0.00	14.10
ATT-A6	Raycap Surge Suppressor	150.00	9.18	0.00	1.79	0.00	16.40	0.00	27.00
ATT-A7	OPA-65-LCUU-H6 Panel	150.00	9.18	0.00	10.12	0.00	92.87	0.00	64.00
ATT-A8	RRUS-32 RRH Unit	150.00	9.18	0.00	3.88	0.00	35.59	0.00	80.00
ATT-B1	RRHU-11 RRH Unit	150.00	9.18	0.00	2.99	120.00	27.47	0.00	50.00
ATT-B2	TMA Unit (LGP24101)	150.00	9.18	0.00	1.29	120.00	11.82	0.00	14.10
ATT-B3	TMA Unit (LGP24101)	150.00	9.18	0.00	1.29	120.00	11.82	0.00	14.10
ATT-B4	OPA-65-LCUU-H6 Panel	150.00	9.18	0.00	10.12	120.00	92.87	0.00	64.00
ATT-B5	RRUS-32 RRH Unit	150.00	9.18	0.00	3.88	120.00	35.59	0.00	80.00
ATT-C1	RRHU-11 RRH Unit	150.00	9.18	0.00	2.99	240.00	27.47	0.00	50.00
ATT-C2	TMA Unit (LGP24101)	150.00	9.18	0.00	1.29	240.00	11.82	0.00	14.10
ATT-C3	TMA Unit (LGP24101)	150.00	9.18	0.00	1.29	240.00	11.82	0.00	14.10

DNK-1	5` Dipole	60.00	0.00	0.00	3.95	0.00	0.00	0.00	60.00
MT-DNK1	3` Stand-Off	60.00	0.00	0.00	2.72	0.00	0.00	0.00	60.00
DNK2-GPS68	GPS	60.00	0.00	0.00	1.00	120.00	0.00	0.00	12.00
MT-DNK2	3` Stand-Off	60.00	0.00	0.00	2.72	120.00	0.00	0.00	60.00
DNK3-GPS69	GPS	60.00	0.00	0.00	1.00	240.00	0.00	0.00	12.00
MT-DNK3	3` Stand-Off	60.00	0.00	0.00	2.72	240.00	0.00	0.00	60.00
DNK4-DOT56	10` Dipole	60.00	0.00	0.00	9.17	240.00	0.00	0.00	55.20
MT-DNK4	3` Stand-Off	60.00	0.00	0.00	2.72	240.00	0.00	0.00	60.00
DNK5-NEU16	8` Omni	80.00	0.00	0.00	2.00	240.00	0.00	0.00	6.00
MT-DNK5	6` Stand-Off	80.00	0.00	0.00	10.60	240.00	0.00	0.00	168.00
DNK9-DEP54	RFS PD1142 w/ ice	120.00	0.00	0.00	1.32	120.00	0.00	0.00	12.00
MT-DNK9	3` Stand-Off	120.00	0.00	0.00	2.72	120.00	0.00	0.00	60.00
DNK8-CSP66	RFS PD1142 w/ ice	120.00	0.00	0.00	1.32	120.00	0.00	0.00	12.00
DNK7-NEU17	12` Omni	113.34	0.00	0.00	4.00	0.00	0.00	0.00	66.00
MT-DNK7	3` Stand-Off	113.34	0.00	0.00	2.72	0.00	0.00	0.00	60.00
Sprint-A	12` T-Arm	113.34	0.00	0.00	13.60	0.00	0.00	0.00	558.00
Sprint-B	12` T-Arm	113.34	0.00	0.00	13.60	120.00	0.00	0.00	558.00
Sprint-C	12` T-Arm	113.34	0.00	0.00	13.60	240.00	0.00	0.00	558.00
Sprint-1	RFS APXVSPP18-C w/ ice	113.34	0.00	0.00	8.26	0.00	0.00	0.00	108.00
Sprint-2	ALU RRH	113.34	0.00	0.00	6.90	0.00	0.00	0.00	72.00
Sprint-3	ALU RRH	113.34	0.00	0.00	6.90	0.00	0.00	0.00	72.00
Sprint-4	RFS APXVSPP18-C w/ ice	113.34	0.00	0.00	8.26	120.00	0.00	0.00	108.00
Sprint-5	ALU RRH	113.34	0.00	0.00	6.90	120.00	0.00	0.00	72.00
Sprint-6	ALU RRH	113.34	0.00	0.00	6.90	120.00	0.00	0.00	72.00
Sprint-7	RFS APXVSPP18-C w/ ice	113.34	0.00	0.00	8.26	240.00	0.00	0.00	108.00
Sprint-8	ALU RRH	113.34	0.00	0.00	6.90	240.00	0.00	0.00	72.00
Sprint-9	ALU RRH	113.34	0.00	0.00	6.90	240.00	0.00	0.00	72.00
Sprint-10	DT465B-2XR-V2	113.34	0.00	0.00	9.65	0.00	0.00	0.00	106.08
Sprint-11	DT465B-2XR-V2	113.34	0.00	0.00	9.65	120.00	0.00	0.00	106.08
Sprint-12	DT465B-2XR-V2	113.34	0.00	0.00	9.65	240.00	0.00	0.00	106.08
Sprint-13	800 MHz RRH Unit	113.34	0.00	0.00	6.90	0.00	0.00	0.00	72.00
Sprint-14	800 MHz RRH Unit	113.34	0.00	0.00	6.90	120.00	0.00	0.00	72.00
Sprint-15	800 MHz RRH Unit	113.34	0.00	0.00	6.90	240.00	0.00	0.00	72.00
Sprint-16	TD-RRH 8x20-25 RRH Unit	113.34	0.00	0.00	4.72	0.00	0.00	0.00	79.36
Sprint-17	TD-RRH 8x20-25 RRH Unit	113.34	0.00	0.00	4.72	120.00	0.00	0.00	79.36
Sprint-18	TD-RRH 8x20-25 RRH Unit	113.34	0.00	0.00	4.72	240.00	0.00	0.00	79.36
Verizon-A	Boom Gate	126.66	0.00	0.00	13.60	0.00	0.00	0.00	565.20
Verizon-B	Boom Gate	126.66	0.00	0.00	13.60	120.00	0.00	0.00	565.20
Verizon-C	Boom Gate	126.66	0.00	0.00	13.60	240.00	0.00	0.00	565.20
Verizon-1	Decibel DB844H80-XY w/ ice	126.66	0.00	0.00	3.97	0.00	0.00	0.00	12.00
Verizon-2	Decibel DB844H80-XY w/ ice	126.66	0.00	0.00	3.97	0.00	0.00	0.00	12.00
Verizon-3	Decibel DB844H80-XY w/ ice	126.66	0.00	0.00	3.97	120.00	0.00	0.00	12.00
Verizon-4	Decibel DB844H80-XY w/ ice	126.66	0.00	0.00	3.97	120.00	0.00	0.00	12.00
Verizon-5	Decibel DB844H80-XY w/ ice	126.66	0.00	0.00	3.97	240.00	0.00	0.00	12.00
Verizon-6	Decibel DB844H80-XY w/ ice	126.66	0.00	0.00	3.97	240.00	0.00	0.00	12.00
Verizon-7	JAHH-65B-R3B Panel	126.66	0.00	0.00	9.66	0.00	0.00	0.00	151.56
Verizon-8	JAHH-65B-R3B Panel	126.66	0.00	0.00	9.66	0.00	0.00	0.00	151.56
Verizon-9	JAHH-65B-R3B Panel	126.66	0.00	0.00	9.66	120.00	0.00	0.00	151.56
Verizon-10	JAHH-65B-R3B Panel	126.66	0.00	0.00	9.66	120.00	0.00	0.00	151.56
Verizon-11	JAHH-65B-R3B Panel	126.66	0.00	0.00	9.66	240.00	0.00	0.00	151.56
Verizon-12	JAHH-65B-R3B Panel	126.66	0.00	0.00	9.66	240.00	0.00	0.00	151.56
Verizon-D	BSAMNT-SBS-2-2 Mount for JAHH Antenna	126.66	0.00	0.00	3.78	0.00	0.00	0.00	139.20
Verizon-E	BSAMNT-SBS-2-2 Mount for JAHH Antenna	126.66	0.00	0.00	3.78	120.00	0.00	0.00	139.20
Verizon-F	BSAMNT-SBS-2-2 Mount for JAHH Antenna	126.66	0.00	0.00	3.78	240.00	0.00	0.00	139.20
Verizon-22	Raycap DB-T1-6Z-8AB-0Z Dist. Box	126.66	0.00	0.00	5.60	0.00	0.00	0.00	54.00
NEU-18	12` Omni	126.66	0.00	0.00	4.00	0.00	0.00	0.00	66.00
DNK15-CSP21	RFS PD1142 w/ ice	133.34	0.00	0.00	1.32	120.00	0.00	0.00	12.00
MT-DNK15	3` Stand-Off	133.34	0.00	0.00	2.72	120.00	0.00	0.00	60.00
DNK-12	5` Dipole	133.34	0.00	0.00	3.95	240.00	0.00	0.00	60.00
MT-DNK12	3` Stand-Off	133.34	0.00	0.00	2.72	240.00	0.00	0.00	60.00
T-Mobile-1	Ericsson AIR B2A/B4P	133.34	0.00	0.00	6.53	0.00	0.00	0.00	132.02
T-Mobile-2	AIR32 B66/B2A	133.34	0.00	0.00	5.84	0.00	0.00	0.00	158.64
T-Mobile-3	APXVAA24_43-U-A20 (RFS)	133.34	0.00	0.00	22.38	0.00	0.00	0.00	180.00
T-Mobile-4	Ericsson AIR B2A/B4P	133.34	0.00	0.00	6.53	120.00	0.00	0.00	132.02
T-Mobile-5	AIR32 B66/B2A	133.34	0.00	0.00	5.84	120.00	0.00	0.00	158.64
T-Mobile-6	APXVAA24_43-U-A20 (RFS)	133.34	0.00	0.00	22.38	120.00	0.00	0.00	180.00
T-Mobile-7	Ericsson AIR B2A/B4P	133.34	0.00	0.00	6.53	240.00	0.00	0.00	132.02
T-Mobile-8	AIR32 B66/B2A	133.34	0.00	0.00	5.84	240.00	0.00	0.00	158.64

T-Mobile-9	APXVAA24_43-U-A20 (RFS)	133.34	0.00	0.00	22.38	240.00			0.00	0.00	180.00	
T-Mobile-10	Twin TMA Unit - Generic	133.34	0.00	0.00	1.12	0.00			0.00	0.00	30.00	
T-Mobile-11	Twin TMA Unit - Generic	133.34	0.00	0.00	1.12	120.00			0.00	0.00	30.00	
T-Mobile-12	Twin TMA Unit - Generic	133.34	0.00	0.00	1.12	240.00			0.00	0.00	30.00	
T-Mobile-13	RRHU-11 RRH Unit	133.34	0.00	0.00	2.99	0.00			0.00	0.00	60.00	
T-Mobile-14	RRHU-11 RRH Unit	133.34	0.00	0.00	2.99	120.00			0.00	0.00	60.00	
T-Mobile-15	RRHU-11 RRH Unit	133.34	0.00	0.00	2.99	240.00			0.00	0.00	60.00	
T-Mobile-16	Ericsson 4478 (B71) RRH Unit	133.34	0.00	0.00	1.26	0.00			0.00	0.00	72.00	
T-Mobile-17	Ericsson 4478 (B71) RRH Unit	133.34	0.00	0.00	1.26	120.00			0.00	0.00	72.00	
T-Mobile-18	Ericsson 4478 (B71) RRH Unit	133.34	0.00	0.00	1.26	240.00			0.00	0.00	72.00	
T-Mobile-19	Diplexer Unit - Generic	133.34	0.00	0.00	0.72	0.00			0.00	0.00	30.00	
T-Mobile-20	Diplexer Unit - Generic	133.34	0.00	0.00	0.72	120.00			0.00	0.00	30.00	
T-Mobile-21	Diplexer Unit - Generic	133.34	0.00	0.00	0.72	240.00			0.00	0.00	30.00	
ATT-A	12` T-Arm	150.00	0.00	0.00	13.60	0.00			0.00	0.00	558.00	
ATT-B	12` T-Arm	150.00	0.00	0.00	13.60	120.00			0.00	0.00	558.00	
ATT-C	12` T-Arm	150.00	0.00	0.00	13.60	240.00			0.00	0.00	558.00	
ATT-A1	Powerwave 7770	150.00	0.00	0.00	5.88	0.00			0.00	0.00	42.00	
ATT-A2	Powerwave 7770	150.00	0.00	0.00	5.88	0.00			0.00	0.00	42.00	
ATT-A3	RRHU-11 RRH Unit	150.00	0.00	0.00	2.99	0.00			0.00	0.00	60.00	
ATT-A4	TMA Unit (LGP24101)	150.00	0.00	0.00	1.29	0.00			0.00	0.00	16.92	
ATT-A5	TMA Unit (LGP24101)	150.00	0.00	0.00	1.29	0.00			0.00	0.00	16.92	
ATT-A6	Raycap Surge Suppressor	150.00	0.00	0.00	1.79	0.00			0.00	0.00	32.40	
ATT-A7	OPA-65-LCUU-H6 Panel	150.00	0.00	0.00	10.12	0.00			0.00	0.00	76.80	
ATT-A8	RRUS-32 RRH Unit	150.00	0.00	0.00	3.88	0.00			0.00	0.00	96.00	
ATT-B1	RRHU-11 RRH Unit	150.00	0.00	0.00	2.99	120.00			0.00	0.00	60.00	
ATT-B2	TMA Unit (LGP24101)	150.00	0.00	0.00	1.29	120.00			0.00	0.00	16.92	
ATT-B3	TMA Unit (LGP24101)	150.00	0.00	0.00	1.29	120.00			0.00	0.00	16.92	
ATT-B4	OPA-65-LCUU-H6 Panel	150.00	0.00	0.00	10.12	120.00			0.00	0.00	76.80	
ATT-B5	RRUS-32 RRH Unit	150.00	0.00	0.00	3.88	120.00			0.00	0.00	96.00	
ATT-C1	RRHU-11 RRH Unit	150.00	0.00	0.00	2.99	240.00			0.00	0.00	60.00	
ATT-C2	TMA Unit (LGP24101)	150.00	0.00	0.00	1.29	240.00			0.00	0.00	16.92	
ATT-C3	TMA Unit (LGP24101)	150.00	0.00	0.00	1.29	240.00			0.00	0.00	16.92	
ATT-C4	OPA-65-LCUU-H6 Panel	150.00	0.00	0.00	10.12	240.00			0.00	0.00	76.80	
ATT-C5	RRUS-32 RRH Unit	150.00	0.00	0.00	3.88	240.00			0.00	0.00	96.00	
CSP-70	Sinclair SC479-HF1LDF w/ ice	160.00	0.00	0.00	5.06	0.00			0.00	0.00	40.80	
CSP-71	Sinclair SC479-HF1LDF w/ ice	160.00	0.00	0.00	5.06	120.00			0.00	0.00	40.80	
CSP-72	Sinclair SC479-HF1LDF w/ ice	160.00	0.00	0.00	5.06	240.00			0.00	0.00	40.80	
CSP-73	TMA	160.00	0.00	0.00	1.29	240.00			0.00	0.00	18.00	
DNK21-SPD9	8` Dish with Radome	160.00	0.00	0.00	51.32	0.00	0.86330		0.00	0.00	672.00	
DNK20-UNKNOWN	4`x1` Panel	160.00	0.00	0.00	6.53	240.00			0.00	0.00	36.00	
DNK19-STAM63	4`x1` Panel	160.00	0.00	0.00	6.53	120.00			0.00	0.00	36.00	
159-A	3` Stand-Off	160.00	0.00	0.00	2.72	0.00			0.00	0.00	60.00	
159-B	3` Stand-Off	160.00	0.00	0.00	2.72	120.00			0.00	0.00	60.00	
160	3` Stand-Off	160.00	0.00	0.00	2.72	240.00			0.00	0.00	60.00	
DNK22-TOG-6	DB586-Y	165.00	0.00	0.00	1.01	0.00			0.00	0.00	9.90	
DNK23-STAM64	4`x1` Panel	165.00	0.00	0.00	6.53	0.00			0.00	0.00	36.00	
DNK23-STAM65	TMA	165.00	0.00	0.00	1.29	0.00			0.00	0.00	18.00	
GRN-1 (DNK25)	4` Dish	170.00	0.00	0.00	13.10	50.00	1.66410	0.08980	-0.06910	0.00	0.00	144.00
DNK26aCSP-67	Dipole	175.00	0.00	0.00	9.17	0.00			0.00	0.00	55.20	
DNK26bNEU-20	4` Dipole	175.00	0.00	0.00	3.70	0.00			0.00	0.00	48.00	
DNK27A-CSP4	Sinclair SC479-HF1LDF w/ ice	175.00	0.00	0.00	5.06	240.00			0.00	0.00	40.80	
DNK27B-CSP2	Scala OGT9-806 w/ ice	175.00	0.00	0.00	2.27	120.00			0.00	0.00	22.20	
DNK27C-CSP74	TMA	175.00	0.00	0.00	1.29	120.00			0.00	0.00	18.00	
DNK28A-CSP1	Scala OGT9-806 w/ ice	175.00	0.00	0.00	2.27	120.00			0.00	0.00	22.20	
DNK28B-CSP3	Sinclair SC479-HF1LDF w/ ice	175.00	0.00	0.00	5.06	240.00			0.00	0.00	40.80	
DNK28C-TOG5	Andrew DB-583 w/ ice	175.00	0.00	0.00	0.54	0.00			0.00	0.00	7.50	
DNK28D-NEU55	Decibel PD-420 2 bay - Dipole	175.00	0.00	0.00	1.64	240.00			0.00	0.00	12.00	
Top-A	6` Stand-Off	180.00	0.00	0.00	10.60	0.00			0.00	0.00	168.00	
Top-B	6` Stand-Off	180.00	0.00	0.00	10.60	120.00			0.00	0.00	168.00	
Top-C1	6` Stand-Off	180.00	0.00	0.00	10.60	260.00			0.00	0.00	168.00	
Top-C2	6` Stand-Off	180.00	0.00	0.00	10.60	220.00			0.00	0.00	168.00	
ATT-B7	Powerwave 7770	150.00	0.00	0.00	5.88	120.00			0.00	0.00	42.00	
ATT-B8	Powerwave 7770	150.00	0.00	0.00	5.88	120.00			0.00	0.00	42.00	
ATT-C7	Powerwave 7770	150.00	0.00	0.00	5.88	240.00			0.00	0.00	42.00	
ATT-C8	Powerwave 7770	150.00	0.00	0.00	5.88	240.00			0.00	0.00	42.00	
Verizon-25	RRH B2/B66A (RFV01U-D1A)	126.66	0.00	0.00	3.13	0.00			0.00	0.00	139.20	
Verizon-26	RRH B2/B66A (RFV01U-D1A)	126.66	0.00	0.00	3.13	120.00			0.00	0.00	139.20	
Verizon-27	RRH B2/B66A (RFV01U-D1A)	126.66	0.00	0.00	3.13	240.00			0.00	0.00	139.20	
Verizon-28	RRH B5B/BB13 (RFV01U-D2A)	126.66	0.00	0.00	3.13	0.00			0.00	0.00	118.20	

Verizon-A	Boom Gate	126.66	0.00	0.00	13.60	0.00	0.00	0.00	423.90
Verizon-B	Boom Gate	126.66	0.00	0.00	13.60	120.00	0.00	0.00	423.90
Verizon-C	Boom Gate	126.66	0.00	0.00	13.60	240.00	0.00	0.00	423.90
Verizon-1	Decibel DB844H80-XY w/ ice	126.66	0.00	0.00	3.97	0.00	0.00	0.00	9.00
Verizon-2	Decibel DB844H80-XY w/ ice	126.66	0.00	0.00	3.97	0.00	0.00	0.00	9.00
Verizon-3	Decibel DB844H80-XY w/ ice	126.66	0.00	0.00	3.97	120.00	0.00	0.00	9.00
Verizon-4	Decibel DB844H80-XY w/ ice	126.66	0.00	0.00	3.97	120.00	0.00	0.00	9.00
Verizon-5	Decibel DB844H80-XY w/ ice	126.66	0.00	0.00	3.97	240.00	0.00	0.00	9.00
Verizon-6	Decibel DB844H80-XY w/ ice	126.66	0.00	0.00	3.97	240.00	0.00	0.00	9.00
Verizon-7	JAAH-65B-R3B Panel	126.66	0.00	0.00	9.66	0.00	0.00	0.00	113.67
Verizon-8	JAAH-65B-R3B Panel	126.66	0.00	0.00	9.66	0.00	0.00	0.00	113.67
Verizon-9	JAAH-65B-R3B Panel	126.66	0.00	0.00	9.66	120.00	0.00	0.00	113.67
Verizon-10	JAAH-65B-R3B Panel	126.66	0.00	0.00	9.66	120.00	0.00	0.00	113.67
Verizon-11	JAAH-65B-R3B Panel	126.66	0.00	0.00	9.66	240.00	0.00	0.00	113.67
Verizon-12	JAAH-65B-R3B Panel	126.66	0.00	0.00	9.66	240.00	0.00	0.00	113.67
Verizon-D	BSAMNT-SBS-2-2 Mount for JAAH Antenna	126.66	0.00	0.00	3.78	0.00	0.00	0.00	104.40
Verizon-E	BSAMNT-SBS-2-2 Mount for JAAH Antenna	126.66	0.00	0.00	3.78	120.00	0.00	0.00	104.40
Verizon-F	BSAMNT-SBS-2-2 Mount for JAAH Antenna	126.66	0.00	0.00	3.78	240.00	0.00	0.00	104.40
Verizon-22	Raycap DB-T1-6Z-8AB-0Z Dist. Box	126.66	0.00	0.00	5.60	0.00	0.00	0.00	40.50
NEU-18	12` Omni	126.66	0.00	0.00	4.00	0.00	0.00	0.00	49.50
DNK15-CSP21	RFS PD1142 w/ ice	133.34	0.00	0.00	1.32	120.00	0.00	0.00	9.00
MT-DNK15	3` Stand-Off	133.34	0.00	0.00	2.72	120.00	0.00	0.00	45.00
DNK-12	5` Dipole	133.34	0.00	0.00	3.95	240.00	0.00	0.00	45.00
MT-DNK12	3` Stand-Off	133.34	0.00	0.00	2.72	240.00	0.00	0.00	45.00
T-Mobile-1	Ericsson AIR B2A/B4P	133.34	0.00	0.00	6.53	0.00	0.00	0.00	99.02
T-Mobile-2	AIR32 B66/B2A	133.34	0.00	0.00	5.84	0.00	0.00	0.00	118.98
T-Mobile-3	APXVAA24_43-U-A20 (RFS)	133.34	0.00	0.00	22.38	0.00	0.00	0.00	135.00
T-Mobile-4	Ericsson AIR B2A/B4P	133.34	0.00	0.00	6.53	120.00	0.00	0.00	99.02
T-Mobile-5	AIR32 B66/B2A	133.34	0.00	0.00	5.84	120.00	0.00	0.00	118.98
T-Mobile-6	APXVAA24_43-U-A20 (RFS)	133.34	0.00	0.00	22.38	120.00	0.00	0.00	135.00
T-Mobile-7	Ericsson AIR B2A/B4P	133.34	0.00	0.00	6.53	240.00	0.00	0.00	99.02
T-Mobile-8	AIR32 B66/B2A	133.34	0.00	0.00	5.84	240.00	0.00	0.00	118.98
T-Mobile-9	APXVAA24_43-U-A20 (RFS)	133.34	0.00	0.00	22.38	240.00	0.00	0.00	135.00
T-Mobile-10	Twin TMA Unit - Generic	133.34	0.00	0.00	1.12	0.00	0.00	0.00	22.50
T-Mobile-11	Twin TMA Unit - Generic	133.34	0.00	0.00	1.12	120.00	0.00	0.00	22.50
T-Mobile-12	Twin TMA Unit - Generic	133.34	0.00	0.00	1.12	240.00	0.00	0.00	22.50
T-Mobile-13	RRHU-11 RRH Unit	133.34	0.00	0.00	2.99	0.00	0.00	0.00	45.00
T-Mobile-14	RRHU-11 RRH Unit	133.34	0.00	0.00	2.99	120.00	0.00	0.00	45.00
T-Mobile-15	RRHU-11 RRH Unit	133.34	0.00	0.00	2.99	240.00	0.00	0.00	45.00
T-Mobile-16	Ericsson 4478 (B71) RRH Unit	133.34	0.00	0.00	1.26	0.00	0.00	0.00	54.00
T-Mobile-17	Ericsson 4478 (B71) RRH Unit	133.34	0.00	0.00	1.26	120.00	0.00	0.00	54.00
T-Mobile-18	Ericsson 4478 (B71) RRH Unit	133.34	0.00	0.00	1.26	240.00	0.00	0.00	54.00
T-Mobile-19	Diplexer Unit - Generic	133.34	0.00	0.00	0.72	0.00	0.00	0.00	22.50
T-Mobile-20	Diplexer Unit - Generic	133.34	0.00	0.00	0.72	120.00	0.00	0.00	22.50
T-Mobile-21	Diplexer Unit - Generic	133.34	0.00	0.00	0.72	240.00	0.00	0.00	22.50
ATT-A	12` T-Arm	150.00	0.00	0.00	13.60	0.00	0.00	0.00	418.50
ATT-B	12` T-Arm	150.00	0.00	0.00	13.60	120.00	0.00	0.00	418.50
ATT-C	12` T-Arm	150.00	0.00	0.00	13.60	240.00	0.00	0.00	418.50
ATT-A1	Powerwave 7770	150.00	0.00	0.00	5.88	0.00	0.00	0.00	31.50
ATT-A2	Powerwave 7770	150.00	0.00	0.00	5.88	0.00	0.00	0.00	31.50
ATT-A3	RRHU-11 RRH Unit	150.00	0.00	0.00	2.99	0.00	0.00	0.00	45.00
ATT-A4	TMA Unit (LGP24101)	150.00	0.00	0.00	1.29	0.00	0.00	0.00	12.69
ATT-A5	TMA Unit (LGP24101)	150.00	0.00	0.00	1.29	0.00	0.00	0.00	12.69
ATT-A6	Raycap Surge Suppressor	150.00	0.00	0.00	1.79	0.00	0.00	0.00	24.30
ATT-A7	OPA-65-LCUU-H6 Panel	150.00	0.00	0.00	10.12	0.00	0.00	0.00	57.60
ATT-A8	RRUS-32 RRH Unit	150.00	0.00	0.00	3.88	0.00	0.00	0.00	72.00
ATT-B1	RRHU-11 RRH Unit	150.00	0.00	0.00	2.99	120.00	0.00	0.00	45.00
ATT-B2	TMA Unit (LGP24101)	150.00	0.00	0.00	1.29	120.00	0.00	0.00	12.69
ATT-B3	TMA Unit (LGP24101)	150.00	0.00	0.00	1.29	120.00	0.00	0.00	12.69
ATT-B4	OPA-65-LCUU-H6 Panel	150.00	0.00	0.00	10.12	120.00	0.00	0.00	57.60
ATT-B5	RRUS-32 RRH Unit	150.00	0.00	0.00	3.88	120.00	0.00	0.00	72.00
ATT-C1	RRHU-11 RRH Unit	150.00	0.00	0.00	2.99	240.00	0.00	0.00	45.00
ATT-C2	TMA Unit (LGP24101)	150.00	0.00	0.00	1.29	240.00	0.00	0.00	12.69
ATT-C3	TMA Unit (LGP24101)	150.00	0.00	0.00	1.29	240.00	0.00	0.00	12.69
ATT-C4	OPA-65-LCUU-H6 Panel	150.00	0.00	0.00	10.12	240.00	0.00	0.00	57.60
ATT-C5	RRUS-32 RRH Unit	150.00	0.00	0.00	3.88	240.00	0.00	0.00	72.00
CSP-70	Sinclair SC479-HF1LDF w/ ice	160.00	0.00	0.00	5.06	0.00	0.00	0.00	30.60
CSP-71	Sinclair SC479-HF1LDF w/ ice	160.00	0.00	0.00	5.06	120.00	0.00	0.00	30.60
CSP-72	Sinclair SC479-HF1LDF w/ ice	160.00	0.00	0.00	5.06	240.00	0.00	0.00	30.60

CSP-73		TMA	160.00	0.00	0.00	1.29	240.00			0.00	0.00	13.50
DNK21-SPD9	8` Dish with Radome		160.00	0.00	0.00	51.32	0.00	0.86330		0.00	0.00	504.00
DNK20-UNKNOWN	4`x1` Panel		160.00	0.00	0.00	6.53	240.00			0.00	0.00	27.00
DNK19-STAM63	4`x1` Panel		160.00	0.00	0.00	6.53	120.00			0.00	0.00	27.00
159-A	3` Stand-Off		160.00	0.00	0.00	2.72	0.00			0.00	0.00	45.00
159-B	3` Stand-Off		160.00	0.00	0.00	2.72	120.00			0.00	0.00	45.00
160	3` Stand-Off		160.00	0.00	0.00	2.72	240.00			0.00	0.00	45.00
DNK22-TOG-6	DB586-Y		165.00	0.00	0.00	1.01	0.00			0.00	0.00	7.42
DNK23-STAM64	4`x1` Panel		165.00	0.00	0.00	6.53	0.00			0.00	0.00	27.00
DNK23-STAM65	TMA		165.00	0.00	0.00	1.29	0.00			0.00	0.00	13.50
GRN-1 (DNK25)	4` Dish		170.00	0.00	0.00	13.10	50.00	1.66410	0.08980	-0.06910	0.00	108.00
DNK26aCSP-67	Dipole		175.00	0.00	0.00	9.17	0.00			0.00	0.00	41.40
DNK26bNEU-20	4` Dipole		175.00	0.00	0.00	3.70	0.00			0.00	0.00	36.00
DNK27A-CSP4	Sinclair SC479-HF1LDF w/ ice		175.00	0.00	0.00	5.06	240.00			0.00	0.00	30.60
DNK27B-CSP2	Scala OGT9-806 w/ ice		175.00	0.00	0.00	2.27	120.00			0.00	0.00	16.65
DNK27C-CSP74	TMA		175.00	0.00	0.00	1.29	120.00			0.00	0.00	13.50
DNK28A-CSP1	Scala OGT9-806 w/ ice		175.00	0.00	0.00	2.27	120.00			0.00	0.00	16.65
DNK28B-CSP3	Sinclair SC479-HF1LDF w/ ice		175.00	0.00	0.00	5.06	240.00			0.00	0.00	30.60
DNK28C-TOG5	Andrew DB-583 w/ ice		175.00	0.00	0.00	0.54	0.00			0.00	0.00	5.63
DNK28D-NEU55	Decibel PD-420 2 bay - Dipole		175.00	0.00	0.00	1.64	240.00			0.00	0.00	9.00
Top-A	6` Stand-Off		180.00	0.00	0.00	10.60	0.00			0.00	0.00	126.00
Top-B	6` Stand-Off		180.00	0.00	0.00	10.60	120.00			0.00	0.00	126.00
Top-C1	6` Stand-Off		180.00	0.00	0.00	10.60	260.00			0.00	0.00	126.00
Top-C2	6` Stand-Off		180.00	0.00	0.00	10.60	220.00			0.00	0.00	126.00
ATT-B7	Powerwave 7770		150.00	0.00	0.00	5.88	120.00			0.00	0.00	31.50
ATT-B8	Powerwave 7770		150.00	0.00	0.00	5.88	120.00			0.00	0.00	31.50
ATT-C7	Powerwave 7770		150.00	0.00	0.00	5.88	240.00			0.00	0.00	31.50
ATT-C8	Powerwave 7770		150.00	0.00	0.00	5.88	240.00			0.00	0.00	31.50
Verizon-25	RRH B2/B66A (RFV01U-D1A)		126.66	0.00	0.00	3.13	0.00			0.00	0.00	104.40
Verizon-26	RRH B2/B66A (RFV01U-D1A)		126.66	0.00	0.00	3.13	120.00			0.00	0.00	104.40
Verizon-27	RRH B2/B66A (RFV01U-D1A)		126.66	0.00	0.00	3.13	240.00			0.00	0.00	104.40
Verizon-28	RRH B5B/BB13 (RFV01U-D2A)		126.66	0.00	0.00	3.13	0.00			0.00	0.00	88.65
Verizon-29	RRH B5B/BB13 (RFV01U-D2A)		126.66	0.00	0.00	3.13	120.00			0.00	0.00	88.65
Verizon-30	RRH B5B/BB13 (RFV01U-D2A)		126.66	0.00	0.00	3.13	240.00			0.00	0.00	88.65
Verizon-31	CBC78T-DS-43-2X		126.66	0.00	0.00	0.83	0.00			0.00	0.00	14.09
Verizon-32	CBC78T-DS-43-2X		126.66	0.00	0.00	0.83	120.00			0.00	0.00	14.09
Verizon-33	CBC78T-DS-43-2X		126.66	0.00	0.00	0.83	240.00			0.00	0.00	14.09

EIA Section Load Case Information for "0.9DL":

Note: qzGh (adjusted wind pressure) includes: Velocity Pressure Coefficient (Kz), Topographic Factor (Kzt), Gust Effect Factor (Gh), Wind Direction Probability Factor (Kd), Wind Importance Factor (Table 2-3), Wind Load Factor (from Loads/EIA Loads)
Face RR is the minimum round reduction factor for all round angles and appurtenances in the section

Section Label	Z of Top (ft)	Z of Bottom (ft)	Ave. Elev. Above Gnd. (ft)	qzGh (psf)	Ice Thick. (in)	Face AF (ft^2)	Face AR (ft^2)	Face RR*AR (ft^2)	Face AG (ft^2)	e	DF	DR	RR	CF	Face AE (ft^2)	Face WF (lbs)	NotF AAF (ft^2)	NotF CAF	NotF AAR (ft^2)	NotF CAR	NotF AAR*CAR (ft^2)	NotF WA (lbs)	Total Wind (lbs)	Total Weight (lbs)
A	180.00	160.00	170.00	0.00	0.00	20.58	21.02	12.32	163.7	0.25	1.00	1.00	0.59	2.43	32.9	0	24.00	2.00	0.00	1.20	0.00	0	0	5031
B	160.00	140.00	150.00	0.00	0.00	22.52	27.30	16.04	191.0	0.26	1.00	1.00	0.59	2.41	38.6	0	36.00	2.00	0.00	1.20	0.00	0	0	5371
C	140.00	120.00	130.00	0.00	0.00	25.73	29.16	17.07	218.3	0.25	1.00	1.00	0.59	2.43	42.8	0	48.00	2.00	0.00	1.20	0.00	0	0	5975
D	120.00	100.00	110.00	0.00	0.00	30.37	36.61	21.63	245.5	0.27	1.00	1.00	0.59	2.37	52.0	0	48.00	2.00	0.00	1.20	0.00	0	0	6596
E	100.00	80.00	90.00	0.00	0.00	37.01	40.26	23.91	272.8	0.28	1.00	1.00	0.59	2.34	60.9	0	48.00	2.00	0.00	1.20	0.00	0	0	8985
F	80.00	60.00	70.00	0.00	0.00	37.32	43.90	25.92	300.0	0.27	1.00	1.00	0.59	2.38	63.2	0	48.00	2.00	0.00	1.20	0.00	0	0	9449
G	60.00	40.00	50.00	0.00	0.00	42.28	50.37	29.91	327.3	0.28	1.00	1.00	0.59	2.34	72.2	0	48.00	2.00	0.00	1.20	0.00	0	0	10556
H	40.00	20.00	30.00	0.00	0.00	48.05	50.83	30.12	354.6	0.28	1.00	1.00	0.59	2.35	78.2	0	48.00	2.00	0.00	1.20	0.00	0	0	11237
I	20.00	0.00	10.00	0.00	0.00	59.30	58.17	34.98	381.9	0.31	1.00	1.00	0.60	2.28	94.3	0	43.20	2.00	0.00	1.20	0.00	0	0	11326

*** Analysis Results:

Maximum element usage is 97.93% for Angle "SNB-LH2P" in load case "1: 1.2D + 1.0Dg + 1.6Wo"

Angle Forces For All Load Cases:

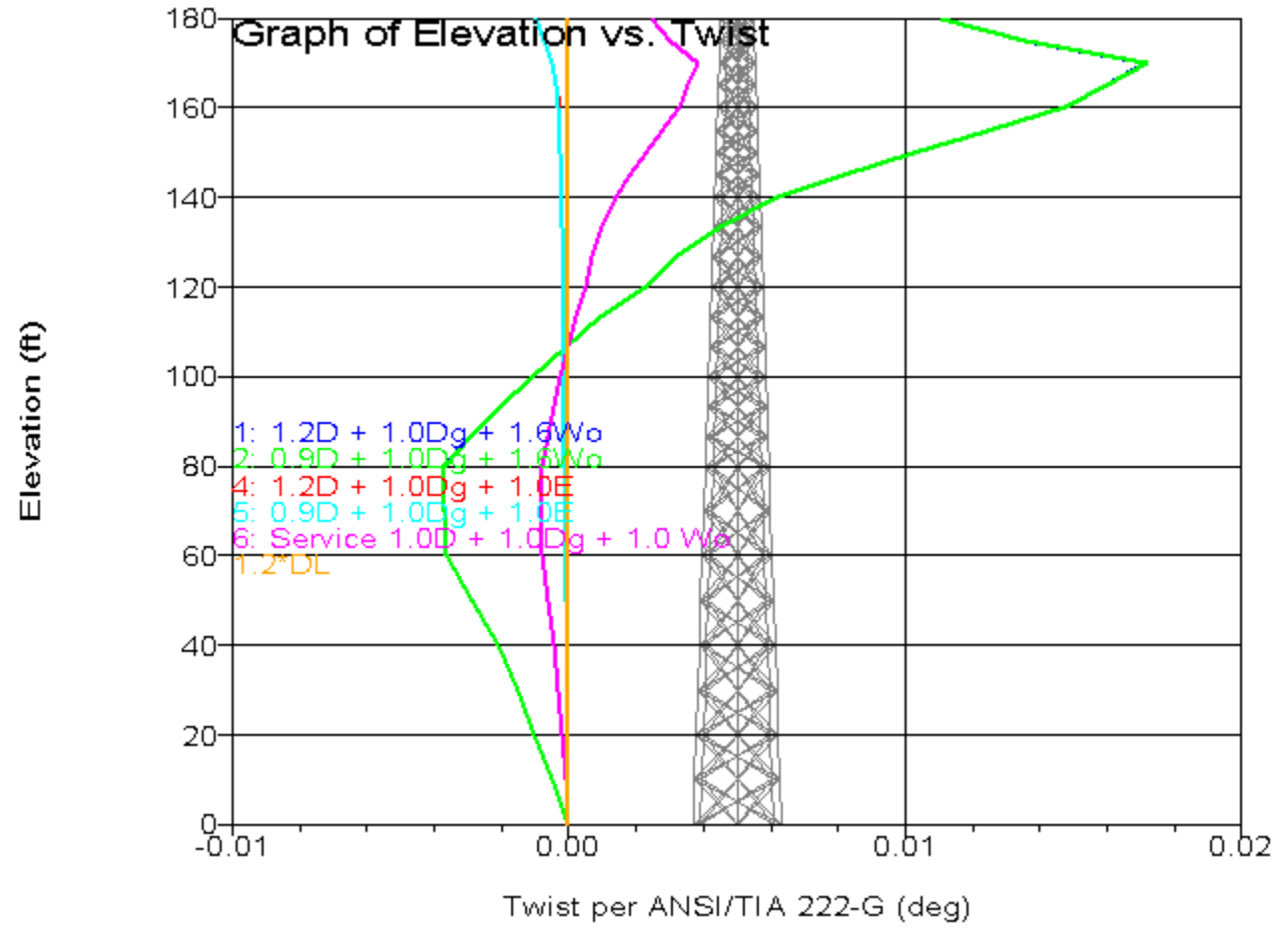
Positive for tension - negative for compression

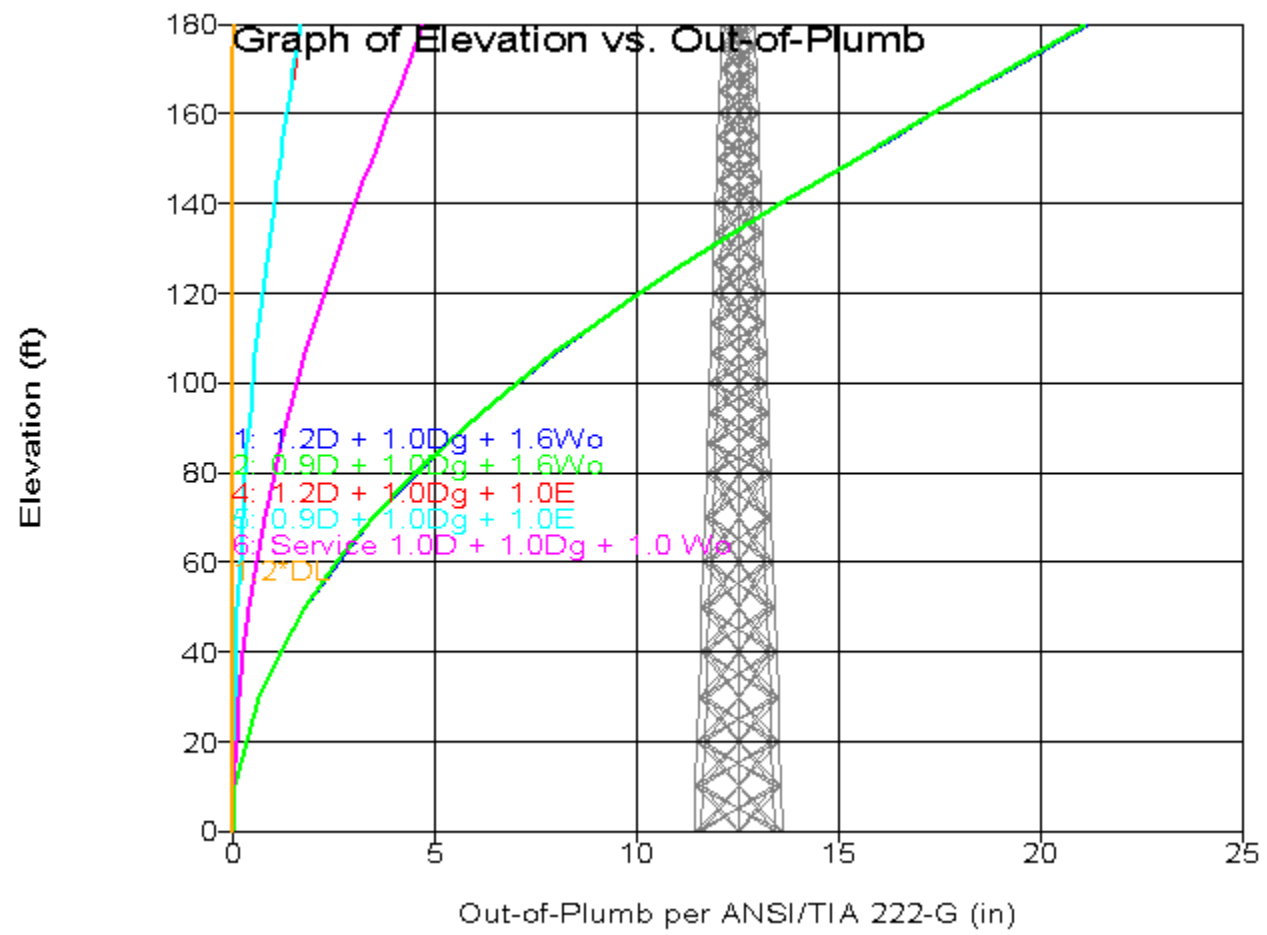
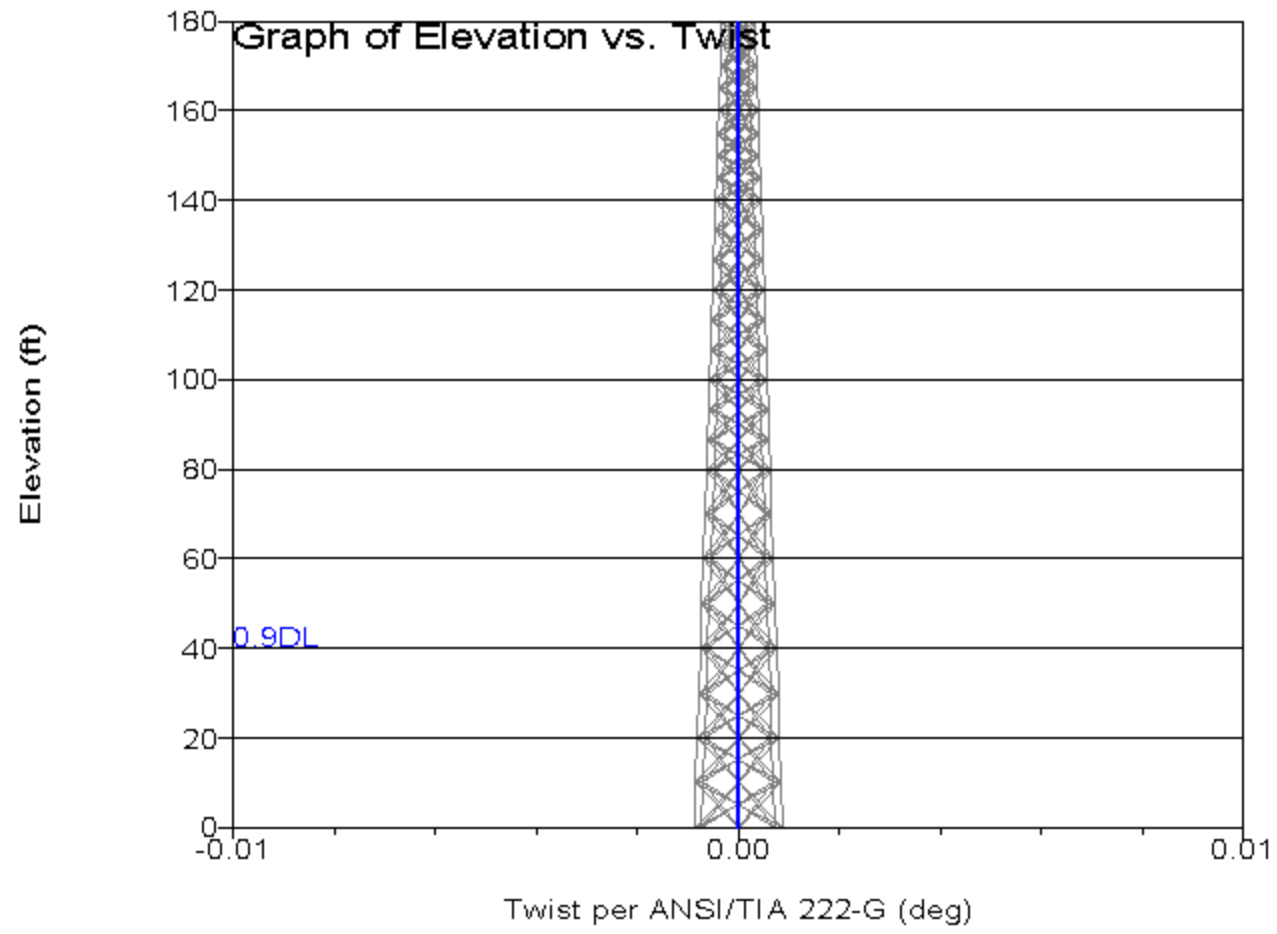
Group Label	Angle Label	Max. Usage For All LC %	Max. Tens. For All LC (kips)	Max. Comp. For All LC (kips)	LC 1 (kips)	LC 2 (kips)	LC 3 (kips)	LC 4 (kips)	LC 5 (kips)	LC 6 (kips)	LC 7 (kips)
Rohn-D1	Rohn-DA1P	11.17	0.865	-0.006	0.865	0.865	0.141	0.144	0.189	-0.006	-0.003
Rohn-D1	Rohn-DA11	1.37	0.107	0.000	0.105	0.107	0.011	0.012	0.025	0.001	0.003
Rohn-D1	Rohn-DA12	25.67	0.000	-1.400	-1.400	-1.393	-0.213	-0.209	-0.314	-0.009	-0.005
Rohn-D1	Rohn-DA2P	12.61	0.977	-0.001	0.977	0.976	0.168	0.169	0.217	-0.001	0.001
Rohn-D1	Rohn-DA21	15.15	0.000	-0.826	-0.826	-0.821	-0.165	-0.163	-0.183	-0.003	-0.000
Rohn-D1	Rohn-DA22	4.70	0.364	-0.011	0.360	0.364	0.031	0.035	0.074	-0.011	-0.006
Rohn-D1	Rohn-DA3P	10.44	0.809	-0.019	0.806	0.809	0.155	0.161	0.168	-0.019	-0.013
Rohn-D1	Rohn-DA31	1.22	0.095	-0.007	0.092	0.095	0.009	0.012	0.017	-0.007	-0.004
Rohn-D1	Rohn-DA32	33.28	0.000	-1.706	-1.706	-1.698	-0.254	-0.249	-0.383	-0.011	-0.006
Rohn-D1	Rohn-DA4P	17.93	1.390	-0.013	1.389	1.390	0.200	0.205	0.300	-0.013	-0.008
Rohn-D1	Rohn-DA41	28.69	0.000	-1.471	-1.471	-1.463	-0.229	-0.225	-0.331	-0.011	-0.006
Rohn-D1	Rohn-DA42	8.91	0.690	-0.013	0.686	0.690	0.040	0.045	0.145	-0.013	-0.008
Rohn-D1	Rohn-DA5P	18.70	1.449	-0.024	1.445	1.449	0.191	0.198	0.307	-0.024	-0.016
Rohn-D1	Rohn-DA51	4.03	0.312	-0.009	0.308	0.312	0.001	0.005	0.064	-0.009	-0.005
Rohn-D1	Rohn-DA52	32.95	0.001	-1.590	-1.590	-1.584	-0.246	-0.244	-0.351	-0.000	0.001
Rohn-D1	Rohn-DA6P	20.85	1.616	-0.024	1.612	1.616	0.213	0.221	0.343	-0.024	-0.016
Rohn-D1	Rohn-DA61	39.87	0.000	-1.924	-1.924	-1.917	-0.241	-0.238	-0.427	-0.003	-0.001
Rohn-D1	Rohn-DA62	0.20	0.015	-0.006	0.003	0.006	0.012	0.015	-0.002	-0.006	-0.003
Rohn-D1	Rohn-DA7P	20.34	1.576	-0.044	1.568	1.576	0.203	0.216	0.321	-0.044	-0.031
Rohn-D1	Rohn-DA71	39.32	0.000	-1.788	-1.788	-1.780	-0.257	-0.253	-0.398	-0.005	-0.002
Rohn-D1	Rohn-DA72	0.41	0.029	-0.018	0.023	0.029	0.007	0.013	-0.005	-0.018	-0.012
Rohn-D1	Rohn-DA8P	23.73	1.839	-0.041	1.832	1.839	0.197	0.209	0.382	-0.041	-0.029
Rohn-D1	Rohn-DA81	2.20	0.171	-0.023	0.164	0.171	-0.010	-0.003	0.023	-0.023	-0.016
Rohn-D1	Rohn-DA82	37.00	0.000	-1.682	-1.682	-1.675	-0.268	-0.265	-0.374	-0.004	-0.001
Rohn-D2	Rohn-DB1P	35.39	3.104	-0.054	3.096	3.104	0.299	0.314	0.654	-0.054	-0.039
Rohn-D2	Rohn-DB11	1.45	0.127	-0.030	0.118	0.127	-0.028	-0.019	0.008	-0.030	-0.021
Rohn-D2	Rohn-DB12	42.36	0.000	-2.745	-2.745	-2.735	-0.364	-0.360	-0.609	-0.004	-0.001
Rohn-D2	Rohn-DB2P	31.98	2.805	-0.056	2.796	2.805	0.302	0.318	0.587	-0.056	-0.040
Rohn-D2	Rohn-DB21	48.51	0.000	-3.143	-3.143	-3.133	-0.364	-0.360	-0.699	-0.006	-0.003
Rohn-D2	Rohn-DB22	4.32	0.000	-0.280	-0.280	-0.272	-0.021	-0.012	-0.077	-0.026	-0.017
Rohn-D2	Rohn-DB3P	30.12	2.642	-0.035	2.638	2.642	0.297	0.307	0.564	-0.035	-0.025
Rohn-D2	Rohn-DB31	9.50	0.833	-0.024	0.827	0.833	0.017	0.024	0.170	-0.024	-0.016
Rohn-D2	Rohn-DB32	48.83	0.004	-2.988	-2.988	-2.979	-0.376	-0.374	-0.660	0.003	0.004
Rohn-D2	Rohn-DB4P	26.01	2.281	-0.038	2.276	2.281	0.298	0.308	0.482	-0.038	-0.027
Rohn-D2	Rohn-DB41	54.33	0.003	-3.325	-3.325	-3.316	-0.373	-0.371	-0.735	0.002	0.003
Rohn-D2	Rohn-DB42	5.32	0.466	-0.021	0.461	0.466	0.023	0.030	0.091	-0.021	-0.014
Rohn-D2	Rohn-DB5P	46.53	4.081	-0.068	4.072	4.081	0.350	0.368	0.863	-0.068	-0.049
Rohn-D2	Rohn-DB51	9.91	0.869	-0.057	0.855	0.869	-0.016	0.000	0.156	-0.057	-0.041
Rohn-D2	Rohn-DB52	78.91	0.000	-4.566	-4.566	-4.543	-0.504	-0.491	-1.037	-0.041	-0.029
Rohn-D2	Rohn-DB6P	42.74	3.749	-0.069	3.740	3.749	0.352	0.370	0.788	-0.069	-0.050
Rohn-D2	Rohn-DB61	84.67	0.000	-4.899	-4.899	-4.876	-0.502	-0.489	-1.111	-0.042	-0.030
Rohn-D2	Rohn-DB62	5.90	0.517	-0.055	0.503	0.517	-0.010	0.005	0.079	-0.055	-0.040
Rohn-D2	Rohn-DB7P	52.01	4.561	-0.070	4.553	4.561	0.379	0.397	0.969	-0.070	-0.051
Rohn-D2	Rohn-DB71	3.89	0.000	-0.213	-0.213	-0.195	-0.081	-0.063	-0.086	-0.063	-0.046
Rohn-D2	Rohn-DB72	73.88	0.000	-4.046	-4.046	-4.021	-0.488	-0.473	-0.928	-0.052	-0.037
Rohn-D2	Rohn-DB8P	48.45	4.249	-0.070	4.240	4.249	0.382	0.400	0.899	-0.070	-0.051
Rohn-D2	Rohn-DB81	79.75	0.000	-4.368	-4.368	-4.343	-0.486	-0.470	-0.999	-0.052	-0.037
Rohn-D2	Rohn-DB82	9.99	0.000	-0.547	-0.547	-0.529	-0.077	-0.060	-0.160	-0.062	-0.045
Rohn-D3	Rohn-DC1P	46.08	4.510	-0.124	4.488	4.510	0.337	0.369	0.922	-0.124	-0.091
Rohn-D3	Rohn-DC11	10.01	0.980	-0.114	0.951	0.980	-0.064	-0.034	0.142	-0.114	-0.083
Rohn-D3	Rohn-DC12	59.29	0.000	-5.346	-5.346	-5.305	-0.624	-0.595	-1.250	-0.106	-0.077
Rohn-D3	Rohn-DC2P	42.65	4.174	-0.124	4.153	4.174	0.340	0.372	0.847	-0.124	-0.091
Rohn-D3	Rohn-DC21	62.60	0.000	-5.645	-5.645	-5.603	-0.620	-0.591	-1.317	-0.106	-0.078
Rohn-D3	Rohn-DC22	6.29	0.616	-0.113	0.587	0.616	-0.061	-0.031	0.061	-0.113	-0.083
Rohn-D3	Rohn-DC3P	57.60	5.637	-0.017	5.637	5.630	0.482	0.487	1.244	-0.017	-0.011
Rohn-D3	Rohn-DC31	12.86	1.259	-0.011	1.257	1.259	0.009	0.012	0.272	-0.011	-0.008
Rohn-D3	Rohn-DC32	77.42	0.000	-6.556	-6.556	-6.540	-0.528	-0.526	-1.455	-0.001	0.000

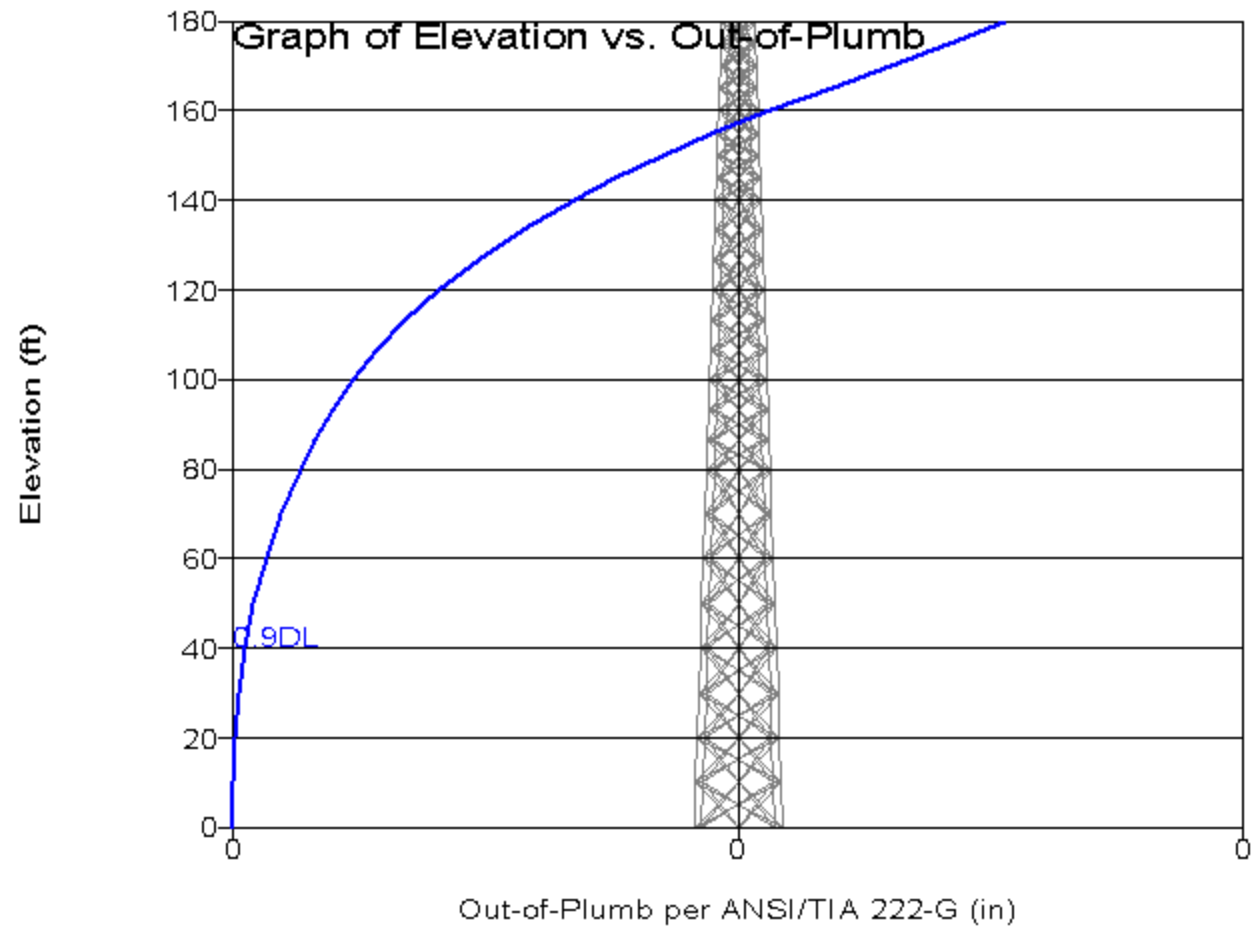
Connect Connect BaP	0.00	0.799	0.000	0.799	0.781	0.089	0.072	0.202	0.047	0.030
Connect Connect Ba1	0.00	0.059	-0.316	-0.297	-0.316	0.039	0.019	-0.033	0.059	0.039
Connect Connect Ba2	0.00	0.061	-0.364	-0.345	-0.364	0.038	0.018	-0.043	0.061	0.040
Connect Connect BbP	0.00	0.810	0.000	0.810	0.787	0.114	0.092	0.217	0.068	0.046
Connect Connect Bb1	0.00	0.085	-0.295	-0.269	-0.295	0.063	0.037	-0.011	0.085	0.059
Connect Connect Bb2	0.00	0.087	-0.286	-0.260	-0.286	0.066	0.039	-0.007	0.087	0.061
Connect Connect BcP	0.00	0.440	0.000	0.440	0.397	0.159	0.116	0.188	0.154	0.110
Connect Connect Bc1	0.00	0.165	-0.029	0.016	-0.029	0.162	0.116	0.102	0.165	0.119
Connect Connect Bc2	0.00	0.166	-0.033	0.013	-0.033	0.163	0.117	0.102	0.166	0.120
Connect Connect CP	0.00	0.636	0.000	0.636	0.568	0.275	0.206	0.293	0.253	0.185
Connect Connect C1	0.00	0.253	0.000	0.083	0.015	0.243	0.174	0.171	0.253	0.184
Connect Connect C2	0.00	0.254	0.000	0.114	0.046	0.245	0.176	0.178	0.254	0.185
Connect Connect CaP	0.01	1.555	0.000	1.555	1.514	0.192	0.153	0.426	0.137	0.099
Connect Connect Ca1	0.00	0.138	-0.663	-0.626	-0.663	0.109	0.070	-0.056	0.138	0.099
Connect Connect Ca2	0.00	0.135	-0.697	-0.661	-0.697	0.105	0.067	-0.065	0.135	0.097
Connect Connect CbP	0.00	0.614	0.000	0.614	0.534	0.257	0.176	0.317	0.304	0.224
Connect Connect Cb1	0.00	0.333	0.000	0.260	0.179	0.333	0.252	0.245	0.306	0.225
Connect Connect Cb2	0.00	0.329	0.000	0.225	0.145	0.329	0.249	0.235	0.304	0.223
Connect Connect DP	0.01	3.440	0.000	3.440	3.259	0.896	0.720	1.180	0.681	0.505
Connect Connect D1	0.00	0.672	-1.097	-0.928	-1.097	0.559	0.386	0.204	0.672	0.498
Connect Connect D2	0.00	0.673	-1.013	-0.843	-1.013	0.562	0.389	0.223	0.673	0.499
Connect Connect DaP	0.00	0.340	0.000	0.209	0.122	0.310	0.222	0.249	0.340	0.251
Connect Connect Da1	0.00	0.495	0.000	0.495	0.404	0.360	0.271	0.320	0.343	0.254
Connect Connect Da2	0.00	0.437	0.000	0.437	0.346	0.361	0.271	0.309	0.346	0.255
Connect Connect DbP	0.01	2.193	0.000	2.193	2.057	0.607	0.474	0.804	0.516	0.384
Connect Connect Db1	0.00	0.517	-0.478	-0.348	-0.478	0.471	0.339	0.238	0.517	0.384
Connect Connect Db2	0.00	0.521	-0.464	-0.333	-0.464	0.476	0.342	0.244	0.521	0.388
Connect Connect EP	0.02	5.296	0.000	5.296	5.081	1.187	0.977	1.682	0.820	0.611
Connect Connect E1	0.01	0.820	-1.681	-1.476	-1.681	0.637	0.428	0.182	0.820	0.611
Connect Connect E2	0.01	0.826	-1.688	-1.481	-1.688	0.642	0.432	0.184	0.826	0.615
Connect Connect EaP	0.00	0.495	-0.942	-0.818	-0.942	0.358	0.231	0.124	0.495	0.368
Connect Connect Ea1	0.00	1.137	0.000	1.137	1.007	0.570	0.441	0.559	0.501	0.373
Connect Connect Ea2	0.00	1.119	0.000	1.119	0.988	0.576	0.446	0.559	0.508	0.378
Connect Connect EbP	0.01	0.590	-1.735	-1.589	-1.735	0.399	0.249	0.011	0.590	0.440
Connect Connect Eb1	0.01	1.569	0.000	1.569	1.416	0.689	0.537	0.713	0.595	0.443
Connect Connect Eb2	0.01	1.743	0.000	1.743	1.588	0.697	0.544	0.755	0.601	0.448
Connect Connect FP	0.00	0.858	0.000	0.710	0.508	0.858	0.652	0.659	0.819	0.612
Connect Connect F1	0.00	0.815	0.000	0.793	0.585	0.795	0.589	0.689	0.815	0.610
Connect Connect F2	0.00	0.817	0.000	0.520	0.312	0.794	0.587	0.631	0.817	0.611
Connect Connect FaP	0.00	0.670	0.000	0.429	0.258	0.613	0.444	0.524	0.670	0.502
Connect Connect Fa1	0.00	0.698	0.000	0.603	0.435	0.698	0.530	0.542	0.672	0.503
Connect Connect Fa2	0.00	0.893	0.000	0.893	0.725	0.701	0.533	0.605	0.671	0.502
Connect Connect GP	0.02	4.349	0.000	4.349	4.174	0.973	0.795	1.405	0.712	0.534
Connect Connect G1	0.01	0.712	-1.362	-1.183	-1.362	0.582	0.403	0.197	0.712	0.533
Connect Connect G2	0.01	0.704	-1.636	-1.459	-1.636	0.572	0.395	0.132	0.704	0.528
Connect Connect GaP	0.00	0.583	-0.703	-0.553	-0.703	0.469	0.323	0.261	0.583	0.437
Connect Connect Ga1	0.00	1.024	0.000	1.024	0.879	0.642	0.495	0.581	0.586	0.439
Connect Connect Ga2	0.00	1.178	0.000	1.178	1.034	0.638	0.492	0.611	0.581	0.435
Connect Connect HP	0.01	2.239	0.000	2.239	2.078	0.810	0.642	0.910	0.674	0.506
Connect Connect H1	0.00	0.674	-0.450	-0.278	-0.450	0.605	0.437	0.382	0.674	0.506
Connect Connect H2	0.00	0.671	-0.496	-0.325	-0.496	0.602	0.434	0.370	0.671	0.503
Connect Connect HaP	0.01	0.654	-2.222	-2.055	-2.222	0.462	0.298	-0.030	0.654	0.490
Connect Connect Ha1	0.01	1.958	0.000	1.958	1.796	0.752	0.588	0.830	0.656	0.492
Connect Connect Ha2	0.01	1.965	0.000	1.965	1.804	0.749	0.586	0.830	0.653	0.490
Connect Connect IP	0.03	6.988	0.000	6.988	6.825	1.012	0.840	1.979	0.688	0.515
Connect Connect I1	0.01	0.689	-2.805	-2.628	-2.805	0.526	0.353	-0.137	0.689	0.516
Connect Connect I2	0.01	0.687	-2.814	-2.639	-2.814	0.524	0.351	-0.141	0.687	0.515
Connect Connect IaP	0.01	2.023	0.000	2.023	1.920	0.438	0.336	0.726	0.407	0.306
Connect Connect Ia1	0.00	0.410	-0.558	-0.457	-0.558	0.394	0.292	0.145	0.410	0.307
Connect Connect Ia2	0.00	0.408	-0.561	-0.460	-0.561	0.392	0.291	0.144	0.408	0.306
SNB-H1 SNB-H1aP	0.36	0.000	-0.467	-0.466	-0.467	-0.086	-0.088	-0.108	-0.009	-0.011
SNB-H1 SNB-H1bP	0.08	0.000	-0.108	-0.106	-0.108	-0.000	-0.003	-0.036	-0.009	-0.011
SNB-H1 SNB-H1cP	0.16	0.211	-0.009	0.211	0.207	0.048	0.045	0.039	-0.006	-0.009
SNB-H1 SNB-H1dP	0.16	0.212	-0.009	0.212	0.208	0.048	0.045	0.039	-0.006	-0.009
SNB-H1 SNB-H1eP	0.01	0.020	-0.008	0.020	0.017	0.006	0.003	-0.006	-0.005	-0.008
SNB-H1 SNB-H1fP	0.26	0.000	-0.343	-0.341	-0.343	-0.080	-0.083	-0.078	-0.005	-0.008
SNB-H1 SNB-H2aP	0.06	0.086	0.000	0.086	0.076	0.018	0.008	0.034	0.025	0.015
SNB-H1 SNB-H2bP	0.33	0.434	0.000	0.434	0.423	0.068	0.057	0.106	0.025	0.015
SNB-H1 SNB-H2cP	0.22	0.298	0.000	0.298	0.287	0.040	0.030	0.079	0.025	0.015

SNB-H1	SNB-H2dP	0.22	0.299	0.000	0.299	0.288	0.040	0.030	0.079	0.025	0.015
SNB-H1	SNB-H2eP	0.43	0.570	0.000	0.570	0.559	0.073	0.062	0.137	0.026	0.016
SNB-H1	SNB-H2fP	0.17	0.222	0.000	0.222	0.212	0.023	0.013	0.064	0.026	0.016
SNB-H1	SNB-H3aP	0.19	0.255	0.000	0.255	0.211	0.206	0.162	0.165	0.175	0.130
SNB-H1	SNB-H3bP	0.54	0.725	0.000	0.725	0.679	0.239	0.194	0.267	0.175	0.130
SNB-H1	SNB-H3cP	0.32	0.167	-0.393	-0.351	-0.393	0.075	0.032	0.026	0.167	0.124
SNB-H1	SNB-H3dP	0.32	0.167	-0.394	-0.351	-0.394	0.075	0.032	0.026	0.167	0.124
SNB-H1	SNB-H3eP	0.55	0.732	0.000	0.732	0.686	0.240	0.195	0.269	0.175	0.130
SNB-H1	SNB-H3fP	0.20	0.263	0.000	0.263	0.218	0.207	0.162	0.167	0.175	0.130
SNB-H1	SNB-H4aP	0.97	1.289	0.000	1.289	1.189	0.508	0.410	0.523	0.386	0.288
SNB-H1	SNB-H4bP	1.47	1.962	0.000	1.962	1.861	0.538	0.440	0.672	0.386	0.288
SNB-H1	SNB-H4cP	2.13	0.375	-2.550	-2.462	-2.550	0.091	-0.003	-0.316	0.375	0.280
SNB-H1	SNB-H4dP	2.13	0.375	-2.550	-2.461	-2.550	0.091	-0.003	-0.316	0.375	0.280
SNB-H1	SNB-H4eP	1.50	1.989	0.000	1.989	1.887	0.539	0.441	0.678	0.386	0.288
SNB-H1	SNB-H4fP	0.99	1.316	0.000	1.316	1.216	0.509	0.411	0.529	0.386	0.288
SNB-H2	SNB-H5aP	0.95	1.906	0.000	1.906	1.807	0.547	0.450	0.662	0.381	0.285
SNB-H2	SNB-H5bP	1.29	2.593	0.000	2.593	2.493	0.573	0.476	0.815	0.381	0.285
SNB-H2	SNB-H5cP	1.91	0.373	-3.539	-3.452	-3.539	0.016	-0.078	-0.529	0.373	0.279
SNB-H2	SNB-H5dP	1.91	0.373	-3.539	-3.452	-3.539	0.016	-0.078	-0.529	0.373	0.279
SNB-H2	SNB-H5eP	1.29	2.592	0.000	2.592	2.492	0.573	0.476	0.815	0.381	0.285
SNB-H2	SNB-H5fP	0.95	1.904	0.000	1.904	1.806	0.547	0.450	0.661	0.381	0.285
SNB-H2	SNB-H6aP	0.86	1.722	0.000	1.722	1.612	0.570	0.462	0.647	0.433	0.325
SNB-H2	SNB-H6bP	1.21	2.430	0.000	2.430	2.319	0.600	0.491	0.806	0.433	0.325
SNB-H2	SNB-H6cP	1.74	0.426	-3.128	-3.023	-3.128	0.122	0.015	-0.382	0.426	0.319
SNB-H2	SNB-H6dP	1.74	0.426	-3.128	-3.024	-3.128	0.122	0.015	-0.382	0.426	0.319
SNB-H2	SNB-H6eP	1.14	2.292	0.000	2.292	2.182	0.598	0.489	0.776	0.433	0.325
SNB-H2	SNB-H6fP	0.79	1.584	0.000	1.584	1.476	0.569	0.460	0.617	0.433	0.325
SNB-H2	SNB-H7aP	0.90	1.814	0.000	1.814	1.785	0.274	0.244	0.474	0.121	0.091
SNB-H2	SNB-H7bP	1.34	2.704	0.000	2.704	2.674	0.303	0.273	0.675	0.121	0.091
SNB-H2	SNB-H7cP	2.51	0.117	-4.390	-4.360	-4.390	-0.218	-0.247	-0.847	0.117	0.088
SNB-H2	SNB-H7dP	2.51	0.117	-4.391	-4.361	-4.391	-0.218	-0.247	-0.847	0.117	0.088
SNB-H2	SNB-H7eP	1.28	2.574	0.000	2.574	2.545	0.302	0.272	0.647	0.122	0.091
SNB-H2	SNB-H7fP	0.84	1.684	0.000	1.684	1.656	0.273	0.243	0.445	0.122	0.091
SNB-H2	SNB-H8aP	1.11	2.239	0.000	2.239	2.202	0.339	0.301	0.595	0.155	0.116
SNB-H2	SNB-H8bP	1.56	3.149	0.000	3.149	3.111	0.360	0.321	0.800	0.155	0.116
SNB-H2	SNB-H8cP	3.13	0.152	-5.290	-5.250	-5.290	-0.239	-0.278	-1.021	0.152	0.114
SNB-H2	SNB-H8dP	3.13	0.152	-5.290	-5.250	-5.290	-0.239	-0.278	-1.021	0.152	0.114
SNB-H2	SNB-H8eP	1.55	3.111	0.000	3.111	3.073	0.361	0.322	0.793	0.156	0.117
SNB-H2	SNB-H8fP	1.09	2.201	0.000	2.201	2.164	0.341	0.302	0.587	0.156	0.117
SNB-H2	SNB-H9aP	1.33	2.683	0.000	2.683	2.649	0.346	0.310	0.684	0.138	0.102
SNB-H2	SNB-H9bP	1.81	3.645	0.000	3.645	3.610	0.359	0.323	0.902	0.138	0.102
SNB-H2	SNB-H9cP	3.85	0.135	-6.280	-6.244	-6.280	-0.296	-0.331	-1.262	0.135	0.100
SNB-H2	SNB-H9dP	3.85	0.135	-6.280	-6.244	-6.280	-0.296	-0.331	-1.262	0.135	0.100
SNB-H2	SNB-H9eP	1.81	3.637	0.000	3.637	3.602	0.360	0.324	0.901	0.139	0.103
SNB-H2	SNB-H9fP	1.33	2.675	0.000	2.675	2.640	0.347	0.311	0.683	0.139	0.103
WLAC-1	SNB-WL-A1P	0.52	0.000	-0.130	-0.130	-0.130	-0.027	-0.027	-0.024	-0.000	-0.000
WLAC-1	SNB-WL-A2P	0.53	0.000	-0.132	-0.132	-0.132	-0.027	-0.027	-0.024	-0.000	-0.000
WLAC-1	SNB-WL-A3P	0.85	0.258	-0.000	0.258	0.258	0.054	0.054	0.046	-0.000	-0.000
WLAC-1	SNB-WL-B1P	0.56	0.000	-0.119	-0.119	-0.119	-0.016	-0.016	-0.023	0.000	0.000
WLAC-1	SNB-WL-B2P	0.56	0.000	-0.120	-0.120	-0.120	-0.016	-0.016	-0.023	0.000	0.000
WLAC-1	SNB-WL-B3P	0.81	0.245	0.000	0.245	0.245	0.032	0.032	0.048	0.000	0.000
WLAC-1	SNB-WL-C1P	0.91	0.001	-0.157	-0.157	-0.157	-0.010	-0.010	-0.033	0.001	0.001
WLAC-1	SNB-WL-C2P	0.91	0.001	-0.157	-0.157	-0.157	-0.010	-0.010	-0.033	0.001	0.001
WLAC-1	SNB-WL-C3P	1.04	0.318	0.000	0.318	0.317	0.022	0.022	0.068	0.001	0.001
WLAC-1	SNB-WL-D1P	1.64	0.002	-0.220	-0.220	-0.220	-0.008	-0.008	-0.047	0.002	0.001
WLAC-1	SNB-WL-D2P	1.64	0.002	-0.221	-0.220	-0.221	-0.008	-0.008	-0.047	0.002	0.001
WLAC-1	SNB-WL-D3P	1.46	0.443	0.000	0.443	0.442	0.021	0.020	0.098	0.001	0.001
WLAC-2	SNB-WL-E1P	0.97	0.002	-0.224	-0.224	-0.224	-0.006	-0.007	-0.048	0.002	0.001
WLAC-2	SNB-WL-E2P	0.97	0.002	-0.224	-0.224	-0.224	-0.006	-0.007	-0.048	0.002	0.001
WLAC-2	SNB-WL-E3P	0.96	0.452	0.000	0.452	0.451	0.018	0.018	0.101	0.002	0.001
WLAC-2	SNB-WL-F1P	1.25	0.002	-0.233	-0.233	-0.233	-0.008	-0.008	-0.051	0.002	0.001
WLAC-2	SNB-WL-F2P	1.25	0.002	-0.232	-0.232	-0.232	-0.008	-0.008	-0.051	0.002	0.001
WLAC-2	SNB-WL-F3P	0.99	0.466	0.000	0.466	0.465	0.020	0.020	0.105	0.002	0.001
WLAC-2	SNB-WL-G1P	2.00	0.000	-0.293	-0.293	-0.293	-0.009	-0.009	-0.066	0.000	0.000
WLAC-2	SNB-WL-G2P	2.00	0.000	-0.293	-0.293	-0.293	-0.009	-0.009	-0.066	0.000	0.000
WLAC-2	SNB-WL-G3P	1.24	0.585	0.000	0.585	0.584	0.019	0.019	0.133	0.000	0.000
WLAC-2	SNB-WL-H1P	2.51	0.000	-0.298	-0.298	-0.298	-0.006	-0.006	-0.067	0.000	0.000
WLAC-2	SNB-WL-H2P	2.51	0.000	-0.298	-0.298	-0.298	-0.006	-0.006	-0.067	0.000	0.000
WLAC-2	SNB-WL-H3P	1.26	0.595	0.000	0.595	0.594	0.013	0.013	0.135	0.000	0.000

WLAC-2	SNB-WL-I1P	3.19	0.000	-0.313	-0.313	-0.313	-0.004	-0.004	-0.071	0.000	0.000
WLAC-2	SNB-WL-I2P	3.19	0.000	-0.313	-0.313	-0.313	-0.004	-0.004	-0.071	0.000	0.000
WLAC-2	SNB-WL-I3P	1.32	0.625	0.000	0.625	0.625	0.008	0.008	0.142	0.000	0.000







Twist and Out-of-Plumb for "1: 1.2D + 1.0Dg + 1.6Wo":

Elevation (ft)	Twist (deg)	Sway (deg)	Out of Plumb (in)
0.00	0.00	0.00	0.00
10.00	-0.00	0.05	0.06
20.00	-0.00	0.11	0.33
30.00	-0.00	0.16	0.63
40.00	-0.00	0.25	1.18
50.00	-0.00	0.30	1.78
60.00	-0.00	0.37	2.59
70.00	-0.00	0.42	3.45
80.00	-0.00	0.50	4.53
86.66	-0.00	0.55	5.29
93.34	-0.00	0.59	6.12
100.00	-0.00	0.63	7.02
106.66	-0.00	0.68	7.95
113.34	0.00	0.74	8.99
120.00	0.00	0.77	10.07
126.66	0.00	0.81	11.20
133.34	0.00	0.84	12.39
140.00	0.01	0.86	13.57
145.00	0.01	0.88	14.50
150.00	0.01	0.90	15.45
155.00	0.01	0.89	16.38
160.00	0.01	0.91	17.33
165.00	0.02	0.90	18.28
170.00	0.02	0.91	19.23
175.00	0.01	0.91	20.19
180.00	0.01	0.91	21.14

Twist and Out-of-Plumb for "2: 0.9D + 1.0Dg + 1.6Wo":

Elevation (ft)	Twist (deg)	Sway (deg)	Out of Plumb (in)
0.00	0.00	0.00	0.00
10.00	-0.00	0.05	0.06
20.00	-0.00	0.11	0.33
30.00	-0.00	0.16	0.63
40.00	-0.00	0.25	1.18
50.00	-0.00	0.30	1.78
60.00	-0.00	0.37	2.59
70.00	-0.00	0.42	3.44
80.00	-0.00	0.50	4.52
86.66	-0.00	0.55	5.29
93.34	-0.00	0.59	6.11
100.00	-0.00	0.63	7.01
106.66	-0.00	0.68	7.93
113.34	0.00	0.74	8.98
120.00	0.00	0.77	10.05
126.66	0.00	0.81	11.18
133.34	0.00	0.84	12.36
140.00	0.01	0.85	13.55
145.00	0.01	0.88	14.47
150.00	0.01	0.90	15.42
155.00	0.01	0.89	16.35
160.00	0.01	0.91	17.30
165.00	0.02	0.90	18.24
170.00	0.02	0.91	19.20
175.00	0.01	0.91	20.15
180.00	0.01	0.91	21.09

Twist and Out-of-Plumb for "4: 1.2D + 1.0Dg + 1.0E":

Elevation (ft)	Twist (deg)	Sway (deg)	Out of Plumb (in)
0.00	0.00	0.00	0.00
10.00	-0.00	0.00	0.00
20.00	-0.00	0.01	0.02
30.00	-0.00	0.01	0.04
40.00	-0.00	0.02	0.08
50.00	-0.00	0.02	0.12
60.00	-0.00	0.03	0.17
70.00	-0.00	0.03	0.23
80.00	-0.00	0.04	0.31
86.66	-0.00	0.04	0.37
93.34	-0.00	0.04	0.43
100.00	-0.00	0.05	0.49
106.66	-0.00	0.05	0.56
113.34	-0.00	0.06	0.64
120.00	-0.00	0.06	0.73
126.66	-0.00	0.07	0.82
133.34	-0.00	0.07	0.92
140.00	-0.00	0.07	1.01
145.00	-0.00	0.07	1.09
150.00	-0.00	0.08	1.17
155.00	-0.00	0.08	1.25
160.00	-0.00	0.08	1.34
165.00	-0.00	0.08	1.42
170.00	-0.00	0.08	1.51
175.00	-0.00	0.08	1.59
180.00	-0.00	0.08	1.67

Twist and Out-of-Plumb for "5: 0.9D + 1.0Dg + 1.0E":

Elevation (ft)	Twist (deg)	Sway (deg)	Out of Plumb (in)
0.00	0.00	0.00	0.00
10.00	-0.00	0.00	0.00
20.00	-0.00	0.01	0.02
30.00	-0.00	0.01	0.04
40.00	-0.00	0.02	0.08
50.00	-0.00	0.02	0.12
60.00	-0.00	0.03	0.17
70.00	-0.00	0.03	0.23
80.00	-0.00	0.04	0.31
86.66	-0.00	0.04	0.36
93.34	-0.00	0.04	0.43
100.00	-0.00	0.05	0.49
106.66	-0.00	0.05	0.56
113.34	-0.00	0.06	0.64
120.00	-0.00	0.06	0.73
126.66	-0.00	0.06	0.82
133.34	-0.00	0.07	0.91
140.00	-0.00	0.07	1.01
145.00	-0.00	0.07	1.09
150.00	-0.00	0.08	1.17
155.00	-0.00	0.08	1.25
160.00	-0.00	0.08	1.33
165.00	-0.00	0.08	1.41
170.00	-0.00	0.08	1.50
175.00	-0.00	0.08	1.58
180.00	-0.00	0.08	1.67

Twist and Out-of-Plumb for "6: Service 1.0D + 1.0Dg + 1.0 Wo":

Elevation (ft)	Twist (deg)	Sway (deg)	Out of Plumb (in)
0.00	0.00	0.00	0.00
10.00	-0.00	0.01	0.01
20.00	-0.00	0.03	0.07
30.00	-0.00	0.04	0.14
40.00	-0.00	0.06	0.26
50.00	-0.00	0.07	0.40
60.00	-0.00	0.08	0.58
70.00	-0.00	0.09	0.77
80.00	-0.00	0.11	1.01
86.66	-0.00	0.12	1.18
93.34	-0.00	0.13	1.37
100.00	-0.00	0.14	1.57
106.66	-0.00	0.15	1.77
113.34	0.00	0.16	2.01
120.00	0.00	0.17	2.25
126.66	0.00	0.18	2.50
133.34	0.00	0.19	2.76
140.00	0.00	0.19	3.03
145.00	0.00	0.20	3.24
150.00	0.00	0.20	3.45
155.00	0.00	0.20	3.66
160.00	0.00	0.20	3.87
165.00	0.00	0.20	4.08
170.00	0.00	0.20	4.29
175.00	0.00	0.20	4.51
180.00	0.00	0.20	4.72

Twist and Out-of-Plumb for "1.2*DL":

Elevation (ft)	Twist (deg)	Sway (deg)	Out of Plumb (in)
0.00	0.00	0.00	0.00
10.00	-0.00	0.00	0.00
20.00	-0.00	-0.00	0.00
30.00	-0.00	0.00	0.00
40.00	-0.00	-0.00	0.00
50.00	-0.00	0.00	0.00
60.00	-0.00	-0.00	0.00
70.00	0.00	0.00	0.00
80.00	0.00	-0.00	0.00
86.66	0.00	0.00	0.00
93.34	0.00	0.00	0.00
100.00	0.00	0.00	0.00
106.66	0.00	0.00	0.00
113.34	0.00	0.00	0.00
120.00	0.00	0.00	0.01
126.66	0.00	0.00	0.01
133.34	0.00	0.00	0.01
140.00	0.00	0.00	0.01
145.00	0.00	0.00	0.01
150.00	0.00	0.00	0.01
155.00	0.00	0.00	0.01
160.00	0.00	0.00	0.01
165.00	0.00	0.00	0.02
170.00	0.00	0.00	0.02
175.00	0.00	0.00	0.02
180.00	-0.00	0.00	0.02

Twist and Out-of-Plumb for "0.9DL":

Elevation (ft)	Twist (deg)	Sway (deg)	Out of Plumb (in)
0.00	0.00	0.00	0.00
10.00	-0.00	0.00	0.00
20.00	-0.00	-0.00	0.00
30.00	-0.00	0.00	0.00
40.00	-0.00	-0.00	0.00
50.00	-0.00	0.00	0.00
60.00	-0.00	-0.00	0.00
70.00	0.00	0.00	0.00
80.00	0.00	-0.00	0.00
86.66	0.00	0.00	0.00
93.34	0.00	0.00	0.00
100.00	0.00	0.00	0.00
106.66	0.00	0.00	0.00
113.34	0.00	0.00	0.00
120.00	0.00	0.00	0.00
126.66	0.00	0.00	0.00
133.34	0.00	0.00	0.01
140.00	0.00	0.00	0.01
145.00	0.00	0.00	0.01
150.00	0.00	0.00	0.01
155.00	0.00	0.00	0.01
160.00	0.00	0.00	0.01
165.00	0.00	0.00	0.01
170.00	0.00	0.00	0.01
175.00	0.00	0.00	0.01
180.00	-0.00	0.00	0.02

Equilibrium Joint Positions and Rotations for Load Case "1: 1.2D + 1.0Dg + 1.6Wo":

Joint Label	X-Displ (ft)	Y-Displ (ft)	Z-Displ (ft)	X-Rot (deg)	Y-Rot (deg)	Z-Rot (deg)	X-Pos (ft)	Y-Pos (ft)	Z-Pos (ft)
RohnAP	1.76	-0.0008174	-0.08818	0.0062	0.9062	0.0112	6.093	-0.0008174	179.9
RohnBP	1.443	-1.386e-005	-0.0967	-0.0012	0.9042	0.0110	6.564	-1.386e-005	159.9
RohnCP	1.131	-0.0002756	-0.1012	-0.0007	0.8713	0.0073	7.04	-0.0002756	139.9
RohnDP	0.8392	-0.0003763	-0.1003	-0.0002	0.7904	0.0048	7.534	-0.0003763	119.9
RohnEP	0.5845	-0.000523	-0.08979	-0.0005	0.6511	0.0032	8.066	-0.000523	99.91
RohnFP	0.378	-0.0006876	-0.07781	-0.0004	0.5158	0.0021	8.646	-0.0006876	79.92
RohnGP	0.2163	-0.0006235	-0.06252	0.0006	0.3919	0.0015	9.271	-0.0006235	59.94
RohnHP	0.09923	-0.0004123	-0.04494	0.0010	0.2685	0.0009	9.94	-0.0004123	39.96
RohnIP	0.02797	-0.0002049	-0.02207	0.0006	0.1219	0.0003	10.66	-0.0002049	19.98
RohnJP	0	0	0	0.0000	0.0000	0.0000	11.42	0	0
SNB-AP	1.761	-0.001686	-0.05231	0.0020	0.9012	-0.0000	4.094	-0.001686	179.9
SNB-BP	1.444	-0.001284	-0.06158	0.0009	0.8974	-0.0000	4.565	-0.001284	159.9
SNB-CP	1.131	-0.0009115	-0.06863	0.0009	0.8642	0.0000	5.039	-0.0009115	139.9
SNB-DP	0.8394	-0.0006028	-0.07095	0.0008	0.7790	-0.0000	5.534	-0.0006028	119.9
SNB-EP	0.5847	-0.0003821	-0.06524	0.0006	0.6358	-0.0000	6.066	-0.0003821	99.93
SNB-FP	0.3781	-0.0002342	-0.06031	0.0004	0.5149	0.0000	6.646	-0.0002342	79.94
SNB-GP	0.2164	-0.0001288	-0.04975	0.0002	0.3726	0.0000	7.271	-0.0001288	59.95
SNB-HP	0.09925	-5.514e-005	-0.03684	0.0002	0.2588	0.0000	7.94	-5.514e-005	39.96
SNB-IP	0.02797	-1.448e-005	-0.01864	0.0001	0.1176	0.0000	8.656	-1.448e-005	19.98
SNB-JP	0	0	0	0.0000	0.0000	0.0000	9.415	0	0
RohnA1	1.762	-0.002143	0.01387	0.0009	0.9091	0.0044	-0.4044	-3.755	180
RohnA2	1.761	-0.002054	0.01402	0.0007	0.9081	0.0178	-0.4059	3.75	180
RohnB1	1.446	-0.001979	0.02214	0.0060	0.9108	0.0000	-1.115	-4.437	160
RohnB2	1.443	-0.00193	0.02235	-0.0015	0.9089	0.0222	-1.117	4.433	160
RohnC1	1.132	-0.0009304	0.02883	-0.0016	0.8655	-0.0089	-1.823	-5.118	140
RohnC2	1.131	-0.001544	0.02901	0.0061	0.8620	0.0234	-1.824	5.116	140
RohnD1	0.8393	-0.000197	0.03284	-0.0021	0.7863	-0.0132	-2.508	-5.798	120
RohnD2	0.8388	-0.001298	0.033	0.0053	0.7838	0.0228	-2.509	5.797	120
RohnE1	0.5848	-0.0001561	0.0321	-0.0002	0.6503	-0.0131	-3.156	-6.479	100
RohnE2	0.585	-0.0004637	0.03221	0.0027	0.6479	0.0195	-3.155	6.478	100
RohnF1	0.3771	0.0005297	0.02953	0.0107	0.5383	-0.0128	-3.757	-7.16	80.03
RohnF2	0.3782	-0.0004219	0.0296	-0.0093	0.5372	0.0170	-3.756	7.16	80.03
RohnG1	0.2157	0.0003675	0.02468	0.0032	0.3982	-0.0097	-4.312	-7.841	60.02
RohnG2	0.2168	-8.469e-006	0.02472	-0.0029	0.3984	0.0126	-4.311	7.842	60.02
RohnH1	0.09855	0.0004185	0.01822	0.0031	0.2748	-0.0072	-4.822	-8.522	40.02
RohnH2	0.09918	-0.0001655	0.01826	-0.0033	0.2756	0.0089	-4.821	8.522	40.02
RohnI1	0.02765	0.000187	0.009073	0.0057	0.1350	-0.0041	-5.287	-9.206	20.01
RohnI2	0.02798	-2.594e-005	0.009091	-0.0061	0.1357	0.0046	-5.287	9.206	20.01
RohnJ1	0	0	0	0.0000	0.0000	0.0000	-5.71	-9.89	0
RohnJ2	0	0	0	0.0000	0.0000	0.0000	-5.71	9.89	0
SNB-A1	1.761	-0.001692	0.0031	-0.0043	0.9130	-0.0018	0.5947	-2.022	180
SNB-A2	1.761	-0.001685	0.003181	0.0063	0.9124	0.0020	0.5947	2.019	180
SNB-B1	1.444	-0.001293	0.01166	-0.0008	0.9064	-0.0021	-0.1162	-2.704	160
SNB-B2	1.444	-0.00128	0.01176	0.0031	0.9066	0.0023	-0.1162	2.702	160
SNB-C1	1.132	-0.0009054	0.01915	-0.0013	0.8741	-0.0030	-0.8222	-3.385	140
SNB-C2	1.132	-0.0009254	0.01926	0.0033	0.8742	0.0030	-0.8222	3.384	140
SNB-D1	0.8398	-0.0005201	0.02404	-0.0038	0.7948	-0.0050	-1.508	-4.067	120
SNB-D2	0.8398	-0.0006885	0.02415	0.0053	0.7947	0.0051	-1.508	4.065	120
SNB-E1	0.585	-0.000291	0.02451	-0.0020	0.6459	-0.0041	-2.156	-4.747	100
SNB-E2	0.585	-0.0004731	0.02459	0.0030	0.6458	0.0040	-2.156	4.746	100
SNB-F1	0.3783	-0.0001459	0.02431	0.0026	0.5417	-0.0039	-2.756	-5.428	80.02
SNB-F2	0.3783	-0.0003284	0.02437	-0.0019	0.5417	0.0038	-2.756	5.428	80.02
SNB-G1	0.2163	1.655e-005	0.0209	0.0006	0.4029	-0.0047	-3.311	-6.11	60.02
SNB-G2	0.2164	-0.0002802	0.02095	-0.0001	0.4029	0.0046	-3.311	6.11	60.02
SNB-H1	0.09902	0.0001436	0.0159	-0.0046	0.2766	-0.0046	-3.821	-6.79	40.02
SNB-H2	0.09903	-0.0002544	0.01594	0.0049	0.2766	0.0045	-3.821	6.79	40.02
SNB-I1	0.02755	0.0002465	0.008161	0.0014	0.1410	-0.0042	-4.286	-7.472	20.01
SNB-I2	0.02755	-0.0002749	0.00818	-0.0012	0.1410	0.0042	-4.286	7.472	20.01
SNB-J1	0	0	0	0.0000	0.0000	0.0000	-4.708	-8.154	0
SNB-J2	0	0	0	0.0000	0.0000	0.0000	-4.708	8.154	0

RohnAaS	1.681	-0.0003848	-0.09059	0.0014	0.9106	0.0111	6.211	-0.0003848	174.9
RohnAbS	1.602	-0.0003518	-0.09285	0.0027	0.9090	0.0111	6.329	-0.0003518	169.9
RohnAcS	1.523	7.629e-005	-0.09489	0.0021	0.9065	0.0111	6.447	7.629e-005	164.9
RohnBaS	1.365	-2.473e-005	-0.09833	-0.0003	0.9028	0.0101	6.683	-2.473e-005	154.9
RohnBbS	1.286	-0.0001092	-0.09969	-0.0010	0.8963	0.0091	6.801	-0.0001092	149.9
RohnBcS	1.208	-0.0001835	-0.1006	-0.0010	0.8895	0.0082	6.92	-0.0001835	144.9
RohnCaS	1.031	-0.0003015	-0.1017	-0.0001	0.8464	0.0064	7.202	-0.0003015	133.2
RohnCbS	0.9335	-0.0003332	-0.1015	-0.0004	0.8263	0.0056	7.367	-0.0003332	126.6
RohnDaS	0.7494	-0.0003921	-0.09795	-0.0004	0.7482	0.0043	7.706	-0.0003921	113.2
RohnDbS	0.6645	-0.0004614	-0.09441	-0.0007	0.7099	0.0038	7.884	-0.0004614	106.6
RohnEaS	0.5118	-0.000593	-0.08649	-0.0010	0.6038	0.0028	8.255	-0.000593	93.25
RohnEbS	0.4427	-0.0007022	-0.08249	-0.0003	0.5795	0.0025	8.449	-0.0007022	86.58
RohnFaS	0.2934	-0.000778	-0.07088	0.0002	0.4651	0.0018	8.955	-0.000778	69.93
RohnGaS	0.1544	-0.0005827	-0.0543	0.0005	0.3350	0.0012	9.602	-0.0005827	49.95
RohnHaS	0.05973	-0.0002961	-0.0341	0.0005	0.2047	0.0006	10.3	-0.0002961	29.97
RohnIaS	0.01067	-9.419e-005	-0.01145	0.0007	0.0858	0.0002	11.04	-9.419e-005	9.989
SNB-AaS	1.682	-0.001542	-0.05477	0.0005	0.9121	-0.0000	4.212	-0.001542	174.9
SNB-AbS	1.602	-0.001542	-0.05717	0.0012	0.9082	-0.0000	4.329	-0.001542	169.9
SNB-AcS	1.523	-0.00134	-0.05945	0.0017	0.9086	-0.0000	4.447	-0.00134	164.9
SNB-BaS	1.365	-0.001183	-0.06366	0.0012	0.9050	0.0000	4.683	-0.001183	154.9
SNB-BbS	1.286	-0.001094	-0.06556	0.0010	0.8956	0.0000	4.801	-0.001094	149.9
SNB-BcS	1.208	-0.0009975	-0.06721	0.0011	0.8920	0.0000	4.92	-0.0009975	144.9
SNB-CaS	1.031	-0.000801	-0.07003	0.0009	0.8478	0.0000	5.201	-0.000801	133.3
SNB-CbS	0.9338	-0.0006961	-0.07079	0.0008	0.8293	0.0000	5.367	-0.0006961	126.6
SNB-DaS	0.7496	-0.000514	-0.07002	0.0007	0.7508	-0.0000	5.706	-0.000514	113.3
SNB-DbS	0.6647	-0.0004464	-0.06806	0.0005	0.7139	-0.0000	5.884	-0.0004464	106.6
SNB-EaS	0.512	-0.0003199	-0.06425	0.0004	0.6087	0.0000	6.255	-0.0003199	93.28
SNB-EbS	0.4428	-0.0002812	-0.06256	0.0004	0.5797	0.0000	6.449	-0.0002812	86.6
SNB-FaS	0.2934	-0.00018	-0.05565	0.0003	0.4709	0.0000	6.955	-0.00018	69.94
SNB-GaS	0.1544	-9.034e-005	-0.04388	0.0002	0.3429	0.0000	7.602	-9.034e-005	49.96
SNB-HaS	0.05974	-2.884e-005	-0.02833	0.0001	0.2089	0.0000	8.294	-2.884e-005	29.97
SNB-IaS	0.01067	-1.725e-006	-0.009856	0.0000	0.0874	0.0000	9.032	-1.725e-006	9.99
SNB-WL-A1S	1.761	-0.001696	-0.02479	-0.0011	0.9068	-0.0039	2.344	-1.012	180
SNB-WL-A2S	1.761	-0.001688	0.00298	0.0008	0.9127	0.0001	0.5947	-0.001688	180
SNB-WL-A3S	1.761	-0.001677	-0.02474	0.0042	0.9068	0.0039	2.344	1.009	180
SNB-WL-B1S	1.444	-0.001296	-0.02522	0.0031	0.8965	-0.0040	2.224	-1.353	160
SNB-WL-B2S	1.444	-0.001286	0.01151	0.0012	0.9065	0.0001	-0.1162	-0.001286	160
SNB-WL-B3S	1.444	-0.001271	-0.02517	-0.0012	0.8965	0.0041	2.224	1.35	160
SNB-WL-C1S	1.132	-0.000933	-0.02524	0.0068	0.8570	-0.0038	2.109	-1.693	140
SNB-WL-C2S	1.132	-0.0009154	0.01878	0.0010	0.8741	0.0000	-0.8221	-0.0009154	140
SNB-WL-C3S	1.132	-0.0008936	-0.02518	-0.0049	0.8570	0.0039	2.109	1.691	140
SNB-WL-D1S	0.8397	-0.0006361	-0.02456	0.0079	0.7706	-0.0039	2.013	-2.034	120
SNB-WL-D2S	0.84	-0.0006042	0.0231	0.0008	0.7948	0.0000	-1.507	-0.0006042	120
SNB-WL-D3S	0.8397	-0.00057	-0.02451	-0.0063	0.7706	0.0039	2.013	2.032	120
SNB-WL-E1S	0.5849	-0.0004074	-0.02115	0.0094	0.6234	-0.0029	1.955	-2.374	99.98
SNB-WL-E2S	0.5852	-0.000382	0.02387	0.0005	0.6459	0.0000	-2.155	-0.000382	100
SNB-WL-E3S	0.5849	-0.0003568	-0.0211	-0.0083	0.6234	0.0029	1.955	2.373	99.98
SNB-WL-F1S	0.3782	-0.0002675	-0.0197	0.0088	0.5156	-0.0020	1.945	-2.714	79.98
SNB-WL-F2S	0.3785	-0.0002371	0.02326	0.0004	0.5417	-0.0000	-2.756	-0.0002371	80.02
SNB-WL-F3S	0.3782	-0.0002078	-0.01967	-0.0081	0.5156	0.0020	1.945	2.714	79.98
SNB-WL-G1S	0.2164	-0.0001746	-0.01739	0.0035	0.3824	-0.0015	1.98	-3.055	59.98
SNB-WL-G2S	0.2166	-0.0001318	0.01866	0.0002	0.4029	-0.0000	-3.311	-0.0001318	60.02
SNB-WL-G3S	0.2164	-9.029e-005	-0.01736	-0.0030	0.3824	0.0015	1.98	3.055	59.98
SNB-WL-H1S	0.09922	-0.0001037	-0.01447	0.0056	0.2543	-0.0014	2.059	-3.395	39.99
SNB-WL-H2S	0.09937	-5.539e-005	0.01212	0.0002	0.2766	-0.0000	-3.821	-5.539e-005	40.01
SNB-WL-H3S	0.09922	-8.275e-006	-0.01445	-0.0052	0.2543	0.0014	2.059	3.395	39.99
SNB-WL-I1S	0.02788	-6.967e-005	-0.01079	0.0073	0.1178	-0.0016	2.185	-3.736	19.99
SNB-WL-I2S	0.02799	-1.417e-005	0.003249	0.0001	0.1410	-0.0000	-4.286	-1.417e-005	20
SNB-WL-I3S	0.02788	4.07e-005	-0.01078	-0.0072	0.1178	0.0016	2.185	3.736	19.99
RohnAa1	1.683	-0.002209	0.01605	-0.0016	0.9022	0.0037	-0.5821	-3.925	175
RohnAa2	1.681	-0.002018	0.01621	-0.0003	0.9119	0.0190	-0.5838	3.921	175
RohnAb1	1.604	-0.002341	0.01816	0.0030	0.9118	0.0021	-0.7593	-4.096	170
RohnAb2	1.601	-0.002131	0.01836	-0.0018	0.9143	0.0202	-0.762	4.092	170
RohnAc1	1.524	-0.001973	0.02021	0.0019	0.9084	0.0013	-0.9378	-4.266	165
RohnAc2	1.522	-0.002171	0.02041	0.0027	0.9037	0.0208	-0.94	4.262	165
RohnBa1	1.366	-0.001531	0.02404	-0.0007	0.8984	-0.0020	-1.293	-4.607	155
RohnBa2	1.364	-0.002005	0.02424	0.0065	0.8935	0.0222	-1.295	4.604	155
RohnBb1	1.288	-0.001995	0.02578	0.0025	0.8976	-0.0048	-1.469	-4.778	150
RohnBb2	1.287	-0.00118	0.02598	0.0026	0.8940	0.0231	-1.471	4.775	150

RohnBc1	1.209	-0.001129	0.02743	0.0102	0.9040	-0.0080	-1.647	-4.948	145
RohnBc2	1.208	-0.001692	0.02762	-0.0050	0.8999	0.0243	-1.648	4.945	145
RohnCa1	1.032	-0.00115	0.03053	0.0013	0.8496	-0.0108	-2.053	-5.345	133.4
RohnCa2	1.032	-0.0009345	0.0307	0.0025	0.8468	0.0237	-2.054	5.343	133.4
RohnCb1	0.934	-0.0006412	0.03192	0.0071	0.8346	-0.0128	-2.283	-5.572	126.7
RohnCb2	0.9334	-0.001121	0.03208	-0.0041	0.8333	0.0241	-2.283	5.57	126.7
RohnDa1	0.7496	-0.0004217	0.03318	0.0066	0.7619	-0.0141	-2.729	-6.025	113.4
RohnDa2	0.7494	-0.0007376	0.03333	-0.0035	0.7591	0.0226	-2.729	6.024	113.4
RohnDb1	0.6629	0.0006647	0.03298	0.0011	0.7074	-0.0136	-2.947	-6.251	106.7
RohnDb2	0.6629	-0.001545	0.03311	0.0015	0.7055	0.0211	-2.947	6.251	106.7
RohnEa1	0.5105	0.0006174	0.03164	0.0075	0.6182	-0.0133	-3.361	-6.705	93.37
RohnEa2	0.511	-0.0009935	0.03174	-0.0053	0.6164	0.0190	-3.361	6.705	93.37
RohnEb1	0.4413	0.0007236	0.03078	-0.0042	0.5686	-0.0123	-3.562	-6.933	86.69
RohnEb2	0.442	-0.000868	0.03087	0.0067	0.5656	0.0172	-3.561	6.932	86.69
RohnFa1	0.2881	0.00255	0.02754	-0.0032	0.4580	-0.0107	-4.043	-7.499	70.03
RohnFa2	0.289	-0.002343	0.0276	0.0040	0.4578	0.0142	-4.042	7.499	70.03
RohnGa1	0.1491	0.002565	0.02178	-0.0003	0.3341	-0.0083	-4.575	-8.18	50.02
RohnGa2	0.1499	-0.002272	0.02183	-0.0001	0.3356	0.0107	-4.574	8.18	50.02
RohnHa1	0.05375	0.002887	0.01398	-0.0018	0.2009	-0.0054	-5.064	-8.861	30.01
RohnHa2	0.05421	-0.002682	0.01401	0.0016	0.2018	0.0065	-5.064	8.862	30.01
RohnIa1	0.006279	0.002036	0.004752	-0.0009	0.0840	-0.0026	-5.506	-9.546	10
RohnIa2	0.006441	-0.001953	0.004762	0.0003	0.0852	0.0029	-5.506	9.546	10
SNB-Aa1	1.682	-0.001594	0.005301	0.0029	0.9074	-0.0020	0.4168	-2.193	175
SNB-Aa2	1.682	-0.001608	0.005385	-0.0003	0.9082	0.0022	0.4169	2.189	175
SNB-Ab1	1.603	-0.001468	0.007468	0.0015	0.9112	-0.0022	0.2391	-2.363	170
SNB-Ab2	1.603	-0.001479	0.007566	0.0009	0.9112	0.0024	0.239	2.36	170
SNB-Ac1	1.523	-0.001326	0.009601	0.0017	0.9068	-0.0021	0.06107	-2.534	165
SNB-Ac2	1.523	-0.00147	0.009699	0.0004	0.9060	0.0023	0.06112	2.531	165
SNB-Ba1	1.365	-0.001099	0.0137	0.0028	0.9040	-0.0027	-0.2937	-2.874	155
SNB-Ba2	1.365	-0.001289	0.01381	-0.0007	0.9039	0.0028	-0.2937	2.872	155
SNB-Bb1	1.287	-0.0009953	0.01564	0.0019	0.8986	-0.0029	-0.4706	-3.045	150
SNB-Bb2	1.287	-0.001199	0.01575	0.0003	0.8986	0.0031	-0.4706	3.042	150
SNB-Bc1	1.209	-0.0008271	0.01747	0.0012	0.8875	-0.0030	-0.6471	-3.215	145
SNB-Bc2	1.209	-0.001182	0.01758	0.0009	0.8875	0.0031	-0.6471	3.213	145
SNB-Ca1	1.031	-0.0002847	0.02114	0.0066	0.8576	-0.0043	-1.054	-3.612	133.4
SNB-Ca2	1.031	-0.001332	0.02125	-0.0048	0.8575	0.0044	-1.054	3.61	133.4
SNB-Cb1	0.933	-0.000119	0.02279	-0.0013	0.8177	-0.0043	-1.283	-3.839	126.7
SNB-Cb2	0.933	-0.001289	0.0229	0.0031	0.8178	0.0043	-1.283	3.838	126.7
SNB-Da1	0.7486	0.0001678	0.02478	0.0112	0.7670	-0.0059	-1.73	-4.292	113.4
SNB-Da2	0.7486	-0.001216	0.02488	-0.0099	0.7669	0.0060	-1.73	4.291	113.4
SNB-Db1	0.6627	0.0007688	0.02493	-0.0041	0.6998	-0.0045	-1.947	-4.519	106.7
SNB-Db2	0.6627	-0.001663	0.02502	0.0053	0.6998	0.0045	-1.947	4.518	106.7
SNB-Ea1	0.511	0.0002826	0.02483	0.0069	0.6191	-0.0045	-2.36	-4.973	93.36
SNB-Ea2	0.5111	-0.0009336	0.02491	-0.0059	0.6192	0.0045	-2.36	4.973	93.36
SNB-Eb1	0.4418	0.0004217	0.02475	-0.0042	0.5644	-0.0034	-2.561	-5.201	86.68
SNB-Eb2	0.4418	-0.0009682	0.02482	0.0049	0.5644	0.0033	-2.561	5.2	86.68
SNB-Fa1	0.288	0.002618	0.02301	0.0010	0.4589	-0.0039	-3.043	-5.766	70.02
SNB-Fa2	0.288	-0.002956	0.02307	-0.0004	0.4589	0.0038	-3.043	5.766	70.02
SNB-Ga1	0.1494	0.002383	0.01875	0.0026	0.3333	-0.0046	-3.575	-6.448	50.02
SNB-Ga2	0.1494	-0.002554	0.0188	-0.0021	0.3334	0.0045	-3.575	6.448	50.02
SNB-Ha1	0.05429	0.00257	0.01237	0.0025	0.2017	-0.0043	-4.063	-7.129	30.01
SNB-Ha2	0.0543	-0.002632	0.0124	-0.0022	0.2017	0.0043	-4.063	7.129	30.01
SNB-Ia1	0.005833	0.002293	0.004365	-0.0002	0.0822	-0.0025	-4.505	-7.811	10
SNB-Ia2	0.005837	-0.002302	0.004375	0.0003	0.0822	0.0025	-4.505	7.811	10

Joint Support Reactions for Load Case "1: 1.2D + 1.0Dg + 1.6Wo":

Joint Label	X Force (kips)	X Usage %	Y Force (kips)	Y Usage %	Z Force (kips)	Z Usage %	Uplift Usage %	Result. Force (kips)	Result. Usage %	X Moment (ft-k)	X-M. Usage %	Y Moment (ft-k)	Y-M. Usage %	Z Moment (ft-k)	Z-M. Usage %	Max. Usage %
RohnJP	-28.86	0.0	0.10	0.0	347.98	0.0	0.0	349.17	0.0	-0.05	0.0	-5.4	0.0	-0.01	0.0	0.0
SNB-JP	-49.71	0.0	0.00	0.0	500.22	0.0	0.0	502.69	0.0	0.00	0.0	-13.1	0.0	0.00	0.0	0.0
RohnJ1	-9.19	0.0	-9.74	0.0	-144.29	0.0	0.0	144.91	0.0	1.86	0.0	-1.4	0.0	0.00	0.0	0.0
RohnJ2	-9.38	0.0	9.66	0.0	-144.59	0.0	0.0	145.22	0.0	-1.81	0.0	-1.5	0.0	-0.01	0.0	0.0
SNB-J1	-16.94	0.0	-18.22	0.0	-222.16	0.0	0.0	223.55	0.0	5.30	0.0	-2.6	0.0	-0.04	0.0	0.0
SNB-J2	-16.96	0.0	18.25	0.0	-222.63	0.0	0.0	224.02	0.0	-5.31	0.0	-2.6	0.0	0.04	0.0	0.0

Joint Displacements, Loads and Member Forces on Joints for Load Case "1: 1.2D + 1.0Dg + 1.6Wo":

Joint Label	X External Load (kips)	Y External Load (kips)	Z External Load (kips)	X Member Force (kips)	Y Member Force (kips)	Z Member Force (kips)	X Disp. (ft)	Y Disp. (ft)	Z Disp. (ft)
RohnAP	0.6446	0.0000	-0.3543	-0.6446	-0.0000	0.3543	1.7604	-0.0008	-0.0882
RohnBP	3.0288	0.0000	-1.2721	-3.0288	-0.0000	1.2721	1.4434	-0.0000	-0.0967
RohnCP	0.6543	0.0000	-0.5121	-0.6543	0.0000	0.5121	1.1309	-0.0003	-0.1012
RohnDP	0.7898	0.0000	-0.6208	-0.7898	0.0000	0.6208	0.8392	-0.0004	-0.1003
RohnEP	0.8106	0.0000	-0.7694	-0.8106	0.0000	0.7694	0.5845	-0.0005	-0.0898
RohnFP	0.9277	0.0000	-1.0436	-0.9277	-0.0000	1.0436	0.3780	-0.0007	-0.0778
RohnGP	1.2867	0.0000	-1.3901	-1.2867	-0.0000	1.3901	0.2163	-0.0006	-0.0625
RohnHP	1.1001	0.0000	-1.3837	-1.1001	-0.0000	1.3837	0.0992	-0.0004	-0.0449
RohnIP	1.4048	0.0000	-1.5524	-1.4048	-0.0000	1.5524	0.0280	-0.0002	-0.0221
RohnJP	0.8374	0.0000	-0.8390	28.0213	-0.0984	-347.1394	0.0000	0.0000	0.0000
SNB-AP	0.1882	0.0000	-0.1863	-0.1882	0.0000	0.1863	1.7608	-0.0017	-0.0523
SNB-BP	0.4529	0.0000	-0.4033	-0.4529	0.0000	0.4033	1.4437	-0.0013	-0.0616
SNB-CP	0.6543	0.0000	-0.5121	-0.6543	0.0000	0.5121	1.1312	-0.0009	-0.0686
SNB-DP	0.7898	0.0000	-0.6208	-0.7898	0.0000	0.6208	0.8394	-0.0006	-0.0710
SNB-EP	0.8106	0.0000	-0.7694	-0.8106	0.0000	0.7694	0.5847	-0.0004	-0.0652
SNB-FP	0.9277	0.0000	-1.0436	-0.9277	0.0000	1.0436	0.3781	-0.0002	-0.0603
SNB-GP	1.0500	0.0000	-1.2701	-1.0500	0.0000	1.2701	0.2164	-0.0001	-0.0498
SNB-HP	1.1001	0.0000	-1.3837	-1.1001	0.0000	1.3837	0.0993	-0.0001	-0.0368
SNB-IP	1.4048	0.0000	-1.5524	-1.4048	0.0000	1.5524	0.0280	-0.0000	-0.0186
SNB-JP	0.8374	0.0000	-0.8390	48.8689	-0.0017	-499.3854	0.0000	0.0000	0.0000
RohnA1	0.6446	0.0000	-0.3543	-0.6446	-0.0000	0.3543	1.7621	-0.0021	0.0139
RohnA2	1.1009	0.0000	-0.5223	-1.1009	-0.0000	0.5223	1.7606	-0.0021	0.0140
RohnB1	1.0538	0.0000	-0.5401	-1.0538	-0.0000	0.5401	1.4455	-0.0020	0.0221
RohnB2	0.7194	0.0000	-0.4621	-0.7194	-0.0000	0.4621	1.4432	-0.0019	0.0224
RohnC1	0.6543	0.0000	-0.5121	-0.6543	0.0000	0.5121	1.1319	-0.0009	0.0288
RohnC2	0.6543	0.0000	-0.5121	-0.6543	-0.0000	0.5121	1.1308	-0.0015	0.0290
RohnD1	1.0017	0.0000	-1.07048	-1.0017	0.0000	0.7048	0.8393	-0.0002	0.0328
RohnD2	0.7898	0.0000	-0.6208	-0.7898	-0.0000	0.6208	0.8388	-0.0013	0.0330
RohnE1	0.8106	0.0000	-0.7694	-0.8106	0.0000	0.7694	0.5848	-0.0002	0.0321
RohnE2	0.8106	0.0000	-0.7694	-0.8106	-0.0000	0.7694	0.5850	-0.0005	0.0322
RohnF1	0.9277	0.0000	-1.0436	-0.9277	-0.0000	1.0436	0.3771	0.0005	0.0295
RohnF2	1.3907	0.0000	-1.2176	-1.3907	-0.0000	1.2176	0.3782	-0.0004	0.0296
RohnG1	1.1820	0.0000	-1.3421	-1.1820	-0.0000	1.3421	0.2157	0.0004	0.0247
RohnG2	1.6035	0.0000	-1.4573	-1.6035	-0.0000	1.4573	0.2168	-0.0000	0.0247
RohnH1	1.1001	0.0000	-1.3837	-1.1001	-0.0000	1.3837	0.0985	0.0004	0.0182
RohnH2	1.1001	0.0000	-1.3837	-1.1001	-0.0000	1.3837	0.0992	-0.0002	0.0183
RohnI1	1.4048	0.0000	-1.5524	-1.4048	-0.0000	1.5524	0.0277	0.0002	0.0091
RohnI2	1.4048	0.0000	-1.5524	-1.4048	0.0000	1.5524	0.0280	-0.0000	0.0091
RohnJ1	0.8374	0.0000	-0.8390	8.3545	9.7391	145.1284	0.0000	0.0000	0.0000
RohnJ2	0.8374	0.0000	-0.8390	8.5404	-9.6575	145.4297	0.0000	0.0000	0.0000
SNB-A1	0.1882	0.0000	-0.1863	-0.1882	-0.0000	0.1863	1.7612	-0.0017	0.0031
SNB-A2	0.1882	0.0000	-0.1863	-0.1882	0.0000	0.1863	1.7612	-0.0017	0.0032
SNB-B1	0.4529	0.0000	-0.4033	-0.4529	-0.0000	0.4033	1.4443	-0.0013	0.0117
SNB-B2	0.4529	0.0000	-0.4033	-0.4529	0.0000	0.4033	1.4443	-0.0013	0.0118
SNB-C1	0.6543	0.0000	-0.5121	-0.6543	-0.0000	0.5121	1.1318	-0.0009	0.0191
SNB-C2	0.6543	0.0000	-0.5121	-0.6543	0.0000	0.5121	1.1318	-0.0009	0.0193
SNB-D1	0.7898	0.0000	-0.6208	-0.7898	-0.0000	0.6208	0.8398	-0.0005	0.0240
SNB-D2	0.7898	0.0000	-0.6208	-0.7898	0.0000	0.6208	0.8398	-0.0007	0.0242
SNB-E1	0.8106	0.0000	-0.7694	-0.8106	-0.0000	0.7694	0.5850	-0.0003	0.0245
SNB-E2	0.8106	0.0000	-0.7694	-0.8106	0.0000	0.7694	0.5850	-0.0005	0.0246
SNB-F1	0.9277	0.0000	-1.0436	-0.9277	-0.0000	1.0436	0.3783	-0.0001	0.0243
SNB-F2	0.9277	0.0000	-1.0436	-0.9277	0.0000	1.0436	0.3783	-0.0003	0.0244
SNB-G1	1.0500	0.0000	-1.2701	-1.0500	-0.0000	1.2701	0.2163	0.0000	0.0209
SNB-G2	1.0500	0.0000	-1.2701	-1.0500	0.0000	1.2701	0.2164	-0.0003	0.0210
SNB-H1	1.1001	0.0000	-1.3837	-1.1001	-0.0000	1.3837	0.0990	0.0001	0.0159
SNB-H2	1.1001	0.0000	-1.3837	-1.1001	0.0000	1.3837	0.0990	-0.0003	0.0159
SNB-I1	1.4048	0.0000	-1.5524	-1.4048	-0.0000	1.5524	0.0275	0.0002	0.0082
SNB-I2	1.4048	0.0000	-1.5524	-1.4048	0.0000	1.5524	0.0276	-0.0003	0.0082
SNB-J1	0.8374	0.0000	-0.8390	16.1032	18.2168	223.0017	0.0000	0.0000	0.0000
SNB-J2	0.8374	0.0000	-0.8390	16.1215	-18.2483	223.4730	0.0000	0.0000	0.0000
RohnAaS	0.6035	0.0000	-0.2490	-0.6035	0.0000	0.2490	1.6812	-0.0004	-0.0906
RohnAbS	0.1882	0.0000	-0.1863	-0.1882	0.0000	0.1863	1.6017	-0.0004	-0.0928
RohnAcS	0.5616	0.0000	-0.2502	-0.5616	0.0000	0.2502	1.5225	0.0001	-0.0949

RohnBaS	0.2646	0.0000	-0.2170	-0.2646	0.0000	0.2170	1.3646	-0.0000	-0.0983
RohnBbS	2.2005	0.0000	-1.1580	-2.2005	0.0000	1.1580	1.2859	-0.0001	-0.0997
RohnBcS	0.2646	0.0000	-0.2170	-0.2646	0.0000	0.2170	1.2081	-0.0002	-0.1006
RohnCaS	2.0420	0.0000	-0.9577	-2.0420	0.0000	0.9577	1.0311	-0.0003	-0.1017
RohnCbS	2.8434	0.0000	-1.7228	-2.8434	0.0000	1.7228	0.9335	-0.0003	-0.1015
RohnDaS	2.8903	0.0000	-1.5191	-2.8903	0.0000	1.5191	0.7494	-0.0004	-0.0979
RohnDbS	0.4002	0.0000	-0.3257	-0.4002	0.0000	0.3257	0.6645	-0.0005	-0.0944
RohnEaS	0.4104	0.0000	-0.4437	-0.4104	-0.0000	0.4437	0.5118	-0.0006	-0.0865
RohnEbS	0.4104	0.0000	-0.4437	-0.4104	-0.0000	0.4437	0.4427	-0.0007	-0.0825
RohnFaS	0.5173	0.0000	-0.5999	-0.5173	-0.0000	0.5999	0.2934	-0.0008	-0.0709
RohnGaS	0.5327	0.0000	-0.6702	-0.5327	-0.0000	0.6702	0.1544	-0.0006	-0.0543
RohnHaS	0.5674	0.0000	-0.7135	-0.5674	-0.0000	0.7135	0.0597	-0.0003	-0.0341
RohnIaS	0.8374	0.0000	-0.8390	-0.8374	-0.0000	0.8390	0.0107	-0.0001	-0.0115
SNB-AaS	0.1882	0.0000	-0.1863	-0.1882	-0.0000	0.1863	1.6815	-0.0015	-0.0548
SNB-AbS	0.1882	0.0000	-0.1863	-0.1882	-0.0000	0.1863	1.6020	-0.0015	-0.0572
SNB-AcS	0.1882	0.0000	-0.1863	-0.1882	-0.0000	0.1863	1.5229	-0.0013	-0.0595
SNB-BaS	0.2646	0.0000	-0.2170	-0.2646	-0.0000	0.2170	1.3649	-0.0012	-0.0637
SNB-BbS	0.2646	0.0000	-0.2170	-0.2646	-0.0000	0.2170	1.2862	-0.0011	-0.0656
SNB-BcS	0.2646	0.0000	-0.2170	-0.2646	-0.0000	0.2170	1.2083	-0.0010	-0.0672
SNB-CaS	0.3897	0.0000	-0.2951	-0.3896	-0.0000	0.2951	1.0314	-0.0008	-0.0700
SNB-CbS	0.3897	0.0000	-0.2951	-0.3896	-0.0000	0.2951	0.9338	-0.0007	-0.0708
SNB-DaS	0.4002	0.0000	-0.3257	-0.4002	-0.0000	0.3257	0.7496	-0.0005	-0.0700
SNB-DbS	0.4002	0.0000	-0.3257	-0.4002	-0.0000	0.3257	0.6647	-0.0004	-0.0681
SNB-EaS	0.4104	0.0000	-0.4437	-0.4104	-0.0000	0.4437	0.5120	-0.0003	-0.0642
SNB-EbS	0.4104	0.0000	-0.4437	-0.4104	0.0000	0.4437	0.4428	-0.0003	-0.0626
SNB-FaS	0.5173	0.0000	-0.5999	-0.5173	-0.0000	0.5999	0.2934	-0.0002	-0.0557
SNB-GaS	0.5327	0.0000	-0.6702	-0.5327	-0.0000	0.6702	0.1544	-0.0001	-0.0439
SNB-HaS	0.5674	0.0000	-0.7135	-0.5674	-0.0000	0.7135	0.0597	-0.0000	-0.0283
SNB-IaS	0.8374	0.0000	-0.8390	-0.8374	-0.0000	0.8390	0.0107	-0.0000	-0.0099
SNB-WL-A1S	0.1882	0.0000	-0.1863	-0.1882	0.0000	0.1863	1.7610	-0.0017	-0.0248
SNB-WL-A2S	0.1882	0.0000	-0.1863	-0.1882	0.0000	0.1863	1.7612	-0.0017	0.0030
SNB-WL-A3S	0.1882	0.0000	-0.1863	-0.1882	-0.0000	0.1863	1.7610	-0.0017	-0.0247
SNB-WL-B1S	0.1882	0.0000	-0.1863	-0.1882	0.0000	0.1863	1.4440	-0.0013	-0.0252
SNB-WL-B2S	0.1882	0.0000	-0.1863	-0.1882	-0.0000	0.1863	1.4443	-0.0013	0.0115
SNB-WL-B3S	0.1882	0.0000	-0.1863	-0.1882	-0.0000	0.1863	1.4440	-0.0013	-0.0252
SNB-WL-C1S	0.2646	0.0000	-0.2170	-0.2646	0.0000	0.2170	1.1315	-0.0009	-0.0252
SNB-WL-C2S	0.2646	0.0000	-0.2170	-0.2646	-0.0000	0.2170	1.1319	-0.0009	0.0188
SNB-WL-C3S	0.2646	0.0000	-0.2170	-0.2646	-0.0000	0.2170	1.1315	-0.0009	-0.0252
SNB-WL-D1S	0.3897	0.0000	-0.2951	-0.3896	0.0000	0.2951	0.8397	-0.0006	-0.0246
SNB-WL-D2S	0.3897	0.0000	-0.2951	-0.3896	-0.0000	0.2951	0.8400	-0.0006	0.0231
SNB-WL-D3S	0.3897	0.0000	-0.2951	-0.3896	-0.0000	0.2951	0.8397	-0.0006	-0.0245
SNB-WL-E1S	0.4002	0.0000	-0.3257	-0.4002	0.0000	0.3257	0.5849	-0.0004	-0.0211
SNB-WL-E2S	0.4002	0.0000	-0.3257	-0.4002	-0.0000	0.3257	0.5852	-0.0004	0.0239
SNB-WL-E3S	0.4002	0.0000	-0.3257	-0.4002	-0.0000	0.3257	0.5849	-0.0004	-0.0211
SNB-WL-F1S	0.4104	0.0000	-0.4437	-0.4104	0.0000	0.4437	0.3782	-0.0003	-0.0197
SNB-WL-F2S	0.4104	0.0000	-0.4437	-0.4104	-0.0000	0.4437	0.3785	-0.0002	0.0233
SNB-WL-F3S	0.4104	0.0000	-0.4437	-0.4104	-0.0000	0.4437	0.3782	-0.0002	-0.0197
SNB-WL-G1S	0.5173	0.0000	-0.5999	-0.5173	0.0000	0.5999	0.2164	-0.0002	-0.0174
SNB-WL-G2S	0.5173	0.0000	-0.5999	-0.5173	-0.0000	0.5999	0.2166	-0.0001	0.0187
SNB-WL-G3S	0.5173	0.0000	-0.5999	-0.5173	-0.0000	0.5999	0.2164	-0.0001	-0.0174
SNB-WL-H1S	0.5327	0.0000	-0.6702	-0.5327	0.0000	0.6702	0.0992	-0.0001	-0.0145
SNB-WL-H2S	0.5327	0.0000	-0.6702	-0.5327	-0.0000	0.6702	0.0994	-0.0001	0.0121
SNB-WL-H3S	0.5327	0.0000	-0.6702	-0.5327	-0.0000	0.6702	0.0992	-0.0000	-0.0144
SNB-WL-I1S	0.5674	0.0000	-0.7135	-0.5674	0.0000	0.7135	0.0279	-0.0001	-0.0108
SNB-WL-I2S	0.5674	0.0000	-0.7135	-0.5674	-0.0000	0.7135	0.0280	-0.0000	0.0032
SNB-WL-I3S	0.5674	0.0000	-0.7135	-0.5674	-0.0000	0.7135	0.0279	0.0000	-0.0108
RohnAa1	0.4989	0.0000	-0.2745	-0.4989	0.0000	0.2745	1.6829	-0.0022	0.0161
RohnAa2	0.7887	0.0000	-0.3021	-0.7887	-0.0000	0.3021	1.6812	-0.0020	0.0162
RohnAb1	1.1155	-0.0500	-0.3303	-1.1155	0.0500	0.3303	1.6042	-0.0023	0.0182
RohnAb2	0.1882	0.0000	-0.1863	-0.1882	-0.0000	0.1863	1.6015	-0.0021	0.0184
RohnAc1	0.1882	0.0000	-0.1863	-0.1882	0.0000	0.1863	1.5242	-0.0020	0.0202
RohnAc2	0.1882	0.0000	-0.1863	-0.1882	-0.0000	0.1863	1.5220	-0.0022	0.0204
RohnBa1	0.2646	0.0000	-0.2170	-0.2646	0.0000	0.2170	1.3660	-0.0015	0.0240
RohnBa2	0.2646	0.0000	-0.2170	-0.2646	-0.0000	0.2170	1.3640	-0.0020	0.0242
RohnBb1	2.1265	0.0000	-1.1256	-2.1265	0.0000	1.1256	1.2884	-0.0020	0.0258
RohnBb2	2.1265	0.0000	-1.1256	-2.1265	-0.0000	1.1256	1.2867	-0.0012	0.0260
RohnBc1	0.2646	0.0000	-0.2170	-0.2646	0.0000	0.2170	1.2091	-0.0011	0.0274
RohnBc2	0.2646	0.0000	-0.2170	-0.2646	0.0000	0.2170	1.2077	-0.0017	0.0276
RohnCa1	2.2052	0.0000	-1.0297	-2.2052	0.0000	1.0297	1.0325	-0.0011	0.0305

RohnCa2	2.3119	0.0000	-1.0777	-2.3119	-0.0000	1.0777	1.0317	-0.0009	0.0307
RohnCb1	2.4592	0.0000	-1.6028	-2.4592	0.0000	1.6028	0.9340	-0.0006	0.0319
RohnCb2	2.4592	0.0000	-1.6028	-2.4592	-0.0000	1.6028	0.9334	-0.0011	0.0321
RohnDa1	2.6273	0.0000	-1.3931	-2.6273	0.0000	1.3931	0.7496	-0.0004	0.0332
RohnDa2	2.6273	0.0000	-1.3931	-2.6273	-0.0000	1.3931	0.7494	-0.0007	0.0333
RohnDb1	0.4002	0.0000	-0.3257	-0.4002	0.0000	0.3257	0.6629	0.0007	0.0330
RohnDb2	0.4002	0.0000	-0.3257	-0.4002	-0.0000	0.3257	0.6629	-0.0015	0.0331
RohnEa1	0.4104	0.0000	-0.4437	-0.4104	0.0000	0.4437	0.5105	0.0006	0.0316
RohnEa2	0.4104	0.0000	-0.4437	-0.4104	-0.0000	0.4437	0.5110	-0.0010	0.0317
RohnEb1	0.4104	0.0000	-0.4437	-0.4104	0.0000	0.4437	0.4413	0.0007	0.0308
RohnEb2	0.4104	0.0000	-0.4437	-0.4104	-0.0000	0.4437	0.4420	-0.0009	0.0309
RohnFa1	0.5173	0.0000	-0.5999	-0.5173	0.0000	0.5999	0.2881	0.0026	0.0275
RohnFa2	0.5173	0.0000	-0.5999	-0.5173	-0.0000	0.5999	0.2890	-0.0023	0.0276
RohnGa1	0.5327	0.0000	-0.6702	-0.5327	0.0000	0.6702	0.1491	0.0026	0.0218
RohnGa2	0.5327	0.0000	-0.6702	-0.5327	-0.0000	0.6702	0.1499	-0.0023	0.0218
RohnHa1	0.5674	0.0000	-0.7135	-0.5674	-0.0000	0.7135	0.0537	0.0029	0.0140
RohnHa2	0.5674	0.0000	-0.7135	-0.5674	-0.0000	0.7135	0.0542	-0.0027	0.0140
RohnIa1	0.8374	0.0000	-0.8390	-0.8374	-0.0000	0.8390	0.0063	0.0020	0.0048
RohnIa2	0.8374	0.0000	-0.8390	-0.8374	-0.0000	0.8390	0.0064	-0.0020	0.0048
SNB-Aa1	0.1882	0.0000	-0.1863	-0.1882	-0.0000	0.1863	1.6818	-0.0016	0.0053
SNB-Aa2	0.1882	0.0000	-0.1863	-0.1882	0.0000	0.1863	1.6819	-0.0016	0.0054
SNB-Ab1	0.1882	0.0000	-0.1863	-0.1882	-0.0000	0.1863	1.6026	-0.0015	0.0075
SNB-Ab2	0.1882	0.0000	-0.1863	-0.1882	0.0000	0.1863	1.6025	-0.0015	0.0076
SNB-Ac1	0.1882	0.0000	-0.1863	-0.1882	-0.0000	0.1863	1.5231	-0.0013	0.0096
SNB-Ac2	0.1882	0.0000	-0.1863	-0.1882	0.0000	0.1863	1.5231	-0.0015	0.0097
SNB-Ba1	0.2646	0.0000	-0.2170	-0.2646	-0.0000	0.2170	1.3652	-0.0011	0.0137
SNB-Ba2	0.2646	0.0000	-0.2170	-0.2646	0.0000	0.2170	1.3652	-0.0013	0.0138
SNB-Bb1	0.2646	0.0000	-0.2170	-0.2646	-0.0000	0.2170	1.2866	-0.0010	0.0156
SNB-Bb2	0.2646	0.0000	-0.2170	-0.2646	0.0000	0.2170	1.2866	-0.0012	0.0158
SNB-Bc1	0.2646	0.0000	-0.2170	-0.2646	-0.0000	0.2170	1.2085	-0.0008	0.0175
SNB-Bc2	0.2646	0.0000	-0.2170	-0.2646	0.0000	0.2170	1.2085	-0.0012	0.0176
SNB-Ca1	0.3897	0.0000	-0.2951	-0.3896	-0.0000	0.2951	1.0309	-0.0003	0.0211
SNB-Ca2	0.3897	0.0000	-0.2951	-0.3896	0.0000	0.2951	1.0310	-0.0013	0.0213
SNB-Cb1	0.3897	0.0000	-0.2951	-0.3896	-0.0000	0.2951	0.9330	-0.0001	0.0228
SNB-Cb2	0.3897	0.0000	-0.2951	-0.3896	0.0000	0.2951	0.9330	-0.0013	0.0229
SNB-Da1	0.4002	0.0000	-0.3257	-0.4002	-0.0000	0.3257	0.7486	0.0002	0.0248
SNB-Da2	0.4002	0.0000	-0.3257	-0.4002	0.0000	0.3257	0.7486	-0.0012	0.0249
SNB-Db1	0.4002	0.0000	-0.3257	-0.4002	-0.0000	0.3257	0.6627	0.0008	0.0249
SNB-Db2	0.4002	0.0000	-0.3257	-0.4002	0.0000	0.3257	0.6627	-0.0017	0.0250
SNB-Ea1	0.4104	0.0000	-0.4437	-0.4104	-0.0000	0.4437	0.5110	0.0003	0.0248
SNB-Ea2	0.4104	0.0000	-0.4437	-0.4104	0.0000	0.4437	0.5111	-0.0009	0.0249
SNB-Eb1	0.4104	0.0000	-0.4437	-0.4104	0.0000	0.4437	0.4418	0.0004	0.0247
SNB-Eb2	0.4104	0.0000	-0.4437	-0.4104	-0.0000	0.4437	0.4418	-0.0010	0.0248
SNB-Fa1	0.5173	0.0000	-0.5999	-0.5173	-0.0000	0.5999	0.2880	0.0026	0.0230
SNB-Fa2	0.5173	0.0000	-0.5999	-0.5173	0.0000	0.5999	0.2880	-0.0030	0.0231
SNB-Ga1	0.5327	0.0000	-0.6702	-0.5327	-0.0000	0.6702	0.1494	0.0024	0.0188
SNB-Ga2	0.5327	0.0000	-0.6702	-0.5327	0.0000	0.6702	0.1494	-0.0026	0.0188
SNB-Ha1	0.5674	0.0000	-0.7135	-0.5674	0.0000	0.7135	0.0543	0.0026	0.0124
SNB-Ha2	0.5674	0.0000	-0.7135	-0.5674	0.0000	0.7135	0.0543	-0.0026	0.0124
SNB-Ia1	0.8374	0.0000	-0.8390	-0.8374	0.0000	0.8390	0.0058	-0.0023	0.0044
SNB-Ia2	0.8374	0.0000	-0.8390	-0.8374	-0.0000	0.8390	0.0058	-0.0023	0.0044

Moments for Angles Modeled as Beams:

Angle Label	Torsion (ft-lbs)	Origin X Moment (ft-lbs)	Origin Y Moment (ft-lbs)	End X Moment (ft-lbs)	End Y Moment (ft-lbs)	X Shear (lbs)	Y Shear (lbs)
Rohn-LA1P	0.01	1.04	4.68	26.06	-17.77	5.42	-2.62
Rohn-LA11	2.04	-1.59	2.69	11.25	38.00	1.93	8.13
Rohn-LA12	-2.16	1.18	2.88	6.55	-16.77	1.55	-2.78
Rohn-LA2P	0.01	-26.06	17.77	-32.80	25.97	-11.76	8.74
Rohn-LA21	2.04	-11.25	-38.00	-35.12	-88.05	-9.27	-25.19
Rohn-LA22	-2.16	-6.55	16.77	1.15	3.92	-1.08	4.14
Rohn-LA3P	0.01	32.79	-25.97	35.72	-13.14	13.69	-7.82
Rohn-LA31	2.04	35.12	88.05	40.70	105.53	15.15	38.69
Rohn-LA32	-2.16	-1.15	-3.92	-24.20	50.89	-5.07	9.39
Rohn-LA4P	0.01	-35.72	13.15	-18.78	24.82	-10.89	7.59
Rohn-LA41	2.04	-40.70	-105.53	-61.82	-118.06	-20.49	-44.68

Rohn-LA42	-2.16	24.20	-50.89	46.17	-78.04	14.06	-25.76
Rohn-LB1P	3.01	18.10	-14.09	10.94	-2.36	5.81	-3.29
Rohn-LB11	8.55	60.13	124.64	115.06	226.51	35.01	70.17
Rohn-LB12	-2.44	-42.90	83.82	-109.28	210.95	-30.41	58.91
Rohn-LB2P	3.01	-10.94	2.36	-4.24	56.55	-3.04	11.78
Rohn-LB21	8.54	-115.06	-226.51	-141.95	-220.45	-51.36	-89.31
Rohn-LB22	-2.43	109.28	-210.96	141.26	-214.68	50.07	-85.05
Rohn-LB3P	3.01	4.24	-56.55	4.08	-0.39	1.66	-11.38
Rohn-LB31	8.55	141.95	220.45	77.72	166.58	43.90	77.34
Rohn-LB32	-2.44	-141.27	214.68	-77.79	165.13	-43.77	75.89
Rohn-LB4P	3.01	-4.08	0.39	-6.32	151.53	-2.08	30.37
Rohn-LB41	8.54	-77.72	-166.58	19.93	152.72	-11.54	-2.77
Rohn-LB42	-2.43	77.79	-165.13	-14.86	149.51	12.57	-3.12
Rohn-LC1P	3.01	6.32	-151.53	1.82	86.90	1.22	-9.70
Rohn-LC11	8.53	-19.94	-152.72	-47.45	-1.49	-10.11	-23.13
Rohn-LC12	-2.42	14.86	-149.51	49.63	-5.04	9.67	-23.18
Rohn-LC2P	3.01	-1.82	-86.90	1.23	104.61	-0.09	2.65
Rohn-LC21	8.54	47.45	1.49	-8.48	143.83	5.83	21.73
Rohn-LC22	-2.43	-49.63	5.04	13.40	134.09	-5.42	20.81
Rohn-LC3P	3.01	-1.24	-104.61	-3.16	238.01	-0.66	20.03
Rohn-LC31	8.54	8.48	-143.83	96.98	317.52	15.82	26.05
Rohn-LC32	-2.44	-13.41	-134.09	-104.02	339.10	-17.61	30.75
Rohn-LD1P	3.01	3.16	-238.01	6.65	396.80	1.47	23.84
Rohn-LD11	8.50	-96.98	-317.53	-227.37	49.08	-48.65	-40.26
Rohn-LD12	-2.39	104.01	-339.10	235.19	31.78	50.88	-46.09
Rohn-LD2P	3.01	-6.65	-396.80	-2.02	177.20	-1.30	-32.88
Rohn-LD21	8.61	227.36	-49.08	310.52	765.95	80.43	107.19
Rohn-LD22	-2.50	-235.19	-31.78	-310.74	771.84	-81.63	110.66
Rohn-LD3P	3.01	2.02	-177.20	-0.56	705.21	0.22	79.31
Rohn-LD31	8.44	-310.50	-765.96	-291.18	92.55	-90.23	-100.99
Rohn-LD32	-2.33	310.72	-771.85	292.86	94.35	90.52	-101.60
Rohn-LE1P	3.01	0.55	-705.21	11.80	272.39	1.85	-64.99
Rohn-LE11	8.58	291.18	-92.55	132.71	568.46	63.58	71.38
Rohn-LE12	-2.47	-292.86	-94.34	-128.02	554.91	-63.13	69.08
Rohn-LE2P	3.01	-11.80	-272.39	-25.61	227.34	-5.60	-6.74
Rohn-LE21	8.53	-132.70	-568.47	108.77	453.82	-3.58	-17.14
Rohn-LE22	-2.42	128.01	-554.92	-120.96	491.73	1.05	-9.45
Rohn-LE3P	3.02	25.60	-227.34	26.35	1087.65	7.80	129.21
Rohn-LE31	8.47	-108.76	-453.82	-416.13	170.28	-78.72	-42.52
Rohn-LE32	-2.36	120.95	-491.73	451.05	93.98	85.78	-59.65
Rohn-LF1P	3.00	-26.35	-1087.64	-37.74	90.16	-6.41	-99.77
Rohn-LF11	8.74	416.13	-170.27	740.70	1694.61	115.55	152.25
Rohn-LF12	-2.63	-451.05	-93.96	-762.16	1753.16	-121.18	165.72
Rohn-LF2P	3.03	37.74	-90.16	28.06	1610.28	6.58	152.06
Rohn-LF21	8.21	-740.63	-1694.65	-889.20	-304.86	-162.78	-199.70
Rohn-LF22	-2.09	762.07	-1753.21	921.08	-374.27	168.11	-212.48
Rohn-LG1P	3.00	-28.07	-1610.28	-24.84	-84.36	-5.29	-169.51
Rohn-LG11	8.89	889.18	304.87	984.65	2024.10	187.16	232.62
Rohn-LG12	-2.79	-921.07	374.29	-996.39	2057.39	-191.52	242.87
Rohn-LG2P	3.02	24.84	84.36	12.42	1866.05	3.73	195.11
Rohn-LG21	8.19	-984.56	-2024.15	-1074.80	-436.99	-205.68	-245.81
Rohn-LG22	-2.08	996.29	-2057.44	1079.50	-447.25	207.32	-250.16
Rohn-LH1P	3.01	-12.42	-1866.05	0.33	-158.90	-1.21	-202.59
Rohn-LH11	8.87	1074.79	437.01	1207.75	2416.41	227.96	284.97
Rohn-LH12	-2.77	-1079.50	447.27	-1210.48	2423.87	-228.70	286.74
Rohn-LH2P	3.01	-0.33	158.90	-1.91	2378.15	-0.22	253.84
Rohn-LH21	7.86	-1207.62	-2416.48	-1408.41	-648.22	-261.26	-306.06
Rohn-LH22	-1.75	1210.33	-2423.95	1412.97	-652.65	261.98	-307.25
Rohn-LI1P	3.01	1.91	-2378.15	-8.28	-189.44	-0.64	-256.85
Rohn-LI11	8.75	1408.40	648.24	1811.72	3738.65	321.61	438.14
Rohn-LI12	-2.64	-1412.96	652.67	-1799.04	3717.64	-320.80	436.48
Rohn-LI2P	3.01	8.27	189.44	53.01	5397.35	6.13	558.91
Rohn-LI21	7.47	-1811.54	-3738.74	-1861.55	1363.52	-366.84	-237.22
Rohn-LI22	-1.37	1798.85	-3717.73	1811.84	1457.98	360.61	-225.69
Rohn-H1P	0.20	2.22	0.09	3.07	-1.06	0.70	-0.13
Rohn-H11	-0.06	0.07	-1.04	0.00	1.20	0.01	0.02
Rohn-H12	0.38	-3.10	1.03	-3.29	-0.06	-0.85	0.13
Rohn-H2P	-0.52	6.62	-1.92	6.92	-3.48	1.53	-0.61
Rohn-H21	-0.11	1.18	-3.21	0.07	-0.08	0.14	-0.37

Rohn-H22	0.15	-6.69	0.49	-6.16	-1.11	-1.45	-0.07
SNB-LA1P	-0.03	4.04	66.28	14.54	-9.89	3.71	11.27
SNB-LA11	0.28	66.99	-23.22	16.49	16.21	16.68	-1.40
SNB-LA12	-0.28	-71.19	-35.93	-24.99	-6.89	-19.22	-8.56
SNB-LA2P	-0.03	-14.54	9.89	-19.71	36.80	-6.85	9.33
SNB-LA21	0.28	-16.49	-16.21	-6.37	-43.28	-4.57	-11.89
SNB-LA22	-0.28	24.99	6.89	16.85	-14.09	8.36	-1.44
SNB-LA3P	-0.03	19.71	-36.80	16.20	-39.27	7.18	-15.20
SNB-LA31	0.28	6.37	43.28	4.95	74.59	2.26	23.55
SNB-LA32	-0.28	-16.85	14.09	-13.63	50.64	-6.09	12.94
SNB-LA4P	-0.03	-16.20	39.27	-10.43	117.66	-5.32	31.36
SNB-LA41	0.28	-4.95	-74.59	12.48	-71.73	1.51	-29.24
SNB-LA42	-0.28	13.63	-50.64	-5.29	-54.87	1.67	-21.08
SNB-LB1P	-0.06	9.59	180.97	4.66	46.57	2.85	45.48
SNB-LB11	3.27	113.35	61.20	49.76	101.76	32.60	32.57
SNB-LB12	-3.06	-118.94	47.77	-52.99	94.71	-34.36	28.47
SNB-LB2P	-0.06	-4.66	-46.57	-2.68	120.02	-1.47	14.68
SNB-LB21	3.26	-49.76	-101.76	-33.47	-5.90	-16.63	-21.51
SNB-LB22	-3.05	52.99	-94.71	35.71	-1.57	17.73	-19.24
SNB-LB3P	-0.06	2.68	-120.02	2.22	-57.11	0.98	-35.40
SNB-LB31	3.27	33.47	5.90	45.45	200.25	15.77	41.20
SNB-LB32	-3.05	-35.71	1.57	-45.70	197.62	-16.27	39.80
SNB-LB4P	-0.06	-2.22	57.11	-0.19	545.10	-0.48	120.37
SNB-LB41	3.26	-45.45	-200.25	-0.96	34.90	-9.27	-33.04
SNB-LB42	-3.05	45.70	-197.62	3.72	36.52	9.88	-32.19
SNB-LC1P	0.03	0.19	-31.90	0.31	185.04	0.07	22.98
SNB-LC11	8.24	180.78	-41.25	76.48	176.62	38.59	20.31
SNB-LC12	-8.17	-182.79	-42.56	-76.33	176.37	-38.87	20.07
SNB-LC2P	0.03	-0.31	-185.04	0.97	58.09	0.10	-19.00
SNB-LC21	8.22	-76.48	-176.62	27.97	347.69	-7.25	25.59
SNB-LC22	-8.14	76.33	-176.37	-28.34	346.38	7.18	25.43
SNB-LC3P	0.03	-0.97	-58.09	-0.35	606.31	-0.20	82.29
SNB-LC31	8.23	-27.97	-347.69	4.54	-45.26	-3.51	-58.94
SNB-LC32	-8.15	28.34	-346.38	-0.23	-42.43	4.22	-58.32
SNB-LD1P	-0.02	0.45	115.39	2.98	698.77	0.51	122.22
SNB-LD11	10.64	327.39	-37.18	17.80	537.05	51.78	74.98
SNB-LD12	-10.47	-331.86	-40.46	-18.70	533.08	-52.58	73.89
SNB-LD2P	-0.02	-2.98	-698.77	-0.14	60.82	-0.47	-95.50
SNB-LD21	10.63	-17.79	-537.05	298.95	846.13	42.05	46.22
SNB-LD22	-10.46	18.70	-533.08	-296.17	847.92	-41.50	47.08
SNB-LD3P	-0.02	0.14	-60.82	-0.74	1551.11	-0.09	223.78
SNB-LD31	10.49	-298.94	-846.14	-341.15	265.07	-96.00	-87.15
SNB-LD32	-10.32	296.15	-847.93	343.42	266.96	95.92	-87.13
SNB-LE1P	-0.28	1.34	-334.16	9.80	1080.65	1.67	112.06
SNB-LE11	21.78	690.21	-224.35	226.79	1174.01	137.55	142.45
SNB-LE12	-21.39	-692.85	-227.57	-227.87	1162.13	-138.11	140.18
SNB-LE2P	-0.28	-9.80	-1080.65	-6.38	427.84	-2.42	-97.71
SNB-LE21	21.69	-226.77	-1174.01	352.20	1669.94	18.76	74.16
SNB-LE22	-21.29	227.85	-1162.13	-338.18	1685.23	-16.50	78.23
SNB-LE3P	-0.28	6.38	-427.84	4.65	2952.14	1.66	378.99
SNB-LE31	21.57	-352.17	-1669.94	-703.38	-486.04	-158.32	-323.37
SNB-LE32	-21.18	338.15	-1685.23	690.82	-498.74	154.34	-327.57
SNB-LF1P	-0.02	-4.53	-1710.58	-1.45	-183.05	-0.60	-189.36
SNB-LF11	37.89	1495.17	278.95	1550.36	3153.17	304.23	342.82
SNB-LF12	-37.87	-1483.78	290.74	-1535.87	3163.05	-301.64	344.99
SNB-LF2P	-0.02	1.45	183.05	3.12	3600.23	0.46	378.36
SNB-LF21	36.68	-1550.24	-3153.24	-1534.35	-1210.07	-308.11	-435.82
SNB-LF22	-36.67	1535.75	-3163.13	1523.55	-1219.77	305.58	-437.77
SNB-LG1P	0.27	-3.03	-2079.69	-0.19	135.90	-0.32	-194.39
SNB-LG11	62.32	2852.60	603.92	2705.61	5791.32	555.21	638.79
SNB-LG12	-62.68	-2841.86	613.54	-2691.72	5799.32	-552.75	640.55
SNB-LG2P	0.27	0.19	-135.90	2.03	6133.95	0.22	599.88
SNB-LG21	60.53	-2705.40	-5791.44	-2168.54	-1562.24	-486.83	-734.50
SNB-LG22	-60.89	2691.51	-5799.44	2166.71	-1565.43	485.26	-735.61
SNB-LH1P	0.08	-1.88	-3942.99	3.80	-224.33	0.19	-416.83
SNB-LH11	60.29	3725.83	814.54	3198.94	6398.60	691.66	720.43
SNB-LH12	-60.51	-3724.90	817.11	-3194.24	6396.76	-691.10	720.50
SNB-LH2P	0.08	-3.80	224.34	-1.82	7035.01	-0.56	726.16
SNB-LH21	57.57	-3198.66	-6398.77	-3114.68	-1874.14	-630.55	-826.24

SNB-LH22	-57.78	3193.96	-6396.92	3117.78	-1870.09	630.39	-825.65
SNB-LI1P	-0.02	1.91	-4604.11	7.89	-101.33	0.98	-470.62
SNB-LI11	20.26	5046.17	926.98	5282.81	9695.55	1031.67	1060.99
SNB-LI12	-20.44	-5049.38	922.84	-5277.98	9688.99	-1031.51	1059.92
SNB-LI2P	-0.02	-7.89	101.33	-1.67	13124.61	-0.96	1322.93
SNB-LI21	16.07	-5282.32	-9695.83	-5302.76	2554.68	-1057.21	-713.24
SNB-LI22	-16.24	5277.49	-9689.26	5310.49	2562.12	1057.50	-711.84
SNB-H1aP	-1.76	40.40	66.77	149.97	-0.46	94.22	32.82
SNB-H1bP	-1.76	-149.97	0.47	-30.16	34.88	-89.15	17.50
SNB-H1cP	-2.06	50.39	-35.68	137.72	-1.09	93.10	-18.20
SNB-H1dP	-2.06	-137.71	1.09	-44.49	35.17	-90.18	17.95
SNB-H1eP	6.22	42.65	-34.72	143.52	-2.27	92.15	-18.31
SNB-H1fP	6.22	-143.52	2.26	-40.74	-66.58	-91.20	-31.84
SNB-H2aP	-7.59	176.66	53.31	151.48	2.53	121.40	20.66
SNB-H2bP	-7.58	-151.48	-2.52	-15.84	20.09	-61.91	6.50
SNB-H2cP	0.63	111.27	-25.19	136.14	4.12	91.54	-7.79
SNB-H2dP	0.63	-136.14	-4.12	-111.90	24.78	-91.77	7.64
SNB-H2eP	6.74	12.85	-19.81	153.05	1.22	61.38	-6.88
SNB-H2fP	6.74	-153.05	-1.22	-176.44	-53.32	-121.91	-20.18
SNB-H3aP	-6.00	299.67	34.89	204.98	-3.85	149.11	9.17
SNB-H3bP	-6.00	-204.98	3.85	-10.85	11.28	-63.77	4.47
SNB-H3cP	0.03	169.08	-19.56	191.79	11.55	106.63	-2.37
SNB-H3dP	0.02	-191.79	-11.55	-168.56	19.44	-106.47	2.33
SNB-H3eP	5.92	10.52	-11.03	205.07	-3.83	63.70	-4.39
SNB-H3fP	5.92	-205.07	3.83	-299.81	-34.98	-149.18	-9.20
SNB-H4aP	-6.55	420.45	17.79	327.67	-14.87	183.99	0.72
SNB-H4bP	-6.55	-327.67	14.87	-98.95	3.51	-104.92	4.52
SNB-H4cP	-0.09	276.77	-9.59	314.81	34.29	145.50	6.07
SNB-H4dP	-0.11	-314.81	-34.29	-276.70	9.44	-145.48	-6.11
SNB-H4eP	6.62	99.27	-3.46	327.45	-15.05	104.95	-4.56
SNB-H4fP	6.62	-327.45	15.06	-420.51	-17.73	-183.95	-0.65
SNB-H5aP	-10.26	708.31	27.51	426.89	-24.07	239.16	0.73
SNB-H5bP	-10.25	-426.89	24.07	40.37	-0.52	-81.43	4.96
SNB-H5cP	-0.34	360.03	-18.83	405.06	56.82	161.19	8.00
SNB-H5dP	-0.36	-405.06	-56.82	-359.68	18.60	-161.11	-8.05
SNB-H5eP	10.57	-39.47	0.48	426.13	-24.13	81.46	-4.98
SNB-H5fP	10.58	-426.13	24.13	-708.95	-27.22	-239.13	-0.65
SNB-H6aP	-47.80	744.43	8.96	684.96	-23.46	263.32	-2.65
SNB-H6bP	-47.79	-684.96	23.43	-267.08	-9.45	-175.38	2.57
SNB-H6cP	-0.13	616.63	-14.56	580.29	47.56	220.50	6.08
SNB-H6dP	-0.15	-580.29	-47.56	-617.27	14.68	-220.62	-6.06
SNB-H6eP	47.92	267.89	9.70	684.77	-22.11	175.50	-2.30
SNB-H6fP	47.93	-684.77	22.13	-744.47	-9.22	-263.29	2.40
SNB-H7aP	-42.94	902.57	-8.27	1001.82	-30.24	311.69	-6.28
SNB-H7bP	-42.92	-1001.83	30.20	-724.90	-17.25	-282.61	2.10
SNB-H7cP	0.03	918.48	-11.94	913.28	55.20	299.81	7.08
SNB-H7dP	-0.01	-913.28	-55.20	-918.47	12.08	-299.81	-7.06
SNB-H7eP	42.91	725.04	17.48	1002.04	-29.06	282.67	-1.92
SNB-H7fP	42.93	-1002.04	29.10	-902.77	7.99	-311.76	6.09
SNB-H8aP	-11.90	1271.81	-14.03	1186.04	-32.68	361.95	-6.87
SNB-H8bP	-11.87	-1186.04	32.67	-869.51	-8.52	-302.70	3.55
SNB-H8cP	-0.07	1112.67	5.73	1174.29	65.02	336.80	10.42
SNB-H8dP	-0.12	-1174.29	-65.02	-1113.19	-5.80	-336.87	-10.43
SNB-H8eP	11.98	870.06	8.44	1185.89	-32.47	302.76	-3.55
SNB-H8fP	12.01	-1185.89	32.48	-1271.88	14.23	-361.94	6.89
SNB-H9aP	-29.02	1420.18	-19.12	1379.62	-38.41	374.70	-7.68
SNB-H9bP	-29.00	-1379.63	38.37	-1108.14	7.80	-332.94	6.16
SNB-H9cP	0.01	1353.46	26.51	1338.13	75.97	360.23	13.72
SNB-H9dP	-0.05	-1338.13	-75.97	-1353.50	-26.53	-360.24	-13.72
SNB-H9eP	29.04	1108.21	-7.82	1379.59	-38.34	332.94	-6.20
SNB-H9fP	29.06	-1379.58	38.39	-1420.29	19.22	-374.71	7.73

Equilibrium Joint Positions and Rotations for Load Case "2: 0.9D + 1.0Dg + 1.6Wo":

Joint Label	X-Displ (ft)	Y-Displ (ft)	Z-Displ (ft)	X-Rot (deg)	Y-Rot (deg)	Z-Rot (deg)	X-Pos (ft)	Y-Pos (ft)	Z-Pos (ft)
RohnAP	1.757	-0.0008566	-0.08565	0.0063	0.9042	0.0112	6.09	-0.0008566	179.9
RohnBP	1.441	-4.944e-005	-0.0942	-0.0011	0.9022	0.0110	6.562	-4.944e-005	159.9
RohnCP	1.129	-0.0003082	-0.0988	-0.0006	0.8694	0.0073	7.038	-0.0003082	139.9
RohnDP	0.8377	-0.0004046	-0.09815	-0.0002	0.7889	0.0048	7.533	-0.0004046	119.9
RohnEP	0.5836	-0.0005454	-0.08804	-0.0005	0.6499	0.0032	8.065	-0.0005454	99.91
RohnFP	0.3774	-0.0007025	-0.0764	-0.0003	0.5153	0.0021	8.645	-0.0007025	79.92
RohnGP	0.216	-0.0006311	-0.06144	0.0006	0.3914	0.0015	9.271	-0.0006311	59.94
RohnHP	0.09911	-0.0004152	-0.0442	0.0010	0.2682	0.0009	9.94	-0.0004152	39.96
RohnIP	0.02794	-0.0002054	-0.02172	0.0006	0.1220	0.0003	10.66	-0.0002054	19.98
RohnJP	0	0	0	0.0000	0.0000	0.0000	11.42	0	0
SNB-AP	1.757	-0.001726	-0.05107	0.0020	0.9008	-0.0000	4.09	-0.001726	179.9
SNB-BP	1.441	-0.00132	-0.06035	0.0009	0.8964	-0.0000	4.562	-0.00132	159.9
SNB-CP	1.129	-0.0009444	-0.06745	0.0010	0.8635	0.0000	5.037	-0.0009444	139.9
SNB-DP	0.8379	-0.0006312	-0.06987	0.0008	0.7794	-0.0000	5.533	-0.0006312	119.9
SNB-EP	0.5837	-0.0004042	-0.06432	0.0006	0.6358	0.0000	6.065	-0.0004042	99.94
SNB-FP	0.3775	-0.0002485	-0.05953	0.0004	0.5159	0.0000	6.646	-0.0002485	79.94
SNB-GP	0.2161	-0.0001362	-0.04914	0.0003	0.3745	0.0000	7.271	-0.0001362	59.95
SNB-HP	0.09913	-5.785e-005	-0.03641	0.0002	0.2606	0.0000	7.94	-5.785e-005	39.96
SNB-IP	0.02794	-1.49e-005	-0.01843	0.0001	0.1192	0.0000	8.656	-1.49e-005	19.98
SNB-JP	0	0	0	0.0000	0.0000	0.0000	9.415	0	0
RohnA1	1.759	-0.002185	0.01615	0.0011	0.9069	0.0044	-0.408	-3.755	180
RohnA2	1.757	-0.002091	0.01631	0.0006	0.9059	0.0178	-0.4094	3.75	180
RohnB1	1.443	-0.002016	0.02436	0.0060	0.9086	0.0000	-1.118	-4.437	160
RohnB2	1.44	-0.001964	0.02457	-0.0016	0.9067	0.0222	-1.12	4.433	160
RohnC1	1.13	-0.0009647	0.0309	-0.0016	0.8635	-0.0089	-1.825	-5.118	140
RohnC2	1.129	-0.001575	0.03108	0.0061	0.8601	0.0234	-1.826	5.116	140
RohnD1	0.8379	-0.0002252	0.03469	-0.0020	0.7846	-0.0132	-2.51	-5.798	120
RohnD2	0.8374	-0.001327	0.03485	0.0052	0.7821	0.0227	-2.51	5.797	120
RohnE1	0.5838	-0.0001772	0.03361	-0.0001	0.6490	-0.0130	-3.157	-6.479	100
RohnE2	0.5841	-0.0004873	0.03373	0.0027	0.6466	0.0195	-3.156	6.478	100
RohnF1	0.3766	0.0005169	0.03075	0.0110	0.5371	-0.0128	-3.757	-7.16	80.03
RohnF2	0.3776	-0.0004388	0.03082	-0.0096	0.5361	0.0170	-3.756	7.16	80.03
RohnG1	0.2154	0.000361	0.0256	0.0033	0.3975	-0.0097	-4.312	-7.841	60.03
RohnG2	0.2165	-1.751e-005	0.02566	-0.0029	0.3977	0.0126	-4.311	7.842	60.03
RohnH1	0.09842	0.0004172	0.01885	0.0032	0.2744	-0.0071	-4.822	-8.522	40.02
RohnH2	0.09906	-0.0001701	0.01889	-0.0034	0.2751	0.0089	-4.821	8.522	40.02
RohnI1	0.02763	0.0001878	0.009378	0.0060	0.1346	-0.0040	-5.287	-9.206	20.01
RohnI2	0.02796	-2.775e-005	0.009398	-0.0063	0.1354	0.0046	-5.287	9.206	20.01
RohnJ1	0	0	0	0.0000	0.0000	0.0000	-5.71	-9.89	0
RohnJ2	0	0	0	0.0000	0.0000	0.0000	-5.71	9.89	0
SNB-A1	1.758	-0.001731	0.004211	-0.0028	0.9100	-0.0018	0.5911	-2.022	180
SNB-A2	1.758	-0.001724	0.004294	0.0048	0.9094	0.0020	0.5911	2.019	180
SNB-B1	1.441	-0.001328	0.01272	0.0002	0.9037	-0.0021	-0.119	-2.704	160
SNB-B2	1.441	-0.001315	0.01282	0.0021	0.9039	0.0023	-0.1191	2.702	160
SNB-C1	1.13	-0.0009366	0.02013	-0.0002	0.8716	-0.0029	-0.8243	-3.385	140
SNB-C2	1.13	-0.000959	0.02025	0.0022	0.8716	0.0030	-0.8243	3.383	140
SNB-D1	0.8384	-0.0005453	0.02493	-0.0020	0.7921	-0.0050	-1.509	-4.067	120
SNB-D2	0.8384	-0.0007196	0.02504	0.0035	0.7921	0.0050	-1.509	4.065	120
SNB-E1	0.584	-0.0003111	0.02525	-0.0009	0.6441	-0.0040	-2.156	-4.747	100
SNB-E2	0.584	-0.0004978	0.02534	0.0019	0.6440	0.0040	-2.156	4.746	100
SNB-F1	0.3777	-0.0001576	0.02494	0.0043	0.5398	-0.0038	-2.756	-5.428	80.02
SNB-F2	0.3777	-0.0003463	0.02501	-0.0035	0.5397	0.0038	-2.756	5.428	80.03
SNB-G1	0.216	9.501e-006	0.02139	0.0028	0.4010	-0.0047	-3.311	-6.11	60.02
SNB-G2	0.216	-0.0002888	0.02145	-0.0022	0.4010	0.0046	-3.311	6.11	60.02
SNB-H1	0.0989	0.0001415	0.01625	-0.0027	0.2751	-0.0045	-3.822	-6.79	40.02
SNB-H2	0.0989	-0.0002586	0.01629	0.0030	0.2751	0.0045	-3.822	6.79	40.02
SNB-I1	0.02752	0.0002466	0.008334	0.0029	0.1399	-0.0042	-4.286	-7.472	20.01
SNB-I2	0.02753	-0.0002762	0.008353	-0.0028	0.1399	0.0042	-4.286	7.472	20.01
SNB-J1	0	0	0	0.0000	0.0000	0.0000	-4.708	-8.154	0
SNB-J2	0	0	0	0.0000	0.0000	0.0000	-4.708	8.154	0

RohnAaS	1.678	-0.0004212	-0.08806	0.0014	0.9084	0.0111	6.208	-0.0004212	174.9
RohnAbS	1.598	-0.0003879	-0.09033	0.0027	0.9069	0.0111	6.325	-0.0003879	169.9
RohnAcS	1.52	4.014e-005	-0.09237	0.0021	0.9043	0.0111	6.444	4.014e-005	164.9
RohnBaS	1.362	-5.998e-005	-0.09585	-0.0002	0.9007	0.0101	6.68	-5.998e-005	154.9
RohnBbS	1.283	-0.0001437	-0.09724	-0.0010	0.8943	0.0091	6.798	-0.0001437	149.9
RohnBcS	1.206	-0.000217	-0.09824	-0.0010	0.8875	0.0082	6.918	-0.000217	144.9
RohnCaS	1.029	-0.0003326	-0.0994	-0.0001	0.8448	0.0064	7.2	-0.0003326	133.2
RohnCbS	0.9318	-0.0003628	-0.09926	-0.0004	0.8243	0.0056	7.365	-0.0003628	126.6
RohnDaS	0.7481	-0.0004189	-0.09592	-0.0004	0.7470	0.0043	7.705	-0.0004189	113.2
RohnDbS	0.6634	-0.000486	-0.09253	-0.0007	0.7082	0.0038	7.883	-0.000486	106.6
RohnEaS	0.511	-0.000613	-0.08485	-0.0010	0.6029	0.0028	8.254	-0.000613	93.26
RohnEbS	0.442	-0.0007196	-0.08097	-0.0003	0.5782	0.0025	8.448	-0.0007196	86.58
RohnFaS	0.2929	-0.0007884	-0.06964	0.0002	0.4642	0.0018	8.954	-0.0007884	69.93
RohnGaS	0.1541	-0.0005872	-0.05339	0.0005	0.3344	0.0012	9.602	-0.0005872	49.95
RohnHaS	0.05958	-0.0002974	-0.03355	0.0005	0.2044	0.0006	10.3	-0.0002974	29.97
RohnIaS	0.01059	-9.413e-005	-0.01128	0.0007	0.0857	0.0002	11.04	-9.413e-005	9.989
SNB-AaS	1.678	-0.00158	-0.05353	0.0005	0.9094	-0.0001	4.208	-0.00158	174.9
SNB-AbS	1.599	-0.001579	-0.05593	0.0012	0.9063	-0.0000	4.326	-0.001579	169.9
SNB-AcS	1.52	-0.001376	-0.05822	0.0017	0.9061	-0.0000	4.444	-0.001376	164.9
SNB-BaS	1.362	-0.001219	-0.06244	0.0012	0.9026	-0.0000	4.68	-0.001219	154.9
SNB-BbS	1.284	-0.001128	-0.06435	0.0010	0.8937	0.0000	4.798	-0.001128	149.9
SNB-BcS	1.206	-0.001031	-0.06601	0.0011	0.8896	0.0000	4.917	-0.001031	144.9
SNB-CaS	1.029	-0.0008325	-0.06888	0.0010	0.8460	0.0000	5.2	-0.0008325	133.3
SNB-CbS	0.932	-0.0007261	-0.06967	0.0009	0.8270	0.0000	5.365	-0.0007261	126.6
SNB-DaS	0.7483	-0.0005406	-0.06899	0.0007	0.7491	-0.0000	5.705	-0.0005406	113.3
SNB-DbS	0.6635	-0.0004708	-0.06708	0.0006	0.7120	-0.0000	5.883	-0.0004708	106.6
SNB-EaS	0.5111	-0.0003395	-0.06337	0.0004	0.6075	0.0000	6.254	-0.0003395	93.28
SNB-EbS	0.4421	-0.0002981	-0.06173	0.0004	0.5780	0.0000	6.448	-0.0002981	86.6
SNB-FaS	0.2929	-0.0001904	-0.05495	0.0003	0.4690	0.0000	6.954	-0.0001904	69.95
SNB-GaS	0.1542	-9.487e-005	-0.04335	0.0002	0.3412	0.0000	7.602	-9.487e-005	49.96
SNB-HaS	0.05958	-2.992e-005	-0.02801	0.0001	0.2077	0.0000	8.294	-2.992e-005	29.97
SNB-IaS	0.01059	-1.624e-006	-0.009751	0.0000	0.0869	0.0000	9.032	-1.624e-006	9.99
SNB-WL-A1S	1.757	-0.001736	-0.02357	-0.0003	0.9051	-0.0039	2.341	-1.012	180
SNB-WL-A2S	1.758	-0.001728	0.004135	0.0008	0.9097	0.0001	0.5912	-0.001728	180
SNB-WL-A3S	1.757	-0.001716	-0.02352	0.0035	0.9051	0.0039	2.341	1.009	180
SNB-WL-B1S	1.441	-0.001331	-0.02401	0.0036	0.8947	-0.0040	2.221	-1.353	160
SNB-WL-B2S	1.441	-0.001322	0.01263	0.0012	0.9038	0.0001	-0.119	-0.001322	160
SNB-WL-B3S	1.441	-0.001307	-0.02397	-0.0016	0.8947	0.0040	2.221	1.35	160
SNB-WL-C1S	1.129	-0.0009656	-0.02403	0.0073	0.8554	-0.0038	2.106	-1.693	140
SNB-WL-C2S	1.13	-0.0009478	0.01989	0.0010	0.8716	0.0000	-0.8242	-0.0009478	140
SNB-WL-C3S	1.129	-0.0009263	-0.02397	-0.0054	0.8554	0.0039	2.106	1.691	140
SNB-WL-D1S	0.8382	-0.0006643	-0.0233	0.0088	0.7695	-0.0039	2.012	-2.034	120
SNB-WL-D2S	0.8386	-0.0006325	0.02426	0.0008	0.7921	0.0000	-1.509	-0.0006325	120
SNB-WL-D3S	0.8382	-0.0005984	-0.02325	-0.0072	0.7695	0.0039	2.012	2.032	120
SNB-WL-E1S	0.5839	-0.0004296	-0.02013	0.0099	0.6225	-0.0029	1.954	-2.374	99.98
SNB-WL-E2S	0.5842	-0.0004044	0.0248	0.0005	0.6440	0.0000	-2.156	-0.0004044	100
SNB-WL-E3S	0.5839	-0.0003791	-0.02009	-0.0088	0.6225	0.0029	1.954	2.373	99.98
SNB-WL-F1S	0.3777	-0.0002821	-0.01862	0.0097	0.5151	-0.0020	1.945	-2.714	79.98
SNB-WL-F2S	0.3779	-0.000252	0.02427	0.0004	0.5397	-0.0000	-2.756	-0.000252	80.02
SNB-WL-F3S	0.3777	-0.0002224	-0.01858	-0.0089	0.5151	0.0020	1.945	2.714	79.98
SNB-WL-G1S	0.2161	-0.0001822	-0.01615	0.0046	0.3824	-0.0015	1.98	-3.055	59.98
SNB-WL-G2S	0.2163	-0.0001397	0.01984	0.0003	0.4010	-0.0000	-3.311	-0.0001397	60.02
SNB-WL-G3S	0.2161	-9.793e-005	-0.01612	-0.0041	0.3824	0.0015	1.98	3.055	59.98
SNB-WL-H1S	0.0991	-0.0001065	-0.01309	0.0065	0.2544	-0.0015	2.059	-3.395	39.99
SNB-WL-H2S	0.09925	-5.852e-005	0.01347	0.0002	0.2751	-0.0000	-3.821	-5.852e-005	40.01
SNB-WL-H3S	0.0991	-1.124e-005	-0.01307	-0.0061	0.2544	0.0015	2.059	3.395	39.99
SNB-WL-I1S	0.02786	-7.019e-005	-0.00927	0.0081	0.1181	-0.0016	2.185	-3.736	19.99
SNB-WL-I2S	0.02797	-1.482e-005	0.004777	0.0001	0.1399	-0.0000	-4.286	-1.482e-005	20
SNB-WL-I3S	0.02786	4.013e-005	-0.009259	-0.0080	0.1181	0.0016	2.185	3.736	19.99
RohnAa1	1.68	-0.002242	0.01833	-0.0016	0.9001	0.0037	-0.5854	-3.925	175
RohnAa2	1.678	-0.00206	0.01848	-0.0003	0.9097	0.0190	-0.5871	3.921	175
RohnAb1	1.601	-0.002379	0.02041	0.0030	0.9097	0.0022	-0.7625	-4.096	170
RohnAb2	1.598	-0.002167	0.02062	-0.0018	0.9122	0.0202	-0.7652	4.092	170
RohnAc1	1.521	-0.002001	0.02244	0.0019	0.9063	0.0013	-0.9407	-4.266	165
RohnAc2	1.519	-0.002215	0.02265	0.0027	0.9016	0.0208	-0.943	4.262	165
RohnBa1	1.363	-0.001558	0.02623	-0.0007	0.8964	-0.0020	-1.296	-4.607	155
RohnBa2	1.361	-0.002048	0.02643	0.0065	0.8915	0.0222	-1.298	4.603	155
RohnBb1	1.286	-0.002029	0.02794	0.0025	0.8956	-0.0048	-1.472	-4.778	150
RohnBb2	1.284	-0.001216	0.02814	0.0026	0.8919	0.0231	-1.473	4.775	150

RohnBc1	1.207	-0.001153	0.02954	0.0102	0.9020	-0.0079	-1.649	-4.948	145
RohnBc2	1.205	-0.001735	0.02974	-0.0050	0.8979	0.0243	-1.651	4.945	145
RohnCa1	1.031	-0.001164	0.03254	0.0015	0.8476	-0.0108	-2.055	-5.345	133.4
RohnCa2	1.03	-0.0009826	0.03272	0.0023	0.8449	0.0237	-2.056	5.343	133.4
RohnCb1	0.9323	-0.0006493	0.03386	0.0070	0.8329	-0.0128	-2.284	-5.572	126.7
RohnCb2	0.9317	-0.001173	0.03402	-0.0040	0.8316	0.0241	-2.285	5.57	126.7
RohnDa1	0.7483	-0.0004198	0.03493	0.0068	0.7601	-0.0141	-2.73	-6.025	113.4
RohnDa2	0.7482	-0.0007927	0.03508	-0.0037	0.7574	0.0226	-2.73	6.024	113.4
RohnDb1	0.6618	0.0006696	0.03461	0.0009	0.7061	-0.0136	-2.948	-6.251	106.7
RohnDb2	0.6618	-0.0016	0.03474	0.0017	0.7042	0.0211	-2.948	6.25	106.7
RohnEa1	0.5097	0.0006182	0.03305	0.0077	0.6170	-0.0133	-3.362	-6.705	93.37
RohnEa2	0.5102	-0.001034	0.03316	-0.0055	0.6152	0.0190	-3.361	6.705	93.37
RohnEb1	0.4406	0.0007201	0.0321	-0.0044	0.5677	-0.0123	-3.562	-6.933	86.69
RohnEb2	0.4413	-0.0008992	0.0322	0.0069	0.5647	0.0172	-3.562	6.932	86.69
RohnFa1	0.2877	0.002603	0.02861	-0.0032	0.4573	-0.0106	-4.043	-7.498	70.03
RohnFa2	0.2887	-0.002418	0.02868	0.0041	0.4570	0.0142	-4.042	7.499	70.03
RohnGa1	0.149	0.00262	0.02257	-0.0003	0.3335	-0.0083	-4.575	-8.18	50.02
RohnGa2	0.1498	-0.002337	0.02261	-0.0001	0.3351	0.0107	-4.574	8.18	50.02
RohnHa1	0.05373	0.002953	0.01445	-0.0018	0.2007	-0.0054	-5.064	-8.861	30.01
RohnHa2	0.0542	-0.002752	0.01448	0.0016	0.2015	0.0065	-5.064	8.861	30.01
RohnIa1	0.006317	0.002096	0.004905	-0.0009	0.0840	-0.0026	-5.506	-9.546	10
RohnIa2	0.00648	-0.002012	0.004916	0.0003	0.0852	0.0029	-5.506	9.546	10
SNB-Aa1	1.678	-0.001625	0.006401	0.0025	0.9055	-0.0020	0.4134	-2.193	175
SNB-Aa2	1.679	-0.001653	0.006486	0.0001	0.9063	0.0022	0.4135	2.189	175
SNB-Ab1	1.599	-0.001504	0.008556	0.0017	0.9090	-0.0022	0.2359	-2.363	170
SNB-Ab2	1.599	-0.001517	0.008655	0.0007	0.9090	0.0023	0.2358	2.36	170
SNB-Ac1	1.52	-0.001354	0.01067	0.0014	0.9048	-0.0021	0.05806	-2.534	165
SNB-Ac2	1.52	-0.001514	0.01077	0.0007	0.9041	0.0023	0.05812	2.531	165
SNB-Ba1	1.363	-0.001122	0.01474	0.0025	0.9021	-0.0026	-0.2963	-2.874	155
SNB-Ba2	1.363	-0.001335	0.01485	-0.0004	0.9020	0.0028	-0.2963	2.872	155
SNB-Bb1	1.284	-0.001027	0.01667	0.0020	0.8964	-0.0029	-0.4731	-3.045	150
SNB-Bb2	1.284	-0.001235	0.01678	0.0002	0.8965	0.0030	-0.4731	3.042	150
SNB-Bc1	1.206	-0.0008482	0.01847	0.0009	0.8857	-0.0030	-0.6494	-3.215	145
SNB-Bc2	1.206	-0.001228	0.01859	0.0012	0.8857	0.0031	-0.6494	3.213	145
SNB-Ca1	1.029	-0.0002982	0.0221	0.0066	0.8557	-0.0042	-1.056	-3.612	133.4
SNB-Ca2	1.029	-0.00138	0.02221	-0.0048	0.8556	0.0043	-1.056	3.61	133.4
SNB-Cb1	0.9314	-0.0001264	0.02371	-0.0018	0.8163	-0.0042	-1.285	-3.839	126.7
SNB-Cb2	0.9314	-0.001341	0.02382	0.0037	0.8164	0.0043	-1.285	3.838	126.7
SNB-Da1	0.7473	0.0001697	0.02562	0.0111	0.7655	-0.0059	-1.731	-4.292	113.4
SNB-Da2	0.7473	-0.001271	0.02572	-0.0097	0.7654	0.0059	-1.731	4.291	113.4
SNB-Db1	0.6616	0.0007747	0.02572	-0.0044	0.6986	-0.0044	-1.948	-4.519	106.7
SNB-Db2	0.6616	-0.001718	0.02581	0.0057	0.6987	0.0045	-1.948	4.518	106.7
SNB-Ea1	0.5102	0.0002847	0.02554	0.0069	0.6180	-0.0044	-2.361	-4.973	93.37
SNB-Ea2	0.5102	-0.0009757	0.02562	-0.0059	0.6180	0.0044	-2.361	4.973	93.37
SNB-Eb1	0.4411	0.0004192	0.02542	-0.0047	0.5637	-0.0033	-2.562	-5.201	86.69
SNB-Eb2	0.4411	-0.001001	0.02549	0.0054	0.5637	0.0033	-2.562	5.2	86.69
SNB-Fa1	0.2876	0.002671	0.02357	0.0001	0.4587	-0.0038	-3.043	-5.766	70.02
SNB-Fa2	0.2876	-0.003032	0.02363	0.0005	0.4587	0.0038	-3.043	5.766	70.02
SNB-Ga1	0.1493	0.002439	0.01917	0.0016	0.3334	-0.0045	-3.575	-6.448	50.02
SNB-Ga2	0.1493	-0.002619	0.01922	-0.0011	0.3334	0.0045	-3.575	6.448	50.02
SNB-Ha1	0.05428	0.002637	0.01263	0.0017	0.2019	-0.0043	-4.063	-7.129	30.01
SNB-Ha2	0.05428	-0.002702	0.01266	-0.0014	0.2019	0.0042	-4.063	7.129	30.01
SNB-Ia1	0.00587	0.002354	0.004451	-0.0005	0.0823	-0.0025	-4.505	-7.81	10
SNB-Ia2	0.005873	-0.002362	0.004461	0.0006	0.0823	0.0025	-4.505	7.81	10

Joint Support Reactions for Load Case "2: 0.9D + 1.0Dg + 1.6Wo":

Joint Label	X Force (kips)	X Usage %	Y Force (kips)	Y Usage %	Z Force (kips)	Z Usage %	Uplift Usage %	Result. Force (kips)	Result. Usage %	X X-M. Moment (ft-k)	X X-M. Usage %	Y Y-M. Moment (ft-k)	Y Y-M. Usage %	Z Z-M. Moment (ft-k)	Z Z-M. Usage %	Max. Usage %
RohnJP	-28.59	0.0	0.10	0.0	342.58	0.0	0.0	343.77	0.0	-0.05	0.0	-5.3	0.0	-0.01	0.0	0.0
SNB-JP	-49.56	0.0	0.00	0.0	495.02	0.0	0.0	497.50	0.0	0.00	0.0	-13.0	0.0	0.00	0.0	0.0
RohnJ1	-9.33	0.0	-9.96	0.0	-148.99	0.0	0.0	149.62	0.0	1.92	0.0	-1.4	0.0	0.00	0.0	0.0
RohnJ2	-9.51	0.0	9.88	0.0	-149.32	0.0	0.0	149.95	0.0	-1.87	0.0	-1.5	0.0	-0.01	0.0	0.0
SNB-J1	-17.01	0.0	-18.33	0.0	-226.45	0.0	0.0	227.83	0.0	5.40	0.0	-2.6	0.0	-0.04	0.0	0.0
SNB-J2	-17.03	0.0	18.36	0.0	-226.95	0.0	0.0	228.32	0.0	-5.40	0.0	-2.6	0.0	0.04	0.0	0.0

Joint Displacements, Loads and Member Forces on Joints for Load Case "2: 0.9D + 1.0Dg + 1.6Wo":

Joint Label	X External Load (kips)	Y External Load (kips)	Z External Load (kips)	X Member Force (kips)	Y Member Force (kips)	Z Member Force (kips)	X Disp. (ft)	Y Disp. (ft)	Z Disp. (ft)
RohnAP	0.6446	0.0000	-0.2657	-0.6446	-0.0000	0.2657	1.7569	-0.0009	-0.0856
RohnBP	3.0288	0.0000	-0.9541	-3.0288	-0.0000	0.9541	1.4406	-0.0000	-0.0942
RohnCP	0.6543	0.0000	-0.3841	-0.6543	0.0000	0.3841	1.1288	-0.0003	-0.0988
RohnDP	0.7898	0.0000	-0.4656	-0.7898	0.0000	0.4656	0.8377	-0.0004	-0.0981
RohnEP	0.8106	0.0000	-0.5771	-0.8106	-0.0000	0.5771	0.5836	-0.0005	-0.0880
RohnFP	0.9277	0.0000	-0.7827	-0.9277	-0.0000	0.7827	0.3774	-0.0007	-0.0764
RohnGP	1.2867	0.0000	-1.0426	-1.2867	-0.0000	1.0426	0.2160	-0.0006	-0.0614
RohnHP	1.1001	0.0000	-1.0378	-1.1001	-0.0000	1.0378	0.0991	-0.0004	-0.0442
RohnIP	1.4048	0.0000	-1.1643	-1.4048	-0.0000	1.1643	0.0279	-0.0002	-0.0217
RohnJP	0.8374	0.0000	-0.6292	27.7526	-0.0983	-341.9525	0.0000	0.0000	0.0000
SNB-AP	0.1882	0.0000	-0.1397	-0.1882	0.0000	0.1397	1.7572	-0.0017	-0.0511
SNB-BP	0.4529	0.0000	-0.3025	-0.4529	0.0000	0.3025	1.4409	-0.0013	-0.0604
SNB-CP	0.6543	0.0000	-0.3841	-0.6543	0.0000	0.3841	1.1291	-0.0009	-0.0674
SNB-DP	0.7898	0.0000	-0.4656	-0.7898	0.0000	0.4656	0.8379	-0.0006	-0.0699
SNB-EP	0.8106	0.0000	-0.5771	-0.8106	0.0000	0.5771	0.5837	-0.0004	-0.0643
SNB-FP	0.9277	0.0000	-0.7827	-0.9277	0.0000	0.7827	0.3775	-0.0002	-0.0595
SNB-GP	1.0500	0.0000	-0.9526	-1.0500	0.0000	0.9526	0.2161	-0.0001	-0.0491
SNB-HP	1.1001	0.0000	-1.0378	-1.1001	0.0000	1.0378	0.0991	-0.0001	-0.0364
SNB-IP	1.4048	0.0000	-1.1643	-1.4048	0.0000	1.1643	0.0279	-0.0000	-0.0184
SNB-JP	0.8374	0.0000	-0.6292	48.7255	-0.0012	-494.3940	0.0000	0.0000	0.0000
RohnA1	0.6446	0.0000	-0.2657	-0.6446	-0.0000	0.2657	1.7585	-0.0022	0.0162
RohnA2	1.1009	0.0000	-0.3917	-1.1009	-0.0000	0.3917	1.7571	-0.0021	0.0163
RohnB1	1.0538	0.0000	-0.4051	-1.0538	-0.0000	0.4051	1.4427	-0.0020	0.0244
RohnB2	0.7194	0.0000	-0.3466	-0.7194	-0.0000	0.3466	1.4404	-0.0020	0.0246
RohnC1	0.6543	0.0000	-0.3841	-0.6543	0.0000	0.3841	1.1298	-0.0010	0.0309
RohnC2	0.6543	0.0000	-0.3841	-0.6543	-0.0000	0.3841	1.1287	-0.0016	0.0311
RohnD1	1.0017	0.0000	-0.5286	-1.0017	0.0000	0.5286	0.8379	-0.0002	0.0347
RohnD2	0.7898	0.0000	-0.4656	-0.7898	-0.0000	0.4656	0.8374	-0.0013	0.0349
RohnE1	0.8106	0.0000	-0.5771	-0.8106	0.0000	0.5771	0.5838	-0.0002	0.0336
RohnE2	0.8106	0.0000	-0.5771	-0.8106	-0.0000	0.5771	0.5841	-0.0005	0.0337
RohnF1	0.9277	0.0000	-0.7827	-0.9277	-0.0000	0.7827	0.3766	0.0005	0.0307
RohnF2	1.3907	0.0000	-0.9132	-1.3907	-0.0000	0.9132	0.3776	-0.0004	0.0308
RohnG1	1.1820	0.0000	-1.0066	-1.1820	0.0000	1.0066	0.2154	0.0004	0.0256
RohnG2	1.6035	0.0000	-1.0930	-1.6035	-0.0000	1.0930	0.2165	-0.0000	0.0257
RohnH1	1.1001	0.0000	-1.0378	-1.1001	0.0000	1.0378	0.0984	0.0004	0.0189
RohnH2	1.1001	0.0000	-1.0378	-1.1001	-0.0000	1.0378	0.0991	-0.0002	0.0189
RohnI1	1.4048	0.0000	-1.1643	-1.4048	-0.0000	1.1643	0.0276	0.0002	0.0094
RohnI2	1.4048	0.0000	-1.1643	-1.4048	-0.0000	1.1643	0.0280	-0.0000	0.0094
RohnJ1	0.8374	0.0000	-0.6292	8.4889	9.9648	149.6238	0.0000	0.0000	0.0000
RohnJ2	0.8374	0.0000	-0.6292	8.6753	-9.8834	149.9473	0.0000	0.0000	0.0000
SNB-A1	0.1882	0.0000	-0.1397	-0.1882	-0.0000	0.1397	1.7576	-0.0017	0.0042
SNB-A2	0.1882	0.0000	-0.1397	-0.1882	0.0000	0.1398	1.7576	-0.0017	0.0043
SNB-B1	0.4529	0.0000	-0.3025	-0.4529	-0.0000	0.3025	1.4415	-0.0013	0.0127
SNB-B2	0.4529	0.0000	-0.3025	-0.4529	0.0000	0.3025	1.4414	-0.0013	0.0128
SNB-C1	0.6543	0.0000	-0.3841	-0.6543	-0.0000	0.3841	1.1297	-0.0009	0.0201
SNB-C2	0.6543	0.0000	-0.3841	-0.6543	0.0000	0.3841	1.1297	-0.0010	0.0202
SNB-D1	0.7898	0.0000	-0.4656	-0.7898	-0.0000	0.4656	0.8384	-0.0005	0.0249
SNB-D2	0.7898	0.0000	-0.4656	-0.7898	0.0000	0.4656	0.8384	-0.0007	0.0250
SNB-E1	0.8106	0.0000	-0.5771	-0.8106	-0.0000	0.5771	0.5840	-0.0003	0.0252
SNB-E2	0.8106	0.0000	-0.5771	-0.8106	0.0000	0.5771	0.5840	-0.0005	0.0253
SNB-F1	0.9277	0.0000	-0.7827	-0.9277	-0.0000	0.7827	0.3777	-0.0002	0.0249
SNB-F2	0.9277	0.0000	-0.7827	-0.9277	0.0000	0.7827	0.3777	-0.0003	0.0250
SNB-G1	1.0500	0.0000	-0.9526	-1.0500	-0.0000	0.9526	0.2160	0.0000	0.0214
SNB-G2	1.0500	0.0000	-0.9526	-1.0500	0.0000	0.9526	0.2160	-0.0003	0.0215
SNB-H1	1.1001	0.0000	-1.0378	-1.1001	-0.0000	1.0378	0.0989	0.0001	0.0163
SNB-H2	1.1001	0.0000	-1.0378	-1.1001	0.0000	1.0378	0.0989	-0.0003	0.0163
SNB-I1	1.4048	0.0000	-1.1643	-1.4048	-0.0000	1.1643	0.0275	0.0002	0.0083
SNB-I2	1.4048	0.0000	-1.1643	-1.4048	0.0000	1.1643	0.0275	-0.0003	0.0084
SNB-J1	0.8374	0.0000	-0.6292	16.1746	18.3277	227.0802	0.0000	0.0000	0.0000
SNB-J2	0.8374	0.0000	-0.6292	16.1929	-18.3595	227.5762	0.0000	0.0000	0.0000
RohnAaS	0.6035	0.0000	-0.1868	-0.6035	0.0000	0.1868	1.6778	-0.0004	-0.0881
RohnAbS	0.1882	0.0000	-0.1397	-0.1882	0.0000	0.1397	1.5985	-0.0004	-0.0903
RohnAcS	0.5616	0.0000	-0.1877	-0.5616	0.0000	0.1877	1.5196	0.0000	-0.0924

RohnBaS	0.2646	0.0000	-0.1628	-0.2646	0.0000	0.1628	1.3619	-0.0001	-0.0959
RohnBbS	2.2005	0.0000	-0.8685	-2.2005	0.0000	0.8685	1.2835	-0.0001	-0.0972
RohnBcS	0.2646	0.0000	-0.1628	-0.2646	0.0000	0.1628	1.2058	-0.0002	-0.0982
RohnCaS	2.0420	0.0000	-0.7183	-2.0420	0.0000	0.7183	1.0293	-0.0003	-0.0994
RohnCbS	2.8434	0.0000	-1.2921	-2.8434	0.0000	1.2921	0.9318	-0.0004	-0.0993
RohnDaS	2.8903	0.0000	-1.1394	-2.8903	0.0000	1.1394	0.7481	-0.0004	-0.0959
RohnDbS	0.4002	0.0000	-0.2443	-0.4002	0.0000	0.2443	0.6634	-0.0005	-0.0925
RohnEaS	0.4104	0.0000	-0.3328	-0.4104	-0.0000	0.3328	0.5110	-0.0006	-0.0848
RohnEbS	0.4104	0.0000	-0.3328	-0.4104	-0.0000	0.3328	0.4420	-0.0007	-0.0810
RohnFaS	0.5173	0.0000	-0.4499	-0.5173	-0.0000	0.4499	0.2929	-0.0008	-0.0696
RohnGaS	0.5327	0.0000	-0.5027	-0.5327	-0.0000	0.5027	0.1541	-0.0006	-0.0534
RohnHaS	0.5674	0.0000	-0.5351	-0.5674	-0.0000	0.5351	0.0596	-0.0003	-0.0336
RohnIaS	0.8374	0.0000	-0.6292	-0.8374	-0.0000	0.6292	0.0106	-0.0001	-0.0113
SNB-AaS	0.1882	0.0000	-0.1397	-0.1882	-0.0000	0.1397	1.6781	-0.0016	-0.0535
SNB-AbS	0.1882	0.0000	-0.1397	-0.1882	-0.0000	0.1397	1.5988	-0.0016	-0.0559
SNB-AcS	0.1882	0.0000	-0.1397	-0.1882	-0.0000	0.1397	1.5198	-0.0014	-0.0582
SNB-BaS	0.2646	0.0000	-0.1628	-0.2646	-0.0000	0.1628	1.3622	-0.0012	-0.0624
SNB-BbS	0.2646	0.0000	-0.1628	-0.2646	-0.0000	0.1628	1.2838	-0.0011	-0.0643
SNB-BcS	0.2646	0.0000	-0.1628	-0.2646	-0.0000	0.1628	1.2060	-0.0010	-0.0660
SNB-CaS	0.3897	0.0000	-0.2213	-0.3896	-0.0000	0.2213	1.0295	-0.0008	-0.0689
SNB-CbS	0.3897	0.0000	-0.2213	-0.3896	-0.0000	0.2213	0.9320	-0.0007	-0.0697
SNB-DaS	0.4002	0.0000	-0.2443	-0.4002	-0.0000	0.2443	0.7483	-0.0005	-0.0690
SNB-DbS	0.4002	0.0000	-0.2443	-0.4002	-0.0000	0.2443	0.6635	-0.0005	-0.0671
SNB-EaS	0.4104	0.0000	-0.3328	-0.4104	-0.0000	0.3328	0.5111	-0.0003	-0.0634
SNB-EbS	0.4104	0.0000	-0.3328	-0.4104	0.0000	0.3328	0.4421	-0.0003	-0.0617
SNB-FaS	0.5173	0.0000	-0.4499	-0.5173	-0.0000	0.4499	0.2929	-0.0002	-0.0550
SNB-GaS	0.5327	0.0000	-0.5027	-0.5327	-0.0000	0.5027	0.1542	-0.0001	-0.0434
SNB-HaS	0.5674	0.0000	-0.5351	-0.5674	-0.0000	0.5351	0.0596	-0.0000	-0.0280
SNB-IaS	0.8374	0.0000	-0.6292	-0.8374	-0.0000	0.6292	0.0106	-0.0000	-0.0098
SNB-WL-A1S	0.1882	0.0000	-0.1397	-0.1882	0.0000	0.1397	1.7574	-0.0017	-0.0236
SNB-WL-A2S	0.1882	0.0000	-0.1397	-0.1882	-0.0000	0.1397	1.7577	-0.0017	0.0041
SNB-WL-A3S	0.1882	0.0000	-0.1397	-0.1882	-0.0000	0.1397	1.7574	-0.0017	-0.0235
SNB-WL-B1S	0.1882	0.0000	-0.1397	-0.1882	0.0000	0.1397	1.4412	-0.0013	-0.0240
SNB-WL-B2S	0.1882	0.0000	-0.1397	-0.1882	-0.0000	0.1397	1.4415	-0.0013	0.0126
SNB-WL-B3S	0.1882	0.0000	-0.1397	-0.1882	-0.0000	0.1397	1.4412	-0.0013	-0.0240
SNB-WL-C1S	0.2646	0.0000	-0.1628	-0.2646	0.0000	0.1628	1.1294	-0.0010	-0.0240
SNB-WL-C2S	0.2646	0.0000	-0.1628	-0.2646	-0.0000	0.1628	1.1298	-0.0009	0.0199
SNB-WL-C3S	0.2646	0.0000	-0.1628	-0.2646	-0.0000	0.1628	1.1294	-0.0009	-0.0240
SNB-WL-D1S	0.3897	0.0000	-0.2213	-0.3896	0.0000	0.2213	0.8382	-0.0007	-0.0233
SNB-WL-D2S	0.3897	0.0000	-0.2213	-0.3896	-0.0000	0.2213	0.8386	-0.0006	0.0243
SNB-WL-D3S	0.3897	0.0000	-0.2213	-0.3896	-0.0000	0.2213	0.8382	-0.0006	-0.0232
SNB-WL-E1S	0.4002	0.0000	-0.2443	-0.4002	0.0000	0.2443	0.5839	-0.0004	-0.0201
SNB-WL-E2S	0.4002	0.0000	-0.2443	-0.4002	-0.0000	0.2443	0.5842	-0.0004	0.0248
SNB-WL-E3S	0.4002	0.0000	-0.2443	-0.4002	-0.0000	0.2443	0.5839	-0.0004	-0.0201
SNB-WL-F1S	0.4104	0.0000	-0.3328	-0.4104	0.0000	0.3328	0.3777	-0.0003	-0.0186
SNB-WL-F2S	0.4104	0.0000	-0.3328	-0.4104	-0.0000	0.3328	0.3779	-0.0003	0.0243
SNB-WL-F3S	0.4104	0.0000	-0.3328	-0.4104	-0.0000	0.3328	0.3777	-0.0002	-0.0186
SNB-WL-G1S	0.5173	0.0000	-0.4499	-0.5173	0.0000	0.4499	0.2161	-0.0002	-0.0161
SNB-WL-G2S	0.5173	0.0000	-0.4499	-0.5173	-0.0000	0.4499	0.2163	-0.0001	0.0198
SNB-WL-G3S	0.5173	0.0000	-0.4499	-0.5173	-0.0000	0.4499	0.2161	-0.0001	-0.0161
SNB-WL-H1S	0.5327	0.0000	-0.5027	-0.5327	0.0000	0.5027	0.0991	-0.0001	-0.0131
SNB-WL-H2S	0.5327	0.0000	-0.5027	-0.5327	-0.0000	0.5027	0.0992	-0.0001	0.0135
SNB-WL-H3S	0.5327	0.0000	-0.5027	-0.5327	-0.0000	0.5027	0.0991	-0.0000	-0.0131
SNB-WL-I1S	0.5674	0.0000	-0.5351	-0.5674	0.0000	0.5351	0.0279	-0.0001	-0.0093
SNB-WL-I2S	0.5674	0.0000	-0.5351	-0.5674	-0.0000	0.5351	0.0280	-0.0000	0.0048
SNB-WL-I3S	0.5674	0.0000	-0.5351	-0.5674	-0.0000	0.5351	0.0279	0.0000	-0.0093
RohnAa1	0.4989	0.0000	-0.2059	-0.4989	0.0000	0.2059	1.6796	-0.0022	0.0183
RohnAa2	0.7887	0.0000	-0.2266	-0.7887	-0.0000	0.2266	1.6779	-0.0021	0.0185
RohnAb1	1.1155	-0.0500	-0.2477	-1.1155	0.0500	0.2477	1.6010	-0.0024	0.0204
RohnAb2	0.1882	0.0000	-0.1397	-0.1882	-0.0000	0.1397	1.5983	-0.0022	0.0206
RohnAc1	0.1882	0.0000	-0.1397	-0.1882	0.0000	0.1397	1.5213	-0.0020	0.0224
RohnAc2	0.1882	0.0000	-0.1397	-0.1882	-0.0000	0.1397	1.5190	-0.0022	0.0226
RohnBa1	0.2646	0.0000	-0.1628	-0.2646	0.0000	0.1628	1.3634	-0.0016	0.0262
RohnBa2	0.2646	0.0000	-0.1628	-0.2646	-0.0000	0.1628	1.3614	-0.0020	0.0264
RohnBb1	2.1265	0.0000	-0.8442	-2.1265	0.0000	0.8442	1.2860	-0.0020	0.0279
RohnBb2	2.1265	0.0000	-0.8442	-2.1265	-0.0000	0.8442	1.2843	-0.0012	0.0281
RohnBc1	0.2646	0.0000	-0.1628	-0.2646	0.0000	0.1628	1.2068	-0.0012	0.0295
RohnBc2	0.2646	0.0000	-0.1628	-0.2646	0.0000	0.1628	1.2054	-0.0017	0.0297
RohnCa1	2.2052	0.0000	-0.7723	-2.2052	0.0000	0.7723	1.0306	-0.0012	0.0325

RohnCa2	2.3119	0.0000	-0.8083	-2.3119	-0.0000	0.8083	1.0298	-0.0010	0.0327
RohnCb1	2.4592	0.0000	-1.2021	-2.4592	0.0000	1.2021	0.9323	-0.0006	0.0339
RohnCb2	2.4592	0.0000	-1.2021	-2.4592	-0.0000	1.2021	0.9317	-0.0012	0.0340
RohnDa1	2.6273	0.0000	-1.0449	-2.6273	0.0000	1.0449	0.7483	-0.0004	0.0349
RohnDa2	2.6273	0.0000	-1.0449	-2.6273	-0.0000	1.0449	0.7482	-0.0008	0.0351
RohnDb1	0.4002	0.0000	-0.2443	-0.4002	0.0000	0.2443	0.6618	0.0007	0.0346
RohnDb2	0.4002	0.0000	-0.2443	-0.4002	-0.0000	0.2443	0.6618	-0.0016	0.0347
RohnEa1	0.4104	0.0000	-0.3328	-0.4104	-0.0000	0.3328	0.5097	0.0006	0.0331
RohnEa2	0.4104	0.0000	-0.3328	-0.4104	0.0000	0.3328	0.5102	-0.0010	0.0332
RohnEb1	0.4104	0.0000	-0.3328	-0.4104	0.0000	0.3328	0.4406	0.0007	0.0321
RohnEb2	0.4104	0.0000	-0.3328	-0.4104	-0.0000	0.3328	0.4413	-0.0009	0.0322
RohnFa1	0.5173	0.0000	-0.4499	-0.5173	0.0000	0.4499	0.2877	0.0026	0.0286
RohnFa2	0.5173	0.0000	-0.4499	-0.5173	-0.0000	0.4499	0.2887	-0.0024	0.0287
RohnGa1	0.5327	0.0000	-0.5027	-0.5327	-0.0000	0.5027	0.1490	0.0026	0.0226
RohnGa2	0.5327	0.0000	-0.5027	-0.5327	-0.0000	0.5027	0.1498	-0.0023	0.0226
RohnHa1	0.5674	0.0000	-0.5351	-0.5674	0.0000	0.5351	0.0537	0.0030	0.0144
RohnHa2	0.5674	0.0000	-0.5351	-0.5674	-0.0000	0.5351	0.0542	-0.0028	0.0145
RohnIa1	0.8374	0.0000	-0.6292	-0.8374	0.0000	0.6292	0.0063	0.0021	0.0049
RohnIa2	0.8374	0.0000	-0.6292	-0.8374	-0.0000	0.6292	0.0065	-0.0020	0.0049
SNB-Aa1	0.1882	0.0000	-0.1397	-0.1882	-0.0000	0.1397	1.6784	-0.0016	0.0064
SNB-Aa2	0.1882	0.0000	-0.1397	-0.1882	0.0000	0.1397	1.6785	-0.0017	0.0065
SNB-Ab1	0.1882	0.0000	-0.1397	-0.1882	-0.0000	0.1397	1.5994	-0.0015	0.0086
SNB-Ab2	0.1882	0.0000	-0.1397	-0.1882	0.0000	0.1397	1.5993	-0.0015	0.0087
SNB-Ac1	0.1882	0.0000	-0.1397	-0.1882	-0.0000	0.1397	1.5201	-0.0014	0.0107
SNB-Ac2	0.1882	0.0000	-0.1397	-0.1882	0.0000	0.1397	1.5201	-0.0015	0.0108
SNB-Ba1	0.2646	0.0000	-0.1628	-0.2646	-0.0000	0.1628	1.3625	-0.0011	0.0147
SNB-Ba2	0.2646	0.0000	-0.1628	-0.2646	0.0000	0.1628	1.3625	-0.0013	0.0148
SNB-Bb1	0.2646	0.0000	-0.1628	-0.2646	-0.0000	0.1628	1.2842	-0.0010	0.0167
SNB-Bb2	0.2646	0.0000	-0.1628	-0.2646	0.0000	0.1628	1.2842	-0.0012	0.0168
SNB-Bc1	0.2646	0.0000	-0.1628	-0.2646	-0.0000	0.1628	1.2062	-0.0008	0.0185
SNB-Bc2	0.2646	0.0000	-0.1628	-0.2646	0.0000	0.1628	1.2062	-0.0012	0.0186
SNB-Ca1	0.3897	0.0000	-0.2213	-0.3896	-0.0000	0.2213	1.0291	-0.0003	0.0221
SNB-Ca2	0.3897	0.0000	-0.2213	-0.3896	0.0000	0.2213	1.0291	-0.0014	0.0222
SNB-Cb1	0.3897	0.0000	-0.2213	-0.3896	-0.0000	0.2213	0.9314	-0.0001	0.0237
SNB-Cb2	0.3897	0.0000	-0.2213	-0.3896	0.0000	0.2213	0.9314	-0.0013	0.0238
SNB-Da1	0.4002	0.0000	-0.2443	-0.4002	-0.0000	0.2443	0.7473	0.0002	0.0256
SNB-Da2	0.4002	0.0000	-0.2443	-0.4002	0.0000	0.2443	0.7473	-0.0013	0.0257
SNB-Db1	0.4002	0.0000	-0.2443	-0.4002	-0.0000	0.2443	0.6616	0.0008	0.0257
SNB-Db2	0.4002	0.0000	-0.2443	-0.4002	-0.0000	0.2443	0.6616	-0.0017	0.0258
SNB-Ea1	0.4104	0.0000	-0.3328	-0.4104	-0.0000	0.3328	0.5102	0.0003	0.0255
SNB-Ea2	0.4104	0.0000	-0.3328	-0.4104	0.0000	0.3328	0.5102	-0.0010	0.0256
SNB-Eb1	0.4104	0.0000	-0.3328	-0.4104	0.0000	0.3328	0.4411	0.0004	0.0254
SNB-Eb2	0.4104	0.0000	-0.3328	-0.4104	-0.0000	0.3328	0.4411	-0.0010	0.0255
SNB-Fa1	0.5173	0.0000	-0.4499	-0.5173	-0.0000	0.4499	0.2876	0.0027	0.0236
SNB-Fa2	0.5173	0.0000	-0.4499	-0.5173	0.0000	0.4499	0.2876	-0.0030	0.0236
SNB-Ga1	0.5327	0.0000	-0.5027	-0.5327	-0.0000	0.5027	0.1493	0.0024	0.0192
SNB-Ga2	0.5327	0.0000	-0.5027	-0.5327	0.0000	0.5027	0.1493	-0.0026	0.0192
SNB-Ha1	0.5674	0.0000	-0.5351	-0.5674	0.0000	0.5351	0.0543	0.0026	0.0126
SNB-Ha2	0.5674	0.0000	-0.5351	-0.5674	0.0000	0.5351	0.0543	-0.0027	0.0127
SNB-Ia1	0.8374	0.0000	-0.6292	-0.8374	0.0000	0.6292	0.0059	0.0024	0.0045
SNB-Ia2	0.8374	0.0000	-0.6292	-0.8374	-0.0000	0.6292	0.0059	-0.0024	0.0045

Moments for Angles Modeled as Beams:

Angle Label	Torsion (ft-lbs)	Origin X Moment (ft-lbs)	Origin Y Moment (ft-lbs)	End X Moment (ft-lbs)	End Y Moment (ft-lbs)	X Shear (lbs)	Y Shear (lbs)
Rohn-LA1P	0.01	1.03	4.70	26.18	-16.78	5.44	-2.41
Rohn-LA11	2.04	-1.56	2.67	12.14	37.60	2.12	8.05
Rohn-LA12	-2.16	1.13	2.85	5.75	-17.25	1.38	-2.88
Rohn-LA2P	0.01	-26.18	16.78	-32.80	24.59	-11.79	8.27
Rohn-LA21	2.04	-12.15	-37.59	-36.29	-87.35	-9.68	-24.97
Rohn-LA22	-2.16	-5.75	17.25	2.34	4.59	-0.68	4.36
Rohn-LA3P	0.01	32.80	-24.59	35.69	-11.36	13.69	-7.18
Rohn-LA31	2.04	36.29	87.35	42.21	104.60	15.69	38.36
Rohn-LA32	-2.16	-2.34	-4.59	-25.71	50.01	-5.61	9.08
Rohn-LA4P	0.01	-35.69	11.36	-18.74	22.27	-10.88	6.72
Rohn-LA41	2.04	-42.21	-104.60	-63.72	-116.68	-21.17	-44.22

Rohn-LA42	-2.16	25.72	-50.01	48.10	-76.71	14.75	-25.32
Rohn-LB1P	3.01	18.07	-11.50	10.89	0.71	5.79	-2.16
Rohn-LB11	8.54	62.05	123.25	117.31	224.08	35.84	69.41
Rohn-LB12	-2.43	-44.84	82.49	-111.56	208.57	-31.25	58.16
Rohn-LB2P	3.01	-10.90	-0.71	-4.23	52.89	-3.02	10.43
Rohn-LB21	8.53	-117.31	-224.08	-144.37	-218.26	-52.29	-88.39
Rohn-LB22	-2.42	111.56	-208.57	143.68	-212.51	51.00	-84.14
Rohn-LB3P	3.01	4.23	-52.89	4.07	3.06	1.66	-9.96
Rohn-LB31	8.54	144.37	218.25	80.45	164.20	44.93	76.42
Rohn-LB32	-2.43	-143.68	212.50	-80.54	162.75	-44.81	74.98
Rohn-LB4P	3.01	-4.07	-3.06	-6.32	147.60	-2.08	28.90
Rohn-LB41	8.53	-80.45	-164.20	17.07	154.09	-12.66	-2.02
Rohn-LB42	-2.42	80.54	-162.75	-12.01	150.88	13.69	-2.37
Rohn-LC1P	3.01	6.32	-147.59	1.80	87.62	1.22	-9.00
Rohn-LC11	8.52	-17.07	-154.09	-46.58	-2.36	-9.55	-23.47
Rohn-LC12	-2.41	12.01	-150.88	48.74	-5.88	9.11	-23.52
Rohn-LC2P	3.01	-1.80	-87.61	1.26	107.12	-0.08	2.92
Rohn-LC21	8.53	46.58	2.36	-5.85	142.09	6.09	21.60
Rohn-LC22	-2.42	-48.74	5.88	10.79	132.33	-5.68	20.67
Rohn-LC3P	3.01	-1.26	-107.12	-3.16	231.69	-0.66	18.70
Rohn-LC31	8.53	5.85	-142.09	91.84	319.28	14.65	26.58
Rohn-LC32	-2.42	-10.79	-132.32	-98.90	340.82	-16.45	31.27
Rohn-LD1P	3.01	3.16	-231.69	6.57	398.13	1.46	24.99
Rohn-LD11	8.49	-91.84	-319.28	-224.52	47.65	-47.45	-40.74
Rohn-LD12	-2.38	98.89	-340.82	232.29	30.41	49.67	-46.56
Rohn-LD2P	3.01	-6.57	-398.13	-2.00	182.33	-1.28	-32.31
Rohn-LD21	8.59	224.52	-47.65	314.39	760.84	80.59	106.64
Rohn-LD22	-2.48	-232.29	-30.40	-314.65	766.69	-81.78	110.09
Rohn-LD3P	3.01	2.00	-182.33	-0.58	693.83	0.21	76.83
Rohn-LD31	8.42	-314.37	-760.85	-298.47	97.27	-91.91	-99.51
Rohn-LD32	-2.31	314.63	-766.70	300.13	99.08	92.19	-100.12
Rohn-LE1P	3.01	0.58	-693.83	11.78	277.44	1.86	-62.53
Rohn-LE11	8.57	298.47	-97.27	137.25	564.13	65.35	70.02
Rohn-LE12	-2.46	-300.13	-99.07	-132.58	550.60	-64.90	67.72
Rohn-LE2P	3.01	-11.78	-277.44	-25.56	230.56	-5.59	-7.02
Rohn-LE21	8.52	-137.24	-564.13	111.54	450.50	-3.84	-16.99
Rohn-LE22	-2.41	132.57	-550.60	-123.76	488.33	1.32	-9.31
Rohn-LE3P	3.02	25.56	-230.56	26.22	1068.01	7.78	125.77
Rohn-LE31	8.46	-111.54	-450.50	-429.36	179.16	-81.12	-40.69
Rohn-LE32	-2.34	123.74	-488.34	464.28	103.05	88.19	-57.78
Rohn-LF1P	3.00	-26.22	-1068.01	-37.51	118.36	-6.37	-94.98
Rohn-LF11	8.73	429.36	-179.15	762.54	1675.77	119.05	149.48
Rohn-LF12	-2.63	-464.28	-103.03	-783.90	1734.10	-124.67	162.91
Rohn-LF2P	3.03	37.50	-118.36	27.90	1574.38	6.54	145.65
Rohn-LF21	8.19	-762.46	-1675.81	-913.92	-286.70	-167.43	-196.00
Rohn-LF22	-2.07	783.81	-1734.14	945.86	-355.88	172.75	-208.74
Rohn-LG1P	3.00	-27.90	-1574.38	-24.59	-49.22	-5.25	-162.40
Rohn-LG11	8.88	913.91	286.72	1011.26	2001.10	192.28	228.50
Rohn-LG12	-2.78	-945.85	355.90	-1022.87	2034.17	-196.63	238.71
Rohn-LG2P	3.02	24.59	49.23	12.31	1824.85	3.69	187.47
Rohn-LG21	8.17	-1011.17	-2001.15	-1103.53	-415.81	-211.20	-241.39
Rohn-LG22	-2.05	1022.77	-2034.22	1108.32	-425.93	212.84	-245.70
Rohn-LH1P	3.01	-12.32	-1824.85	0.45	-117.06	-1.19	-194.27
Rohn-LH11	8.87	1103.52	415.83	1239.73	2389.94	234.02	280.21
Rohn-LH12	-2.77	-1108.31	425.95	-1242.38	2397.29	-234.76	281.95
Rohn-LH2P	3.01	-0.46	117.06	-1.95	2324.09	-0.24	244.24
Rohn-LH21	7.83	-1239.60	-2390.01	-1447.21	-620.36	-268.32	-300.63
Rohn-LH22	-1.72	1242.24	-2397.37	1451.87	-624.69	269.05	-301.80
Rohn-LI1P	3.01	1.94	-2324.09	-8.08	-121.90	-0.61	-244.68
Rohn-LI11	8.75	1447.19	620.38	1865.41	3695.51	330.84	431.04
Rohn-LI12	-2.64	-1451.86	624.71	-1852.56	3674.35	-330.03	429.36
Rohn-LI2P	3.01	8.08	121.90	52.88	5324.52	6.10	544.85
Rohn-LI21	7.43	-1865.23	-3695.61	-1916.17	1402.86	-377.65	-228.98
Rohn-LI22	-1.33	1852.38	-3674.44	1866.46	1497.50	371.40	-217.41
Rohn-H1P	0.20	2.23	0.09	3.04	-1.06	0.70	-0.13
Rohn-H11	-0.06	0.09	-1.04	-0.02	1.20	0.01	0.02
Rohn-H12	0.38	-3.06	1.03	-3.30	-0.06	-0.85	0.13
Rohn-H2P	-0.52	6.64	-1.92	6.91	-3.48	1.53	-0.61
Rohn-H21	-0.11	1.19	-3.21	0.06	-0.08	0.14	-0.37

Rohn-H22	0.15	-6.69	0.48	-6.18	-1.10	-1.45	-0.07
SNB-LA1P	-0.03	4.06	47.60	14.54	-13.27	3.72	6.86
SNB-LA11	0.27	50.83	-13.88	13.53	17.92	12.86	0.81
SNB-LA12	-0.28	-54.96	-26.55	-21.96	-5.14	-15.37	-6.33
SNB-LA2P	-0.03	-14.54	13.27	-19.66	35.33	-6.84	9.71
SNB-LA21	0.27	-13.53	-17.92	-7.54	-42.44	-4.21	-12.06
SNB-LA22	-0.28	21.96	5.14	18.04	-13.29	7.99	-1.63
SNB-LA3P	-0.03	19.66	-35.33	16.19	-33.70	7.17	-13.80
SNB-LA31	0.27	7.54	42.44	9.56	71.64	3.42	22.80
SNB-LA32	-0.28	-18.04	13.29	-18.21	47.71	-7.24	12.19
SNB-LA4P	-0.03	-16.19	33.70	-10.43	101.17	-5.32	26.96
SNB-LA41	0.27	-9.56	-71.64	-1.23	-63.61	-2.16	-27.03
SNB-LA42	-0.28	18.21	-47.71	8.39	-46.78	5.32	-18.88
SNB-LB1P	-0.06	9.58	153.61	4.63	45.03	2.84	39.70
SNB-LB11	3.23	89.71	74.36	48.42	101.68	27.60	35.18
SNB-LB12	-3.03	-95.36	60.94	-51.68	94.64	-29.38	31.09
SNB-LB2P	-0.06	-4.63	-45.03	-2.68	112.04	-1.46	13.39
SNB-LB21	3.22	-48.42	-101.68	-39.54	-2.33	-17.58	-20.79
SNB-LB22	-3.02	51.68	-94.64	41.74	1.99	18.67	-18.52
SNB-LB3P	-0.06	2.68	-112.04	2.19	-40.47	0.97	-30.48
SNB-LB31	3.23	39.54	2.33	59.52	190.98	19.79	38.63
SNB-LB32	-3.03	-41.75	-1.99	-59.80	188.36	-20.29	37.24
SNB-LB4P	-0.06	-2.19	40.47	-0.19	499.26	-0.47	107.88
SNB-LB41	3.22	-59.52	-190.98	-39.08	56.96	-19.70	-26.78
SNB-LB42	-3.02	59.80	-188.36	41.82	58.57	20.31	-25.93
SNB-LC1P	0.03	0.19	-56.54	0.30	175.10	0.07	17.79
SNB-LC11	8.18	158.46	-28.60	68.07	180.58	33.98	22.80
SNB-LC12	-8.11	-160.45	-29.89	-67.92	180.33	-34.26	22.57
SNB-LC2P	0.03	-0.30	-175.10	0.96	75.70	0.10	-14.87
SNB-LC21	8.16	-68.07	-180.58	43.44	337.65	-3.68	23.49
SNB-LC22	-8.09	67.92	-180.33	-43.81	336.35	3.60	23.33
SNB-LC3P	0.03	-0.96	-75.70	-0.35	551.86	-0.20	71.47
SNB-LC31	8.16	-43.44	-337.65	-41.33	-18.76	-12.72	-53.46
SNB-LC32	-8.09	43.81	-336.35	45.59	-15.96	13.41	-52.85
SNB-LD1P	-0.03	0.45	52.98	2.93	678.99	0.51	109.88
SNB-LD11	10.68	272.21	-5.76	2.25	544.35	41.17	80.79
SNB-LD12	-10.53	-276.65	-9.01	-3.21	540.41	-41.98	79.71
SNB-LD2P	-0.03	-2.93	-678.98	-0.16	84.82	-0.46	-88.94
SNB-LD21	10.68	-2.24	-544.35	319.10	831.53	47.38	42.94
SNB-LD22	-10.53	3.20	-540.41	-316.38	833.30	-46.84	43.80
SNB-LD3P	-0.03	0.16	-84.82	-0.74	1488.45	-0.09	210.76
SNB-LD31	10.52	-319.08	-831.54	-391.12	294.00	-106.51	-80.62
SNB-LD32	-10.37	316.36	-833.31	393.36	295.91	106.44	-80.60
SNB-LE1P	-0.29	1.36	-422.39	9.73	1053.58	1.66	94.75
SNB-LE11	21.66	610.31	-178.89	204.74	1183.21	122.26	150.65
SNB-LE12	-21.28	-612.88	-182.10	-205.86	1171.39	-122.81	148.39
SNB-LE2P	-0.29	-9.73	-1053.57	-6.33	480.94	-2.40	-85.71
SNB-LE21	21.59	-204.73	-1183.22	398.36	1638.65	28.96	68.11
SNB-LE22	-21.21	205.85	-1171.39	-384.44	1653.84	-26.71	72.15
SNB-LE3P	-0.29	6.33	-480.94	4.60	2759.18	1.64	342.04
SNB-LE31	21.44	-398.33	-1638.66	-863.17	-391.41	-189.21	-304.48
SNB-LE32	-21.06	384.42	-1653.85	850.80	-403.93	185.27	-308.64
SNB-LF1P	-0.02	-4.47	-1754.14	-1.29	-125.50	-0.58	-187.96
SNB-LF11	37.82	1449.53	302.18	1595.47	3117.53	304.17	341.58
SNB-LF12	-37.80	-1438.19	313.85	-1580.95	3127.27	-301.59	343.72
SNB-LF2P	-0.02	1.29	125.50	3.06	3411.64	0.44	353.74
SNB-LF21	36.56	-1595.36	-3117.61	-1686.97	-1116.61	-327.86	-422.92
SNB-LF22	-36.55	1580.83	-3127.34	1676.41	-1126.10	325.35	-424.84
SNB-LG1P	0.27	-2.99	-2259.24	0.16	219.94	-0.28	-203.94
SNB-LG11	62.34	2683.98	694.74	2771.02	5737.04	544.90	642.44
SNB-LG12	-62.67	-2673.43	704.18	-2756.90	5744.80	-542.44	644.15
SNB-LG2P	0.27	-0.16	-219.94	1.90	5793.94	0.17	557.47
SNB-LG21	60.51	-2770.82	-5737.16	-2447.94	-1394.08	-521.26	-712.27
SNB-LG22	-60.84	2756.70	-5744.92	2446.40	-1396.99	519.70	-713.34
SNB-LH1P	0.09	-1.77	-4072.33	4.17	-130.26	0.24	-420.35
SNB-LH11	60.52	3595.34	881.04	3271.25	6339.78	685.84	721.19
SNB-LH12	-60.71	-3594.67	883.33	-3266.35	6337.66	-685.29	721.20
SNB-LH2P	0.09	-4.17	130.27	-1.98	6729.34	-0.62	686.17
SNB-LH21	57.77	-3270.98	-6339.95	-3362.52	-1723.28	-662.52	-805.29

SNB-LH22	-57.95	3266.08	-6337.83	3365.88	-1718.94	662.36	-804.64
SNB-LI1P	0.00	2.06	-4855.95	8.42	-42.46	1.05	-489.92
SNB-LI11	20.88	4804.76	1055.28	5323.17	9647.96	1011.59	1069.04
SNB-LI12	-21.01	-4808.25	1050.84	-5317.99	9641.07	-1011.42	1067.91
SNB-LI2P	-0.00	-8.42	42.46	-2.05	12995.33	-1.05	1304.09
SNB-LI21	16.77	-5322.69	-9648.23	-5395.56	2622.10	-1070.50	-701.74
SNB-LI22	-16.90	5317.51	-9641.34	5403.45	2629.73	1070.77	-700.29
SNB-H1aP	-1.76	29.58	66.76	113.70	-0.26	70.92	32.91
SNB-H1bP	-1.76	-113.70	0.26	-19.39	34.93	-65.87	17.42
SNB-H1cP	-2.06	39.61	-35.72	101.48	-1.63	69.83	-18.49
SNB-H1dP	-2.06	-101.47	1.63	-33.67	35.22	-66.89	18.24
SNB-H1eP	6.21	31.83	-34.77	107.27	-2.04	68.84	-18.22
SNB-H1fP	6.21	-107.27	2.04	-29.98	-66.57	-67.93	-31.94
SNB-H2aP	-7.55	151.34	53.28	113.51	2.64	97.99	20.69
SNB-H2bP	-7.55	-113.51	-2.64	8.72	20.25	-38.77	6.52
SNB-H2cP	0.64	86.21	-25.30	98.25	3.58	68.25	-8.04
SNB-H2dP	0.63	-98.25	-3.58	-86.92	24.90	-68.51	7.89
SNB-H2eP	6.70	-11.69	-19.97	115.08	1.34	38.25	-6.89
SNB-H2fP	6.70	-115.08	-1.34	-151.10	-53.28	-98.48	-20.21
SNB-H3aP	-5.99	258.97	34.74	153.64	-3.93	121.91	9.11
SNB-H3bP	-5.98	-153.64	3.93	29.18	11.76	-36.77	4.64
SNB-H3cP	0.03	128.63	-20.01	140.42	10.62	79.50	-2.78
SNB-H3dP	0.03	-140.42	-10.62	-128.12	19.89	-79.35	2.74
SNB-H3eP	5.91	-29.52	-11.51	153.74	-3.91	36.70	-4.56
SNB-H3fP	5.91	-153.74	3.91	-259.11	-34.83	-121.98	-9.13
SNB-H4aP	-6.55	352.98	17.57	245.38	-15.09	147.16	0.61
SNB-H4bP	-6.55	-245.38	15.09	-32.16	4.36	-68.26	4.78
SNB-H4cP	-0.09	209.06	-10.54	231.96	32.70	108.47	5.45
SNB-H4dP	-0.10	-231.96	-32.70	-209.02	10.38	-108.46	-5.49
SNB-H4eP	6.62	32.50	-4.31	245.17	-15.28	68.29	-4.82
SNB-H4fP	6.63	-245.17	15.28	-353.04	-17.50	-147.12	-0.54
SNB-H5aP	-10.26	621.17	26.99	320.62	-24.55	198.41	0.52
SNB-H5bP	-10.25	-320.62	24.56	126.17	0.73	-40.96	5.33
SNB-H5cP	-0.34	273.03	-19.90	298.25	54.96	120.35	7.39
SNB-H5dP	-0.35	-298.25	-54.96	-272.64	19.67	-120.27	-7.44
SNB-H5eP	10.57	-125.30	-0.77	319.86	-24.62	40.99	-5.35
SNB-H5fP	10.58	-319.86	24.62	-621.84	-26.71	-198.39	-0.44
SNB-H6aP	-47.71	607.81	8.71	521.15	-23.81	207.98	-2.77
SNB-H6bP	-47.70	-521.16	23.78	-131.09	-8.19	-120.16	2.87
SNB-H6cP	-0.13	479.18	-15.88	415.69	45.44	164.86	5.45
SNB-H6dP	-0.15	-415.69	-45.44	-479.73	15.99	-164.96	-5.43
SNB-H6eP	47.83	131.83	8.43	520.94	-22.46	120.25	-2.60
SNB-H6fP	47.84	-520.93	22.49	-607.88	-8.97	-207.95	2.50
SNB-H7aP	-42.87	690.00	-7.73	757.87	-29.86	236.97	-6.14
SNB-H7bP	-42.86	-757.87	29.83	-512.30	-16.67	-207.89	2.14
SNB-H7cP	0.03	703.50	-12.62	667.17	53.72	224.35	6.73
SNB-H7dP	-0.01	-667.17	-53.72	-703.45	12.76	-224.34	-6.70
SNB-H7eP	42.85	512.38	16.89	758.03	-28.70	207.93	-1.95
SNB-H7fP	42.87	-758.03	28.73	-690.18	7.44	-237.03	5.94
SNB-H8aP	-11.92	1000.85	-13.65	890.75	-32.44	278.56	-6.78
SNB-H8bP	-11.90	-890.75	32.43	-598.81	-8.00	-219.36	3.59
SNB-H8cP	-0.08	837.98	5.08	875.01	63.74	252.27	10.14
SNB-H8dP	-0.12	-875.01	-63.74	-838.49	-5.15	-252.35	-10.15
SNB-H8eP	12.01	599.34	7.92	890.58	-32.23	219.41	-3.59
SNB-H8fP	12.03	-890.58	32.24	-1000.91	13.84	-278.55	6.79
SNB-H9aP	-29.02	1098.32	-18.90	1039.56	-38.25	286.11	-7.63
SNB-H9bP	-29.00	-1039.56	38.22	-786.04	8.02	-244.32	6.18
SNB-H9cP	-0.00	1025.15	25.99	991.73	75.13	269.93	13.53
SNB-H9dP	-0.05	-991.73	-75.13	-1025.20	-26.01	-269.94	-13.54
SNB-H9eP	29.04	786.12	-8.05	1039.51	-38.19	244.32	-6.20
SNB-H9fP	29.06	-1039.51	38.23	-1098.41	18.99	-286.12	7.67

Equilibrium Joint Positions and Rotations for Load Case "4: 1.2D + 1.0Dg + 1.0E":

Joint Label	X-Displ (ft)	Y-Displ (ft)	Z-Displ (ft)	X-Rot (deg)	Y-Rot (deg)	Z-Rot (deg)	X-Pos (ft)	Y-Pos (ft)	Z-Pos (ft)
RohnAP	0.1395	9.999e-005	-0.01534	0.0000	0.0796	-0.0008	4.472	9.999e-005	180
RohnBP	0.1115	0.0001227	-0.01606	0.0000	0.0787	-0.0004	5.233	0.0001227	160
RohnCP	0.08464	0.0001146	-0.01586	-0.0000	0.0731	-0.0003	5.994	0.0001146	140
RohnDP	0.06077	9.869e-005	-0.01484	-0.0000	0.0622	-0.0002	6.756	9.869e-005	120
RohnEP	0.04112	7.468e-005	-0.0125	-0.0001	0.0486	-0.0001	7.522	7.468e-005	99.99
RohnFP	0.02594	4.385e-005	-0.01036	-0.0001	0.0357	-0.0001	8.294	4.385e-005	79.99
RohnGP	0.01443	1.717e-005	-0.008039	-0.0001	0.0270	-0.0001	9.069	1.717e-005	59.99
RohnHP	0.006382	2.553e-006	-0.005609	-0.0000	0.0177	-0.0000	9.847	2.553e-006	39.99
RohnIP	0.001676	-2.973e-006	-0.002694	-0.0000	0.0067	-0.0000	10.63	-2.973e-006	20
RohnJP	0	0	0	0.0000	0.0000	0.0000	11.42	0	0
SNB-AP	0.1395	0.0001679	-0.007763	-0.0000	0.0733	-0.0000	2.472	0.0001679	180
SNB-BP	0.1115	0.0001506	-0.008618	-0.0000	0.0739	-0.0000	3.233	0.0001506	160
SNB-CP	0.08465	0.0001365	-0.009051	-0.0001	0.0680	-0.0000	3.993	0.0001365	140
SNB-DP	0.06078	0.0001173	-0.008817	-0.0001	0.0542	-0.0000	4.756	0.0001173	120
SNB-EP	0.04113	9.182e-005	-0.007665	-0.0001	0.0430	-0.0000	5.522	9.182e-005	99.99
SNB-FP	0.02594	6.015e-005	-0.00683	-0.0001	0.0299	-0.0000	6.294	6.015e-005	79.99
SNB-GP	0.01443	3.151e-005	-0.005452	-0.0001	0.0167	-0.0000	7.069	3.151e-005	59.99
SNB-HP	0.006383	1.221e-005	-0.003919	-0.0000	0.0093	-0.0000	7.847	1.221e-005	40
SNB-IP	0.001676	2.297e-006	-0.001927	-0.0000	0.0008	-0.0000	8.63	2.297e-006	20
SNB-JP	0	0	0	0.0000	0.0000	0.0000	9.415	0	0
RohnA1	0.1394	0.0002078	-0.006378	-0.0007	0.0802	-0.0012	-2.027	-3.752	180
RohnA2	0.1395	0.0002061	-0.006402	0.0003	0.0806	-0.0004	-2.027	3.753	180
RohnB1	0.1115	0.0001693	-0.00572	-0.0000	0.0797	-0.0012	-2.449	-4.435	160
RohnB2	0.1115	0.0001581	-0.005721	-0.0001	0.0799	0.0004	-2.449	4.435	160
RohnC1	0.08457	0.0001775	-0.004993	-0.0002	0.0729	-0.0015	-2.87	-5.117	140
RohnC2	0.08461	0.0001184	-0.005001	0.0001	0.0729	0.0010	-2.87	5.117	140
RohnD1	0.06066	0.0001649	-0.00421	-0.0005	0.0628	-0.0015	-3.287	-5.798	120
RohnD2	0.06069	8.743e-005	-0.00422	0.0004	0.0628	0.0011	-3.287	5.798	120
RohnE1	0.04105	0.0001197	-0.00326	-0.0002	0.0487	-0.0012	-3.699	-6.479	100
RohnE2	0.04108	8.269e-005	-0.00328	0.0000	0.0487	0.0010	-3.699	6.479	100
RohnF1	0.02583	0.0001041	-0.002495	-0.0006	0.0395	-0.0011	-4.108	-7.16	80
RohnF2	0.02586	3.568e-005	-0.002525	0.0004	0.0396	0.0009	-4.108	7.16	80
RohnG1	0.01436	6.258e-005	-0.001828	-0.0002	0.0279	-0.0008	-4.513	-7.842	60
RohnG2	0.01439	1.558e-005	-0.001854	0.0001	0.0279	0.0007	-4.513	7.842	60
RohnH1	0.006314	4.315e-005	-0.001219	-0.0002	0.0186	-0.0005	-4.914	-8.523	40
RohnH2	0.00633	-9.542e-006	-0.001234	0.0001	0.0186	0.0005	-4.914	8.523	40
RohnI1	0.001625	2.444e-005	-0.0005804	-0.0005	0.0091	-0.0003	-5.313	-9.206	20
RohnI2	0.001633	-1.507e-005	-0.0005868	0.0005	0.0092	0.0003	-5.313	9.206	20
RohnJ1	0	0	0	0.0000	0.0000	0.0000	-5.71	-9.89	0
RohnJ2	0	0	0	0.0000	0.0000	0.0000	-5.71	9.89	0
SNB-A1	0.1395	0.0001674	-0.002869	-0.0059	0.0837	-0.0001	-1.027	-2.02	180
SNB-A2	0.1395	0.000169	-0.002873	0.0058	0.0836	0.0001	-1.027	2.021	180
SNB-B1	0.1115	0.0001501	-0.002249	-0.0038	0.0813	-0.0001	-1.449	-2.703	160
SNB-B2	0.1115	0.0001519	-0.002252	0.0037	0.0813	0.0001	-1.449	2.703	160
SNB-C1	0.08464	0.0001347	-0.001689	-0.0042	0.0757	-0.0002	-1.869	-3.384	140
SNB-C2	0.08464	0.0001389	-0.001695	0.0041	0.0757	0.0002	-1.869	3.385	140
SNB-D1	0.06075	0.0001146	-0.001239	-0.0069	0.0670	-0.0003	-2.287	-4.066	120
SNB-D2	0.06075	0.0001205	-0.001248	0.0068	0.0669	0.0003	-2.287	4.066	120
SNB-E1	0.0411	9.169e-005	-0.0009185	-0.0042	0.0506	-0.0003	-2.699	-4.747	100
SNB-E2	0.0411	9.243e-005	-0.000932	0.0041	0.0506	0.0003	-2.699	4.747	100
SNB-F1	0.02591	5.684e-005	-0.0006739	-0.0062	0.0428	-0.0002	-3.108	-5.428	80
SNB-F2	0.02591	6.377e-005	-0.0006894	0.0060	0.0428	0.0002	-3.108	5.428	80
SNB-G1	0.0144	3.964e-005	-0.0004759	-0.0081	0.0328	-0.0003	-3.513	-6.11	60
SNB-G2	0.0144	2.363e-005	-0.0004896	0.0080	0.0328	0.0003	-3.513	6.11	60
SNB-H1	0.00635	2.253e-005	-0.000307	-0.0075	0.0227	-0.0003	-3.914	-6.79	40
SNB-H2	0.00635	2.2e-006	-0.0003166	0.0074	0.0227	0.0003	-3.914	6.791	40
SNB-I1	0.001638	1.657e-005	-0.0001473	-0.0057	0.0122	-0.0002	-4.312	-7.472	20
SNB-I2	0.001638	-1.176e-005	-0.0001516	0.0057	0.0122	0.0002	-4.312	7.472	20
SNB-J1	0	0	0	0.0000	0.0000	0.0000	-4.708	-8.154	0
SNB-J2	0	0	0	0.0000	0.0000	0.0000	-4.708	8.154	0

RohnAaS	0.1325	0.0001007	-0.01558	0.0000	0.0806	-0.0007	4.662	0.0001007	175
RohnAbS	0.1254	0.0001073	-0.01578	0.0002	0.0801	-0.0006	4.852	0.0001073	170
RohnAcS	0.1185	0.0001233	-0.01594	0.0001	0.0800	-0.0005	5.042	0.0001233	165
RohnBaS	0.1047	0.0001237	-0.0161	0.0000	0.0784	-0.0004	5.423	0.0001237	155
RohnBbS	0.09784	0.0001207	-0.01611	-0.0000	0.0769	-0.0003	5.613	0.0001207	150
RohnBcS	0.09122	0.000118	-0.01601	-0.0000	0.0757	-0.0003	5.803	0.000118	145
RohnCaS	0.07641	0.0001098	-0.01566	-0.0000	0.0689	-0.0002	6.247	0.0001098	133.3
RohnCbS	0.06844	0.0001038	-0.01533	-0.0000	0.0677	-0.0002	6.502	0.0001038	126.6
RohnDaS	0.05384	9.338e-005	-0.01421	-0.0001	0.0570	-0.0002	7.011	9.338e-005	113.3
RohnDbS	0.04731	8.405e-005	-0.01339	-0.0001	0.0550	-0.0001	7.267	8.405e-005	106.6
RohnEaS	0.03581	6.432e-005	-0.01185	-0.0001	0.0438	-0.0001	7.779	6.432e-005	93.33
RohnEbS	0.0307	5.348e-005	-0.01113	-0.0001	0.0433	-0.0001	8.037	5.348e-005	86.65
RohnFaS	0.02017	2.666e-005	-0.009248	-0.0001	0.0333	-0.0001	8.682	2.666e-005	69.99
RohnGaS	0.01042	6.567e-006	-0.006861	-0.0000	0.0229	-0.0000	9.458	6.567e-006	49.99
RohnHaS	0.004064	-1.584e-006	-0.004186	-0.0000	0.0136	-0.0000	10.24	-1.584e-006	30
RohnIaS	0.0008892	-2.634e-006	-0.001371	0.0000	0.0051	-0.0000	11.03	-2.634e-006	9.999
SNB-AaS	0.1325	0.000163	-0.008013	-0.0001	0.0823	-0.0000	2.662	0.000163	175
SNB-AbS	0.1254	0.0001552	-0.008247	-0.0000	0.0793	-0.0000	2.852	0.0001552	170
SNB-AcS	0.1185	0.0001545	-0.008447	-0.0000	0.0814	-0.0000	3.042	0.0001545	165
SNB-BaS	0.1047	0.0001479	-0.008776	-0.0000	0.0798	-0.0000	3.422	0.0001479	155
SNB-BbS	0.09785	0.0001445	-0.008904	-0.0000	0.0763	-0.0000	3.612	0.0001445	150
SNB-BcS	0.09123	0.0001409	-0.008993	-0.0000	0.0772	-0.0000	3.802	0.0001409	145
SNB-CaS	0.07643	0.0001305	-0.009047	-0.0001	0.0698	-0.0000	4.246	0.0001305	133.3
SNB-CbS	0.06845	0.0001241	-0.008958	-0.0001	0.0696	-0.0000	4.501	0.0001241	126.7
SNB-DaS	0.05385	0.0001101	-0.008525	-0.0001	0.0589	-0.0000	5.011	0.0001101	113.3
SNB-DbS	0.04731	0.0001013	-0.008123	-0.0001	0.0561	-0.0000	5.267	0.0001013	106.7
SNB-EaS	0.03582	8.173e-005	-0.007441	-0.0001	0.0451	-0.0000	5.779	8.173e-005	93.33
SNB-EbS	0.0307	7.077e-005	-0.007154	-0.0001	0.0446	-0.0000	6.037	7.077e-005	86.65
SNB-FaS	0.02018	4.412e-005	-0.00618	-0.0001	0.0375	-0.0000	6.682	4.412e-005	69.99
SNB-GaS	0.01043	1.991e-005	-0.004719	-0.0001	0.0277	-0.0000	7.458	1.991e-005	50
SNB-HaS	0.004065	5.35e-006	-0.002953	-0.0000	0.0173	-0.0000	8.239	5.35e-006	30
SNB-IaS	0.0008892	-1.31e-007	-0.0009875	-0.0000	0.0066	-0.0000	9.022	-1.31e-007	9.999
SNB-WL-A1S	0.1395	0.0001661	-0.005489	-0.0029	0.0784	0.0000	0.7227	-1.01	180
SNB-WL-A2S	0.1395	0.0001682	-0.003042	-0.0001	0.0837	-0.0000	-1.027	0.0001682	180
SNB-WL-A3S	0.1395	0.0001701	-0.005491	0.0028	0.0784	-0.0000	0.7227	1.01	180
SNB-WL-B1S	0.1115	0.0001493	-0.00569	-0.0014	0.0768	-0.0000	0.8918	-1.351	160
SNB-WL-B2S	0.1115	0.000151	-0.002499	-0.0000	0.0813	-0.0000	-1.449	0.000151	160
SNB-WL-B3S	0.1115	0.0001525	-0.005692	0.0014	0.0768	-0.0000	0.8918	1.352	160
SNB-WL-C1S	0.08464	0.0001353	-0.005859	-0.0014	0.0706	-0.0000	1.062	-1.692	140
SNB-WL-C2S	0.08465	0.0001368	-0.002174	-0.0000	0.0757	-0.0000	-1.869	0.0001368	140
SNB-WL-C3S	0.08464	0.0001381	-0.005862	0.0013	0.0706	0.0000	1.062	1.692	140
SNB-WL-D1S	0.06076	0.0001159	-0.006127	-0.0029	0.0595	-0.0001	1.235	-2.033	120
SNB-WL-D2S	0.06077	0.0001176	-0.00233	-0.0001	0.0670	-0.0000	-2.287	0.0001176	120
SNB-WL-D3S	0.06076	0.000119	-0.006131	0.0028	0.0595	0.0001	1.235	2.033	120
SNB-WL-E1S	0.04111	9.092e-005	-0.005058	-0.0015	0.0457	-0.0001	1.411	-2.373	99.99
SNB-WL-E2S	0.04112	9.206e-005	-0.001684	-0.0001	0.0506	-0.0000	-2.699	9.206e-005	100
SNB-WL-E3S	0.04111	9.296e-005	-0.005064	0.0014	0.0457	0.0001	1.411	2.373	99.99
SNB-WL-F1S	0.02592	5.89e-005	-0.005276	-0.0027	0.0356	-0.0001	1.593	-2.714	79.99
SNB-WL-F2S	0.02593	6.03e-005	-0.002159	-0.0001	0.0428	-0.0000	-3.108	6.03e-005	80
SNB-WL-F3S	0.02592	6.15e-005	-0.005284	0.0025	0.0356	0.0001	1.593	2.714	79.99
SNB-WL-G1S	0.01442	3.018e-005	-0.005729	-0.0040	0.0246	-0.0001	1.778	-3.055	59.99
SNB-WL-G2S	0.01442	3.163e-005	-0.003201	-0.0001	0.0328	-0.0000	-3.513	3.163e-005	60
SNB-WL-G3S	0.01442	3.293e-005	-0.005736	0.0039	0.0246	0.0001	1.778	3.055	59.99
SNB-WL-H1S	0.006369	1.123e-005	-0.006062	-0.0034	0.0154	-0.0001	1.967	-3.395	39.99
SNB-WL-H2S	0.006371	1.236e-005	-0.004253	-0.0000	0.0227	-0.0000	-3.914	1.236e-005	40
SNB-WL-H3S	0.006369	1.338e-005	-0.006067	0.0033	0.0154	0.0001	1.967	3.395	39.99
SNB-WL-I1S	0.001661	1.668e-006	-0.006404	-0.0027	0.0062	-0.0001	2.159	-3.736	19.99
SNB-WL-I2S	0.001662	2.405e-006	-0.00548	-0.0000	0.0122	0.0000	-4.312	2.405e-006	19.99
SNB-WL-I3S	0.001661	3.085e-006	-0.006406	0.0026	0.0062	0.0001	2.159	3.736	19.99
RohnAa1	0.1324	0.0001618	-0.006217	-0.0002	0.0800	-0.0012	-2.133	-3.923	175
RohnAa2	0.1325	0.0002175	-0.006232	-0.0003	0.0806	-0.0002	-2.132	3.923	175
RohnAb1	0.1254	0.000172	-0.006054	-0.0001	0.0806	-0.0012	-2.238	-4.094	170
RohnAb2	0.1255	0.0001778	-0.006059	-0.0002	0.0808	0.0000	-2.238	4.094	170
RohnAc1	0.1184	0.0001518	-0.005884	-0.0000	0.0796	-0.0012	-2.344	-4.264	165
RohnAc2	0.1185	0.000188	-0.005887	-0.0001	0.0797	0.0002	-2.344	4.264	165
RohnBa1	0.1045	0.0001518	-0.005546	-0.0003	0.0781	-0.0013	-2.554	-4.605	155
RohnBa2	0.1046	0.0001698	-0.005549	0.0002	0.0781	0.0005	-2.554	4.606	155
RohnBb1	0.09784	0.0001399	-0.005381	-0.0001	0.0772	-0.0014	-2.66	-4.776	150
RohnBb2	0.09788	0.0001741	-0.005387	0.0000	0.0772	0.0007	-2.66	4.776	150

RohnBc1	0.09106	0.0001449	-0.005179	0.0003	0.0765	-0.0015	-2.765	-4.947	145
RohnBc2	0.0911	0.0001605	-0.005186	-0.0005	0.0765	0.0009	-2.765	4.947	145
RohnCa1	0.07621	0.0001067	-0.004759	-0.0007	0.0708	-0.0015	-3.009	-5.344	133.3
RohnCa2	0.07625	0.0001758	-0.00477	0.0005	0.0708	0.0011	-3.009	5.344	133.3
RohnCb1	0.06817	0.0001023	-0.0045	0.0006	0.0668	-0.0015	-3.148	-5.571	126.7
RohnCb2	0.0682	0.0001644	-0.00451	-0.0007	0.0668	0.0011	-3.148	5.572	126.7
RohnDa1	0.05351	6.428e-005	-0.003909	-0.0007	0.0598	-0.0014	-3.425	-6.025	113.3
RohnDa2	0.05354	0.0001739	-0.003922	0.0005	0.0598	0.0011	-3.425	6.025	113.3
RohnDb1	0.04688	8.018e-005	-0.003564	0.0004	0.0531	-0.0013	-3.563	-6.252	106.7
RohnDb2	0.04691	0.0001411	-0.00358	-0.0006	0.0532	0.0010	-3.563	6.252	106.7
RohnEa1	0.0355	7.586e-005	-0.002997	-0.0003	0.0459	-0.0012	-3.836	-6.706	93.34
RohnEa2	0.03553	0.0001063	-0.003021	0.0001	0.0459	0.0010	-3.836	6.706	93.34
RohnEb1	0.03045	8.773e-005	-0.002739	0.0003	0.0410	-0.0011	-3.973	-6.933	86.66
RohnEb2	0.03048	7.346e-005	-0.002765	-0.0005	0.0410	0.0009	-3.972	6.933	86.66
RohnFa1	0.0193	-1.761e-005	-0.002142	-0.0001	0.0324	-0.0009	-4.311	-7.501	70
RohnFa2	0.01933	0.0001241	-0.002169	-0.0001	0.0324	0.0007	-4.311	7.501	70
RohnGa1	0.009613	-4.073e-005	-0.00151	-0.0001	0.0230	-0.0006	-4.714	-8.182	50
RohnGa2	0.009631	9.377e-005	-0.00153	-0.0001	0.0230	0.0006	-4.714	8.182	50
RohnHa1	0.003177	-7.695e-005	-0.0008848	0.0000	0.0132	-0.0004	-5.115	-8.864	30
RohnHa2	0.003187	9.613e-005	-0.0008955	-0.0001	0.0133	0.0003	-5.115	8.864	30
RohnIa1	0.0001649	-9.868e-005	-0.000283	-0.0001	0.0047	-0.0001	-5.512	-9.548	10
RohnIa2	0.0001681	0.0001018	-0.0002862	0.0000	0.0048	0.0001	-5.512	9.548	10
SNB-Aa1	0.1324	0.000139	-0.00271	0.0015	0.0794	-0.0002	-1.133	-2.191	175
SNB-Aa2	0.1324	0.0001842	-0.002715	-0.0016	0.0795	0.0002	-1.133	2.191	175
SNB-Ab1	0.1254	0.0001565	-0.002553	-0.0006	0.0810	-0.0002	-1.238	-2.361	170
SNB-Ab2	0.1254	0.0001583	-0.002557	0.0005	0.0810	0.0002	-1.238	2.362	170
SNB-Ac1	0.1184	0.0001399	-0.002396	0.0010	0.0791	-0.0002	-1.344	-2.532	165
SNB-Ac2	0.1184	0.0001666	-0.0024	-0.0011	0.0791	0.0002	-1.344	2.532	165
SNB-Ba1	0.1046	0.0001234	-0.002095	0.0011	0.0781	-0.0002	-1.554	-2.873	155
SNB-Ba2	0.1046	0.0001725	-0.002099	-0.0012	0.0781	0.0002	-1.554	2.873	155
SNB-Bb1	0.09781	0.000152	-0.001951	-0.0005	0.0777	-0.0002	-1.659	-3.043	150
SNB-Bb2	0.09781	0.0001376	-0.001956	0.0005	0.0777	0.0002	-1.659	3.044	150
SNB-Bc1	0.0911	0.0001224	-0.001814	0.0010	0.0749	-0.0002	-1.765	-3.214	145
SNB-Bc2	0.0911	0.0001597	-0.001819	-0.0011	0.0749	0.0002	-1.765	3.214	145
SNB-Ca1	0.07617	0.000126	-0.001521	0.0005	0.0711	-0.0003	-2.009	-3.611	133.3
SNB-Ca2	0.07617	0.0001349	-0.001528	-0.0006	0.0711	0.0003	-2.009	3.612	133.3
SNB-Cb1	0.06815	0.0001057	-0.001365	0.0015	0.0649	-0.0003	-2.148	-3.839	126.7
SNB-Cb2	0.06816	0.0001424	-0.001373	-0.0016	0.0649	0.0003	-2.148	3.839	126.7
SNB-Da1	0.05348	7.847e-005	-0.001107	0.0013	0.0596	-0.0004	-2.425	-4.293	113.3
SNB-Da2	0.05348	0.0001416	-0.001118	-0.0015	0.0596	0.0004	-2.425	4.293	113.3
SNB-Db1	0.04687	8.815e-005	-0.0009918	0.0008	0.0522	-0.0003	-2.563	-4.52	106.7
SNB-Db2	0.04687	0.0001151	-0.001004	-0.0010	0.0522	0.0003	-2.563	4.52	106.7
SNB-Ea1	0.03555	4.917e-005	-0.0008197	0.0005	0.0458	-0.0003	-2.836	-4.974	93.34
SNB-Ea2	0.03555	0.0001147	-0.0008341	-0.0007	0.0458	0.0003	-2.836	4.974	93.34
SNB-Eb1	0.03048	6.85e-005	-0.0007357	0.0014	0.0400	-0.0002	-2.972	-5.201	86.66
SNB-Eb2	0.03048	7.413e-005	-0.0007509	-0.0016	0.0400	0.0002	-2.972	5.201	86.66
SNB-Fa1	0.01926	2.815e-006	-0.0005509	0.0035	0.0306	-0.0002	-3.311	-5.769	70
SNB-Fa2	0.01926	8.764e-005	-0.0005661	-0.0036	0.0306	0.0002	-3.311	5.769	70
SNB-Ga1	0.009612	-4.084e-005	-0.0003708	0.0038	0.0208	-0.0003	-3.714	-6.45	50
SNB-Ga2	0.009612	8.264e-005	-0.0003827	-0.0039	0.0208	0.0003	-3.714	6.45	50
SNB-Ha1	0.003192	-8.601e-005	-0.0002066	0.0032	0.0115	-0.0002	-4.114	-7.131	30
SNB-Ha2	0.003191	9.857e-005	-0.0002137	-0.0033	0.0115	0.0002	-4.114	7.131	30
SNB-Ia1	0.0001491	-8.953e-005	-5.797e-005	0.0013	0.0040	-0.0001	-4.511	-7.813	10
SNB-Ia2	0.0001485	9.044e-005	-6.015e-005	-0.0013	0.0040	0.0001	-4.511	7.813	10

Joint Support Reactions for Load Case "4: 1.2D + 1.0Dg + 1.0E":

Joint Label	X Force (kips)	X Usage % (kips)	Y Force (kips)	Y Usage % (kips)	Z Force (kips)	Z Usage % (kips)	Comp. Usage %	Uplift Usage %	Result. Force (kips)	Result. Usage % (ft-k)	X X-M. Usage % (ft-k)	Y Y-M. Usage % (ft-k)	Z Z-M. Usage % (ft-k)	Max. Usage %			
RohnJP	-2.52	0.0	0.00	0.0	41.46	0.0	0.0	0.0	41.54	0.0	-0.00	0.0	-0.6	0.0	0.0	0.0	
SNB-JP	-3.04	0.0	0.00	0.0	49.20	0.0	0.0	0.0	49.29	0.0	-0.00	0.0	-1.2	0.0	-0.00	0.0	0.0
RohnJ1	0.11	0.0	0.32	0.0	8.90	0.0	0.0	0.0	8.91	0.0	-0.09	0.0	0.1	0.0	-0.00	0.0	0.0
RohnJ2	0.10	0.0	-0.33	0.0	8.99	0.0	0.0	0.0	9.00	0.0	0.10	0.0	0.1	0.0	0.00	0.0	0.0
SNB-J1	-0.46	0.0	-0.54	0.0	2.94	0.0	0.0	0.0	3.02	0.0	-0.03	0.0	0.2	0.0	-0.01	0.0	0.0
SNB-J2	-0.45	0.0	0.54	0.0	3.04	0.0	0.0	0.0	3.12	0.0	0.03	0.0	0.2	0.0	0.01	0.0	0.0

Joint Displacements, Loads and Member Forces on Joints for Load Case "4: 1.2D + 1.0Dg + 1.0E":

Joint Label	X External Load (kips)	Y External Load (kips)	Z External Load (kips)	X Member Force (kips)	Y Member Force (kips)	Z Member Force (kips)	X Disp. (ft)	Y Disp. (ft)	Z Disp. (ft)
RohnAP	0.0984	0.0000	-0.3543	-0.0984	0.0000	0.3543	0.1395	0.0001	-0.0153
RohnBP	0.1982	0.0000	-1.2721	-0.1982	0.0000	1.2721	0.1115	0.0001	-0.0161
RohnCP	0.0454	0.0000	-0.5121	-0.0454	0.0000	0.5121	0.0846	0.0001	-0.0159
RohnDP	0.0371	0.0000	-0.6208	-0.0371	0.0000	0.6208	0.0608	0.0001	-0.0148
RohnEP	0.0369	0.0000	-0.7694	-0.0369	0.0000	0.7694	0.0411	0.0001	-0.0125
RohnFP	0.0403	0.0000	-1.0436	-0.0403	0.0000	1.0436	0.0259	0.0000	-0.0104
RohnGP	0.0389	0.0000	-1.3901	-0.0389	0.0000	1.3901	0.0144	0.0000	-0.0080
RohnHP	0.0253	0.0000	-1.3837	-0.0253	0.0000	1.3837	0.0064	0.0000	-0.0056
RohnIP	0.0172	0.0000	-1.5524	-0.0172	0.0000	1.5524	0.0017	-0.0000	-0.0027
RohnJP	0.0000	0.0000	-0.8390	2.5204	-0.0032	-40.6196	0.0000	0.0000	0.0000
SNB-AP	0.0517	0.0000	-0.1863	-0.0517	0.0000	0.1863	0.1395	0.0002	-0.0078
SNB-BP	0.0628	0.0000	-0.4033	-0.0628	0.0000	0.4033	0.1115	0.0002	-0.0086
SNB-CP	0.0454	0.0000	-0.5121	-0.0454	0.0000	0.5121	0.0846	0.0001	-0.0091
SNB-DP	0.0371	0.0000	-0.6208	-0.0371	0.0000	0.6208	0.0608	0.0001	-0.0088
SNB-EP	0.0369	0.0000	-0.7694	-0.0369	0.0000	0.7694	0.0411	0.0001	-0.0077
SNB-FP	0.0403	0.0000	-1.0436	-0.0403	0.0000	1.0436	0.0259	0.0001	-0.0068
SNB-GP	0.0355	0.0000	-1.2701	-0.0355	0.0000	1.2701	0.0144	0.0000	-0.0055
SNB-HP	0.0253	0.0000	-1.3837	-0.0253	-0.0000	1.3837	0.0064	0.0000	-0.0039
SNB-IP	0.0172	0.0000	-1.5524	-0.0172	-0.0000	1.5524	0.0017	0.0000	-0.0019
SNB-JP	0.0000	0.0000	-0.8390	3.0374	-0.0012	-48.3621	0.0000	0.0000	0.0000
RohnA1	0.0984	0.0000	-0.3543	-0.0984	0.0000	0.3543	0.1394	0.0002	-0.0064
RohnA2	0.1450	0.0000	-0.5223	-0.1450	-0.0000	0.5223	0.1395	0.0002	-0.0064
RohnB1	0.0841	0.0000	-0.5401	-0.0841	0.0000	0.5401	0.1115	0.0002	-0.0057
RohnB2	0.0720	0.0000	-0.4621	-0.0720	-0.0000	0.4621	0.1115	0.0002	-0.0057
RohnC1	0.0454	0.0000	-0.5121	-0.0454	0.0000	0.5121	0.0846	0.0002	-0.0050
RohnC2	0.0454	0.0000	-0.5121	-0.0454	-0.0000	0.5121	0.0846	0.0001	-0.0050
RohnD1	0.0421	0.0000	-0.7048	-0.0421	0.0000	0.7048	0.0607	0.0002	-0.0042
RohnD2	0.0371	0.0000	-0.6208	-0.0371	-0.0000	0.6208	0.0607	0.0001	-0.0042
RohnE1	0.0369	0.0000	-0.7694	-0.0369	0.0000	0.7694	0.0411	0.0001	-0.0033
RohnE2	0.0369	0.0000	-0.7694	-0.0369	-0.0000	0.7694	0.0411	0.0001	-0.0033
RohnF1	0.0403	0.0000	-1.0436	-0.0403	0.0000	1.0436	0.0258	0.0001	-0.0025
RohnF2	0.0471	0.0000	-1.2176	-0.0471	-0.0000	1.2176	0.0259	0.0000	-0.0025
RohnG1	0.0375	0.0000	-1.3421	-0.0375	0.0000	1.3421	0.0144	0.0001	-0.0018
RohnG2	0.0408	0.0000	-1.4573	-0.0408	0.0000	1.4573	0.0144	0.0000	-0.0019
RohnH1	0.0253	0.0000	-1.3837	-0.0253	0.0000	1.3837	0.0063	0.0000	-0.0012
RohnH2	0.0253	0.0000	-1.3837	-0.0253	-0.0000	1.3837	0.0063	-0.0000	-0.0012
RohnI1	0.0172	0.0000	-1.5524	-0.0172	-0.0000	1.5524	0.0016	0.0000	-0.0006
RohnI2	0.0172	0.0000	-1.5524	-0.0172	-0.0000	1.5524	0.0016	-0.0000	-0.0006
RohnJ1	0.0000	0.0000	-0.8390	-0.1072	-0.3234	-8.0602	0.0000	0.0000	0.0000
RohnJ2	0.0000	0.0000	-0.8390	-0.1042	0.3270	-8.1513	0.0000	0.0000	0.0000
SNB-A1	0.0517	0.0000	-0.1863	-0.0517	-0.0000	0.1863	0.1395	0.0002	-0.0029
SNB-A2	0.0517	0.0000	-0.1863	-0.0517	0.0000	0.1863	0.1395	0.0002	-0.0029
SNB-B1	0.0628	0.0000	-0.4033	-0.0628	-0.0000	0.4033	0.1115	0.0002	-0.0022
SNB-B2	0.0628	0.0000	-0.4033	-0.0628	0.0000	0.4033	0.1115	0.0002	-0.0023
SNB-C1	0.0454	0.0000	-0.5121	-0.0454	-0.0000	0.5121	0.0846	0.0001	-0.0017
SNB-C2	0.0454	0.0000	-0.5121	-0.0454	0.0000	0.5121	0.0846	0.0001	-0.0017
SNB-D1	0.0371	0.0000	-0.6208	-0.0371	-0.0000	0.6208	0.0607	0.0001	-0.0012
SNB-D2	0.0371	0.0000	-0.6208	-0.0371	0.0000	0.6208	0.0607	0.0001	-0.0012
SNB-E1	0.0369	0.0000	-0.7694	-0.0369	-0.0000	0.7694	0.0411	0.0001	-0.0009
SNB-E2	0.0369	0.0000	-0.7694	-0.0369	0.0000	0.7694	0.0411	0.0001	-0.0009
SNB-F1	0.0403	0.0000	-1.0436	-0.0403	-0.0000	1.0436	0.0259	0.0001	-0.0007
SNB-F2	0.0403	0.0000	-1.0436	-0.0403	0.0000	1.0436	0.0259	0.0001	-0.0007
SNB-G1	0.0355	0.0000	-1.2701	-0.0355	-0.0000	1.2701	0.0144	0.0000	-0.0005
SNB-G2	0.0355	0.0000	-1.2701	-0.0355	0.0000	1.2701	0.0144	0.0000	-0.0005
SNB-H1	0.0253	0.0000	-1.3837	-0.0253	-0.0000	1.3837	0.0063	0.0000	-0.0003
SNB-H2	0.0253	0.0000	-1.3837	-0.0253	0.0000	1.3837	0.0063	0.0000	-0.0003
SNB-I1	0.0172	0.0000	-1.5524	-0.0172	0.0000	1.5524	0.0016	0.0000	-0.0001
SNB-I2	0.0172	0.0000	-1.5524	-0.0172	0.0000	1.5524	0.0016	-0.0000	-0.0002
SNB-J1	0.0000	0.0000	-0.8390	0.4564	0.5440	-2.0985	0.0000	0.0000	0.0000
SNB-J2	0.0000	0.0000	-0.8390	0.4547	-0.5431	-2.2002	0.0000	0.0000	0.0000
RohnAaS	0.0601	0.0000	-0.2490	-0.0601	0.0000	0.2490	0.1325	0.0001	-0.0156
RohnAbS	0.0390	0.0000	-0.1863	-0.0390	0.0000	0.1863	0.1254	0.0001	-0.0158
RohnAcS	0.0452	0.0000	-0.2502	-0.0452	0.0000	0.2502	0.1185	0.0001	-0.0159

RohnBaS	0.0292	0.0000	-0.2170	-0.0292	0.0000	0.2170	0.1047	0.0001	-0.0161
RohnBbS	0.1346	0.0000	-1.1580	-0.1346	0.0000	1.1580	0.0978	0.0001	-0.0161
RohnBcS	0.0219	0.0000	-0.2170	-0.0219	0.0000	0.2170	0.0912	0.0001	-0.0160
RohnCaS	0.0726	0.0000	-0.9577	-0.0726	0.0000	0.9577	0.0764	0.0001	-0.0157
RohnCbS	0.1145	0.0000	-1.7228	-0.1145	0.0000	1.7228	0.0684	0.0001	-0.0153
RohnDaS	0.0834	0.0000	-1.5191	-0.0834	0.0000	1.5191	0.0538	0.0001	-0.0142
RohnDbS	0.0166	0.0000	-0.3257	-0.0166	0.0000	0.3257	0.0473	0.0001	-0.0134
RohnEaS	0.0200	0.0000	-0.4437	-0.0200	0.0000	0.4437	0.0358	0.0001	-0.0119
RohnEbS	0.0186	0.0000	-0.4437	-0.0186	0.0000	0.4437	0.0307	0.0001	-0.0111
RohnFaS	0.0200	0.0000	-0.5999	-0.0200	0.0000	0.5999	0.0202	0.0000	-0.0092
RohnGaS	0.0153	0.0000	-0.6702	-0.0153	0.0000	0.6702	0.0104	0.0000	-0.0069
RohnHaS	0.0104	0.0000	-0.7135	-0.0104	0.0000	0.7135	0.0041	-0.0000	-0.0042
RohnIaS	0.0059	0.0000	-0.8390	-0.0059	0.0000	0.8390	0.0009	-0.0000	-0.0014
SNB-AaS	0.0450	0.0000	-0.1863	-0.0450	0.0000	0.1863	0.1325	0.0002	-0.0080
SNB-AbS	0.0390	0.0000	-0.1863	-0.0390	0.0000	0.1863	0.1254	0.0002	-0.0082
SNB-AcS	0.0337	0.0000	-0.1863	-0.0337	0.0000	0.1863	0.1185	0.0002	-0.0084
SNB-BaS	0.0292	0.0000	-0.2170	-0.0292	0.0000	0.2170	0.1047	0.0001	-0.0088
SNB-BbS	0.0252	0.0000	-0.2170	-0.0252	0.0000	0.2170	0.0979	0.0001	-0.0089
SNB-BcS	0.0219	0.0000	-0.2170	-0.0219	0.0000	0.2170	0.0912	0.0001	-0.0090
SNB-CaS	0.0224	0.0000	-0.2951	-0.0224	0.0000	0.2951	0.0764	0.0001	-0.0090
SNB-CbS	0.0196	0.0000	-0.2951	-0.0196	0.0000	0.2951	0.0685	0.0001	-0.0090
SNB-DaS	0.0179	0.0000	-0.3257	-0.0179	0.0000	0.3257	0.0538	0.0001	-0.0085
SNB-DbS	0.0166	0.0000	-0.3257	-0.0166	0.0000	0.3257	0.0473	0.0001	-0.0081
SNB-EaS	0.0200	0.0000	-0.4437	-0.0200	0.0000	0.4437	0.0358	0.0001	-0.0074
SNB-EbS	0.0186	0.0000	-0.4437	-0.0186	0.0000	0.4437	0.0307	0.0001	-0.0072
SNB-FaS	0.0200	0.0000	-0.5999	-0.0200	0.0000	0.5999	0.0202	0.0000	-0.0062
SNB-GaS	0.0153	0.0000	-0.6702	-0.0153	0.0000	0.6702	0.0104	0.0000	-0.0047
SNB-HaS	0.0104	0.0000	-0.7135	-0.0104	0.0000	0.7135	0.0041	0.0000	-0.0030
SNB-IaS	0.0059	0.0000	-0.8390	-0.0059	0.0000	0.8390	0.0009	-0.0000	-0.0010
SNB-WL-A1S	0.0517	0.0000	-0.1863	-0.0517	0.0000	0.1863	0.1395	0.0002	-0.0055
SNB-WL-A2S	0.0517	0.0000	-0.1863	-0.0517	0.0000	0.1863	0.1395	0.0002	-0.0030
SNB-WL-A3S	0.0517	0.0000	-0.1863	-0.0517	-0.0000	0.1863	0.1395	0.0002	-0.0055
SNB-WL-B1S	0.0290	0.0000	-0.1863	-0.0290	0.0000	0.1863	0.1115	0.0001	-0.0057
SNB-WL-B2S	0.0290	0.0000	-0.1863	-0.0290	0.0000	0.1863	0.1115	0.0002	-0.0025
SNB-WL-B3S	0.0290	0.0000	-0.1863	-0.0290	-0.0000	0.1863	0.1115	0.0002	-0.0057
SNB-WL-C1S	0.0192	0.0000	-0.2170	-0.0192	0.0000	0.2170	0.0846	0.0001	-0.0059
SNB-WL-C2S	0.0192	0.0000	-0.2170	-0.0192	0.0000	0.2170	0.0846	0.0001	-0.0022
SNB-WL-C3S	0.0192	0.0000	-0.2170	-0.0192	-0.0000	0.2170	0.0846	0.0001	-0.0059
SNB-WL-D1S	0.0176	0.0000	-0.2951	-0.0176	0.0000	0.2951	0.0608	0.0001	-0.0061
SNB-WL-D2S	0.0176	0.0000	-0.2951	-0.0176	0.0000	0.2951	0.0608	0.0001	-0.0023
SNB-WL-D3S	0.0176	0.0000	-0.2951	-0.0176	-0.0000	0.2951	0.0608	0.0001	-0.0061
SNB-WL-E1S	0.0156	0.0000	-0.3257	-0.0156	0.0000	0.3257	0.0411	0.0001	-0.0051
SNB-WL-E2S	0.0156	0.0000	-0.3257	-0.0156	0.0000	0.3257	0.0411	0.0001	-0.0017
SNB-WL-E3S	0.0156	0.0000	-0.3257	-0.0156	-0.0000	0.3257	0.0411	0.0001	-0.0051
SNB-WL-F1S	0.0171	0.0000	-0.4437	-0.0171	0.0000	0.4437	0.0259	0.0001	-0.0053
SNB-WL-F2S	0.0171	0.0000	-0.4437	-0.0171	0.0000	0.4437	0.0259	0.0001	-0.0022
SNB-WL-F3S	0.0171	0.0000	-0.4437	-0.0171	-0.0000	0.4437	0.0259	0.0001	-0.0053
SNB-WL-G1S	0.0168	0.0000	-0.5999	-0.0168	0.0000	0.5999	0.0144	0.0000	-0.0057
SNB-WL-G2S	0.0168	0.0000	-0.5999	-0.0168	0.0000	0.5999	0.0144	0.0000	-0.0032
SNB-WL-G3S	0.0168	0.0000	-0.5999	-0.0168	-0.0000	0.5999	0.0144	0.0000	-0.0057
SNB-WL-H1S	0.0123	0.0000	-0.6702	-0.0123	0.0000	0.6702	0.0064	0.0000	-0.0061
SNB-WL-H2S	0.0123	0.0000	-0.6702	-0.0123	0.0000	0.6702	0.0064	0.0000	-0.0043
SNB-WL-H3S	0.0123	0.0000	-0.6702	-0.0123	-0.0000	0.6702	0.0064	0.0000	-0.0061
SNB-WL-I1S	0.0079	0.0000	-0.7135	-0.0079	0.0000	0.7135	0.0017	0.0000	-0.0064
SNB-WL-I2S	0.0079	0.0000	-0.7135	-0.0079	0.0000	0.7135	0.0017	0.0000	-0.0055
SNB-WL-I3S	0.0079	0.0000	-0.7135	-0.0079	-0.0000	0.7135	0.0017	0.0000	-0.0064
RohnAa1	0.0663	0.0000	-0.2745	-0.0663	0.0000	0.2745	0.1324	0.0002	-0.0062
RohnAa2	0.0730	0.0000	-0.3021	-0.0730	-0.0000	0.3021	0.1325	0.0002	-0.0062
RohnAb1	0.0691	0.0000	-0.3303	-0.0691	0.0000	0.3303	0.1254	0.0002	-0.0061
RohnAb2	0.0390	0.0000	-0.1863	-0.0390	-0.0000	0.1863	0.1255	0.0002	-0.0061
RohnAc1	0.0337	0.0000	-0.1863	-0.0337	0.0000	0.1863	0.1184	0.0002	-0.0059
RohnAc2	0.0337	0.0000	-0.1863	-0.0337	-0.0000	0.1863	0.1185	0.0002	-0.0059
RohnBa1	0.0292	0.0000	-0.2170	-0.0292	0.0000	0.2170	0.1045	0.0002	-0.0055
RohnBa2	0.0292	0.0000	-0.2170	-0.0292	-0.0000	0.2170	0.1046	0.0002	-0.0055
RohnBb1	0.1308	0.0000	-1.1256	-0.1308	0.0000	1.1256	0.0978	0.0001	-0.0054
RohnBb2	0.1308	0.0000	-1.1256	-0.1308	-0.0000	1.1256	0.0979	0.0002	-0.0054
RohnBc1	0.0219	0.0000	-0.2170	-0.0219	0.0000	0.2170	0.0911	0.0001	-0.0052
RohnBc2	0.0219	0.0000	-0.2170	-0.0219	-0.0000	0.2170	0.0911	0.0002	-0.0052
RohnCa1	0.0781	0.0000	-1.0297	-0.0781	0.0000	1.0297	0.0762	0.0001	-0.0048

RohnCa2	0.0817	0.0000	-1.0777	-0.0817	-0.0000	1.0777	0.0762	0.0002	-0.0048
RohnCb1	0.1065	0.0000	-1.6028	-0.1065	0.0000	1.6028	0.0682	0.0001	-0.0045
RohnCb2	0.1065	0.0000	-1.6028	-0.1065	-0.0000	1.6028	0.0682	0.0002	-0.0045
RohnDa1	0.0764	0.0000	-1.3931	-0.0764	0.0000	1.3931	0.0535	0.0001	-0.0039
RohnDa2	0.0764	0.0000	-1.3931	-0.0764	-0.0000	1.3931	0.0535	0.0002	-0.0039
RohnDb1	0.0166	0.0000	-0.3257	-0.0166	0.0000	0.3257	0.0469	0.0001	-0.0036
RohnDb2	0.0166	0.0000	-0.3257	-0.0166	-0.0000	0.3257	0.0469	0.0001	-0.0036
RohnEa1	0.0200	0.0000	-0.4437	-0.0200	0.0000	0.4437	0.0355	0.0001	-0.0030
RohnEa2	0.0200	0.0000	-0.4437	-0.0200	-0.0000	0.4437	0.0355	0.0001	-0.0030
RohnEb1	0.0186	0.0000	-0.4437	-0.0186	0.0000	0.4437	0.0304	0.0001	-0.0027
RohnEb2	0.0186	0.0000	-0.4437	-0.0186	-0.0000	0.4437	0.0305	0.0001	-0.0028
RohnFa1	0.0200	0.0000	-0.5999	-0.0200	0.0000	0.5999	0.0193	-0.0000	-0.0021
RohnFa2	0.0200	0.0000	-0.5999	-0.0200	-0.0000	0.5999	0.0193	0.0001	-0.0022
RohnGa1	0.0153	0.0000	-0.6702	-0.0153	0.0000	0.6702	0.0096	-0.0000	-0.0015
RohnGa2	0.0153	0.0000	-0.6702	-0.0153	-0.0000	0.6702	0.0096	0.0001	-0.0015
RohnHa1	0.0104	0.0000	-0.7135	-0.0104	0.0000	0.7135	0.0032	-0.0001	-0.0009
RohnHa2	0.0104	0.0000	-0.7135	-0.0104	-0.0000	0.7135	0.0032	0.0001	-0.0009
RohnIa1	0.0059	0.0000	-0.8390	-0.0059	0.0000	0.8390	0.0002	-0.0001	-0.0003
RohnIa2	0.0059	0.0000	-0.8390	-0.0059	-0.0000	0.8390	0.0002	0.0001	-0.0003
SNB-Aa1	0.0450	0.0000	-0.1863	-0.0450	-0.0000	0.1863	0.1324	0.0001	-0.0027
SNB-Aa2	0.0450	0.0000	-0.1863	-0.0450	0.0000	0.1863	0.1324	0.0002	-0.0027
SNB-Ab1	0.0390	0.0000	-0.1863	-0.0390	-0.0000	0.1863	0.1254	0.0002	-0.0026
SNB-Ab2	0.0390	0.0000	-0.1863	-0.0390	0.0000	0.1863	0.1254	0.0002	-0.0026
SNB-Ac1	0.0337	0.0000	-0.1863	-0.0337	-0.0000	0.1863	0.1184	0.0001	-0.0024
SNB-Ac2	0.0337	0.0000	-0.1863	-0.0337	0.0000	0.1863	0.1184	0.0002	-0.0024
SNB-Ba1	0.0292	0.0000	-0.2170	-0.0292	-0.0000	0.2170	0.1046	0.0001	-0.0021
SNB-Ba2	0.0292	0.0000	-0.2170	-0.0292	0.0000	0.2170	0.1046	0.0002	-0.0021
SNB-Bb1	0.0252	0.0000	-0.2170	-0.0252	-0.0000	0.2170	0.0978	0.0002	-0.0020
SNB-Bb2	0.0252	0.0000	-0.2170	-0.0252	0.0000	0.2170	0.0978	0.0001	-0.0020
SNB-Bc1	0.0219	0.0000	-0.2170	-0.0219	-0.0000	0.2170	0.0911	0.0001	-0.0018
SNB-Bc2	0.0219	0.0000	-0.2170	-0.0219	0.0000	0.2170	0.0911	0.0002	-0.0018
SNB-Ca1	0.0224	0.0000	-0.2951	-0.0224	-0.0000	0.2951	0.0762	0.0001	-0.0015
SNB-Ca2	0.0224	0.0000	-0.2951	-0.0224	0.0000	0.2951	0.0762	0.0001	-0.0015
SNB-Cb1	0.0196	0.0000	-0.2951	-0.0196	-0.0000	0.2951	0.0682	0.0001	-0.0014
SNB-Cb2	0.0196	0.0000	-0.2951	-0.0196	0.0000	0.2951	0.0682	0.0001	-0.0014
SNB-Da1	0.0179	0.0000	-0.3257	-0.0179	-0.0000	0.3257	0.0535	0.0001	-0.0011
SNB-Da2	0.0179	0.0000	-0.3257	-0.0179	0.0000	0.3257	0.0535	0.0001	-0.0011
SNB-Db1	0.0166	0.0000	-0.3257	-0.0166	-0.0000	0.3257	0.0469	0.0001	-0.0010
SNB-Db2	0.0166	0.0000	-0.3257	-0.0166	0.0000	0.3257	0.0469	0.0001	-0.0010
SNB-Ea1	0.0200	0.0000	-0.4437	-0.0200	-0.0000	0.4437	0.0355	0.0000	-0.0008
SNB-Ea2	0.0200	0.0000	-0.4437	-0.0200	0.0000	0.4437	0.0355	0.0001	-0.0008
SNB-Eb1	0.0186	0.0000	-0.4437	-0.0186	-0.0000	0.4437	0.0305	0.0001	-0.0007
SNB-Eb2	0.0186	0.0000	-0.4437	-0.0186	0.0000	0.4437	0.0305	0.0001	-0.0008
SNB-Fa1	0.0200	0.0000	-0.5999	-0.0200	-0.0000	0.5999	0.0193	0.0000	-0.0006
SNB-Fa2	0.0200	0.0000	-0.5999	-0.0200	0.0000	0.5999	0.0193	0.0001	-0.0006
SNB-Ga1	0.0153	0.0000	-0.6702	-0.0153	-0.0000	0.6702	0.0096	-0.0000	-0.0004
SNB-Ga2	0.0153	0.0000	-0.6702	-0.0153	0.0000	0.6702	0.0096	0.0001	-0.0004
SNB-Ha1	0.0104	0.0000	-0.7135	-0.0104	-0.0000	0.7135	0.0032	-0.0001	-0.0002
SNB-Ha2	0.0104	0.0000	-0.7135	-0.0104	0.0000	0.7135	0.0032	0.0001	-0.0002
SNB-Ia1	0.0059	0.0000	-0.8390	-0.0059	-0.0000	0.8390	0.0001	-0.0001	-0.0001
SNB-Ia2	0.0059	0.0000	-0.8390	-0.0059	0.0000	0.8390	0.0001	0.0001	-0.0001

Moments for Angles Modeled as Beams:

Angle Label	Torsion (ft-lbs)	Origin X Moment (ft-lbs)	Origin Y Moment (ft-lbs)	End X Moment (ft-lbs)	End Y Moment (ft-lbs)	X Shear (lbs)	Y Shear (lbs)
Rohn-LA1P	-0.19	0.10	0.79	-0.08	-4.17	0.00	-0.68
Rohn-LA11	0.01	-0.39	0.43	-3.32	1.39	-0.74	0.36
Rohn-LA12	-0.41	0.38	0.63	3.32	0.59	0.74	0.24
Rohn-LA2P	-0.19	0.08	4.17	-0.64	6.74	-0.11	2.18
Rohn-LA21	0.01	3.32	-1.39	2.96	-4.29	1.25	-1.14
Rohn-LA22	-0.41	-3.32	-0.59	-3.93	-1.81	-1.45	-0.48
Rohn-LA3P	-0.19	0.64	-6.74	1.01	-6.14	0.33	-2.57
Rohn-LA31	0.01	-2.96	4.29	-3.15	9.16	-1.22	2.69
Rohn-LA32	-0.41	3.93	1.81	3.63	7.43	1.51	1.85
Rohn-LA4P	-0.19	-1.01	6.14	-0.48	12.76	-0.30	3.78
Rohn-LA41	0.01	3.15	-9.16	2.97	-9.77	1.22	-3.78

Rohn-LA42	-0.41	-3.63	-7.43	-3.55	-8.23	-1.43	-3.13
Rohn-LB1P	-0.11	0.49	-11.56	0.44	-9.07	0.19	-4.12
Rohn-LB11	0.41	-3.37	10.51	-1.30	24.28	-0.93	6.95
Rohn-LB12	-0.63	3.91	9.00	1.56	23.62	1.09	6.52
Rohn-LB2P	-0.11	-0.44	9.07	-0.16	21.06	-0.12	6.02
Rohn-LB21	0.41	1.30	-24.28	0.24	-16.69	0.31	-8.19
Rohn-LB22	-0.63	-1.56	-23.62	-0.25	-16.43	-0.36	-8.00
Rohn-LB3P	-0.11	0.16	-21.06	0.10	-10.80	0.05	-6.37
Rohn-LB31	0.41	-0.24	16.69	-4.17	22.34	-0.88	7.80
Rohn-LB32	-0.63	0.25	16.43	4.24	22.19	0.90	7.72
Rohn-LB4P	-0.11	-0.10	10.80	-0.03	32.13	-0.03	8.58
Rohn-LB41	0.41	4.17	-22.34	8.61	7.59	2.55	-2.95
Rohn-LB42	-0.63	-4.24	-22.19	-8.64	7.83	-2.58	-2.87
Rohn-LC1P	-0.11	0.03	-32.13	0.09	8.50	0.02	-3.54
Rohn-LC11	0.41	-8.61	-7.59	-4.34	12.49	-1.94	0.73
Rohn-LC12	-0.63	8.64	-7.83	4.52	12.11	1.97	0.64
Rohn-LC2P	-0.11	-0.09	-8.50	-0.05	3.03	-0.02	-0.82
Rohn-LC21	0.41	4.34	-12.49	-7.25	25.71	-0.44	1.98
Rohn-LC22	-0.63	-4.52	-12.11	7.12	25.85	0.39	2.06
Rohn-LC3P	-0.11	0.05	-3.03	-0.06	49.36	-0.00	6.95
Rohn-LC31	0.41	7.25	-25.71	17.37	12.11	3.69	-2.04
Rohn-LC32	-0.63	-7.13	-25.85	-17.39	12.50	-3.68	-2.00
Rohn-LD1P	-0.11	0.06	-49.36	0.43	28.55	0.07	-3.12
Rohn-LD11	0.41	-17.37	-12.11	-14.94	33.16	-4.85	3.16
Rohn-LD12	-0.63	17.39	-12.50	15.17	32.76	4.89	3.04
Rohn-LD2P	-0.11	-0.43	-28.55	-0.13	1.57	-0.08	-4.04
Rohn-LD21	0.41	14.94	-33.16	-1.50	66.23	2.01	4.95
Rohn-LD22	-0.63	-15.17	-32.76	1.62	66.45	-2.03	5.04
Rohn-LD3P	-0.11	0.13	-1.57	0.12	95.15	0.04	14.04
Rohn-LD31	0.41	1.50	-66.23	11.51	1.10	1.95	-9.77
Rohn-LD32	-0.63	-1.62	-66.45	-11.42	1.01	-1.96	-9.82
Rohn-LE1P	-0.11	-0.12	-95.15	0.11	3.45	-0.00	-13.76
Rohn-LE11	0.41	-11.51	-1.10	-9.18	56.05	-3.10	8.24
Rohn-LE12	-0.63	11.42	-1.01	9.26	55.93	3.10	8.24
Rohn-LE2P	-0.11	-0.11	-3.45	-0.33	7.38	-0.07	0.59
Rohn-LE21	0.41	9.18	-56.05	-4.01	45.42	0.77	-1.59
Rohn-LE22	-0.63	-9.26	-55.93	4.01	45.95	-0.79	-1.49
Rohn-LE3P	-0.11	0.33	-7.38	0.59	149.03	0.14	21.26
Rohn-LE31	0.41	4.01	-45.42	22.98	-15.85	4.05	-9.19
Rohn-LE32	-0.63	-4.01	-45.95	-22.78	-17.12	-4.02	-9.46
Rohn-LF1P	-0.11	-0.59	-149.03	-1.07	-94.88	-0.17	-24.38
Rohn-LF11	0.41	-22.98	15.85	-35.44	181.53	-5.84	19.72
Rohn-LF12	-0.63	22.78	17.12	34.92	182.73	5.77	19.97
Rohn-LF2P	-0.11	1.07	94.88	0.63	241.55	0.17	33.62
Rohn-LF21	0.41	35.44	-181.53	38.89	-76.62	7.43	-25.80
Rohn-LF22	-0.63	-34.92	-182.73	-38.98	-77.85	-7.38	-26.04
Rohn-LG1P	-0.11	-0.63	-241.55	-1.00	-131.47	-0.16	-37.28
Rohn-LG11	0.41	-38.89	76.62	-42.94	208.44	-8.18	28.48
Rohn-LG12	-0.63	38.98	77.85	42.40	209.36	8.13	28.70
Rohn-LG2P	-0.11	1.00	131.47	0.37	271.07	0.14	40.23
Rohn-LG21	0.41	42.94	-208.44	47.72	-91.83	9.06	-30.00
Rohn-LG22	-0.63	-42.40	-209.36	-48.07	-92.37	-9.04	-30.15
Rohn-LH1P	-0.11	-0.37	-271.07	-0.41	-161.00	-0.08	-43.18
Rohn-LH11	0.40	-47.72	91.83	-54.38	235.98	-10.20	32.76
Rohn-LH12	-0.62	48.07	92.37	54.04	236.48	10.20	32.86
Rohn-LH2P	-0.11	0.41	161.00	0.03	346.61	0.04	50.73
Rohn-LH21	0.41	54.38	-235.98	69.15	-125.90	12.34	-36.16
Rohn-LH22	-0.63	-54.04	-236.48	-69.54	-126.39	-12.35	-36.26
Rohn-LI1P	-0.11	-0.03	-346.61	-1.07	-248.39	-0.11	-59.46
Rohn-LI11	0.40	-69.15	125.90	-97.70	392.89	-16.67	51.84
Rohn-LI12	-0.62	69.54	126.39	97.34	392.95	16.68	51.89
Rohn-LI2P	-0.11	1.07	248.39	1.89	555.33	0.30	80.32
Rohn-LI21	0.40	97.70	-392.89	94.36	-105.24	19.19	-49.78
Rohn-LI22	-0.62	-97.34	-392.95	-95.76	-103.55	-19.30	-49.61
Rohn-H1P	0.02	0.39	0.01	0.54	-0.06	0.12	-0.01
Rohn-H11	0.02	-0.10	0.05	0.06	0.18	-0.01	0.03
Rohn-H12	0.02	-0.67	0.24	-0.51	0.18	-0.16	0.06
Rohn-H2P	-0.03	0.71	-0.14	0.84	-0.25	0.17	-0.04
Rohn-H21	0.01	-0.02	-0.16	-0.03	0.07	-0.01	-0.01

Rohn-H22	0.04	-0.85	0.17	-0.72	0.06	-0.18	0.03
SNB-LA1P	-0.00	0.08	76.46	0.35	13.32	0.09	17.94
SNB-LA11	0.02	64.79	-35.89	12.72	-6.30	15.49	-8.43
SNB-LA12	-0.02	-65.20	-36.23	-13.16	-6.97	-15.66	-8.63
SNB-LA2P	-0.00	-0.35	-13.32	-0.62	7.84	-0.20	-1.10
SNB-LA21	0.02	-12.72	6.30	2.40	-4.91	-2.06	0.28
SNB-LA22	-0.02	13.16	6.97	-2.21	-4.08	2.19	0.58
SNB-LA3P	-0.00	0.62	-7.83	0.42	-22.15	0.21	-5.99
SNB-LA31	0.02	-2.40	4.91	-14.17	18.52	-3.31	4.68
SNB-LA32	-0.02	2.21	4.08	13.81	17.83	3.20	4.38
SNB-LA4P	-0.00	-0.42	22.15	-0.26	74.16	-0.14	19.25
SNB-LA41	0.02	14.17	-18.52	48.17	-34.08	12.46	-10.51
SNB-LA42	-0.02	-13.81	-17.83	-47.82	-33.57	-12.32	-10.27
SNB-LB1P	-0.00	0.29	118.86	0.19	15.99	0.10	26.95
SNB-LB11	0.42	97.69	-40.38	11.65	16.84	21.85	-4.71
SNB-LB12	-0.42	-97.73	-40.74	-11.65	16.62	-21.86	-4.82
SNB-LB2P	-0.00	-0.19	-15.99	-0.06	45.09	-0.05	5.81
SNB-LB21	0.42	-11.65	-16.84	16.67	-10.12	1.00	-5.39
SNB-LB22	-0.42	11.65	-16.62	-16.51	-9.96	-0.97	-5.31
SNB-LB3P	-0.00	0.06	-45.09	0.14	-61.50	0.04	-21.30
SNB-LB31	0.42	-16.67	10.12	-43.83	59.77	-12.09	13.97
SNB-LB32	-0.42	16.51	9.96	43.91	59.66	12.07	13.91
SNB-LB4P	-0.00	-0.14	61.50	-0.02	223.84	-0.03	57.03
SNB-LB41	0.42	43.83	-59.77	135.29	-74.75	35.80	-26.88
SNB-LB42	-0.42	-43.91	-59.66	-135.19	-74.66	-35.79	-26.84
SNB-LC1P	-0.00	0.01	80.35	0.03	56.99	0.01	20.61
SNB-LC11	0.85	100.62	-51.79	39.07	9.49	20.96	-6.35
SNB-LC12	-0.85	-100.76	-51.89	-39.10	9.44	-20.98	-6.37
SNB-LC2P	-0.00	-0.03	-56.99	0.03	-54.18	0.00	-16.63
SNB-LC21	0.85	-39.07	-9.49	-52.96	71.85	-13.77	9.33
SNB-LC22	-0.85	39.10	-9.44	52.94	71.81	13.77	9.33
SNB-LC3P	-0.00	-0.03	54.18	-0.01	256.79	-0.01	46.66
SNB-LC31	0.85	52.96	-71.85	164.40	-99.23	32.61	-25.67
SNB-LC32	-0.85	-52.94	-71.81	-164.19	-99.10	-32.58	-25.64
SNB-LD1P	-0.00	0.03	226.08	0.21	129.99	0.04	53.43
SNB-LD11	1.12	235.94	-124.33	65.62	26.95	45.24	-14.61
SNB-LD12	-1.12	-236.10	-124.45	-65.50	26.78	-45.25	-14.65
SNB-LD2P	-0.00	-0.21	-129.99	0.03	-73.33	-0.03	-30.42
SNB-LD21	1.12	-65.62	-26.95	-54.65	125.22	-17.99	14.70
SNB-LD22	-1.11	65.50	-26.78	54.94	125.35	18.02	14.74
SNB-LD3P	-0.00	-0.03	73.33	0.05	345.56	0.00	62.86
SNB-LD31	1.12	54.65	-125.22	158.74	-90.84	32.02	-32.42
SNB-LD32	-1.12	-54.94	-125.35	-158.74	-90.88	-32.06	-32.44
SNB-LE1P	-0.01	-0.09	293.63	0.31	183.47	0.03	71.58
SNB-LE11	1.90	351.11	-188.39	102.18	61.52	68.01	-19.04
SNB-LE12	-1.90	-351.38	-188.45	-102.05	61.24	-68.03	-19.09
SNB-LE2P	-0.01	-0.31	-183.47	-0.22	-158.07	-0.08	-51.09
SNB-LE21	1.89	-102.18	-61.52	-148.97	240.50	-37.57	26.77
SNB-LE22	-1.89	102.05	-61.24	149.43	241.02	37.62	26.89
SNB-LE3P	-0.01	0.22	158.07	0.18	921.35	0.06	161.96
SNB-LE31	1.91	148.98	-240.50	546.05	-388.72	104.28	-94.40
SNB-LE32	-1.91	-149.43	-241.02	-546.93	-389.44	-104.48	-94.59
SNB-LF1P	0.01	-0.29	41.32	-0.64	-221.32	-0.09	-17.99
SNB-LF11	2.73	274.64	-69.05	-60.50	356.29	21.40	28.70
SNB-LF12	-2.75	-274.24	-68.49	60.41	356.97	-21.37	28.83
SNB-LF2P	0.01	0.64	221.33	0.22	944.80	0.09	116.53
SNB-LF21	2.74	60.51	-356.29	463.84	-433.39	52.39	-78.91
SNB-LF22	-2.75	-60.41	-356.97	-464.87	-434.23	-52.49	-79.06
SNB-LG1P	0.02	-0.27	531.23	-1.42	-290.41	-0.17	24.06
SNB-LG11	4.42	821.20	-300.41	-66.22	594.44	75.44	29.38
SNB-LG12	-4.45	-820.32	-299.59	65.31	595.54	-75.44	29.57
SNB-LG2P	0.02	1.42	290.42	0.44	1659.60	0.19	194.87
SNB-LG21	4.42	66.22	-594.44	903.42	-735.78	96.89	-132.92
SNB-LG22	-4.45	-65.31	-595.54	-904.56	-736.93	-96.91	-133.14
SNB-LH1P	0.01	-0.45	240.08	-1.46	-351.13	-0.19	-11.10
SNB-LH11	4.13	725.98	-198.23	-69.64	630.95	65.58	43.24
SNB-LH12	-4.16	-724.88	-197.08	68.76	632.12	-65.56	43.47
SNB-LH2P	0.01	1.46	351.13	0.55	1575.43	0.20	192.53
SNB-LH21	4.13	69.64	-630.95	735.17	-683.05	80.42	-131.30

SNB-LH22	-4.15	-68.76	-632.11	-736.23	-684.28	-80.44	-131.54
SNB-LI1P	0.00	-0.54	673.29	-2.04	-185.62	-0.26	48.73
SNB-LI11	2.25	1210.71	-433.61	164.34	794.22	137.40	36.03
SNB-LI12	-2.27	-1209.58	-432.34	-165.89	795.66	-137.44	36.30
SNB-LI2P	0.00	2.04	185.62	1.17	1170.80	0.32	135.55
SNB-LI21	2.21	-164.33	-794.22	30.92	-197.80	-13.33	-99.13
SNB-LI22	-2.23	165.88	-795.66	-31.22	-199.23	13.46	-99.41
SNB-H1aP	-0.30	44.32	-2.70	145.17	-2.02	93.79	-2.34
SNB-H1bP	-0.30	-145.17	2.03	-41.66	-1.20	-92.47	0.41
SNB-H1cP	-0.07	43.71	1.12	144.33	3.76	93.07	2.42
SNB-H1dP	-0.07	-144.33	-3.76	-43.92	-1.13	-93.17	-2.42
SNB-H1eP	0.37	41.94	1.20	145.01	-2.11	92.53	-0.45
SNB-H1fP	0.37	-145.01	2.11	-44.36	2.71	-93.73	2.38
SNB-H2aP	-1.05	112.00	-0.55	152.48	-0.53	97.85	-0.40
SNB-H2bP	-1.05	-152.48	0.53	-86.53	-1.30	-88.43	-0.28
SNB-H2cP	0.01	101.70	0.56	150.15	2.43	93.18	1.11
SNB-H2dP	0.01	-150.15	-2.43	-101.48	-0.57	-93.10	-1.11
SNB-H2eP	1.03	86.38	1.30	152.51	-0.58	88.38	0.26
SNB-H2fP	1.03	-152.51	0.58	-112.08	0.55	-97.89	0.42
SNB-H3aP	-0.52	175.93	0.92	205.94	0.49	112.83	0.42
SNB-H3bP	-0.52	-205.94	-0.49	-146.34	-2.06	-104.09	-0.75
SNB-H3cP	0.00	162.33	1.29	204.80	3.30	108.48	1.36
SNB-H3dP	0.00	-204.80	-3.30	-162.37	-1.29	-108.49	-1.36
SNB-H3eP	0.52	146.35	2.06	205.94	0.49	104.09	0.75
SNB-H3fP	0.52	-205.94	-0.49	-175.92	-0.93	-112.83	-0.42
SNB-H4aP	-0.70	279.17	2.14	330.50	1.16	149.94	0.81
SNB-H4bP	-0.70	-330.50	-1.16	-258.39	-3.14	-144.83	-1.06
SNB-H4cP	-0.00	270.62	2.61	329.16	5.59	147.51	2.02
SNB-H4dP	-0.00	-329.16	-5.59	-270.57	-2.61	-147.50	-2.02
SNB-H4eP	0.70	258.37	3.14	330.49	1.15	144.83	1.06
SNB-H4fP	0.70	-330.49	-1.15	-279.20	-2.13	-149.95	-0.81
SNB-H5aP	-0.76	369.52	3.23	426.47	1.46	167.69	0.99
SNB-H5bP	-0.76	-426.47	-1.46	-322.69	-4.63	-157.83	-1.28
SNB-H5cP	-0.00	347.93	3.33	424.96	8.28	162.83	2.44
SNB-H5dP	-0.00	-424.96	-8.28	-348.13	-3.32	-162.87	-2.44
SNB-H5eP	0.76	322.80	4.63	426.46	1.46	157.85	1.28
SNB-H5fP	0.76	-426.46	-1.46	-369.43	-3.23	-167.67	-0.99
SNB-H6aP	-3.63	557.99	3.09	659.13	1.90	224.22	0.92
SNB-H6bP	-3.63	-659.13	-1.91	-530.38	-4.76	-219.13	-1.23
SNB-H6cP	0.01	552.49	3.38	651.33	7.42	221.77	1.99
SNB-H6dP	0.01	-651.33	-7.42	-552.89	-3.38	-221.84	-1.99
SNB-H6eP	3.62	530.57	4.77	659.15	1.92	219.17	1.23
SNB-H6fP	3.62	-659.15	-1.92	-557.78	-3.10	-224.18	-0.92
SNB-H7aP	-2.94	853.92	0.33	980.67	-0.73	300.27	-0.06
SNB-H7bP	-2.94	-980.67	0.72	-848.55	-2.24	-299.39	-0.25
SNB-H7cP	0.01	858.45	0.28	974.77	4.31	300.05	0.75
SNB-H7dP	0.01	-974.77	-4.31	-858.58	-0.27	-300.07	-0.75
SNB-H7eP	2.93	848.59	2.24	980.69	-0.71	299.40	0.25
SNB-H7fP	2.93	-980.69	0.72	-853.83	-0.34	-300.26	0.06
SNB-H8aP	-0.59	1097.13	0.53	1186.50	-0.75	336.30	-0.03
SNB-H8bP	-0.59	-1186.50	0.75	-1078.19	-1.29	-333.51	-0.08
SNB-H8cP	0.00	1090.12	1.31	1186.34	4.67	335.24	0.88
SNB-H8dP	0.00	-1186.34	-4.67	-1090.16	-1.32	-335.25	-0.88
SNB-H8eP	0.59	1078.19	1.29	1186.50	-0.77	333.51	0.08
SNB-H8fP	0.59	-1186.50	0.77	-1097.11	-0.52	-336.29	0.04
SNB-H9aP	-1.72	1299.28	0.35	1369.31	-1.09	357.14	-0.10
SNB-H9bP	-1.72	-1369.31	1.08	-1289.56	-0.13	-355.84	0.13
SNB-H9cP	0.00	1300.03	1.76	1367.18	4.43	356.96	0.83
SNB-H9dP	0.00	-1367.18	-4.43	-1299.98	-1.76	-356.95	-0.83
SNB-H9eP	1.71	1289.52	0.13	1369.31	-1.09	355.84	-0.13
SNB-H9fP	1.72	-1369.31	1.10	-1299.30	-0.35	-357.14	0.10

Equilibrium Joint Positions and Rotations for Load Case "5: 0.9D + 1.0Dg + 1.0E":

Joint Label	X-Displ (ft)	Y-Displ (ft)	Z-Displ (ft)	X-Rot (deg)	Y-Rot (deg)	Z-Rot (deg)	X-Pos (ft)	Y-Pos (ft)	Z-Pos (ft)
RohnAP	0.1388	5.718e-005	-0.01298	0.0001	0.0793	-0.0008	4.472	5.718e-005	180
RohnBP	0.111	8.475e-005	-0.01373	0.0000	0.0783	-0.0004	5.232	8.475e-005	160
RohnCP	0.0843	8.008e-005	-0.01368	-0.0000	0.0727	-0.0003	5.993	8.008e-005	140
RohnDP	0.06055	6.915e-005	-0.01287	-0.0000	0.0620	-0.0002	6.756	6.915e-005	120
RohnEP	0.04099	5.136e-005	-0.0109	-0.0001	0.0484	-0.0001	7.522	5.136e-005	99.99
RohnFP	0.02586	2.851e-005	-0.009061	-0.0001	0.0359	-0.0001	8.294	2.851e-005	79.99
RohnGP	0.01439	9.294e-006	-0.00705	-0.0000	0.0270	-0.0001	9.069	9.294e-006	59.99
RohnHP	0.006366	-4.012e-007	-0.004929	-0.0000	0.0178	-0.0000	9.847	-4.012e-007	40
RohnIP	0.001672	-3.446e-006	-0.002369	0.0000	0.0069	-0.0000	10.63	-3.446e-006	20
RohnJP	0	0	0	0.0000	0.0000	0.0000	11.42	0	0
SNB-AP	0.1388	0.0001254	-0.006633	-0.0000	0.0745	-0.0000	2.472	0.0001254	180
SNB-BP	0.111	0.0001128	-0.00751	-0.0000	0.0746	-0.0000	3.232	0.0001128	160
SNB-CP	0.08431	0.0001022	-0.007996	-0.0000	0.0689	-0.0000	3.992	0.0001022	140
SNB-DP	0.06056	8.784e-005	-0.007856	-0.0000	0.0560	-0.0000	4.756	8.784e-005	120
SNB-EP	0.04099	6.877e-005	-0.006857	-0.0001	0.0440	-0.0000	5.522	6.877e-005	99.99
SNB-FP	0.02586	4.505e-005	-0.006133	-0.0001	0.0318	-0.0000	6.294	4.505e-005	79.99
SNB-GP	0.01439	2.36e-005	-0.004907	-0.0001	0.0191	-0.0000	7.069	2.36e-005	60
SNB-HP	0.006366	9.146e-006	-0.003534	-0.0000	0.0115	-0.0000	7.847	9.146e-006	40
SNB-IP	0.001672	1.721e-006	-0.001738	-0.0000	0.0026	-0.0000	8.63	1.721e-006	20
SNB-JP	0	0	0	0.0000	0.0000	0.0000	9.415	0	0
RohnA1	0.1387	0.000163	-0.004076	-0.0006	0.0796	-0.0012	-2.028	-3.752	180
RohnA2	0.1389	0.0001658	-0.004094	0.0002	0.0800	-0.0004	-2.028	3.753	180
RohnB1	0.111	0.0001296	-0.003469	0.0001	0.0792	-0.0012	-2.45	-4.435	160
RohnB2	0.111	0.0001221	-0.00347	-0.0002	0.0793	0.0004	-2.449	4.435	160
RohnC1	0.08424	0.000142	-0.00287	-0.0002	0.0725	-0.0015	-2.87	-5.117	140
RohnC2	0.08428	8.51e-005	-0.002876	0.0001	0.0725	0.0010	-2.87	5.117	140
RohnD1	0.06045	0.0001367	-0.002296	-0.0004	0.0624	-0.0015	-3.287	-5.798	120
RohnD2	0.06048	5.67e-005	-0.002303	0.0003	0.0625	0.0011	-3.287	5.798	120
RohnE1	0.04092	9.786e-005	-0.001692	-0.0002	0.0485	-0.0012	-3.7	-6.479	100
RohnE2	0.04095	5.831e-005	-0.001707	0.0000	0.0485	0.0010	-3.7	6.479	100
RohnF1	0.02575	9.135e-005	-0.001228	-0.0002	0.0392	-0.0011	-4.108	-7.16	80
RohnF2	0.02579	1.808e-005	-0.001251	0.0001	0.0392	0.0009	-4.108	7.16	80
RohnG1	0.01433	5.512e-005	-0.0008624	-0.0001	0.0278	-0.0008	-4.513	-7.842	60
RohnG2	0.01435	7.214e-006	-0.0008815	-0.0000	0.0278	0.0007	-4.513	7.842	60
RohnH1	0.006299	4.092e-005	-0.0005537	-0.0001	0.0185	-0.0005	-4.914	-8.523	40
RohnH2	0.006315	-1.342e-005	-0.000565	0.0001	0.0185	0.0005	-4.914	8.523	40
RohnI1	0.001622	2.446e-005	-0.0002615	-0.0003	0.0090	-0.0003	-5.313	-9.206	20
RohnI2	0.00163	-1.622e-005	-0.0002664	0.0003	0.0090	0.0002	-5.313	9.206	20
RohnJ1	0	0	0	0.0000	0.0000	0.0000	-5.71	-9.89	0
RohnJ2	0	0	0	0.0000	0.0000	0.0000	-5.71	9.89	0
SNB-A1	0.1388	0.0001249	-0.00177	-0.0044	0.0823	-0.0001	-1.028	-2.02	180
SNB-A2	0.1388	0.0001264	-0.001773	0.0043	0.0823	0.0001	-1.028	2.021	180
SNB-B1	0.111	0.0001124	-0.00118	-0.0028	0.0802	-0.0001	-1.449	-2.703	160
SNB-B2	0.111	0.0001137	-0.001183	0.0027	0.0802	0.0001	-1.449	2.703	160
SNB-C1	0.08431	0.0001015	-0.000674	-0.0031	0.0747	-0.0002	-1.87	-3.384	140
SNB-C2	0.08431	0.0001033	-0.0006784	0.0030	0.0747	0.0002	-1.87	3.385	140
SNB-D1	0.06053	8.826e-005	-0.0003143	-0.0051	0.0656	-0.0003	-2.287	-4.066	120
SNB-D2	0.06053	8.786e-005	-0.000321	0.0050	0.0656	0.0003	-2.287	4.066	120
SNB-E1	0.04097	7.103e-005	-0.0001382	-0.0031	0.0498	-0.0003	-2.7	-4.747	100
SNB-E2	0.04097	6.687e-005	-0.0001483	0.0030	0.0498	0.0003	-2.7	4.747	100
SNB-F1	0.02583	4.48e-005	-1.133e-006	-0.0045	0.0417	-0.0002	-3.108	-5.428	80
SNB-F2	0.02583	4.549e-005	-1.28e-005	0.0043	0.0417	0.0002	-3.108	5.428	80
SNB-G1	0.01436	3.242e-005	5.173e-005	-0.0059	0.0314	-0.0003	-3.513	-6.11	60
SNB-G2	0.01436	1.495e-005	4.147e-005	0.0058	0.0314	0.0003	-3.513	6.11	60
SNB-H1	0.006335	2.037e-005	6.698e-005	-0.0056	0.0215	-0.0003	-3.914	-6.79	40
SNB-H2	0.006335	-1.845e-006	5.978e-005	0.0055	0.0215	0.0003	-3.914	6.791	40
SNB-I1	0.001636	1.659e-005	3.617e-005	-0.0042	0.0113	-0.0002	-4.312	-7.472	20
SNB-I2	0.001636	-1.299e-005	3.29e-005	0.0042	0.0113	0.0002	-4.312	7.472	20
SNB-J1	0	0	0	0.0000	0.0000	0.0000	-4.708	-8.154	0
SNB-J2	0	0	0	0.0000	0.0000	0.0000	-4.708	8.154	0

RohnAaS	0.1318	6.122e-005	-0.01322	0.0001	0.0800	-0.0007	4.662	6.122e-005	175
RohnAbS	0.1249	6.829e-005	-0.01343	0.0002	0.0796	-0.0006	4.852	6.829e-005	170
RohnAcS	0.1179	8.466e-005	-0.0136	0.0001	0.0794	-0.0005	5.042	8.466e-005	165
RohnBaS	0.1042	8.623e-005	-0.0138	0.0000	0.0779	-0.0004	5.422	8.623e-005	155
RohnBbS	0.09743	8.412e-005	-0.01383	-0.0000	0.0765	-0.0003	5.612	8.412e-005	150
RohnBcS	0.09084	8.244e-005	-0.01378	-0.0000	0.0753	-0.0003	5.803	8.244e-005	145
RohnCaS	0.0761	7.691e-005	-0.01353	-0.0000	0.0688	-0.0002	6.247	7.691e-005	133.3
RohnCbS	0.06817	7.287e-005	-0.01327	-0.0000	0.0672	-0.0002	6.501	7.287e-005	126.6
RohnDaS	0.05362	6.547e-005	-0.01234	-0.0000	0.0571	-0.0002	7.01	6.547e-005	113.3
RohnDbS	0.04711	5.838e-005	-0.01166	-0.0001	0.0545	-0.0001	7.266	5.838e-005	106.6
RohnEaS	0.03567	4.36e-005	-0.01034	-0.0001	0.0438	-0.0001	7.779	4.36e-005	93.33
RohnEbS	0.03059	3.537e-005	-0.009727	-0.0001	0.0429	-0.0001	8.037	3.537e-005	86.65
RohnFaS	0.02004	1.567e-005	-0.008104	-0.0001	0.0332	-0.0001	8.682	1.567e-005	69.99
RohnGaS	0.01032	1.844e-006	-0.006026	-0.0000	0.0229	-0.0000	9.458	1.844e-006	49.99
RohnHaS	0.00397	-2.898e-006	-0.003683	-0.0000	0.0135	-0.0000	10.24	-2.898e-006	30
RohnIaS	0.0008134	-2.563e-006	-0.001208	0.0000	0.0050	-0.0000	11.03	-2.563e-006	9.999
SNB-AaS	0.1319	0.0001222	-0.006885	-0.0001	0.0814	-0.0000	2.662	0.0001222	175
SNB-AbS	0.1249	0.0001158	-0.007123	-0.0000	0.0790	-0.0000	2.852	0.0001158	170
SNB-AcS	0.1179	0.000116	-0.007331	-0.0000	0.0805	-0.0000	3.042	0.000116	165
SNB-BaS	0.1042	0.0001107	-0.007679	-0.0000	0.0790	-0.0000	3.422	0.0001107	155
SNB-BbS	0.09744	0.0001081	-0.007819	-0.0000	0.0761	-0.0000	3.612	0.0001081	150
SNB-BcS	0.09085	0.0001055	-0.007922	-0.0000	0.0765	-0.0000	3.802	0.0001055	145
SNB-CaS	0.07611	9.772e-005	-0.00802	-0.0000	0.0695	-0.0000	4.246	9.772e-005	133.3
SNB-CbS	0.06817	9.292e-005	-0.007964	-0.0000	0.0686	-0.0000	4.501	9.292e-005	126.7
SNB-DaS	0.05363	8.249e-005	-0.00761	-0.0001	0.0585	-0.0000	5.01	8.249e-005	113.3
SNB-DbS	0.04712	7.587e-005	-0.007263	-0.0001	0.0555	-0.0000	5.266	7.587e-005	106.7
SNB-EaS	0.03568	6.123e-005	-0.006668	-0.0001	0.0449	-0.0000	5.779	6.123e-005	93.33
SNB-EbS	0.03059	5.299e-005	-0.00642	-0.0001	0.0438	-0.0000	6.037	5.299e-005	86.65
SNB-FaS	0.02004	3.302e-005	-0.00556	-0.0001	0.0363	-0.0000	6.682	3.302e-005	69.99
SNB-GaS	0.01032	1.49e-005	-0.004255	-0.0000	0.0265	-0.0000	7.458	1.49e-005	50
SNB-HaS	0.00397	4.006e-006	-0.002667	-0.0000	0.0163	-0.0000	8.238	4.006e-006	30
SNB-IaS	0.0008134	-9.776e-008	-0.0008937	-0.0000	0.0062	-0.0000	9.022	-9.776e-008	9.999
SNB-WL-A1S	0.1388	0.0001236	-0.004331	-0.0022	0.0783	0.0000	0.7221	-1.01	180
SNB-WL-A2S	0.1388	0.0001256	-0.001899	-0.0000	0.0823	-0.0000	-1.028	0.0001256	180
SNB-WL-A3S	0.1388	0.0001276	-0.004332	0.0021	0.0783	-0.0000	0.7221	1.01	180
SNB-WL-B1S	0.111	0.0001114	-0.004538	-0.0009	0.0766	-0.0000	0.8913	-1.351	160
SNB-WL-B2S	0.111	0.0001131	-0.001366	-0.0000	0.0802	-0.0000	-1.449	0.0001131	160
SNB-WL-B3S	0.111	0.0001146	-0.00454	0.0009	0.0766	-0.0000	0.8913	1.352	160
SNB-WL-C1S	0.08431	0.000101	-0.004702	-0.0009	0.0705	-0.0000	1.061	-1.692	140
SNB-WL-C2S	0.08431	0.0001024	-0.001037	-0.0000	0.0747	-0.0000	-1.87	0.0001024	140
SNB-WL-C3S	0.08431	0.0001037	-0.004704	0.0008	0.0705	0.0000	1.061	1.692	140
SNB-WL-D1S	0.06055	8.646e-005	-0.00491	-0.0020	0.0598	-0.0001	1.234	-2.033	120
SNB-WL-D2S	0.06055	8.806e-005	-0.00113	-0.0000	0.0656	-0.0000	-2.287	8.806e-005	120
SNB-WL-D3S	0.06055	8.946e-005	-0.004913	0.0019	0.0598	0.0001	1.234	2.033	120
SNB-WL-E1S	0.04098	6.787e-005	-0.004072	-0.0010	0.0458	-0.0001	1.411	-2.373	100
SNB-WL-E2S	0.04098	6.895e-005	-0.0007108	-0.0001	0.0498	-0.0000	-2.7	6.895e-005	100
SNB-WL-E3S	0.04098	6.985e-005	-0.004077	0.0008	0.0458	0.0001	1.411	2.373	100
SNB-WL-F1S	0.02585	4.38e-005	-0.004215	-0.0018	0.0360	-0.0001	1.593	-2.714	80
SNB-WL-F2S	0.02585	4.514e-005	-0.001108	-0.0001	0.0417	-0.0000	-3.108	4.514e-005	80
SNB-WL-F3S	0.02585	4.634e-005	-0.004221	0.0017	0.0360	0.0001	1.593	2.714	80
SNB-WL-G1S	0.01438	2.226e-005	-0.004505	-0.0029	0.0251	-0.0001	1.778	-3.055	60
SNB-WL-G2S	0.01438	2.368e-005	-0.001984	-0.0000	0.0314	-0.0000	-3.513	2.368e-005	60
SNB-WL-G3S	0.01438	2.499e-005	-0.004511	0.0028	0.0251	0.0001	1.778	3.055	60
SNB-WL-H1S	0.006354	8.152e-006	-0.004696	-0.0024	0.0159	-0.0001	1.967	-3.395	40
SNB-WL-H2S	0.006356	9.26e-006	-0.00289	-0.0000	0.0215	-0.0000	-3.914	9.26e-006	40
SNB-WL-H3S	0.006354	1.028e-005	-0.0047	0.0024	0.0159	0.0001	1.967	3.395	40
SNB-WL-I1S	0.001658	1.076e-006	-0.00488	-0.0019	0.0066	-0.0001	2.159	-3.736	20
SNB-WL-I2S	0.00166	1.801e-006	-0.003956	-0.0000	0.0113	0.0000	-4.312	1.801e-006	20
SNB-WL-I3S	0.001658	2.484e-006	-0.004881	0.0019	0.0066	0.0001	2.159	3.736	20
RohnAa1	0.1318	0.0001262	-0.003922	-0.0002	0.0795	-0.0012	-2.133	-3.923	175
RohnAa2	0.1319	0.0001723	-0.003934	-0.0002	0.0801	-0.0002	-2.133	3.923	175
RohnAb1	0.1248	0.000132	-0.003769	-0.0000	0.0800	-0.0012	-2.239	-4.094	170
RohnAb2	0.1249	0.0001392	-0.003773	-0.0002	0.0803	0.0000	-2.239	4.094	170
RohnAc1	0.1179	0.0001207	-0.003615	-0.0001	0.0791	-0.0012	-2.344	-4.264	165
RohnAc2	0.1179	0.000142	-0.003617	-0.0001	0.0792	0.0002	-2.344	4.264	165
RohnBa1	0.1041	0.0001232	-0.003317	-0.0003	0.0776	-0.0013	-2.555	-4.605	155
RohnBa2	0.1041	0.000124	-0.00332	0.0002	0.0776	0.0005	-2.555	4.605	155
RohnBb1	0.09743	0.0001035	-0.003178	-0.0001	0.0767	-0.0014	-2.66	-4.776	150
RohnBb2	0.09747	0.0001378	-0.003182	0.0000	0.0768	0.0007	-2.66	4.776	150

RohnBc1	0.0907	0.00012	-0.003015	0.0003	0.0760	-0.0015	-2.765	-4.947	145
RohnBc2	0.09074	0.0001145	-0.00302	-0.0004	0.0761	0.0009	-2.765	4.947	145
RohnCa1	0.07593	9.115e-005	-0.00269	-0.0004	0.0703	-0.0015	-3.009	-5.344	133.3
RohnCa2	0.07597	0.0001259	-0.002698	0.0003	0.0703	0.0011	-3.009	5.344	133.3
RohnCb1	0.06793	9.352e-005	-0.002499	0.0004	0.0665	-0.0015	-3.149	-5.571	126.7
RohnCb2	0.06796	0.0001111	-0.002507	-0.0005	0.0666	0.0011	-3.149	5.571	126.7
RohnDa1	0.05334	6.572e-005	-0.002096	-0.0004	0.0594	-0.0014	-3.425	-6.025	113.3
RohnDa2	0.05338	0.0001172	-0.002106	0.0003	0.0594	0.0011	-3.425	6.025	113.3
RohnDb1	0.04675	8.713e-005	-0.001874	0.0003	0.0530	-0.0013	-3.563	-6.252	106.7
RohnDb2	0.04678	8.316e-005	-0.001886	-0.0004	0.0531	0.0010	-3.563	6.252	106.7
RohnEa1	0.03541	7.791e-005	-0.001526	-0.0001	0.0456	-0.0012	-3.836	-6.706	93.34
RohnEa2	0.03544	6.315e-005	-0.001543	-0.0000	0.0456	0.0010	-3.836	6.706	93.34
RohnEb1	0.03037	8.549e-005	-0.001369	0.0001	0.0410	-0.0011	-3.973	-6.933	86.66
RohnEb2	0.0304	3.985e-005	-0.001389	-0.0003	0.0409	0.0009	-3.973	6.933	86.66
RohnFa1	0.01929	4.145e-005	-0.001025	-0.0001	0.0323	-0.0009	-4.311	-7.501	70
RohnFa2	0.01931	4.246e-005	-0.001045	-0.0000	0.0324	0.0007	-4.311	7.501	70
RohnGa1	0.009627	1.979e-005	-0.0006937	-0.0000	0.0229	-0.0006	-4.714	-8.182	50
RohnGa2	0.009646	2.295e-005	-0.0007086	-0.0001	0.0229	0.0006	-4.714	8.182	50
RohnHa1	0.003213	-4.496e-006	-0.0003925	-0.0000	0.0132	-0.0004	-5.115	-8.864	30
RohnHa2	0.003224	2.057e-005	-0.0004005	-0.0000	0.0133	0.0003	-5.115	8.864	30
RohnIa1	0.0002023	-3.448e-005	-0.0001228	-0.0001	0.0047	-0.0001	-5.512	-9.548	10
RohnIa2	0.0002058	3.743e-005	-0.0001252	0.0000	0.0048	0.0001	-5.512	9.548	10
SNB-Aa1	0.1318	0.0001048	-0.001617	0.0011	0.0792	-0.0002	-1.133	-2.191	175
SNB-Aa2	0.1318	0.0001369	-0.00162	-0.0012	0.0792	0.0002	-1.133	2.191	175
SNB-Ab1	0.1249	0.0001179	-0.001466	-0.0004	0.0804	-0.0002	-1.239	-2.362	170
SNB-Ab2	0.1249	0.000118	-0.001469	0.0004	0.0804	0.0002	-1.239	2.362	170
SNB-Ac1	0.1179	0.0001097	-0.001318	0.0008	0.0788	-0.0002	-1.344	-2.532	165
SNB-Ac2	0.1179	0.0001197	-0.001321	-0.0008	0.0787	0.0002	-1.344	2.532	165
SNB-Ba1	0.1041	9.777e-005	-0.001038	0.0008	0.0777	-0.0002	-1.555	-2.873	155
SNB-Ba2	0.1041	0.0001238	-0.001041	-0.0009	0.0777	0.0002	-1.555	2.873	155
SNB-Bb1	0.0974	0.0001179	-0.000907	-0.0004	0.0771	-0.0002	-1.66	-3.044	150
SNB-Bb2	0.0974	9.895e-005	-0.0009105	0.0003	0.0771	0.0002	-1.66	3.044	150
SNB-Bc1	0.09073	9.98e-005	-0.0007839	0.0007	0.0746	-0.0002	-1.765	-3.214	145
SNB-Bc2	0.09073	0.0001114	-0.0007878	-0.0008	0.0746	0.0002	-1.765	3.214	145
SNB-Ca1	0.07589	0.000112	-0.0005329	0.0005	0.0707	-0.0003	-2.009	-3.611	133.3
SNB-Ca2	0.07589	8.327e-005	-0.0005381	-0.0006	0.0707	0.0003	-2.009	3.611	133.3
SNB-Cb1	0.06792	9.831e-005	-0.0004087	0.0010	0.0649	-0.0003	-2.149	-3.839	126.7
SNB-Cb2	0.06792	8.748e-005	-0.0004146	-0.0011	0.0649	0.0003	-2.149	3.839	126.7
SNB-Da1	0.05332	8.101e-005	-0.000227	0.0012	0.0594	-0.0004	-2.425	-4.293	113.3
SNB-Da2	0.05332	8.38e-005	-0.0002348	-0.0013	0.0594	0.0004	-2.425	4.293	113.3
SNB-Db1	0.04673	9.628e-005	-0.0001627	0.0004	0.0522	-0.0003	-2.563	-4.52	106.7
SNB-Db2	0.04673	5.596e-005	-0.0001717	-0.0006	0.0522	0.0003	-2.563	4.52	106.7
SNB-Ea1	0.03545	5.218e-005	-7.356e-005	0.0005	0.0456	-0.0003	-2.836	-4.974	93.34
SNB-Ea2	0.03545	7.057e-005	-8.44e-005	-0.0007	0.0456	0.0003	-2.836	4.974	93.34
SNB-Eb1	0.0304	6.709e-005	-2.656e-005	0.0009	0.0401	-0.0002	-2.973	-5.201	86.66
SNB-Eb2	0.0304	3.975e-005	-3.795e-005	-0.0011	0.0401	0.0002	-2.973	5.201	86.66
SNB-Fa1	0.01925	6.207e-005	4.851e-005	0.0026	0.0310	-0.0002	-3.312	-5.769	70
SNB-Fa2	0.01925	5.706e-006	3.718e-005	-0.0027	0.0310	0.0002	-3.312	5.769	70
SNB-Ga1	0.009626	1.979e-005	7.93e-005	0.0028	0.0213	-0.0003	-3.714	-6.45	50
SNB-Ga2	0.009626	1.152e-005	7.042e-005	-0.0029	0.0213	0.0003	-3.714	6.45	50
SNB-Ha1	0.003229	-1.349e-005	7.113e-005	0.0024	0.0120	-0.0002	-4.114	-7.131	30
SNB-Ha2	0.003228	2.29e-005	6.584e-005	-0.0024	0.0120	0.0002	-4.114	7.131	30
SNB-Ia1	0.0001864	-2.527e-005	3.316e-005	0.0010	0.0042	-0.0001	-4.511	-7.813	10
SNB-Ia2	0.0001859	2.595e-005	3.152e-005	-0.0010	0.0042	0.0001	-4.511	7.813	10

Joint Support Reactions for Load Case "5: 0.9D + 1.0Dg + 1.0E":

Joint Label	X Force (kips)	X Usage % (kips)	Y Force (kips)	Y Usage % (kips)	Z Force (kips)	Z Usage % (kips)	Comp. Usage %	Uplift Usage %	Result. Force (kips)	Result. Usage % (ft-k)	X X-M. Usage % (ft-k)	Y Y-M. Usage % (ft-k)	Z Z-M. Usage % (ft-k)	Max. Usage %			
RohnJP	-2.25	0.0	0.00	0.0	36.46	0.0	0.0	0.0	36.53	0.0	-0.00	0.0	-0.5	0.0	0.0	0.0	
SNB-JP	-2.90	0.0	0.00	0.0	44.53	0.0	0.0	0.0	44.62	0.0	-0.00	0.0	-1.1	0.0	-0.00	0.0	0.0
RohnJ1	-0.03	0.0	0.09	0.0	4.00	0.0	0.0	0.0	4.00	0.0	-0.04	0.0	0.1	0.0	-0.00	0.0	0.0
RohnJ2	-0.03	0.0	-0.10	0.0	4.06	0.0	0.0	0.0	4.07	0.0	0.04	0.0	0.1	0.0	0.00	0.0	0.0
SNB-J1	-0.52	0.0	-0.66	0.0	-1.61	0.0	0.0	0.0	1.82	0.0	0.07	0.0	0.1	0.0	-0.01	0.0	0.0
SNB-J2	-0.52	0.0	0.66	0.0	-1.54	0.0	0.0	0.0	1.75	0.0	-0.07	0.0	0.1	0.0	0.01	0.0	0.0

Joint Displacements, Loads and Member Forces on Joints for Load Case "5: 0.9D + 1.0Dg + 1.0E":

Joint Label	X External Load (kips)	Y External Load (kips)	Z External Load (kips)	X Member Force (kips)	Y Member Force (kips)	Z Member Force (kips)	X Disp. (ft)	Y Disp. (ft)	Z Disp. (ft)
RohnAP	0.0984	0.0000	-0.2657	-0.0984	0.0000	0.2657	0.1388	0.0001	-0.0130
RohnBP	0.1982	0.0000	-0.9541	-0.1982	0.0000	0.9541	0.1110	0.0001	-0.0137
RohnCP	0.0454	0.0000	-0.3841	-0.0454	0.0000	0.3841	0.0843	0.0001	-0.0137
RohnDP	0.0371	0.0000	-0.4656	-0.0371	0.0000	0.4656	0.0606	0.0001	-0.0129
RohnEP	0.0369	0.0000	-0.5771	-0.0369	0.0000	0.5771	0.0410	0.0001	-0.0109
RohnFP	0.0403	0.0000	-0.7827	-0.0403	0.0000	0.7827	0.0259	0.0000	-0.0091
RohnGP	0.0389	0.0000	-1.0426	-0.0389	0.0000	1.0426	0.0144	0.0000	-0.0070
RohnHP	0.0253	0.0000	-1.0378	-0.0253	0.0000	1.0378	0.0064	-0.0000	-0.0049
RohnIP	0.0172	0.0000	-1.1643	-0.0172	0.0000	1.1643	0.0017	-0.0000	-0.0024
RohnJP	0.0000	0.0000	-0.6292	2.2545	-0.0031	-35.8286	0.0000	0.0000	0.0000
SNB-AP	0.0517	0.0000	-0.1397	-0.0517	0.0000	0.1397	0.1388	0.0001	-0.0066
SNB-BP	0.0628	0.0000	-0.3025	-0.0628	0.0000	0.3025	0.1110	0.0001	-0.0075
SNB-CP	0.0454	0.0000	-0.3841	-0.0454	0.0000	0.3841	0.0843	0.0001	-0.0080
SNB-DP	0.0371	0.0000	-0.4656	-0.0371	0.0000	0.4656	0.0606	0.0001	-0.0079
SNB-EP	0.0369	0.0000	-0.5771	-0.0369	0.0000	0.5771	0.0410	0.0001	-0.0069
SNB-FP	0.0403	0.0000	-0.7827	-0.0403	0.0000	0.7827	0.0259	0.0000	-0.0061
SNB-GP	0.0355	0.0000	-0.9526	-0.0355	-0.0000	0.9526	0.0144	0.0000	-0.0049
SNB-HP	0.0253	0.0000	-1.0378	-0.0253	0.0000	1.0378	0.0064	0.0000	-0.0035
SNB-IP	0.0172	0.0000	-1.1643	-0.0172	0.0000	1.1643	0.0017	0.0000	-0.0017
SNB-JP	0.0000	0.0000	-0.6292	2.9005	-0.0009	-43.8977	0.0000	0.0000	0.0000
RohnA1	0.0984	0.0000	-0.2657	-0.0984	0.0000	0.2657	0.1387	0.0002	-0.0041
RohnA2	0.1450	0.0000	-0.3917	-0.1450	-0.0000	0.3917	0.1389	0.0002	-0.0041
RohnB1	0.0841	0.0000	-0.4051	-0.0841	0.0000	0.4051	0.1110	0.0001	-0.0035
RohnB2	0.0720	0.0000	-0.3466	-0.0720	-0.0000	0.3466	0.1110	0.0001	-0.0035
RohnC1	0.0454	0.0000	-0.3841	-0.0454	0.0000	0.3841	0.0842	0.0001	-0.0029
RohnC2	0.0454	0.0000	-0.3841	-0.0454	-0.0000	0.3841	0.0843	0.0001	-0.0029
RohnD1	0.0421	0.0000	-0.5286	-0.0421	0.0000	0.5286	0.0604	0.0001	-0.0023
RohnD2	0.0371	0.0000	-0.4656	-0.0371	-0.0000	0.4656	0.0605	0.0001	-0.0023
RohnE1	0.0369	0.0000	-0.5771	-0.0369	0.0000	0.5771	0.0409	0.0001	-0.0017
RohnE2	0.0369	0.0000	-0.5771	-0.0369	-0.0000	0.5771	0.0410	0.0001	-0.0017
RohnF1	0.0403	0.0000	-0.7827	-0.0403	0.0000	0.7827	0.0258	0.0001	-0.0012
RohnF2	0.0471	0.0000	-0.9132	-0.0471	-0.0000	0.9132	0.0258	0.0000	-0.0013
RohnG1	0.0375	0.0000	-1.0066	-0.0375	0.0000	1.0066	0.0143	0.0001	-0.0009
RohnG2	0.0408	0.0000	-1.0930	-0.0408	-0.0000	1.0930	0.0144	0.0000	-0.0009
RohnH1	0.0253	0.0000	-1.0378	-0.0253	-0.0000	1.0378	0.0063	0.0000	-0.0006
RohnH2	0.0253	0.0000	-1.0378	-0.0253	-0.0000	1.0378	0.0063	-0.0000	-0.0006
RohnI1	0.0172	0.0000	-1.1643	-0.0172	0.0000	1.1643	0.0016	0.0000	-0.0003
RohnI2	0.0172	0.0000	-1.1643	-0.0172	0.0000	1.1643	0.0016	-0.0000	-0.0003
RohnJ1	0.0000	0.0000	-0.6292	0.0254	-0.0946	-3.3667	0.0000	0.0000	0.0000
RohnJ2	0.0000	0.0000	-0.6292	0.0288	0.0979	-3.4350	0.0000	0.0000	0.0000
SNB-A1	0.0517	0.0000	-0.1397	-0.0517	-0.0000	0.1397	0.1388	0.0001	-0.0018
SNB-A2	0.0517	0.0000	-0.1397	-0.0517	0.0000	0.1397	0.1388	0.0001	-0.0018
SNB-B1	0.0628	0.0000	-0.3025	-0.0628	-0.0000	0.3025	0.1110	0.0001	-0.0012
SNB-B2	0.0628	0.0000	-0.3025	-0.0628	0.0000	0.3025	0.1110	0.0001	-0.0012
SNB-C1	0.0454	0.0000	-0.3841	-0.0454	-0.0000	0.3841	0.0843	0.0001	-0.0007
SNB-C2	0.0454	0.0000	-0.3841	-0.0454	0.0000	0.3841	0.0843	0.0001	-0.0007
SNB-D1	0.0371	0.0000	-0.4656	-0.0371	-0.0000	0.4656	0.0605	0.0001	-0.0003
SNB-D2	0.0371	0.0000	-0.4656	-0.0371	0.0000	0.4656	0.0605	0.0001	-0.0003
SNB-E1	0.0369	0.0000	-0.5771	-0.0369	-0.0000	0.5771	0.0410	0.0001	-0.0001
SNB-E2	0.0369	0.0000	-0.5771	-0.0369	0.0000	0.5771	0.0410	0.0001	-0.0001
SNB-F1	0.0403	0.0000	-0.7827	-0.0403	-0.0000	0.7827	0.0258	0.0000	-0.0000
SNB-F2	0.0403	0.0000	-0.7827	-0.0403	0.0000	0.7827	0.0258	0.0000	-0.0000
SNB-G1	0.0355	0.0000	-0.9526	-0.0355	-0.0000	0.9526	0.0144	0.0000	0.0001
SNB-G2	0.0355	0.0000	-0.9526	-0.0355	0.0000	0.9526	0.0144	0.0000	0.0000
SNB-H1	0.0253	0.0000	-1.0378	-0.0253	0.0000	1.0378	0.0063	0.0000	0.0001
SNB-H2	0.0253	0.0000	-1.0378	-0.0253	0.0000	1.0378	0.0063	-0.0000	0.0001
SNB-I1	0.0172	0.0000	-1.1643	-0.0172	-0.0000	1.1643	0.0016	0.0000	0.0000
SNB-I2	0.0172	0.0000	-1.1643	-0.0172	-0.0000	1.1643	0.0016	-0.0000	0.0000
SNB-J1	0.0000	0.0000	-0.6292	0.5249	0.6607	2.2426	0.0000	0.0000	0.0000
SNB-J2	0.0000	0.0000	-0.6292	0.5235	-0.6601	2.1664	0.0000	0.0000	0.0000
RohnAaS	0.0601	0.0000	-0.1868	-0.0601	0.0000	0.1868	0.1318	0.0001	-0.0132
RohnAbS	0.0390	0.0000	-0.1397	-0.0390	0.0000	0.1397	0.1249	0.0001	-0.0134
RohnAcS	0.0452	0.0000	-0.1877	-0.0452	0.0000	0.1877	0.1179	0.0001	-0.0136

RohnBaS	0.0292	0.0000	-0.1628	-0.0292	0.0000	0.1628	0.1042	0.0001	-0.0138
RohnBbS	0.1346	0.0000	-0.8685	-0.1346	0.0000	0.8685	0.0974	0.0001	-0.0138
RohnBcS	0.0219	0.0000	-0.1628	-0.0219	0.0000	0.1628	0.0908	0.0001	-0.0138
RohnCaS	0.0726	0.0000	-0.7183	-0.0726	0.0000	0.7183	0.0761	0.0001	-0.0135
RohnCbS	0.1145	0.0000	-1.2921	-0.1145	0.0000	1.2921	0.0682	0.0001	-0.0133
RohnDaS	0.0834	0.0000	-1.1394	-0.0834	0.0000	1.1394	0.0536	0.0001	-0.0123
RohnDbS	0.0166	0.0000	-0.2443	-0.0166	0.0000	0.2443	0.0471	0.0001	-0.0117
RohnEaS	0.0200	0.0000	-0.3328	-0.0200	0.0000	0.3328	0.0357	0.0000	-0.0103
RohnEbS	0.0186	0.0000	-0.3328	-0.0186	0.0000	0.3328	0.0306	0.0000	-0.0097
RohnFaS	0.0200	0.0000	-0.4499	-0.0200	0.0000	0.4499	0.0200	0.0000	-0.0081
RohnGaS	0.0153	0.0000	-0.5027	-0.0153	0.0000	0.5027	0.0103	0.0000	-0.0060
RohnHaS	0.0104	0.0000	-0.5351	-0.0104	0.0000	0.5351	0.0040	-0.0000	-0.0037
RohnIaS	0.0059	0.0000	-0.6292	-0.0059	0.0000	0.6292	0.0008	-0.0000	-0.0012
SNB-AaS	0.0450	0.0000	-0.1397	-0.0450	0.0000	0.1397	0.1319	0.0001	-0.0069
SNB-AbS	0.0390	0.0000	-0.1397	-0.0390	0.0000	0.1397	0.1249	0.0001	-0.0071
SNB-AcS	0.0337	0.0000	-0.1397	-0.0337	0.0000	0.1397	0.1179	0.0001	-0.0073
SNB-BaS	0.0292	0.0000	-0.1628	-0.0292	0.0000	0.1628	0.1042	0.0001	-0.0077
SNB-BbS	0.0252	0.0000	-0.1628	-0.0252	0.0000	0.1628	0.0974	0.0001	-0.0078
SNB-BcS	0.0219	0.0000	-0.1628	-0.0219	0.0000	0.1628	0.0908	0.0001	-0.0079
SNB-CaS	0.0224	0.0000	-0.2213	-0.0224	0.0000	0.2213	0.0761	0.0001	-0.0080
SNB-CbS	0.0196	0.0000	-0.2213	-0.0196	0.0000	0.2213	0.0682	0.0001	-0.0080
SNB-DaS	0.0179	0.0000	-0.2443	-0.0179	0.0000	0.2443	0.0536	0.0001	-0.0076
SNB-DbS	0.0166	0.0000	-0.2443	-0.0166	0.0000	0.2443	0.0471	0.0001	-0.0073
SNB-EaS	0.0200	0.0000	-0.3328	-0.0200	0.0000	0.3328	0.0357	0.0001	-0.0067
SNB-EbS	0.0186	0.0000	-0.3328	-0.0186	0.0000	0.3328	0.0306	0.0001	-0.0064
SNB-FaS	0.0200	0.0000	-0.4499	-0.0200	0.0000	0.4499	0.0200	0.0000	-0.0056
SNB-GaS	0.0153	0.0000	-0.5027	-0.0153	0.0000	0.5027	0.0103	0.0000	-0.0043
SNB-HaS	0.0104	0.0000	-0.5351	-0.0104	0.0000	0.5351	0.0040	0.0000	-0.0027
SNB-IaS	0.0059	0.0000	-0.6292	-0.0059	0.0000	0.6292	0.0008	-0.0000	-0.0009
SNB-WL-A1S	0.0517	0.0000	-0.1397	-0.0517	0.0000	0.1397	0.1388	0.0001	-0.0043
SNB-WL-A2S	0.0517	0.0000	-0.1397	-0.0517	0.0000	0.1397	0.1388	0.0001	-0.0019
SNB-WL-A3S	0.0517	0.0000	-0.1397	-0.0517	-0.0000	0.1397	0.1388	0.0001	-0.0043
SNB-WL-B1S	0.0290	0.0000	-0.1397	-0.0290	0.0000	0.1397	0.1110	0.0001	-0.0045
SNB-WL-B2S	0.0290	0.0000	-0.1397	-0.0290	0.0000	0.1397	0.1110	0.0001	-0.0014
SNB-WL-B3S	0.0290	0.0000	-0.1397	-0.0290	-0.0000	0.1397	0.1110	0.0001	-0.0045
SNB-WL-C1S	0.0192	0.0000	-0.1628	-0.0192	0.0000	0.1628	0.0843	0.0001	-0.0047
SNB-WL-C2S	0.0192	0.0000	-0.1628	-0.0192	0.0000	0.1628	0.0843	0.0001	-0.0010
SNB-WL-C3S	0.0192	0.0000	-0.1628	-0.0192	-0.0000	0.1628	0.0843	0.0001	-0.0047
SNB-WL-D1S	0.0176	0.0000	-0.2213	-0.0176	0.0000	0.2213	0.0605	0.0001	-0.0049
SNB-WL-D2S	0.0176	0.0000	-0.2213	-0.0176	0.0000	0.2213	0.0606	0.0001	-0.0011
SNB-WL-D3S	0.0176	0.0000	-0.2213	-0.0176	-0.0000	0.2213	0.0605	0.0001	-0.0049
SNB-WL-E1S	0.0156	0.0000	-0.2443	-0.0156	0.0000	0.2443	0.0410	0.0001	-0.0041
SNB-WL-E2S	0.0156	0.0000	-0.2443	-0.0156	0.0000	0.2443	0.0410	0.0001	-0.0007
SNB-WL-E3S	0.0156	0.0000	-0.2443	-0.0156	-0.0000	0.2443	0.0410	0.0001	-0.0041
SNB-WL-F1S	0.0171	0.0000	-0.3328	-0.0171	0.0000	0.3328	0.0258	0.0000	-0.0042
SNB-WL-F2S	0.0171	0.0000	-0.3328	-0.0171	0.0000	0.3328	0.0259	0.0000	-0.0011
SNB-WL-F3S	0.0171	0.0000	-0.3328	-0.0171	-0.0000	0.3328	0.0258	0.0000	-0.0042
SNB-WL-G1S	0.0168	0.0000	-0.4499	-0.0168	0.0000	0.4499	0.0144	0.0000	-0.0045
SNB-WL-G2S	0.0168	0.0000	-0.4499	-0.0168	0.0000	0.4499	0.0144	0.0000	-0.0020
SNB-WL-G3S	0.0168	0.0000	-0.4499	-0.0168	-0.0000	0.4499	0.0144	0.0000	-0.0045
SNB-WL-H1S	0.0123	0.0000	-0.5027	-0.0123	0.0000	0.5027	0.0064	0.0000	-0.0047
SNB-WL-H2S	0.0123	0.0000	-0.5027	-0.0123	0.0000	0.5027	0.0064	0.0000	-0.0029
SNB-WL-H3S	0.0123	0.0000	-0.5027	-0.0123	-0.0000	0.5027	0.0064	0.0000	-0.0047
SNB-WL-I1S	0.0079	0.0000	-0.5351	-0.0079	0.0000	0.5351	0.0017	0.0000	-0.0049
SNB-WL-I2S	0.0079	0.0000	-0.5351	-0.0079	-0.0000	0.5351	0.0017	0.0000	-0.0040
SNB-WL-I3S	0.0079	0.0000	-0.5351	-0.0079	-0.0000	0.5351	0.0017	0.0000	-0.0049
RohnAa1	0.0663	0.0000	-0.2059	-0.0663	0.0000	0.2059	0.1318	0.0001	-0.0039
RohnAa2	0.0730	0.0000	-0.2266	-0.0730	-0.0000	0.2266	0.1319	0.0002	-0.0039
RohnAb1	0.0691	0.0000	-0.2477	-0.0691	0.0000	0.2477	0.1248	0.0001	-0.0038
RohnAb2	0.0390	0.0000	-0.1397	-0.0390	-0.0000	0.1397	0.1249	0.0001	-0.0038
RohnAc1	0.0337	0.0000	-0.1397	-0.0337	0.0000	0.1397	0.1179	0.0001	-0.0036
RohnAc2	0.0337	0.0000	-0.1397	-0.0337	-0.0000	0.1397	0.1179	0.0001	-0.0036
RohnBa1	0.0292	0.0000	-0.1628	-0.0292	0.0000	0.1628	0.1041	0.0001	-0.0033
RohnBa2	0.0292	0.0000	-0.1628	-0.0292	-0.0000	0.1628	0.1041	0.0001	-0.0033
RohnBb1	0.1308	0.0000	-0.8442	-0.1308	0.0000	0.8442	0.0974	0.0001	-0.0032
RohnBb2	0.1308	0.0000	-0.8442	-0.1308	-0.0000	0.8442	0.0975	0.0001	-0.0032
RohnBc1	0.0219	0.0000	-0.1628	-0.0219	0.0000	0.1628	0.0907	0.0001	-0.0030
RohnBc2	0.0219	0.0000	-0.1628	-0.0219	-0.0000	0.1628	0.0907	0.0001	-0.0030
RohnCa1	0.0781	0.0000	-0.7723	-0.0781	0.0000	0.7723	0.0759	0.0001	-0.0027

RohnCa2	0.0817	0.0000	-0.8083	-0.0817	-0.0000	0.8083	0.0760	0.0001	-0.0027
RohnCb1	0.1065	0.0000	-1.2021	-0.1065	0.0000	1.2021	0.0679	0.0001	-0.0025
RohnCb2	0.1065	0.0000	-1.2021	-0.1065	-0.0000	1.2021	0.0680	0.0001	-0.0025
RohnDa1	0.0764	0.0000	-1.0449	-0.0764	0.0000	1.0449	0.0533	0.0001	-0.0021
RohnDa2	0.0764	0.0000	-1.0449	-0.0764	-0.0000	1.0449	0.0534	0.0001	-0.0021
RohnDb1	0.0166	0.0000	-0.2443	-0.0166	0.0000	0.2443	0.0467	0.0001	-0.0019
RohnDb2	0.0166	0.0000	-0.2443	-0.0166	-0.0000	0.2443	0.0468	0.0001	-0.0019
RohnEa1	0.0200	0.0000	-0.3328	-0.0200	0.0000	0.3328	0.0354	0.0001	-0.0015
RohnEa2	0.0200	0.0000	-0.3328	-0.0200	-0.0000	0.3328	0.0354	0.0001	-0.0015
RohnEb1	0.0186	0.0000	-0.3328	-0.0186	0.0000	0.3328	0.0304	0.0001	-0.0014
RohnEb2	0.0186	0.0000	-0.3328	-0.0186	-0.0000	0.3328	0.0304	0.0000	-0.0014
RohnFa1	0.0200	0.0000	-0.4499	-0.0200	0.0000	0.4499	0.0193	0.0000	-0.0010
RohnFa2	0.0200	0.0000	-0.4499	-0.0200	-0.0000	0.4499	0.0193	0.0000	-0.0010
RohnGa1	0.0153	0.0000	-0.5027	-0.0153	-0.0000	0.5027	0.0096	0.0000	-0.0007
RohnGa2	0.0153	0.0000	-0.5027	-0.0153	-0.0000	0.5027	0.0096	0.0000	-0.0007
RohnHa1	0.0104	0.0000	-0.5351	-0.0104	-0.0000	0.5351	0.0032	-0.0000	-0.0004
RohnHa2	0.0104	0.0000	-0.5351	-0.0104	-0.0000	0.5351	0.0032	0.0000	-0.0004
RohnIa1	0.0059	0.0000	-0.6292	-0.0059	-0.0000	0.6292	0.0002	-0.0000	-0.0001
RohnIa2	0.0059	0.0000	-0.6292	-0.0059	-0.0000	0.6292	0.0002	0.0000	-0.0001
SNB-Aa1	0.0450	0.0000	-0.1397	-0.0450	-0.0000	0.1397	0.1318	0.0001	-0.0016
SNB-Aa2	0.0450	0.0000	-0.1397	-0.0450	0.0000	0.1397	0.1318	0.0001	-0.0016
SNB-Ab1	0.0390	0.0000	-0.1397	-0.0390	-0.0000	0.1397	0.1249	0.0001	-0.0015
SNB-Ab2	0.0390	0.0000	-0.1397	-0.0390	0.0000	0.1397	0.1249	0.0001	-0.0015
SNB-Ac1	0.0337	0.0000	-0.1397	-0.0337	-0.0000	0.1397	0.1179	0.0001	-0.0013
SNB-Ac2	0.0337	0.0000	-0.1397	-0.0337	0.0000	0.1397	0.1179	0.0001	-0.0013
SNB-Ba1	0.0292	0.0000	-0.1628	-0.0292	-0.0000	0.1628	0.1041	0.0001	-0.0010
SNB-Ba2	0.0292	0.0000	-0.1628	-0.0292	0.0000	0.1628	0.1041	0.0001	-0.0010
SNB-Bb1	0.0252	0.0000	-0.1628	-0.0252	-0.0000	0.1628	0.0974	0.0001	-0.0009
SNB-Bb2	0.0252	0.0000	-0.1628	-0.0252	0.0000	0.1628	0.0974	0.0001	-0.0009
SNB-Bc1	0.0219	0.0000	-0.1628	-0.0219	-0.0000	0.1628	0.0907	0.0001	-0.0008
SNB-Bc2	0.0219	0.0000	-0.1628	-0.0219	0.0000	0.1628	0.0907	0.0001	-0.0008
SNB-Ca1	0.0224	0.0000	-0.2213	-0.0224	-0.0000	0.2213	0.0759	0.0001	-0.0005
SNB-Ca2	0.0224	0.0000	-0.2213	-0.0224	0.0000	0.2213	0.0759	0.0001	-0.0005
SNB-Cb1	0.0196	0.0000	-0.2213	-0.0196	-0.0000	0.2213	0.0679	0.0001	-0.0004
SNB-Cb2	0.0196	0.0000	-0.2213	-0.0196	0.0000	0.2213	0.0679	0.0001	-0.0004
SNB-Da1	0.0179	0.0000	-0.2443	-0.0179	-0.0000	0.2443	0.0533	0.0001	-0.0002
SNB-Da2	0.0179	0.0000	-0.2443	-0.0179	0.0000	0.2443	0.0533	0.0001	-0.0002
SNB-Db1	0.0166	0.0000	-0.2443	-0.0166	-0.0000	0.2443	0.0467	0.0001	-0.0002
SNB-Db2	0.0166	0.0000	-0.2443	-0.0166	0.0000	0.2443	0.0467	0.0001	-0.0002
SNB-Ea1	0.0200	0.0000	-0.3328	-0.0200	-0.0000	0.3328	0.0354	0.0001	-0.0001
SNB-Ea2	0.0200	0.0000	-0.3328	-0.0200	0.0000	0.3328	0.0354	0.0001	-0.0001
SNB-Eb1	0.0186	0.0000	-0.3328	-0.0186	-0.0000	0.3328	0.0304	0.0001	-0.0000
SNB-Eb2	0.0186	0.0000	-0.3328	-0.0186	0.0000	0.3328	0.0304	0.0000	-0.0000
SNB-Fa1	0.0200	0.0000	-0.4499	-0.0200	-0.0000	0.4499	0.0192	0.0001	0.0000
SNB-Fa2	0.0200	0.0000	-0.4499	-0.0200	0.0000	0.4499	0.0192	0.0000	0.0000
SNB-Ga1	0.0153	0.0000	-0.5027	-0.0153	0.0000	0.5027	0.0096	0.0000	0.0001
SNB-Ga2	0.0153	0.0000	-0.5027	-0.0153	0.0000	0.5027	0.0096	0.0000	0.0001
SNB-Ha1	0.0104	0.0000	-0.5351	-0.0104	0.0000	0.5351	0.0032	-0.0000	0.0001
SNB-Ha2	0.0104	0.0000	-0.5351	-0.0104	0.0000	0.5351	0.0032	0.0000	0.0001
SNB-Ia1	0.0059	0.0000	-0.6292	-0.0059	0.0000	0.6292	0.0002	-0.0000	0.0000
SNB-Ia2	0.0059	0.0000	-0.6292	-0.0059	0.0000	0.6292	0.0002	0.0000	0.0000

Moments for Angles Modeled as Beams:

Angle Label	Torsion (ft-lbs)	Origin X Moment (ft-lbs)	Origin Y Moment (ft-lbs)	End X Moment (ft-lbs)	End Y Moment (ft-lbs)	X Shear (lbs)	Y Shear (lbs)
Rohn-LA1P	-0.19	0.10	0.82	0.06	-3.18	0.03	-0.47
Rohn-LA11	0.01	-0.37	0.42	-2.41	0.99	-0.56	0.28
Rohn-LA12	-0.41	0.33	0.60	2.51	0.09	0.57	0.14
Rohn-LA2P	-0.19	-0.06	3.18	-0.67	5.37	-0.15	1.71
Rohn-LA21	0.01	2.41	-0.99	1.75	-3.65	0.83	-0.93
Rohn-LA22	-0.41	-2.51	-0.09	-2.72	-1.13	-1.04	-0.25
Rohn-LA3P	-0.19	0.67	-5.37	1.00	-4.35	0.33	-1.94
Rohn-LA31	0.01	-1.75	3.65	-1.57	8.35	-0.66	2.40
Rohn-LA32	-0.41	2.72	1.13	2.06	6.64	0.95	1.55
Rohn-LA4P	-0.19	-1.00	4.35	-0.46	10.23	-0.29	2.91
Rohn-LA41	0.01	1.57	-8.35	0.92	-8.56	0.50	-3.38

Rohn-LA42	-0.41	-2.06	-6.64	-1.50	-7.05	-0.71	-2.74
Rohn-LB1P	-0.11	0.47	-8.97	0.41	-5.98	0.18	-2.99
Rohn-LB11	0.41	-1.32	9.32	1.23	22.30	-0.02	6.32
Rohn-LB12	-0.63	1.86	7.82	-0.99	21.67	0.17	5.89
Rohn-LB2P	-0.11	-0.41	5.98	-0.16	17.52	-0.11	4.70
Rohn-LB21	0.41	-1.23	-22.30	-2.52	-14.94	-0.75	-7.44
Rohn-LB22	-0.63	0.99	-21.67	2.50	-14.69	0.70	-7.27
Rohn-LB3P	-0.11	0.16	-17.52	0.10	-7.32	0.05	-4.96
Rohn-LB31	0.41	2.52	14.94	-1.20	20.34	0.26	7.05
Rohn-LB32	-0.63	-2.50	14.69	1.27	20.19	-0.25	6.97
Rohn-LB4P	-0.11	-0.10	7.32	-0.04	28.51	-0.03	7.16
Rohn-LB41	0.41	1.20	-20.34	5.69	9.22	1.38	-2.22
Rohn-LB42	-0.63	-1.27	-20.19	-5.74	9.46	-1.40	-2.15
Rohn-LC1P	-0.11	0.04	-28.51	0.07	9.43	0.02	-2.86
Rohn-LC11	0.41	-5.69	-9.22	-3.48	11.77	-1.38	0.38
Rohn-LC12	-0.63	5.74	-9.46	3.65	11.40	1.41	0.29
Rohn-LC2P	-0.11	-0.07	-9.43	-0.02	5.82	-0.01	-0.54
Rohn-LC21	0.41	3.48	-11.77	-4.67	24.17	-0.18	1.86
Rohn-LC22	-0.63	-3.65	-11.40	4.57	24.29	0.14	1.93
Rohn-LC3P	-0.11	0.02	-5.82	-0.07	43.50	-0.01	5.65
Rohn-LC31	0.41	4.67	-24.17	12.43	14.67	2.57	-1.43
Rohn-LC32	-0.63	-4.57	-24.29	-12.49	15.06	-2.56	-1.38
Rohn-LD1P	-0.11	0.07	-43.50	0.37	30.84	0.07	-1.90
Rohn-LD11	0.41	-12.43	-14.67	-12.64	31.72	-3.76	2.56
Rohn-LD12	-0.63	12.49	-15.06	12.84	31.36	3.80	2.44
Rohn-LD2P	-0.11	-0.37	-30.84	-0.12	7.05	-0.07	-3.56
Rohn-LD21	0.41	12.65	-31.72	3.25	62.95	2.38	4.67
Rohn-LD22	-0.63	-12.84	-31.36	-3.16	63.14	-2.39	4.75
Rohn-LD3P	-0.11	0.12	-7.05	0.09	85.23	0.03	11.73
Rohn-LD31	0.41	-3.25	-62.95	3.35	5.78	0.02	-8.58
Rohn-LD32	-0.63	3.16	-63.14	-3.28	5.72	-0.02	-8.62
Rohn-LE1P	-0.11	-0.09	-85.23	0.12	9.05	0.00	-11.43
Rohn-LE11	0.41	-3.35	-5.78	-4.26	52.93	-1.14	7.07
Rohn-LE12	-0.63	3.28	-5.72	4.33	52.79	1.14	7.06
Rohn-LE2P	-0.11	-0.12	-9.05	-0.34	11.04	-0.07	0.30
Rohn-LE21	0.41	4.26	-52.93	-0.80	43.27	0.52	-1.44
Rohn-LE22	-0.63	-4.33	-52.79	0.76	43.79	-0.53	-1.35
Rohn-LE3P	-0.11	0.34	-11.04	0.54	131.49	0.13	18.07
Rohn-LE31	0.41	0.80	-43.27	8.32	-7.32	1.37	-7.59
Rohn-LE32	-0.63	-0.76	-43.79	-8.07	-8.50	-1.33	-7.85
Rohn-LF1P	-0.11	-0.54	-131.49	-0.91	-66.64	-0.14	-19.80
Rohn-LF11	0.41	-8.32	7.32	-11.22	166.84	-1.95	17.40
Rohn-LF12	-0.63	8.07	8.50	10.76	167.89	1.88	17.63
Rohn-LF2P	-0.11	0.91	66.64	0.54	208.72	0.15	27.52
Rohn-LF21	0.41	11.22	-166.83	11.28	-60.35	2.25	-22.70
Rohn-LF22	-0.63	-10.76	-167.89	-11.28	-61.43	-2.20	-22.91
Rohn-LG1P	-0.11	-0.54	-208.72	-0.81	-96.73	-0.13	-30.53
Rohn-LG11	0.41	-11.28	60.35	-13.18	190.49	-2.44	25.07
Rohn-LG12	-0.63	11.28	61.43	12.74	191.25	2.40	25.25
Rohn-LG2P	-0.11	0.81	96.73	0.30	233.19	0.11	32.97
Rohn-LG21	0.41	13.18	-190.49	15.72	-72.98	2.89	-26.33
Rohn-LG22	-0.63	-12.74	-191.25	-15.98	-73.40	-2.87	-26.44
Rohn-LH1P	-0.11	-0.30	-233.19	-0.30	-119.75	-0.06	-35.27
Rohn-LH11	0.40	-15.72	72.98	-19.01	214.80	-3.47	28.76
Rohn-LH12	-0.62	15.98	73.40	18.73	215.21	3.47	28.84
Rohn-LH2P	-0.11	0.30	119.75	0.01	296.37	0.03	41.59
Rohn-LH21	0.40	19.01	-214.80	26.53	-100.84	4.55	-31.54
Rohn-LH22	-0.62	-18.73	-215.21	-26.80	-101.24	-4.55	-31.62
Rohn-LI1P	-0.11	-0.01	-296.37	-0.87	-180.61	-0.09	-47.67
Rohn-LI11	0.40	-26.53	100.84	-39.35	358.01	-6.58	45.85
Rohn-LI12	-0.62	26.80	101.24	39.15	357.94	6.59	45.88
Rohn-LI2P	-0.11	0.87	180.61	1.76	485.98	0.26	66.62
Rohn-LI21	0.40	39.35	-358.01	35.17	-70.29	7.45	-42.80
Rohn-LI22	-0.62	-39.15	-357.94	-36.56	-68.43	-7.57	-42.60
Rohn-H1P	0.02	0.42	0.01	0.52	-0.06	0.12	-0.01
Rohn-H11	0.02	-0.09	0.05	0.03	0.18	-0.01	0.03
Rohn-H12	0.02	-0.64	0.24	-0.52	0.18	-0.16	0.06
Rohn-H2P	-0.03	0.74	-0.14	0.84	-0.25	0.18	-0.04
Rohn-H21	0.01	-0.00	-0.16	-0.04	0.07	-0.00	-0.01

Rohn-H22	0.04	-0.86	0.17	-0.75	0.06	-0.18	0.03
SNB-LA1P	-0.00	0.10	57.78	0.37	9.92	0.09	13.53
SNB-LA11	0.02	48.64	-26.55	9.78	-4.59	11.67	-6.22
SNB-LA12	-0.02	-48.97	-26.87	-10.14	-5.23	-11.81	-6.41
SNB-LA2P	-0.00	-0.37	-9.92	-0.59	6.39	-0.19	-0.71
SNB-LA21	0.02	-9.78	4.59	1.20	-4.11	-1.71	0.10
SNB-LA22	-0.02	10.14	5.23	-0.98	-3.30	1.83	0.39
SNB-LA3P	-0.00	0.59	-6.39	0.42	-16.59	0.20	-4.59
SNB-LA31	0.02	-1.20	4.11	-9.49	15.67	-2.14	3.95
SNB-LA32	-0.02	0.98	3.30	9.15	14.99	2.02	3.66
SNB-LA4P	-0.00	-0.42	16.59	-0.27	57.76	-0.14	14.86
SNB-LA41	0.02	9.49	-15.67	34.33	-26.03	8.76	-8.33
SNB-LA42	-0.02	-9.15	-14.99	-34.02	-25.54	-8.63	-8.10
SNB-LB1P	-0.00	0.28	91.63	0.17	14.52	0.09	21.21
SNB-LB11	0.41	74.14	-27.00	10.46	17.01	16.91	-2.00
SNB-LB12	-0.41	-74.21	-27.37	-10.50	16.79	-16.93	-2.11
SNB-LB2P	-0.00	-0.17	-14.52	-0.07	37.34	-0.05	4.56
SNB-LB21	0.41	-10.46	-17.01	10.40	-6.57	-0.01	-4.71
SNB-LB22	-0.41	10.50	-16.79	-10.27	-6.41	0.05	-4.64
SNB-LB3P	-0.00	0.07	-37.34	0.12	-44.87	0.04	-16.43
SNB-LB31	0.41	-10.40	6.57	-29.46	50.91	-7.97	11.49
SNB-LB32	-0.41	10.27	6.41	29.52	50.80	7.95	11.43
SNB-LB4P	-0.00	-0.12	44.87	-0.02	178.82	-0.03	44.71
SNB-LB41	0.41	29.46	-50.91	96.78	-52.42	25.23	-20.65
SNB-LB42	-0.41	-29.52	-50.80	-96.70	-52.35	-25.22	-20.61
SNB-LC1P	-0.00	0.01	55.37	0.02	47.37	0.01	15.42
SNB-LC11	0.84	78.55	-39.13	30.77	13.89	16.40	-3.79
SNB-LC12	-0.84	-78.67	-39.21	-30.80	13.85	-16.42	-3.80
SNB-LC2P	-0.00	-0.02	-47.37	0.02	-36.23	0.00	-12.51
SNB-LC21	0.84	-30.77	-13.89	-37.30	62.50	-10.18	7.27
SNB-LC22	-0.84	30.80	-13.85	37.29	62.46	10.18	7.27
SNB-LC3P	-0.00	-0.02	36.24	-0.00	203.07	-0.00	35.91
SNB-LC31	0.84	37.31	-62.50	118.27	-72.53	23.34	-20.26
SNB-LC32	-0.84	-37.29	-62.46	-118.09	-72.43	-23.31	-20.24
SNB-LD1P	-0.00	0.02	163.22	0.17	111.60	0.03	41.24
SNB-LD11	1.12	181.10	-92.73	49.94	35.44	34.66	-8.59
SNB-LD12	-1.12	-181.24	-92.83	-49.87	35.29	-34.67	-8.63
SNB-LD2P	-0.00	-0.17	-111.60	0.02	-49.04	-0.02	-24.03
SNB-LD21	1.12	-49.94	-35.44	-33.61	112.44	-12.50	11.52
SNB-LD22	-1.12	49.87	-35.29	33.83	112.54	12.52	11.56
SNB-LD3P	-0.00	-0.02	49.04	0.04	285.57	0.00	50.21
SNB-LD31	1.12	33.61	-112.44	107.57	-61.24	21.18	-26.06
SNB-LD32	-1.12	-33.83	-112.54	-107.57	-61.27	-21.21	-26.08
SNB-LE1P	-0.01	-0.06	203.50	0.26	158.21	0.03	54.27
SNB-LE11	1.89	272.33	-142.94	80.54	73.20	52.94	-10.46
SNB-LE12	-1.89	-272.53	-142.99	-80.45	72.95	-52.96	-10.51
SNB-LE2P	-0.01	-0.26	-158.21	-0.19	-103.66	-0.07	-39.17
SNB-LE21	1.88	-80.54	-73.20	-101.70	212.42	-27.26	20.82
SNB-LE22	-1.88	80.45	-72.95	102.08	212.86	27.30	20.93
SNB-LE3P	-0.01	0.19	103.66	0.15	732.50	0.05	125.46
SNB-LE31	1.89	101.70	-212.42	383.62	-294.51	72.81	-76.05
SNB-LE32	-1.89	-102.08	-212.86	-384.33	-295.08	-72.98	-76.21
SNB-LF1P	0.00	-0.24	-6.48	-0.49	-164.19	-0.07	-17.05
SNB-LF11	2.73	232.03	-44.85	-11.64	326.66	22.02	28.16
SNB-LF12	-2.74	-231.69	-44.38	11.61	327.20	-21.99	28.26
SNB-LF2P	0.00	0.49	164.19	0.18	761.72	0.07	92.53
SNB-LF21	2.73	11.65	-326.66	306.90	-341.92	31.83	-66.81
SNB-LF22	-2.74	-11.61	-327.20	-307.70	-342.59	-31.91	-66.93
SNB-LG1P	0.01	-0.21	344.91	-1.07	-206.67	-0.13	13.81
SNB-LG11	4.42	658.05	-207.00	5.56	550.88	66.31	34.36
SNB-LG12	-4.44	-657.35	-206.35	-6.22	551.73	-66.31	34.51
SNB-LG2P	0.01	1.07	206.67	0.34	1327.71	0.14	153.33
SNB-LG21	4.42	-5.56	-550.88	618.03	-570.01	61.20	-112.00
SNB-LG22	-4.44	6.22	-551.73	-618.89	-570.89	-61.22	-112.17
SNB-LH1P	0.01	-0.34	100.93	-1.10	-258.38	-0.14	-15.73
SNB-LH11	4.15	603.22	-128.32	9.80	583.12	61.25	45.44
SNB-LH12	-4.16	-602.38	-127.45	-10.46	584.00	-61.24	45.62
SNB-LH2P	0.01	1.10	258.38	0.41	1278.90	0.15	153.62
SNB-LH21	4.14	-9.80	-583.12	480.51	-535.02	47.03	-111.73

SNB-LH22	-4.16	10.46	-584.00	-481.30	-535.95	-47.05	-111.91
SNB-LI1P	0.00	-0.41	408.94	-1.53	-126.99	-0.19	28.18
SNB-LI11	2.29	979.24	-300.97	214.28	762.78	119.26	46.14
SNB-LI12	-2.30	-978.39	-300.02	-215.44	763.86	-119.29	46.35
SNB-LI2P	0.00	1.53	126.99	0.87	1050.54	0.24	117.67
SNB-LI21	2.26	-214.28	-762.78	-71.17	-137.29	-28.52	-89.94
SNB-LI22	-2.27	215.44	-763.86	70.95	-138.37	28.62	-90.15
SNB-H1aP	-0.29	33.52	-2.72	108.90	-2.05	70.49	-2.36
SNB-H1bP	-0.29	-108.91	2.05	-30.89	-1.14	-69.19	0.45
SNB-H1cP	-0.07	32.95	1.07	108.07	3.67	69.80	2.35
SNB-H1dP	-0.07	-108.07	-3.67	-33.09	-1.08	-69.87	-2.35
SNB-H1eP	0.37	31.13	1.14	108.75	-2.12	69.23	-0.48
SNB-H1fP	0.37	-108.75	2.12	-33.59	2.72	-70.45	2.39
SNB-H2aP	-1.03	86.81	-0.63	114.49	-0.62	74.48	-0.46
SNB-H2bP	-1.03	-114.49	0.62	-61.79	-1.17	-65.22	-0.20
SNB-H2cP	0.02	76.68	0.45	112.20	2.28	69.88	1.01
SNB-H2dP	0.02	-112.20	-2.28	-76.52	-0.46	-69.82	-1.01
SNB-H2eP	1.02	61.67	1.17	114.53	-0.67	65.19	0.19
SNB-H2fP	1.02	-114.53	0.67	-86.86	0.63	-74.51	0.48
SNB-H3aP	-0.52	135.52	0.59	154.57	0.16	85.71	0.22
SNB-H3bP	-0.52	-154.57	-0.16	-105.96	-1.68	-76.98	-0.54
SNB-H3cP	0.00	121.93	0.91	153.43	2.87	81.36	1.12
SNB-H3dP	0.00	-153.43	-2.87	-121.95	-0.91	-81.37	-1.12
SNB-H3eP	0.52	105.97	1.68	154.57	0.15	76.98	0.54
SNB-H3fP	0.52	-154.57	-0.15	-135.50	-0.59	-85.71	-0.22
SNB-H4aP	-0.70	211.87	1.51	248.04	0.53	113.11	0.50
SNB-H4bP	-0.69	-248.04	-0.53	-191.12	-2.45	-108.01	-0.73
SNB-H4cP	-0.00	203.26	1.91	246.64	4.83	110.65	1.66
SNB-H4dP	-0.00	-246.64	-4.83	-203.23	-1.91	-110.64	-1.66
SNB-H4eP	0.70	191.11	2.45	248.03	0.52	108.00	0.73
SNB-H4fP	0.70	-248.03	-0.52	-211.89	-1.50	-113.11	-0.50
SNB-H5aP	-0.76	282.84	2.33	320.01	0.55	127.00	0.61
SNB-H5bP	-0.76	-320.01	-0.55	-236.09	-3.66	-117.16	-0.89
SNB-H5cP	-0.00	261.25	2.37	318.46	7.25	122.13	2.03
SNB-H5dP	-0.00	-318.46	-7.25	-261.41	-2.37	-122.16	-2.02
SNB-H5eP	0.76	236.17	3.65	320.00	0.55	117.17	0.89
SNB-H5fP	0.76	-320.00	-0.55	-282.77	-2.33	-126.99	-0.61
SNB-H6aP	-3.61	421.33	2.19	495.08	1.00	168.82	0.59
SNB-H6bP	-3.61	-495.08	-1.00	-393.72	-3.79	-163.74	-0.88
SNB-H6cP	0.01	415.76	2.40	487.22	6.38	166.35	1.62
SNB-H6dP	0.00	-487.22	-6.38	-416.07	-2.40	-166.40	-1.62
SNB-H6eP	3.61	393.86	3.80	495.09	1.02	163.76	0.89
SNB-H6fP	3.61	-495.09	-1.02	-421.17	-2.21	-168.79	-0.59
SNB-H7aP	-2.93	640.63	0.14	736.07	-0.93	225.33	-0.13
SNB-H7bP	-2.93	-736.07	0.93	-635.20	-1.97	-224.44	-0.17
SNB-H7cP	0.01	644.96	0.00	730.01	3.98	225.04	0.65
SNB-H7dP	0.01	-730.01	-3.98	-645.06	0.00	-225.06	-0.65
SNB-H7eP	2.92	635.23	1.97	736.08	-0.92	224.44	0.17
SNB-H7fP	2.92	-736.08	0.92	-640.57	-0.15	-225.32	0.13
SNB-H8aP	-0.59	825.17	0.32	890.04	-0.98	252.59	-0.10
SNB-H8bP	-0.59	-890.04	0.98	-806.21	-1.02	-249.80	-0.01
SNB-H8cP	0.00	817.87	1.03	889.58	4.34	251.45	0.79
SNB-H8dP	0.00	-889.58	-4.34	-817.90	-1.03	-251.45	-0.79
SNB-H8eP	0.59	806.21	1.01	890.04	-0.99	249.80	0.00
SNB-H8fP	0.59	-890.04	0.99	-825.16	-0.31	-252.59	0.10
SNB-H9aP	-1.72	975.46	0.21	1027.37	-1.24	268.04	-0.14
SNB-H9bP	-1.72	-1027.37	1.24	-965.67	0.04	-266.73	0.17
SNB-H9cP	0.00	975.74	1.56	1024.81	4.21	267.74	0.77
SNB-H9dP	0.00	-1024.81	-4.21	-975.70	-1.56	-267.73	-0.77
SNB-H9eP	1.71	965.64	-0.05	1027.37	-1.25	266.73	-0.17
SNB-H9fP	1.72	-1027.37	1.25	-975.47	-0.20	-268.04	0.14

Equilibrium Joint Positions and Rotations for Load Case "6: Service 1.0D + 1.0Dg + 1.0 Wo":

Joint Label	X-Displ (ft)	Y-Displ (ft)	Z-Displ (ft)	X-Rot (deg)	Y-Rot (deg)	Z-Rot (deg)	X-Pos (ft)	Y-Pos (ft)	Z-Pos (ft)
RohnAP	0.3932	-7.69e-005	-0.02351	0.0012	0.2022	0.0025	4.726	-7.69e-005	180
RohnBP	0.3224	8.938e-005	-0.02575	-0.0003	0.2019	0.0024	5.443	8.938e-005	160
RohnCP	0.2526	2.328e-005	-0.02681	-0.0002	0.1945	0.0016	6.162	2.328e-005	140
RohnDP	0.1875	-1.112e-005	-0.02646	-0.0001	0.1761	0.0011	6.882	-1.112e-005	120
RohnEP	0.1306	-5.869e-005	-0.02353	-0.0002	0.1452	0.0007	7.612	-5.869e-005	99.98
RohnFP	0.08451	-0.0001146	-0.0203	-0.0001	0.1142	0.0005	8.353	-0.0001146	79.98
RohnGP	0.04838	-0.0001187	-0.01626	0.0001	0.0873	0.0003	9.103	-0.0001187	59.98
RohnHP	0.02221	-8.392e-005	-0.01165	0.0002	0.0597	0.0002	9.863	-8.392e-005	39.99
RohnIP	0.006264	-4.403e-005	-0.005714	0.0001	0.0266	0.0001	10.64	-4.403e-005	19.99
RohnJP	0	0	0	0.0000	0.0000	0.0000	11.42	0	0
SNB-AP	0.3933	-0.0002711	-0.0125	0.0004	0.1972	-0.0000	2.726	-0.0002711	180
SNB-BP	0.3224	-0.000193	-0.01494	0.0002	0.1976	-0.0000	3.443	-0.000193	160
SNB-CP	0.2526	-0.0001187	-0.0168	0.0002	0.1899	0.0000	4.161	-0.0001187	140
SNB-DP	0.1875	-6.193e-005	-0.01746	0.0001	0.1688	-0.0000	4.882	-6.193e-005	120
SNB-EP	0.1306	-2.831e-005	-0.0161	0.0001	0.1389	-0.0000	5.612	-2.831e-005	99.98
SNB-FP	0.08452	-1.476e-005	-0.01493	0.0000	0.1102	0.0000	6.353	-1.476e-005	79.99
SNB-GP	0.04838	-8.971e-006	-0.01233	0.0000	0.0771	0.0000	7.103	-8.971e-006	59.99
SNB-HP	0.02221	-4.558e-006	-0.009127	0.0000	0.0525	0.0000	7.863	-4.558e-006	39.99
SNB-IP	0.006264	-1.705e-006	-0.004613	0.0000	0.0220	0.0000	8.634	-1.705e-006	20
SNB-JP	0	0	0	0.0000	0.0000	0.0000	9.415	0	0
RohnA1	0.3935	-0.0003692	-0.0006919	-0.0003	0.2033	0.0014	-1.773	-3.753	180
RohnA2	0.3932	-0.0003549	-0.0006777	0.0004	0.2031	0.0035	-1.773	3.752	180
RohnB1	0.3227	-0.000345	0.0008413	0.0010	0.2037	0.0004	-2.238	-4.435	160
RohnB2	0.3222	-0.0003376	0.0008809	-0.0002	0.2033	0.0046	-2.238	4.435	160
RohnC1	0.2527	-0.0001222	0.002221	-0.0005	0.1932	-0.0018	-2.702	-5.117	140
RohnC2	0.2524	-0.000259	0.002254	0.0013	0.1925	0.0050	-2.702	5.117	140
RohnD1	0.1873	2.383e-005	0.003262	-0.0008	0.1756	-0.0028	-3.16	-5.798	120
RohnD2	0.1872	-0.0002116	0.003291	0.0014	0.1751	0.0049	-3.16	5.798	120
RohnE1	0.1306	1.679e-005	0.003677	-0.0002	0.1451	-0.0028	-3.61	-6.479	100
RohnE2	0.1306	-4.122e-005	0.00369	0.0006	0.1446	0.0042	-3.61	6.479	100
RohnF1	0.08422	0.0001462	0.003667	0.0015	0.1207	-0.0028	-4.05	-7.16	80
RohnF2	0.08445	-4.786e-005	0.003666	-0.0013	0.1205	0.0037	-4.05	7.16	80
RohnG1	0.0482	9.385e-005	0.003216	0.0005	0.0891	-0.0021	-4.479	-7.842	60
RohnG2	0.04844	2.471e-005	0.003212	-0.0005	0.0891	0.0028	-4.479	7.842	60
RohnH1	0.02203	9.13e-005	0.002458	0.0005	0.0616	-0.0016	-4.898	-8.522	40
RohnH2	0.02217	-2.014e-005	0.002457	-0.0006	0.0617	0.0020	-4.898	8.523	40
RohnI1	0.006193	3.386e-005	0.001246	0.0007	0.0306	-0.0009	-5.309	-9.206	20
RohnI2	0.006265	4.728e-006	0.001247	-0.0008	0.0308	0.0010	-5.309	9.206	20
RohnJ1	0	0	0	0.0000	0.0000	0.0000	-5.71	-9.89	0
RohnJ2	0	0	0	0.0000	0.0000	0.0000	-5.71	9.89	0
SNB-A1	0.3933	-0.0002716	-0.0001109	-0.0046	0.2061	-0.0002	-0.7732	-2.021	180
SNB-A2	0.3933	-0.0002703	-9.572e-005	0.0050	0.2059	0.0002	-0.7732	2.02	180
SNB-B1	0.3225	-0.0001945	0.001431	-0.0027	0.2040	-0.0002	-1.238	-2.703	160
SNB-B2	0.3225	-0.000191	0.001451	0.0032	0.2040	0.0003	-1.238	2.703	160
SNB-C1	0.2526	-0.0001197	0.002805	-0.0030	0.1967	-0.0005	-1.701	-3.385	140
SNB-C2	0.2526	-0.0001183	0.002827	0.0034	0.1967	0.0005	-1.701	3.384	140
SNB-D1	0.1875	-5.093e-005	0.003749	-0.0053	0.1799	-0.0010	-2.16	-4.066	120
SNB-D2	0.1875	-7.27e-005	0.003767	0.0055	0.1799	0.0010	-2.16	4.066	120
SNB-E1	0.1306	-1.411e-005	0.003931	-0.0031	0.1457	-0.0008	-2.61	-4.747	100
SNB-E2	0.1306	-4.206e-005	0.003941	0.0033	0.1456	0.0008	-2.61	4.747	100
SNB-F1	0.08448	-3.641e-006	0.003968	-0.0036	0.1233	-0.0008	-3.05	-5.428	80
SNB-F2	0.08448	-2.694e-005	0.003974	0.0037	0.1233	0.0008	-3.05	5.428	80
SNB-G1	0.04833	1.957e-005	0.003454	-0.0052	0.0931	-0.0010	-3.479	-6.11	60
SNB-G2	0.04833	-3.867e-005	0.003458	0.0052	0.0931	0.0010	-3.479	6.11	60
SNB-H1	0.02213	3.473e-005	0.002659	-0.0057	0.0645	-0.0010	-3.898	-6.79	40
SNB-H2	0.02213	-4.381e-005	0.002661	0.0057	0.0645	0.0010	-3.898	6.79	40
SNB-I1	0.006161	5.204e-005	0.001377	-0.0034	0.0337	-0.0009	-4.308	-7.472	20
SNB-I2	0.006162	-5.523e-005	0.001378	0.0034	0.0337	0.0009	-4.308	7.472	20
SNB-J1	0	0	0	0.0000	0.0000	0.0000	-4.708	-8.154	0
SNB-J2	0	0	0	0.0000	0.0000	0.0000	-4.708	8.154	0

RohnAaS	0.3756	1.071e-005	-0.02414	0.0002	0.2036	0.0025	4.906	1.071e-005	175
RohnAbS	0.3578	1.705e-005	-0.02473	0.0006	0.2030	0.0025	5.085	1.705e-005	170
RohnAcS	0.3401	0.0001108	-0.02527	0.0004	0.2027	0.0025	5.264	0.0001108	165
RohnBaS	0.3048	8.58e-005	-0.02615	-0.0002	0.2017	0.0022	5.623	8.58e-005	155
RohnBbS	0.2872	6.496e-005	-0.02649	-0.0003	0.2001	0.0020	5.802	6.496e-005	150
RohnBcS	0.2699	4.603e-005	-0.02671	-0.0003	0.1986	0.0018	5.982	4.603e-005	145
RohnCaS	0.2304	1.341e-005	-0.02693	-0.0001	0.1883	0.0014	6.401	1.341e-005	133.3
RohnCbS	0.2086	1.801e-006	-0.02683	-0.0002	0.1848	0.0012	6.642	1.801e-006	126.6
RohnDaS	0.1675	-1.863e-005	-0.02579	-0.0001	0.1662	0.0009	7.124	-1.863e-005	113.3
RohnDbS	0.1486	-3.932e-005	-0.02479	-0.0002	0.1590	0.0008	7.368	-3.932e-005	106.6
RohnEaS	0.1145	-8.05e-005	-0.02263	-0.0003	0.1342	0.0006	7.858	-8.05e-005	93.32
RohnEbS	0.099	-0.0001108	-0.02155	-0.0001	0.1300	0.0005	8.105	-0.0001108	86.64
RohnFaS	0.0658	-0.0001447	-0.01845	-0.0000	0.1040	0.0004	8.727	-0.0001447	69.98
RohnGaS	0.03473	-0.0001169	-0.01409	0.0001	0.0748	0.0003	9.483	-0.0001169	49.99
RohnHaS	0.01358	-6.218e-005	-0.00882	0.0001	0.0459	0.0001	10.25	-6.218e-005	29.99
RohnIaS	0.002576	-2.099e-005	-0.002953	0.0002	0.0193	0.0000	11.03	-2.099e-005	9.997
SNB-AaS	0.3756	-0.0002432	-0.01314	0.0001	0.2050	-0.0000	2.906	-0.0002432	175
SNB-AbS	0.3578	-0.0002465	-0.01378	0.0002	0.2024	-0.0000	3.085	-0.0002465	170
SNB-AcS	0.3401	-0.0002039	-0.01437	0.0004	0.2040	-0.0000	3.264	-0.0002039	165
SNB-BaS	0.3048	-0.0001723	-0.01548	0.0002	0.2030	-0.0000	3.623	-0.0001723	155
SNB-BbS	0.2872	-0.0001543	-0.01598	0.0002	0.1996	-0.0000	3.802	-0.0001543	150
SNB-BcS	0.2699	-0.0001352	-0.01642	0.0002	0.2000	-0.0000	3.981	-0.0001352	145
SNB-CaS	0.2304	-9.786e-005	-0.01717	0.0002	0.1892	0.0000	4.4	-9.786e-005	133.3
SNB-CbS	0.2086	-7.843e-005	-0.01738	0.0002	0.1866	-0.0000	4.642	-7.843e-005	126.6
SNB-DaS	0.1675	-4.659e-005	-0.01724	0.0001	0.1679	-0.0000	5.124	-4.659e-005	113.3
SNB-DbS	0.1486	-3.677e-005	-0.01677	0.0001	0.1604	-0.0000	5.368	-3.677e-005	106.6
SNB-EaS	0.1145	-2.072e-005	-0.01587	0.0000	0.1359	0.0000	5.858	-2.072e-005	93.32
SNB-EbS	0.09901	-1.867e-005	-0.01546	0.0000	0.1309	0.0000	6.105	-1.867e-005	86.64
SNB-FaS	0.0658	-1.25e-005	-0.01377	0.0000	0.1078	0.0000	6.727	-1.25e-005	69.99
SNB-GaS	0.03473	-7.564e-006	-0.01086	0.0000	0.0794	0.0000	7.483	-7.564e-006	49.99
SNB-HaS	0.01358	-3.006e-006	-0.007003	0.0000	0.0490	0.0000	8.248	-3.006e-006	29.99
SNB-IaS	0.002576	-4.466e-007	-0.002426	0.0000	0.0205	0.0000	9.024	-4.466e-007	9.998
SNB-WL-A1S	0.3933	-0.0002725	-0.006451	-0.0021	0.2016	-0.0001	0.9765	-1.01	180
SNB-WL-A2S	0.3933	-0.0002709	-0.0002448	0.0002	0.2060	0.0000	-0.7732	-0.0002709	180
SNB-WL-A3S	0.3933	-0.0002691	-0.00644	0.0027	0.2015	0.0001	0.9765	1.01	180
SNB-WL-B1S	0.3224	-0.0001949	-0.006966	-0.0005	0.1995	-0.0002	1.103	-1.352	160
SNB-WL-B2S	0.3225	-0.0001927	0.001239	0.0002	0.2040	0.0000	-1.238	-0.0001927	160
SNB-WL-B3S	0.3224	-0.0001901	-0.006957	0.0009	0.1995	0.0002	1.103	1.351	160
SNB-WL-C1S	0.2526	-0.000123	-0.007405	0.0002	0.1905	-0.0002	1.23	-1.692	140
SNB-WL-C2S	0.2527	-0.000119	0.002422	0.0002	0.1967	0.0000	-1.701	-0.000119	140
SNB-WL-C3S	0.2526	-0.0001146	-0.007395	0.0002	0.1905	0.0002	1.23	1.692	140
SNB-WL-D1S	0.1875	-6.907e-005	-0.007773	-0.0005	0.1707	-0.0003	1.361	-2.033	120
SNB-WL-D2S	0.1875	-6.181e-005	0.002864	0.0001	0.1799	0.0000	-2.16	-6.181e-005	120
SNB-WL-D3S	0.1875	-5.448e-005	-0.007763	0.0007	0.1707	0.0003	1.361	2.033	120
SNB-WL-E1S	0.1306	-3.384e-005	-0.006729	0.0007	0.1384	-0.0003	1.501	-2.373	99.99
SNB-WL-E2S	0.1307	-2.809e-005	0.003315	0.0001	0.1456	-0.0000	-2.61	-2.809e-005	100
SNB-WL-E3S	0.1306	-2.257e-005	-0.006724	-0.0006	0.1383	0.0003	1.501	2.373	99.99
SNB-WL-F1S	0.08451	-2.221e-005	-0.006783	-0.0001	0.1138	-0.0002	1.652	-2.714	79.99
SNB-WL-F2S	0.08453	-1.529e-005	0.002807	0.0000	0.1233	-0.0000	-3.049	-1.529e-005	80
SNB-WL-F3S	0.08451	-8.733e-006	-0.00678	0.0002	0.1138	0.0002	1.652	2.714	79.99
SNB-WL-G1S	0.04837	-1.93e-005	-0.00678	-0.0019	0.0838	-0.0002	1.812	-3.055	59.99
SNB-WL-G2S	0.04839	-9.55e-006	0.001271	0.0000	0.0931	-0.0000	-3.479	-9.55e-006	60
SNB-WL-G3S	0.04837	-1.692e-007	-0.006778	0.0019	0.0838	0.0002	1.812	3.055	59.99
SNB-WL-H1S	0.02219	-1.548e-005	-0.006538	-0.0011	0.0555	-0.0002	1.982	-3.395	39.99
SNB-WL-H2S	0.02221	-4.537e-006	-0.0005963	0.0000	0.0645	-0.0000	-3.898	-4.537e-006	40
SNB-WL-H3S	0.02219	6.111e-006	-0.006536	0.0011	0.0555	0.0002	1.982	3.395	39.99
SNB-WL-I1S	0.006238	-1.417e-005	-0.006129	-0.0002	0.0253	-0.0003	2.163	-3.736	19.99
SNB-WL-I2S	0.006261	-1.595e-006	-0.002986	0.0000	0.0337	-0.0000	-4.308	-1.595e-006	20
SNB-WL-I3S	0.006238	1.083e-005	-0.006128	0.0002	0.0253	0.0003	2.163	3.736	19.99
RohnAa1	0.3758	-0.0004046	-0.0002983	-0.0004	0.2016	0.0012	-1.889	-3.923	175
RohnAa2	0.3754	-0.0003369	-0.0002773	-0.0001	0.2038	0.0038	-1.89	3.923	175
RohnAb1	0.3582	-0.0004247	8.784e-005	0.0004	0.2039	0.0009	-2.005	-4.094	170
RohnAb2	0.3576	-0.000376	-0.0001224	-0.0003	0.2044	0.0041	-2.006	4.093	170
RohnAc1	0.3403	-0.0003632	0.0004729	0.0004	0.2030	0.0007	-2.122	-4.265	165
RohnAc2	0.3398	-0.0003683	0.0005107	0.0005	0.2020	0.0042	-2.122	4.264	165
RohnBa1	0.3049	-0.0002709	0.00121	-0.0003	0.2008	-0.0001	-2.354	-4.606	155
RohnBa2	0.3045	-0.000332	0.001249	0.0014	0.1997	0.0046	-2.355	4.605	155
RohnBb1	0.2876	-0.0003562	0.001555	0.0003	0.2005	-0.0008	-2.47	-4.776	150
RohnBb2	0.2872	-0.0001709	0.001592	0.0006	0.1997	0.0048	-2.47	4.776	150

RohnBc1	0.2699	-0.0001909	0.001911	0.0021	0.2019	-0.0015	-2.586	-4.947	145
RohnBc2	0.2696	-0.0002621	0.001946	-0.0011	0.2010	0.0051	-2.586	4.946	145
RohnCa1	0.2304	-0.0002189	0.002605	-0.0003	0.1899	-0.0022	-2.855	-5.344	133.3
RohnCa2	0.2303	-8.361e-005	0.002635	0.0010	0.1893	0.0051	-2.855	5.344	133.3
RohnCb1	0.2084	-0.0001221	0.002959	0.0018	0.1861	-0.0027	-3.008	-5.571	126.7
RohnCb2	0.2083	-0.0001172	0.002988	-0.0013	0.1858	0.0052	-3.008	5.571	126.7
RohnDa1	0.1673	-9.954e-005	0.003486	0.0007	0.1704	-0.0030	-3.311	-6.025	113.3
RohnDa2	0.1672	-2.251e-005	0.00351	-0.0002	0.1698	0.0049	-3.311	6.025	113.3
RohnDb1	0.1479	0.0001314	0.00365	0.0007	0.1576	-0.0029	-3.462	-6.252	106.7
RohnDb2	0.1479	-0.0002021	0.003668	-0.0002	0.1572	0.0046	-3.462	6.252	106.7
RohnEa1	0.1139	0.000132	0.003744	0.0012	0.1383	-0.0028	-3.758	-6.706	93.34
RohnEa2	0.1141	-0.0001148	0.003752	-0.0008	0.1379	0.0041	-3.757	6.706	93.34
RohnEb1	0.09852	0.0001667	0.003742	-0.0005	0.1266	-0.0027	-3.904	-6.933	86.66
RohnEb2	0.09867	-0.0001109	0.003747	0.0009	0.1259	0.0038	-3.904	6.933	86.66
RohnFa1	0.06424	0.0004291	0.003525	-0.0006	0.1021	-0.0023	-4.267	-7.501	70
RohnFa2	0.06444	-0.0003279	0.003524	0.0007	0.1021	0.0031	-4.266	7.501	70
RohnGa1	0.03321	0.0004329	0.002902	-0.0001	0.0746	-0.0018	-4.691	-8.182	50
RohnGa2	0.03339	-0.0003425	0.0029	-0.0000	0.0750	0.0023	-4.691	8.182	50
RohnHa1	0.01189	0.000478	0.00192	-0.0004	0.0449	-0.0012	-5.106	-8.864	30
RohnHa2	0.012	-0.0004249	0.00192	0.0003	0.0450	0.0014	-5.106	8.864	30
RohnIa1	0.0013	0.0003062	0.0006679	-0.0001	0.0188	-0.0006	-5.511	-9.548	10
RohnIa2	0.001335	-0.0002872	0.0006682	-0.0000	0.0191	0.0006	-5.511	9.548	10
SNB-Aa1	0.3755	-0.0002684	0.0002821	0.0015	0.2022	-0.0002	-0.8895	-2.191	175
SNB-Aa2	0.3756	-0.0002434	0.000298	-0.0011	0.2024	0.0002	-0.8894	2.191	175
SNB-Ab1	0.3578	-0.0002313	0.0006712	-0.0002	0.2040	-0.0002	-1.006	-2.362	170
SNB-Ab2	0.3578	-0.0002301	0.0006901	0.0007	0.2040	0.0003	-1.006	2.361	170
SNB-Ac1	0.3401	-0.0002188	0.001058	0.0010	0.2023	-0.0002	-1.122	-2.532	165
SNB-Ac2	0.3401	-0.0002131	0.001077	-0.0006	0.2021	0.0003	-1.122	2.532	165
SNB-Ba1	0.3048	-0.0001792	0.001805	0.0012	0.2016	-0.0004	-1.354	-2.873	155
SNB-Ba2	0.3048	-0.0001686	0.001827	-0.0008	0.2016	0.0004	-1.354	2.873	155
SNB-Bb1	0.2872	-0.0001371	0.00216	-0.0000	0.2009	-0.0004	-1.47	-3.044	150
SNB-Bb2	0.2872	-0.0001716	0.002182	0.0005	0.2010	0.0005	-1.47	3.043	150
SNB-Bc1	0.2698	-0.0001266	0.002497	0.0009	0.1978	-0.0005	-1.586	-3.214	145
SNB-Bc2	0.2698	-0.0001457	0.002518	-0.0005	0.1978	0.0005	-1.586	3.214	145
SNB-Ca1	0.2301	-2.824e-005	0.003183	0.0013	0.1915	-0.0008	-1.855	-3.611	133.3
SNB-Ca2	0.2301	-0.0001698	0.003204	-0.0010	0.1915	0.0008	-1.855	3.611	133.3
SNB-Cb1	0.2082	-7.243e-006	0.003504	0.0009	0.1818	-0.0008	-2.008	-3.839	126.7
SNB-Cb2	0.2082	-0.0001525	0.003524	-0.0006	0.1818	0.0008	-2.008	3.839	126.7
SNB-Da1	0.1671	3.098e-005	0.003916	0.0027	0.1710	-0.0012	-2.311	-4.293	113.3
SNB-Da2	0.1671	-0.0001281	0.003932	-0.0025	0.1710	0.0012	-2.311	4.293	113.3
SNB-Db1	0.1479	0.0001529	0.003981	-0.0000	0.1556	-0.0009	-2.462	-4.52	106.7
SNB-Db2	0.1479	-0.0002262	0.003994	0.0002	0.1556	0.0009	-2.462	4.52	106.7
SNB-Ea1	0.1141	5.586e-005	0.004017	0.0015	0.1382	-0.0009	-2.757	-4.974	93.34
SNB-Ea2	0.1141	-9.931e-005	0.004025	-0.0014	0.1382	0.0009	-2.757	4.974	93.34
SNB-Eb1	0.09864	9.84e-005	0.004028	0.0003	0.1252	-0.0007	-2.904	-5.201	86.66
SNB-Eb2	0.09864	-0.0001317	0.004035	-0.0002	0.1252	0.0007	-2.904	5.201	86.66
SNB-Fa1	0.06422	0.0004419	0.00379	0.0025	0.1011	-0.0008	-3.267	-5.769	70
SNB-Fa2	0.06421	-0.0004611	0.003795	-0.0024	0.1011	0.0008	-3.267	5.769	70
SNB-Ga1	0.03329	0.000388	0.003128	0.0029	0.0731	-0.0010	-3.691	-6.45	50
SNB-Ga2	0.03329	-0.0003998	0.003131	-0.0029	0.0731	0.0010	-3.691	6.45	50
SNB-Ha1	0.01202	0.0004027	0.00209	0.0025	0.0439	-0.0009	-4.105	-7.131	30
SNB-Ha2	0.01202	-0.0004084	0.002092	-0.0025	0.0439	0.0009	-4.105	7.131	30
SNB-Ia1	0.001206	0.0003604	0.0007519	0.0008	0.0179	-0.0005	-4.51	-7.812	10
SNB-Ia2	0.001206	-0.0003616	0.0007527	-0.0008	0.0179	0.0005	-4.51	7.812	10

Joint Support Reactions for Load Case "6: Service 1.0D + 1.0Dg + 1.0 Wo":

Joint Label	X Force (kips)	X Usage % (kips)	Y Force (kips)	Y Usage % (kips)	Z Force (kips)	Z Usage % (kips)	Uplift Usage %	Result. Force (kips)	Result. Usage % (kips)	X Moment (ft-k)	X-M. Usage % (ft-k)	Y Moment (ft-k)	Y-M. Usage % (ft-k)	Z Moment (ft-k)	Z-M. Usage % (ft-k)	Max. Usage %
RohnJP	-7.13	0.0	0.02	0.0	89.82	0.0	0.0	90.11	0.0	-0.01	0.0	-1.4	0.0	-0.00	0.0	0.0
SNB-JP	-11.50	0.0	0.00	0.0	122.99	0.0	0.0	123.52	0.0	-0.00	0.0	-3.2	0.0	-0.00	0.0	0.0
RohnJ1	-1.72	0.0	-1.60	0.0	-20.18	0.0	0.0	20.32	0.0	0.28	0.0	-0.2	0.0	-0.00	0.0	0.0
RohnJ2	-1.76	0.0	1.58	0.0	-20.19	0.0	0.0	20.33	0.0	-0.27	0.0	-0.2	0.0	-0.00	0.0	0.0
SNB-J1	-3.62	0.0	-3.77	0.0	-38.48	0.0	0.0	38.83	0.0	0.95	0.0	-0.4	0.0	-0.01	0.0	0.0
SNB-J2	-3.62	0.0	3.77	0.0	-38.52	0.0	0.0	38.87	0.0	-0.95	0.0	-0.4	0.0	0.01	0.0	0.0

Joint Displacements, Loads and Member Forces on Joints for Load Case "6: Service 1.0D + 1.0Dg + 1.0 Wo":

Joint Label	X External Load (kips)	Y External Load (kips)	Z External Load (kips)	X Member Force (kips)	Y Member Force (kips)	Z Member Force (kips)	X Disp. (ft)	Y Disp. (ft)	Z Disp. (ft)
RohnAP	0.1428	0.0000	-0.2953	-0.1428	-0.0000	0.2953	0.3932	-0.0001	-0.0235
RohnBP	0.6713	0.0000	-1.0601	-0.6713	-0.0000	1.0601	0.3224	0.0001	-0.0257
RohnCP	0.1463	0.0000	-0.4267	-0.1463	0.0000	0.4267	0.2526	0.0000	-0.0268
RohnDP	0.1775	0.0000	-0.5173	-0.1775	0.0000	0.5173	0.1875	-0.0000	-0.0265
RohnEP	0.1832	0.0000	-0.6412	-0.1832	-0.0000	0.6412	0.1306	-0.0001	-0.0235
RohnFP	0.2103	0.0000	-0.8697	-0.2103	-0.0000	0.8697	0.0845	-0.0001	-0.0203
RohnGP	0.2904	0.0000	-1.1585	-0.2904	-0.0000	1.1585	0.0484	-0.0001	-0.0163
RohnHP	0.2489	0.0000	-1.1531	-0.2489	-0.0000	1.1531	0.0222	-0.0001	-0.0117
RohnIP	0.3148	0.0000	-1.2937	-0.3148	-0.0000	1.2937	0.0063	-0.0000	-0.0057
RohnJP	0.1865	0.0000	-0.6991	6.9463	-0.0226	-89.1251	0.0000	0.0000	0.0000
SNB-AP	0.0418	0.0000	-0.1553	-0.0418	0.0000	0.1553	0.3933	-0.0003	-0.0125
SNB-BP	0.1010	0.0000	-0.3361	-0.1010	0.0000	0.3361	0.3224	-0.0002	-0.0149
SNB-CP	0.1463	0.0000	-0.4267	-0.1463	0.0000	0.4267	0.2526	-0.0001	-0.0168
SNB-DP	0.1775	0.0000	-0.5173	-0.1775	0.0000	0.5173	0.1875	-0.0001	-0.0175
SNB-EP	0.1832	0.0000	-0.6412	-0.1832	-0.0000	0.6412	0.1306	-0.0000	-0.0161
SNB-FP	0.2103	0.0000	-0.8697	-0.2103	-0.0000	0.8697	0.0845	-0.0000	-0.0149
SNB-GP	0.2380	0.0000	-1.0585	-0.2380	-0.0000	1.0585	0.0484	-0.0000	-0.0123
SNB-HP	0.2489	0.0000	-1.1531	-0.2489	-0.0000	1.1531	0.0222	-0.0000	-0.0091
SNB-IP	0.3148	0.0000	-1.2937	-0.3148	0.0000	1.2937	0.0063	-0.0000	-0.0046
SNB-JP	0.1865	0.0000	-0.6991	11.3114	-0.0010	-122.2891	0.0000	0.0000	0.0000
RohnA1	0.1428	0.0000	-0.2953	-0.1428	0.0000	0.2953	0.3935	-0.0004	-0.0007
RohnA2	0.2439	0.0000	-0.4353	-0.2439	-0.0000	0.4353	0.3932	-0.0004	-0.0007
RohnB1	0.2340	0.0000	-0.4501	-0.2340	0.0000	0.4501	0.3227	-0.0003	0.0008
RohnB2	0.1600	0.0000	-0.3851	-0.1600	-0.0000	0.3851	0.3222	-0.0003	0.0009
RohnC1	0.1463	0.0000	-0.4267	-0.1463	0.0000	0.4267	0.2527	-0.0001	0.0022
RohnC2	0.1463	0.0000	-0.4267	-0.1463	-0.0000	0.4267	0.2524	-0.0003	0.0023
RohnD1	0.2244	0.0000	-0.5873	-0.2244	0.0000	0.5873	0.1873	0.0000	0.0033
RohnD2	0.1775	0.0000	-0.5173	-0.1775	-0.0000	0.5173	0.1872	-0.0002	0.0033
RohnE1	0.1832	0.0000	-0.6412	-0.1832	0.0000	0.6412	0.1306	0.0000	0.0037
RohnE2	0.1832	0.0000	-0.6412	-0.1832	-0.0000	0.6412	0.1306	-0.0000	0.0037
RohnF1	0.2103	0.0000	-0.8697	-0.2103	0.0000	0.8697	0.0842	0.0001	0.0037
RohnF2	0.3128	0.0000	-1.0147	-0.3128	-0.0000	1.0147	0.0844	-0.0000	0.0037
RohnG1	0.2673	0.0000	-1.1185	-0.2673	0.0000	1.1185	0.0482	0.0001	0.0032
RohnG2	0.3606	0.0000	-1.2145	-0.3606	-0.0000	1.2145	0.0484	0.0000	0.0032
RohnH1	0.2489	0.0000	-1.1531	-0.2489	0.0000	1.1531	0.0220	0.0001	0.0025
RohnH2	0.2489	0.0000	-1.1531	-0.2489	-0.0000	1.1531	0.0222	-0.0000	0.0025
RohnI1	0.3148	0.0000	-1.2937	-0.3148	0.0000	1.2937	0.0062	0.0000	0.0012
RohnI2	0.3148	0.0000	-1.2937	-0.3148	0.0000	1.2937	0.0063	0.0000	0.0012
RohnJ1	0.1865	0.0000	-0.6991	1.5338	1.5986	20.8803	0.0000	0.0000	0.0000
RohnJ2	0.1865	0.0000	-0.6991	1.5735	-1.5799	20.8923	0.0000	0.0000	0.0000
SNB-A1	0.0418	0.0000	-0.1553	-0.0418	-0.0000	0.1553	0.3933	-0.0003	-0.0001
SNB-A2	0.0418	0.0000	-0.1553	-0.0418	0.0000	0.1553	0.3933	-0.0003	-0.0001
SNB-B1	0.1010	0.0000	-0.3361	-0.1010	-0.0000	0.3361	0.3225	-0.0002	0.0014
SNB-B2	0.1010	0.0000	-0.3361	-0.1010	0.0000	0.3361	0.3225	-0.0002	0.0015
SNB-C1	0.1463	0.0000	-0.4267	-0.1463	-0.0000	0.4267	0.2526	-0.0001	0.0028
SNB-C2	0.1463	0.0000	-0.4267	-0.1463	0.0000	0.4267	0.2526	-0.0001	0.0028
SNB-D1	0.1775	0.0000	-0.5173	-0.1775	-0.0000	0.5173	0.1875	-0.0001	0.0037
SNB-D2	0.1775	0.0000	-0.5173	-0.1775	0.0000	0.5173	0.1875	-0.0001	0.0038
SNB-E1	0.1832	0.0000	-0.6412	-0.1832	-0.0000	0.6412	0.1306	-0.0000	0.0039
SNB-E2	0.1832	0.0000	-0.6412	-0.1832	0.0000	0.6412	0.1306	-0.0000	0.0039
SNB-F1	0.2103	0.0000	-0.8697	-0.2103	-0.0000	0.8697	0.0845	-0.0000	0.0040
SNB-F2	0.2103	0.0000	-0.8697	-0.2103	0.0000	0.8697	0.0845	-0.0000	0.0040
SNB-G1	0.2380	0.0000	-1.0585	-0.2380	-0.0000	1.0585	0.0483	0.0000	0.0035
SNB-G2	0.2380	0.0000	-1.0585	-0.2380	0.0000	1.0585	0.0483	-0.0000	0.0035
SNB-H1	0.2489	0.0000	-1.1531	-0.2489	-0.0000	1.1531	0.0221	0.0000	0.0027
SNB-H2	0.2489	0.0000	-1.1531	-0.2489	0.0000	1.1531	0.0221	-0.0000	0.0027
SNB-I1	0.3148	0.0000	-1.2937	-0.3148	-0.0000	1.2937	0.0062	0.0001	0.0014
SNB-I2	0.3148	0.0000	-1.2937	-0.3148	0.0000	1.2937	0.0062	-0.0001	0.0014
SNB-J1	0.1865	0.0000	-0.6991	3.4324	3.7675	39.1788	0.0000	0.0000	0.0000
SNB-J2	0.1865	0.0000	-0.6991	3.4352	-3.7736	39.2195	0.0000	0.0000	0.0000
RohnAaS	0.1338	0.0000	-0.2075	-0.1338	0.0000	0.2075	0.3756	0.0000	-0.0241
RohnAbS	0.0418	0.0000	-0.1553	-0.0418	-0.0000	0.1553	0.3578	0.0000	-0.0247
RohnAcS	0.1245	0.0000	-0.2085	-0.1245	-0.0000	0.2085	0.3401	0.0001	-0.0253

RohnBaS	0.0592	0.0000	-0.1808	-0.0592	-0.0000	0.1808	0.3048	0.0001	-0.0262
RohnBbS	0.4878	0.0000	-0.9650	-0.4878	0.0000	0.9650	0.2872	0.0001	-0.0265
RohnBcS	0.0592	0.0000	-0.1808	-0.0592	0.0000	0.1808	0.2699	0.0000	-0.0267
RohnCaS	0.4530	0.0000	-0.7981	-0.4530	-0.0000	0.7981	0.2304	0.0000	-0.0269
RohnCbS	0.6305	0.0000	-1.4356	-0.6305	-0.0000	1.4356	0.2086	0.0000	-0.0268
RohnDaS	0.6417	0.0000	-1.2660	-0.6417	-0.0000	1.2660	0.1675	-0.0000	-0.0258
RohnDbS	0.0904	0.0000	-0.2714	-0.0904	-0.0000	0.2714	0.1486	-0.0000	-0.0248
RohnEaS	0.0928	0.0000	-0.3697	-0.0928	-0.0000	0.3697	0.1145	-0.0001	-0.0226
RohnEbS	0.0928	0.0000	-0.3697	-0.0928	-0.0000	0.3697	0.0990	-0.0001	-0.0215
RohnFaS	0.1175	0.0000	-0.4999	-0.1175	-0.0000	0.4999	0.0658	-0.0001	-0.0184
RohnGaS	0.1205	0.0000	-0.5585	-0.1205	-0.0000	0.5585	0.0347	-0.0001	-0.0141
RohnHaS	0.1283	0.0000	-0.5946	-0.1283	-0.0000	0.5946	0.0136	-0.0001	-0.0088
RohnIaS	0.1865	0.0000	-0.6991	-0.1865	-0.0000	0.6991	0.0026	-0.0000	-0.0030
SNB-AaS	0.0418	0.0000	-0.1553	-0.0418	0.0000	0.1553	0.3756	-0.0002	-0.0131
SNB-AbS	0.0418	0.0000	-0.1553	-0.0418	-0.0000	0.1553	0.3578	-0.0002	-0.0138
SNB-AcS	0.0418	0.0000	-0.1553	-0.0418	-0.0000	0.1553	0.3401	-0.0002	-0.0144
SNB-BaS	0.0592	0.0000	-0.1808	-0.0592	-0.0000	0.1808	0.3048	-0.0002	-0.0155
SNB-BbS	0.0592	0.0000	-0.1808	-0.0592	-0.0000	0.1808	0.2872	-0.0002	-0.0160
SNB-BcS	0.0592	0.0000	-0.1808	-0.0592	-0.0000	0.1808	0.2699	-0.0001	-0.0164
SNB-CaS	0.0871	0.0000	-0.2459	-0.0871	-0.0000	0.2459	0.2304	-0.0001	-0.0172
SNB-CbS	0.0871	0.0000	-0.2459	-0.0871	-0.0000	0.2459	0.2086	-0.0001	-0.0174
SNB-DaS	0.0904	0.0000	-0.2714	-0.0904	-0.0000	0.2714	0.1675	-0.0000	-0.0172
SNB-DbS	0.0904	0.0000	-0.2714	-0.0904	-0.0000	0.2714	0.1486	-0.0000	-0.0168
SNB-EaS	0.0928	0.0000	-0.3697	-0.0928	-0.0000	0.3697	0.1145	-0.0000	-0.0159
SNB-EbS	0.0928	0.0000	-0.3697	-0.0928	-0.0000	0.3697	0.0990	-0.0000	-0.0155
SNB-FaS	0.1175	0.0000	-0.4999	-0.1175	-0.0000	0.4999	0.0658	-0.0000	-0.0138
SNB-GaS	0.1205	0.0000	-0.5585	-0.1205	-0.0000	0.5585	0.0347	-0.0000	-0.0109
SNB-HaS	0.1283	0.0000	-0.5946	-0.1283	-0.0000	0.5946	0.0136	-0.0000	-0.0070
SNB-IaS	0.1865	0.0000	-0.6991	-0.1865	-0.0000	0.6991	0.0026	-0.0000	-0.0024
SNB-WL-A1S	0.0418	0.0000	-0.1553	-0.0418	0.0000	0.1553	0.3933	-0.0003	-0.0065
SNB-WL-A2S	0.0418	0.0000	-0.1553	-0.0418	-0.0000	0.1553	0.3933	-0.0003	-0.0002
SNB-WL-A3S	0.0418	0.0000	-0.1553	-0.0418	-0.0000	0.1553	0.3933	-0.0003	-0.0064
SNB-WL-B1S	0.0418	0.0000	-0.1553	-0.0418	0.0000	0.1553	0.3224	-0.0002	-0.0070
SNB-WL-B2S	0.0418	0.0000	-0.1553	-0.0418	-0.0000	0.1553	0.3225	-0.0002	0.0012
SNB-WL-B3S	0.0418	0.0000	-0.1553	-0.0418	-0.0000	0.1553	0.3224	-0.0002	-0.0070
SNB-WL-C1S	0.0592	0.0000	-0.1808	-0.0592	0.0000	0.1808	0.2526	-0.0001	-0.0074
SNB-WL-C2S	0.0592	0.0000	-0.1808	-0.0592	-0.0000	0.1808	0.2527	-0.0001	0.0024
SNB-WL-C3S	0.0592	0.0000	-0.1808	-0.0592	-0.0000	0.1808	0.2526	-0.0001	-0.0074
SNB-WL-D1S	0.0871	0.0000	-0.2459	-0.0871	0.0000	0.2459	0.1875	-0.0001	-0.0078
SNB-WL-D2S	0.0871	0.0000	-0.2459	-0.0871	-0.0000	0.2459	0.1875	-0.0001	0.0029
SNB-WL-D3S	0.0871	0.0000	-0.2459	-0.0871	-0.0000	0.2459	0.1875	-0.0001	-0.0078
SNB-WL-E1S	0.0904	0.0000	-0.2714	-0.0904	0.0000	0.2714	0.1306	-0.0000	-0.0067
SNB-WL-E2S	0.0904	0.0000	-0.2714	-0.0904	-0.0000	0.2714	0.1307	-0.0000	0.0033
SNB-WL-E3S	0.0904	0.0000	-0.2714	-0.0904	-0.0000	0.2714	0.1306	-0.0000	-0.0067
SNB-WL-F1S	0.0928	0.0000	-0.3697	-0.0928	0.0000	0.3697	0.0845	-0.0000	-0.0068
SNB-WL-F2S	0.0928	0.0000	-0.3697	-0.0928	-0.0000	0.3697	0.0845	-0.0000	0.0028
SNB-WL-F3S	0.0928	0.0000	-0.3697	-0.0928	-0.0000	0.3697	0.0845	-0.0000	-0.0068
SNB-WL-G1S	0.1175	0.0000	-0.4999	-0.1175	0.0000	0.4999	0.0484	-0.0000	-0.0068
SNB-WL-G2S	0.1175	0.0000	-0.4999	-0.1175	-0.0000	0.4999	0.0484	-0.0000	0.0013
SNB-WL-G3S	0.1175	0.0000	-0.4999	-0.1175	-0.0000	0.4999	0.0484	-0.0000	-0.0068
SNB-WL-H1S	0.1205	0.0000	-0.5585	-0.1205	0.0000	0.5585	0.0222	-0.0000	-0.0065
SNB-WL-H2S	0.1205	0.0000	-0.5585	-0.1205	-0.0000	0.5585	0.0222	-0.0000	-0.0006
SNB-WL-H3S	0.1205	0.0000	-0.5585	-0.1205	-0.0000	0.5585	0.0222	0.0000	-0.0065
SNB-WL-I1S	0.1283	0.0000	-0.5946	-0.1283	0.0000	0.5946	0.0062	-0.0000	-0.0061
SNB-WL-I2S	0.1283	0.0000	-0.5946	-0.1283	0.0000	0.5946	0.0063	-0.0000	-0.0030
SNB-WL-I3S	0.1283	0.0000	-0.5946	-0.1283	-0.0000	0.5946	0.0062	0.0000	-0.0061
RohnAa1	0.1106	0.0000	-0.2288	-0.1106	0.0000	0.2288	0.3758	-0.0004	-0.0003
RohnAa2	0.1748	0.0000	-0.2518	-0.1748	-0.0000	0.2518	0.3754	-0.0003	-0.0003
RohnAb1	0.2471	-0.0111	-0.2753	-0.2471	0.0111	0.2753	0.3582	-0.0004	0.0001
RohnAb2	0.0418	0.0000	-0.1553	-0.0418	-0.0000	0.1553	0.3576	-0.0004	0.0001
RohnAc1	0.0418	0.0000	-0.1553	-0.0418	0.0000	0.1553	0.3403	-0.0004	0.0005
RohnAc2	0.0418	0.0000	-0.1553	-0.0418	-0.0000	0.1553	0.3398	-0.0004	0.0005
RohnBa1	0.0592	0.0000	-0.1808	-0.0592	0.0000	0.1808	0.3049	-0.0003	0.0012
RohnBa2	0.0592	0.0000	-0.1808	-0.0592	-0.0000	0.1808	0.3045	-0.0003	0.0012
RohnBb1	0.4714	0.0000	-0.9380	-0.4714	0.0000	0.9380	0.2876	-0.0004	0.0016
RohnBb2	0.4714	0.0000	-0.9380	-0.4714	-0.0000	0.9380	0.2872	-0.0002	0.0016
RohnBc1	0.0592	0.0000	-0.1808	-0.0592	0.0000	0.1808	0.2699	-0.0002	0.0019
RohnBc2	0.0592	0.0000	-0.1808	-0.0592	-0.0000	0.1808	0.2696	-0.0003	0.0019
RohnCa1	0.4892	0.0000	-0.8581	-0.4892	0.0000	0.8581	0.2304	-0.0002	0.0026

RohnCa2	0.5128	0.0000	-0.8981	-0.5128	-0.0000	0.8981	0.2303	-0.0001	0.0026
RohnCb1	0.5454	0.0000	-1.3356	-0.5454	0.0000	1.3356	0.2084	-0.0001	0.0030
RohnCb2	0.5454	0.0000	-1.3356	-0.5454	-0.0000	1.3356	0.2083	-0.0001	0.0030
RohnDa1	0.5835	0.0000	-1.1610	-0.5835	0.0000	1.1610	0.1673	-0.0001	0.0035
RohnDa2	0.5835	0.0000	-1.1610	-0.5835	-0.0000	1.1610	0.1672	-0.0000	0.0035
RohnDb1	0.0904	0.0000	-0.2714	-0.0904	0.0000	0.2714	0.1479	0.0001	0.0036
RohnDb2	0.0904	0.0000	-0.2714	-0.0904	-0.0000	0.2714	0.1479	-0.0002	0.0037
RohnEa1	0.0928	0.0000	-0.3697	-0.0928	0.0000	0.3697	0.1139	0.0001	0.0037
RohnEa2	0.0928	0.0000	-0.3697	-0.0928	-0.0000	0.3697	0.1141	-0.0001	0.0038
RohnEb1	0.0928	0.0000	-0.3697	-0.0928	0.0000	0.3697	0.0985	0.0002	0.0037
RohnEb2	0.0928	0.0000	-0.3697	-0.0928	-0.0000	0.3697	0.0987	-0.0001	0.0037
RohnFa1	0.1175	0.0000	-0.4999	-0.1175	0.0000	0.4999	0.0642	0.0004	0.0035
RohnFa2	0.1175	0.0000	-0.4999	-0.1175	-0.0000	0.4999	0.0644	-0.0003	0.0035
RohnGa1	0.1205	0.0000	-0.5585	-0.1205	0.0000	0.5585	0.0332	0.0004	0.0029
RohnGa2	0.1205	0.0000	-0.5585	-0.1205	-0.0000	0.5585	0.0334	-0.0003	0.0029
RohnHa1	0.1283	0.0000	-0.5946	-0.1283	0.0000	0.5946	0.0119	0.0005	0.0019
RohnHa2	0.1283	0.0000	-0.5946	-0.1283	-0.0000	0.5946	0.0120	-0.0004	0.0019
RohnIa1	0.1865	0.0000	-0.6991	-0.1865	-0.0000	0.6991	0.0013	0.0003	0.0007
RohnIa2	0.1865	0.0000	-0.6991	-0.1865	-0.0000	0.6991	0.0013	-0.0003	0.0007
SNB-Aa1	0.0418	0.0000	-0.1553	-0.0418	-0.0000	0.1553	0.3755	-0.0003	0.0003
SNB-Aa2	0.0418	0.0000	-0.1553	-0.0418	0.0000	0.1553	0.3756	-0.0002	0.0003
SNB-Ab1	0.0418	0.0000	-0.1553	-0.0418	-0.0000	0.1553	0.3578	-0.0002	0.0007
SNB-Ab2	0.0418	0.0000	-0.1553	-0.0418	0.0000	0.1553	0.3578	-0.0002	0.0007
SNB-Ac1	0.0418	0.0000	-0.1553	-0.0418	-0.0000	0.1553	0.3401	-0.0002	0.0011
SNB-Ac2	0.0418	0.0000	-0.1553	-0.0418	0.0000	0.1553	0.3401	-0.0002	0.0011
SNB-Ba1	0.0592	0.0000	-0.1808	-0.0592	-0.0000	0.1808	0.3048	-0.0002	0.0018
SNB-Ba2	0.0592	0.0000	-0.1808	-0.0592	0.0000	0.1808	0.3048	-0.0002	0.0018
SNB-Bb1	0.0592	0.0000	-0.1808	-0.0592	-0.0000	0.1808	0.2872	-0.0001	0.0022
SNB-Bb2	0.0592	0.0000	-0.1808	-0.0592	0.0000	0.1808	0.2872	-0.0002	0.0022
SNB-Bc1	0.0592	0.0000	-0.1808	-0.0592	-0.0000	0.1808	0.2698	-0.0001	0.0025
SNB-Bc2	0.0592	0.0000	-0.1808	-0.0592	0.0000	0.1808	0.2698	-0.0001	0.0025
SNB-Ca1	0.0871	0.0000	-0.2459	-0.0871	-0.0000	0.2459	0.2301	-0.0000	0.0032
SNB-Ca2	0.0871	0.0000	-0.2459	-0.0871	0.0000	0.2459	0.2301	-0.0002	0.0032
SNB-Cb1	0.0871	0.0000	-0.2459	-0.0871	-0.0000	0.2459	0.2082	-0.0000	0.0035
SNB-Cb2	0.0871	0.0000	-0.2459	-0.0871	0.0000	0.2459	0.2082	-0.0002	0.0035
SNB-Da1	0.0904	0.0000	-0.2714	-0.0904	-0.0000	0.2714	0.1671	0.0000	0.0039
SNB-Da2	0.0904	0.0000	-0.2714	-0.0904	0.0000	0.2714	0.1671	-0.0001	0.0039
SNB-Db1	0.0904	0.0000	-0.2714	-0.0904	-0.0000	0.2714	0.1479	0.0002	0.0040
SNB-Db2	0.0904	0.0000	-0.2714	-0.0904	0.0000	0.2714	0.1479	-0.0002	0.0040
SNB-Ea1	0.0928	0.0000	-0.3697	-0.0928	-0.0000	0.3697	0.1141	0.0001	0.0040
SNB-Ea2	0.0928	0.0000	-0.3697	-0.0928	0.0000	0.3697	0.1141	-0.0001	0.0040
SNB-Eb1	0.0928	0.0000	-0.3697	-0.0928	-0.0000	0.3697	0.0986	0.0001	0.0040
SNB-Eb2	0.0928	0.0000	-0.3697	-0.0928	0.0000	0.3697	0.0986	-0.0001	0.0040
SNB-Fa1	0.1175	0.0000	-0.4999	-0.1175	-0.0000	0.4999	0.0642	0.0004	0.0038
SNB-Fa2	0.1175	0.0000	-0.4999	-0.1175	0.0000	0.4999	0.0642	-0.0005	0.0038
SNB-Ga1	0.1205	0.0000	-0.5585	-0.1205	-0.0000	0.5585	0.0333	0.0004	0.0031
SNB-Ga2	0.1205	0.0000	-0.5585	-0.1205	0.0000	0.5585	0.0333	-0.0004	0.0031
SNB-Ha1	0.1283	0.0000	-0.5946	-0.1283	-0.0000	0.5946	0.0120	0.0004	0.0021
SNB-Ha2	0.1283	0.0000	-0.5946	-0.1283	0.0000	0.5946	0.0120	-0.0004	0.0021
SNB-Ia1	0.1865	0.0000	-0.6991	-0.1865	0.0000	0.6991	0.0012	0.0004	0.0008
SNB-Ia2	0.1865	0.0000	-0.6991	-0.1865	-0.0000	0.6991	0.0012	-0.0004	0.0008

Moments for Angles Modeled as Beams:

Angle Label	Torsion (ft-lbs)	Origin X Moment (ft-lbs)	Origin Y Moment (ft-lbs)	End X Moment (ft-lbs)	End Y Moment (ft-lbs)	X Shear (lbs)	Y Shear (lbs)
Rohn-LA1P	0.00	0.27	1.01	5.44	-6.08	1.14	-1.01
Rohn-LA11	0.49	-0.45	0.62	0.47	9.27	0.00	1.98
Rohn-LA12	-0.52	0.39	0.76	3.21	-2.60	0.72	-0.37
Rohn-LA2P	0.00	-5.44	6.08	-7.17	8.79	-2.52	2.97
Rohn-LA21	0.49	-0.47	-9.27	-5.05	-20.95	-1.10	-6.04
Rohn-LA22	-0.52	-3.21	2.60	-2.41	-0.66	-1.12	0.39
Rohn-LA3P	0.00	7.17	-8.79	7.86	-7.01	3.00	-3.16
Rohn-LA31	0.49	5.05	20.95	5.32	25.22	2.07	9.23
Rohn-LA32	-0.52	2.41	0.66	-1.81	13.08	0.12	2.75
Rohn-LA4P	0.00	-7.86	7.01	-3.96	11.35	-2.36	3.67
Rohn-LA41	0.49	-5.32	-25.22	-8.68	-28.95	-2.80	-10.83

Rohn-LA42	-0.52	1.81	-13.08	5.67	-20.05	1.49	-6.62
Rohn-LB1P	0.67	3.78	-9.04	2.40	-7.68	1.23	-3.34
Rohn-LB11	2.01	8.18	30.47	19.54	54.89	5.54	17.06
Rohn-LB12	-0.65	-4.97	21.32	-18.41	51.37	-4.67	14.53
Rohn-LB2P	0.67	-2.40	7.68	-0.94	20.79	-0.67	5.69
Rohn-LB21	2.01	-19.54	-54.89	-25.12	-53.00	-8.92	-21.56
Rohn-LB22	-0.65	18.41	-51.37	24.99	-51.71	8.67	-20.60
Rohn-LB3P	0.67	0.94	-20.79	0.88	-8.17	0.36	-5.79
Rohn-LB31	2.01	25.12	53.00	10.29	41.55	7.08	18.89
Rohn-LB32	-0.65	-24.99	51.71	-10.31	41.25	-7.05	18.58
Rohn-LB4P	0.67	-0.88	8.17	-1.47	41.98	-0.47	10.02
Rohn-LB41	2.01	-10.29	-41.55	10.99	30.07	0.14	-2.29
Rohn-LB42	-0.65	10.31	-41.25	-10.06	29.33	0.05	-2.38
Rohn-LC1P	0.67	1.47	-41.98	0.44	17.15	0.29	-3.73
Rohn-LC11	2.00	-10.99	-30.07	-12.56	1.19	-3.53	-4.33
Rohn-LC12	-0.65	10.06	-29.33	13.05	0.37	3.47	-4.35
Rohn-LC2P	0.67	-0.44	-17.15	0.16	16.39	-0.04	-0.11
Rohn-LC21	2.00	12.56	-1.19	-8.26	35.56	0.64	5.14
Rohn-LC22	-0.65	-13.05	-0.37	9.27	33.47	-0.57	4.95
Rohn-LC3P	0.67	-0.16	-16.39	-0.73	66.72	-0.13	7.55
Rohn-LC31	2.00	8.26	-35.56	33.58	64.45	6.28	4.33
Rohn-LC32	-0.65	-9.27	-33.47	-35.23	69.25	-6.68	5.37
Rohn-LD1P	0.67	0.73	-66.72	1.57	82.66	0.35	2.39
Rohn-LD11	2.00	-33.58	-64.45	-56.81	13.14	-13.56	-7.70
Rohn-LD12	-0.64	35.23	-69.25	58.64	9.21	14.08	-9.01
Rohn-LD2P	0.67	-1.57	-82.66	-0.48	25.53	-0.31	-8.55
Rohn-LD21	2.01	56.81	-13.14	58.22	179.31	17.21	24.86
Rohn-LD22	-0.65	-58.64	-9.21	-58.25	180.68	-17.48	25.65
Rohn-LD3P	0.67	0.48	-25.53	-0.09	180.55	0.06	23.27
Rohn-LD31	2.00	-58.22	-179.31	-45.65	7.58	-15.58	-25.76
Rohn-LD32	-0.64	58.25	-180.68	45.99	7.93	15.64	-25.92
Rohn-LE1P	0.67	0.09	-180.55	2.51	46.88	0.39	-20.06
Rohn-LE11	2.00	45.65	-7.58	17.46	133.94	9.47	18.96
Rohn-LE12	-0.65	-45.99	-7.93	-16.45	130.98	-9.37	18.46
Rohn-LE2P	0.67	-2.51	-46.88	-5.53	41.04	-1.20	-0.87
Rohn-LE21	2.00	-17.46	-133.94	17.42	107.43	-0.01	-3.96
Rohn-LE22	-0.64	16.45	-130.98	-20.06	115.88	-0.54	-2.26
Rohn-LE3P	0.67	5.53	-41.04	5.74	285.00	1.69	36.61
Rohn-LE31	2.00	-17.42	-107.43	-59.45	12.84	-11.53	-14.19
Rohn-LE32	-0.64	20.06	-115.88	67.01	-4.31	13.06	-18.03
Rohn-LF1P	0.67	-5.75	-285.00	-8.54	-49.98	-1.43	-33.48
Rohn-LF11	2.01	59.45	-12.84	109.79	419.15	16.91	40.60
Rohn-LF12	-0.65	-67.01	4.31	-114.76	432.48	-18.16	43.64
Rohn-LF2P	0.67	8.54	49.99	6.19	439.27	1.47	48.90
Rohn-LF21	1.99	-109.78	-419.15	-136.33	-116.46	-24.59	-53.52
Rohn-LF22	-0.63	114.76	-432.48	143.18	-132.21	25.77	-56.42
Rohn-LG1P	0.67	-6.19	-439.27	-5.80	-104.94	-1.20	-54.39
Rohn-LG11	2.02	136.33	116.46	153.76	504.60	28.99	62.05
Rohn-LG12	-0.67	-143.18	132.22	-156.67	512.33	-29.96	64.40
Rohn-LG2P	0.67	5.80	104.94	2.78	509.19	0.86	61.38
Rohn-LG21	2.00	-153.76	-504.60	-169.54	-154.96	-32.30	-65.90
Rohn-LG22	-0.64	156.67	-512.34	170.35	-157.49	32.67	-66.93
Rohn-LH1P	0.67	-2.78	-509.19	-0.19	-137.62	-0.30	-64.65
Rohn-LH11	1.99	169.54	154.96	191.90	602.65	36.11	75.70
Rohn-LH12	-0.64	-170.35	157.49	-192.70	604.52	-36.27	76.14
Rohn-LH2P	0.67	0.19	137.62	-0.35	654.51	-0.02	79.18
Rohn-LH21	1.96	-191.89	-602.66	-220.66	-220.56	-41.22	-82.25
Rohn-LH22	-0.60	192.69	-604.52	221.40	-221.78	41.37	-82.56
Rohn-LI1P	0.67	0.35	-654.51	-2.35	-211.06	-0.20	-86.51
Rohn-LI11	1.98	220.66	220.56	273.52	935.94	49.38	115.55
Rohn-LI12	-0.62	-221.40	221.78	-271.12	931.66	-49.21	115.25
Rohn-LI2P	0.67	2.35	211.06	12.05	1379.23	1.44	158.95
Rohn-LI21	1.93	-273.51	-935.94	-281.26	205.83	-55.43	-72.95
Rohn-LI22	-0.58	271.11	-931.66	270.20	226.30	54.09	-70.48
Rohn-H1P	0.05	0.43	-0.17	0.71	-0.35	0.15	-0.07
Rohn-H11	-0.01	-0.06	-0.15	0.05	0.20	-0.00	0.01
Rohn-H12	0.08	-0.82	0.34	-0.76	0.18	-0.21	0.07
Rohn-H2P	-0.12	1.47	-0.60	1.60	-0.89	0.35	-0.17
Rohn-H21	-0.02	0.17	-0.66	-0.01	-0.07	0.02	-0.08

Rohn-H22	0.03	-1.48	0.23	-1.29	-0.08	-0.31	0.02
SNB-LA1P	-0.00	1.08	61.40	3.24	6.74	0.86	13.62
SNB-LA11	0.08	54.19	-28.03	11.10	-0.78	13.05	-5.76
SNB-LA12	-0.08	-55.78	-30.47	-13.29	-5.85	-13.80	-7.26
SNB-LA2P	-0.00	-3.24	-6.74	-4.45	11.26	-1.54	0.90
SNB-LA21	0.08	-11.10	0.78	1.20	-11.33	-1.98	-2.11
SNB-LA22	-0.08	13.29	5.85	1.10	-4.85	2.87	0.20
SNB-LA3P	-0.00	4.45	-11.26	3.58	-22.01	1.60	-6.65
SNB-LA31	0.08	-1.20	11.33	-10.01	23.22	-2.24	6.90
SNB-LA32	-0.08	-1.10	4.85	8.00	17.91	1.38	4.55
SNB-LA4P	-0.00	-3.58	22.01	-2.31	66.22	-1.18	17.63
SNB-LA41	0.08	10.01	-23.22	36.24	-35.08	9.24	-11.65
SNB-LA42	-0.08	-8.00	-17.91	-34.49	-31.37	-8.49	-9.85
SNB-LB1P	-0.02	2.12	108.77	1.06	15.06	0.64	24.75
SNB-LB11	0.78	82.99	-19.04	14.61	21.79	19.51	0.55
SNB-LB12	-0.75	-84.01	-22.04	-15.22	20.22	-19.83	-0.36
SNB-LB2P	-0.02	-1.06	-15.06	-0.57	44.66	-0.33	5.92
SNB-LB21	0.78	-14.61	-21.79	7.12	-9.74	-1.50	-6.30
SNB-LB22	-0.74	15.22	-20.22	-6.55	-8.76	1.73	-5.79
SNB-LB3P	-0.02	0.57	-44.66	0.55	-52.78	0.22	-19.47
SNB-LB31	0.78	-7.12	9.74	-24.44	65.68	-6.31	15.07
SNB-LB32	-0.74	6.55	8.76	24.46	65.07	6.20	14.76
SNB-LB4P	-0.02	-0.55	52.78	-0.04	231.19	-0.12	56.75
SNB-LB41	0.78	24.44	-65.68	93.82	-46.65	23.63	-22.45
SNB-LB42	-0.75	-24.46	-65.07	-93.21	-46.28	-23.52	-22.25
SNB-LC1P	0.00	0.03	55.66	0.07	65.08	0.02	18.12
SNB-LC11	1.91	94.24	-40.19	37.23	28.09	19.73	-1.81
SNB-LC12	-1.90	-94.73	-40.51	-37.19	28.03	-19.79	-1.87
SNB-LC2P	0.00	-0.07	-65.08	0.25	-31.32	0.03	-14.42
SNB-LC21	1.90	-37.23	-28.09	-32.13	100.14	-10.37	10.78
SNB-LC22	-1.89	37.19	-28.03	32.05	99.81	10.36	10.74
SNB-LC3P	0.00	-0.25	31.32	-0.09	266.34	-0.05	44.66
SNB-LC31	1.91	32.13	-100.14	113.97	-75.69	21.92	-26.38
SNB-LC32	-1.90	-32.05	-99.81	-112.94	-75.00	-21.75	-26.23
SNB-LD1P	-0.01	0.12	181.49	0.76	200.79	0.13	57.36
SNB-LD11	2.51	207.38	-85.61	41.75	97.39	37.38	1.77
SNB-LD12	-2.48	-208.43	-86.38	-41.84	96.46	-37.55	1.51
SNB-LD2P	-0.01	-0.76	-200.79	0.02	-46.76	-0.11	-37.04
SNB-LD21	2.50	-41.75	-97.39	15.61	220.16	-3.91	18.36
SNB-LD22	-2.48	41.84	-96.46	-14.84	220.59	4.04	18.57
SNB-LD3P	-0.01	-0.02	46.76	-0.13	491.41	-0.02	80.76
SNB-LD31	2.51	-15.61	-220.16	48.55	-15.09	4.94	-35.29
SNB-LD32	-2.48	14.84	-220.59	-48.06	-14.69	-4.98	-35.30
SNB-LE1P	-0.07	0.24	148.53	2.27	302.44	0.38	67.67
SNB-LE11	5.01	347.14	-159.71	102.78	231.10	67.50	10.71
SNB-LE12	-4.93	-347.92	-160.43	-102.90	228.41	-67.64	10.20
SNB-LE2P	-0.07	-2.27	-302.44	-1.45	-40.03	-0.56	-51.24
SNB-LE21	4.99	-102.78	-231.10	-35.94	441.45	-20.75	31.46
SNB-LE22	-4.92	102.90	-228.41	39.20	445.00	21.26	32.40
SNB-LE3P	-0.07	1.45	40.03	1.10	1120.99	0.38	174.22
SNB-LE31	5.01	35.94	-441.45	238.14	-342.77	41.12	-117.65
SNB-LE32	-4.93	-39.21	-445.00	-241.31	-345.88	-42.08	-118.65
SNB-LF1P	-0.00	-1.14	-262.75	-0.67	-181.93	-0.18	-44.44
SNB-LF11	8.50	439.65	7.63	228.88	778.79	66.80	78.58
SNB-LF12	-8.50	-437.04	10.47	-225.85	781.29	-66.24	79.11
SNB-LF2P	-0.00	0.67	181.93	0.79	1250.81	0.15	143.19
SNB-LF21	8.46	-228.87	-778.79	36.66	-500.06	-19.21	-127.78
SNB-LF22	-8.47	225.85	-781.29	-39.55	-502.63	18.61	-128.28
SNB-LG1P	0.07	-0.81	-6.82	-0.89	-177.60	-0.17	-18.43
SNB-LG11	14.02	1039.83	-86.69	435.86	1404.95	147.45	131.72
SNB-LG12	-14.11	-1037.03	-84.14	-433.44	1407.33	-146.93	132.21
SNB-LG2P	0.07	0.89	177.60	0.71	2181.09	0.16	235.74
SNB-LG21	13.95	-435.84	-1404.95	202.91	-765.11	-23.27	-216.82
SNB-LG22	-14.05	433.43	-1407.34	-203.94	-766.50	22.93	-217.20
SNB-LH1P	0.02	-0.69	-539.88	-0.09	-280.41	-0.08	-81.99
SNB-LH11	13.53	1141.35	22.31	531.61	1555.53	167.15	157.65
SNB-LH12	-13.59	-1140.54	23.56	-531.15	1555.86	-167.03	157.81
SNB-LH2P	0.02	0.09	280.41	-0.02	2297.72	0.01	257.68
SNB-LH21	13.42	-531.59	-1555.54	-87.72	-795.53	-61.88	-234.91

SNB-LH22	-13.48	531.13	-1555.87	87.78	-795.44	61.84	-234.93
SNB-LI1P	-0.00	0.04	-383.59	0.44	-173.55	0.05	-55.68
SNB-LI11	4.73	1705.27	-101.41	1073.13	2259.17	277.61	215.59
SNB-LI12	-4.78	-1705.32	-101.49	-1073.01	2258.67	-277.60	215.54
SNB-LI2P	-0.00	-0.44	173.55	0.35	3235.84	-0.01	340.76
SNB-LI21	4.48	-1073.10	-2259.19	-949.31	407.66	-202.07	-184.99
SNB-LI22	-4.52	1072.99	-2258.69	950.77	408.35	202.20	-184.88
SNB-H1aP	-0.53	35.49	0.95	122.31	-1.37	78.10	-0.21
SNB-H1bP	-0.53	-122.31	1.38	-33.33	0.86	-77.03	1.11
SNB-H1cP	-0.58	37.07	-1.05	119.61	2.21	77.54	0.57
SNB-H1dP	-0.58	-119.61	-2.21	-37.12	0.98	-77.57	-0.61
SNB-H1eP	1.24	35.20	-0.84	120.90	-1.78	77.26	-1.30
SNB-H1fP	1.24	-120.90	1.78	-36.42	-0.90	-77.87	0.44
SNB-H2aP	-1.66	102.00	1.68	127.00	-0.26	84.72	0.52
SNB-H2bP	-1.66	-127.00	0.26	-63.26	-0.97	-70.39	-0.26
SNB-H2cP	0.15	86.17	-0.23	123.61	3.26	77.61	1.12
SNB-H2dP	0.15	-123.61	-3.26	-85.86	0.19	-77.50	-1.13
SNB-H2eP	1.50	62.69	0.99	127.33	-0.57	70.30	0.15
SNB-H2fP	1.50	-127.33	0.57	-101.89	-1.67	-84.81	-0.41
SNB-H3aP	-1.25	166.33	1.01	171.96	-0.74	99.95	0.08
SNB-H3bP	-1.25	-171.96	0.75	-100.95	-2.28	-80.64	-0.45
SNB-H3cP	0.01	136.51	0.41	169.21	5.20	90.33	1.66
SNB-H3dP	0.01	-169.21	-5.20	-136.43	-0.41	-90.31	-1.66
SNB-H3eP	1.24	100.89	2.30	171.98	-0.75	80.63	0.46
SNB-H3fP	1.24	-171.98	0.75	-166.34	-1.03	-99.96	-0.08
SNB-H4aP	-1.38	259.34	0.46	275.68	-2.16	131.58	-0.42
SNB-H4bP	-1.38	-275.68	2.16	-186.96	-3.54	-113.78	-0.34
SNB-H4cP	-0.02	226.72	2.10	272.94	10.45	122.89	3.09
SNB-H4dP	-0.02	-272.94	-10.45	-226.71	-2.12	-122.88	-3.09
SNB-H4eP	1.40	187.01	3.53	275.63	-2.20	113.78	0.33
SNB-H4fP	1.40	-275.63	2.20	-259.38	-0.44	-131.58	0.43
SNB-H5aP	-2.16	370.69	1.14	356.29	-3.72	153.15	-0.54
SNB-H5bP	-2.16	-356.29	3.72	-203.12	-6.25	-117.85	-0.53
SNB-H5cP	-0.07	292.27	1.92	351.67	16.72	135.66	3.93
SNB-H5dP	-0.08	-351.67	-16.72	-292.37	-1.95	-135.68	-3.93
SNB-H5eP	2.23	203.36	6.22	356.13	-3.74	117.87	0.52
SNB-H5fP	2.23	-356.13	3.74	-370.78	-1.08	-153.14	0.56
SNB-H6aP	-10.70	501.76	0.31	554.68	-2.81	194.62	-0.46
SNB-H6bP	-10.70	-554.68	2.80	-393.05	-6.94	-174.59	-0.76
SNB-H6cP	-0.02	472.05	1.58	531.21	14.08	184.82	2.88
SNB-H6dP	-0.03	-531.21	-14.08	-472.44	-1.54	-184.90	-2.88
SNB-H6eP	10.73	393.33	6.98	554.64	-2.51	174.64	0.82
SNB-H6fP	10.73	-554.64	2.52	-501.63	-0.37	-194.59	0.40
SNB-H7aP	-9.71	723.84	-3.06	822.04	-5.82	253.02	-1.45
SNB-H7bP	-9.71	-822.04	5.81	-682.87	-5.84	-246.31	-0.01
SNB-H7cP	0.01	726.74	-0.79	801.78	13.35	250.18	2.06
SNB-H7dP	0.01	-801.78	-13.35	-726.82	0.84	-250.19	-2.05
SNB-H7eP	9.70	682.92	5.89	822.09	-5.56	246.33	0.05
SNB-H7fP	9.71	-822.09	5.56	-723.82	2.99	-253.02	1.40
SNB-H8aP	-2.71	949.13	-3.15	989.66	-6.39	285.51	-1.40
SNB-H8bP	-2.71	-989.66	6.38	-858.73	-3.16	-272.20	0.47
SNB-H8cP	-0.02	912.82	2.49	986.30	15.21	279.67	2.61
SNB-H8dP	-0.02	-986.30	-15.21	-912.96	-2.50	-279.69	-2.61
SNB-H8eP	2.73	858.85	3.14	989.62	-6.35	272.21	-0.47
SNB-H8fP	2.74	-989.62	6.35	-949.13	3.19	-285.51	1.41
SNB-H9aP	-6.58	1108.91	-3.79	1143.85	-7.82	301.49	-1.55
SNB-H9bP	-6.58	-1143.85	7.81	-1038.52	0.98	-292.07	1.17
SNB-H9cP	0.00	1093.08	6.55	1133.54	17.40	297.99	3.21
SNB-H9dP	-0.01	-1133.54	-17.40	-1093.05	-6.56	-297.99	-3.21
SNB-H9eP	6.58	1038.51	-0.99	1143.84	-7.81	292.07	-1.18
SNB-H9fP	6.59	-1143.84	7.82	-1108.94	3.81	-301.49	1.56

Service Loads Check:

Joint Label	Elevation (ft)	Actual Twist (deg)	Allowable Twist (deg)	Twist Usage %	Actual Sway (deg)	Allowable Sway (deg)	Sway Usage %	Actual Disp. (ft)	Allowable Disp. (ft)	Disp. Usage %	Max. Usage %
SNB-A2	180.00	0.00	4.00	0.1	0.20	4.00	5.1	0.39	5.40	7.3	7.3

SNB-A1	180.00	0.00	4.00	0.1	0.20	4.00	5.1	0.39	5.40	7.3	7.3
SNB-WL-A2S	180.00	0.00	4.00	0.1	0.20	4.00	5.1	0.39	5.40	7.3	7.3
RohnA2	180.00	0.00	4.00	0.1	0.20	4.00	5.1	0.39	5.40	7.3	7.3
RohnA1	180.00	0.00	4.00	0.1	0.20	4.00	5.1	0.39	5.40	7.3	7.3
SNB-WL-A3S	179.99	0.00	4.00	0.1	0.20	4.00	5.1	0.39	5.40	7.3	7.3
SNB-WL-A1S	179.99	0.00	4.00	0.1	0.20	4.00	5.1	0.39	5.40	7.3	7.3
SNB-AP	179.99	0.00	4.00	0.1	0.20	4.00	5.1	0.39	5.40	7.3	7.3
RohnAP	179.98	0.00	4.00	0.1	0.20	4.00	5.1	0.39	5.40	7.3	7.3
SNB-Aa2	175.00	0.00	4.00	0.1	0.20	4.00	5.1	0.38	5.40	7.0	7.0
SNB-Aa1	175.00	0.00	4.00	0.1	0.20	4.00	5.1	0.38	5.40	7.0	7.0
RohnAa2	175.00	0.00	4.00	0.1	0.20	4.00	5.1	0.38	5.40	7.0	7.0
RohnAa1	175.00	0.00	4.00	0.1	0.20	4.00	5.1	0.38	5.40	7.0	7.0
SNB-AaS	174.99	0.00	4.00	0.1	0.20	4.00	5.1	0.38	5.40	7.0	7.0
RohnAaS	174.98	0.00	4.00	0.1	0.20	4.00	5.1	0.38	5.40	7.0	7.0
SNB-Ab2	170.00	0.00	4.00	0.1	0.20	4.00	5.1	0.36	5.40	6.6	6.6
SNB-Ab1	170.00	0.00	4.00	0.1	0.20	4.00	5.1	0.36	5.40	6.6	6.6
RohnAb2	170.00	0.00	4.00	0.1	0.20	4.00	5.1	0.36	5.40	6.6	6.6
RohnAb1	170.00	0.00	4.00	0.1	0.20	4.00	5.1	0.36	5.40	6.6	6.6
SNB-AbS	169.99	0.00	4.00	0.1	0.20	4.00	5.1	0.36	5.40	6.6	6.6
RohnAbS	169.98	0.00	4.00	0.1	0.20	4.00	5.1	0.36	5.40	6.6	6.6
SNB-Ac2	165.00	0.00	4.00	0.1	0.20	4.00	5.1	0.34	5.40	6.3	6.3
SNB-Ac1	165.00	0.00	4.00	0.1	0.20	4.00	5.1	0.34	5.40	6.3	6.3
RohnAc2	165.00	0.00	4.00	0.1	0.20	4.00	5.1	0.34	5.40	6.3	6.3
RohnAc1	165.00	0.00	4.00	0.1	0.20	4.00	5.1	0.34	5.40	6.3	6.3
SNB-AcS	164.99	0.00	4.00	0.1	0.20	4.00	5.1	0.34	5.40	6.3	6.3
RohnAcS	164.97	0.00	4.00	0.1	0.20	4.00	5.1	0.34	5.40	6.3	6.3
SNB-B2	160.00	0.00	4.00	0.1	0.20	4.00	5.1	0.32	5.40	6.0	6.0
SNB-B1	160.00	0.00	4.00	0.1	0.20	4.00	5.1	0.32	5.40	6.0	6.0
SNB-WL-B2S	160.00	0.00	4.00	0.1	0.20	4.00	5.1	0.32	5.40	6.0	6.0
RohnB2	160.00	0.00	4.00	0.1	0.20	4.00	5.1	0.32	5.40	6.0	6.0
RohnB1	160.00	0.00	4.00	0.1	0.20	4.00	5.1	0.32	5.40	6.0	6.0
SNB-WL-B3S	159.99	0.00	4.00	0.1	0.20	4.00	5.1	0.32	5.40	6.0	6.0
SNB-WL-B1S	159.99	0.00	4.00	0.1	0.20	4.00	5.1	0.32	5.40	6.0	6.0
SNB-BP	159.99	0.00	4.00	0.1	0.20	4.00	5.1	0.32	5.40	6.0	6.0
RohnBP	159.97	0.00	4.00	0.1	0.20	4.00	5.1	0.32	5.40	6.0	6.0
SNB-Ba2	155.00	0.00	4.00	0.1	0.20	4.00	5.1	0.30	5.40	5.6	5.6
SNB-Ba1	155.00	0.00	4.00	0.1	0.20	4.00	5.1	0.30	5.40	5.6	5.6
RohnBa2	155.00	0.00	4.00	0.1	0.20	4.00	5.1	0.30	5.40	5.6	5.6
RohnBa1	155.00	0.00	4.00	0.1	0.20	4.00	5.1	0.30	5.40	5.6	5.6
SNB-BaS	154.98	0.00	4.00	0.1	0.20	4.00	5.1	0.30	5.40	5.6	5.6
RohnBaS	154.97	0.00	4.00	0.1	0.20	4.00	5.1	0.30	5.40	5.6	5.6
SNB-Bb2	150.00	0.00	4.00	0.1	0.20	4.00	5.1	0.29	5.40	5.3	5.3
SNB-Bb1	150.00	0.00	4.00	0.1	0.20	4.00	5.1	0.29	5.40	5.3	5.3
RohnBb2	150.00	0.00	4.00	0.1	0.20	4.00	5.1	0.29	5.40	5.3	5.3
RohnBb1	150.00	0.00	4.00	0.1	0.20	4.00	5.1	0.29	5.40	5.3	5.3
SNB-BbS	149.98	0.00	4.00	0.1	0.20	4.00	5.1	0.29	5.40	5.3	5.3
RohnBbS	149.97	0.00	4.00	0.1	0.20	4.00	5.1	0.29	5.40	5.3	5.3
SNB-Bc2	145.00	0.00	4.00	0.1	0.20	4.00	5.1	0.27	5.40	5.0	5.1
SNB-Bc1	145.00	0.00	4.00	0.1	0.20	4.00	5.1	0.27	5.40	5.0	5.1
RohnBc2	145.00	0.00	4.00	0.1	0.20	4.00	5.1	0.27	5.40	5.0	5.1
RohnBc1	145.00	0.00	4.00	0.1	0.20	4.00	5.1	0.27	5.40	5.0	5.1
SNB-BcS	144.98	0.00	4.00	0.1	0.20	4.00	5.1	0.27	5.40	5.0	5.1
RohnBcS	144.97	0.00	4.00	0.1	0.20	4.00	5.1	0.27	5.40	5.0	5.1
SNB-C2	140.00	0.00	4.00	0.1	0.20	4.00	5.1	0.25	5.40	4.7	5.1
SNB-C1	140.00	0.00	4.00	0.1	0.20	4.00	5.1	0.25	5.40	4.7	5.1
SNB-WL-C2S	140.00	0.00	4.00	0.1	0.20	4.00	5.1	0.25	5.40	4.7	5.1
RohnC2	140.00	0.00	4.00	0.1	0.20	4.00	5.1	0.25	5.40	4.7	5.1
RohnC1	140.00	0.00	4.00	0.1	0.20	4.00	5.1	0.25	5.40	4.7	5.1
SNB-WL-C3S	139.99	0.00	4.00	0.1	0.20	4.00	5.1	0.25	5.40	4.7	5.1
SNB-WL-C1S	139.99	0.00	4.00	0.1	0.20	4.00	5.1	0.25	5.40	4.7	5.1
SNB-CP	139.98	0.00	4.00	0.1	0.20	4.00	5.1	0.25	5.40	4.7	5.1
RohnCP	139.97	0.00	4.00	0.1	0.20	4.00	5.1	0.25	5.40	4.7	5.1
SNB-Ca2	133.34	0.00	4.00	0.1	0.20	4.00	5.1	0.23	5.40	4.3	5.1
SNB-Ca1	133.34	0.00	4.00	0.1	0.20	4.00	5.1	0.23	5.40	4.3	5.1
RohnCa2	133.34	0.00	4.00	0.1	0.20	4.00	5.1	0.23	5.40	4.3	5.1
RohnCa1	133.34	0.00	4.00	0.1	0.20	4.00	5.1	0.23	5.40	4.3	5.1
SNB-CaS	133.32	0.00	4.00	0.1	0.20	4.00	5.1	0.23	5.40	4.3	5.1
RohnCaS	133.31	0.00	4.00	0.1	0.20	4.00	5.1	0.23	5.40	4.3	5.1
SNB-Cb2	126.66	0.00	4.00	0.1	0.20	4.00	5.1	0.21	5.40	3.9	5.1

SNB-Cb1	126.66	0.00	4.00	0.1	0.20	4.00	5.1	0.21	5.40	3.9	5.1
RohnCb2	126.66	0.00	4.00	0.1	0.20	4.00	5.1	0.21	5.40	3.9	5.1
RohnCb1	126.66	0.00	4.00	0.1	0.20	4.00	5.1	0.21	5.40	3.9	5.1
SNB-CbS	126.64	0.00	4.00	0.1	0.20	4.00	5.1	0.21	5.40	3.9	5.1
RohnCbS	126.63	0.00	4.00	0.1	0.20	4.00	5.1	0.21	5.40	3.9	5.1
SNB-D2	120.00	0.00	4.00	0.1	0.20	4.00	5.1	0.19	5.40	3.5	5.1
SNB-D1	120.00	0.00	4.00	0.1	0.20	4.00	5.1	0.19	5.40	3.5	5.1
RohnD2	120.00	0.00	4.00	0.1	0.20	4.00	5.1	0.19	5.40	3.5	5.1
RohnD1	120.00	0.00	4.00	0.1	0.20	4.00	5.1	0.19	5.40	3.5	5.1
SNB-WL-D2S	120.00	0.00	4.00	0.1	0.20	4.00	5.1	0.19	5.40	3.5	5.1
SNB-WL-D3S	119.99	0.00	4.00	0.1	0.20	4.00	5.1	0.19	5.40	3.5	5.1
SNB-WL-D1S	119.99	0.00	4.00	0.1	0.20	4.00	5.1	0.19	5.40	3.5	5.1
SNB-DP	119.98	0.00	4.00	0.1	0.20	4.00	5.1	0.19	5.40	3.5	5.1
RohnDP	119.97	0.00	4.00	0.1	0.20	4.00	5.1	0.19	5.40	3.5	5.1
SNB-Da2	113.34	0.00	4.00	0.1	0.20	4.00	5.1	0.17	5.40	3.1	5.1
SNB-Da1	113.34	0.00	4.00	0.1	0.20	4.00	5.1	0.17	5.40	3.1	5.1
RohnDa2	113.34	0.00	4.00	0.1	0.20	4.00	5.1	0.17	5.40	3.1	5.1
RohnDa1	113.34	0.00	4.00	0.1	0.20	4.00	5.1	0.17	5.40	3.1	5.1
SNB-DaS	113.32	0.00	4.00	0.1	0.20	4.00	5.1	0.17	5.40	3.1	5.1
RohnDaS	113.31	0.00	4.00	0.1	0.20	4.00	5.1	0.17	5.40	3.1	5.1
SNB-Db2	106.66	0.00	4.00	0.1	0.20	4.00	5.1	0.15	5.40	2.7	5.1
SNB-Db1	106.66	0.00	4.00	0.1	0.20	4.00	5.1	0.15	5.40	2.7	5.1
RohnDb2	106.66	0.00	4.00	0.1	0.20	4.00	5.1	0.15	5.40	2.7	5.1
RohnDb1	106.66	0.00	4.00	0.1	0.20	4.00	5.1	0.15	5.40	2.7	5.1
SNB-DbS	106.64	0.00	4.00	0.1	0.20	4.00	5.1	0.15	5.40	2.8	5.1
RohnDbS	106.64	0.00	4.00	0.1	0.20	4.00	5.1	0.15	5.40	2.8	5.1
SNB-E2	100.00	0.00	4.00	0.1	0.20	4.00	5.1	0.13	5.40	2.4	5.1
SNB-E1	100.00	0.00	4.00	0.1	0.20	4.00	5.1	0.13	5.40	2.4	5.1
RohnE2	100.00	0.00	4.00	0.1	0.20	4.00	5.1	0.13	5.40	2.4	5.1
RohnE1	100.00	0.00	4.00	0.1	0.20	4.00	5.1	0.13	5.40	2.4	5.1
SNB-WL-E2S	100.00	0.00	4.00	0.1	0.20	4.00	5.1	0.13	5.40	2.4	5.1
SNB-WL-E3S	99.99	0.00	4.00	0.1	0.20	4.00	5.1	0.13	5.40	2.4	5.1
SNB-WL-E1S	99.99	0.00	4.00	0.1	0.20	4.00	5.1	0.13	5.40	2.4	5.1
SNB-EP	99.98	0.00	4.00	0.1	0.20	4.00	5.1	0.13	5.40	2.4	5.1
RohnEP	99.98	0.00	4.00	0.1	0.20	4.00	5.1	0.13	5.40	2.4	5.1
SNB-Ea2	93.34	0.00	4.00	0.1	0.20	4.00	5.1	0.11	5.40	2.1	5.1
SNB-Ea1	93.34	0.00	4.00	0.1	0.20	4.00	5.1	0.11	5.40	2.1	5.1
RohnEa2	93.34	0.00	4.00	0.1	0.20	4.00	5.1	0.11	5.40	2.1	5.1
RohnEa1	93.34	0.00	4.00	0.1	0.20	4.00	5.1	0.11	5.40	2.1	5.1
SNB-EaS	93.32	0.00	4.00	0.1	0.20	4.00	5.1	0.11	5.40	2.1	5.1
RohnEaS	93.32	0.00	4.00	0.1	0.20	4.00	5.1	0.11	5.40	2.1	5.1
SNB-Eb2	86.66	0.00	4.00	0.1	0.20	4.00	5.1	0.10	5.40	1.8	5.1
SNB-Eb1	86.66	0.00	4.00	0.1	0.20	4.00	5.1	0.10	5.40	1.8	5.1
RohnEb2	86.66	0.00	4.00	0.1	0.20	4.00	5.1	0.10	5.40	1.8	5.1
RohnEb1	86.66	0.00	4.00	0.1	0.20	4.00	5.1	0.10	5.40	1.8	5.1
SNB-EbS	86.64	0.00	4.00	0.1	0.20	4.00	5.1	0.10	5.40	1.8	5.1
RohnEbS	86.64	0.00	4.00	0.1	0.20	4.00	5.1	0.10	5.40	1.8	5.1
SNB-F2	80.00	0.00	4.00	0.1	0.20	4.00	5.1	0.08	5.40	1.6	5.1
SNB-F1	80.00	0.00	4.00	0.1	0.20	4.00	5.1	0.08	5.40	1.6	5.1
RohnF1	80.00	0.00	4.00	0.1	0.20	4.00	5.1	0.08	5.40	1.6	5.1
RohnF2	80.00	0.00	4.00	0.1	0.20	4.00	5.1	0.08	5.40	1.6	5.1
SNB-WL-F2S	80.00	0.00	4.00	0.1	0.20	4.00	5.1	0.08	5.40	1.6	5.1
SNB-WL-F3S	79.99	0.00	4.00	0.1	0.20	4.00	5.0	0.08	5.40	1.6	5.0
SNB-WL-F1S	79.99	0.00	4.00	0.1	0.20	4.00	5.0	0.08	5.40	1.6	5.0
SNB-FP	79.99	0.00	4.00	0.1	0.20	4.00	5.0	0.08	5.40	1.6	5.0
RohnFP	79.98	0.00	4.00	0.1	0.20	4.00	5.0	0.08	5.40	1.6	5.0
SNB-Fa2	70.00	0.00	4.00	0.0	0.19	4.00	4.8	0.06	5.40	1.2	4.8
SNB-Fa1	70.00	0.00	4.00	0.0	0.19	4.00	4.8	0.06	5.40	1.2	4.8
RohnFa1	70.00	0.00	4.00	0.0	0.19	4.00	4.8	0.06	5.40	1.2	4.8
RohnFa2	70.00	0.00	4.00	0.0	0.19	4.00	4.8	0.06	5.40	1.2	4.8
SNB-FaS	69.99	0.00	4.00	0.0	0.19	4.00	4.7	0.07	5.40	1.2	4.7
RohnFaS	69.98	0.00	4.00	0.0	0.19	4.00	4.7	0.07	5.40	1.2	4.7
SNB-G2	60.00	0.00	4.00	0.0	0.17	4.00	4.3	0.05	5.40	0.9	4.3
SNB-G1	60.00	0.00	4.00	0.0	0.17	4.00	4.3	0.05	5.40	0.9	4.3
RohnG1	60.00	0.00	4.00	0.0	0.17	4.00	4.3	0.05	5.40	0.9	4.3
RohnG2	60.00	0.00	4.00	0.0	0.17	4.00	4.3	0.05	5.40	0.9	4.3
SNB-WL-G2S	60.00	0.00	4.00	0.0	0.17	4.00	4.3	0.05	5.40	0.9	4.3
SNB-WL-G3S	59.99	0.00	4.00	0.0	0.16	4.00	4.1	0.05	5.40	0.9	4.1
SNB-WL-G1S	59.99	0.00	4.00	0.0	0.16	4.00	4.1	0.05	5.40	0.9	4.1

SNB-GP	59.99	0.00	4.00	0.0	0.16	4.00	4.1	0.05	5.40	0.9	4.1
RohnGP	59.98	0.00	4.00	0.0	0.16	4.00	4.1	0.05	5.40	0.9	4.1
SNB-Ga2	50.00	-0.00	4.00	0.0	0.14	4.00	3.5	0.03	5.40	0.6	3.5
SNB-Ga1	50.00	-0.00	4.00	0.0	0.14	4.00	3.5	0.03	5.40	0.6	3.5
RohnGa1	50.00	-0.00	4.00	0.0	0.14	4.00	3.5	0.03	5.40	0.6	3.5
RohnGa2	50.00	-0.00	4.00	0.0	0.14	4.00	3.5	0.03	5.40	0.6	3.5
SNB-GaS	49.99	-0.00	4.00	0.0	0.13	4.00	3.3	0.03	5.40	0.6	3.3
RohnGaS	49.99	-0.00	4.00	0.0	0.13	4.00	3.3	0.03	5.40	0.6	3.3
SNB-H2	40.00	-0.00	4.00	0.0	0.11	4.00	2.8	0.02	5.40	0.4	2.8
SNB-H1	40.00	-0.00	4.00	0.0	0.11	4.00	2.8	0.02	5.40	0.4	2.8
RohnH1	40.00	-0.00	4.00	0.0	0.11	4.00	2.8	0.02	5.40	0.4	2.8
RohnH2	40.00	-0.00	4.00	0.0	0.11	4.00	2.8	0.02	5.40	0.4	2.8
SNB-WL-H2S	40.00	-0.00	4.00	0.0	0.09	4.00	2.4	0.02	5.40	0.4	2.4
SNB-WL-H3S	39.99	-0.00	4.00	0.0	0.09	4.00	2.4	0.02	5.40	0.4	2.4
SNB-WL-H1S	39.99	-0.00	4.00	0.0	0.09	4.00	2.4	0.02	5.40	0.4	2.4
SNB-HP	39.99	-0.00	4.00	0.0	0.09	4.00	2.4	0.02	5.40	0.4	2.4
RohnHP	39.99	-0.00	4.00	0.0	0.09	4.00	2.4	0.02	5.40	0.4	2.4
SNB-Ha2	30.00	-0.00	4.00	0.0	0.08	4.00	2.1	0.01	5.40	0.2	2.1
SNB-Ha1	30.00	-0.00	4.00	0.0	0.08	4.00	2.1	0.01	5.40	0.2	2.1
RohnHa2	30.00	-0.00	4.00	0.0	0.08	4.00	2.1	0.01	5.40	0.2	2.1
RohnHa1	30.00	-0.00	4.00	0.0	0.08	4.00	2.1	0.01	5.40	0.2	2.1
SNB-HaS	29.99	-0.00	4.00	0.0	0.07	4.00	1.7	0.01	5.40	0.3	1.7
RohnHaS	29.99	-0.00	4.00	0.0	0.07	4.00	1.7	0.01	5.40	0.3	1.7
SNB-I2	20.00	-0.00	4.00	0.0	0.06	4.00	1.4	0.01	5.40	0.1	1.4
SNB-I1	20.00	-0.00	4.00	0.0	0.06	4.00	1.4	0.01	5.40	0.1	1.4
RohnI2	20.00	-0.00	4.00	0.0	0.06	4.00	1.4	0.01	5.40	0.1	1.4
RohnI1	20.00	-0.00	4.00	0.0	0.06	4.00	1.4	0.01	5.40	0.1	1.4
SNB-WL-I2S	20.00	-0.00	4.00	0.0	0.04	4.00	0.9	0.01	5.40	0.1	0.9
SNB-IP	20.00	-0.00	4.00	0.0	0.04	4.00	0.9	0.01	5.40	0.1	0.9
RohnIP	19.99	-0.00	4.00	0.0	0.04	4.00	0.9	0.01	5.40	0.1	0.9
SNB-WL-I3S	19.99	-0.00	4.00	0.0	0.04	4.00	0.9	0.01	5.40	0.1	0.9
SNB-WL-I1S	19.99	-0.00	4.00	0.0	0.04	4.00	0.9	0.01	5.40	0.1	0.9
SNB-Ia2	10.00	-0.00	4.00	0.0	0.03	4.00	0.6	0.00	5.40	0.0	0.6
SNB-Ia1	10.00	-0.00	4.00	0.0	0.03	4.00	0.6	0.00	5.40	0.0	0.6
RohnIa2	10.00	-0.00	4.00	0.0	0.03	4.00	0.6	0.00	5.40	0.0	0.6
RohnIa1	10.00	-0.00	4.00	0.0	0.03	4.00	0.6	0.00	5.40	0.0	0.6
SNB-IaS	10.00	-0.00	4.00	0.0	0.01	4.00	0.3	0.00	5.40	0.0	0.3
RohnIaS	10.00	-0.00	4.00	0.0	0.01	4.00	0.3	0.00	5.40	0.0	0.3

Equilibrium Joint Positions and Rotations for Load Case "1.2*DL":

Joint Label	X-Displ (ft)	Y-Displ (ft)	Z-Displ (ft)	X-Rot (deg)	Y-Rot (deg)	Z-Rot (deg)	X-Pos (ft)	Y-Pos (ft)	Z-Pos (ft)
RohnAP	0.001688	0.0001689	-0.009409	-0.0002	0.0009	0.0000	4.335	0.0001689	180
RohnBP	0.00117	0.0001497	-0.009267	-0.0000	0.0011	0.0000	5.122	0.0001497	160
RohnCP	0.0007433	0.0001364	-0.008695	-0.0001	0.0010	0.0000	5.91	0.0001364	140
RohnDP	0.0004544	0.0001169	-0.007824	-0.0000	0.0002	-0.0000	6.695	0.0001169	120
RohnEP	0.0002592	9.238e-005	-0.006394	-0.0001	0.0003	-0.0000	7.481	9.238e-005	99.99
RohnFP	0.0001511	6.085e-005	-0.005157	-0.0001	-0.0013	-0.0000	8.268	6.085e-005	79.99
RohnGP	7.062e-005	3.119e-005	-0.00393	-0.0001	-0.0002	-0.0000	9.055	3.119e-005	60
RohnHP	3.082e-005	1.168e-005	-0.002703	-0.0000	-0.0003	-0.0000	9.841	1.168e-005	40
RohnIP	9.313e-006	1.85e-006	-0.001294	-0.0000	-0.0011	-0.0000	10.63	1.85e-006	20
RohnJP	0	0	0	0.0000	0.0000	0.0000	11.42	0	0
SNB-AP	0.001694	0.0001676	-0.004489	-0.0001	-0.0053	-0.0000	2.335	0.0001676	180
SNB-BP	0.001176	0.0001498	-0.004394	-0.0000	-0.0032	-0.0000	3.122	0.0001498	160
SNB-CP	0.0007484	0.000136	-0.00418	-0.0001	-0.0039	-0.0000	3.909	0.000136	140
SNB-DP	0.0004584	0.0001169	-0.003805	-0.0001	-0.0075	0.0000	4.695	0.0001169	120
SNB-EP	0.0002617	9.164e-005	-0.003199	-0.0001	-0.0045	-0.0000	5.481	9.164e-005	100
SNB-FP	0.0001524	6.012e-005	-0.002754	-0.0001	-0.0075	-0.0000	6.268	6.012e-005	80
SNB-GP	7.135e-005	3.151e-005	-0.002157	-0.0001	-0.0099	-0.0000	7.055	3.151e-005	60
SNB-HP	3.111e-005	1.223e-005	-0.001526	-0.0000	-0.0086	-0.0000	7.841	1.223e-005	40
SNB-IP	9.328e-006	2.321e-006	-0.0007472	-0.0000	-0.0071	-0.0000	8.628	2.321e-006	20
SNB-JP	0	0	0	0.0000	0.0000	0.0000	9.415	0	0
RohnA1	0.001696	0.0001734	-0.009236	-0.0006	0.0017	-0.0000	-2.165	-3.752	180
RohnA2	0.001697	0.0001626	-0.00926	0.0004	0.0017	0.0000	-2.165	3.753	180
RohnB1	0.001178	0.0001539	-0.009036	-0.0003	0.0017	-0.0000	-2.559	-4.435	160
RohnB2	0.001178	0.0001456	-0.009037	0.0002	0.0017	0.0000	-2.559	4.435	160
RohnC1	0.0007394	0.0001371	-0.008524	-0.0001	0.0010	-0.0000	-2.954	-5.117	140
RohnC2	0.0007398	0.000135	-0.008533	-0.0000	0.0010	0.0000	-2.954	5.117	140
RohnD1	0.0004354	0.0001088	-0.007689	-0.0004	0.0009	-0.0000	-3.347	-5.798	120
RohnD2	0.0004354	0.0001249	-0.007698	0.0003	0.0009	0.0000	-3.347	5.798	120
RohnE1	0.0002435	8.511e-005	-0.006299	-0.0002	0.0005	-0.0000	-3.74	-6.479	99.99
RohnE2	0.0002442	9.852e-005	-0.006319	0.0000	0.0005	0.0000	-3.74	6.479	99.99
RohnF1	0.0001294	4.944e-005	-0.005088	-0.0015	0.0010	0.0000	-4.134	-7.16	79.99
RohnF2	0.00013	7.115e-005	-0.005118	0.0013	0.0010	0.0000	-4.134	7.16	79.99
RohnG1	6.532e-005	2.892e-005	-0.00388	-0.0004	0.0003	0.0000	-4.527	-7.842	60
RohnG2	6.504e-005	3.395e-005	-0.003905	0.0003	0.0003	0.0000	-4.527	7.842	60
RohnH1	2.289e-005	8.022e-006	-0.002671	-0.0004	0.0003	0.0000	-4.92	-8.523	40
RohnH2	2.235e-005	1.627e-005	-0.002686	0.0003	0.0003	0.0000	-4.92	8.523	40
RohnI1	2.458e-006	-1.174e-006	-0.00128	-0.0010	0.0006	0.0000	-5.315	-9.206	20
RohnI2	1.987e-006	5.689e-006	-0.001287	0.0010	0.0006	0.0000	-5.315	9.206	20
RohnJ1	0	0	0	0.0000	0.0000	0.0000	-5.71	-9.89	0
RohnJ2	0	0	0	0.0000	0.0000	0.0000	-5.71	9.89	0
SNB-A1	0.001694	0.0001678	-0.004397	-0.0060	0.0049	0.0000	-1.165	-2.02	180
SNB-A2	0.001694	0.0001676	-0.004401	0.0058	0.0049	0.0000	-1.165	2.021	180
SNB-B1	0.001175	0.0001492	-0.004281	-0.0041	0.0038	-0.0000	-1.559	-2.703	160
SNB-B2	0.001175	0.0001503	-0.004284	0.0040	0.0038	0.0000	-1.559	2.703	160
SNB-C1	0.0007397	0.0001312	-0.004072	-0.0043	0.0035	-0.0000	-1.953	-3.384	140
SNB-C2	0.0007397	0.0001407	-0.004078	0.0042	0.0035	0.0000	-1.953	3.385	140
SNB-D1	0.0004356	0.0001042	-0.003714	-0.0072	0.0048	-0.0000	-2.347	-4.066	120
SNB-D2	0.0004356	0.0001295	-0.003723	0.0070	0.0048	0.0000	-2.347	4.066	120
SNB-E1	0.0002443	8.186e-005	-0.003135	-0.0044	0.0029	-0.0000	-2.74	-4.747	100
SNB-E2	0.0002443	0.0001014	-0.003148	0.0042	0.0029	0.0000	-2.74	4.747	100
SNB-F1	0.00013	4.749e-005	-0.002703	-0.0068	0.0042	-0.0000	-3.134	-5.428	80
SNB-F2	0.00013	7.276e-005	-0.002719	0.0067	0.0042	0.0000	-3.134	5.428	80
SNB-G1	6.521e-005	2.816e-005	-0.00212	-0.0087	0.0052	-0.0000	-3.527	-6.11	60
SNB-G2	6.52e-005	3.488e-005	-0.002134	0.0086	0.0052	0.0000	-3.527	6.11	60
SNB-H1	2.288e-005	7.7e-006	-0.001503	-0.0076	0.0044	-0.0000	-3.92	-6.79	40
SNB-H2	2.282e-005	1.687e-005	-0.001512	0.0075	0.0044	0.0000	-3.92	6.791	40
SNB-I1	2.682e-006	-1.32e-006	-0.0007368	-0.0062	0.0036	-0.0000	-4.314	-7.472	20
SNB-I2	2.619e-006	6.071e-006	-0.0007412	0.0061	0.0036	0.0000	-4.314	7.472	20
SNB-J1	0	0	0	0.0000	0.0000	0.0000	-4.708	-8.154	0
SNB-J2	0	0	0	0.0000	0.0000	0.0000	-4.708	8.154	0

RohnAaS	0.001588	0.0001556	-0.009392	-0.0001	0.0016	0.0000	4.532	0.0001556	175
RohnAbS	0.001435	0.0001539	-0.009362	-0.0000	0.0013	0.0000	4.728	0.0001539	170
RohnAcS	0.001338	0.0001522	-0.009319	-0.0000	0.0016	0.0000	4.925	0.0001522	165
RohnBaS	0.001099	0.0001478	-0.009159	-0.0000	0.0013	0.0000	5.319	0.0001478	155
RohnBbS	0.0009437	0.0001443	-0.009046	-0.0000	0.0011	0.0000	5.516	0.0001443	150
RohnBcS	0.0008896	0.0001405	-0.008873	-0.0000	0.0011	0.0000	5.713	0.0001405	145
RohnCaS	0.0007158	0.0001299	-0.008468	-0.0001	-0.0001	-0.0000	6.171	0.0001299	133.3
RohnCbS	0.0006381	0.0001225	-0.008184	-0.0001	0.0015	-0.0000	6.434	0.0001225	126.7
RohnDaS	0.0005051	0.0001105	-0.007408	-0.0001	-0.0007	-0.0000	6.957	0.0001105	113.3
RohnDbS	0.0004583	0.0001017	-0.006899	-0.0001	0.0014	-0.0000	7.22	0.0001017	106.7
RohnEaS	0.0003148	8.214e-005	-0.005997	-0.0001	-0.0005	-0.0000	7.743	8.214e-005	93.33
RohnEbS	0.000245	7.181e-005	-0.005582	-0.0001	0.0013	-0.0000	8.006	7.181e-005	86.65
RohnFaS	0.0004286	4.361e-005	-0.004547	-0.0001	0.0005	-0.0000	8.662	4.361e-005	70
RohnGaS	0.0003509	1.871e-005	-0.00332	-0.0001	0.0001	-0.0000	9.448	1.871e-005	50
RohnHaS	0.0003577	5.183e-006	-0.002	-0.0000	0.0002	-0.0000	10.24	5.183e-006	30
RohnIaS	0.0003001	-2.9e-007	-0.0006503	-0.0000	0.0001	-0.0000	11.03	-2.9e-007	9.999
SNB-AaS	0.001594	0.000161	-0.004476	-0.0001	0.0033	-0.0000	2.532	0.000161	175
SNB-AbS	0.001441	0.0001555	-0.004458	-0.0000	0.0006	-0.0000	2.728	0.0001555	170
SNB-AcS	0.001344	0.0001523	-0.004429	-0.0000	0.0029	-0.0000	2.925	0.0001523	165
SNB-BaS	0.001105	0.000147	-0.004349	-0.0000	0.0026	-0.0000	3.319	0.000147	155
SNB-BbS	0.0009493	0.0001439	-0.004301	-0.0000	0.0005	-0.0000	3.515	0.0001439	150
SNB-BcS	0.000895	0.0001403	-0.004241	-0.0000	0.0025	-0.0000	3.712	0.0001403	145
SNB-CaS	0.0007206	0.00013	-0.004068	-0.0001	0.0008	0.0000	4.171	0.00013	133.3
SNB-CbS	0.0006426	0.0001237	-0.003935	-0.0001	0.0033	0.0000	4.434	0.0001237	126.7
SNB-DaS	0.0005086	0.0001097	-0.003618	-0.0001	0.0012	0.0000	4.957	0.0001097	113.3
SNB-DbS	0.0004613	0.0001012	-0.003404	-0.0001	0.0023	-0.0000	5.22	0.0001012	106.7
SNB-EaS	0.000317	8.152e-005	-0.003058	-0.0001	0.0005	-0.0000	5.743	8.152e-005	93.34
SNB-EbS	0.0002468	7.076e-005	-0.002905	-0.0001	0.0027	-0.0000	6.006	7.076e-005	86.66
SNB-FaS	0.0004296	4.42e-005	-0.002453	-0.0001	0.0046	-0.0000	6.662	4.42e-005	70
SNB-GaS	0.0003514	1.998e-005	-0.001839	-0.0001	0.0046	-0.0000	7.448	1.998e-005	50
SNB-HaS	0.0003579	5.388e-006	-0.001133	-0.0000	0.0038	-0.0000	8.235	5.388e-006	30
SNB-IaS	0.0003001	-1.139e-007	-0.0003712	-0.0000	0.0016	-0.0000	9.022	-1.139e-007	10
SNB-WL-A1S	0.001694	0.0001677	-0.004615	-0.0030	-0.0002	-0.0000	0.5849	-1.01	180
SNB-WL-A2S	0.001694	0.0001677	-0.004571	-0.0001	0.0049	0.0000	-1.165	0.0001677	180
SNB-WL-A3S	0.001694	0.0001677	-0.004617	0.0029	-0.0002	-0.0000	0.5849	1.01	180
SNB-WL-B1S	0.001176	0.0001498	-0.004592	-0.0020	0.0002	0.0000	0.7814	-1.351	160
SNB-WL-B2S	0.001176	0.0001498	-0.004537	-0.0000	0.0038	0.0000	-1.559	0.0001498	160
SNB-WL-B3S	0.001176	0.0001498	-0.004594	0.0019	0.0002	-0.0000	0.7814	1.352	160
SNB-WL-C1S	0.0007427	0.0001359	-0.004612	-0.0022	-0.0002	-0.0000	0.9777	-1.692	140
SNB-WL-C2S	0.0007426	0.000136	-0.004561	-0.0000	0.0035	-0.0000	-1.953	0.000136	140
SNB-WL-C3S	0.0007427	0.000136	-0.004615	0.0021	-0.0002	0.0000	0.9777	1.692	140
SNB-WL-D1S	0.0004434	0.0001167	-0.004854	-0.0036	-0.0013	-0.0000	1.174	-2.033	120
SNB-WL-D2S	0.0004432	0.0001169	-0.004812	-0.0001	0.0048	-0.0000	-2.347	0.0001169	120
SNB-WL-D3S	0.0004434	0.000117	-0.004858	0.0035	-0.0013	0.0000	1.174	2.033	120
SNB-WL-E1S	0.0002502	9.154e-005	-0.00393	-0.0022	-0.0008	-0.0000	1.371	-2.373	100
SNB-WL-E2S	0.00025	9.164e-005	-0.003905	-0.0001	0.0029	-0.0000	-2.74	9.164e-005	100
SNB-WL-E3S	0.0002502	9.174e-005	-0.003937	0.0021	-0.0008	0.0000	1.371	2.373	100
SNB-WL-F1S	0.0001376	6.002e-005	-0.004238	-0.0035	-0.0017	-0.0000	1.567	-2.714	80
SNB-WL-F2S	0.0001375	6.012e-005	-0.00422	-0.0001	0.0042	-0.0000	-3.134	6.012e-005	80
SNB-WL-F3S	0.0001376	6.022e-005	-0.004246	0.0033	-0.0017	0.0000	1.567	2.714	80
SNB-WL-G1S	6.731e-005	3.149e-005	-0.004888	-0.0044	-0.0023	-0.0000	1.764	-3.055	60
SNB-WL-G2S	6.727e-005	3.152e-005	-0.004876	-0.0001	0.0052	-0.0000	-3.527	3.152e-005	60
SNB-WL-G3S	6.731e-005	3.154e-005	-0.004895	0.0043	-0.0023	0.0000	1.764	3.055	60
SNB-WL-H1S	2.566e-005	1.225e-005	-0.005461	-0.0038	-0.0021	-0.0000	1.96	-3.395	39.99
SNB-WL-H2S	2.562e-005	1.228e-005	-0.005454	-0.0000	0.0044	0.0000	-3.92	1.228e-005	39.99
SNB-WL-H3S	2.566e-005	1.231e-005	-0.005466	0.0037	-0.0021	0.0000	1.96	3.395	39.99
SNB-WL-I1S	4.93e-006	2.356e-006	-0.006097	-0.0031	-0.0017	-0.0000	2.157	-3.736	19.99
SNB-WL-I2S	4.897e-006	2.374e-006	-0.006094	-0.0000	0.0036	0.0000	-4.314	2.374e-006	19.99
SNB-WL-I3S	4.929e-006	2.391e-006	-0.006099	0.0031	-0.0017	0.0000	2.157	3.736	19.99
RohnAa1	0.001559	0.0001391	-0.009211	0.0000	0.0014	-0.0000	-2.263	-3.923	175
RohnAa2	0.001555	0.0001795	-0.009225	-0.0002	0.0014	0.0000	-2.263	3.923	175
RohnAb1	0.001442	0.0001548	-0.009171	-0.0002	0.0016	-0.0000	-2.362	-4.094	170
RohnAb2	0.00144	0.0001557	-0.009175	0.0001	0.0015	0.0000	-2.362	4.094	170
RohnAc1	0.001295	0.0001211	-0.009107	0.0001	0.0015	-0.0000	-2.461	-4.264	165
RohnAc2	0.001295	0.0001835	-0.00911	-0.0001	0.0015	0.0000	-2.461	4.264	165
RohnBa1	0.001022	0.0001115	-0.008945	-0.0000	0.0014	-0.0000	-2.658	-4.605	155
RohnBa2	0.001023	0.000183	-0.008949	-0.0000	0.0014	0.0000	-2.658	4.605	155
RohnBb1	0.0009334	0.0001417	-0.008846	-0.0002	0.0013	-0.0000	-2.757	-4.776	150
RohnBb2	0.0009336	0.0001464	-0.008852	0.0001	0.0013	0.0000	-2.757	4.776	150

RohnBc1	0.0008055	9.676e-005	-0.008689	-0.0001	0.0012	-0.0000	-2.855	-4.947	145
RohnBc2	0.0008058	0.0001838	-0.008696	-0.0000	0.0011	0.0000	-2.855	4.947	145
RohnCa1	0.0005861	5.936e-005	-0.008311	-0.0009	0.0014	-0.0000	-3.085	-5.344	133.3
RohnCa2	0.0005862	0.0002001	-0.008321	0.0008	0.0014	0.0000	-3.085	5.344	133.3
RohnCb1	0.0004766	3.24e-005	-0.008035	0.0005	0.0005	-0.0000	-3.216	-5.571	126.7
RohnCb2	0.0004759	0.0002138	-0.008045	-0.0006	0.0005	0.0000	-3.216	5.572	126.7
RohnDa1	0.0002962	-7.667e-006	-0.007282	-0.0012	0.0012	-0.0000	-3.478	-6.025	113.3
RohnDa2	0.0002971	0.0002271	-0.007295	0.0010	0.0012	0.0000	-3.478	6.025	113.3
RohnDb1	0.0002217	-3.036e-005	-0.006789	0.0007	0.0000	-0.0000	-3.609	-6.252	106.7
RohnDb2	0.0002222	0.0002329	-0.006806	-0.0009	0.0000	0.0000	-3.609	6.252	106.7
RohnEa1	0.0001508	-1.019e-005	-0.005911	-0.0008	0.0008	-0.0000	-3.871	-6.706	93.33
RohnEa2	0.0001513	0.0001736	-0.005934	0.0006	0.0008	0.0000	-3.871	6.706	93.33
RohnEb1	0.0001295	7.199e-006	-0.005504	0.0008	-0.0002	0.0000	-4.003	-6.933	86.65
RohnEb2	0.0001302	0.0001352	-0.00553	-0.0010	-0.0002	0.0000	-4.003	6.933	86.65
RohnFa1	-6.772e-005	-0.0002386	-0.004487	0.0002	0.0000	0.0000	-4.331	-7.501	70
RohnFa2	-6.912e-005	0.0003282	-0.004514	-0.0004	0.0000	0.0000	-4.331	7.501	70
RohnGa1	-0.0001101	-0.0002437	-0.003279	-0.0001	0.0001	0.0000	-4.724	-8.182	50
RohnGa2	-0.0001121	0.0002846	-0.003299	-0.0000	0.0001	0.0000	-4.724	8.182	50
RohnHa1	-0.0001598	-0.0002909	-0.001978	0.0001	-0.0000	0.0000	-5.118	-8.864	30
RohnHa2	-0.000161	0.0003032	-0.001988	-0.0002	-0.0000	0.0000	-5.118	8.865	30
RohnIa1	-0.000149	-0.0002576	-0.0006434	0.0001	-0.0000	0.0000	-5.513	-9.548	9.999
RohnIa2	-0.0001498	0.0002584	-0.0006466	-0.0001	-0.0000	-0.0000	-5.513	9.548	9.999
SNB-Aa1	0.001551	0.0001369	-0.004377	0.0015	0.0005	0.0000	-1.263	-2.191	175
SNB-Aa2	0.001552	0.0001845	-0.004382	-0.0017	0.0005	0.0000	-1.263	2.191	175
SNB-Ab1	0.001434	0.0001527	-0.004352	-0.0008	0.0020	-0.0000	-1.362	-2.361	170
SNB-Ab2	0.001433	0.0001587	-0.004356	0.0007	0.0020	0.0000	-1.362	2.362	170
SNB-Ac1	0.001284	0.0001211	-0.004318	0.0012	0.0008	-0.0000	-1.461	-2.532	165
SNB-Ac2	0.001284	0.0001835	-0.004322	-0.0012	0.0008	0.0000	-1.461	2.532	165
SNB-Ba1	0.001026	0.0001033	-0.004235	0.0010	0.0008	-0.0000	-1.658	-2.873	155
SNB-Ba2	0.001026	0.0001908	-0.004239	-0.0011	0.0008	0.0000	-1.658	2.873	155
SNB-Bb1	0.0009332	0.0001355	-0.004187	-0.0007	0.0016	-0.0000	-1.756	-3.044	150
SNB-Bb2	0.0009332	0.0001524	-0.004192	0.0006	0.0016	0.0000	-1.756	3.044	150
SNB-Bc1	0.0008052	9.096e-005	-0.00413	0.0012	0.0004	-0.0000	-1.855	-3.214	145
SNB-Bc2	0.0008053	0.0001895	-0.004136	-0.0013	0.0004	0.0000	-1.855	3.214	145
SNB-Ca1	0.0005831	5.562e-005	-0.003966	-0.0001	0.0010	-0.0000	-2.084	-3.611	133.3
SNB-Ca2	0.0005834	0.000204	-0.003972	0.0000	0.0010	0.0000	-2.084	3.612	133.3
SNB-Cb1	0.0004728	2.953e-005	-0.003838	0.0021	-0.0005	-0.0000	-2.216	-3.839	126.7
SNB-Cb2	0.0004732	0.0002173	-0.003846	-0.0022	-0.0005	0.0000	-2.216	3.839	126.7
SNB-Da1	0.0002938	-1.031e-005	-0.003535	0.0004	0.0003	-0.0000	-2.478	-4.293	113.3
SNB-Da2	0.000294	0.0002294	-0.003545	-0.0006	0.0003	0.0000	-2.478	4.293	113.3
SNB-Db1	0.0002211	-3.338e-005	-0.00333	0.0015	-0.0004	-0.0000	-2.609	-4.52	106.7
SNB-Db2	0.0002211	0.0002357	-0.003342	-0.0016	-0.0004	0.0000	-2.609	4.52	106.7
SNB-Ea1	0.0001508	-1.257e-005	-0.002998	0.0000	0.0003	-0.0000	-2.871	-4.974	93.34
SNB-Ea2	0.0001507	0.0001757	-0.003012	-0.0002	0.0003	0.0000	-2.871	4.974	93.34
SNB-Eb1	0.00013	4.975e-006	-0.00285	0.0020	-0.0009	-0.0000	-3.003	-5.201	86.66
SNB-Eb2	0.0001297	0.000137	-0.002865	-0.0022	-0.0009	0.0000	-3.003	5.201	86.66
SNB-Fa1	-6.949e-005	-0.0002387	-0.002409	0.0037	-0.0020	-0.0000	-3.331	-5.769	70
SNB-Fa2	-7.038e-005	0.0003287	-0.002424	-0.0039	-0.0020	0.0000	-3.331	5.769	70
SNB-Ga1	-0.0001113	-0.0002437	-0.001809	0.0039	-0.0021	-0.0000	-3.724	-6.45	50
SNB-Ga2	-0.0001122	0.0002852	-0.001821	-0.0040	-0.0021	0.0000	-3.724	6.45	50
SNB-Ha1	-0.0001602	-0.0002908	-0.001116	0.0032	-0.0018	-0.0000	-4.117	-7.132	30
SNB-Ha2	-0.0001612	0.0003033	-0.001123	-0.0033	-0.0018	0.0000	-4.117	7.132	30
SNB-Ia1	-0.000149	-0.0002576	-0.0003661	0.0014	-0.0008	-0.0000	-4.511	-7.813	10
SNB-Ia2	-0.0001497	0.0002585	-0.0003683	-0.0014	-0.0008	0.0000	-4.511	7.813	10

Joint Support Reactions for Load Case "1.2*DL":

Joint Label	X Force (kips)	X Usage % (kips)	Y Force (kips)	Y Usage % (kips)	Z Force (kips)	Z Usage %	Comp. Usage %	Uplift Usage %	Result. Force (kips)	Result. Usage % (ft-k)	X X-M. Moment (ft-k)	X X-M. Usage % (ft-k)	Y Y-M. Moment (ft-k)	Y Y-M. Usage % (ft-k)	Z Z-M. Moment (ft-k)	Z Z-M. Usage %	Max. Usage %
RohnJP	-1.07	0.0	0.00	0.0	19.88	0.0	0.0	0.0	19.91	0.0	-0.00	0.0	-0.3	0.0	-0.00	0.0	0.0
SNB-JP	-0.55	0.0	0.00	0.0	18.52	0.0	0.0	0.0	18.53	0.0	-0.00	0.0	-0.5	0.0	-0.00	0.0	0.0
RohnJ1	0.53	0.0	0.92	0.0	19.69	0.0	0.0	0.0	19.72	0.0	-0.24	0.0	0.1	0.0	-0.00	0.0	0.0
RohnJ2	0.53	0.0	-0.92	0.0	19.78	0.0	0.0	0.0	19.81	0.0	0.24	0.0	0.1	0.0	0.00	0.0	0.0
SNB-J1	0.27	0.0	0.47	0.0	18.28	0.0	0.0	0.0	18.29	0.0	-0.41	0.0	0.2	0.0	-0.00	0.0	0.0
SNB-J2	0.28	0.0	-0.47	0.0	18.38	0.0	0.0	0.0	18.39	0.0	0.41	0.0	0.2	0.0	0.00	0.0	0.0

Joint Displacements, Loads and Member Forces on Joints for Load Case "1.2*DL":

Joint Label	X External Load (kips)	Y External Load (kips)	Z External Load (kips)	X Member Force (kips)	Y Member Force (kips)	Z Member Force (kips)	X Disp. (ft)	Y Disp. (ft)	Z Disp. (ft)
RohnAP	0.0000	0.0000	-0.3543	0.0000	0.0000	0.3543	0.0017	0.0002	-0.0094
RohnBP	0.0000	0.0000	-1.2721	0.0000	0.0000	1.2721	0.0012	0.0001	-0.0093
RohnCP	0.0000	0.0000	-0.5121	0.0000	0.0000	0.5121	0.0007	0.0001	-0.0087
RohnDP	0.0000	0.0000	-0.6208	0.0000	0.0000	0.6208	0.0005	0.0001	-0.0078
RohnEP	0.0000	0.0000	-0.7694	0.0000	0.0000	0.7694	0.0003	0.0001	-0.0064
RohnFP	0.0000	0.0000	-1.0436	0.0000	0.0000	1.0436	0.0002	0.0001	-0.0052
RohnGP	0.0000	0.0000	-1.3901	0.0000	0.0000	1.3901	0.0001	0.0000	-0.0039
RohnHP	0.0000	0.0000	-1.3837	0.0000	0.0000	1.3837	0.0000	0.0000	-0.0027
RohnIP	0.0000	0.0000	-1.5524	0.0000	0.0000	1.5524	0.0000	0.0000	-0.0013
RohnJP	0.0000	0.0000	-0.8390	1.0658	-0.0007	-19.0455	0.0000	0.0000	0.0000
SNB-AP	0.0000	0.0000	-0.1863	0.0000	0.0000	0.1863	0.0017	0.0002	-0.0045
SNB-BP	0.0000	0.0000	-0.4033	0.0000	0.0000	0.4033	0.0012	0.0001	-0.0044
SNB-CP	0.0000	0.0000	-0.5121	0.0000	0.0000	0.5121	0.0007	0.0001	-0.0042
SNB-DP	0.0000	0.0000	-0.6208	0.0000	0.0000	0.6208	0.0005	0.0001	-0.0038
SNB-EP	0.0000	0.0000	-0.7694	0.0000	0.0000	0.7694	0.0003	0.0001	-0.0032
SNB-FP	0.0000	0.0000	-1.0436	0.0000	0.0000	1.0436	0.0002	0.0001	-0.0028
SNB-GP	0.0000	0.0000	-1.2701	0.0000	0.0000	1.2701	0.0001	0.0000	-0.0022
SNB-HP	0.0000	0.0000	-1.3837	0.0000	0.0000	1.3837	0.0000	0.0000	-0.0015
SNB-IP	0.0000	0.0000	-1.5524	0.0000	0.0000	1.5524	0.0000	0.0000	-0.0007
SNB-JP	0.0000	0.0000	-0.8390	0.5488	-0.0012	-17.6794	0.0000	0.0000	0.0000
RohnA1	0.0000	0.0000	-0.3543	0.0000	0.0000	0.3543	0.0017	0.0002	-0.0092
RohnA2	0.0000	0.0000	-0.5223	0.0000	0.0000	0.5223	0.0017	0.0002	-0.0093
RohnB1	0.0000	0.0000	-0.5401	0.0000	0.0000	0.5401	0.0012	0.0002	-0.0090
RohnB2	0.0000	0.0000	-0.4621	0.0000	0.0000	0.4621	0.0012	0.0001	-0.0090
RohnC1	0.0000	0.0000	-0.5121	0.0000	0.0000	0.5121	0.0007	0.0001	-0.0085
RohnC2	0.0000	0.0000	-0.5121	0.0000	0.0000	0.5121	0.0007	0.0001	-0.0085
RohnD1	0.0000	0.0000	-0.7048	0.0000	0.0000	0.7048	0.0004	0.0001	-0.0077
RohnD2	0.0000	0.0000	-0.6208	0.0000	0.0000	0.6208	0.0004	0.0001	-0.0077
RohnE1	0.0000	0.0000	-0.7694	0.0000	0.0000	0.7694	0.0002	0.0001	-0.0063
RohnE2	0.0000	0.0000	-0.7694	0.0000	0.0000	0.7694	0.0002	0.0001	-0.0063
RohnF1	0.0000	0.0000	-1.0436	0.0000	0.0000	1.0436	0.0001	0.0000	-0.0051
RohnF2	0.0000	0.0000	-1.2176	0.0000	0.0000	1.2176	0.0001	0.0001	-0.0051
RohnG1	0.0000	0.0000	-1.3421	0.0000	0.0000	1.3421	0.0001	0.0000	-0.0039
RohnG2	0.0000	0.0000	-1.4573	0.0000	0.0000	1.4573	0.0001	0.0000	-0.0039
RohnH1	0.0000	0.0000	-1.3837	0.0000	0.0000	1.3837	0.0000	0.0000	-0.0027
RohnH2	0.0000	0.0000	-1.3837	0.0000	0.0000	1.3837	0.0000	0.0000	-0.0027
RohnI1	0.0000	0.0000	-1.5524	0.0000	0.0000	1.5524	0.0000	-0.0000	-0.0013
RohnI2	0.0000	0.0000	-1.5524	0.0000	0.0000	1.5524	0.0000	0.0000	-0.0013
RohnJ1	0.0000	0.0000	-0.8390	-0.5315	-0.9191	-18.8479	0.0000	0.0000	0.0000
RohnJ2	0.0000	0.0000	-0.8390	-0.5329	-0.9202	-18.9387	0.0000	0.0000	0.0000
SNB-A1	0.0000	0.0000	-0.1863	0.0000	0.0000	0.1863	0.0017	0.0002	-0.0044
SNB-A2	0.0000	0.0000	-0.1863	0.0000	0.0000	0.1863	0.0017	0.0002	-0.0044
SNB-B1	0.0000	0.0000	-0.4033	0.0000	0.0000	0.4033	0.0012	0.0001	-0.0043
SNB-B2	0.0000	0.0000	-0.4033	0.0000	0.0000	0.4033	0.0012	0.0002	-0.0043
SNB-C1	0.0000	0.0000	-0.5121	0.0000	0.0000	0.5121	0.0007	0.0001	-0.0041
SNB-C2	0.0000	0.0000	-0.5121	0.0000	0.0000	0.5121	0.0007	0.0001	-0.0041
SNB-D1	0.0000	0.0000	-0.6208	0.0000	0.0000	0.6208	0.0004	0.0001	-0.0037
SNB-D2	0.0000	0.0000	-0.6208	0.0000	0.0000	0.6208	0.0004	0.0001	-0.0037
SNB-E1	0.0000	0.0000	-0.7694	0.0000	0.0000	0.7694	0.0002	0.0001	-0.0031
SNB-E2	0.0000	0.0000	-0.7694	0.0000	0.0000	0.7694	0.0002	0.0001	-0.0031
SNB-F1	0.0000	0.0000	-1.0436	0.0000	0.0000	1.0436	0.0001	0.0000	-0.0027
SNB-F2	0.0000	0.0000	-1.0436	0.0000	0.0000	1.0436	0.0001	0.0001	-0.0027
SNB-G1	0.0000	0.0000	-1.2701	0.0000	0.0000	1.2701	0.0001	0.0000	-0.0021
SNB-G2	0.0000	0.0000	-1.2701	0.0000	0.0000	1.2701	0.0001	0.0000	-0.0021
SNB-H1	0.0000	0.0000	-1.3837	0.0000	0.0000	1.3837	0.0000	0.0000	-0.0015
SNB-H2	0.0000	0.0000	-1.3837	0.0000	0.0000	1.3837	0.0000	0.0000	-0.0015
SNB-I1	0.0000	0.0000	-1.5524	0.0000	0.0000	1.5524	0.0000	-0.0000	-0.0007
SNB-I2	0.0000	0.0000	-1.5524	0.0000	0.0000	1.5524	0.0000	0.0000	-0.0007
SNB-J1	0.0000	0.0000	-0.8390	-0.2743	-0.4718	-17.4395	0.0000	0.0000	0.0000
SNB-J2	0.0000	0.0000	-0.8390	-0.2761	0.4726	-17.5409	0.0000	0.0000	0.0000
RohnAaS	0.0000	0.0000	-0.2490	0.0000	0.0000	0.2490	0.0016	0.0002	-0.0094
RohnAbS	0.0000	0.0000	-0.1863	0.0000	0.0000	0.1863	0.0014	0.0002	-0.0094
RohnAcS	0.0000	0.0000	-0.2502	0.0000	0.0000	0.2502	0.0013	0.0002	-0.0093

RohnBaS	0.0000	0.0000	-0.2170	0.0000	0.0000	0.2170	0.0011	0.0001	-0.0092
RohnBbS	0.0000	0.0000	-1.1580	0.0000	0.0000	1.1580	0.0009	0.0001	-0.0090
RohnBcS	0.0000	0.0000	-0.2170	0.0000	0.0000	0.2170	0.0009	0.0001	-0.0089
RohnCaS	0.0000	0.0000	-0.9577	0.0000	0.0000	0.9577	0.0007	0.0001	-0.0085
RohnCbS	0.0000	0.0000	-1.7228	0.0000	0.0000	1.7228	0.0006	0.0001	-0.0082
RohnDaS	0.0000	0.0000	-1.5191	0.0000	0.0000	1.5191	0.0005	0.0001	-0.0074
RohnDbS	0.0000	0.0000	-0.3257	0.0000	0.0000	0.3257	0.0005	0.0001	-0.0069
RohnEaS	0.0000	0.0000	-0.4437	0.0000	0.0000	0.4437	0.0003	0.0001	-0.0060
RohnEbS	0.0000	0.0000	-0.4437	0.0000	0.0000	0.4437	0.0002	0.0001	-0.0056
RohnFaS	0.0000	0.0000	-0.5999	0.0000	0.0000	0.5999	0.0004	0.0000	-0.0045
RohnGaS	0.0000	0.0000	-0.6702	0.0000	0.0000	0.6702	0.0004	0.0000	-0.0033
RohnHaS	0.0000	0.0000	-0.7135	0.0000	0.0000	0.7135	0.0004	0.0000	-0.0020
RohnIaS	0.0000	0.0000	-0.8390	0.0000	0.0000	0.8390	0.0003	-0.0000	-0.0007
SNB-AaS	0.0000	0.0000	-0.1863	0.0000	0.0000	0.1863	0.0016	0.0002	-0.0045
SNB-AbS	0.0000	0.0000	-0.1863	0.0000	0.0000	0.1863	0.0014	0.0002	-0.0045
SNB-AcS	0.0000	0.0000	-0.1863	0.0000	0.0000	0.1863	0.0013	0.0002	-0.0044
SNB-BaS	0.0000	0.0000	-0.2170	0.0000	0.0000	0.2170	0.0011	0.0001	-0.0043
SNB-BbS	0.0000	0.0000	-0.2170	0.0000	0.0000	0.2170	0.0009	0.0001	-0.0043
SNB-BcS	0.0000	0.0000	-0.2170	0.0000	0.0000	0.2170	0.0009	0.0001	-0.0042
SNB-CaS	0.0000	0.0000	-0.2951	0.0000	0.0000	0.2951	0.0007	0.0001	-0.0041
SNB-CbS	0.0000	0.0000	-0.2951	0.0000	0.0000	0.2951	0.0006	0.0001	-0.0039
SNB-DaS	0.0000	0.0000	-0.3257	0.0000	0.0000	0.3257	0.0005	0.0001	-0.0036
SNB-DbS	0.0000	0.0000	-0.3257	0.0000	0.0000	0.3257	0.0005	0.0001	-0.0034
SNB-EaS	0.0000	0.0000	-0.4437	0.0000	0.0000	0.4437	0.0003	0.0001	-0.0031
SNB-EbS	0.0000	0.0000	-0.4437	0.0000	0.0000	0.4437	0.0002	0.0001	-0.0029
SNB-FaS	0.0000	0.0000	-0.5999	0.0000	0.0000	0.5999	0.0004	0.0000	-0.0025
SNB-GaS	0.0000	0.0000	-0.6702	0.0000	0.0000	0.6702	0.0004	0.0000	-0.0018
SNB-HaS	0.0000	0.0000	-0.7135	0.0000	0.0000	0.7135	0.0004	0.0000	-0.0011
SNB-IaS	0.0000	0.0000	-0.8390	0.0000	0.0000	0.8390	0.0003	-0.0000	-0.0004
SNB-WL-A1S	0.0000	0.0000	-0.1863	0.0000	0.0000	0.1863	0.0017	0.0002	-0.0046
SNB-WL-A2S	0.0000	0.0000	-0.1863	0.0000	0.0000	0.1863	0.0017	0.0002	-0.0046
SNB-WL-A3S	0.0000	0.0000	-0.1863	0.0000	0.0000	0.1863	0.0017	0.0002	-0.0046
SNB-WL-B1S	0.0000	0.0000	-0.1863	0.0000	0.0000	0.1863	0.0012	0.0001	-0.0046
SNB-WL-B2S	0.0000	0.0000	-0.1863	0.0000	0.0000	0.1863	0.0012	0.0001	-0.0045
SNB-WL-B3S	0.0000	0.0000	-0.1863	0.0000	0.0000	0.1863	0.0012	0.0001	-0.0046
SNB-WL-C1S	0.0000	0.0000	-0.2170	0.0000	0.0000	0.2170	0.0007	0.0001	-0.0046
SNB-WL-C2S	0.0000	0.0000	-0.2170	0.0000	0.0000	0.2170	0.0007	0.0001	-0.0046
SNB-WL-C3S	0.0000	0.0000	-0.2170	0.0000	0.0000	0.2170	0.0007	0.0001	-0.0046
SNB-WL-D1S	0.0000	0.0000	-0.2951	0.0000	0.0000	0.2951	0.0004	0.0001	-0.0049
SNB-WL-D2S	0.0000	0.0000	-0.2951	0.0000	0.0000	0.2951	0.0004	0.0001	-0.0048
SNB-WL-D3S	0.0000	0.0000	-0.2951	0.0000	0.0000	0.2951	0.0004	0.0001	-0.0049
SNB-WL-E1S	0.0000	0.0000	-0.3257	0.0000	0.0000	0.3257	0.0003	0.0001	-0.0039
SNB-WL-E2S	0.0000	0.0000	-0.3257	0.0000	0.0000	0.3257	0.0003	0.0001	-0.0039
SNB-WL-E3S	0.0000	0.0000	-0.3257	0.0000	0.0000	0.3257	0.0003	0.0001	-0.0039
SNB-WL-F1S	0.0000	0.0000	-0.4437	0.0000	0.0000	0.4437	0.0001	0.0001	-0.0042
SNB-WL-F2S	0.0000	0.0000	-0.4437	0.0000	0.0000	0.4437	0.0001	0.0001	-0.0042
SNB-WL-F3S	0.0000	0.0000	-0.4437	0.0000	0.0000	0.4437	0.0001	0.0001	-0.0042
SNB-WL-G1S	0.0000	0.0000	-0.5999	0.0000	0.0000	0.5999	0.0001	0.0000	-0.0049
SNB-WL-G2S	0.0000	0.0000	-0.5999	0.0000	0.0000	0.5999	0.0001	0.0000	-0.0049
SNB-WL-G3S	0.0000	0.0000	-0.5999	0.0000	0.0000	0.5999	0.0001	0.0000	-0.0049
SNB-WL-H1S	0.0000	0.0000	-0.6702	0.0000	0.0000	0.6702	0.0000	0.0000	-0.0055
SNB-WL-H2S	0.0000	0.0000	-0.6702	0.0000	0.0000	0.6702	0.0000	0.0000	-0.0055
SNB-WL-H3S	0.0000	0.0000	-0.6702	0.0000	0.0000	0.6702	0.0000	0.0000	-0.0055
SNB-WL-I1S	0.0000	0.0000	-0.7135	0.0000	0.0000	0.7135	0.0000	0.0000	-0.0061
SNB-WL-I2S	0.0000	0.0000	-0.7135	0.0000	0.0000	0.7135	0.0000	0.0000	-0.0061
SNB-WL-I3S	0.0000	0.0000	-0.7135	0.0000	-0.0000	0.7135	0.0000	0.0000	-0.0061
RohnAa1	0.0000	0.0000	-0.2745	0.0000	0.0000	0.2745	0.0016	0.0001	-0.0092
RohnAa2	0.0000	0.0000	-0.3021	0.0000	0.0000	0.3021	0.0016	0.0002	-0.0092
RohnAb1	0.0000	0.0000	-0.3303	0.0000	0.0000	0.3303	0.0014	0.0002	-0.0092
RohnAb2	0.0000	0.0000	-0.1863	0.0000	0.0000	0.1863	0.0014	0.0002	-0.0092
RohnAc1	0.0000	0.0000	-0.1863	0.0000	0.0000	0.1863	0.0013	0.0001	-0.0091
RohnAc2	0.0000	0.0000	-0.1863	0.0000	0.0000	0.1863	0.0013	0.0002	-0.0091
RohnBa1	0.0000	0.0000	-0.2170	0.0000	0.0000	0.2170	0.0010	0.0001	-0.0089
RohnBa2	0.0000	0.0000	-0.2170	0.0000	0.0000	0.2170	0.0010	0.0002	-0.0089
RohnBb1	0.0000	0.0000	-1.1256	0.0000	0.0000	1.1256	0.0009	0.0001	-0.0088
RohnBb2	0.0000	0.0000	-1.1256	0.0000	0.0000	1.1256	0.0009	0.0001	-0.0089
RohnBc1	0.0000	0.0000	-0.2170	0.0000	0.0000	0.2170	0.0008	0.0001	-0.0087
RohnBc2	0.0000	0.0000	-0.2170	0.0000	0.0000	0.2170	0.0008	0.0002	-0.0087
RohnCa1	0.0000	0.0000	-1.0297	0.0000	0.0000	1.0297	0.0006	0.0001	-0.0083

RohnCa2	0.0000	0.0000	-1.0777	0.0000	0.0000	1.0777	0.0006	0.0002	-0.0083
RohnCb1	0.0000	0.0000	-1.6028	0.0000	0.0000	1.6028	0.0005	0.0000	-0.0080
RohnCb2	0.0000	0.0000	-1.6028	0.0000	0.0000	1.6028	0.0005	0.0002	-0.0080
RohnDa1	0.0000	0.0000	-1.3931	0.0000	0.0000	1.3931	0.0003	-0.0000	-0.0073
RohnDa2	0.0000	0.0000	-1.3931	0.0000	0.0000	1.3931	0.0003	0.0002	-0.0073
RohnDb1	0.0000	0.0000	-0.3257	0.0000	0.0000	0.3257	0.0002	-0.0000	-0.0068
RohnDb2	0.0000	0.0000	-0.3257	0.0000	0.0000	0.3257	0.0002	0.0002	-0.0068
RohnEa1	0.0000	0.0000	-0.4437	0.0000	0.0000	0.4437	0.0002	-0.0000	-0.0059
RohnEa2	0.0000	0.0000	-0.4437	0.0000	0.0000	0.4437	0.0002	0.0002	-0.0059
RohnEb1	0.0000	0.0000	-0.4437	0.0000	0.0000	0.4437	0.0001	0.0000	-0.0055
RohnEb2	0.0000	0.0000	-0.4437	0.0000	0.0000	0.4437	0.0001	0.0001	-0.0055
RohnFa1	0.0000	0.0000	-0.5999	0.0000	0.0000	0.5999	-0.0001	-0.0002	-0.0045
RohnFa2	0.0000	0.0000	-0.5999	0.0000	0.0000	0.5999	-0.0001	0.0003	-0.0045
RohnGa1	0.0000	0.0000	-0.6702	0.0000	0.0000	0.6702	-0.0001	-0.0002	-0.0033
RohnGa2	0.0000	0.0000	-0.6702	0.0000	0.0000	0.6702	-0.0001	0.0003	-0.0033
RohnHa1	0.0000	0.0000	-0.7135	0.0000	0.0000	0.7135	-0.0002	-0.0003	-0.0020
RohnHa2	0.0000	0.0000	-0.7135	0.0000	0.0000	0.7135	-0.0002	0.0003	-0.0020
RohnIa1	0.0000	0.0000	-0.8390	0.0000	0.0000	0.8390	-0.0001	-0.0003	-0.0006
RohnIa2	0.0000	0.0000	-0.8390	0.0000	0.0000	0.8390	-0.0001	0.0003	-0.0006
SNB-Aa1	0.0000	0.0000	-0.1863	0.0000	0.0000	0.1863	0.0016	0.0001	-0.0044
SNB-Aa2	0.0000	0.0000	-0.1863	0.0000	0.0000	0.1863	0.0016	0.0002	-0.0044
SNB-Ab1	0.0000	0.0000	-0.1863	0.0000	0.0000	0.1863	0.0014	0.0002	-0.0044
SNB-Ab2	0.0000	0.0000	-0.1863	0.0000	0.0000	0.1863	0.0014	0.0002	-0.0044
SNB-Ac1	0.0000	0.0000	-0.1863	0.0000	0.0000	0.1863	0.0013	0.0001	-0.0043
SNB-Ac2	0.0000	0.0000	-0.1863	0.0000	0.0000	0.1863	0.0013	0.0002	-0.0043
SNB-Ba1	0.0000	0.0000	-0.2170	0.0000	0.0000	0.2170	0.0010	0.0001	-0.0042
SNB-Ba2	0.0000	0.0000	-0.2170	0.0000	0.0000	0.2170	0.0010	0.0002	-0.0042
SNB-Bb1	0.0000	0.0000	-0.2170	0.0000	0.0000	0.2170	0.0009	0.0001	-0.0042
SNB-Bb2	0.0000	0.0000	-0.2170	0.0000	0.0000	0.2170	0.0009	0.0002	-0.0042
SNB-Bc1	0.0000	0.0000	-0.2170	0.0000	0.0000	0.2170	0.0008	0.0001	-0.0041
SNB-Bc2	0.0000	0.0000	-0.2170	0.0000	0.0000	0.2170	0.0008	0.0002	-0.0041
SNB-Ca1	0.0000	0.0000	-0.2951	0.0000	0.0000	0.2951	0.0006	0.0001	-0.0040
SNB-Ca2	0.0000	0.0000	-0.2951	0.0000	0.0000	0.2951	0.0006	0.0002	-0.0040
SNB-Cb1	0.0000	0.0000	-0.2951	0.0000	0.0000	0.2951	0.0005	0.0000	-0.0038
SNB-Cb2	0.0000	0.0000	-0.2951	0.0000	0.0000	0.2951	0.0005	0.0002	-0.0038
SNB-Da1	0.0000	0.0000	-0.3257	0.0000	0.0000	0.3257	0.0003	-0.0000	-0.0035
SNB-Da2	0.0000	0.0000	-0.3257	0.0000	0.0000	0.3257	0.0003	0.0002	-0.0035
SNB-Db1	0.0000	0.0000	-0.3257	0.0000	0.0000	0.3257	0.0002	-0.0000	-0.0033
SNB-Db2	0.0000	0.0000	-0.3257	0.0000	0.0000	0.3257	0.0002	0.0002	-0.0033
SNB-Ea1	0.0000	0.0000	-0.4437	0.0000	0.0000	0.4437	0.0002	-0.0000	-0.0030
SNB-Ea2	0.0000	0.0000	-0.4437	0.0000	0.0000	0.4437	0.0002	0.0002	-0.0030
SNB-Eb1	0.0000	0.0000	-0.4437	0.0000	0.0000	0.4437	0.0001	0.0000	-0.0028
SNB-Eb2	0.0000	0.0000	-0.4437	0.0000	0.0000	0.4437	0.0001	0.0001	-0.0029
SNB-Fa1	0.0000	0.0000	-0.5999	0.0000	0.0000	0.5999	-0.0001	-0.0002	-0.0024
SNB-Fa2	0.0000	0.0000	-0.5999	0.0000	0.0000	0.5999	-0.0001	0.0003	-0.0024
SNB-Ga1	0.0000	0.0000	-0.6702	0.0000	0.0000	0.6702	-0.0001	-0.0002	-0.0018
SNB-Ga2	0.0000	0.0000	-0.6702	0.0000	0.0000	0.6702	-0.0001	0.0003	-0.0018
SNB-Ha1	0.0000	0.0000	-0.7135	0.0000	0.0000	0.7135	-0.0002	-0.0003	-0.0011
SNB-Ha2	0.0000	0.0000	-0.7135	0.0000	0.0000	0.7135	-0.0002	0.0003	-0.0011
SNB-Ia1	0.0000	0.0000	-0.8390	0.0000	-0.0000	0.8390	-0.0001	-0.0003	-0.0004
SNB-Ia2	0.0000	0.0000	-0.8390	0.0000	0.0000	0.8390	-0.0001	0.0003	-0.0004

Moments for Angles Modeled as Beams:

Angle Label	Torsion (ft-lbs)	Origin X Moment (ft-lbs)	Origin Y Moment (ft-lbs)	End X Moment (ft-lbs)	End Y Moment (ft-lbs)	X Shear (lbs)	Y Shear (lbs)
Rohn-LA1P	0.00	0.00	-0.11	-0.55	-3.60	-0.11	-0.74
Rohn-LA11	0.00	-0.08	0.05	-3.33	1.42	-0.68	0.29
Rohn-LA12	-0.00	0.17	0.10	2.94	1.82	0.62	0.38
Rohn-LA2P	0.00	0.54	3.60	0.13	5.06	0.13	1.73
Rohn-LA21	0.00	3.33	-1.42	4.53	-2.37	1.57	-0.76
Rohn-LA22	-0.00	-2.94	-1.82	-4.50	-2.50	-1.49	-0.86
Rohn-LA3P	0.00	-0.13	-5.06	0.03	-6.77	-0.02	-2.36
Rohn-LA31	0.00	-4.53	2.37	-5.98	2.99	-2.10	1.07
Rohn-LA32	-0.00	4.50	2.50	5.94	2.93	2.09	1.09
Rohn-LA4P	0.00	-0.03	6.77	-0.07	9.61	-0.02	3.27
Rohn-LA41	0.00	5.98	-2.98	7.79	-4.48	2.75	-1.49

Rohn-LA42	-0.00	-5.94	-2.93	-7.80	-4.41	-2.75	-1.47
Rohn-LB1P	0.00	0.07	-9.85	0.14	-11.76	0.04	-4.32
Rohn-LB11	0.01	-7.82	4.46	-9.71	7.45	-3.50	2.38
Rohn-LB12	-0.01	7.80	4.38	9.79	7.34	3.52	2.34
Rohn-LB2P	0.00	-0.14	11.76	-0.02	13.56	-0.03	5.06
Rohn-LB21	0.01	9.71	-7.45	10.70	-6.53	4.08	-2.79
Rohn-LB22	-0.01	-9.79	-7.34	-10.66	-6.49	-4.09	-2.76
Rohn-LB3P	0.00	0.02	-13.56	0.02	-13.30	0.01	-5.37
Rohn-LB31	0.01	-10.70	6.54	-11.46	7.55	-4.43	2.82
Rohn-LB32	-0.01	10.66	6.49	11.50	7.55	4.43	2.81
Rohn-LB4P	0.00	-0.02	13.31	0.04	13.88	0.00	5.43
Rohn-LB41	0.01	11.46	-7.55	11.28	-6.35	4.54	-2.78
Rohn-LB42	-0.01	-11.50	-7.55	-11.21	-6.36	-4.54	-2.78
Rohn-LC1P	0.00	-0.04	-13.88	0.08	-3.60	0.01	-2.62
Rohn-LC11	0.01	-11.28	6.35	-3.26	2.74	-2.18	1.36
Rohn-LC12	-0.01	11.21	6.36	3.29	2.67	2.18	1.35
Rohn-LC2P	0.00	-0.08	3.60	-0.15	-11.11	-0.03	-1.12
Rohn-LC21	0.01	3.26	-2.74	-10.19	5.96	-1.04	0.48
Rohn-LC22	-0.01	-3.29	-2.67	10.10	6.07	1.02	0.51
Rohn-LC3P	0.00	0.14	11.11	0.07	22.89	0.03	5.10
Rohn-LC31	0.01	10.19	-5.96	19.41	-10.32	4.44	-2.44
Rohn-LC32	-0.01	-10.10	-6.07	-19.27	-10.31	-4.41	-2.46
Rohn-LD1P	0.00	-0.07	-22.89	0.22	-9.23	0.02	-4.82
Rohn-LD11	0.01	-19.41	10.32	-8.80	5.56	-4.23	2.38
Rohn-LD12	-0.01	19.27	10.31	8.97	5.41	4.24	2.36
Rohn-LD2P	0.00	-0.22	9.23	-0.03	-21.98	-0.04	-1.91
Rohn-LD21	0.01	8.80	-5.55	-19.17	12.47	-1.55	1.03
Rohn-LD22	-0.01	-8.97	-5.40	19.31	12.58	1.55	1.07
Rohn-LD3P	0.00	0.03	21.98	0.12	38.90	0.02	9.13
Rohn-LD31	0.01	19.17	-12.47	32.70	-18.62	7.78	-4.66
Rohn-LD32	-0.01	-19.31	-12.58	-32.61	-18.70	-7.79	-4.69
Rohn-LE1P	0.00	-0.12	-38.90	-0.03	-22.45	-0.02	-9.20
Rohn-LE11	0.01	-32.70	18.62	-19.69	12.01	-7.86	4.60
Rohn-LE12	-0.01	32.61	18.71	19.73	12.07	7.85	4.62
Rohn-LE2P	0.00	0.03	22.45	0.05	-14.65	0.01	1.17
Rohn-LE21	0.01	19.69	-12.01	-12.88	8.12	1.02	-0.58
Rohn-LE22	-0.01	-19.73	-12.07	13.04	8.16	-1.00	-0.59
Rohn-LE3P	0.00	-0.05	14.65	0.20	69.10	0.02	12.57
Rohn-LE31	0.01	12.88	-8.12	58.83	-33.81	10.76	-6.29
Rohn-LE32	-0.01	-13.04	-8.15	-59.01	-34.15	-10.81	-6.35
Rohn-LF1P	0.00	-0.20	-69.10	-0.62	-112.44	-0.08	-18.14
Rohn-LF11	0.01	-58.83	33.81	-97.28	57.10	-15.60	9.08
Rohn-LF12	-0.01	59.01	34.15	96.99	57.65	15.59	9.17
Rohn-LF2P	0.00	0.62	112.44	0.35	129.61	0.10	24.19
Rohn-LF21	0.01	97.28	-57.10	110.84	-64.08	20.80	-12.11
Rohn-LF22	-0.01	-96.99	-57.65	-111.18	-64.68	-20.80	-12.22
Rohn-LG1P	0.00	-0.35	-129.61	-0.77	-138.02	-0.11	-26.74
Rohn-LG11	0.01	-110.84	64.08	-119.39	69.67	-23.01	13.37
Rohn-LG12	-0.01	111.18	64.68	118.95	70.30	23.00	13.49
Rohn-LG2P	0.00	0.77	138.02	0.24	149.42	0.10	28.72
Rohn-LG21	0.01	119.39	-69.67	128.20	-74.16	24.74	-14.37
Rohn-LG22	-0.01	-118.95	-70.30	-128.56	-74.64	-24.73	-14.48
Rohn-LH1P	0.00	-0.24	-149.42	-0.44	-163.69	-0.07	-31.29
Rohn-LH11	0.01	-128.20	74.16	-141.56	82.45	-26.96	15.65
Rohn-LH12	-0.01	128.56	74.64	141.29	82.80	26.97	15.73
Rohn-LH2P	0.00	0.44	163.69	0.08	198.35	0.05	36.18
Rohn-LH21	0.01	141.56	-82.45	170.52	-98.68	31.19	-18.10
Rohn-LH22	-0.01	-141.29	-82.80	-170.98	-99.03	-31.20	-18.17
Rohn-LI1P	0.00	-0.08	-198.35	-0.78	-269.84	-0.09	-46.79
Rohn-LI11	0.01	-170.52	98.68	-233.68	136.18	-40.39	23.47
Rohn-LI12	-0.01	170.98	99.03	233.05	136.72	40.37	23.56
Rohn-LI2P	0.00	0.78	269.84	0.54	275.29	0.13	54.47
Rohn-LI21	0.01	233.68	-136.18	237.31	-137.83	47.06	-27.38
Rohn-LI22	-0.01	-233.05	-136.72	-237.35	-138.47	-47.01	-27.50
Rohn-H1P	-0.00	-0.08	-0.00	0.07	-0.00	-0.00	-0.00
Rohn-H11	0.01	-0.05	0.00	0.11	0.00	0.01	0.00
Rohn-H12	-0.00	-0.11	-0.00	0.06	-0.00	-0.01	-0.00
Rohn-H2P	-0.01	-0.13	-0.00	-0.03	-0.01	-0.02	-0.00
Rohn-H21	-0.00	-0.04	-0.00	0.03	0.00	-0.00	-0.00

Rohn-H22	0.01	0.04	0.01	0.14	0.00	0.02	0.00
SNB-LA1P	-0.00	-0.07	75.05	-0.05	14.16	-0.02	17.83
SNB-LA11	0.00	64.89	-37.51	12.23	-7.11	15.41	-8.92
SNB-LA12	-0.00	-65.22	-37.63	-12.53	-7.22	-15.54	-8.96
SNB-LA2P	-0.00	0.05	-14.16	-0.12	5.23	-0.02	-1.78
SNB-LA21	0.00	-12.23	7.11	4.35	-2.91	-1.58	0.84
SNB-LA22	-0.00	12.53	7.22	-4.45	-2.83	1.61	0.88
SNB-LA3P	-0.00	0.12	-5.23	-0.01	-21.64	0.02	-5.37
SNB-LA31	0.00	-4.35	2.91	-18.23	11.07	-4.51	2.79
SNB-LA32	-0.00	4.45	2.83	18.14	11.03	4.51	2.77
SNB-LA4P	-0.00	0.01	21.64	0.03	64.83	0.01	17.28
SNB-LA41	0.00	18.23	-11.07	54.76	-31.77	14.59	-8.56
SNB-LA42	-0.00	-18.14	-11.03	-54.63	-31.72	-14.54	-8.54
SNB-LB1P	-0.00	0.04	109.77	0.06	7.10	0.02	23.35
SNB-LB11	0.03	94.99	-54.07	5.75	-1.38	20.13	-11.08
SNB-LB12	-0.03	-94.83	-54.03	-5.61	-1.38	-20.07	-11.07
SNB-LB2P	-0.00	-0.06	-7.09	0.04	29.66	-0.00	4.51
SNB-LB21	0.03	-5.75	1.38	24.12	-13.60	3.67	-2.44
SNB-LB22	-0.03	5.61	1.38	-24.00	-13.58	-3.68	-2.44
SNB-LB3P	-0.00	-0.04	-29.66	0.08	-65.30	0.01	-18.98
SNB-LB31	0.03	-24.12	13.60	-56.54	34.70	-16.12	9.65
SNB-LB32	-0.03	24.00	13.58	56.66	34.67	16.12	9.64
SNB-LB4P	-0.00	-0.08	65.30	-0.01	178.87	-0.02	48.80
SNB-LB41	0.03	56.54	-34.70	153.41	-88.96	41.96	-24.71
SNB-LB42	-0.03	-56.66	-34.67	-153.35	-88.92	-41.97	-24.70
SNB-LC1P	-0.00	0.00	100.86	0.02	38.65	0.00	20.93
SNB-LC11	0.02	88.87	-51.06	33.42	-17.94	18.35	-10.35
SNB-LC12	-0.02	-88.97	-51.11	-33.41	-17.96	-18.36	-10.36
SNB-LC2P	-0.00	-0.02	-38.65	0.04	-71.71	0.00	-16.51
SNB-LC21	0.02	-33.42	17.94	-62.52	37.06	-14.35	8.23
SNB-LC22	-0.02	33.41	17.96	62.52	37.01	14.35	8.22
SNB-LC3P	-0.00	-0.04	71.71	-0.01	214.19	-0.01	42.90
SNB-LC31	0.02	62.52	-37.06	184.33	-106.65	37.04	-21.56
SNB-LC32	-0.02	-62.52	-37.01	-184.18	-106.55	-37.01	-21.54
SNB-LD1P	-0.00	0.03	252.32	0.17	73.48	0.03	48.88
SNB-LD11	0.02	219.78	-126.82	63.05	-34.62	42.44	-24.22
SNB-LD12	-0.02	-219.86	-126.90	-62.87	-34.71	-42.42	-24.25
SNB-LD2P	-0.00	-0.17	-73.48	0.08	-97.20	-0.01	-25.53
SNB-LD21	0.02	-63.05	34.62	-84.38	50.44	-22.06	12.73
SNB-LD22	-0.02	62.87	34.71	84.64	50.50	22.07	12.75
SNB-LD3P	-0.00	-0.08	97.20	0.04	238.63	-0.01	50.39
SNB-LD31	0.02	84.38	-50.44	204.74	-118.42	43.38	-25.34
SNB-LD32	-0.02	-84.64	-50.50	-204.72	-118.45	-43.42	-25.35
SNB-LE1P	-0.00	-0.09	361.80	0.21	100.78	0.02	69.40
SNB-LE11	0.03	315.24	-182.10	86.75	-47.80	60.31	-34.49
SNB-LE12	-0.03	-315.50	-182.14	-86.55	-47.93	-60.32	-34.52
SNB-LE2P	-0.00	-0.21	-100.78	-0.11	-217.89	-0.05	-47.67
SNB-LE21	0.03	-86.75	47.80	-189.30	111.12	-41.29	23.77
SNB-LE22	-0.03	86.55	47.93	189.60	111.42	41.31	23.84
SNB-LE3P	-0.00	0.11	217.89	0.11	753.55	0.03	145.75
SNB-LE31	0.03	189.30	-111.12	650.19	-376.47	125.95	-73.16
SNB-LE32	-0.03	-189.60	-111.42	-650.87	-376.99	-126.10	-73.28
SNB-LF1P	0.01	-0.23	193.53	-0.57	-227.48	-0.08	-3.39
SNB-LF11	0.02	170.12	-97.61	-195.94	115.98	-2.58	1.84
SNB-LF12	-0.02	-169.90	-97.23	195.71	116.51	2.58	1.93
SNB-LF2P	0.01	0.57	227.48	0.15	729.27	0.07	95.60
SNB-LF21	0.02	195.94	-115.98	628.23	-364.52	82.36	-48.01
SNB-LF22	-0.02	-195.71	-116.51	-629.13	-365.23	-82.42	-48.14
SNB-LG1P	0.02	-0.21	749.04	-1.35	-332.75	-0.16	41.60
SNB-LG11	0.02	652.05	-375.30	-287.41	169.52	36.44	-20.56
SNB-LG12	-0.04	-651.28	-374.62	286.41	170.51	-36.46	-20.40
SNB-LG2P	0.02	1.35	332.75	0.39	1322.45	0.17	165.40
SNB-LG21	0.02	287.41	-169.52	1141.41	-660.98	142.78	-82.99
SNB-LG22	-0.04	-286.41	-170.50	-1142.50	-662.06	-142.79	-83.20
SNB-LH1P	0.01	-0.40	562.74	-1.43	-367.42	-0.18	19.52
SNB-LH11	0.01	491.02	-282.29	-317.34	186.08	17.36	-9.61
SNB-LH12	-0.03	-489.96	-281.21	316.44	187.22	-17.34	-9.39
SNB-LH2P	0.01	1.43	367.42	0.54	1179.70	0.20	154.60
SNB-LH21	0.01	317.34	-186.07	1017.89	-589.35	133.43	-77.49

SNB-LH22	-0.03	-316.44	-187.21	-1018.94	-590.58	-133.44	-77.72
SNB-LI1P	0.01	-0.53	1065.38	-2.03	-231.06	-0.26	83.37
SNB-LI11	0.01	926.24	-533.99	-199.82	118.77	72.59	-41.49
SNB-LI12	-0.01	-925.12	-532.73	198.26	120.21	-72.63	-41.22
SNB-LI2P	0.01	2.03	231.06	1.14	475.68	0.32	70.62
SNB-LI21	0.01	199.82	-118.77	409.05	-238.32	60.84	-35.68
SNB-LI22	-0.01	-198.26	-120.21	-409.32	-239.79	-60.71	-35.97
SNB-H1aP	-0.01	43.40	-0.08	144.88	-0.04	93.19	-0.06
SNB-H1bP	-0.01	-144.88	0.04	-43.30	0.07	-93.14	0.06
SNB-H1cP	-0.00	43.25	-0.08	144.85	-0.07	93.10	-0.07
SNB-H1dP	0.00	-144.85	0.07	-43.51	0.07	-93.23	0.07
SNB-H1eP	0.01	43.43	-0.07	144.88	-0.09	93.20	-0.08
SNB-H1fP	0.01	-144.88	0.09	-43.27	0.08	-93.12	0.08
SNB-H2aP	-0.05	100.77	0.26	151.87	0.27	93.47	0.20
SNB-H2bP	-0.05	-151.87	-0.27	-99.10	-0.29	-92.85	-0.21
SNB-H2cP	-0.00	100.18	0.24	151.74	0.26	93.20	0.18
SNB-H2dP	-0.00	-151.74	-0.26	-99.95	-0.24	-93.12	-0.18
SNB-H2eP	0.06	98.99	0.28	151.86	0.26	92.81	0.20
SNB-H2fP	0.06	-151.86	-0.26	-100.90	-0.26	-93.51	-0.19
SNB-H3aP	-0.00	161.51	1.41	205.59	1.39	108.47	0.83
SNB-H3bP	-0.00	-205.59	-1.39	-161.59	-1.41	-108.49	-0.83
SNB-H3cP	-0.00	161.54	1.42	205.59	1.46	108.48	0.85
SNB-H3dP	-0.00	-205.59	-1.46	-161.57	-1.42	-108.49	-0.85
SNB-H3eP	0.00	161.61	1.41	205.59	1.39	108.50	0.83
SNB-H3fP	0.00	-205.59	-1.39	-161.49	-1.42	-108.46	-0.83
SNB-H4aP	-0.01	269.33	2.65	330.09	2.63	147.42	1.30
SNB-H4bP	-0.01	-330.09	-2.63	-269.44	-2.65	-147.45	-1.30
SNB-H4cP	-0.00	269.46	2.65	330.06	2.71	147.45	1.32
SNB-H4dP	-0.00	-330.06	-2.71	-269.40	-2.65	-147.43	-1.32
SNB-H4eP	0.02	269.41	2.65	330.09	2.63	147.44	1.30
SNB-H4fP	0.02	-330.09	-2.63	-269.36	-2.65	-147.43	-1.30
SNB-H5aP	-0.00	346.71	3.73	425.98	3.71	162.79	1.57
SNB-H5bP	-0.00	-425.98	-3.71	-346.81	-3.73	-162.81	-1.57
SNB-H5cP	0.00	346.68	3.73	425.97	3.79	162.78	1.58
SNB-H5dP	0.00	-425.97	-3.79	-346.87	-3.73	-162.82	-1.58
SNB-H5eP	0.00	346.90	3.73	425.98	3.71	162.83	1.57
SNB-H5fP	0.00	-425.98	-3.71	-346.61	-3.73	-162.76	-1.57
SNB-H6aP	-0.03	546.92	3.76	656.57	3.75	221.71	1.38
SNB-H6bP	-0.03	-656.57	-3.75	-547.11	-3.76	-221.74	-1.38
SNB-H6cP	0.01	546.88	3.77	656.52	3.82	221.69	1.40
SNB-H6dP	0.01	-656.52	-3.82	-547.27	-3.77	-221.76	-1.40
SNB-H6eP	0.02	547.29	3.76	656.59	3.75	221.78	1.38
SNB-H6fP	0.02	-656.59	-3.75	-546.70	-3.77	-221.67	-1.39
SNB-H7aP	-0.02	853.55	0.95	978.72	0.96	299.89	0.31
SNB-H7bP	-0.02	-978.72	-0.96	-853.78	-0.96	-299.93	-0.31
SNB-H7cP	0.01	853.62	0.96	978.72	0.99	299.90	0.32
SNB-H7dP	0.01	-978.72	-0.99	-853.75	-0.95	-299.92	-0.32
SNB-H7eP	0.01	853.82	0.97	978.75	0.96	299.94	0.32
SNB-H7fP	0.01	-978.75	-0.96	-853.47	-0.96	-299.88	-0.31
SNB-H8aP	0.00	1088.42	1.05	1186.45	1.05	335.01	0.31
SNB-H8bP	0.00	-1186.45	-1.05	-1088.56	-1.05	-335.03	-0.31
SNB-H8cP	0.00	1088.47	1.05	1186.46	1.08	335.02	0.31
SNB-H8dP	0.00	-1186.46	-1.08	-1088.50	-1.05	-335.02	-0.31
SNB-H8eP	-0.01	1088.57	1.04	1186.45	1.04	335.03	0.31
SNB-H8fP	-0.01	-1186.45	-1.04	-1088.40	-1.05	-335.00	-0.31
SNB-H9aP	-0.00	1296.19	0.75	1368.60	0.75	356.63	0.20
SNB-H9bP	-0.00	-1368.60	-0.75	-1296.37	-0.75	-356.66	-0.20
SNB-H9cP	0.00	1296.32	0.76	1368.60	0.77	356.65	0.20
SNB-H9dP	0.00	-1368.60	-0.77	-1296.26	-0.76	-356.64	-0.20
SNB-H9eP	0.00	1296.34	0.74	1368.60	0.74	356.65	0.20
SNB-H9fP	0.00	-1368.60	-0.74	-1296.21	-0.75	-356.64	-0.20

Equilibrium Joint Positions and Rotations for Load Case "0.9DL":

Joint Label	X-Displ (ft)	Y-Displ (ft)	Z-Displ (ft)	X-Rot (deg)	Y-Rot (deg)	Z-Rot (deg)	X-Pos (ft)	Y-Pos (ft)	Z-Pos (ft)
RohnAP	0.001265	0.0001264	-0.00706	-0.0001	0.0007	0.0000	4.334	0.0001264	180
RohnBP	0.0008772	0.0001121	-0.006952	-0.0000	0.0008	0.0000	5.122	0.0001121	160
RohnCP	0.0005573	0.0001022	-0.006523	-0.0000	0.0007	0.0000	5.91	0.0001022	140
RohnDP	0.0003408	8.755e-005	-0.005869	-0.0000	0.0002	-0.0000	6.695	8.755e-005	120
RohnEP	0.0001944	6.92e-005	-0.004796	-0.0001	0.0002	-0.0000	7.481	6.92e-005	100
RohnFP	0.0001133	4.558e-005	-0.003869	-0.0001	-0.0010	-0.0000	8.268	4.558e-005	80
RohnGP	5.312e-005	2.337e-005	-0.002948	-0.0001	-0.0002	-0.0000	9.055	2.337e-005	60
RohnHP	2.337e-005	8.745e-006	-0.002027	-0.0000	-0.0002	-0.0000	9.841	8.745e-006	40
RohnIP	7.339e-006	1.385e-006	-0.0009708	-0.0000	-0.0008	-0.0000	10.63	1.385e-006	20
RohnJP	0	0	0	0.0000	0.0000	0.0000	11.42	0	0
SNB-AP	0.001268	0.0001255	-0.003364	-0.0001	-0.0040	-0.0000	2.334	0.0001255	180
SNB-BP	0.0008806	0.0001121	-0.003294	-0.0000	-0.0024	-0.0000	3.122	0.0001121	160
SNB-CP	0.0005602	0.0001018	-0.003133	-0.0000	-0.0030	-0.0000	3.909	0.0001018	140
SNB-DP	0.000343	8.752e-005	-0.002853	-0.0000	-0.0056	0.0000	4.695	8.752e-005	120
SNB-EP	0.0001958	6.864e-005	-0.002398	-0.0001	-0.0034	-0.0000	5.481	6.864e-005	100
SNB-FP	0.0001141	4.504e-005	-0.002065	-0.0001	-0.0057	-0.0000	6.268	4.504e-005	80
SNB-GP	5.351e-005	2.36e-005	-0.001617	-0.0001	-0.0074	-0.0000	7.055	2.36e-005	60
SNB-HP	2.352e-005	9.159e-006	-0.001144	-0.0000	-0.0065	-0.0000	7.841	9.159e-006	40
SNB-IP	7.336e-006	1.738e-006	-0.0005603	-0.0000	-0.0053	-0.0000	8.628	1.738e-006	20
SNB-JP	0	0	0	0.0000	0.0000	0.0000	9.415	0	0
RohnA1	0.00127	0.0001289	-0.00693	-0.0004	0.0012	-0.0000	-2.165	-3.752	180
RohnA2	0.00127	0.0001226	-0.006947	0.0003	0.0013	0.0000	-2.165	3.753	180
RohnB1	0.0008819	0.0001144	-0.006779	-0.0002	0.0013	-0.0000	-2.56	-4.435	160
RohnB2	0.0008818	0.0001098	-0.00678	0.0002	0.0013	0.0000	-2.56	4.435	160
RohnC1	0.000553	0.0001019	-0.006395	-0.0000	0.0008	-0.0000	-2.954	-5.117	140
RohnC2	0.0005533	0.0001019	-0.006401	-0.0000	0.0008	0.0000	-2.954	5.117	140
RohnD1	0.0003254	8.089e-005	-0.005768	-0.0003	0.0007	-0.0000	-3.347	-5.798	120
RohnD2	0.0003255	9.416e-005	-0.005775	0.0002	0.0007	0.0000	-3.347	5.798	120
RohnE1	0.000182	6.336e-005	-0.004725	-0.0001	0.0003	-0.0000	-3.74	-6.479	100
RohnE2	0.0001824	7.42e-005	-0.00474	0.0000	0.0003	0.0000	-3.74	6.479	100
RohnF1	9.66e-005	3.677e-005	-0.003817	-0.0011	0.0008	0.0000	-4.134	-7.16	80
RohnF2	9.708e-005	5.357e-005	-0.003839	0.0010	0.0008	0.0000	-4.134	7.16	80
RohnG1	4.871e-005	2.142e-005	-0.00291	-0.0003	0.0003	0.0000	-4.527	-7.842	60
RohnG2	4.85e-005	2.568e-005	-0.002929	0.0002	0.0003	0.0000	-4.527	7.842	60
RohnH1	1.696e-005	5.737e-006	-0.002004	-0.0003	0.0002	0.0000	-4.92	-8.523	40
RohnH2	1.655e-005	1.246e-005	-0.002015	0.0002	0.0002	0.0000	-4.92	8.523	40
RohnI1	1.652e-006	-1.198e-006	-0.0009604	-0.0007	0.0004	0.0000	-5.315	-9.206	20
RohnI2	1.298e-006	4.58e-006	-0.0009652	0.0007	0.0004	0.0000	-5.315	9.206	20
RohnJ1	0	0	0	0.0000	0.0000	0.0000	-5.71	-9.89	0
RohnJ2	0	0	0	0.0000	0.0000	0.0000	-5.71	9.89	0
SNB-A1	0.001269	0.0001257	-0.003296	-0.0045	0.0037	0.0000	-1.165	-2.02	180
SNB-A2	0.001268	0.0001254	-0.003299	0.0044	0.0037	0.0000	-1.165	2.021	180
SNB-B1	0.00088	0.0001118	-0.003209	-0.0030	0.0028	-0.0000	-1.56	-2.703	160
SNB-B2	0.00088	0.0001125	-0.003212	0.0030	0.0028	0.0000	-1.56	2.703	160
SNB-C1	0.0005537	9.83e-005	-0.003053	-0.0033	0.0026	-0.0000	-1.953	-3.384	140
SNB-C2	0.0005537	0.0001053	-0.003057	0.0032	0.0026	0.0000	-1.953	3.385	140
SNB-D1	0.000326	7.806e-005	-0.002785	-0.0054	0.0036	-0.0000	-2.347	-4.066	120
SNB-D2	0.000326	9.699e-005	-0.002791	0.0053	0.0036	0.0000	-2.347	4.066	120
SNB-E1	0.0001828	6.133e-005	-0.00235	-0.0033	0.0021	-0.0000	-2.74	-4.747	100
SNB-E2	0.0001828	7.596e-005	-0.00236	0.0031	0.0021	0.0000	-2.74	4.747	100
SNB-F1	9.724e-005	3.553e-005	-0.002027	-0.0051	0.0031	-0.0000	-3.134	-5.428	80
SNB-F2	9.724e-005	5.454e-005	-0.002039	0.0050	0.0031	0.0000	-3.134	5.428	80
SNB-G1	4.87e-005	2.097e-005	-0.00159	-0.0066	0.0039	-0.0000	-3.527	-6.11	60
SNB-G2	4.869e-005	2.625e-005	-0.0016	0.0065	0.0039	0.0000	-3.527	6.11	60
SNB-H1	1.699e-005	5.551e-006	-0.001127	-0.0057	0.0033	-0.0000	-3.92	-6.79	40
SNB-H2	1.694e-005	1.285e-005	-0.001134	0.0056	0.0033	0.0000	-3.92	6.791	40
SNB-I1	1.827e-006	-1.295e-006	-0.0005525	-0.0046	0.0027	-0.0000	-4.314	-7.472	20
SNB-I2	1.779e-006	4.854e-006	-0.0005558	0.0046	0.0027	0.0000	-4.314	7.472	20
SNB-J1	0	0	0	0.0000	0.0000	0.0000	-4.708	-8.154	0
SNB-J2	0	0	0	0.0000	0.0000	0.0000	-4.708	8.154	0

RohnAaS	0.001189	0.0001165	-0.007046	-0.0001	0.0012	0.0000	4.531	0.0001165	175
RohnAbS	0.001076	0.0001152	-0.007024	-0.0000	0.0010	0.0000	4.728	0.0001152	170
RohnAcS	0.001003	0.000114	-0.006992	-0.0000	0.0012	0.0000	4.925	0.000114	165
RohnBaS	0.0008234	0.0001106	-0.006871	-0.0000	0.0010	0.0000	5.319	0.0001106	155
RohnBbS	0.0007073	0.000108	-0.006786	-0.0000	0.0008	0.0000	5.516	0.000108	150
RohnBcS	0.0006663	0.0001052	-0.006657	-0.0000	0.0008	0.0000	5.713	0.0001052	145
RohnCaS	0.0005363	9.725e-005	-0.006353	-0.0000	-0.0000	-0.0000	6.171	9.725e-005	133.3
RohnCbS	0.0004781	9.173e-005	-0.00614	-0.0000	0.0011	-0.0000	6.434	9.173e-005	126.7
RohnDaS	0.0003784	8.275e-005	-0.005557	-0.0000	-0.0005	-0.0000	6.957	8.275e-005	113.3
RohnDbS	0.0003434	7.618e-005	-0.005175	-0.0001	0.0011	-0.0000	7.22	7.618e-005	106.7
RohnEaS	0.000236	6.153e-005	-0.004499	-0.0001	-0.0004	-0.0000	7.743	6.153e-005	93.34
RohnEbS	0.0001836	5.38e-005	-0.004187	-0.0001	0.0010	-0.0000	8.006	5.38e-005	86.66
RohnFaS	0.0003212	3.267e-005	-0.003411	-0.0001	0.0004	-0.0000	8.662	3.267e-005	70
RohnGaS	0.0002629	1.402e-005	-0.00249	-0.0000	0.0001	-0.0000	9.448	1.402e-005	50
RohnHaS	0.000268	3.883e-006	-0.001501	-0.0000	0.0002	-0.0000	10.24	3.883e-006	30
RohnIaS	0.0002249	-2.17e-007	-0.0004878	-0.0000	0.0001	-0.0000	11.03	-2.17e-007	10
SNB-AaS	0.001193	0.0001205	-0.003355	-0.0001	0.0025	-0.0000	2.531	0.0001205	175
SNB-AbS	0.001079	0.0001164	-0.003342	-0.0000	0.0004	-0.0000	2.728	0.0001164	170
SNB-AcS	0.001006	0.000114	-0.00332	-0.0000	0.0022	-0.0000	2.925	0.000114	165
SNB-BaS	0.0008266	0.0001101	-0.003261	-0.0000	0.0019	-0.0000	3.319	0.0001101	155
SNB-BbS	0.0007105	0.0001078	-0.003224	-0.0000	0.0004	-0.0000	3.515	0.0001078	150
SNB-BcS	0.0006694	0.000105	-0.00318	-0.0000	0.0019	-0.0000	3.712	0.000105	145
SNB-CaS	0.000539	9.739e-005	-0.00305	-0.0000	0.0006	0.0000	4.171	9.739e-005	133.3
SNB-CbS	0.0004806	9.265e-005	-0.002951	-0.0000	0.0025	0.0000	4.433	9.265e-005	126.7
SNB-DaS	0.0003804	8.219e-005	-0.002713	-0.0000	0.0009	0.0000	4.957	8.219e-005	113.3
SNB-DbS	0.0003451	7.578e-005	-0.002552	-0.0001	0.0017	-0.0000	5.22	7.578e-005	106.7
SNB-EaS	0.0002371	6.107e-005	-0.002293	-0.0001	0.0004	-0.0000	5.743	6.107e-005	93.34
SNB-EbS	0.0001846	5.301e-005	-0.002178	-0.0001	0.0020	-0.0000	6.006	5.301e-005	86.66
SNB-FaS	0.0003218	3.311e-005	-0.001839	-0.0001	0.0034	-0.0000	6.662	3.311e-005	70
SNB-GaS	0.0002632	1.497e-005	-0.001379	-0.0000	0.0035	-0.0000	7.448	1.497e-005	50
SNB-HaS	0.000268	4.036e-006	-0.0008498	-0.0000	0.0029	-0.0000	8.235	4.036e-006	30
SNB-IaS	0.0002249	-8.515e-008	-0.0002784	-0.0000	0.0012	-0.0000	9.022	-8.515e-008	10
SNB-WL-A1S	0.001268	0.0001255	-0.003459	-0.0023	-0.0002	-0.0000	0.5845	-1.01	180
SNB-WL-A2S	0.001268	0.0001255	-0.003426	-0.0000	0.0037	0.0000	-1.165	0.0001255	180
SNB-WL-A3S	0.001268	0.0001255	-0.003461	0.0022	-0.0002	-0.0000	0.5845	1.01	180
SNB-WL-B1S	0.0008802	0.0001121	-0.003442	-0.0015	0.0001	0.0000	0.7811	-1.351	160
SNB-WL-B2S	0.0008802	0.0001121	-0.003401	-0.0000	0.0028	0.0000	-1.56	0.0001121	160
SNB-WL-B3S	0.0008802	0.0001121	-0.003444	0.0015	0.0001	-0.0000	0.7811	1.352	160
SNB-WL-C1S	0.000556	0.0001018	-0.003458	-0.0016	-0.0002	-0.0000	0.9776	-1.692	140
SNB-WL-C2S	0.0005559	0.0001018	-0.00342	-0.0000	0.0026	-0.0000	-1.953	0.0001018	140
SNB-WL-C3S	0.000556	0.0001019	-0.00346	0.0016	-0.0002	0.0000	0.9776	1.692	140
SNB-WL-D1S	0.0003318	8.744e-005	-0.003639	-0.0027	-0.0010	-0.0000	1.174	-2.033	120
SNB-WL-D2S	0.0003317	8.752e-005	-0.003609	-0.0000	0.0036	-0.0000	-2.347	8.752e-005	120
SNB-WL-D3S	0.0003318	8.76e-005	-0.003643	0.0026	-0.0010	0.0000	1.174	2.033	120
SNB-WL-E1S	0.0001872	6.857e-005	-0.002947	-0.0017	-0.0006	-0.0000	1.37	-2.373	100
SNB-WL-E2S	0.0001871	6.864e-005	-0.002928	-0.0001	0.0021	-0.0000	-2.74	6.864e-005	100
SNB-WL-E3S	0.0001872	6.872e-005	-0.002952	0.0015	-0.0006	0.0000	1.37	2.373	100
SNB-WL-F1S	0.000103	4.496e-005	-0.003178	-0.0026	-0.0013	-0.0000	1.567	-2.714	80
SNB-WL-F2S	0.0001028	4.504e-005	-0.003165	-0.0001	0.0031	-0.0000	-3.134	4.504e-005	80
SNB-WL-F3S	0.000103	4.511e-005	-0.003184	0.0025	-0.0013	0.0000	1.567	2.714	80
SNB-WL-G1S	5.035e-005	2.359e-005	-0.003665	-0.0033	-0.0018	-0.0000	1.764	-3.055	60
SNB-WL-G2S	5.032e-005	2.361e-005	-0.003657	-0.0000	0.0039	-0.0000	-3.527	2.361e-005	60
SNB-WL-G3S	5.035e-005	2.363e-005	-0.003671	0.0032	-0.0018	0.0000	1.764	3.055	60
SNB-WL-H1S	1.92e-005	9.179e-006	-0.004095	-0.0029	-0.0016	-0.0000	1.96	-3.395	40
SNB-WL-H2S	1.916e-005	9.2e-006	-0.00409	-0.0000	0.0033	0.0000	-3.92	9.2e-006	40
SNB-WL-H3S	1.92e-005	9.219e-006	-0.004099	0.0028	-0.0016	0.0000	1.96	3.395	40
SNB-WL-I1S	3.688e-006	1.764e-006	-0.004573	-0.0023	-0.0013	-0.0000	2.157	-3.736	20
SNB-WL-I2S	3.662e-006	1.779e-006	-0.00457	-0.0000	0.0027	0.0000	-4.314	1.779e-006	20
SNB-WL-I3S	3.688e-006	1.792e-006	-0.004574	0.0023	-0.0013	0.0000	2.157	3.736	20
RohnAa1	0.001168	0.0001038	-0.006911	0.0000	0.0010	-0.0000	-2.264	-3.923	175
RohnAa2	0.001164	0.0001347	-0.006921	-0.0001	0.0011	0.0000	-2.264	3.923	175
RohnAb1	0.001079	0.0001151	-0.00688	-0.0002	0.0012	-0.0000	-2.362	-4.094	170
RohnAb2	0.001078	0.0001174	-0.006883	0.0001	0.0012	0.0000	-2.362	4.094	170
RohnAc1	0.0009697	9.025e-005	-0.006833	0.0001	0.0011	-0.0000	-2.461	-4.264	165
RohnAc2	0.0009697	0.0001378	-0.006835	-0.0001	0.0011	0.0000	-2.461	4.264	165
RohnBa1	0.0007653	8.313e-005	-0.006711	-0.0000	0.0010	-0.0000	-2.658	-4.605	155
RohnBa2	0.0007658	0.0001373	-0.006714	-0.0000	0.0010	0.0000	-2.658	4.605	155
RohnBb1	0.0006983	0.0001054	-0.006637	-0.0001	0.0010	-0.0000	-2.757	-4.776	150
RohnBb2	0.0006985	0.0001103	-0.006641	0.0001	0.0010	0.0000	-2.757	4.776	150

RohnBc1	0.0006028	7.214e-005	-0.006518	-0.0001	0.0009	-0.0000	-2.855	-4.947	145
RohnBc2	0.000603	0.0001379	-0.006524	-0.0000	0.0009	0.0000	-2.855	4.947	145
RohnCa1	0.0004384	4.401e-005	-0.006235	-0.0007	0.0010	-0.0000	-3.085	-5.344	133.3
RohnCa2	0.0004385	0.0001503	-0.006243	0.0006	0.0010	0.0000	-3.085	5.344	133.3
RohnCb1	0.0003564	2.387e-005	-0.006028	0.0004	0.0004	-0.0000	-3.216	-5.571	126.7
RohnCb2	0.0003559	0.0001605	-0.006036	-0.0005	0.0004	0.0000	-3.216	5.572	126.7
RohnDa1	0.0002214	-6.054e-006	-0.005463	-0.0009	0.0009	-0.0000	-3.478	-6.025	113.3
RohnDa2	0.0002221	0.0001704	-0.005473	0.0008	0.0009	0.0000	-3.478	6.025	113.3
RohnDb1	0.0001656	-2.306e-005	-0.005093	0.0005	0.0000	-0.0000	-3.609	-6.252	106.7
RohnDb2	0.000166	0.0001748	-0.005106	-0.0006	0.0000	0.0000	-3.609	6.252	106.7
RohnEa1	0.0001126	-7.897e-006	-0.004434	-0.0006	0.0006	-0.0000	-3.871	-6.706	93.34
RohnEa2	0.000113	0.0001303	-0.004451	0.0005	0.0006	0.0000	-3.871	6.706	93.34
RohnEb1	9.674e-005	5.177e-006	-0.004129	0.0006	-0.0002	0.0000	-4.003	-6.933	86.66
RohnEb2	9.725e-005	0.0001015	-0.004148	-0.0007	-0.0002	0.0000	-4.003	6.933	86.66
RohnFa1	-5.096e-005	-0.0001789	-0.003366	0.0001	0.0000	0.0000	-4.331	-7.501	70
RohnFa2	-5.201e-005	0.0002461	-0.003386	-0.0003	0.0000	0.0000	-4.331	7.501	70
RohnGa1	-8.261e-005	-0.0001827	-0.00246	-0.0001	0.0001	0.0000	-4.724	-8.182	50
RohnGa2	-8.411e-005	0.0002133	-0.002475	-0.0000	0.0001	0.0000	-4.724	8.182	50
RohnHa1	-0.0001198	-0.0002179	-0.001484	0.0001	-0.0000	0.0000	-5.118	-8.864	30
RohnHa2	-0.0001206	0.0002272	-0.001491	-0.0001	-0.0000	0.0000	-5.118	8.864	30
RohnIa1	-0.0001117	-0.0001931	-0.0004827	0.0000	-0.0000	0.0000	-5.513	-9.548	10
RohnIa2	-0.0001123	0.0001937	-0.000485	-0.0001	-0.0000	-0.0000	-5.513	9.548	10
SNB-Aa1	0.001162	0.0001031	-0.003281	0.0012	0.0004	0.0000	-1.264	-2.191	175
SNB-Aa2	0.001162	0.0001374	-0.003284	-0.0013	0.0004	0.0000	-1.264	2.191	175
SNB-Ab1	0.001074	0.0001144	-0.003262	-0.0006	0.0015	-0.0000	-1.362	-2.362	170
SNB-Ab2	0.001073	0.0001186	-0.003266	0.0005	0.0015	0.0000	-1.362	2.362	170
SNB-Ac1	0.0009616	9.123e-005	-0.003237	0.0009	0.0006	-0.0000	-1.461	-2.532	165
SNB-Ac2	0.0009616	0.0001368	-0.00324	-0.0009	0.0006	0.0000	-1.461	2.532	165
SNB-Ba1	0.0007682	7.789e-005	-0.003175	0.0008	0.0006	-0.0000	-1.658	-2.873	155
SNB-Ba2	0.0007682	0.0001423	-0.003178	-0.0008	0.0006	0.0000	-1.658	2.873	155
SNB-Bb1	0.0006987	0.0001016	-0.003139	-0.0005	0.0012	-0.0000	-1.757	-3.044	150
SNB-Bb2	0.0006987	0.0001139	-0.003143	0.0004	0.0012	0.0000	-1.757	3.044	150
SNB-Bc1	0.0006031	6.864e-005	-0.003097	0.0009	0.0003	-0.0000	-1.855	-3.214	145
SNB-Bc2	0.0006031	0.0001413	-0.0031	-0.0009	0.0003	0.0000	-1.855	3.214	145
SNB-Ca1	0.0004366	4.197e-005	-0.002973	-0.0001	0.0007	-0.0000	-2.085	-3.611	133.3
SNB-Ca2	0.0004368	0.0001524	-0.002978	0.0000	0.0007	0.0000	-2.085	3.612	133.3
SNB-Cb1	0.000354	2.243e-005	-0.002878	0.0016	-0.0003	-0.0000	-2.216	-3.839	126.7
SNB-Cb2	0.0003543	0.0001624	-0.002884	-0.0016	-0.0003	0.0000	-2.216	3.839	126.7
SNB-Da1	0.0002199	-7.465e-006	-0.00265	0.0003	0.0003	-0.0000	-2.478	-4.293	113.3
SNB-Da2	0.0002201	0.0001715	-0.002658	-0.0004	0.0003	0.0000	-2.478	4.293	113.3
SNB-Db1	0.0001654	-2.485e-005	-0.002497	0.0011	-0.0003	-0.0000	-2.609	-4.52	106.7
SNB-Db2	0.0001654	0.0001764	-0.002506	-0.0012	-0.0003	0.0000	-2.609	4.52	106.7
SNB-Ea1	0.0001128	-9.338e-006	-0.002248	0.0000	0.0002	-0.0000	-2.871	-4.974	93.34
SNB-Ea2	0.0001127	0.0001315	-0.002259	-0.0002	0.0002	0.0000	-2.871	4.974	93.34
SNB-Eb1	9.723e-005	3.795e-006	-0.002137	0.0015	-0.0007	-0.0000	-3.003	-5.201	86.66
SNB-Eb2	9.705e-005	0.0001025	-0.002148	-0.0016	-0.0007	0.0000	-3.003	5.201	86.66
SNB-Fa1	-5.219e-005	-0.0001789	-0.001806	0.0028	-0.0015	-0.0000	-3.331	-5.769	70
SNB-Fa2	-5.285e-005	0.0002463	-0.001818	-0.0029	-0.0015	0.0000	-3.331	5.769	70
SNB-Ga1	-8.34e-005	-0.0001825	-0.001357	0.0029	-0.0016	-0.0000	-3.724	-6.45	50
SNB-Ga2	-8.408e-005	0.0002136	-0.001365	-0.0030	-0.0016	0.0000	-3.724	6.45	50
SNB-Ha1	-0.00012	-0.0002178	-0.0008371	0.0024	-0.0014	-0.0000	-4.117	-7.132	30
SNB-Ha2	-0.0001207	0.0002272	-0.0008424	-0.0025	-0.0014	0.0000	-4.117	7.132	30
SNB-Ia1	-0.0001117	-0.0001931	-0.0002745	0.0011	-0.0006	-0.0000	-4.511	-7.813	10
SNB-Ia2	-0.0001121	0.0001937	-0.0002761	-0.0011	-0.0006	0.0000	-4.511	7.813	10

Joint Support Reactions for Load Case "0.9DL":

Joint Label	X Force (kips)	X Usage % (kips)	Y Force (kips)	Y Usage % (kips)	Z Force (kips)	Z Usage % (kips)	Comp. Usage %	Uplift Usage %	Result. Force (kips)	Result. Usage % (ft-k)	X X-M. Moment (ft-k)	X X-M. Usage % (ft-k)	Y Y-M. Moment (ft-k)	Y Y-M. Usage % (ft-k)	Z Z-M. Moment (ft-k)	Z Z-M. Usage % (ft-k)	Max. Usage %
RohnJP	-0.80	0.0	0.00	0.0	14.92	0.0	0.0	0.0	14.94	0.0	-0.00	0.0	-0.2	0.0	-0.00	0.0	0.0
SNB-JP	-0.41	0.0	0.00	0.0	13.89	0.0	0.0	0.0	13.89	0.0	-0.00	0.0	-0.4	0.0	-0.00	0.0	0.0
RohnJ1	0.40	0.0	0.69	0.0	14.77	0.0	0.0	0.0	14.79	0.0	-0.18	0.0	0.1	0.0	-0.00	0.0	0.0
RohnJ2	0.40	0.0	-0.69	0.0	14.84	0.0	0.0	0.0	14.86	0.0	0.18	0.0	0.1	0.0	0.00	0.0	0.0
SNB-J1	0.21	0.0	0.35	0.0	13.71	0.0	0.0	0.0	13.71	0.0	-0.31	0.0	0.2	0.0	-0.00	0.0	0.0
SNB-J2	0.21	0.0	-0.36	0.0	13.78	0.0	0.0	0.0	13.79	0.0	0.31	0.0	0.2	0.0	0.00	0.0	0.0

Joint Displacements, Loads and Member Forces on Joints for Load Case "0.9DL":

Joint Label	X External Load (kips)	Y External Load (kips)	Z External Load (kips)	X Member Force (kips)	Y Member Force (kips)	Z Member Force (kips)	X Disp. (ft)	Y Disp. (ft)	Z Disp. (ft)
RohnAP	0.0000	0.0000	-0.2657	0.0000	0.0000	0.2657	0.0013	0.0001	-0.0071
RohnBP	0.0000	0.0000	-0.9541	0.0000	0.0000	0.9541	0.0009	0.0001	-0.0070
RohnCP	0.0000	0.0000	-0.3841	0.0000	0.0000	0.3841	0.0006	0.0001	-0.0065
RohnDP	0.0000	0.0000	-0.4656	0.0000	0.0000	0.4656	0.0003	0.0001	-0.0059
RohnEP	0.0000	0.0000	-0.5771	0.0000	0.0000	0.5771	0.0002	0.0001	-0.0048
RohnFP	0.0000	0.0000	-0.7827	0.0000	0.0000	0.7827	0.0001	0.0000	-0.0039
RohnGP	0.0000	0.0000	-1.0426	0.0000	0.0000	1.0426	0.0001	0.0000	-0.0029
RohnHP	0.0000	0.0000	-1.0378	0.0000	0.0000	1.0378	0.0000	0.0000	-0.0020
RohnIP	0.0000	0.0000	-1.1643	0.0000	0.0000	1.1643	0.0000	0.0000	-0.0010
RohnJP	0.0000	0.0000	-0.6292	0.8002	-0.0005	-14.2863	0.0000	0.0000	0.0000
SNB-AP	0.0000	0.0000	-0.1397	0.0000	0.0000	0.1397	0.0013	0.0001	-0.0034
SNB-BP	0.0000	0.0000	-0.3025	0.0000	0.0000	0.3025	0.0009	0.0001	-0.0033
SNB-CP	0.0000	0.0000	-0.3841	0.0000	0.0000	0.3841	0.0006	0.0001	-0.0031
SNB-DP	0.0000	0.0000	-0.4656	0.0000	0.0000	0.4656	0.0003	0.0001	-0.0029
SNB-EP	0.0000	0.0000	-0.5771	0.0000	0.0000	0.5771	0.0002	0.0001	-0.0024
SNB-FP	0.0000	0.0000	-0.7827	0.0000	0.0000	0.7827	0.0001	0.0000	-0.0021
SNB-GP	0.0000	0.0000	-0.9526	0.0000	0.0000	0.9526	0.0001	0.0000	-0.0016
SNB-HP	0.0000	0.0000	-1.0378	0.0000	0.0000	1.0378	0.0000	0.0000	-0.0011
SNB-IP	0.0000	0.0000	-1.1643	0.0000	0.0000	1.1643	0.0000	0.0000	-0.0006
SNB-JP	0.0000	0.0000	-0.6292	0.4124	-0.0009	-13.2569	0.0000	0.0000	0.0000
RohnA1	0.0000	0.0000	-0.2657	0.0000	0.0000	0.2657	0.0013	0.0001	-0.0069
RohnA2	0.0000	0.0000	-0.3917	0.0000	0.0000	0.3917	0.0013	0.0001	-0.0069
RohnB1	0.0000	0.0000	-0.4051	0.0000	0.0000	0.4051	0.0009	0.0001	-0.0068
RohnB2	0.0000	0.0000	-0.3466	0.0000	0.0000	0.3466	0.0009	0.0001	-0.0068
RohnC1	0.0000	0.0000	-0.3841	0.0000	0.0000	0.3841	0.0006	0.0001	-0.0064
RohnC2	0.0000	0.0000	-0.3841	0.0000	0.0000	0.3841	0.0006	0.0001	-0.0064
RohnD1	0.0000	0.0000	-0.5286	0.0000	0.0000	0.5286	0.0003	0.0001	-0.0058
RohnD2	0.0000	0.0000	-0.4656	0.0000	0.0000	0.4656	0.0003	0.0001	-0.0058
RohnE1	0.0000	0.0000	-0.5771	0.0000	0.0000	0.5771	0.0002	0.0001	-0.0047
RohnE2	0.0000	0.0000	-0.5771	0.0000	0.0000	0.5771	0.0002	0.0001	-0.0047
RohnF1	0.0000	0.0000	-0.7827	0.0000	0.0000	0.7827	0.0001	0.0000	-0.0038
RohnF2	0.0000	0.0000	-0.9132	0.0000	0.0000	0.9132	0.0001	0.0001	-0.0038
RohnG1	0.0000	0.0000	-1.0066	0.0000	0.0000	1.0066	0.0000	0.0000	-0.0029
RohnG2	0.0000	0.0000	-1.0930	0.0000	0.0000	1.0930	0.0000	0.0000	-0.0029
RohnH1	0.0000	0.0000	-1.0378	0.0000	0.0000	1.0378	0.0000	0.0000	-0.0020
RohnH2	0.0000	0.0000	-1.0378	0.0000	0.0000	1.0378	0.0000	0.0000	-0.0020
RohnI1	0.0000	0.0000	-1.1643	0.0000	0.0000	1.1643	0.0000	-0.0000	-0.0010
RohnI2	0.0000	0.0000	-1.1643	0.0000	-0.0000	1.1643	0.0000	0.0000	-0.0010
RohnJ1	0.0000	0.0000	-0.6292	-0.3990	-0.6901	-14.1385	0.0000	0.0000	0.0000
RohnJ2	0.0000	0.0000	-0.6292	-0.4001	0.6908	-14.2065	0.0000	0.0000	0.0000
SNB-A1	0.0000	0.0000	-0.1397	0.0000	0.0000	0.1397	0.0013	0.0001	-0.0033
SNB-A2	0.0000	0.0000	-0.1397	0.0000	0.0000	0.1397	0.0013	0.0001	-0.0033
SNB-B1	0.0000	0.0000	-0.3025	0.0000	0.0000	0.3025	0.0009	0.0001	-0.0032
SNB-B2	0.0000	0.0000	-0.3025	0.0000	0.0000	0.3025	0.0009	0.0001	-0.0032
SNB-C1	0.0000	0.0000	-0.3841	0.0000	0.0000	0.3841	0.0006	0.0001	-0.0031
SNB-C2	0.0000	0.0000	-0.3841	0.0000	0.0000	0.3841	0.0006	0.0001	-0.0031
SNB-D1	0.0000	0.0000	-0.4656	0.0000	0.0000	0.4656	0.0003	0.0001	-0.0028
SNB-D2	0.0000	0.0000	-0.4656	0.0000	0.0000	0.4656	0.0003	0.0001	-0.0028
SNB-E1	0.0000	0.0000	-0.5771	0.0000	0.0000	0.5771	0.0002	0.0001	-0.0024
SNB-E2	0.0000	0.0000	-0.5771	0.0000	0.0000	0.5771	0.0002	0.0001	-0.0024
SNB-F1	0.0000	0.0000	-0.7827	0.0000	0.0000	0.7827	0.0001	0.0000	-0.0020
SNB-F2	0.0000	0.0000	-0.7827	0.0000	0.0000	0.7827	0.0001	0.0001	-0.0020
SNB-G1	0.0000	0.0000	-0.9526	0.0000	0.0000	0.9526	0.0000	0.0000	-0.0016
SNB-G2	0.0000	0.0000	-0.9526	0.0000	0.0000	0.9526	0.0000	0.0000	-0.0016
SNB-H1	0.0000	0.0000	-1.0378	0.0000	0.0000	1.0378	0.0000	0.0000	-0.0011
SNB-H2	0.0000	0.0000	-1.0378	0.0000	0.0000	1.0378	0.0000	0.0000	-0.0011
SNB-I1	0.0000	0.0000	-1.1643	0.0000	0.0000	1.1643	0.0000	-0.0000	-0.0006
SNB-I2	0.0000	0.0000	-1.1643	0.0000	0.0000	1.1643	0.0000	0.0000	-0.0006
SNB-J1	0.0000	0.0000	-0.6292	-0.2062	-0.3546	-13.0774	0.0000	0.0000	0.0000
SNB-J2	0.0000	0.0000	-0.6292	-0.2075	0.3552	-13.1534	0.0000	0.0000	0.0000
RohnAaS	0.0000	0.0000	-0.1868	0.0000	0.0000	0.1868	0.0012	0.0001	-0.0070
RohnAbS	0.0000	0.0000	-0.1397	0.0000	0.0000	0.1397	0.0011	0.0001	-0.0070
RohnAcS	0.0000	0.0000	-0.1877	0.0000	0.0000	0.1877	0.0010	0.0001	-0.0070

RohnBaS	0.0000	0.0000	-0.1628	0.0000	0.0000	0.1628	0.0008	0.0001	-0.0069
RohnBbS	0.0000	0.0000	-0.8685	0.0000	0.0000	0.8685	0.0007	0.0001	-0.0068
RohnBcS	0.0000	0.0000	-0.1628	0.0000	0.0000	0.1628	0.0007	0.0001	-0.0067
RohnCaS	0.0000	0.0000	-0.7183	0.0000	0.0000	0.7183	0.0005	0.0001	-0.0064
RohnCbS	0.0000	0.0000	-1.2921	0.0000	0.0000	1.2921	0.0005	0.0001	-0.0061
RohnDaS	0.0000	0.0000	-1.1394	0.0000	0.0000	1.1394	0.0004	0.0001	-0.0056
RohnDbS	0.0000	0.0000	-0.2443	0.0000	0.0000	0.2443	0.0003	0.0001	-0.0052
RohnEaS	0.0000	0.0000	-0.3328	0.0000	0.0000	0.3328	0.0002	0.0001	-0.0045
RohnEbS	0.0000	0.0000	-0.3328	0.0000	0.0000	0.3328	0.0002	0.0001	-0.0042
RohnFaS	0.0000	0.0000	-0.4499	0.0000	0.0000	0.4499	0.0003	0.0000	-0.0034
RohnGaS	0.0000	0.0000	-0.5027	0.0000	0.0000	0.5027	0.0003	0.0000	-0.0025
RohnHaS	0.0000	0.0000	-0.5351	0.0000	0.0000	0.5351	0.0003	0.0000	-0.0015
RohnIaS	0.0000	0.0000	-0.6292	0.0000	0.0000	0.6292	0.0002	-0.0000	-0.0005
SNB-AaS	0.0000	0.0000	-0.1397	0.0000	0.0000	0.1397	0.0012	0.0001	-0.0034
SNB-AbS	0.0000	0.0000	-0.1397	0.0000	0.0000	0.1397	0.0011	0.0001	-0.0033
SNB-AcS	0.0000	0.0000	-0.1397	0.0000	0.0000	0.1397	0.0010	0.0001	-0.0033
SNB-BaS	0.0000	0.0000	-0.1628	0.0000	0.0000	0.1628	0.0008	0.0001	-0.0033
SNB-BbS	0.0000	0.0000	-0.1628	0.0000	0.0000	0.1628	0.0007	0.0001	-0.0032
SNB-BcS	0.0000	0.0000	-0.1628	0.0000	0.0000	0.1628	0.0007	0.0001	-0.0032
SNB-CaS	0.0000	0.0000	-0.2213	0.0000	0.0000	0.2213	0.0005	0.0001	-0.0031
SNB-CbS	0.0000	0.0000	-0.2213	0.0000	0.0000	0.2213	0.0005	0.0001	-0.0030
SNB-DaS	0.0000	0.0000	-0.2443	0.0000	0.0000	0.2443	0.0004	0.0001	-0.0027
SNB-DbS	0.0000	0.0000	-0.2443	0.0000	0.0000	0.2443	0.0003	0.0001	-0.0026
SNB-EaS	0.0000	0.0000	-0.3328	0.0000	0.0000	0.3328	0.0002	0.0001	-0.0023
SNB-EbS	0.0000	0.0000	-0.3328	0.0000	0.0000	0.3328	0.0002	0.0001	-0.0022
SNB-FaS	0.0000	0.0000	-0.4499	0.0000	0.0000	0.4499	0.0003	0.0000	-0.0018
SNB-GaS	0.0000	0.0000	-0.5027	0.0000	0.0000	0.5027	0.0003	0.0000	-0.0014
SNB-HaS	0.0000	0.0000	-0.5351	0.0000	0.0000	0.5351	0.0003	0.0000	-0.0008
SNB-IaS	0.0000	0.0000	-0.6292	0.0000	0.0000	0.6292	0.0002	-0.0000	-0.0003
SNB-WL-A1S	0.0000	0.0000	-0.1397	0.0000	0.0000	0.1397	0.0013	0.0001	-0.0035
SNB-WL-A2S	0.0000	0.0000	-0.1397	0.0000	0.0000	0.1397	0.0013	0.0001	-0.0034
SNB-WL-A3S	0.0000	0.0000	-0.1397	0.0000	0.0000	0.1397	0.0013	0.0001	-0.0035
SNB-WL-B1S	0.0000	0.0000	-0.1397	0.0000	0.0000	0.1397	0.0009	0.0001	-0.0034
SNB-WL-B2S	0.0000	0.0000	-0.1397	0.0000	0.0000	0.1397	0.0009	0.0001	-0.0034
SNB-WL-B3S	0.0000	0.0000	-0.1397	0.0000	0.0000	0.1397	0.0009	0.0001	-0.0034
SNB-WL-C1S	0.0000	0.0000	-0.1628	0.0000	0.0000	0.1628	0.0006	0.0001	-0.0035
SNB-WL-C2S	0.0000	0.0000	-0.1628	0.0000	0.0000	0.1628	0.0006	0.0001	-0.0034
SNB-WL-C3S	0.0000	0.0000	-0.1628	0.0000	0.0000	0.1628	0.0006	0.0001	-0.0035
SNB-WL-D1S	0.0000	0.0000	-0.2213	0.0000	0.0000	0.2213	0.0003	0.0001	-0.0036
SNB-WL-D2S	0.0000	0.0000	-0.2213	0.0000	0.0000	0.2213	0.0003	0.0001	-0.0036
SNB-WL-D3S	0.0000	0.0000	-0.2213	0.0000	0.0000	0.2213	0.0003	0.0001	-0.0036
SNB-WL-E1S	0.0000	0.0000	-0.2443	0.0000	0.0000	0.2443	0.0002	0.0001	-0.0029
SNB-WL-E2S	0.0000	0.0000	-0.2443	0.0000	0.0000	0.2443	0.0002	0.0001	-0.0029
SNB-WL-E3S	0.0000	0.0000	-0.2443	0.0000	0.0000	0.2443	0.0002	0.0001	-0.0030
SNB-WL-F1S	0.0000	0.0000	-0.3328	0.0000	0.0000	0.3328	0.0001	0.0000	-0.0032
SNB-WL-F2S	0.0000	0.0000	-0.3328	0.0000	0.0000	0.3328	0.0001	0.0000	-0.0032
SNB-WL-F3S	0.0000	0.0000	-0.3328	0.0000	0.0000	0.3328	0.0001	0.0000	-0.0032
SNB-WL-G1S	0.0000	0.0000	-0.4499	0.0000	0.0000	0.4499	0.0001	0.0000	-0.0037
SNB-WL-G2S	0.0000	0.0000	-0.4499	0.0000	0.0000	0.4499	0.0001	0.0000	-0.0037
SNB-WL-G3S	0.0000	0.0000	-0.4499	0.0000	0.0000	0.4499	0.0001	0.0000	-0.0037
SNB-WL-H1S	0.0000	0.0000	-0.5027	0.0000	0.0000	0.5027	0.0000	0.0000	-0.0041
SNB-WL-H2S	0.0000	0.0000	-0.5027	0.0000	0.0000	0.5027	0.0000	0.0000	-0.0041
SNB-WL-H3S	0.0000	0.0000	-0.5027	0.0000	0.0000	0.5027	0.0000	0.0000	-0.0041
SNB-WL-I1S	0.0000	0.0000	-0.5351	0.0000	0.0000	0.5351	0.0000	0.0000	-0.0046
SNB-WL-I2S	0.0000	0.0000	-0.5351	0.0000	0.0000	0.5351	0.0000	0.0000	-0.0046
SNB-WL-I3S	0.0000	0.0000	-0.5351	0.0000	-0.0000	0.5351	0.0000	0.0000	-0.0046
RohnAa1	0.0000	0.0000	-0.2059	0.0000	0.0000	0.2059	0.0012	0.0001	-0.0069
RohnAa2	0.0000	0.0000	-0.2266	0.0000	0.0000	0.2266	0.0012	0.0001	-0.0069
RohnAb1	0.0000	0.0000	-0.2477	0.0000	0.0000	0.2477	0.0011	0.0001	-0.0069
RohnAb2	0.0000	0.0000	-0.1397	0.0000	0.0000	0.1397	0.0011	0.0001	-0.0069
RohnAc1	0.0000	0.0000	-0.1397	0.0000	0.0000	0.1397	0.0010	0.0001	-0.0068
RohnAc2	0.0000	0.0000	-0.1397	0.0000	0.0000	0.1397	0.0010	0.0001	-0.0068
RohnBa1	0.0000	0.0000	-0.1628	0.0000	0.0000	0.1628	0.0008	0.0001	-0.0067
RohnBa2	0.0000	0.0000	-0.1628	0.0000	0.0000	0.1628	0.0008	0.0001	-0.0067
RohnBb1	0.0000	0.0000	-0.8442	0.0000	0.0000	0.8442	0.0007	0.0001	-0.0066
RohnBb2	0.0000	0.0000	-0.8442	0.0000	0.0000	0.8442	0.0007	0.0001	-0.0066
RohnBc1	0.0000	0.0000	-0.1628	0.0000	0.0000	0.1628	0.0006	0.0001	-0.0065
RohnBc2	0.0000	0.0000	-0.1628	0.0000	0.0000	0.1628	0.0006	0.0001	-0.0065
RohnCa1	0.0000	0.0000	-0.7723	0.0000	0.0000	0.7723	0.0004	0.0000	-0.0062

RohnCa2	0.0000	0.0000	-0.8083	0.0000	0.0000	0.8083	0.0004	0.0002	-0.0062
RohnCb1	0.0000	0.0000	-1.2021	0.0000	0.0000	1.2021	0.0004	0.0000	-0.0060
RohnCb2	0.0000	0.0000	-1.2021	0.0000	0.0000	1.2021	0.0004	0.0002	-0.0060
RohnDa1	0.0000	0.0000	-1.0449	0.0000	0.0000	1.0449	0.0002	-0.0000	-0.0055
RohnDa2	0.0000	0.0000	-1.0449	0.0000	0.0000	1.0449	0.0002	0.0002	-0.0055
RohnDb1	0.0000	0.0000	-0.2443	0.0000	0.0000	0.2443	0.0002	-0.0000	-0.0051
RohnDb2	0.0000	0.0000	-0.2443	0.0000	0.0000	0.2443	0.0002	0.0002	-0.0051
RohnEa1	0.0000	0.0000	-0.3328	0.0000	0.0000	0.3328	0.0001	-0.0000	-0.0044
RohnEa2	0.0000	0.0000	-0.3328	0.0000	0.0000	0.3328	0.0001	0.0001	-0.0045
RohnEb1	0.0000	0.0000	-0.3328	0.0000	0.0000	0.3328	0.0001	0.0000	-0.0041
RohnEb2	0.0000	0.0000	-0.3328	0.0000	0.0000	0.3328	0.0001	0.0001	-0.0041
RohnFa1	0.0000	0.0000	-0.4499	0.0000	0.0000	0.4499	-0.0001	-0.0002	-0.0034
RohnFa2	0.0000	0.0000	-0.4499	0.0000	0.0000	0.4499	-0.0001	0.0002	-0.0034
RohnGa1	0.0000	0.0000	-0.5027	0.0000	0.0000	0.5027	-0.0001	-0.0002	-0.0025
RohnGa2	0.0000	0.0000	-0.5027	0.0000	0.0000	0.5027	-0.0001	0.0002	-0.0025
RohnHa1	0.0000	0.0000	-0.5351	0.0000	0.0000	0.5351	-0.0001	-0.0002	-0.0015
RohnHa2	0.0000	0.0000	-0.5351	0.0000	0.0000	0.5351	-0.0001	0.0002	-0.0015
RohnIa1	0.0000	0.0000	-0.6292	0.0000	0.0000	0.6292	-0.0001	-0.0002	-0.0005
RohnIa2	0.0000	0.0000	-0.6292	0.0000	0.0000	0.6292	-0.0001	0.0002	-0.0005
SNB-Aa1	0.0000	0.0000	-0.1397	0.0000	0.0000	0.1397	0.0012	0.0001	-0.0033
SNB-Aa2	0.0000	0.0000	-0.1397	0.0000	0.0000	0.1397	0.0012	0.0001	-0.0033
SNB-Ab1	0.0000	0.0000	-0.1397	0.0000	0.0000	0.1397	0.0011	0.0001	-0.0033
SNB-Ab2	0.0000	0.0000	-0.1397	0.0000	0.0000	0.1397	0.0011	0.0001	-0.0033
SNB-Ac1	0.0000	0.0000	-0.1397	0.0000	0.0000	0.1397	0.0010	0.0001	-0.0032
SNB-Ac2	0.0000	0.0000	-0.1397	0.0000	0.0000	0.1397	0.0010	0.0001	-0.0032
SNB-Ba1	0.0000	0.0000	-0.1628	0.0000	0.0000	0.1628	0.0008	0.0001	-0.0032
SNB-Ba2	0.0000	0.0000	-0.1628	0.0000	0.0000	0.1628	0.0008	0.0001	-0.0032
SNB-Bb1	0.0000	0.0000	-0.1628	0.0000	0.0000	0.1628	0.0007	0.0001	-0.0031
SNB-Bb2	0.0000	0.0000	-0.1628	0.0000	0.0000	0.1628	0.0007	0.0001	-0.0031
SNB-Bc1	0.0000	0.0000	-0.1628	0.0000	0.0000	0.1628	0.0006	0.0001	-0.0031
SNB-Bc2	0.0000	0.0000	-0.1628	0.0000	0.0000	0.1628	0.0006	0.0001	-0.0031
SNB-Ca1	0.0000	0.0000	-0.2213	0.0000	0.0000	0.2213	0.0004	0.0000	-0.0030
SNB-Ca2	0.0000	0.0000	-0.2213	0.0000	0.0000	0.2213	0.0004	0.0002	-0.0030
SNB-Cb1	0.0000	0.0000	-0.2213	0.0000	0.0000	0.2213	0.0004	0.0000	-0.0029
SNB-Cb2	0.0000	0.0000	-0.2213	0.0000	0.0000	0.2213	0.0004	0.0002	-0.0029
SNB-Da1	0.0000	0.0000	-0.2443	0.0000	0.0000	0.2443	0.0002	-0.0000	-0.0027
SNB-Da2	0.0000	0.0000	-0.2443	0.0000	0.0000	0.2443	0.0002	0.0002	-0.0027
SNB-Db1	0.0000	0.0000	-0.2443	0.0000	0.0000	0.2443	0.0002	-0.0000	-0.0025
SNB-Db2	0.0000	0.0000	-0.2443	0.0000	0.0000	0.2443	0.0002	0.0002	-0.0025
SNB-Ea1	0.0000	0.0000	-0.3328	0.0000	0.0000	0.3328	0.0001	-0.0000	-0.0022
SNB-Ea2	0.0000	0.0000	-0.3328	0.0000	0.0000	0.3328	0.0001	0.0001	-0.0023
SNB-Eb1	0.0000	0.0000	-0.3328	0.0000	0.0000	0.3328	0.0001	0.0000	-0.0021
SNB-Eb2	0.0000	0.0000	-0.3328	0.0000	0.0000	0.3328	0.0001	0.0001	-0.0021
SNB-Fa1	0.0000	0.0000	-0.4499	0.0000	0.0000	0.4499	-0.0001	-0.0002	-0.0018
SNB-Fa2	0.0000	0.0000	-0.4499	0.0000	0.0000	0.4499	-0.0001	0.0002	-0.0018
SNB-Ga1	0.0000	0.0000	-0.5027	0.0000	0.0000	0.5027	-0.0001	-0.0002	-0.0014
SNB-Ga2	0.0000	0.0000	-0.5027	0.0000	0.0000	0.5027	-0.0001	0.0002	-0.0014
SNB-Ha1	0.0000	0.0000	-0.5351	0.0000	0.0000	0.5351	-0.0001	-0.0002	-0.0008
SNB-Ha2	0.0000	0.0000	-0.5351	0.0000	0.0000	0.5351	-0.0001	0.0002	-0.0008
SNB-Ia1	0.0000	0.0000	-0.6292	0.0000	-0.0000	0.6292	-0.0001	-0.0002	-0.0003
SNB-Ia2	0.0000	0.0000	-0.6292	0.0000	0.0000	0.6292	-0.0001	0.0002	-0.0003

Moments for Angles Modeled as Beams:

Angle Label	Torsion (ft-lbs)	Origin X Moment (ft-lbs)	Origin Y Moment (ft-lbs)	End X Moment (ft-lbs)	End Y Moment (ft-lbs)	X Shear (lbs)	Y Shear (lbs)
Rohn-LA1P	0.00	0.00	-0.08	-0.41	-2.62	-0.08	-0.54
Rohn-LA11	0.00	-0.06	0.04	-2.43	1.02	-0.50	0.21
Rohn-LA12	-0.00	0.13	0.07	2.13	1.33	0.45	0.28
Rohn-LA2P	0.00	0.41	2.62	0.10	3.70	0.10	1.26
Rohn-LA21	0.00	2.43	-1.02	3.31	-1.73	1.15	-0.55
Rohn-LA22	-0.00	-2.13	-1.33	-3.29	-1.83	-1.08	-0.63
Rohn-LA3P	0.00	-0.10	-3.70	0.02	-4.97	-0.02	-1.73
Rohn-LA31	0.00	-3.31	1.73	-4.40	2.19	-1.54	0.78
Rohn-LA32	-0.00	3.29	1.83	4.37	2.15	1.53	0.79
Rohn-LA4P	0.00	-0.02	4.97	-0.05	7.08	-0.01	2.41
Rohn-LA41	0.00	4.40	-2.19	5.74	-3.30	2.02	-1.10

Rohn-LA42	-0.00	-4.37	-2.15	-5.74	-3.24	-2.02	-1.08
Rohn-LB1P	0.00	0.05	-7.26	0.10	-8.67	0.03	-3.18
Rohn-LB11	0.01	-5.75	3.28	-7.15	5.51	-2.58	1.76
Rohn-LB12	-0.01	5.74	3.22	7.22	5.43	2.59	1.73
Rohn-LB2P	0.00	-0.10	8.67	-0.02	10.02	-0.02	3.74
Rohn-LB21	0.01	7.15	-5.51	7.90	-4.83	3.01	-2.07
Rohn-LB22	-0.01	-7.22	-5.43	-7.87	-4.79	-3.02	-2.04
Rohn-LB3P	0.00	0.02	-10.02	0.02	-9.83	0.01	-3.97
Rohn-LB31	0.01	-7.90	4.83	-8.47	5.59	-3.27	2.08
Rohn-LB32	-0.01	7.87	4.79	8.50	5.59	3.27	2.07
Rohn-LB4P	0.00	-0.02	9.83	0.03	10.28	0.00	4.02
Rohn-LB41	0.01	8.47	-5.59	8.35	-4.70	3.36	-2.06
Rohn-LB42	-0.01	-8.50	-5.59	-8.30	-4.71	-3.36	-2.06
Rohn-LC1P	0.00	-0.03	-10.28	0.06	-2.66	0.00	-1.94
Rohn-LC11	0.01	-8.35	4.70	-2.40	2.03	-1.61	1.01
Rohn-LC12	-0.01	8.30	4.71	2.43	1.98	1.61	1.00
Rohn-LC2P	0.00	-0.06	2.66	-0.11	-8.29	-0.02	-0.84
Rohn-LC21	0.01	2.40	-2.03	-7.61	4.45	-0.78	0.36
Rohn-LC22	-0.01	-2.43	-1.98	7.54	4.54	0.76	0.38
Rohn-LC3P	0.00	0.11	8.29	0.05	17.08	0.02	3.81
Rohn-LC31	0.01	7.61	-4.45	14.48	-7.69	3.31	-1.82
Rohn-LC32	-0.01	-7.54	-4.53	-14.37	-7.69	-3.29	-1.83
Rohn-LD1P	0.00	-0.05	-17.08	0.16	-6.86	0.02	-3.59
Rohn-LD11	0.01	-14.48	7.69	-6.54	4.13	-3.15	1.77
Rohn-LD12	-0.01	14.37	7.69	6.67	4.02	3.16	1.76
Rohn-LD2P	0.00	-0.16	6.86	-0.02	-16.46	-0.03	-1.44
Rohn-LD21	0.01	6.54	-4.13	-14.36	9.34	-1.17	0.78
Rohn-LD22	-0.01	-6.67	-4.02	14.47	9.42	1.17	0.81
Rohn-LD3P	0.00	0.02	16.47	0.09	29.11	0.02	6.84
Rohn-LD31	0.01	14.36	-9.34	24.47	-13.93	5.83	-3.49
Rohn-LD32	-0.01	-14.47	-9.42	-24.40	-14.00	-5.83	-3.51
Rohn-LE1P	0.00	-0.09	-29.11	-0.03	-16.80	-0.02	-6.89
Rohn-LE11	0.01	-24.47	13.93	-14.74	8.99	-5.88	3.44
Rohn-LE12	-0.01	24.40	14.00	14.76	9.03	5.88	3.45
Rohn-LE2P	0.00	0.03	16.80	0.04	-10.96	0.01	0.87
Rohn-LE21	0.01	14.74	-8.99	-9.63	6.07	0.76	-0.44
Rohn-LE22	-0.01	-14.76	-9.03	9.75	6.10	-0.75	-0.44
Rohn-LE3P	0.00	-0.04	10.96	0.15	51.73	0.02	9.41
Rohn-LE31	0.01	9.63	-6.07	44.05	-25.31	8.05	-4.71
Rohn-LE32	-0.01	-9.75	-6.10	-44.18	-25.56	-8.09	-4.75
Rohn-LF1P	0.00	-0.15	-51.73	-0.46	-84.20	-0.06	-13.58
Rohn-LF11	0.01	-44.05	25.31	-72.84	42.76	-11.68	6.80
Rohn-LF12	-0.01	44.18	25.56	72.63	43.17	11.67	6.87
Rohn-LF2P	0.00	0.46	84.20	0.26	97.04	0.07	18.11
Rohn-LF21	0.01	72.84	-42.76	82.99	-47.98	15.57	-9.07
Rohn-LF22	-0.01	-72.63	-43.17	-83.25	-48.43	-15.58	-9.15
Rohn-LG1P	0.00	-0.26	-97.04	-0.58	-103.30	-0.08	-20.02
Rohn-LG11	0.01	-82.99	47.98	-89.36	52.15	-17.22	10.00
Rohn-LG12	-0.01	83.25	48.43	89.03	52.62	17.21	10.10
Rohn-LG2P	0.00	0.58	103.30	0.18	111.81	0.08	21.50
Rohn-LG21	0.01	89.36	-52.14	95.94	-55.49	18.52	-10.76
Rohn-LG22	-0.01	-89.03	-52.62	-96.20	-55.85	-18.51	-10.84
Rohn-LH1P	0.00	-0.18	-111.81	-0.33	-122.47	-0.05	-23.41
Rohn-LH11	0.01	-95.94	55.49	-105.92	61.69	-20.17	11.71
Rohn-LH12	-0.01	96.20	55.85	105.72	61.95	20.18	11.77
Rohn-LH2P	0.00	0.33	122.47	0.06	148.42	0.04	27.07
Rohn-LH21	0.01	105.92	-61.69	127.59	-73.83	23.33	-13.54
Rohn-LH22	-0.01	-105.72	-61.95	-127.93	-74.10	-23.35	-13.60
Rohn-LI1P	0.00	-0.06	-148.42	-0.59	-202.04	-0.06	-35.02
Rohn-LI11	0.01	-127.59	73.83	-174.97	101.97	-30.23	17.57
Rohn-LI12	-0.01	127.93	74.10	174.49	102.37	30.22	17.63
Rohn-LI2P	0.00	0.59	202.04	0.40	206.20	0.10	40.79
Rohn-LI21	0.01	174.97	-101.97	177.75	-103.24	35.25	-20.51
Rohn-LI22	-0.01	-174.49	-102.37	-177.79	-103.72	-35.20	-20.59
Rohn-H1P	-0.00	-0.06	-0.00	0.05	-0.00	-0.00	-0.00
Rohn-H11	0.00	-0.04	0.00	0.08	0.00	0.01	0.00
Rohn-H12	-0.00	-0.08	-0.00	0.04	-0.00	-0.01	-0.00
Rohn-H2P	-0.00	-0.10	-0.00	-0.02	-0.00	-0.01	-0.00
Rohn-H21	-0.00	-0.03	-0.00	0.02	0.00	-0.00	-0.00

Rohn-H22	0.00	0.03	0.00	0.10	0.00	0.02	0.00
SNB-LA1P	-0.00	-0.05	56.37	-0.04	10.75	-0.02	13.41
SNB-LA11	0.00	48.74	-28.17	9.29	-5.40	11.60	-6.71
SNB-LA12	-0.00	-48.99	-28.26	-9.51	-5.48	-11.69	-6.74
SNB-LA2P	-0.00	0.04	-10.75	-0.09	3.79	-0.01	-1.39
SNB-LA21	0.00	-9.29	5.40	3.14	-2.11	-1.23	0.66
SNB-LA22	-0.00	9.51	5.49	-3.22	-2.05	1.26	0.69
SNB-LA3P	-0.00	0.09	-3.79	-0.01	-16.09	0.02	-3.97
SNB-LA31	0.00	-3.14	2.11	-13.55	8.23	-3.34	2.07
SNB-LA32	-0.00	3.22	2.05	13.48	8.20	3.34	2.05
SNB-LA4P	-0.00	0.01	16.09	0.02	48.44	0.01	12.89
SNB-LA41	0.00	13.55	-8.23	40.90	-23.73	10.88	-6.39
SNB-LA42	-0.00	-13.48	-8.20	-40.81	-23.70	-10.85	-6.37
SNB-LB1P	-0.00	0.03	82.55	0.05	5.63	0.02	17.62
SNB-LB11	0.02	71.44	-40.67	4.58	-1.19	15.19	-8.37
SNB-LB12	-0.02	-71.33	-40.64	-4.47	-1.18	-15.15	-8.36
SNB-LB2P	-0.00	-0.05	-5.62	0.03	21.95	-0.00	3.26
SNB-LB21	0.02	-4.58	1.19	17.83	-10.05	2.65	-1.77
SNB-LB22	-0.02	4.47	1.18	-17.75	-10.04	-2.65	-1.77
SNB-LB3P	-0.00	-0.03	-21.94	0.06	-48.68	0.01	-14.11
SNB-LB31	0.02	-17.83	10.05	-42.15	25.87	-11.99	7.18
SNB-LB32	-0.02	17.75	10.04	42.24	25.85	11.99	7.17
SNB-LB4P	-0.00	-0.06	48.68	-0.01	133.93	-0.01	36.49
SNB-LB41	0.02	42.15	-25.87	114.86	-66.61	31.38	-18.48
SNB-LB42	-0.02	-42.24	-25.85	-114.83	-66.58	-31.39	-18.47
SNB-LC1P	-0.00	0.00	75.84	0.02	29.06	0.00	15.74
SNB-LC11	0.02	66.83	-38.39	25.12	-13.49	13.80	-7.78
SNB-LC12	-0.02	-66.90	-38.44	-25.12	-13.51	-13.81	-7.79
SNB-LC2P	-0.00	-0.02	-29.06	0.03	-53.74	0.00	-12.38
SNB-LC21	0.02	-25.12	13.49	-46.85	27.77	-10.77	6.17
SNB-LC22	-0.02	25.12	13.51	46.85	27.73	10.77	6.17
SNB-LC3P	-0.00	-0.03	53.74	-0.01	160.55	-0.01	32.15
SNB-LC31	0.02	46.85	-27.77	138.16	-79.94	27.76	-16.16
SNB-LC32	-0.02	-46.85	-27.73	-138.05	-79.86	-27.74	-16.14
SNB-LD1P	-0.00	0.02	189.40	0.13	55.21	0.02	36.70
SNB-LD11	0.02	164.98	-95.20	47.38	-26.02	31.86	-18.19
SNB-LD12	-0.01	-165.04	-95.26	-47.24	-26.09	-31.85	-18.21
SNB-LD2P	-0.00	-0.13	-55.21	0.06	-72.87	-0.01	-19.16
SNB-LD21	0.02	-47.38	26.02	-63.26	37.82	-16.55	9.55
SNB-LD22	-0.01	47.24	26.09	63.46	37.86	16.56	9.57
SNB-LD3P	-0.00	-0.06	72.87	0.03	178.87	-0.00	37.77
SNB-LD31	0.02	63.26	-37.82	153.47	-88.76	32.52	-18.99
SNB-LD32	-0.01	-63.46	-37.86	-153.46	-88.79	-32.55	-19.00
SNB-LE1P	-0.00	-0.07	271.50	0.16	75.68	0.01	52.09
SNB-LE11	0.02	236.56	-136.65	65.14	-35.90	45.27	-25.89
SNB-LE12	-0.02	-236.76	-136.68	-65.00	-36.00	-45.27	-25.91
SNB-LE2P	-0.00	-0.16	-75.68	-0.08	-163.37	-0.04	-35.76
SNB-LE21	0.02	-65.14	35.90	-141.93	83.31	-30.98	17.83
SNB-LE22	-0.02	65.00	36.00	142.15	83.54	30.99	17.88
SNB-LE3P	-0.00	0.08	163.37	0.09	565.04	0.03	109.29
SNB-LE31	0.02	141.93	-83.31	487.55	-282.29	94.44	-54.85
SNB-LE32	-0.02	-142.15	-83.53	-488.06	-282.69	-94.55	-54.95
SNB-LF1P	0.01	-0.17	145.36	-0.43	-170.38	-0.06	-2.50
SNB-LF11	0.01	127.77	-73.32	-146.76	86.87	-1.90	1.35
SNB-LF12	-0.02	-127.61	-73.03	146.59	87.27	1.90	1.42
SNB-LF2P	0.01	0.43	170.38	0.11	546.65	0.05	71.65
SNB-LF21	0.01	146.76	-86.87	470.91	-273.24	61.72	-35.98
SNB-LF22	-0.02	-146.59	-87.26	-471.59	-273.77	-61.77	-36.08
SNB-LG1P	0.01	-0.15	562.16	-1.01	-249.02	-0.12	31.29
SNB-LG11	0.01	489.35	-281.66	-215.09	126.86	27.41	-15.47
SNB-LG12	-0.03	-488.78	-281.15	214.34	127.60	-27.42	-15.34
SNB-LG2P	0.01	1.01	249.02	0.29	991.21	0.13	123.93
SNB-LG21	0.01	215.09	-126.86	855.52	-495.42	106.98	-62.18
SNB-LG22	-0.03	-214.34	-127.60	-856.34	-496.23	-106.99	-62.34
SNB-LH1P	0.01	-0.30	422.79	-1.07	-274.77	-0.14	14.79
SNB-LH11	0.01	368.89	-212.08	-237.32	139.15	13.15	-7.29
SNB-LH12	-0.02	-368.10	-211.28	236.65	140.01	-13.14	-7.12
SNB-LH2P	0.01	1.07	274.77	0.40	883.89	0.15	115.78
SNB-LH21	0.01	237.32	-139.15	762.67	-441.58	99.92	-58.03

SNB-LH22	-0.02	-236.65	-140.01	-763.45	-442.49	-99.93	-58.21
SNB-LI1P	0.01	-0.40	800.04	-1.52	-172.43	-0.19	62.71
SNB-LI11	0.00	695.54	-401.00	-149.12	88.64	54.60	-31.21
SNB-LI12	-0.01	-694.70	-400.05	147.95	89.72	-54.63	-31.01
SNB-LI2P	0.01	1.52	172.43	0.85	356.10	0.24	52.81
SNB-LI21	0.00	149.12	-88.64	306.22	-178.41	45.50	-26.68
SNB-LI22	-0.01	-147.95	-89.72	-306.43	-179.51	-45.40	-26.90
SNB-H1aP	-0.01	32.60	-0.12	108.61	-0.09	69.89	-0.10
SNB-H1bP	-0.01	-108.61	0.09	-32.52	0.11	-69.85	0.10
SNB-H1cP	-0.00	32.48	-0.12	108.59	-0.11	69.82	-0.11
SNB-H1dP	0.00	-108.59	0.11	-32.68	0.11	-69.92	0.11
SNB-H1eP	0.01	32.62	-0.11	108.61	-0.13	69.90	-0.12
SNB-H1fP	0.01	-108.61	0.13	-32.50	0.11	-69.84	0.12
SNB-H2aP	-0.04	75.60	0.16	113.88	0.16	70.10	0.12
SNB-H2bP	-0.04	-113.88	-0.16	-74.35	-0.17	-69.64	-0.12
SNB-H2cP	-0.00	75.16	0.14	113.78	0.15	69.90	0.11
SNB-H2dP	-0.00	-113.78	-0.15	-74.99	-0.14	-69.84	-0.11
SNB-H2eP	0.04	74.27	0.17	113.87	0.15	69.61	0.12
SNB-H2fP	0.04	-113.87	-0.15	-75.70	-0.15	-70.14	-0.11
SNB-H3aP	-0.00	121.12	1.05	154.22	1.03	81.36	0.62
SNB-H3bP	-0.00	-154.22	-1.03	-121.18	-1.05	-81.37	-0.62
SNB-H3cP	-0.00	121.14	1.05	154.22	1.09	81.36	0.63
SNB-H3dP	-0.00	-154.22	-1.09	-121.16	-1.05	-81.37	-0.63
SNB-H3eP	0.00	121.19	1.05	154.22	1.04	81.38	0.62
SNB-H3fP	0.00	-154.22	-1.04	-121.11	-1.05	-81.35	-0.62
SNB-H4aP	-0.01	202.04	1.98	247.61	1.96	110.59	0.97
SNB-H4bP	-0.01	-247.61	-1.96	-202.12	-1.98	-110.61	-0.97
SNB-H4cP	-0.00	202.13	1.98	247.59	2.02	110.60	0.98
SNB-H4dP	-0.00	-247.59	-2.02	-202.08	-1.98	-110.59	-0.98
SNB-H4eP	0.01	202.10	1.97	247.61	1.96	110.60	0.97
SNB-H4fP	0.01	-247.61	-1.96	-202.06	-1.97	-110.59	-0.97
SNB-H5aP	-0.00	260.06	2.78	319.51	2.77	122.10	1.17
SNB-H5bP	-0.00	-319.51	-2.77	-260.14	-2.79	-122.12	-1.17
SNB-H5cP	0.00	260.03	2.78	319.51	2.83	122.09	1.18
SNB-H5dP	0.00	-319.51	-2.83	-260.18	-2.78	-122.12	-1.18
SNB-H5eP	0.00	260.21	2.79	319.51	2.77	122.13	1.17
SNB-H5fP	0.00	-319.51	-2.77	-259.99	-2.79	-122.09	-1.17
SNB-H6aP	-0.02	410.25	2.81	492.49	2.80	166.30	1.03
SNB-H6bP	-0.02	-492.49	-2.80	-410.39	-2.81	-166.33	-1.03
SNB-H6cP	0.01	410.22	2.82	492.45	2.85	166.29	1.05
SNB-H6dP	0.01	-492.45	-2.85	-410.51	-2.82	-166.34	-1.04
SNB-H6eP	0.02	410.53	2.81	492.51	2.80	166.36	1.03
SNB-H6fP	0.02	-492.51	-2.80	-410.09	-2.82	-166.28	-1.04
SNB-H7aP	-0.01	640.20	0.71	734.06	0.71	224.93	0.23
SNB-H7bP	-0.01	-734.06	-0.71	-640.38	-0.71	-224.96	-0.23
SNB-H7cP	0.01	640.25	0.71	734.06	0.74	224.94	0.24
SNB-H7dP	0.01	-734.06	-0.74	-640.35	-0.71	-224.95	-0.24
SNB-H7eP	0.00	640.41	0.72	734.08	0.71	224.96	0.23
SNB-H7fP	0.00	-734.08	-0.71	-640.14	-0.72	-224.92	-0.23
SNB-H8aP	0.00	816.38	0.79	889.89	0.79	251.27	0.23
SNB-H8bP	0.00	-889.89	-0.79	-816.48	-0.79	-251.29	-0.23
SNB-H8cP	0.00	816.41	0.80	889.90	0.81	251.28	0.24
SNB-H8dP	0.00	-889.90	-0.81	-816.43	-0.80	-251.28	-0.24
SNB-H8eP	-0.00	816.49	0.79	889.89	0.78	251.29	0.23
SNB-H8fP	-0.00	-889.89	-0.78	-816.36	-0.79	-251.27	-0.23
SNB-H9aP	-0.00	972.21	0.58	1026.52	0.58	267.49	0.15
SNB-H9bP	-0.00	-1026.52	-0.58	-972.35	-0.57	-267.51	-0.15
SNB-H9cP	0.00	972.31	0.58	1026.52	0.59	267.51	0.16
SNB-H9dP	0.00	-1026.52	-0.59	-972.27	-0.58	-267.50	-0.16
SNB-H9eP	0.00	972.33	0.57	1026.52	0.57	267.51	0.15
SNB-H9fP	0.00	-1026.52	-0.57	-972.23	-0.57	-267.50	-0.15

Label	Desc.	Type	Size	Strength	Usage	Use In	Control	Force	Control	Section	Shear	Bearing	Rupture	Tens.	Bolts	Holes	Diameter
				(ksi)	%	%	Member	(kips)	Load Case	Capacity	Capacity	Capacity	Capacity	Member	Tens.		(in)
										(kips)	(kips)	(kips)	(kips)	(ft)			
Rohn-D1	Rohn Diagonal	1	SAE 1.75X1.75X0.1875	36.0	39.87	23.73	Rohn-DA8P	1.8392:	0.9D +	16.022	12.433	13.050	7.750	10.034	1	1.000	0.6875
Rohn-D2	Rohn Diagonal	2	SAE 2X2X0.1875	36.0	84.67	52.01	Rohn-DB7P	4.5612:	0.9D +	18.958	12.433	13.050	8.770	11.238	1	1.000	0.6875
Rohn-D3	Rohn Diagonal	3	SAE 2.5X2.5X0.1875	36.0	79.74	57.60	Rohn-DC3P	5.6371:	1.2D +	25.222	12.433	13.050	9.787	12.798	1	1.000	0.6875
Rohn-D4	Rohn Diagonal	4	SAE 2.5X2.5X0.25	36.0	84.74	53.74	Rohn-DD1P	6.6822:	0.9D +	33.216	12.433	17.400	13.050	13.570	1	1.000	0.6875
Rohn-D5	Rohn Diagonal	5	SAE 3X3X0.25	50.0	76.24	69.10	Rohn-DE5P	8.5922:	0.9D +	46.366	12.433	19.500	14.625	15.589	1	1.000	0.6875
Rohn-D6	Rohn Diagonal	6	SAE 3.5X3.5X0.25	50.0	91.97	81.58	Rohn-DF1P	10.1432:	0.9D +	55.506	12.433	19.500	14.625	17.748	1	1.000	0.6875
Rohn-D7	Rohn Diagonal	7	SAE 4X4X0.25	50.0	80.02	75.46	Rohn-DH2P	9.3822:	0.9D +	64.647	12.433	19.500	14.625	20.058	1	1.000	0.6875
Rohn-L1	Rohn Leg	1	Pipe Pipe3EH	50.0	10.72	3.32	Rohn-LA42	4.2322:	0.9D +	127.350	0.000	0.000	0.000	5.004	0	0.000	0
Rohn-L2	Rohn Leg	2	Pipe Pipe3.5EH	50.0	28.98	9.78	Rohn-LB42	15.1432:	0.9D +	154.800	0.000	0.000	0.000	5.004	0	0.000	0
Rohn-L3	Rohn Leg	3	Pipe Pipe4EH	50.0	50.76	16.31	Rohn-LC32	30.3772:	0.9D +	186.300	0.000	0.000	0.000	6.665	0	0.000	0
Rohn-L4	Rohn Leg	4	Pipe Pipe5STD	50.0	80.43	29.36	Rohn-LD32	53.2382:	0.9D +	181.350	0.000	0.000	0.000	6.665	0	0.000	0
Rohn-L5	Rohn Leg	5	Pipe Pipe5EH	50.0	76.59	28.45	Rohn-LE32	73.2332:	0.9D +	257.400	0.000	0.000	0.000	6.665	0	0.000	0
Rohn-L6	Rohn Leg	6	Pipe Pipe6EHS	50.0	78.92	30.78	Rohn-LF22	92.9452:	0.9D +	301.950	0.000	0.000	0.000	10.008	0	0.000	0
Rohn-L7	Rohn Leg	7	Pipe Pipe6EH	50.0	91.06	36.86	Rohn-LH22	130.6932:	0.9D +	354.599	0.000	0.000	0.000	10.008	0	0.000	0
Rohn-L8	Rohn Leg	8	Pipe Pipe8EHS	50.0	81.91	32.91	Rohn-LI22	146.0312:	0.9D +	443.699	0.000	0.000	0.000	10.008	0	0.000	0
Rohn-H1	Rohn Horizontal	1	SAE 1.75X1.75X0.1875	36.0	2.54	1.11	Rohn-H11	0.2242:	0.9D +	20.088	0.000	0.000	0.000	7.505	0	0.000	0
SNB-D1	SNB Diagonal	1	SAE 2X2X0.3125	36.0	11.96	11.96	SNB-DA7P	1.4871:	1.2D +	30.509	12.433	21.750	14.616	7.240	1	1.000	0.6875
SNB-D2	SNB Diagonal	2	SAE 2X2X0.25	36.0	28.50	28.18	SNB-DB6P	3.2951:	1.2D +	25.060	12.433	17.400	11.693	8.011	1	1.000	0.6875
SNB-D3	SNB Diagonal	3	SAE 2.5X2.5X0.3125	36.0	75.48	71.52	SNB-DD3P	8.8921:	1.2D +	40.623	12.433	21.750	16.312	11.059	1	1.000	0.6875
SNB-D4	SNB Diagonal	4	SAE 3X3X0.5	36.0	70.13	64.97	SNB-DE4P	11.6311:	1.2D +	76.465	17.901	41.760	31.494	12.172	1	1.000	0.8125
SNB-D5	SNB Diagonal	5	SAE 4X4X0.5	36.0	67.44	62.83	SNB-DF2P	11.2471:	1.2D +	109.090	17.901	41.760	31.494	15.014	1	1.000	0.8125
SNB-D6	SNB Diagonal	6	SAE 4X4X0.625	36.0	88.18	73.74	SNB-DH2P	13.2001:	1.2D +	133.834	17.901	52.200	39.367	17.142	1	1.000	0.8125
SNB-D7	SNB Diagonal	7	SAE 5X5X0.625	36.0	0.00	0.00		0.000		0.000	0.000	0.000	0.000	0.000	0	0.000	0
SNB-L1	SNB Leg	1	Pipe P3-437	36.0	7.62	2.32	SNB-LA42	3.1562:	0.9D +	136.080	0.000	0.000	0.000	5.004	0	0.000	0
SNB-L2	SNB Leg	2	Pipe P4-494	36.0	45.68	17.17	SNB-LC32	34.5462:	0.9D +	201.204	0.000	0.000	0.000	6.665	0	0.000	0
SNB-L3	SNB Leg	3	Pipe Pipe5EH	36.0	81.20	33.44	SNB-LD32	61.9712:	0.9D +	185.328	0.000	0.000	0.000	6.665	0	0.000	0
SNB-L4	SNB Leg	4	Pipe P6-562	36.0	90.97	35.22	SNB-LF22	122.0842:	0.9D +	346.679	0.000	0.000	0.000	10.008	0	0.000	0
SNB-L5	SNB Leg	5	Pipe Pipe8XS	36.0	97.93	44.26	SNB-LH22	183.5542:	0.9D +	414.719	0.000	0.000	0.000	10.008	0	0.000	0
SNB-L6	SNB Leg	6	Pipe Pipe10XS	36.0	93.12	41.63	SNB-LI22	217.1712:	0.9D +	521.639	0.000	0.000	0.000	10.008	0	0.000	0
Connect	Connect Towers	BIG	0.1X0.1X1	36.0	0.03	0.03	Connect IP	6.9881:	1.2D +	25919.960	0.000	0.000	0.000	2.002	0	0.000	0
SNB-H1	SNB Horizontal	1	Pipe P3-425	36.0	2.13	1.50	SNB-H4eP	1.9891:	1.2D +	133.002	0.000	0.000	0.000	4.066	0	0.000	0
SNB-H2	SNB Horizontal	2	Pipe P4-494	36.0	3.85	1.81	SNB-H9bP	3.6451:	1.2D +	201.204	0.000	0.000	0.000	7.472	0	0.000	0
Rohn-D8	Rohn Diagonal	8	SAE 2X2X0.375	36.0	0.00	0.00		0.000		0.000	0.000	0.000	0.000	0.000	0	0.000	0
WLAC-1	Wind Lacing	1	SAE 2X2X0.25	36.0	1.64	1.46	SNB-WL-D3P	0.4431:	1.2D +	30.456	0.000	0.000	0.000	4.066	0	0.000	0
WLAC-2	Wind Lacing	2	SAE 2.5X2.5X0.3125	36.0	3.19	1.32	SNB-WL-I3P	0.6251:	1.2D +	47.304	0.000	0.000	0.000	7.472	0	0.000	0
R-D1-MOD	MODIFICATION - L1.75X1.75x3/16	SAE	1.75X1.75X0.1875	50.0	0.00	0.00		0.000		0.000	0.000	0.000	0.000	0.000	0	0.000	0
R-D2-MOD	MODIFICATION - L2X2x3/16	SAE	2X2X0.1875	50.0	0.00	0.00		0.000		0.000	0.000	0.000	0.000	0.000	0	0.000	0
R-D3-MOD	MODIFICATION - L2.5X2.5x1/4	SAE	2.5X2.5X0.25	50.0	85.12	63.22	Rohn-DC5P	7.8602:	0.9D +	37.225	12.433	19.500	14.625	13.177	1	1.000	0.6875
R-D4-MOD	MODIFICATION - L3x3x1/4	SAE	3X3X0.25	50.0	79.91	77.26	Rohn-DD3P	9.6061:	1.2D +	46.366	12.433	19.500	14.625	13.977	1	1.000	0.6875
R-D5-MOD	MODIFICATION - L3X3x1/4	SAE	3X3X0.25	50.0	0.00	0.00		0.000		0.000	0.000	0.000	0.000	0.000	0	0.000	0
R-D6-MOD	MODIFICATION - L3.5X3.5x5/16	SAE	3.5X3.5X0.3125	50.0	0.00	0.00		0.000		0.000	0.000	0.000	0.000	0.000	0	0.000	0
R-D7-MOD	MODIFICATION - L4X4x5/16	SAE	4X4X0.3125	50.0	77.10	69.41	Rohn-DH4P	10.7882:	0.9D +	79.895	15.542	24.375	18.281	20.653	1	1.000	0.6875
S-D1-MOD	MODIFICATION - L2X2x5/16	SAE	2X2X0.3125	50.0	0.00	0.00		0.000		0.000	0.000	0.000	0.000	0.000	0	0.000	0
S-D2-MOD	MODIFICATION - L2x2x1/4	SAE	2X2X0.25	50.0	0.00	0.00		0.000		0.000	0.000	0.000	0.000	0.000	0	0.000	0
S-D3-MOD	MODIFICATION - L2.5X2.5x5/16	SAE	2.5X2.5X0.3125	50.0	0.00	0.00		0.000		0.000	0.000	0.000	0.000	0.000	0	0.000	0
S-D4-MOD	MODIFICATION - L3.5X3.5x3/8	SAE	3.5X3.5X0.375	50.0	0.00	0.00		0.000		0.000	0.000	0.000	0.000	0.000	0	0.000	0
S-D5-MOD	MODIFICATION - L4X4x0.5	SAE	4X4X0.5	50.0	0.00	0.00		0.000		0.000	0.000	0.000	0.000	0.000	0	0.000	0
S-D6-MOD	MODIFICATION - L5X5x3/8	SAE	5X5X0.375	50.0	64.45	57.78	SNB-DG4P	12.9291:	1.2D +	120.850	22.376	35.100	26.471	16.594	1	1.000	0.8125
S-D7-MOD	MODIFICATION - L6X6x3/8	SAE	6X6X0.375	50.0	88.55	76.56	SNB-DI4P	17.1321:	1.2D +	148.272	22.376	35.100	26.471	18.841	1	1.000	0.8125

*** Maximum Stress Summary for Each Load Case

Summary of Maximum Usages by Load Case:

Load Case	Maximum Usage %	Element Label	Element Type
1: 1.2D + 1.0Dg + 1.6Wo	97.93	SNB-LH2P	Angle
2: 0.9D + 1.0Dg + 1.6Wo	96.89	SNB-LH2P	Angle
4: 1.2D + 1.0Dg + 1.0E	12.42	Rohn-LD3P	Angle
5: 0.9D + 1.0Dg + 1.0E	11.00	Rohn-LD3P	Angle
6: Service 1.0D + 1.0Dg + 1.0 Wo	24.09	SNB-LH1P	Angle

1.2*DL	5.66	Rohn-LD3P	Angle
0.9DL	4.25	Rohn-LD3P	Angle

*** Weight of structure (lbs):
Weight of Angles*Section DLF: 61800.0
Weight of Equipment: 12631.6
Total: 74431.6

*** End of Report

"0 DEG" "+60 DEG" "-60 DEG" "+90 DEG" "-90 DEG" "180 DEG" Max Tension
(Kips)

		"0 DEG"	"+60 DEG"	"-60 DEG"	"+90 DEG"	"-90 DEG"	"180 DEG"	Max Tension (Kips)					Cap Percentage	
									# Bolts	Dia Bolt	LRFD	Capacity	Capacity	
Rohn-L1	Rohn-LA1P	0	0	0	0	0	0.724	0.724						
Rohn-L1	Rohn-LA11	0.136	0.544	0	0.457	0	0	0.544						
Rohn-L1	Rohn-LA12	0.19	0	0.681	0	0.541	0	0.681						
Rohn-L1	Rohn-LA2P	0	0	0	0	0	2.866	2.866						
Rohn-L1	Rohn-LA21	1.337	3.058	0	2.623	0	0	3.058						
Rohn-L1	Rohn-LA22	1.103	0	2.769	0	2.379	0	2.769						
Rohn-L1	Rohn-LA3P	0	0	0	0	0	5.911	5.911						
Rohn-L1	Rohn-LA31	2.729	6.009	0	5.174	0	0	6.009						
Rohn-L1	Rohn-LA32	2.566	0	5.745	0	4.959	0	5.745						
Rohn-L1	Rohn-LA4P	0	0	0	0	0	9.192	9.192						
Rohn-L1	Rohn-LA41	4.146	8.712	0	7.475	0	0	8.712						
Rohn-L1	Rohn-LA42	4.244	0	8.805	0	7.522	0	8.805						
Rohn-L2	Rohn-LB1P	0	0	0	0	0	12.811	12.811	4	0.75	LRFD	29.8	119.2	OK 11%
Rohn-L2	Rohn-LB11	6.153	13.063	0	11.245	0	0	13.063	4	0.75	LRFD	29.8	119.2	OK 11%
Rohn-L2	Rohn-LB12	6.245	0	13.06	0	11.207	0	13.06	4	0.75	LRFD	29.8	119.2	OK 11%
Rohn-L2	Rohn-LB2P	0	0	0	0	0	17.68	17.68	4	0.75	LRFD	29.8	119.2	OK 15%
Rohn-L2	Rohn-LB21	8.54	18.046	0	15.64	0	0	18.046	4	0.75	LRFD	29.8	119.2	OK 15%
Rohn-L2	Rohn-LB22	8.695	0	18.086	0	15.612	0	18.086	4	0.75	LRFD	29.8	119.2	OK 15%
Rohn-L2	Rohn-LB3P	0	0	0	0	0	23.309	23.309	4	0.75	LRFD	29.8	119.2	OK 20%
Rohn-L2	Rohn-LB31	11.034	23.605	0	20.383	0	0	23.605	4	0.75	LRFD	29.8	119.2	OK 20%
Rohn-L2	Rohn-LB32	11.2	0	23.628	0	20.328	0	23.628	4	0.75	LRFD	29.8	119.2	OK 20%
Rohn-L2	Rohn-LB4P	0	0	0	0	0	31.258	31.258	4	0.75	LRFD	29.8	119.2	OK 26%
Rohn-L2	Rohn-LB41	15.015	31.542	0	27.281	0	0	31.542	4	0.75	LRFD	29.8	119.2	OK 26%
Rohn-L2	Rohn-LB42	15.195	0	31.558	0	27.208	0	31.558	4	0.75	LRFD	29.8	119.2	OK 26%
Rohn-L3	Rohn-LC1P	0	0	0	0	0	39.147	39.147	4	0.875	LRFD	40.6	162.4	OK 24%
Rohn-L3	Rohn-LC11	18.931	39.503	0	34.212	0	0	39.503	4	0.875	LRFD	40.6	162.4	OK 24%
Rohn-L3	Rohn-LC12	19.156	0	39.549	0	34.147	0	39.549	4	0.875	LRFD	40.6	162.4	OK 24%
Rohn-L3	Rohn-LC2P	0	0	0	0	0	49.616	49.616	4	0.875	LRFD	40.6	162.4	OK 31%
Rohn-L3	Rohn-LC21	23.834	49.756	0	43.058	0	0	49.756	4	0.875	LRFD	40.6	162.4	OK 31%
Rohn-L3	Rohn-LC22	24.067	0	49.783	0	42.95	0	49.783	4	0.875	LRFD	40.6	162.4	OK 31%
Rohn-L3	Rohn-LC3P	0	0	0	0	0	63.24	63.24	4	0.875	LRFD	40.6	162.4	OK 39%
Rohn-L3	Rohn-LC31	30.324	63.434	0	54.85	0	0	63.434	4	0.875	LRFD	40.6	162.4	OK 39%
Rohn-L3	Rohn-LC32	30.504	0	63.369	0	54.666	0	63.369	4	0.875	LRFD	40.6	162.4	OK 39%

Rohn-L4 Rohn-LD1P	0	0	0	0	0	77.52	77.52	4	1	53	212 OK	37%
Rohn-L4 Rohn-LD11	37.384	77.728	0	67.265	0	0	77.728	4	1	53	212 OK	37%
Rohn-L4 Rohn-LD12	37.645	0	77.73	0	67.135	0	77.73	4	1	53	212 OK	37%
Rohn-L4 Rohn-LD2P	0	0	0	0	0	92.759	92.759	4	1	53	212 OK	44%
Rohn-L4 Rohn-LD21	44.646	92.927	0	80.358	0	0	92.927	4	1	53	212 OK	44%
Rohn-L4 Rohn-LD22	44.968	0	92.978	0	80.246	0	92.978	4	1	53	212 OK	44%
Rohn-L4 Rohn-LD3P	0	0	0	0	0	109.448	109.448	4	1	53	212 OK	52%
Rohn-L4 Rohn-LD31	53.182	109.722	0	94.994	0	0	109.722	4	1	53	212 OK	52%
Rohn-L4 Rohn-LD32	53.493	0	109.749	0	94.858	0	109.749	4	1	53	212 OK	52%
Rohn-L5 Rohn-LE1P	0	0	0	0	0	123.139	123.139	4	1	53	212 OK	58%
Rohn-L5 Rohn-LE11	59.91	123.351	0	106.809	0	0	123.351	4	1	53	212 OK	58%
Rohn-L5 Rohn-LE12	60.236	0	123.389	0	106.676	0	123.389	4	1	53	212 OK	58%
Rohn-L5 Rohn-LE2P	0	0	0	0	0	136.363	136.363	4	1	53	212 OK	64%
Rohn-L5 Rohn-LE21	66.505	136.571	0	118.283	0	0	136.571	4	1	53	212 OK	64%
Rohn-L5 Rohn-LE22	66.808	0	136.575	0	118.124	0	136.575	4	1	53	212 OK	64%
Rohn-L5 Rohn-LE3P	0	0	0	0	0	149.74	149.74	4	1	53	212 OK	71%
Rohn-L5 Rohn-LE31	73.271	149.932	0	129.956	0	0	149.932	4	1	53	212 OK	71%
Rohn-L5 Rohn-LE32	73.691	0	150.057	0	129.869	0	150.057	4	1	53	212 OK	71%
Rohn-L6 Rohn-LF1P	0	0	0	0	0	168.17	168.17	6	1	53	318 OK	53%
Rohn-L6 Rohn-LF11	82.359	168.362	0	145.923	0	0	168.362	6	1	53	318 OK	53%
Rohn-L6 Rohn-LF12	82.64	0	168.332	0	145.689	0	168.332	6	1	53	318 OK	53%
Rohn-L6 Rohn-LF2P	0	0	0	0	0	189.868	189.868	6	1	53	318 OK	60%
Rohn-L6 Rohn-LF21	93.387	190.015	0	164.79	0	0	190.015	6	1	53	318 OK	60%
Rohn-L6 Rohn-LF22	93.698	0	190.001	0	164.565	0	190.001	6	1	53	318 OK	60%
Rohn-L7 Rohn-LG1P	0	0	0	0	0	209.98	209.98	6	1	53	318 OK	66%
Rohn-L7 Rohn-LG11	103.297	210.148	0	182.269	0	0	210.148	6	1	53	318 OK	66%
Rohn-L7 Rohn-LG12	103.599	0	210.117	0	182.002	0	210.117	6	1	53	318 OK	66%
Rohn-L7 Rohn-LG2P	0	0	0	0	0	229.354	229.354	6	1	53	318 OK	72%
Rohn-L7 Rohn-LG21	113.159	229.543	0	199.142	0	0	229.543	6	1	53	318 OK	72%
Rohn-L7 Rohn-LG22	113.365	0	229.392	0	198.799	0	229.392	6	1	53	318 OK	72%
Rohn-L7 Rohn-LH1P	0	0	0	0	0	248.08	248.08	6	1	53	318 OK	78%
Rohn-L7 Rohn-LH11	122.383	248.247	0	215.39	0	0	248.247	6	1	53	318 OK	78%
Rohn-L7 Rohn-LH12	122.655	0	248.154	0	215.082	0	248.154	6	1	53	318 OK	78%
Rohn-L7 Rohn-LH2P	0	0	0	0	0	267.443	267.443	6	1	53	318 OK	84.10%
Rohn-L7 Rohn-LH21	132.224	267.604	0	232.272	0	0	267.604	6	1	53	318 OK	84.15%
Rohn-L7 Rohn-LH22	132.51	0	267.513	0	231.962	0	267.513	6	1	53	318 OK	84.12%
Rohn-L8 Rohn-LI1P	0	0	0	0	0	284.562	284.562	8	1	53	424 OK	67%
Rohn-L8 Rohn-LI11	140.643	284.715	0	247.133	0	0	284.715	8	1	53	424 OK	67%
Rohn-L8 Rohn-LI12	140.949	0	284.634	0	246.827	0	284.634	8	1	53	424 OK	67%
Rohn-L8 Rohn-LI2P	0	0	0	0	0	299.567	299.567	8	1	53	424 OK	71%
Rohn-L8 Rohn-LI21	148.151	299.715	0	260.19	0	0	299.715	8	1	53	424 OK	71%
Rohn-L8 Rohn-LI22	148.469	0	299.638	0	259.884	0	299.638	8	1	53	424 OK	71%

SNB-L1	SNB-LA1P	0	0	0	0	0	0.175	0.175											84%
SNB-L1	SNB-LA11	0	0	0	0	0	0	0											
SNB-L1	SNB-LA12	0	0	0.204	0	0.173	0	0.204											
SNB-L1	SNB-LA2P	0	0	0	0	0	1.265	1.265											
SNB-L1	SNB-LA21	0.543	1.36	0	1.113	0	0	1.36											
SNB-L1	SNB-LA22	0.542	0	1.262	0	0.987	0	1.262											
SNB-L1	SNB-LA3P	0	0	0	0	0	3.664	3.664											
SNB-L1	SNB-LA31	1.706	3.84	0	3.295	0	0	3.84											
SNB-L1	SNB-LA32	1.715	0	3.639	0	3.043	0	3.639											
SNB-L1	SNB-LA4P	0	0	0	0	0	6.836	6.836											
SNB-L1	SNB-LA41	3.05	6.723	0	5.859	0	0	6.723											
SNB-L1	SNB-LA42	3.162	0	6.949	0	6.047	0	6.949											
SNB-L2	SNB-LB1P	0	0	0	0	0	10.924	10.924	4	0.75	29.8	119.2	OK						9%
SNB-L2	SNB-LB11	5.154	11.149	0	9.651	0	0	11.149	4	0.75	29.8	119.2	OK						9%
SNB-L2	SNB-LB12	5.245	0	11.143	0	9.587	0	11.143	4	0.75	29.8	119.2	OK						9%
SNB-L2	SNB-LB2P	0	0	0	0	0	17.03	17.03	4	0.75	29.8	119.2	OK						14%
SNB-L2	SNB-LB21	8.248	17.175	0	14.859	0	0	17.175	4	0.75	29.8	119.2	OK						14%
SNB-L2	SNB-LB22	8.359	0	17.168	0	14.784	0	17.168	4	0.75	29.8	119.2	OK						14%
SNB-L2	SNB-LB3P	0	0	0	0	0	24.207	24.207	4	0.75	29.8	119.2	OK						20%
SNB-L2	SNB-LB31	11.845	24.369	0	21.133	0	0	24.369	4	0.75	29.8	119.2	OK						20%
SNB-L2	SNB-LB32	11.993	0	24.363	0	21.041	0	24.363	4	0.75	29.8	119.2	OK						20%
SNB-L2	SNB-LB4P	0	0	0	0	0	31.664	31.664	4	0.75	29.8	119.2	OK						27%
SNB-L2	SNB-LB41	15.618	31.896	0	27.696	0	0	31.896	4	0.75	29.8	119.2	OK						27%
SNB-L2	SNB-LB42	15.803	0	31.904	0	27.599	0	31.904	4	0.75	29.8	119.2	OK						27%
SNB-L2	SNB-LC1P	0	0	0	0	0	41.432	41.432	4	0.875	40.6	162.4	OK						26%
SNB-L2	SNB-LC11	20.491	41.737	0	36.21	0	0	41.737	4	0.875	40.6	162.4	OK						26%
SNB-L2	SNB-LC12	20.69	0	41.75	0	36.112	0	41.75	4	0.875	40.6	162.4	OK						26%
SNB-L2	SNB-LC2P	0	0	0	0	0	55.894	55.894	4	0.875	40.6	162.4	OK						34%
SNB-L2	SNB-LC21	27.606	56.104	0	48.71	0	0	56.104	4	0.875	40.6	162.4	OK						35%
SNB-L2	SNB-LC22	27.833	0	56.11	0	48.587	0	56.11	4	0.875	40.6	162.4	OK						35%
SNB-L2	SNB-LC3P	0	0	0	0	0	69.32	69.32	4	0.875	40.6	162.4	OK						43%
SNB-L2	SNB-LC31	34.38	69.393	0	60.316	0	0	69.393	4	0.875	40.6	162.4	OK						43%
SNB-L2	SNB-LC32	34.663	0	69.408	0	60.174	0	69.408	4	0.875	40.6	162.4	OK						43%
SNB-L3	SNB-LD1P	0	0	0	0	0	85.465	85.465	4	1	53	212	OK						40%
SNB-L3	SNB-LD11	42.393	85.595	0	74.35	0	0	85.595	4	1	53	212	OK						40%
SNB-L3	SNB-LD12	42.707	0	85.626	0	74.21	0	85.626	4	1	53	212	OK						40%
SNB-L3	SNB-LD2P	0	0	0	0	0	106.052	106.052	4	1	53	212	OK						50%
SNB-L3	SNB-LD21	52.664	106.256	0	92.295	0	0	106.256	4	1	53	212	OK						50%
SNB-L3	SNB-LD22	52.985	0	106.269	0	92.131	0	106.269	4	1	53	212	OK						50%
SNB-L3	SNB-LD3P	0	0	0	0	0	123.904	123.904	4	1	53	212	OK						58%
SNB-L3	SNB-LD31	61.874	124.169	0	107.911	0	0	124.169	4	1	53	212	OK						59%
SNB-L3	SNB-LD32	62.212	0	124.176	0	107.731	0	124.176	4	1	53	212	OK						59%

SNB-L4	SNB-LE1P	0	0	0	0	0	145.588	145.588	4	1	53	212 OK	69%
SNB-L4	SNB-LE11	72.584	145.812	0	126.699	0	0	145.812	4	1	53	212 OK	69%
SNB-L4	SNB-LE12	72.966	0	145.844	0	126.519	0	145.844	4	1	53	212 OK	69%
SNB-L4	SNB-LE2P	0	0	0	0	0	171.097	171.097	4	1	53	212 OK	81%
SNB-L4	SNB-LE21	85.41	171.323	0	148.884	0	0	171.323	4	1	53	212 OK	81%
SNB-L4	SNB-LE22	85.809	0	171.33	0	148.663	0	171.33	4	1	53	212 OK	81%
SNB-L4	SNB-LE3P	0	0	0	0	0	190.836	190.836	4	1	53	212 OK	90%
SNB-L4	SNB-LE31	95.634	191.056	0	166.104	0	0	191.056	4	1	53	212 OK	90%
SNB-L4	SNB-LE32	95.978	0	191.009	0	165.844	0	191.009	4	1	53	212 OK	90%
SNB-L4	SNB-LF1P	0	0	0	0	0	215.579	215.579	6	1	53	318 OK	68%
SNB-L4	SNB-LF11	107.641	215.797	0	187.515	0	0	215.797	6	1	53	318 OK	68%
SNB-L4	SNB-LF12	108.006	0	215.746	0	187.229	0	215.746	6	1	53	318 OK	68%
SNB-L4	SNB-LF2P	0	0	0	0	0	244.856	244.856	6	1	53	318 OK	77%
SNB-L4	SNB-LF21	122.568	245.079	0	213.056	0	0	245.079	6	1	53	318 OK	77%
SNB-L4	SNB-LF22	122.933	0	245.003	0	212.733	0	245.003	6	1	53	318 OK	77%
SNB-L5	SNB-LG1P	0	0	0	0	0	274.497	274.497	6	1	53	318 OK	86%
SNB-L5	SNB-LG11	137.317	274.712	0	238.804	0	0	274.712	6	1	53	318 OK	86%
SNB-L5	SNB-LG12	137.685	0	274.634	0	238.469	0	274.634	6	1	53	318 OK	86%
SNB-L5	SNB-LG2P	0	0	0	0	0	307.203	307.203	6	1	53	318 OK	96.60%
SNB-L5	SNB-LG21	154.035	307.405	0	267.358	0	0	307.405	6	1	53	318 OK	96.67%
SNB-L5	SNB-LG22	154.464	0	307.342	0	267.003	0	307.342	6	1	53	318 OK	96.65%
SNB-L5	SNB-LH1P	0	0	0	0	0	337.988	337.988	6	1	53	318 No Good - Replace Bolt	106%
SNB-L5	SNB-LH11	169.299	338.182	0	294.091	0	0	338.182	6	1	53	318 No Good - Replace Bolt	106%
SNB-L5	SNB-LH12	169.739	0	338.122	0	293.733	0	338.122	6	1	53	318 No Good - Replace Bolt	106%
SNB-L5	SNB-LH2P	0	0	0	0	0	369.807	369.807	6	1	53	318 No Good - Replace Bolt	116%
SNB-L5	SNB-LH21	185.64	369.997	0	321.885	0	0	369.997	6	1	53	318 No Good - Replace Bolt	116%
SNB-L5	SNB-LH22	186.092	0	369.928	0	321.51	0	369.928	6	1	53	318 No Good - Replace Bolt	116%
SNB-L6	SNB-LI1P	0	0	0	0	0	402.128	402.128	8	1	53	424 OK	95%
SNB-L6	SNB-LI11	201.804	402.309	0	350.012	0	0	402.309	8	1	53	424 OK	95%
SNB-L6	SNB-LI12	202.272	0	402.24	0	349.63	0	402.24	8	1	53	424 OK	95%
SNB-L6	SNB-LI2P	0	0	0	0	0	438.404	438.404	8	1	53	424 No Good - Replace Bolt	103%
SNB-L6	SNB-LI21	220.514	438.578	0	381.735	0	0	438.578	8	1	53	424 No Good - Replace Bolt	103%
SNB-L6	SNB-LI22	221.001	0	438.51	0	381.346	0	438.51	8	1	53	424 No Good - Replace Bolt	103%

Replaced Existing A325 Bolts with A490 Bolts

		Bolt Tension										Cap Percentage	
										Capacity		Factored Tensile Capacity	
										# Bolts Dia Bolt LRFD			
SNB-L5	SNB-LH1P	0	0	0	0	0	337.988	337.988	6	1	66.6	399.6 OK	85%
SNB-L5	SNB-LH11	169.299	338.182	0	294.091	0	0	338.182	6	1	66.6	399.6 OK	85%
SNB-L5	SNB-LH12	169.739	0	338.122	0	293.733	0	338.122	6	1	66.6	399.6 OK	85%
SNB-L5	SNB-LH2P	0	0	0	0	0	369.807	369.807	6	1	66.6	399.6 OK	93%
SNB-L5	SNB-LH21	185.64	369.997	0	321.885	0	0	369.997	6	1	66.6	399.6 OK	93%
SNB-L5	SNB-LH22	186.092	0	369.928	0	321.51	0	369.928	6	1	66.6	399.6 OK	93%
SNB-L6	SNB-LI1P	0	0	0	0	0	402.128	402.128	8	1	66.6	532.8 OK	75%
SNB-L6	SNB-LI11	201.804	402.309	0	350.012	0	0	402.309	8	1	66.6	532.8 OK	76%
SNB-L6	SNB-LI12	202.272	0	402.24	0	349.63	0	402.24	8	1	66.6	532.8 OK	75%
SNB-L6	SNB-LI2P	0	0	0	0	0	438.404	438.404	8	1	66.6	532.8 OK	82%
SNB-L6	SNB-LI21	220.514	438.578	0	381.735	0	0	438.578	8	1	66.6	532.8 OK	82%
SNB-L6	SNB-LI22	221.001	0	438.51	0	381.346	0	438.51	8	1	66.6	532.8 OK	82%

CONNECTION BETWEEN TOWERS EVALUATION



SUMMARY OF CONNECTION FORCES FOR ALL WIND ANGLES AND LOAD COMBINATIONS

Loads Without Ice (V.asd wind Speed = 101 MPH)

Wind Angle	Force @ "Connection"
0 Deg	7.1481 kips
+60 Deg	5.5872 kips
-60 Deg	5.5922 kips
+90 Deg	6.0271 kips
-90 Deg	6.0291 kips

Loads With Design Ice 2.25 inch ("V" wind Speed = 50 MPH)

Wind Angle	Force @ "Connection"
0 Deg	8.9903 kips
+60 Deg	8.1373 kips
-60 Deg	8.1383 kips
+90 Deg	8.6773 kips
-90 Deg	8.6823 kips

Job	<u>180' ROHN SSV Tower w/ SNB Reinf. - Greenwich</u>	Project No.	<u>Revision 4</u>	Sheet	<u>1</u>	of	<u>1</u>
Description	<u>Tower Connection - TIA-222-G Loads on Connection</u>	Computed by	<u>MCD</u>	Date	<u>07/31/19</u>		
		Checked by	<u> </u>	Date	<u> </u>		

Bolt Diameter	$\text{Dia}_{\text{bolt}} := \frac{3}{4} \text{ in}$		
Bolt Shear Capacity	$\text{Capacity}_{\text{bolt}} := 6.64 \text{ kip}$	Per AISC 15th Edition p. 7-24 for 3/4" A325 slip critical bolt (Considered as Long Slotted Hole) - LRFD	
Shear Plane Area	$\text{Area}_{\text{plate}} := \frac{3}{8} \text{ in} \cdot \left(\frac{3}{4} \text{ in} + 1 \text{ in} \right)$	$\text{Area}_{\text{plate}} = 0.6563 \text{ in}^2$	
Yield Strength of Plate	$F_{y\text{plate}} := 36 \text{ ksi}$	$\phi := 1.0$	LRFD Reduction Factor - AISC Chapter J
Plate Capacity	$\text{Capacity}_{\text{plate}} := 0.6 \text{ Area}_{\text{plate}} \cdot F_{y\text{plate}} \cdot \phi$	$\text{Capacity}_{\text{plate}} = 14.175 \text{ kip}$	
U-Bolt Size	$\text{Dia}_{\text{ubolt}} := \frac{1}{2} \text{ in}$		
U-Bolt Area	$\text{Area}_{\text{ubolt}} := 2 \cdot \pi \left(\frac{\text{Dia}_{\text{ubolt}}}{2} \right)^2$	$\text{Area}_{\text{ubolt}} = 0.3927 \text{ in}^2$	
	$F_{y\text{ubolt}} := 58 \text{ ksi}$		
	$\phi := 0.75$	LRFD Reduction Factor - AISC Chapter J	
	$\text{Capacity}_{\text{ubolt}} := (0.75 \text{ Area}_{\text{ubolt}} \cdot F_{y\text{ubolt}}) \cdot \phi$	$\text{Capacity}_{\text{ubolt}} = 12.8118 \text{ kip}$	
Connection Capacity	$\text{Capacity}_{\text{connection}} := \min(\text{Capacity}_{\text{bolt}}, \text{Capacity}_{\text{plate}}, \text{Capacity}_{\text{ubolt}})$		
	$\text{Capacity}_{\text{connection}} = 6.64 \text{ kip}$		
Max Connection Spacing	$\text{Spacing} := 5 \text{ ft}$		
Connection Capacity per Foot	$\text{Capacity}_{\text{LF}} := \frac{\text{Capacity}_{\text{connection}}}{\text{Spacing}}$	$\text{Capacity}_{\text{LF}} = 1.328 \frac{\text{kip}}{\text{ft}}$	
Max Connection Force (Tension):	$F_{\text{max}} := 8.9903 \text{ kip}$	NOTE: Force obtained from TIA-222-G Load Combination #3 (PLS-TOWER program)	
Connection Spacing in PLS-Tower	$\text{Spacing}_{\text{PLS.Tower}} := 10 \text{ ft}$		
Connection Force per Foot	$\text{Force}_{\text{LF}} := \frac{F_{\text{max}}}{\text{Spacing}_{\text{PLS.Tower}}}$	$\text{Force}_{\text{LF}} = 0.899 \cdot \text{kip}$	
Percent Capacity	$\text{Percent}_{\text{capacity}} := \frac{\text{Force}_{\text{LF}}}{\text{Capacity}_{\text{LF}}}$	$\text{Percent}_{\text{capacity}} = 67.7\%$	

FOUNDATION EVALUATION



From PLS-Tower Output Summary

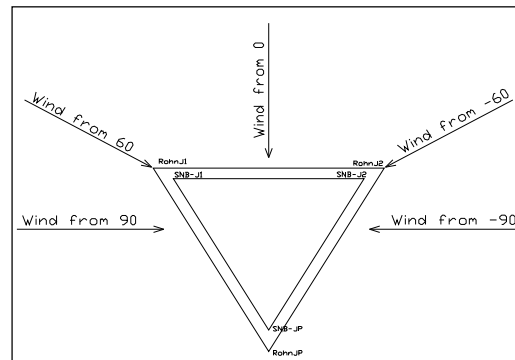
Summary of Joint Support Reactions For All Load Cases:

Load Case	Joint Label	Long. Force (kips)	Tran. Force (kips)	Vert. Force (kips)	Shear Force (kips)	Tran. Moment (ft-k)	Long. Moment (ft-k)	Vert. Moment (ft-k)	Bending Moment (ft-k)	Found. Usage %
"-90"	2: 0.9D + 1.0Dg + 1.6Wo RohnJP	-0.64	3.89	14.64	3.95	-0.36	-0.21	0.01	0.42	0
	2: 0.9D + 1.0Dg + 1.6Wo SNB-JP	-0.26	6.4	13.63	6.41	0.64	-0.37	0.05	0.74	0
	2: 0.9D + 1.0Dg + 1.6Wo RohnJ1	10.99	22.09	295.57	24.67	-3.91	2.44	0.01	4.61	0
	2: 0.9D + 1.0Dg + 1.6Wo RohnJ2	-10.29	20.94	-265.94	23.33	-3.7	-2.04	0.02	4.23	0
	2: 0.9D + 1.0Dg + 1.6Wo SNB-J1	18.56	38.53	426.37	42.77	-9.48	6.04	-0.03	11.24	0
"-60"	2: 0.9D + 1.0Dg + 1.6Wo SNB-J2	-18.3	38.08	-398.37	42.25	-9.08	-5.44	-0.02	10.59	0
	2: 0.9D + 1.0Dg + 1.6Wo RohnJP	-14.32	3.35	175.32	14.71	-0.21	-2.73	0.01	2.74	0
	2: 0.9D + 1.0Dg + 1.6Wo SNB-JP	-24.45	5.46	249.58	25.05	0.73	-6.59	0.05	6.63	0
	2: 0.9D + 1.0Dg + 1.6Wo RohnJ1	4.76	13.82	175.56	14.61	-2.32	1.45	0.01	2.74	0
	2: 0.9D + 1.0Dg + 1.6Wo RohnJ2	-13.59	22.96	-306.61	26.68	-4.14	-2.56	0.01	4.87	0
"0"	2: 0.9D + 1.0Dg + 1.6Wo SNB-J1	7.53	23.93	249.98	25.09	-5.34	3.94	-0.05	6.64	0
	2: 0.9D + 1.0Dg + 1.6Wo SNB-J2	-24.08	41.7	-457.94	48.16	-10.53	-6.08	0	12.16	0
	2: 0.9D + 1.0Dg + 1.6Wo RohnJP	-29.23	0.11	347.71	29.23	-0.06	-5.45	-0.01	5.45	0
	2: 0.9D + 1.0Dg + 1.6Wo SNB-JP	-50.83	0	503.36	50.83	0	-13.3	0	13.3	0
	2: 0.9D + 1.0Dg + 1.6Wo RohnJ1	-9.58	-10.2	-151.56	13.99	1.95	-1.46	0	2.44	0
"60"	2: 0.9D + 1.0Dg + 1.6Wo RohnJ2	-9.78	10.11	-151.89	14.07	-1.9	-1.56	-0.01	2.46	0
	2: 0.9D + 1.0Dg + 1.6Wo SNB-J1	-17.53	-18.77	-230.61	25.69	5.49	-2.76	-0.03	6.14	0
	2: 0.9D + 1.0Dg + 1.6Wo SNB-J2	-17.55	18.81	-231.11	25.72	-5.5	-2.77	0.03	6.16	0
	2: 0.9D + 1.0Dg + 1.6Wo RohnJP	-14.35	-3.24	175.73	14.71	0.16	-2.73	-0.02	2.74	0
	2: 0.9D + 1.0Dg + 1.6Wo SNB-JP	-24.49	-5.46	250.14	25.09	-0.73	-6.6	-0.05	6.64	0
"90"	2: 0.9D + 1.0Dg + 1.6Wo RohnJ1	-13.5	-23.01	-306.69	26.68	4.17	-2.51	-0.01	4.86	0
	2: 0.9D + 1.0Dg + 1.6Wo RohnJ2	4.66	-13.85	175.23	14.61	2.35	1.4	-0.01	2.73	0
	2: 0.9D + 1.0Dg + 1.6Wo SNB-J1	-24.08	-41.7	-458.01	48.16	10.54	-6.08	0	12.16	0
	2: 0.9D + 1.0Dg + 1.6Wo SNB-J2	7.51	-23.9	249.49	25.05	5.33	3.94	0.05	6.63	0
	2: 0.9D + 1.0Dg + 1.6Wo RohnJP	-0.67	-3.89	15.12	3.95	0.36	-0.22	-0.01	0.42	0
"0.9*DL"	2: 0.9D + 1.0Dg + 1.6Wo SNB-JP	-0.3	-6.4	14.26	6.41	-0.65	-0.39	-0.05	0.75	0
	2: 0.9D + 1.0Dg + 1.6Wo RohnJ1	-10.3	-20.95	-266.25	23.34	3.7	-2.04	-0.02	4.23	0
	2: 0.9D + 1.0Dg + 1.6Wo RohnJ2	10.98	-22.07	295.4	24.66	3.91	2.44	-0.01	4.61	0
	2: 0.9D + 1.0Dg + 1.6Wo SNB-J1	-18.31	-38.1	-398.77	42.27	9.09	-5.44	0.01	10.6	0
	2: 0.9D + 1.0Dg + 1.6Wo SNB-J2	18.55	-38.51	426.13	42.75	9.47	6.04	0.03	11.24	0
"0.9*DL"	0.9DL RohnJP	-0.8	0	14.92	0.8	0	-0.21	0	0.21	0
	0.9DL SNB-JP	-0.41	0	13.89	0.41	0	-0.36	0	0.36	0
	0.9DL RohnJ1	0.4	0.69	14.77	0.8	-0.18	0.1	0	0.21	0
	0.9DL RohnJ2	0.4	-0.69	14.84	0.8	0.18	0.1	0	0.21	0
	0.9DL SNB-J1	0.21	0.35	13.71	0.41	-0.31	0.18	0	0.35	0
0.9DL SNB-J2	0.21	-0.36	13.78	0.41	0.31	0.18	0	0.36	0	

Load Case	Joint Label	Vert. Tower Forces (k)	Leg Moment Arm (ft)	Moment (ft-k)	Total Moment (ft-k)	Shear (k)	Total Shear (k)
-90 deg	RohnJP	-0.28	0.00	0.00	14183.0	3.95	143.4
-90 deg	SNB-JP	-0.26	0.00	0.00		6.41	
-90 deg	RohnJ1	280.8	11.42	3206.74		24.67	
-90 deg	RohnJ2	-280.78	-11.42	3206.51		23.33	
-90 deg	SNB-J1	412.66	9.42	3887.26		42.77	
-90 deg	SNB-J2	-412.15	-9.42	3882.45		42.25	
-60 deg	RohnJP	160.4	6.60	1058.64	14056.3	14.71	154.3
-60 deg	SNB-JP	235.69	5.44	1282.15		25.05	
-60 deg	RohnJ1	160.79	6.60	1061.21		14.61	
-60 deg	RohnJ2	-321.45	-13.18	4236.71		26.68	
-60 deg	SNB-J1	236.27	5.44	1285.31		25.09	
-60 deg	SNB-J2	-471.72	-10.88	5132.31		48.16	
0 deg	RohnJP	332.79	13.18	4386.17	14571.1	29.23	159.5
0 deg	SNB-JP	489.47	10.88	5325.43		50.83	
0 deg	RohnJ1	-166.33	-6.60	1097.78		13.99	
0 deg	RohnJ2	-166.73	-6.60	1100.42		14.07	
0 deg	SNB-J1	-244.32	-5.44	1329.10		25.69	
0 deg	SNB-J2	-244.89	-5.44	1332.20		25.72	
+60 deg	RohnJP	160.81	6.60	1061.35	14056.5	14.71	154.3
+60 deg	SNB-JP	236.25	5.44	1285.20		25.09	
+60 deg	RohnJ1	-321.46	-13.18	4236.84		26.68	
+60 deg	RohnJ2	160.39	6.60	1058.57		14.61	
+60 deg	SNB-J1	-471.72	-10.88	5132.31		48.16	
+60 deg	SNB-J2	235.71	5.44	1282.26		25.05	
+90 deg	RohnJP	0.2	0.00	0.00	14183.1	3.95	143.4
+90 deg	SNB-JP	0.37	0.00	0.00		6.41	
+90 deg	RohnJ1	-281.02	-11.42	3209.25		23.34	
+90 deg	RohnJ2	280.56	11.42	3204.00		24.66	
+90 deg	SNB-J1	-412.48	-9.42	3885.56		42.27	
+90 deg	SNB-J2	412.35	9.42	3884.34		42.75	

Forces taken from PLS-Tower output with 0.9*DL Only load case subtracted from Vertical Tower Forces

Dimensions taken from CAD drawing





Job	180' ROHN SSV Tower w/ SNB Reinf. - Greenwich	Project No.	Revision 4	Page	_____ of _____
Description	Overturing Moment Calculation	Computed by	MCD	Sheet	_____ of _____
	TIA-222-G Load Case #3	Checked by		Date	07/31/19

From PLS-Tower Output Summary

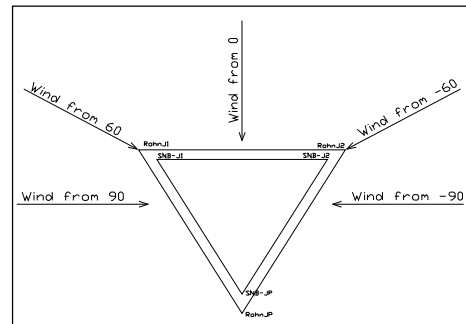
Summary of Joint Support Reactions For All Load Cases:

Load Case	Joint Label	Long. Force (kips)	Tran. Force (kips)	Vert. Force (kips)	Shear Force (kips)	Tran. Moment (ft-k)	Long. Moment (ft-k)	Vert. Moment (ft-k)	Bending Moment (ft-k)	Found. Usage %
"-90"	3: 1.2D + 1.0Dg + 1.0 Di + 1.0 Wi + 1.0 Ti RohnJP	-1.09	1.54	188.79	1.88	0.03	1.15	0.01	1.15	0
	3: 1.2D + 1.0Dg + 1.0 Di + 1.0 Wi + 1.0 Ti SNB-JP	2.4	2.16	218.94	3.23	0.44	3.46	0.02	3.49	0
	3: 1.2D + 1.0Dg + 1.0 Di + 1.0 Wi + 1.0 Ti RohnJ1	4.68	9.53	294.91	10.62	-0.37	0.28	0	0.46	0
	3: 1.2D + 1.0Dg + 1.0 Di + 1.0 Wi + 1.0 Ti RohnJ2	-3.59	7.64	82.38	8.44	-2.38	-1.4	0	2.76	0
	3: 1.2D + 1.0Dg + 1.0 Di + 1.0 Wi + 1.0 Ti SNB-J1	5.44	11.56	372.08	12.78	-0.31	0.47	-0.01	0.56	0
"-60"	3: 1.2D + 1.0Dg + 1.0 Di + 1.0 Wi + 1.0 Ti SNB-J2	-7.84	15.73	65.45	17.57	-6.35	-3.89	-0.01	7.45	0
	3: 1.2D + 1.0Dg + 1.0 Di + 1.0 Wi + 1.0 Ti RohnJP	-6.57	1.32	250.15	6.7	0.05	0.22	0.01	0.23	0
	3: 1.2D + 1.0Dg + 1.0 Di + 1.0 Wi + 1.0 Ti SNB-JP	-6.32	1.86	307.44	6.59	0.41	1.17	0.02	1.24	0
	3: 1.2D + 1.0Dg + 1.0 Di + 1.0 Wi + 1.0 Ti RohnJ1	2.19	6.32	249.93	6.69	0.23	-0.05	0	0.24	0
	3: 1.2D + 1.0Dg + 1.0 Di + 1.0 Wi + 1.0 Ti RohnJ2	-4.95	8.53	66	9.86	-2.6	-1.51	0	3	0
"0"	3: 1.2D + 1.0Dg + 1.0 Di + 1.0 Wi + 1.0 Ti SNB-J1	1.56	6.4	307.18	6.59	1.22	-0.23	-0.02	1.25	0
	3: 1.2D + 1.0Dg + 1.0 Di + 1.0 Wi + 1.0 Ti SNB-J2	-9.92	17.19	41.85	19.85	-6.98	-4.03	0	8.05	0
	3: 1.2D + 1.0Dg + 1.0 Di + 1.0 Wi + 1.0 Ti RohnJP	-12.28	-0.01	313.75	12.28	0	-0.73	0	0.73	0
	3: 1.2D + 1.0Dg + 1.0 Di + 1.0 Wi + 1.0 Ti SNB-JP	-15.27	0	398.14	15.27	0	-1.19	0	1.19	0
	3: 1.2D + 1.0Dg + 1.0 Di + 1.0 Wi + 1.0 Ti RohnJ1	-3.35	-3.15	127.28	4.6	1.82	-1.02	0	2.08	0
"60"	3: 1.2D + 1.0Dg + 1.0 Di + 1.0 Wi + 1.0 Ti RohnJ2	-3.33	3.16	127.4	4.59	-1.82	-1.01	0	2.08	0
	3: 1.2D + 1.0Dg + 1.0 Di + 1.0 Wi + 1.0 Ti SNB-J1	-7.28	-8.83	129.15	11.44	5.18	-2.58	-0.01	5.79	0
	3: 1.2D + 1.0Dg + 1.0 Di + 1.0 Wi + 1.0 Ti SNB-J2	-7.28	8.83	129.26	11.44	-5.18	-2.57	0.01	5.79	0
	3: 1.2D + 1.0Dg + 1.0 Di + 1.0 Wi + 1.0 Ti RohnJP	-6.57	-1.33	250.22	6.7	-0.05	0.22	-0.01	0.23	0
	3: 1.2D + 1.0Dg + 1.0 Di + 1.0 Wi + 1.0 Ti SNB-JP	-6.33	-1.86	307.54	6.59	-0.41	1.17	-0.02	1.24	0
"90"	3: 1.2D + 1.0Dg + 1.0 Di + 1.0 Wi + 1.0 Ti RohnJ1	-4.96	-8.52	65.81	9.86	2.59	-1.52	0	3	0
	3: 1.2D + 1.0Dg + 1.0 Di + 1.0 Wi + 1.0 Ti RohnJ2	2.19	-6.31	250.05	6.68	-0.23	-0.04	0	0.24	0
	3: 1.2D + 1.0Dg + 1.0 Di + 1.0 Wi + 1.0 Ti SNB-J1	-9.93	-17.19	41.64	19.85	6.98	-4.03	0	8.06	0
	3: 1.2D + 1.0Dg + 1.0 Di + 1.0 Wi + 1.0 Ti SNB-J2	1.56	-6.4	307.29	6.58	-1.23	-0.23	0.01	1.25	0
	3: 1.2D + 1.0Dg + 1.0 Di + 1.0 Wi + 1.0 Ti RohnJP	-1.09	-1.53	188.88	1.88	-0.04	1.15	-0.01	1.15	0
"1.2*DL"	3: 1.2D + 1.0Dg + 1.0 Di + 1.0 Wi + 1.0 Ti SNB-JP	2.4	-2.16	219.05	3.22	-0.44	3.46	-0.02	3.49	0
	3: 1.2D + 1.0Dg + 1.0 Di + 1.0 Wi + 1.0 Ti RohnJ1	-3.59	-7.65	82.15	8.45	2.38	-1.4	0	2.76	0
	3: 1.2D + 1.0Dg + 1.0 Di + 1.0 Wi + 1.0 Ti RohnJ2	4.68	-9.53	295.06	10.62	0.36	0.28	0	0.46	0
	3: 1.2D + 1.0Dg + 1.0 Di + 1.0 Wi + 1.0 Ti SNB-J1	-7.85	-15.73	65.18	17.58	6.35	-3.9	0.01	7.45	0
	3: 1.2D + 1.0Dg + 1.0 Di + 1.0 Wi + 1.0 Ti SNB-J2	5.44	-11.56	372.23	12.78	0.31	0.47	0.01	0.56	0
1.2*DL	RohnJP	-2.09	0	30.92	2.09	0	-0.35	0	0.35	0
1.2*DL	SNB-JP	-0.06	0	18.69	0.06	0	-0.67	0	0.67	0
1.2*DL	RohnJ1	1.05	1.81	30.73	2.09	-0.3	0.17	0	0.34	0
1.2*DL	RohnJ2	1.05	-1.81	30.92	2.09	0.3	0.17	0	0.35	0
1.2*DL	SNB-J1	0.03	0.05	18.46	0.06	-0.58	0.33	0	0.67	0
1.2*DL	SNB-J2	0.03	-0.05	18.66	0.06	0.58	0.34	0	0.67	0

Load Case	Joint Label	Vert. Tower Forces (k)	Leg Moment Arm (ft)	Moment (ft-k)	Total Moment (ft-k)	Shear (k)	Total Shear (k)
-90 deg	RohnJP	157.87	0.00	0.00	5319.6	1.88	54.5
-90 deg	SNB-JP	200.25	0.00	0.00		3.23	
-90 deg	RohnJ1	264.18	11.42	3016.94		10.62	
-90 deg	RohnJ2	51.46	-11.42	-587.67		8.44	
-90 deg	SNB-J1	353.62	9.42	3331.10		12.78	
-90 deg	SNB-J2	46.79	-9.42	-440.76		17.57	
-60 deg	RohnJP	219.23	6.60	1446.92	5320.4	6.70	56.3
-60 deg	SNB-JP	288.75	5.44	1570.80		6.59	
-60 deg	RohnJ1	219.2	6.60	1446.72		6.69	
-60 deg	RohnJ2	35.08	-13.18	-462.35		9.86	
-60 deg	SNB-J1	288.72	5.44	1570.64		6.59	
-60 deg	SNB-J2	23.19	-10.88	-252.31		19.85	
0 deg	RohnJP	282.83	13.18	3727.70	5378.3	12.28	59.6
0 deg	SNB-JP	379.45	10.88	4128.42		15.27	
0 deg	RohnJ1	96.55	-6.60	-637.23		4.60	
0 deg	RohnJ2	96.48	-6.60	-636.77		4.59	
0 deg	SNB-J1	110.69	-5.44	-602.15		11.44	
0 deg	SNB-J2	110.6	-5.44	-601.66		11.44	
+60 deg	RohnJP	219.3	6.60	1447.38	5320.6	6.70	56.3
+60 deg	SNB-JP	288.85	5.44	1571.34		6.59	
+60 deg	RohnJ1	35.08	-13.18	-462.35		9.86	
+60 deg	RohnJ2	219.13	6.60	1446.26		6.68	
+60 deg	SNB-J1	23.18	-10.88	-252.20		19.85	
+60 deg	SNB-J2	288.63	5.44	1570.15		6.58	
+90 deg	RohnJP	157.96	0.00	0.00	5319.8	1.88	54.5
+90 deg	SNB-JP	200.36	0.00	0.00		3.22	
+90 deg	RohnJ1	51.42	-11.42	-587.22		8.45	
+90 deg	RohnJ2	264.14	11.42	3016.48		10.62	
+90 deg	SNB-J1	46.72	-9.42	-440.10		17.58	
+90 deg	SNB-J2	353.57	9.42	3330.63		12.78	

Forces taken from PLS-Tower output with 1.2*DL Only load case subtracted from Vertical Tower Forces

Dimensions taken from CAD drawing





Job	180' ROHN SSV Tower w/ SNB Reinf. - Greenwich	Project No.	Revision 4	Page	_____ of _____
Description	Overturing Moment Calculation	Computed by	MCD	Sheet	_____ of _____
	TIA-222-G Load Case #4	Checked by		Date	07/31/19

From PLS-Tower Output Summary

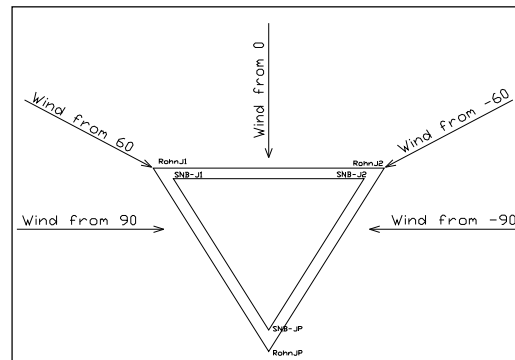
Summary of Joint Support Reactions For All Load Cases:

Load Case	Joint Label	Long. Force (kips)	Tran. Force (kips)	Vert. Force (kips)	Shear Force (kips)	Tran. Moment (ft-k)	Long. Moment (ft-k)	Vert. Moment (ft-k)	Bending Moment (ft-k)	Found. Usage %	
"-90"	4: 1.2D + 1.0Dg + 1.0E	RohnJP	-1.07	0.1	19.89	1.07	0.04	-0.28	0	0.28	0
	4: 1.2D + 1.0Dg + 1.0E	SNB-JP	-0.55	0.15	18.52	0.57	0.18	-0.48	0.01	0.51	0
	4: 1.2D + 1.0Dg + 1.0E	RohnJ1	1.14	2.02	38.37	2.32	-0.43	0.29	0	0.52	0
	4: 1.2D + 1.0Dg + 1.0E	RohnJ2	-0.07	0.19	1.1	0.2	0.04	-0.01	0	0.04	0
	4: 1.2D + 1.0Dg + 1.0E	SNB-J1	1.29	2.37	44.84	2.7	-0.89	0.62	0	1.08	0
"-60"	4: 1.2D + 1.0Dg + 1.0E	SNB-J2	-0.74	1.43	-8.19	1.61	-0.07	-0.14	0	0.15	0
	4: 1.2D + 1.0Dg + 1.0E	RohnJP	-1.79	0.09	30.67	1.79	0.04	-0.42	0	0.42	0
	4: 1.2D + 1.0Dg + 1.0E	SNB-JP	-1.79	0.13	33.86	1.8	0.15	-0.82	0.01	0.84	0
	4: 1.2D + 1.0Dg + 1.0E	RohnJ1	0.84	1.58	30.47	1.79	-0.33	0.25	0	0.42	0
	4: 1.2D + 1.0Dg + 1.0E	RohnJ2	-0.21	0.33	-1.79	0.39	0	-0.01	0	0.01	0
"0"	4: 1.2D + 1.0Dg + 1.0E	SNB-J1	0.79	1.61	33.62	1.79	-0.63	0.55	-0.01	0.84	0
	4: 1.2D + 1.0Dg + 1.0E	SNB-J2	-0.97	1.68	-12.3	1.94	-0.19	-0.11	0	0.22	0
	4: 1.2D + 1.0Dg + 1.0E	RohnJP	-2.52	0	41.46	2.52	0	-0.56	0	0.56	0
	4: 1.2D + 1.0Dg + 1.0E	SNB-JP	-3.04	0	49.2	3.04	0	-1.17	0	1.17	0
	4: 1.2D + 1.0Dg + 1.0E	RohnJ1	0.11	0.32	8.9	0.34	-0.09	0.11	0	0.14	0
"60"	4: 1.2D + 1.0Dg + 1.0E	RohnJ2	0.1	-0.33	8.99	0.34	0.1	0.1	0	0.14	0
	4: 1.2D + 1.0Dg + 1.0E	SNB-J1	-0.46	-0.54	2.94	0.71	-0.03	0.2	-0.01	0.2	0
	4: 1.2D + 1.0Dg + 1.0E	SNB-J2	-0.45	0.54	3.04	0.71	0.03	0.2	0.01	0.2	0
	4: 1.2D + 1.0Dg + 1.0E	RohnJP	-1.79	-0.08	30.67	1.79	-0.04	-0.42	0	0.42	0
	4: 1.2D + 1.0Dg + 1.0E	SNB-JP	-1.79	-0.12	33.86	1.8	-0.16	-0.82	-0.01	0.84	0
"90"	4: 1.2D + 1.0Dg + 1.0E	RohnJ1	-0.21	-0.34	-1.89	0.39	0	-0.01	0	0.01	0
	4: 1.2D + 1.0Dg + 1.0E	RohnJ2	0.84	-1.58	30.56	1.79	0.33	0.25	0	0.42	0
	4: 1.2D + 1.0Dg + 1.0E	SNB-J1	-0.97	-1.68	-12.4	1.94	0.19	-0.11	0	0.22	0
	4: 1.2D + 1.0Dg + 1.0E	SNB-J2	0.79	-1.61	33.72	1.8	0.63	0.55	0.01	0.84	0
	4: 1.2D + 1.0Dg + 1.0E	RohnJP	-1.07	-0.1	19.89	1.07	-0.04	-0.28	0	0.28	0
"1.2*DL"	4: 1.2D + 1.0Dg + 1.0E	SNB-JP	-0.55	-0.14	18.52	0.57	-0.18	-0.48	-0.01	0.51	0
	4: 1.2D + 1.0Dg + 1.0E	RohnJ1	-0.07	-0.19	1	0.2	-0.04	-0.01	0	0.04	0
	4: 1.2D + 1.0Dg + 1.0E	RohnJ2	1.14	-2.02	38.46	2.32	0.43	0.29	0	0.52	0
	4: 1.2D + 1.0Dg + 1.0E	SNB-J1	-0.74	-1.43	-8.29	1.61	0.07	-0.14	0	0.16	0
	4: 1.2D + 1.0Dg + 1.0E	SNB-J2	1.29	-2.37	44.95	2.7	0.89	0.62	0	1.08	0
"1.2*DL"	1.2*DL	RohnJP	-1.07	0	19.88	1.07	0	-0.28	0	0.28	0
	1.2*DL	SNB-JP	-0.55	0	18.52	0.55	0	-0.48	0	0.48	0
	1.2*DL	RohnJ1	0.53	0.92	19.69	1.06	-0.24	0.14	0	0.27	0
	1.2*DL	RohnJ2	0.53	-0.92	19.78	1.06	0.24	0.14	0	0.27	0
	1.2*DL	SNB-J1	0.27	0.47	18.28	0.55	-0.41	0.24	0	0.47	0
1.2*DL	SNB-J2	0.28	-0.47	18.38	0.55	0.41	0.24	0	0.47	0	

Load Case	Joint Label	Vert. Tower Forces (k)	Leg Moment Arm (ft)	Moment (ft-k)	Total Moment (ft-k)	Shear (k)	Total Shear (k)
-90 deg	RohnJP	0.01	0.00	0.00	927.1	1.07	8.5
-90 deg	SNB-JP	0	0.00	0.00		0.57	
-90 deg	RohnJ1	18.68	11.42	213.33		2.32	
-90 deg	RohnJ2	-18.68	-11.42	213.33		0.20	
-90 deg	SNB-J1	26.56	9.42	250.20		2.70	
-90 deg	SNB-J2	-26.57	-9.42	250.29		1.61	
-60 deg	RohnJP	10.79	6.60	71.21	927.4	1.79	9.5
-60 deg	SNB-JP	15.34	5.44	83.45		1.80	
-60 deg	RohnJ1	10.78	6.60	71.15		1.79	
-60 deg	RohnJ2	-21.57	-13.18	284.29		0.39	
-60 deg	SNB-J1	15.34	5.44	83.45		1.79	
-60 deg	SNB-J2	-30.68	-10.88	333.80		1.94	
0 deg	RohnJP	21.58	13.18	284.42	927.6	2.52	7.7
0 deg	SNB-JP	30.68	10.88	333.80		3.04	
0 deg	RohnJ1	-10.79	-6.60	71.21		0.34	
0 deg	RohnJ2	-10.79	-6.60	71.21		0.34	
0 deg	SNB-J1	-15.34	-5.44	83.45		0.71	
0 deg	SNB-J2	-15.34	-5.44	83.45		0.71	
+60 deg	RohnJP	10.79	6.60	71.21	927.5	1.79	9.5
+60 deg	SNB-JP	15.34	5.44	83.45		1.80	
+60 deg	RohnJ1	-21.58	-13.18	284.42		0.39	
+60 deg	RohnJ2	10.78	6.60	71.15		1.79	
+60 deg	SNB-J1	-30.68	-10.88	333.80		1.94	
+60 deg	SNB-J2	15.34	5.44	83.45		1.80	
+90 deg	RohnJP	0.01	0.00	0.00	927.3	1.07	8.5
+90 deg	SNB-JP	0	0.00	0.00		0.57	
+90 deg	RohnJ1	-18.69	-11.42	213.44		0.20	
+90 deg	RohnJ2	18.68	11.42	213.33		2.32	
+90 deg	SNB-J1	-26.57	-9.42	250.29		1.61	
+90 deg	SNB-J2	26.57	9.42	250.29		2.70	

Forces taken from PLS-Tower output with 1.2*DL Only load case subtracted from Vertical Tower Forces

Dimensions taken from CAD drawing





Job	180' ROHN SSV Tower w/ SNB Reinf. - Greenwich	Project No.	Revision 4	Page	_____	of	_____
Description	Overturing Moment Calculation	Computed by	MCD	Sheet	_____	of	_____
	TIA-222-G Load Case #5	Checked by		Date	_____	07/31/19	_____

From PLS-Tower Output Summary

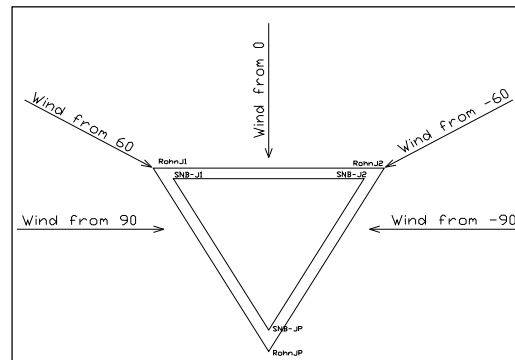
Summary of Joint Support Reactions For All Load Cases:

Load Case	Joint Label	Long. Force (kips)	Tran. Force (kips)	Vert. Force (kips)	Shear Force (kips)	Tran. Moment (ft-k)	Long. Moment (ft-k)	Vert. Moment (ft-k)	Bending Moment (ft-k)	Found. Usage %	
"-90"	5: 0.9D + 1.0Dg + 1.0E	RohnJP	-0.8	0.1	14.92	0.81	0.04	-0.21	0	0.21	0
	5: 0.9D + 1.0Dg + 1.0E	SNB-JP	-0.41	0.15	13.89	0.44	0.18	-0.36	0.01	0.4	0
	5: 0.9D + 1.0Dg + 1.0E	RohnJ1	1	1.79	33.42	2.06	-0.37	0.25	0	0.45	0
	5: 0.9D + 1.0Dg + 1.0E	RohnJ2	-0.21	0.41	-3.82	0.46	-0.02	-0.04	0	0.05	0
	5: 0.9D + 1.0Dg + 1.0E	SNB-J1	1.22	2.26	40.24	2.57	-0.78	0.56	0	0.96	0
"-60"	5: 0.9D + 1.0Dg + 1.0E	SNB-J2	-0.81	1.55	-12.75	1.75	-0.17	-0.2	0	0.26	0
	5: 0.9D + 1.0Dg + 1.0E	RohnJP	-1.53	0.09	25.69	1.53	0.03	-0.35	0	0.35	0
	5: 0.9D + 1.0Dg + 1.0E	SNB-JP	-1.66	0.13	29.21	1.66	0.15	-0.7	0.01	0.72	0
	5: 0.9D + 1.0Dg + 1.0E	RohnJ1	0.71	1.35	25.54	1.52	-0.27	0.22	0	0.35	0
	5: 0.9D + 1.0Dg + 1.0E	RohnJ2	-0.34	0.56	-6.7	0.66	-0.06	-0.04	0	0.07	0
"0"	5: 0.9D + 1.0Dg + 1.0E	SNB-J1	0.72	1.49	29.02	1.66	-0.53	0.49	-0.01	0.72	0
	5: 0.9D + 1.0Dg + 1.0E	SNB-J2	-1.04	1.8	-16.85	2.08	-0.3	-0.17	0	0.34	0
	5: 0.9D + 1.0Dg + 1.0E	RohnJP	-2.25	0	36.46	2.25	0	-0.49	0	0.49	0
	5: 0.9D + 1.0Dg + 1.0E	SNB-JP	-2.9	0	44.53	2.9	0	-1.05	0	1.05	0
	5: 0.9D + 1.0Dg + 1.0E	RohnJ1	-0.03	0.09	4	0.1	-0.04	0.07	0	0.08	0
"60"	5: 0.9D + 1.0Dg + 1.0E	RohnJ2	-0.03	-0.1	4.06	0.1	0.04	0.07	0	0.08	0
	5: 0.9D + 1.0Dg + 1.0E	SNB-J1	-0.52	-0.66	-1.61	0.84	0.07	0.14	-0.01	0.15	0
	5: 0.9D + 1.0Dg + 1.0E	SNB-J2	-0.52	0.66	-1.54	0.84	-0.07	0.14	0.01	0.16	0
	5: 0.9D + 1.0Dg + 1.0E	RohnJP	-1.53	-0.08	25.69	1.53	-0.04	-0.35	0	0.35	0
	5: 0.9D + 1.0Dg + 1.0E	SNB-JP	-1.66	-0.13	29.21	1.66	-0.16	-0.7	-0.01	0.72	0
"90"	5: 0.9D + 1.0Dg + 1.0E	RohnJ1	-0.34	-0.56	-6.77	0.66	0.06	-0.04	0	0.07	0
	5: 0.9D + 1.0Dg + 1.0E	RohnJ2	0.71	-1.35	25.6	1.53	0.27	0.22	0	0.35	0
	5: 0.9D + 1.0Dg + 1.0E	SNB-J1	-1.04	-1.8	-16.93	2.08	0.3	-0.17	0	0.34	0
	5: 0.9D + 1.0Dg + 1.0E	SNB-J2	0.72	-1.49	29.1	1.66	0.53	0.49	0.01	0.72	0
	5: 0.9D + 1.0Dg + 1.0E	RohnJP	-0.8	-0.1	14.92	0.81	-0.04	-0.21	0	0.21	0
"0.9*DL"	5: 0.9D + 1.0Dg + 1.0E	SNB-JP	-0.41	-0.14	13.89	0.44	-0.18	-0.36	-0.01	0.4	0
	5: 0.9D + 1.0Dg + 1.0E	RohnJ1	-0.21	-0.42	-3.89	0.46	0.02	-0.05	0	0.05	0
	5: 0.9D + 1.0Dg + 1.0E	RohnJ2	1.01	-1.8	33.49	2.06	0.37	0.25	0	0.45	0
	5: 0.9D + 1.0Dg + 1.0E	SNB-J1	-0.81	-1.55	-12.83	1.75	0.17	-0.2	0	0.26	0
	5: 0.9D + 1.0Dg + 1.0E	SNB-J2	1.22	-2.26	40.31	2.57	0.78	0.56	0	0.96	0
"0.9*DL"	0.9DL	RohnJP	-0.8	0	14.92	0.8	0	-0.21	0	0.21	0
	0.9DL	SNB-JP	-0.41	0	13.89	0.41	0	-0.36	0	0.36	0
	0.9DL	RohnJ1	0.4	0.69	14.77	0.8	-0.18	0.1	0	0.21	0
	0.9DL	RohnJ2	0.4	-0.69	14.84	0.8	0.18	0.1	0	0.21	0
	0.9DL	SNB-J1	0.21	0.35	13.71	0.41	-0.31	0.18	0	0.35	0
0.9DL	SNB-J2	0.21	-0.36	13.78	0.41	0.31	0.18	0	0.36	0	

Load Case	Joint Label	Vert. Tower Forces (k)	Leg Moment Arm (ft)	Moment (ft-k)	Total Moment (ft-k)	Shear (k)	Total Shear (k)
-90 deg	RohnJP	0	0.00	0.00	925.9	0.81	8.1
-90 deg	SNB-JP	0	0.00	0.00		0.44	
-90 deg	RohnJ1	18.65	11.42	212.98		2.06	
-90 deg	RohnJ2	-18.66	-11.42	213.10		0.46	
-90 deg	SNB-J1	26.53	9.42	249.91		2.57	
-90 deg	SNB-J2	-26.53	-9.42	249.91		1.75	
-60 deg	RohnJP	10.77	6.60	71.08	925.9	1.53	9.1
-60 deg	SNB-JP	15.32	5.44	83.34		1.66	
-60 deg	RohnJ1	10.77	6.60	71.08		1.52	
-60 deg	RohnJ2	-21.54	-13.18	283.90		0.66	
-60 deg	SNB-J1	15.31	5.44	83.29		1.66	
-60 deg	SNB-J2	-30.63	-10.88	333.25		2.08	
0 deg	RohnJP	21.54	13.18	283.90	926.2	2.25	7.0
0 deg	SNB-JP	30.64	10.88	333.36		2.90	
0 deg	RohnJ1	-10.77	-6.60	71.08		0.10	
0 deg	RohnJ2	-10.78	-6.60	71.15		0.10	
0 deg	SNB-J1	-15.32	-5.44	83.34		0.84	
0 deg	SNB-J2	-15.32	-5.44	83.34		0.84	
+60 deg	RohnJP	10.77	6.60	71.08	926.0	1.53	9.1
+60 deg	SNB-JP	15.32	5.44	83.34		1.66	
+60 deg	RohnJ1	-21.54	-13.18	283.90		0.66	
+60 deg	RohnJ2	10.76	6.60	71.02		1.53	
+60 deg	SNB-J1	-30.64	-10.88	333.36		2.08	
+60 deg	SNB-J2	15.32	5.44	83.34		1.66	
+90 deg	RohnJP	0	0.00	0.00	926.0	0.81	8.1
+90 deg	SNB-JP	0	0.00	0.00		0.44	
+90 deg	RohnJ1	-18.66	-11.42	213.10		0.46	
+90 deg	RohnJ2	18.65	11.42	212.98		2.06	
+90 deg	SNB-J1	-26.54	-9.42	250.01		1.75	
+90 deg	SNB-J2	26.53	9.42	249.91		2.57	

Forces taken from PLS-Tower output with 0.9*DL Only load case subtracted from Vertical Tower Forces

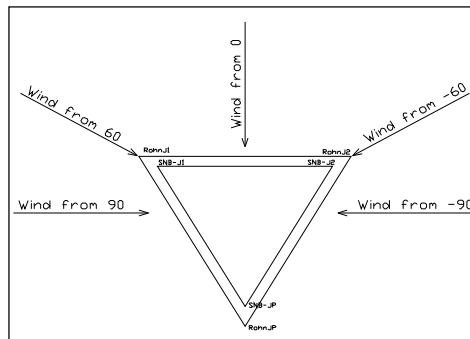
Dimensions taken from CAD drawing



Load Case	Load Case 1 Total Moment (ft-k)	Load Case 1 Total Shear (k)	Load Case 2 Total Moment (ft-k)	Load Case 2 Total Shear (k)	Load Case 3 Total Moment (ft-k)	Load Case 3 Total Shear (k)	Load Case 4 Total Moment (ft-k)	Load Case 4 Total Shear (k)	Load Case 5 Total Moment (ft-k)	Load Case 5 Total Shear (k)
Wo -90 deg	14201	143.5	14183	143.4	5320	54.5	927.1	8.5	925.9	8.1
Wo -60 deg	14074	154.7	14056.3	154.3	5320	56.3	927.4	9.5	925.9	9.1
Wo 0 deg	14589	159.2	14576.1	159.5	5378	59.6	927.6	7.7	926.2	7
Wo 60 deg	14074	154.7	14056.5	154.3	5321	56.3	927.5	9.5	926	9.1
Wo 90 deg	14201	143.4	14183.1	143.4	5320	54.5	927.3	8.5	926	8.1

Maximum Moment = 14589 kip*ft

Maximum Shear = 159.5 kip



Job	180' ROHN SSV Tower w/ SNB Reinf. - Greenwich	Project No.	Revision 4	Sheet	1 of 7
Description	Foundation Analysis (TIA-222-G)	Computed by	MCD	Date	07/31/19
		Checked by		Date	

PIER AND MAT FOUNDATION ANALYSIS - 3 PIERS

TOWER FORCES:

Moment Caused by Tower	$M_t := 14589 \text{ kip}\cdot\text{ft}$
Shear at Base of Tower	$S_t := 159.5 \text{ kip}$
Max Compressive Force	$C_t := 814 \text{ kip}$
Max Uplift	$U_t := 738 \text{ kip}$
Height of Tower	$H_t := 180 \text{ ft}$
Width of Tower at Base	$W_t := 22.833 \text{ ft}$
Weight of Tower	$WT_{t,0.9} := 86.21 \text{ kip}$ $WT_{t,1.2} := 114.95 \text{ kip}$

FOOTING DIMENSIONS:

Width of Footing	$W_f := 36.5 \text{ ft}$
Overall Depth of Footing	$D_f := 3.5 \text{ ft}$
Thickness of Footing	$T_f := 6.0 \text{ ft}$
Reinforcement Cover:	$C_{vr} := 3 \text{ in}$

NOTE: Information for "Weight of Tower" obtained from Load Combination Calculation Excel Sheets Summation of Factored DL.

MATERIAL PROPERTIES:

Compressive Strength of Concrete	$f_c := 3000 \text{ psi}$	Unit Weight of Soil	$\gamma_s := 130 \text{ pcf}$
Yield Strength of Steel Reinforcement	$f_y := 60000 \text{ psi}$	Unit Weight of Concrete	$\gamma_c := 150 \text{ pcf}$
Internal Friction Angle of Soil	$\phi_s := 36 \text{ deg}$	Depth to Neglect	$n := 0 \text{ ft}$
Allowable Bearing Capacity	$q_s := 4000 \text{ psf}$	Cohesion of Clay Type Soil	$c_w := 0 \text{ ksf}$
Ultimate Bearing Capacity	$R_s := 2 \cdot q_s$	Note: Use 0 for Sandy Soil	
Coefficient of Lateral Soil Pressure	$K_p := \frac{1 + \sin(\phi_s)}{1 - \sin(\phi_s)}$	$K_p = 3.8518$	
What is Position of Center of Tower with respect to Center of Pad?		1=Offset 2=Not Offset	$Pos_{tower} := 2$

STEEL REINFORCING:

PAD REINFORCEMENT (Considering Uplift Moment Resistance):

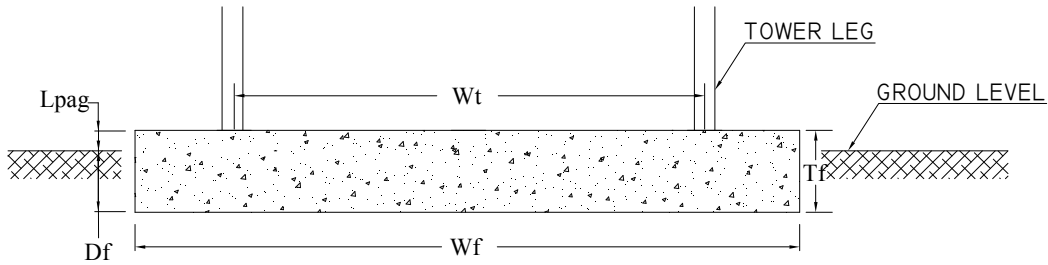
Bar Size	$BS_{pad} := 8$	Bar Diameter	$d_{bpad} := 1.00 \text{ in}$	NOTE: Area is for #8 @ 10in for uplift control ONLY.
Number of Bars	$NB_{pad} := 44$	Bar Area	$A_{bpad} := 0.95 \cdot \text{in}^2$	

Job 180° ROHN SSV Tower w/ SNB Reinf. - Greenwich
 Description Foundation Analysis (TIA-222-G)

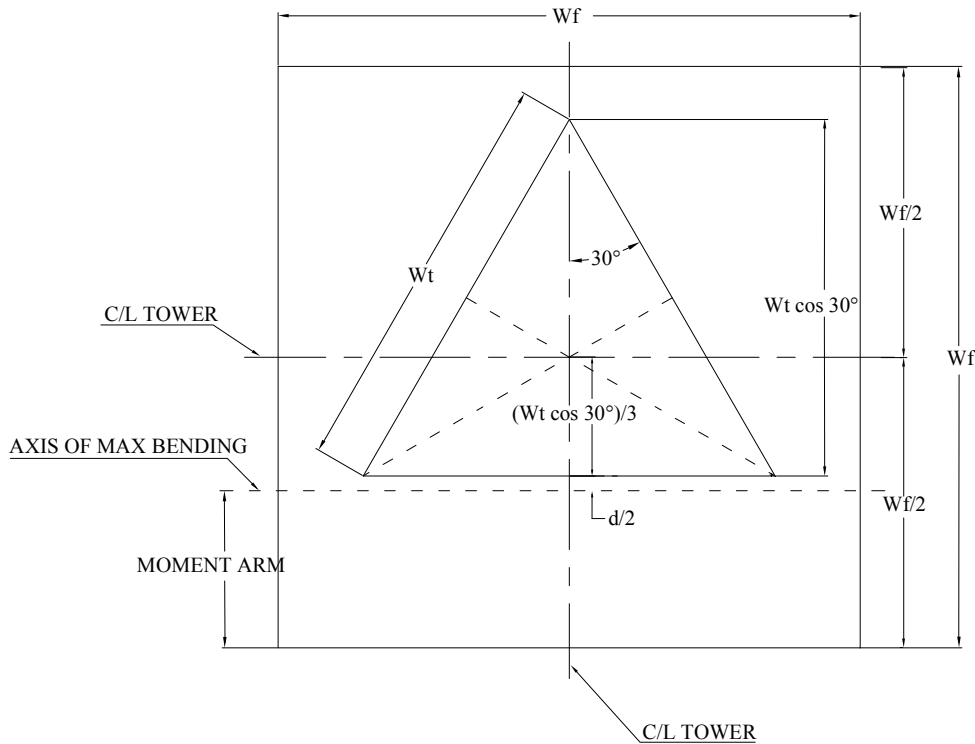
Project No. Revision 4
 Computed by MCD
 Checked by

Sheet 2 of 7
 Date 07/31/19
 Date

FOUNDATION OVERVIEW



ELEVATION



PLAN

Job	180' ROHN SSV Tower w/ SNB Reinf. - Greenwich	Project No.	Revision 4	Sheet	3 of 7
Description	Foundation Analysis (TIA-222-G)	Computed by	MCD	Date	07/31/19
		Checked by		Date	

STABILITY OF FOOTING

NOTE: Reduction factor is implemented as 0.75 for pull-out/uplift of foundation. Reduction factor shall be applied to Overturning Moment in this case

Passive Pressure:	$P_{pn} := K_p \cdot \gamma_s \cdot n + c \cdot 2 \cdot \sqrt{K_p}$ $P_{pt} := K_p \cdot \gamma_s \cdot (D_f - T_f) + c \cdot 2 \cdot \sqrt{K_p}$ $P_{top} := \text{if}[n < (D_f - T_f), P_{pt}, P_{pn}]$ $P_{bot} := K_p \cdot \gamma_s \cdot D_f + c \cdot 2 \cdot \sqrt{K_p}$ $P_{ave} := \frac{P_{top} + P_{bot}}{2}$	$P_{pn} = 0 \cdot \text{ksf}$ $P_{pt} = -1.2518 \cdot \text{ksf}$ $P_{top} = 0 \cdot \text{ksf}$ $P_{bot} = 1.7526 \cdot \text{ksf}$ $P_{ave} = 0.8763 \cdot \text{ksf}$
Shear:	$T_{pp} := \text{if}[n < (D_f - T_f), T_f, (D_f - n)]$ $A_{pp} := W_f \cdot T_{pp}$	$T_{pp} = 3.5 \cdot \text{ft}$ $A_{pp} = 127.75 \cdot \text{ft}^2$
Ultimate Shear:	$S_u := P_{ave} \cdot A_{pp}$	$S_u = 111.9465 \cdot \text{kip}$
Weight of Concrete Pad:	$WT_c := (W_f^2 \cdot T_f) \cdot \gamma_c$	$WT_c = 1199.025 \cdot \text{kip}$
Weight of Soil above Footing:	$WT_{s1} := 0$	$WT_{s1} = 0 \cdot \text{kip}$
Weight of Soil Wedge at back face:	$WT_{s2} := \left[\frac{(D_f - n)^2 \cdot \tan(\phi_s)}{2} \cdot W_f \right] \cdot \gamma_s$	$WT_{s2} = 21.1156 \cdot \text{kip}$
Distance to center of Tower Leg from Edge of Footing:	$X_{t1} := \frac{W_f}{2} - \frac{W_t \cdot \cos(30 \cdot \text{deg})}{2}$	$X_{t2} := \frac{W_f}{2} - \frac{W_t \cdot \cos(30 \cdot \text{deg})}{3}$
	$X_t := \text{if}(\text{Pos}_{tower} = 1, X_{t1}, X_{t2})$	$X_t = 11.6587 \cdot \text{ft}$
Additional Offset of Footing:	$X_{off1} := \frac{W_f}{2} - \left(\frac{W_t \cdot \cos(30 \cdot \text{deg})}{3} + X_t \right)$ $X_{off2} := 0$	$X_{off} = 0 \cdot \text{ft}$
Resisting Moment:	$M_r := \left[0.9(WT_c + WT_{s1}) \right] \cdot \frac{W_f}{2} + \left[WT_{t_} \cdot 0.9 \cdot \left(\frac{W_f}{2} - X_{off} \right) \right] + 0.90 \cdot \left(S_u \cdot \frac{T_{pp}}{3} \right) \dots$ $+ WT_{s2} \cdot 0.90 \cdot \left(W_f + \frac{T_{pp} \cdot \tan(\phi_s)}{3} \right)$	$M_r = 22094.6177 \cdot \text{kip} \cdot \text{ft}$
Overturning Moment:	$M_{ot} := M_t + S_t \cdot (T_f) + WT_{t_} \cdot 1.2 \cdot X_{off}$	$M_{ot} = 15546 \cdot \text{kip} \cdot \text{ft}$
Factor of Safety:	$\text{RatioStability} := \frac{M_r}{M_{ot} \cdot \phi_{OT}}$	$\text{RatioStability} = 0.938$
	$\text{StabilityCheck} := \text{if}(M_r \cdot \phi_{OT} > M_{ot}, \text{"Okay"}, \text{"No Good"})$	$\text{StabilityCheck} = \text{"Okay"}$

$\phi_{OT} := 0.75$

ANSI/TIA-222-G REDUCTION FACTOR

Job	<u>180' ROHN SSV Tower w/ SNB Reinf. - Greenwich</u>	Project No.	<u>Revision 4</u>	Sheet	<u>4</u> of <u>7</u>
Description	<u>Foundation Analysis (TIA-222-G)</u>	Computed by	<u>MCD</u>	Date	<u>07/31/19</u>
		Checked by		Date	

BEARING PRESSURE CHECK:

$$\begin{aligned} \text{LOAD}_{\text{tot}} &:= (\text{WT}_{\text{c}} + \text{WT}_{\text{sl}}) \cdot 0.9 + \text{WT}_{\text{t}_0.9} & \text{LOAD}_{\text{tot}} &= 1165.3325 \cdot \text{kip} \\ A_{\text{mat}} &:= W_{\text{f}}^2 & A_{\text{mat}} &= 1332.25 \cdot \text{ft}^2 \\ S &:= \frac{W_{\text{f}}^3}{6} & S &= 8104.5208 \cdot \text{ft}^3 \\ P_{\text{max}} &:= \frac{\text{LOAD}_{\text{tot}}}{A_{\text{mat}}} + \frac{M_{\text{ot}}}{S} & P_{\text{max}} &= 2.7929 \cdot \text{ksf} \\ P_{\text{min}} &:= \frac{\text{LOAD}_{\text{tot}}}{A_{\text{mat}}} - \frac{M_{\text{ot}}}{S} & P_{\text{min}} &= -1.0435 \cdot \text{ksf} \\ \text{MaxPressure} &:= \text{if}(P_{\text{max}} < 0.75R_{\text{s}}, \text{"Okay"}, \text{"No Good"}) & \text{MaxPressure} &= \text{"Okay"} \\ \text{MinPressure} &:= \text{if}[(P_{\text{min}} \geq 0) \cdot (P_{\text{min}} < 0.75 \cdot R_{\text{s}}), \text{"Okay"}, \text{"No Good"}] & \text{MinPressure} &= \text{"No Good"} \end{aligned}$$

Distance to Resultant of Pressure Distribution:

$$X_{\text{p}} := \frac{P_{\text{max}}}{\frac{P_{\text{max}} - P_{\text{min}}}{W_{\text{f}}}} \cdot \frac{1}{3} \quad X_{\text{p}} = 8.8574 \cdot \text{ft}$$

Distance to Kern:

$$X_{\text{k}} := \frac{W_{\text{f}}}{3} \quad X_{\text{k}} = 12.1667 \cdot \text{ft}$$

Since Resultant Force is Not in Kern, Area to which Pressure is Applied Must be Reduced.

Eccentricity:

$$e := \frac{M_{\text{ot}}}{\text{LOAD}_{\text{tot}}} \quad e = 13.3404$$

Adjusted Soil Pressure:

$$q_{\text{a}} := \frac{2 \cdot \text{LOAD}_{\text{tot}}}{3 \cdot W_{\text{f}} \cdot \left(\frac{W_{\text{f}}}{2} - e \right)} \quad q_{\text{a}} = 4.3353 \cdot \text{ksf}$$

Revised Maximum:

$$q_{\text{max}} := \text{if}(X_{\text{p}} < X_{\text{k}}, q_{\text{a}}, P_{\text{max}}) \quad q_{\text{max}} = 4.3353 \cdot \text{ksf}$$

$$\text{PressureCheck} := \text{if}(q_{\text{max}} < 0.75 \cdot R_{\text{s}}, \text{"Okay"}, \text{"No Good"}) \quad \text{PressureCheck} = \text{"Okay"}$$

Job	180' ROHN SSV Tower w/ SNB Reinf. - Greenwich	Project No.	Revision 4	Sheet	5 of 7
Description	Foundation Analysis (TIA-222-G)	Computed by	MCD	Date	07/31/19
		Checked by		Date	

CHECK PUNCHING AND BEAM SHEAR:

Beam Shear: (Critical section located at a distance d from the face of Pier) (ACI 11.3.1.1)

$$\phi_c := 0.75 \quad (\text{ACI 9.3.2.3})$$

$$T_f := 4\text{ft} \quad \leftarrow \text{OVERRIDE - Original Footing Thickness}$$

$$d := T_f - C_{vr} - .5\text{in} \quad d = 44.5\text{in}$$

Factored load:

$$FL := \frac{C_t}{W_f^2} \quad FL = 0.611\text{ksf}$$

$$V_{req} := \frac{FL \cdot (X_t - d) \cdot W_f}{\phi_c} \quad V_{req} = 236.4048\text{kip}$$

ACI 11.3.1.1

$$V_{Avail} := 2 \cdot \sqrt{f_c \cdot \text{psi}} \cdot W_f \cdot d \quad V_{Avail} = 2135.1321\text{kip}$$

$$\text{BeamShearCheck} := \text{if}(V_{req} < V_{Avail}, \text{"Okay"}, \text{"No Good"}) \quad \text{BeamShearCheck} = \text{"Okay"}$$

Punching Shear: (Critical Section Located at a distance of d/2 from the face of pier) (ACI 11.12.2.1)

$$b_o := (d) \cdot \pi \quad b_o = 11.6501\text{ft}$$

$$V_{req} := FL \cdot \frac{W_f^2 - (d)^2 \cdot \frac{\pi}{4}}{\phi_c} \quad V_{req} = 1076.5345\text{kip}$$

$$V_{Avail} := 4 \cdot \sqrt{f_c \cdot \text{psi}} \cdot b_o \cdot d \quad V_{Avail} = 1362.9832\text{kip}$$

$$\text{PunchingShearCheck} := \text{if}(V_{req} < V_{Avail}, \text{"Okay"}, \text{"No Good"}) \quad \text{PunchingShearCheck} = \text{"Okay"}$$

Job	180' ROHN SSV Tower w/ SNB Reinf. - Greenwich	Project No.	Revision 4	Sheet	6 of 7
Description	Foundation Analysis (TIA-222-G)	Computed by	MCD	Date	07/31/19
		Checked by		Date	

TENSILE REINFORCEMENT IN PAD: $\phi_m := 0.90$ per ACI 9.3.2.2

Applied Moments: *NOTE: Existing 2 feet of concrete over original foundation considered in uplift reduction for design calculations shown below*

$$0.9 \cdot \frac{\gamma_c \cdot (2\text{ft} \cdot 32.5\text{ft} \cdot 32.5\text{ft})}{3} = 95.0625 \cdot \text{kip}$$

$$M_{nT} := [(U_t - 95\text{kip}) \cdot (W_t \cdot \sin(60\text{-deg}) + S_t \cdot (D_f))] - W_{T_t} \cdot 1.2 \cdot X_{\text{off}} \quad T_{fc} := 4\text{ft} \quad \leftarrow \text{OVERRIDE - Previously Modified Thickness}$$

$$M_{nS} := -1 \cdot \left[\frac{1}{2} \cdot \left(\frac{W_f}{2} + \frac{W_t}{3} \cdot \cos(30\text{-deg}) \right)^2 \cdot 0.9W_t \cdot [\gamma_s \cdot (T_{pp} - T_f)] + 0.9W_{T_s2} \cdot \left[\left(\frac{W_f}{2} + \frac{W_t}{3} \cdot \cos(30\text{-deg}) \right) + (D_f - n) \cdot \tan(\phi_s) \right] \right]$$

$$M_{nC} := -1 \cdot \left[\frac{1}{2} \cdot \left(\frac{W_f}{2} + \frac{W_t}{3} \cdot \cos(30\text{-deg}) \right)^2 \cdot 0.9 \cdot W_t \cdot (\gamma_c \cdot T_f) \right] \quad d := 56.5\text{in} \quad \leftarrow \text{OVERRIDE - Previously Modified Thickness}$$

Design Moment: $M_n := \frac{M_{nT} + M_{nS} + M_{nC}}{\phi_m} \quad M_n = 10400.3519 \cdot \text{kips} \cdot \text{ft}$

Required Reinforcement:

ACI 10.2.7.3 $\beta := \text{if} \left[f_c \leq 4000\text{-psi}, .85, \text{if} \left[f_c \geq 8000\text{-psi}, .65, .85 - \left(\frac{f_c}{\text{psi}} - 4000 \right) \cdot .05 \right] \right] \quad \beta = 0.85$

Effective Width: $b_{\text{eff}} := W_t \cdot \cos(30\text{-deg}) + 0\text{ft} \quad b_{\text{eff}} = 237.2875\text{-in}$

$$A_s := \frac{M_n}{\phi_m \cdot f_y \cdot d} \quad A_s = 40.906 \cdot \text{in}^2$$

$$a := \frac{A_s \cdot f_y}{\beta \cdot f_c \cdot b_{\text{eff}}} \quad a = 4.0562\text{-in}$$

$$A_{s_{\text{min}}} := \frac{M_n}{f_y \cdot \left(d - \frac{a}{2} \right)} \quad A_s = 38.1861 \cdot \text{in}^2$$

$$\rho := \frac{A_s}{b_{\text{eff}} \cdot d} \quad \rho = 0.0028$$

Temperature and Shrinkage: $\rho_{sh} := \text{if}(f_y \geq 60000\text{-psi}, 0.0018, 0.0020)$ $\rho_{sh} = 0.0018$
(ACI 7.12.2.1b)

Area Required: $A_s := \text{if} \left(\rho \geq \rho_{sh}, A_s, \rho_{sh} \cdot \frac{b_{\text{eff}}}{2} \cdot d \right) \quad A_s = 38.1861 \cdot \text{in}^2$

Area Provided: $A_{s_{\text{prov}}} := A_{\text{bpad}} \cdot \text{NB}_{\text{pad}} \quad A_{s_{\text{prov}}} = 41.8 \cdot \text{in}^2$

PadReinforcement := if($A_{s_{\text{prov}}} > A_s$, "Okay", "No Good") PadReinforcement = "Okay"

Job	<u>180' ROHN SSV Tower w/ SNB Reinf. - Greenwich</u>	Project No.	<u>Revision 4</u>	Sheet	<u>7</u> of <u>7</u>
Description	<u>Foundation Analysis (TIA-222-G)</u>	Computed by	<u>MCD</u>	Date	<u>07/31/19</u>
		Checked by		Date	

DEVELOPMENT LENGTH OF PAD REINFORCEMENT:

TENSION (ACI 12.2.3)

Bar Spacing: $B_{sPad} := \frac{W_f - 2 \cdot C_{vr} - N B_{pad} \cdot d_{bpad}}{N B_{pad} - 1}$ $B_{sPad} = 9.0233 \cdot in$

Development Length Factors:

Reinforcement Location Factor	$\alpha := 1.0$
Coating Factor	$\beta := 1.0$
Concrete strength Factor	$\lambda := 1.0$
Reinforcement Size Factor	$\gamma := 1.0$

Spacing or Cover Dimension: $c := \text{if} \left(C_{vr} < \frac{B_{sPad}}{2}, C_{vr}, \frac{B_{sPad}}{2} \right)$ $c = 3 \cdot in$

Transverse Reinforcement Index as allowed by ACI 12.2.4 $k_{tr} := 0$

Development Length: $L_{dbt} := \frac{3}{40} \cdot \frac{f_y}{\sqrt{f_c \cdot psi}} \cdot \frac{\alpha \cdot \beta \cdot \gamma \cdot \lambda}{c + k_{tr}} \cdot d_{bpad}$ $L_{dbt} = 27.3861 \cdot in$

$L_{dbmin} := 12 \cdot in$

Minimum Development Length: $L_{dbtCheck} := \text{if} (L_{dbt} \geq L_{dbmin}, "Use L.dbt", "Use L.dbmin")$ $L_{dbtCheck} = "Use L.dbt"$
(ACI 12.2.1)

Available Length in Pad: $L_{Pad} := \frac{W_f}{2} - \frac{W_t}{2} - C_{vr}$ $L_{Pad} = 79.002 \cdot in$

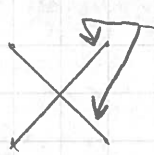
$L_{padTension} := \text{if} (L_{Pad} > L_{dbt}, "Okay", "No Good")$ $L_{padTension} = "Okay"$

Job Greenwich CSP Modification Analysis
 Description Custom Anchorage Design
Check for Anchor Bolts

Project No. Revision 4
 Computed by MCD
 Checked by _____

Page 1 of 2
 Sheet 1 of 3
 Date 7/31/19
 Date _____

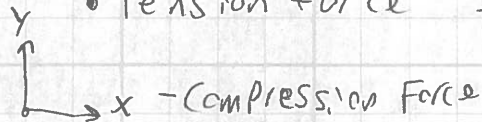
Reference



Diagonal Members: SNB-D7

- Compression force = 21.355 kIP
- Tension force = 21.030 kIP

• Convert to "xy" Plane forces



21.355 kIP

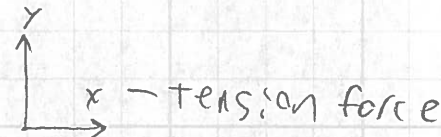


$\theta = 32.06^\circ$ (CADD measured from PLS-tower "dxf" model)

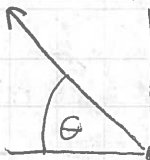
- $21.355 \text{ kIP} \cdot \sin(32.06^\circ) = 11.336 \text{ kIPS}$
- $21.355 \text{ kIP} \cdot \cos(32.06^\circ) = \underline{18.0982 \text{ kIPS}}$

- for conservative considerations, Assume 18.0982 kIPS is controlling compression force.

• Convert to "xy" Plane forces



21.030 kIP



- $21.030 \text{ kIP} \cdot \sin(32.06^\circ) = 11.16287 \text{ kIPS}$
- $21.030 \text{ kIP} \cdot \cos(32.06^\circ) = \underline{17.8228 \text{ kIPS}}$

- for conservative considerations, Assume 17.8228 kIPS is controlling tension force

Prior to tower modification - Bolt Shear Check \rightarrow (1) $\frac{3}{4}$ A490N \rightarrow 22.5 kIPS
 Single Shear Assumed

$22.5 \text{ kIPS} > 18.0982 \text{ kIPS} \therefore$ Bolt @ connection \rightarrow OK
 80.4%

- For Anchor age Details, the following shall apply:

$$- V(\text{Shear}) = 18,0982 \text{ kips} / 4 \text{ Anchors} = \underline{4,525 \text{ kips}}$$

(conservative value 5)

$$- \uparrow(\text{Uplift}) = 17,8228 \text{ kips} / 4 \text{ Anchors} = \underline{4,4557 \text{ kips}}$$

- Apply (4) HILTI HIT-RE500V3 Epoxy Anchoring System

- Consider "cracked concrete"

- for $7/8"$ ϕ Anchor @ $7/8"$ effective embedment & f'_c concrete = 5000 psi;
 (Hilti table 26)

- epoxy tension capacity/anchor = 13,375 lbf (prior to reduction factor)

- epoxy shear capacity/anchor = 28,810 lbf (prior to reduction factor)

- Apply "HAS-E" Anchor Bolts (table 29) (Steel)

- Tension capacity/Anchor = 21,755 lbf (LRFD capacity - ACI 17.4.1.2)

- Shear capacity/Anchor = 12,050 lbf (LRFD capacity) 17.5.3

- ACI 17.5.1.2b

- Apply Hilti Reductions to epoxy Anchors [table 39] & $S=6:n \therefore$

- tension capacity = $13,375 \text{ lbf} \times 0.61 = \underline{8,158 \text{ lbf/anchor}} = \phi N_n$

- shear capacity = $28,810 \text{ lbf} \times 0.15 = \underline{15,845 \text{ lbf/anchor}} = \phi V_n$

- Apply Anchors Per Interaction Equation - ACI 17.6.3 & Hilti eq 3.1.6.7

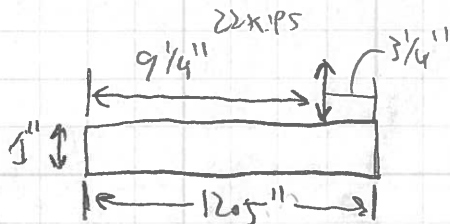
$$\frac{N_u}{\phi N_n} + \frac{V_u}{\phi V_n} \leq 1.2 \rightarrow \left(\frac{4,4557}{8,158} \right) + \left(\frac{4,525}{15,845} \right) \leq 1.2 \rightarrow 0,832 \leq 1,2 \quad \text{OK}$$

0,546 0,286 69,5%

- NOTE: HILTI applications follow the Design criteria from FBC 2015, Section 1901.3 & ACI 318-14 (Reference: ICC-ES Report "ESR-3814" - January 2017)

• tension/compression force applied to baseplate = 22 kips

- Per Design Sketch SK-5 - Determine Plastic Bending Capacity of Baseplate



$$M_{\text{Applied}} = \frac{P_{\text{ob}}}{l} = \frac{22 \text{ kips} \times 9.25'' \times 3.25''}{12.5''} = 52.91 \text{ k-in}$$

- Plate Plastic capacity = $M_p = \sigma \times Z = 0.9 \times 50 \text{ ksi} \times \frac{bd^2}{4}$

$$= 0.9 \times 50 \text{ ksi} \times \frac{(12.5 \text{ in}) \times (1 \text{ in})^2}{4}$$

$$M_p = \underline{140.625 \text{ k-in}}$$

• Note: plate LTB is NOT considered for plate "minor" axis bend:

$$\frac{53 \text{ k-in}}{140.625 \text{ k-in}} = 37.7\% \therefore \text{OK}$$

3.2.4 HIT-RE 500 V3 Epoxy Adhesive Anchoring System

Table 26 - Hilti HIT-RE 500 V3 adhesive design strength with concrete / bond failure for threaded rod in cracked concrete^{1,2,3,4,5,6,7,8,9,11}

Nominal anchor diameter In.	Effective embedment In. (mm)	Tension — Φ_N				Shear — Φ_V			
		$f'_c = 2,500$ psi (17.2 MPa) lb (kN)	$f'_c = 3,000$ psi (20.7 MPa) lb (kN)	$f'_c = 4,000$ psi (27.6 MPa) lb (kN)	$f'_c = 6,000$ psi (41.4 MPa) lb (kN)	$f'_c = 2,500$ psi (17.2 MPa) lb (kN)	$f'_c = 3,000$ psi (20.7 MPa) lb (kN)	$f'_c = 4,000$ psi (27.6 MPa) lb (kN)	$f'_c = 6,000$ psi (41.4 MPa) lb (kN)
3/8	2-3/8 (60)	2,020 (9.0)	2,215 (9.9)	2,500 (11.1)	2,655 (11.8)	2,180 (9.7)	2,385 (10.6)	2,690 (12.0)	2,860 (12.7)
	3-3/8 (86)	3,310 (14.7)	3,400 (15.1)	3,550 (15.8)	3,770 (16.8)	7,125 (31.7)	7,325 (32.6)	7,645 (34.0)	8,125 (36.1)
	4-1/2 (114)	4,410 (19.6)	4,535 (20.2)	4,735 (21.1)	5,030 (22.4)	9,500 (42.3)	9,765 (43.4)	10,195 (45.3)	10,835 (48.2)
	7-1/2 (191)	7,350 (32.7)	7,555 (33.6)	7,890 (35.1)	8,385 (37.3)	15,835 (70.4)	16,275 (72.4)	16,990 (75.6)	18,055 (80.3)
1/2	2-3/4 (70)	2,520 (11.2)	2,760 (12.3)	3,185 (14.2)	3,905 (17.4)	5,425 (24.1)	5,945 (26.4)	6,865 (30.5)	8,405 (37.4)
	4-1/2 (114)	5,275 (23.5)	5,780 (25.7)	6,260 (27.8)	6,655 (29.8)	11,360 (50.5)	12,445 (55.4)	13,485 (60.0)	14,330 (63.7)
	6 (152)	7,780 (34.6)	7,995 (35.6)	8,350 (37.1)	8,770 (39.5)	16,755 (74.5)	17,220 (76.6)	17,980 (80.0)	19,110 (85.0)
	10 (254)	12,965 (57.7)	13,325 (59.3)	13,915 (61.9)	14,785 (65.8)	27,930 (124.2)	28,705 (127.7)	29,970 (133.3)	31,850 (141.7)
5/8	3-1/8 (79)	3,050 (13.6)	3,345 (14.9)	3,860 (17.2)	4,730 (21.0)	6,575 (29.2)	7,200 (32.0)	8,315 (37.0)	10,185 (45.3)
	5-5/8 (143)	7,370 (32.8)	8,075 (35.9)	9,325 (41.5)	10,315 (45.9)	15,875 (70.6)	17,390 (77.4)	20,080 (89.3)	22,215 (98.8)
	7-1/2 (191)	11,350 (50.5)	12,395 (55.1)	12,940 (57.6)	13,755 (61.2)	24,440 (108.7)	26,695 (118.7)	27,875 (124.0)	29,620 (131.8)
	12-1/2 (318)	20,100 (89.4)	20,660 (91.9)	21,570 (95.9)	22,920 (102.0)	43,295 (192.6)	44,495 (197.9)	46,460 (206.7)	49,370 (219.6)
3/4 ¹⁰	3-1/2 (89)	3,620 (16.1)	3,965 (17.6)	4,575 (20.4)	5,605 (24.9)	7,790 (34.7)	8,535 (38.0)	9,855 (43.8)	12,070 (53.7)
	6-3/4 (171)	9,690 (43.1)	10,615 (47.2)	12,255 (54.5)	14,735 (65.5)	20,870 (92.8)	22,860 (101.7)	26,395 (117.4)	31,740 (141.2)
	9 (229)	14,920 (66.4)	16,340 (72.7)	18,490 (82.2)	19,650 (87.4)	32,130 (142.9)	35,195 (156.6)	39,820 (177.1)	42,320 (188.2)
	15 (381)	28,715 (127.7)	29,510 (131.3)	30,815 (137.1)	32,745 (145.7)	61,850 (275.1)	63,565 (282.7)	66,370 (295.2)	70,530 (313.7)
7/8 ¹⁰	3-1/2 (89)	3,620 (16.1)	3,965 (17.6)	4,575 (20.4)	5,605 (24.9)	7,790 (34.7)	8,535 (38.0)	9,855 (43.8)	12,070 (53.7)
	7-7/8 (200)	12,210 (54.3)	13,375 (59.5)	15,445 (68.7)	18,915 (84.1)	26,300 (117.0)	28,810 (128.2)	33,265 (148.0)	40,740 (181.2)
	10-1/2 (267)	18,800 (83.6)	20,590 (91.6)	23,780 (105.8)	26,530 (118.0)	40,490 (180.1)	44,355 (197.3)	51,215 (227.8)	57,140 (254.2)
	17-1/2 (445)	38,775 (172.5)	39,850 (177.3)	41,605 (185.1)	44,215 (196.7)	83,510 (371.5)	85,825 (381.8)	89,610 (398.6)	95,230 (423.6)
1	4 (102)	4,420 (19.7)	4,840 (21.5)	5,590 (24.9)	6,845 (30.4)	9,520 (42.3)	10,430 (46.4)	12,040 (53.6)	14,750 (65.6)
	9 (229)	14,920 (66.4)	16,340 (72.7)	18,490 (83.9)	23,110 (102.8)	32,130 (142.9)	35,195 (156.6)	40,640 (180.8)	48,775 (217.4)
	12 (305)	22,965 (102.2)	25,160 (111.9)	29,050 (129.2)	34,650 (154.1)	49,465 (220.0)	54,190 (241.0)	62,570 (278.3)	74,630 (332.0)
	20 (508)	49,415 (219.8)	52,045 (231.5)	54,340 (241.7)	57,750 (256.9)	106,435 (473.4)	112,100 (498.6)	117,045 (520.6)	124,385 (553.3)
1-1/4 ¹⁰	5 (127)	6,175 (27.5)	6,765 (30.1)	7,815 (34.8)	9,570 (42.6)	13,305 (59.2)	14,575 (64.8)	16,830 (74.9)	20,610 (91.7)
	11-1/4 (286)	22,850 (92.7)	22,840 (101.6)	26,370 (117.3)	32,295 (143.7)	44,905 (199.7)	49,190 (218.8)	56,800 (252.7)	69,565 (309.4)
	15 (381)	32,095 (142.8)	35,160 (156.4)	40,600 (180.6)	49,725 (221.2)	69,135 (307.5)	75,730 (336.9)	87,445 (389.0)	107,100 (476.4)
	25 (635)	69,060 (307.2)	75,655 (336.5)	80,800 (359.4)	85,865 (381.9)	148,750 (661.7)	162,945 (724.8)	174,030 (774.1)	184,945 (822.7)

1 See Section 3.1.8 for explanation on development of load values.
 2 See Section 3.1.8.6 to convert design strength value to ASD value.
 3 Linear interpolation between embedment depths and concrete compressive strengths is not permitted.
 4 Apply spacing, edge distance, and concrete thickness factors in tables 30-41 as necessary to the above values. Compare to the steel values in table 29. The lesser of the values is to be used for the design.
 5 Data is for temperature range A: Max. short term temperature = 130°F (55°C), max. long term temperature = 110°F (43°C).
 For temperature range B: Max. short term temperature = 176°F (80°C), max. long term temperature = 110°F (43°C) multiply above values by 0.89.
 Short term elevated concrete temperatures are those that occur over brief intervals, e.g., as a result of diurnal cycling. Long term concrete temperatures are roughly constant over significant periods of time.
 6 Tabular values are for dry or water saturated concrete conditions.
 For water-filled drilled holes multiply design strength by 0.51.
 For submerged (under water) applications multiply design strength by 0.44.
 7 Tabular values are for short term loads only. For sustained loads including overhead use, see Section 3.1.8.8.
 8 Tabular values are for normal-weight concrete only. For lightweight concrete multiply design strength by λ_c as follows:
 For sand-lightweight, $\lambda_c = 0.51$. For all-lightweight, $\lambda_c = 0.45$.
 9 Tabular values are for holes drilled in concrete with carbide tipped hammer drill bit. Diamond core drilling is not permitted in cracked concrete conditions except as indicated in note 10.
 10 Diamond core drilling with Hilti TE-YRT roughening tool is permitted for 3/4", 7/8", and 1 1/4" diameter anchors for dry and water-saturated concrete conditions. See Table 28
 11 Tabular values are for static loads only. For seismic loads, multiply cracked concrete tabular values in tension and shear by α_{sm} indicated below.
 See section 3.1.8.7 for additional information on seismic applications.
 3/8-in. diameter - $\alpha_{sm} = 0.69$
 1/2-in. diameter - $\alpha_{sm} = 0.70$
 5/8-in. diameter - $\alpha_{sm} = 0.71$
 3/4-in. diameter and larger - $\alpha_{sm} = 0.75$

3.2.4 HIT-RE 500 V3 Epoxy Adhesive Anchoring System

Table 29 - Steel design strength for Hilti HIT-V and HAS threaded rods¹

Nominal anchor diameter in.	HIT-V ASTM A307 Grade A ²			HAS-E ISO 898 Class 5.8 ²			HAS-E-B ASTM A193 B7 ³			HAS-R stainless steel ASTM F593 - AISI 304/316 SS ²		
	Tensile ⁴ ϕN_{sa} lb (kN)	Shear ⁵ ϕV_{sa} lb (kN)	Seismic Shear ⁶ $\phi V_{sa,eq}$ lb (kN)	Tensile ⁴ ϕN_{sa} lb (kN)	Shear ⁵ ϕV_{sa} lb (kN)	Seismic Shear ⁶ $\phi V_{sa,eq}$ lb (kN)	Tensile ⁴ ϕN_{sa} lb (kN)	Shear ⁵ ϕV_{sa} lb (kN)	Seismic Shear ⁶ $\phi V_{sa,eq}$ lb (kN)	Tensile ⁴ ϕN_{sa} lb (kN)	Shear ⁵ ϕV_{sa} lb (kN)	Seismic Shear ⁶ $\phi V_{sa,eq}$ lb (kN)
3/8	3,025 (13.5)	1,675 (7.5)	1,175 (5.2)	3,655 (16.3)	2,020 (9.0)	1,415 (6.3)	7,265 (32.3)	3,775 (16.8)	2,645 (11.8)	5,040 (22.4)	2,790 (12.4)	1,955 (8.7)
1/2	5,535 (24.6)	3,065 (13.6)	2,145 (9.5)	6,690 (29.8)	3,705 (16.5)	2,595 (11.5)	13,300 (59.2)	6,915 (30.8)	4,840 (21.5)	9,225 (41.0)	5,110 (22.7)	3,575 (15.9)
5/8	8,815 (39.2)	4,880 (21.7)	3,415 (15.2)	10,650 (47.4)	5,900 (26.2)	4,130 (18.4)	21,190 (94.3)	11,020 (49.0)	7,715 (34.3)	14,690 (65.3)	8,135 (36.2)	5,695 (25.3)
3/4	13,045 (58.0)	7,225 (32.1)	5,060 (22.5)	15,765 (70.1)	8,730 (38.8)	6,110 (27.2)	31,360 (139.5)	16,305 (72.5)	11,415 (50.8)	18,480 (82.2)	10,235 (45.5)	7,165 (31.9)
7/8	-	-	-	21,755 (96.8)	12,050 (53.6)	8,435 (37.5)	43,285 (192.5)	22,505 (100.1)	15,755 (70.1)	25,510 (113.5)	14,125 (62.8)	9,890 (44.0)
1	23,620 (105.1)	13,085 (58.2)	9,160 (40.7)	28,540 (127.0)	15,865 (70.3)	11,065 (49.2)	56,785 (252.6)	29,525 (131.3)	20,670 (91.9)	33,465 (148.9)	18,535 (82.4)	12,975 (57.7)
1-1/4	-	-	-	45,670 (203.1)	25,295 (112.5)	17,705 (78.8)	90,850 (404.1)	47,240 (210.1)	33,070 (147.1)	53,540 (238.2)	29,655 (131.9)	20,760 (92.3)

1 See Section 3.1.8.6 to convert design strength value to ASD value.

2 HIT-V, HAS-E, and HAS-R threaded rods are considered brittle steel elements. HIT-V does not comply with % elongation requirements of ASTM A307 Grade A steel. HAS-E does not comply with % elongation requirements of ISO 898-1.

3 HAS-E-B7 rods are considered ductile steel elements.

4 Tensile = $\phi A_{sa} N_{sa}$ as noted in ACI 318 Chapter 17.

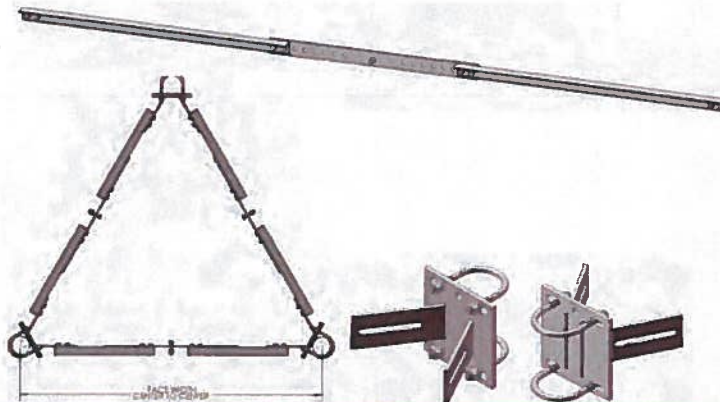
5 Shear = $\phi 0.60 A_{sa} V_{sa}$ as noted in ACI 318 Chapter 17.

6 Seismic Shear = $\alpha_{V_{sa,eq}} \phi V_{sa}$: Reduction for seismic shear only. See section 3.1.8.7 for additional information on seismic applications.

$L=15' \pm$; to be field

*** Tapered Self-Support Tower Sub-Horizontals**

- Designed to strengthen tower legs by reducing their KL/r value
- Complete kits contain (6) Angles, (3) Brackets, (3) Center Plates, (6) 5/8" U-bolts, (27) 5/8" Bolts
- All material is minimum A36, Hardware is A325X, Hot-Dip Galvanized
- Connections use Squirter® F959 DTI washers to ensure proper installed bolt tension
- Double bolted angle connections at both ends
- Brackets center themselves on legs with the welded solid rods on backside
- Specify leg butterfly bracket kit + angle / center plate kit [Qty: (3) per Kit]



Mfr	Sub Horizontal Angle & Center Plate					
	Tower Face Width Range (ft)	Center Plate Size	Sub-Horizontal Size	Φ Pn (kips)	Leg Pu* (kips)	Kit #
Structural Components	5 - 6	3/8" x 3"	2" x 2" x 3/16"	20.00	800	RSH-0605-06
	6 - 7	3/8" x 3"	2" x 2" x 3/16"	18.00	720	RSH-0606-07
	7 - 9	3/8" x 3"	2" x 2" x 1/4"	13.75	550	RSH-0607-09
	9 - 11	3/8" x 3"	2" x 2" x 1/4"	9.50	380	RSH-0609-11
	11 - 13	3/8" x 3"	2-1/2" x 2-1/2" x 1/4"	12.13	485	RSH-0611-13
	13 - 15	1/2" x 4"	2-1/2" x 2-1/2" x 1/4"	8.50	340	RSH-0613-15
	15 - 17	1/2" x 4"	3" x 3" x 1/4"	16.50	660	RSH-0615-17
	17 - 19	1/2" x 4"	3" x 3" x 1/4"	12.50	500	RSH-0617-19
	19 - 21	5/8" x 4"	3-1/2" x 3-1/2" x 1/4"	16.00	640	RSH-0619-21
	21 - 23	5/8" x 4"	3-1/2" x 3-1/2" x 1/4"	12.88	515	RSH-0621-23
	23 - 25	5/8" x 4"	4" x 4" x 1/4"	15.88	635	RSH-0623-25

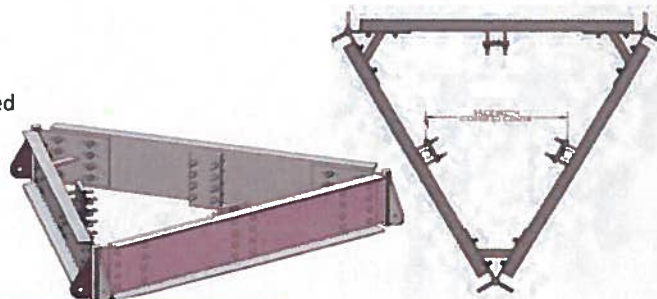
Leg Butterfly Bracket		
Leg Ø Range (O.D.) (in)	U-Bolt Size	Kit #
1.5 - 2.5	5/8" x 2-9/16"	RSH-0515-25
2.5 - 3.5	5/8" x 3-9/16"	RSH-0525-35
3.5 - 4.5	5/8" x 4-9/16"	RSH-0535-45
4.5 - 6.75	5/8" x 6-13/16"	RSH-0545-68
6.75 - 8.625	5/8" x 8-11/16"	RSH-0568-86
8.625 - 10.75	5/8" x 10-13/16"	RSH-0586-00

*CAPACITY BASED ON FULLY LOADING HORIZONTAL WITH 2.5% OF LEG COMPRESSION

NOTE: Order (1) RSH-05###-### kit and (1) RSH-06###-### kit for (1) full sub-horizontal assembly

Guyed Tower Torque Arm

- Designed to provide torsion resistance to guyed towers when needed
- Kits contain all materials to bolt torque arm onto tower
- All material is minimum A572-50, Hardware is A325X, Hot-Dip Galvanized
- Connections use Squirter F959 DTI washers to ensure proper installed bolt tension
- Fits guyed towers with 1.25" - 3.5" OD Legs
- Add split pipe sleeve kit if tower leg is 2" SCH 40, 2.5" SCH 40 or 3" SCH 40 [Qty: (3) per kit]
- Use split pipe sleeves to avoid crimping thin wall pipe legs



Mfr	Face Width (C-C) (in)	EHS WIRE SIZE									
		< 5/16"	3/8"	7/16"	1/2"	9/16"	5/8"	11/16"	3/4"	7/8"	1"
Structural Components	18	RTA-1135-18			RTA-1235-18						
	24	RTA-1135-24			RTA-1235-24						RTA-1335-24
	30	RTA-1135-30			RTA-1235-30						RTA-1335-30
	33	RTA-1135-33			RTA-1235-33						RTA-1335-33
	36	RTA-1235-36						RTA-1335-36			
	39	RTA-1235-39						RTA-1335-39			
	41	RTA-1235-41						RTA-1335-41			
	42	RTA-1235-42						RTA-1335-42			
	45	RTA-1235-45						RTA-1335-45			
	48	RTA-1235-48						RTA-1335-48			
	54	RTA-1235-54						RTA-1335-54			
	57	RTA-1235-57						RTA-1335-57			
	60	RTA-1235-60						RTA-1335-60			
	72	RTA-1235-72			RTA-1335-72						



Towers with SCH 40 Pipe Legs:
Split Pipe Sleeves

Leg OD	Kit #
2.375"	RGA-1000-23
2.875"	RGA-1000-28
3.5"	RGA-1000-35

LIGHT MEDIUM HEAVY

About AECOM

AECOM (NYSE: ACM) is a global provider of professional technical and management support services to a broad range of markets, including transportation, facilities, environmental, energy, water and government. With approximately 45,000 employees around the world, AECOM is a leader in all of the key markets that it serves. AECOM provides a blend of global reach, local knowledge, innovation, and collaborative technical excellence in delivering solutions that enhance and sustain the world's built, natural, and social environments. A Fortune 500 company, AECOM serves clients in more than 100 countries and has annual revenue in excess of \$6 billion.

More information on AECOM and its services can be found at www.aecom.com.

500 Enterprise Drive, Suite 3B
Rocky Hill, CT 06067
860-529-8882
Fax: 860-529-3991