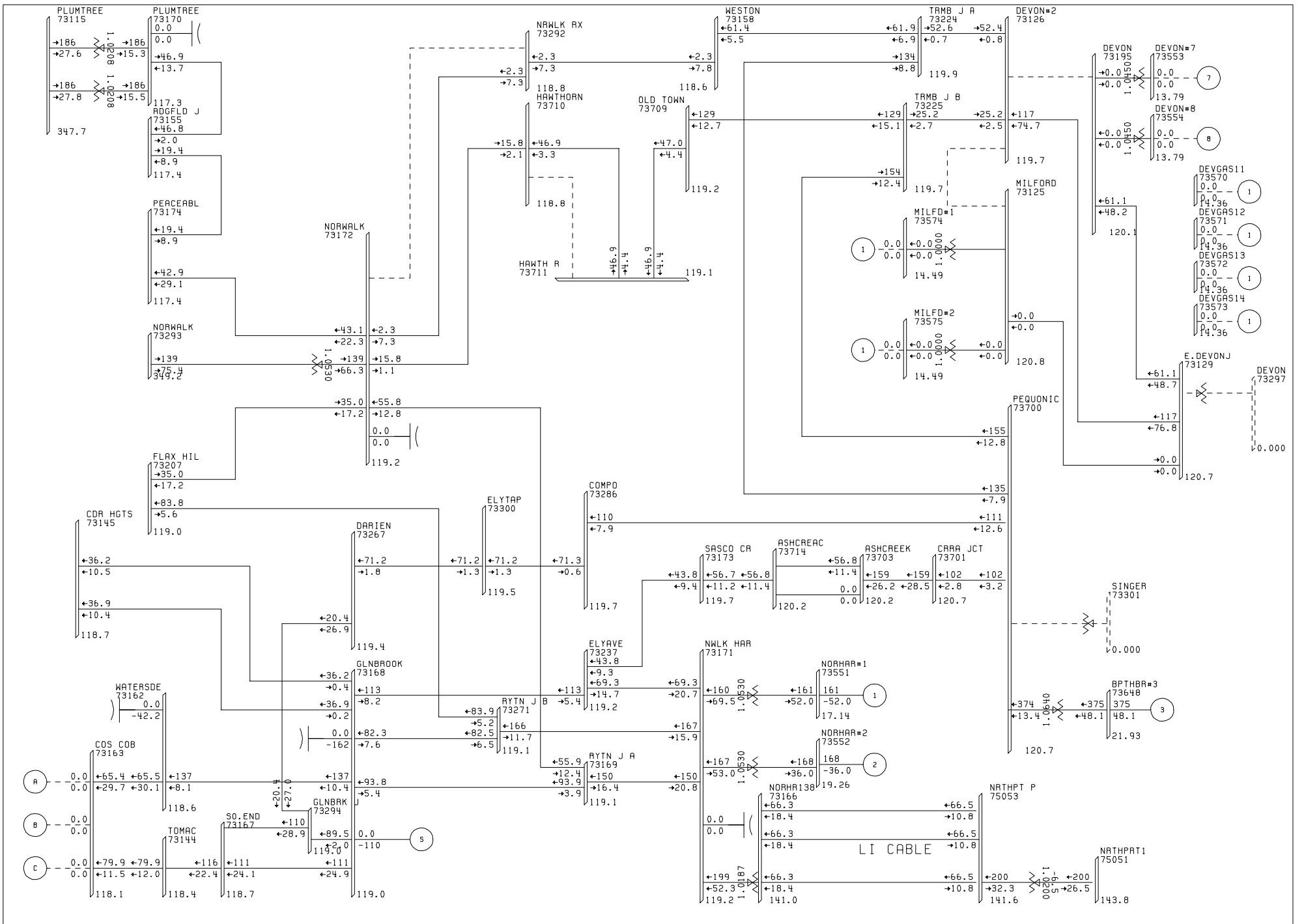


PHASE2-ALT2-NY-NE-091503-5KL, 27673 NE L+L, KLEEN ON,NHH OFF  
 PHASE1-XP, PHASE2-ALT2, HPFF DEV-SING-NOR, PHASE 2 MODS  
 FRI, OCT 01 2004 17:25

100% RAIEA  
 KV: ≤115 , ≤138 , ≤345

BUS - VOLTAGE (KV/PU)  
 BRANCH - MW/MVAR  
 EQUIPMENT - MW/MVAR



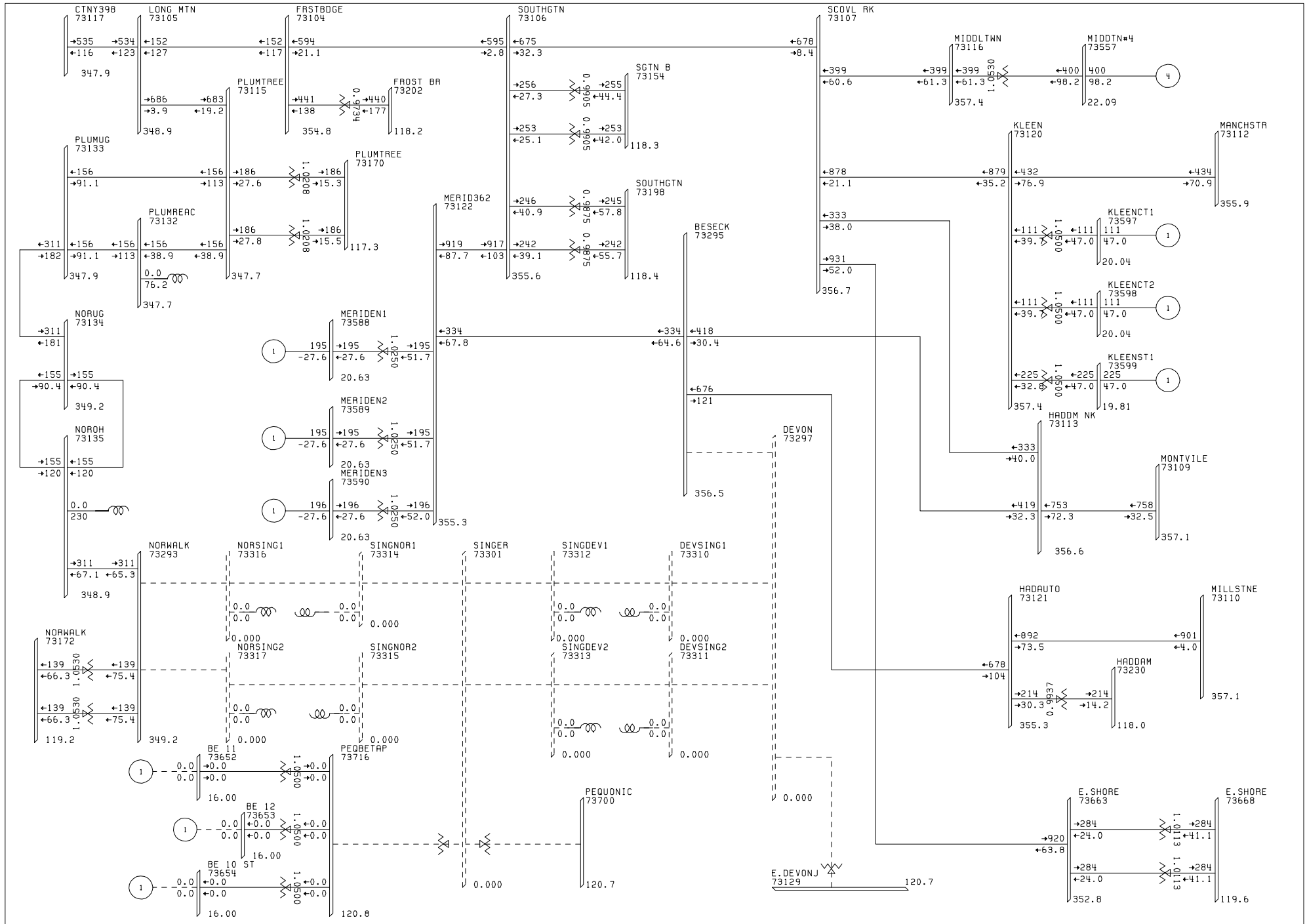
PHASE2-ALT2-NY-NE-091503-5KL, 27673 NE L+L, KLEEN ON,NHH OFF  
 PHASE1-XP, PHASE2-ALT2, HPFF DEV-SING-NOR, PHASE 2 MODS  
 FRI, OCT 01 2004 17:25


100%\_RATEA  
 KV: ≤115 , ≤138 , ≤345

BUS - VOLTAGE (KV)  
 BRANCH - MW/MVAR  
 EQUIPMENT - MW/MVAR



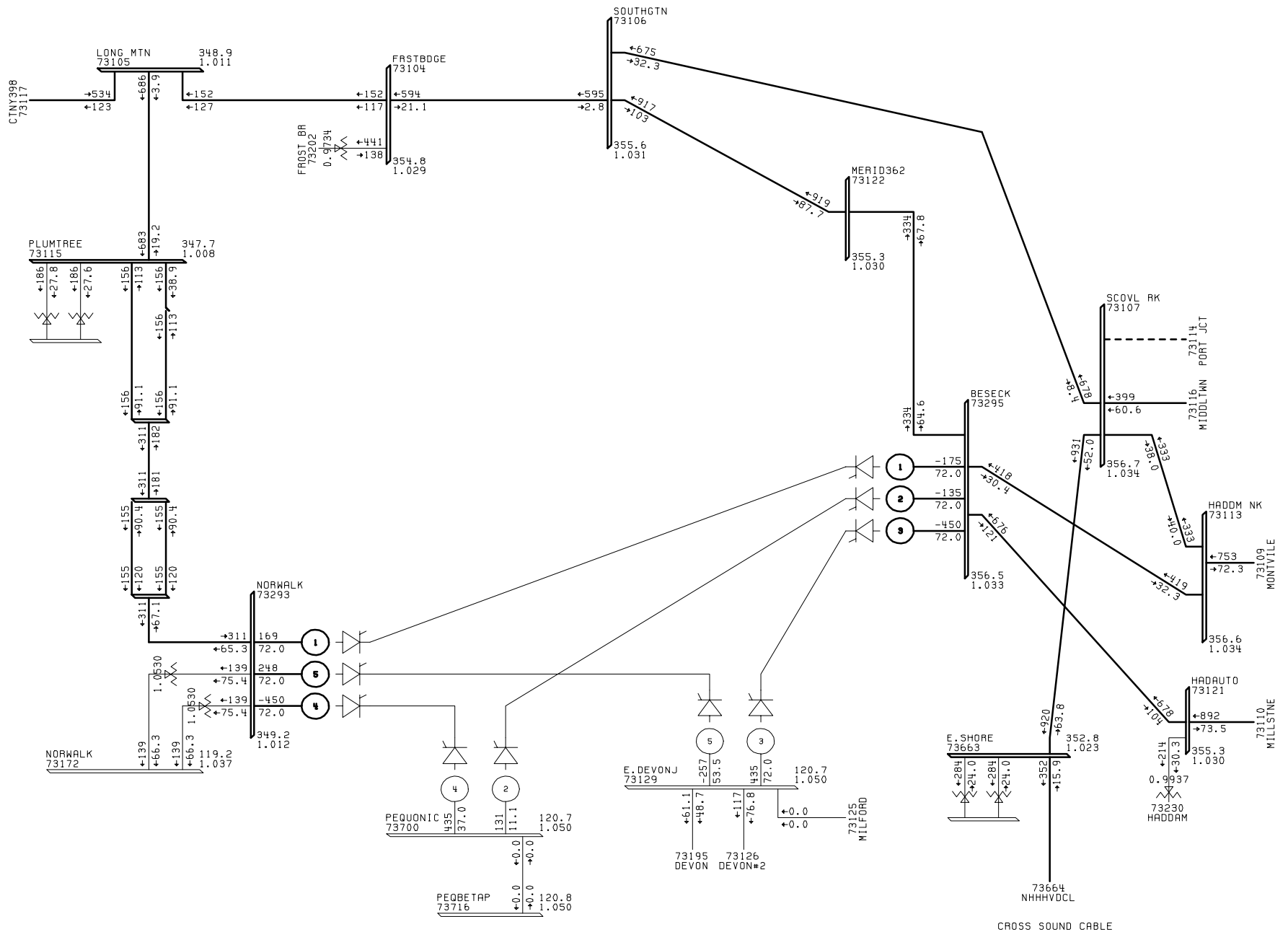
SHAW POWER TECHNOLOGIES INC.




 PHASE2-ALT2-NY-NE-091503-5KL, 27673 NE L+L, KLEEN ON,NHH OFF  
 PHASE1-XP, PHASE2-ALT2, HPFF DEV-SING-NOR, PHASE 2 MODS  
 FRI, OCT 01 2004 17:25

100%\_RATEA

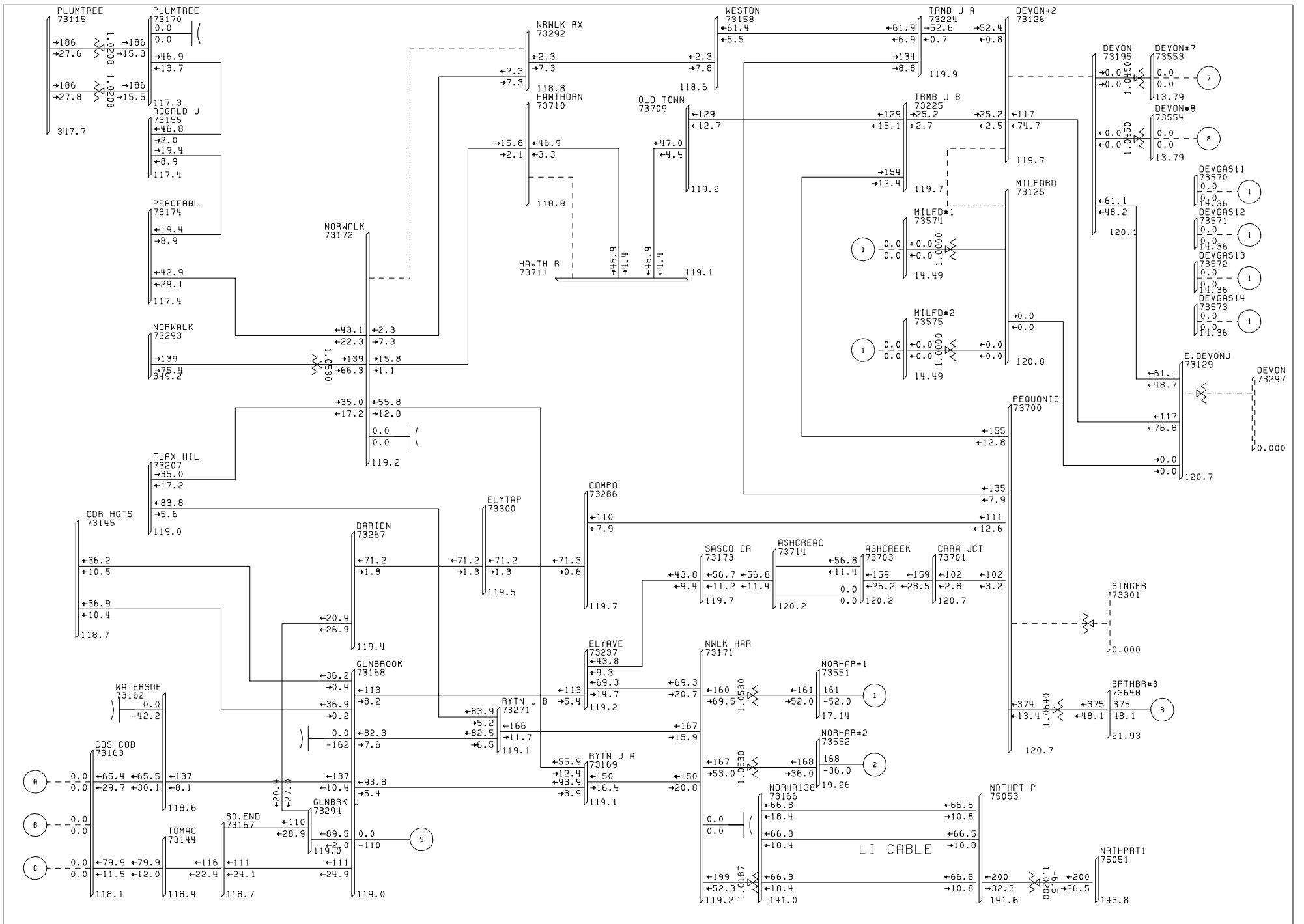
BUS - VOLTAGE (KV)  
 BRANCH - MW/MVAR  
 EQUIPMENT - MW/MVAR



PHASE2-ALT2-NY-NE-091503-5KL, 27673 NE L+L, KLEEN ON,NHH OFF  
 PHASE1-XP, PHASE2-ALT2, HPFF DEV-SING-NOR, PHASE 2 MODS  
 FRI, OCT 01 2004 17:25

100% RAIEA  
 KV: ≤115 , ≤138 , ≤345

BUS - VOLTAGE (KV/PU)  
 BRANCH - MW/MVAR  
 EQUIPMENT - MW/MVAR



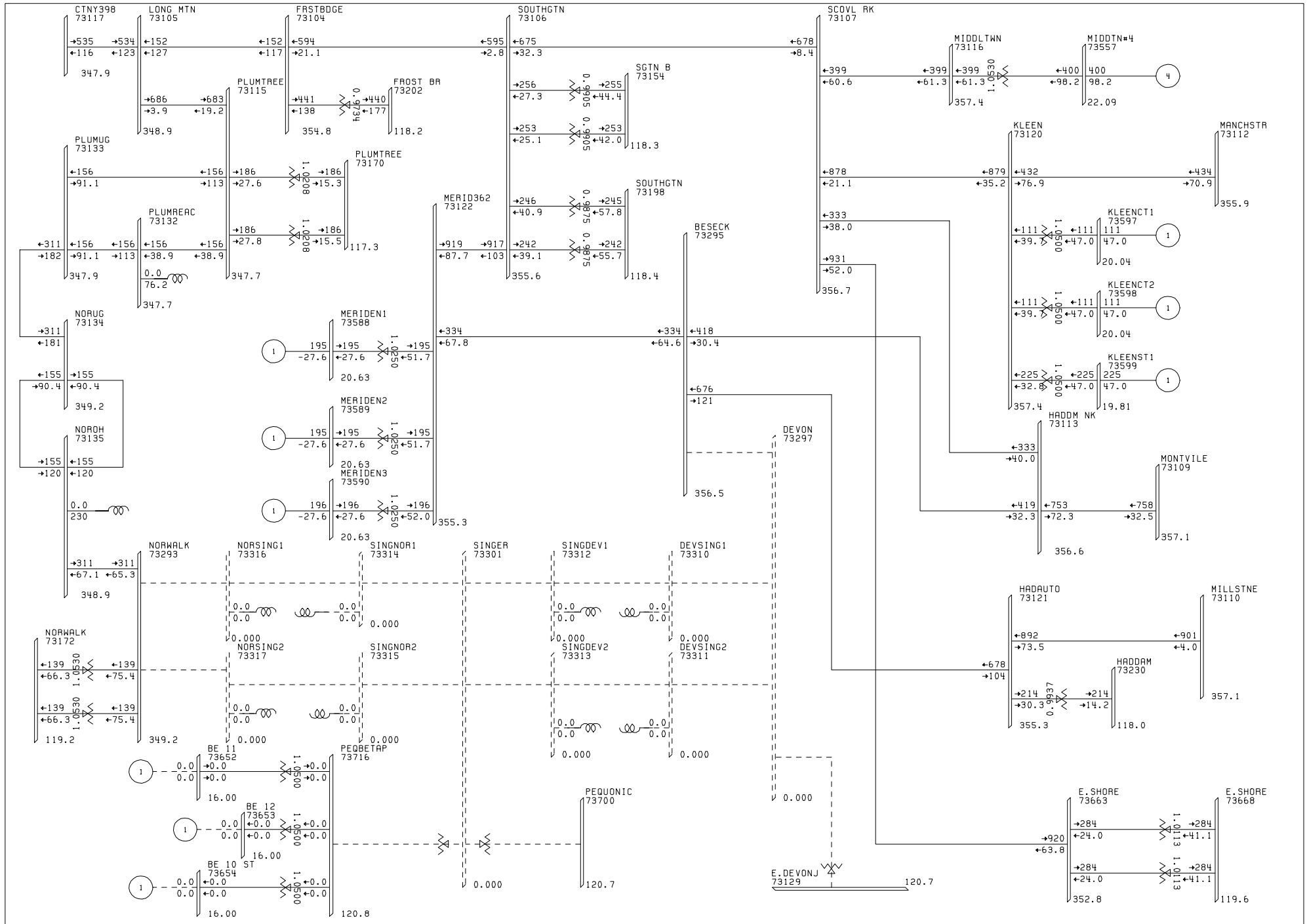
PHASE2-ALT2-NY-NE-091503-5KL, 27673 NE L+L, KLEEN ON,NHH OFF  
 PHASE1-XP, PHASE2-ALT2, HPFF DEV-SING-NOR, PHASE 2 MODS  
 FRI, OCT 01 2004 17:25


100%\_RATEA  
 KV: ≤115 , ≤138 , ≤345

BUS - VOLTAGE (KV)  
 BRANCH - MW/MVAR  
 EQUIPMENT - MW/MVAR



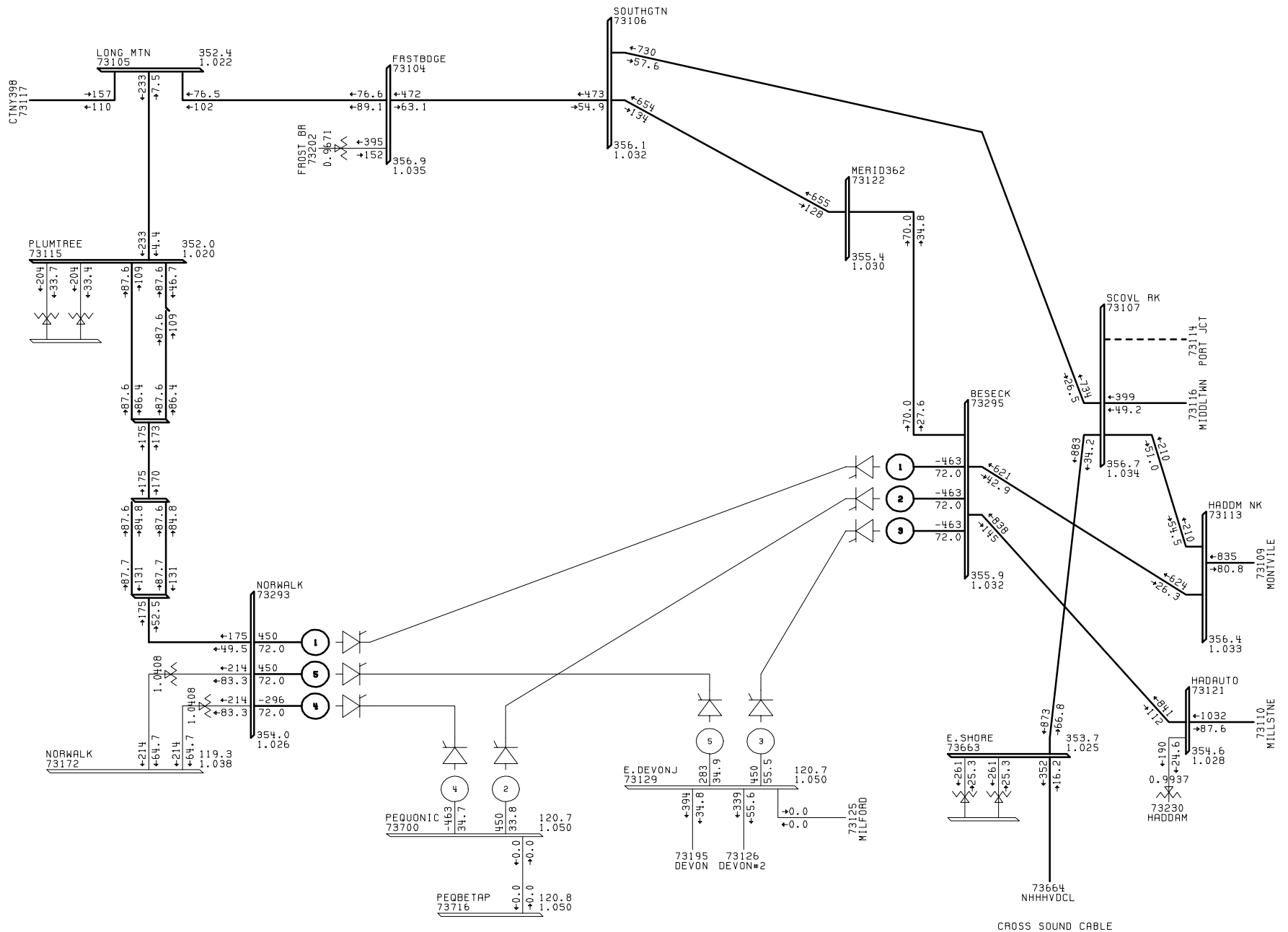
SHAW POWER TECHNOLOGIES INC.




 PHASE2-ALT2-NY-NE-091503-5KL, 27673 NE L+L, KLEEN ON,NHH OFF  
 PHASE1-XP, PHASE2-ALT2, HPFF DEV-SING-NOR, PHASE 2 MODS  
 FRI, OCT 01 2004 17:25

100%\_RATEA

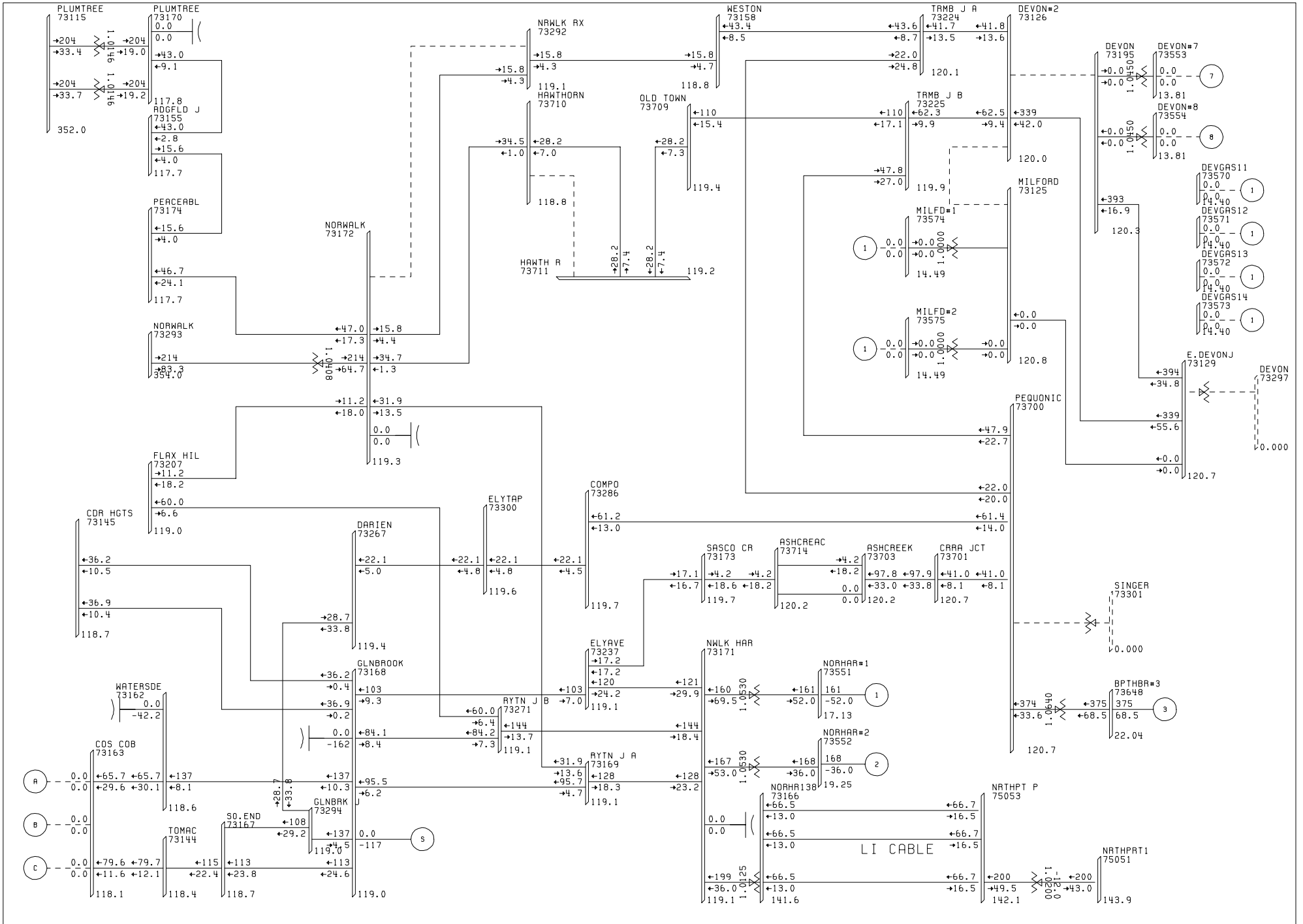
BUS - VOLTAGE (KV)  
 BRANCH - MW/MVAR  
 EQUIPMENT - MW/MVAR



PHASE2-ALT2-NE-NY-091503-5KL, 27673 NE L+L, KLEEN ON,NHH OFF  
 PHASE1-XP, PHASE2-ALT2, HPFF DEV-SING-NOR, PHASE 2 MODS  
 FRI, OCT 01 2004 17:25

100% RAIEA  
 KV: <115 , <138 , <345

BUS - VOLTAGE (KV/PU)  
 BRANCH - MW/MVAR  
 EQUIPMENT - MW/MVAR



PHASE2-ALT2-NE-NY-091503-5KL, 27673 NE L+L, KLEEN ON, NHH OFF  
 PHASE1-XP, PHASE2-ALT2, HPFF DEV-SING-NOR, PHASE 2 MODS  
 FRI, OCT 01 2004 17:25

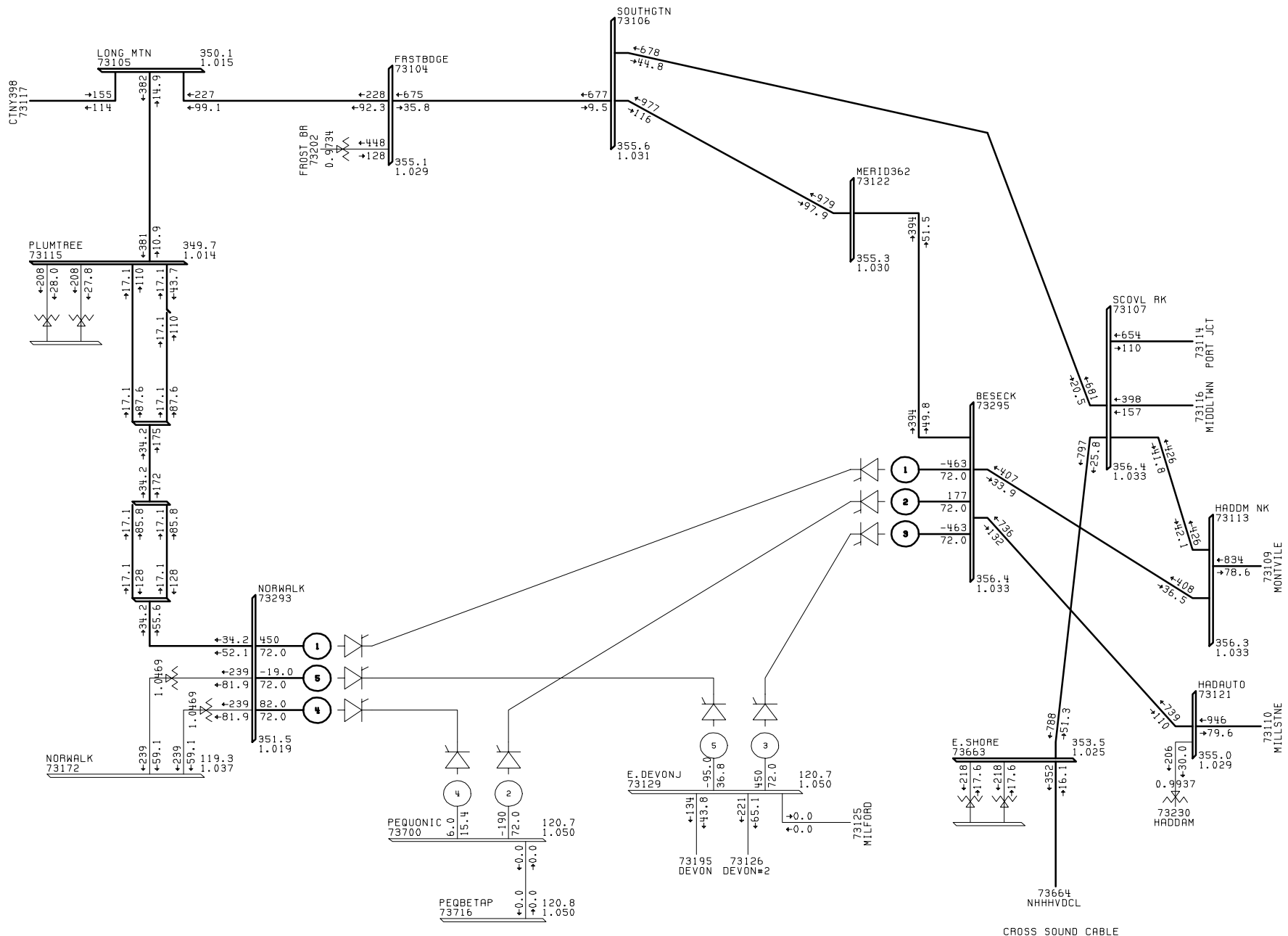
100%\_RATEA  
 KV: ≤115 , ≤138 , ≤345

BUS - VOLTAGE (KV)  
 BRANCH - MW/MVAR  
 EQUIPMENT - MW/MVAR





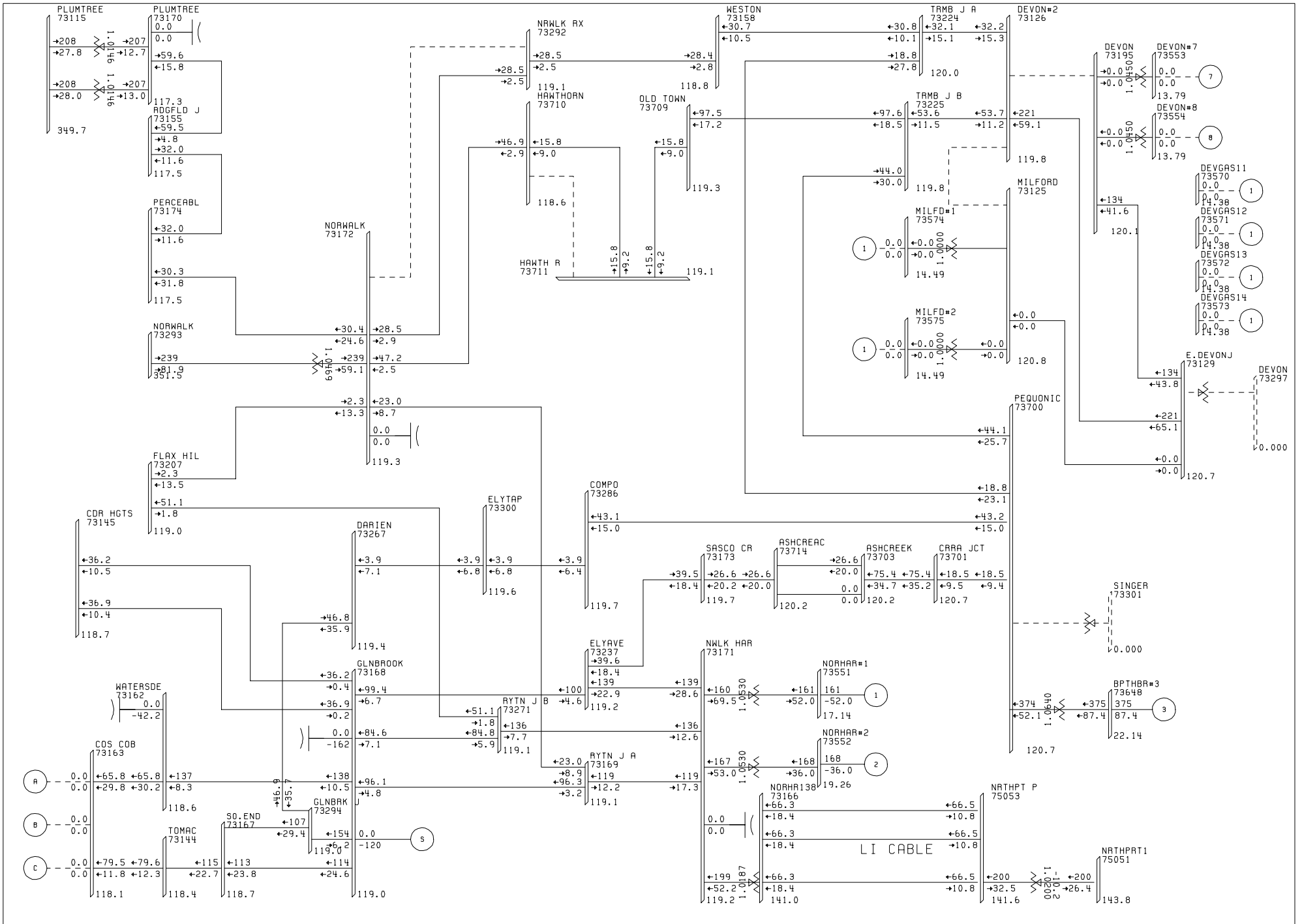




PH2-ALT2-NY-NE-091503-5, 27673 LD+LOSSES, NY TO NE = 700 MW  
 PHASE1-XP, PHASE2-ALT2, HPFF DEV-SING-NOR, PHASE 2 MODS  
 FRI, OCT 01 2004 17:25

100% RATED  
 KV: ≤115 , ≤138 , ≤345

BUS - VOLTAGE (KV/PU)  
 BRANCH - MW/MVAR  
 EQUIPMENT - MW/MVAR



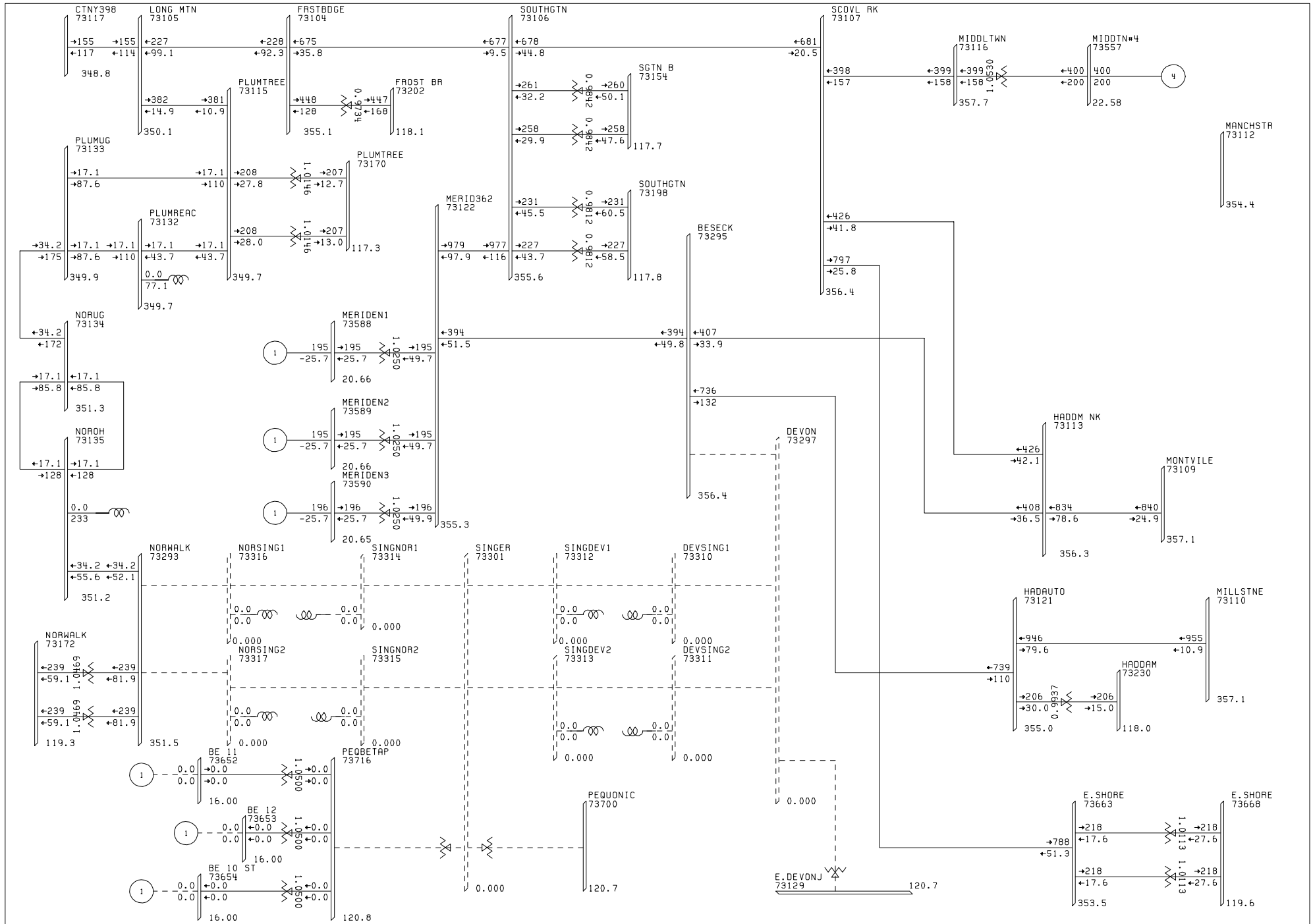
PH2-ALT2-NY-NE-091503-5, 27673 LD+LOSSES, NY TO NE = 700 MW  
 PHASE1-XP, PHASE2-ALT2, HPFF DEV-SING-NOR, PHASE 2 MODS  
 FRI, OCT 01 2004 17:25

100%\_RATEA  
 KV: ≤115 , ≤138 , ≤345

BUS - VOLTAGE (KV)  
 BRANCH - MW/MVAR  
 EQUIPMENT - MW/MVAR



SHAW POWER  
 TECHNOLOGIES  
 INC.

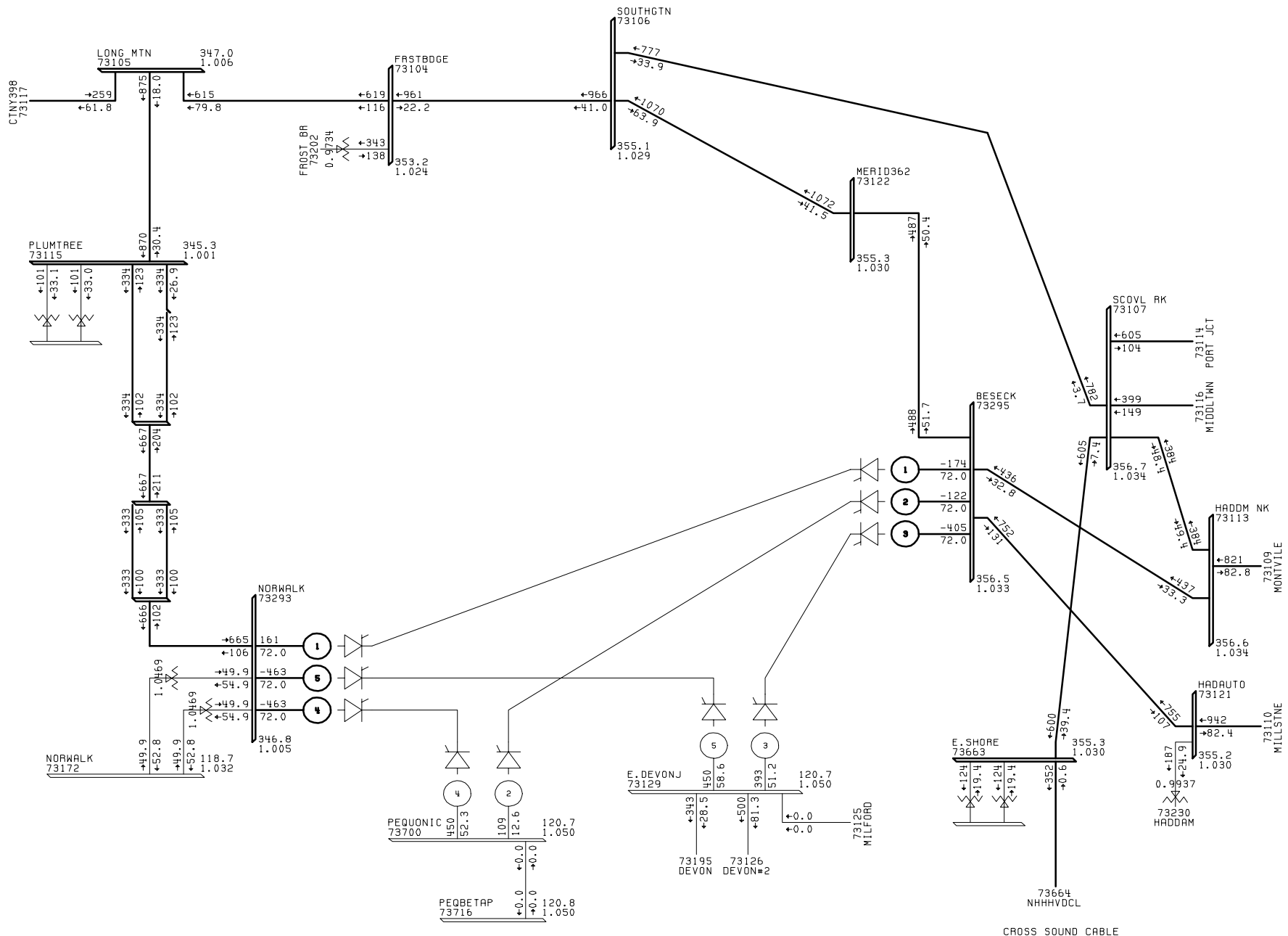


PH2-ALT2-NY-NE-091503-5, 27673 LD+LOSSES, NY TO NE = 700 MW  
 PHASE1-XP, PHASE2-ALT2, HPFF DEV-SING-NOR, PHASE 2 MODS  
 FRI, OCT 01 2004 17:25

100%\_RATEA

BUS - VOLTAGE (KV)  
 BRANCH - MW/MVAR  
 EQUIPMENT - MW/MVAR

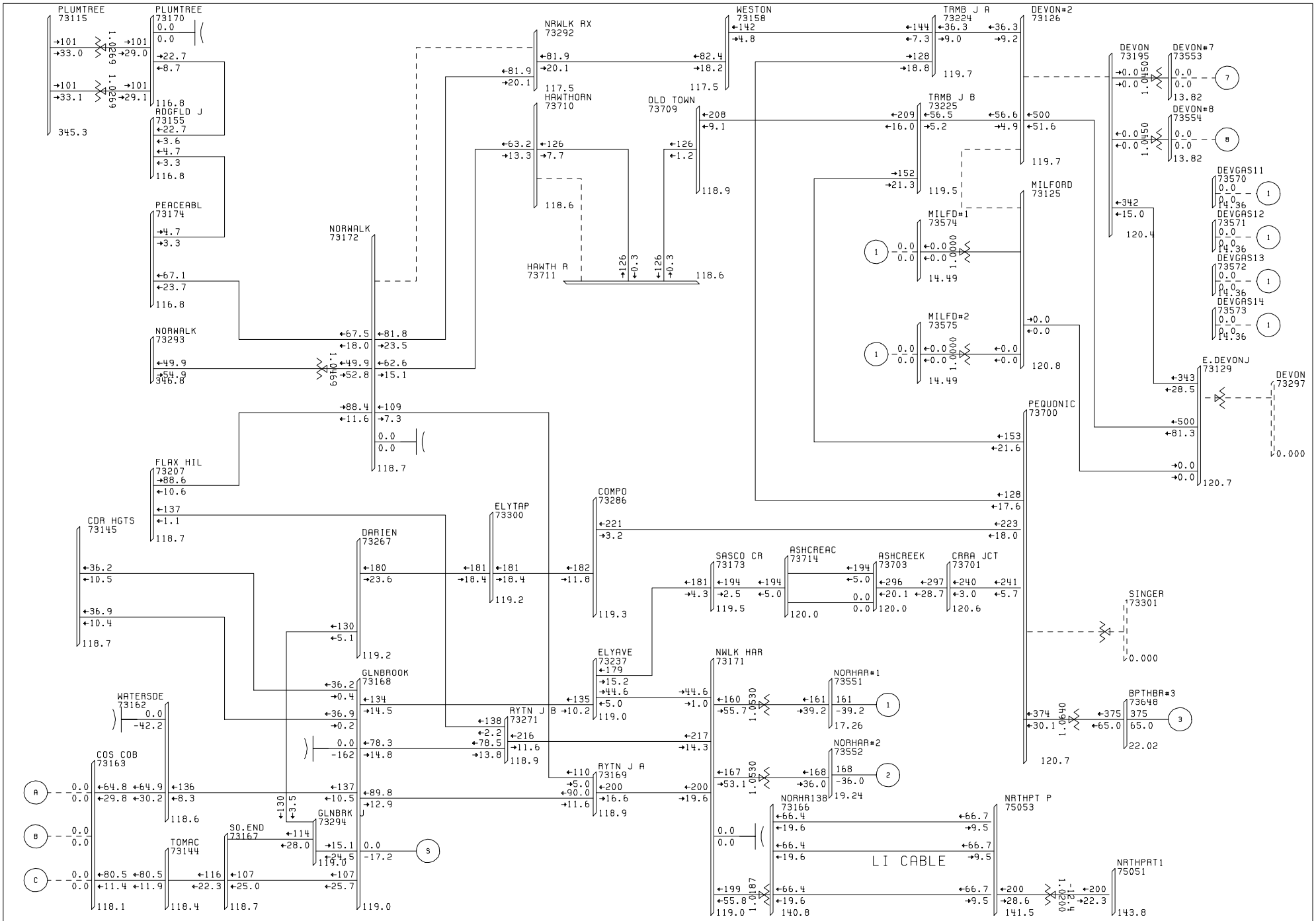




PHASE2-ALT2-091503-5, 2000 NE LIBRARY NE, 27673 LD+LOSSES  
 PHASE1-XP, PHASE2-ALT2, HPFF DEV-SING-NOR, PHASE 2 MODS  
 FRI, OCT 01 2004 17:25

100% RATED  
 KV: ≤115, ≤138, ≤345

BUS - VOLTAGE (KV/PU)  
 BRANCH - MW/MVAR  
 EQUIPMENT - MW/MVAR

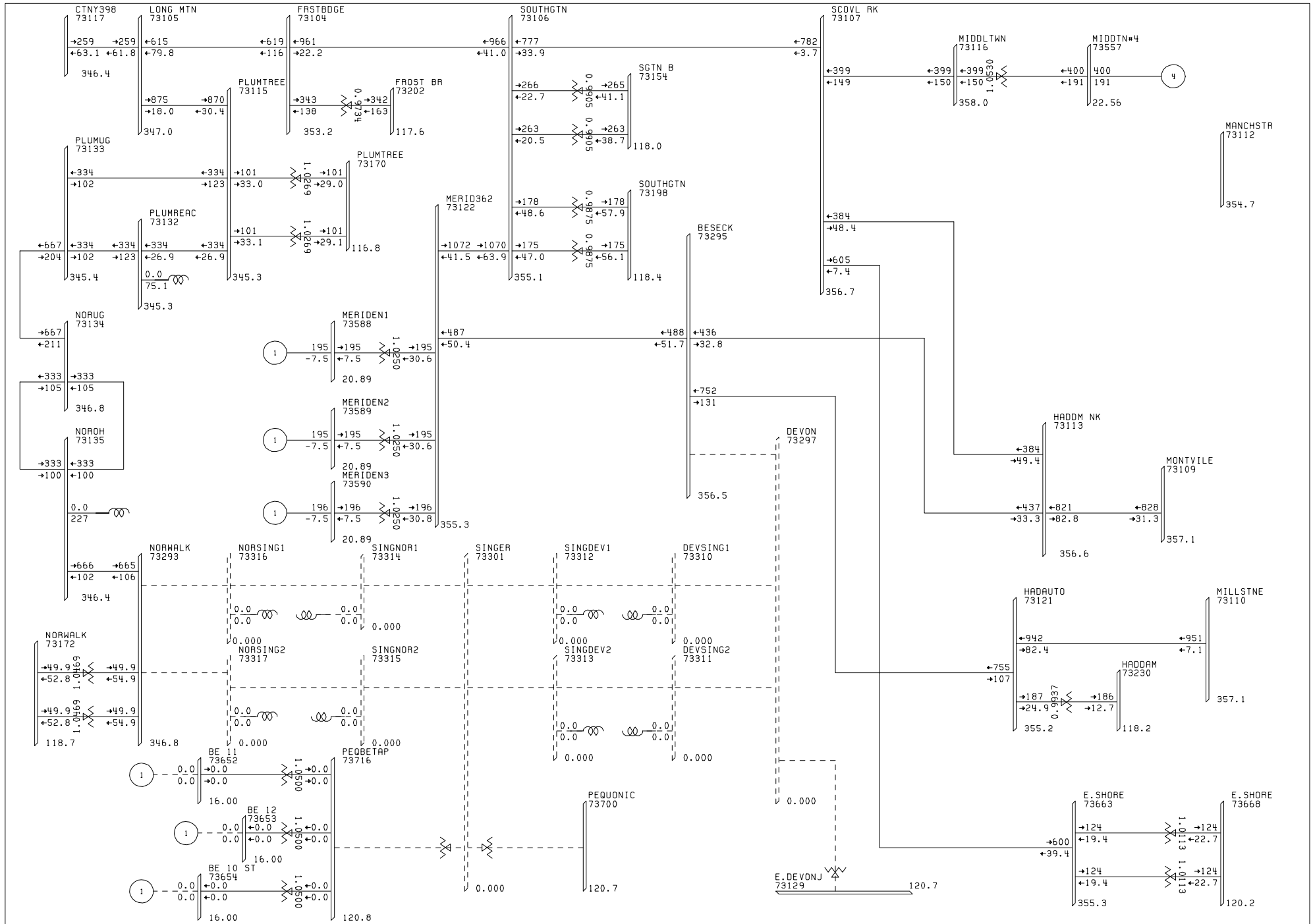


PHASE2-ALT2-091503-5, 2000 NE LIBRARY NE, 27673 LD+LOSSES  
 PHASE1-XP, PHASE2-ALT2, HPFF DEV-SING-NOR, PHASE 2 MODS  
 FRI, OCT 01 2004 17:25

100%\_RATEA  
 KV: ≤115 , ≤138 , ≤345

BUS - VOLTAGE (KV)  
 BRANCH - MW/MVAR  
 EQUIPMENT - MW/MVAR



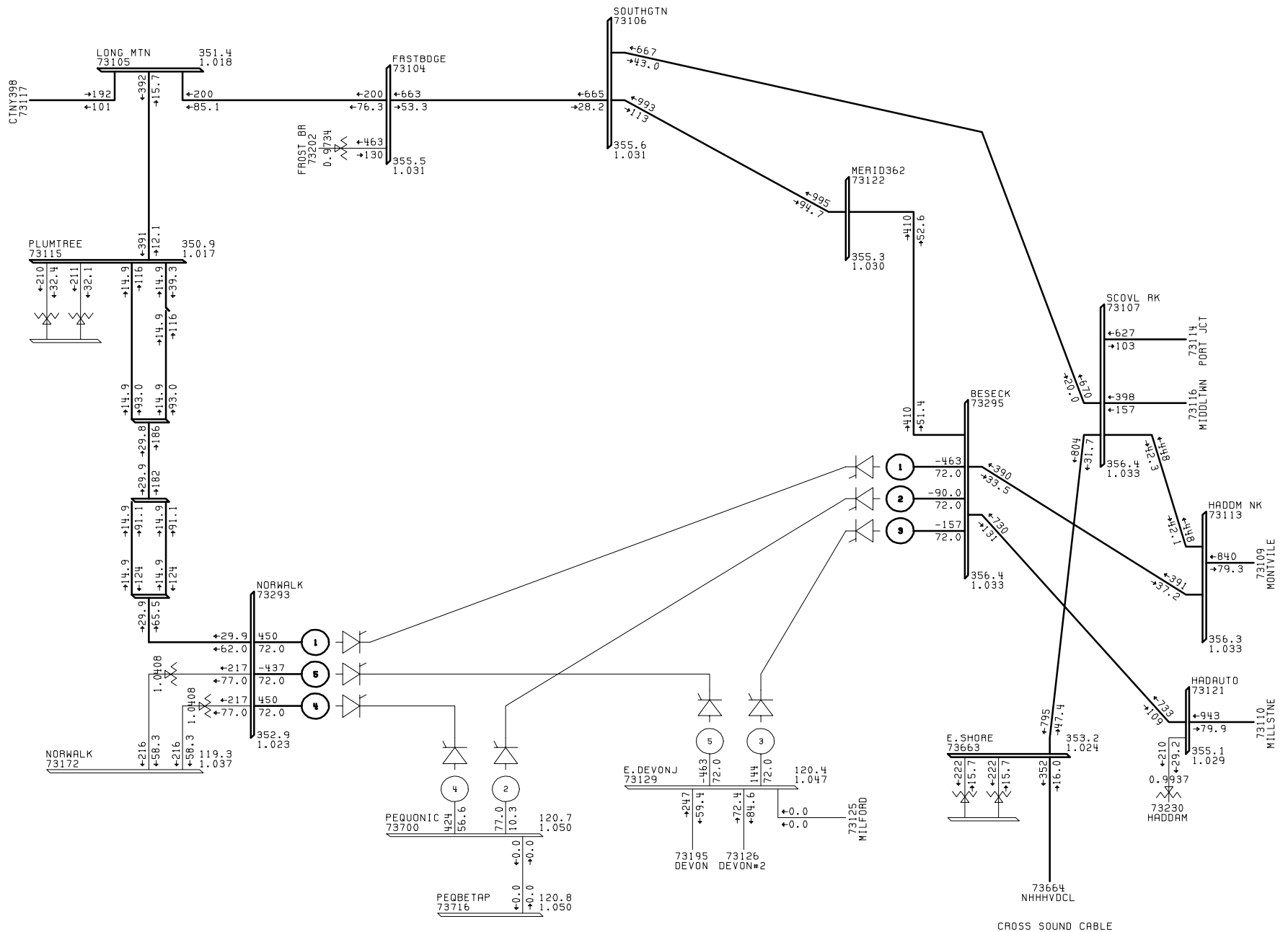


PHASE2-ALT2-091503-5, 2000 NE LIBRARY NE, 27673 LD+LOSSES  
 PHASE1-XP, PHASE2-ALT2, HPFF DEV-SING-NOR, PHASE 2 MODS  
 FRI, OCT 01 2004 17:25

100%\_RATEA

BUS - VOLTAGE (KV)  
 BRANCH - MW/MVAR  
 EQUIPMENT - MW/MVAR



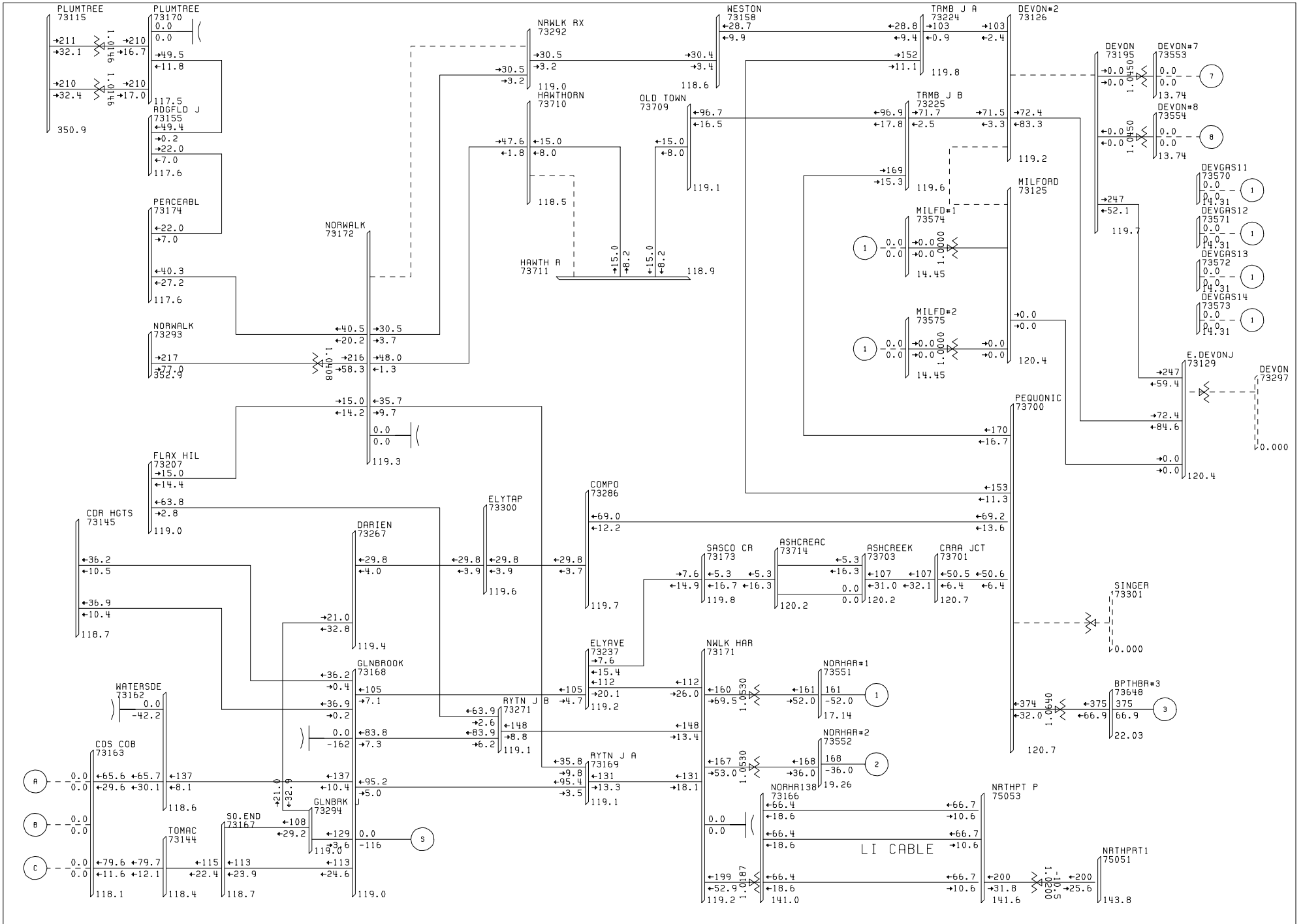


PH2-ALT2-NE-NY-091503-5, 27673 LD+LOSSES, NE TO NY = 700 MW  
 PHASE1-XP, PHASE2-ALT2, HPFF DEV-SING-NOR, PHASE 2 MODS  
 FRI, OCT 01 2004 17:25

100% RAIEA  
 KV: ≤115 , ≤138 , ≤345

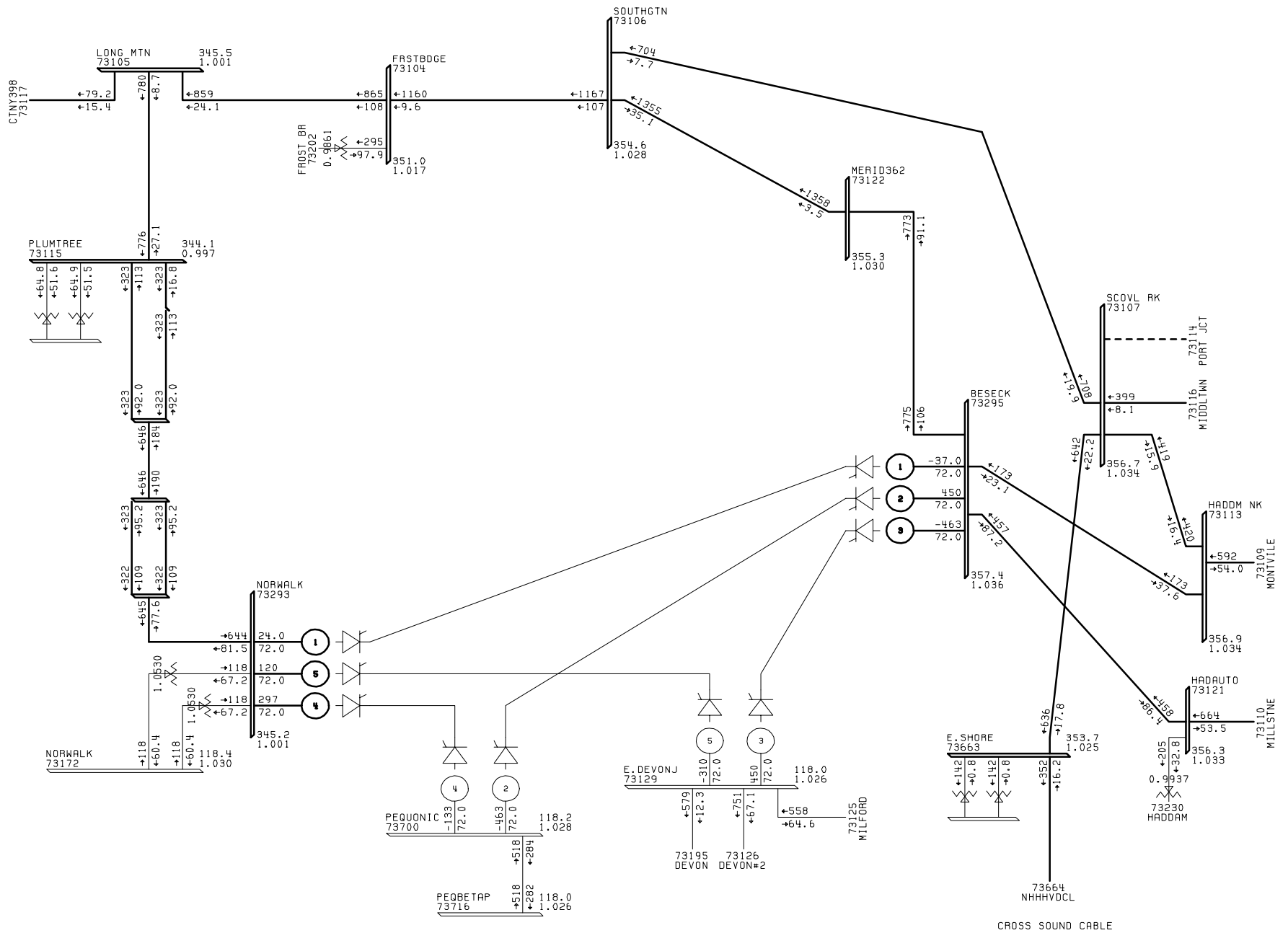
BUS - VOLTAGE (KV/PU)  
 BRANCH - MW/MVAR  
 EQUIPMENT - MW/MVAR





	<p>PH2-ALT2-NE-NY-091503-5, 27673 LD+LOSSES, NE TO NY = 700 MW          PHASE1-XP, PHASE2-ALT2, HPFF DEV-SING-NOR, PHASE 2 MODS          FRI, OCT 01 2004 17:25</p>	<p>100%_RATEA          KV: ≤115 , ≤138 , ≤345</p>	<p>BUS - VOLTAGE (KV)          BRANCH - MW/MVAR          EQUIPMENT - MW/MVAR</p>
--	---	---	--



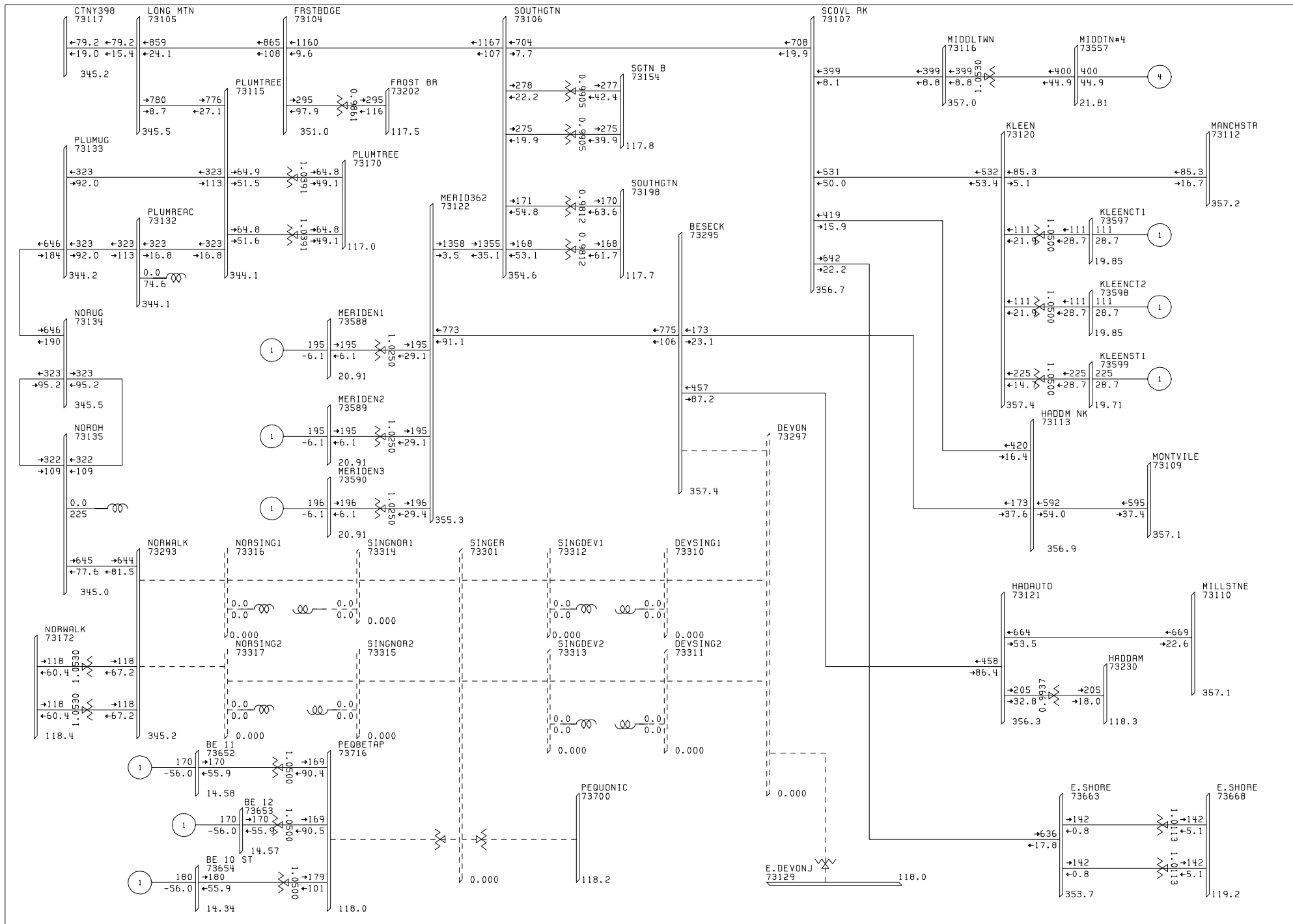


PHASE2-ALT2-NY-NE-091503-4KL, 27673 NE L+L, KLEEN ON,NHH OFF  
 PHASE1-XP, PHASE2-ALT2, HPFF DEV-SING-NOR, PHASE 2 MODS  
 FRI, OCT 01 2004 17:25

100% RAIEA  
 KV: ≤115 , ≤138 , ≤345

BUS - VOLTAGE (KV/PU)  
 BRANCH - MW/MVAR  
 EQUIPMENT - MW/MVAR





PHASE2-ALT2-NY-NE-091503-4KL, 27673 NE L+L, KLEEN ON,NHH OFF  
 PHASE1-XP, PHASE2-ALT2, HPFF DEV-SING-NOR, PHASE 2 MODS  
 FRI, OCT 01 2004 17:25

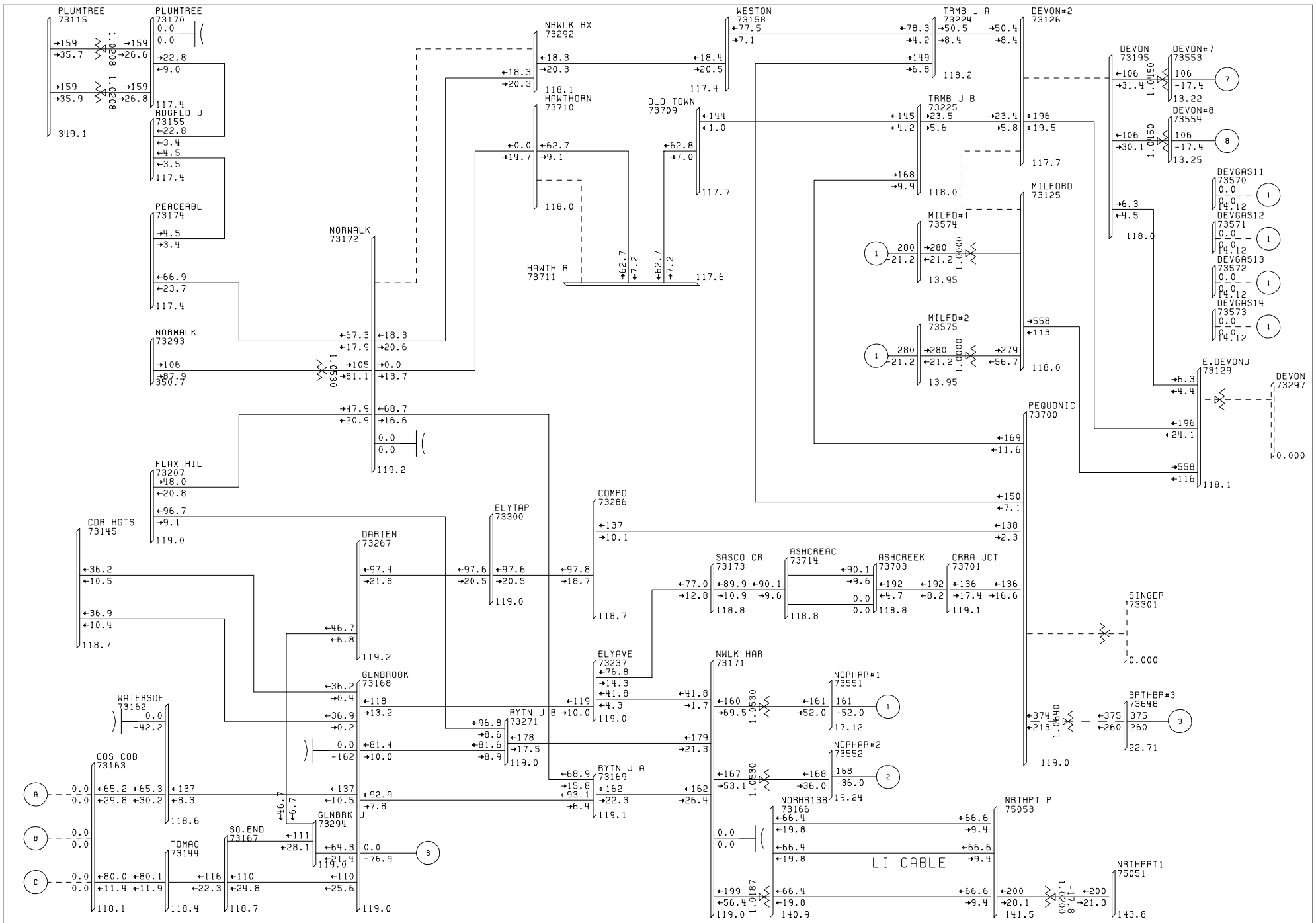
100%\_RATEA

BUS - VOLTAGE (KV)  
 BRANCH - MW/MVAR  
 EQUIPMENT - MW/MVAR



SHAW POWER TECHNOLOGIES INC.





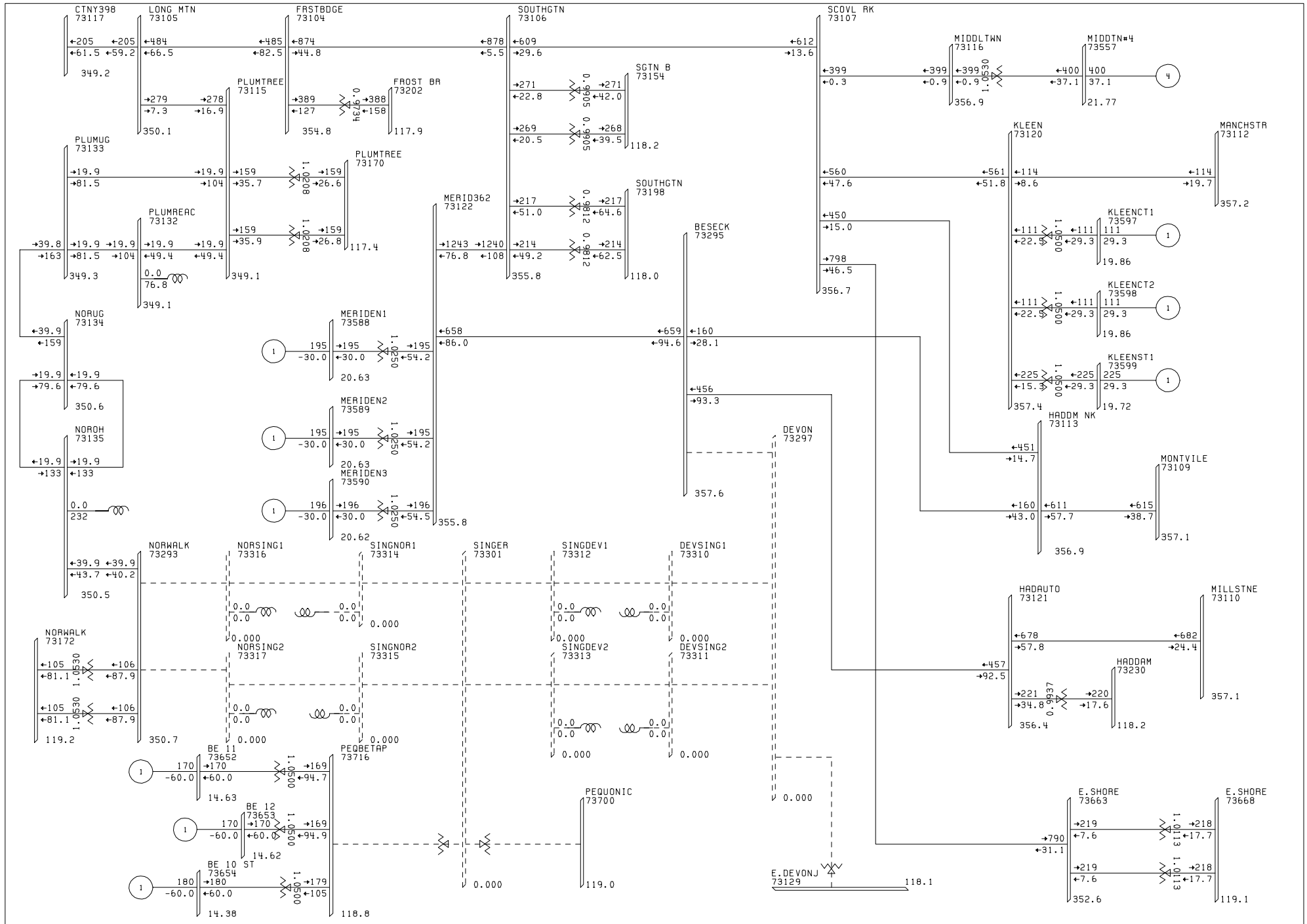
PHASE2-ALT2-091503-4KL, 27673 LD+LOSSES, KLEEN ON, NHH OFF  
 PHASE1-XP, PHASE2-ALT2, HPFF DEV-SING-NOR, PHASE 2 MODS  
 FRI, OCT 01 2004 17:25


100%\_RATEA  
 KV: ≤115 , ≤138 , ≤345

BUS - VOLTAGE (KV)  
 BRANCH - MW/MVAR  
 EQUIPMENT - MW/MVAR



SHAW POWER TECHNOLOGIES INC.

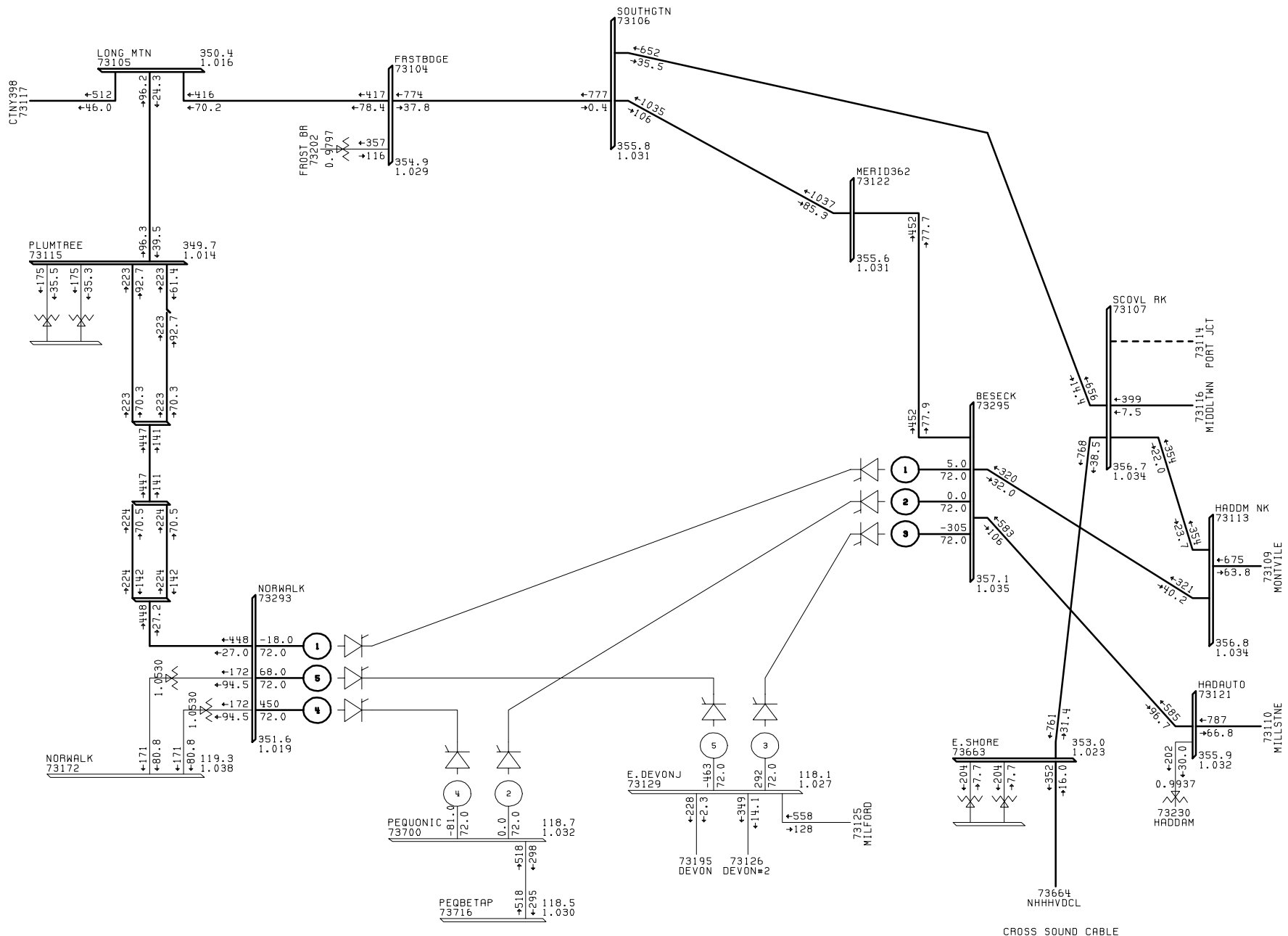



 PHASE2-ALT2-091503-4KL, 27673 LD+LOSSES, KLEEN ON, NHH OFF  
 PHASE1-XP, PHASE2-ALT2, HPFF DEV-SING-NOR, PHASE 2 MODS  
 FRI, OCT 01 2004 17:25

100%\_RATEA

BUS - VOLTAGE (KV)  
 BRANCH - MW/MVAR  
 EQUIPMENT - MW/MVAR





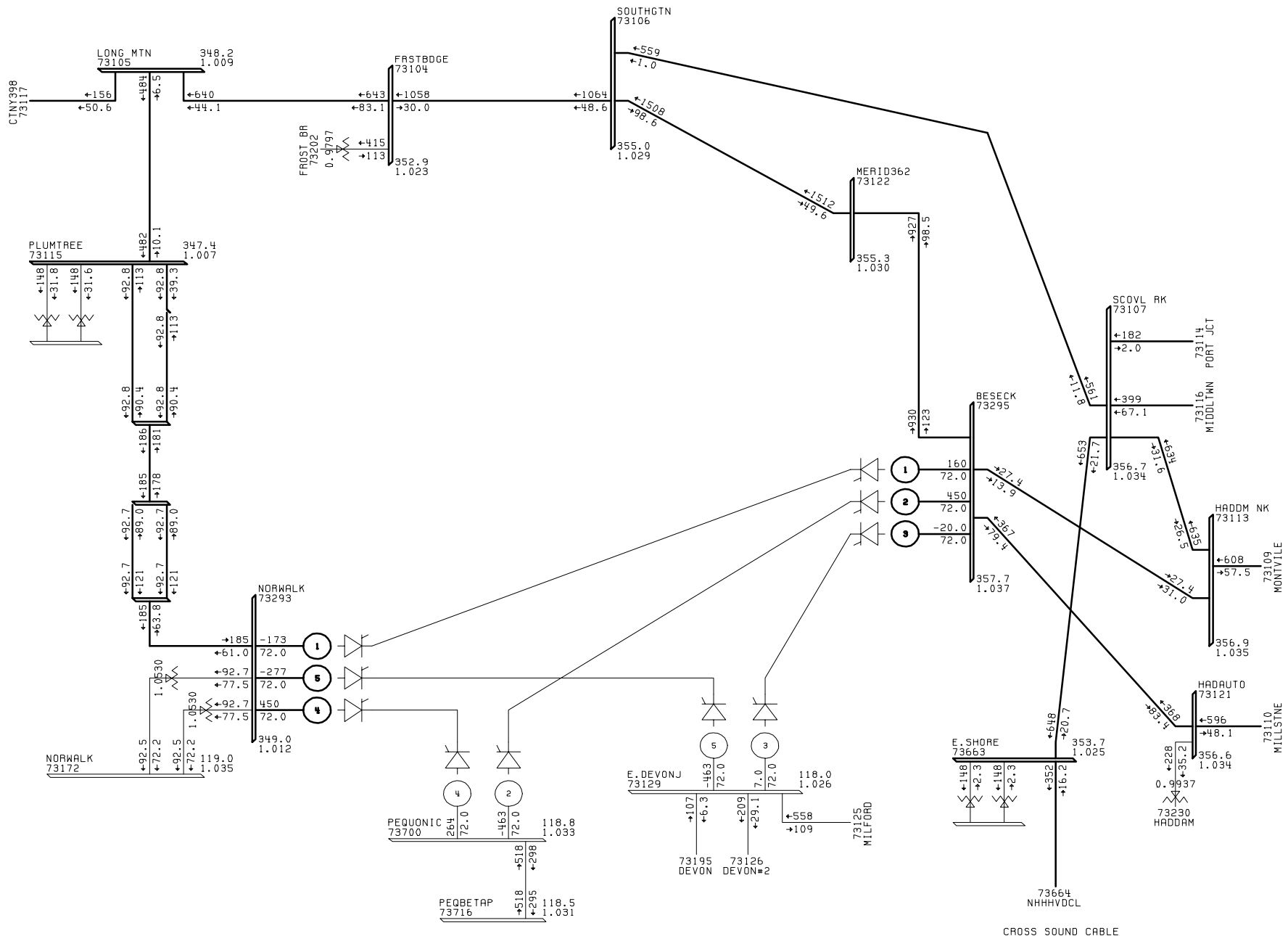
PHASE2-ALT2-NE-NY-091503-4KL, 27673 NE L+L, KLEEN ON,NHH OFF  
 PHASE1-XP, PHASE2-ALT2, HPFF DEV-SING-NOR, PHASE 2 MODS  
 FRI, OCT 01 2004 17:25

100% RAIEA  
 KV: ≤115 , ≤138 , ≤345

BUS - VOLTAGE (KV/PU)  
 BRANCH - MW/MVAR  
 EQUIPMENT - MW/MVAR



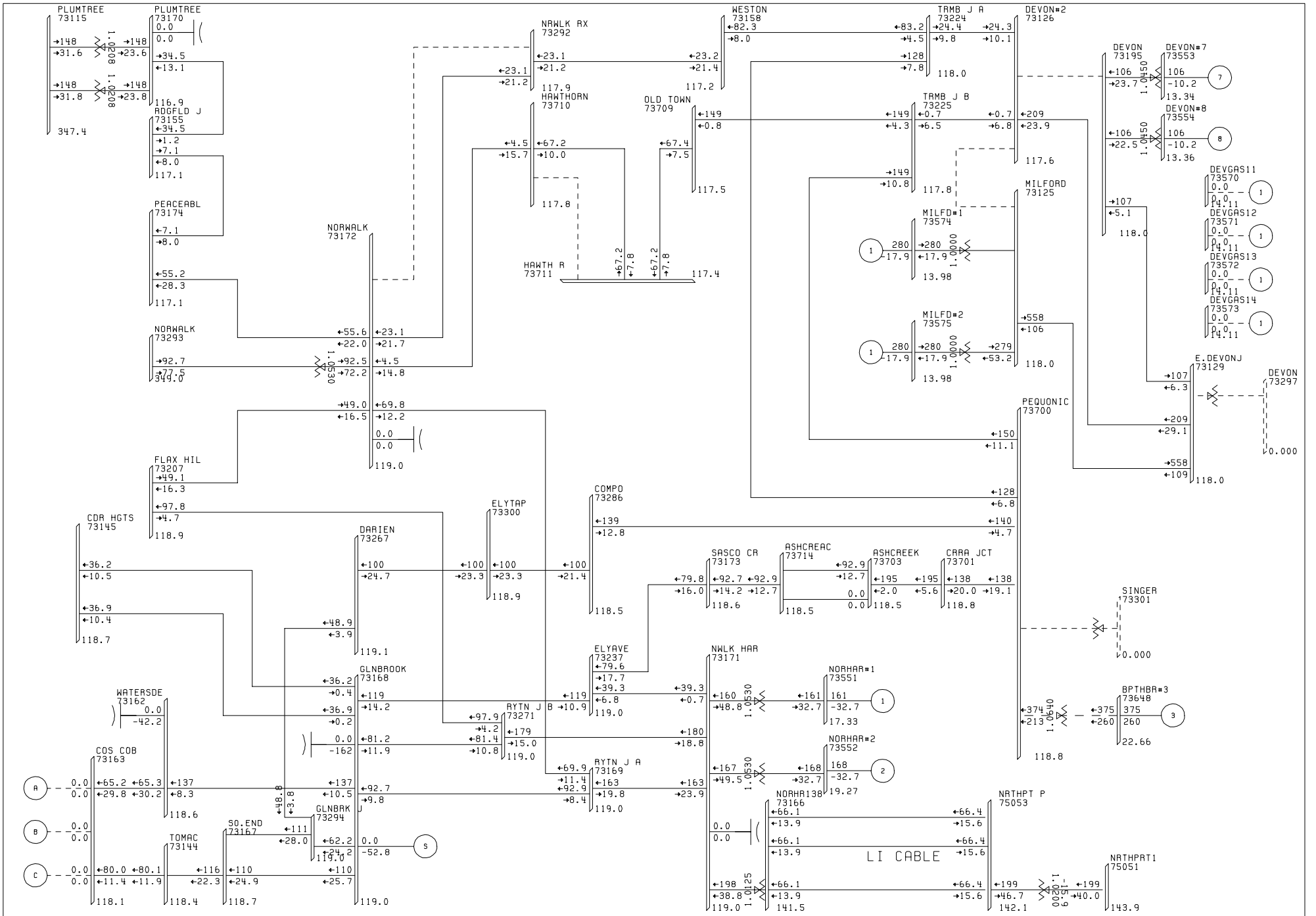




PH2-ALT2-NY-NE-091503-4, 27673 LD+LOSSES, NY TO NE = 700 MW  
 PHASE1-XP, PHASE2-ALT2, HPFF DEV-SING-NOR, PHASE 2 MODS  
 FRI, OCT 01 2004 17:25

100% RAIEA  
 KV: ≤115 , ≤138 , ≤345

BUS - VOLTAGE (KV/PU)  
 BRANCH - MW/MVAR  
 EQUIPMENT - MW/MVAR



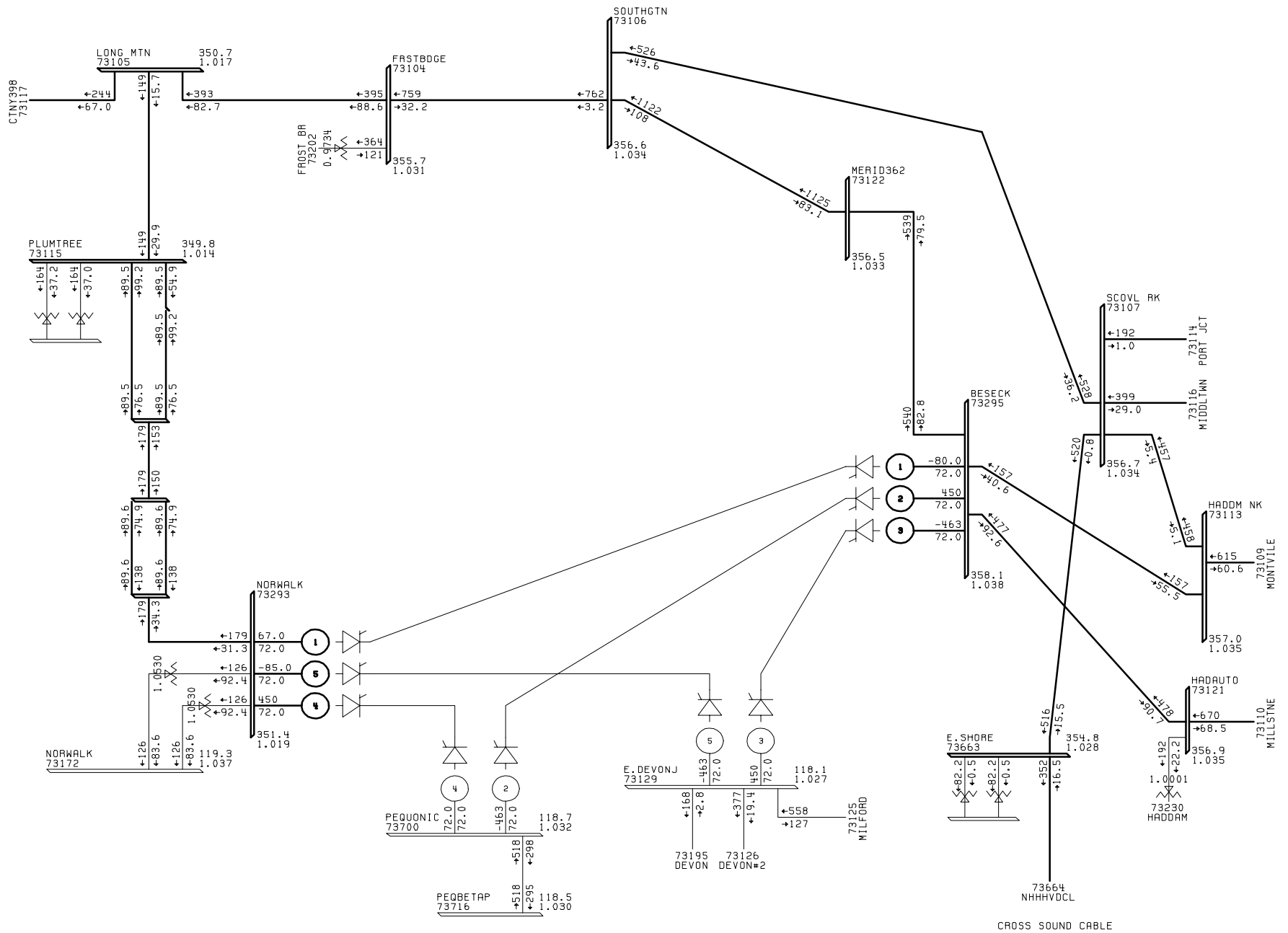
PH2-ALT2-NY-NE-091503-4, 27673 LD+LOSSES, NY TO NE = 700 MW  
 PHASE1-XP, PHASE2-ALT2, HPFF DEV-SING-NOR, PHASE 2 MODS  
 FRI, OCT 01 2004 17:25

100%\_RATEA  
 KV: ≤115 , ≤138 , ≤345

BUS - VOLTAGE (KV)  
 BRANCH - MW/MVAR  
 EQUIPMENT - MW/MVAR



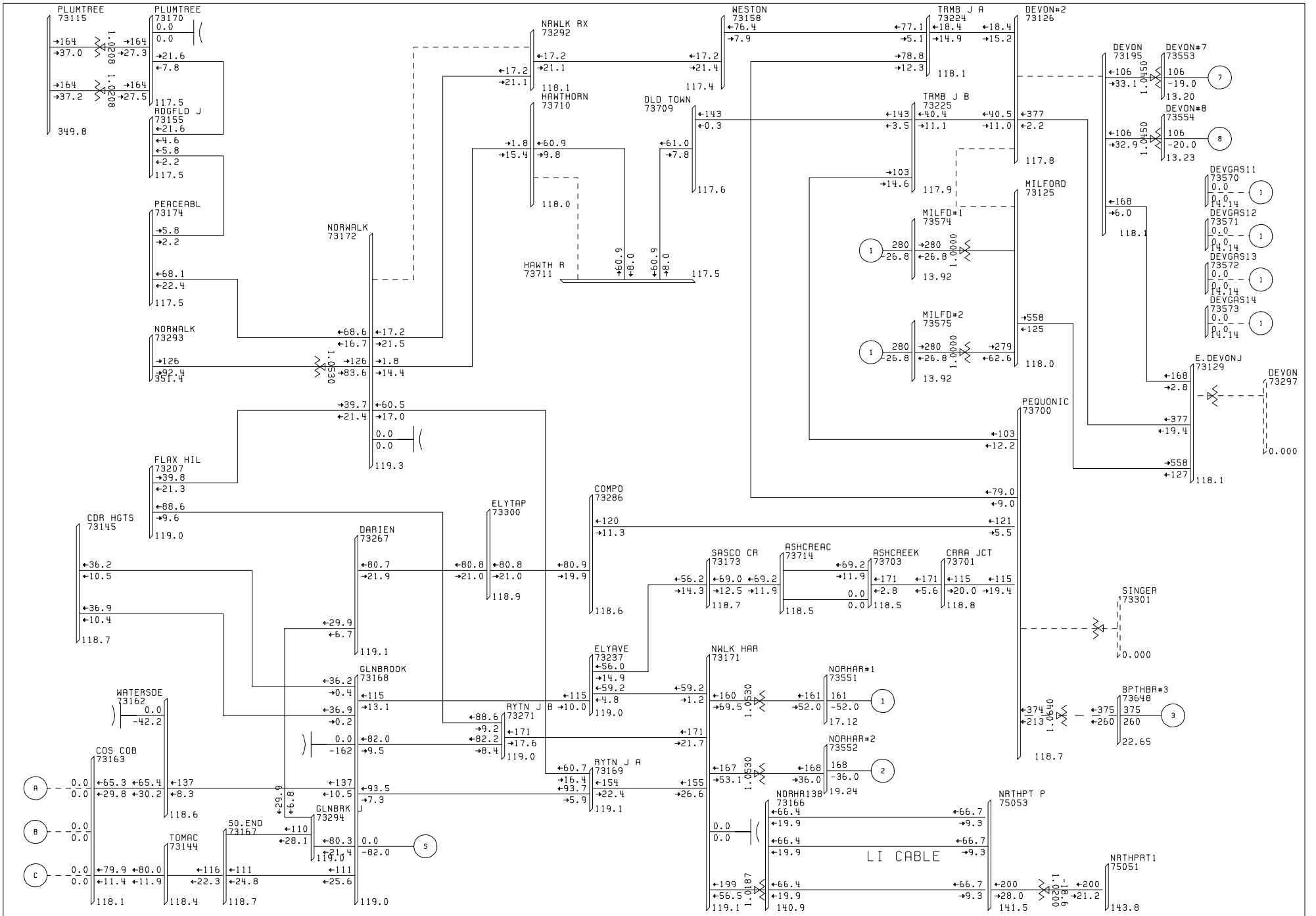




PHASE2-ALT2-091503-4, 2000 NE LIBRARY NE, 27673 LD+LOSSES  
 PHASE1-XP, PHASE2-ALT2, HPFF DEV-SING-NOR, PHASE 2 MODS  
 FRI, OCT 01 2004 17:25

100% RAIEA  
 KV: ≤115 , ≤138 , ≤345

BUS - VOLTAGE (KV/PU)  
 BRANCH - MW/MVAR  
 EQUIPMENT - MW/MVAR



PHASE2-ALT2-091503-4, 2000 NE LIBRARY NE, 27673 LD+LOSSES  
 PHASE1-XP, PHASE2-ALT2, HPFF DEV-SING-NOR, PHASE 2 MODS  
 FRI, OCT 01 2004 17:25

100%\_RATEA  
 KV: ≤115 , ≤138 , ≤345

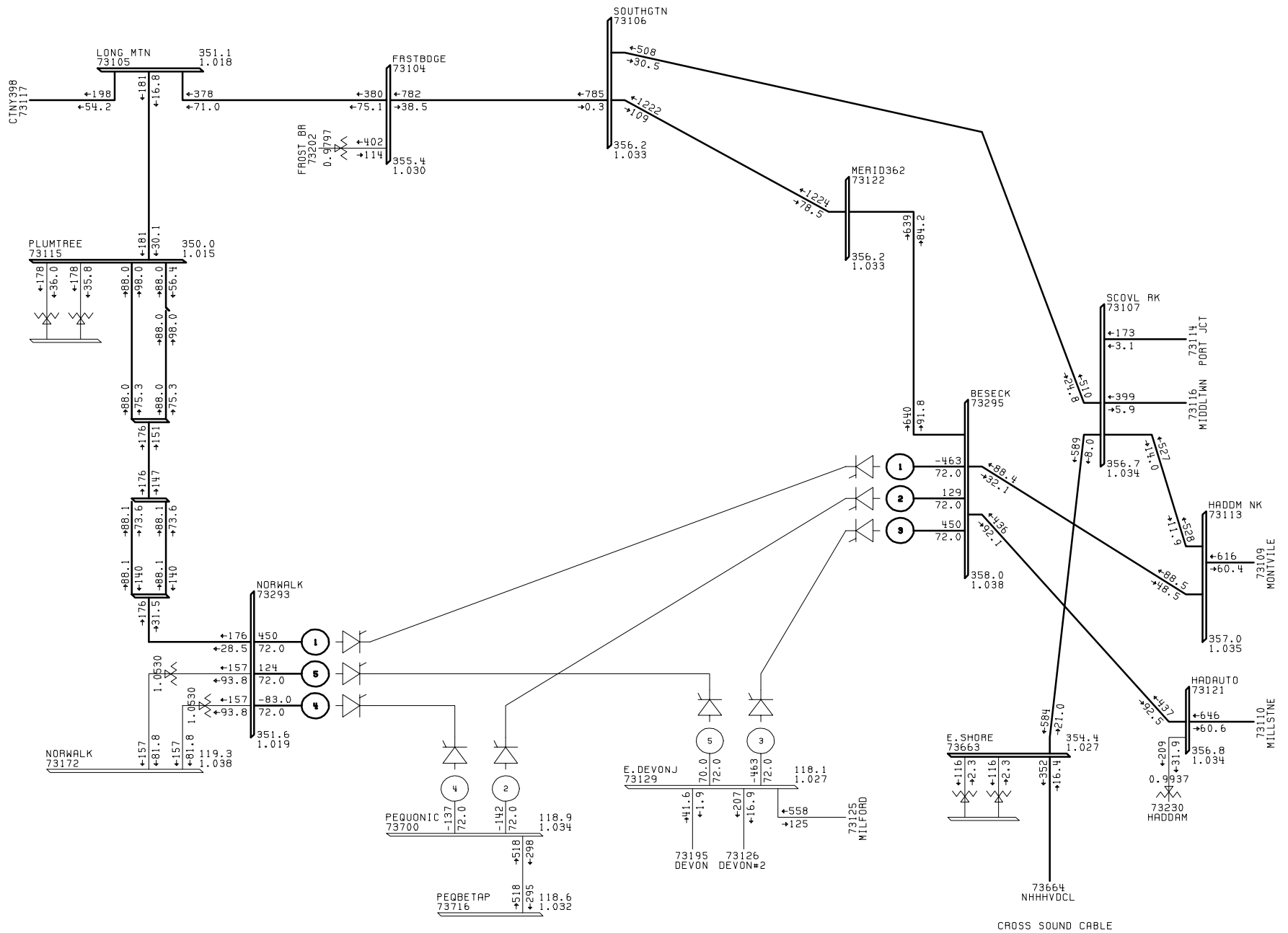
BUS - VOLTAGE (KV)  
 BRANCH - MW/MVAR  
 EQUIPMENT - MW/MVAR



SHAW POWER TECHNOLOGIES INC.



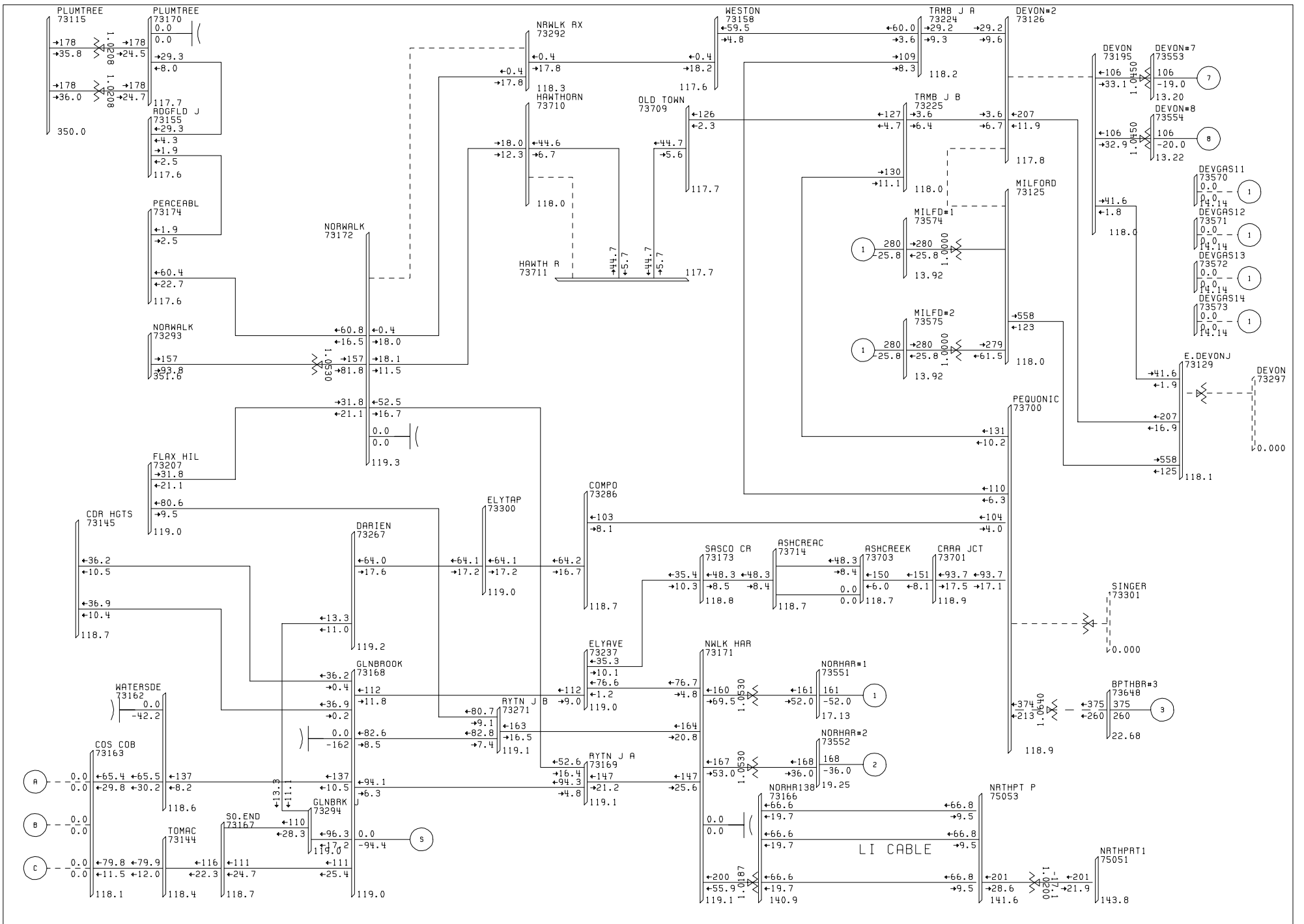




PH2-ALT2-NE-NY-091503-4, 27673 LD+LOSSES, NE TO NY = 700 MW  
 PHASE1-XP, PHASE2-ALT2, HPFF DEV-SING-NOR, PHASE 2 MODS  
 FRI, OCT 01 2004 17:25

100% RAIEA  
 KV: ≤115 , ≤138 , ≤345

BUS - VOLTAGE (KV/PU)  
 BRANCH - MW/MVAR  
 EQUIPMENT - MW/MVAR



PH2-ALT2-NE-NY-091503-4, 27673 LD+LOSSES, NE TO NY = 700 MW  
 PHASE1-XP, PHASE2-ALT2, HPFF DEV-SING-NOR, PHASE 2 MODS  
 FRI, OCT 01 2004 17:25

100%\_RATEA  
 KV: ≤115 , ≤138 , ≤345

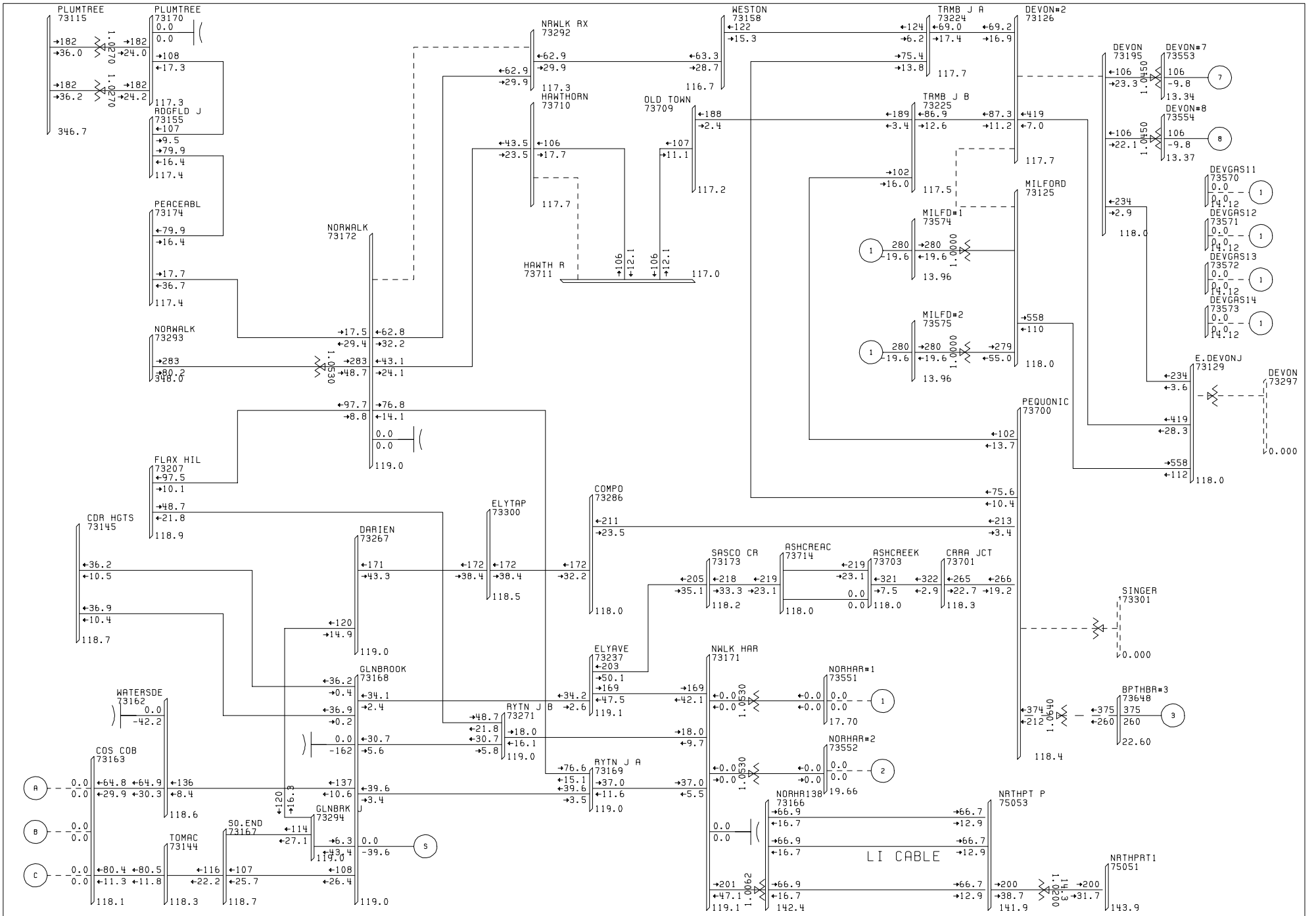
BUS - VOLTAGE (KV)  
 BRANCH - MW/MVAR  
 EQUIPMENT - MW/MVAR



SHAW POWER TECHNOLOGIES INC.





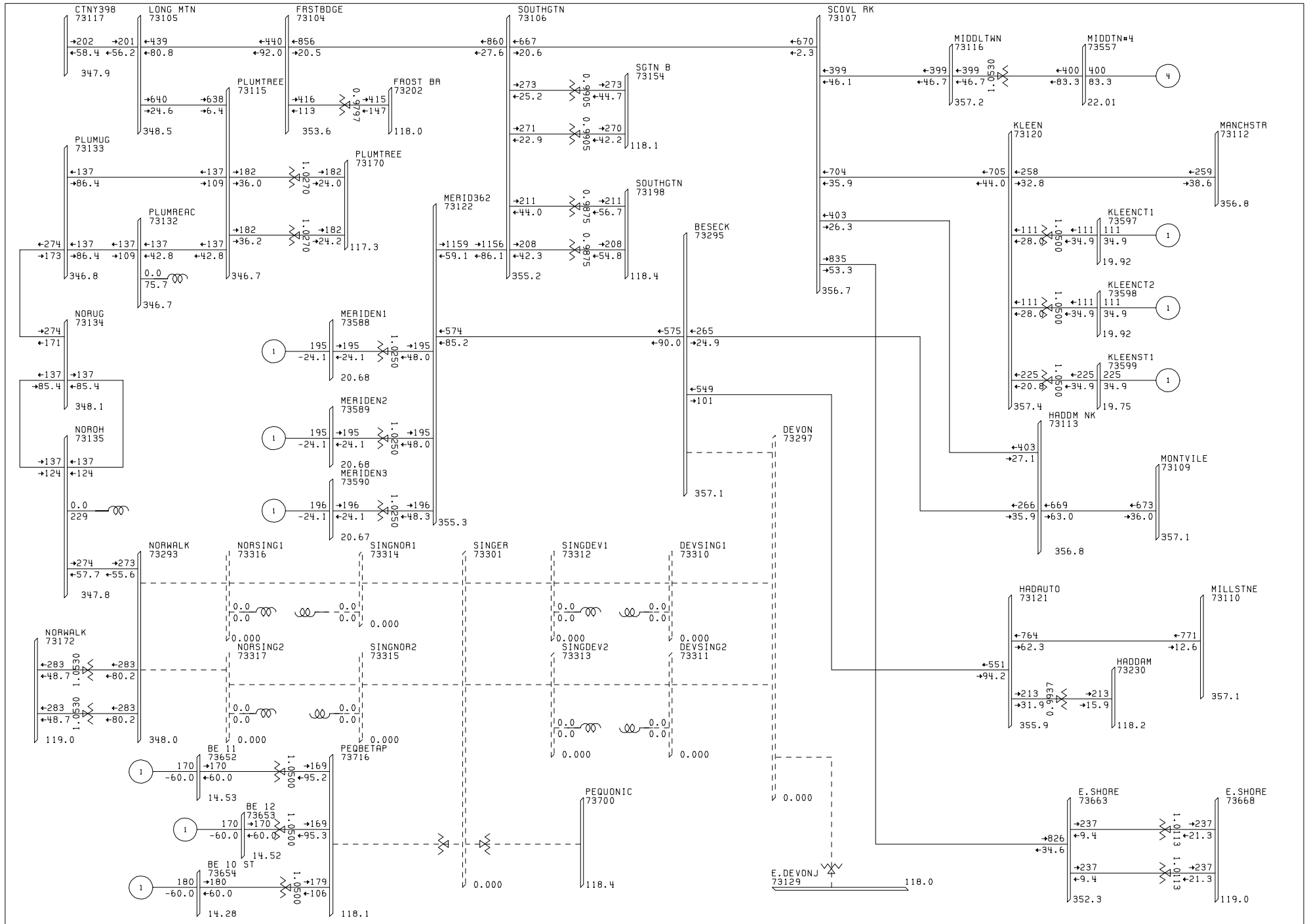



PHASE2-ALT2-NY-NE-091503-3KL, 27673 NE L+L, KLEEN ON,NHH OFF  
 PHASE1-XP, PHASE2-ALT2, HPFF DEV-SING-NOR, PHASE 2 MODS  
 FRI, OCT 01 2004 17:25

100%\_RATEA  
 KV: ≤115 , ≤138 , ≤345

BUS - VOLTAGE (KV)  
 BRANCH - MW/MVAR  
 EQUIPMENT - MW/MVAR





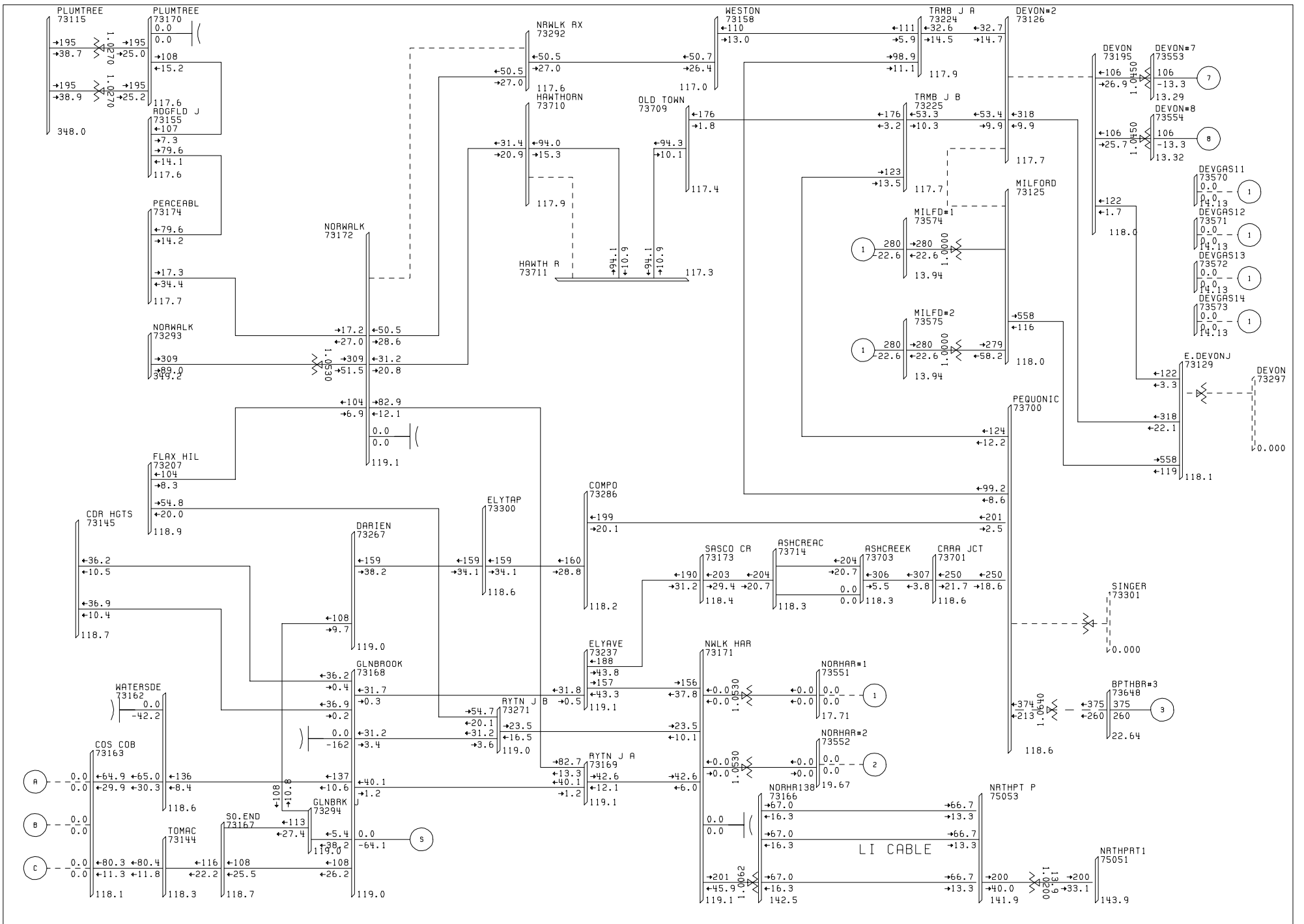

 PHASE2-ALT2-NY-NE-091503-3KL, 27673 NE L+L, KLEEN ON,NHH OFF  
 PHASE1-XP, PHASE2-ALT2, HPFF DEV-SING-NOR, PHASE 2 MODS  
 FRI, OCT 01 2004 17:25

100%\_RATEA

BUS - VOLTAGE (KV)  
 BRANCH - MW/MVAR  
 EQUIPMENT - MW/MVAR







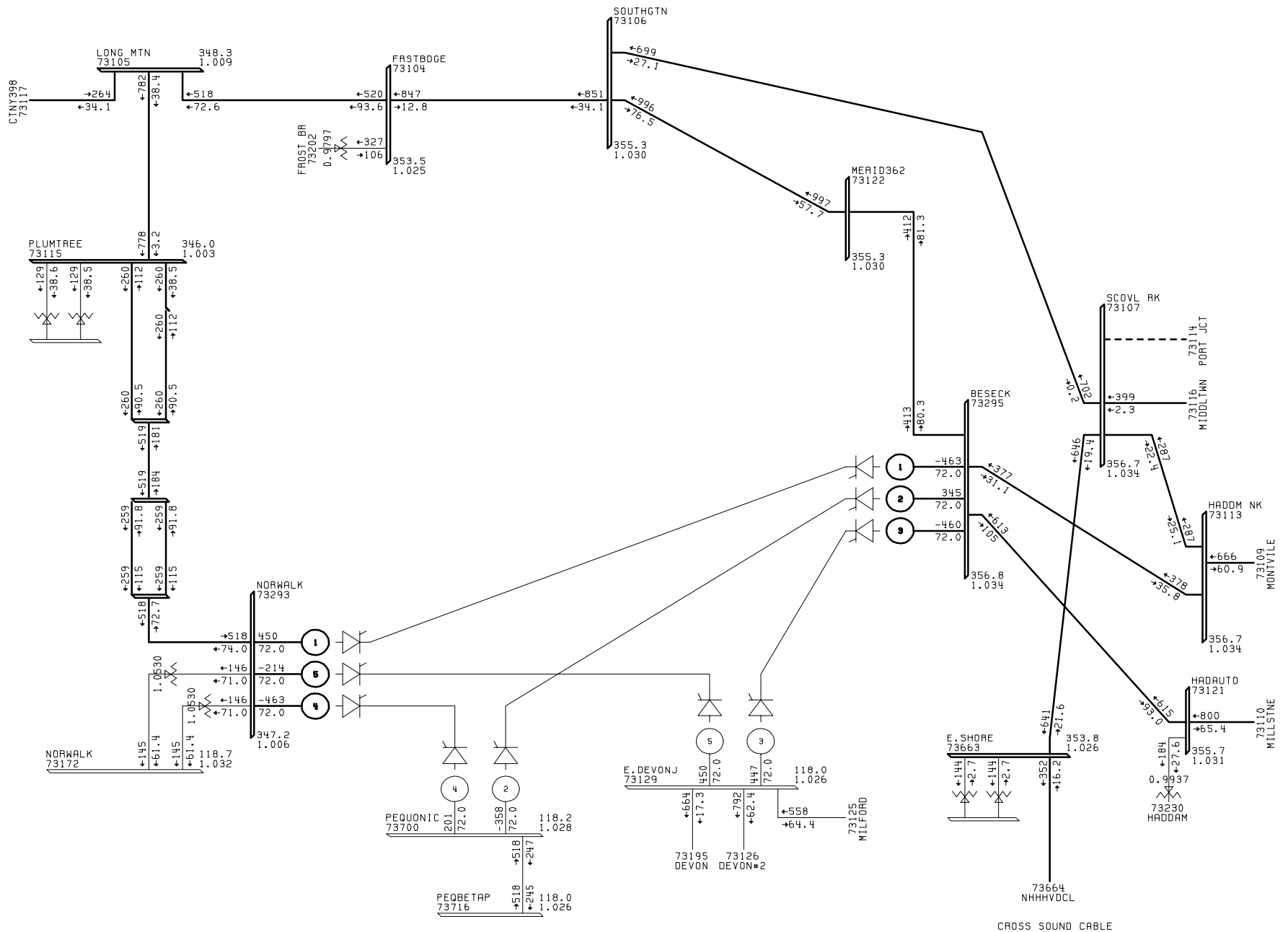
PHASE2-ALT2-091503-3KL, 27673 LD+LOSSES, KLEEN ON, NHH OFF  
 PHASE1-XP, PHASE2-ALT2, HPFF DEV-SING-NOR, PHASE 2 MODS  
 FRI, OCT 01 2004 17:25

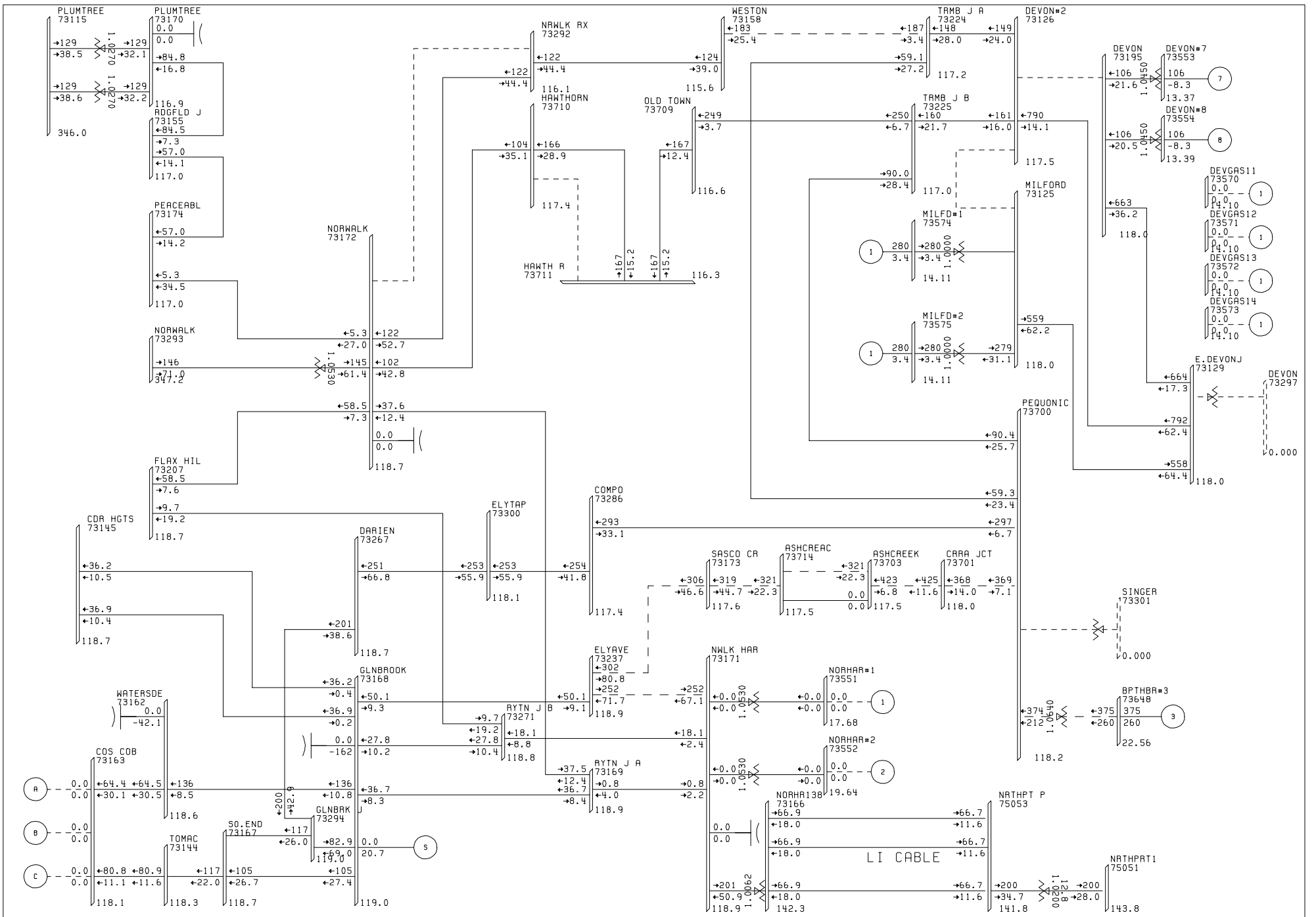
100%\_RATEA  
 KV: ≤115 , ≤138 , ≤345

BUS - VOLTAGE (KV)  
 BRANCH - MW/MVAR  
 EQUIPMENT - MW/MVAR









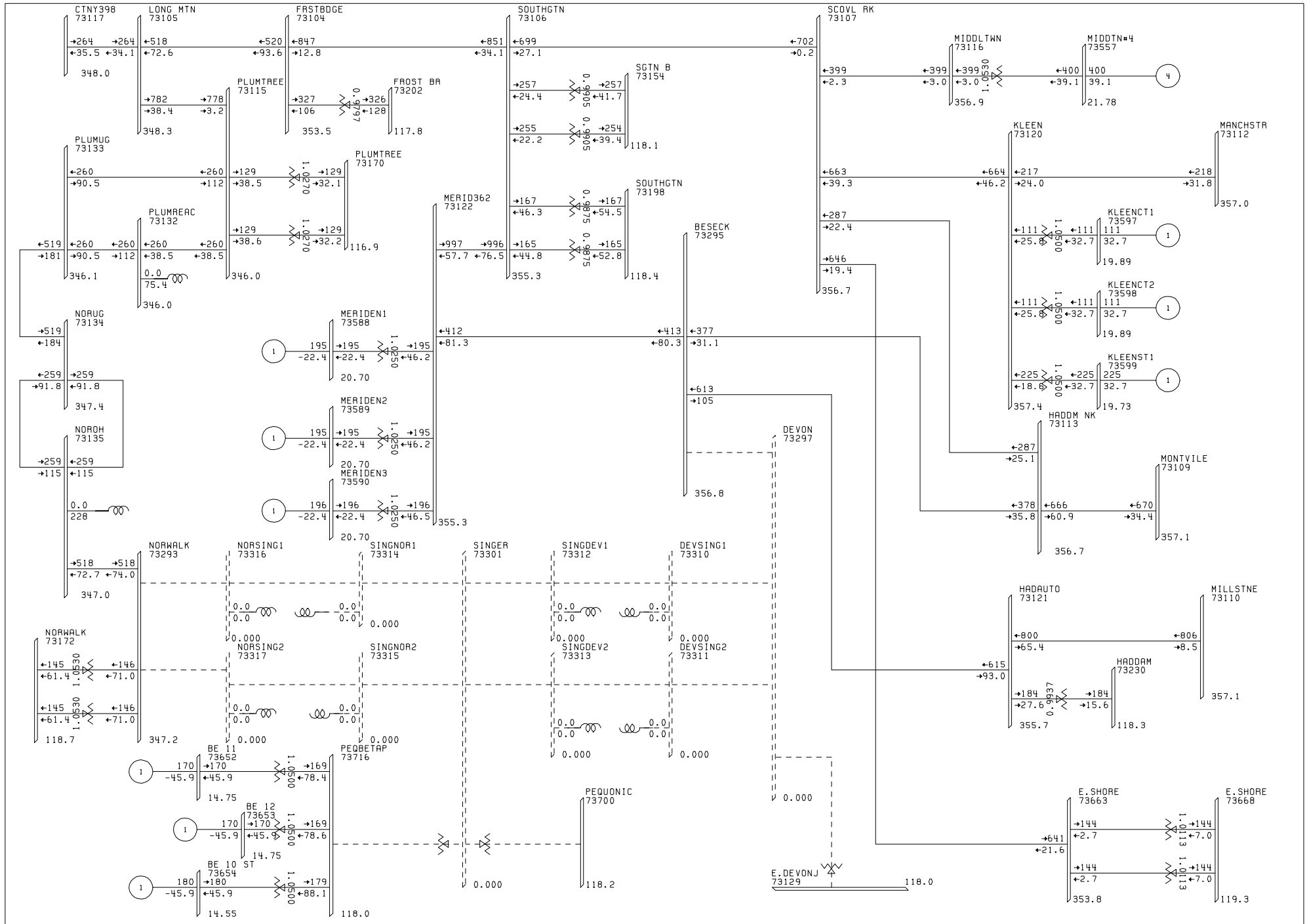
PHASE2-ALT2-NE-NY-091503-3KL, 27673 NE L+L, KLEEN ON, NHH OFF  
 PHASE1-XP, PHASE2-ALT2, HPFF DEV-SING-NOR, PHASE 2 MODS  
 FRI, OCT 01 2004 17:25


100%\_RATEA  
 KV: ≤115 , ≤138 , ≤345

BUS - VOLTAGE (KV)  
 BRANCH - MW/MVAR  
 EQUIPMENT - MW/MVAR



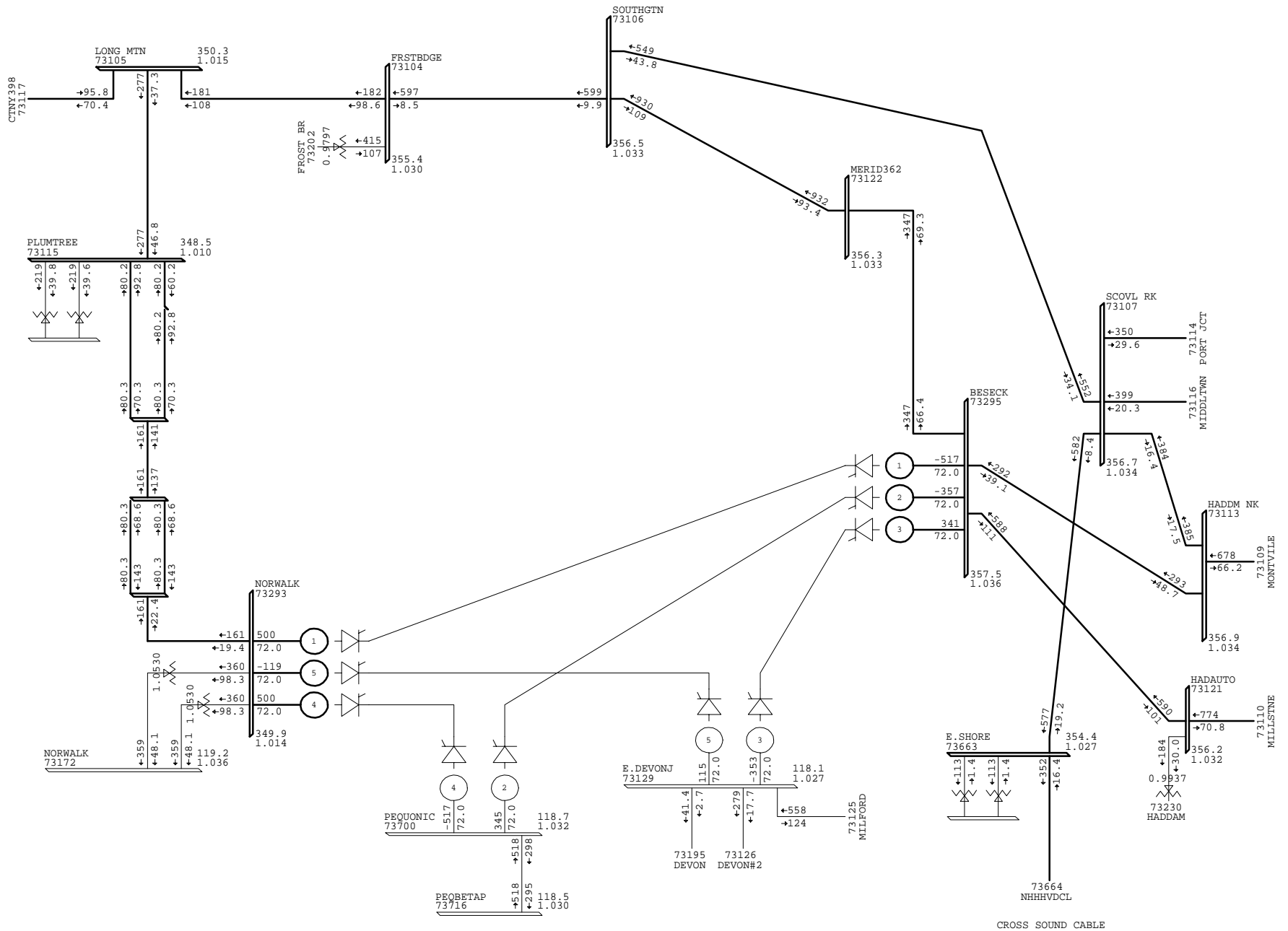
SHAW POWER TECHNOLOGIES INC.




 PHASE2-ALT2-NE-NY-091503-3KL, 27673 NE L+L, KLEEN ON,NHH OFF  
 PHASE1-XP, PHASE2-ALT2, HPFF DEV-SING-NOR, PHASE 2 MODS  
 FRI, OCT 01 2004 17:25

100%\_RATEA

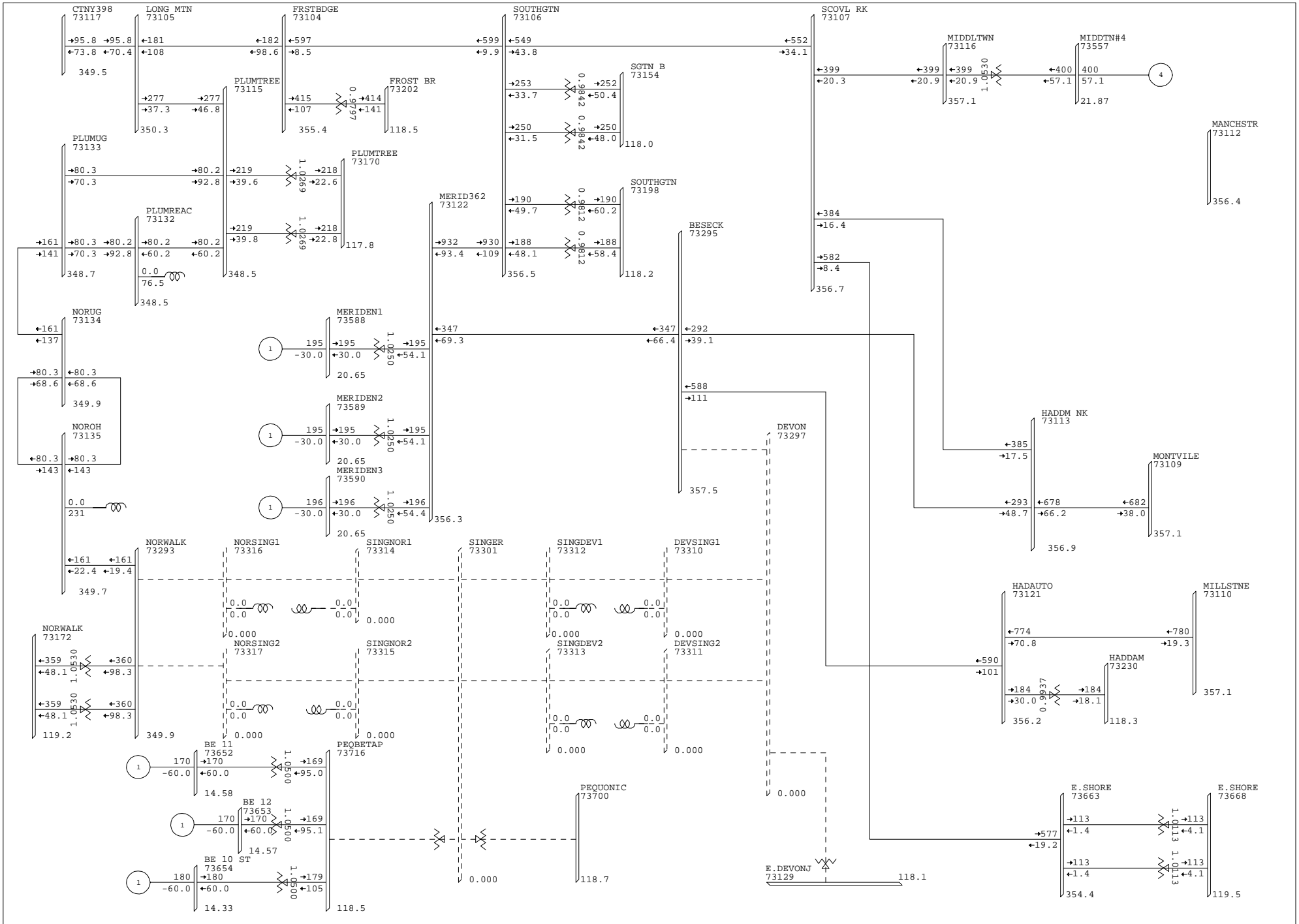
BUS - VOLTAGE (KV)  
 BRANCH - MW/MVAR  
 EQUIPMENT - MW/MVAR



PH2-ALT2-NY-NE-091503-3, 27673 LD+LOSSES, NY TO NE = 700 MW  
 PHASE1-XP, PHASE2-ALT2, HPFF DEV-SING-NOR, PHASE 2 MODS  
 MON, OCT 04 2004 15:31

100%\_RATEA  
 KV: <115, <138, <345

BUS - VOLTAGE (KV/PU)  
 BRANCH - MW/MVAR  
 EQUIPMENT - MW/MVAR



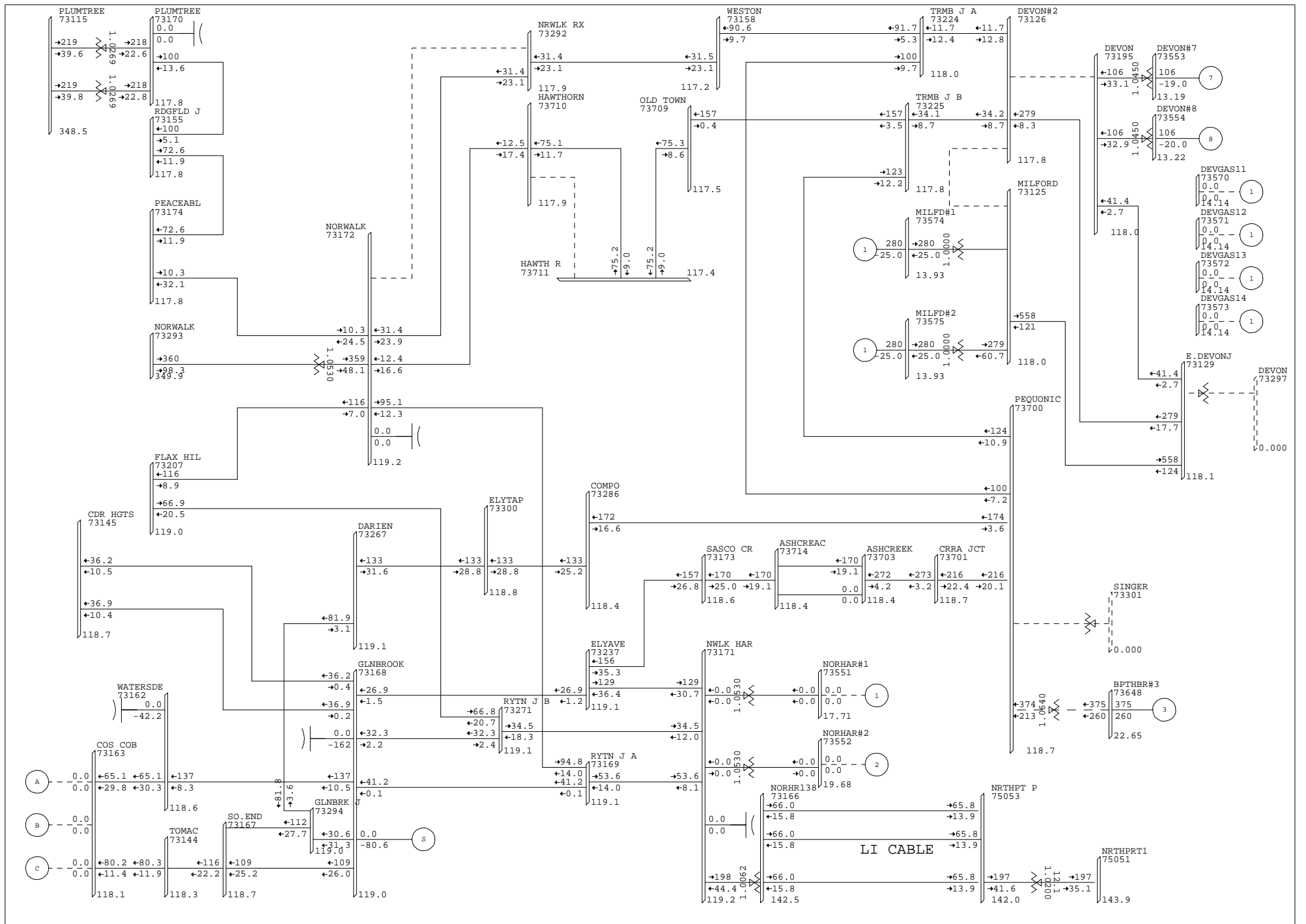
PH2-ALT2-NY-NE-091503-3, 27673 LD+LOSSES, NY TO NE = 700 MW  
 PHASE1-XP, PHASE2-ALT2, HPFF DEV-SING-NOR, PHASE 2 MODS  
 MON, OCT 04 2004 15:31

100%\_RATEA

BUS -VOLTAGE(KV)  
 BRANCH -MW/MVAR  
 EQUIPMENT -MW/MVAR



POWER TECHNOLOGIES INC. ©

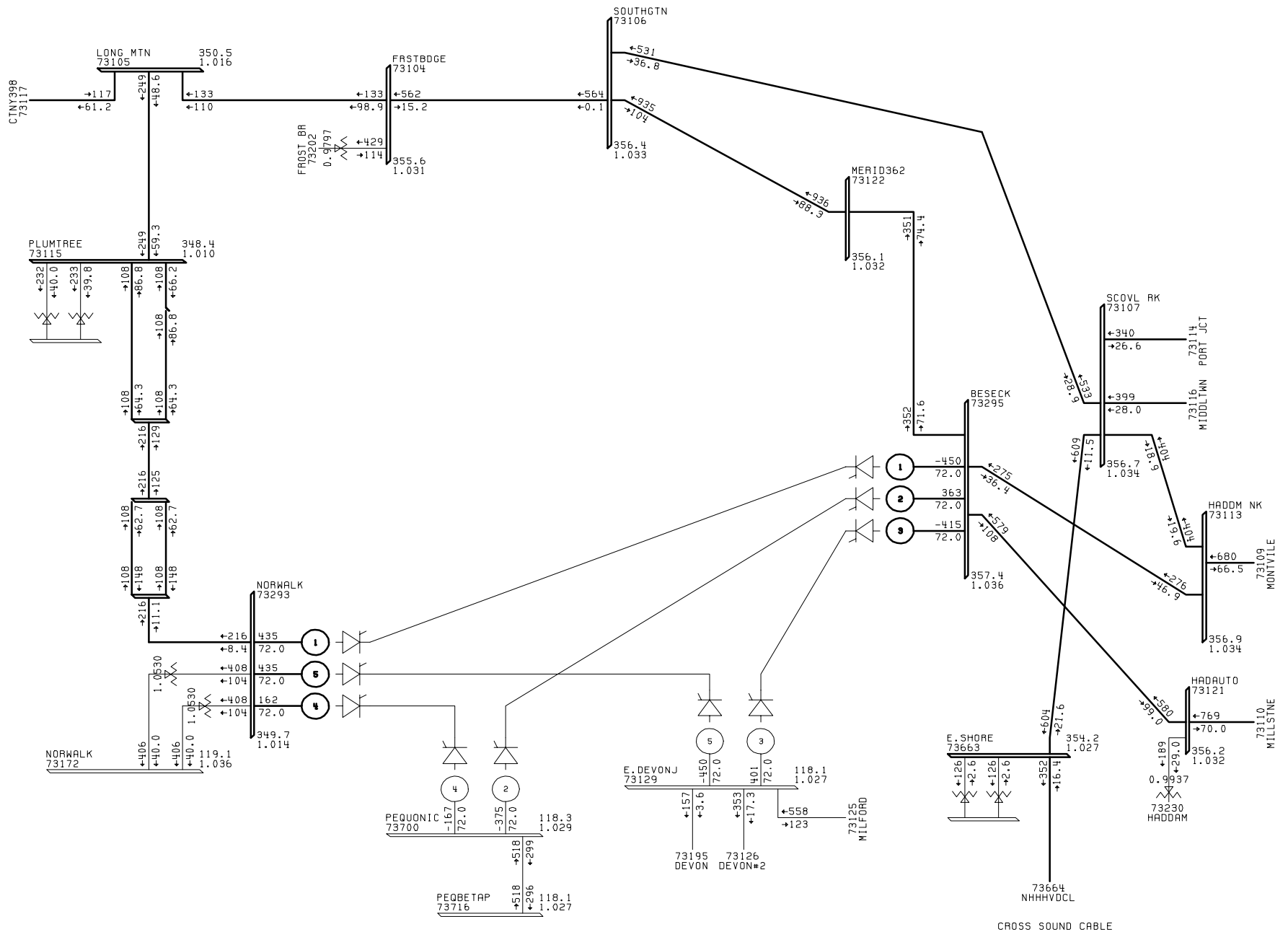


PH2-ALT2-NY-NE-091503-3, 27673 LD+LOSSES, NY TO NE = 700 MW  
 PHASE1-XP, PHASE2-ALT2, HPFF DEV-SING-NOR, PHASE 2 MODS  
 MON, OCT 04 2004 15:31

100%\_RATEA  
 KV: <=115 , <=138 , <=345

BUS -VOLTAGE (KV)  
 BRANCH -MW/MVAR  
 EQUIPMENT -MW/MVAR

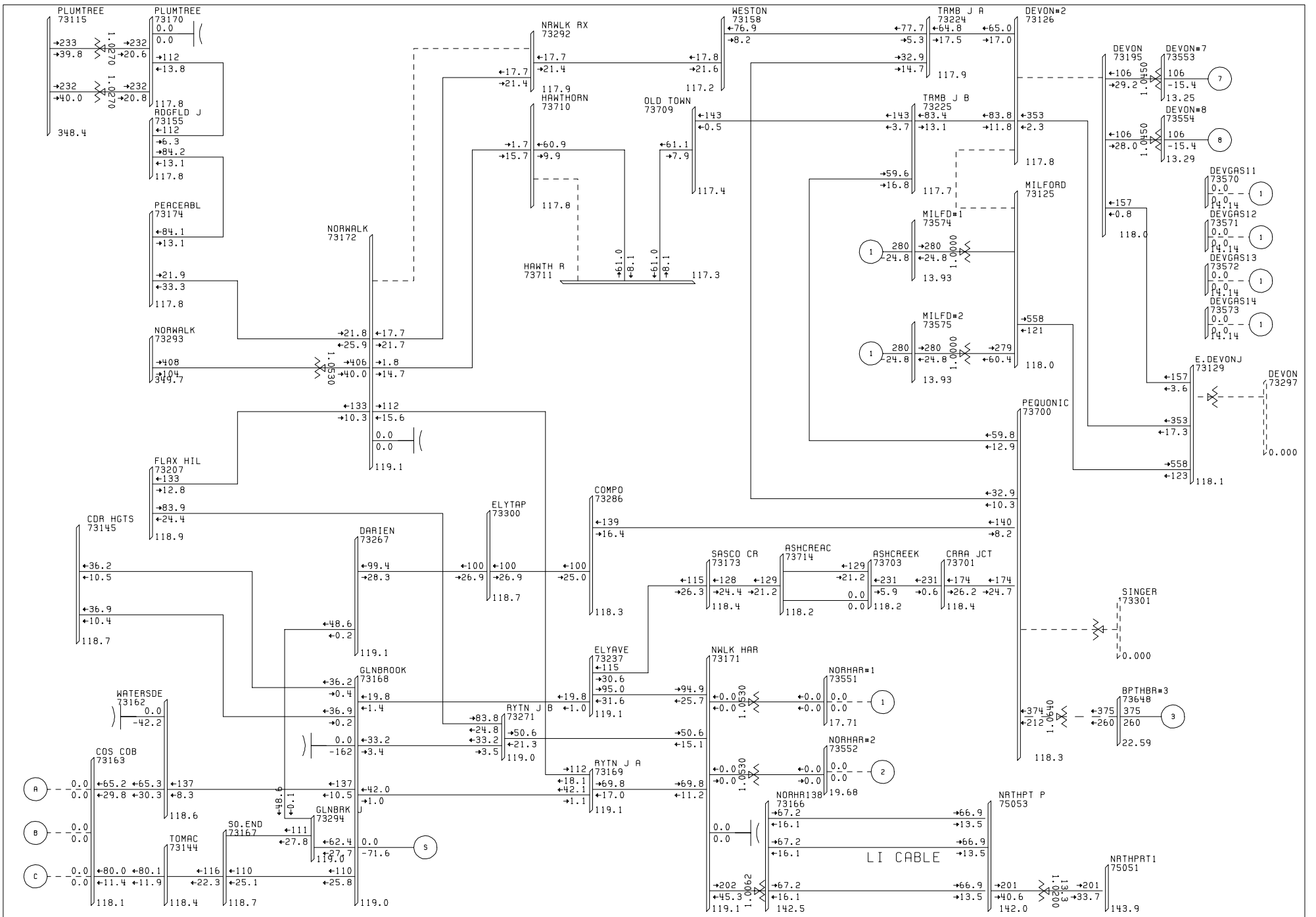




PHASE2-ALT2-091503-3, 2000 NE LIBRARY NE, 27673 LD+LOSSES  
 PHASE1-XP, PHASE2-ALT2, HPFF DEV-SING-NOR, PHASE 2 MODS  
 FRI, OCT 01 2004 17:25

100% RAIEA  
 KV: <math>\le 115, \le 138, \le 345</math>

BUS - VOLTAGE (KV/PU)  
 BRANCH - MW/MVAR  
 EQUIPMENT - MW/MVAR



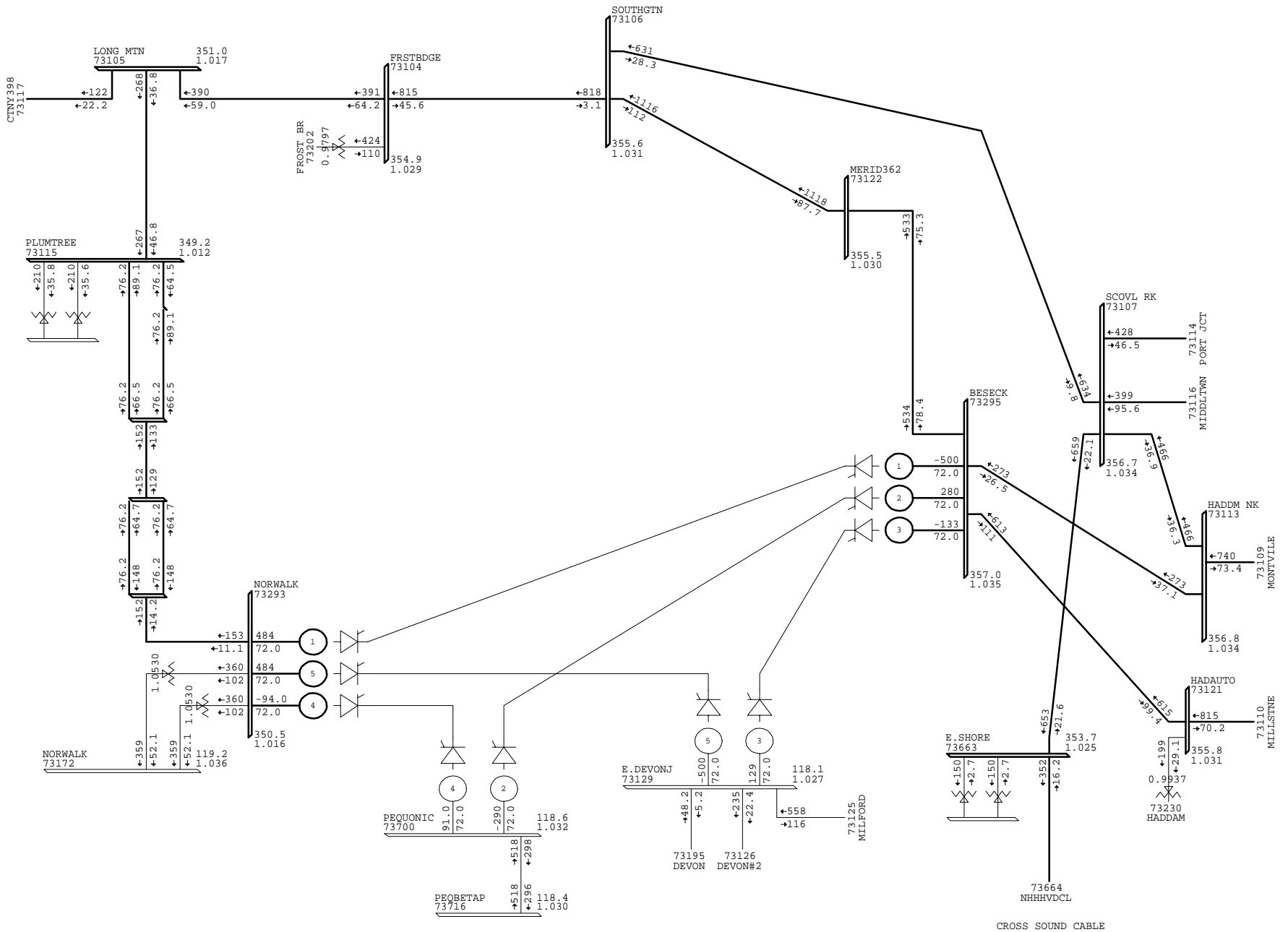
PHASE2-ALT2-091503-3, 2000 NE LIBRARY NE, 27673 LD+LOSSES  
 PHASE1-XP, PHASE2-ALT2, HPFF DEV-SING-NOR, PHASE 2 MODS  
 FRI, OCT 01 2004 17:25

100%\_RATEA  
 KV: ≤115 , ≤138 , ≤345

BUS - VOLTAGE (KV)  
 BRANCH - MW/MVAR  
 EQUIPMENT - MW/MVAR





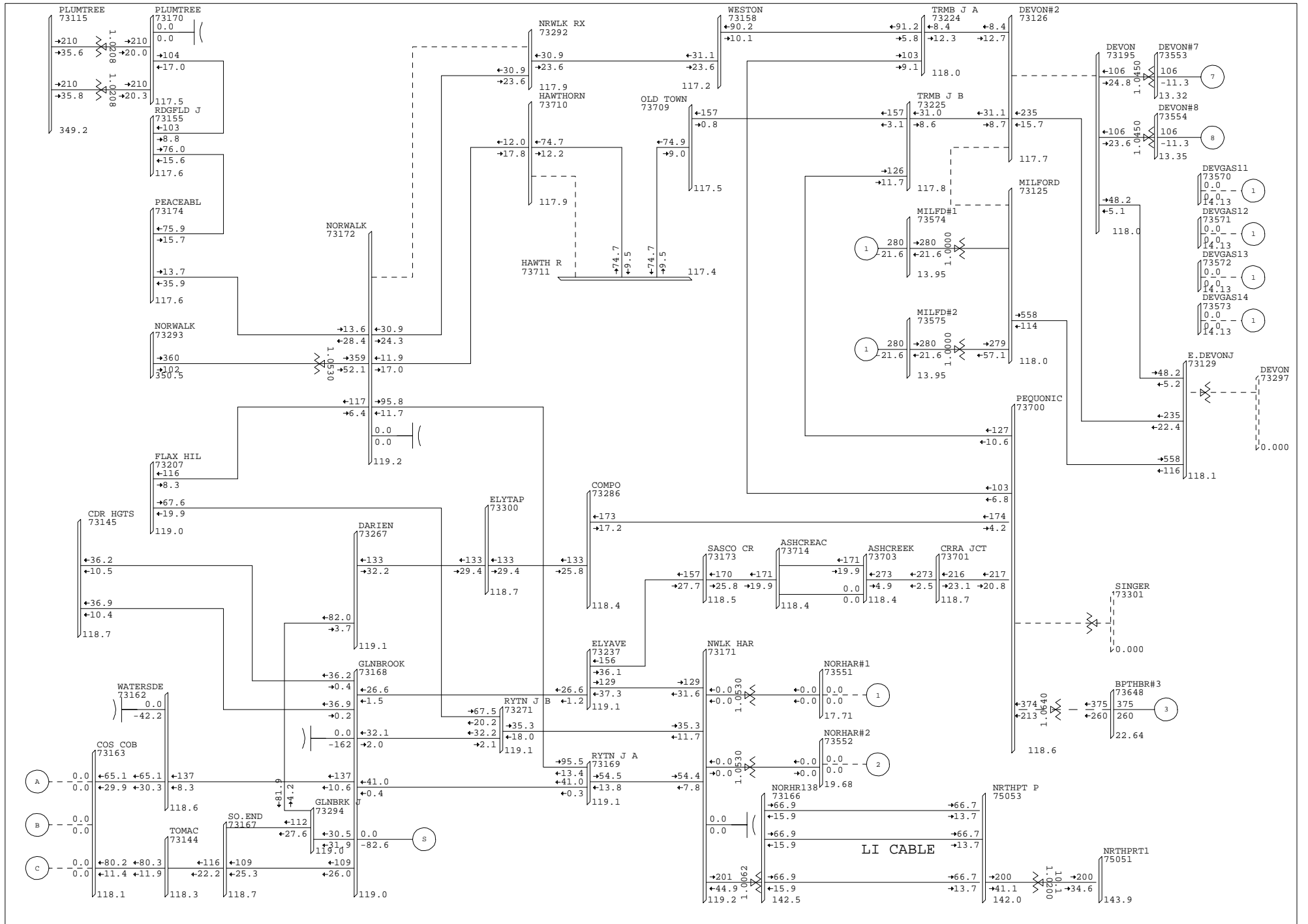


PH2-ALT2-NE-NY-091503-3, 27673 LD+LOSSES, NE TO NY = 700 MW  
 PHASE1-XP, PHASE2-ALT2, HPFF DEV-SING-NOR, PHASE 2 MODS  
 MON, OCT 04 2004 13:21

100 %\_RATEA  
 KV: <=115 , <=138 , <=345

BUS - VOLTAGE (KV/PU)  
 BRANCH - MW/MVAR  
 EQUIPMENT - MW/MVAR



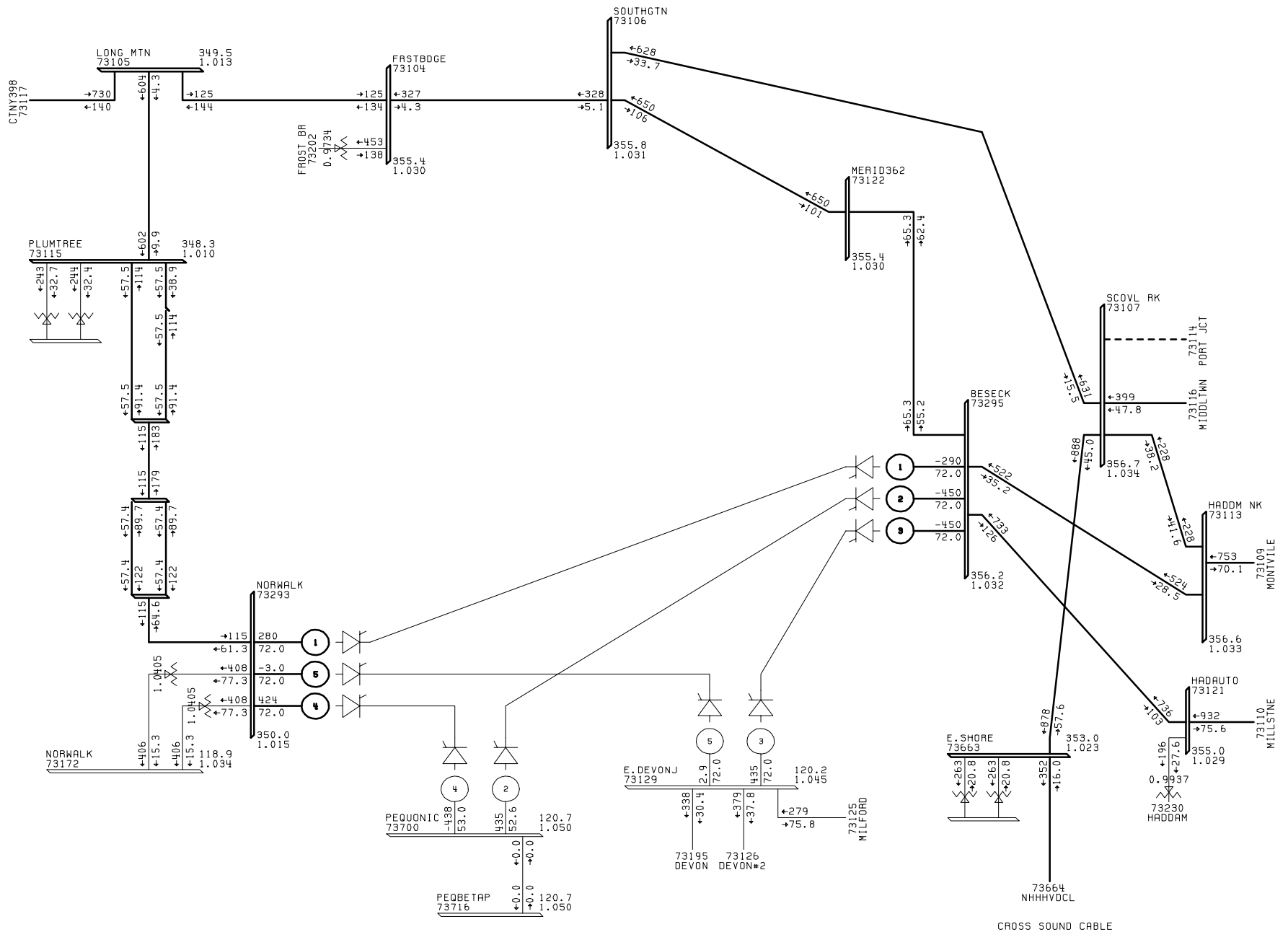


PH2-ALT2-NE-NY-091503-3, 27673 LD+LOSSES, NE TO NY = 700 MW  
 PHASE1-XP, PHASE2-ALT2, HPFF DEV-SING-NOR, PHASE 2 MODS  
 MON, OCT 04 2004 13:22

100%\_RATEA  
 KV: <=115 , <=138 , <=345

BUS -VOLTAGE (KV)  
 BRANCH -MW/MVAR  
 EQUIPMENT -MW/MVAR





PHASE2-ALT2-NY-NE-091503-2KL, 27673 NE L+L, KLEEN ON, NHH OFF  
 PHASE1-XP, PHASE2-ALT2, HPFF DEV-SING-NOR, PHASE 2 MODS  
 FRI, OCT 01 2004 17:25

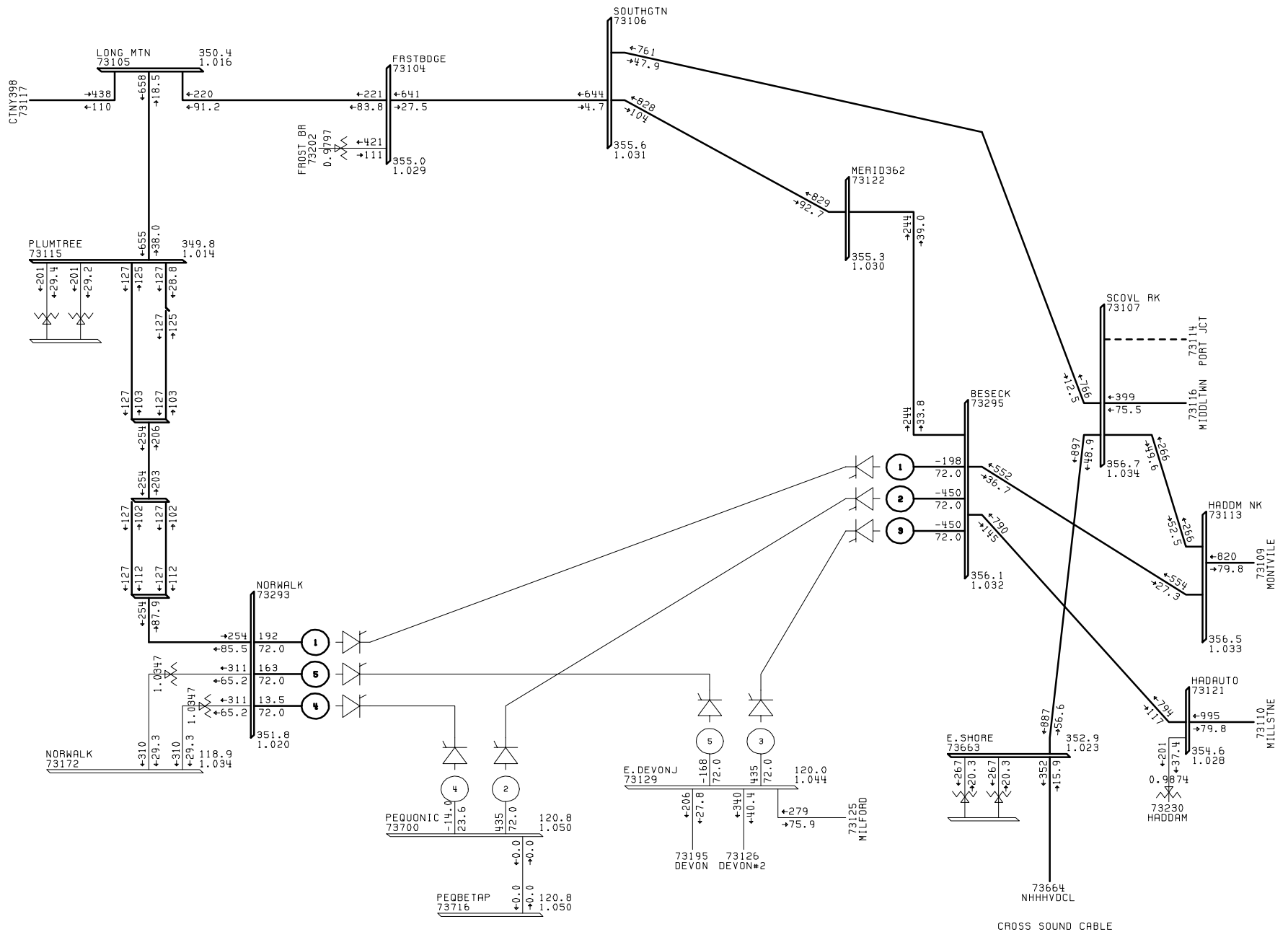
100% RAIEA  
 KV: ≤115, ≤138, ≤345

BUS - VOLTAGE (KV/PU)  
 BRANCH - MW/MVAR  
 EQUIPMENT - MW/MVAR









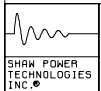
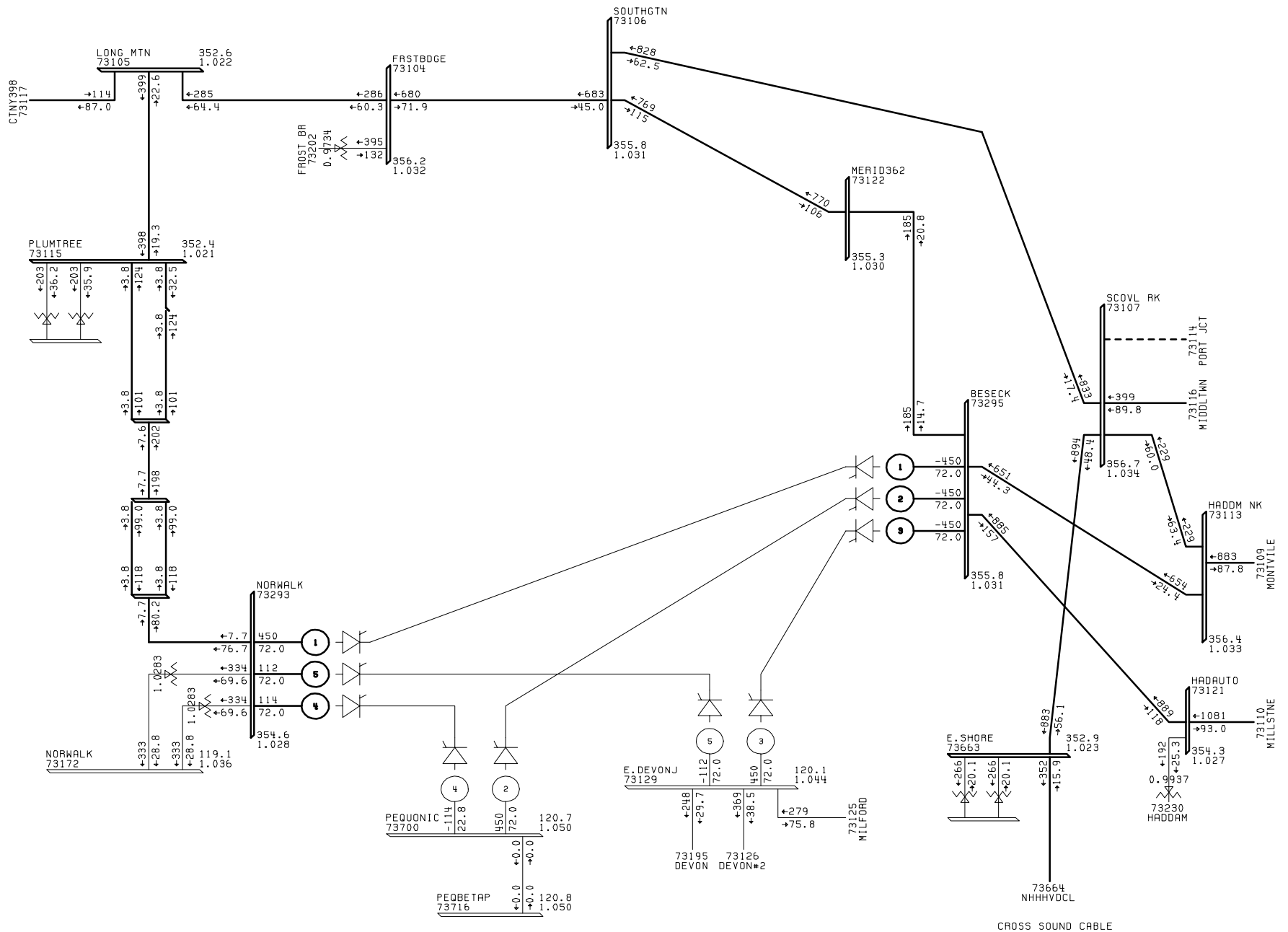
PHASE2-ALT2-091503-2KL, 27673 LD+LOSSES, KLEEN ON, NHH OFF  
 PHASE1-XP, PHASE2-ALT2, HPFF DEV-SING-NOR, PHASE 2 MODS  
 FRI, OCT 01 2004 17:26

100% RAIEA  
 KV: <115 , <138 , <345

BUS - VOLTAGE (KV/PU)  
 BRANCH - MW/MVAR  
 EQUIPMENT - MW/MVAR



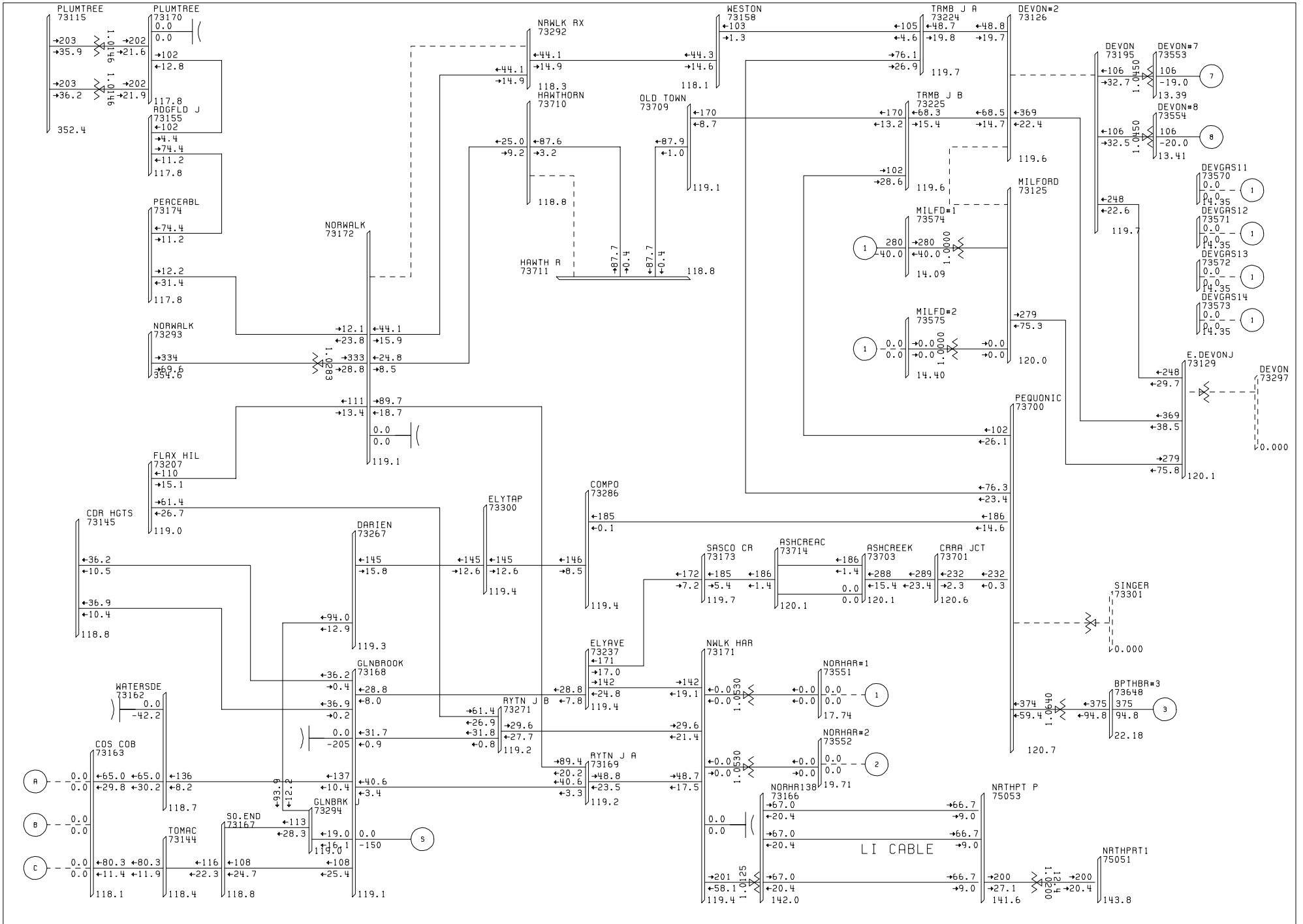




PHASE2-ALT2-NE-NY-091503-2KL, 27673 NE L+L, KLEEN ON, NHH OFF  
 PHASE1-XP, PHASE2-ALT2, HPFF DEV-SING-NOR, PHASE 2 MODS  
 FRI, OCT 01 2004 17:26

100% RAIEA  
 KV: <115, <138, <345

BUS - VOLTAGE (KV/PU)  
 BRANCH - MW/MVAR  
 EQUIPMENT - MW/MVAR



PHASE2-ALT2-NE-NY-091503-2KL, 27673 NE L+L, KLEEN ON,NHH OFF  
 PHASE1-XP, PHASE2-ALT2, HPFF DEV-SING-NOR, PHASE 2 MODS  
 FRI, OCT 01 2004 17:26

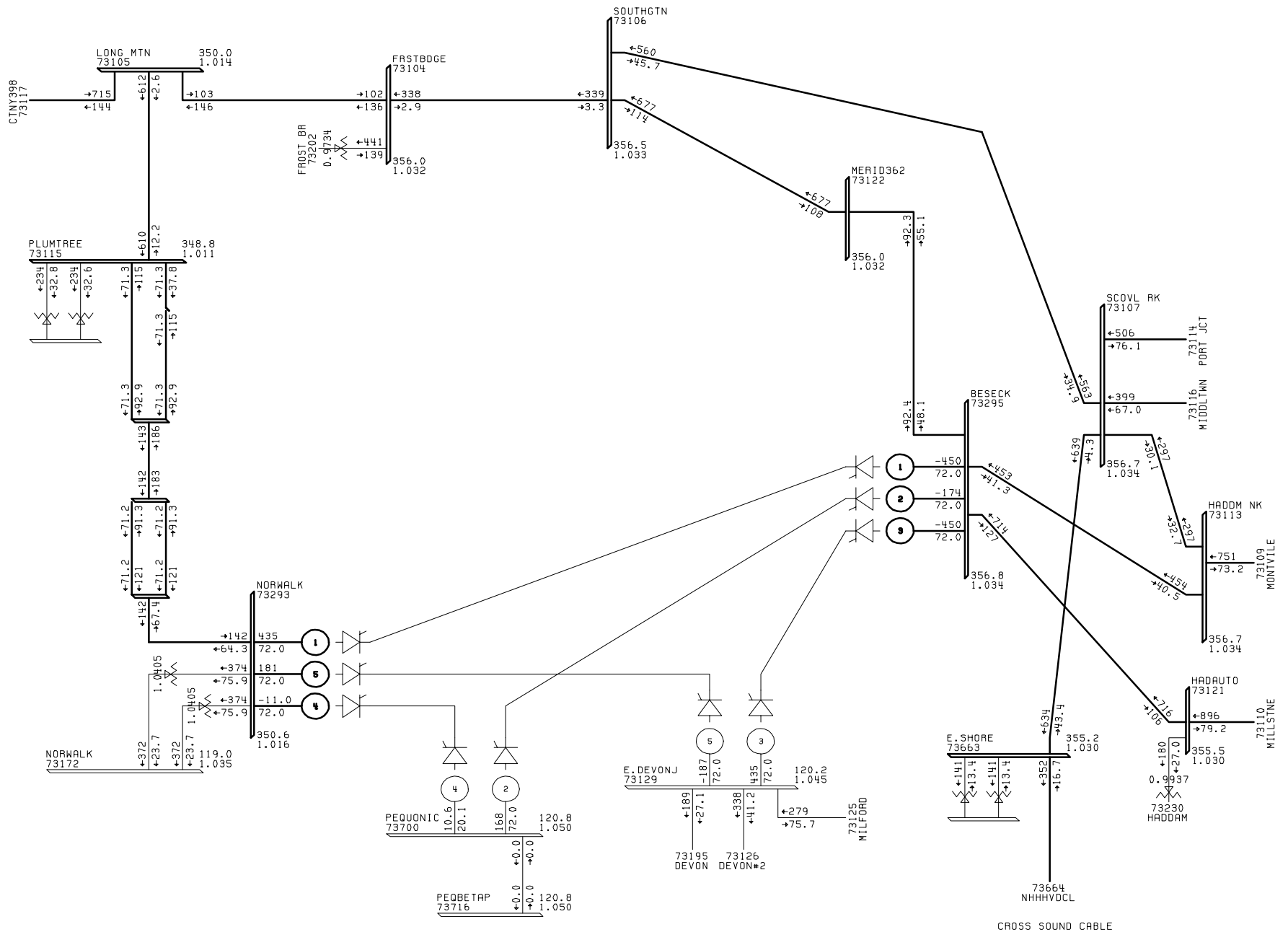
100%\_RATEA  
 KV: ≤115 , ≤138 , ≤345

BUS - VOLTAGE (KV)  
 BRANCH - MW/MVAR  
 EQUIPMENT - MW/MVAR



SHAW POWER TECHNOLOGIES INC.



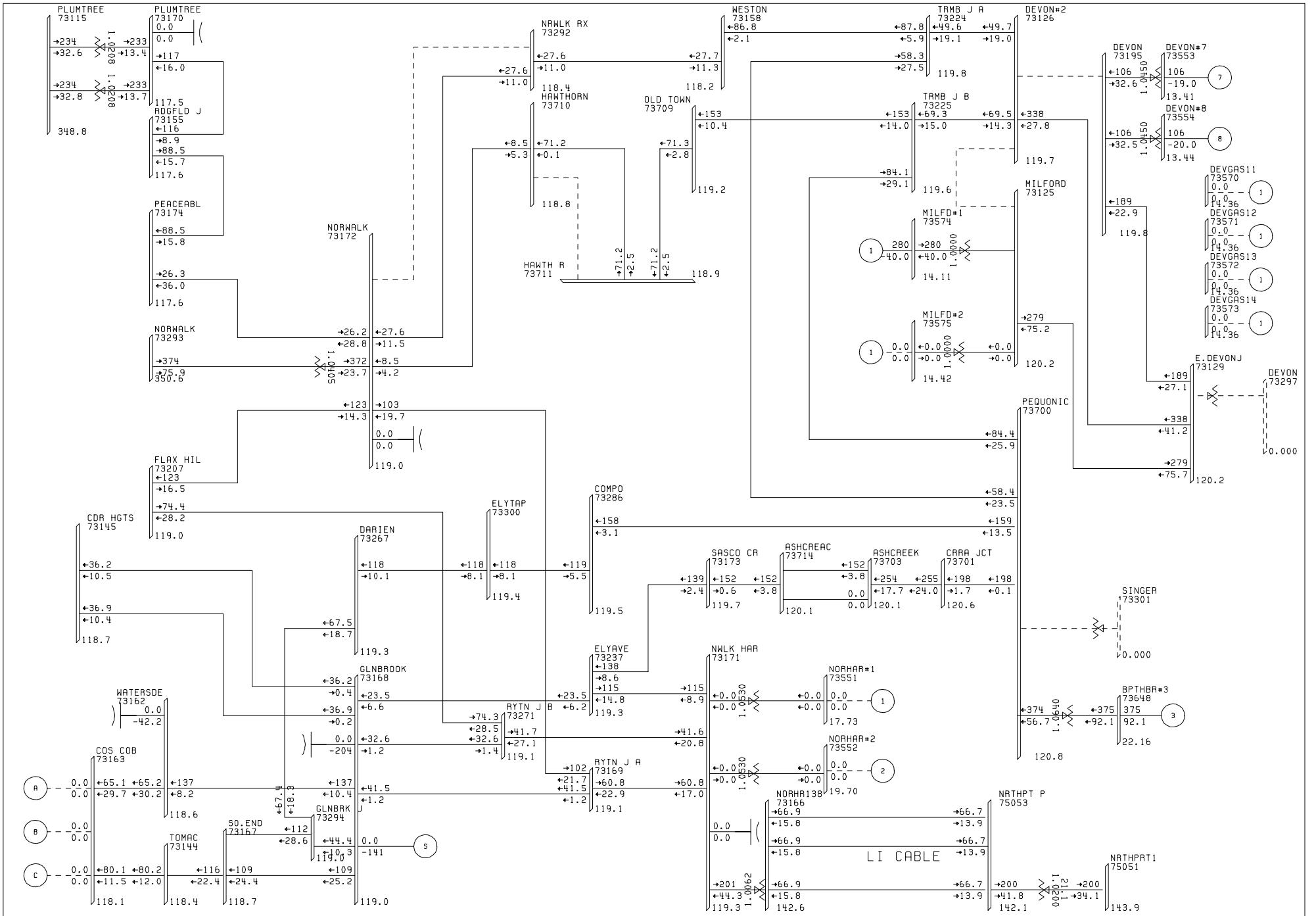


PH2-ALT2-NY-NE-091503-2, 27673 LD+LOSSES, NY TO NE = 700 MW  
 PHASE1-XP, PHASE2-ALT2, HPFF DEV-SING-NOR, PHASE 2 MODS  
 FRI, OCT 01 2004 17:26

100% RAIEA  
 KV: ≤115 , ≤138 , ≤345

BUS - VOLTAGE (KV/PU)  
 BRANCH - MW/MVAR  
 EQUIPMENT - MW/MVAR





PH2-ALT2-NY-NE-091503-2, 27673 LD+LOSSES, NY TO NE = 700 MW  
 PHASE1-XP, PHASE2-ALT2, HPFF DEV-SING-NOR, PHASE 2 MODS  
 FRI, OCT 01 2004 17:26

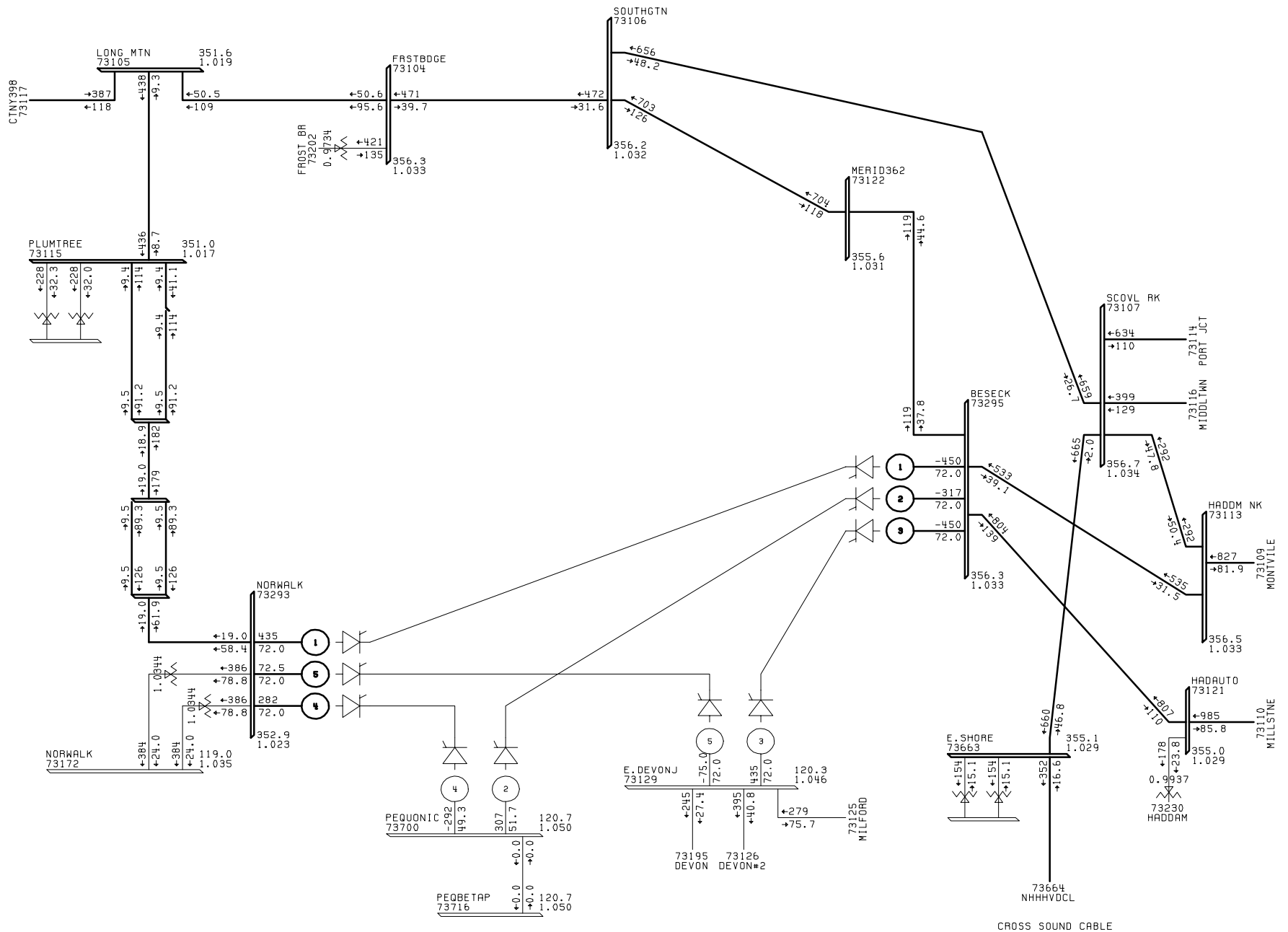
100%\_RATEA  
 KV: ≤115 , ≤138 , ≤345

BUS - VOLTAGE (KV)  
 BRANCH - MW/MVAR  
 EQUIPMENT - MW/MVAR



SHAW POWER TECHNOLOGIES INC.

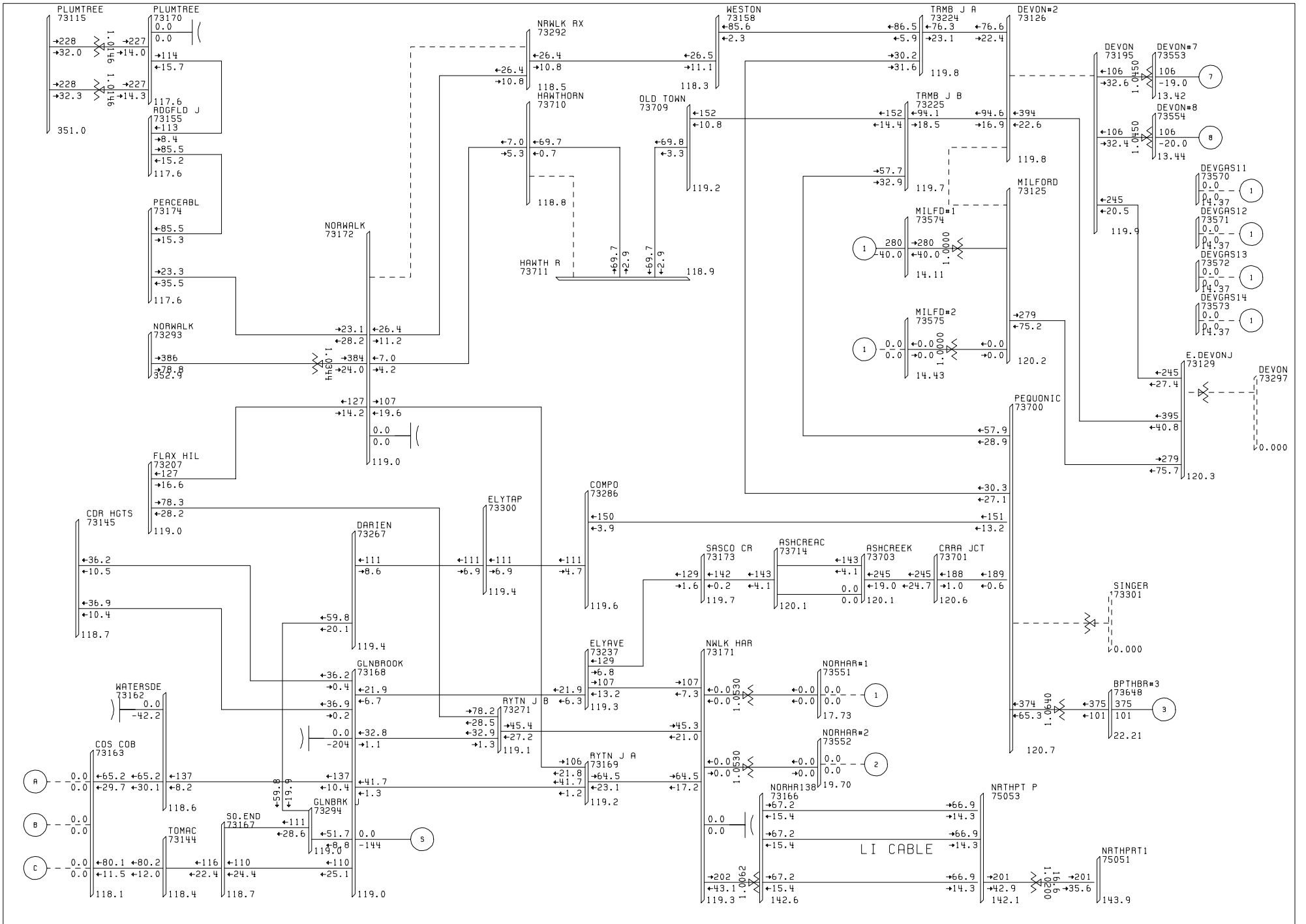




PHASE2-ALT2-091503-2, 2000 NE LIBRARY NE, 27673 LD+LOSSES  
 PHASE1-XP, PHASE2-ALT2, HPFF DEV-SING-NOR, PHASE 2 MODS  
 FRI, OCT 01 2004 17:26

100% RAIEA  
 KV: <115 , <138 , <345

BUS - VOLTAGE (KV/PU)  
 BRANCH - MW/MVAR  
 EQUIPMENT - MW/MVAR

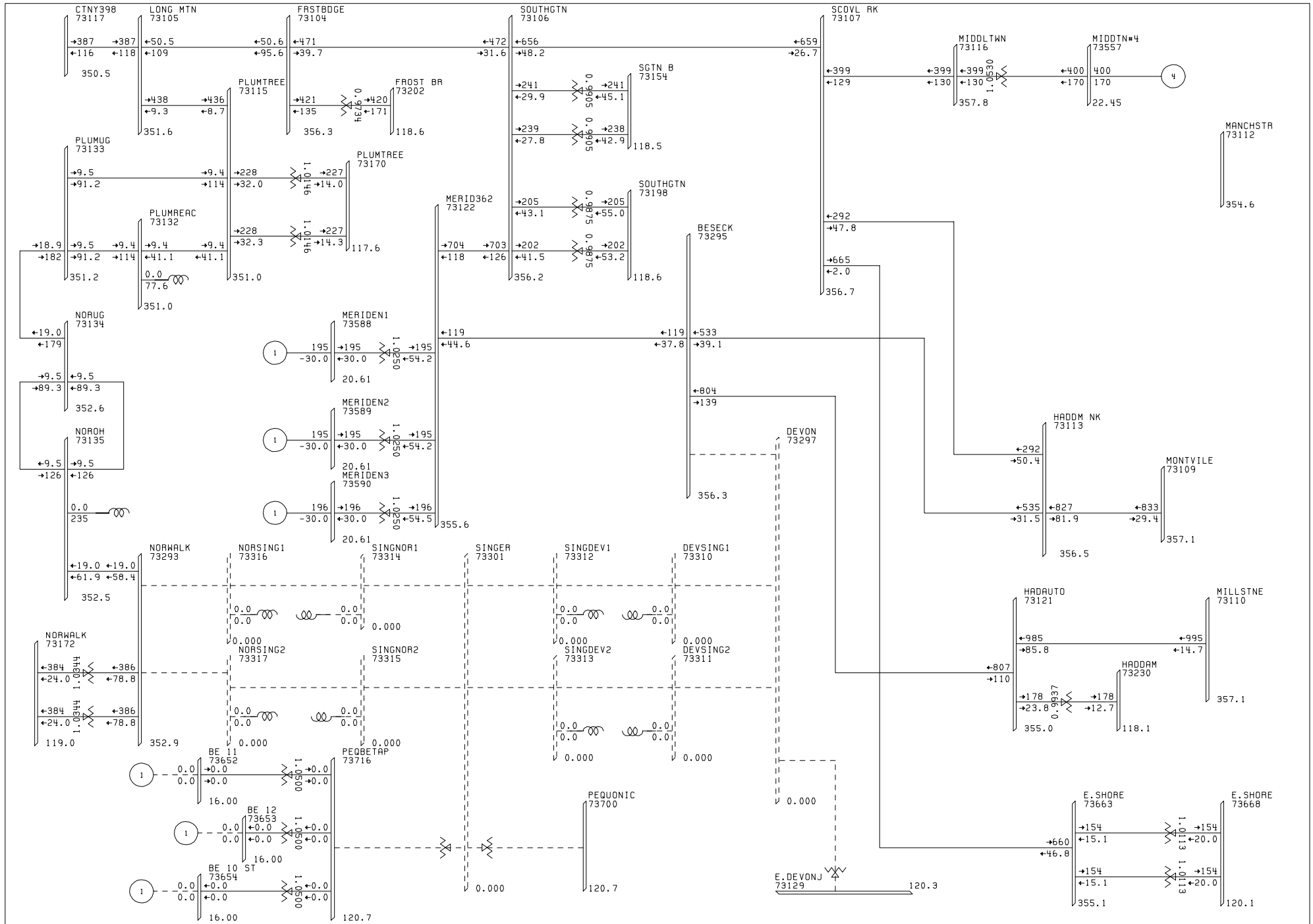


PHASE2-ALT2-091503-2, 2000 NE LIBRARY NE, 27673 LD+LOSSES  
 PHASE1-XP, PHASE2-ALT2, HPFF DEV-SING-NOR, PHASE 2 MODS  
 FRI, OCT 01 2004 17:26

100%\_RATEA  
 KV: ≤115 , ≤138 , ≤345

BUS - VOLTAGE (KV)  
 BRANCH - MW/MVAR  
 EQUIPMENT - MW/MVAR

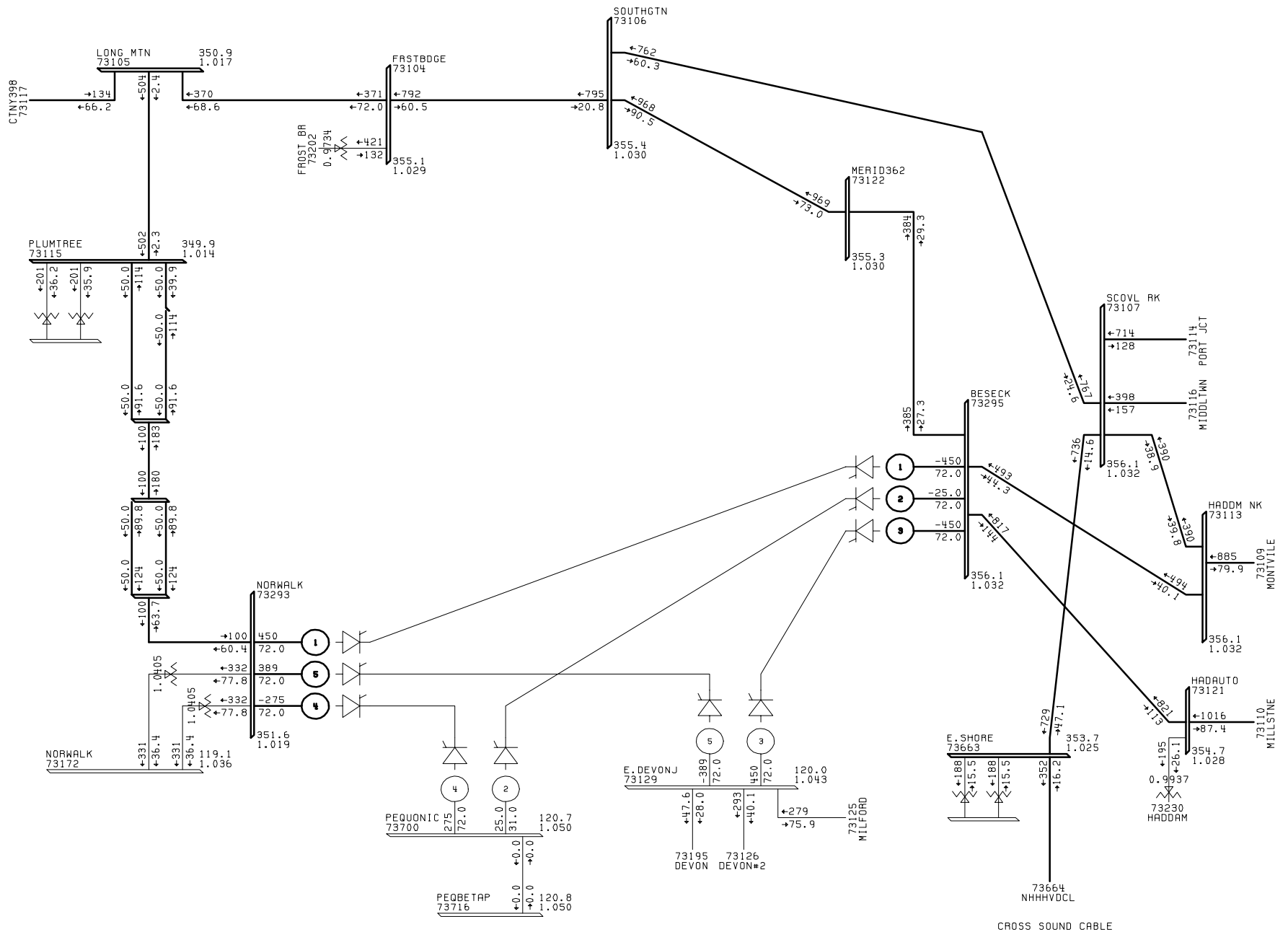




PHASE2-ALT2-091503-2, 2000 NE LIBRARY NE, 27673 LD+LOSSES  
 PHASE1-XP, PHASE2-ALT2, HPFF DEV-SING-NOR, PHASE 2 MODS  
 FRI, OCT 01 2004 17:26

100%\_RATEA

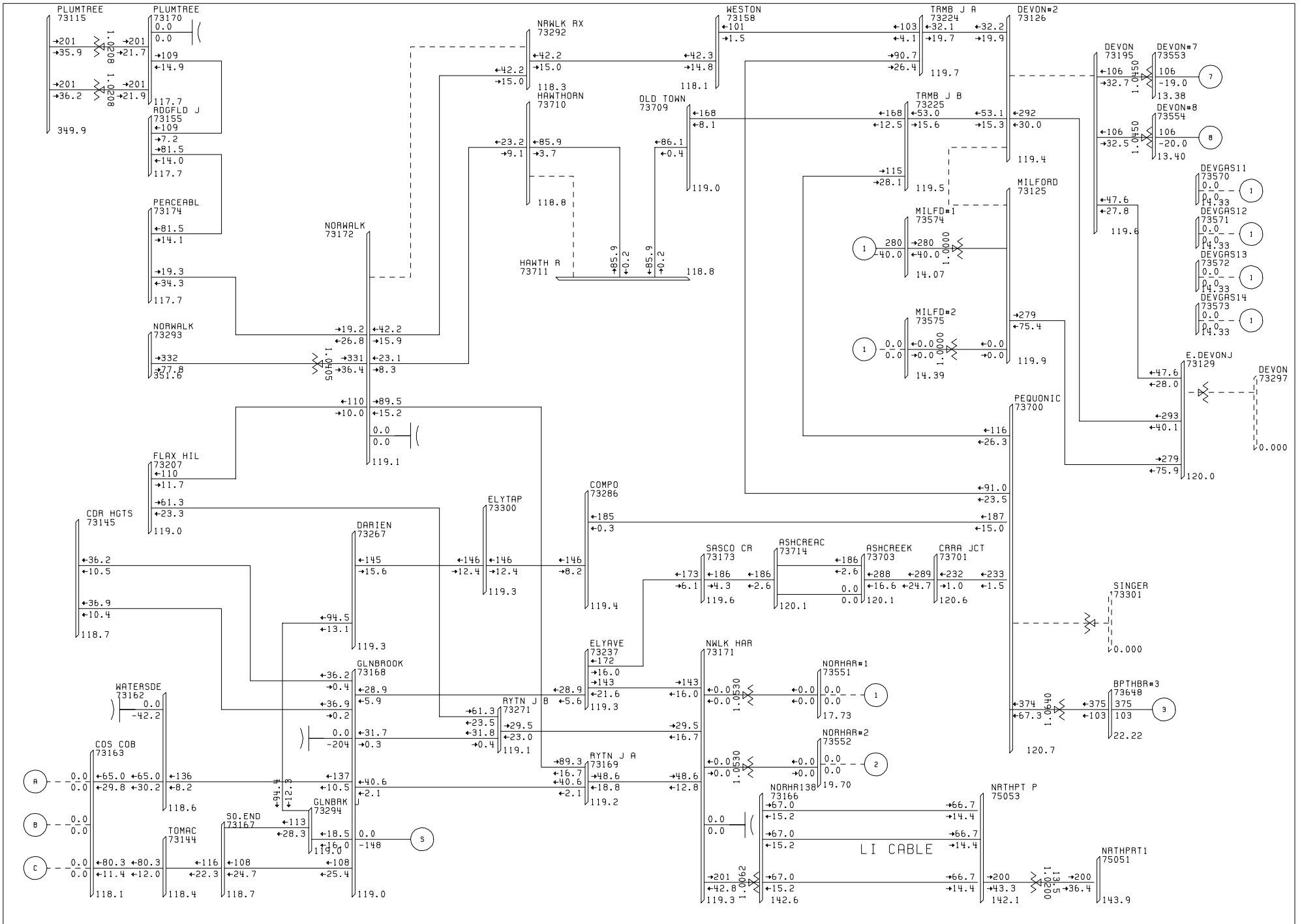
BUS - VOLTAGE (KV)  
 BRANCH - MW/MVAR  
 EQUIPMENT - MW/MVAR



PH2-ALT2-NE-NY-091503-2, 27673 LD+LOSSES, NE TO NY = 700 MW  
 PHASE1-XP, PHASE2-ALT2, HPFF DEV-SING-NOR, PHASE 2 MODS  
 FRI, OCT 01 2004 17:26

100% RAIEA  
 KV: ≤115 , ≤138 , ≤345

BUS - VOLTAGE (KV/PU)  
 BRANCH - MW/MVAR  
 EQUIPMENT - MW/MVAR



PH2-ALT2-NE-NY-091503-2, 27673 LD+LOSSES, NE TO NY = 700 MW  
 PHASE1-XP, PHASE2-ALT2, HPFF DEV-SING-NOR, PHASE 2 MODS  
 FRI, OCT 01 2004 17:26

100%\_RATEA  
 KV: ≤115 , ≤138 , ≤345

BUS - VOLTAGE (KV)  
 BRANCH - MW/MVAR  
 EQUIPMENT - MW/MVAR



