



100 Great Meadow Road
Suite 200
Wethersfield, CT 06109
860.807.4300

PLANT SCHEDULE

SYMBOL	CODE	QTY	BOTANICAL NAME	COMMON NAME	SIZE
EVERGREEN TREES					
	JE	19	<i>Juniperus virginiana</i>	Eastern Redcedar	7 - 8' HT.
	PG	21	<i>Picea glauca</i>	White Spruce	7 - 8' HT.

Planting Notes

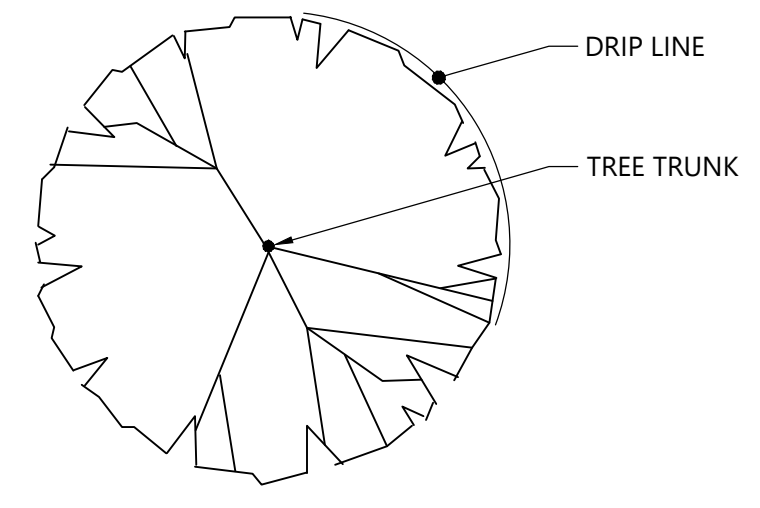
- ALL PROPOSED PLANTING LOCATIONS SHALL BE STAKED AS SHOWN ON THE PLANS FOR FIELD REVIEW AND APPROVAL BY THE LANDSCAPE ARCHITECT PRIOR TO INSTALLATION.
- CONTRACTOR SHALL VERIFY LOCATIONS OF ALL BELOW GRADE AND ABOVE GROUND UTILITIES AND NOTIFY OWNERS REPRESENTATIVE OF CONFLICTS.
- NO PLANT MATERIALS SHALL BE INSTALLED UNTIL ALL GRADING AND CONSTRUCTION HAS BEEN COMPLETED IN THE IMMEDIATE AREA. CONTRACTOR SHALL NOTIFY OWNER'S REPRESENTATIVE OF ANY CONFLICT.
- A 3-INCH DEEP MULCH PER SPECIFICATION SHALL BE INSTALLED UNDER ALL TREES AND SHRUBS, AND IN ALL PLANTING BEDS, UNLESS OTHERWISE INDICATED ON THE PLANS, OR AS DIRECTED BY OWNER'S REPRESENTATIVE.
- ALL TREES SHALL BE BALLED AND BURLAPPED, UNLESS OTHERWISE NOTED IN THE DRAWINGS OR SPECIFICATION, OR APPROVED BY THE OWNER'S REPRESENTATIVE.
- FINAL QUANTITY FOR EACH PLANT TYPE SHALL BE AS GRAPHICALLY SHOWN ON THE PLAN. THIS NUMBER SHALL TAKE PRECEDENCE IN CASE OF ANY DISCREPANCY BETWEEN QUANTITIES SHOWN ON THE PLANT LIST AND ON THE PLAN. THE CONTRACTOR SHALL REPORT ANY DISCREPANCIES BETWEEN THE NUMBER OF PLANTS SHOWN ON THE PLANT LIST AND PLANT LABELS PRIOR TO BIDDING.
- ANY PROPOSED PLANT SUBSTITUTIONS MUST BE REVIEWED BY LANDSCAPE ARCHITECT AND APPROVED IN WRITING BY THE OWNER'S REPRESENTATIVE.
- ALL PLANT MATERIALS INSTALLED SHALL MEET THE SPECIFICATIONS OF THE "AMERICAN STANDARDS FOR NURSERY STOCK" BY THE AMERICAN ASSOCIATION OF NURSEYMEN AND CONTRACT DOCUMENTS.
- ALL PLANT MATERIALS SHALL BE GUARANTEED FOR ONE YEAR FOLLOWING DATE OF FINAL ACCEPTANCE.
- AREAS DESIGNATED "LOAM & SEED" SHALL RECEIVE MINIMUM 6" OF LOAM AND SPECIFIED SEED MIX. LAWNS OVER 2:1 SLOPE SHALL BE PROTECTED WITH EROSION CONTROL FABRIC.
- ALL DISTURBED AREAS NOT OTHERWISE NOTED ON CONTRACT DOCUMENTS SHALL BE LOAM AND SEEDED OR MULCHED AS DIRECTED BY OWNER'S REPRESENTATIVE.
- THIS PLAN IS INTENDED FOR PLANTING PURPOSES. REFER TO SITE / CIVIL DRAWINGS FOR ALL OTHER SITE CONSTRUCTION INFORMATION.

Tree Protection

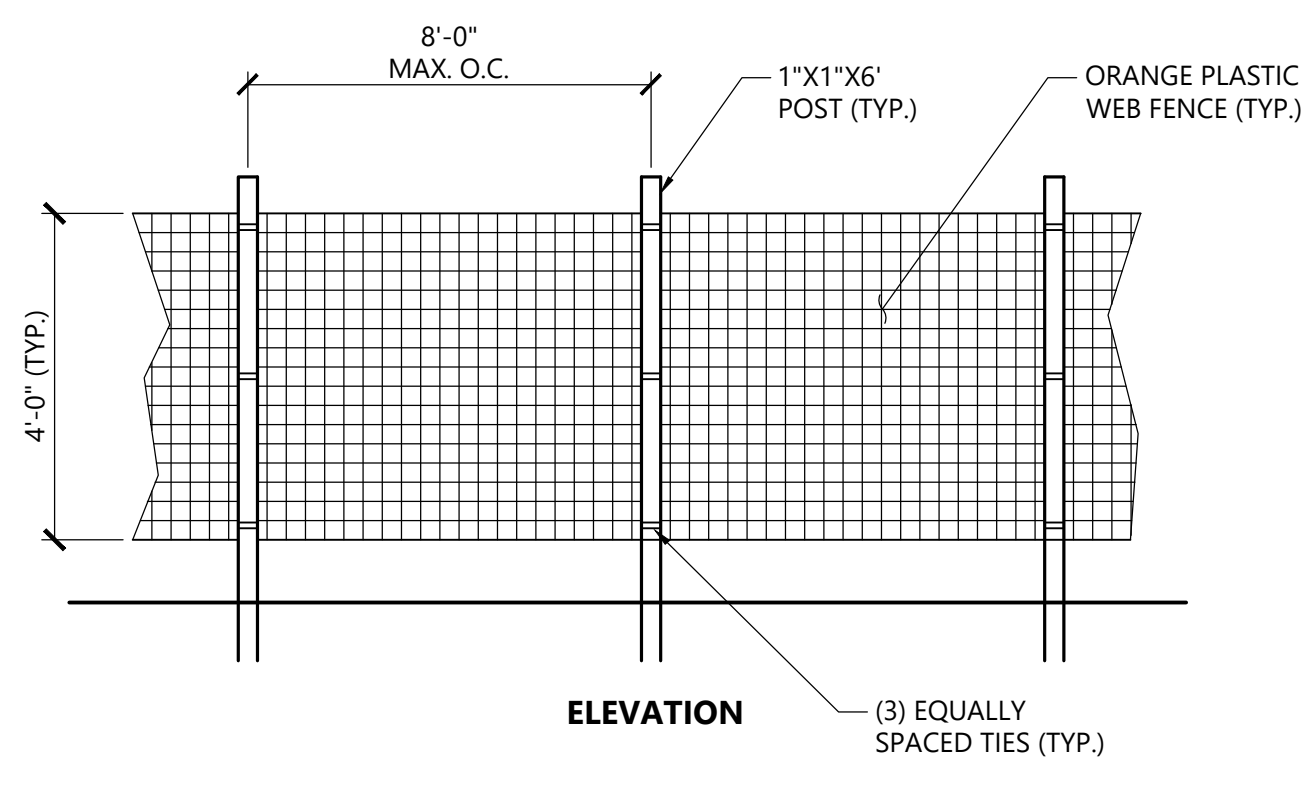
- EXISTING TREES TO REMAIN SHALL BE PROTECTED WITH TEMPORARY CONSTRUCTION FENCE. ERECT FENCE AT EDGE OF THE TREE DRIPLINE PRIOR TO START OF CONSTRUCTION.
- CONTRACTOR SHALL NOT OPERATE VEHICLES WITHIN THE TREE PROTECTION AREA. CONTRACTOR SHALL NOT STORE VEHICLES OR MATERIALS, OR DISPOSE OF ANY WASTE MATERIALS, WITHIN THE TREE PROTECTION AREA.
- DAMAGE TO EXISTING TREES CAUSED BY THE CONTRACTOR SHALL BE REPAIRED BY A CERTIFIED ARBORIST AT THE CONTRACTOR'S EXPENSE.

Plant Maintenance Notes

- CONTRACTOR SHALL PROVIDE COMPLETE MAINTENANCE OF THE LAWNS AND PLANTINGS. NO IRRIGATION IS PROPOSED FOR THIS SITE. THE CONTRACTOR SHALL SUPPLY SUPPLEMENTAL WATERING FOR NEW LAWNS AND PLANTINGS DURING THE ONE YEAR PLANT GUARANTEE PERIOD.
- CONTRACTOR SHALL PROVIDE ALL MATERIALS, LABOR, AND EQUIPMENT FOR THE COMPLETE LANDSCAPE MAINTENANCE WORK. WATER SHALL BE PROVIDED BY THE CONTRACTOR.
- WATERING SHALL BE REQUIRED DURING THE GROWING SEASON, WHEN NATURAL RAINFALL IS BELOW ONE INCH PER WEEK.
- WATER SHALL BE APPLIED IN SUFFICIENT QUANTITY TO THOROUGHLY SATURATE THE SOIL IN THE ROOT ZONE OF EACH PLANT.
- CONTRACTOR SHALL REPLACE DEAD OR DYING PLANTS AT THE END OF THE ONE YEAR GUARANTEE PERIOD. CONTRACTOR SHALL TURN OVER MAINTENANCE TO THE FACILITY MAINTENANCE STAFF AT THAT TIME.



PLAN



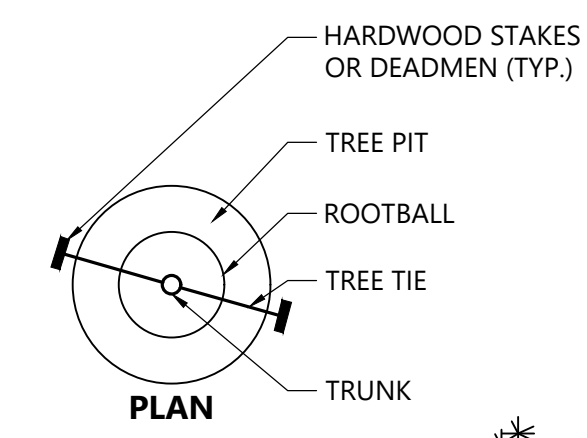
ELEVATION

NOTES

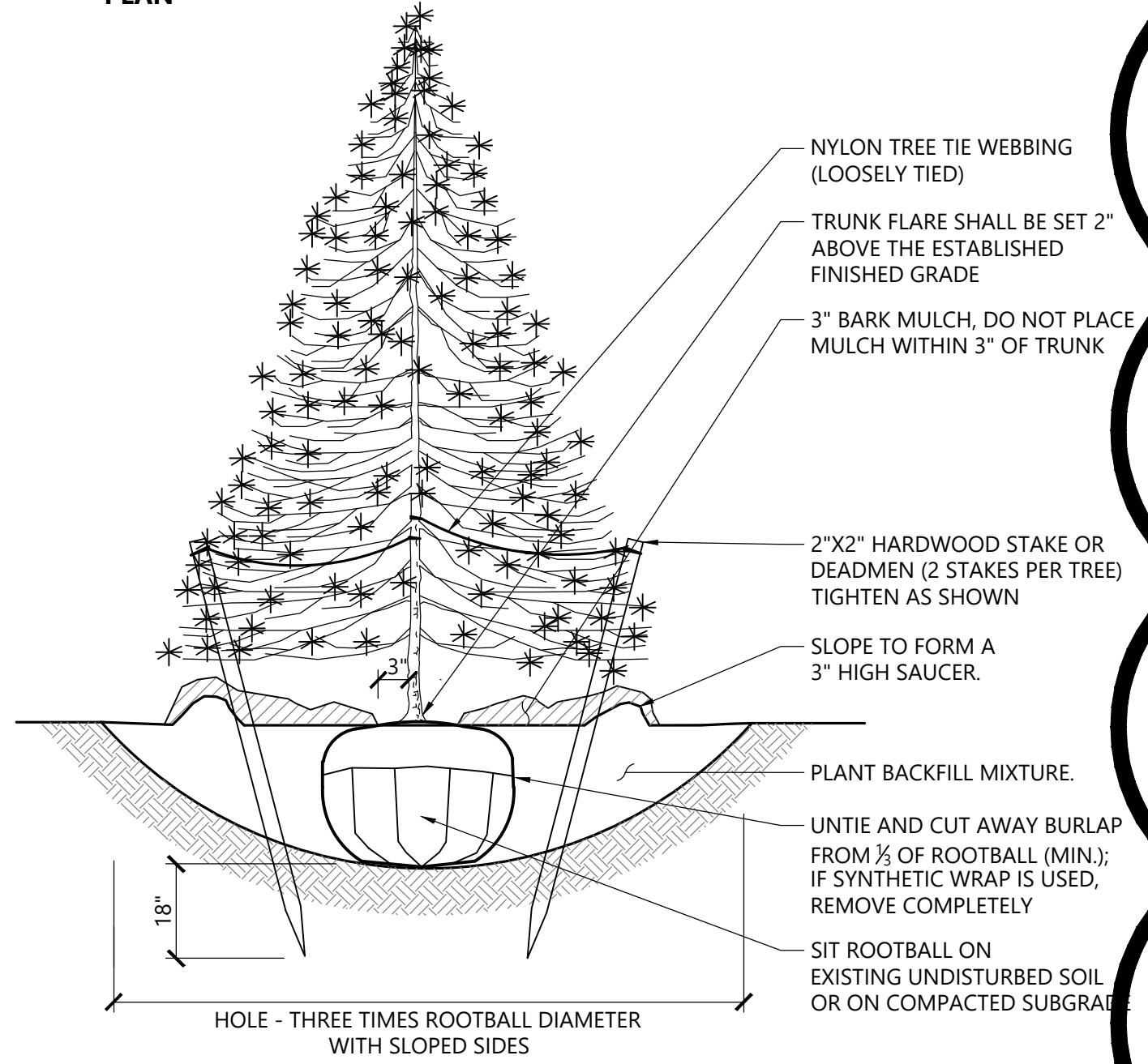
- INSTALL TREE PROTECTION FENCE AT THE DRIP LINE OF EXISTING TREES TO REMAIN.

Tree Protection Fence

N.T.S. Source: VHB 1/16 LD_610

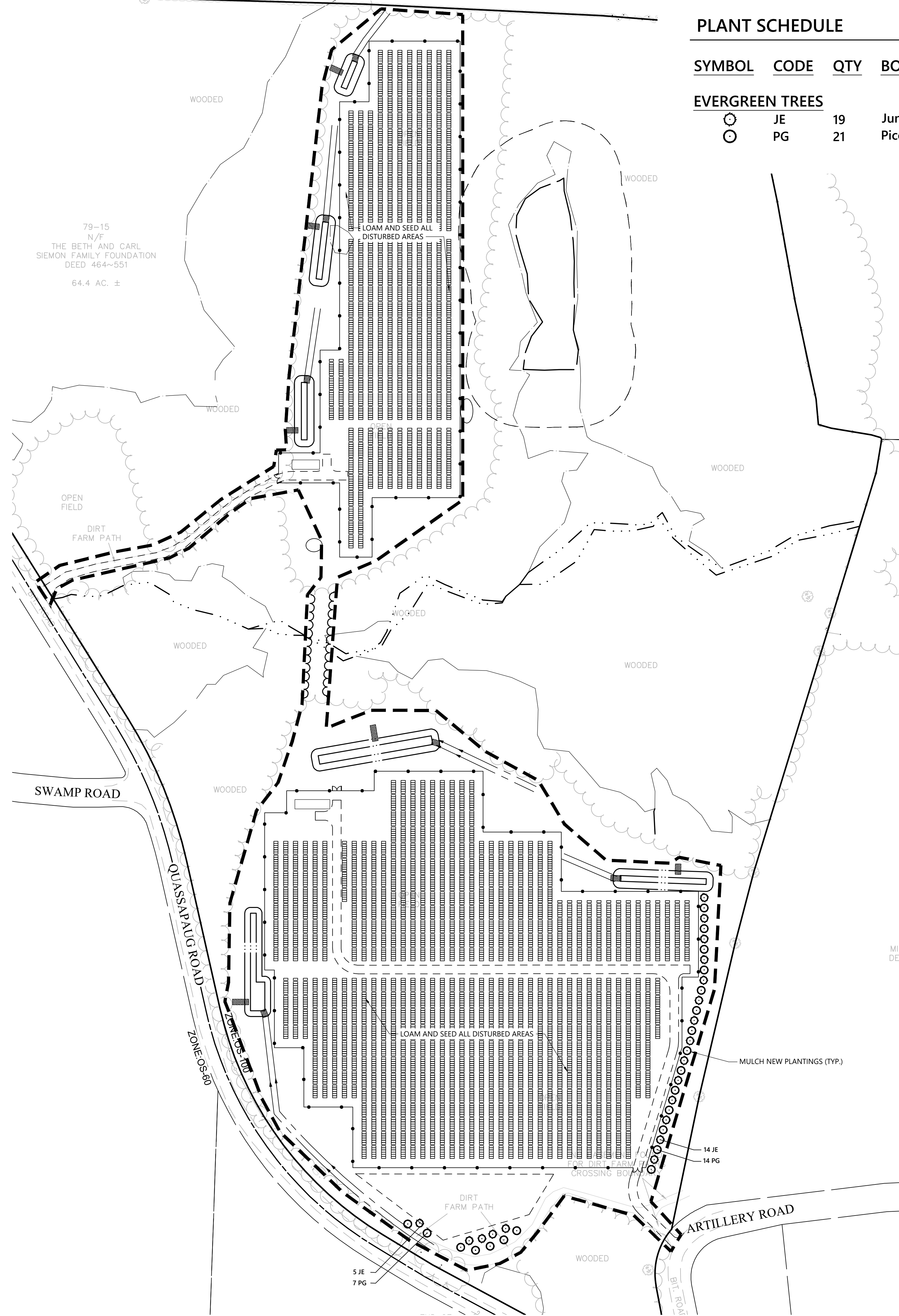


PLAN

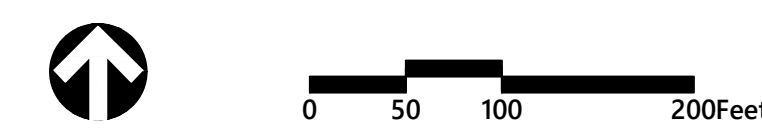


Evergreen Tree Planting

N.T.S. Source: VHB 9/1 LD_604



2



GCE Artillery Road Solar
Artillery Road
Woodbury, CT

No.	Revision	Date	App'd.
1	Issued for Construction	1/15/2026	SJK
2	Revised Layout	2/20/2026	SJK

Designed by: TMD Checked by: SJK
Issued for: Construction Date: June 30, 2025

Planting Plan

Drawing Number: L1.01

Sheet 14 of 14



Project Number: 43509.00