

524 NLR LLC

"SCRAPYARD SOLAR"

524 NEW LONDON ROAD COLCHESTER, CT

LIST OF DRAWINGS

- T-1 TITLE SHEET & INDEX
- 1 & 2 OF 2 PROPERTY & TOPOGRAPHIC SURVEY PROVIDED BY MARTIN SURVEYING ASSOCIATES, LLC
- GN-1 GENERAL NOTES
- GN-2 ENVIRONMENTAL NOTES
- OP-1 OVERALL LOCUS MAP
- EC-1 SEDIMENTATION & EROSION CONTROL NOTES
- EC-2 SEDIMENTATION & EROSION CONTROL DETAILS
- EC-3 PHASE 1 SEDIMENTATION & EROSION CONTROL PLAN
- EC-4 PHASE 2 SEDIMENTATION & EROSION CONTROL PLAN
- GD-1 FINAL GRADING & DRAINAGE PLAN
- SP-1 SITE & UTILITY PLAN
- LP-1 LANDSCAPE SEEDING PLAN
- DN-1 SITE DETAILS
- DN-2 SITE DETAILS

SITE INFORMATION

SITE NAME: COLCHESTER SOLAR
 LOCATION: 524 NEW LONDON ROAD
 COLCHESTER, CT

SITE TYPE/DESCRIPTION: ADD (1) GROUND MOUNTED SOLAR PANEL
 ARRAY W/ ASSOCIATED EQUIPMENT AND
 GRAVEL ACCESS ROAD.

PROPERTY OWNER: FIVE J, LLC
 524 NEW LONDON ROAD
 COLCHESTER, CT

APPLICANT: 524 NLR LLC
 9 NOVELTY LANE - UNIT 9B
 ESSEX, CT 06426

ENGINEER CONTACT: KEVIN A. MCCAFFERY, P.E.
 (860) 581-4477

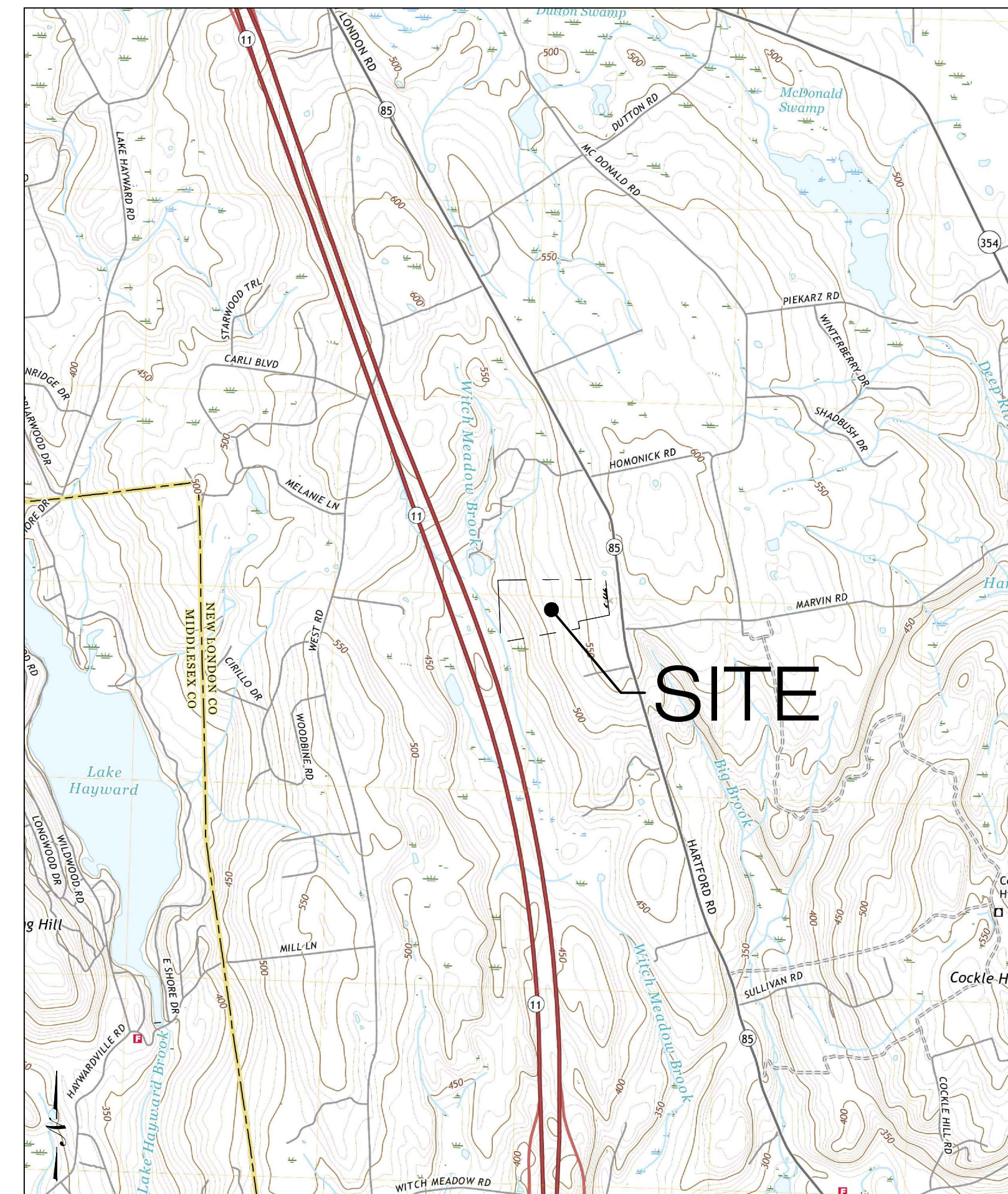
LATITUDE: 41.527693°
 LONGITUDE: -72.299056°

MBLU: 01-10/03B-000
 ZONE: RU - RURAL

TOTAL SITE ACREAGE: 35.56± AC.
 TOTAL DISTURBED AREA: 16.49± AC.

APPROX. VOLUME OF CUT: 5,192± CY (TEMPORARY)
 APPROX. VOLUME OF FILL: 630± CY (TEMPORARY)
 APPROX. NET VOLUME: 4,562± CY OF CUT (TEMPORARY)

USGS TOPOGRAPHIC MAP



SCALE : 1" = 2000' SOURCE: NRCS NEW HAVEN CT DIGITAL RASTER GRAPHIC COUNTY MOSAIC, 2001

524 NLR LLC
 9 NOVELTY LANE, UNIT 9B
 ESSEX, CT 06426



CSC PERMIT SET		
NO	DATE	REVISION
0	03/07/23	FOR FILING: KAM
1		
2		
3		
4		
5		
6		

DESIGN PROFESSIONAL OF RECORD
 PROF: KEVIN A. MCCAFFERY, P.E.
 COMP: ALL-POINTS TECHNOLOGY
 CORPORATION, P.C.
 ADD: 567 VAUXHALL STREET
 EXTENSION - SUITE 311
 WATERFORD, CT 06385
 OWNER: FIVE J, LLC
 ADDRESS: 524 NEW LONDON ROAD
 COLCHESTER, CT

SCRAPYARD SOLAR
 SITE: 524 NEW LONDON ROAD
 ADDRESS: COLCHESTER, CT
 APT FILING NUMBER: CT580160
 DATE: 03/07/23
 DRAWN BY: JAB
 CHECKED BY: KAM

SHEET TITLE:
 TITLE SHEET & INDEX

SHEET NUMBER:
 T-1

MAP NOTES:

- 1. THIS MAP AND SURVEY HAVE BEEN PREPARED PURSUANT TO THE REGULATIONS OF CONNECTICUT STATE AGENCIES SECTIONS 20-300b-1 THROUGH 20-300b-20 AND "THE MINIMUM STANDARDS FOR SURVEYS AND MAPS IN THE STATE OF CONNECTICUT" ADOPTED JUNE 21, 1996; AMENDED OCTOBER 26, 2018.
2. THE TYPE OF SURVEY PERFORMED AND THE MAPPED FEATURES DEPICTED HEREON ARE IN ACCORDANCE WITH THE REQUIREMENTS OF A PROPERTY & TOPOGRAPHIC SURVEY AND IS INTENDED TO DEPICT EXISTING FEATURES UPON THE SUBJECT-PARCEL FOR THE PURPOSE OF DESIGN CONSIDERATIONS.
3. THE HORIZONTAL BASELINE CONFORMS TO A CLASS A-2 ACCURACY. THE VERTICAL BASELINE CONFORMS TO A CLASS V-2 ACCURACY. THE TOPOGRAPHIC FEATURES CONFORM TO A CLASS T-3 ACCURACY.
4. THE PROPERTY/BOUNDARY DETERMINATION/OPINION DEPICTED HEREON CONFORMS TO A CLASS A-2 STANDARD AND IS BASED UPON A RESURVEY OF MAP REFERENCE 'A'.
5. THE VERTICAL RELIEF AND CONTOURS DEPICTED HEREON HAVE BEEN COMPILED FROM THE 2016 LIDAR FLIGHT CONDUCTED BY THE STATE OF CONNECTICUT AVAILABLE AT CTECO.COM AND BY A UAS FLIGHT CONDUCTED BY MARTIN SURVEYING ASSOCIATES ON JULY 28, 2022. THE VERTICAL RELIEF AND CONTOURS DEPICTED HEREON HAVE BEEN MODIFIED TO NOT DEPICT CERTAIN STOCK PILES LOCATED WITHIN THE PROJECT SCOPE AT THE CLIENTS REQUEST.
6. THE NORTH ARROW AND BEARINGS ARE BASED UPON THE CONNECTICUT STATE COORDINATE SYSTEM N.A.D. 1983 (2011). THE ELEVATIONS ARE BASED UPON THE NORTH AMERICAN VERTICAL DATUM OF 1988 (NAVD 88) USING GEOID 12B. COORDINATES AND ELEVATIONS WERE DETERMINED FROM RTK GPS OBSERVATIONS MADE ON JULY 28, 2022, USING THE CT DOT RTK NETWORK (KNOWN AS ACORN (CTMA BASE)), HAVING THE FOLLOWING VALUES:

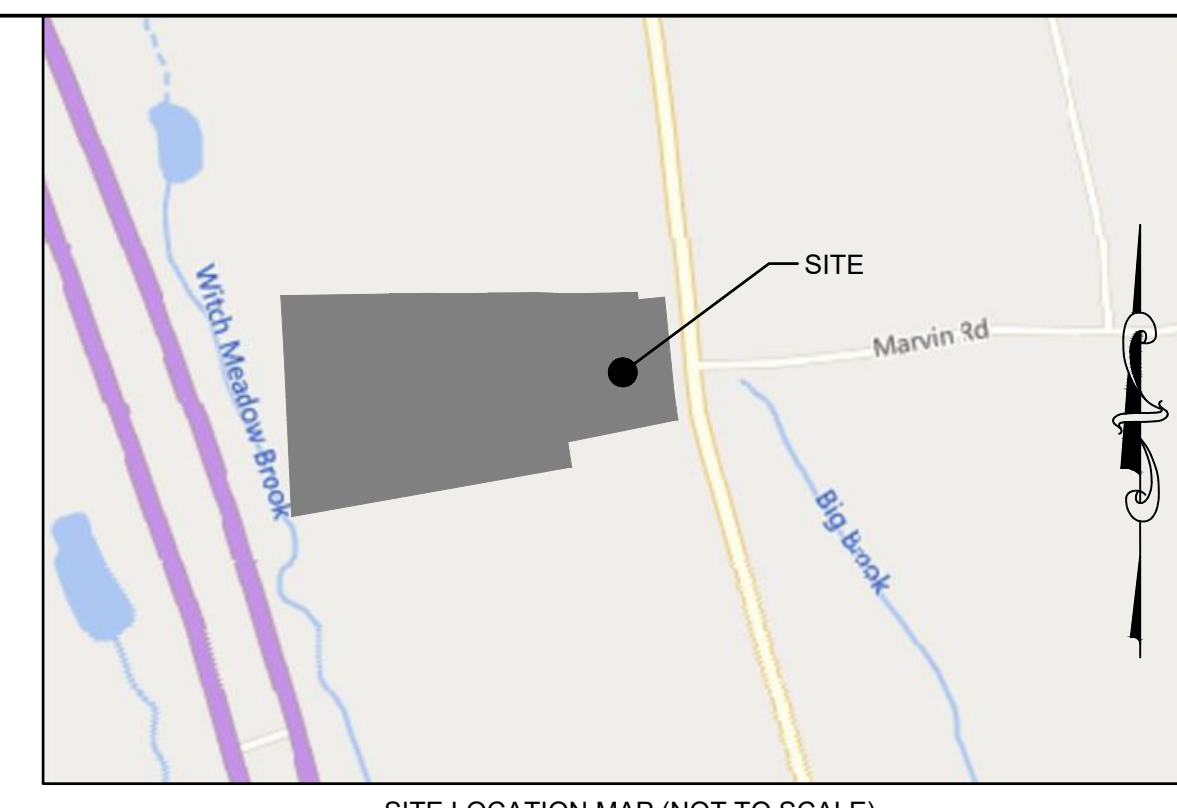
LATITUDE = N 41° 43' 52.91679"
LONGITUDE = W 72° 12' 38.87732"
ELLIPSOID HEIGHT = 55.16M

MAP NOTES:

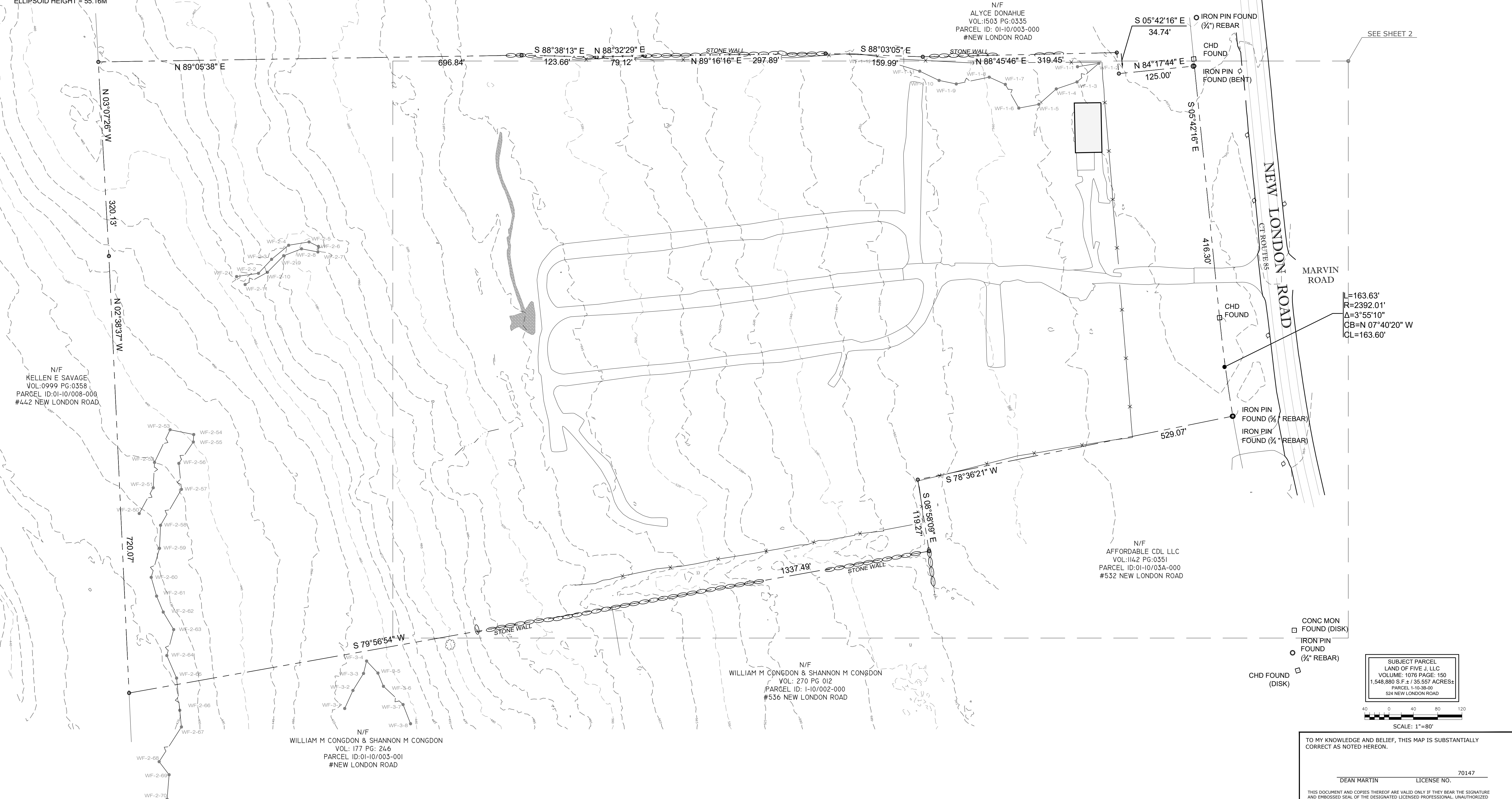
- 7. THE FEATURES DEPICTED HEREON ARE BASED UPON AN UNMANNED AERIAL SURVEY CONDUCTED ON JULY 28, 2022 AND A FIELD SURVEY CONDUCTED IN AUGUST, 2022.
8. UNDERGROUND UTILITIES, STRUCTURES AND FACILITY LOCATIONS DEPICTED AND NOTED HEREON ARE BASED UPON OBSERVABLE SURFACE EVIDENCE WHILE CONDUCTING THE FIELD SURVEY. THESE LOCATIONS MUST BE CONSIDERED AS APPROXIMATE IN NATURE. ADDITIONALLY, OTHER SUCH FEATURES MAY EXIST ON THE SITE, THE EXISTENCE WHICH IS UNKNOWN TO MARTIN SURVEYING ASSOCIATES, LLC. ALL CONTRACTORS ARE REQUIRED TO CONTACT CALL-BEFORE-YOU-DIG AT 1-800-922-4455 FOR LOCATION AND OR STAKEOUT OF ANY UTILITY PRIOR TO ANY EXCAVATION.
9. THE WETLANDS DELINEATION DEPICTED HEREON HAS BEEN PROVIDED BY ALL POINTS TECHNOLOGY CORPORATION.

MAP REFERENCES:

- A. "KEY MAP PREPARED FOR DWIGHT R. MARVIN, CONNECTICUT ROUTE 85 COLCHESTER, CONNECTICUT" SCALE: 1"=100'; DATED: JUNE, 1989; BY: ROLAND J. HARRIS & ASSOCIATES.
B. "PLAN MADE FOR DWIGHT H. & DWIGHT R. MARVIN TOWN OF COLCHESTER, CONNECTICUT" SCALE: 1"= 40'; DATED: NOVEMBER, 1955; BY: CHANDLER & PALMER, ENGINEERS.
C. "MAP SHOWING PROPERTY OF DWIGHT MARVIN ROUTE #85 COLCHESTER, CONNECTICUT" SCALE: 1"=100'; DATED: APRIL 10, 1975; BY: BERNARD F. STONE.
D. "LAND OF DWIGHT MARVIN 10 ACRES FOR PROPOSED USED AUTO PARTS" SCALE: 1"=100'; DATED: SEPTEMBER, 1970; BY: EDWARD J. BAZZELL.
E. "GLEN RIDGE SUBDIVISION OF PROPERTY BELONGING TO DWIGHT R. MARVIN BEING CONVEYED TO LINDA M. GLENN PROPERTY LOCATED AT HARTFORD-NEW LONDON TURNPIKE (ROUTE 85) COLCHESTER CONNECTICUT, ASSESSORS MAP 1-10, LOT 3" SCALE: 1"=100'; DATED: DECEMBER 24, 1987; BY: ROWLEY ENGINEERING & ASSOCIATES.
F. CLAUSON ESTATES SUBDIVISION PLAN PREPARED FOR ANN H. CLAUSON COLCHESTER, CONNECTICUT" SCALE: 1"=100'; DATED: SEPTEMBER 4, 1974; BY: ILLEGIBLE; DRAWER 14 SHEET 53 OF THE TOWN OF COLCHESTER LAND RECORDS.
G. "RIGHT OF WAY MAP TOWN OF COLCHESTER, COLCHESTER TO WATERFORD ROAD, FROM LAKE HAYWARD ROAD SOUTHERLY TO THE SALEM TOWN LINE" (SHEETS 4 THROUGH 7) SCALE: 1"=80'; DATED: SEPTEMBER, 1994; BY: CONNECTICUT DEPARTMENT OF TRANSPORTATION.
H. "RIGHT OF WAY MAP, TOWN OF COLCHESTER, HARTFORD-NEW LONDON TURNPIKE, FROM CROSS LANE SOUTHERLY TO SALEM TOWN LINE, ROUTE NO. 102" (SHEETS 1-2, 2A) SCALE: 1"=40'; DATED: MARCH, 1960; BY: CONNECTICUT STATE HIGHWAY DEPARTMENT.



SITE LOCATION MAP (NOT TO SCALE)



LEGEND:
IRON PIN (FOUND)
Rebar/Drill Hole (To Be Set)
MONUMENT (FOUND)
DRAINAGE MANHOLE
SANITARY MANHOLE
ELEC. MANHOLE
TELE. MANHOLE
"C" CATCH BASIN
"C-L" CATCH BASIN
DECIDUOUS TREES
EVERGREEN TREES
SHRUB/BUSH
FLAG POLE
TRAFFIC CONTROL BOX
SIGN
POST
LIGHT POLE
GUY ANCHOR
UTILITY POLE
WATER GATE
WATER METER
GAS VALVE
GAS METER
TRANSFORMER
ELEC. METER
MAIL BOX
HAND HOLE
BUTTON BOX
A.C. UNIT
TRAFFIC LIGHT POLE

BOUNDARY LINE
GUARD RAIL
UNDERGROUND PIPING (San., Stm.)
U/G GAS LINE
U/G ELEC. LINE
WATER LINE
OVERHEAD UTILITIES
U/G TELE. LINE
CHAIN LINK FENCE
TREE LINE

Martin Surveying Associates, LLC
201 CHRISTIAN LANE, BERLIN, CT 06037
860-832-9328 860-357-4604 (FAX)
WWW.MARTINSURVEY.COM

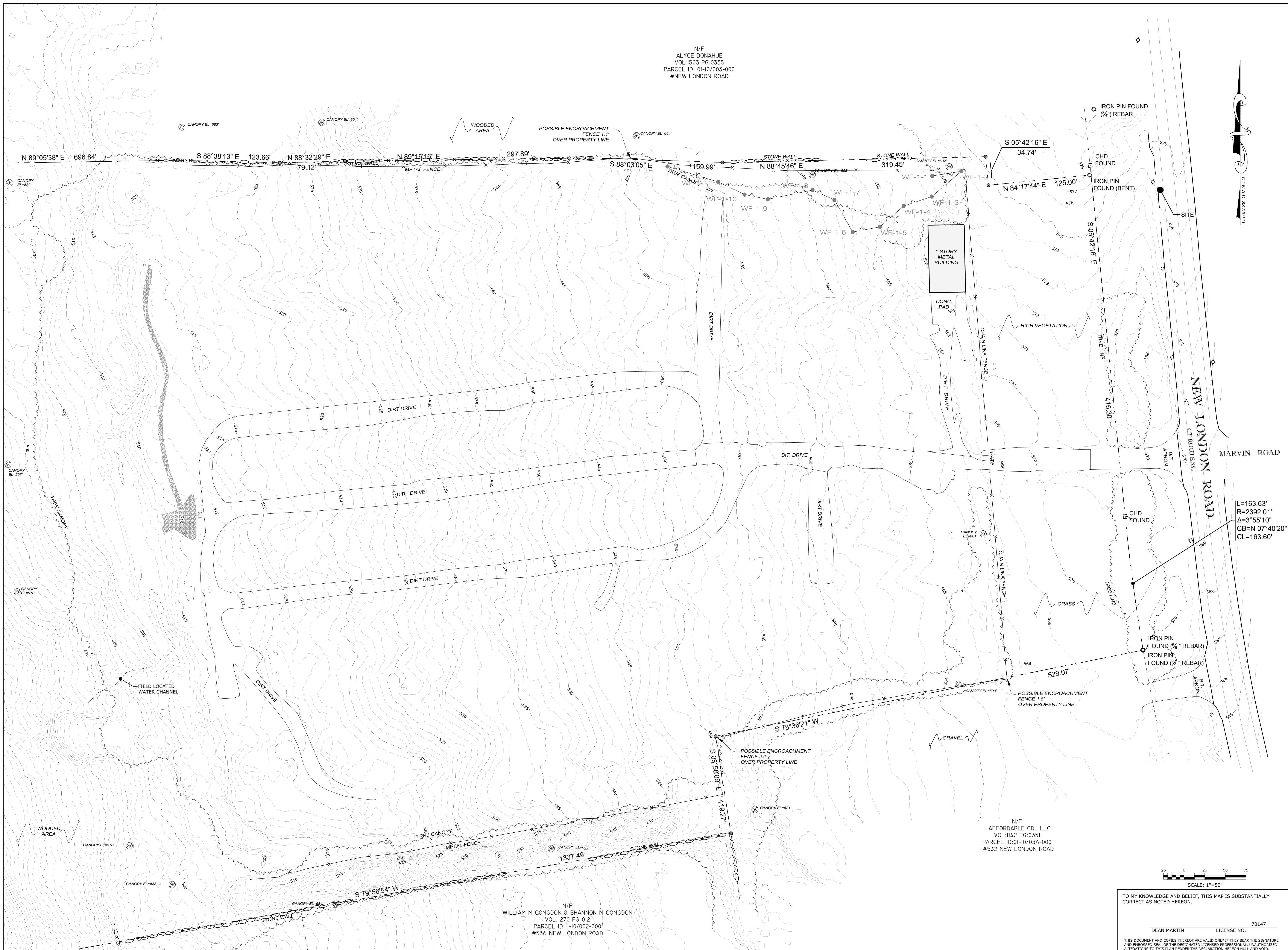
REVISIONS:

PROPERTY & TOPOGRAPHIC SURVEY
LAND OF
FIVE J, LLC
524 NEW LONDON ROAD
CT ROUTE NO. 85
COLCHESTER, CONNECTICUT

MSA PROJECT NO.: 22-085
SCALE: 1"=80'
DATE: 2022-09-06
DRAWN BY: G.S.D.
CHECKED BY: D.G.M.

SHEET: 1 OF 2

SUBJECT PARCEL
LAND OF FIVE J, LLC
VOLUME: 1076 PAGE: 150
1,548,860 S.F. / 35,557 ACRES
PARCEL 1-10-38-00
524 NEW LONDON ROAD
SCALE: 1"=80'
DEAN MARTIN LICENSE NO. 70147
TO MY KNOWLEDGE AND BELIEF, THIS MAP IS SUBSTANTIALLY CORRECT AS NOTED HEREON.
THIS DOCUMENT AND COPIES THEREOF ARE VALID ONLY IF THEY BEAR THE SIGNATURE AND EMBOSSED SEAL OF THE DESIGNATED LICENSED PROFESSIONAL. UNAUTHORIZED ALTERATIONS TO THIS PLAN RENDER THE DECLARATION HEREON NULL AND VOID.



N/F
ALYCE DONAHUE
VOL:1503 PG:0335
PARCEL ID: 01-10/003-000
#NEW LONDON ROAD

N/F
AFFORDABLE CDL LLC
VOL:1142 PG:0351
PARCEL ID:01-10/03A-000
#532 NEW LONDON ROAD

N/F
WILLIAM M CONGDON & SHANNON M CONGDON
VOL: 270 PG 012
PARCEL ID: 1-10/002-000
#536 NEW LONDON ROAD

- LEGEND:
- IRON PIN (FOUND)
 - Rebar/Drill Hole (To Be Set)
 - MONUMENT (FOUND)
 - ⊙ MANHOLE
 - ⊕ DRAINAGE MANHOLE
 - ⊕ SANITARY MANHOLE
 - ⊕ ELEC. MANHOLE
 - ⊕ TELE. MANHOLE
 - ⊕ "C" CATCH BASIN
 - "C-L" CATCH BASIN
 - ⊙ DECIDUOUS TREES
 - ★ EVERGREEN TREES
 - ⊙ SHRUB/BUSH
 - ⊙ FLAG POLE
 - ⊕ TRAFFIC CONTROL BOX
 - △ SIGN
 - POST
 - ☆ LIGHT POLE
 - ⊕ GUY ANCHOR
 - ⊕ UTILITY POLE
 - ⊕ WG WATER GATE
 - ⊕ WM WATER METER
 - ⊕ GV GAS VALVE
 - ⊕ GM GAS METER
 - ⊕ TRANSFORMER
 - ⊕ ELEC. METER
 - ⊕ MAIL BOX
 - ⊕ HAND HOLE
 - ⊕ BUTTON BOX
 - ⊕ A.C. UNIT
 - ⊕ TRAFFIC LIGHT POLE

- BOUNDARY LINE
- GUARD RAIL
- UNDERGROUND PIPING (San., Stm.)
- G --- U/G GAS LINE
- E --- U/G ELEC. LINE
- W --- WATER LINE
- OVERHEAD UTILITIES
- T --- U/G TELE. LINE
- CHAIN LINK FENCE
- TREE LINE

martin
Surveying Associates, LLC
201 CHRISTIAN LANE BERLIN, CT 06037
860-832-9328 860-357-4604 (FAX)
WWW.MARTINSURVEY.COM

REVISIONS:

PROPERTY & TOPOGRAPHIC SURVEY
LAND OF
FIVE J, LLC
524 NEW LONDON ROAD
CT ROUTE NO. 85
COLCHESTER, CONNECTICUT

MSA PROJECT NO: 22-085

SCALE: 1"=50'
DATE: 2022-09-06

DRAWN BY: G.S.D.
CHECKED BY: D.G.M.

SHEET:

2 OF 2

TO MY KNOWLEDGE AND BELIEF, THIS MAP IS SUBSTANTIALLY CORRECT AS NOTED HEREON.

DEAN MARTIN LICENSE NO. 70147

THIS DOCUMENT AND COPIES THEREOF ARE VALID ONLY IF THEY BEAR THE SIGNATURE AND EMBOSSED SEAL OF THE DESIGNATED LICENSED PROFESSIONAL. UNAUTHORIZED ALTERATIONS TO THIS PLAN RENDER THE DECLARATION HEREON NULL AND VOID.

GENERAL NOTES

- ALL CONSTRUCTION SHALL COMPLY WITH PROJECT DEVELOPER STANDARDS, TOWN OF COLCHESTER STANDARDS, CONNECTICUT DEPARTMENT OF TRANSPORTATION STANDARDS AND SPECIFICATIONS IN THE ABOVE REFERENCED INCREASING HIERARCHY. IF SPECIFICATIONS ARE IN CONFLICT, THE MORE STRINGENT SPECIFICATION SHALL APPLY.
- IF NO PROJECT CONSTRUCTION SPECIFICATION PACKAGE IS PROVIDED BY THE PROJECT DEVELOPER OR THEIR REPRESENTATIVE, THE CONTRACTOR SHALL COMPLY WITH THE MANUFACTURER, TOWN OF COLCHESTER, OR CONNECTICUT DEPARTMENT OF TRANSPORTATION STANDARD SPECIFICATIONS, AND BE IN ACCORDANCE WITH ALL APPLICABLE OSHA, FEDERAL, STATE AND LOCAL REGULATIONS.
- THE PROJECT DEVELOPER IS RESPONSIBLE FOR OBTAINING ALL NECESSARY ZONING AND STORMWATER PERMITS REQUIRED BY GOVERNMENT AGENCIES PRIOR TO CONSTRUCTION. THE CONTRACTOR SHALL OBTAIN ALL TOWN OF COLCHESTER CONSTRUCTION PERMITS. THE CONTRACTOR SHALL POST ALL BONDS, PAY ALL FEES, PROVIDE PROOF OF INSURANCE AND PROVIDE TRAFFIC CONTROL NECESSARY FOR THIS WORK.
- REFER TO PLANS, DETAILS AND REPORTS PREPARED BY ALL-POINTS TECHNOLOGY CORPORATION FOR ADDITIONAL INFORMATION. THE CONTRACTOR SHALL VERIFY ALL SITE CONDITIONS IN THE FIELD AND CONTACT THE PROJECT DEVELOPER IF THERE ARE ANY QUESTIONS OR CONFLICTS REGARDING THE CONSTRUCTION DOCUMENTS AND/OR FIELD CONDITIONS SO THAT APPROPRIATE REVISIONS CAN BE MADE PRIOR TO BIDDING/CONSTRUCTION. ANY CONFLICT BETWEEN THE DRAWINGS AND SPECIFICATIONS SHALL BE CONFIRMED WITH THE PROJECT DEVELOPER'S CONSTRUCTION MANAGER PRIOR TO CONSTRUCTION.
- THE CONTRACTOR SHALL SUBMIT SHOP DRAWINGS OF ALL PRODUCTS, MATERIALS PER PLANS, AND SPECIFICATIONS TO THE PROJECT DEVELOPER FOR REVIEW AND APPROVAL PRIOR TO FABRICATION OR DELIVERY TO THE SITE. ALLOW A MINIMUM OF 14 WORKING DAYS FOR REVIEW.
- SHOULD ANY UNKNOWN OR INCORRECTLY LOCATED EXISTING PIPING OR OTHER UTILITY BE UNCOVERED DURING EXCAVATION, CONSULT THE PROJECT DEVELOPER IMMEDIATELY FOR DIRECTIONS BEFORE PROCEEDING FURTHER WITH WORK IN THIS AREA.
- DO NOT INTERRUPT EXISTING UTILITIES SERVICING FACILITIES OCCUPIED AND USED BY THE PROJECT DEVELOPER OR OTHERS DURING OCCUPIED HOURS, EXCEPT WHEN SUCH INTERRUPTIONS HAVE BEEN AUTHORIZED IN WRITING BY THE PROJECT DEVELOPER AND THE LOCAL MUNICIPALITY. INTERRUPTIONS SHALL ONLY OCCUR AFTER ACCEPTABLE TEMPORARY SERVICE HAS BEEN PROVIDED.
- THE CONTRACT LIMIT IS THE PROPERTY LINE UNLESS OTHERWISE SPECIFIED OR SHOWN ON THE CONTRACT DRAWINGS.
- THE CONTRACTOR SHALL ABIDE BY ALL OSHA, FEDERAL, STATE AND LOCAL REGULATIONS WHEN OPERATING CRANES, BOOMS, HOISTS, ETC. IN CLOSE PROXIMITY TO OVERHEAD ELECTRIC LINES. IF CONTRACTOR MUST OPERATE EQUIPMENT CLOSE TO ELECTRIC LINES, CONTACT POWER COMPANY TO MAKE ARRANGEMENTS FOR PROPER SAFEGUARDS. ANY UTILITY COMPANY FEES SHALL BE PAID FOR BY THE CONTRACTOR.
- THE CONTRACTOR SHALL COMPLY WITH OSHA CFR 29 PART 1926 FOR EXCAVATION TRENCHING AND TRENCH PROTECTION REQUIREMENTS.
- THE ENGINEER IS NOT RESPONSIBLE FOR SITE SAFETY MEASURES TO BE EMPLOYED DURING CONSTRUCTION. THE ENGINEER HAS NO CONTRACTUAL DUTY TO CONTROL THE SAFEST METHODS OR MEANS OF THE WORK, JOB SITE RESPONSIBILITIES, SUPERVISION OF PERSONNEL OR TO SUPERVISE SAFETY AND DO NOT VOLUNTARILY ASSUME ANY SUCH DUTY OR RESPONSIBILITY.
- THE CONTRACTOR SHALL RESTORE ANY DRAINAGE STRUCTURE, PIPE, CONDUIT, PAVEMENT, CURBING, SIDEWALKS, LANDSCAPED AREAS OR SIGNAGE DISTURBED DURING CONSTRUCTION TO THEIR ORIGINAL CONDITION OR BETTER, AS APPROVED BY THE PROJECT DEVELOPER OR TOWN OF COLCHESTER.
- THE CONTRACTOR SHALL PROVIDE AS-BUILT RECORDS OF ALL CONSTRUCTION (INCLUDING UNDERGROUND UTILITIES) TO THE PROJECT DEVELOPER AT THE END OF CONSTRUCTION.
- ALTERNATIVE METHODS AND PRODUCTS, OTHER THAN THOSE SPECIFIED, MAY BE USED IF REVIEWED AND APPROVED BY THE PROJECT DEVELOPER, ENGINEER, AND APPROPRIATE REGULATORY AGENCY PRIOR TO INSTALLATION DURING THE BIDDING/CONSTRUCTION PROCESS.
- INFORMATION ON EXISTING UTILITIES AND STORM DRAINAGE SYSTEMS HAS BEEN COMPILED FROM AVAILABLE INFORMATION INCLUDING UTILITY PROVIDER AND MUNICIPAL RECORD MAPS AND/OR FIELD SURVEY AND IS NOT GUARANTEED CORRECT OR COMPLETE. UTILITIES AND STORM DRAINAGE SYSTEMS ARE SHOWN TO ALERT THE CONTRACTOR TO THEIR PRESENCE AND THE CONTRACTOR IS SOLELY RESPONSIBLE FOR DETERMINING ACTUAL LOCATIONS AND ELEVATIONS OF ALL UTILITIES AND STORM DRAINAGE SYSTEMS INCLUDING SERVICES. PRIOR TO DEMOLITION OR CONSTRUCTION, THE CONTRACTOR SHALL CONTACT 'CALL BEFORE YOU DIG' 72 HOURS BEFORE COMMENCEMENT OF WORK AT '811' AND VERIFY ALL UTILITY AND STORM DRAINAGE SYSTEM LOCATIONS.
- NO CONSTRUCTION OR DEMOLITION SHALL BEGIN UNTIL APPROVAL OF THE FINAL PLANS AND PERMITS ARE GRANTED BY ALL GOVERNING AND REGULATORY AGENCIES.

SITE PLAN NOTES

- THE SURVEY WAS PROVIDED BY MARTIN SURVEYING ASSOCIATES, LLC. DATED 09/06/2022.
- THERE ARE BORDERING VEGETATED WETLANDS (BVW/S) LOCATED ON THE SITE AS INDICATED ON THE PLANS. BVW BOUNDARIES WERE FLAGGED AND LOCATED BY ALL POINTS TECHNOLOGY CORP. IN AUGUST 2022.
- THERE WILL BE MINIMAL GRADING ON SITE IN THE AREAS OF THE MINOR CLEARING, TO ENSURE THAT PROPER DRAINAGE IS MAINTAINED.
- THE CONTRACTOR SHALL FOLLOW THE RECOMMENDED SEQUENCE OF CONSTRUCTION NOTES PROVIDED ON THE EROSION CONTROL PLAN OR SUBMIT AN ALTERNATE PLAN FOR APPROVAL BY THE ENGINEER AND/OR PERMITTING AGENCIES PRIOR TO THE START CONSTRUCTION. ALLOW A MINIMUM OF 14 WORKING DAYS FOR REVIEW.
- PROPER CONSTRUCTION PROCEDURES SHALL BE FOLLOWED ON ALL IMPROVEMENTS WITHIN THIS PARCEL SO AS TO PREVENT THE SILTING OF ANY WATERCOURSE OR BVWS IN ACCORDANCE WITH FEDERAL, STATE, AND LOCAL REGULATIONS. IN ADDITION, THE CONTRACTOR SHALL ADHERE TO THE 'EROSION CONTROL PLAN' CONTAINED HEREIN. THE CONTRACTOR SHALL BE RESPONSIBLE TO POST ALL BONDS AS REQUIRED BY GOVERNMENT AGENCIES WHICH WOULD GUARANTEE THE PROPER IMPLEMENTATION OF THE PLAN.
- ALL SITE WORK, MATERIALS OF CONSTRUCTION, AND CONSTRUCTION METHODS FOR EARTHWORK AND STORM DRAINAGE WORK, SHALL CONFORM TO THE SPECIFICATIONS AND DETAILS AND APPLICABLE SECTIONS OF THE PROJECT SPECIFICATIONS MANUAL. OTHERWISE THIS WORK SHALL CONFORM TO THE STATE OF CONNECTICUT DEPARTMENT OF TRANSPORTATION AND PROJECT GEOTECHNICAL REPORT IF THERE IS NO PROJECT SPECIFICATIONS MANUAL. ALL FILL MATERIAL UNDER STRUCTURES AND PAVED AREAS SHALL BE PER THE ABOVE STATED APPLICABLE SPECIFICATIONS, AND/OR PROJECT GEOTECHNICAL REPORT, AND SHALL BE PLACED IN ACCORDANCE WITH THE APPLICABLE SPECIFICATIONS UNDER THE SUPERVISION OF A QUALIFIED PROFESSIONAL ENGINEER. MATERIAL SHALL BE COMPACTED IN 8" LIFTS TO 95% OF THE MAXIMUM DRY DENSITY AS DETERMINED BY ASTM D 1557 AT 95% PERCENT OF OPTIMUM MOISTURE CONTENT.
- ALL DISTURBANCE INCURRED TO PUBLIC, MUNICIPAL, COUNTY, STATE PROPERTY DUE TO CONSTRUCTION SHALL BE RESTORED TO ITS PREVIOUS CONDITION OR BETTER, TO THE SATISFACTION OF THE TOWN OF COLCHESTER AND THE STATE OF CONNECTICUT.
- SHOULD CONTAMINATED SOIL BE ENCOUNTERED ON THE SITE, SUCH SOIL SHALL BE HANDLED IN ACCORDANCE WITH SECTION 5 OF THE GENERAL PERMIT FOR CONTAMINATED SOIL AND/OR SEDIMENT MANAGEMENT (STAGING AND TRANSFER) THAT WAS ISSUED ON SEPTEMBER 20, 2013 BY CT DEEP, WHICH CAN BE FOUND AT: [HTTPS://PORTAL.CT.GOV/-/MEDIA/DEEP/PERMITS_AND_LICENSES/WASTE_GENERAL_PERMITS/SOILSTAGINGGPPDF.PDF](https://portal.ct.gov/-/media/DEEP/PERMITS_AND_LICENSES/WASTE_GENERAL_PERMITS/SOILSTAGINGGPPDF.PDF). ALTHOUGH THE GENERAL PERMIT IS NOW EXPIRED, CT DEEP HAS INSTRUCTED ALL PARTIES THAT MAY ENCOUNTER CONTAMINATED SOIL ON A JOB SITE TO HANDLE SUCH SOIL IN ACCORDANCE WITH SECTION 5.

UTILITY NOTES

- CONTRACTOR IS RESPONSIBLE FOR CONTACTING THE TOWN OF COLCHESTER TO SECURE CONSTRUCTION PERMITS AND FOR PAYMENT OF FEES FOR STREET CUTS AND CONNECTIONS TO EXISTING UTILITIES.
- REFER TO DRAWINGS BY PROJECT DEVELOPER FOR THE ONSITE ELECTRICAL DRAWINGS AND INTERCONNECTION TO EXISTING ELECTRICAL GRID. SITE CONTRACTOR SHALL SUPPLY AND INSTALL PIPE ADAPTERS AS NECESSARY AT BUILDING CONNECTION POINT OR AT EXISTING UTILITY OR PIPE CONNECTION POINT. THESE DETAILS ARE NOT INCLUDED IN THESE PLANS.
- UTILITY LOCATIONS AND PENETRATIONS ARE SHOWN FOR THE CONTRACTOR'S INFORMATION AND SHALL BE VERIFIED WITH THE ELECTRICAL ENGINEER AND THE PROJECT DEVELOPER'S CONSTRUCTION MANAGER PRIOR TO THE START OF CONSTRUCTION.
- THE CONTRACTOR SHALL VISIT THE SITE AND VERIFY THE ELEVATION AND LOCATION OF ALL UTILITIES BY VARIOUS MEANS PRIOR TO BEGINNING ANY EXCAVATION. TEST PITS SHALL BE DUG AT ALL LOCATIONS WHERE PROP. SANITARY SEWERS AND WHERE PROP. STORM PIPING WILL CROSS EXISTING UTILITIES, AND THE HORIZONTAL AND VERTICAL LOCATIONS OF THE UTILITIES SHALL BE DETERMINED. THE CONTRACTOR SHALL CONTACT THE PROJECT DEVELOPER IN THE EVENT OF ANY DISCOVERED OR UNFORESEEN CONFLICTS BETWEEN EXISTING AND PROPOSED SANITARY SEWERS, STORM PIPING AND UTILITIES SO THAT AN APPROPRIATE MODIFICATION MAY BE MADE.
- UTILITY CONNECTION DESIGN AS REFLECTED ON THE PLAN MAY CHANGE SUBJECT TO UTILITY PROVIDER AND GOVERNING AUTHORITY STAFF REVIEW.
- THE CONTRACTOR SHALL ENSURE THAT ALL UTILITY PROVIDERS AND GOVERNING AUTHORITY STANDARDS FOR MATERIALS AND CONSTRUCTION METHODS ARE MET. THE CONTRACTOR SHALL PERFORM PROPER COORDINATION WITH THE RESPECTIVE UTILITY PROVIDER.
- THE CONTRACTOR SHALL ARRANGE FOR AND COORDINATE WITH THE RESPECTIVE UTILITY PROVIDERS FOR SERVICE INSTALLATIONS AND CONNECTIONS. THE CONTRACTOR SHALL COORDINATE WORK TO BE PERFORMED BY THE VARIOUS UTILITY PROVIDERS AND SHALL PAY ALL FEES FOR CONNECTIONS, DISCONNECTIONS, RELOCATIONS, INSPECTIONS, AND DEMOLITION UNLESS OTHERWISE STATED IN THE PROJECT SPECIFICATIONS MANUAL AND/OR GENERAL CONDITIONS OF THE CONTRACT.
- ALL EXISTING PAVEMENT WHERE UTILITY PIPING IS TO BE INSTALLED SHALL BE SAW CUT. AFTER UTILITY INSTALLATION IS COMPLETED, THE CONTRACTOR SHALL INSTALL TEMPORARY AND/OR PERMANENT PAVEMENT REPAIR AS DETAILED ON THE DRAWINGS OR AS REQUIRED BY THE TOWN OF COLCHESTER.
- ALL PIPES SHALL BE LAID ON STRAIGHT ALIGNMENTS AND EVEN GRADES USING A PIPE LASER OR OTHER ACCURATE METHOD.
- RELOCATION OF UTILITY PROVIDER FACILITIES, SUCH AS POLES, SHALL BE DONE IN ACCORDANCE WITH THE REQUIREMENTS OF THE UTILITY PROVIDER.
- THE CONTRACTOR SHALL COMPACT PIPE BACKFILL IN 8" LIFTS ACCORDING TO THE PIPE BEDDING DETAILS. TRENCH BOTTOM SHALL BE STABLE IN HIGH GROUNDWATER AREAS. A PIPE FOUNDATION SHALL BE USED PER THE TRENCH DETAILS AND IN AREAS OF ROCK EXCAVATION.
- CONTRACTOR TO PROVIDE STEEL SLEEVES AND ANNULAR SPACE SAND FILL FOR UTILITY PIPE AND CONDUIT CONNECTIONS UNDER FOOTINGS.
- ALL UTILITY CONSTRUCTION IS SUBJECT TO INSPECTION FOR APPROVAL PRIOR TO BACKFILLING, IN ACCORDANCE WITH THE APPROPRIATE UTILITY PROVIDER REQUIREMENTS.
- A ONE-FOOT MINIMUM VERTICAL CLEARANCE BETWEEN WATER, GAS, ELECTRICAL, AND TELEPHONE LINES AND STORM PIPING SHALL BE PROVIDED. A SIX-INCH MINIMUM CLEARANCE SHALL BE MAINTAINED BETWEEN STORM PIPING AND SANITARY SEWER. A 6-INCH TO 18-INCH VERTICAL CLEARANCE BETWEEN SANITARY SEWER PIPING AND STORM PIPING SHALL REQUIRE CONCRETE ENCASEMENT OF THE SANITARY PIPING.
- THE CONTRACTOR SHALL RESTORE ANY UTILITY STRUCTURE, PIPE, CONDUIT, PAVEMENT, CURBING, SIDEWALKS, DRAINAGE STRUCTURE, SWALE OR LANDSCAPED AREAS DISTURBED DURING CONSTRUCTION, TO THEIR ORIGINAL CONDITION OR BETTER TO THE SATISFACTION OF THE PROJECT DEVELOPER AND THE TOWN OF COLCHESTER.
- INFORMATION ON EXISTING UTILITIES AND STORM DRAINAGE HAS BEEN COMPILED FROM AVAILABLE INFORMATION INCLUDING UTILITY PROVIDER AND MUNICIPAL RECORD MAPS AND/OR FIELD SURVEY, AND IS NOT GUARANTEED CORRECT OR COMPLETE. UTILITIES AND STORM DRAINAGE ARE SHOWN TO ALERT THE CONTRACTOR TO THEIR PRESENCE. THE CONTRACTOR IS SOLELY RESPONSIBLE FOR DETERMINING ACTUAL LOCATIONS AND ELEVATIONS OF ALL UTILITIES AND STORM DRAINAGE INCLUDING SERVICES. CONTACT 'CALL BEFORE YOU DIG' AT 811 72 HOURS PRIOR TO CONSTRUCTION AND VERIFY ALL UNDERGROUND AND OVERHEAD UTILITY AND STORM DRAINAGE LOCATIONS. THE CONTRACTOR SHALL EMPLOY THE USE OF A UTILITY LOCATING COMPANY TO PROVIDE SUBSURFACE UTILITY ENGINEERING CONSISTING OF DESIGNATING UTILITIES AND STORM PIPING ON PRIVATE PROPERTY WITHIN THE CONTRACT LIMIT AND CONSISTING OF DESIGNATING AND LOCATING WHERE PROP. UTILITIES AND STORM PIPING CROSS EXISTING UTILITIES AND STORM PIPING WITHIN THE CONTRACT LIMITS.
- THE CONTRACTOR SHALL ARRANGE AND COORDINATE WITH UTILITY PROVIDERS FOR WORK TO BE PERFORMED BY UTILITY PROVIDERS. THE CONTRACTOR SHALL PAY ALL UTILITY FEES UNLESS OTHERWISE STATED IN THE PROJECT SPECIFICATION MANUAL AND GENERAL CONDITIONS, AND REPAIR PAVEMENTS AS NECESSARY.
- ELECTRIC DRAWINGS AND REQUIREMENTS ARE NOT INCLUDED AS PART OF THIS DRAWING SET AND SHOULD BE OBTAINED FROM THE PROJECT DEVELOPER.
- ALTERNATIVE METHODS AND PRODUCTS OTHER THAN THOSE SPECIFIED MAY BE USED IF REVIEWED AND APPROVED BY THE PROJECT DEVELOPER, ENGINEER, AND APPROPRIATE REGULATORY AGENCIES PRIOR TO INSTALLATION.
- THE CONTRACTOR SHALL MAINTAIN ALL FLOWS AND UTILITY CONNECTIONS TO EXISTING BUILDINGS WITHOUT INTERRUPTION UNLESS/UNTIL AUTHORIZED TO DISCONNECT BY THE PROJECT DEVELOPER, TOWN OF COLCHESTER, UTILITY PROVIDERS AND GOVERNING AUTHORITIES.

GENERAL LEGEND

	EXISTING	PROPOSED
PROPERTY LINE	— — — — —	
BUILDING SETBACK	- - - - -	
SOLAR SETBACK	. - - - - .	
EASEMENT	—————	
TREE LINE	~ ~ ~ ~ ~	~ ~ ~ ~ ~
WETLAND	— V — V — V —	
WETLAND BUFFER	- - - - -	
VERNAL POOL	—————	
VERNAL POOL BUFFER	- - - - -	
WATERCOURSE	—————	
WATERCOURSE BUFFER	- - - - -	
MAJOR CONTOUR	- - - - -	
MINOR CONTOUR	- - - - -	
UNDERGROUND ELECTRIC		— E — E —
OVERHEAD ELECTRIC		— OH — OH —
GAS LINE		—————
WATER LINE		— W — W —
SOLID FENCE		— G — G — G —
CHAIN LINK FENCE		— X — X — X —
LIMIT OF DISTURBANCE		— LOD —
FILTER SOCK		— FS — FS —
SILT FENCE		— SF — SF —
BAFFLE		— [] — [] — [] —

524 NLR LLC
9 NOVELTY LANE, UNIT 9B
ESSEX, CT 06426



567 VAUXHALL STREET EXTENSION - SUITE 311
WATERFORD, CT 06385 PHONE: (860)-663-1697
WWW.ALLPOINTSTECH.COM FAX: (860)-663-0935

CSC PERMIT SET

NO	DATE	REVISION
0	03/07/23	FOR FILING: KAM
1		
2		
3		
4		
5		
6		

DESIGN PROFESSIONAL OF RECORD

PROF: KEVIN A. MCCAFFERY, P.E.
COMP: ALL-POINTS TECHNOLOGY CORPORATION, P.C.
ADD: 567 VAUXHALL STREET
EXTENSION - SUITE 311
WATERFORD, CT 06385

OWNER: FIVE J, LLC

ADDRESS: 524 NEW LONDON ROAD
COLCHESTER, CT

SCRAPYARD SOLAR

SITE 524 NEW LONDON ROAD
ADDRESS: COLCHESTER, CT

APT FILING NUMBER: CT580160

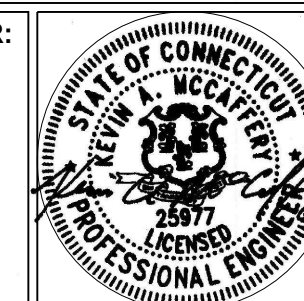
DRAWN BY: JAB
DATE: 03/07/23 CHECKED BY: KAM

SHEET TITLE:

GENERAL NOTES

SHEET NUMBER:

GN-1



ENVIRONMENTAL NOTES - RESOURCES PROTECTION MEASURES

WETLAND PROTECTION PROGRAM

AS A RESULT OF THE PROJECT'S LOCATION IN THE VICINITY OF SENSITIVE WETLAND RESOURCES, THE FOLLOWING PROTECTION PROGRAM SHALL BE IMPLEMENTED BY THE CONTRACTOR TO AVOID UNINTENTIONAL IMPACTS TO PROXIMATE WETLAND RESOURCES DURING CONSTRUCTION ACTIVITIES.

IT IS OF THE UTMOST IMPORTANCE THAT THE CONTRACTOR COMPLIES WITH THE REQUIREMENT FOR THE INSTALLATION OF PROTECTIVE MEASURES AND THE EDUCATION OF ITS EMPLOYEES AND SUBCONTRACTORS PERFORMING WORK ON THE PROJECT SITE. THE WETLAND PROTECTION MEASURES SHALL BE IMPLEMENTED AND MAINTAINED THROUGHOUT THE DURATION OF CONSTRUCTION ACTIVITIES UNTIL PERMANENT STABILIZATION OF SITE SOILS HAS OCCURRED.

ALL-POINTS TECHNOLOGY CORPORATION, P.C. ("APT") WILL SERVE AS THE ENVIRONMENTAL MONITOR FOR THIS PROJECT TO ENSURE THAT THESE PROTECTION MEASURES ARE IMPLEMENTED PROPERLY AND WILL PROVIDE AN EDUCATION SESSION ON THE PROJECT'S PROXIMITY TO SENSITIVE WETLANDS PRIOR TO THE START OF CONSTRUCTION ACTIVITIES. THE CONTRACTOR SHALL CONTACT DEAN GUSTAFSON, SENIOR WETLAND SCIENTIST AT APT, AT LEAST 5 BUSINESS DAYS PRIOR TO THE PRE-CONSTRUCTION MEETING. MR. GUSTAFSON CAN BE REACHED BY PHONE AT (860) 552-2033 OR VIA EMAIL AT DGUSTAFSON@ALLPOINTSTECH.COM.

THIS RESOURCES PROTECTION PROGRAM CONSISTS OF SEVERAL COMPONENTS INCLUDING: EDUCATION OF ALL CONTRACTORS AND SUB-CONTRACTORS PRIOR TO INITIATION OF WORK ON THE SITE; INSTALLATION OF EROSION CONTROLS; PETROLEUM MATERIALS STORAGE AND SPILL PREVENTION; PROTECTIVE MEASURES; RARE SPECIES PROTECTION MEASURES; HERBICIDE, PESTICIDE, AND SALT RESTRICTIONS; AND REPORTING.

1. CONTRACTOR EDUCATION:

- a. PRIOR TO WORK ON SITE AND INITIAL DEPLOYMENT/MOBILIZATION OF EQUIPMENT AND MATERIALS, THE CONTRACTOR SHALL ATTEND AN EDUCATIONAL SESSION AT THE PRE-CONSTRUCTION MEETING WITH APT. THIS ORIENTATION AND EDUCATIONAL SESSION WILL CONSIST OF INFORMATION SUCH AS, BUT NOT LIMITED TO: IDENTIFICATION OF WETLAND RESOURCES PROXIMATE TO WORK AREAS, REPRESENTATIVE PHOTOGRAPHS OF TYPICAL HERPETOFAUNA THAT MAY BE ENCOUNTERED, TYPICAL SPECIES BEHAVIOR, AND PROPER PROCEDURES IF SPECIES ARE ENCOUNTERED, AND THE ENVIRONMENTALLY SENSITIVE NATURE OF THE DEVELOPMENT SITE.
- b. THE CONTRACTORS PROJECT MONITOR WILL BE PROVIDED WITH CELL PHONE AND EMAIL CONTACTS FOR APT PERSONNEL. EDUCATIONAL POSTER MATERIALS WILL BE PROVIDED BY APT AND DISPLAYED ON THE JOB SITE TO MAINTAIN WORKER AWARENESS AS THE PROJECT PROGRESSES.
- c. APT WILL ALSO POST CAUTION SIGNS THROUGHOUT THE PROJECT SITE FOR THE DURATION OF THE CONSTRUCTION PROJECT PROVIDING NOTICE OF THE ENVIRONMENTALLY SENSITIVE NATURE OF THE WORK AREA.

2. EROSION AND SEDIMENTATION CONTROLS/ISOLATION BARRIERS

- a. PLASTIC NETTING USED IN A VARIETY OF EROSION CONTROL PRODUCTS (I.E., EROSION CONTROL BLANKETS, FIBER ROLLS [WATTLES], REINFORCED SILT FENCE) HAS BEEN FOUND TO ENTANGLE WILDLIFE, INCLUDING REPTILES, AMPHIBIANS, BIRDS AND SMALL MAMMALS. NO PERMANENT EROSION CONTROL PRODUCTS OR REINFORCED SILT FENCE WILL BE USED ON THE PROJECT. TEMPORARY EROSION CONTROL PRODUCTS THAT WILL BE EXPOSED AT THE GROUND SURFACE AND REPRESENT A POTENTIAL FOR WILDLIFE ENTANGLEMENT WILL USE EITHER EROSION CONTROL BLANKETS AND FIBER ROLLS COMPOSED OF PROCESSED FIBERS MECHANICALLY BOUND TOGETHER TO FORM A CONTINUOUS MATRIX (NETLESS) OR NETTING COMPOSED OF PLANAR WOVEN NATURAL BIODEGRADABLE FIBER TO AVOID/MINIMIZE WILDLIFE ENTANGLEMENT.
- b. THE EXTENT OF THE EROSION CONTROLS WILL BE AS SHOWN ON THE SITE PLANS. THE CONTRACTOR SHALL HAVE ADDITIONAL SEDIMENTATION AND EROSION CONTROLS STOCKPILED ON SITE SHOULD FIELD OR CONSTRUCTION CONDITIONS WARRANT EXTENDING DEVICES. IN ADDITION TO THE CONTRACTOR MAKING THESE DETERMINATIONS, REQUESTS FOR ADDITIONAL CONTROLS WILL ALSO BE AT THE DISCRETION OF THE ENVIRONMENTAL MONITOR.
- c. THE CONTRACTOR SHALL BE RESPONSIBLE FOR DAILY INSPECTIONS OF THE SEDIMENTATION AND EROSION CONTROLS FOR TEARS OR BREACHES AND ACCUMULATION LEVELS OF SEDIMENT, PARTICULARLY FOLLOWING STORM EVENTS THAT GENERATE A DISCHARGE, AS DEFINED BY AND IN ACCORDANCE WITH APPLICABLE LOCAL, STATE AND FEDERAL REGULATIONS. THE CONTRACTOR SHALL NOTIFY THE APT ENVIRONMENTAL MONITOR WITHIN 24 HOURS OF ANY BREACHES OF THE SEDIMENTATION AND EROSION CONTROLS AND ANY SEDIMENT RELEASES BEYOND THE PERIMETER CONTROLS THAT IMPACT WETLANDS, THE VERNAL POOL, OR AREAS WITHIN 100 FEET OF WETLANDS. THE APT ENVIRONMENTAL MONITOR WILL PROVIDE PERIODIC INSPECTIONS OF THE SEDIMENTATION AND EROSION CONTROLS THROUGHOUT THE DURATION OF CONSTRUCTION ACTIVITIES ONLY AS IT PERTAINS TO THEIR FUNCTION TO PROTECT NEARBY WETLANDS. SUCH INSPECTIONS WILL GENERALLY OCCUR ONCE PER MONTH. THE FREQUENCY OF MONITORING MAY INCREASE DEPENDING UPON SITE CONDITIONS, LEVEL OF CONSTRUCTION ACTIVITIES IN PROXIMITY TO SENSITIVE RECEPTORS, OR AT THE REQUEST OF REGULATORY AGENCIES. IF THE ENVIRONMENTAL MONITOR IS NOTIFIED BY THE CONTRACTOR OF A SEDIMENT RELEASE, AN INSPECTION WILL BE SCHEDULED SPECIFICALLY TO INVESTIGATE AND EVALUATE POSSIBLE IMPACTS TO WETLAND RESOURCES.
- d. THIRD PARTY MONITORING OF SEDIMENTATION AND EROSION CONTROLS WILL BE PERFORMED BY OTHER PARTIES, AS NECESSARY, UNDER APPLICABLE LOCAL, STATE AND/OR FEDERAL REGULATIONS AND PERMIT CONDITIONS.
- e. NO EQUIPMENT, VEHICLES OR CONSTRUCTION MATERIALS SHALL BE STORED WITHIN 100 FEET OF WETLAND RESOURCES.
- f. ALL SILT FENCING AND OTHER EROSION CONTROL DEVICES SHALL BE REMOVED WITHIN 30 DAYS OF COMPLETION OF WORK AND PERMANENT STABILIZATION OF SITE SOILS. IF FIBER ROLLS/WATTLES, STRAW BALES, OR OTHER NATURAL MATERIAL EROSION CONTROL PRODUCTS ARE USED, SUCH DEVICES WILL NOT BE LEFT IN PLACE TO BIODEGRADE AND SHALL BE PROMPTLY REMOVED AFTER SOILS ARE STABLE SO AS NOT TO CREATE A BARRIER TO WILDLIFE MOVEMENT. SEED FROM SEEDING OF SOILS SHOULD NOT SPREAD OVER FIBER ROLLS/WATTLES AS IT MAKES THEM HARDER TO REMOVE ONCE SOILS ARE STABILIZED BY VEGETATION.

3. PETROLEUM MATERIALS STORAGE AND SPILL PREVENTION

- a. CERTAIN PRECAUTIONS ARE NECESSARY TO STORE PETROLEUM MATERIALS, REFUEL AND CONTAIN AND PROPERLY CLEAN UP ANY INADVERTENT FUEL OR PETROLEUM (I.E., OIL, HYDRAULIC FLUID, ETC.) SPILL DUE TO THE PROJECT'S LOCATION IN PROXIMITY TO WETLAND RESOURCES.
- b. A SPILL CONTAINMENT KIT CONSISTING OF A SUFFICIENT SUPPLY OF ABSORBENT PADS AND ABSORBENT MATERIAL WILL BE MAINTAINED BY THE CONTRACTOR AT THE CONSTRUCTION SITE THROUGHOUT THE DURATION OF THE PROJECT. IN ADDITION, A WASTE DRUM WILL BE KEPT ON SITE TO CONTAIN ANY USED ABSORBENT PADS/MATERIAL FOR PROPER AND TIMELY DISPOSAL OFF SITE IN ACCORDANCE WITH APPLICABLE LOCAL, STATE AND FEDERAL LAWS.
- c. SERVICING OF MACHINERY SHALL NOT OCCUR WITHIN 100 FEET OF WETLANDS.
- d. AT A MINIMUM, THE FOLLOWING PETROLEUM AND HAZARDOUS MATERIALS STORAGE AND REFUELING RESTRICTIONS AND SPILL RESPONSE PROCEDURES WILL BE ADHERED TO BY THE CONTRACTOR.

i. PETROLEUM AND HAZARDOUS MATERIALS STORAGE AND REFUELING

- 1. REFUELING OF VEHICLES OR MACHINERY SHALL OCCUR A MINIMUM OF 100 FEET FROM WETLANDS AND SHALL TAKE PLACE ON AN IMPERVIOUS PAD (I.E. COMPACTED GRAVEL ROAD OR PAVED AREA) WITH SECONDARY CONTAINMENT DESIGNED TO CONTAIN FUELS.
- 2. ANY FUEL OR HAZARDOUS MATERIALS THAT MUST BE KEPT ON SITE SHALL BE STORED ON AN IMPERVIOUS SURFACE UTILIZING SECONDARY CONTAINMENT A MINIMUM OF 100 FEET FROM WETLANDS

ii. INITIAL SPILL RESPONSE PROCEDURES

- 1. STOP OPERATIONS AND SHUT OFF EQUIPMENT.
- 2. REMOVE ANY SOURCES OF SPARK OR FLAME.
- 3. CONTAIN THE SOURCE OF THE SPILL.
- 4. DETERMINE THE APPROXIMATE VOLUME OF THE SPILL.
- 5. IDENTIFY THE LOCATION OF NATURAL FLOW PATHS TO PREVENT THE RELEASE OF THE SPILL TO SENSITIVE NEARBY WETLANDS AND VERNAL POOL.
- 6. ENSURE THAT FELLOW WORKERS ARE NOTIFIED OF THE SPILL.

iii. SPILL CLEAN UP & CONTAINMENT

- 1. OBTAIN SPILL RESPONSE MATERIALS FROM THE ON-SITE SPILL RESPONSE KIT. PLACE ABSORBENT MATERIALS DIRECTLY ON THE RELEASE AREA.
- 2. LIMIT THE SPREAD OF THE SPILL BY PLACING ABSORBENT MATERIALS AROUND THE PERIMETER OF THE SPILL.
- 3. ISOLATE AND ELIMINATE THE SPILL SOURCE.
- 4. CONTACT APPROPRIATE LOCAL, STATE AND/OR FEDERAL AGENCIES, AS NECESSARY.
- 5. CONTACT A DISPOSAL COMPANY TO PROPERLY DISPOSE OF CONTAMINATED MATERIALS.

iv. REPORTING

- 1. OBTAIN SPILL RESPONSE MATERIALS FROM THE ON-SITE SPILL RESPONSE KIT. PLACE ABSORBENT MATERIALS DIRECTLY ON THE RELEASE AREA.
- 2. LIMIT THE SPREAD OF THE SPILL BY PLACING ABSORBENT MATERIALS AROUND THE PERIMETER OF THE SPILL.

4. HERBICIDE, PESTICIDE, AND SALT RESTRICTIONS

- a. THE USE OF HERBICIDES AND PESTICIDES AT THE FACILITY SHALL BE MINIMIZED. IF HERBICIDES AND/OR PESTICIDES ARE REQUIRED AT THE FACILITY, THEIR USE WILL BE USED IN ACCORDANCE WITH CURRENT INTEGRATED PEST MANAGEMENT ("IPM") PRINCIPLES WITH PARTICULAR ATTENTION TO AVOID/MINIMIZE APPLICATIONS WITHIN 100 FEET OF WETLAND AND VERNAL POOL RESOURCES.
- b. MAINTENANCE OF THE FACILITY DURING THE WINTER MONTHS SHALL NOT INCLUDE THE APPLICATION OF SALT OR SIMILAR PRODUCTS FOR MELTING SNOW OR ICE.

5. REPORTING

- a. COMPLIANCE MONITORING REPORTS (BRIEF NARRATIVE AND APPLICABLE PHOTOS) DOCUMENTING EACH APT INSPECTION WILL BE SUBMITTED BY APT TO THE PERMITTEE AND ITS CONTRACTOR FOR COMPLIANCE VERIFICATION OF THESE PROTECTION MEASURES. THESE REPORTS ARE NOT TO BE USED TO DOCUMENT COMPLIANCE WITH ANY OTHER PERMIT AGENCY APPROVAL CONDITIONS (I.E., DEEP STORMWATER PERMIT MONITORING, ETC.). ANY NON-COMPLIANCE OBSERVATIONS OF EROSION CONTROL MEASURES OR EVIDENCE OF EROSION OR SEDIMENT RELEASE WILL BE IMMEDIATELY REPORTED TO THE PERMITTEE AND ITS CONTRACTOR AND INCLUDED IN THE REPORTS.
- b. FOLLOWING COMPLETION OF THE CONSTRUCTION PROJECT, APT WILL PROVIDE A FINAL COMPLIANCE MONITORING REPORT TO THE PERMITTEE DOCUMENTING IMPLEMENTATION OF THE WETLAND PROTECTION PROGRAM AND MONITORING OBSERVATIONS. THE PERMITTEE IS RESPONSIBLE FOR PROVIDING A COPY OF THE FINAL COMPLIANCE MONITORING REPORT TO THE CONNECTICUT SITING COUNCIL FOR COMPLIANCE VERIFICATION.

524 NLR LLC

9 NOVELTY LANE, UNIT 9B
ESSEX, CT 06426



567 VAUXHALL STREET EXTENSION - SUITE 311
WATERFORD, CT 06385 PHONE: (860)-663-1697
WWW.ALLPOINTSTECH.COM FAX: (860)-663-0935

CSC PERMIT SET

NO	DATE	REVISION
0	03/07/23	FOR FILING: KAM
1		
2		
3		
4		
5		
6		

DESIGN PROFESSIONAL OF RECORD

PROF: KEVIN A. MCCAFFERY, P.E.
COMP: ALL-POINTS TECHNOLOGY CORPORATION, P.C.
ADD: 567 VAUXHALL STREET EXTENSION - SUITE 311 WATERFORD, CT 06385

OWNER: FIVE J, LLC

ADDRESS: 524 NEW LONDON ROAD COLCHESTER, CT

SCRAPYARD SOLAR

SITE: 524 NEW LONDON ROAD
ADDRESS: COLCHESTER, CT

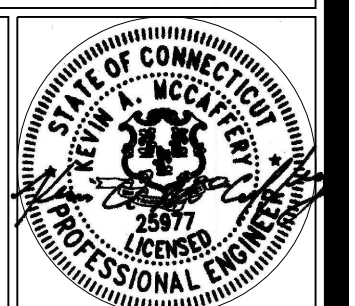
APT FILING NUMBER: CT580160

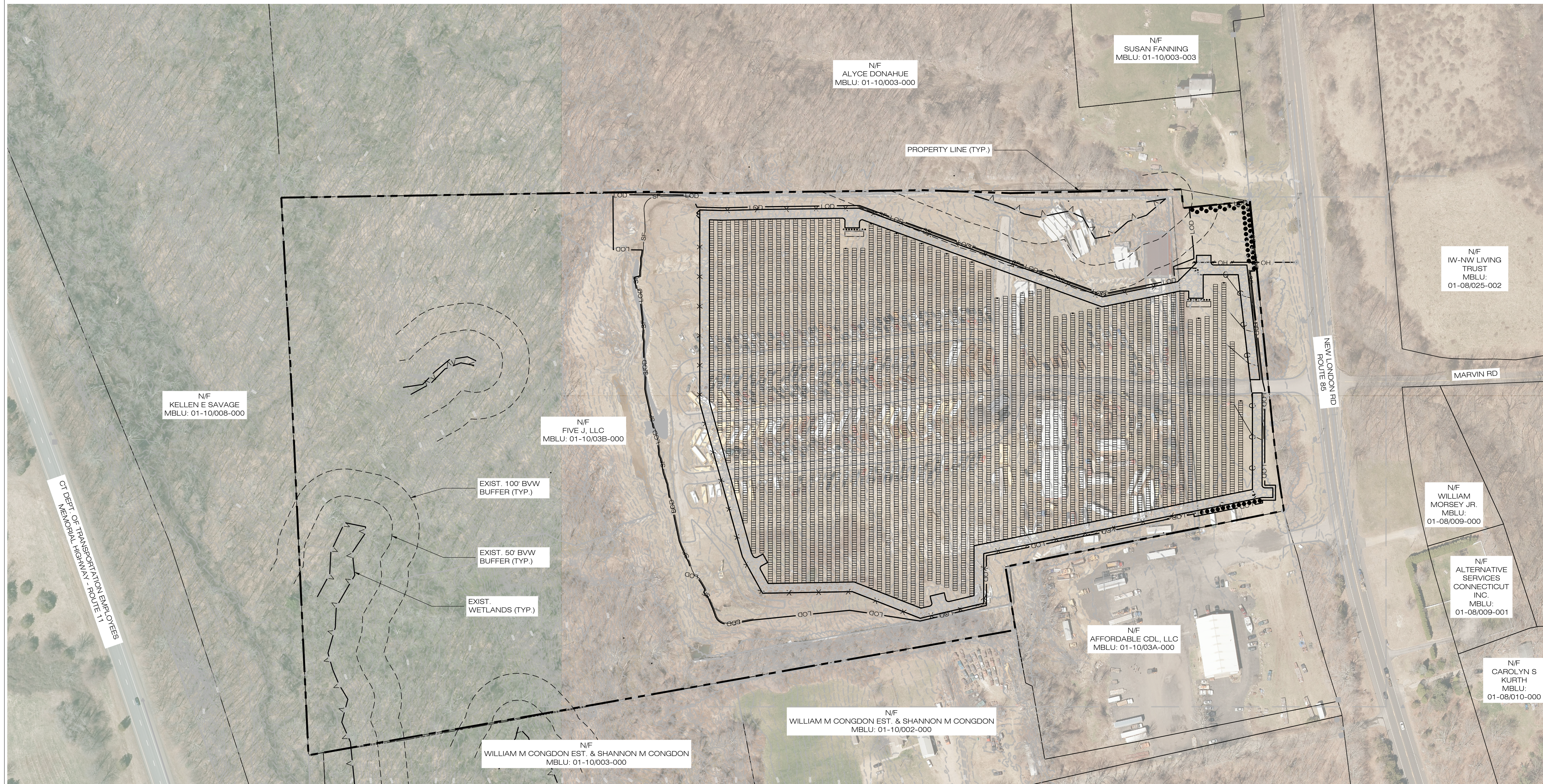
DATE: 03/07/23
DRAWN BY: JAB
CHECKED BY: KAM

SHEET TITLE:
ENVIRONMENTAL NOTES

SHEET NUMBER:

GN-2





524 NLR LLC
9 NOVELTY LANE, UNIT 9B
ESSEX, CT 06426

ALL-POINTS
 TECHNOLOGY CORPORATION
 567 VAUXHALL STREET EXTENSION - SUITE 311
 WATERFORD, CT 06385 PHONE: (860)-663-1697
 WWW.ALLPOINTSTECH.COM FAX: (860)-663-0935

CSC PERMIT SET

NO	DATE	REVISION
0	03/07/23	FOR FILING: KAM
1		
2		
3		
4		
5		
6		

DESIGN PROFESSIONAL OF RECORD
 PROF: KEVIN A. MCCAFFERY, P.E.
 COMP: ALL-POINTS TECHNOLOGY CORPORATION, P.C.
 ADD: 567 VAUXHALL STREET EXTENSION - SUITE 311 WATERFORD, CT 06385
 OWNER: FIVE J, LLC
 ADDRESS: 524 NEW LONDON ROAD COLCHESTER, CT

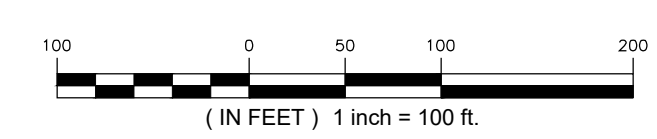
SCRAPYARD SOLAR
 SITE ADDRESS: 524 NEW LONDON ROAD COLCHESTER, CT
 APT FILING NUMBER: CT580160
 DATE: 03/07/23
 DRAWN BY: JAB
 CHECKED BY: KAM

SHEET TITLE:
OVERALL LOCUS MAP

SHEET NUMBER:
OP-1



1 OVERALL LOCUS MAP
 OP-1 SCALE: 1" = 100'-0"



EROSION CONTROL NOTES

EROSION AND SEDIMENT CONTROL PLAN NOTES

- THE CONTRACTOR SHALL CONSTRUCT ALL SEDIMENT AND EROSION CONTROLS IN ACCORDANCE WITH THE 2002 CONNECTICUT GUIDELINES FOR SOIL EROSION AND SEDIMENT CONTROL, LATEST EDITION, IN ACCORDANCE WITH THE CONTRACT DOCUMENTS, AND AS DIRECTED BY THE TOWN OF COLCHESTER, PERMITTEE, AND/OR SWPCP MONITOR. ALL PERIMETER SEDIMENTATION AND EROSION CONTROL MEASURES SHALL BE INSTALLED PRIOR TO THE START OF CLEARING AND GRUBBING AND DEMOLITION OPERATIONS.
- THESE DRAWINGS ARE ONLY INTENDED TO DESCRIBE THE SEDIMENT AND EROSION CONTROL MEASURES FOR THIS SITE. SEE CONSTRUCTION SEQUENCE FOR ADDITIONAL INFORMATION. ALL TEMPORARY EROSION AND SEDIMENT CONTROL MEASURES SHOWN ON THE EROSION & SEDIMENT CONTROL PLAN ARE SHOWN AS REQUIRED BY THE ENGINEER. THE CONTRACTOR SHALL BE RESPONSIBLE FOR ENSURING THAT ALL EROSION CONTROL MEASURES ARE CONFIGURED AND CONSTRUCTED IN A MANNER THAT WILL MINIMIZE EROSION OF SOILS AND PREVENT THE TRANSPORT OF SEDIMENTS AND OTHER POLLUTANTS TO STORM DRAINAGE SYSTEMS AND/OR WATERCOURSES. ACTUAL SITE CONDITIONS OR SEASONAL AND CLIMATIC CONDITIONS MAY WARRANT ADDITIONAL CONTROLS OR CONFIGURATIONS, AS REQUIRED, AND AS DIRECTED BY THE PERMITTEE AND/OR SWPCP MONITOR. REFER TO SITE PLAN FOR GENERAL INFORMATION AND OTHER CONTRACT PLANS FOR APPROPRIATE INFORMATION.
- A BOND OR LETTER OF CREDIT MAY BE REQUIRED TO BE POSTED WITH THE GOVERNING AUTHORITY FOR THE EROSION CONTROL INSTALLATION AND MAINTENANCE.
- THE CONTRACTOR SHALL APPLY THE MINIMUM EROSION & SEDIMENT CONTROL MEASURES SHOWN ON THE PLAN IN CONJUNCTION WITH CONSTRUCTION SEQUENCING, SUCH THAT ALL ACTIVE WORK ZONES ARE PROTECTED. ADDITIONAL AND/OR ALTERNATIVE SEDIMENT AND EROSION CONTROL MEASURES MAY BE INSTALLED DURING THE CONSTRUCTION PERIOD IF FOUND NECESSARY BY THE CONTRACTOR, OWNER, SITE ENGINEER, MUNICIPAL OFFICIALS, OR ANY GOVERNING AGENCY. THE CONTRACTOR SHALL CONTACT THE OWNER AND APPROPRIATE GOVERNING AGENCIES FOR APPROVAL IF ALTERNATIVE CONTROLS OTHER THAN THOSE SHOWN ON THE PLANS ARE PROPOSED BY THE CONTRACTOR.
- THE CONTRACTOR SHALL TAKE EXTREME CARE DURING CONSTRUCTION SO AS NOT TO DISTURB UNPROTECTED WETLAND AREAS OR INSTALLED SEDIMENTATION AND EROSION CONTROL MEASURES. THE CONTRACTOR SHALL INSPECT ALL SEDIMENT AND EROSION CONTROLS WEEKLY AND WITHIN 24 HOURS OF A STORM WITH A RAINFALL AMOUNT OF 0.25 INCHES OR GREATER TO VERIFY THAT THE CONTROLS ARE OPERATING PROPERLY AND MAKE REPAIRS AS NECESSARY IN A TIMELY MANNER.
- THE CONTRACTOR SHALL KEEP A SUPPLY OF EROSION CONTROL MATERIAL (SILT FENCE, COMPOST FILTER SOCK, EROSION CONTROL BLANKET, ETC.) ON-SITE FOR PERIODIC MAINTENANCE AND EMERGENCY REPAIRS.
- ALL FILL MATERIAL PLACED ADJACENT TO ANY WETLAND AREA SHALL BE GOOD QUALITY, WITH LESS THAN 5% FINES PASSING THROUGH A #200 SIEVE (BANK RUN), SHALL BE PLACED IN MAXIMUM ONE FOOT LIFTS, AND SHALL BE COMPACTED TO 95% MAX. DRY DENSITY MODIFIED PROCTOR OR AS SPECIFIED IN THE CONTRACT SPECIFICATIONS.
- PROTECT EXISTING TREES THAT ARE TO BE SAVED BY FENCING, ORANGE SAFETY FENCE, CONSTRUCTION TAPE, OR EQUIVALENT FENCING/TAPE. ANY LIMB TRIMMING SHOULD BE DONE AFTER CONSULTATION WITH AN ARBORIST AND BEFORE CONSTRUCTION BEGINS IN THAT AREA. FENCING SHALL BE MAINTAINED AND REPAIRED DURING CONSTRUCTION.
- CONSTRUCTION ENTRANCES (ANTI-TRACKING PADS) SHALL BE INSTALLED PRIOR TO ANY SITE EXCAVATION OR CONSTRUCTION ACTIVITY AND SHALL BE MAINTAINED THROUGHOUT THE DURATION OF ALL CONSTRUCTION IF REQUIRED. THE LOCATION OF THE TRACKING PADS MAY CHANGE AS VARIOUS PHASES OF CONSTRUCTION ARE COMPLETED. CONTRACTOR SHALL ENSURE THAT ALL VEHICLES EXITING THE SITE ARE PASSING OVER THE ANTI-TRACKING PADS PRIOR TO EXITING.
- ALL CONSTRUCTION SHALL BE CONTAINED WITHIN THE LIMIT OF DISTURBANCE, WHICH SHALL BE MARKED WITH SILT FENCE, SAFETY FENCE, STRAW BALES, RIBBONS, OR OTHER MEANS PRIOR TO CLEARING. CONSTRUCTION ACTIVITY SHALL REMAIN ON THE UPHILL SIDE OF THE SEDIMENT BARRIER UNLESS WORK IS SPECIFICALLY CALLED FOR ON THE DOWNHILL SIDE OF THE BARRIER.
- NO CUT OR FILL SLOPES SHALL EXCEED 2:1 EXCEPT WHERE STABILIZED BY ROCK FACED EMBANKMENTS OR EROSION CONTROL BLANKETS. ALL SLOPES SHALL BE SEEDED AND BANKS WILL BE STABILIZED IMMEDIATELY UPON COMPLETION OF FINAL GRADING UNTIL TURF IS ESTABLISHED.
- DIRECT ALL DEWATERING PUMP DISCHARGE TO A SEDIMENT CONTROL DEVICE CONFORMING TO THE GUIDELINES WITHIN THE APPROVED LIMIT OF DISTURBANCE IF REQUIRED. DISCHARGE TO STORM DRAINS OR SURFACE WATERS FROM SEDIMENT CONTROLS SHALL BE CLEAR AND APPROVED BY THE PERMITTEE OR MUNICIPALITY.
- THE CONTRACTOR SHALL MAINTAIN A CLEAN CONSTRUCTION SITE AND SHALL NOT ALLOW THE ACCUMULATION OF RUBBISH OR CONSTRUCTION DEBRIS ON THE SITE. PROPER SANITARY DEVICES SHALL BE MAINTAINED ON-SITE AT ALL TIMES AND SECURED APPROPRIATELY. THE CONTRACTOR SHALL TAKE ALL NECESSARY PRECAUTIONS TO AVOID THE SPILLAGE OF FUEL OR OTHER POLLUTANTS ON THE CONSTRUCTION SITE AND SHALL ADHERE TO ALL APPLICABLE POLICIES AND REGULATIONS RELATED TO SPILL PREVENTION AND RESPONSE/CONTAINMENT.
- MINIMIZE LAND DISTURBANCES. SEED AND MULCH DISTURBED AREAS WITH TEMPORARY MIX AS SOON AS PRACTICABLE (2 WEEK MAXIMUM UNSTABILIZED PERIOD) USING PERENNIAL RYEGRASS AT 40 LBS PER ACRE. MULCH ALL CUT AND FILL SLOPES AND SWALES WITH LOOSE STRAW AT A RATE OF 2 TONS PER ACRE. IF NECESSARY, REPLACE LOOSE STRAW ON SLOPES WITH EROSION CONTROL BLANKETS OR JUTE CLOTH. MODERATELY GRADED AREAS, ISLANDS, AND TEMPORARY CONSTRUCTION STAGING AREAS MAY BE HYDROSEEDING WITH TACKIFIER.
- SWEEP AFFECTED PORTIONS OF OFF SITE ROADS ONE OR MORE TIMES A DAY (OR LESS FREQUENTLY IF TRACKING IS NOT A PROBLEM) DURING CONSTRUCTION. FOR DUST CONTROL, PERIODICALLY MOISTEN EXPOSED SOIL SURFACES WITH WATER ON UNPAVED TRAVELWAYS TO KEEP THE TRAVELWAYS DAMP. CALCIUM CHLORIDE MAY ALSO BE APPLIED TO ACCESS ROADS. DUMP TRUCK LOADS EXITING THE SITE SHALL BE COVERED.
- VEGETATIVE ESTABLISHMENT SHALL OCCUR ON ALL DISTURBED SOIL, UNLESS THE AREA IS UNDER ACTIVE CONSTRUCTION, IT IS COVERED IN STONE OR SCHEDULED FOR PAVING WITHIN 30 DAYS. TEMPORARY SEEDING OR NON-LIVING SOIL PROTECTION OF ALL EXPOSED SOILS AND SLOPES SHALL BE INITIATED WITHIN THE FIRST 7 DAYS OF SUSPENDING WORK IN AREAS TO BE LEFT LONGER THAN 30 DAYS.
- MAINTAIN ALL PERMANENT AND TEMPORARY SEDIMENT CONTROL DEVICES IN EFFECTIVE CONDITION THROUGHOUT THE CONSTRUCTION PERIOD. UPON COMPLETION OF WORK SWEEP CONCRETE PADS, CLEAN THE STORMWATER MANAGEMENT SYSTEMS AND REMOVE ALL TEMPORARY SEDIMENT CONTROLS ONCE THE SITE IS FULLY STABILIZED AND APPROVAL HAS BEEN RECEIVED FROM PERMITTEE OR THE MUNICIPALITY.
- THE SITE WAS DESIGNED TO COMPLY WITH FEDERAL, STATE, AND, IF APPLICABLE, LOCAL STANDARDS, PLUS CURRENT ACCEPTED PRACTICES FOR THE INDUSTRY. ADDITIONAL CONTROLS AND ACTIVITIES MAY BE DEEMED NECESSARY BY THE SWPCP MONITOR DURING CONSTRUCTION AS A RESULT OF UNFORESEEN CONDITIONS AND/OR MEANS AND METHODS. SUCH ITEMS MAY INCLUDE, BUT ARE NOT LIMITED TO: ADDITIONAL FOREBAYS, BASINS, OR UPSTREAM STRUCTURAL CONTROLS, THE USE OF FLOCCULANTS OR FLOCK LOGS TO DECREASE SEDIMENT, DISCHARGE MANAGEMENT SUCH AS ADDITIONAL ARMORING AND FILTERING MEASURES (I.E. STRAW BALES, WATTLERS, ETC.), AND HYDROSEEDING WITH RAPIDLY GERMINATING SEED.
- SEEDING MIXTURES SHALL BE AS SPECIFIED ON THE PLAN VIEW AND DETAIL SHEETS.

CONSTRUCTION OPERATION AND MAINTENANCE PLAN - BY CONTRACTOR		
E&S MEASURE	INSPECTION SCHEDULE	MAINTENANCE REQUIRED
CONSTRUCTION ENTRANCE	DAILY	PLACE ADDITIONAL STONE, EXTEND THE LENGTH OR REMOVE AND REPLACE THE STONE. CLEAN PAVED SURFACES OF TRACKED SEDIMENT.
COMPOST FILTER SOCK	WEEKLY & WITHIN 24 HOURS OF RAINFALL > 0.25"	REPAIR/REPLACE WHEN FAILURE OR DETERIORATION IS OBSERVED.
SILT FENCE	WEEKLY & WITHIN 24 HOURS OF RAINFALL > 0.25"	REPAIR/REPLACE WHEN FAILURE OR DETERIORATION IS OBSERVED. REMOVE SILT WHEN IT REACHES 1/2 THE HEIGHT OF THE FENCE.
TOPSOIL/BORROW STOCKPILES	DAILY	REPAIR/REPLACE SEDIMENT BARRIERS AS NECESSARY.
TEMPORARY SEDIMENT BASIN (W/ BAFFLES)	WEEKLY & WITHIN 24 HOURS OF RAINFALL > 0.5"	REMOVE SEDIMENT ONCE IT HAS ACCUMULATED TO ONE HALF OF MINIMUM REQUIRED VOLUME OF THE WET STORAGE, DEWATERING AS NEEDED. RESTORE TRAP TO ORIGINAL DIMENSIONS. REPAIR/REPLACE BAFFLES WHEN FAILURE OR DETERIORATION IS OBSERVED.
TEMPORARY SEDIMENT TRAP (W/ BAFFLES)	WEEKLY & WITHIN 24 HOURS OF RAINFALL > 0.5"	REMOVE SEDIMENT ONCE IT HAS ACCUMULATED TO ONE HALF OF MINIMUM REQUIRED VOLUME OF THE WET STORAGE, DEWATERING AS NEEDED. RESTORE TRAP TO ORIGINAL DIMENSIONS. REPAIR/REPLACE BAFFLES WHEN FAILURE OR DETERIORATION IS OBSERVED.
TEMPORARY SOIL PROTECTION	WEEKLY & WITHIN 24 HOURS OF RAINFALL > 0.25"	REPAIR ERODED OR BARE AREAS IMMEDIATELY. RESEED AND MULCH.

SEDIMENT & EROSION CONTROL NARRATIVE

- THE PROJECT INVOLVES THE CONSTRUCTION OF A GROUND MOUNTED SOLAR PANEL FACILITY WITH ASSOCIATED EQUIPMENT, INCLUDING THE CLEARING, GRUBBING AND GRADING OF APPROXIMATELY 16.49± ACRES OF EXISTING LOT.

THE PROPOSED PROJECT INVOLVES THE FOLLOWING CONSTRUCTION:

- CLEARING AND GRUBBING WHERE NECESSARY.
 - REMOVAL OF EXISTING ACCESS ROAD AND MATERIAL STOCKPILES AND GRADING OF EXISTING LOT.
 - CONSTRUCTION OF 7,655 GROUND MOUNTED SOLAR PANELS AND ASSOCIATED EQUIPMENT.
 - THE STABILIZATION OF DISTURBED AREAS WITH PERMANENT VEGETATIVE TREATMENTS.
- FOR THIS PROJECT, THERE ARE APPROXIMATELY 16.49± ACRE OF THE SITE BEING DISTURBED WITH A NET DECREASE OF IMPERVIOUS AREA ON THE SITE. PROPOSED IMPERVIOUS AREAS CONSIST OF CONCRETE PADS FOR ELECTRICAL EQUIPMENT AND COMPACTED GRAVEL ACCESS ROADS.
 - THE PROJECT SITE, AS MAPPED IN THE SOIL SURVEY OF STATE OF CONNECTICUT (NRCS, VERSION 18, DEC 6, 2018), CONTAINS TYPE 60B AND 72C (HYDROLOGIC SOIL GROUP B), 50B AND 52C (HYDROLOGIC SOIL GROUP B/D), 45A AND 45B (HYDROLOGIC SOIL GROUP C/D) AND 2 AND 3 (HYDROLOGIC SOIL GROUP D) SOILS. A GEOTECHNICAL ENGINEERING REPORT HAS BEEN COMPLETED DATED 25 OCTOBER 2022.
 - IT IS ANTICIPATED THAT ARRAY CONSTRUCTION WILL BE COMPLETED IN APPROXIMATELY 4-6 MONTHS. IT IS ANTICIPATED THAT A PRELIMINARY PHASE OF SITE WORK WILL OCCUR PRIOR TO ARRAY CONSTRUCTION, TO RE-GRADE AND STABILIZE THE SITE, WHICH WILL BE COMPLETED IN APPROXIMATELY 2-3 MONTHS.
 - REFER TO THE CONSTRUCTION SEQUENCING AND EROSION AND SEDIMENTATION NOTES FOR INFORMATION REGARDING SEQUENCING OF MAJOR OPERATIONS IN THE ON-SITE CONSTRUCTION PHASES.
 - STORMWATER MANAGEMENT DESIGN CRITERIA UTILIZES THE APPLICABLE SECTIONS OF THE 2004 CONNECTICUT STORMWATER QUALITY MANUAL AND THE TOWN OF COLCHESTER STANDARDS, TO THE EXTENT POSSIBLE AND PRACTICABLE FOR THIS PROJECT ON THIS SITE. EROSION AND SEDIMENTATION MEASURES ARE BASED UPON ENGINEERING PRACTICE, JUDGEMENT AND THE APPLICABLE SECTIONS OF THE CONNECTICUT EROSION AND SEDIMENT CONTROL GUIDELINES FOR URBAN AND SUBURBAN AREAS, LATEST EDITION.
 - DETAILS FOR THE TYPICAL STORMWATER MANAGEMENT AND EROSION AND SEDIMENTATION MEASURES ARE SHOWN ON THE PLAN SHEETS OR PROVIDED AS SEPARATE SUPPORT DOCUMENTATION FOR REVIEW IN THIS PLAN.
 - CONSERVATION PRACTICES TO BE USED DURING CONSTRUCTION:
 - STAGED CONSTRUCTION;
 - MINIMIZE THE DISTURBED AREAS TO THE EXTENT PRACTICABLE DURING CONSTRUCTION;
 - STABILIZE DISTURBED AREAS WITH TEMPORARY OR PERMANENT MEASURES AS SOON AS POSSIBLE, BUT NO LATER THAN 7-DAYS FOLLOWING DISTURBANCE;
 - MINIMIZE IMPERVIOUS AREAS;
 - UTILIZE APPROPRIATE CONSTRUCTION EROSION AND SEDIMENTATION MEASURES.
 - THE FOLLOWING SEPARATE DOCUMENTS ARE TO BE CONSIDERED A PART OF THE EROSION AND SEDIMENTATION PLAN:
 - STORMWATER MANAGEMENT REPORT DATED FEBRUARY 2023.
 - SWPCP, TO BE ISSUED.

SUGGESTED CONSTRUCTION SEQUENCE

THE FOLLOWING SUGGESTED SEQUENCE OF CONSTRUCTION ACTIVITIES IS PROJECTED BASED UPON ENGINEERING JUDGEMENT AND BEST MANAGEMENT PRACTICES. THE CONTRACTOR MAY ELECT TO ALTER THE SEQUENCING TO BEST MEET THE CONSTRUCTION SCHEDULE, THE EXISTING SITE ACTIVITIES AND WEATHER CONDITIONS. SHOULD THE CONTRACTOR ALTER THE CONSTRUCTION SEQUENCE OR ANY EROSION AND SEDIMENTATION CONTROL MEASURES THEY SHALL MODIFY THE STORMWATER POLLUTION CONTROL PLAN ("SWPCP") AS REQUIRED BY THE GENERAL PERMIT. MAJOR CHANGES IN SEQUENCING AND/OR METHODS MAY REQUIRE REGULATORY APPROVAL PRIOR TO IMPLEMENTATION.

- THE CONTRACTOR SHALL SCHEDULE A PRE-CONSTRUCTION MEETING. PHYSICALLY FLAG THE LIMITS OF DISTURBANCE IN THE FIELD AS NECESSARY TO FACILITATE THE PRE-CONSTRUCTION MEETING.
- CONDUCT A PRE-CONSTRUCTION MEETING TO DISCUSS THE PROPOSED WORK AND EROSION AND SEDIMENTATION CONTROL MEASURES. THE MEETING SHOULD BE ATTENDED BY THE OWNER, THE OWNERS REPRESENTATIVE(S), THE GENERAL CONTRACTOR, DESIGNATED SUB-CONTRACTORS AND THE PERSON, OR PERSONS, RESPONSIBLE FOR THE IMPLEMENTATION, OPERATION, MONITORING AND MAINTENANCE OF THE EROSION AND SEDIMENTATION MEASURES. THE CONSTRUCTION PROCEDURES FOR THE ENTIRE PROJECT SHALL BE REVIEWED AT THIS MEETING.
- NOTIFY CALL BEFORE YOU DIG AT 811, AS REQUIRED, PRIOR TO THE START OF CONSTRUCTION.

PHASE 1

- REMOVE EXISTING IMPEDIMENTS AS NECESSARY AND PROVIDE MINIMAL CLEARING AND GRUBBING TO INSTALL THE REQUIRED CONSTRUCTION ENTRANCES.
- CLEAR ONLY AS NEEDED TO INSTALL THE PERIMETER EROSION AND SEDIMENTATION CONTROL MEASURES AND, IF APPLICABLE, TREE PROTECTION. ALL WETLAND AREAS SHALL BE PROTECTED BEFORE MAJOR CONSTRUCTION BEGINS.
- INSTALL PERIMETER EROSION CONTROL.
- INSTALL TEMPORARY SEDIMENT TRAPS 1-4 (TST-1, TST-2, TST-3 & TST-4), AND ASSOCIATED OVERFLOW WEIRS, STOCKPILE AREAS AND SEDIMENT TRAP BAFFLES. UPON COMPLETION OF THE INSTALLATION AND STABILIZATION OF THE SEDIMENT TRAPS AND SWALES, PHASE 2 WORK UP GRADIENT CAN PROCEED.

PHASE 2

- UPON COMPLETION OF THE INSTALLATION OF EACH OF THE TEMPORARY SEDIMENT BASINS, THE AREA ABOVE THE BASIN CAN HAVE THE REMAINING ARRAY AREA CLEARING AND GRUBBING COMPLETED AS REQUIRED. REMOVE CUT WOOD AND STOCKPILE FOR FUTURE USE OR REMOVE OFF-SITE. REMOVE AND DISPOSE OF DEMOLITION DEBRIS OFF-SITE IN ACCORDANCE WITH APPLICABLE LAWS.
- INSTALL NEW ACCESS ROADS IF SITE CONDITIONS ALLOW.
- TEMPORARILY SEED DISTURBED AREAS NOT UNDER CONSTRUCTION FOR THIRTY (30) DAYS OR MORE.
- FINISH GRADE AREA WITHIN ARRAY FOOTPRINT, PROVIDE SOIL AMENDMENT AND SEEDING MIX AS DETAILED IN PLANS AND DETAILS, INSTALL INTERIOR FILTER SOCK.
- INSTALL ELECTRICAL CONDUIT AND EQUIPMENT PADS.
- REMOVE INTERIOR COMPOST FILTER SOCKS WITH APPROVAL OF SWPCP MONITOR AND CONSERVATION DISTRICT.

- INSTALL RACKING POSTS FOR GROUND MOUNTED SOLAR PANELS.

- INSTALL GROUND MOUNTED SOLAR PANELS AND COMPLETE ELECTRICAL INSTALLATION.

- AFTER SUBSTANTIAL COMPLETION OF THE INSTALLATION OF THE SOLAR PANELS, COMPLETE REMAINING SITE WORK, INCLUDING ANY REQUIRED LANDSCAPE SCREENING, AND STABILIZE ALL DISTURBED AREAS.

- FINE GRADE, RAKE, SEED AND MULCH ALL REMAINING DISTURBED AREAS.

FINAL GRADING & DRAINAGE PLAN

- AFTER THE SITE IS STABILIZED AND WITH THE APPROVAL OF THE PERMITTEE AND CONSERVATION DISTRICT AGENT, REMOVE TEMPORARY SEDIMENT TRAPS 1-4 (TST-1, TST-2, TST-3 & TST-4), AS WELL AS ASSOCIATED OVERFLOW WEIRS, SEDIMENT TRAP BAFFLES AND ANY PERIMETER EROSION AND SEDIMENTATION CONTROLS. ANY AREAS DISTURBED DURING CLEAN UP SHALL BE PERMANENTLY SEEDED.
- THE SITE SHALL BE MONITORED ONCE A MONTH FOR TWO FULL GROWING SEASONS (APRIL - OCTOBER).
- ISSUE NOTICE OF TERMINATION UPON COMPLETION OF MONITORING REQUIRED PER APPENDIX I.

524 NLR LLC

9 NOVELTY LANE, UNIT 9B
ESSEX, CT 06426



567 VAUXHALL STREET EXTENSION - SUITE 311
WATERFORD, CT 06385 PHONE: (860)-663-1697
WWW.ALLPOINTS TECH.COM FAX: (860)-663-0935

CSC PERMIT SET

NO	DATE	REVISION
0	03/07/23	FOR FILING: KAM
1		
2		
3		
4		
5		
6		

DESIGN PROFESSIONAL OF RECORD

PROF: KEVIN A. MCCAFFERY, P.E.
COMP: ALL-POINTS TECHNOLOGY CORPORATION, P.C.
ADD: 567 VAUXHALL STREET EXTENSION - SUITE 311 WATERFORD, CT 06385

OWNER: FIVE J, LLC

ADDRESS: 524 NEW LONDON ROAD COLCHESTER, CT

SCRAPYARD SOLAR

SITE ADDRESS: 524 NEW LONDON ROAD COLCHESTER, CT

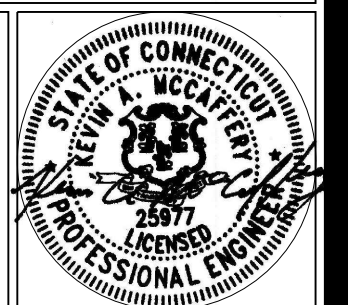
APT FILING NUMBER: CT580160

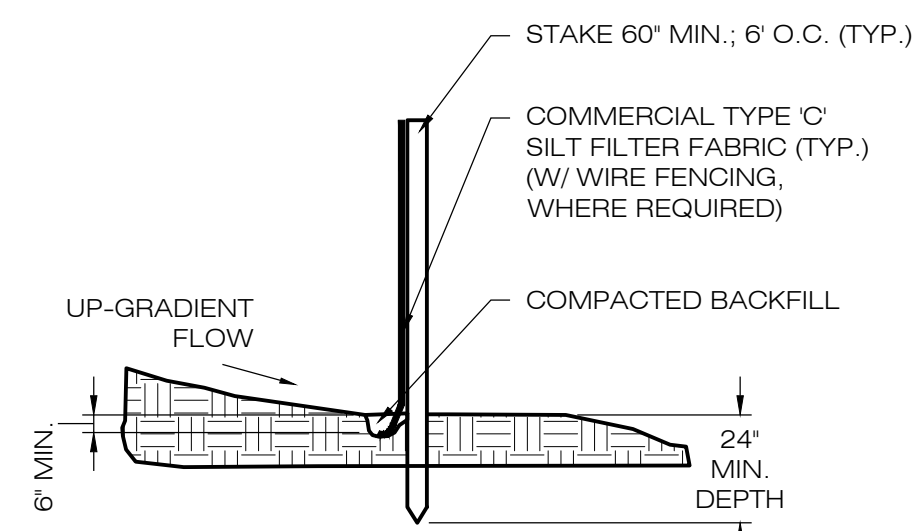
DATE: 03/07/23 DRAWN BY: JAB CHECKED BY: KAM

SHEET TITLE:
SEDIMENTATION & EROSION CONTROL NOTES

SHEET NUMBER:

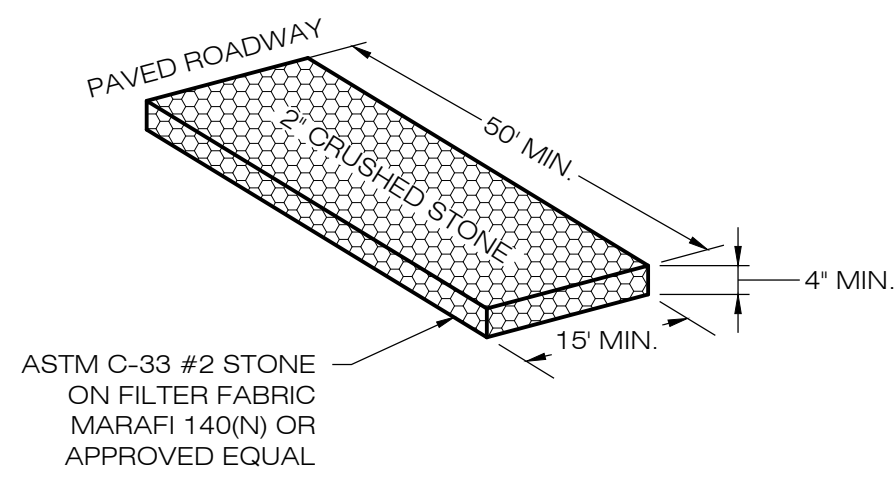
EC-1



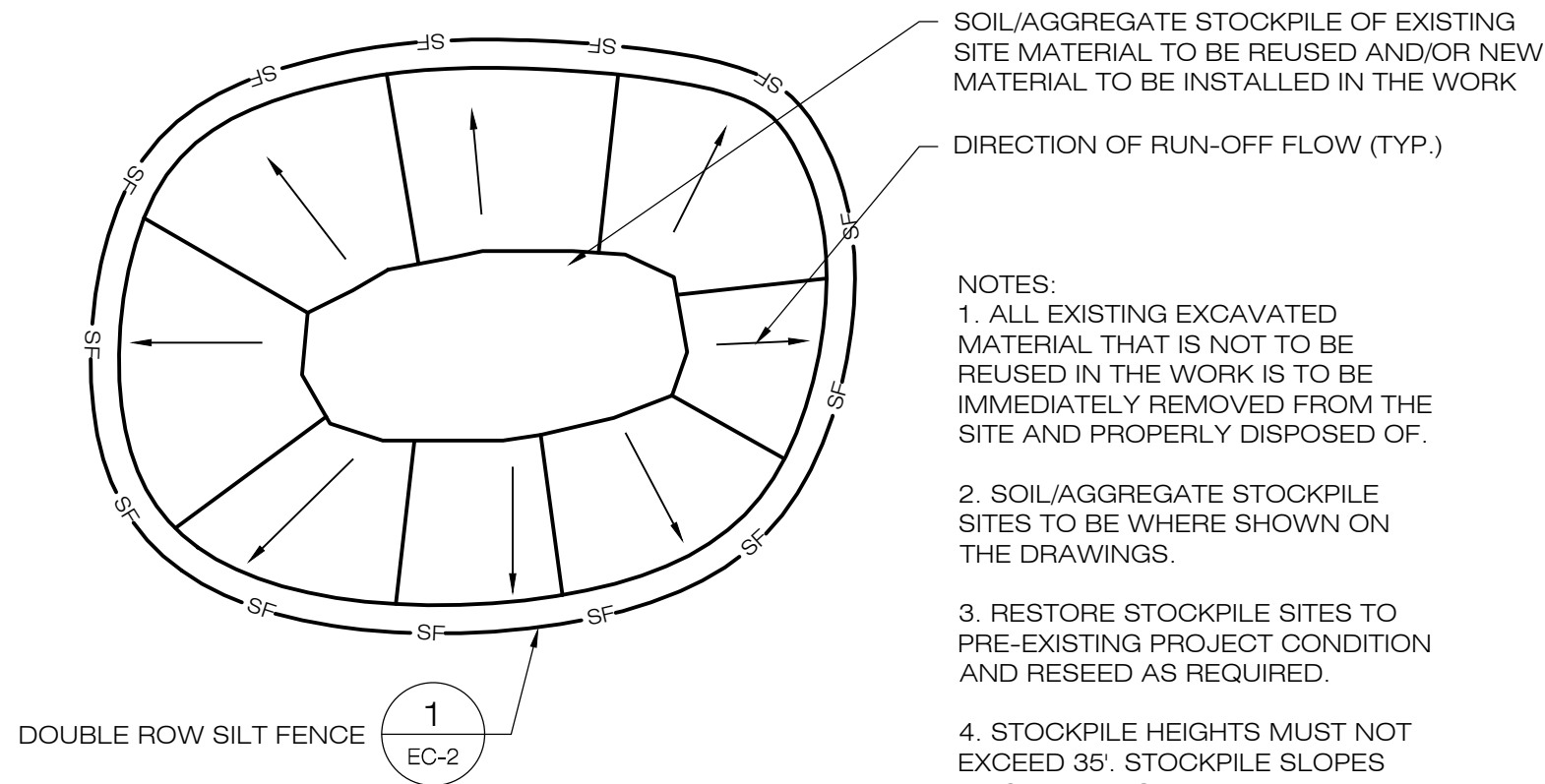


NOTE:
SILT FENCE SHALL BE LAPPED ONLY
WHEN NECESSARY PER THE
MANUFACTURER RECOMMENDATIONS.

1 SILT FENCE DETAIL
SCALE: N.T.S.



2 CONSTRUCTION ENTRANCE DETAIL
SCALE: N.T.S.

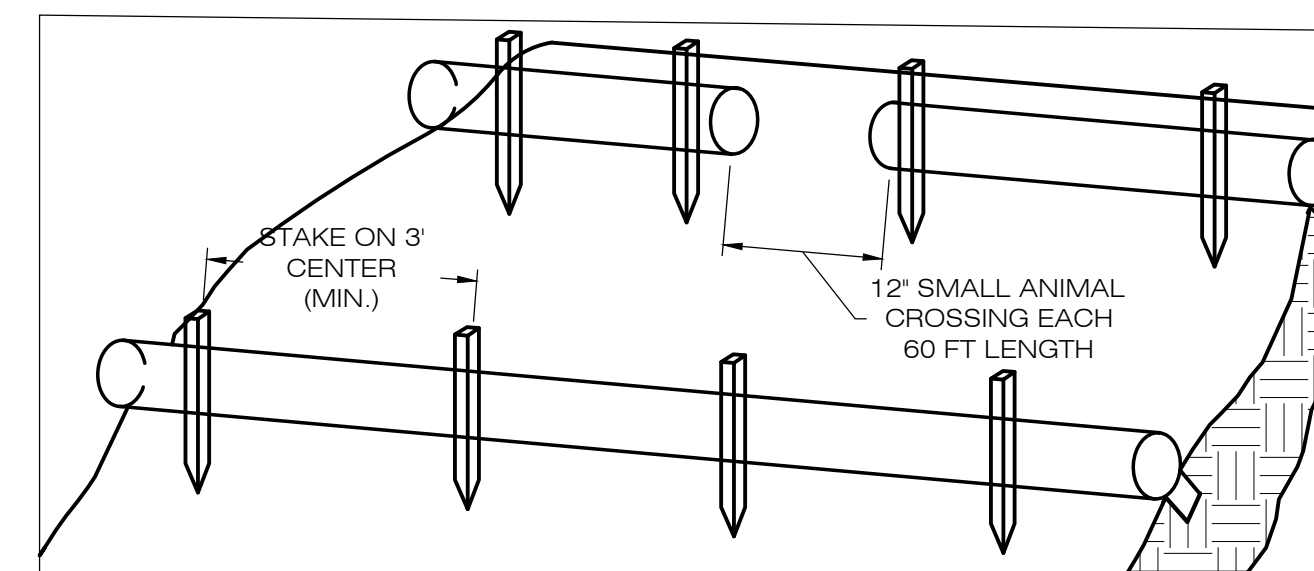


SOIL/AGGREGATE STOCKPILE OF EXISTING
SITE MATERIAL TO BE REUSED AND/OR NEW
MATERIAL TO BE INSTALLED IN THE WORK

DIRECTION OF RUN-OFF FLOW (TYP.)

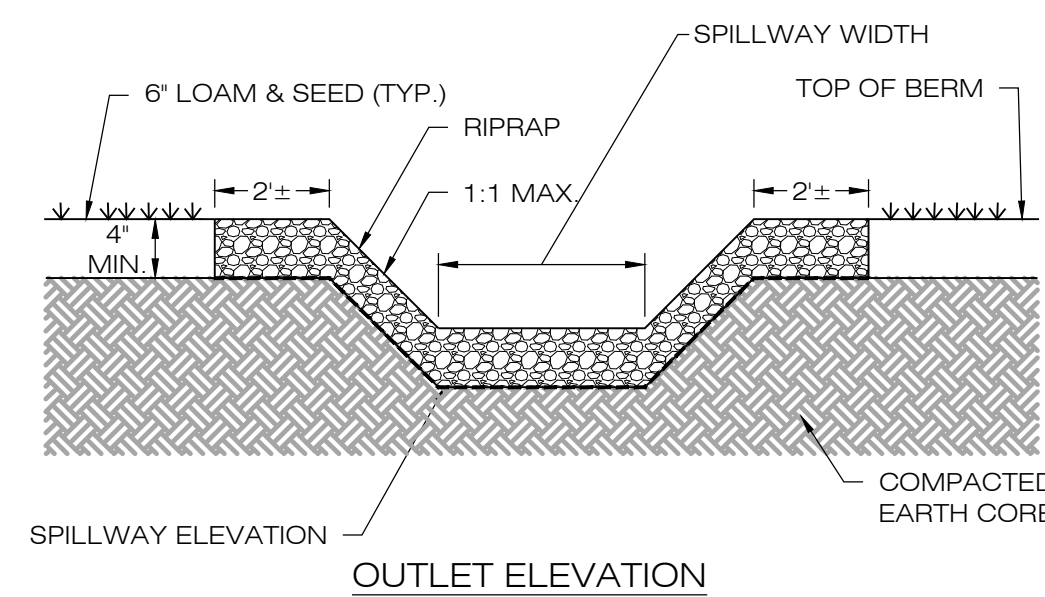
- NOTES:
1. ALL EXISTING EXCAVATED MATERIAL THAT IS NOT TO BE REUSED IN THE WORK IS TO BE IMMEDIATELY REMOVED FROM THE SITE AND PROPERLY DISPOSED OF.
 2. SOIL/AGGREGATE STOCKPILE SITES TO BE WHERE SHOWN ON THE DRAWINGS.
 3. RESTORE STOCKPILE SITES TO PRE-EXISTING PROJECT CONDITION AND RESEED AS REQUIRED.
 4. STOCKPILE HEIGHTS MUST NOT EXCEED 35'. STOCKPILE SLOPES MUST BE 2:1 OR FLATTER.

3 MATERIALS STOCKPILE DETAIL
SCALE: N.T.S.

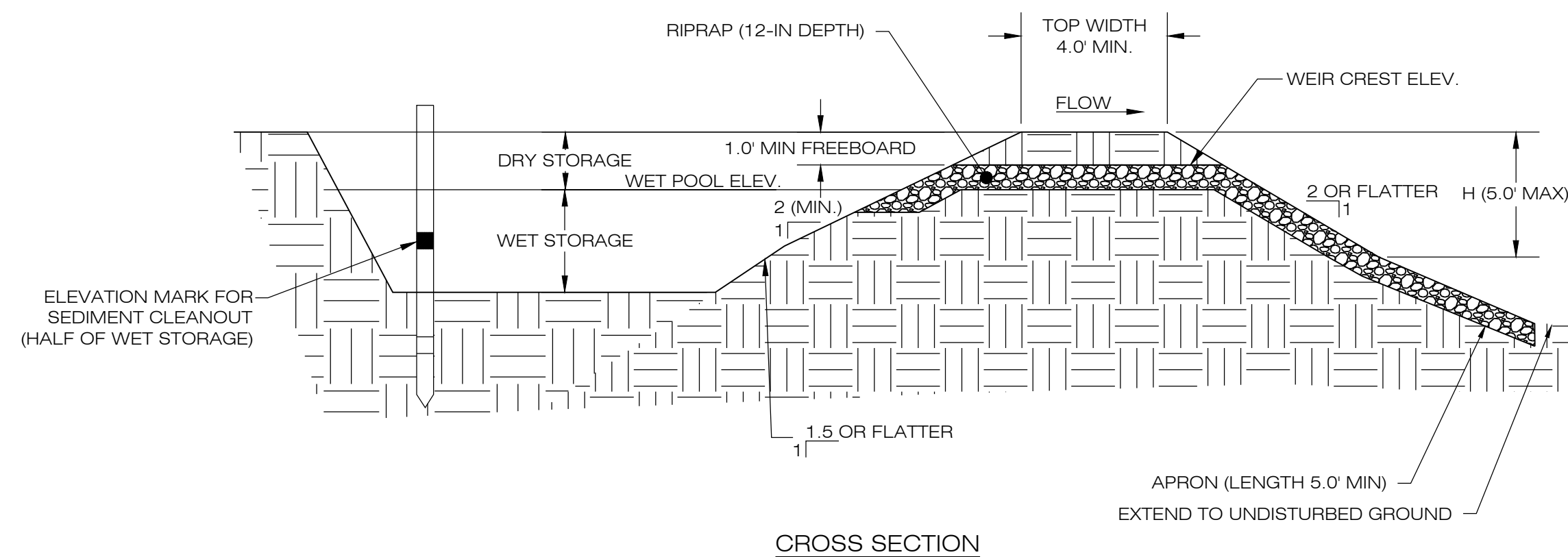


1. BEGIN AT THE LOCATION WHERE THE SOCK IS TO BE INSTALLED BY EXCAVATING A 2-3' (6-7.5 CM) DEEP X 9" (22.9 CM) WIDE TRENCH ALONG THE CONTOUR OF THE SLOPE. EXCAVATED SOIL SHOULD BE PLACED UP SLOPE FROM THE ANCHOR TRENCH.
2. PLACE THE SOCK IN THE TRENCH SO THAT IT CONTOURS TO THE SOIL SURFACE. COMPACT SOIL FROM THE EXCAVATED TRENCH AGAINST THE SOCK ON THE UPHILL SIDE. SOCKS SHALL BE INSTALLED IN 60 FT CONTINUOUS LENGTHS WITH ADJACENT SOCKS TIGHTLY ABUT. EVERY 60 FT THE SOCK ROW SHALL BE SPACED 12 INCHES CLEAR, END TO END, FOR AMPHIBIAN AND REPTILE TRAVEL. THE OPEN SPACES SHALL BE STAGGERED MID LENGTH OF THE NEXT DOWN GRADIENT SOCK.
3. SECURE THE SOCK WITH 18-24" (45.7-61 CM) STAKES EVERY 3-4' (0.9 - 1.2 M) AND WITH A STAKE ON EACH END. STAKES SHOULD BE DRIVEN THROUGH THE MIDDLE OF THE SOCK LEAVING AT LEAST 2-3' (5-7.5 CM) OF STAKE EXTENDING ABOVE THE SOCK. STAKES SHOULD BE DRIVEN PERPENDICULAR TO THE SLOPE FACE.

4 COMPOST FILTER SOCK SEDIMENTATION CONTROL BARRIER
SCALE: N.T.S.



CROSS SECTION



CROSS SECTION

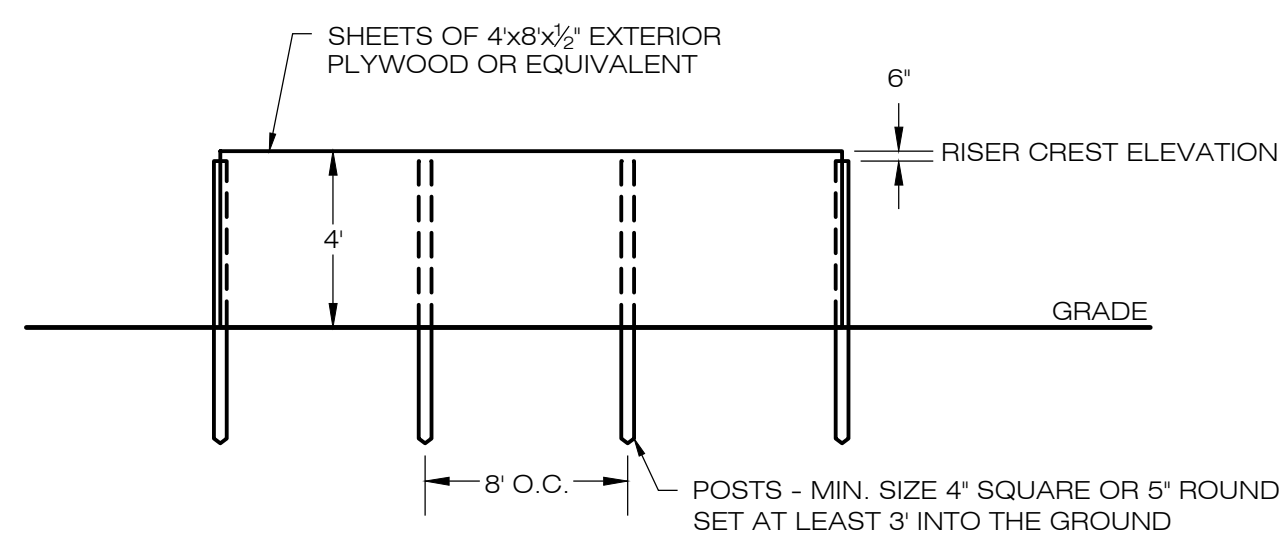
TEMPORARY SEDIMENT TRAP SIZING TABLE										
NAME	DRAINAGE AREA (AC)	SEDIMENT VOLUME/ACRE AREA (CY)	REQ. VOLUME (CY)	REQ. WET VOLUME (CY)	PROP. BTM. ELEV. (FT)	PROP. PERVIOUS STONE BTM ELEV. (FT)	PROP. WEIR CREST ELEV. (FT)	PROP. TOP ELEV. (FT)	WET VOL. PROVIDED (CY)	TOTAL VOL. PROVIDED (CY)
TST-1	4.94 AC	134 CYD	661.94 CY	330.97 CY	513.0'	514.5'	515.5'	517.0'	435.6 CY	1,400.7 CY
TST-2	4.93 AC	134 CYD	660.87 CY	330.44 CY	511.0'	512.5'	513.5'	515.0'	416.8 CY	1,328.3 CY
TST-3	4.80 AC	134 CYD	642.97 CY	321.48 CY	509.0'	510.5'	511.5'	513.0'	414.2 CY	1,345.9 CY
TST-4	4.56 AC	134 CYD	610.39 CY	305.19 CY	510.0'	511.5'	512.5'	514.0'	382.8 CY	1,251.7 CY

SEED MIX TO BE NEWP NEW ENGLAND EROSION CONTROL/
RESTORATION MIX FOR DETENTION BASINS AND MOIST SITES.

New England Erosion Control/Restoration Mix For Detention Basins and Moist Sites

Botanical Name	Common Name	Indicator
<i>Elymus riparius</i>	Riverbank Wild Rye	FACW
<i>Schizachyrium scoparium</i>	Little Bluestem	FACU
<i>Festuca rubra</i>	Red Fescue	FACU
<i>Andropogon gerardii</i>	Big Bluestem	FAC
<i>Panicum virgatum</i>	Switch Grass	FAC
<i>Vernonia noveboracensis</i>	New York Ironweed	FACW+
<i>Agrostis perennans</i>	Upland Bentgrass	FACU
<i>Bidens frondosa</i>	Beggar Ticks	FACW
<i>Eupatorium maculatum (Eutrochium maculatum)</i>	Spotted Joe Pye Weed	OBL
<i>Eupatorium perfoliatum</i>	Boneset	FACW
<i>Aster novae-angliae (Symphyotrichum novae-angliae)</i>	New England Aster	FACW-
<i>Scirpus cyperinus</i>	Wool Grass	FACW
<i>Juncus effusus</i>	Soft Rush	FACW+

PRICE PER LB. \$37.00 MIN. QUANTITY 3 LBS. TOTAL: \$111.00 APPLY: 35 LBS/ACRE :1250 sq ft/lb



- NOTES:
1. FILL ANY VOIDS BETWEEN THE BOTTOM OF THE BASIN AND BAFFLE.

6 SEDIMENT TRAP BAFFLE
SCALE: N.T.S.

5 TEMPORARY SEDIMENT TRAP
SCALE: N.T.S.

524 NLR LLC
9 NOVELTY LANE, UNIT 9B
ESSEX, CT 06426



567 VAUXHALL STREET EXTENSION - SUITE 311
WATERFORD, CT 06385 PHONE: (860)-663-1697
WWW.ALLPOINTSTECH.COM FAX: (860)-663-0935

CSC PERMIT SET

NO	DATE	REVISION
0	03/07/23	FOR FILING: KAM
1		
2		
3		
4		
5		
6		

DESIGN PROFESSIONAL OF RECORD

PROF: KEVIN A. MCCAFFERY, P.E.
COMP: ALL-POINTS TECHNOLOGY CORPORATION, P.C.
ADD: 567 VAUXHALL STREET EXTENSION - SUITE 311 WATERFORD, CT 06385

OWNER: FIVE J, LLC

ADDRESS: 524 NEW LONDON ROAD COLCHESTER, CT

SCRAPYARD SOLAR

SITE ADDRESS: 524 NEW LONDON ROAD COLCHESTER, CT

APT FILING NUMBER: CT580160

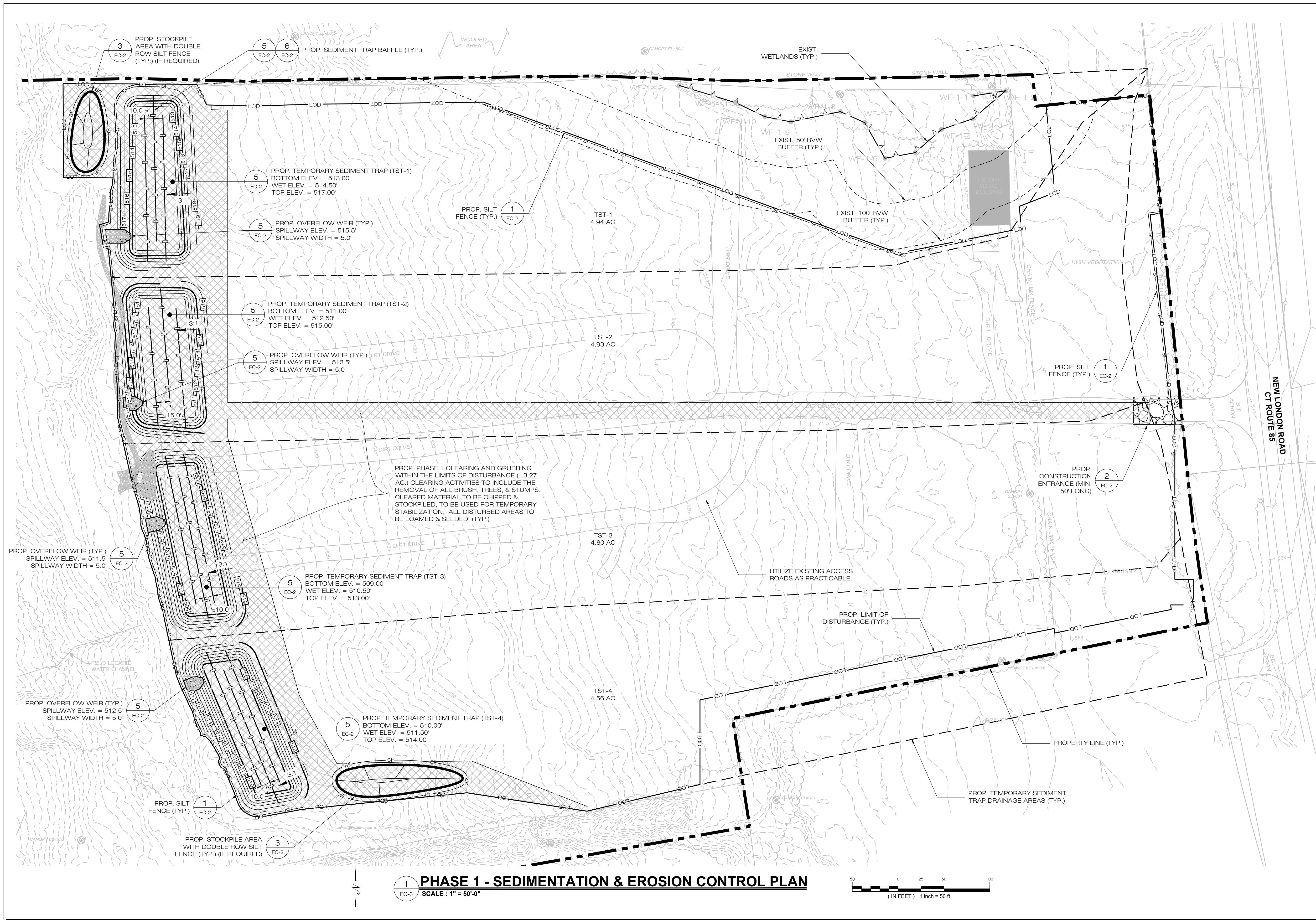
DRAWN BY: JAB

DATE: 03/07/23 CHECKED BY: KAM

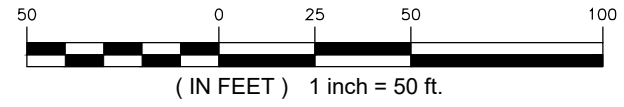
SHEET TITLE:
SEDIMENTATION & EROSION CONTROL DETAILS

SHEET NUMBER:





1 PHASE 1 - SEDIMENTATION & EROSION CONTROL PLAN
 EC-3 SCALE: 1" = 50'-0"



524 NLR LLC
 9 NOVELTY LANE, UNIT 9B
 ESSEX, CT 06426

ALL-POINTS TECHNOLOGY CORPORATION
 567 VAUXHALL STREET EXTENSION - SUITE 311
 WATERFORD, CT 06385 PHONE: (860)-663-1697
 WWW.ALLPOINTS TECH.COM FAX: (860)-663-0935

CSC PERMIT SET

NO	DATE	REVISION
0	03/07/23	FOR FILING: KAM
1		
2		
3		
4		
5		
6		

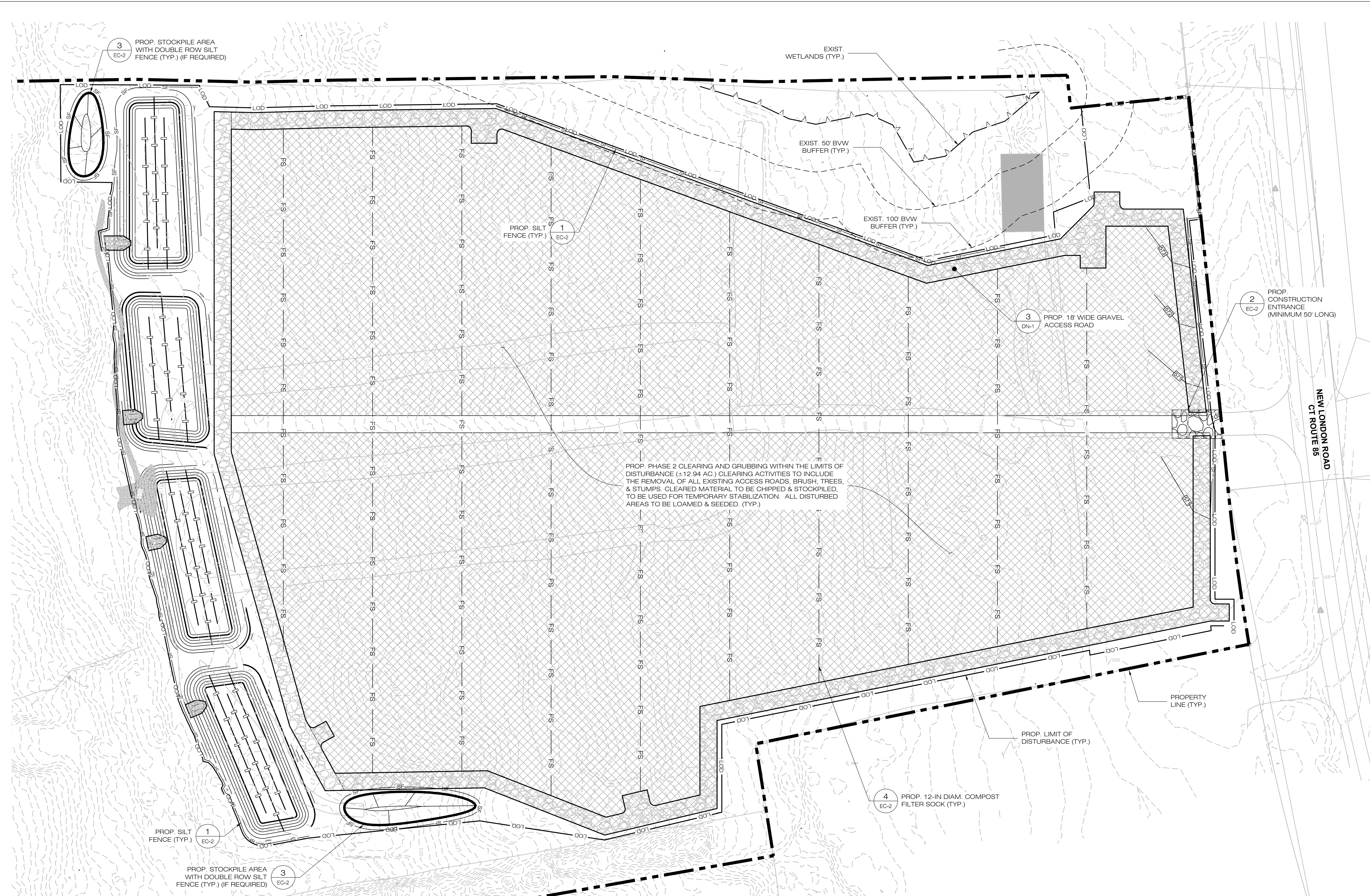
DESIGN PROFESSIONAL OF RECORD
 PROF: KEVIN A. MCCAFFERY, P.E.
 COMP: ALL-POINTS TECHNOLOGY CORPORATION, P.C.
 ADD: 567 VAUXHALL STREET EXTENSION - SUITE 311
 WATERFORD, CT 06385
 OWNER: FIVE J, LLC
 ADDRESS: 524 NEW LONDON ROAD COLCHESTER, CT

SCRAPYARD SOLAR

SITE: 524 NEW LONDON ROAD
 ADDRESS: COLCHESTER, CT
 APT FILING NUMBER: CT580160
 DATE: 03/07/23
 DRAWN BY: JAB
 CHECKED BY: KAM

SHEET TITLE:
PHASE 1 SEDIMENTATION & EROSION CONTROL PLAN

SHEET NUMBER:
EC-3



524 NLR LLC
 9 NOVELTY LANE, UNIT 9B
 ESSEX, CT 06426

ALL-POINTS
 TECHNOLOGY CORPORATION
 567 VAUXHALL STREET EXTENSION - SUITE 311
 WATERFORD, CT 06385 PHONE: (860)-663-1697
 WWW.ALLPOINTSTECH.COM FAX: (860)-663-0935

CSC PERMIT SET

NO	DATE	REVISION
0	03/07/23	FOR FILING: KAM
1		
2		
3		
4		
5		
6		

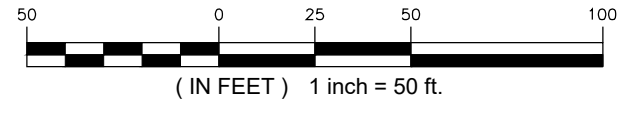
DESIGN PROFESSIONAL OF RECORD
 PROF: KEVIN A. MCCAFFERY, P.E.
 COMP: ALL-POINTS TECHNOLOGY CORPORATION, P.C.
 ADD: 567 VAUXHALL STREET EXTENSION - SUITE 311 WATERFORD, CT 06385
 OWNER: FIVE J, LLC
 ADDRESS: 524 NEW LONDON ROAD COLCHESTER, CT

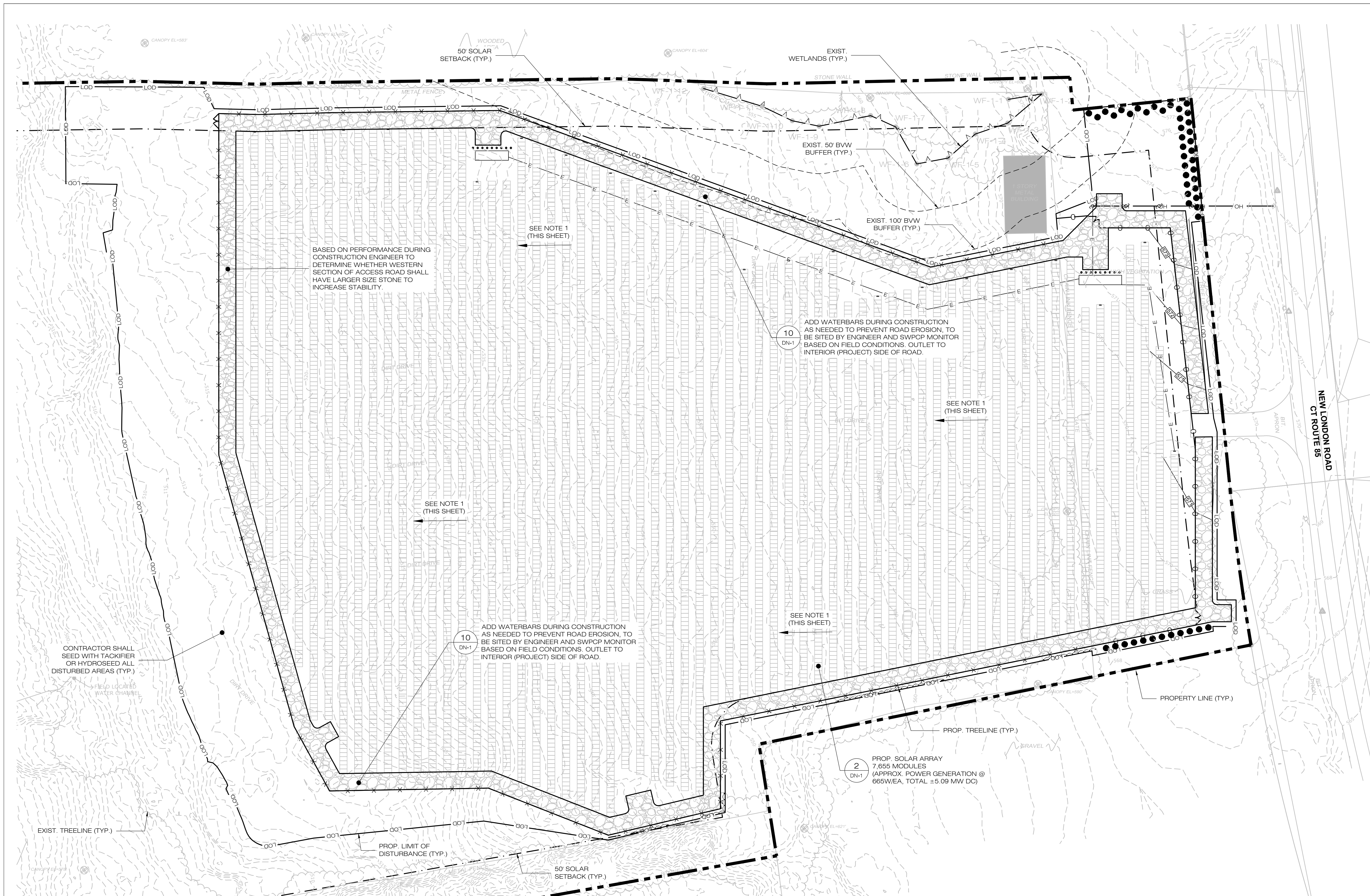
SCRAPYARD SOLAR
 SITE ADDRESS: 524 NEW LONDON ROAD COLCHESTER, CT
 APT FILING NUMBER: CT580160
 DATE: 03/07/23
 DRAWN BY: JAB
 CHECKED BY: KAM

SHEET TITLE:
**PHASE 2
 SEDIMENTATION &
 EROSION CONTROL PLAN**

SHEET NUMBER:
EC-4

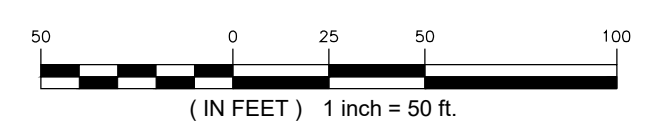
1 PHASE 2 - SEDIMENTATION & EROSION CONTROL PLAN
 SCALE: 1" = 50'-0"





NOTES:
 1. GRADE/SHAPE AREA TO MAINTAIN EXIST. DRAINAGE PATTERNS.
 2. CONTRACTOR SHALL REMOVE ALL TEMPORARY SEDIMENT TRAPS, BAFFLES, AND OVERFLOW WEIRS AND RE-GRADE THE AREA TO MIMIC PRE-CONSTRUCTION CONDITIONS UPON THE SITE OR DRAINAGE AREA BEING DEEMED STABILIZED PER THE SWPCP.

1 FINAL GRADING & DRAINAGE PLAN
 GD-1 SCALE: 1" = 50'-0"



524 NLR LLC
9 NOVELTY LANE, UNIT 9B
ESSEX, CT 06426

ALL-POINTS TECHNOLOGY CORPORATION
 567 VAUXHALL STREET EXTENSION - SUITE 311
 WATERFORD, CT 06385 PHONE: (860)-663-1697
 WWW.ALLPOINTS TECH.COM FAX: (860)-663-0935

CSC PERMIT SET

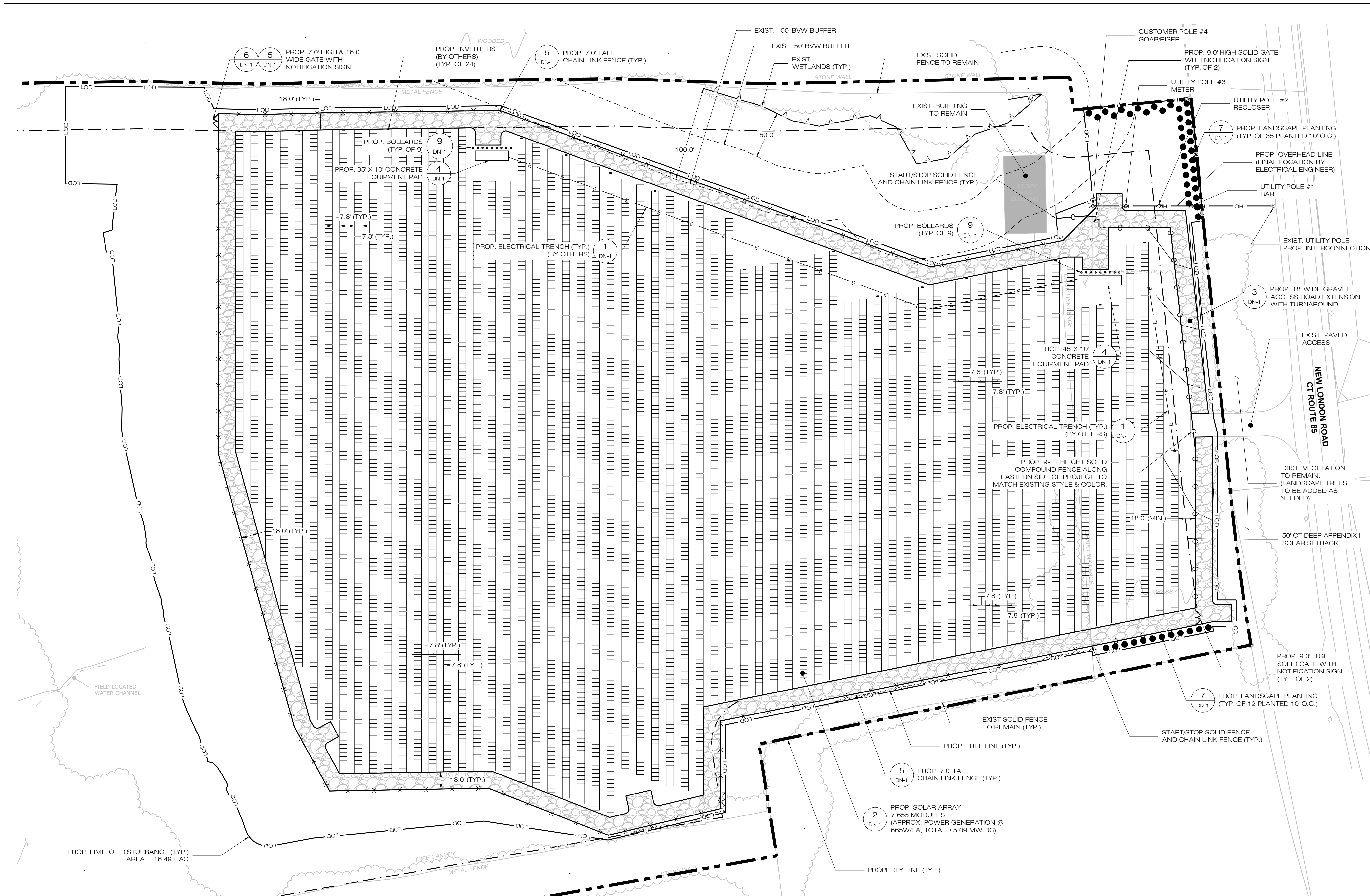
NO	DATE	REVISION
0	03/07/23	FOR FILING: KAM
1		
2		
3		
4		
5		
6		

DESIGN PROFESSIONAL OF RECORD
PROF: KEVIN A. MCCAFFERY, P.E.
COMP: ALL-POINTS TECHNOLOGY CORPORATION, P.C.
ADD: 567 VAUXHALL STREET EXTENSION - SUITE 311 WATERFORD, CT 06385
OWNER: FIVE J, LLC
ADDRESS: 524 NEW LONDON ROAD COLCHESTER, CT

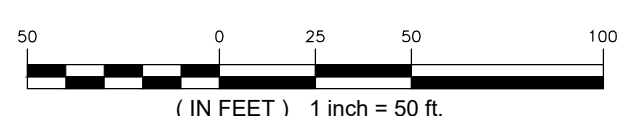
SCRAPYARD SOLAR
SITE: 524 NEW LONDON ROAD
ADDRESS: COLCHESTER, CT
APT FILING NUMBER: CT580160
DRAWN BY: JAB
DATE: 03/07/23 **CHECKED BY: KAM**

SHEET TITLE:
FINAL GRADING & DRAINAGE PLAN

SHEET NUMBER:
GD-1



1 SITE & UTILITY PLAN
SCALE: 1" = 50'-0"



524 NLR LLC
9 NOVELTY LANE, UNIT 9B
ESSEX, CT 06426

ALL-POINTS TECHNOLOGY CORPORATION

567 VAUXHALL STREET EXTENSION - SUITE 311
WATERFORD, CT 06385 PHONE: (860)-663-1697
WWW.ALLPOINTS TECH.COM FAX: (860)-663-0935

CSC PERMIT SET

NO	DATE	REVISION
0	03/07/23	FOR FILING: KAM
1		
2		
3		
4		
5		
6		

DESIGN PROFESSIONAL OF RECORD

PROF: KEVIN A. MCCAFFERY, P.E.
COMP: ALL-POINTS TECHNOLOGY CORPORATION, P.C.
ADD: 567 VAUXHALL STREET EXTENSION - SUITE 311
WATERFORD, CT 06385

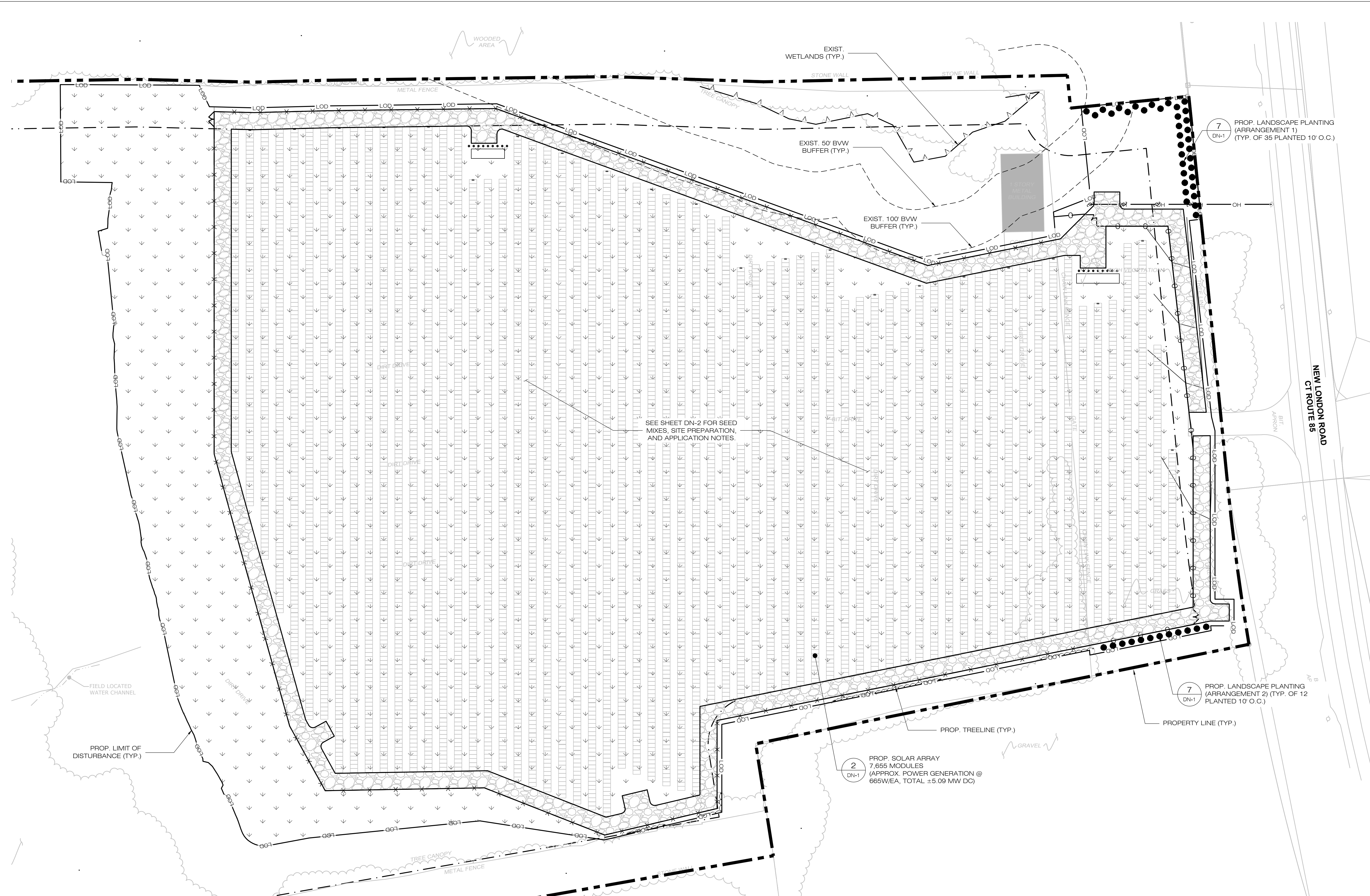
OWNER: FIVE J, LLC
ADDRESS: 524 NEW LONDON ROAD COLCHESTER, CT

SCRAPYARD SOLAR

SITE ADDRESS: 524 NEW LONDON ROAD COLCHESTER, CT
APT FILING NUMBER: CT580160
DRAWN BY: JAB
DATE: 03/07/23 CHECKED BY: KAM

SHEET TITLE:
SITE & UTILITY PLAN

SHEET NUMBER:
SP-1



1 LANDSCAPE SEEDING PLAN
 LP-1 SCALE: 1" = 50'-0"



524 NLR LLC
 9 NOVELTY LANE, UNIT 9B
 ESSEX, CT 06426

ALL-POINTS TECHNOLOGY CORPORATION
 567 VAUXHALL STREET EXTENSION - SUITE 311
 WATERFORD, CT 06385 PHONE: (860)-663-1697
 WWW.ALLPOINTS TECH.COM FAX: (860)-663-0935

CSC PERMIT SET

NO	DATE	REVISION
0	03/07/23	FOR FILING: KAM
1		
2		
3		
4		
5		
6		

DESIGN PROFESSIONAL OF RECORD
 PROF: KEVIN A. MCCAFFERY, P.E.
 COMP: ALL-POINTS TECHNOLOGY CORPORATION, P.C.
 ADD: 567 VAUXHALL STREET EXTENSION - SUITE 311
 WATERFORD, CT 06385
 OWNER: FIVE J, LLC
 ADDRESS: 524 NEW LONDON ROAD COLCHESTER, CT

SCRAPYARD SOLAR
 SITE ADDRESS: 524 NEW LONDON ROAD COLCHESTER, CT
 APT FILING NUMBER: CT580160
 DATE: 03/07/23
 DRAWN BY: JAB
 CHECKED BY: KAM

SHEET TITLE:
 LANDSCAPE SEEDING PLAN

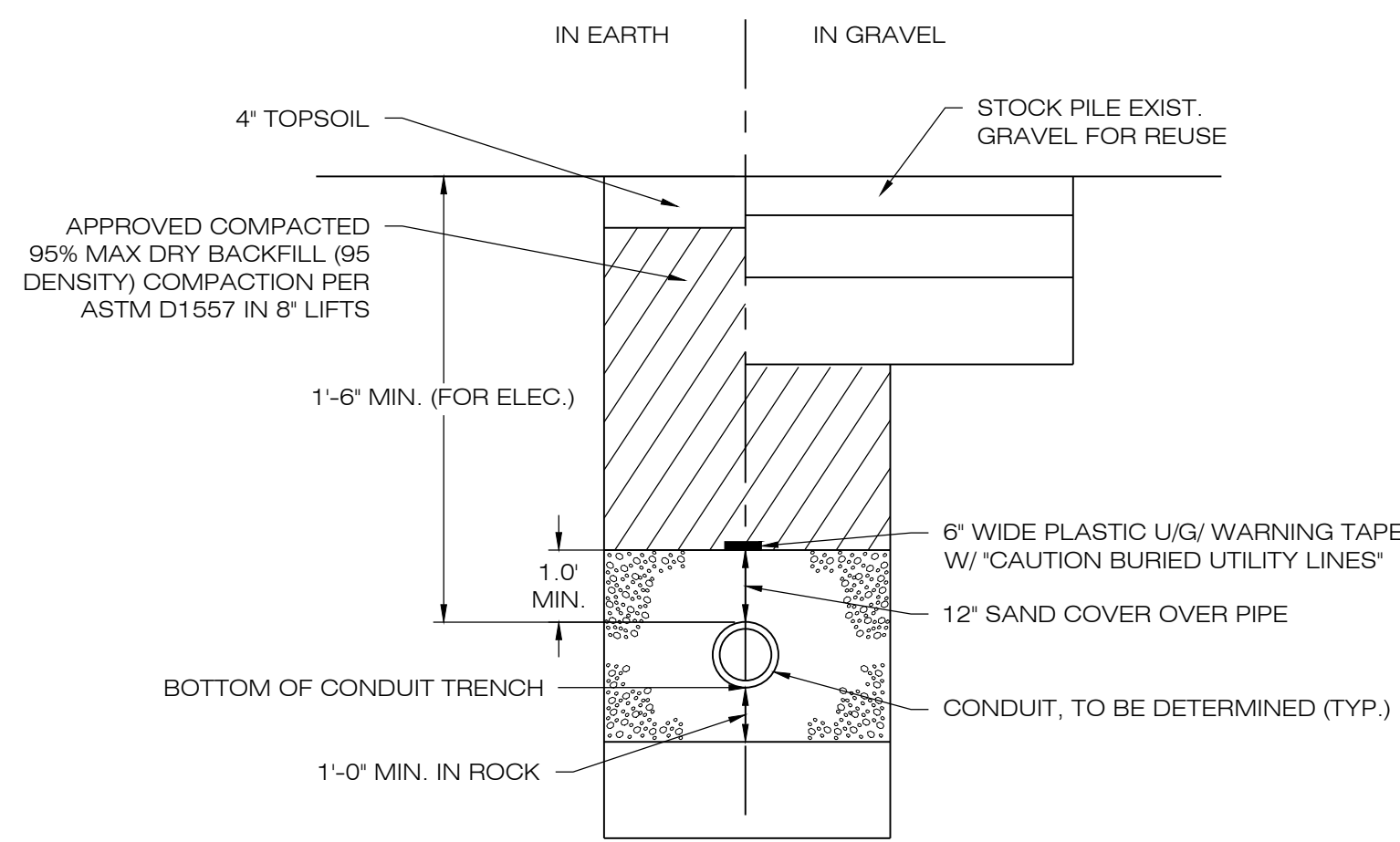
SHEET NUMBER:
 LP-1

7 DN-1 PROP. LANDSCAPE PLANTING (ARRANGEMENT 1) (TYP. OF 35 PLANTED 10' O.C.)

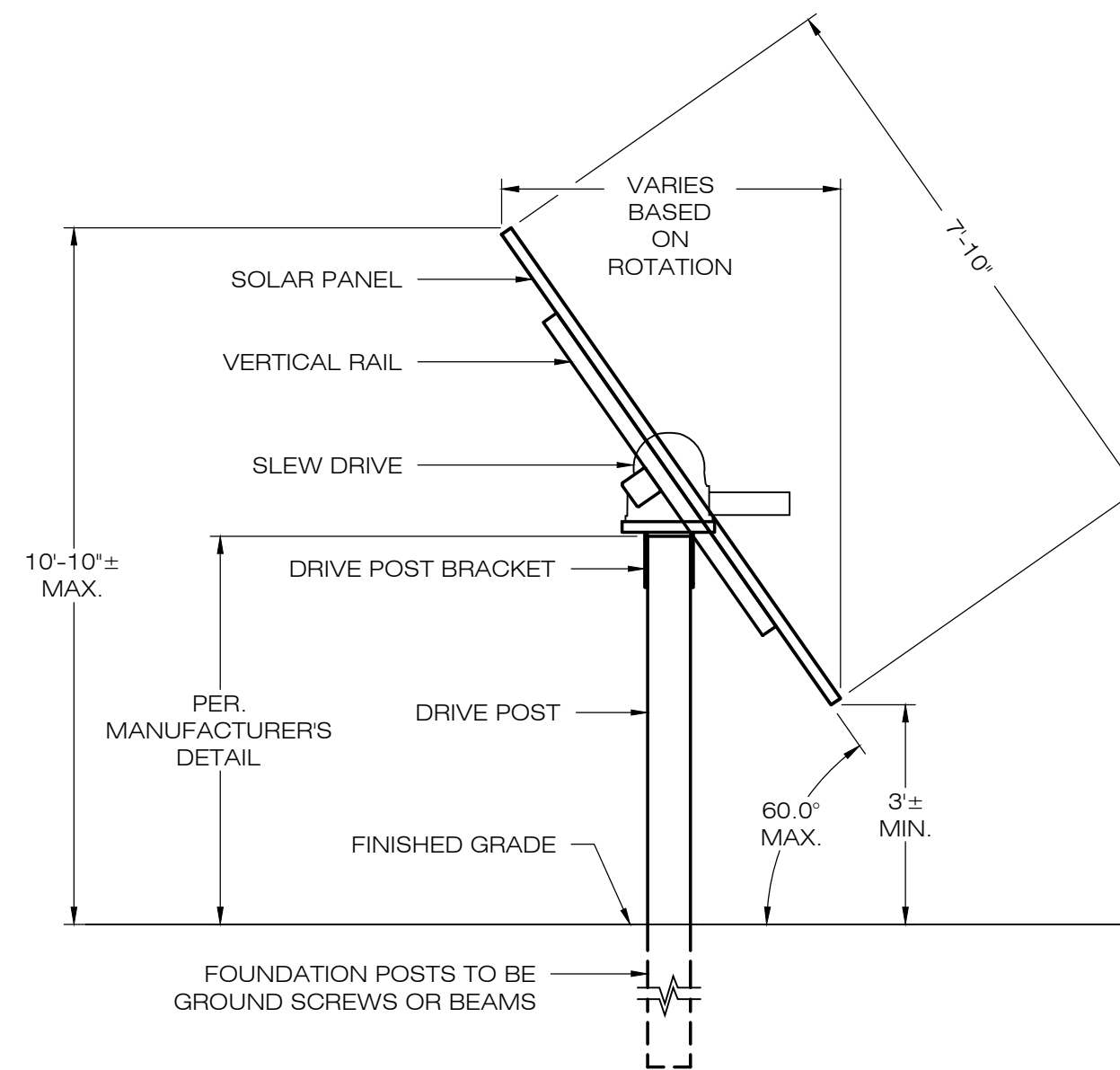
7 DN-1 PROP. LANDSCAPE PLANTING (ARRANGEMENT 2) (TYP. OF 12 PLANTED 10' O.C.)

2 DN-1 PROP. SOLAR ARRAY 7,655 MODULES (APPROX. POWER GENERATION @ 665W/EA, TOTAL ±5.09 MW DC)

SEE SHEET DN-2 FOR SEED MIXES, SITE PREPARATION, AND APPLICATION NOTES.

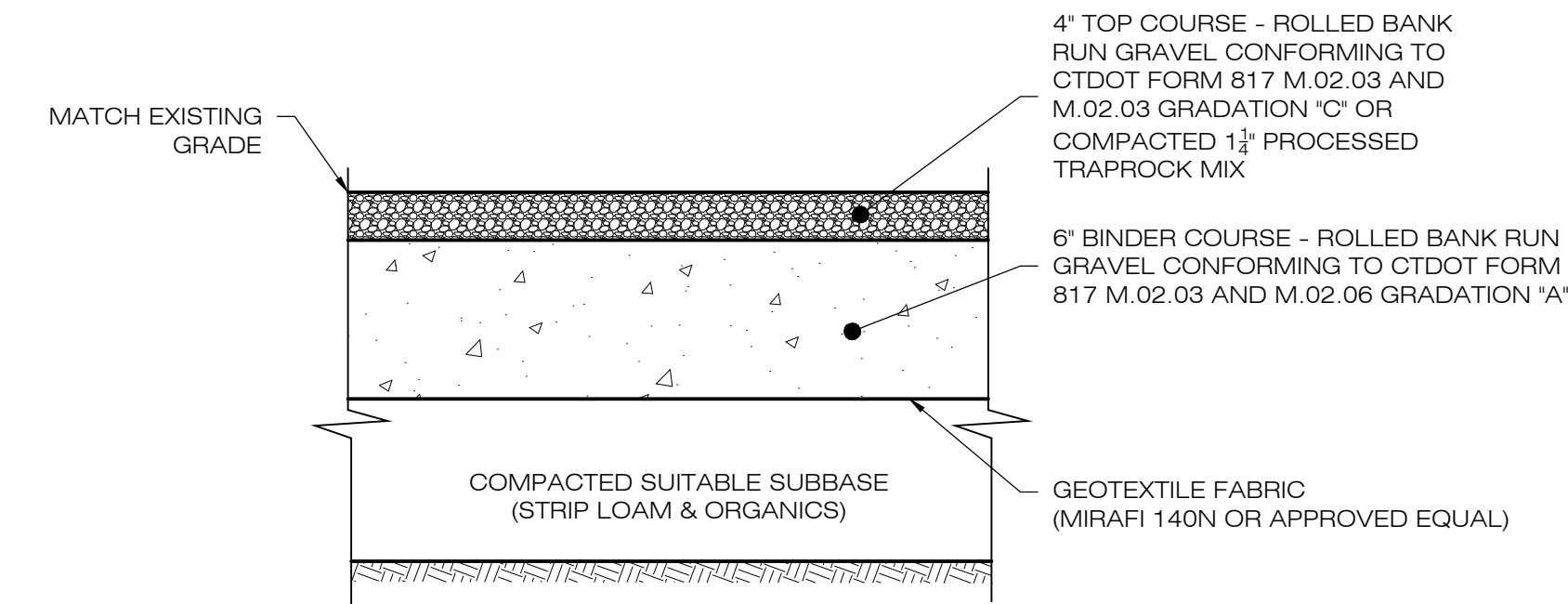


1 ELECTRICAL TRENCH DETAIL
DN-1 SCALE: N.T.S.



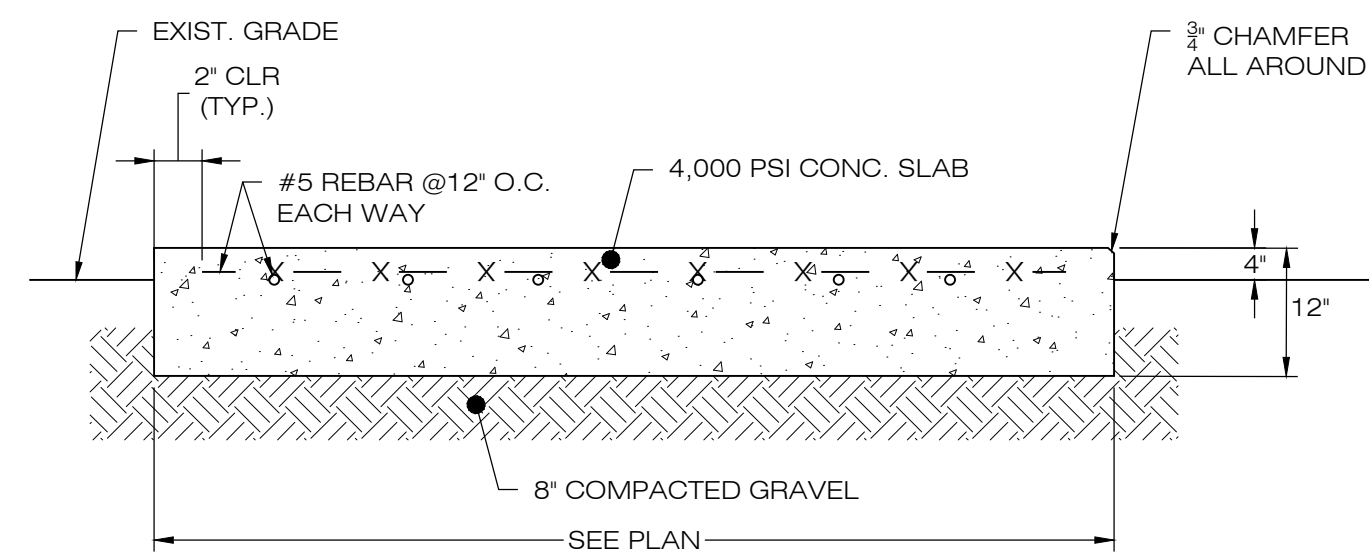
NOTES:
SEE MANUFACTURER'S DETAIL SHEETS FOR ADDITIONAL INFORMATION REGARDING RACKING SYSTEM REQUIREMENTS AND INSTALLATION PROCEDURES. RACKING SYSTEM TO BE INSTALLED IN ACCORDANCE WITH MANUFACTURER'S REQUIREMENTS.

2 TYPICAL TRACKER POST MOUNTED RACKING SYSTEM
DN-1 SCALE: N.T.S.

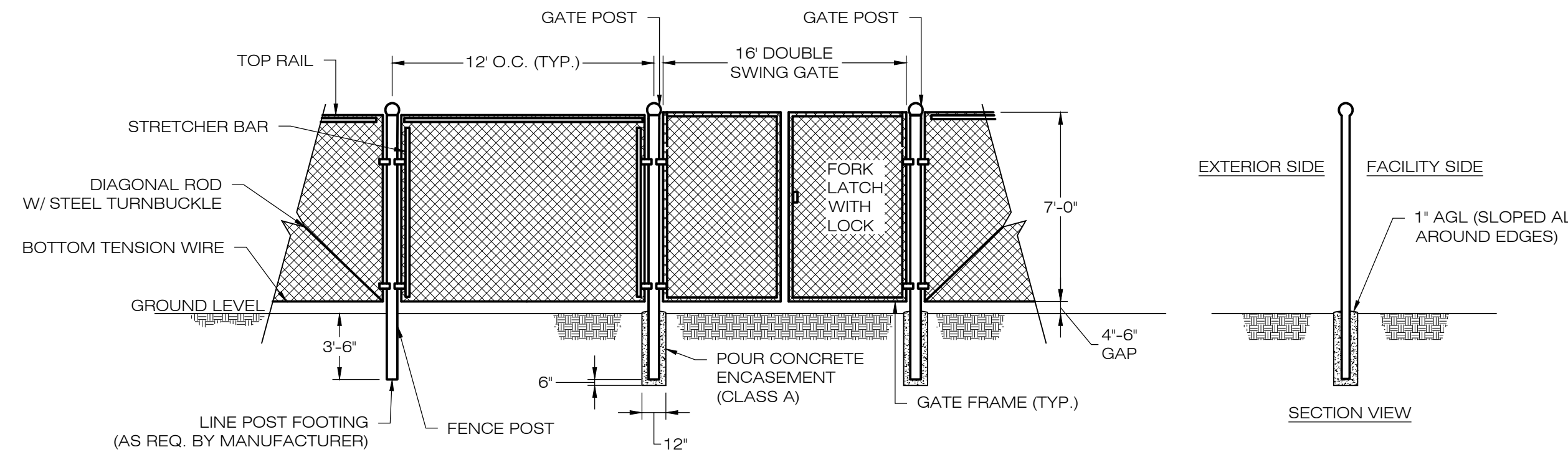


NOTES:
1. SUBBASE MAY CONSIST OF NATIVE MATERIALS IF FOUND ACCEPTABLE BY THE ENGINEER. SUBBASE TO BE COMPACTED TO 95% MAX DRY DENSITY.
2. SUBBASE IS TO BE FREE FROM DEBRIS AND UNSUITABLE MATERIALS.

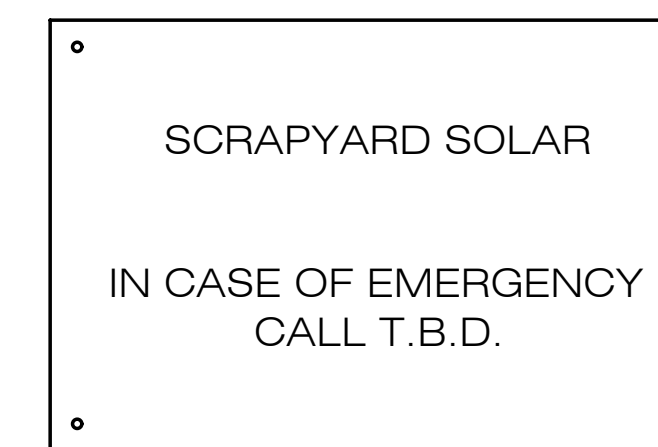
3 GRAVEL ACCESS DRIVE SECTION
DN-1 SCALE: N.T.S.



4 CONCRETE EQUIPMENT PAD
DN-1 SCALE: N.T.S.

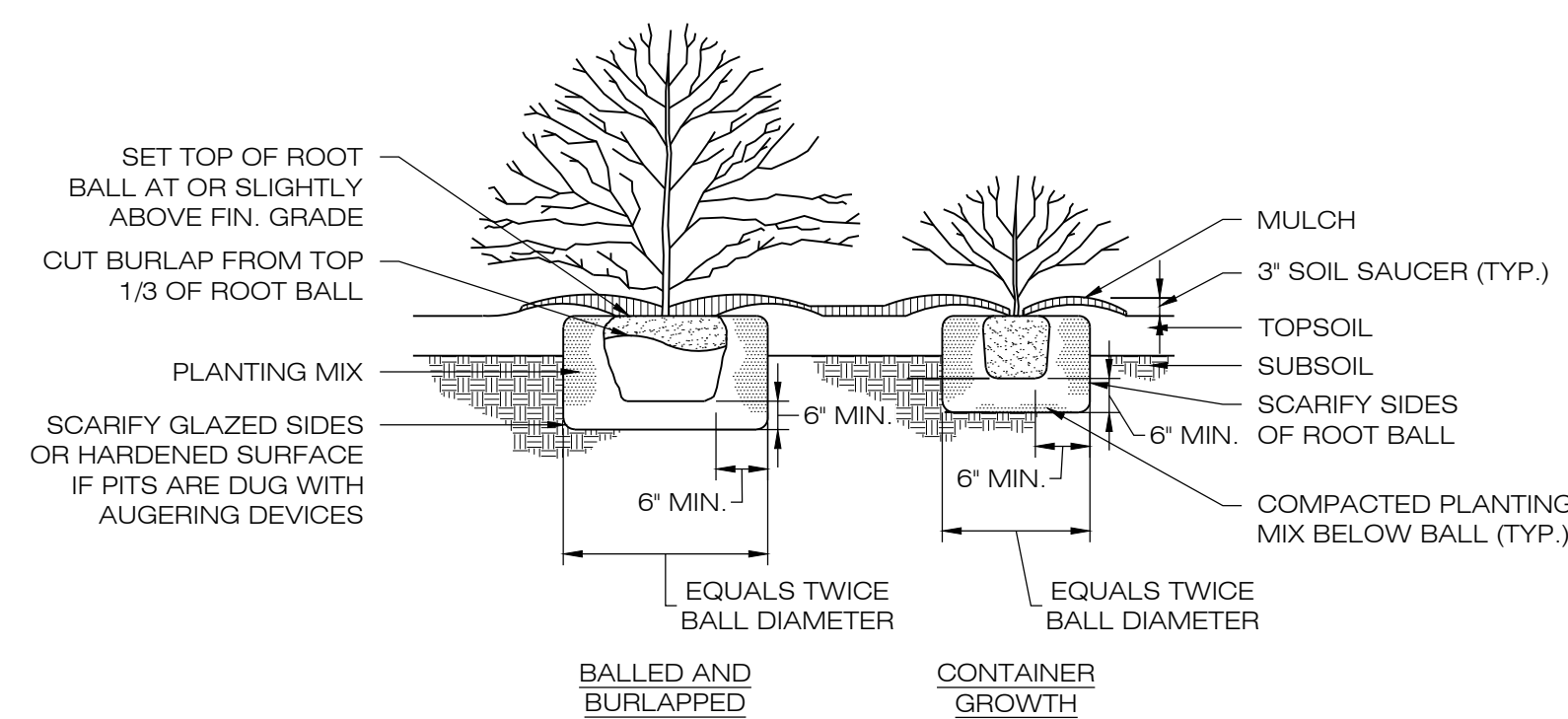


5 CHAIN-LINK FENCE & GATE DETAIL
DN-1 SCALE: N.T.S.



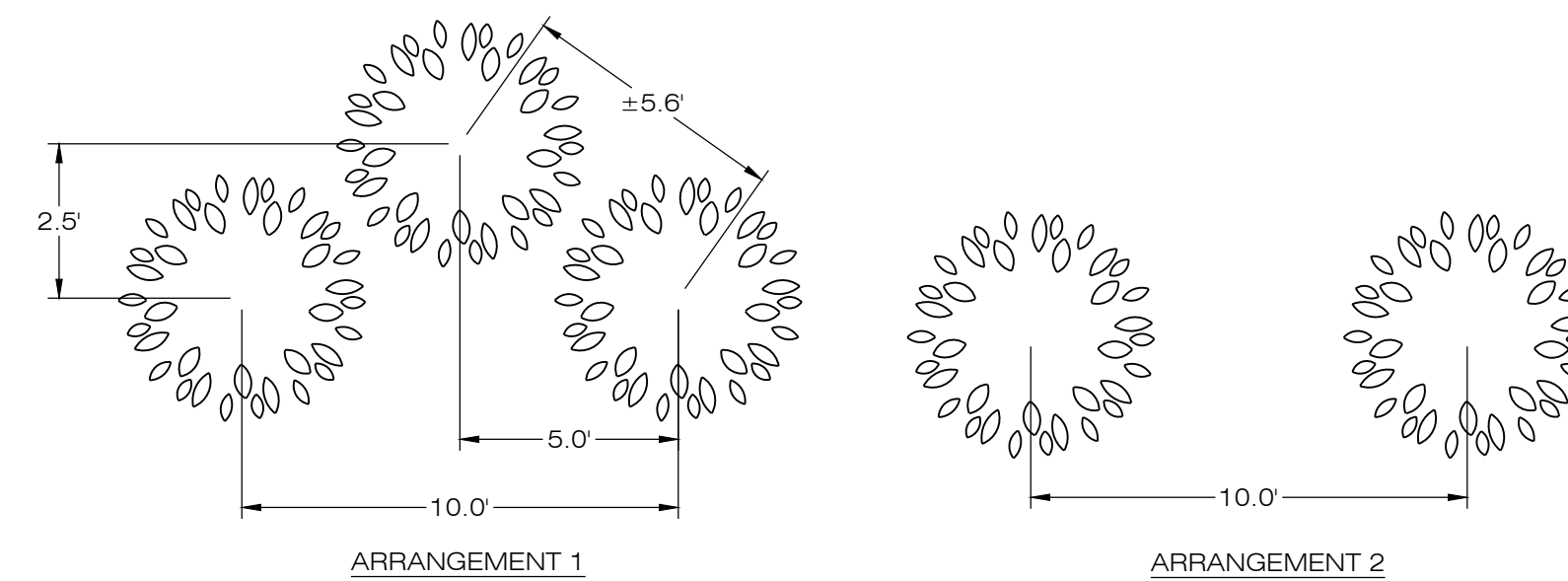
NOTES:
EMERGENCY CALL NUMBER TO BE PROVIDED ONCE DETERMINED.

6 NOTIFICATION SIGN DETAIL
DN-1 SCALE: N.T.S.

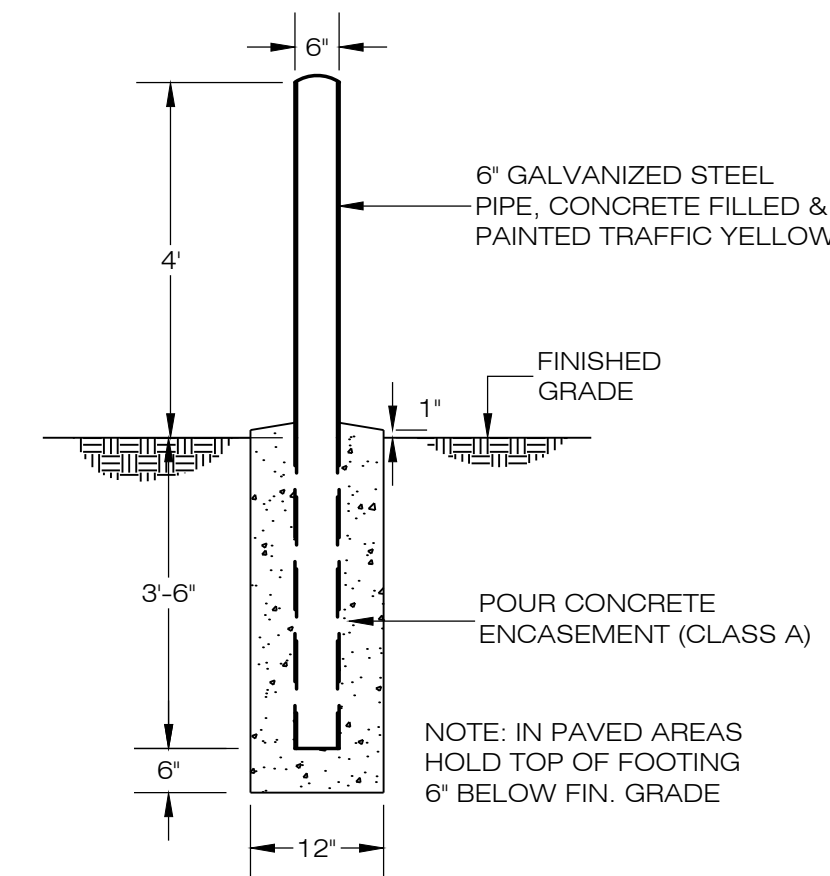


NOTES:
IN AREAS OF MASS PLANTINGS, CONTINUOUSLY EXCAVATE AND MULCH ENTIRE BED.

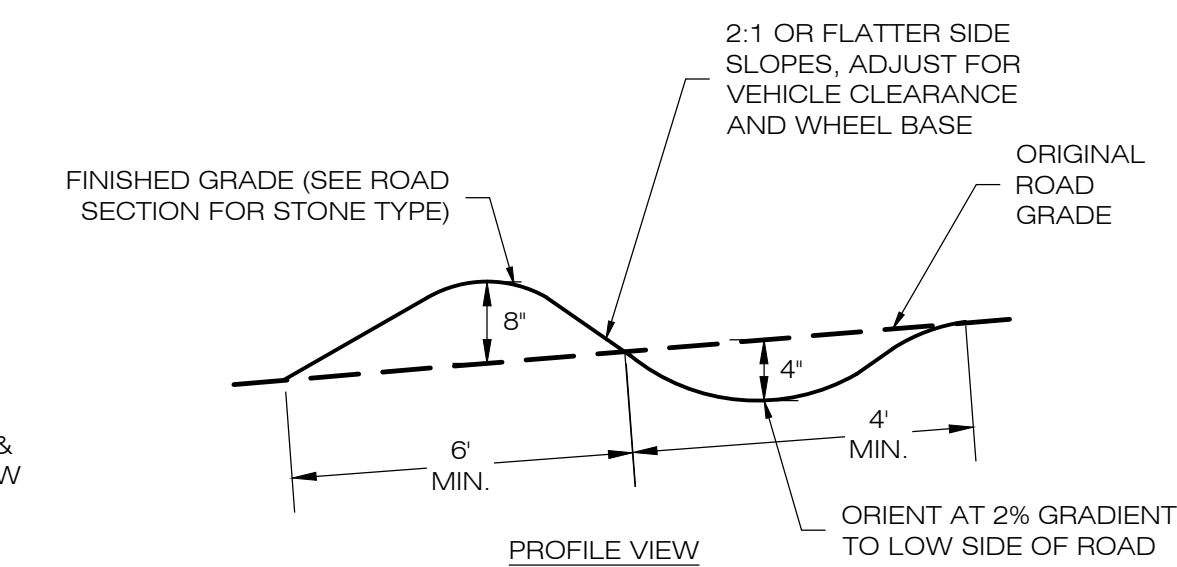
7 TYPICAL PLANTING DETAIL
DN-1 SCALE: N.T.S.



8 SCREENING TREE SPACING
DN-1 SCALE: N.T.S.



9 BOLLARD DETAIL
DN-1 SCALE: N.T.S.



NOTES:
1. SHALL BE ORIENTATED AT A 10 DEGREE ANGLE DOWNGRADE.
2. RIP-RAP OUTFALL SHALL BE INSTALLED AT OUTFALL TO AVOID WASHOUT.
3. WATER BARS SHALL MAINTAIN A MINIMUM OF 6\"/>

RECOMMENDED WATER BAR SPACING	
PERCENT SLOPE	SPACING (FT)
1%	400*
5%	125
10%	78
15%	58

* OR AS DIRECTED BY THE ENGINEER OF RECORD.

10 WATERBAR DETAIL
DN-1 SCALE: N.T.S.

524 NLR LLC
9 NOVELTY LANE, UNIT 9B
ESSEX, CT 06426



567 VAUXHALL STREET EXTENSION - SUITE 311
WATERFORD, CT 06385 PHONE: (860)-663-1697
WWW.ALLPOINTS TECH.COM FAX: (860)-663-0935

CSC PERMIT SET		
NO	DATE	REVISION
0	03/07/23	FOR FILING: KAM
1		
2		
3		
4		
5		
6		

DESIGN PROFESSIONAL OF RECORD
PROF: KEVIN A. MCCAFFERY, P.E.
COMP: ALL-POINTS TECHNOLOGY CORPORATION, P.C.
ADD: 567 VAUXHALL STREET EXTENSION - SUITE 311 WATERFORD, CT 06385
OWNER: FIVE J, LLC
ADDRESS: 524 NEW LONDON ROAD COLCHESTER, CT

SCRAPYARD SOLAR
SITE ADDRESS: 524 NEW LONDON ROAD COLCHESTER, CT
APT FILING NUMBER: CT580160
DATE: 03/07/23
DRAWN BY: JAB
CHECKED BY: KAM

SHEET TITLE:
SITE DETAILS

SHEET NUMBER:
DN-1

SEEDING NOTES:

1. CONDUCT SOIL FERTILITY TESTING AND SHARE RESULTS WITH DESIGN TEAM TO CONFIRM THE FOLLOWING RECOMMENDATIONS.
2. APPLY MINIMUM OF 2 INCHES OF COMPOST (OR TO ALTERNATE DEPTH RECOMMENDED BY ONSITE TESTING).
3. APPLY SLOW RELEASE OR ORGANIC FERTILIZER AND LIME AT RATES RECOMMENDED FROM SOIL FERTILITY TESTING RESULTS.
4. TILL COMPOST, FERTILIZER, AND LIME IN TO TOP 4-6 INCHES OF SOIL TO PREPARE SEED BED.
5. APPLY A HYDROSEED BLEND OF THE FOLLOWING MIXES AT THE VOLUME PERCENTAGES NOTED WITH A BONDED FIBER MATRIX MULCH TO THE AMENDED SOIL.

Quick Erosion Control Cover Mix - ERNMX-104

Botanical Name	Common Name	Price/Lb
50.00 % <i>Lolium multiflorum</i>	Annual Ryegrass	1.20
50.00 % <i>Lolium perenne</i> , 'Blackstone'	Perennial Ryegrass, 'Blackstone'	4.08
100.00 %	Mix Price/Lb Bulk:	\$2.64

Seeding Rate: 50 lb per acre

Erosion Control & Revegetation

Designed to achieve that quick, green color and fast erosion control with strong, fibrous roots. Mix formulations are subject to change without notice depending on the availability of existing and new products. While the formula may change, the guiding philosophy and function of the mix will not.

1 QUICK EROSION CONTROL COVER MIX (35%)

DN-2

Ernst Native Biomass Mix for Strip Mines & Gas Production Sites - ERNMX-110

Botanical Name	Common Name	Price/Lb
30.00 % <i>Andropogon gerardi</i> , 'Niagara'	Big Bluestem, 'Niagara'	12.62
26.00 % <i>Panicum amarum</i> , Atlantic-VA Ecotype	Coastal Panicgrass, Atlantic-VA Ecotype	11.11
26.00 % <i>Panicum virgatum</i> , 'Carthage', NC Ecotype	Switchgrass, 'Carthage', NC Ecotype	12.79
12.00 % <i>Elymus virginicus</i> , Madison-NY Ecotype	Virginia Wildrye, Madison-NY Ecotype	10.16
4.00 % <i>Chamaecrista fasciculata</i> , PA Ecotype	Partridge Pea, PA Ecotype	7.20
2.00 % <i>Desmodium canadense</i> , PA Ecotype	Showy Ticktrefoil, PA Ecotype	48.00
100.00 %	Mix Price/Lb Bulk:	\$12.47

Seeding Rate: 15 lbs/acre with 30 lbs/acre of a cover crop. For a cover crop use either grain oats (1 Jan to 31 Jul) or grain rye (1 Aug to 31 Dec).

Erosion Control & Revegetation; Grasses & Grass-like Species - Herbaceous Perennial

A biodiverse mix of warm and cool season grasses with forbs for maximum, sustainable biomass production. Mix formulations are subject to change without notice depending on the availability of existing and new products. While the formula may change, the guiding philosophy and function of the mix will not.

2 ERNST NATIVE BIOMASS MIX FOR STRIP MINES & GAS PRODUCTION SITES (25%)

DN-2

Ernst Native Habitat for Strip Mines Mix - ERNMX-111

Botanical Name	Common Name	Price/Lb
29.60 % <i>Andropogon gerardi</i> , 'Niagara'	Big Bluestem, 'Niagara'	12.62
25.00 % <i>Panicum virgatum</i> , 'Shelter'	Switchgrass, 'Shelter'	12.22
18.90 % <i>Sorghastrum nutans</i> , NY4 Ecotype	Indiangrass, NY4 Ecotype	15.29
17.00 % <i>Elymus virginicus</i> , Madison-NY Ecotype	Virginia Wildrye, Madison-NY Ecotype	10.16
3.00 % <i>Rudbeckia hirta</i>	Blackeyed Susan	31.20
2.00 % <i>Chamaecrista fasciculata</i> , PA Ecotype	Partridge Pea, PA Ecotype	7.20
2.00 % <i>Helopsis helianthoides</i> , PA Ecotype	Oxeye Sunflower, PA Ecotype	33.60
1.80 % <i>Desmodium canadense</i> , PA Ecotype	Showy Ticktrefoil, PA Ecotype	48.00
0.30 % <i>Monarda fistulosa</i> , Fort Indiantown Gap-PA Ecotype	Wild Bergamot, Fort Indiantown Gap-PA Ecotype	96.00
0.20 % <i>Asclepias syriaca</i>	Common Milkweed	96.00
0.10 % <i>Pycnanthemum tenuifolium</i>	Narrowleaf Mountainmint	168.00
0.10 % <i>Solidago canadensis</i> , PA Ecotype	Canada Goldenrod, PA Ecotype	240.00
100.00 %	Mix Price/Lb Bulk:	\$14.91

Seeding Rate: 20 lbs/acre with 30 lbs/acre of a cover crop. For a cover crop use either grain oats (1 Jan to 31 Jul) or grain rye (1 Aug to 31 Dec).

Erosion Control & Revegetation; Grasses & Grass-like Species - Herbaceous Perennial; Herbaceous Flowering Species - Herbaceous Perennial

A permanent meadow mix for wildlife cover and pollinator habitat on disturbed sites. Mix formulations are subject to change without notice depending on the availability of existing and new products. While the formula may change, the guiding philosophy and function of the mix will not.

3 ERNST NATIVE HABITAT FOR STRIP MINES MIX (25%)

DN-2

Flat Pea/Perennial Pea Mix (Naturalized) - ERNMX-112

Botanical Name	Common Name	Price/Lb
60.00 % <i>Lathyrus sylvestris</i> , Lathco	Flat Pea, Lathco	16.80
40.00 % <i>Lolium multiflorum</i>	Annual Ryegrass	1.20
100.00 %	Mix Price/Lb Bulk:	\$10.56

Seeding Rate: 25 lb per acre, or 1-1/2 lb per 1,000 sq ft (sold in a combo pak)

Cover Crops - Herbaceous Perennial Legume; Erosion Control & Revegetation

A durable legume cover mix for disturbed sites and steep slopes. Mix formulations are subject to change without notice depending on the availability of existing and new products. While the formula may change, the guiding philosophy and function of the mix will not.

4 FLAT PEA/PERENNIAL PEA MIX (15%)

DN-2

524 NLR LLC
9 NOVELTY LANE, UNIT 9B
ESSEX, CT 06426



567 VAUXHALL STREET EXTENSION - SUITE 311
WATERFORD, CT 06385 PHONE: (860)-663-1697
WWW.ALLPOINTSTECH.COM FAX: (860)-663-0935

CSC PERMIT SET

NO	DATE	REVISION
0	03/07/23	FOR FILING: KAM
1		
2		
3		
4		
5		
6		

DESIGN PROFESSIONAL OF RECORD

PROF: KEVIN A. MCCAFFERY, P.E.
COMP: ALL-POINTS TECHNOLOGY CORPORATION, P.C.
ADD: 567 VAUXHALL STREET
EXTENSION - SUITE 311
WATERFORD, CT 06385

OWNER: FIVE J, LLC

ADDRESS: 524 NEW LONDON ROAD
COLCHESTER, CT

SCRAPYARD SOLAR

SITE ADDRESS: 524 NEW LONDON ROAD
COLCHESTER, CT

APT FILING NUMBER: CT580160

DATE: 03/07/23
DRAWN BY: JAB
CHECKED BY: KAM

SHEET TITLE:

SITE DETAILS

SHEET NUMBER:

DN-2

