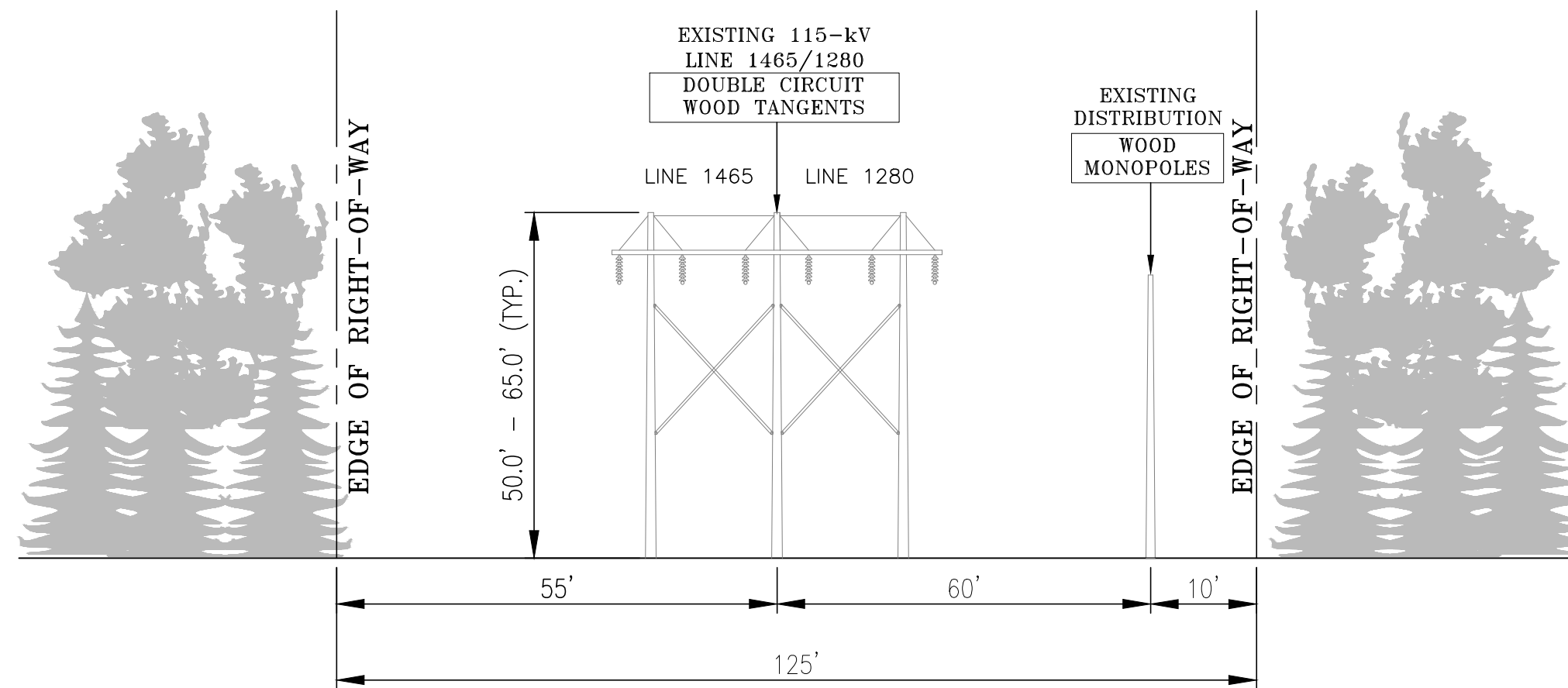


Attachment B

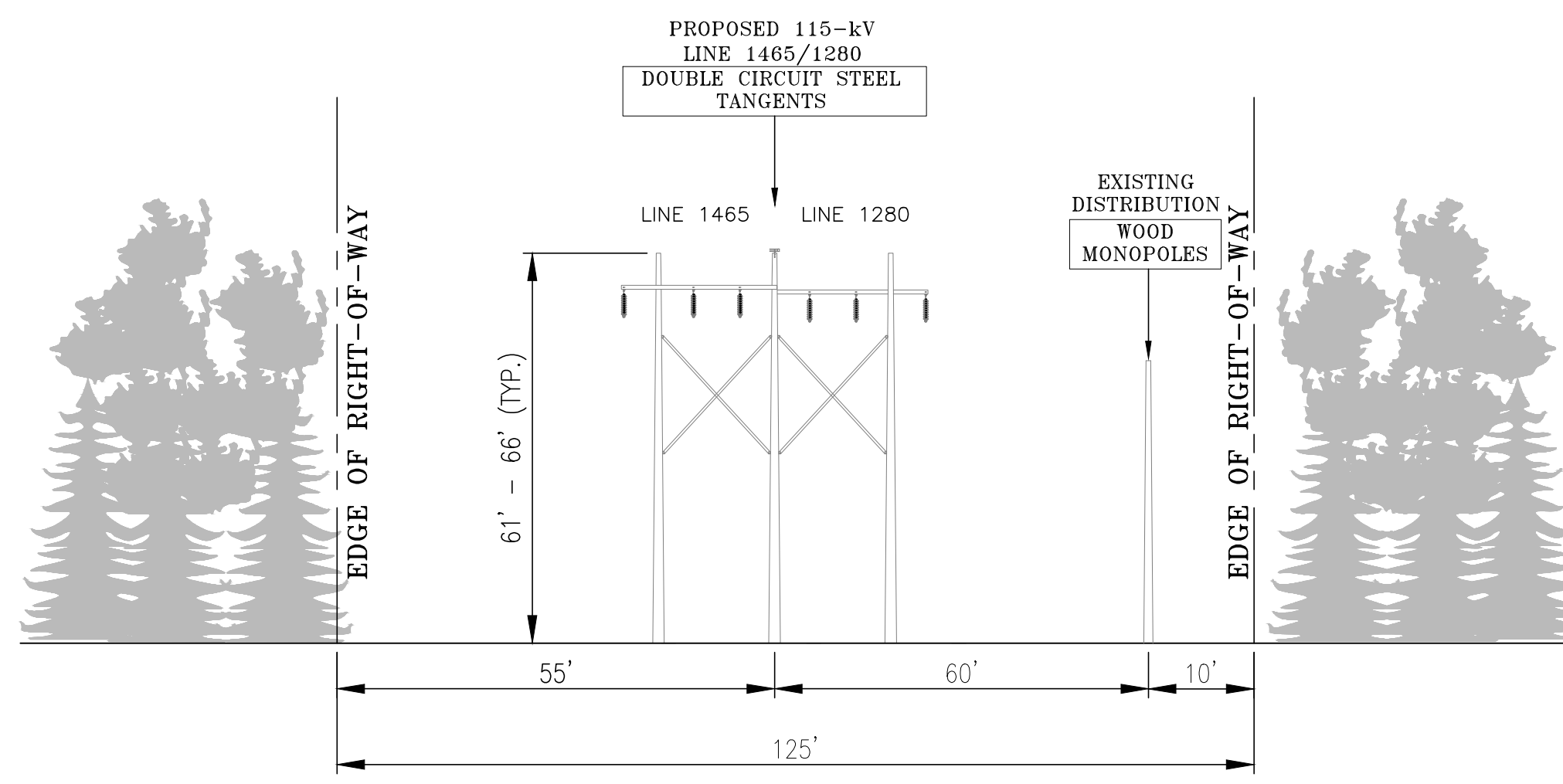
Ledyard Junction to Mystic Substation Upgrade Project

Cross Sections

*Page Left Intentionally Blank*



**EXISTING R.O.W. CONFIGURATION  
DOUBLE CIRCUIT WOOD TANGENTS  
LOOKING FROM MYSTIC SUBSTATION TO MYSTIC JCT  
SUBSTATION IN THE TOWN OF STONINGTON, CT  
4.6 MILES STR. 8467-8442**

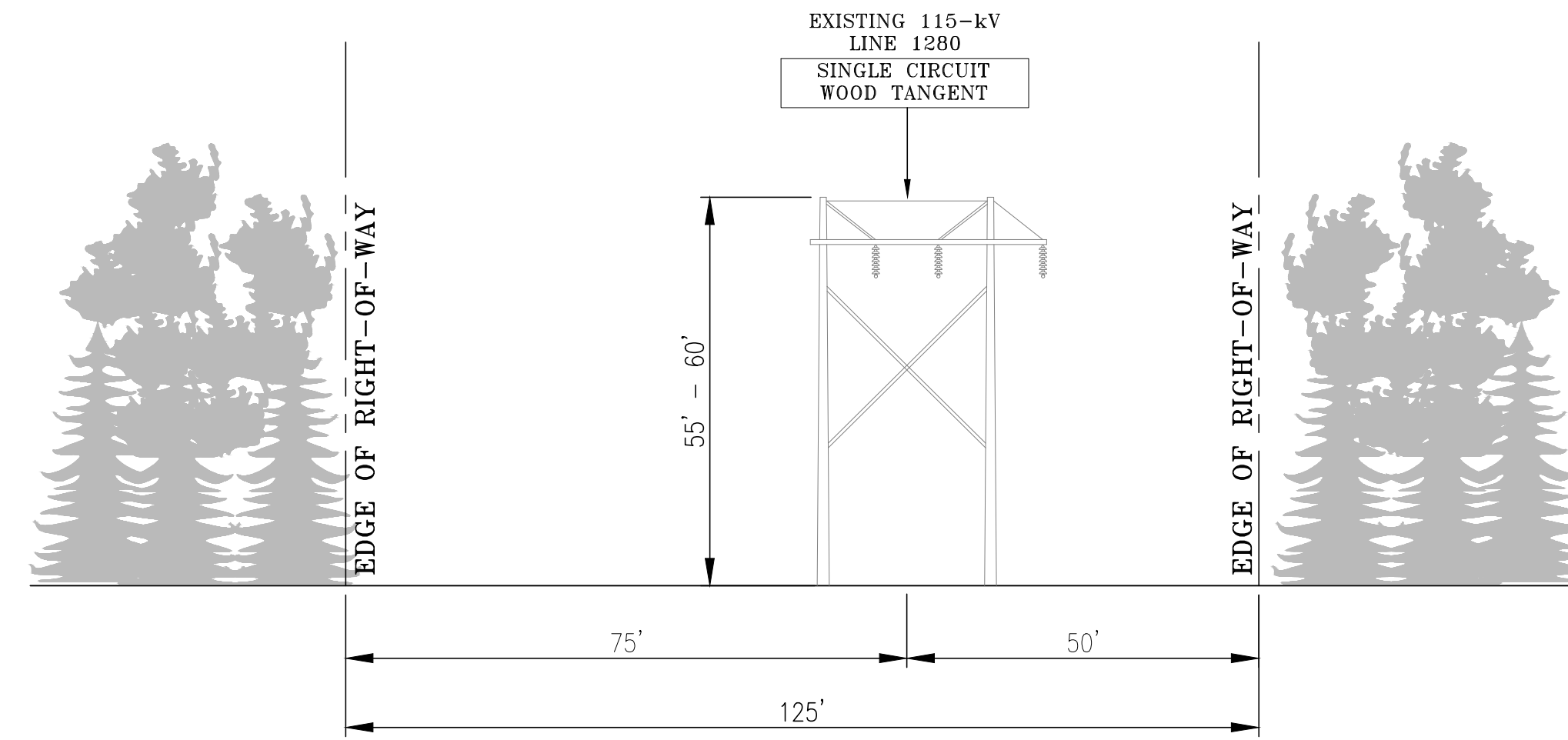


**PROPOSED R.O.W. CONFIGURATION  
DOUBLE CIRCUIT STEEL TANGENTS  
LOOKING FROM MYSTIC SUBSTATION TO MYSTIC JCT  
IN THE TOWN OF STONINGTON, CT  
4.6 MILES STR. 8467-8442**

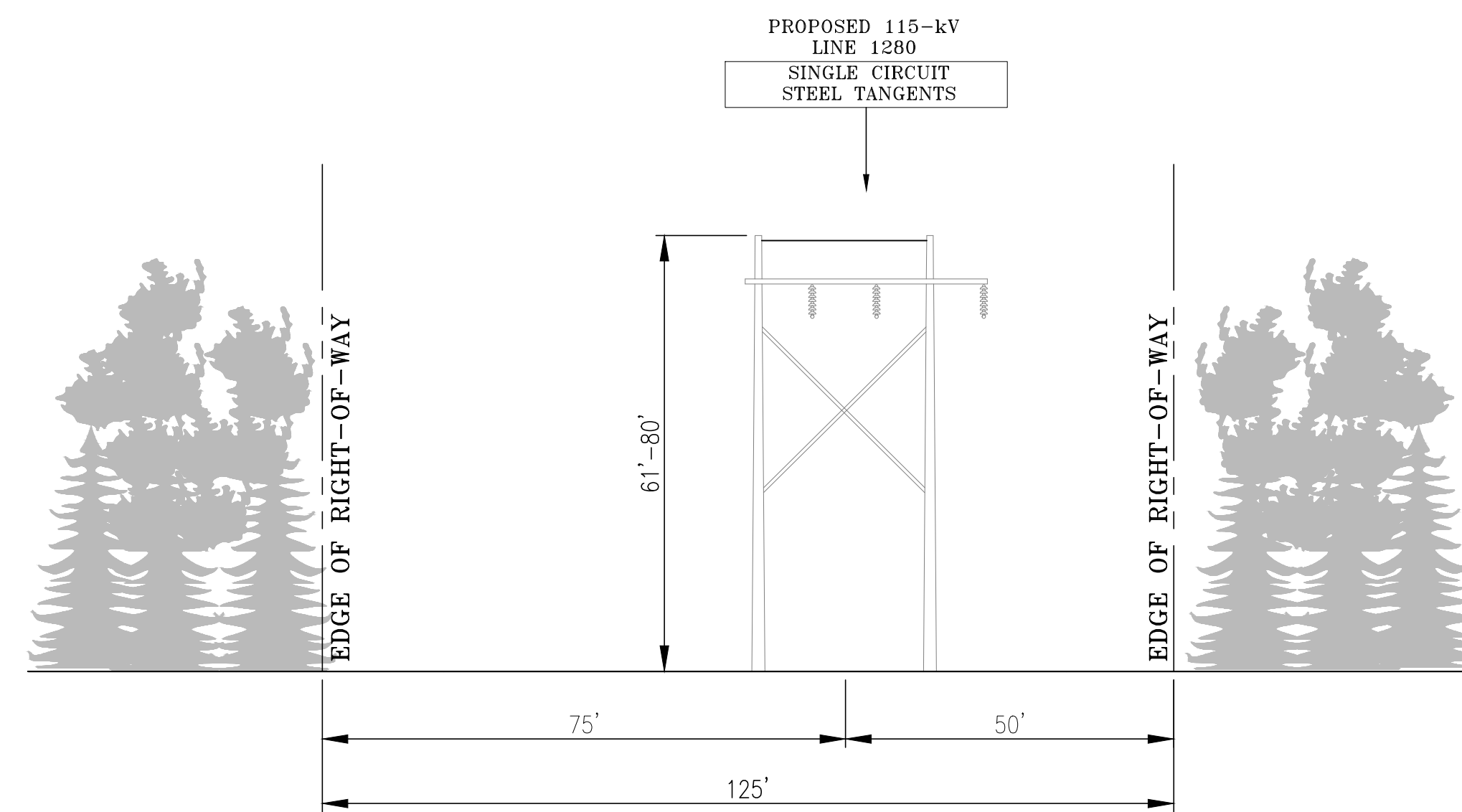
REVISIONS DURING CONSTRUCTION					
1	10/25/21	ISSUED FOR REVIEW		DRL	MEB
2	2/10/22	ISSUED FOR REVIEW		MMM	GEL




<b>MYSTIC S/S TO MYSTIC JCT 115-kV TRANSMISSION LINE 1280 RIGHT OF WAY CROSS SECTION STONINGTON, CONNECTICUT</b>					
BY	DRL	CHKD	MEB/TRC	APP	GEL/TRC
DATE	10/19/21	DATE	10/21/21	DATE	10/21/21
H-SCALE	N.T.S.	SIZE	D	FIELD BOOK & PAGES	
V-SCALE	N.T.S.	V.S.		R.E. DWG	
R.E. PROJ. NUMBER	40506601			DWG NO.	01182-85002p001



**EXISTING R.O.W. CONFIGURATION  
SINGLE CIRCUIT HORIZONTAL DESIGN  
LOOKING FROM MYSTIC JCT TO WHIPPLE JCT  
IN THE TOWN OF STONINGTON, GROTON, & LEDYARD, CT  
6.4 MILES BETWEEN STR. 8442 - 8387**



**PROPOSED R.O.W. CONFIGURATION  
SINGLE CIRCUIT HORIZONTAL DESIGN  
LOOKING FROM MYSTIC JCT TO WHIPPLE JCT  
IN THE TOWN OF STONINGTON, GROTON, & LEDYARD, CT  
6.4 MILES BETWEEN STR. 8442 - 8387**

REVISIONS DURING CONSTRUCTION				
1	10/22/21	ISSUED FOR REVIEW	DRL	MEB
2	2/10/22	ISSUED FOR REVIEW	MMM	GEL

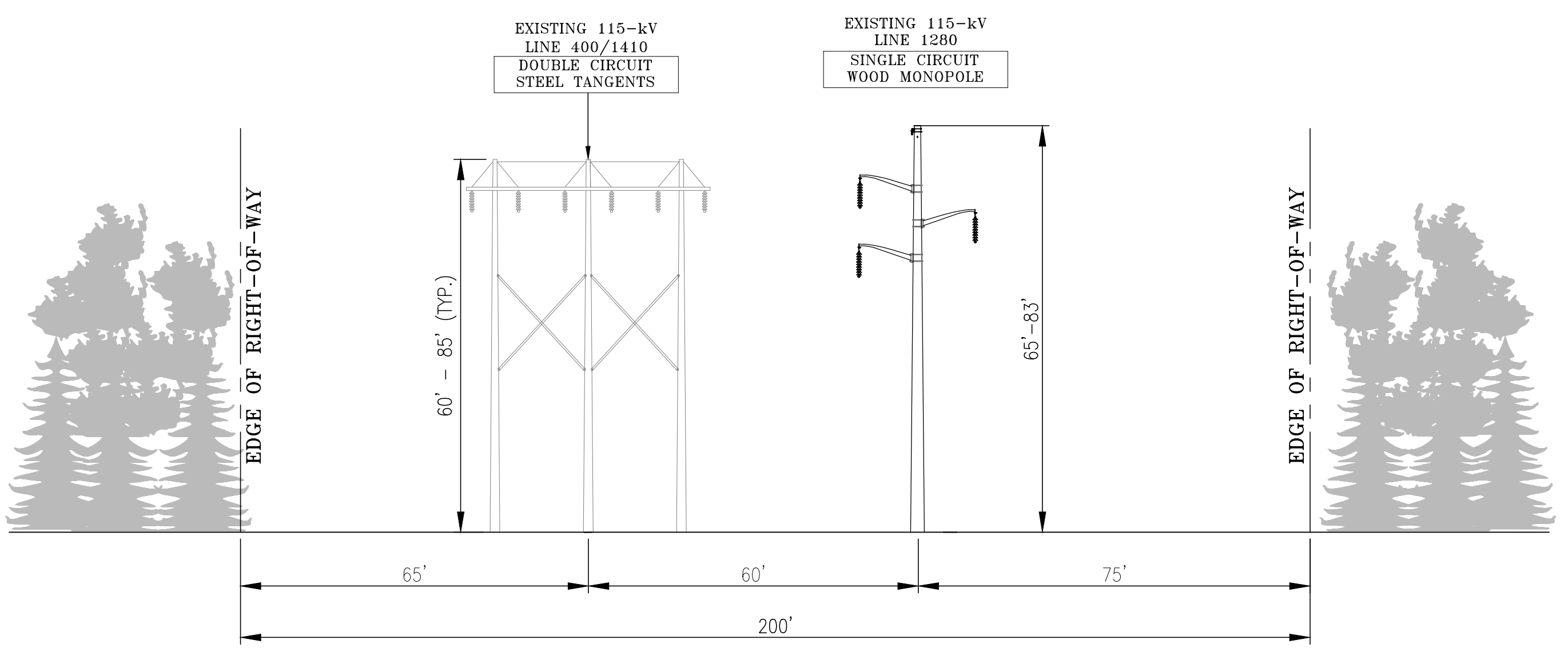


**MYSTIC JCT TO WHIPPLE JCT  
115-kV TRANSMISSION LINE 1280  
RIGHT OF WAY CROSS SECTION  
LEDYARD, CONNECTICUT**

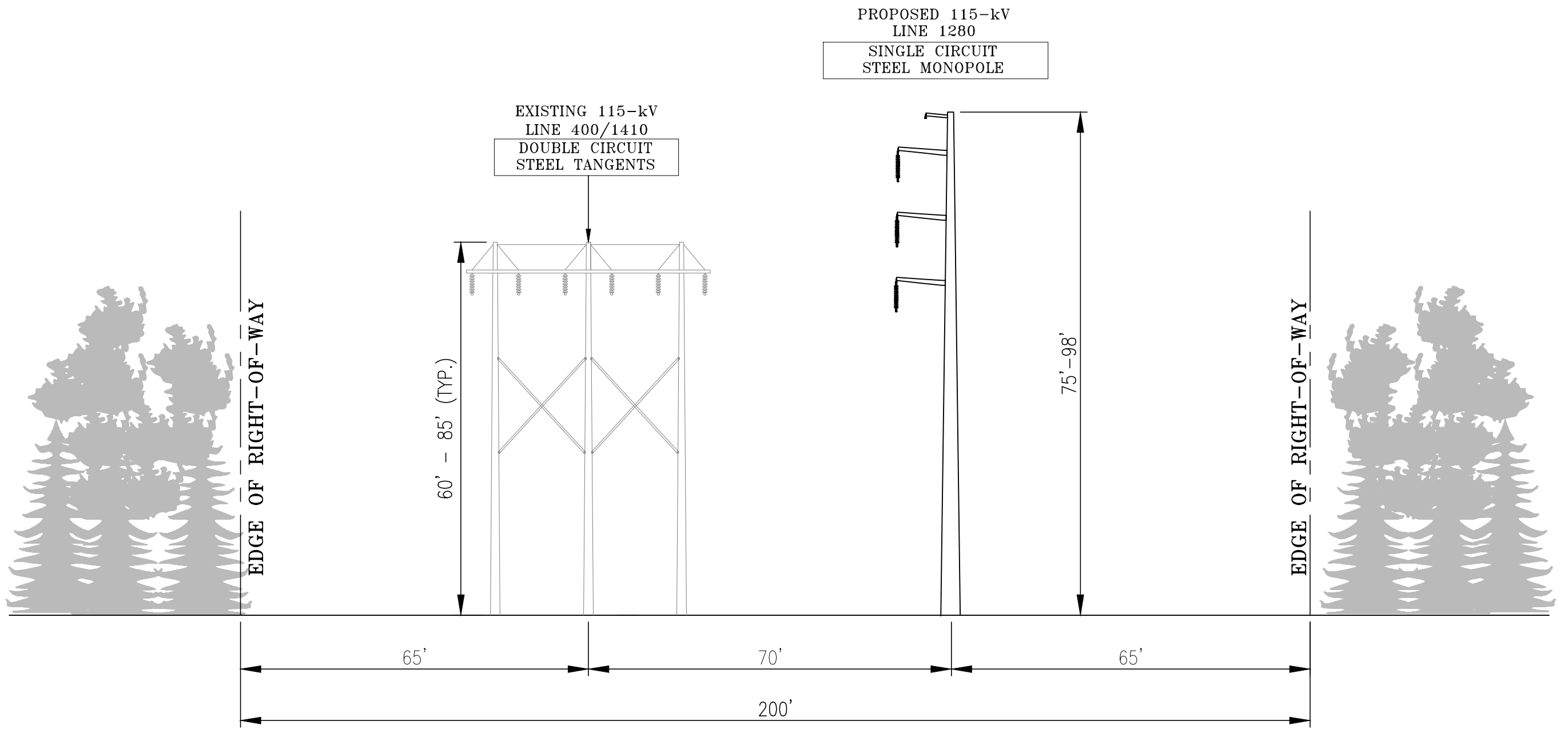
BY	DRL/TRC	CHKD	MEB/TRC	APP	MEB/TRC	APP	GEL/TRC
DATE	10/19/21	DATE	10/21/21	DATE	10/21/21	DATE	10/21/21
H-SCALE	N.T.S.	SIZE	D	FIELD BOOK & PAGES			
V-SCALE	N.T.S.	V.S.		R.E. DWG.			

NO.	DATE	AS BUILT REVISIONS	BY	CHK	APP	APP






**EXISTING R.O.W. CONFIGURATION**  
**DOUBLE CIRCUIT WOOD TANGENTS**  
**SINGLE CIRCUIT WOOD MONOPOLE**  
 LOOKING FROM BUDDINGTON S/S TO WHIPPLE JCT  
 IN THE TOWN OF LEDYARD, CT  
 1.1 MILES STR. 127-8387



**PROPOSED R.O.W. CONFIGURATION**  
**DOUBLE CIRCUIT WOOD TANGENTS**  
**SINGLE CIRCUIT STEEL MONOPOLE**  
 LOOKING FROM BUDDINGTON S/S TO WHIPPLE JCT  
 IN THE TOWN OF LEDYARD, CT  
 1.1 MILES STR. 127-8387

REVISIONS DURING CONSTRUCTION

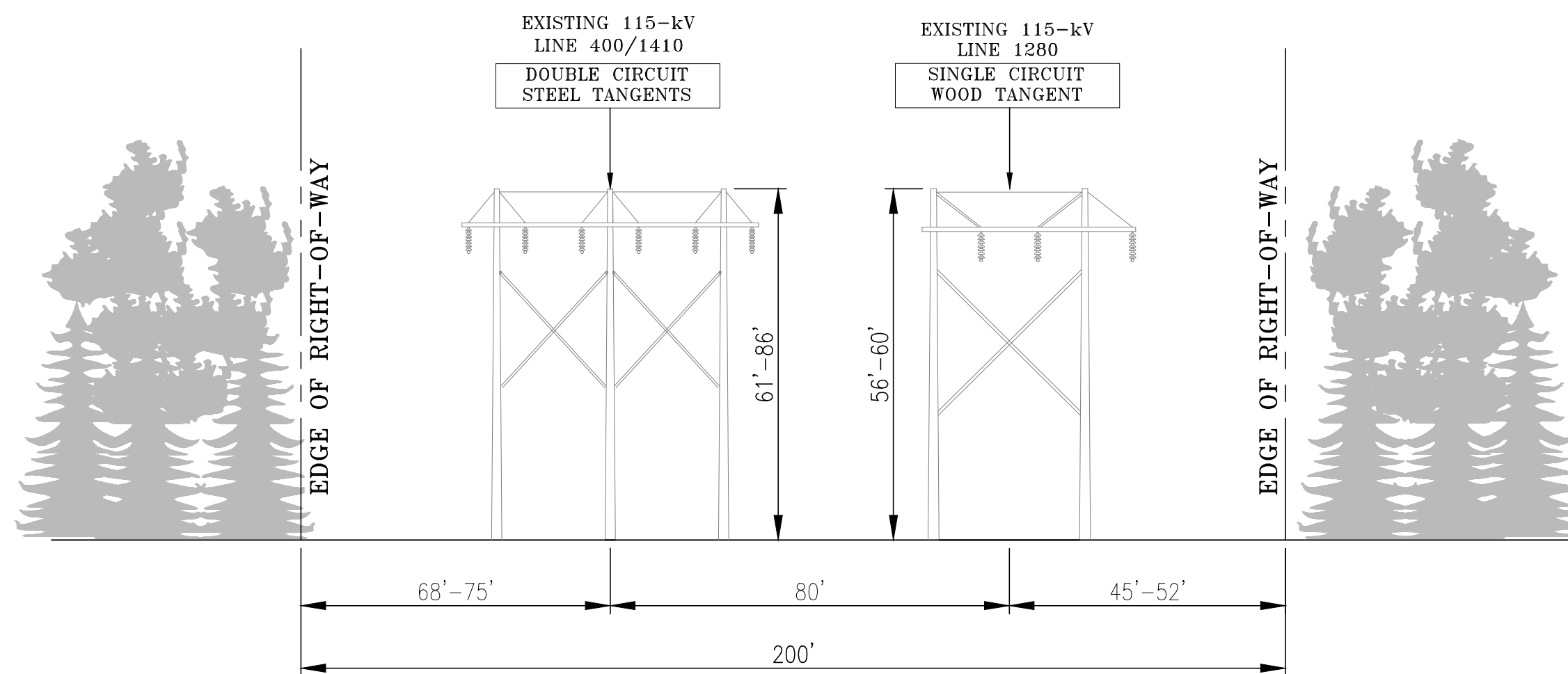
NO.	DATE	ISSUED FOR REVIEW	DRL	MEB
1	10/25/21	ISSUED FOR REVIEW		
2	02/10/22	ISSUED FOR REVIEW	MMM	GEL

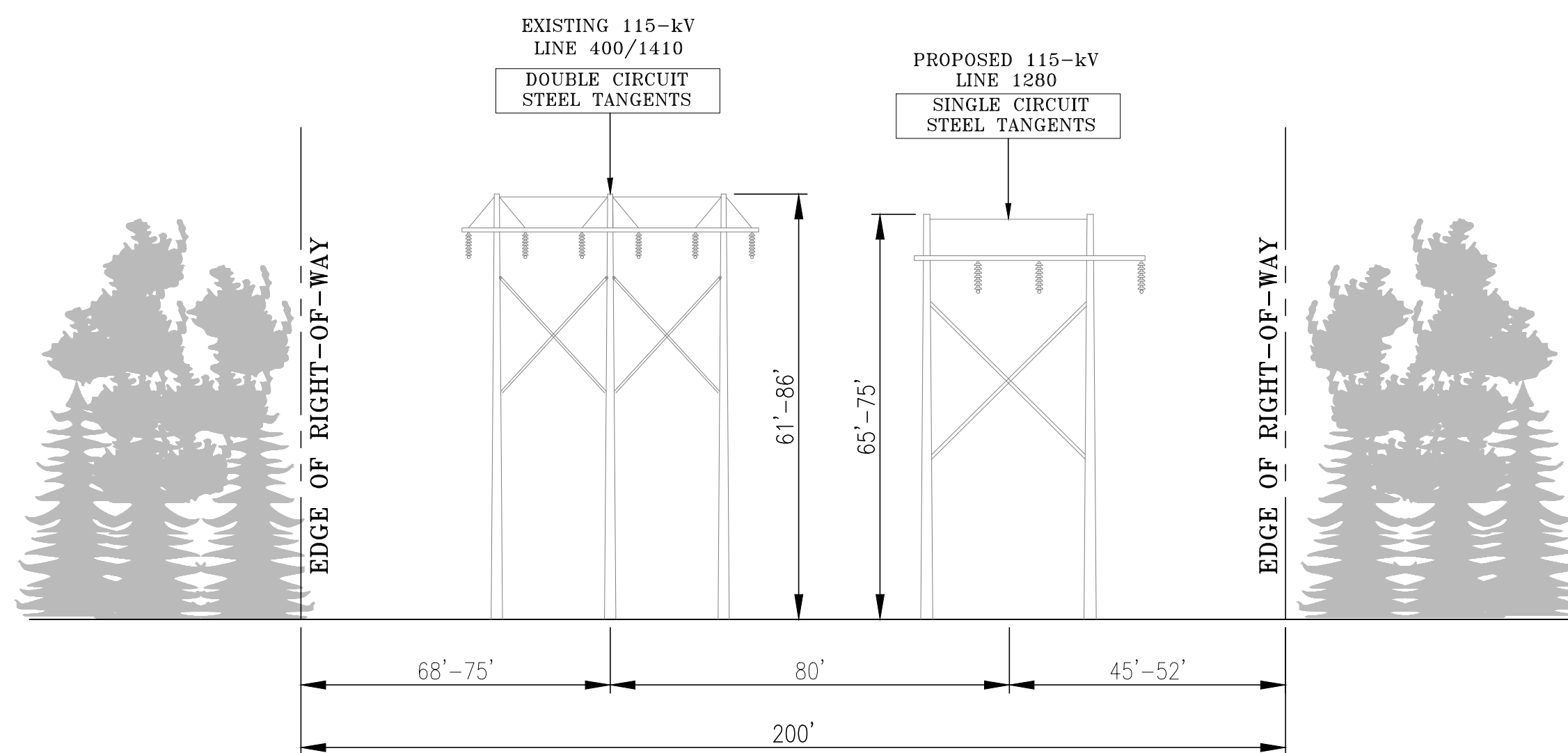
**EVERSOURCE ENERGY**

TITLE  
 WHIPPLE JCT TO BUDDINGTON S/S  
 115-kV TRANSMISSION LINE 1280  
 RIGHT OF WAY CROSS SECTION  
 LEDYARD, CONNECTICUT

BY	DRL/TRC	CHKD	MEB/TRC	APP	MEB/TRC	APP	GEL/TRC
DATE	10/19/21	DATE	10/21/21	DATE	10/21/21	DATE	10/21/21
H-SCALE	N.T.S.	SIZE	D	FIELD BOOK & PAGES			
V-SCALE	N.T.S.	VS.		R.E. DWG			
R.E. PROJ. NUMBER	40506601	DWG NO.		01122-85000p001			



**EXISTING R.O.W. CONFIGURATION  
SINGLE CIRCUIT HORIZONTAL DESIGN  
LOOKING FROM WHIPPLE JCT TO LEDYARD JCT  
IN THE TOWN OF LEDYARD, CT  
1.5 MILES BETWEEN STR. 8387 - 8370**



**PROPOSED R.O.W. CONFIGURATION  
NO ADDITIONAL RIGHT-OF-WAY REQUIRED  
SINGLE CIRCUIT HORIZONTAL DESIGN  
LOOKING FROM WHIPPLE JCT TO LEDYARD JCT  
IN THE TOWN OF LEDYARD, CT  
1.5 MILES BETWEEN STR. 8387 - 8370**

REVISIONS DURING CONSTRUCTION				
1	10/22/21	ISSUED FOR REVIEW	DRL	MEB
2	2/10/22	ISSUED FOR REVIEW	MMM	GEL

**EVERSOURCE**  
ENERGY

TITLE WHIPPLE JCT TO LEDYARD JCT 115-kV TRANSMISSION LINE 1280 RIGHT OF WAY CROSS SECTION LEDYARD, CONNECTICUT							
BY	DRL/TRC	CHKD	MEB/TRC	APP	MEB/TRC	APP	GEL/TRC
DATE	10/19/21	DATE	10/21/21	DATE	10/21/21	DATE	10/21/21
H-SCALE	N.T.S.	SIZE	D	FIELD BOOK & PAGES			
V-SCALE	N.T.S.	V.S.		R.E. DWG			
R.E. PROJ. NUMBER	40506601			DWG NO.	01032-85000p001		


# Attachment C

## List of Structure Replacements

*Page Left Intentionally Blank*

Circuit #	Str #	Existing		Proposed		
		Str Type	Above Ground Height (ft)	Str Type	Above Ground Height (ft)	Structure Height Change Above Ground (ft)
<b>ZONE 3</b>						
<b>Ledyard Jct to Whipple Jct</b>						
1280	8370	Wood H-Frame	61	Steel H-Frame	70	9
	8374		61		61	0
	8387		61		66	5
<b>Whipple Jct to Groton Town Line</b>						
1280	115	Wood Delta	72	Steel Vertical	79	7
	116		76.5		88.5	12
	117		67.5		79	11.5
	118		63		75	12
	119		63		84	21
	120		72		79	7
	121		67.5		75	7.5
	122		76.5		88.5	12
	123		85.5		98	12.5
	124		85.5		93.5	8
	125		76.5		93.5	17
	126		72		88.5	16.5
<b>Zone 3 Averages:</b>			<b>70.7</b>		<b>81.2</b>	<b>10.5</b>
<b>ZONE 4</b>						
<b>Whipple Jct to Mystic Jct</b>						
1280	8388	Wood H-Frame	56.5	Steel H-Frame	61	4.5
	8389		61		65.5	4.5
	8393		61		65.5	4.5
	8394		56.5		61	4.5
	8395		61		69.5	8.5
	8398		52		70	18
	8400		61		74.5	13.5
	8403		52		56.5	4.5
	8420		65.5		79	13.5
	8426		56.5		65.5	9
	8430		65.5		74.5	9
	8431		83.5		83.5	0
	8432		65.5		79	13.5
	8436		56.5		61	4.5
	8441		65.5		79	13.5
<b>Mystic Jct to Mystic SS</b>						
1280	8443-1	N/A		Steel Pole (ADSS)	22	N/A
	8443-2			30		
	8462	Wood H-Frame	70	Steel H-Frame (Double Circuit)	70	0
1465	8462A		70	8462 & 8462A TO BE CONVERTED TO TYPE DT*		
1280	8467		56.5	Steel H-Frame (Double Circuit)	65.5	9
1465	8467A		56.5	8467 & 8467A TO BE CONVERTED TO TYPE DT*		
<b>Zone 4 Averages:</b>			<b>61.7</b>		<b>69.4</b>	<b>7.7</b>
<b>Project Averages:</b>			<b>66.2</b>		<b>75.3</b>	<b>9.1</b>

\*Type DT = Double Tangent - Str. 8462A & 8467A will be removed

*Page Left Intentionally Blank*

## Attachment D

# Wetlands and Watercourses Report

*Page Left Intentionally Blank*





Biodiversity Studies • Wetland Delineation & Assessment • Habitat Management • GIS Mapping • Permitting • Forestry

## **Wetlands and Watercourses Delineation Report Eversource Eastern Connecticut Reliability Project Ledyard Junction to Mystic Upgrade Project**

**Prepared For:** Eversource Energy  
56 Prospect Street  
Hartford, CT 06103

**Project Location:** Ledyard, Groton and Stonington, Connecticut

**Date(s) of Investigations:** September through December, 2021

**Wetland/Watercourse Delineation Methodology:**

- Connecticut Inland Wetlands and Watercourses
- Connecticut Tidal Wetlands
- U.S. Army Corps of Engineers Federal Wetlands

The wetlands inspection was performed by:

Davison Environmental, LLC

A handwritten signature in blue ink that reads "Matthew Davison".

Matthew Davison  
*Professional Soil Scientist*  
*Professional Wetland Scientist*  
*Certified Professional in Erosion & Sediment Control*  
*CT Certified Forester*

### ATTACHMENTS

1. Wetland Photographs
2. Wetland Characteristic Summary Forms

## Introduction

Davison Environmental Connecticut Registered Soil Scientists and a Certified Professional Wetland Scientists Eric Davison and Matthew Davison delineated the Connecticut and Federal jurisdictional wetlands throughout September and October of 2021. The limits of the delineation area consisted of the 1280, 1465 and 400/1410 Transmission Lines right-of-way (ROW), referred to hereafter as the “Project area”.

The Project area is located in southeastern Connecticut in the Towns of Ledyard, Groton and Stonington. The Project limits run from Ledyard south and east through northern Groton and terminating in the village of Mystic in Stonington. The Project traverses multiple glacial till ridges and interspersing stream valleys. Ridge systems include Gungywamp Hill, Vinegar Hill and Quoketaug Hill, interspersed with the stream valleys and drainages of Ledyard Reservoir, Haley’s Brook, Whitford Brook and Pequotsepos Brook. From a regional perspective, the Project area lies within the northern limits of the *Long Island Sound Coastal Lowland* ecoregion near its northerly transition to the *Southern New England Coastal Plains and Hills*. The *Long Island Sound Coastal Lowlands* ecoregion is the coastal strip occurring in southern Connecticut and Rhode Island that borders Long Island Sound and Block Island Sound. It includes low elevation rolling coastal plain, tidal marshes, estuaries, sandy dunes and beaches, and rocky headlands. This ecoregion has one of the mildest climates of New England. The coastal hardwood forests contain black, red, and white oaks, hickories, and black cherry, often with dense thickets of greenbrier. Bedrock types are mostly granites, schist, and gneiss. Surface materials are mostly glacial till, with some stratified deposits in valleys. Soil patterns are complex and heterogeneous where the numerous, small, till-covered bedrock hills rise above the glacial outwash dominated valleys. Coarse-loamy and sandy, mesic Inceptisols and some Entisols are typical.

## Regulatory Requirements

The regulations governing the delineation of wetlands and watercourses at the site include Connecticut inland wetlands and Federal wetlands regulated by the U.S. Army Corp of Engineers (USACE). A summary of the regulatory language for each jurisdictional body are described below:

The Connecticut jurisdictional wetlands and watercourses delineation was conducted by a soil scientist according to the requirements of the Connecticut Inland Wetlands and Watercourses Act (P.A. 155). Inland wetlands include soil types designated as poorly drained, very poorly drained,

alluvial, and floodplain by the National Cooperative Soils Survey as may be amended from time to time, of the National Resources Conservation Service (NRCS). Watercourses means rivers, streams, brooks, waterways, lakes, ponds, marshes, swamps, bogs and all other bodies of water, natural or artificial, vernal or intermittent. Intermittent watercourses shall be delineated by a defined permanent channel and bank and the occurrence of two or more of the following characteristics: (A) *Evidence of scour or deposits of recent alluvium or detritus*, (B) *the presence of standing or flowing water for a duration longer than a particular storm incident*, and (C) *the presence of hydrophytic vegetation*.

Federal wetlands were delineated in accordance with the *Regional Supplement to the Corps of Engineers Wetland Delineation Manual: Northcentral and Northeast Region* (Version 2.0, January 2012). According to this method, three parameters must be satisfied for an area to be mapped as a wetland. These are wetland soils, hydrophytic vegetation, and wetland hydrology.

### Methods

Soils, vegetation and hydrology were examined per the aforementioned regulatory requirements. Along each wetland boundary, a hand auger was used to investigate the soil profiles to a minimum depth of 20 inches. This was necessary to determine the U.S. Department of Agriculture drainage class (per State requirements) as well as the presence of hydric soil indicators per the USACE requirements (e.g., reduced matrix, redoximorphic features). Soil profiles were reviewed approximately every 15-30 feet along the boundary, typically digging one hole on either side of the defining boundary to confirm the wetland limit. This information was coupled with observed hydrology (or the presence of hydrologic indicators) as well as the presence of hydrophytic vegetation to determine the final location of the placement of each wetland flag. As is typically the case with most Connecticut wetlands, the boundary of State and Federal jurisdictional wetlands was identical. Wetland boundaries were field demarcated with pink plastic flagging tape labeled "Wetland Delineation". The wetland flag locations were field located using a Trimble R1 GNSS Receiver capable of sub-meter accuracy.

### Results and Wetland Descriptions

In total, 55 wetlands and 19 watercourses were delineated in the Project area as summarized in Table 1 and illustrated on the Project mapping. Table 1 indicates the Map Sheet location, wetland vegetation type and hydrology observed.

**Table 1: Delineated Wetlands and Watercourses within the Eastern Connecticut Reliability Project Area Ledyard Junction to Mystic Upgrade Project**

Aerial Map Sheet No.	Wetland No. <sup>1</sup>	Dominant NWI Class <sup>2</sup>	Other NWI Classes	Dominant Water Regime	Associated Watercourse <sup>3</sup>	Associated Potential Vernal Pool <sup>4</sup>
1	1	PSS	PEM	Saturated-seepage	---	---
1	2	PSS	PEM	Saturated-seepage	---	---
1	3	PSS	PEM	Saturated-seepage	---	---
1	4	PSS	PFO	Seasonally Flooded	S1 (Intermittent)	VP1
1	5	PSS	PEM	Saturated-seepage	---	---
2	6	PSS	PEM	Saturated-seepage	---	---
2	7	PSS	PEM	Seasonally Flooded	---	VP2 and VP3
3	8	PSS	PEM	Saturated-seepage	---	---
3	9	PSS	PEM	Saturated-seepage	---	---
4	10	PSS	PEM	Seasonally Flooded	---	VP4 and VP5
4	11	PSS	PFO	Permanently Flooded	Thompson Brook (S2)	---
4	12	PSS	PEM	Saturated-perched	---	---
5	13	PSS	PEM	Seasonally Flooded	S3 (Intermittent)	---
5	14	PSS	PEM	Saturated-perched	---	---
5	15	PSS	PEM	Seasonally Flooded	S4 (Intermittent)	VP6
5	16	PSS	PEM	Saturated-seepage	---	---
5	17	PEM	PFO	Saturated-seepage	---	---

*Wetland and Watercourses Delineation Report  
Eversource Eastern Connecticut Reliability Project  
Ledyard Junction to Mystic Upgrade Project*

<b>Aerial Map Sheet No.</b>	<b>Wetland No.<sup>1</sup></b>	<b>Dominant NWI Class<sup>2</sup></b>	<b>Other NWI Classes</b>	<b>Dominant Water Regime</b>	<b>Associated Watercourse<sup>3</sup></b>	<b>Associated Potential Vernal Pool<sup>4</sup></b>
5	18	PEM	PSS	Saturated-seepage	S5 (Intermittent)	---
6	NA	POW	---	Seasonally Flooded	S6 (Intermittent)	---
6	NA	POW	---	Permanently Flooded	Thompson Brook (S7)	---
7	19	PEM	PSS	Saturated-seepage	---	---
7	20	PEM	PSS	Seasonally Flooded	S8 (Intermittent)	VP7
8	21	PEM	PSS	Permanently Flooded	S9 (Perennial)	VP8
8	22	PEM	PSS	Seasonally Flooded	S10 (Intermittent)	---
8	23	PFO	---	Saturated-perched	Great Brook (S11)	---
9	24	PSS	PFO	Saturated-perched	---	---
9	25	PEM	PSS	Saturated-seepage	---	---
9	26	PSS	PFO	Seasonally Flooded	---	VP9
10	27	PFO	PEM	Saturated-seepage	---	---
11	28	PEM	PSS	Saturated-seepage	---	---
11	29	PSS	PFO	Permanently Flooded	Haleys Brook (S12)	---
11	30	PEM	PSS	Seasonally Flooded	---	VP10
11	31	PEM	PFO	Seasonally Flooded	---	VP11 and VP12
12	32	PSS	PFO	Saturated-seepage	---	---
13	33	PSS	PEM	Seasonally Flooded	West Branch Red Brook (S13)	VP13
14	34	PSS	PFO	Seasonally Flooded	Red Brook (S14)	---

Wetland and Watercourses Delineation Report  
 Eversource Eastern Connecticut Reliability Project  
 Ledyard Junction to Mystic Upgrade Project

Aerial Map Sheet No.	Wetland No. <sup>1</sup>	Dominant NWI Class <sup>2</sup>	Other NWI Classes	Dominant Water Regime	Associated Watercourse <sup>3</sup>	Associated Potential Vernal Pool <sup>4</sup>
15	35	PSS	PEM	Seasonally Flooded	---	VP14
15	36	PFO	---	Saturated-seepage	---	---
15	37	PEM	---	Saturated-perched	---	---
15	38	PSS	PFO	Permanently Flooded	Whitford Brook (S15)	---
16	39	PEM	PFO	Saturated-seepage	---	---
16	NA	POW	---	Permanently Flooded	Mystic River (S16)	---
16	40	PEM	PFO	Saturated-seepage	---	---
16	NA	POW	---	Permanently Flooded	Mystic River (S17)	---
16	41	PSS	PFO	Seasonally Flooded	S18 (Intermittent)	---
17	42	PSS	---	Saturated-seepage	---	---
17	43	PSS	PFO	Seasonally Flooded	S19 (Intermittent)	---
17	44	PSS	PEM	Saturated-seepage	---	---
18	45	PSS	PEM	Seasonally Flooded	---	VP15 and VP16
19	46	PSS	PEM	Saturated-seepage	---	---
20	47	PFO	---	Saturated-seepage	---	---
20	48	PSS	PEM	Saturated-seepage	---	---
21	49	PSS	PEM	Saturated-seepage	---	---
21	50	PSS	PFO	Saturated-seepage	---	---
21	51	PSS	PEM	Saturated-seepage	---	---

*Wetland and Watercourses Delineation Report  
Eversource Eastern Connecticut Reliability Project  
Ledyard Junction to Mystic Upgrade Project*

<b>Aerial Map Sheet No.</b>	<b>Wetland No.<sup>1</sup></b>	<b>Dominant NWI Class<sup>2</sup></b>	<b>Other NWI Classes</b>	<b>Dominant Water Regime</b>	<b>Associated Watercourse<sup>3</sup></b>	<b>Associated Potential Vernal Pool<sup>4</sup></b>
21	52	PSS	PEM	Saturated-seepage	---	---
21	53	PSS	PEM	Saturated-seepage	---	---
22	54	PSS	PEM	Saturated-seepage	---	---
22	55	PSS	PEM	Seasonally Flooded	---	VP17

<sup>1</sup>Wetland No. refers to the number generated during the 2020 field surveys. This Wetland No. is keyed to those depicted on the 200 scale Aerial Maps (Attached to the Petition).

<sup>2</sup>Wetlands classified according to Cowardin et al 1979; PEM = Palustrine Emergent Wetland; PFO = Palustrine Forested Wetland; PSS = Palustrine Scrub-Shrub Wetland; POW = Palustrine Open Water.

<sup>3</sup>Associated Watercourse refers to the identification number assigned during the 2020 field surveys to identify watercourses.

<sup>4</sup> Vernal pools were identified in spring 2021 & 2022 by Davison Environmental

Wetlands consist predominantly of *groundwater slope wetlands* and *groundwater depression wetlands* situated in glacial till. The predominate wetland hydrology observed was *saturated*. Wetlands with a *saturated* hydrology have a substrate that is saturated for extended periods during the growing season, but standing water is rarely present. Wetlands with vernal pools have a *seasonally flooded* hydrology. Wetlands with a *seasonally flooded* hydrology are flooded for extended periods during the growing season, but usually no surface water by the end of the growing season

The dominant vegetative cover type is *palustrine scrub-shrub* (PSS), due to the fact that the ROW is maintained to exclude trees in favor of low woody shrubs and herbaceous vegetation. Most wetlands continue beyond the maintained ROW, where they are typically *palustrine forested* (PFO) communities. Due to the biogeography of the Project area along the northerly limits of the *Coastal Zone*, wetlands are predominantly headwater wetlands, many of which include 1<sup>st</sup> order perennial streams draining to coastal streams and rivers. The remainder of the wetlands are small locally isolated *groundwater depression* wetlands.

Wetland soil types observed consist of the Ridgebury, Leicester, and Whitman complex, the Leicester series, and the Timakwa and Natchaug complex. The Ridgebury, Leicester and Whitman complex, is an undifferentiated mapping unit consisting of two poorly drained (Ridgebury and Leicester) and one very poorly drained (Whitman) soil developed on glacial till in depressions and drainageways in uplands and valleys. Their use interpretations are very similar, and they typically are so intermingled on the landscape that separation is not practical. The Ridgebury and

Leicester series have a seasonal high water table at or near the surface (0-6") from fall through spring. They differ in that the Leicester soil has a more friable compact layer or hardpan, while the Ridgebury soils have a dense to very dense compact layer. The Whitman soil has a high water table for much of the year and may frequently be ponded.

The Raypol series consists of very deep, poorly drained soils formed in loamy over sandy and gravelly glacial outwash. They are nearly level to gently sloping soils in shallow drainageways and low-lying positions on terraces and plains. The soils have a water table at or near the surface much of the year.

The Timakwa series consists of very deep, very poorly drained soils formed in woody and herbaceous organic materials over sandy deposits in depressions on lake plains, outwash plains, till plains, moraines, and flood plains. These soils have moderate to very rapid permeability in the organic material and rapid to very rapid permeability in the sandy material.

The Natchaug series consists of very deep, very poorly drained soils formed in woody and herbaceous organic materials overlying loamy deposits in depressions on lake plains, outwash plains, till plains, moraines, and flood plains. These soils have moderate to very rapid permeability in the organic material and moderately slow to moderately rapid permeability in the loamy material.



***WETLAND PHOTOGRAPHS***

---





Photo 1: View of Wetland#1.



Photo 2: View of Wetland #2.





Photo 1: View of Wetland#3.



Photo 2: View of Wetland #4.





Photo 1: View of Wetland#6.



Photo 2: View of Wetland #9.





Photo 1: View of Wetland#10.



Photo 2: View of Wetland #11.





Photo 1: View of Wetland#12.



Photo 2: View of Wetland #13.





Photo 1: View of Wetland#14.



Photo 2: View of Wetland #15.





Photo 1: View of Wetland#16.



Photo 2: View of Wetland #17.





Photo 1: View of Wetland#18.



Photo 2: View of Wetland #19.





Photo 1: View of Wetland#20.



Photo 2: View of Wetland #21.





Photo 1: View of Wetland#22.



Photo 2: View of Wetland #25.





Photo 1: View of Wetland#26.



Photo 2: View of Wetland #27.





Photo 1: View of Wetland#28.



Photo 2: View of Wetland #29.





Photo 1: View of Wetland#33.



Photo 2: View of Wetland #34.





Photo 1: View of Wetland#38.



Photo 2: View of Wetland #40.





Photo 1: View of Wetland#41.



Photo 2: View of Wetland #45.





Photo 1: View of Wetland#46.



Photo 2: View of Wetland #48.





Photo 1: View of Wetland#49.



Photo 2: View of Wetland #50.





Photo 1: View of Wetland#51.



Photo 2: View of Wetland #52.





Photo 3: View of wetland #54.



Photo 4: View of wetland #55.

***WETLAND DELINEATION FIELD FORMS***

---

## Wetland Characteristics Summary Form

Wetland I.D.:	1
---------------	---

### WETLAND HYDROLOGY:

Intermittently Flooded <input type="checkbox"/>	Artificially Flooded <input type="checkbox"/>	Permanently Flooded <input type="checkbox"/>
Semipermanently Flooded <input type="checkbox"/>	Seasonally Flooded <input type="checkbox"/>	Temporarily Flooded <input type="checkbox"/>
Permanently Saturated <input type="checkbox"/>	Saturated/seepage <input checked="" type="checkbox"/>	Saturated/perched <input type="checkbox"/>
Comments: None		

### WETLAND TYPE:

Emergent <input checked="" type="checkbox"/>	Scrub-shrub <input checked="" type="checkbox"/>	Forested <input type="checkbox"/>
Open Water <input type="checkbox"/>	Disturbed <input type="checkbox"/>	Wet Meadow <input type="checkbox"/>
Comments:		

### WATERCOURSE TYPE:

Perennial <input type="checkbox"/>	Intermittent <input type="checkbox"/>	Ephemeral <input type="checkbox"/>
Watercourse Name:		
Comments:		

### SPECIAL AQUATIC HABITAT:

Vernal Pool: Yes <input type="checkbox"/> No <input checked="" type="checkbox"/> Potential <input type="checkbox"/>	Other <input type="checkbox"/>
Vernal Pool Habitat Type: None	
Comments: None	

### WETLAND SOIL TYPE (s):

Soil Types: Ridgebury, Leicester and Whitman complex
--

### DOMINANT PLANTS:

Common Reed* (Phragmites australis)	
Poison Ivy (Toxicodendron radicans)	
Common Grapevine (Vitis vinifera)	
Red Maple (Acer rubrum)	
Elderberry (Sambucus canadensis)	
Sensitive Fern (Onoclea sensibilis)	

\* denotes Connecticut Invasive Species Council invasive plant species

### GENERAL COMMENTS:

--

## Wetland Characteristics Summary Form

Wetland I.D.:	2
---------------	---

### WETLAND HYDROLOGY:

Intermittently Flooded <input type="checkbox"/>	Artificially Flooded <input type="checkbox"/>	Permanently Flooded <input type="checkbox"/>
Semipermanently Flooded <input type="checkbox"/>	Seasonally Flooded <input type="checkbox"/>	Temporarily Flooded <input type="checkbox"/>
Permanently Saturated <input type="checkbox"/>	Saturated/seepage <input checked="" type="checkbox"/>	Saturated/perched <input type="checkbox"/>
Comments: None		

### WETLAND TYPE:

Emergent <input checked="" type="checkbox"/>	Scrub-shrub <input checked="" type="checkbox"/>	Forested <input type="checkbox"/>
Open Water <input type="checkbox"/>	Disturbed <input type="checkbox"/>	Wet Meadow <input type="checkbox"/>
Comments:		

### WATERCOURSE TYPE:

Perennial <input type="checkbox"/>	Intermittent <input type="checkbox"/>	Ephemeral <input type="checkbox"/>
Watercourse Name:		
Comments:		

### SPECIAL AQUATIC HABITAT:

Vernal Pool : Yes <input type="checkbox"/> No <input checked="" type="checkbox"/> Potential <input type="checkbox"/>	Other <input type="checkbox"/>
Vernal Pool Habitat Type: None	
Comments: None	

### WETLAND SOIL TYPE (s):

Soil Types: Ridgebury, Leicester and Whitman complex
--

### DOMINANT PLANTS:

Common Reed* (Phragmites australis)	
Multiflora Rose* (Rosa multiflora)	
Common Grapevine (Vitis vinifera)	
Highbush Blueberry (Vaccinium corymbosum)	
Poison Ivy (Toxicodendron radicans)	
Soft Rush (Juncus effuses)	

\* denotes Connecticut Invasive Species Council invasive plant species

### GENERAL COMMENTS:

--



### Wetland Characteristics Summary Form

Wetland I.D.:	3
---------------	---

**WETLAND HYDROLOGY:**

Intermittently Flooded <input type="checkbox"/>	Artificially Flooded <input type="checkbox"/>	Permanently Flooded <input type="checkbox"/>
Semipermanently Flooded <input type="checkbox"/>	Seasonally Flooded <input type="checkbox"/>	Temporarily Flooded <input type="checkbox"/>
Permanently Saturated <input type="checkbox"/>	Saturated/seepage <input checked="" type="checkbox"/>	Saturated/perched <input type="checkbox"/>
Comments: None		

**WETLAND TYPE:**

Emergent <input checked="" type="checkbox"/>	Scrub-shrub <input checked="" type="checkbox"/>	Forested <input type="checkbox"/>
Open Water <input type="checkbox"/>	Disturbed <input type="checkbox"/>	Wet Meadow <input type="checkbox"/>
Comments:		

**WATERCOURSE TYPE:**

Perennial <input type="checkbox"/>	Intermittent <input type="checkbox"/>	Ephemeral <input type="checkbox"/>
Watercourse Name:		
Comments:		

**SPECIAL AQUATIC HABITAT:**

Vernal Pool : Yes <input type="checkbox"/> No <input checked="" type="checkbox"/> Potential <input type="checkbox"/>	Other <input type="checkbox"/>
Vernal Pool Habitat Type: None	
Comments: None	

**WETLAND SOIL TYPE (s):**

Soil Types: Charlton-Chatfield Complex
--

**DOMINANT PLANTS:**

Common Reed* (Phragmites australis)	
Joe Pye Weed (Eupatorium maculatum)	
Common Grapevine (Vitis vinifera)	
Skunk Cabbage (Symplocarpus foetidus)	
Poison Ivy (Toxicodendron radicans)	
Sensitive Fern (Onoclea sensibilis)	

\* denotes Connecticut Invasive Species Council invasive plant species

**GENERAL COMMENTS:**

--



**Wetland Characteristics Summary Form**

Wetland I.D.:	4
---------------	---

**WETLAND HYDROLOGY:**

Intermittently Flooded <input type="checkbox"/>	Artificially Flooded <input type="checkbox"/>	Permanently Flooded <input type="checkbox"/>
Semipermanently Flooded <input type="checkbox"/>	Seasonally Flooded <input checked="" type="checkbox"/>	Temporarily Flooded <input type="checkbox"/>
Permanently Saturated <input type="checkbox"/>	Saturated/seepage <input checked="" type="checkbox"/>	Saturated/perched <input type="checkbox"/>
Comments: None		

**WETLAND TYPE:**

Emergent <input type="checkbox"/>	Scrub-shrub <input checked="" type="checkbox"/>	Forested <input checked="" type="checkbox"/>
Open Water <input type="checkbox"/>	Disturbed <input type="checkbox"/>	Wet Meadow <input type="checkbox"/>
Comments:		

**WATERCOURSE TYPE:**

Perennial <input type="checkbox"/>	Intermittent <input checked="" type="checkbox"/>	Ephemeral <input type="checkbox"/>
Watercourse Name: Unnamed		
Comments: S1		

**SPECIAL AQUATIC HABITAT:**

Vernal Pool : Yes <input checked="" type="checkbox"/> No <input type="checkbox"/> Potential <input type="checkbox"/>	Other <input type="checkbox"/>
Vernal Pool Habitat Type: Cryptic	
Comments: VP1	

**WETLAND SOIL TYPE (s):**

Soil Types: Ridgebury, Leicester and Whitman complex
--

**DOMINANT PLANTS:**

Common Reed* (Phragmites australis)	
Sweet Pepperbush (Clethra alnifolia)	
Highbush Blueberry (Vaccinium corymbosum)	
Red Maple (Acer rubrum)	
Poison Ivy (Toxicodendron radicans)	
Greenbrier (Smilax rotundifolia)	

\* denotes Connecticut Invasive Species Council invasive plant species

**GENERAL COMMENTS:**

--

## Wetland Characteristics Summary Form

Wetland I.D.:	5
---------------	---

### WETLAND HYDROLOGY:

Intermittently Flooded <input type="checkbox"/>	Artificially Flooded <input type="checkbox"/>	Permanently Flooded <input type="checkbox"/>
Semipermanently Flooded <input type="checkbox"/>	Seasonally Flooded <input type="checkbox"/>	Temporarily Flooded <input type="checkbox"/>
Permanently Saturated <input type="checkbox"/>	Saturated/seepage <input checked="" type="checkbox"/>	Saturated/perched <input type="checkbox"/>
Comments: None		

### WETLAND TYPE:

Emergent <input checked="" type="checkbox"/>	Scrub-shrub <input checked="" type="checkbox"/>	Forested <input type="checkbox"/>
Open Water <input type="checkbox"/>	Disturbed <input type="checkbox"/>	Wet Meadow <input type="checkbox"/>
Comments:		

### WATERCOURSE TYPE:

Perennial <input type="checkbox"/>	Intermittent <input type="checkbox"/>	Ephemeral <input type="checkbox"/>
Watercourse Name: None		
Comments: None		

### SPECIAL AQUATIC HABITAT:

Vernal Pool: Yes <input type="checkbox"/> No <input checked="" type="checkbox"/> Potential <input type="checkbox"/>	Other <input type="checkbox"/>
Vernal Pool Habitat Type: None	
Comments: None	

### WETLAND SOIL TYPE (s):

Soil Types: Ridgebury, Leicester and Whitman complex
--

### DOMINANT PLANTS:

Common Reed* (Phragmites australis)	
Sweet Pepperbush (Clethra alnifolia)	
Highbush Blueberry (Vaccinium corymbosum)	
Sensitive Fern (Onoclea sensibilis)	
Poison Ivy (Toxicodendron radicans)	
Greenbrier (Smilax rotundifolia)	

\* denotes Connecticut Invasive Species Council invasive plant species

### GENERAL COMMENTS:

--



### Wetland Characteristics Summary Form

Wetland I.D.:	6
---------------	---

**WETLAND HYDROLOGY:**

Intermittently Flooded <input type="checkbox"/>	Artificially Flooded <input type="checkbox"/>	Permanently Flooded <input type="checkbox"/>
Semipermanently Flooded <input type="checkbox"/>	Seasonally Flooded <input type="checkbox"/>	Temporarily Flooded <input type="checkbox"/>
Permanently Saturated <input type="checkbox"/>	Saturated/seepage <input checked="" type="checkbox"/>	Saturated/perched <input type="checkbox"/>
Comments: None		

**WETLAND TYPE:**

Emergent <input checked="" type="checkbox"/>	Scrub-shrub <input checked="" type="checkbox"/>	Forested <input type="checkbox"/>
Open Water <input type="checkbox"/>	Disturbed <input type="checkbox"/>	Wet Meadow <input type="checkbox"/>
Comments:		

**WATERCOURSE TYPE:**

Perennial <input type="checkbox"/>	Intermittent <input type="checkbox"/>	Ephemeral <input type="checkbox"/>
Watercourse Name: None		
Comments: None		

**SPECIAL AQUATIC HABITAT:**

Vernal Pool : Yes <input type="checkbox"/> No <input checked="" type="checkbox"/> Potential <input type="checkbox"/>	Other <input type="checkbox"/>
Vernal Pool Habitat Type: None	
Comments: None	

**WETLAND SOIL TYPE (s):**

Soil Types: Ridgebury, Leicester and Whitman complex
--

**DOMINANT PLANTS:**

Common Reed* (Phragmites australis)	Jewelweed (Impatiens capensis)
Sweet Pepperbush (Clethra alnifolia)	
Highbush Blueberry (Vaccinium corymbosum)	
Sensitive Fern (Onoclea sensibilis)	
Poison Ivy (Toxicodendron radicans)	
Multiflora Rose* (Rosa multiflora)	

\* denotes Connecticut Invasive Species Council invasive plant species

**GENERAL COMMENTS:**

--

### Wetland Characteristics Summary Form

Wetland I.D.:	7
---------------	---

**WETLAND HYDROLOGY:**

Intermittently Flooded <input type="checkbox"/>	Artificially Flooded <input type="checkbox"/>	Permanently Flooded <input type="checkbox"/>
Semipermanently Flooded <input type="checkbox"/>	Seasonally Flooded <input checked="" type="checkbox"/>	Temporarily Flooded <input type="checkbox"/>
Permanently Saturated <input type="checkbox"/>	Saturated/seepage <input checked="" type="checkbox"/>	Saturated/perched <input type="checkbox"/>
Comments: None		

**WETLAND TYPE:**

Emergent <input checked="" type="checkbox"/>	Scrub-shrub <input checked="" type="checkbox"/>	Forested <input type="checkbox"/>
Open Water <input type="checkbox"/>	Disturbed <input type="checkbox"/>	Wet Meadow <input type="checkbox"/>
Comments:		

**WATERCOURSE TYPE:**

Perennial <input type="checkbox"/>	Intermittent <input type="checkbox"/>	Ephemeral <input type="checkbox"/>
Watercourse Name: None		
Comments: None		

**SPECIAL AQUATIC HABITAT:**

Vernal Pool : Yes <input checked="" type="checkbox"/> No <input type="checkbox"/> Potential <input type="checkbox"/>	Other <input type="checkbox"/>
Vernal Pool Habitat Type: Cryptic	
Comments: VP2 and VP3	

**WETLAND SOIL TYPE (s):**

Soil Types: Canton and Charlton fine sandy loams
--

**DOMINANT PLANTS:**

Common Reed* (Phragmites australis)	
Sweet Pepperbush (Clethera alnifolia)	
Highbush Blueberry (Vaccinium corymbosum)	
Sensitive Fern (Onoclea sensibilis)	
Poison Ivy (Toxicodendron radicans)	
Multiflora Rose* (Rosa multiflora)	

*\* denotes Connecticut Invasive Species Council invasive plant species*

**GENERAL COMMENTS:**



### Wetland Characteristics Summary Form

Wetland I.D.:	8
---------------	---

**WETLAND HYDROLOGY:**

Intermittently Flooded <input type="checkbox"/>	Artificially Flooded <input type="checkbox"/>	Permanently Flooded <input type="checkbox"/>
Semipermanently Flooded <input type="checkbox"/>	Seasonally Flooded <input type="checkbox"/>	Temporarily Flooded <input type="checkbox"/>
Permanently Saturated <input type="checkbox"/>	Saturated/seepage <input checked="" type="checkbox"/>	Saturated/perched <input type="checkbox"/>
Comments: None		

**WETLAND TYPE:**

Emergent <input checked="" type="checkbox"/>	Scrub-shrub <input checked="" type="checkbox"/>	Forested <input type="checkbox"/>
Open Water <input type="checkbox"/>	Disturbed <input type="checkbox"/>	Wet Meadow <input type="checkbox"/>
Comments:		

**WATERCOURSE TYPE:**

Perennial <input type="checkbox"/>	Intermittent <input type="checkbox"/>	Ephemeral <input type="checkbox"/>
Watercourse Name: None		
Comments: None		

**SPECIAL AQUATIC HABITAT:**

Vernal Pool: Yes <input type="checkbox"/> No <input checked="" type="checkbox"/> Potential <input type="checkbox"/>	Other <input type="checkbox"/>
Vernal Pool Habitat Type: None	
Comments: None	

**WETLAND SOIL TYPE (s):**

Soil Types: Raypol
--------------------

**DOMINANT PLANTS:**

Common Reed* (Phragmites australis)	
Goldenrod (Solidago sp.)	
Highbush Blueberry (Vaccinium corymbosum)	
Sensitive Fern (Onoclea sensibilis)	
Multiflora Rose* (Rosa multiflora)	

\* denotes Connecticut Invasive Species Council invasive plant species

**GENERAL COMMENTS:**

--

### Wetland Characteristics Summary Form

Wetland I.D.:	9
---------------	---

**WETLAND HYDROLOGY:**

Intermittently Flooded <input type="checkbox"/>	Artificially Flooded <input type="checkbox"/>	Permanently Flooded <input type="checkbox"/>
Semipermanently Flooded <input type="checkbox"/>	Seasonally Flooded <input type="checkbox"/>	Temporarily Flooded <input type="checkbox"/>
Permanently Saturated <input type="checkbox"/>	Saturated/seepage <input checked="" type="checkbox"/>	Saturated/perched <input type="checkbox"/>
Comments: None		

**WETLAND TYPE:**

Emergent <input checked="" type="checkbox"/>	Scrub-shrub <input checked="" type="checkbox"/>	Forested <input type="checkbox"/>
Open Water <input type="checkbox"/>	Disturbed <input type="checkbox"/>	Wet Meadow <input type="checkbox"/>
Comments:		

**WATERCOURSE TYPE:**

Perennial <input type="checkbox"/>	Intermittent <input type="checkbox"/>	Ephemeral <input type="checkbox"/>
Watercourse Name: None		
Comments: None		

**SPECIAL AQUATIC HABITAT:**

Vernal Pool: Yes <input type="checkbox"/> No <input checked="" type="checkbox"/> Potential <input type="checkbox"/>	Other <input type="checkbox"/>
Vernal Pool Habitat Type: None	
Comments: None	

**WETLAND SOIL TYPE (s):**

Soil Types: Raypol
--------------------

**DOMINANT PLANTS:**

Common Reed* (Phragmites australis)	
Greenbriar (Smilax rotundifolia)	
Highbush Blueberry (Vaccinium corymbosum)	
Sensitive Fern (Onoclea sensibilis)	
Poison Ivy (Toxicodendron radicans)	
Multiflora Rose* (Rosa multiflora)	

\* denotes Connecticut Invasive Species Council invasive plant species

**GENERAL COMMENTS:**

--



## Wetland Characteristics Summary Form

Wetland I.D.:	10
---------------	----

**WETLAND HYDROLOGY:**

Intermittently Flooded <input type="checkbox"/>	Artificially Flooded <input type="checkbox"/>	Permanently Flooded <input type="checkbox"/>
Semipermanently Flooded <input type="checkbox"/>	Seasonally Flooded <input checked="" type="checkbox"/>	Temporarily Flooded <input type="checkbox"/>
Permanently Saturated <input type="checkbox"/>	Saturated/seepage <input checked="" type="checkbox"/>	Saturated/perched <input type="checkbox"/>
Comments: None		

**WETLAND TYPE:**

Emergent <input checked="" type="checkbox"/>	Scrub-shrub <input checked="" type="checkbox"/>	Forested <input type="checkbox"/>
Open Water <input type="checkbox"/>	Disturbed <input type="checkbox"/>	Wet Meadow <input type="checkbox"/>
Comments:		

**WATERCOURSE TYPE:**

Perennial <input type="checkbox"/>	Intermittent <input type="checkbox"/>	Ephemeral <input type="checkbox"/>
Watercourse Name: None		
Comments: None		

**SPECIAL AQUATIC HABITAT:**

Vernal Pool: Yes <input checked="" type="checkbox"/> No <input type="checkbox"/> Potential <input type="checkbox"/>	Other <input type="checkbox"/>
Vernal Pool Habitat Type: Cryptic	
Comments: VP4 and VP5	

**WETLAND SOIL TYPE (s):**

Soil Types: Ridgebury, Leicester and Whitman complex
--

**DOMINANT PLANTS:**

Common Reed* (Phragmites australis)	
Sweet Pepperbush (Clethra alnifolia)	
Highbush Blueberry (Vaccinium corymbosum)	
Greenbrier (Smilax rotundifolia)	
Poison Ivy (Toxicodendron radicans)	
Multiflora Rose* (Rosa multiflora)	

\* denotes Connecticut Invasive Species Council invasive plant species

**GENERAL COMMENTS:**

--

### Wetland Characteristics Summary Form

Wetland I.D.:	11
---------------	----

**WETLAND HYDROLOGY:**

Intermittently Flooded <input type="checkbox"/>	Artificially Flooded <input type="checkbox"/>	Permanently Flooded <input checked="" type="checkbox"/>
Semipermanently Flooded <input type="checkbox"/>	Seasonally Flooded	Temporarily Flooded <input type="checkbox"/>
Permanently Saturated <input type="checkbox"/>	Saturated/seepage <input checked="" type="checkbox"/>	Seasonally Saturated/perched <input type="checkbox"/>
Comments: None		

**WETLAND TYPE:**

Emergent <input type="checkbox"/>	Scrub-shrub <input checked="" type="checkbox"/>	Forested <input checked="" type="checkbox"/>
Open Water <input type="checkbox"/>	Disturbed <input type="checkbox"/>	Wet Meadow <input type="checkbox"/>
Comments:		

**WATERCOURSE TYPE:**

Perennial <input checked="" type="checkbox"/>	Intermittent <input type="checkbox"/>	Ephemeral <input type="checkbox"/>
Watercourse Name: Thompson Brook		
Comments: S2		

**SPECIAL AQUATIC HABITAT:**

Vernal Pool: Yes <input type="checkbox"/> No <input checked="" type="checkbox"/> Potential <input type="checkbox"/>	Other <input type="checkbox"/>
Vernal Pool Habitat Type: None	
Comments: None	

**WETLAND SOIL TYPE (s):**

Soil Types: Ridgebury, Leicester and Whitman complex
--

**DOMINANT PLANTS:**

Common Grapevine ( <i>Vitis vinifera</i> )	
Sweet Pepperbush ( <i>Clethra alnifolia</i> )	
Highbush Blueberry ( <i>Vaccinium corymbosum</i> )	
Elderberry ( <i>Sambucus canadensis</i> )	
Cinnamon Fern ( <i>Osmunda cinnamomea</i> )	

*\* denotes Connecticut Invasive Species Council invasive plant species*

**GENERAL COMMENTS:**

--



**Wetland Characteristics Summary Form**

Wetland I.D.:	12
---------------	----

**WETLAND HYDROLOGY:**

Intermittently Flooded <input type="checkbox"/>	Artificially Flooded <input type="checkbox"/>	Permanently Flooded <input type="checkbox"/>
Semipermanently Flooded <input type="checkbox"/>	Seasonally Flooded <input type="checkbox"/>	Temporarily Flooded <input type="checkbox"/>
Permanently Saturated <input type="checkbox"/>	Saturated/seepage <input type="checkbox"/>	Saturated/perched <input checked="" type="checkbox"/>
Comments: None		

**WETLAND TYPE:**

Emergent <input checked="" type="checkbox"/>	Scrub-shrub <input checked="" type="checkbox"/>	Forested <input type="checkbox"/>
Open Water <input type="checkbox"/>	Disturbed <input type="checkbox"/>	Wet Meadow <input type="checkbox"/>
Comments:		

**WATERCOURSE TYPE:**

Perennial <input type="checkbox"/>	Intermittent <input type="checkbox"/>	Ephemeral <input type="checkbox"/>
Watercourse Name: None		
Comments: None		

**SPECIAL AQUATIC HABITAT:**

Vernal Pool: Yes <input type="checkbox"/> No <input checked="" type="checkbox"/> Potential <input type="checkbox"/>	Other <input type="checkbox"/>
Vernal Pool Habitat Type: None	
Comments: None	

**WETLAND SOIL TYPE (s):**

Soil Types: Ridgebury, Leicester and Whitman complex.
---

**DOMINANT PLANTS:**

Common Grapevine ( <i>Vitis vinifera</i> )	
Common Reed* ( <i>Phragmites australis</i> )	
Highbush Blueberry ( <i>Vaccinium corymbosum</i> )	
Sensitive Fern ( <i>Onoclea sensibilis</i> )	
Cinnamon Fern ( <i>Osmunda cinnamomea</i> )	

\* denotes Connecticut Invasive Species Council invasive plant species

**GENERAL COMMENTS:**

--

**Wetland Characteristics Summary Form**

Wetland I.D.:	13
---------------	----

**WETLAND HYDROLOGY:**

Intermittently Flooded <input type="checkbox"/>	Artificially Flooded <input type="checkbox"/>	Permanently Flooded <input type="checkbox"/>
Semipermanently Flooded <input type="checkbox"/>	Seasonally Flooded <input checked="" type="checkbox"/>	Temporarily Flooded <input type="checkbox"/>
Permanently Saturated <input type="checkbox"/>	Saturated/seepage <input checked="" type="checkbox"/>	Saturated/perched <input type="checkbox"/>
Comments: None		

**WETLAND TYPE:**

Emergent <input checked="" type="checkbox"/>	Scrub-shrub <input checked="" type="checkbox"/>	Forested <input type="checkbox"/>
Open Water <input type="checkbox"/>	Disturbed <input type="checkbox"/>	Wet Meadow <input type="checkbox"/>
Comments:		

**WATERCOURSE TYPE:**

Perennial <input type="checkbox"/>	Intermittent <input checked="" type="checkbox"/>	Ephemeral <input type="checkbox"/>
Watercourse Name: None		
Comments: S3		

**SPECIAL AQUATIC HABITAT:**

Vernal Pool: Yes <input type="checkbox"/> No <input checked="" type="checkbox"/> Potential <input type="checkbox"/>	Other <input type="checkbox"/>
Vernal Pool Habitat Type: None	
Comments: None	

**WETLAND SOIL TYPE (s):**

Soil Types: Ridgebury, Leicester and Whitman complex
--

**DOMINANT PLANTS:**

Common Grapevine ( <i>Vitis vinifera</i> )	
Common Reed* ( <i>Phragmites australis</i> )	
Highbush Blueberry ( <i>Vaccinium corymbosum</i> )	
Jewelweed ( <i>Impatiens capensis</i> )	
Skunk Cabbage ( <i>Symplocarpus foetidus</i> )	

\* denotes Connecticut Invasive Species Council invasive plant species

**GENERAL COMMENTS:**

--



## Wetland Characteristics Summary Form

Wetland I.D.:	14
---------------	----

**WETLAND HYDROLOGY:**

Intermittently Flooded <input type="checkbox"/>	Artificially Flooded <input type="checkbox"/>	Permanently Flooded <input type="checkbox"/>
Semipermanently Flooded <input type="checkbox"/>	Seasonally Flooded <input type="checkbox"/>	Temporarily Flooded <input type="checkbox"/>
Permanently Saturated <input type="checkbox"/>	Saturated/seepage <input type="checkbox"/>	Saturated/perched <input checked="" type="checkbox"/>
Comments: None		

**WETLAND TYPE:**

Emergent <input checked="" type="checkbox"/>	Scrub-shrub <input checked="" type="checkbox"/>	Forested <input type="checkbox"/>
Open Water <input type="checkbox"/>	Disturbed <input type="checkbox"/>	Wet Meadow <input type="checkbox"/>
Comments:		

**WATERCOURSE TYPE:**

Perennial <input type="checkbox"/>	Intermittent <input type="checkbox"/>	Ephemeral <input type="checkbox"/>
Watercourse Name: None		
Comments:		

**SPECIAL AQUATIC HABITAT:**

Vernal Pool: Yes <input type="checkbox"/> No <input checked="" type="checkbox"/> Potential <input type="checkbox"/>	Other <input type="checkbox"/>
Vernal Pool Habitat Type: None	
Comments: None	

**WETLAND SOIL TYPE (s):**

Soil Types: Raypol silt loam
------------------------------

**DOMINANT PLANTS:**

Cinnamon Fern ( <i>Osmunda cinnamomea</i> )	
Highbush Blueberry ( <i>Vaccinium corymbosum</i> )	
Jewelweed ( <i>Impatiens capensis</i> )	
Greenbrier ( <i>Smilax rotundifolia</i> )	

*\* denotes Connecticut Invasive Species Council invasive plant species*

**GENERAL COMMENTS:**

--

**Wetland Characteristics Summary Form**

Wetland I.D.:	15
---------------	----

**WETLAND HYDROLOGY:**

Intermittently Flooded <input type="checkbox"/>	Artificially Flooded <input type="checkbox"/>	Permanently Flooded <input type="checkbox"/>
Semipermanently Flooded <input type="checkbox"/>	Seasonally Flooded <input checked="" type="checkbox"/>	Temporarily Flooded <input type="checkbox"/>
Permanently Saturated <input type="checkbox"/>	Saturated/seepage <input checked="" type="checkbox"/>	Saturated/perched <input type="checkbox"/>
Comments: None		

**WETLAND TYPE:**

Emergent <input checked="" type="checkbox"/>	Scrub-shrub <input checked="" type="checkbox"/>	Forested <input type="checkbox"/>
Open Water <input type="checkbox"/>	Disturbed <input type="checkbox"/>	Wet Meadow <input type="checkbox"/>
Comments:		

**WATERCOURSE TYPE:**

Perennial <input type="checkbox"/>	Intermittent <input checked="" type="checkbox"/>	Ephemeral <input type="checkbox"/>
Watercourse Name: None		
Comments: S4		

**SPECIAL AQUATIC HABITAT:**

Vernal Pool: Yes <input checked="" type="checkbox"/> No <input type="checkbox"/> Potential <input type="checkbox"/>	Other <input type="checkbox"/>
Vernal Pool Habitat Type: Cryptic	
Comments: VP6	

**WETLAND SOIL TYPE (s):**

Soil Types: Raypol silt loam
------------------------------

**DOMINANT PLANTS:**

Common Reed* (Phragmites australis)	
Sweet Pepperbush (Clethra alnifolia)	
Highbush Blueberry (Vaccinium corymbosum)	
Jewelweed (Impatiens capensis)	
Greenbrier (Smilax rotundifolia)	
Skunk Cabbage (Symplocarpus foetidus)	

\* denotes Connecticut Invasive Species Council invasive plant species

**GENERAL COMMENTS:**

--



### Wetland Characteristics Summary Form

Wetland I.D.:	16
---------------	----

**WETLAND HYDROLOGY:**

Intermittently Flooded <input type="checkbox"/>	Artificially Flooded <input type="checkbox"/>	Permanently Flooded <input type="checkbox"/>
Semipermanently Flooded <input type="checkbox"/>	Seasonally Flooded <input type="checkbox"/>	Temporarily Flooded <input type="checkbox"/>
Permanently Saturated <input type="checkbox"/>	Saturated/seepage <input type="checkbox"/>	Saturated/perched <input checked="" type="checkbox"/>
Comments: None		

**WETLAND TYPE:**

Emergent <input checked="" type="checkbox"/>	Scrub-shrub <input checked="" type="checkbox"/>	Forested <input type="checkbox"/>
Open Water <input type="checkbox"/>	Disturbed <input type="checkbox"/>	Wet Meadow <input type="checkbox"/>
Comments:		

**WATERCOURSE TYPE:**

Perennial <input type="checkbox"/>	Intermittent <input type="checkbox"/>	Ephemeral <input type="checkbox"/>
Watercourse Name: None		
Comments:		

**SPECIAL AQUATIC HABITAT:**

Vernal Pool: Yes <input type="checkbox"/> No <input type="checkbox"/> Potential <input type="checkbox"/>	Other <input type="checkbox"/>
Vernal Pool Habitat Type: None	
Comments: None	

**WETLAND SOIL TYPE (s):**

Soil Types: Raypol
--------------------

**DOMINANT PLANTS:**

Common Reed* (Phragmites australis)	
Sweet Pepperbush (Clethra alnifolia)	
Highbush Blueberry (Vaccinium corymbosum)	
Multiflora Rose* (Rosa multiflora)	
Manna Grass (Glyceria canadensis)	
Hayscented Fern (Dennstaedtia punctilobula)	

\* denotes Connecticut Invasive Species Council invasive plant species

**GENERAL COMMENTS:**

--

**Wetland Characteristics Summary Form**

Wetland I.D.:	17
---------------	----

**WETLAND HYDROLOGY:**

Intermittently Flooded <input type="checkbox"/>	Artificially Flooded <input type="checkbox"/>	Permanently Flooded <input type="checkbox"/>
Semipermanently Flooded <input type="checkbox"/>	Seasonally Flooded <input type="checkbox"/>	Temporarily Flooded <input type="checkbox"/>
Permanently Saturated <input type="checkbox"/>	Saturated/seepage <input checked="" type="checkbox"/>	Saturated/perched <input type="checkbox"/>
Comments: None		

**WETLAND TYPE:**

Emergent <input checked="" type="checkbox"/>	Scrub-shrub <input type="checkbox"/>	Forested <input checked="" type="checkbox"/>
Open Water <input type="checkbox"/>	Disturbed <input type="checkbox"/>	Wet Meadow <input type="checkbox"/>
Comments:		

**WATERCOURSE TYPE:**

Perennial <input type="checkbox"/>	Intermittent <input type="checkbox"/>	Ephemeral <input type="checkbox"/>
Watercourse Name: None		
Comments:		

**SPECIAL AQUATIC HABITAT:**

Vernal Pool: Yes <input type="checkbox"/> No <input checked="" type="checkbox"/> Potential <input type="checkbox"/>	Other <input type="checkbox"/>
Vernal Pool Habitat Type: None	
Comments: None	

**WETLAND SOIL TYPE (s):**

Soil Types: Raypol
--------------------

**DOMINANT PLANTS:**

Common Grapevine ( <i>Vitis vinifera</i> )	
Mountain Laurel ( <i>Kalmia latifolia</i> )	
Cinnamon Fern ( <i>Osmunda cinnamomea</i> )	
Multiflora Rose* ( <i>Rosa multiflora</i> )	

\* denotes Connecticut Invasive Species Council invasive plant species

**GENERAL COMMENTS:**

--



## Wetland Characteristics Summary Form

Wetland I.D.:	18
---------------	----

**WETLAND HYDROLOGY:**

Intermittently Flooded <input type="checkbox"/>	Artificially Flooded <input type="checkbox"/>	Permanently Flooded <input type="checkbox"/>
Semipermanently Flooded <input type="checkbox"/>	Seasonally Flooded <input type="checkbox"/>	Temporarily Flooded <input type="checkbox"/>
Permanently Saturated <input type="checkbox"/>	Saturated/seepage <input checked="" type="checkbox"/>	Seasonally Saturated/perched <input type="checkbox"/>
Comments: None		

**WETLAND TYPE:**

Emergent <input checked="" type="checkbox"/>	Scrub-shrub <input checked="" type="checkbox"/>	Forested <input type="checkbox"/>
Open Water <input type="checkbox"/>	Disturbed <input type="checkbox"/>	Wet Meadow <input type="checkbox"/>
Comments:		

**WATERCOURSE TYPE:**

Perennial <input type="checkbox"/>	Intermittent <input checked="" type="checkbox"/>	Ephemeral <input type="checkbox"/>
Watercourse Name: None		
Comments: S5		

**SPECIAL AQUATIC HABITAT:**

Vernal Pool: Yes <input type="checkbox"/> No <input checked="" type="checkbox"/> Potential <input type="checkbox"/>	Other <input type="checkbox"/>
Vernal Pool Habitat Type: None	
Comments: None	

**WETLAND SOIL TYPE (s):**

Soil Types: Raypol
--------------------

**DOMINANT PLANTS:**

Common Grapevine ( <i>Vitis vinifera</i> )	
Cinnamon Fern ( <i>Osmunda cinnamomea</i> )	
Multiflora Rose* ( <i>Rosa multiflora</i> )	
Poison Ivy ( <i>Toxicodendron radicans</i> )	

*\* denotes Connecticut Invasive Species Council invasive plant species*

**GENERAL COMMENTS:**

### Wetland Characteristics Summary Form

Wetland I.D.:	19
---------------	----

**WETLAND HYDROLOGY:**

Intermittently Flooded <input type="checkbox"/>	Artificially Flooded <input type="checkbox"/>	Permanently Flooded <input type="checkbox"/>
Semipermanently Flooded <input type="checkbox"/>	Seasonally Flooded <input type="checkbox"/>	Temporarily Flooded <input type="checkbox"/>
Permanently Saturated <input type="checkbox"/>	Seasonally Saturated/seepage <input checked="" type="checkbox"/>	Seasonally Saturated/perched <input type="checkbox"/>
Comments: None		

**WETLAND TYPE:**

Emergent <input checked="" type="checkbox"/>	Scrub-shrub <input checked="" type="checkbox"/>	Forested <input type="checkbox"/>
Open Water <input type="checkbox"/>	Disturbed <input type="checkbox"/>	Wet Meadow <input type="checkbox"/>
Comments:		

**WATERCOURSE TYPE:**

Perennial <input type="checkbox"/>	Intermittent <input type="checkbox"/>	Ephemeral <input type="checkbox"/>
Watercourse Name: None		
Comments: None		

**SPECIAL AQUATIC HABITAT:**

Vernal Pool: Yes <input type="checkbox"/> No <input checked="" type="checkbox"/> Potential <input type="checkbox"/>	Other <input type="checkbox"/>
Vernal Pool Habitat Type: None	
Comments: None	

**WETLAND SOIL TYPE (s):**

Soil Types: Ridgebury, Leicester and Whitman complex
--

**DOMINANT PLANTS:**

Common Grapevine ( <i>Vitis vinifera</i> )	
Sensitive Fern ( <i>Onoclea sensibilis</i> )	
Common Reed* ( <i>Phragmites australis</i> )	
Multiflora Rose* ( <i>Rosa multiflora</i> )	
Poison Ivy ( <i>Toxicodendron radicans</i> )	
Skunk Cabbage ( <i>Symplocarpus foetidus</i> )	

\* denotes Connecticut Invasive Species Council invasive plant species

**GENERAL COMMENTS:**



### Wetland Characteristics Summary Form

Wetland I.D.:	20
---------------	----

**WETLAND HYDROLOGY:**

Intermittently Flooded <input type="checkbox"/>	Artificially Flooded <input type="checkbox"/>	Permanently Flooded <input type="checkbox"/>
Semipermanently Flooded <input type="checkbox"/>	Seasonally Flooded <input checked="" type="checkbox"/>	Temporarily Flooded <input type="checkbox"/>
Permanently Saturated <input type="checkbox"/>	Saturated/seepage <input checked="" type="checkbox"/>	Saturated/perched <input type="checkbox"/>
Comments: None		

**WETLAND TYPE:**

Emergent <input checked="" type="checkbox"/>	Scrub-shrub <input checked="" type="checkbox"/>	Forested <input type="checkbox"/>
Open Water <input type="checkbox"/>	Disturbed <input type="checkbox"/>	Wet Meadow <input type="checkbox"/>
Comments:		

**WATERCOURSE TYPE:**

Perennial <input type="checkbox"/>	Intermittent <input checked="" type="checkbox"/>	Ephemeral <input type="checkbox"/>
Watercourse Name: None		
Comments: S8		

**SPECIAL AQUATIC HABITAT:**

Vernal Pool: Yes <input checked="" type="checkbox"/> No <input type="checkbox"/> Potential <input type="checkbox"/>	Other <input type="checkbox"/>
Vernal Pool Habitat Type: Cryptic	
Comments: VP7	

**WETLAND SOIL TYPE (s):**

Soil Types: Raypol
--------------------

**DOMINANT PLANTS:**

Common Grapevine ( <i>Vitis vinifera</i> )	
Common Reed* ( <i>Phragmites australis</i> )	
Multiflora Rose* ( <i>Rosa multiflora</i> )	
Skunk Cabbage ( <i>Symplocarpus foetidus</i> )	

\* denotes Connecticut Invasive Species Council invasive plant species

**GENERAL COMMENTS:**

--

### Wetland Characteristics Summary Form

Wetland I.D.:	21
---------------	----

**WETLAND HYDROLOGY:**

Intermittently Flooded <input type="checkbox"/>	Artificially Flooded <input type="checkbox"/>	Permanently Flooded <input checked="" type="checkbox"/>
Semipermanently Flooded <input type="checkbox"/>	Seasonally Flooded <input checked="" type="checkbox"/>	Temporarily Flooded <input type="checkbox"/>
Permanently Saturated <input type="checkbox"/>	Saturated/seepage <input checked="" type="checkbox"/>	Saturated/perched <input type="checkbox"/>
Comments: None		

**WETLAND TYPE:**

Emergent <input checked="" type="checkbox"/>	Scrub-shrub <input checked="" type="checkbox"/>	Forested <input type="checkbox"/>
Open Water <input type="checkbox"/>	Disturbed <input type="checkbox"/>	Wet Meadow <input type="checkbox"/>
Comments:		

**WATERCOURSE TYPE:**

Perennial <input checked="" type="checkbox"/>	Intermittent <input type="checkbox"/>	Ephemeral <input type="checkbox"/>
Watercourse Name: None		
Comments: S9		

**SPECIAL AQUATIC HABITAT:**

Vernal Pool: Yes <input checked="" type="checkbox"/> No <input type="checkbox"/> Potential <input type="checkbox"/>	Other <input type="checkbox"/>
Vernal Pool Habitat Type: Cryptic	
Comments: VP8	

**WETLAND SOIL TYPE (s):**

Soil Types: Timakwa and Natchaug
----------------------------------

**DOMINANT PLANTS:**

Common Reed* (Phragmites australis)	
Multiflora Rose* (Rosa multiflora)	
Skunk Cabbage (Symplocarpus foetidus)	
Winterberry (Ilex verticillata)	

*\* denotes Connecticut Invasive Species Council invasive plant species*

**GENERAL COMMENTS:**



**Wetland Characteristics Summary Form**

Wetland I.D.:	22
---------------	----

**WETLAND HYDROLOGY:**

Intermittently Flooded <input type="checkbox"/>	Artificially Flooded <input type="checkbox"/>	Permanently Flooded <input type="checkbox"/>
Semipermanently Flooded <input type="checkbox"/>	Seasonally Flooded <input checked="" type="checkbox"/>	Temporarily Flooded <input type="checkbox"/>
Permanently Saturated <input type="checkbox"/>	Saturated/seepage <input checked="" type="checkbox"/>	Saturated/perched <input type="checkbox"/>
Comments: None		

**WETLAND TYPE:**

Emergent <input checked="" type="checkbox"/>	Scrub-shrub <input checked="" type="checkbox"/>	Forested <input type="checkbox"/>
Open Water <input type="checkbox"/>	Disturbed <input type="checkbox"/>	Wet Meadow <input type="checkbox"/>
Comments:		

**WATERCOURSE TYPE:**

Perennial <input type="checkbox"/>	Intermittent <input checked="" type="checkbox"/>	Ephemeral <input type="checkbox"/>
Watercourse Name: None		
Comments: S10		

**SPECIAL AQUATIC HABITAT:**

Vernal Pool: Yes <input type="checkbox"/> No <input checked="" type="checkbox"/> Potential <input type="checkbox"/>	Other <input type="checkbox"/>
Vernal Pool Habitat Type: None	
Comments: None	

**WETLAND SOIL TYPE (s):**

Soil Types: Raypol
--------------------

**DOMINANT PLANTS:**

Common Reed* (Phragmites australis)	
Highbush Blueberry (Vaccinium corymbosum)	
Multiflora Rose* (Rosa multiflora)	
Tussock sedge (Carex stricta)	
Skunk Cabbage (Symplocarpus foetidus)	

\* denotes Connecticut Invasive Species Council invasive plant species

**GENERAL COMMENTS:**

--

## Wetland Characteristics Summary Form

Wetland I.D.:	23
---------------	----

### WETLAND HYDROLOGY:

Intermittently Flooded <input type="checkbox"/>	Artificially Flooded <input type="checkbox"/>	Permanently Flooded <input checked="" type="checkbox"/>
Semipermanently Flooded <input type="checkbox"/>	Seasonally Flooded <input checked="" type="checkbox"/>	Temporarily Flooded <input type="checkbox"/>
Permanently Saturated <input type="checkbox"/>	Saturated/seepage <input checked="" type="checkbox"/>	Saturated/perched <input checked="" type="checkbox"/>
Comments: None		

### WETLAND TYPE:

Emergent <input type="checkbox"/>	Scrub-shrub <input type="checkbox"/>	Forested <input checked="" type="checkbox"/>
Open Water <input type="checkbox"/>	Disturbed <input type="checkbox"/>	Wet Meadow <input type="checkbox"/>
Comments:		

### WATERCOURSE TYPE:

Perennial <input checked="" type="checkbox"/>	Intermittent <input type="checkbox"/>	Ephemeral <input type="checkbox"/>
Watercourse Name: Great Brook/Ledyard Reservoir		
Comments: S11		

### SPECIAL AQUATIC HABITAT:

Vernal Pool: Yes <input type="checkbox"/> No <input checked="" type="checkbox"/> Potential <input type="checkbox"/>	Other <input type="checkbox"/>
Vernal Pool Habitat Type: None	
Comments: None	

### WETLAND SOIL TYPE (s):

Soil Types: Ridgebury, Leicester and Whitman complex
--

### DOMINANT PLANTS:

Red Maple ( <i>Acer rubrum</i> )	
Highbush Blueberry ( <i>Vaccinium corymbosum</i> )	
Multiflora Rose* ( <i>Rosa multiflora</i> )	
Skunk Cabbage ( <i>Symplocarpus foetidus</i> )	

\* denotes Connecticut Invasive Species Council invasive plant species

### GENERAL COMMENTS:

--



### Wetland Characteristics Summary Form

Wetland I.D.:	24
---------------	----

**WETLAND HYDROLOGY:**

Intermittently Flooded <input type="checkbox"/>	Artificially Flooded <input type="checkbox"/>	Permanently Flooded <input type="checkbox"/>
Semipermanently Flooded <input type="checkbox"/>	Seasonally Flooded <input type="checkbox"/>	Temporarily Flooded <input type="checkbox"/>
Permanently Saturated <input type="checkbox"/>	Saturated/seepage <input type="checkbox"/>	Saturated/perched <input checked="" type="checkbox"/>
Comments: None		

**WETLAND TYPE:**

Emergent <input type="checkbox"/>	Scrub-shrub <input checked="" type="checkbox"/>	Forested <input type="checkbox"/>
Open Water <input type="checkbox"/>	Disturbed <input type="checkbox"/>	Wet Meadow <input type="checkbox"/>
Comments:		

**WATERCOURSE TYPE:**

Perennial <input type="checkbox"/>	Intermittent <input type="checkbox"/>	Ephemeral <input type="checkbox"/>
Watercourse Name: None		
Comments:		

**SPECIAL AQUATIC HABITAT:**

Vernal Pool : Yes <input type="checkbox"/> No <input checked="" type="checkbox"/> Potential <input type="checkbox"/>	Other <input type="checkbox"/>
Vernal Pool Habitat Type: None	
Comments: None	

**WETLAND SOIL TYPE (s):**

Soil Types: Ridgebury, Leicester and Whitman complex
--

**DOMINANT PLANTS:**

Red Maple ( <i>Acer rubrum</i> )	
Highbush Blueberry ( <i>Vaccinium corymbosum</i> )	
Multiflora Rose* ( <i>Rosa multiflora</i> )	
Sensitive Fern ( <i>Onoclea sensibilis</i> )	
Skunk Cabbage ( <i>Symplocarpus foetidus</i> )	

\* denotes Connecticut Invasive Species Council invasive plant species

**GENERAL COMMENTS:**

--

### Wetland Characteristics Summary Form

Wetland I.D.:	25
---------------	----

**WETLAND HYDROLOGY:**

Intermittently Flooded <input type="checkbox"/>	Artificially Flooded <input type="checkbox"/>	Permanently Flooded <input type="checkbox"/>
Semipermanently Flooded <input type="checkbox"/>	Seasonally Flooded <input type="checkbox"/>	Temporarily Flooded <input type="checkbox"/>
Permanently Saturated <input type="checkbox"/>	Saturated/seepage <input checked="" type="checkbox"/>	Saturated/perched <input checked="" type="checkbox"/>
Comments: None		

**WETLAND TYPE:**

Emergent <input checked="" type="checkbox"/>	Scrub-shrub <input checked="" type="checkbox"/>	Forested <input type="checkbox"/>
Open Water <input type="checkbox"/>	Disturbed <input type="checkbox"/>	Wet Meadow <input type="checkbox"/>
Comments:		

**WATERCOURSE TYPE:**

Perennial <input type="checkbox"/>	Intermittent <input type="checkbox"/>	Ephemeral <input type="checkbox"/>
Watercourse Name: None		
Comments:		

**SPECIAL AQUATIC HABITAT:**

Vernal Pool: Yes <input type="checkbox"/> No <input checked="" type="checkbox"/> Potential <input type="checkbox"/>	Other <input type="checkbox"/>
Vernal Pool Habitat Type: None	
Comments: None	

**WETLAND SOIL TYPE (s):**

Soil Types: Ridgebury, Leicester, and Whitman complex
---

**DOMINANT PLANTS:**

Common Reed* (Phragmites australis)	
Elderberry (Sambucus canadensis)	
Multiflora Rose* (Rosa multiflora)	
Red Maple (Acer rubrum)	
Greenbrier (Smilax rotundifolia)	

\* denotes Connecticut Invasive Species Council invasive plant species

**GENERAL COMMENTS:**

--

### Wetland Characteristics Summary Form

Wetland I.D.:	26
---------------	----

**WETLAND HYDROLOGY:**

Intermittently Flooded <input type="checkbox"/>	Artificially Flooded <input type="checkbox"/>	Permanently Flooded <input type="checkbox"/>
Semipermanently Flooded <input type="checkbox"/>	Seasonally Flooded <input checked="" type="checkbox"/>	Temporarily Flooded <input type="checkbox"/>
Permanently Saturated <input type="checkbox"/>	Saturated/seepage <input checked="" type="checkbox"/>	Seasonally Saturated/perched <input type="checkbox"/>
Comments: None		

**WETLAND TYPE:**

Emergent <input type="checkbox"/>	Scrub-shrub <input checked="" type="checkbox"/>	Forested <input checked="" type="checkbox"/>
Open Water <input type="checkbox"/>	Disturbed <input type="checkbox"/>	Wet Meadow <input type="checkbox"/>
Comments:		

**WATERCOURSE TYPE:**

Perennial <input type="checkbox"/>	Intermittent <input type="checkbox"/>	Ephemeral <input type="checkbox"/>
Watercourse Name: None		
Comments:		

**SPECIAL AQUATIC HABITAT:**

Vernal Pool: Yes <input checked="" type="checkbox"/> No <input type="checkbox"/> Potential <input type="checkbox"/>	Other <input type="checkbox"/>
Vernal Pool Habitat Type: Cryptic	
Comments: VP9	

**WETLAND SOIL TYPE (s):**

Soil Types: Ridgebury, Leicester, and Whitman complex
---

**DOMINANT PLANTS:**

Highbush Blueberry ( <i>Vaccinium corymbosum</i> )	
Winterberry ( <i>Ilex verticillata</i> )	
Red Maple ( <i>Acer rubrum</i> )	
Greenbrier ( <i>Smilax rotundifolia</i> )	

*\* denotes Connecticut Invasive Species Council invasive plant species*

**GENERAL COMMENTS:**

--



### Wetland Characteristics Summary Form

Wetland I.D.:	27
---------------	----

**WETLAND HYDROLOGY:**

Intermittently Flooded <input type="checkbox"/>	Artificially Flooded <input type="checkbox"/>	Permanently Flooded <input type="checkbox"/>
Semipermanently Flooded <input type="checkbox"/>	Seasonally Flooded <input checked="" type="checkbox"/>	Temporarily Flooded <input type="checkbox"/>
Permanently Saturated <input type="checkbox"/>	Saturated/seepage <input checked="" type="checkbox"/>	Saturated/perched <input type="checkbox"/>
Comments: None		

**WETLAND TYPE:**

Emergent <input type="checkbox"/>	Scrub-shrub <input checked="" type="checkbox"/>	Forested <input checked="" type="checkbox"/>
Open Water <input type="checkbox"/>	Disturbed <input type="checkbox"/>	Wet Meadow <input type="checkbox"/>
Comments:		

**WATERCOURSE TYPE:**

Perennial <input type="checkbox"/>	Intermittent <input type="checkbox"/>	Ephemeral <input type="checkbox"/>
Watercourse Name: None		
Comments:		

**SPECIAL AQUATIC HABITAT:**

Vernal Pool: Yes <input type="checkbox"/> No <input checked="" type="checkbox"/> Potential <input type="checkbox"/>	Other <input type="checkbox"/>
Vernal Pool Habitat Type: None	
Comments: None	

**WETLAND SOIL TYPE (s):**

Soil Types: Ridgebury, Leicester and Whitman complex
--

**DOMINANT PLANTS:**

Winterberry ( <i>Ilex verticillata</i> )	
Cinnamon Fern ( <i>Osmunda cinnamomea</i> )	
Multiflora Rose* ( <i>Rosa multiflora</i> )	
Red Maple ( <i>Acer rubrum</i> )	
Mountain Laurel ( <i>Kalmia latifolia</i> )	
Greenbrier ( <i>Smilax rotundifolia</i> )	

\* denotes Connecticut Invasive Species Council invasive plant species

**GENERAL COMMENTS:**

--

## Wetland Characteristics Summary Form

Wetland I.D.:	28
---------------	----

### WETLAND HYDROLOGY:

Intermittently Flooded <input type="checkbox"/>	Artificially Flooded <input type="checkbox"/>	Permanently Flooded <input type="checkbox"/>
Semipermanently Flooded <input type="checkbox"/>	Seasonally Flooded <input checked="" type="checkbox"/>	Temporarily Flooded <input type="checkbox"/>
Permanently Saturated <input type="checkbox"/>	Saturated/seepage <input checked="" type="checkbox"/>	Seasonally Saturated/perched <input type="checkbox"/>
Comments: None		

### WETLAND TYPE:

Emergent <input checked="" type="checkbox"/>	Scrub-shrub <input checked="" type="checkbox"/>	Forested <input type="checkbox"/>
Open Water <input type="checkbox"/>	Disturbed <input type="checkbox"/>	Wet Meadow <input type="checkbox"/>
Comments:		

### WATERCOURSE TYPE:

Perennial <input type="checkbox"/>	Intermittent <input type="checkbox"/>	Ephemeral <input type="checkbox"/>
Watercourse Name: None		
Comments:		

### SPECIAL AQUATIC HABITAT:

Vernal Pool: Yes <input type="checkbox"/> No <input checked="" type="checkbox"/> Potential <input type="checkbox"/>	Other <input type="checkbox"/>
Vernal Pool Habitat Type: None	
Comments: None	

### WETLAND SOIL TYPE (s):

Soil Types: Ridgebury, Leicester, and Whitman complex
---

### DOMINANT PLANTS:

Common Grapevine ( <i>Vitis vinifera</i> )	
Greenbriar ( <i>Smilax rotundifolia</i> )	
Multiflora Rose* ( <i>Rosa multiflora</i> )	
Red Maple ( <i>Acer rubrum</i> )	
Sensitive Fern ( <i>Onoclea sensibilis</i> )	
Cinnamon Fern ( <i>Osmunda cinnamomea</i> )	

\* denotes Connecticut Invasive Species Council invasive plant species

### GENERAL COMMENTS:

--

**Wetland Characteristics Summary Form**

Wetland I.D.:	29
---------------	----

**WETLAND HYDROLOGY:**

Intermittently Flooded <input type="checkbox"/>	Artificially Flooded <input type="checkbox"/>	Permanently Flooded <input checked="" type="checkbox"/>
Semipermanently Flooded <input type="checkbox"/>	Seasonally Flooded <input checked="" type="checkbox"/>	Temporarily Flooded <input type="checkbox"/>
Permanently Saturated <input type="checkbox"/>	Saturated/seepage <input checked="" type="checkbox"/>	Saturated/perched <input type="checkbox"/>
Comments: None		

**WETLAND TYPE:**

Emergent <input type="checkbox"/>	Scrub-shrub <input checked="" type="checkbox"/>	Forested <input checked="" type="checkbox"/>
Open Water <input type="checkbox"/>	Disturbed <input type="checkbox"/>	Wet Meadow <input type="checkbox"/>
Comments:		

**WATERCOURSE TYPE:**

Perennial <input checked="" type="checkbox"/>	Intermittent <input type="checkbox"/>	Ephemeral <input type="checkbox"/>
Watercourse Name: Haleys Brook		
Comments: S12		

**SPECIAL AQUATIC HABITAT:**

Vernal Pool: Yes <input type="checkbox"/> No <input checked="" type="checkbox"/> Potential <input type="checkbox"/>	Other <input type="checkbox"/>
Vernal Pool Habitat Type: None	
Comments: None	

**WETLAND SOIL TYPE (s):**

Soil Types: Ridgebury, Leicester, and Whitman complex
---

**DOMINANT PLANTS:**

Common Grapevine ( <i>Vitis vinifera</i> )	
Highbush Blueberry ( <i>Vaccinium corymbosum</i> )	
Winterberry ( <i>Ilex verticillata</i> )	
Red Maple ( <i>Acer rubrum</i> )	
Sensitive Fern ( <i>Onoclea sensibilis</i> )	
Sassafras ( <i>Sassafras albidum</i> )	

*\* denotes Connecticut Invasive Species Council invasive plant species*

**GENERAL COMMENTS:**

--



### Wetland Characteristics Summary Form

Wetland I.D.:	30
---------------	----

**WETLAND HYDROLOGY:**

Intermittently Flooded <input type="checkbox"/>	Artificially Flooded <input type="checkbox"/>	Permanently Flooded <input type="checkbox"/>
Semipermanently Flooded <input type="checkbox"/>	Seasonally Flooded <input checked="" type="checkbox"/>	Temporarily Flooded <input type="checkbox"/>
Permanently Saturated <input type="checkbox"/>	Saturated/seepage <input checked="" type="checkbox"/>	Saturated/perched <input type="checkbox"/>
Comments: None		

**WETLAND TYPE:**

Emergent <input checked="" type="checkbox"/>	Scrub-shrub <input checked="" type="checkbox"/>	Forested <input type="checkbox"/>
Open Water <input type="checkbox"/>	Disturbed <input type="checkbox"/>	Wet Meadow <input type="checkbox"/>
Comments:		

**WATERCOURSE TYPE:**

Perennial <input type="checkbox"/>	Intermittent <input type="checkbox"/>	Ephemeral <input type="checkbox"/>
Watercourse Name: None		
Comments:		

**SPECIAL AQUATIC HABITAT:**

Vernal Pool: Yes <input checked="" type="checkbox"/> No <input type="checkbox"/> Potential <input type="checkbox"/>	Other <input type="checkbox"/>
Vernal Pool Habitat Type: Cryptic	
Comments: VP10	

**WETLAND SOIL TYPE (s):**

Soil Types: Ridgebury, Leicester, and Whitman complex
---

**DOMINANT PLANTS:**

Sweet Pepperbush ( <i>Clethra alnifolia</i> )	
Common Reed* ( <i>Phragmites australis</i> )	
Greenbrier ( <i>Smilax rotundifolia</i> )	
Red Maple ( <i>Acer rubrum</i> )	
Sensitive Fern ( <i>Onoclea sensibilis</i> )	

\* denotes Connecticut Invasive Species Council invasive plant species

**GENERAL COMMENTS:**

**Wetland Characteristics Summary Form**

Wetland I.D.:	31
---------------	----

**WETLAND HYDROLOGY:**

Intermittently Flooded <input type="checkbox"/>	Artificially Flooded <input type="checkbox"/>	Permanently Flooded <input type="checkbox"/>
Semipermanently Flooded <input type="checkbox"/>	Seasonally Flooded <input checked="" type="checkbox"/>	Temporarily Flooded <input type="checkbox"/>
Permanently Saturated <input type="checkbox"/>	Saturated/seepage <input checked="" type="checkbox"/>	Saturated/perched <input checked="" type="checkbox"/>
Comments: None		

**WETLAND TYPE:**

Emergent <input checked="" type="checkbox"/>	Scrub-shrub <input checked="" type="checkbox"/>	Forested <input checked="" type="checkbox"/>
Open Water <input type="checkbox"/>	Disturbed <input type="checkbox"/>	Wet Meadow <input type="checkbox"/>
Comments:		

**WATERCOURSE TYPE:**

Perennial <input type="checkbox"/>	Intermittent <input type="checkbox"/>	Ephemeral <input type="checkbox"/>
Watercourse Name: None		
Comments:		

**SPECIAL AQUATIC HABITAT:**

Vernal Pool: Yes <input checked="" type="checkbox"/> No <input type="checkbox"/> Potential <input type="checkbox"/>	Other <input type="checkbox"/>
Vernal Pool Habitat Type: Cryptic	
Comments: VP11 and VP12	

**WETLAND SOIL TYPE (s):**

Soil Types: Timakwa and Natchaug
----------------------------------

**DOMINANT PLANTS:**

Sweet Pepperbush (Clethra alnifolia)	
Common Reed* (Phragmites australis)	
Greenbrier (Smilax rotundifolia)	
Red Maple (Acer rubrum)	
Sensitive Fern (Onoclea sensibilis)	

\* denotes Connecticut Invasive Species Council invasive plant species

**GENERAL COMMENTS:**

--

## Wetland Characteristics Summary Form

Wetland I.D.:	32
---------------	----

### WETLAND HYDROLOGY:

Intermittently Flooded <input type="checkbox"/>	Artificially Flooded <input type="checkbox"/>	Permanently Flooded <input type="checkbox"/>
Semipermanently Flooded <input type="checkbox"/>	Seasonally Flooded <input checked="" type="checkbox"/>	Temporarily Flooded <input type="checkbox"/>
Permanently Saturated <input type="checkbox"/>	Saturated/seepage <input checked="" type="checkbox"/>	Saturated/perched <input checked="" type="checkbox"/>
Comments: None		

### WETLAND TYPE:

Emergent <input checked="" type="checkbox"/>	Scrub-shrub <input checked="" type="checkbox"/>	Forested <input checked="" type="checkbox"/>
Open Water <input type="checkbox"/>	Disturbed <input type="checkbox"/>	Wet Meadow <input type="checkbox"/>
Comments:		

### WATERCOURSE TYPE:

Perennial <input type="checkbox"/>	Intermittent <input type="checkbox"/>	Ephemeral <input type="checkbox"/>
Watercourse Name: None		
Comments:		

### SPECIAL AQUATIC HABITAT:

Vernal Pool: Yes <input type="checkbox"/> No <input checked="" type="checkbox"/> Potential <input type="checkbox"/>	Other <input type="checkbox"/>
Vernal Pool Habitat Type: None	
Comments:	

### WETLAND SOIL TYPE (s):

Soil Types: Ridgebury, Leicester and Whitman complex
--

### DOMINANT PLANTS:

Common Grapevine ( <i>Vitis vinifera</i> )	
Common Reed* ( <i>Phragmites australis</i> )	
Greenbrier ( <i>Smilax rotundifolia</i> )	
Red Maple ( <i>Acer rubrum</i> )	
Sensitive Fern ( <i>Onoclea sensibilis</i> )	
Skunk Cabbage ( <i>Symplocarpus foetidus</i> )	

\* denotes Connecticut Invasive Species Council invasive plant species

### GENERAL COMMENTS:

--



**Wetland Characteristics Summary Form**

Wetland I.D.:	33
---------------	----

**WETLAND HYDROLOGY:**

Intermittently Flooded <input type="checkbox"/>	Artificially Flooded <input type="checkbox"/>	Permanently Flooded <input type="checkbox"/>
Semipermanently Flooded <input type="checkbox"/>	Seasonally Flooded <input checked="" type="checkbox"/>	Temporarily Flooded <input type="checkbox"/>
Permanently Saturated <input type="checkbox"/>	Saturated/seepage <input checked="" type="checkbox"/>	Saturated/perched <input type="checkbox"/>
Comments: None		

**WETLAND TYPE:**

Emergent <input checked="" type="checkbox"/>	Scrub-shrub <input checked="" type="checkbox"/>	Forested <input checked="" type="checkbox"/>
Open Water <input type="checkbox"/>	Disturbed <input type="checkbox"/>	Wet Meadow <input type="checkbox"/>
Comments:		

**WATERCOURSE TYPE:**

Perennial <input checked="" type="checkbox"/>	Intermittent <input type="checkbox"/>	Ephemeral <input type="checkbox"/>
Watercourse Name: West Branch Red Brook		
Comments: S13		

**SPECIAL AQUATIC HABITAT:**

Vernal Pool: Yes <input checked="" type="checkbox"/> No <input type="checkbox"/> Potential <input type="checkbox"/>	Other <input type="checkbox"/>
Vernal Pool Habitat Type: Cryptic	
Comments: VP13	

**WETLAND SOIL TYPE (s):**

Soil Types: Raypol
--------------------

**DOMINANT PLANTS:**

Common Grapevine ( <i>Vitis vinifera</i> )	
Common Reed* ( <i>Phragmites australis</i> )	
Greenbrier ( <i>Smilax rotundifolia</i> )	
Red Maple ( <i>Acer rubrum</i> )	
Skunk Cabbage ( <i>Symplocarpus foetidus</i> )	

\* denotes Connecticut Invasive Species Council invasive plant species

**GENERAL COMMENTS:**

--

### Wetland Characteristics Summary Form

Wetland I.D.:	34
---------------	----

**WETLAND HYDROLOGY:**

Intermittently Flooded <input type="checkbox"/>	Artificially Flooded <input type="checkbox"/>	Permanently Flooded <input type="checkbox"/>
Semipermanently Flooded <input type="checkbox"/>	Seasonally Flooded <input checked="" type="checkbox"/>	Temporarily Flooded <input type="checkbox"/>
Permanently Saturated <input type="checkbox"/>	Saturated/seepage <input checked="" type="checkbox"/>	Saturated/perched <input type="checkbox"/>
Comments: None		

**WETLAND TYPE:**

Emergent <input checked="" type="checkbox"/>	Scrub-shrub <input checked="" type="checkbox"/>	Forested <input checked="" type="checkbox"/>
Open Water <input type="checkbox"/>	Disturbed <input type="checkbox"/>	Wet Meadow <input type="checkbox"/>
Comments:		

**WATERCOURSE TYPE:**

Perennial <input type="checkbox"/>	Intermittent <input checked="" type="checkbox"/>	Ephemeral <input type="checkbox"/>
Watercourse Name: Red Brook		
Comments: S14		

**SPECIAL AQUATIC HABITAT:**

Vernal Pool: Yes <input type="checkbox"/> No <input checked="" type="checkbox"/> Potential <input type="checkbox"/>	Other <input type="checkbox"/>
Vernal Pool Habitat Type: None	
Comments: None	

**WETLAND SOIL TYPE (s):**

Soil Types: Walpole
---------------------

**DOMINANT PLANTS:**

Common Grapevine ( <i>Vitis vinifera</i> )	
Common Reed* ( <i>Phragmites australis</i> )	
Greenbrier ( <i>Smilax rotundifolia</i> )	
Red Maple ( <i>Acer rubrum</i> )	
Sensitive Fern ( <i>Onoclea sensibilis</i> )	
Skunk Cabbage ( <i>Symplocarpus foetidus</i> )	

\* denotes Connecticut Invasive Species Council invasive plant species

**GENERAL COMMENTS:**

--

**Wetland Characteristics Summary Form**

Wetland I.D.:	35
Flag #'s:	

**WETLAND HYDROLOGY:**

Intermittently Flooded <input type="checkbox"/>	Artificially Flooded <input type="checkbox"/>	Permanently Flooded <input type="checkbox"/>
Semipermanently Flooded <input type="checkbox"/>	Seasonally Flooded <input checked="" type="checkbox"/>	Temporarily Flooded <input type="checkbox"/>
Permanently Saturated <input type="checkbox"/>	Seasonally Saturated/seepage <input checked="" type="checkbox"/>	Seasonally Saturated/perched <input checked="" type="checkbox"/>
Comments: None		

**WETLAND TYPE:**

Emergent <input checked="" type="checkbox"/>	Scrub-shrub <input checked="" type="checkbox"/>	Forested <input checked="" type="checkbox"/>
Open Water <input type="checkbox"/>	Disturbed <input type="checkbox"/>	Wet Meadow <input type="checkbox"/>
Comments:		

**WATERCOURSE TYPE:**

Perennial <input type="checkbox"/>	Intermittent <input checked="" type="checkbox"/>	Ephemeral <input type="checkbox"/>
Watercourse Name: None		
Comments:		

**SPECIAL AQUATIC HABITAT:**

Vernal Pool : Yes <input checked="" type="checkbox"/> No <input type="checkbox"/> Potential <input type="checkbox"/>	Other <input type="checkbox"/>
Vernal Pool Habitat Type: 'Cryptic'	
Comments: VP14	

**WETLAND SOIL TYPE (s):**

Soil Types: Haven silt loam
-----------------------------

**DOMINANT PLANTS:**

Common Grapevine ( <i>Vitis vinifera</i> )	
Common Reed* ( <i>Phragmites australis</i> )	
Greenbrier ( <i>Smilax rotundifolia</i> )	
Red Maple ( <i>Acer rubrum</i> )	
Sensitive Fern ( <i>Onoclea sensibilis</i> )	
Skunk Cabbage ( <i>Symplocarpus foetidus</i> )	

\* denotes Connecticut Invasive Species Council invasive plant species

**GENERAL COMMENTS:**

--



**Wetland Characteristics Summary Form**

Wetland I.D.:	36
Flag #'s:	

**WETLAND HYDROLOGY:**

Intermittently Flooded <input type="checkbox"/>	Artificially Flooded <input type="checkbox"/>	Permanently Flooded <input type="checkbox"/>
Semipermanently Flooded <input type="checkbox"/>	Seasonally Flooded <input type="checkbox"/>	Temporarily Flooded <input type="checkbox"/>
Permanently Saturated <input type="checkbox"/>	Seasonally Saturated/seepage <input checked="" type="checkbox"/>	Seasonally Saturated/perched <input type="checkbox"/>
Comments: None		

**WETLAND TYPE:**

Emergent <input checked="" type="checkbox"/>	Scrub-shrub <input type="checkbox"/>	Forested <input checked="" type="checkbox"/>
Open Water <input type="checkbox"/>	Disturbed <input type="checkbox"/>	Wet Meadow <input type="checkbox"/>
Comments:		

**WATERCOURSE TYPE:**

Perennial <input type="checkbox"/>	Intermittent <input type="checkbox"/>	Ephemeral <input type="checkbox"/>
Watercourse Name:		
Comments:		

**SPECIAL AQUATIC HABITAT:**

Vernal Pool : Yes <input type="checkbox"/> No <input checked="" type="checkbox"/> Potential <input type="checkbox"/>	Other <input type="checkbox"/>
Vernal Pool Habitat Type: None	
Comments: None	

**WETLAND SOIL TYPE (s):**

Soil Types: Agawam fine sandy loam
------------------------------------

**DOMINANT PLANTS:**

Red Maple ( <i>Acer rubrum</i> )	
Poison Ivy ( <i>Toxicodendron radicans</i> )	
Common Grapevine ( <i>Vitis vinifera</i> )	

*\* denotes Connecticut Invasive Species Council invasive plant species*

**GENERAL COMMENTS:**

--

**Wetland Characteristics Summary Form**

Wetland I.D.:	37
Flag #'s:	

**WETLAND HYDROLOGY:**

Intermittently Flooded <input type="checkbox"/>	Artificially Flooded <input type="checkbox"/>	Permanently Flooded <input type="checkbox"/>
Semipermanently Flooded <input type="checkbox"/>	Seasonally Flooded <input type="checkbox"/>	Temporarily Flooded <input type="checkbox"/>
Permanently Saturated <input type="checkbox"/>	Seasonally Saturated/seepage <input type="checkbox"/>	Seasonally Saturated/perched <input checked="" type="checkbox"/>
Comments: None		

**WETLAND TYPE:**

Emergent <input checked="" type="checkbox"/>	Scrub-shrub <input checked="" type="checkbox"/>	Forested <input type="checkbox"/>
Open Water <input type="checkbox"/>	Disturbed <input type="checkbox"/>	Wet Meadow <input type="checkbox"/>
Comments:		

**WATERCOURSE TYPE:**

Perennial <input type="checkbox"/>	Intermittent <input type="checkbox"/>	Ephemeral <input type="checkbox"/>
Watercourse Name:		
Comments:		

**SPECIAL AQUATIC HABITAT:**

Vernal Pool : Yes <input type="checkbox"/> No <input checked="" type="checkbox"/> Potential <input type="checkbox"/>	Other <input type="checkbox"/>
Vernal Pool Habitat Type: None	
Comments: None	

**WETLAND SOIL TYPE (s):**

Soil Types: Agawam fine sandy loam
------------------------------------

**DOMINANT PLANTS:**


*\* denotes Connecticut Invasive Species Council invasive plant species*

**GENERAL COMMENTS:**

Mowed area of open lawn
-------------------------

**Wetland Characteristics Summary Form**

Wetland I.D.:	38
Flag #'s:	

**WETLAND HYDROLOGY:**

Intermittently Flooded <input type="checkbox"/>	Artificially Flooded <input type="checkbox"/>	Permanently Flooded <input checked="" type="checkbox"/>
Semipermanently Flooded <input type="checkbox"/>	Seasonally Flooded <input checked="" type="checkbox"/>	Temporarily Flooded <input type="checkbox"/>
Permanently Saturated <input type="checkbox"/>	Seasonally Saturated/seepage <input checked="" type="checkbox"/>	Seasonally Saturated/perched <input type="checkbox"/>
Comments: None		

**WETLAND TYPE:**

Emergent <input checked="" type="checkbox"/>	Scrub-shrub <input checked="" type="checkbox"/>	Forested <input checked="" type="checkbox"/>
Open Water <input type="checkbox"/>	Disturbed <input type="checkbox"/>	Wet Meadow <input type="checkbox"/>
Comments:		

**WATERCOURSE TYPE:**

Perennial <input checked="" type="checkbox"/>	Intermittent <input type="checkbox"/>	Ephemeral <input type="checkbox"/>
Watercourse Name: Whitford Brook		
Comments: S15		

**SPECIAL AQUATIC HABITAT:**

Vernal Pool : Yes <input type="checkbox"/> No <input checked="" type="checkbox"/> Potential <input type="checkbox"/>	Other <input type="checkbox"/>
Vernal Pool Habitat Type: None	
Comments: None	

**WETLAND SOIL TYPE (s):**

Soil Types: Agawam fine sandy loam
------------------------------------

**DOMINANT PLANTS:**

Common Reed* (Phragmites australis)	
Red Maple (Acer rubrum)	
Poison Ivy (Toxicodendron radicans)	
Multiflora Rose* (Rosa multiflora)	
Greenbrier (Smilax rotundifolia)	
Common Grapevine (Vitis vinifera)	

\* denotes Connecticut Invasive Species Council invasive plant species

**GENERAL COMMENTS:**

--



### Wetland Characteristics Summary Form

Wetland I.D.:	39
Flag #'s:	

**WETLAND HYDROLOGY:**

Intermittently Flooded <input type="checkbox"/>	Artificially Flooded <input type="checkbox"/>	Permanently Flooded <input type="checkbox"/>
Semipermanently Flooded <input type="checkbox"/>	Seasonally Flooded <input type="checkbox"/>	Temporarily Flooded <input type="checkbox"/>
Permanently Saturated <input type="checkbox"/>	Seasonally Saturated/seepage <input checked="" type="checkbox"/>	Seasonally Saturated/perched <input checked="" type="checkbox"/>
Comments: None		

**WETLAND TYPE:**

Emergent <input type="checkbox"/>	Scrub-shrub <input checked="" type="checkbox"/>	Forested <input checked="" type="checkbox"/>
Open Water <input type="checkbox"/>	Disturbed <input type="checkbox"/>	Wet Meadow <input type="checkbox"/>
Comments:		

**WATERCOURSE TYPE:**

Perennial <input type="checkbox"/>	Intermittent <input type="checkbox"/>	Ephemeral <input type="checkbox"/>
Watercourse Name: None		
Comments:		

**SPECIAL AQUATIC HABITAT:**

Vernal Pool : Yes <input type="checkbox"/> No <input checked="" type="checkbox"/> Potential <input type="checkbox"/>	Other <input type="checkbox"/>
Vernal Pool Habitat Type: None	
Comments: None	

**WETLAND SOIL TYPE (s):**

Soil Types: Raypol silt loam
------------------------------

**DOMINANT PLANTS:**

Skunk Cabbage ( <i>Symplocarpus foetidus</i> )	
Red Maple ( <i>Acer rubrum</i> )	
Poison Ivy ( <i>Toxicodendron radicans</i> )	
Multiflora Rose* ( <i>Rosa multiflora</i> )	
Greenbrier ( <i>Smilax rotundifolia</i> )	
Common Grapevine ( <i>Vitis vinifera</i> )	

*\* denotes Connecticut Invasive Species Council invasive plant species*

**GENERAL COMMENTS:**

### Wetland Characteristics Summary Form

Wetland I.D.:	40
Flag #'s:	

**WETLAND HYDROLOGY:**

Intermittently Flooded <input type="checkbox"/>	Artificially Flooded <input type="checkbox"/>	Permanently Flooded <input type="checkbox"/>
Semipermanently Flooded <input type="checkbox"/>	Seasonally Flooded <input checked="" type="checkbox"/>	Temporarily Flooded <input type="checkbox"/>
Permanently Saturated <input type="checkbox"/>	Seasonally Saturated/seepage <input checked="" type="checkbox"/>	Seasonally Saturated/perched <input checked="" type="checkbox"/>
Comments: None		

**WETLAND TYPE:**

Emergent <input checked="" type="checkbox"/>	Scrub-shrub <input checked="" type="checkbox"/>	Forested <input checked="" type="checkbox"/>
Open Water <input type="checkbox"/>	Disturbed <input type="checkbox"/>	Wet Meadow <input type="checkbox"/>
Comments:		

**WATERCOURSE TYPE:**

Perennial <input type="checkbox"/>	Intermittent <input type="checkbox"/>	Ephemeral <input type="checkbox"/>
Watercourse Name: None		
Comments:		

**SPECIAL AQUATIC HABITAT:**

Vernal Pool : Yes <input type="checkbox"/> No <input checked="" type="checkbox"/> Potential <input type="checkbox"/>	Other <input type="checkbox"/>
Vernal Pool Habitat Type: None	
Comments: None	

**WETLAND SOIL TYPE (s):**

Soil Types: Raypol silt loam
------------------------------

**DOMINANT PLANTS:**

Skunk Cabbage ( <i>Symplocarpus foetidus</i> )	
Poison Ivy ( <i>Toxicodendron radicans</i> )	
Multiflora Rose* ( <i>Rosa multiflora</i> )	
Greenbrier ( <i>Smilax rotundifolia</i> )	
Common Grapevine ( <i>Vitis vinifera</i> )	

*\* denotes Connecticut Invasive Species Council invasive plant species*

**GENERAL COMMENTS:**

**Wetland Characteristics Summary Form**

Wetland I.D.:	41
Flag #'s:	

**WETLAND HYDROLOGY:**

Intermittently Flooded <input type="checkbox"/>	Artificially Flooded <input type="checkbox"/>	Permanently Flooded <input type="checkbox"/>
Semipermanently Flooded <input type="checkbox"/>	Seasonally Flooded <input checked="" type="checkbox"/>	Temporarily Flooded <input type="checkbox"/>
Permanently Saturated <input type="checkbox"/>	Seasonally Saturated/seepage <input checked="" type="checkbox"/>	Seasonally Saturated/perched <input type="checkbox"/>
Comments: None		

**WETLAND TYPE:**

Emergent <input checked="" type="checkbox"/>	Scrub-shrub <input checked="" type="checkbox"/>	Forested <input checked="" type="checkbox"/>
Open Water <input type="checkbox"/>	Disturbed <input type="checkbox"/>	Wet Meadow <input type="checkbox"/>
Comments:		

**WATERCOURSE TYPE:**

Perennial <input type="checkbox"/>	Intermittent <input checked="" type="checkbox"/>	Ephemeral <input type="checkbox"/>
Watercourse Name: Unnamed		
Comments: S18		

**SPECIAL AQUATIC HABITAT:**

Vernal Pool : Yes <input type="checkbox"/> No <input checked="" type="checkbox"/> Potential <input type="checkbox"/>	Other <input type="checkbox"/>
Vernal Pool Habitat Type: None	
Comments: None	

**WETLAND SOIL TYPE (s):**

Soil Types: Catden and Freetown
---------------------------------

**DOMINANT PLANTS:**

Red Maple (Acer rubrum)	
Winterberry (Ilex verticillata)	
Poison Ivy (Toxicodendron radicans)	
Multiflora Rose* (Rosa multiflora)	
Greenbrier (Smilax rotundifolia)	
Common Grapevine (Vitis vinifera)	

\* denotes Connecticut Invasive Species Council invasive plant species

**GENERAL COMMENTS:**

--





### Wetland Characteristics Summary Form

Wetland I.D.:	43
Flag #'s:	

**WETLAND HYDROLOGY:**

Intermittently Flooded <input type="checkbox"/>	Artificially Flooded <input type="checkbox"/>	Permanently Flooded <input type="checkbox"/>
Semipermanently Flooded <input type="checkbox"/>	Seasonally Flooded <input checked="" type="checkbox"/>	Temporarily Flooded <input type="checkbox"/>
Permanently Saturated <input type="checkbox"/>	Seasonally Saturated/seepage <input checked="" type="checkbox"/>	Seasonally Saturated/perched <input type="checkbox"/>
Comments: None		

**WETLAND TYPE:**

Emergent <input checked="" type="checkbox"/>	Scrub-shrub <input checked="" type="checkbox"/>	Forested <input checked="" type="checkbox"/>
Open Water <input type="checkbox"/>	Disturbed <input type="checkbox"/>	Wet Meadow <input type="checkbox"/>
Comments:		

**WATERCOURSE TYPE:**

Perennial <input type="checkbox"/>	Intermittent <input checked="" type="checkbox"/>	Ephemeral <input type="checkbox"/>
Watercourse Name: Unnamed		
Comments: S19		

**SPECIAL AQUATIC HABITAT:**

Vernal Pool : Yes <input type="checkbox"/> No <input checked="" type="checkbox"/> Potential <input type="checkbox"/>	Other <input type="checkbox"/>
Vernal Pool Habitat Type: None	
Comments: None	

**WETLAND SOIL TYPE (s):**

Soil Types: Raypol silt loam
------------------------------

**DOMINANT PLANTS:**

Common Reed* (Phragmites australis)	
Skunk Cabbage (Symplocarpus foetidus)	
Sensitive Fern (Onoclea sensibilis)	
Multiflora Rose* (Rosa multiflora)	
Greenbrier (Smilax rotundifolia)	
Common Grapevine (Vitis vinifera)	

*\* denotes Connecticut Invasive Species Council invasive plant species*

**GENERAL COMMENTS:**

### Wetland Characteristics Summary Form

Wetland I.D.:	44
Flag #'s:	

**WETLAND HYDROLOGY:**

Intermittently Flooded <input type="checkbox"/>	Artificially Flooded <input type="checkbox"/>	Permanently Flooded <input type="checkbox"/>
Semipermanently Flooded <input type="checkbox"/>	Seasonally Flooded <input type="checkbox"/>	Temporarily Flooded <input type="checkbox"/>
Permanently Saturated <input type="checkbox"/>	Seasonally Saturated/seepage <input checked="" type="checkbox"/>	Seasonally Saturated/perched <input type="checkbox"/>
Comments: None		

**WETLAND TYPE:**

Emergent <input checked="" type="checkbox"/>	Scrub-shrub <input checked="" type="checkbox"/>	Forested <input checked="" type="checkbox"/>
Open Water <input type="checkbox"/>	Disturbed <input type="checkbox"/>	Wet Meadow <input type="checkbox"/>
Comments:		

**WATERCOURSE TYPE:**

Perennial <input type="checkbox"/>	Intermittent <input type="checkbox"/>	Ephemeral <input type="checkbox"/>
Watercourse Name: None		
Comments:		

**SPECIAL AQUATIC HABITAT:**

Vernal Pool : Yes <input type="checkbox"/> No <input checked="" type="checkbox"/> Potential <input type="checkbox"/>	Other <input type="checkbox"/>
Vernal Pool Habitat Type: None	
Comments: None	

**WETLAND SOIL TYPE (s):**

Soil Types: Woodbridge fine sandy loam
--

**DOMINANT PLANTS:**

Poison Ivy (Toxicodendron radicans)	
Skunk Cabbage (Symplocarpus foetidus)	
Golden Rod (Solidago)	
Multiflora Rose* (Rosa multiflora)	
Red Maple (Acer rubrum)	
Common Grapevine (Vitis vinifera)	

*\* denotes Connecticut Invasive Species Council invasive plant species*

**GENERAL COMMENTS:**



**Wetland Characteristics Summary Form**

Wetland I.D.:	45
Flag #'s:	

**WETLAND HYDROLOGY:**

Intermittently Flooded <input type="checkbox"/>	Artificially Flooded <input type="checkbox"/>	Permanently Flooded <input type="checkbox"/>
Semipermanently Flooded <input type="checkbox"/>	Seasonally Flooded <input checked="" type="checkbox"/>	Temporarily Flooded <input type="checkbox"/>
Permanently Saturated <input type="checkbox"/>	Seasonally Saturated/seepage <input checked="" type="checkbox"/>	Seasonally Saturated/perched <input type="checkbox"/>
Comments: None		

**WETLAND TYPE:**

Emergent <input checked="" type="checkbox"/>	Scrub-shrub <input checked="" type="checkbox"/>	Forested <input checked="" type="checkbox"/>
Open Water <input type="checkbox"/>	Disturbed <input type="checkbox"/>	Wet Meadow <input type="checkbox"/>
Comments:		

**WATERCOURSE TYPE:**

Perennial <input type="checkbox"/>	Intermittent <input type="checkbox"/>	Ephemeral <input type="checkbox"/>
Watercourse Name: None		
Comments:		

**SPECIAL AQUATIC HABITAT:**

Vernal Pool : Yes <input checked="" type="checkbox"/> No <input type="checkbox"/> Potential <input type="checkbox"/>	Other <input type="checkbox"/>
Vernal Pool Habitat Type: 'Cryptic'	
Comments: VP15 and VP16	

**WETLAND SOIL TYPE (s):**

Soil Types: Timakwa and Natchaug
----------------------------------

**DOMINANT PLANTS:**

Skunk Cabbage ( <i>Symplocarpus foetidus</i> )	
Common Reed* ( <i>Phragmites australis</i> )	
Common Cattail ( <i>Typha latifolia</i> )	
Multiflora Rose* ( <i>Rosa multiflora</i> )	
Red Maple ( <i>Acer rubrum</i> )	
Common Grapevine ( <i>Vitis vinifera</i> )	

\* denotes Connecticut Invasive Species Council invasive plant species

**GENERAL COMMENTS:**

--

### Wetland Characteristics Summary Form

Wetland I.D.:	46
Flag #'s:	

**WETLAND HYDROLOGY:**

Intermittently Flooded <input type="checkbox"/>	Artificially Flooded <input type="checkbox"/>	Permanently Flooded <input type="checkbox"/>
Semipermanently Flooded <input type="checkbox"/>	Seasonally Flooded <input type="checkbox"/>	Temporarily Flooded <input type="checkbox"/>
Permanently Saturated <input type="checkbox"/>	Seasonally Saturated/seepage <input checked="" type="checkbox"/>	Seasonally Saturated/perched <input checked="" type="checkbox"/>
Comments: None		

**WETLAND TYPE:**

Emergent <input checked="" type="checkbox"/>	Scrub-shrub <input checked="" type="checkbox"/>	Forested <input checked="" type="checkbox"/>
Open Water <input type="checkbox"/>	Disturbed <input type="checkbox"/>	Wet Meadow <input type="checkbox"/>
Comments:		

**WATERCOURSE TYPE:**

Perennial <input type="checkbox"/>	Intermittent <input type="checkbox"/>	Ephemeral <input type="checkbox"/>
Watercourse Name: None		
Comments:		

**SPECIAL AQUATIC HABITAT:**

Vernal Pool : Yes <input type="checkbox"/> No <input checked="" type="checkbox"/> Potential <input type="checkbox"/>	Other <input type="checkbox"/>
Vernal Pool Habitat Type: None	
Comments: None	

**WETLAND SOIL TYPE (s):**

Soil Types: Charlton-Chatfield complex
--

**DOMINANT PLANTS:**

Skunk Cabbage ( <i>Symplocarpus foetidus</i> )	
Common Reed* ( <i>Phragmites australis</i> )	
Multiflora Rose* ( <i>Rosa multiflora</i> )	
Highbush Blueberry ( <i>Vaccinium corymbosum</i> )	
Red Maple ( <i>Acer rubrum</i> )	
Common Grapevine ( <i>Vitis vinifera</i> )	

*\* denotes Connecticut Invasive Species Council invasive plant species*

**GENERAL COMMENTS:**

### Wetland Characteristics Summary Form

Wetland I.D.:	47
Flag #'s:	

**WETLAND HYDROLOGY:**

Intermittently Flooded <input type="checkbox"/>	Artificially Flooded <input type="checkbox"/>	Permanently Flooded <input type="checkbox"/>
Semipermanently Flooded <input type="checkbox"/>	Seasonally Flooded <input type="checkbox"/>	Temporarily Flooded <input type="checkbox"/>
Permanently Saturated <input type="checkbox"/>	Seasonally Saturated/seepage <input checked="" type="checkbox"/>	Seasonally Saturated/perched <input checked="" type="checkbox"/>
Comments: None		

**WETLAND TYPE:**

Emergent <input type="checkbox"/>	Scrub-shrub <input type="checkbox"/>	Forested <input checked="" type="checkbox"/>
Open Water <input type="checkbox"/>	Disturbed <input type="checkbox"/>	Wet Meadow <input type="checkbox"/>
Comments:		

**WATERCOURSE TYPE:**

Perennial <input type="checkbox"/>	Intermittent <input type="checkbox"/>	Ephemeral <input type="checkbox"/>
Watercourse Name: None		
Comments:		

**SPECIAL AQUATIC HABITAT:**

Vernal Pool : Yes <input type="checkbox"/> No <input checked="" type="checkbox"/> Potential <input type="checkbox"/>	Other <input type="checkbox"/>
Vernal Pool Habitat Type: None	
Comments: None	

**WETLAND SOIL TYPE (s):**

Soil Types: Woodbridge fine sandy loam
--

**DOMINANT PLANTS:**

Skunk Cabbage ( <i>Symplocarpus foetidus</i> )	Witchhazel ( <i>Hamamelis virginiana</i> )
Red Maple ( <i>Acer rubrum</i> )	
Multiflora Rose* ( <i>Rosa multiflora</i> )	
Highbush Blueberry ( <i>Vaccinium corymbosum</i> )	
Poison Ivy ( <i>Toxicodendron radicans</i> )	
Silky Dogwood ( <i>Cornus amomum</i> )	

*\* denotes Connecticut Invasive Species Council invasive plant species*

**GENERAL COMMENTS:**



### Wetland Characteristics Summary Form

Wetland I.D.:	48
Flag #'s:	

**WETLAND HYDROLOGY:**

Intermittently Flooded <input type="checkbox"/>	Artificially Flooded <input type="checkbox"/>	Permanently Flooded <input type="checkbox"/>
Semipermanently Flooded <input type="checkbox"/>	Seasonally Flooded <input type="checkbox"/>	Temporarily Flooded <input type="checkbox"/>
Permanently Saturated <input type="checkbox"/>	Seasonally Saturated/seepage <input checked="" type="checkbox"/>	Seasonally Saturated/perched <input checked="" type="checkbox"/>
Comments: None		

**WETLAND TYPE:**

Emergent <input checked="" type="checkbox"/>	Scrub-shrub <input checked="" type="checkbox"/>	Forested <input type="checkbox"/>
Open Water <input type="checkbox"/>	Disturbed <input type="checkbox"/>	Wet Meadow <input type="checkbox"/>
Comments:		

**WATERCOURSE TYPE:**

Perennial <input type="checkbox"/>	Intermittent <input type="checkbox"/>	Ephemeral <input type="checkbox"/>
Watercourse Name: None		
Comments:		

**SPECIAL AQUATIC HABITAT:**

Vernal Pool : Yes <input type="checkbox"/> No <input checked="" type="checkbox"/> Potential <input type="checkbox"/>	Other <input type="checkbox"/>
Vernal Pool Habitat Type: None	
Comments: None	

**WETLAND SOIL TYPE (s):**

Soil Types: Woodbridge fine sandy loam
--

**DOMINANT PLANTS:**

Skunk Cabbage ( <i>Symplocarpus foetidus</i> )	Soft Rush ( <i>Juncus effuses</i> )
Common Reed* ( <i>Phragmites australis</i> )	Golden Rod ( <i>Solidago</i> )
Sensitive Fern ( <i>Onoclea sensibilis</i> )	
Common Grapevine ( <i>Vitis vinifera</i> )	
Poison Ivy ( <i>Toxicodendron radicans</i> )	
Silky Dogwood ( <i>Cornus amomum</i> )	

*\* denotes Connecticut Invasive Species Council invasive plant species*

**GENERAL COMMENTS:**

### Wetland Characteristics Summary Form

Wetland I.D.:	49
Flag #'s:	

**WETLAND HYDROLOGY:**

Intermittently Flooded <input type="checkbox"/>	Artificially Flooded <input type="checkbox"/>	Permanently Flooded <input type="checkbox"/>
Semipermanently Flooded <input type="checkbox"/>	Seasonally Flooded <input type="checkbox"/>	Temporarily Flooded <input type="checkbox"/>
Permanently Saturated <input type="checkbox"/>	Seasonally Saturated/seepage <input checked="" type="checkbox"/>	Seasonally Saturated/perched <input checked="" type="checkbox"/>
Comments: None		

**WETLAND TYPE:**

Emergent <input checked="" type="checkbox"/>	Scrub-shrub <input checked="" type="checkbox"/>	Forested <input type="checkbox"/>
Open Water <input type="checkbox"/>	Disturbed <input type="checkbox"/>	Wet Meadow <input type="checkbox"/>
Comments:		

**WATERCOURSE TYPE:**

Perennial <input type="checkbox"/>	Intermittent <input type="checkbox"/>	Ephemeral <input type="checkbox"/>
Watercourse Name: None		
Comments:		

**SPECIAL AQUATIC HABITAT:**

Vernal Pool : Yes <input type="checkbox"/> No <input checked="" type="checkbox"/> Potential <input type="checkbox"/>	Other <input type="checkbox"/>
Vernal Pool Habitat Type: None	
Comments: None	

**WETLAND SOIL TYPE (s):**

Soil Types: Charlton-Chatfield complex
--

**DOMINANT PLANTS:**

Skunk Cabbage ( <i>Symplocarpus foetidus</i> )	Multiflora Rose* ( <i>Rosa multiflora</i> )
Common Reed* ( <i>Phragmites australis</i> )	
Sensitive Fern ( <i>Onoclea sensibilis</i> )	
Common Grapevine ( <i>Vitis vinifera</i> )	
Greenbrier ( <i>Smilax rotundifolia</i> )	
Golden Rod ( <i>Solidago</i> )	

*\* denotes Connecticut Invasive Species Council invasive plant species*

**GENERAL COMMENTS:**

### Wetland Characteristics Summary Form

Wetland I.D.:	50
Flag #'s:	

**WETLAND HYDROLOGY:**

Intermittently Flooded <input type="checkbox"/>	Artificially Flooded <input type="checkbox"/>	Permanently Flooded <input type="checkbox"/>
Semipermanently Flooded <input type="checkbox"/>	Seasonally Flooded <input type="checkbox"/>	Temporarily Flooded <input type="checkbox"/>
Permanently Saturated <input type="checkbox"/>	Seasonally Saturated/seepage <input checked="" type="checkbox"/>	Seasonally Saturated/perched <input checked="" type="checkbox"/>
Comments: None		

**WETLAND TYPE:**

Emergent <input checked="" type="checkbox"/>	Scrub-shrub <input checked="" type="checkbox"/>	Forested <input checked="" type="checkbox"/>
Open Water <input type="checkbox"/>	Disturbed <input type="checkbox"/>	Wet Meadow <input type="checkbox"/>
Comments:		

**WATERCOURSE TYPE:**

Perennial <input type="checkbox"/>	Intermittent <input type="checkbox"/>	Ephemeral <input type="checkbox"/>
Watercourse Name: None		
Comments:		

**SPECIAL AQUATIC HABITAT:**

Vernal Pool : Yes <input type="checkbox"/> No <input checked="" type="checkbox"/> Potential <input type="checkbox"/>	Other <input type="checkbox"/>
Vernal Pool Habitat Type: None	
Comments: None	

**WETLAND SOIL TYPE (s):**

Soil Types: Ridgebury, Leicester, and Whitman
---

**DOMINANT PLANTS:**

Skunk Cabbage ( <i>Symplocarpus foetidus</i> )	Cinnamon Fern ( <i>Osmunda cinnamomea</i> )
Sensitive Fern ( <i>Onoclea sensibilis</i> )	
Poison Ivy ( <i>Toxicodendron radicans</i> )	
Common Grapevine ( <i>Vitis vinifera</i> )	
Sweet Pepperbush ( <i>Clethra alnifolia</i> )	
Golden Rod ( <i>Solidago</i> )	

*\* denotes Connecticut Invasive Species Council invasive plant species*

**GENERAL COMMENTS:**

### Wetland Characteristics Summary Form

Wetland I.D.:	51
Flag #'s:	

**WETLAND HYDROLOGY:**

Intermittently Flooded <input type="checkbox"/>	Artificially Flooded <input type="checkbox"/>	Permanently Flooded <input type="checkbox"/>
Semipermanently Flooded <input type="checkbox"/>	Seasonally Flooded <input type="checkbox"/>	Temporarily Flooded <input type="checkbox"/>
Permanently Saturated <input type="checkbox"/>	Seasonally Saturated/seepage <input checked="" type="checkbox"/>	Seasonally Saturated/perched <input checked="" type="checkbox"/>
Comments: None		

**WETLAND TYPE:**

Emergent <input checked="" type="checkbox"/>	Scrub-shrub <input checked="" type="checkbox"/>	Forested <input type="checkbox"/>
Open Water <input type="checkbox"/>	Disturbed <input type="checkbox"/>	Wet Meadow <input type="checkbox"/>
Comments:		

**WATERCOURSE TYPE:**

Perennial <input type="checkbox"/>	Intermittent <input type="checkbox"/>	Ephemeral <input type="checkbox"/>
Watercourse Name: None		
Comments:		

**SPECIAL AQUATIC HABITAT:**

Vernal Pool : Yes <input type="checkbox"/> No <input checked="" type="checkbox"/> Potential <input type="checkbox"/>	Other <input type="checkbox"/>
Vernal Pool Habitat Type: None	
Comments: None	

**WETLAND SOIL TYPE (s):**

Soil Types: Sutton fine sandy loam
------------------------------------

**DOMINANT PLANTS:**

Joe Pye Weed ( <i>Eupatorium maculatum</i> )	
Sensitive Fern ( <i>Onoclea sensibilis</i> )	
Greenbrier ( <i>Smilax rotundifolia</i> )	
Common Grapevine ( <i>Vitis vinifera</i> )	
Multiflora Rose* ( <i>Rosa multiflora</i> )	

*\* denotes Connecticut Invasive Species Council invasive plant species*

**GENERAL COMMENTS:**



### Wetland Characteristics Summary Form

Wetland I.D.:	52
Flag #'s:	

**WETLAND HYDROLOGY:**

Intermittently Flooded <input type="checkbox"/>	Artificially Flooded <input type="checkbox"/>	Permanently Flooded <input type="checkbox"/>
Semipermanently Flooded <input type="checkbox"/>	Seasonally Flooded <input type="checkbox"/>	Temporarily Flooded <input type="checkbox"/>
Permanently Saturated <input type="checkbox"/>	Seasonally Saturated/seepage <input checked="" type="checkbox"/>	Seasonally Saturated/perched <input checked="" type="checkbox"/>
Comments: None		

**WETLAND TYPE:**

Emergent <input checked="" type="checkbox"/>	Scrub-shrub <input checked="" type="checkbox"/>	Forested <input type="checkbox"/>
Open Water <input type="checkbox"/>	Disturbed <input type="checkbox"/>	Wet Meadow <input type="checkbox"/>
Comments:		

**WATERCOURSE TYPE:**

Perennial <input type="checkbox"/>	Intermittent <input type="checkbox"/>	Ephemeral <input type="checkbox"/>
Watercourse Name: None		
Comments:		

**SPECIAL AQUATIC HABITAT:**

Vernal Pool : Yes <input type="checkbox"/> No <input type="checkbox"/> Potential <input type="checkbox"/>	Other <input type="checkbox"/>
Vernal Pool Habitat Type: None	
Comments: None	

**WETLAND SOIL TYPE (s):**

Soil Types: Sutton fine sandy loam
------------------------------------

**DOMINANT PLANTS:**

Pin Oak ( <i>Quercus palustris</i> )	
Royal Fern ( <i>Osmunda regalis</i> )	
Greenbrier ( <i>Smilax rotundifolia</i> )	
Common Grapevine ( <i>Vitis vinifera</i> )	
Multiflora Rose* ( <i>Rosa multiflora</i> )	

*\* denotes Connecticut Invasive Species Council invasive plant species*

**GENERAL COMMENTS:**

### Wetland Characteristics Summary Form

Wetland I.D.:	53
Flag #'s:	

**WETLAND HYDROLOGY:**

Intermittently Flooded <input type="checkbox"/>	Artificially Flooded <input type="checkbox"/>	Permanently Flooded <input type="checkbox"/>
Semipermanently Flooded <input type="checkbox"/>	Seasonally Flooded <input type="checkbox"/>	Temporarily Flooded <input type="checkbox"/>
Permanently Saturated <input type="checkbox"/>	Seasonally Saturated/seepage <input checked="" type="checkbox"/>	Seasonally Saturated/perched <input checked="" type="checkbox"/>
Comments: None		

**WETLAND TYPE:**

Emergent <input checked="" type="checkbox"/>	Scrub-shrub <input checked="" type="checkbox"/>	Forested <input type="checkbox"/>
Open Water <input type="checkbox"/>	Disturbed <input type="checkbox"/>	Wet Meadow <input type="checkbox"/>
Comments:		

**WATERCOURSE TYPE:**

Perennial <input type="checkbox"/>	Intermittent <input type="checkbox"/>	Ephemeral <input type="checkbox"/>
Watercourse Name: None		
Comments:		

**SPECIAL AQUATIC HABITAT:**

Vernal Pool : Yes <input type="checkbox"/> No <input type="checkbox"/> Potential <input type="checkbox"/>	Other <input type="checkbox"/>
Vernal Pool Habitat Type: None	
Comments: None	

**WETLAND SOIL TYPE (s):**

Soil Types: Urban land
------------------------

**DOMINANT PLANTS:**

Sensitive Fern ( <i>Onoclea sensibilis</i> )	
Greenbrier ( <i>Smilax rotundifolia</i> )	
Common Grapevine ( <i>Vitis vinifera</i> )	
Multiflora Rose* ( <i>Rosa multiflora</i> )	

*\* denotes Connecticut Invasive Species Council invasive plant species*

**GENERAL COMMENTS:**

### Wetland Characteristics Summary Form

Wetland I.D.:	54
Flag #'s:	

**WETLAND HYDROLOGY:**

Intermittently Flooded <input type="checkbox"/>	Artificially Flooded <input type="checkbox"/>	Permanently Flooded <input type="checkbox"/>
Semipermanently Flooded <input type="checkbox"/>	Seasonally Flooded <input type="checkbox"/>	Temporarily Flooded <input type="checkbox"/>
Permanently Saturated <input type="checkbox"/>	Seasonally Saturated/seepage <input checked="" type="checkbox"/>	Seasonally Saturated/perched <input checked="" type="checkbox"/>
Comments: None		

**WETLAND TYPE:**

Emergent <input checked="" type="checkbox"/>	Scrub-shrub <input checked="" type="checkbox"/>	Forested <input type="checkbox"/>
Open Water <input type="checkbox"/>	Disturbed <input type="checkbox"/>	Wet Meadow <input type="checkbox"/>
Comments:		

**WATERCOURSE TYPE:**

Perennial <input type="checkbox"/>	Intermittent <input type="checkbox"/>	Ephemeral <input type="checkbox"/>
Watercourse Name: None		
Comments:		

**SPECIAL AQUATIC HABITAT:**

Vernal Pool : Yes <input type="checkbox"/> No <input checked="" type="checkbox"/> Potential <input type="checkbox"/>	Other <input type="checkbox"/>
Vernal Pool Habitat Type: None	
Comments: None	

**WETLAND SOIL TYPE (s):**

Soil Types: Raypol silt loam
------------------------------

**DOMINANT PLANTS:**

Jewelweed ( <i>Impatiens capensis</i> )	Mugwort* ( <i>Artemisia vulgaris</i> )
Skunk Cabbage ( <i>Symplocarpus foetidus</i> )	
Red Maple ( <i>Acer rubrum</i> )	
Common Grapevine ( <i>Vitis vinifera</i> )	
Multiflora Rose* ( <i>Rosa multiflora</i> )	

*\* denotes Connecticut Invasive Species Council invasive plant species*

**GENERAL COMMENTS:**

**Wetland Characteristics Summary Form**

Wetland I.D.:	55
Flag #'s:	

**WETLAND HYDROLOGY:**

Intermittently Flooded <input type="checkbox"/>	Artificially Flooded <input type="checkbox"/>	Permanently Flooded <input type="checkbox"/>
Semipermanently Flooded <input type="checkbox"/>	Seasonally Flooded <input checked="" type="checkbox"/>	Temporarily Flooded <input type="checkbox"/>
Permanently Saturated <input type="checkbox"/>	Seasonally Saturated/seepage <input checked="" type="checkbox"/>	Seasonally Saturated/perched <input type="checkbox"/>
Comments: None		

**WETLAND TYPE:**

Emergent <input checked="" type="checkbox"/>	Scrub-shrub <input checked="" type="checkbox"/>	Forested <input type="checkbox"/>
Open Water <input type="checkbox"/>	Disturbed <input type="checkbox"/>	Wet Meadow <input type="checkbox"/>
Comments:		

**WATERCOURSE TYPE:**

Perennial <input type="checkbox"/>	Intermittent <input type="checkbox"/>	Ephemeral <input type="checkbox"/>
Watercourse Name: None		
Comments:		

**SPECIAL AQUATIC HABITAT:**

Vernal Pool : Yes <input checked="" type="checkbox"/> No <input type="checkbox"/> Potential <input type="checkbox"/>	Other <input type="checkbox"/>
Vernal Pool Habitat Type: 'Cryptic'	
Comments: VP 17	

**WETLAND SOIL TYPE (s):**

Soil Types: Ridgebury, Leicester, and Whitman
---

**DOMINANT PLANTS:**

Common Reed* (Phragmites australis)	
Skunk Cabbage (Symplocarpus foetidus)	
Golden Rod (Solidago)	
Common Grapevine (Vitis vinifera)	
Multiflora Rose* (Rosa multiflora)	

\* denotes Connecticut Invasive Species Council invasive plant species

**GENERAL COMMENTS:**

--