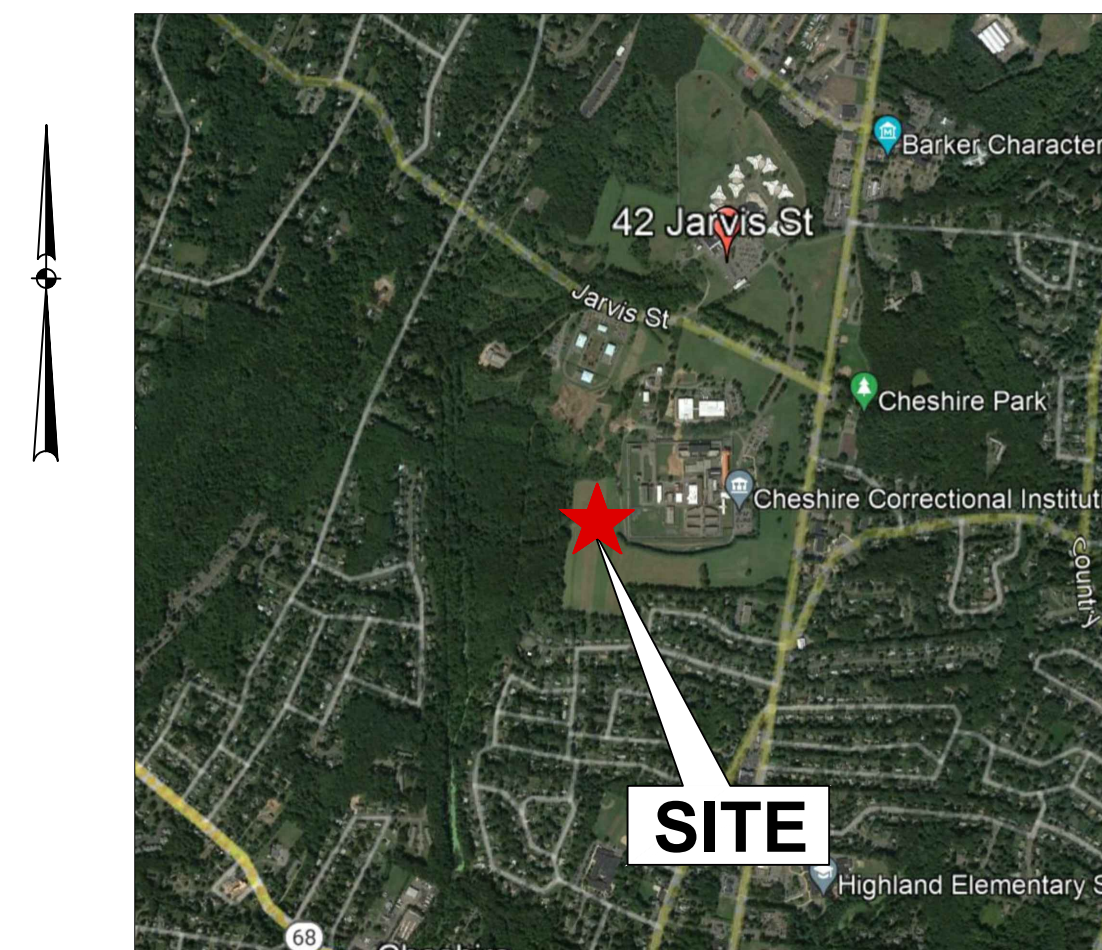


CT Green Bank Department of Corrections Solar

Maloney & Webster Correctional Institution
900 Highland Avenue
Cheshire, Connecticut



VICINITY MAP
1"=2,000'
LATITUDE: 41.521150°
LONGITUDE: -72.904658°

Applicant

CT Green Bank
75 Charter Oak Ave., Suite 1-103
Hartford, CT 06106

Owner

Connecticut State Reformatory
900 Highland Avenue
Cheshire, CT 06410

Prepared By

SUNPOWER®

1414 HARBOUR WAY SOUTH
RICHMOND, CA 94804 USA
(510) 540-0550



PERMIT PLANS

DRAWING INDEX

SHEET TITLE	SHEET NO.	LATEST REVISION
CIVIL		
COVER SHEET	C-000	4-26-22
OVERALL SITE PLAN	C-100	4-26-22
SITE PLAN (40-SCALE)	C-101	4-26-22
SITE PLAN (40-SCALE)	C-102	4-26-22
SITE PLAN (40-SCALE)	C-103	4-26-22
EROSION & SEDIMENT CONTROL NOTES	C-201	4-26-22
DETAILS	C-202	4-26-22

Test Pit Data:
Observed by J.R. Russo & Associates on
2-09-22

TP 8
0'-12" Sandy Loam Topsoil
12'-22" Lt. Brown Fine Sandy Loam
22'-96" Red/Brown Silty Fine-Coarse
Sand & Gravel, Firm
No Water, No Ledge, Possible Mottles @74"

TP 9
0'-12" Sandy Loam Topsoil
12'-28" Lt. Brown Fine Sandy Loam w/
Gravel
28'-96" Red/Brown Silty Fine-Coarse
Sand & Gravel, Firm
No Water, No Ledge, Possible Mottles @62"

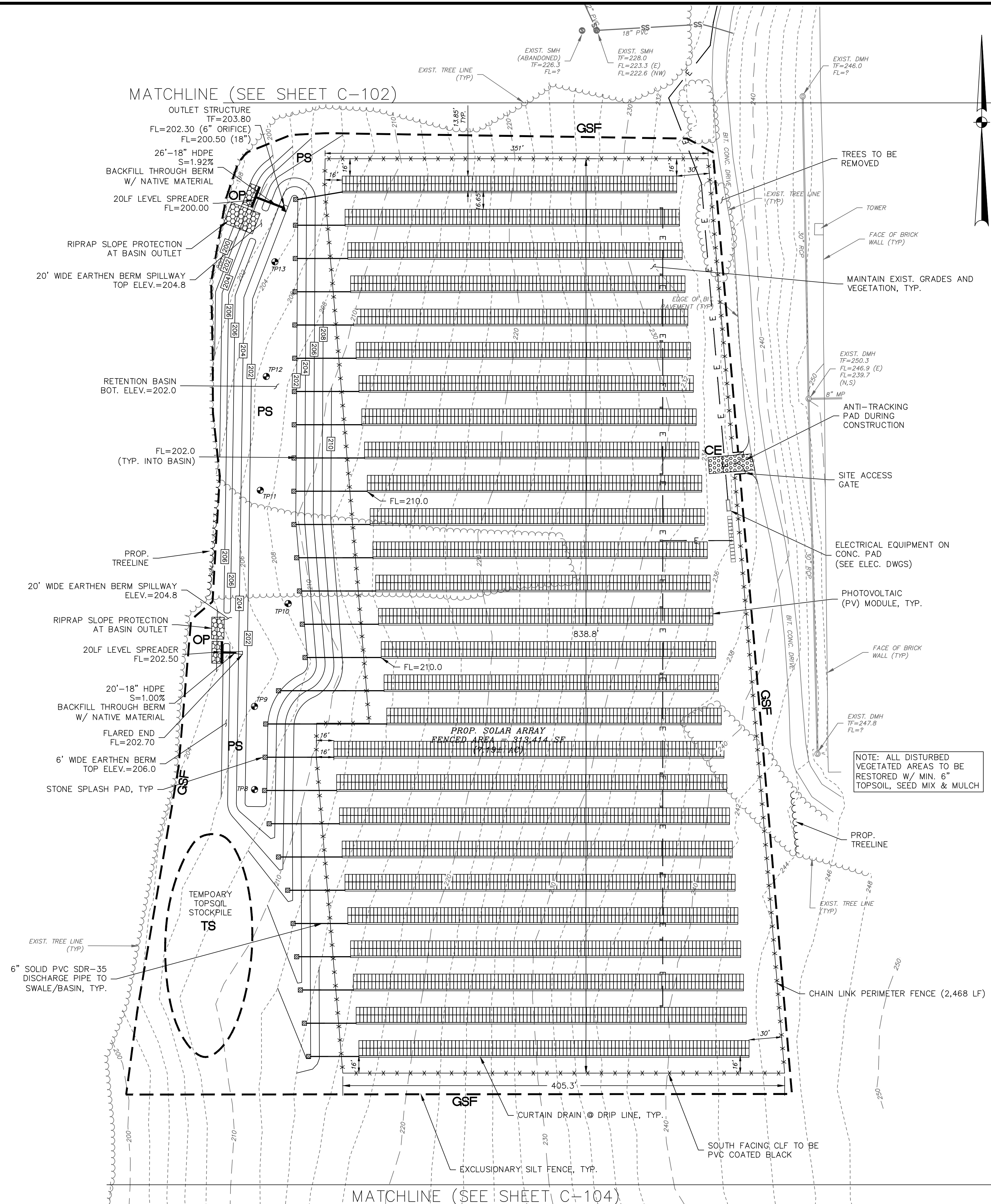
TP 10
0'-10" Sandy Loam Topsoil
10'-24" Lt. Brown Fine Sandy Loam
22'-96" Red/Brown Sandy Loam
w/ Gravel, Firm
No Water, No Ledge, No Mottles

TP 11
0'-12" Sandy Loam Topsoil
12'-26" Lt. Brown Fine Sandy Loam w/
Gravel
26'-96" Red/Brown Silty Fine-Coarse
Sand & Gravel, Firm
No Water, No Ledge, Possible Mottles @72"

TP 12
0'-12" Sandy Loam Topsoil
12'-36" Lt. Brown Fine Sandy Loam
36'-96" Red/Brown Sandy Loam w/
Gravel, Firm
No Water, No Ledge, Possible Mottles @60"

TP 13
0'-10" Sandy Loam Topsoil
10'-42" Lt. Brown Fine Sandy Loam
42'-96" Gravel, Firm
No Water, No Ledge, Possible Mottles @72"

Permeability Results:
TP8/42"-46": 22.64 in/hr
TP9/44"-48": 4.691 in/hr
TP10/40"-44": 1.251 in/hr
TP11/44"-48": 2.31 in/hr
TP12/44"-48": 3.761 in/hr
TP13/44"-48": 0.721 in/hr



LEGEND

□	EXISTING UTILITY HANDHOLE
□	EXISTING ELECTRIC HANDHOLE
□	EXISTING ELECTRIC MANHOLE
□	EXISTING TELECOMMUNICATIONS MANHOLE
□	EXISTING UTILITY POLE
□	EXISTING LIGHT POLE
—	EXISTING OVERHEAD UTILITIES
—	EXISTING UNDERGROUND ELECTRIC
—	EXISTING UNDERGROUND TELECOMM
—	PROPOSED UNDERGROUND ELECTRIC
—	EXISTING WATER GATE
—	EXISTING HYDRANT
—	EXISTING WATER
—	EXISTING GAS GATE
—	EXISTING GAS LINE
—	EXISTING CATCH BASIN
—	EXISTING DRAINAGE MANHOLE
—	EXISTING STORM SEWER
—	PROPOSED STORM SEWER
—	EXISTING SANITARY MANHOLE
—	EXISTING SANITARY SEWER
—	EXISTING SIGN
—	EXISTING IRON PIN (FOUND)
—	EXISTING MONUMENT (FOUND)
—	EXISTING SPOT GRADE
—	PROPOSED SPOT GRADE
—	EXISTING CONTOUR
—	PROPOSED CONTOUR
—	EXISTING TREELINE
—	LIMIT OF WETLANDS
—	PROPERTY LINE
—	EASEMENT LINE
—	SEDIMENT BARRIER

Reference Maps:

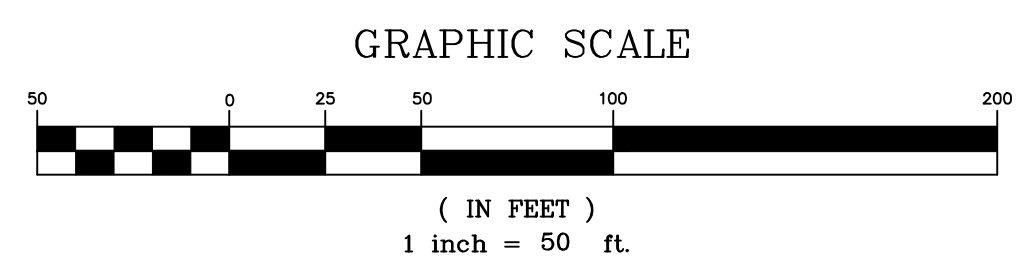
- "Site Distribution Plan State of Connecticut Public Works Department, Central Plan, Juvenile Corrections Community, Cheshire, Connecticut, Drawing No. H-1, Scale: 1"=100' Date: Dec. 15, 1974 As-built 5-27-81" by Jacob Koton, P.E.

Notes:

- Portion of the parcel is located in inland wetlands as delineated by Davison Environmental in October 2021.
- Parcel is not located in a flood hazard zone per FEMA Flood panel nos. 09009C0143H & 09009C0143J.
- Horizontal datum based on N.A.D. 1983. Elevations based on N.A.V.D. 1988 Datum.
- All underground utility locations on this plan are approximate and may not be complete. Anyone using this information without verifying the locations does so at their own risk. No construction will be done on this site prior to utility mark out. "Call Before You Dig 1-800-922-4455".

EROSION & SEDIMENT CONTROL PLAN KEY

PS	PERMANENT SEEDING
TS	TEMPORARY SEEDING
CE	CONSTRUCTION ENTRANCE
GSF	GEOTEXTILE SILT FENCE
OP	OUTLET PROTECTION



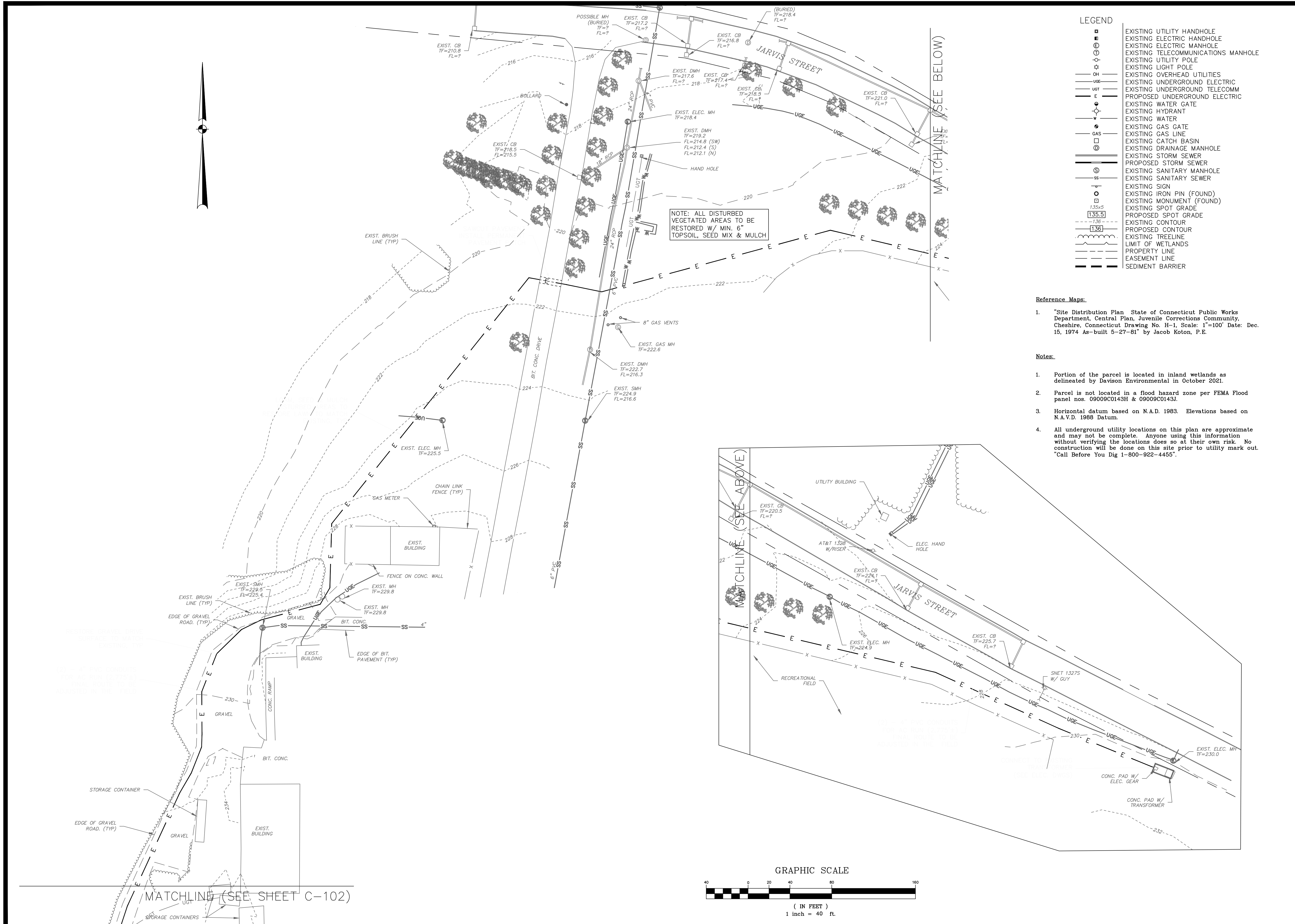
REVISIONS

BY: LF/TAC	CHK: JEU
------------	----------

Connecticut Green Bank
Maloney & Webster
(Cheshire Correctional)
900 Highland Avenue
Cheshire, Connecticut

Site Plan

DATE	4-26-22
SCALE	1"=50'
JOB NUMBER	2021-040
SHEET	C-101



LEGEND

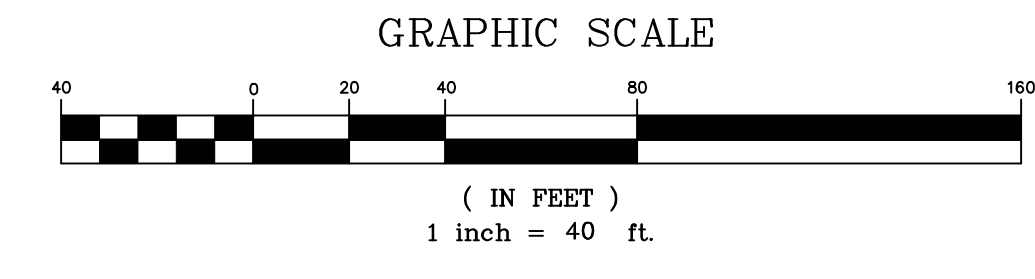
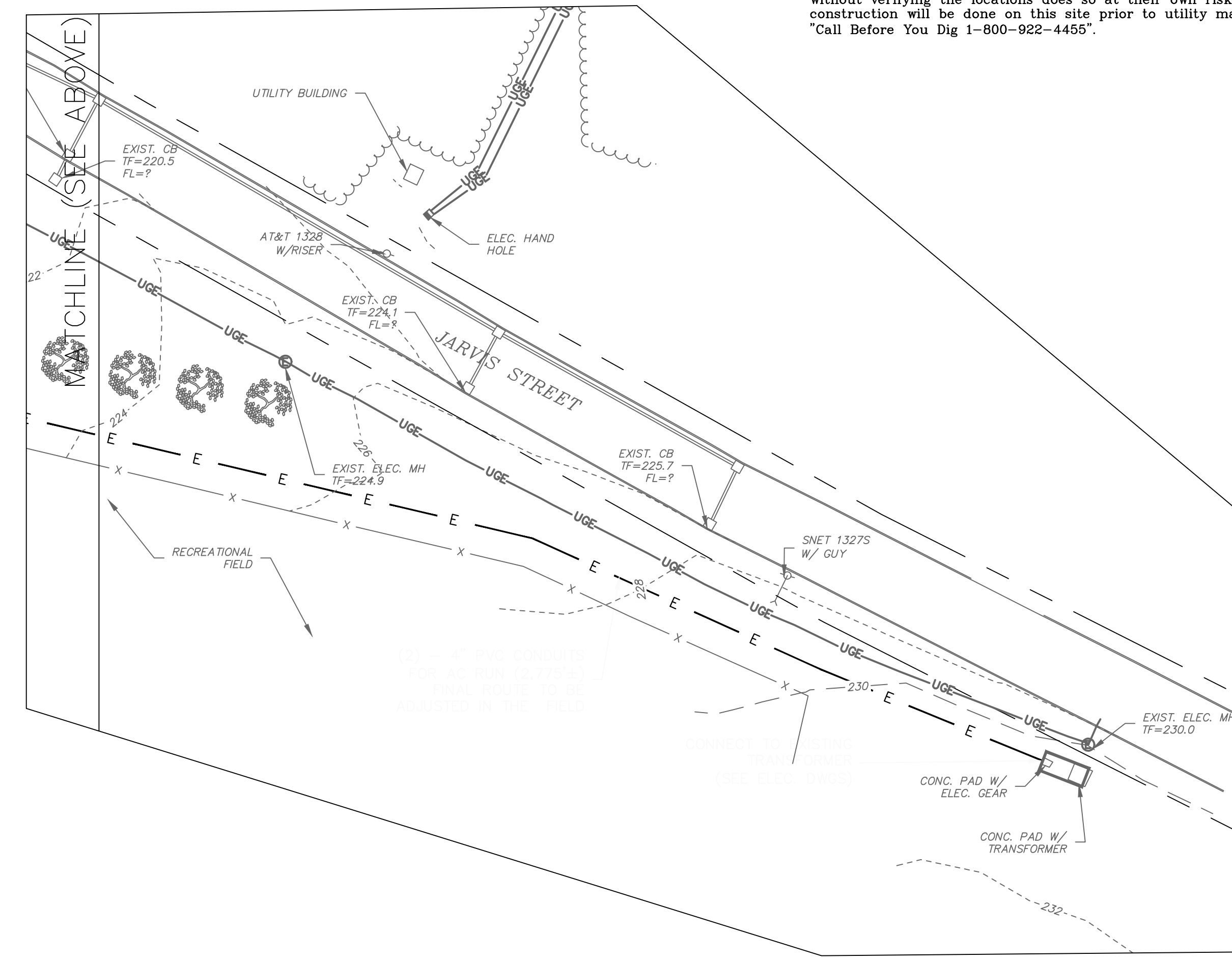
□	EXISTING UTILITY HANDHOLE
○	EXISTING ELECTRIC HANDHOLE
○	EXISTING ELECTRIC MANHOLE
○	EXISTING TELECOMMUNICATIONS MANHOLE
○	EXISTING UTILITY POLE
○	EXISTING LIGHT POLE
○	EXISTING OVERHEAD UTILITIES
—	EXISTING UNDERGROUND ELECTRIC
—	EXISTING UNDERGROUND TELECOMM
—	PROPOSED UNDERGROUND ELECTRIC
—	EXISTING WATER GATE
—	EXISTING HYDRANT
—	EXISTING WATER
—	EXISTING GAS GATE
—	EXISTING GAS LINE
—	EXISTING CATCH BASIN
—	EXISTING DRAINAGE MANHOLE
—	EXISTING STORM SEWER
—	PROPOSED STORM SEWER
—	EXISTING SANITARY MANHOLE
—	EXISTING SANITARY SEWER
—	EXISTING SIGN
—	EXISTING IRON PIN (FOUND)
—	EXISTING MONUMENT (FOUND)
—	EXISTING SPOT GRADE
—	PROPOSED SPOT GRADE
—	EXISTING CONTOUR
—	PROPOSED CONTOUR
—	EXISTING TREELINE
—	LIMIT OF WETLANDS
—	PROPERTY LINE
—	EASEMENT LINE
—	SEDIMENT BARRIER

Reference Maps:

- "Site Distribution Plan, State of Connecticut Public Works Department, Central Plan, Juvenile Corrections Community, Cheshire, Connecticut Drawing No. H-1, Scale: 1"=100' Date: Dec. 15, 1974 As-built 5-27-81" by Jacob Koton, P.E.

Notes:

- Portion of the parcel is located in inland wetlands as delineated by Davison Environmental in October 2021.
- Parcel is not located in a flood hazard zone per FEMA Flood panel nos. 09009C0143H & 09009C0143J.
- Horizontal datum based on N.A.D. 1983. Elevations based on N.A.V.D. 1988 Datum.
- All underground utility locations on this plan are approximate and may not be complete. Anyone using this information without verifying the locations does so at their own risk. No construction will be done on this site prior to utility mark out. "Call Before You Dig 1-800-922-4455".



RUSSO
SURVEYORS-ENGINEERS
SERVING CT & MA
J.R. Russo & Associates, LLC
150 Main St. West Windsor, CT 06095 • CT 860.232.0999 • MA 403.780.1989
www.russosurveyors.com • info@russosurveyors.com

Alternative Power Generation Inc.

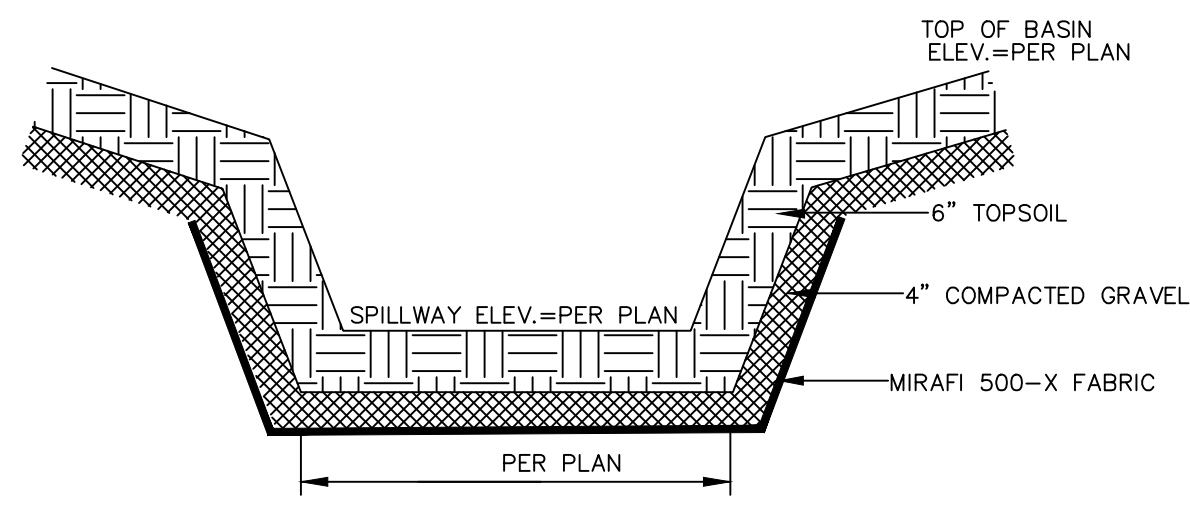
SUNPOWER
1414 HARBOUR WAY SOUTH
RICHMOND, GA 34804 USA
(510) 640-0550

REVISIONS	
BY: LF/TAC	CHK: JEU

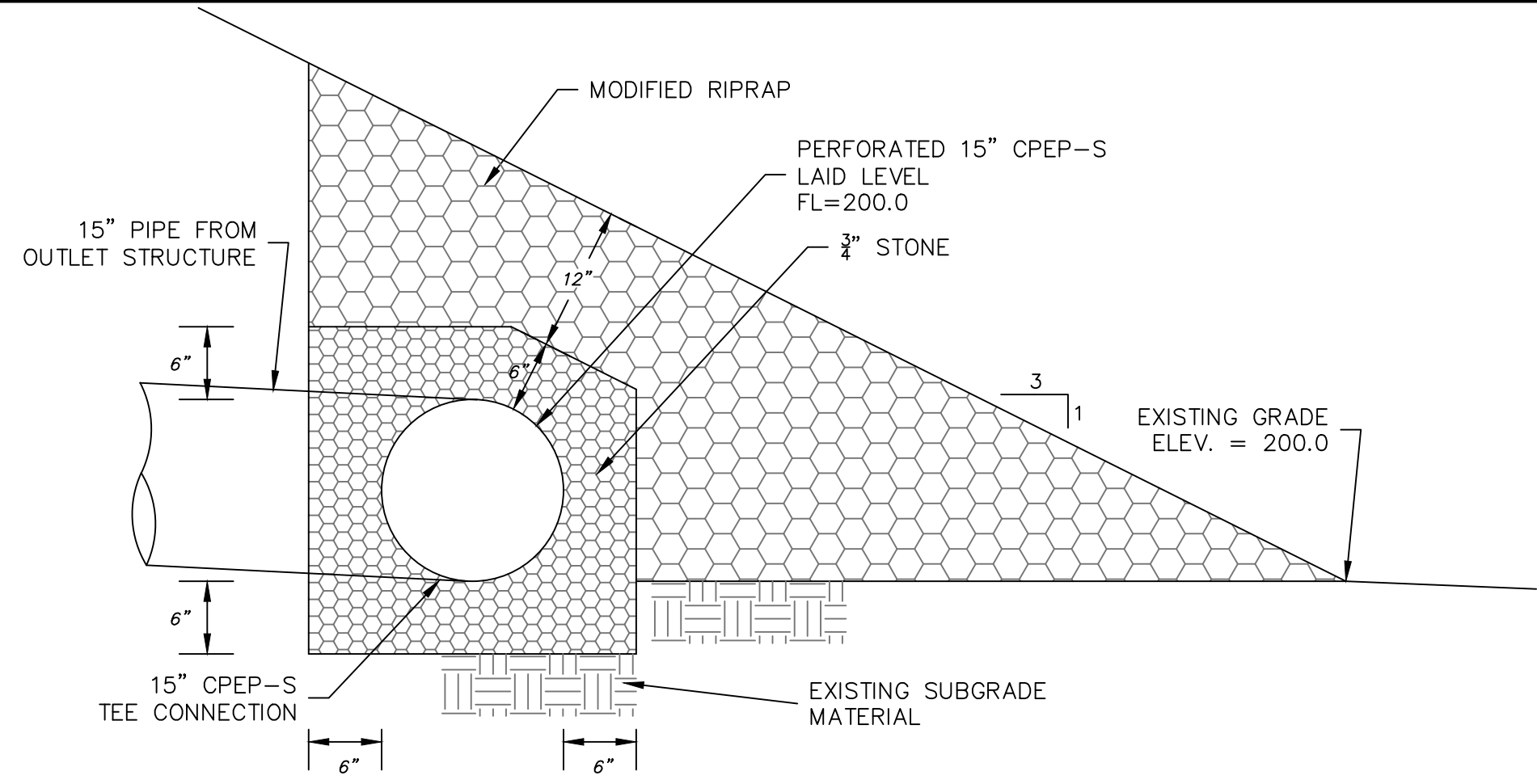
**Connecticut Green Bank
Maloney & Webster
(Cheshire Correctional)**
900 Highland Avenue
Cheshire, Connecticut

Site Plan

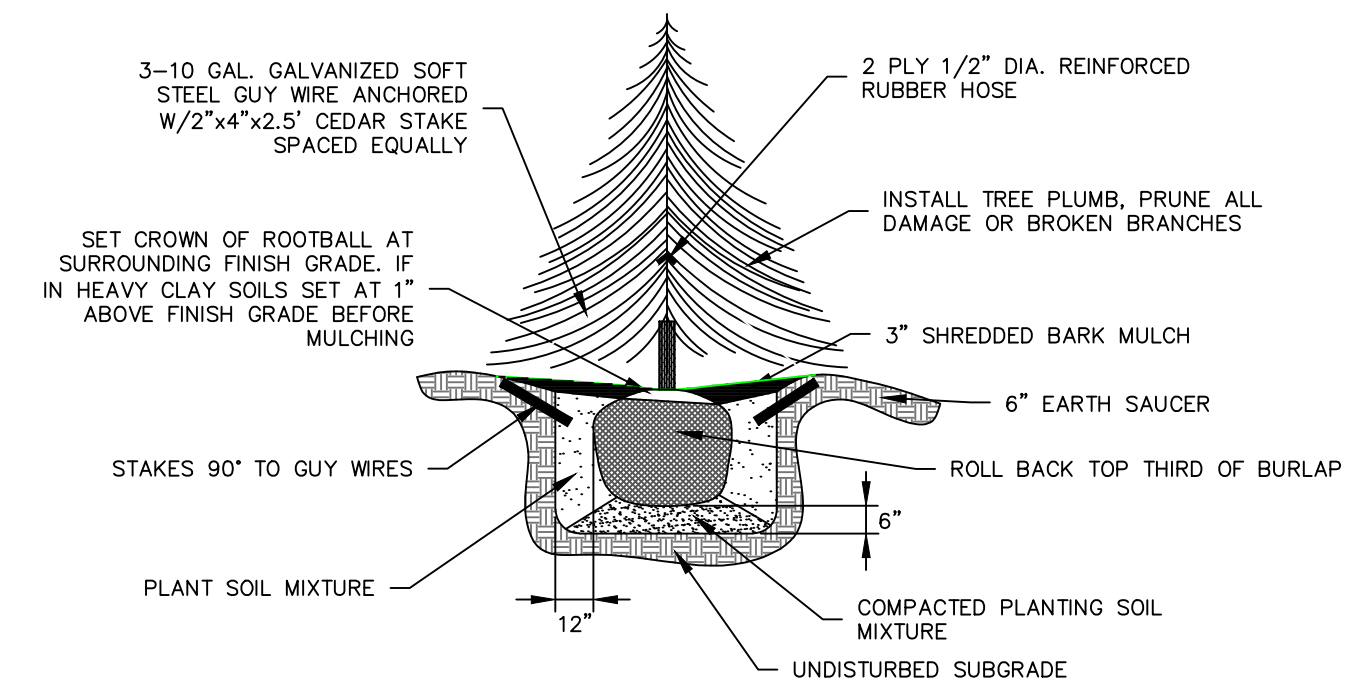
DATE	4-26-22
SCALE	1" = 40'
JOB NUMBER	2021-040
SHEET	C-103



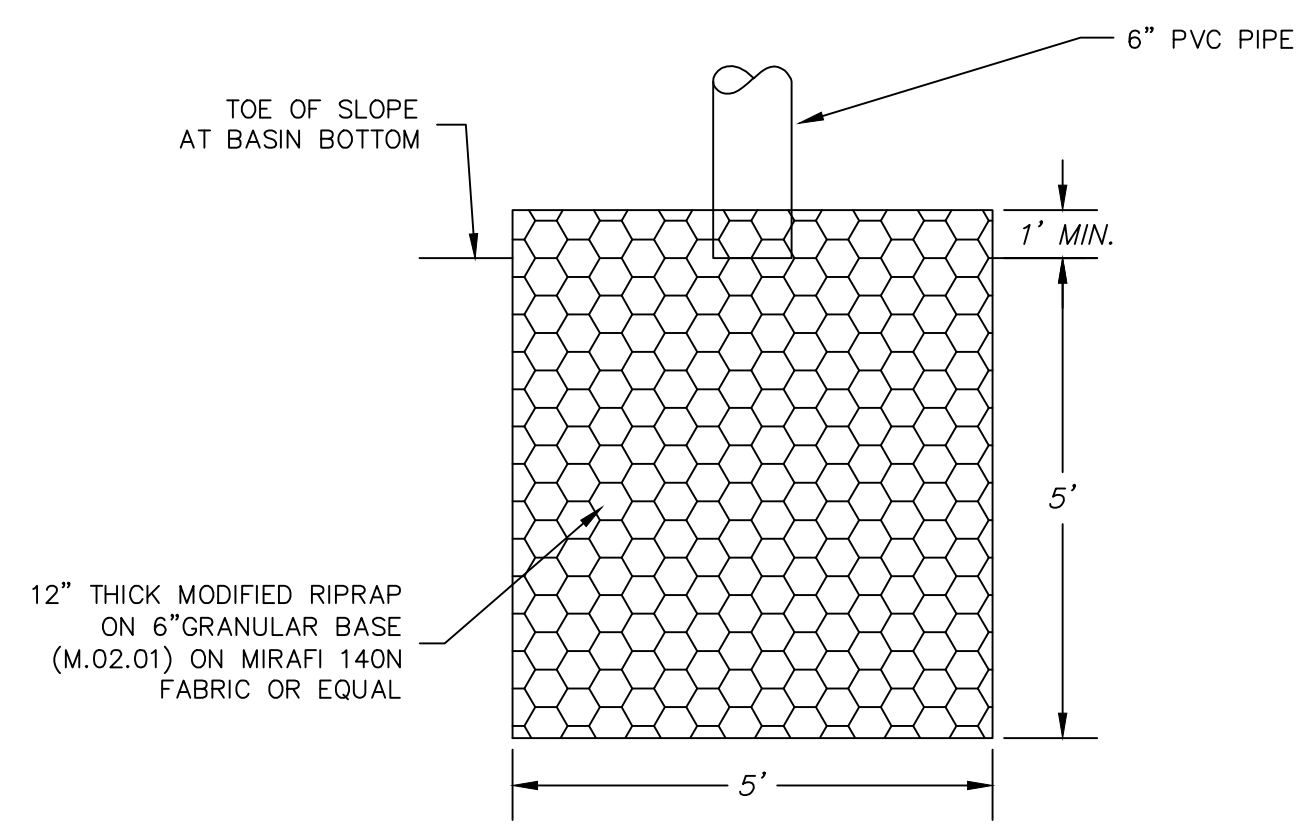
EARTHEN SPILLWAY
NOT TO SCALE



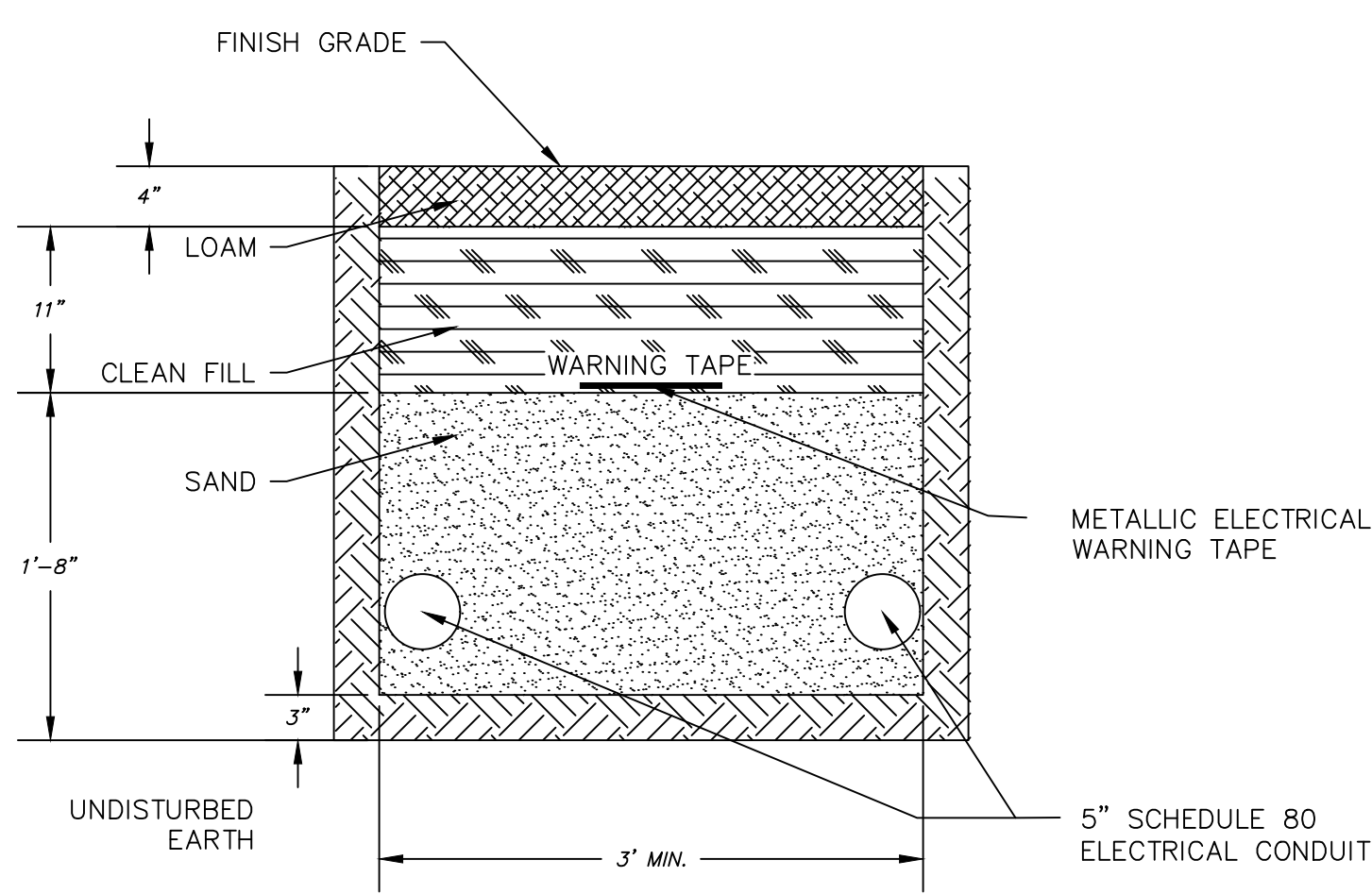
LEVEL SPREADER SECTION
NOT TO SCALE



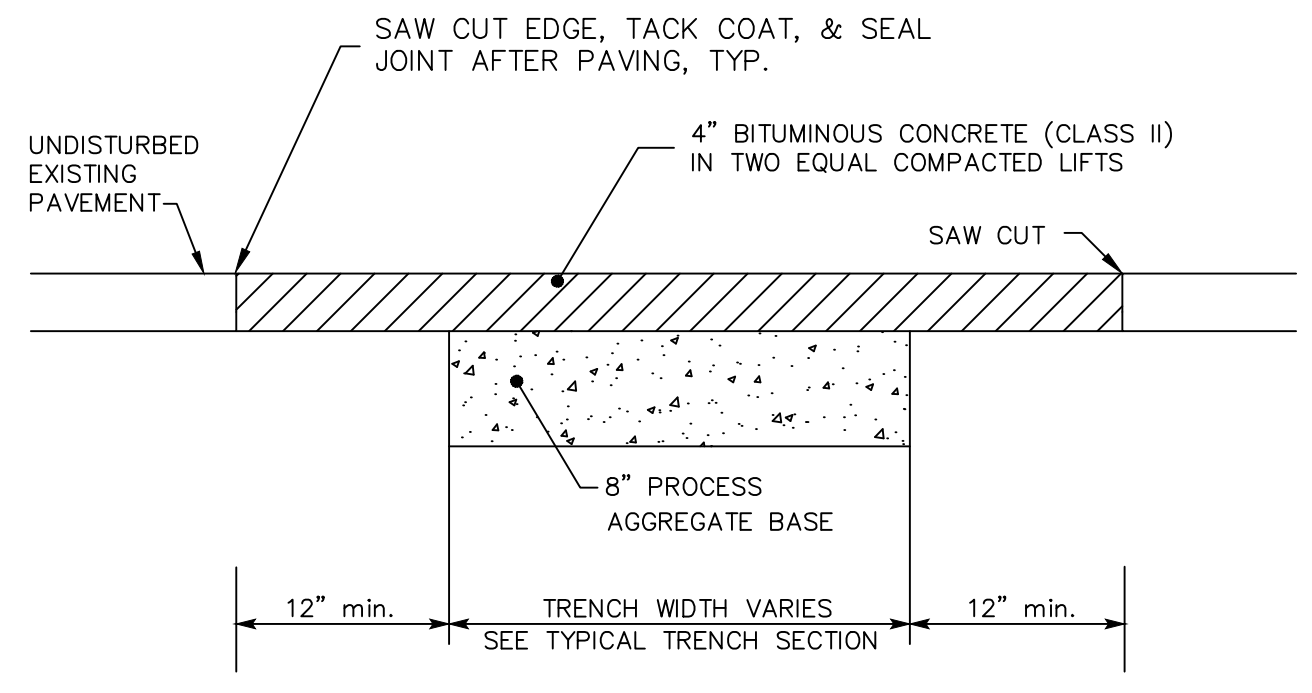
EVERGREEN TREE PLANTING
NOT TO SCALE



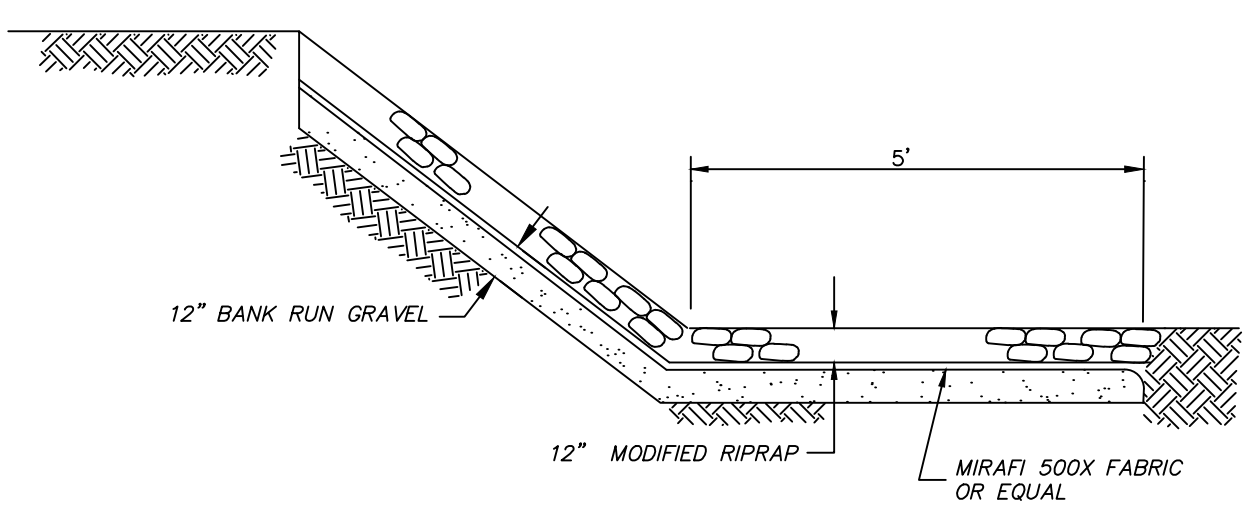
DISCHARGE TO BASIN
NOT TO SCALE



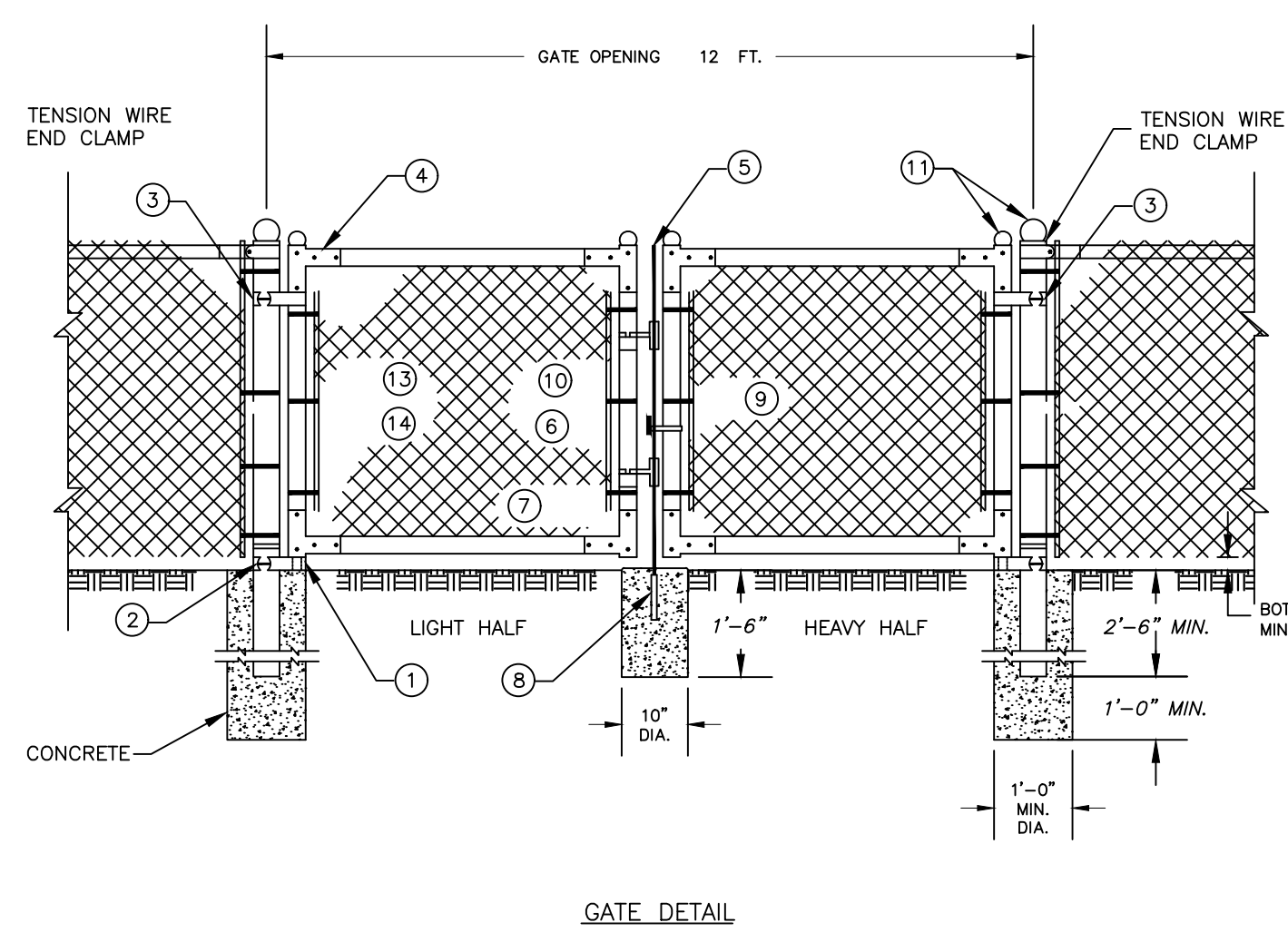
MEDIUM VOLTAGE CABLE TRENCH DETAIL (MV)
NOT TO SCALE



PERMANENT PAVEMENT PATCH
NOT TO SCALE



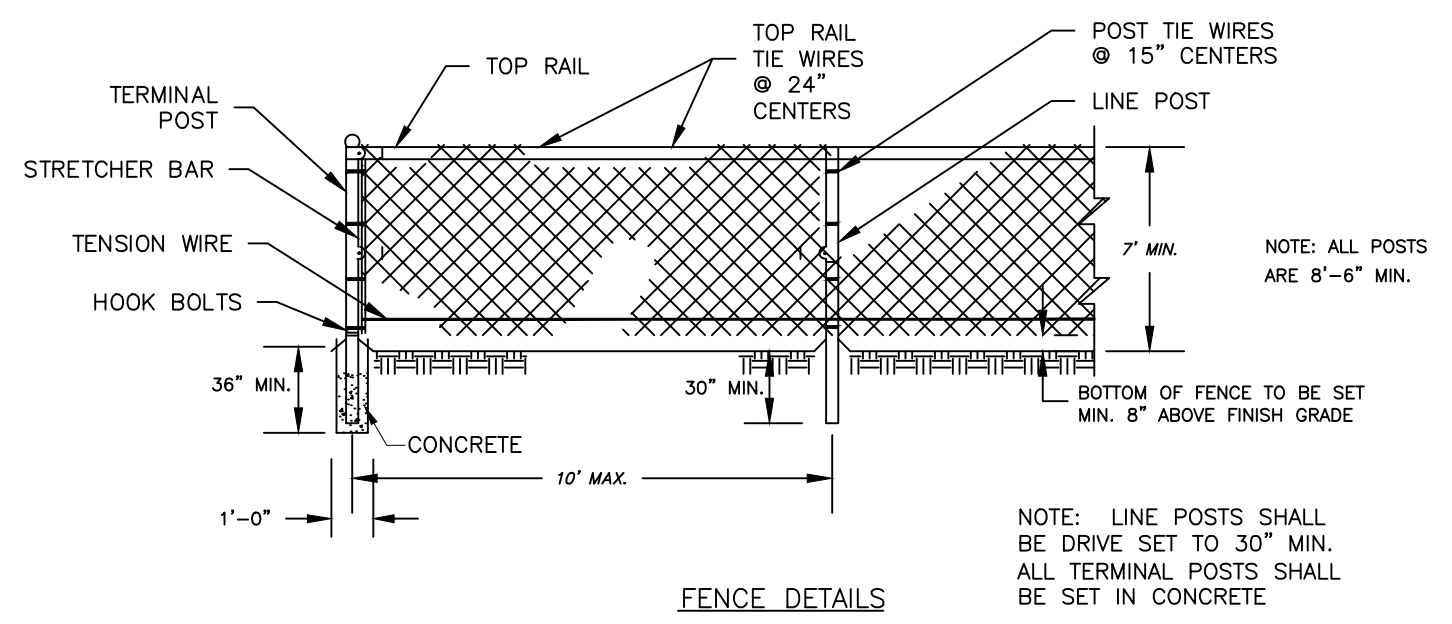
RIPRAP SLOPE PROTECTION AT SPILLWAY
NOT TO SCALE



LEGEND

PART NO.	DESCRIPTION	QUANTITY
1	STRAIGHT PLUG	2
2	BOTTOM HINGE	2
3	TOP HINGE	2
4	CORNER ELBOW	8
5	PLUNGER ROD	1
6	LATCH FORK	2
7	FORK CATCH	2
8	PLUNGER ROD CATCH	1
9	LOCK KEEPER GUIDE	1
10	LOCK KEEPER	1
11	ORNAMENTAL TOPS	6
12	TRUSS RODS	4
13	STRETCHER BAR	4
14	HOOK BOLTS	12

NOTE: THE FENCING SHALL BE #9 GAGE FENCE FABRIC, STANDARD 2-INCH CHAIN LINK DIAMOND MESH.



SHAPE, SIZE AND WEIGHT REQUIREMENTS FOR FENCE POSTS AND RAILS

ITEM	SHAPE	OUTSIDE DIMENSIONS INCHES	WEIGHT LBS./LIN. FT.
**	ROUND	2.375	3.65
TERMINAL POSTS	*ROUND	2.375	3.12
LINE POSTS	*ROUND	1.90	2.72
POSTS	*ROUND	1.90	2.28
TOP & BRACE RAILS	*ROUND	1.66	2.27
	*ROUND	1.66	1.84

GATE FRAME MEMBERS SIZE AND WEIGHT

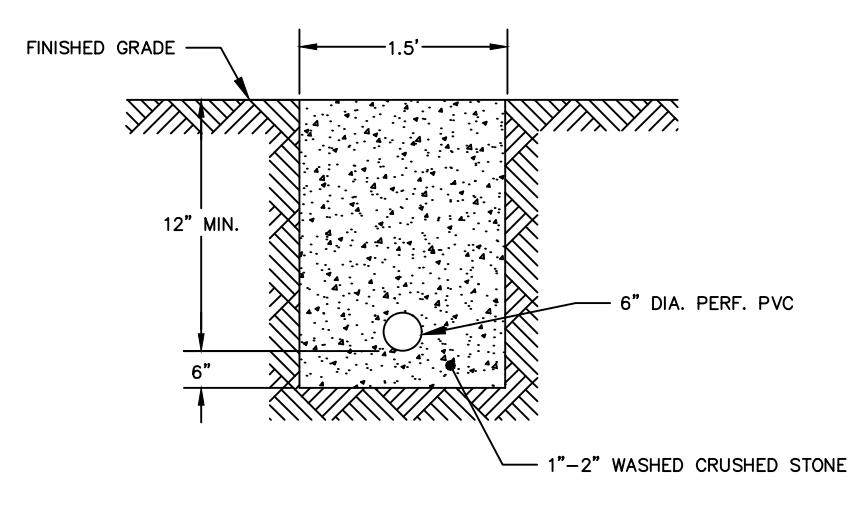
GATE FRAME	OUTSIDE DIMENSIONS INCHES	WEIGHT LBS./LIN. FT.
ROUND	1.66	2.27
*ROUND	1.66	1.84

GATE POST SIZE AND WEIGHT

GATE LEAF WIDTH OF 6 FT. OR LESS	OUTSIDE DIMENSIONS INCHES	WEIGHT LBS./LIN. FT.
ROUND	2.875	5.79
*ROUND	2.875	4.64

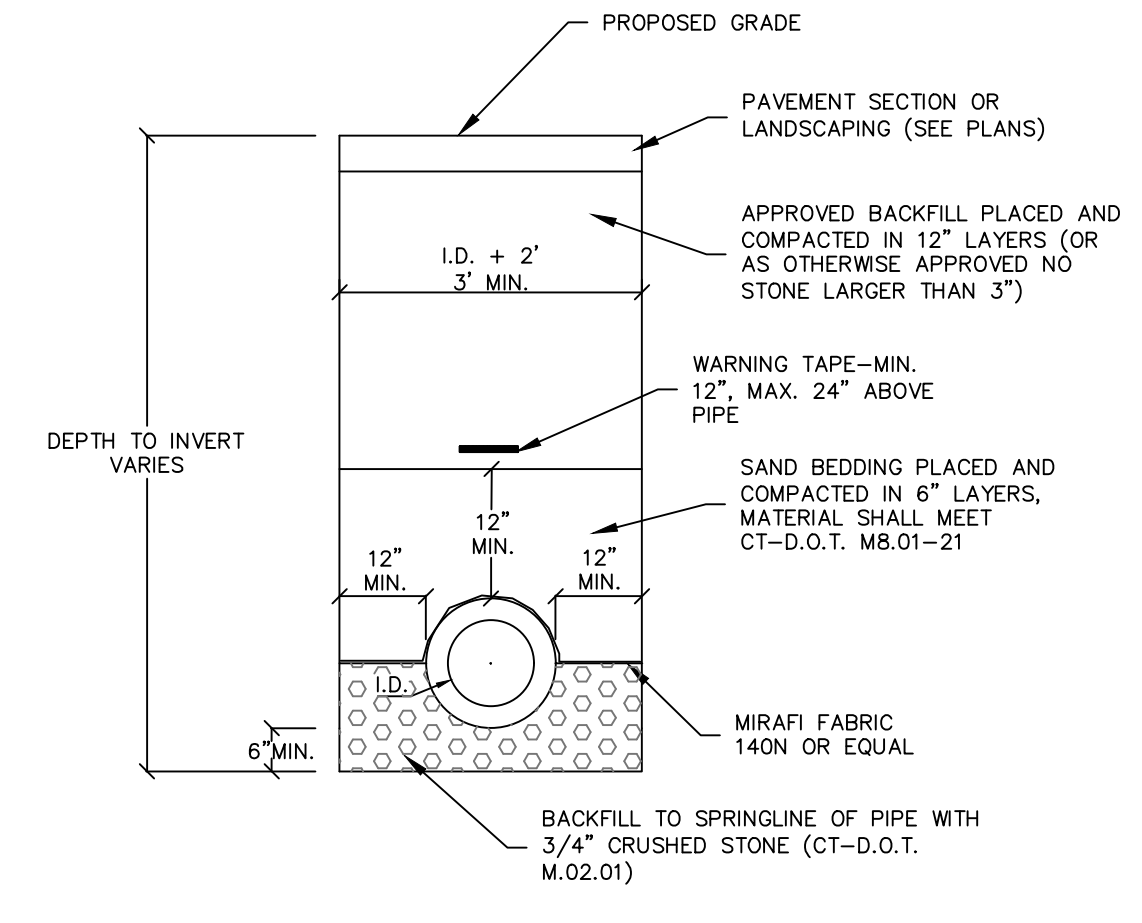
- CONSTRUCTION NOTES**
- MATERIALS AND WORKMANSHIP NOT SHOWN ON THIS DRAWING SHALL CONFORM TO THE MANUFACTURER'S SPECIFICATIONS.
 - ALL POSTS SHALL BE INSTALLED VERTICALLY. WHERE POSTS ARE INSTALLED ON AN INCLINED SURFACE, THE ANGLE OF THE POST SHALL BE ADJUSTED SO THAT THE POST WILL BE VERTICAL.
 - THE FENCING SHALL BE #9 GAGE FENCE FABRIC, STANDARD 2-INCH CHAIN LINK DIAMOND MESH.
 - SOUTH FACING FENCE SHALL BE PVC COATED, COLOR BLACK.

CHAIN LINK FENCE DETAIL
NOT TO SCALE



NOTE: UPSTREAM END OF PIPE TO BE SET AT 12\"/>

CURTAIN DRAIN
NOT TO SCALE



STANDARD STORM DRAIN DETAIL
NOT TO SCALE