



November 4, 2022

Melanie Bachman, Esq.
Executive Director & Staff Attorney
Connecticut Siting Council
10 Franklin Square
New Britain, CT 06051

**Re: Petition No. 1514
Connecticut Green Banke Solar Project
Maloney & Webster Correctional Institution
900 Highland Avenue, Cheshire, CT**

Dear Attorney Bachman,

As you are aware, on August 18, 2022 the Connecticut Siting Council ruled that the proposal for the construction, maintenance, and operation of a 1.95-megawatt AC solar photovoltaic electric generating facility located at the Maloney & Webster Correctional Institution at 900 Highland Avenue in Cheshire, Connecticut would not have a substantial adverse environmental effect and would not require Certificate of Environmental Compatibility. This ruling was based on petition materials, including Site Plans prepared by J.R. Russo & Associates, LLC dated April 26, 2022, that called for the use of the Trinasolar's Duomax Twin Bifacial Dual Glass 252 Layout Module (470 Watt). Subsequent to the ruling, based on supply chain issues and availability, a new module has been selected as a substitute for the Trinasolar module. The substitute module is the CSI Solar BiHiKu6 CS6W Module (535 Watt). The specifications for this module are attached. In addition, the TCLP testing results for this module are attached. As shown, the TCLP test results indicate that no compounds were detected over the applicable limits for toxicity.

Based on differences in physical size and output, the switch to the CSI module required minor changes to the solar array layout in order to provide the same 1.95-megawatt AC output. Revised Site Plans reflecting these minor changes are also attached. As shown, the change to the more efficient CSI panel actually results in a decrease in the overall footprint of the proposed array from 7.19 acres to 6.42 acres. Thus, if anything, the environmental impacts are reduced as a result of the module substitution.

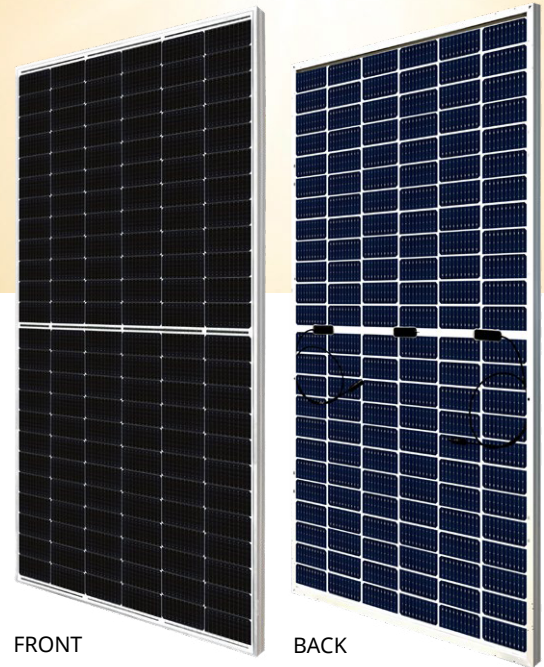
In accordance with condition 1 of the Siting Council Ruling, on behalf of the Connecticut Green Bank and CEFIA Holdings, LLC, I do hereby request approval of the module substitution as a minor modification. As stated above, the substitution results in a reduction of the area impacted by the solar development. If you have any questions or require further information, please feel free to contact me at (860) 623-0569 or tcoon@jrusso.com.

Sincerely,

Timothy A. Coon, P.E.
J.R. Russo & Associates, LLC

Enclosures

cc: Connecticut Green Bank
P.O. Box 938, East Windsor, CT 06088 www.jrusso.com CT 860.623.0569 MA 413.785.1158
SERVING CONNECTICUT & MASSACHUSETTS



BiHiKu6

520 W ~ 545 W

BIFACIAL MONO PERC

CS6W-520 | 525 | 530 | 535 | 540 | 545MB-AG

MORE POWER



Module power up to 545 W
Module efficiency up to 21.2 %



Up to 12.3 % lower LCOE
Up to 5.2 % lower system cost



Comprehensive LID / LeTID mitigation technology, up to 50% lower degradation



Compatible with mainstream trackers, cost effective product for utility power plant



Better shading tolerance

MORE RELIABLE



Minimizes micro-crack impacts



Heavy snow load up to 5400 Pa,
wind load up to 2400 Pa*



Enhanced Product Warranty on Materials and Workmanship*



Linear Power Performance Warranty*

1st year power degradation no more than 2%
Subsequent annual power degradation no more than 0.45%

*According to the applicable Canadian Solar Limited Warranty Statement.

MANAGEMENT SYSTEM CERTIFICATES*

ISO 9001:2015 / Quality management system
ISO 14001:2015 / Standards for environmental management system
ISO 45001: 2018 / International standards for occupational health & safety

PRODUCT CERTIFICATES*

IEC 61215 / IEC 61730 / CE / INMETRO / MCS / UKCA
CEC listed (US California)
UL 61730 / IEC 61701 / IEC 62716 / IEC 60068-2-68
Take-e-way



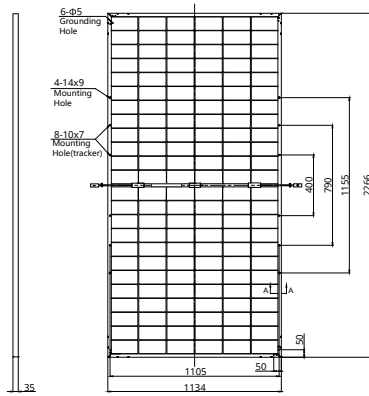
* The specific certificates applicable to different module types and markets will vary, and therefore not all of the certifications listed herein will simultaneously apply to the products you order or use. Please contact your local Canadian Solar sales representative to confirm the specific certificates available for your Product and applicable in the regions in which the products will be used.

CSI SOLAR (USA) CO., LTD. is committed to providing high quality solar photovoltaic modules, solar energy and battery storage solutions to customers. The company was recognized as the No. 1 module supplier for quality and performance/price ratio in the IHS Module Customer Insight Survey. Over the past 20 years, it has successfully delivered over 63 GW of premium-quality solar modules across the world.

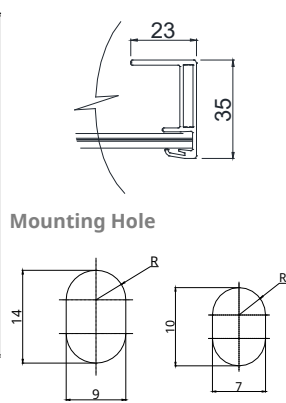
* For detailed information, please refer to Installation Manual.

ENGINEERING DRAWING (mm)

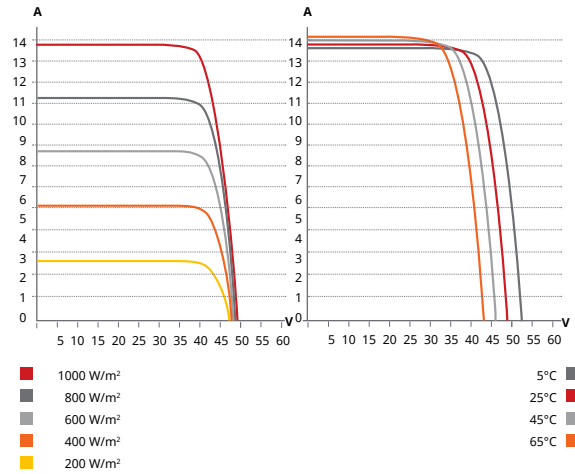
Rear View



Frame Cross Section A-A



CS6W-530MB-AG / I-V CURVES



ELECTRICAL DATA | STC*

	Nominal Max. Power (Pmax)	Opt. Operating Voltage (Vmp)	Opt. Operating Current (Imp)	Open Circuit Voltage (Voc)	Short Circuit Current (Isc)	Module Efficiency
CS6W-520MB-AG	520 W	40.5 V	12.84 A	48.4 V	13.70 A	20.2%
Bifacial Gain**	5%	546 W	40.5 V	13.48 A	48.4 V	21.2%
	10%	572 W	40.5 V	14.12 A	48.4 V	22.3%
	20%	624 W	40.5 V	15.41 A	48.4 V	24.3%
CS6W-525MB-AG	525 W	40.7 V	12.90 A	48.6 V	13.75 A	20.4%
Bifacial Gain**	5%	551 W	40.7 V	13.55 A	48.6 V	21.4%
	10%	578 W	40.7 V	14.21 A	48.6 V	22.5%
	20%	630 W	40.7 V	15.48 A	48.6 V	24.5%
CS6W-530MB-AG	530 W	40.9 V	12.96 A	48.8 V	13.80 A	20.6%
Bifacial Gain**	5%	557 W	40.9 V	13.62 A	48.8 V	21.7%
	10%	583 W	40.9 V	14.26 A	48.8 V	22.7%
	20%	636 W	40.9 V	15.55 A	48.8 V	24.8%
CS6W-535MB-AG	535 W	41.1 V	13.02 A	49.0 V	13.85 A	20.8%
Bifacial Gain**	5%	562 W	41.1 V	13.68 A	49.0 V	21.9%
	10%	589 W	41.1 V	14.34 A	49.0 V	22.9%
	20%	642 W	41.1 V	15.62 A	49.0 V	25.0%
CS6W-540MB-AG	540 W	41.3 V	13.08 A	49.2 V	13.90 A	21.0%
Bifacial Gain**	5%	567 W	41.3 V	13.73 A	49.2 V	22.1%
	10%	594 W	41.3 V	14.39 A	49.2 V	23.1%
	20%	648 W	41.3 V	15.70 A	49.2 V	25.2%
CS6W-545MB-AG	545 W	41.5 V	13.14 A	49.4 V	13.95 A	21.2%
Bifacial Gain**	5%	572 W	41.5 V	13.80 A	49.4 V	22.3%
	10%	600 W	41.5 V	14.46 A	49.4 V	23.3%
	20%	654 W	41.5 V	15.77 A	49.4 V	25.5%

* Under Standard Test Conditions (STC) of irradiance of 1000 W/m², spectrum AM 1.5 and cell temperature of 25°C.

** Bifacial Gain: The additional gain from the back side compared to the power of the front side at the standard test condition. It depends on mounting (structure, height, tilt angle etc.) and albedo of the ground.

ELECTRICAL DATA

Operating Temperature	-40°C ~ +85°C
Max. System Voltage	1500 V (IEC/UL) or 1000 V (IEC/UL)
Module Fire Performance	TYPE 29 (UL 61730) or CLASS C (IEC61730)
Max. Series Fuse Rating	30 A
Application Classification	Class A
Power Tolerance	0 ~ + 10 W
Power Bifaciality*	70 %

* Power Bifaciality = $\frac{P_{max_{rear}}}{P_{max_{front}}}$ both $P_{max_{rear}}$ and $P_{max_{front}}$ are tested under STC, Bifaciality Tolerance: ± 5 %

* The specifications and key features contained in this datasheet may deviate slightly from our actual products due to the on-going innovation and product enhancement. CSI Solar Co., Ltd. reserves the right to make necessary adjustment to the information described herein at any time without further notice.

Please be kindly advised that PV modules should be handled and installed by qualified people who have professional skills and please carefully read the safety and installation instructions before using our PV modules.

ELECTRICAL DATA | NMOT*

	Nominal Max. Power (Pmax)	Opt. Operating Voltage (Vmp)	Opt. Operating Current (Imp)	Open Circuit Voltage (Voc)	Short Circuit Current (Isc)
CS6W-520MB-AG	390 W	38.0 V	10.27 A	45.7 V	11.05 A
CS6W-525MB-AG	394 W	38.2 V	10.32 A	45.9 V	11.09 A
CS6W-530MB-AG	397 W	38.3 V	10.38 A	46.1 V	11.13 A
CS6W-535MB-AG	401 W	38.5 V	10.42 A	46.3 V	11.17 A
CS6W-540MB-AG	405 W	38.7 V	10.47 A	46.5 V	11.21 A
CS6W-545MB-AG	409 W	38.9 V	10.52 A	46.7 V	11.25 A

* Under Nominal Module Operating Temperature (NMOT), irradiance of 800 W/m² spectrum AM 1.5, ambient temperature 20°C, wind speed 1 m/s.

MECHANICAL DATA

Specification	Data
Cell Type	Mono-crystalline
Cell Arrangement	144 [2 x (12 x 6)]
Dimensions	2266 x 1134 x 35 mm (89.2 x 44.6 x 1.38 in)
Weight	32.2 kg (71.0 lbs)
Front Glass	2.0 mm heat strengthened glass with anti-reflective coating
Back Glass	2.0 mm heat strengthened glass
Frame	Anodized aluminium alloy
J-Box	IP68, 3 bypass diodes
Cable	4.0 mm ² (IEC), 12 AWG (UL)
Cable Length (Including Connector)	410 mm (16.1 in) (+) / 290 mm (11.4 in) (-) (supply additional jumper cable: 2 lines / Pallet) or customized length*

Connector	T4 or MC4 series
Per Pallet	30 pieces
Per Container (40' HQ)	600 pieces or 540 pieces (only for US)

* For detailed information, please contact your local Canadian Solar sales and technical representatives.

TEMPERATURE CHARACTERISTICS

Specification	Data
Temperature Coefficient (Pmax)	-0.34 % / °C
Temperature Coefficient (Voc)	-0.26 % / °C
Temperature Coefficient (Isc)	0.05 % / °C
Nominal Module Operating Temperature	41 ± 3°C

PARTNER SECTION




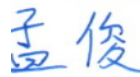
Test Report

REPORT No.: SHE20-15388/1 DATE RECEIVED: 2020/12/30
 ATTENTION: - ANALYSIS DATE : 2020/12/30~2021/01/25
 CUSTOMER: CSI Solar Co.,Ltd DATE REPORTED: 2021/01/27
 199 Lushan Road,Suzhou New District Jiangsu,China SAMPLE (S): Solid waste (1)
 REFERENCE: -

REMARKS

- 1.The results apply to the sample(s) as received
- 2.The report is translated from SHE20-15388.

Edited by: 
 Min ZHOU

Reviewed by: 
 Jun MENG

Approved by: 
 Liqiong TANG



Unless otherwise agreed in writing, this document is issued by the Company subject to its General Conditions of Service printed overleaf, available on request or accessible at <http://www.sgs.com/en/Terms-and-Conditions.aspx> and, for electronic format documents, subject to Terms and Conditions for Electronic Documents at <http://www.sgs.com/en/Terms-and-Conditions/Terms-e-Document.aspx>. Attention is drawn to the limitation of liability, indemnification and jurisdiction issues defined therein. Any holder of this document is advised that information contained hereon reflects the Company's findings at the time of its intervention only and within the limits of Client's instructions, if any. The Company's sole responsibility is to its Client and this document does not exonerate parties to a transaction from exercising all their rights and obligations under the transaction documents. This document cannot be reproduced except in full, without prior written approval of the Company. Any unauthorized alteration, forgery or falsification of the content or appearance of this document is unlawful and offenders may be prosecuted to the fullest extent of the law. Unless otherwise stated the results shown in this test report refer only to the sample(s) tested and such sample(s) are retained for 30 days only.

Attention: To check the authenticity of testing /inspection report & certificate, please contact us at telephone: (86-755) 8307 1443, or email: CN.Deccheck@sgs.com
 3rd Building, No.889 Yishan Road, Xuhui District, Shanghai, China 200233 t (86-21) 61072828 f (86-21) 61152164 www.sgs.com.cn
 中国·上海·徐汇区宜山路889号3号楼 邮编: 200233 t (86-21) 61072828 f (86-21) 61152164 e sgs.china@sgs.com

Statement

1. The test report is invalid without the official seal of the laboratory.
2. This test report cannot be reproduced in any way, except in full content, without prior approval in writing by the laboratory.
3. The test report is invalid without the signature of the compiler, the checker and the approver
4. The test report is invalid if altered.
5. The test report has been drafted in Chinese and translated into English (if applicable) for convenience only. In the event of discrepancy, the Chinese version shall prevail.
6. Should you have any queries or objection to the test report, please contact us within 10 days after receiving the report.

Legend

NA The sample was not analysed for this analyte

↑ Detection limit raised

↓ Detection limit lowered

ND Not Detected



INORGANIC & ORGANIC ANALYSIS

Report No.: SHE20-15388/1

Customer Reference: -

Lab ID	SHE20-15388.001
Customer ID	PV Module CS6W-MB-AG
Model No.	1200999990042
Order No.	CP20-068432GZ
Date Received	2020/12/30

TCLP ITEM	METHOD	MDL	UNIT	Limit	Solid waste
Arsenic (As)	USEPA 200.8-1994	0.050	mg/L	≤5	<0.050
Barium (Ba)	USEPA 200.8-1994	0.010	mg/L	≤100	0.058
Cadmium (Cd)	USEPA 200.8-1994	0.001	mg/L	≤1	<0.001
Chromium (Cr)	USEPA 200.8-1994	0.010	mg/L	≤5	<0.010
Lead (Pb)	USEPA 200.8-1994	0.010	mg/L	≤5	3.34
Selenium (Se)	USEPA 200.8-1994	0.050	mg/L	≤1	<0.050
Silver (Ag)	USEPA 200.8-1994	0.010	mg/L	≤5	<0.010
Mercury (Hg)	USEPA 7473-2007	0.005	mg/L	≤0.2	<0.005
2,4-D	USEPA 8151A-1996	0.0005	mg/L	≤10	<0.0005
2,4,5-TP (Silvex, Fenopop)	USEPA 8151A-1996	0.0005	mg/L	≤1	<0.0005
Benzene	USEPA 8260D-2018	0.0005	mg/L	≤0.5	<0.0005
Carbon tetrachloride	USEPA 8260D-2018	0.0005	mg/L	≤0.5	<0.0005
Chlorobenzene	USEPA 8260D-2018	0.0005	mg/L	≤100	<0.0005
Chloroform	USEPA 8260D-2018	0.0005	mg/L	≤6	<0.0005
1,4-Dichlorobenzene	USEPA 8260D-2018	0.0005	mg/L	≤7.5	<0.0005
1,2-Dichloroethane	USEPA 8260D-2018	0.0005	mg/L	≤0.5	<0.0005
1,1-Dichloroethene	USEPA 8260D-2018	0.0005	mg/L	≤0.7	<0.0005
2-butanone(MEK)	USEPA 8260D-2018	0.020	mg/L	≤200	<0.020
Tetrachloroethene	USEPA 8260D-2018	0.0005	mg/L	≤0.7	<0.0005
Trichloroethene	USEPA 8260D-2018	0.0005	mg/L	≤0.5	<0.0005
Vinyl chloride	USEPA 8260D-2018	0.0005	mg/L	≤0.2	<0.0005
2,4-Dinitrotoluene	USEPA 8270E-2018	0.0005	mg/L	≤0.13	<0.0005
Hexachlorobenzene	USEPA 8270E-2018	0.0005	mg/L	≤0.13	<0.0005
Hexachlorobutadiene	USEPA 8270E-2018	0.0005	mg/L	≤0.5	<0.0005



INORGANIC & ORGANIC ANALYSIS

Report No.: SHE20-15388/1

Customer Reference: -

Lab ID	SHE20-15388.001
Customer ID	PV Module CS6W-MB-AG
Model No.	1200999990042
Order No.	CP20-068432GZ
Date Received	2020/12/30

TCLP ITEM	METHOD	MDL	UNIT	Limit	Solid waste
Hexachloroethane	USEPA 8270E-2018	0.0005	mg/L	≤3	<0.0005
Nitrobenzene	USEPA 8270E-2018	0.0005	mg/L	≤2	<0.0005
Pentachlorophenol	USEPA 8270E-2018	0.0025	mg/L	≤100	<0.0025
Pyridine	USEPA 8270E-2018	0.002	mg/L	≤5.0	<0.002
2,4,5-Trichlorophenol	USEPA 8270E-2018	0.0005	mg/L	≤400	<0.0005
2,4,6-Trichlorophenol	USEPA 8270E-2018	0.0005	mg/L	≤2	<0.0005
Methylphenol	USEPA 8270E-2018	0.001	mg/L	≤200	<0.001
2-Methylphenol	USEPA 8270E-2018	0.0005	mg/L	≤200	<0.0005
3&4-Methylphenol	USEPA 8270E-2018	0.0005	mg/L	≤200	<0.0005
Endrin	USEPA 8270E-2018	0.0005	mg/L	≤0.02	<0.0005
γ-BHC	USEPA 8270E-2018	0.0005	mg/L	≤0.4	<0.0005
Toxaphene	USEPA 8270E-2018	0.050	mg/L	≤0.5	<0.050
Methoxychlor	USEPA 8270E-2018	0.0005	mg/L	≤10	<0.0005
Heptachlor	USEPA 8270E-2018	0.0005	mg/L	≤0.008	<0.0005
Chlordane(Total)	USEPA 8270E-2018	0.001	mg/L	≤0.03	<0.001

Remark:

- 1.Preparative method:USEPA1311-1992(Toxicity Characteristic Leaching Procedure)
- 2.The Limits comes from CFR(code of federal regulations) title 40 part 261.24.



Method List

USEPA 200.8-1994 Metals ICP-MS
USEPA 7473-2007 Metals-Hg
USEPA 8151A-1996 Acid Herbicides in Water by GC-MS
USEPA 8260D-2018 VOCs
USEPA 8270E-2018 SVOCs

Equipment Information

Method:USEPA 200.8-1994

Equipment Name	Model	Equipment Number	Serial Number
ICP-MS	Agilent 7900	CHEM-998	JP16311502

Method:USEPA 7473-2007

Equipment Name	Model	Equipment Number	Serial Number
Hg analyzer	Milestone DMA-80	CHEM-958	16041979

Method:USEPA 8151A-1996

Equipment Name	Model	Equipment Number	Serial Number
GC-MS	Agilent 7890A/5975C	CHEM-ENV085	CN12371032/US12362A17

Method:USEPA 8260D-2018

Equipment Name	Model	Equipment Number	Serial Number
PT-GC-MS	Atomx&Agilent7890B/5977B	CHEM-1035	US17062008/CN17103162/US1711M006

Method:USEPA 8270E-2018

Equipment Name	Model	Equipment Number	Serial Number
GC-MS	Agilent 7890B/5977A	CHEM-1118	CN18053182/US1805M023

Method:USEPA 8270E-2018

Equipment Name	Model	Equipment Number	Serial Number
GC-MS	Agilent 7890B/5977A	CHEM-1118	CN18053182/US1805M023



Unless otherwise agreed in writing, this document is issued by the Company subject to its General Conditions of Service printed overleaf, available on request or accessible at <http://www.sgs.com/en/Terms-and-Conditions.aspx> and, for electronic format documents, subject to Terms and Conditions for Electronic Documents at <http://www.sgs.com/en/Terms-and-Conditions/Terms-e-Document.aspx>. Attention is drawn to the limitation of liability, indemnification and jurisdiction issues defined therein. Any holder of this document is advised that information contained hereon reflects the Company's findings at the time of its intervention only and within the limits of Client's instructions, if any. The Company's sole responsibility is to its Client and this document does not exonerate parties to a transaction from exercising all their rights and obligations under the transaction documents. This document cannot be reproduced except in full, without prior written approval of the Company. Any unauthorized alteration, forgery or falsification of the content or appearance of this document is unlawful and offenders may be prosecuted to the fullest extent of the law. Unless otherwise stated the results shown in this test report refer only to the sample(s) tested and such sample(s) are retained for 30 days only.

Attention: To check the authenticity of testing /inspection report & certificate, please contact us at telephone: (86-755) 8307 1443, or email: CN.Deccheck@sgs.com
 3rd Building, No.889 Yishan Road, Xuhui District, Shanghai, China 200233 t (86-21) 61072828 f (86-21) 61152164 www.sgs.com.cn
 中国·上海·徐汇区宜山路889号3号楼 邮编: 200233 t (86-21) 61072828 f (86-21) 61152164 e sgs.china@sgs.com

APPENDIX 1

Report No.:SHE20-15388/1

Customer Reference: -



Unless otherwise agreed in writing, this document is issued by the Company subject to its General Conditions of Service printed overleaf, available on request or accessible at <http://www.sgs.com/en/Terms-and-Conditions.aspx> and, for electronic format documents, subject to Terms and Conditions for Electronic Documents at <http://www.sgs.com/en/Terms-and-Conditions/Terms-e-Document.aspx>. Attention is drawn to the limitation of liability, indemnification and jurisdiction issues defined therein. Any holder of this document is advised that information contained hereon reflects the Company's findings at the time of its intervention only and within the limits of Client's instructions, if any. The Company's sole responsibility is to its Client and this document does not exonerate parties to a transaction from exercising all their rights and obligations under the transaction documents. This document cannot be reproduced except in full, without prior written approval of the Company. Any unauthorized alteration, forgery or falsification of the content or appearance of this document is unlawful and offenders may be prosecuted to the fullest extent of the law. Unless otherwise stated the results shown in this test report refer only to the sample(s) tested and such sample(s) are retained for 30 days only.

Attention: To check the authenticity of testing /inspection report & certificate, please contact us at telephone: (86-755) 8307 1443, or email: CN.Deccheck@sgs.com

3rd Building, No.889 Yishan Road, Xuhui District, Shanghai, China 200233 t (86-21) 61072828 f (86-21) 61152164 www.sgs.com.cn
 中国·上海·徐汇区宜山路889号3号楼 邮编: 200233 t (86-21) 61072828 f (86-21) 61152164 e sgs.china@sgs.com

APPENDIX 2

Report No.:SHE20-15388/1

Customer Reference: -



End of report

Page 7 of 7



Unless otherwise agreed in writing, this document is issued by the Company subject to its General Conditions of Service printed overleaf, available on request or accessible at <http://www.sgs.com/en/Terms-and-Conditions.aspx> and, for electronic format documents, subject to Terms and Conditions for Electronic Documents at <http://www.sgs.com/en/Terms-and-Conditions/Terms-e-Documents.aspx>. Attention is drawn to the limitation of liability, indemnification and jurisdiction issues defined therein. Any holder of this document is advised that information contained hereon reflects the Company's findings at the time of its intervention only and within the limits of Client's instructions, if any. The Company's sole responsibility is to its Client and this document does not exonerate parties to a transaction from exercising all their rights and obligations under the transaction documents. This document cannot be reproduced except in full, without prior written approval of the Company. Any unauthorized alteration, forgery or falsification of the content or appearance of this document is unlawful and offenders may be prosecuted to the fullest extent of the law. Unless otherwise stated the results shown in this test report refer only to the sample(s) tested and such sample(s) are retained for 30 days only.

Attention: To check the authenticity of testing /inspection report & certificate, please contact us at telephone: (86-755) 8307 1443, or email: CN.Deccheck@sgs.com

SGS-CTI (China) Technical Services (Shanghai) Co., Ltd.
Testing Center-Environmental Technology

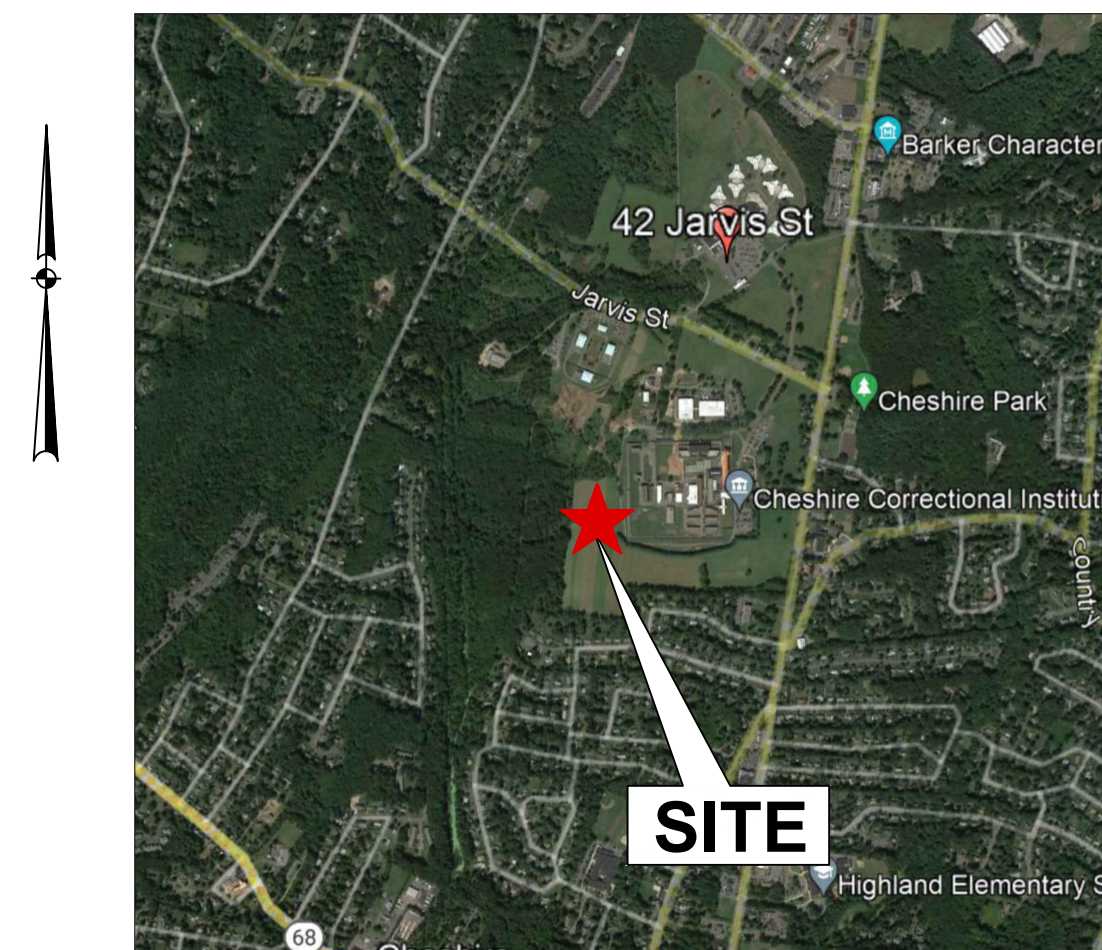
3rd Building, No.889 Yishan Road, Xuhui District, Shanghai, China 200233
中国·上海·徐汇区宜山路889号3号楼 邮编: 200233

t (86-21) 61072828 f (86-21) 61152164
t (86-21) 61072828 f (86-21) 61152164

www.sgs.com
sgs.china@sgs.com

CT Green Bank Department of Corrections Solar

Maloney & Webster Correctional Institution
900 Highland Avenue
Cheshire, Connecticut



VICINITY MAP
1"=2,000'

LATITUDE: 41.521150°
LONGITUDE: -72.904658°

Applicant

CT Green Bank
75 Charter Oak Ave., Suite 1-103
Hartford, CT 06106

Owner

Connecticut State Reformatory
900 Highland Avenue
Cheshire, CT 06410

Prepared By

SUNPOWER®

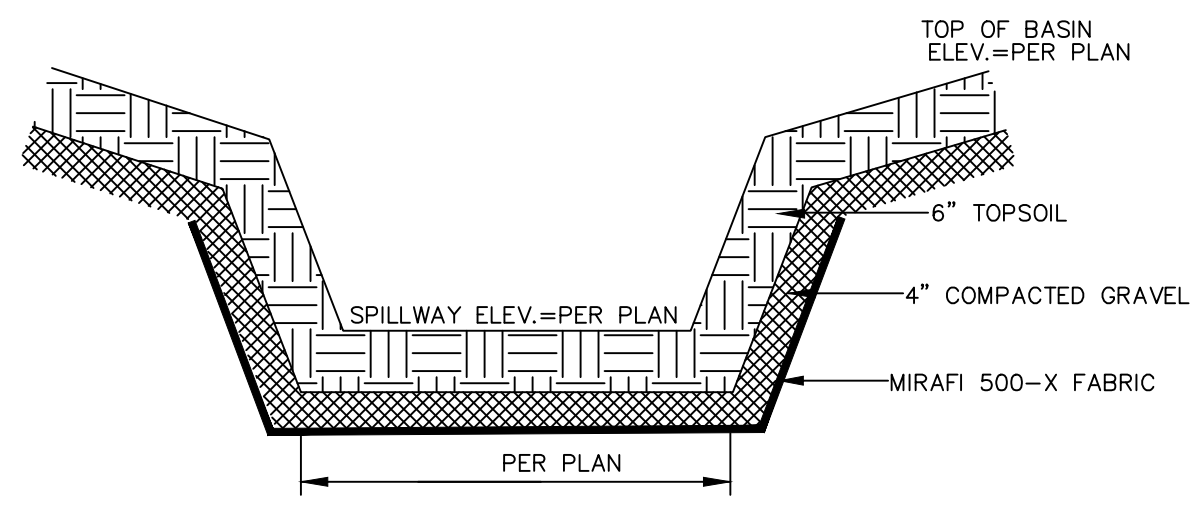
1414 HARBOUR WAY SOUTH
RICHMOND, CA 94804 USA
(510) 540-0550



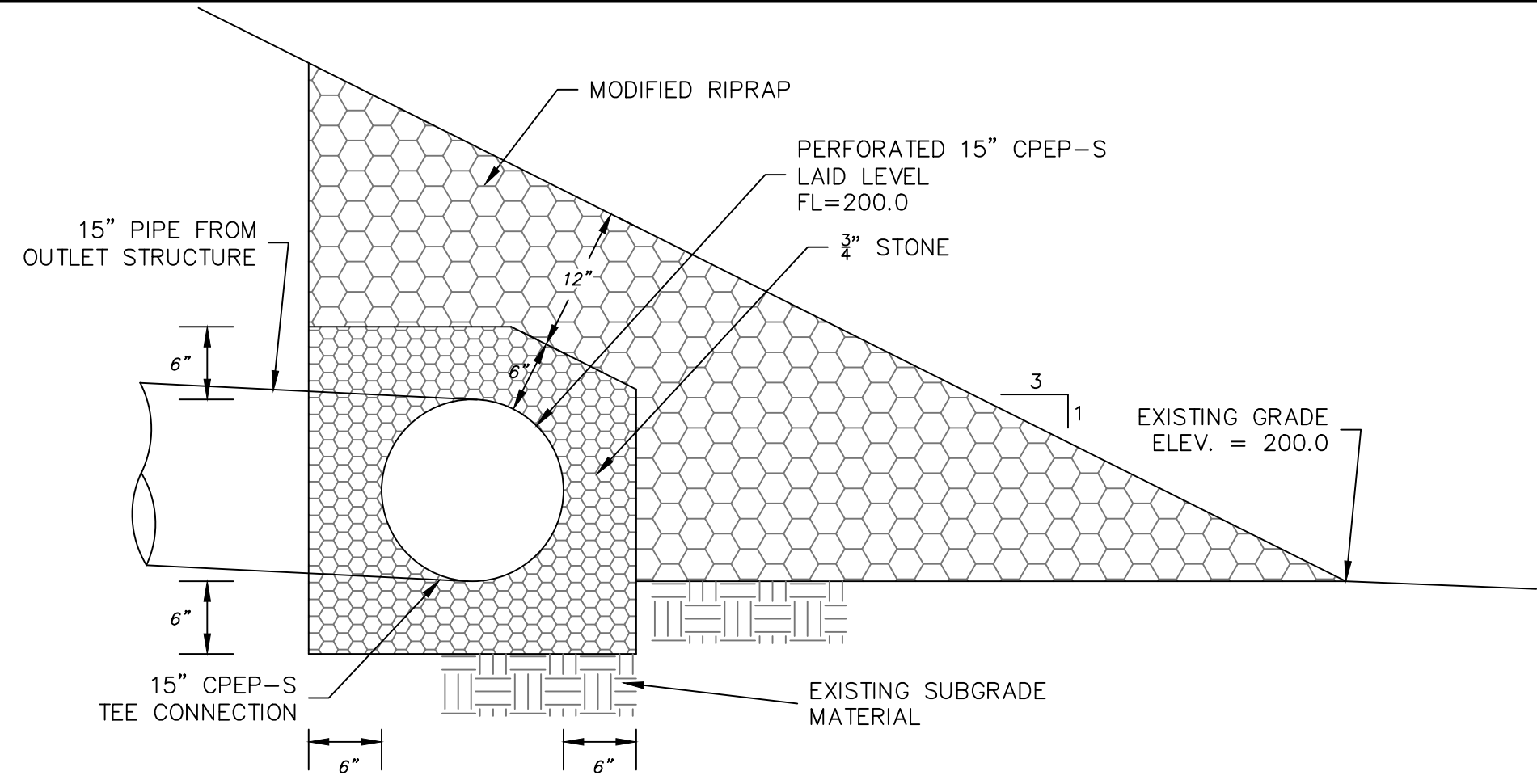
PERMIT PLANS

DRAWING INDEX

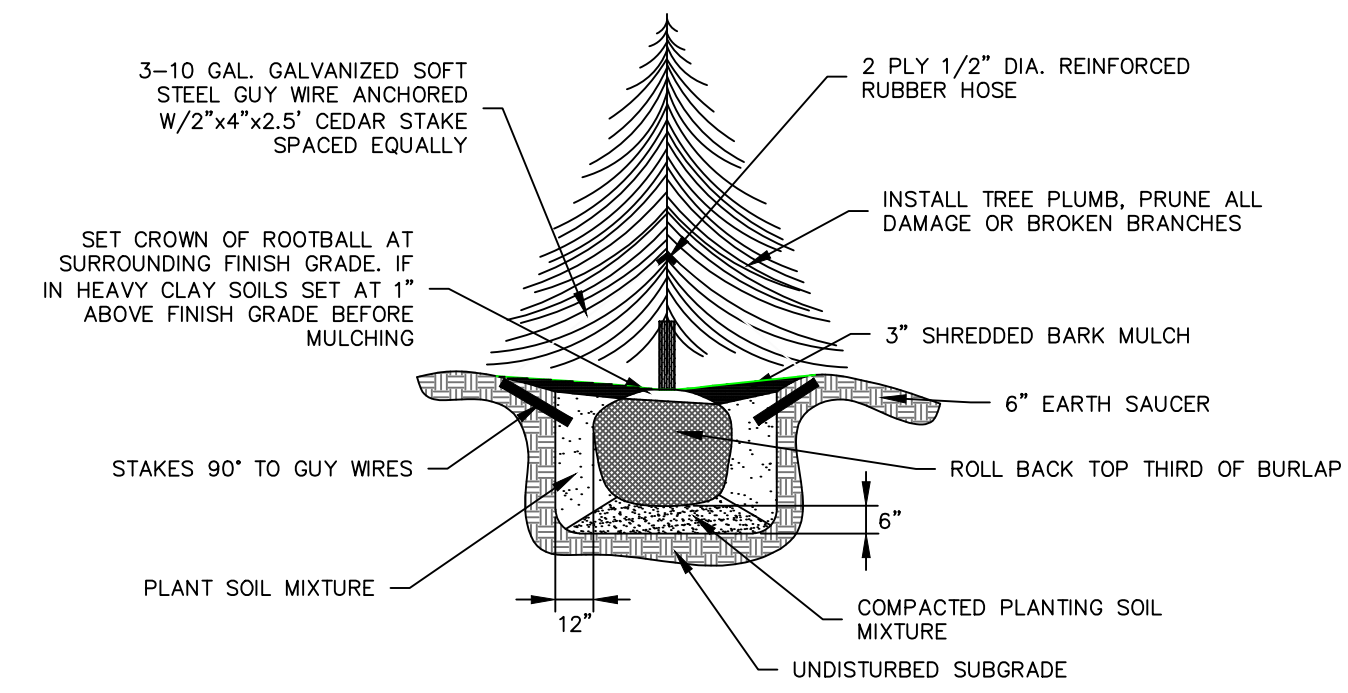
SHEET TITLE	SHEET NO.	LATEST REVISION
CIVIL		
COVER SHEET	C-000	10-11-22
OVERALL SITE PLAN	C-100	10-11-22
SITE PLAN (40-SCALE)	C-101	10-11-22
SITE PLAN (40-SCALE)	C-102	10-11-22
SITE PLAN (40-SCALE)	C-103	10-11-22
SITE PLAN (40-SCALE)	C-104	10-11-22
EROSION & SEDIMENT CONTROL NOTES	C-201	4-26-22
DETAILS	C-202	4-26-22



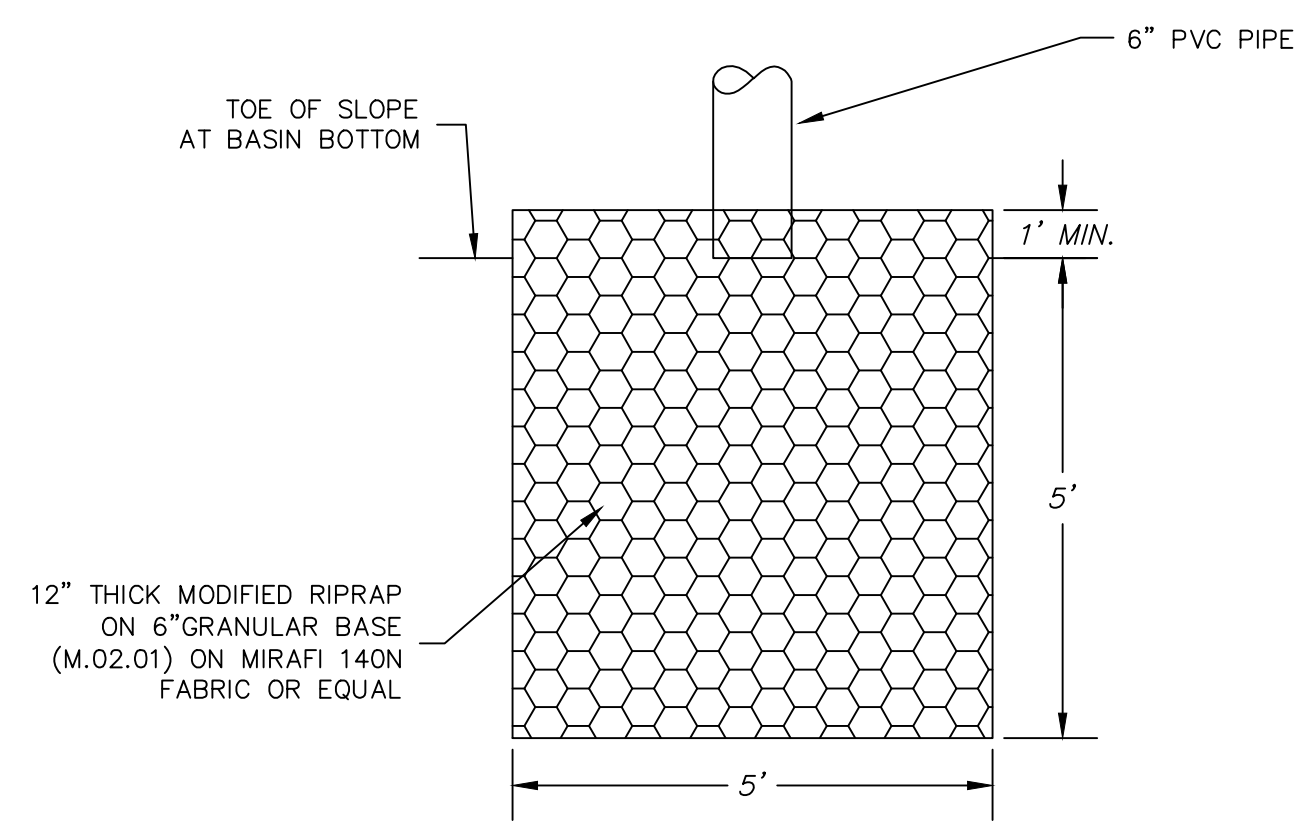
EARTHEN SPILLWAY
NOT TO SCALE



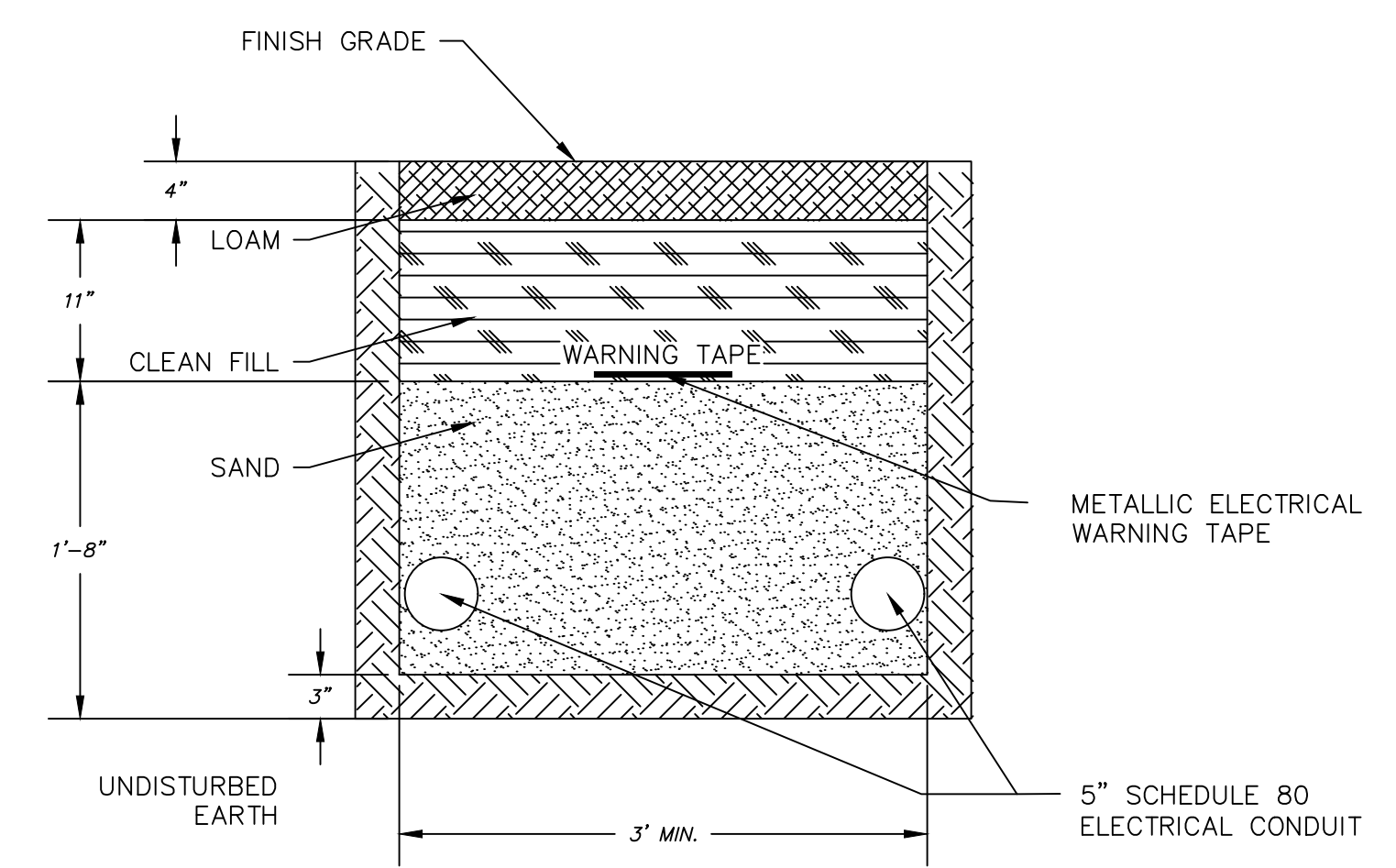
LEVEL SPREADER SECTION
NOT TO SCALE



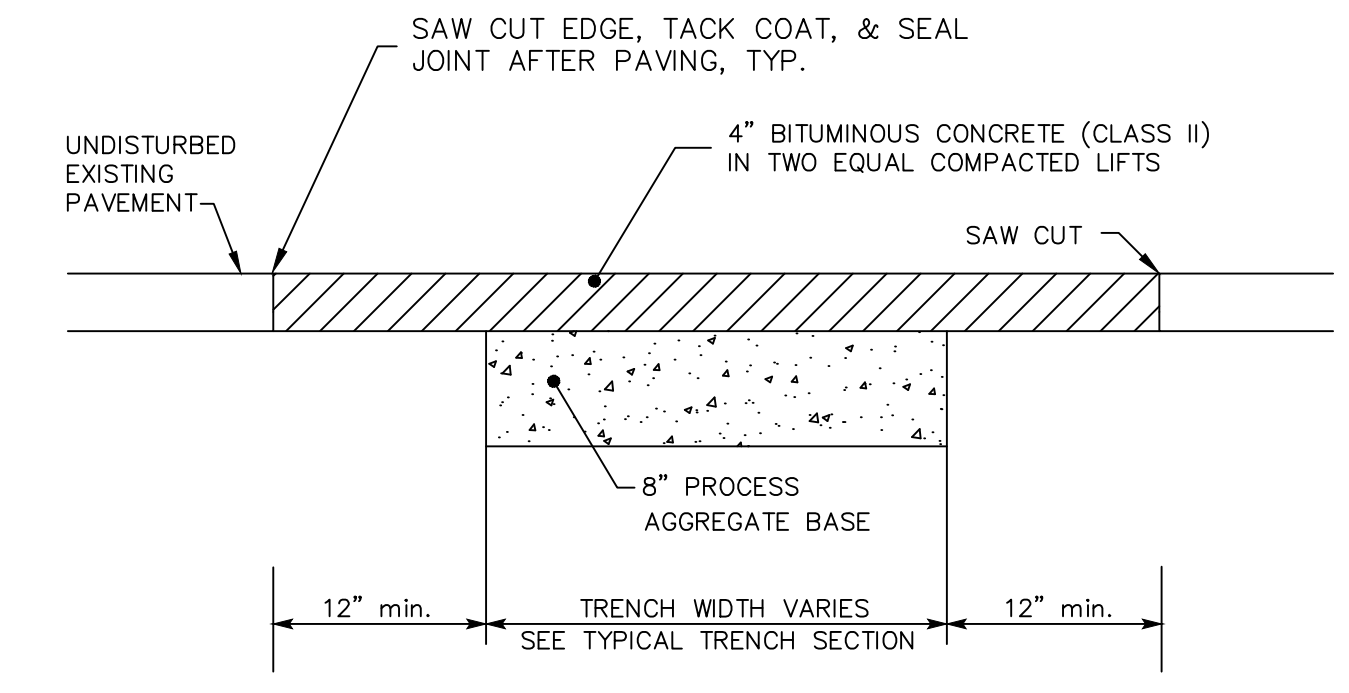
EVERGREEN TREE PLANTING
NOT TO SCALE



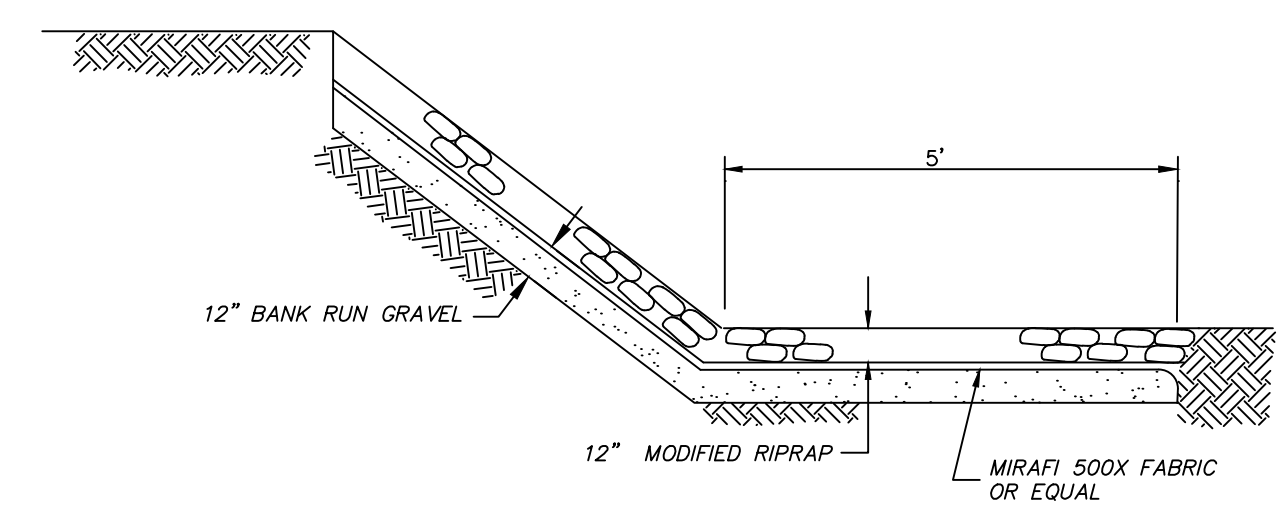
DISCHARGE TO BASIN
NOT TO SCALE



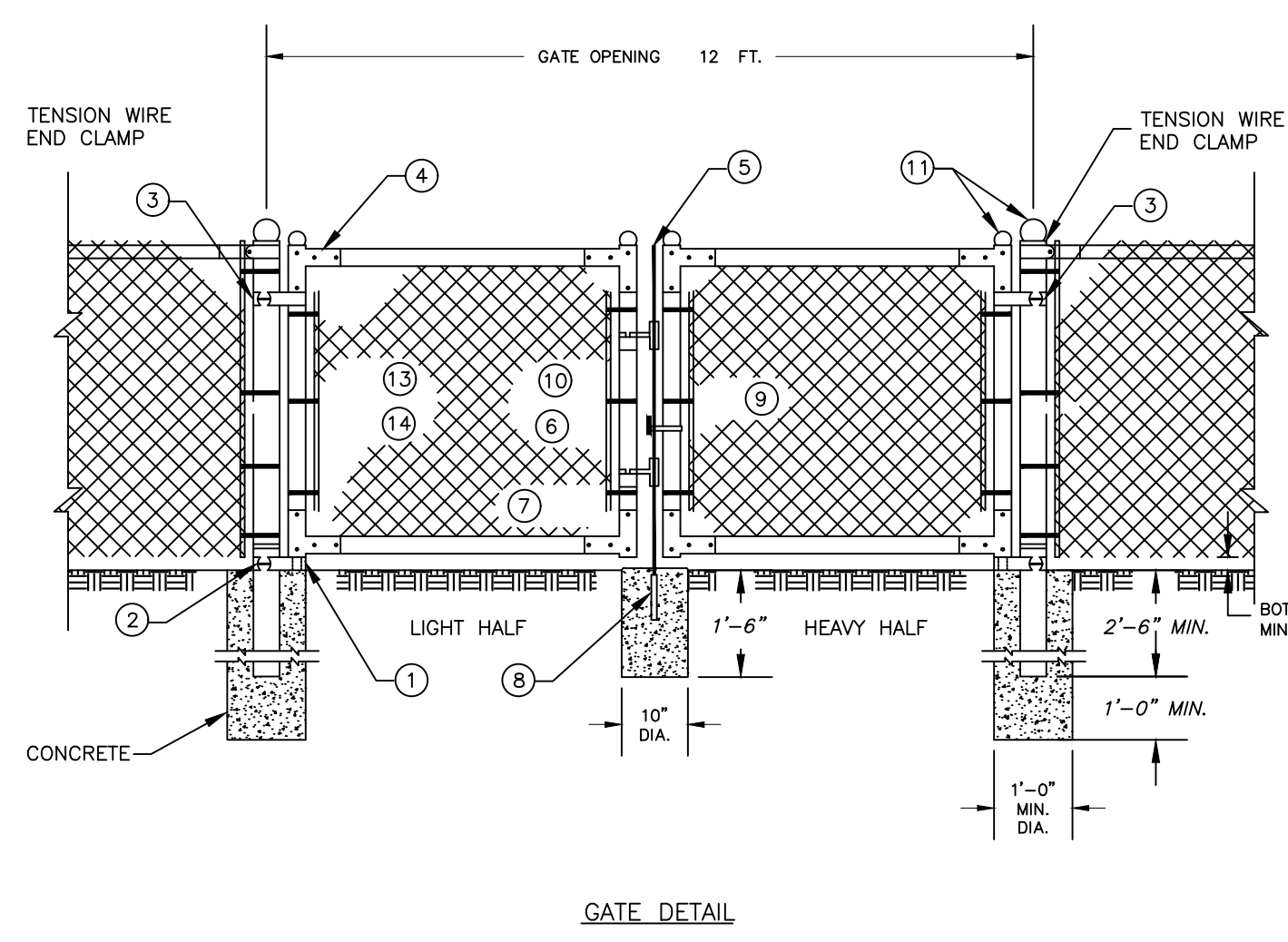
MEDIUM VOLTAGE CABLE TRENCH DETAIL (MV)
NOT TO SCALE



PERMANENT PAVEMENT PATCH
NOT TO SCALE



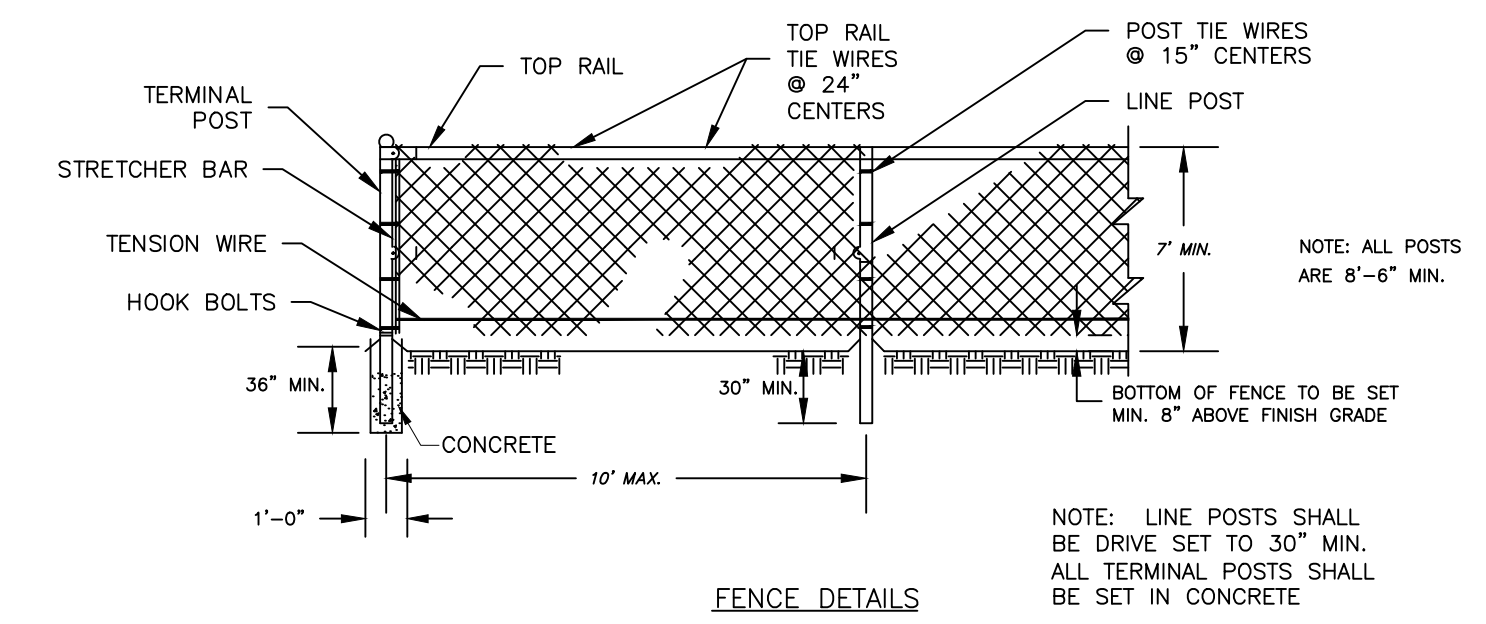
RIPRAP SLOPE PROTECTION AT SPILLWAY
NOT TO SCALE



LEGEND

PART NO.	DESCRIPTION	QUANTITY
1	STRAIGHT PLUG	2
2	BOTTOM HINGE	2
3	TOP HINGE	2
4	CORNER ELBOW	8
5	PLUNGER ROD	1
6	LATCH FORK	2
7	FORK CATCH	2
8	PLUNGER ROD CATCH	1
9	LOCK KEEPER GUIDE	1
10	LOCK KEEPER	1
11	ORNAMENTAL TOPS	6
12	TRUSS RODS	4
13	STRETCHER BAR	4
14	HOOK BOLTS	12

NOTE: THE FENCING SHALL BE #9 GAGE FENCE FABRIC, STANDARD 2-INCH CHAIN LINK DIAMOND MESH.



SHAPE, SIZE AND WEIGHT REQUIREMENTS FOR FENCE POSTS AND RAILS

ITEM	SHAPE	OUTSIDE DIMENSIONS INCHES	WEIGHT LBS./LIN. FT.
**	ROUND	2.375	3.65
TERMINAL POSTS	*ROUND	2.375	3.12
LINE POSTS	ROUND	1.90	2.72
POSTS	*ROUND	1.90	2.28
TOP & BRACE RAILS	ROUND	1.66	2.27
	*ROUND	1.66	1.84

GATE FRAME MEMBERS SIZE AND WEIGHT

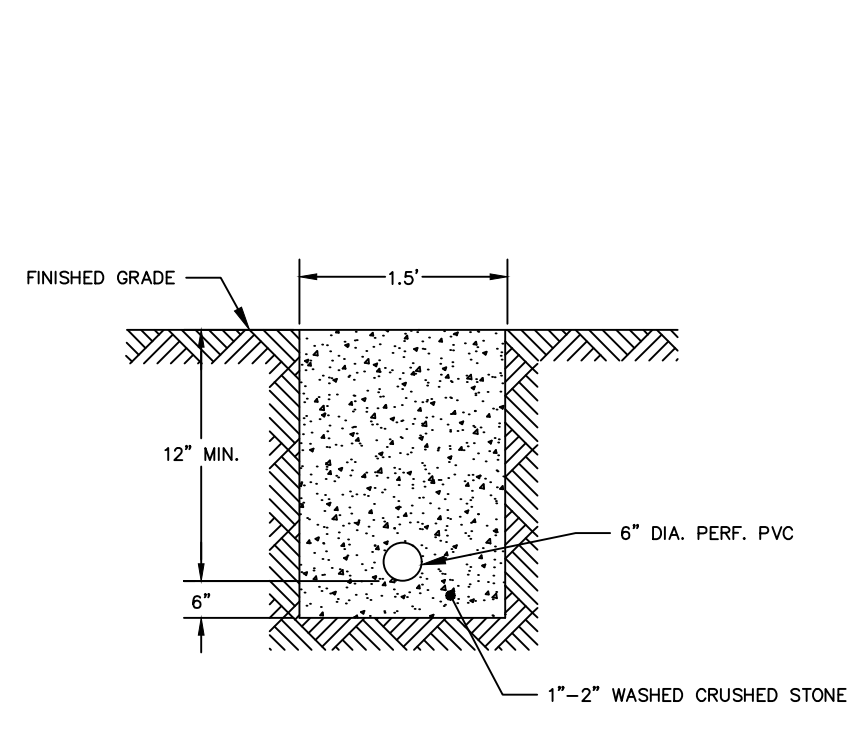
GATE FRAME	OUTSIDE DIMENSIONS INCHES	WEIGHT LBS./LIN. FT.
ROUND	1.66	2.27
*ROUND	1.66	1.84

GATE POST SIZE AND WEIGHT

GATE LEAF WIDTH OF 6 FT. OR LESS	OUTSIDE DIMENSIONS INCHES	WEIGHT LBS./LIN. FT.
ROUND	2.875	5.79
*ROUND	2.875	4.64

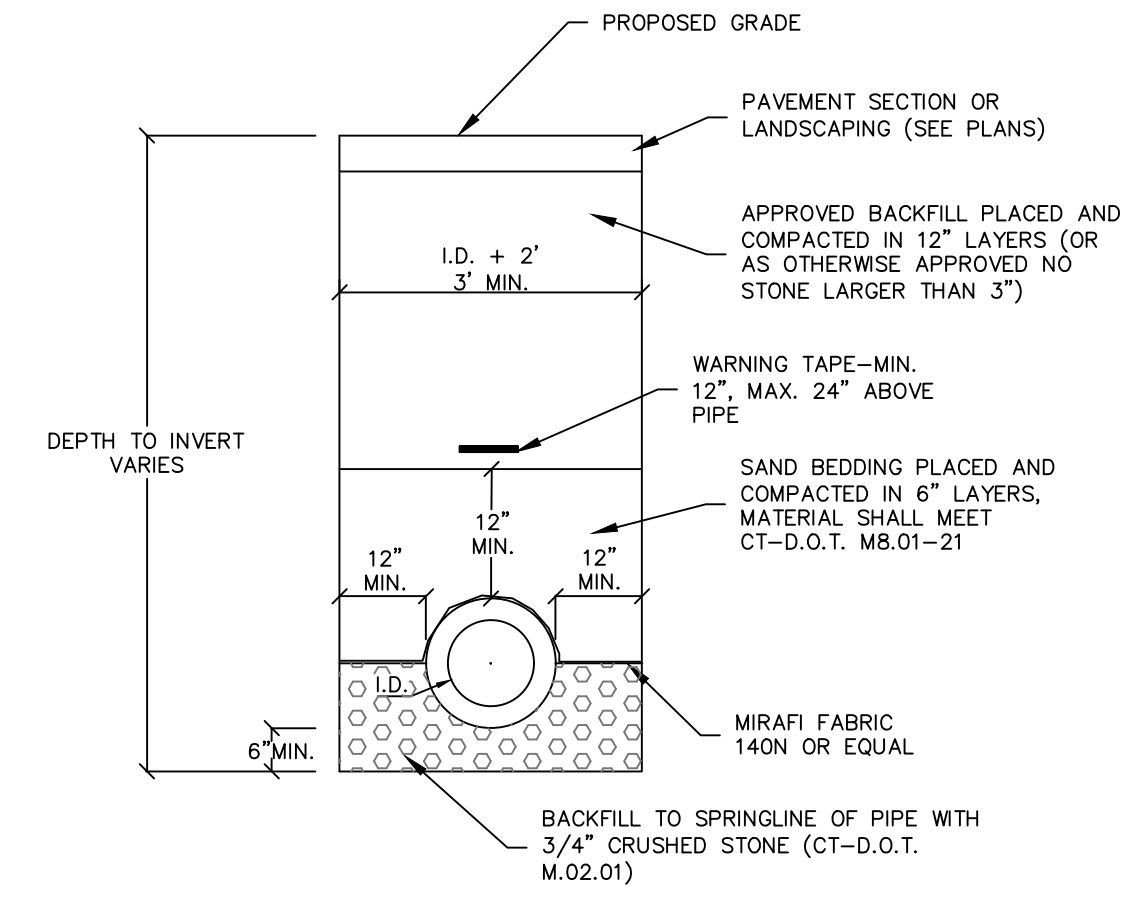
- CONSTRUCTION NOTES**
- MATERIALS AND WORKMANSHIP NOT SHOWN ON THIS DRAWING SHALL CONFORM TO THE MANUFACTURER'S SPECIFICATIONS.
 - ALL POSTS SHALL BE INSTALLED VERTICALLY. WHERE POSTS ARE INSTALLED ON AN INCLINED SURFACE, THE ANGLE OF THE POST SHALL BE ADJUSTED SO THAT THE POST WILL BE VERTICAL.
 - THE FENCING SHALL BE #9 GAGE FENCE FABRIC, STANDARD 2-INCH CHAIN LINK DIAMOND MESH.
 - SOUTH FACING FENCE SHALL BE PVC COATED, COLOR BLACK.

CHAIN LINK FENCE DETAIL
NOT TO SCALE



NOTE: UPSTREAM END OF PIPE TO BE SET AT 12\"/>

CURTAIN DRAIN
NOT TO SCALE



STANDARD STORM DRAIN DETAIL
NOT TO SCALE