



STATE OF CONNECTICUT  
*CONNECTICUT SITING COUNCIL*

Ten Franklin Square, New Britain, CT 06051

Phone: (860) 827-2935 Fax: (860) 827-2950

E-Mail: [siting.council@ct.gov](mailto:siting.council@ct.gov)

Web Site: [portal.ct.gov/csc](http://portal.ct.gov/csc)

**VIA ELECTRONIC MAIL**

June 20, 2022

Kathleen M. Shanley  
Manager – Transmission Siting  
Eversource Energy  
56 Prospect Street  
Hartford, CT 06103  
[kathleen.shanley@eversource.com](mailto:kathleen.shanley@eversource.com)

RE: **PETITION NO. 1448** - The Connecticut Light and Power Company d/b/a Eversource Energy declaratory ruling, pursuant to Connecticut General Statutes §4-176 and §16-50k, for proposed modifications to its existing Card Substation located at 181 Card Street, Lebanon, Connecticut.

Dear Ms. Shanley:

The Connecticut Siting Council (Council) is in receipt of your correspondence dated June 20, 2022 regarding a project change for the above-referenced declaratory ruling issued by the Council on June 4, 2021.

Pursuant to Condition No. 1 of the Council's June 4, 2021 Declaratory Ruling, the request to modify the dimensions of the expanded fence area in the southeastern portion of the substation from approximately 90 feet by 45 feet to approximately 107.5 feet by 55 feet is hereby approved. The change will provide greater clearance and space around the new control house.

This approval applies only to the project change in the correspondence dated June 20, 2022. Any significant changes to the project require advance Council notification and approval.

Please be advised that deviations from the standards established by the Council in the Declaratory Ruling are enforceable under the provisions of Connecticut General Statutes §16-50u.

Thank you for your attention and cooperation.

Sincerely,

Melanie A. Bachman  
Executive Director

MB/MP

c: The Honorable Kevin Cwikla, First Selectman, Town of Lebanon ([firstselectman@lebanonct.gov](mailto:firstselectman@lebanonct.gov))  
Andrew Lord, Project Siting Specialist, Eversource Energy ([andrew.lord@eversource.com](mailto:andrew.lord@eversource.com))

**Kathleen M. Shanley**  
Manager – Transmission Siting  
Tel: (860) 728-4527

June 20, 2022

Melanie Bachman, Executive Director  
Connecticut Siting Council  
10 Franklin Square  
New Britain, CT 06051

Re: Petition No.1448: Card Street Substation  
Request for Minor Project Change

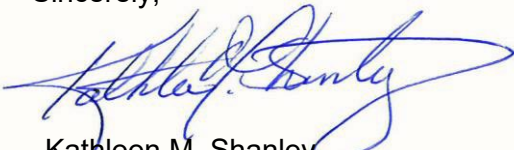
Dear Ms. Bachman:

Eversource is requesting approval from Siting Council staff for the following modification to Petition No. 1448:

- Eversource is requesting approval of minor changes to the dimensions of the substation fence expansion in the vicinity of the new 115-kilovolt control house. Specifically, Eversource is proposing to increase the expanded fence area from approximately 45 feet by 90 feet (as approved) to approximately 55 feet by 107.5 feet, as shown in red on the attached drawing.
- The purpose of the additional area is to provide greater clearances between the substation perimeter fence and the new control house, which would improve substation security and to provide additional space in the vicinity of the control house for potential equipment modifications or replacements in and near the control house. The increased fence area would also improve safety for operations personnel as it will allow for a wider drive path and reduce the congestion near critical substation equipment.
- The substation fence expansion would occur fully within Eversource-owned property and would not have any impacts on any wetlands, other environmental resources, or abutting landowners.

Please contact me with any questions.

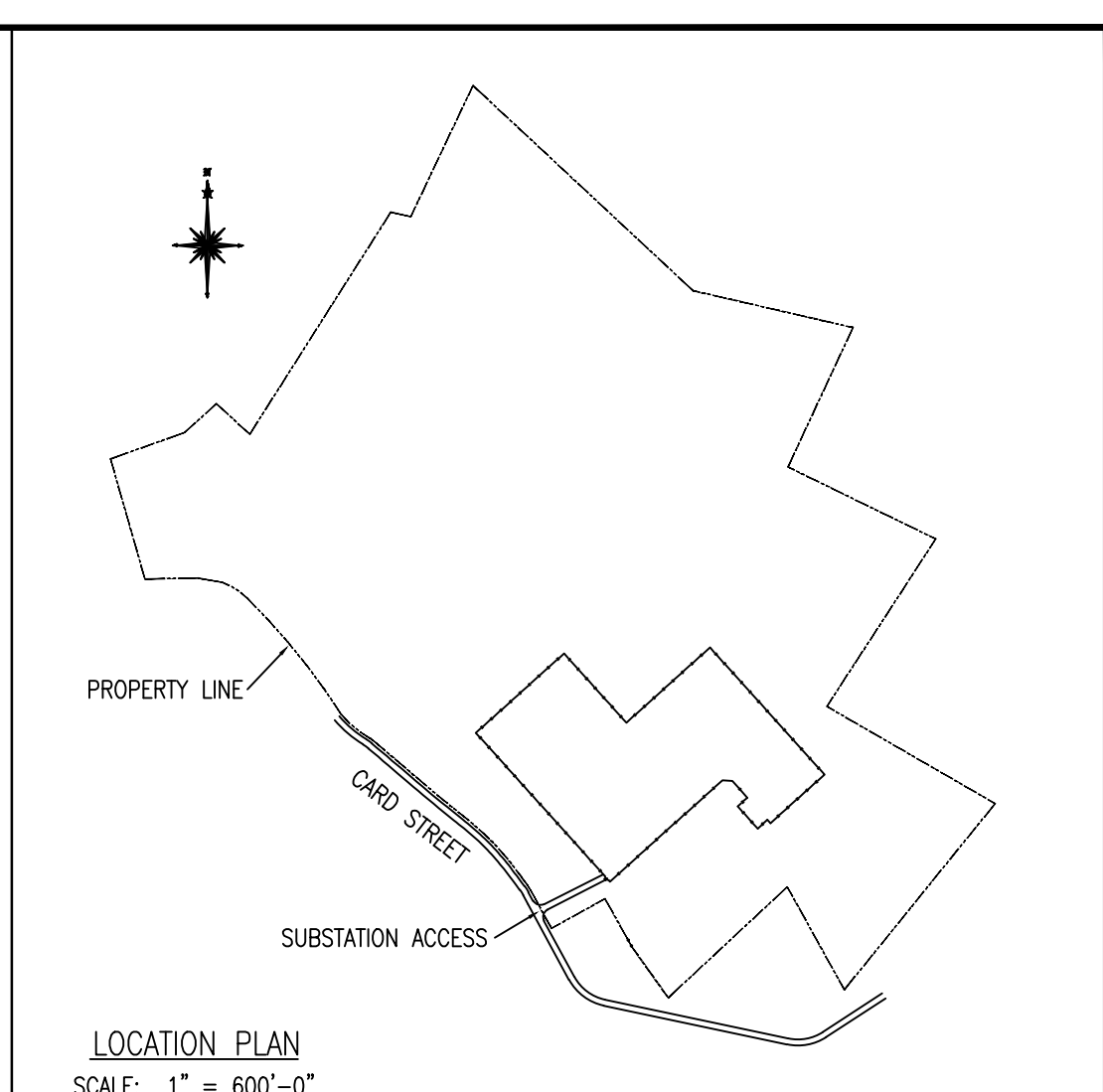
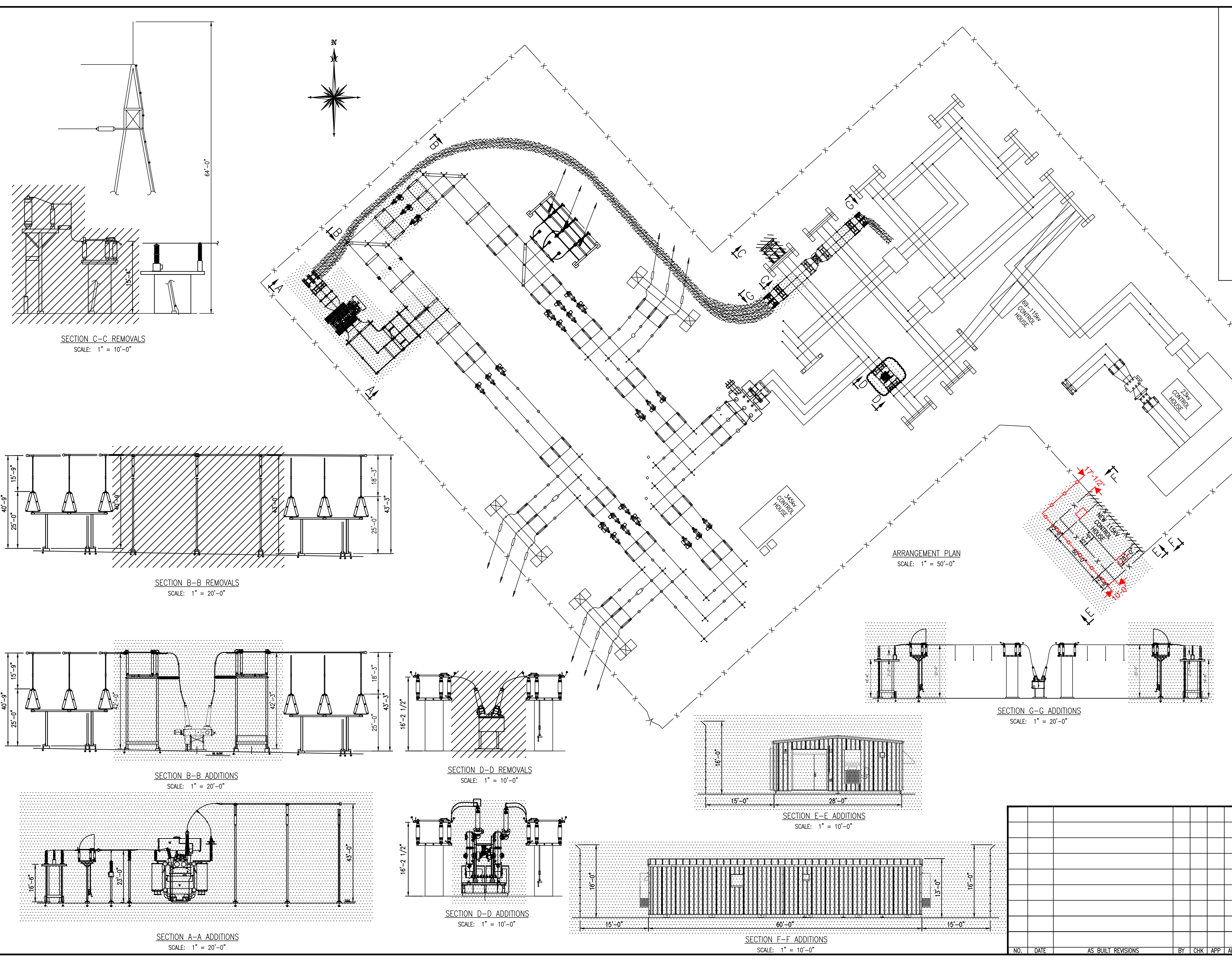
Sincerely,



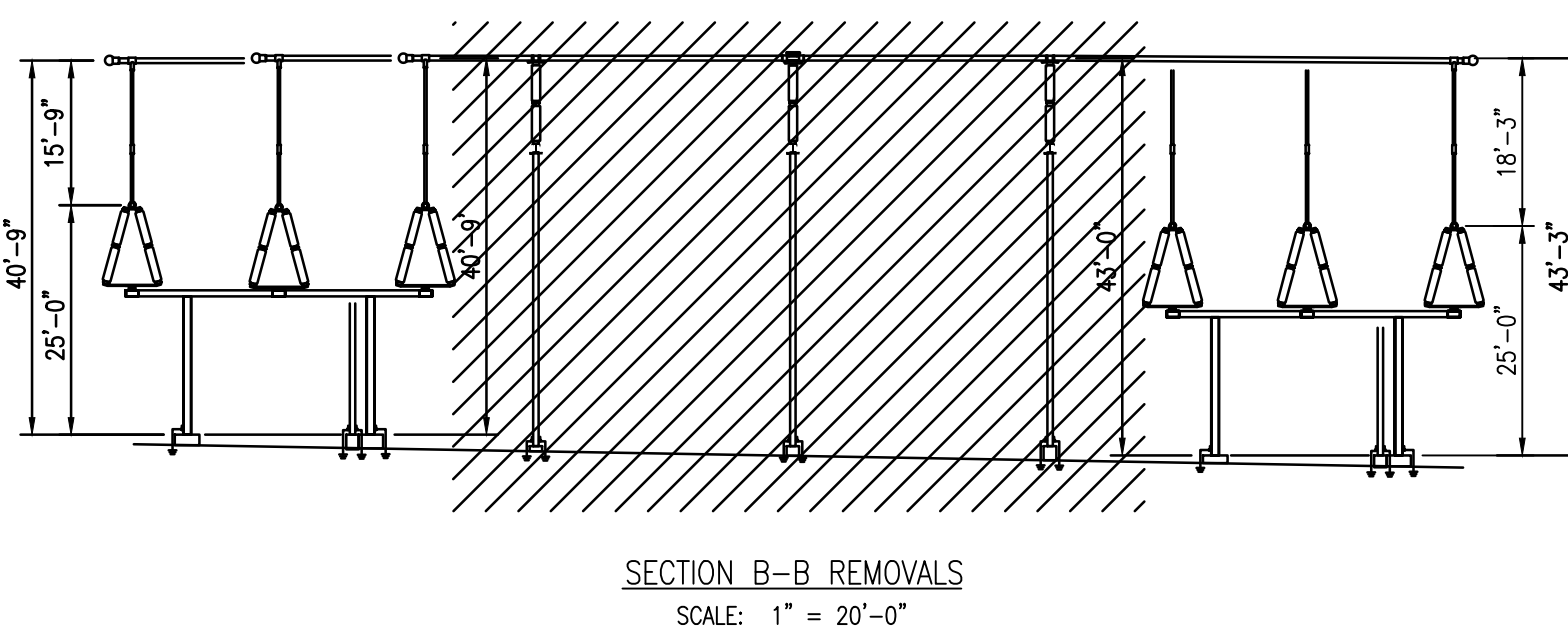
Kathleen M. Shanley  
Manager – Transmission Siting



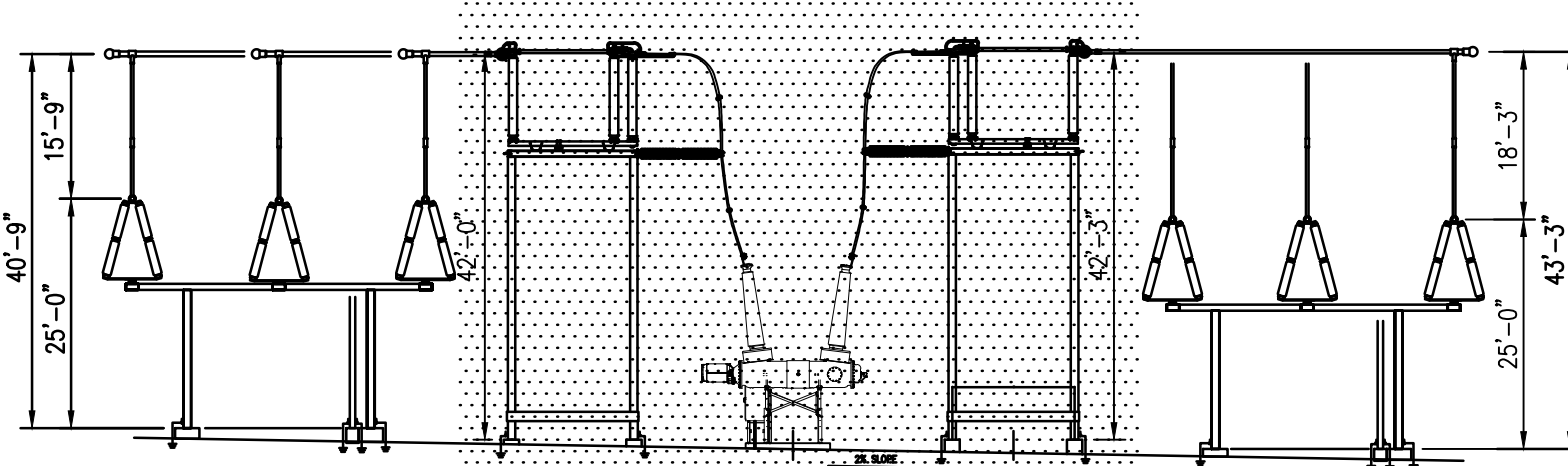
3/9/2021 11:28 AM - jgreen - C:\p\_projects\green\17101-92003.dwg - CSC PROPOSAL 2019 ADDITIONS 4X  
ES. VER. 05/2015



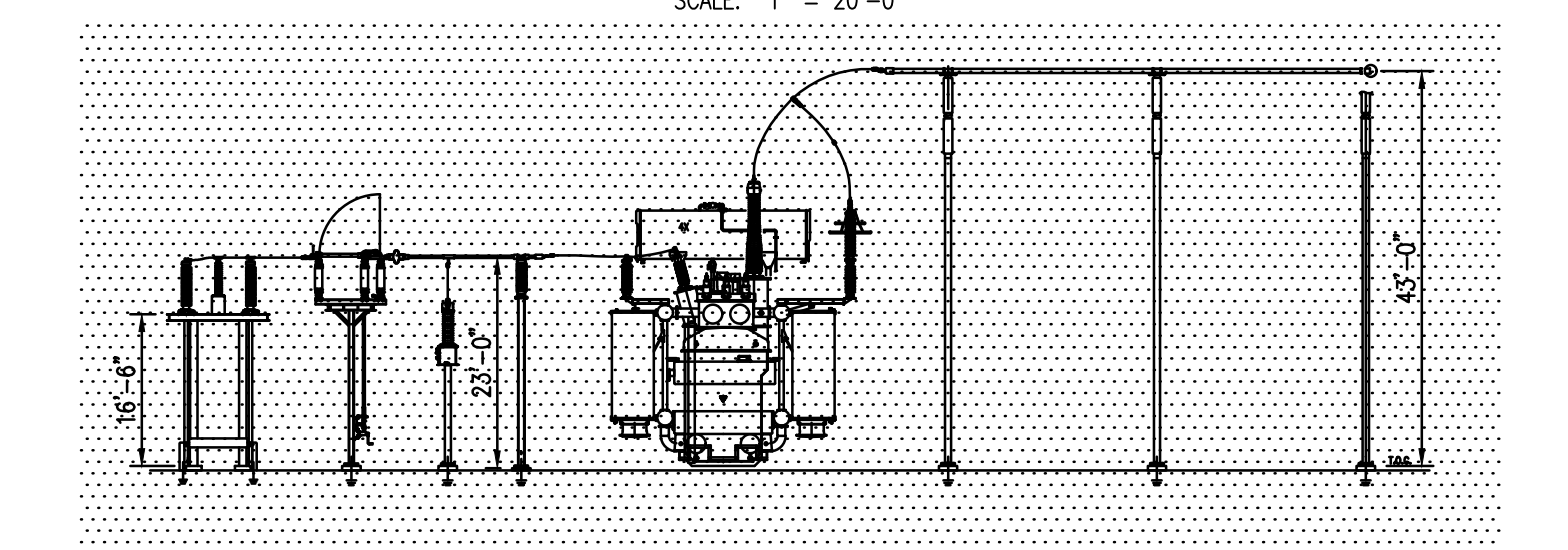
SECTION C-C REMOVALS  
SCALE: 1" = 10'-0"



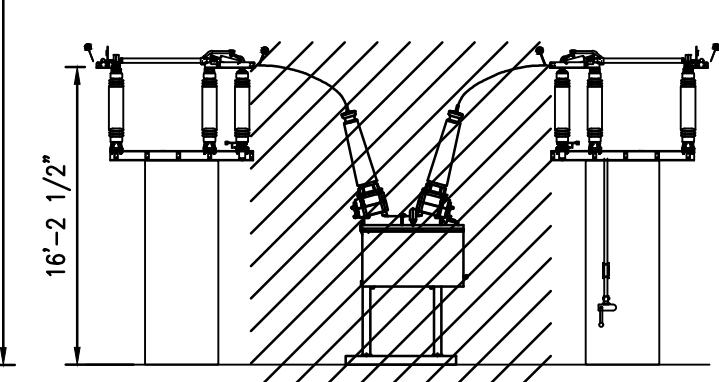
SECTION B-B REMOVALS  
SCALE: 1" = 20'-0"



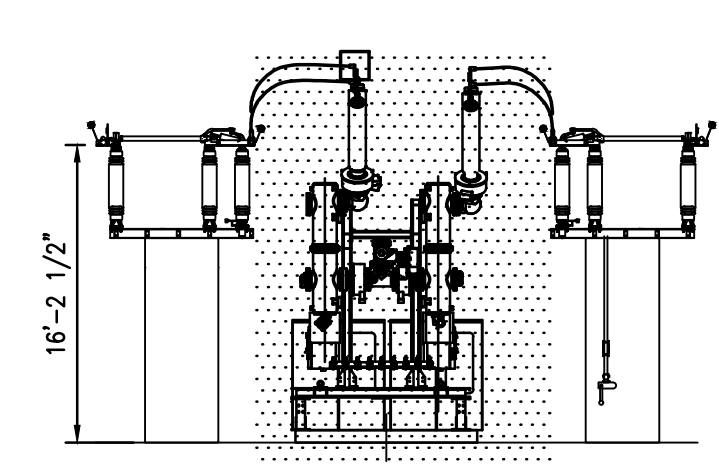
SECTION B-B ADDITIONS  
SCALE: 1" = 20'-0"



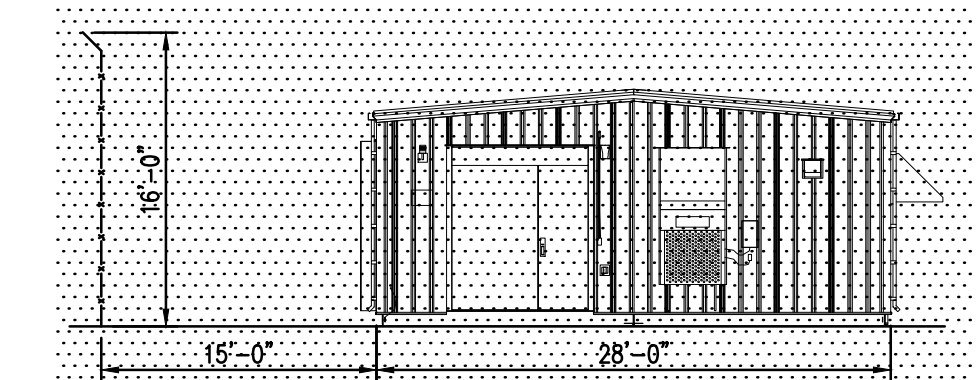
SECTION A-A ADDITIONS  
SCALE: 1" = 20'-0"



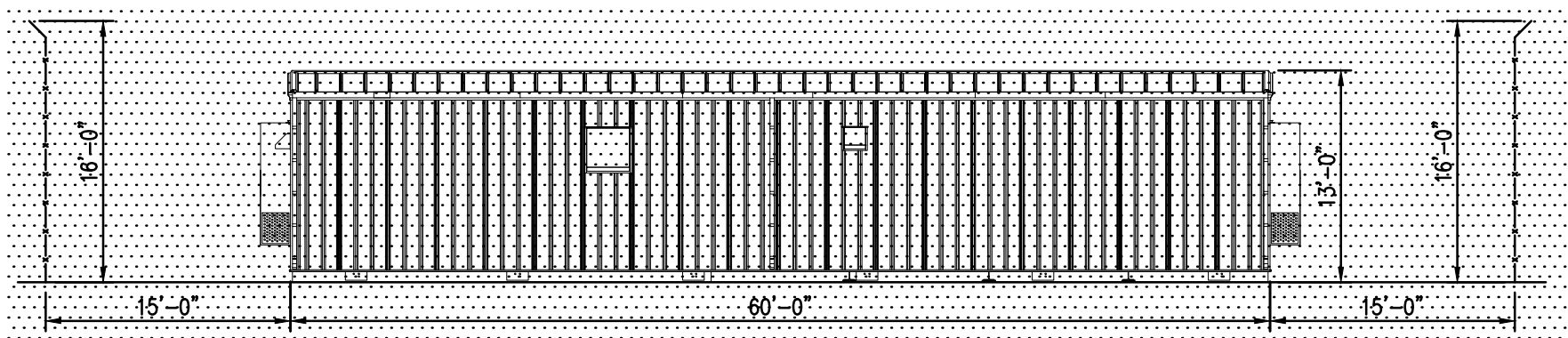
SECTION D-D REMOVALS  
SCALE: 1" = 10'-0"



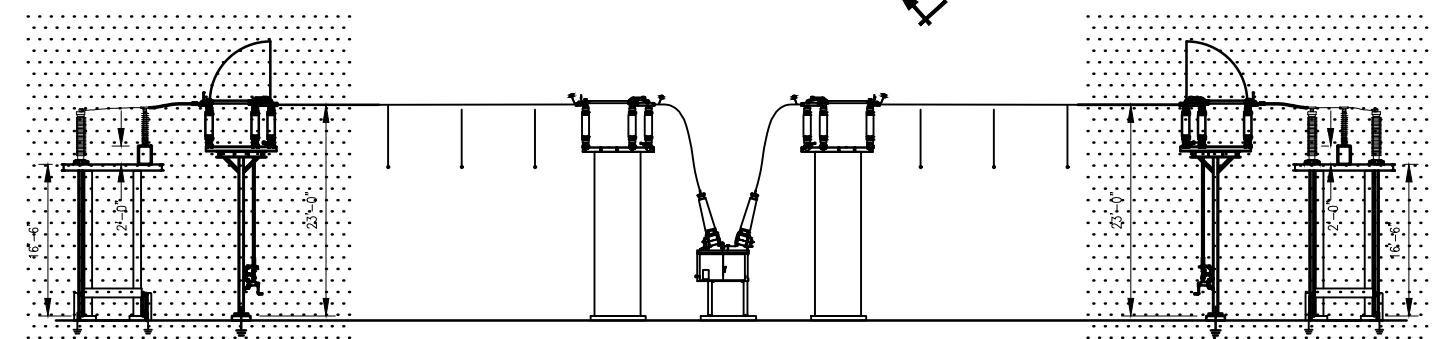
SECTION D-D ADDITIONS  
SCALE: 1" = 10'-0"



SECTION E-E ADDITIONS  
SCALE: 1" = 10'-0"

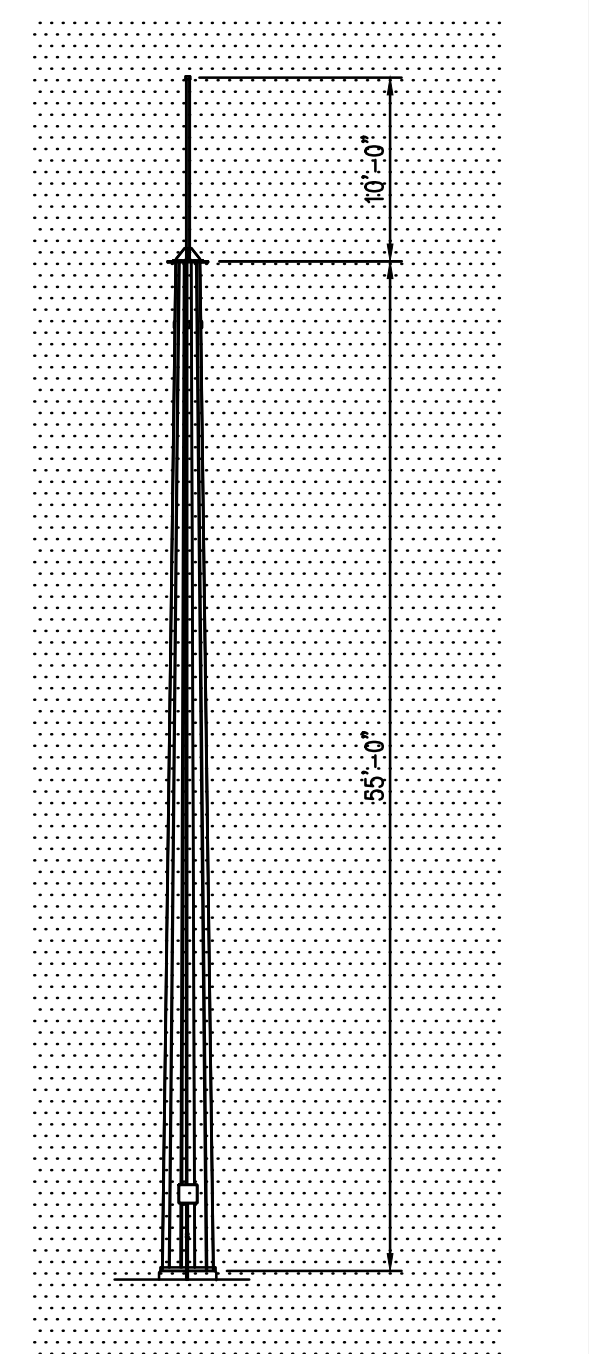


SECTION F-F ADDITIONS  
SCALE: 1" = 10'-0"



SECTION G-G ADDITIONS  
SCALE: 1" = 20'-0"

ARRANGEMENT PLAN  
SCALE: 1" = 50'-0"



LIGHTNING MAST  
SCALE: 1" = 10'-0"  
(LIGHTNING MAST LOCATIONS TO BE DETERMINED UPON COMPLETION OF LIGHTNING PROTECTION STUDY.)

- 4X ABOVE GRADE ADDITIONS
- 4X BELOW GRADE ADDITIONS
- 4X ABOVE GRADE REMOVALS

REVISIONS DURING CONSTRUCTION	

**EVERSOURCE ENERGY**

**CARD SUBSTATION  
GENERAL ARRANGEMENT - PLAN & SECTIONS  
CONNECTICUT SITING COUNCIL  
LEBANON, CT**

BY	MP	CHKD	RAS	APP	MJM	APP	KA
DATE	2001	DATE	2001	DATE	2001	DATE	2001
H-SCALE	AS NOTED	S-SCALE	D	FIELD BOOK & PAGES			
V-SCALE	AS NOTED	V.S.		R.E. DWG			
R.E. PROJ. NUMBER			DWG. NO.				

NO.	DATE	AS BUILT REVISIONS	BY	CHK	APP	APP
-----	------	--------------------	----	-----	-----	-----

17101-92003