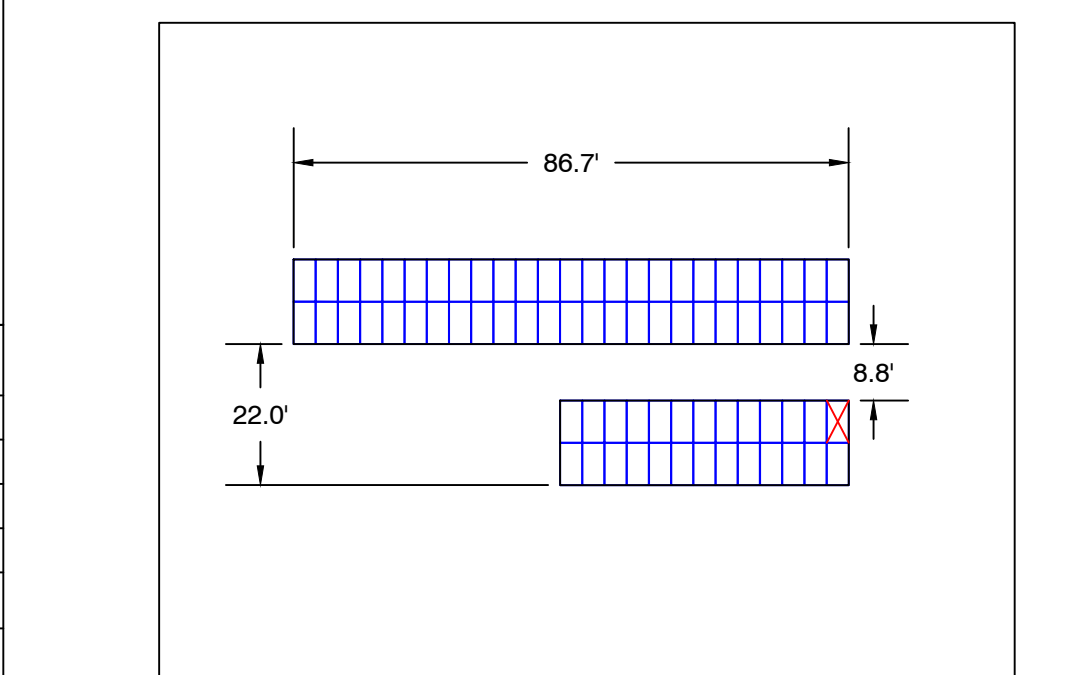
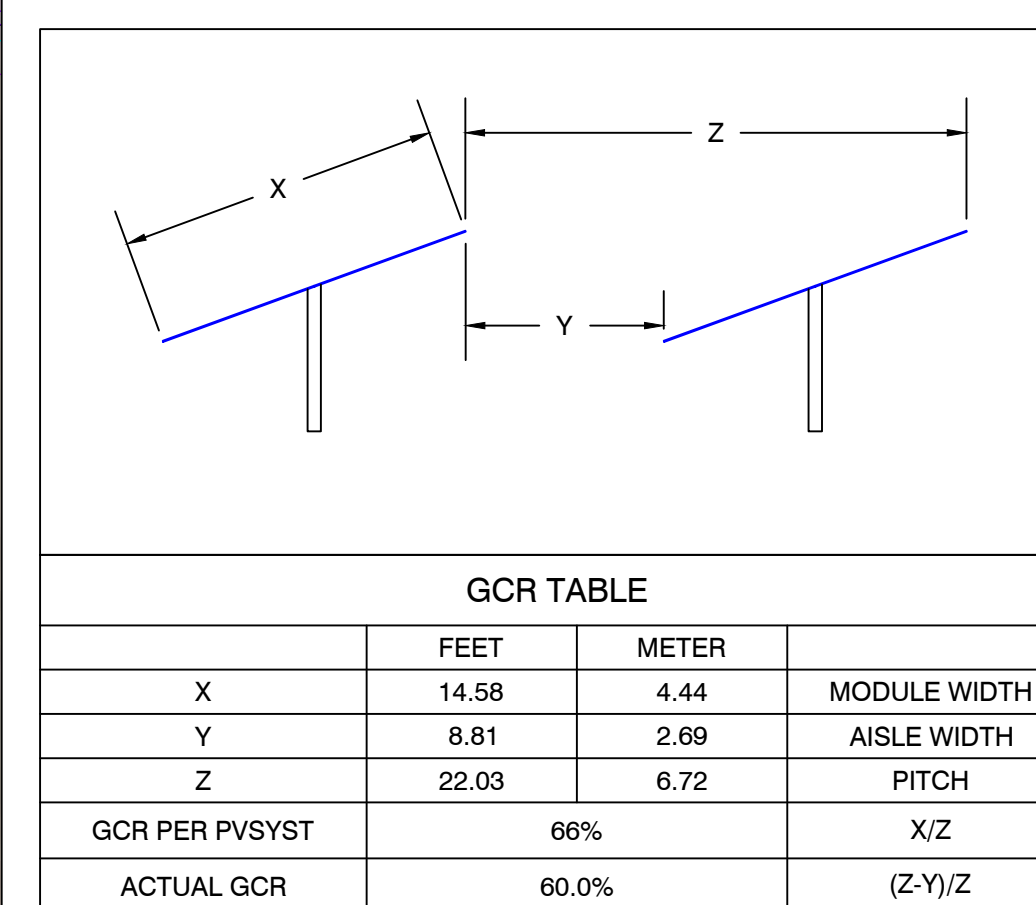


LEGEND	
	2P X 25 HANWHA Q-CELLS 480W @25° TILT
	2P X 13 HANWHA Q-CELLS 480W @25° TILT
	EQUIPMENT RACK (TYP. OF 3) (1) LV SWITCHGEAR (1) MV TRANSFORMER
	STRING INVERTER
	OVERHEAD ELECTRICAL
	UNDERGROUND MEDIUM VOLTAGE CABLE
	UNDERGROUND AC CABLE
	FENCE LINE
	WOOD FENCE LINE
	16' ACCESS ROADS
	QUARRY
	WETLANDS
	25' WETLAND BUFFER
	100' WETLAND BUFFER
	VERNAL POOL
	WETLAND ID
	VERNAL POOL ID
	LINE OF DISTURBANCE
	TREE LINES
	STORMWATER BASIN
	PROPERTY BOUNDARY
	LAYDOWN AREA

PROJECT DETAILS	
SYSTEM SIZE AC	8,350.00 kW
SYSTEM SIZE DC	12,060.00 kW
DC/AC RATIO	1.44
MODULE MODEL	HANWHA Q CELLS Q.PEAK DUO XL-G10.3/BFG 480W
MODULE RATING	480 W
TOTAL MODULE QTY	25,125
# OF MODULES PER STRINGS	25
TOTAL # OF STRINGS	1,005
INVERTER MODEL	SUNGROW SG125HX
INVERTER RATING	125 kW
TOTAL INVERTER QTY	76
RACKING	GROUND MOUNT FIXED TILT
TILT ANGLE	25°
AZIMUTH	180°
PITCH	22.03°
INTER ROW SPACING	8.81'
GCR	60%
FENCED AREA	31.49 ACRES
PROPERTY AREA	124.80 ACRES
LINE OF DISTURBANCE AREA	34.63 ACRES



STONINGTON SOLAR

428, PROVIDENCE-NEW LONDON TURNPIKE
NORTH STONINGTON, CT 06359, USA

LAT: 41.431830°N
LON: 71.821514°W

REV. NO	DESCRIPTION	DATE
0	PRELIMINARY	11/16/21

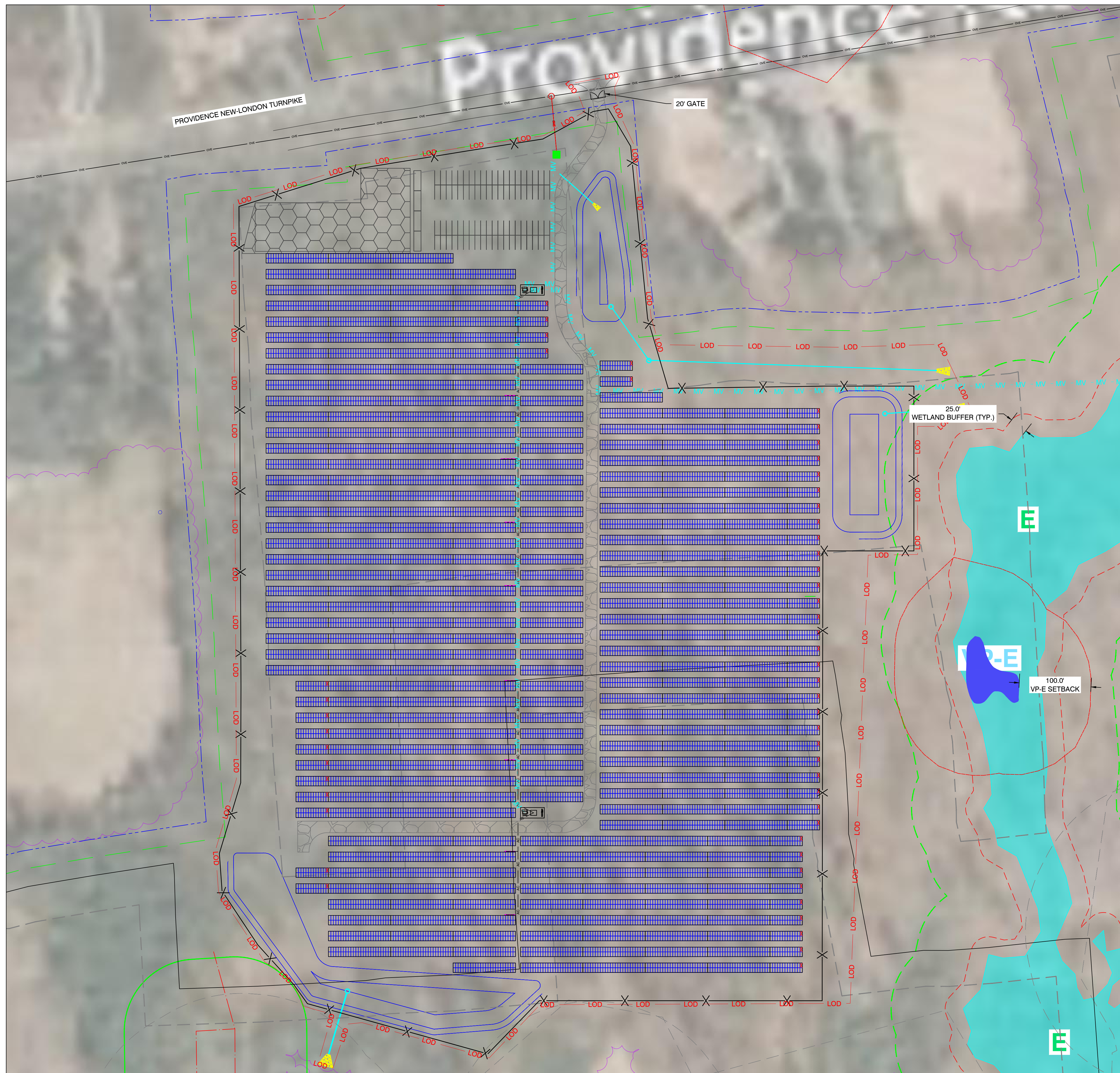
SHEET TITLE:		
PRELIMINARY LAYOUT		
PROJ. MGR.	PROJ. ENGR. SDE	DATE: 11/16/21
DRAWN BY: LR	CHECKED BY:	SCALE: AS SHOWN
DRAWING NO.		

1 ARRAY PLAN
PV-100 Scale: 1"=200'

2 GCR DETAILS
PV-100 Scale: NTS

3 TYP. MODULE RACKS
PV-100 Scale: 1"=30'

PV-100



LEGEND	
	2P X 25 HANWHA Q-CELLS 480W @25° TILT
	2P X 13 HANWHA Q-CELLS 480W @25° TILT
	EQUIPMENT RACK (TYP. OF 3) (1) LV SWITCHGEAR (1) MV TRANSFORMER
	STRING INVERTER
	OVERHEAD ELECTRICAL
	UNDERGROUND MEDIUM VOLTAGE CABLE
	UNDERGROUND AC CABLE
	FENCE LINE
	WOOD FENCE LINE
	16' ACCESS ROADS
	QUARRY
	WETLANDS
	25' WETLAND BUFFER
	100' WETLAND BUFFER
	VERNAL POOL
	WETLAND ID B/1B
	VERNAL POOL ID VP-1
	LINE OF DISTURBANCE
	TREE LINES
	STORMWATER BASIN
	PROPERTY BOUNDARY
	LAYDOWN AREA

SOLVIDA
DESIGN + ENGINEERING
1400 Shattuck Avenue, Suite 3
Berkeley, California 94709

SILICON RANCH

MILLER BROS.

STONINGTON SOLAR

428, PROVIDENCE-NEW LONDON TURNPIKE
NORTH STONINGTON, CT 06359, USA
LAT: 41.431830°N
LON: 71.821514°W

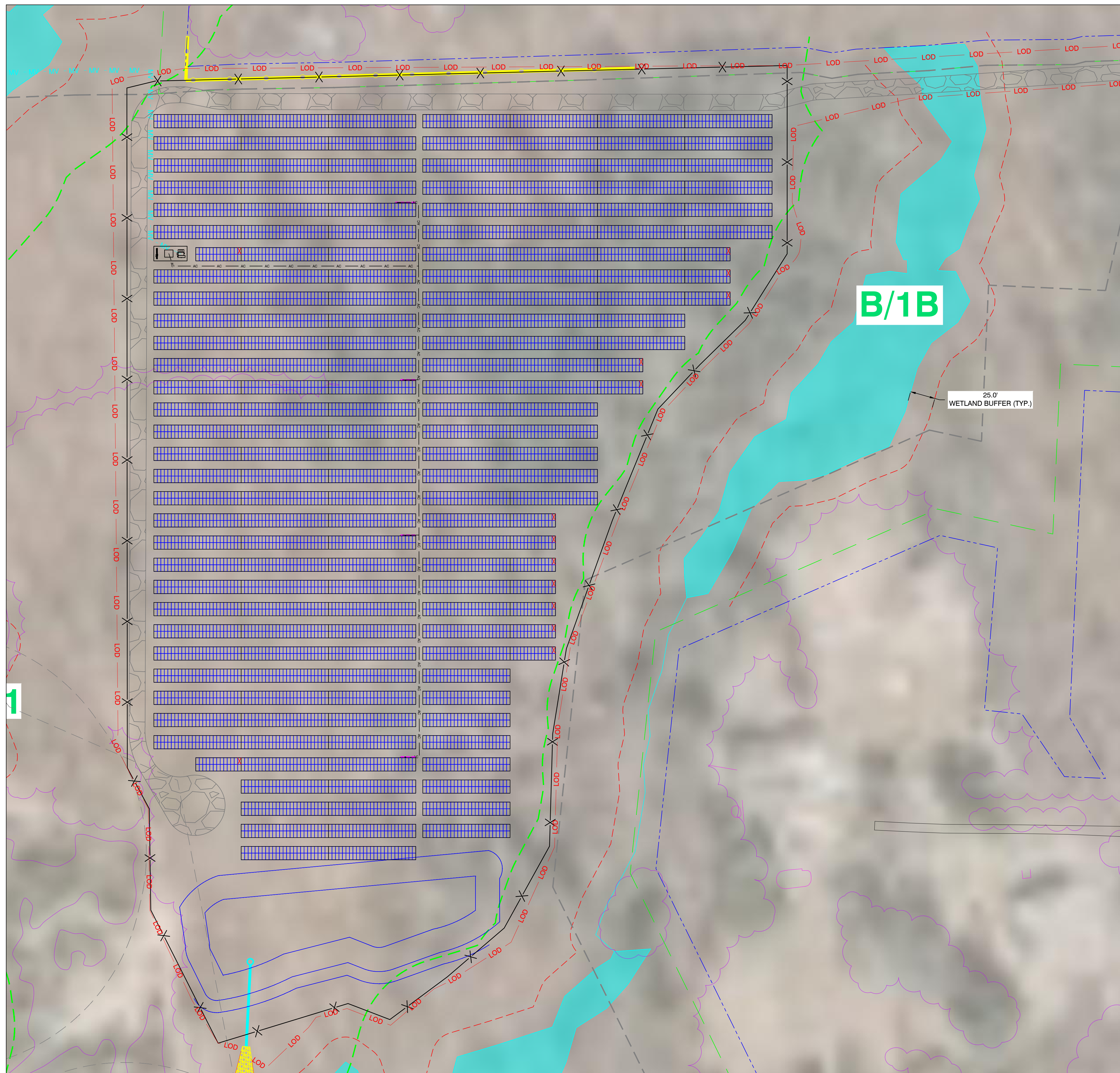
REV. NO	DESCRIPTION	DATE
0	PRELIMINARY	11/16/21

SHEET TITLE:
PRELIMINARY LAYOUT

PROJ. MGR.	PROJ. ENGR. SDE	DATE: 11/16/21
DRAWN BY: LR	CHECKED BY:	SCALE: AS SHOWN
DRAWING NO.		

PV-101

1 ARRAY PLAN
PV-101 Scale: 1"=70'



LEGEND	
	2P X 25 HANWHA Q-CELLS 480W @25° TILT
	2P X 13 HANWHA Q-CELLS 480W @25° TILT
	EQUIPMENT RACK (TYP. OF 3) (1) LV SWITCHGEAR (1) MV TRANSFORMER
	SUNGROW 250KW INVERTER (TYP. OF 38)
	OVERHEAD ELECTRICAL
	UNDERGROUND MEDIUM VOLTAGE CABLE
	UNDERGROUND AC CABLE
	FENCE LINE
	WOOD FENCE LINE
	16' ACCESS ROADS
	QUARRY
	WETLANDS
	25' WETLAND BUFFER
	100' WETLAND BUFFER
	VERNAL POOL
	WETLAND ID
	VERNAL POOL ID
	LINE OF DISTURBANCE
	TREE LINES
	STORMWATER BASIN
	PROPERTY BOUNDARY
	LAYDOWN AREA

SOLVIDA
DESIGN + ENGINEERING
1400 Shattuck Avenue, Suite 3
Berkeley, California 94709

SILICON RANCH

MILLER BROS.

STONINGTON SOLAR

428, PROVIDENCE-NEW LONDON TURNPIKE
NORTH STONINGTON, CT 06359, USA
LAT: 41.431830°N
LON: 71.821514°W

REV. NO	DESCRIPTION	DATE
0	PRELIMINARY	11/16/21

SHEET TITLE:
PRELIMINARY LAYOUT

PROJ. MGR.	PROJ. ENGR. SDE	DATE: 11/16/21
DRAWN BY: LR	CHECKED BY:	SCALE: AS SHOWN
DRAWING NO.		

PV-102

1 ARRAY PLAN
PV-102 Scale: 1"=50'

STONINGTON SOLAR

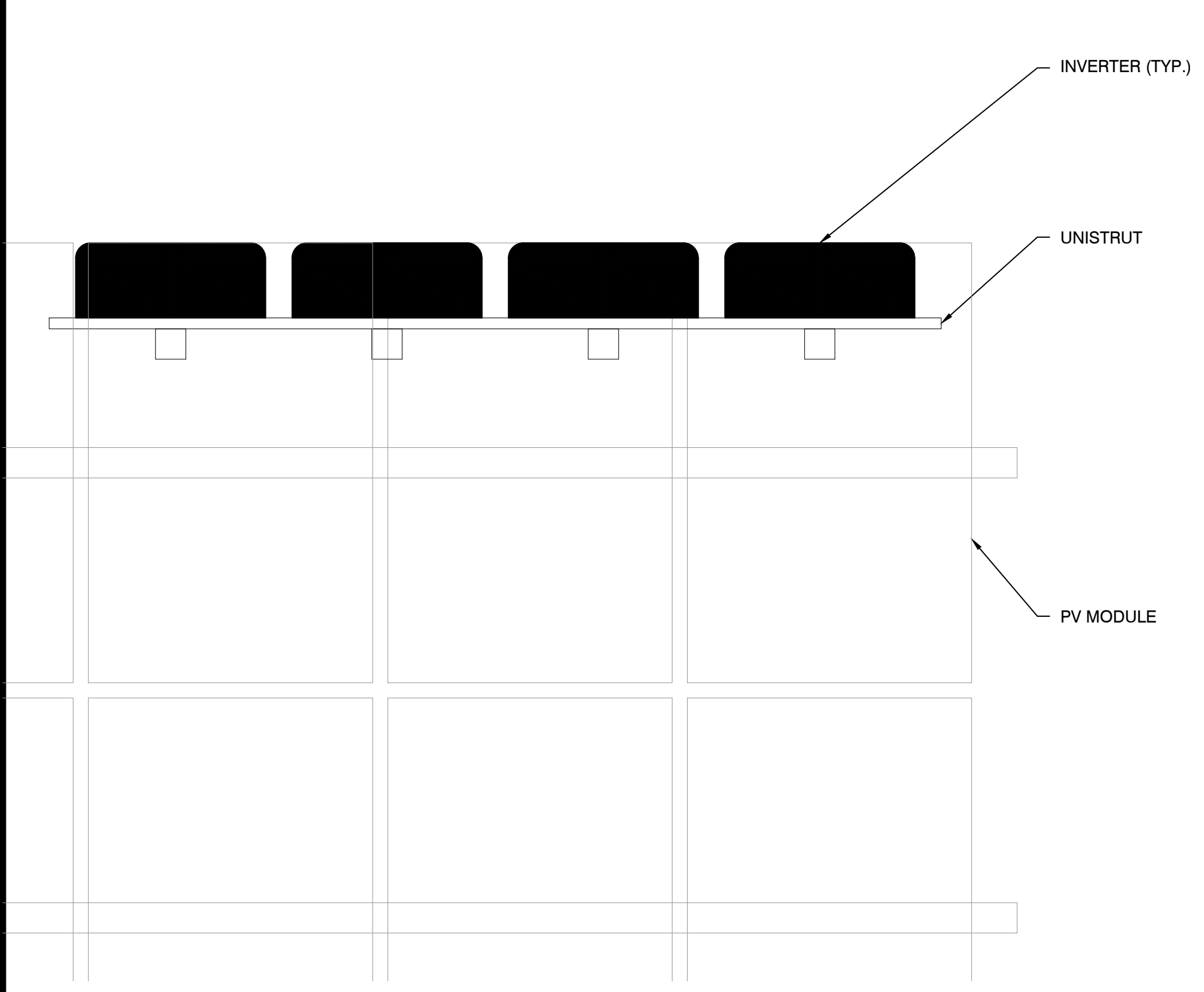
428, PROVIDENCE-NEW LONDON TURNPIKE
 NORTH STONINGTON, CT 06359, USA
 LAT: 41.431830°N
 LON: 71.821514°W

REV. NO	DESCRIPTION	DATE
0	PRELIMINARY	11/16/21

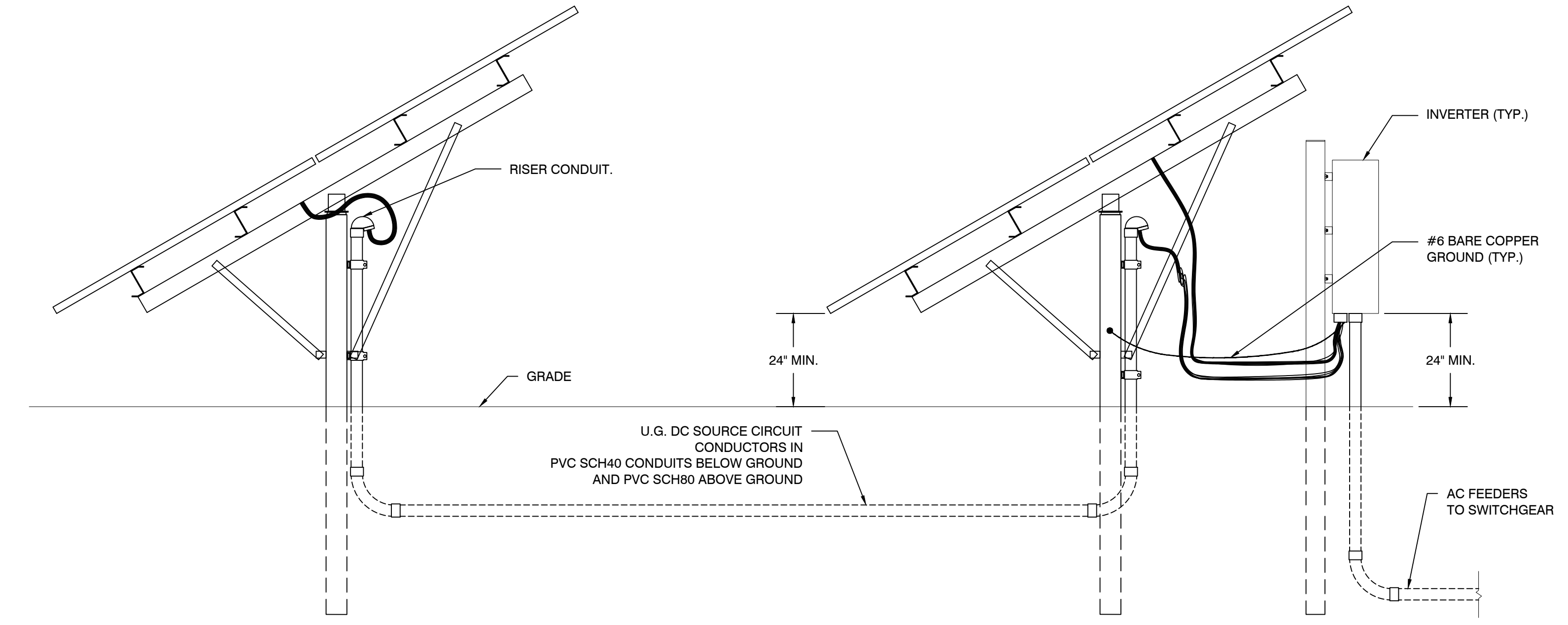
SHEET TITLE:
PRELIMINARY LAYOUT

PROJ. MGR.	PROJ. ENGR. SDE	DATE: 11/16/21
DRAWN BY: LR	CHECKED BY:	SCALE: AS SHOWN
DRAWING NO.		

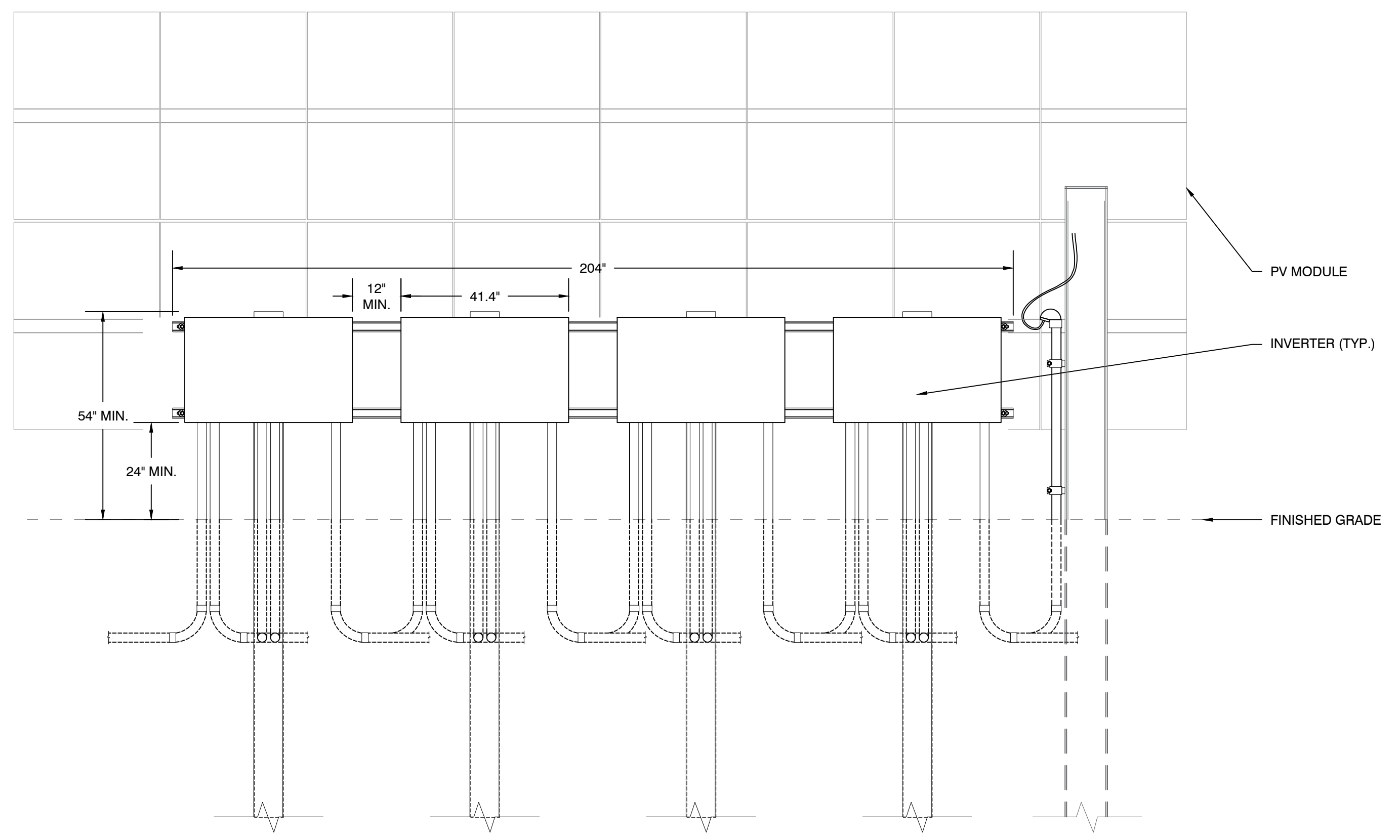
PV-103



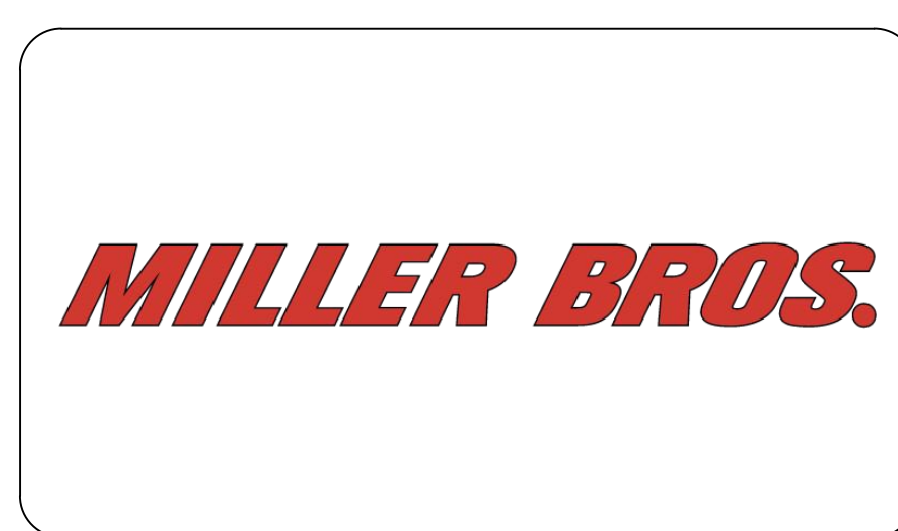
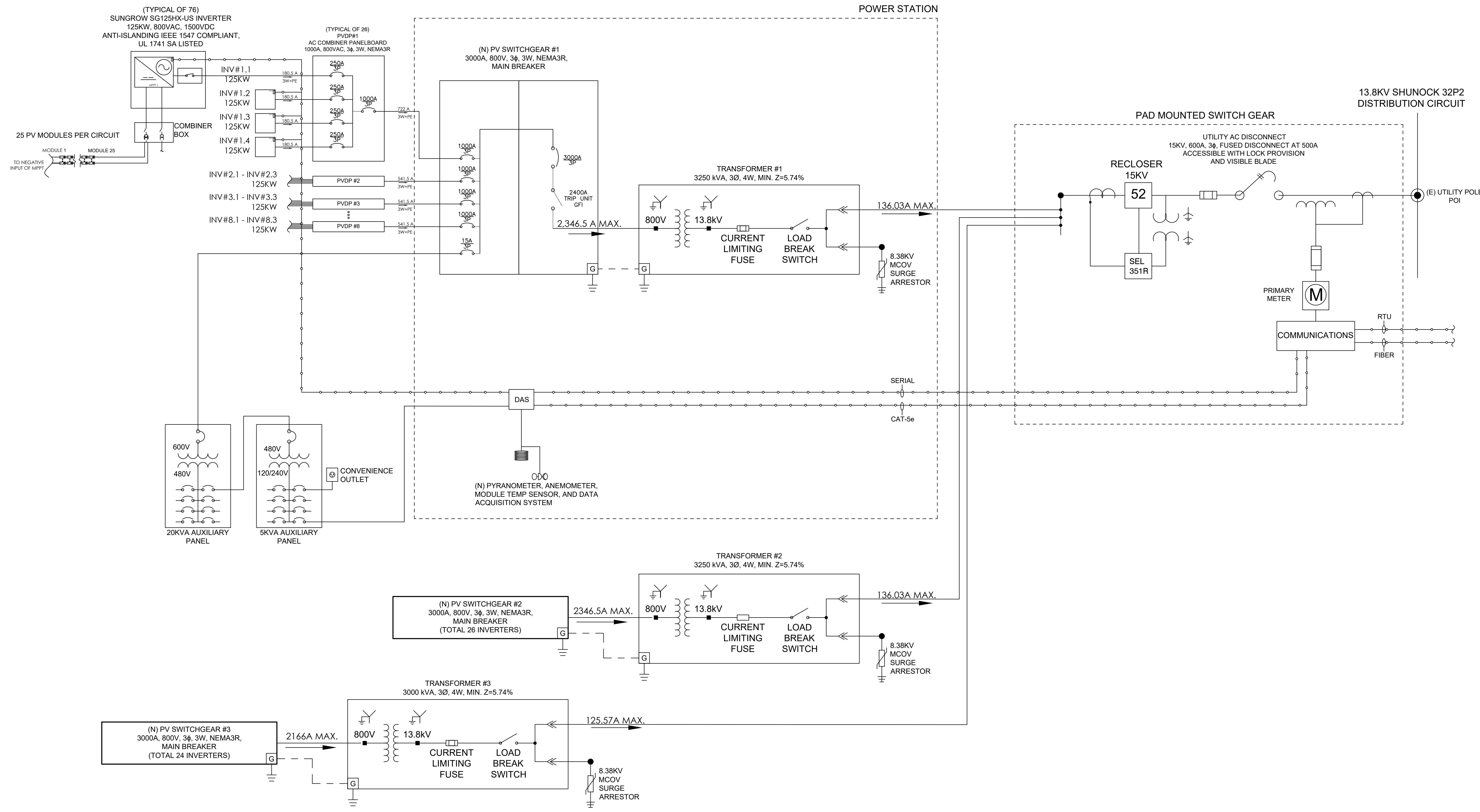
1 INVERTER MOUNTING (PLAN VIEW)
 Scale: NTS



2 INVERTER ELEVATION (SIDE VIEW) AND DC SOURCE CIRCUIT (JUMPER) TRENCH DETAIL
 Scale: NTS



3 INVERTER ELEVATION (FRONT VIEW)
 Scale: NTS



STONINGTON SOLAR

428, PROVIDENCE-NEW LONDON TURNPIKE
NORTH STONINGTON, CT 06359, USA

LAT: 41.431830°N
LON: 71.821514°W

SYSTEM SPECIFICATIONS	
SYSTEM SIZE AC	8,350.00 kW
SYSTEM SIZE DC	12,060.00 kW
DC/AC RATIO	1.44
MODULE MODEL	HANWHA Q CELLS Q.PEAK DUO XL-G10.3/BFG 480W
MODULE RATING	480 W
TOTAL MODULE QTY	25,125
MODULES PER STRING	25
TOTAL NO. OF STRINGS	1,005
INVERTER MODEL	SUNGROW SG125HX
INVERTER RATING	125 kW
INVERTER QTY	38

- GENERAL NOTES**
- AC MV CIRCUITS SHALL BE INSTALLED AND INTERCONNECTED WITH UTILITY, PER UTILITY SPECIFICATIONS.
 - ALL ELECTRICAL WORK SHALL BE IN ACCORDANCE WITH THE 2017 EDITION OF NATIONAL ELECTRIC CODE.
 - ALL DC AND AC EQUIPMENT, WHERE APPLICABLE, SHALL BE LISTED AND LABELED PER RECOGNIZED ELECTRICAL TESTING LABORATORY AND INSTALLED PER THE LISTING REQUIREMENTS, THE MANUFACTURER'S INSTRUCTIONS AND IN ACCORDANCE WITH NEC.
 - RECLOSER CONTROL SETTINGS TO BE COORDINATED WITH UTILITY AND CONTRACTOR.

REV. NO	DESCRIPTION	DATE
0	PRELIMINARY	11/16/21

SHEET TITLE:
SINGLE LINE DIAGRAM

PROJ. MGR.	PROJ. ENGR. SDE	DATE:
DRAWN BY: LR	CHECKED BY:	11/16/21
DRAWING NO.	SCALE: AS SHOWN	

E-100

1 STONINGTON SOLAR SINGLE LINE DIAGRAM