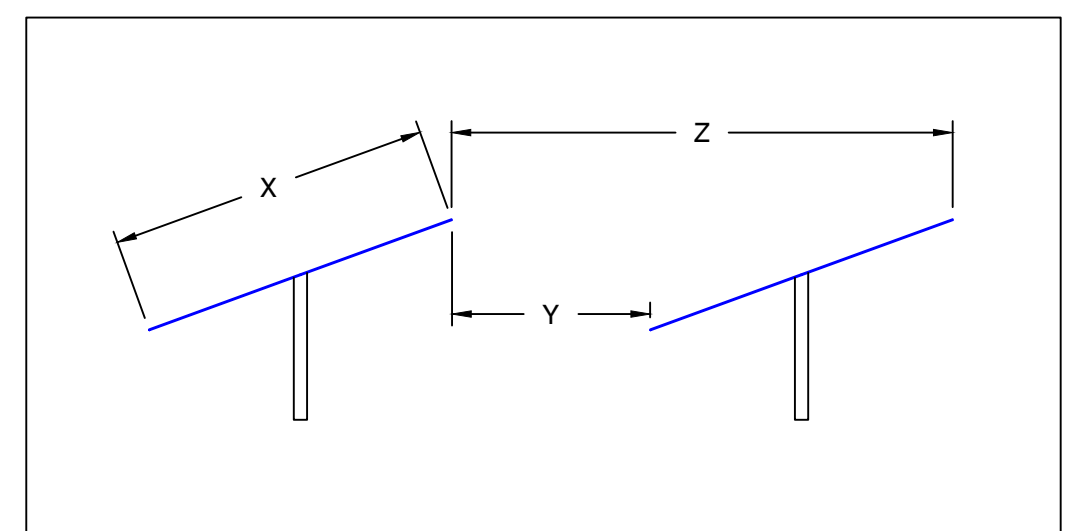


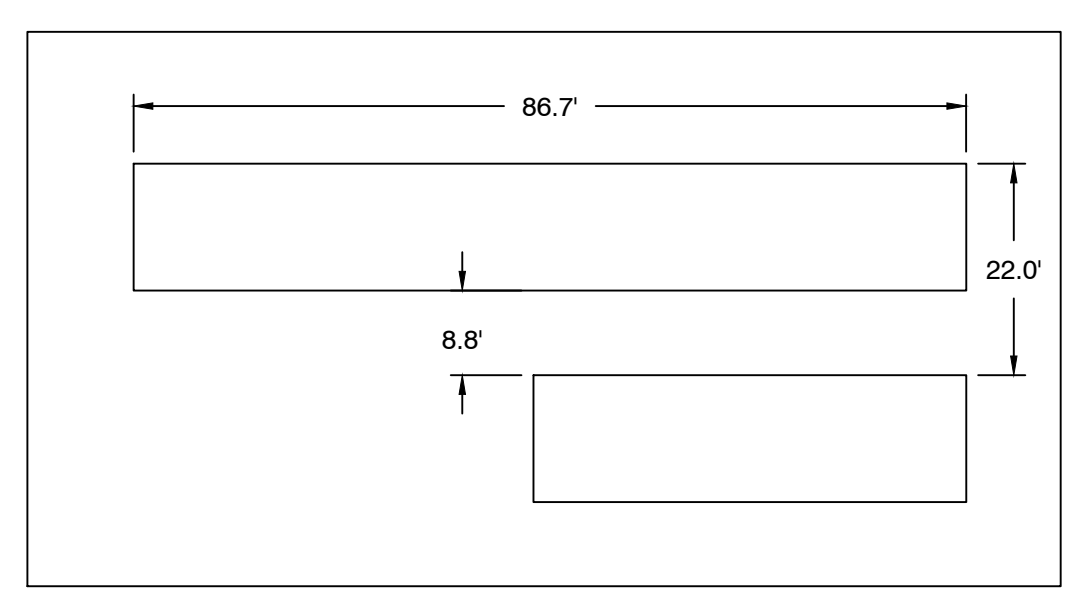
PROJECT DETAILS	
SYSTEM SIZE AC	19,800.00 KW
SYSTEM SIZE DC	24,367.50 KW
DC/AC RATIO	1.23
MODULE MODEL	HANWHA Q CELLS Q.PEAK DUO XL-G10.3/BFG 475W
MODULE RATING	475 W
TOTAL MODULE QTY	51,300
# OF MODULES PER STRINGS	25
TOTAL # OF STRINGS	2,052
INVERTER MODEL	SUNGROW SG250HX
INVERTER RATING	250 KW
TOTAL INVERTER QTY	90
RACKING	GROUND MOUNT FIXED TILT
TILT ANGLE	25°
AZIMUTH	180°
PITCH	22.03'
INTER ROW SPACING	8.81'
GCR	60%
FENCED AREA	70.42 ACRES
PROPERTY AREA	211.70 ACRES
AVERAGE DISTANCE BETWEEN FENCE AND MODULE	15'
MINIMUM DISTANCE BETWEEN FENCE AND MODULE	4.5'
AVERAGE DISTANCE BETWEEN WETLANDS AND MODULE	100'
MINIMUM DISTANCE BETWEEN WETLANDS AND MODULE	50'

LEGEND	
	2P X 25 HANWHA Q-CELLS 475W @25° TILT
	2P X 13 HANWHA Q-CELLS 475W @25° TILT
	EQUIPMENT RACK (TYP. OF 8) (1) LV SWITCHGEAR & (1) MV TRANSFORMER
	SUNGROW 250KW STRING INVERTER
	EQUIPMENT RACK WITH 1 STRING INVERTER
	EQUIPMENT RACK WITH 3 STRING INVERTERS
	EQUIPMENT RACK WITH 4 STRING INVERTERS
	WETLANDS
	UNDERGROUND AC CABLE
	UNDERGROUND MEDIUM VOLTAGE CABLE
	OVERHEAD ELECTRICAL LINES
	PERMANENT FENCE LINE
	TEMPORARY FENCE LINE
	LIMIT OF DISTURBANCE
	STORMWATER BASIN
	16FT ACCESS ROADS
	12FT ACCESS ROADS
	TEMPORARY LAYDOWN AREA (TO BE RESTORED FOLLOWING COMPLETION OF CONSTRUCTION ACTIVITIES)
	25' WETLAND BUFFER
	100' WETLAND SETBACK
	100' GULF STREAM BUFFER
	WETLAND ID
	LANDSCAPING



GCR TABLE			
	FEET	METER	
X	14.58	4.44	MODULE WIDTH
Y	8.81	2.69	AISLE WIDTH
Z	22.03	6.72	PITCH
GCR PER PVSYST	66%		X/Z
ACTUAL GCR	60.0%		(Z-Y)/Z

**3 GCR DETAILS**  
Scale: NTS



**2 TYP. MODULE RACKS**  
Scale: 1"=20'

**SOLVIDA**  
DESIGN + ENGINEERING  
1641 Kains Avenue, Berkeley, California 94702

**SILICON RANCH**

**MILLER BROS.**

**LITCHFIELD SOLAR**  
2-298 ROSSI RD  
TORRINGTON, CT 06790, USA.  
LAT: 41.794157°N  
LON: 73.168028°W

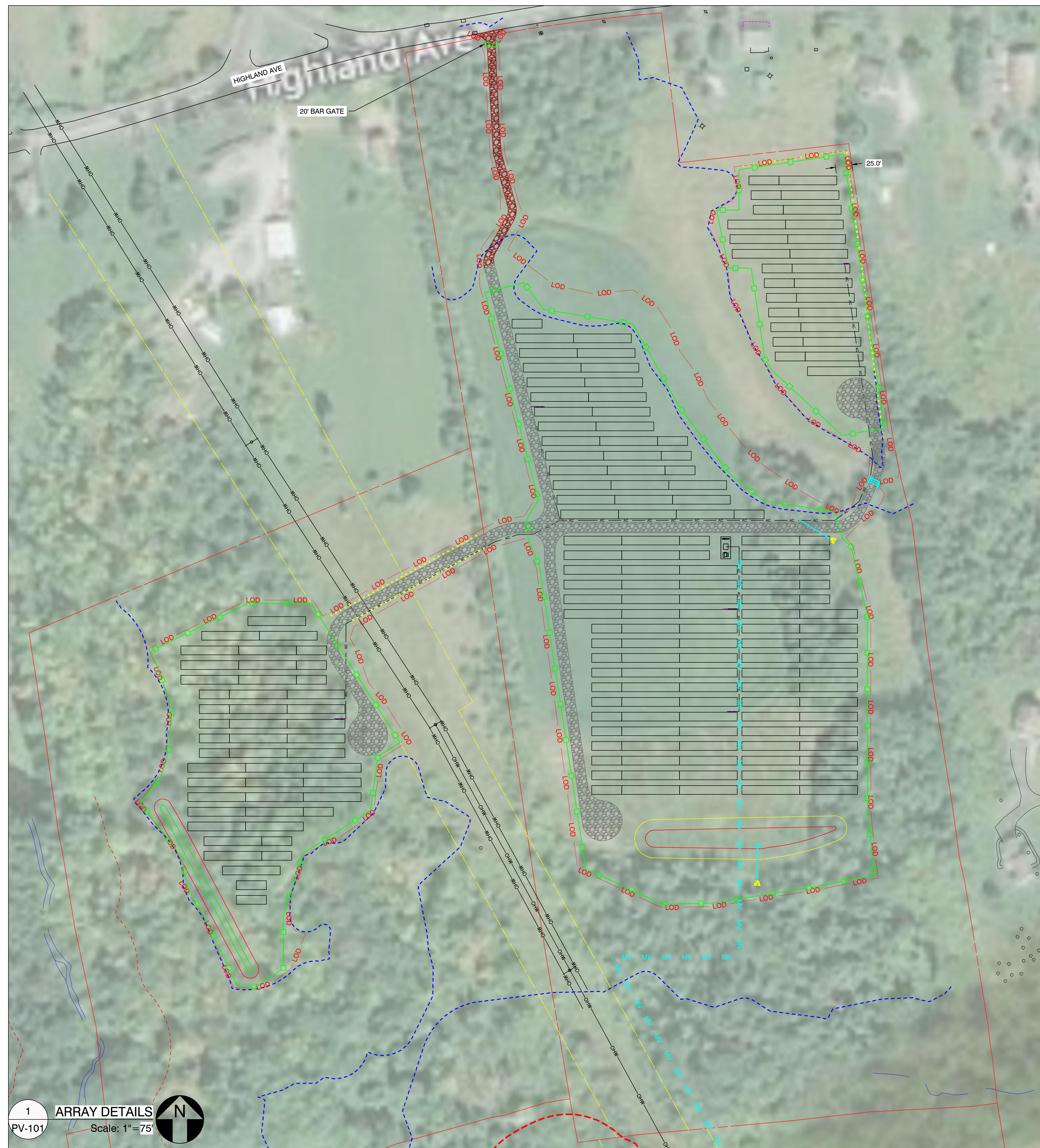
REV. NO	DESCRIPTION	DATE
0	PRELIMINARY	05/03/21

SHEET TITLE:  
**PRELIMINARY LAYOUT**

PROJ. MGR.	PROJ. ENGR. SDE	DATE: 05/03/21
DRAWN BY: LR	CHECKED BY:	SCALE: AS SHOWN
DRAWING NO.		

**PV-100**

**1 ARRAY PLAN**  
PV-100 Scale: 1"=250'



LEGEND	
	2P X 25 HANWHA Q-CELLS 475W @25° TILT
	2P X 13 HANWHA Q-CELLS 475W @25° TILT
	EQUIPMENT RACK (1) LV SWITCHGEAR & (1) MV TRANSFORMER
	SUNGROW 250kW STRING INVERTER (TYP. OF 90)
	EQUIPMENT RACK WITH 1 STRING INVERTER (TYP. OF 3 LOCATIONS)
	EQUIPMENT RACK WITH 3 STRING INVERTERS (TYP. OF 17 LOCATIONS)
	EQUIPMENT RACK WITH 4 STRING INVERTERS (TYP. OF 9 LOCATIONS)
	WETLANDS
	UNDERGROUND AC CABLE
	UNDERGROUND MEDIUM VOLTAGE CABLE
	OVERHEAD ELECTRICAL LINES
	PERMANENT FENCE LINE
	LIMIT OF DISTURBANCE
	STORMWATER BASIN
	16FT ACCESS ROADS
	12FT ACCESS ROADS
	TEMPORARY LAYDOWN AREA (TO BE RESTORED FOLLOWING COMPLETION OF CONSTRUCTION ACTIVITIES)
	25' WETLAND BUFFER
	WETLAND SETBACK
	100' GULF STREAM BUFFER
	LANDSCAPING

**SOLVIDA**  
DESIGN + ENGINEERING  
1641 Kains Avenue, Berkeley, California 94702

**SILICON RANCH**

**MILLER BROS.**

**LITCHFIELD SOLAR**

2-298 ROSSI RD  
TORRINGTON, CT 06790, USA.  
LAT: 41.794157°N  
LON: 73.168028°W

REV. NO	DESCRIPTION	DATE
0	PRELIMINARY	05/03/21

SHEET TITLE:  
**ARRAY DETAILS**

PROJ. MGR.	PROJ. ENGR. SDE	DATE:
DRAWN BY: LR	CHECKED BY:	05/03/21
DRAWING NO.	SCALE:	AS SHOWN

**PV-101**



LEGEND	
	2P X 25 HANWHA Q-CELLS 475W @25° TILT
	2P X 13 HANWHA Q-CELLS 475W @25° TILT
	EQUIPMENT RACK (1) LV SWITCHGEAR & (1) MV TRANSFORMER
	SUNGROW 250kW STRING INVERTER (TYP. OF 90)
	EQUIPMENT RACK WITH 1 STRING INVERTER (TYP. OF 3 LOCATIONS)
	EQUIPMENT RACK WITH 3 STRING INVERTERS (TYP. OF 17 LOCATIONS)
	EQUIPMENT RACK WITH 4 STRING INVERTERS (TYP. OF 9 LOCATIONS)
	WETLANDS
	UNDERGROUND AC CABLE
	UNDERGROUND MEDIUM VOLTAGE CABLE
	OVERHEAD ELECTRICAL LINES
	PERMANENT FENCE LINE
	LIMIT OF DISTURBANCE
	STORMWATER BASIN
	16FT ACCESS ROADS
	12FT ACCESS ROADS
	TEMPORARY LAYDOWN AREA (TO BE RESTORED FOLLOWING COMPLETION OF CONSTRUCTION ACTIVITIES)
	25' WETLAND BUFFER
	WETLAND SETBACK
	100' GULF STREAM BUFFER
	LANDSCAPING

**SOLVIDA**  
DESIGN + ENGINEERING  
1641 Kains Avenue, Berkeley, California 94702

**SILICON RANCH**

**MILLER BROS.**

**LITCHFIELD SOLAR**

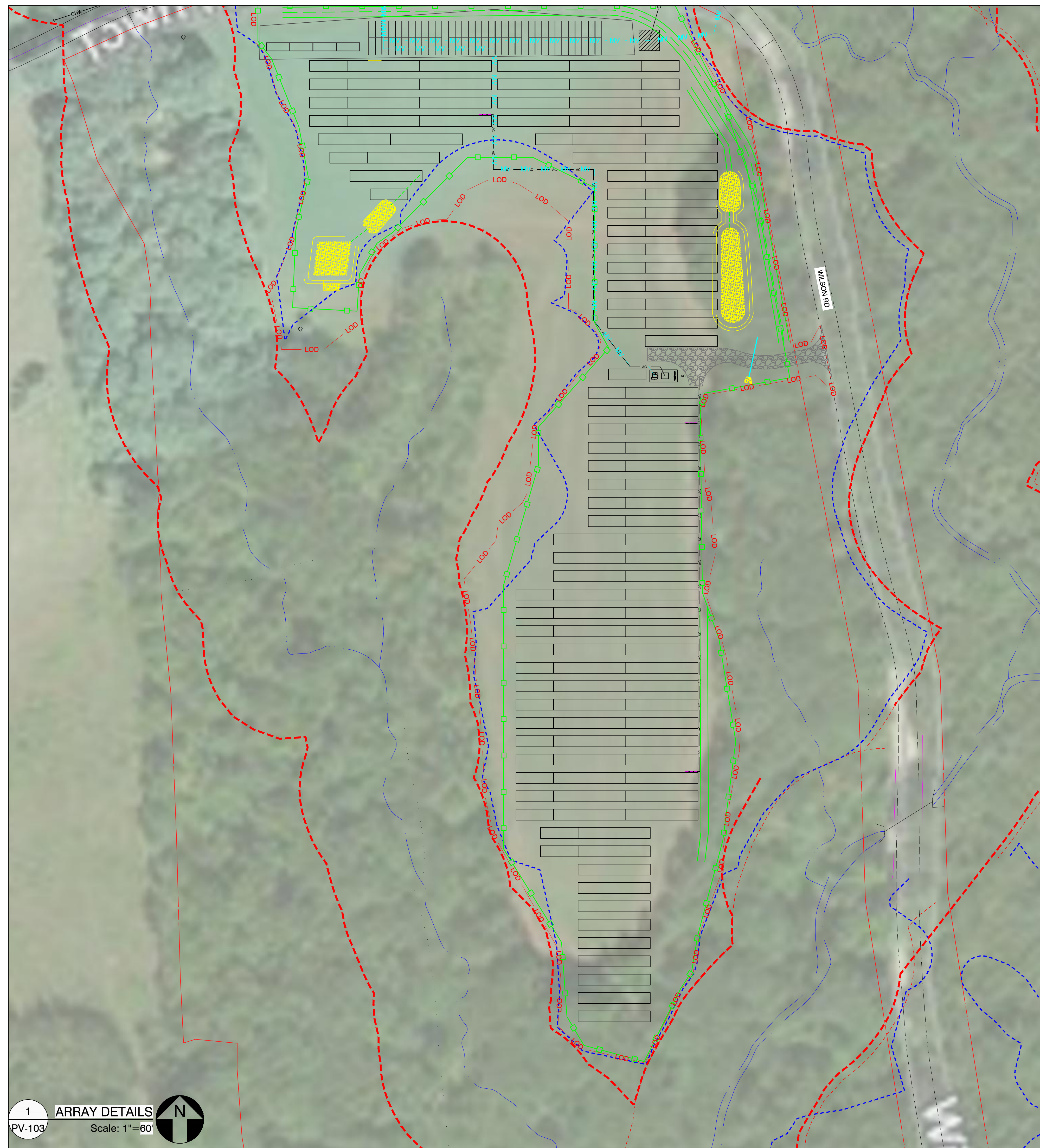
2-298 ROSSI RD  
TORRINGTON, CT 06790, USA.  
LAT: 41.794157°N  
LON: 73.168028°W

REV. NO	DESCRIPTION	DATE
0	PRELIMINARY	05/03/21

SHEET TITLE:  
**ARRAY DETAILS**

PROJ. MGR.	PROJ. ENGR. SDE	DATE:
		05/03/21
DRAWN BY: LR	CHECKED BY:	SCALE: AS SHOWN
DRAWING NO.		

**PV-102**



LEGEND	
	2P X 25 HANWHA Q-CELLS 475W @25° TILT
	2P X 13 HANWHA Q-CELLS 475W @25° TILT
	EQUIPMENT RACK (1) LV SWITCHGEAR & (1) MV TRANSFORMER
	SUNGROW 250KW STRING INVERTER (TYP. OF 90)
	EQUIPMENT RACK WITH 1 STRING INVERTER (TYP. OF 3 LOCATIONS)
	EQUIPMENT RACK WITH 3 STRING INVERTERS (TYP. OF 17 LOCATIONS)
	EQUIPMENT RACK WITH 4 STRING INVERTERS (TYP. OF 9 LOCATIONS)
	WETLANDS
	UNDERGROUND AC CABLE
	UNDERGROUND MEDIUM VOLTAGE CABLE
	OVERHEAD ELECTRICAL LINES
	PERMANENT FENCE LINE
	LIMIT OF DISTURBANCE
	STORMWATER BASIN
	16FT ACCESS ROADS
	12FT ACCESS ROADS
	TEMPORARY LAYDOWN AREA (TO BE RESTORED FOLLOWING COMPLETION OF CONSTRUCTION ACTIVITIES)
	25' WETLAND BUFFER
	WETLAND SETBACK
	100' GULF STREAM BUFFER
	LANDSCAPING

**SOLVIDA**  
DESIGN + ENGINEERING  
1641 Kains Avenue, Berkeley, California 94702

**SILICON RANCH**

**MILLER BROS.**

**LITCHFIELD SOLAR**

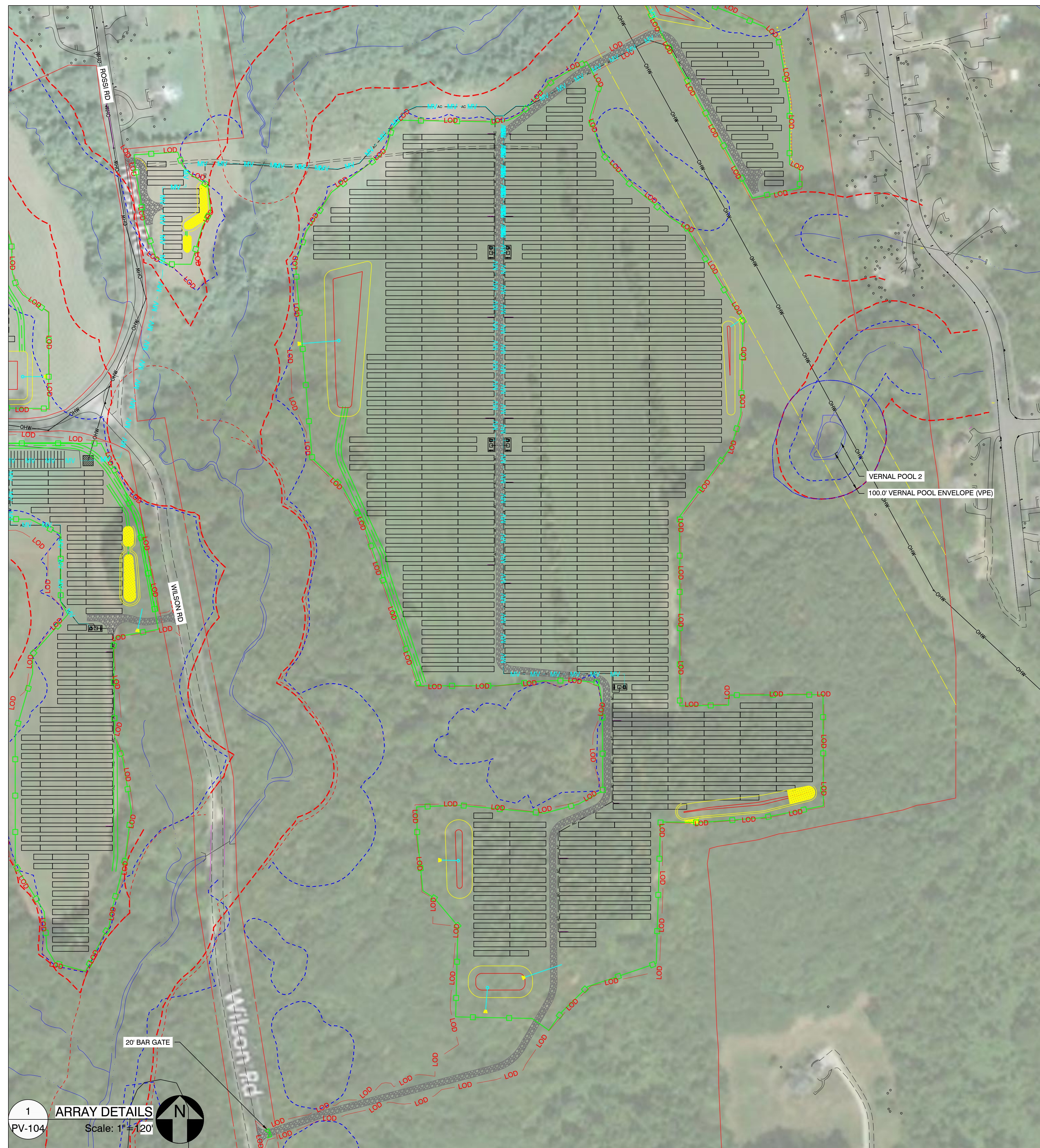
2-298 ROSSI RD  
TORRINGTON, CT 06790, USA.  
LAT: 41.794157°N  
LON: 73.168028°W

REV. NO	DESCRIPTION	DATE
0	PRELIMINARY	05/03/21

SHEET TITLE:  
**ARRAY DETAILS**

PROJ. MGR.	PROJ. ENGR. SDE	DATE: 05/03/21
DRAWN BY: LR	CHECKED BY:	SCALE: AS SHOWN

DRAWING NO.  
**PV-103**



LEGEND	
	2P X 25 HANWHA Q-CELLS 475W @25° TILT
	2P X 13 HANWHA Q-CELLS 475W @25° TILT
	EQUIPMENT RACK (1) LV SWITCHGEAR & (1) MV TRANSFORMER
	SUNGROW 250kW STRING INVERTER (TYP. OF 90)
	EQUIPMENT RACK WITH 1 STRING INVERTER (TYP. OF 3 LOCATIONS)
	EQUIPMENT RACK WITH 3 STRING INVERTERS (TYP. OF 17 LOCATIONS)
	EQUIPMENT RACK WITH 4 STRING INVERTERS (TYP. OF 9 LOCATIONS)
	WETLANDS
	UNDERGROUND AC CABLE
	UNDERGROUND MEDIUM VOLTAGE CABLE
	OVERHEAD ELECTRICAL LINES
	PERMANENT FENCE LINE
	LIMIT OF DISTURBANCE
	STORMWATER BASIN
	16FT ACCESS ROADS
	12FT ACCESS ROADS
	TEMPORARY LAYDOWN AREA (TO BE RESTORED FOLLOWING COMPLETION OF CONSTRUCTION ACTIVITIES)
	25' WETLAND BUFFER
	WETLAND SETBACK
	100' GULF STREAM BUFFER
	LANDSCAPING

**SOLVIDA**  
DESIGN + ENGINEERING  
1641 Kains Avenue, Berkeley, California 94702

**SILICON RANCH**

**MILLER BROS.**

**LITCHFIELD SOLAR**

2-298 ROSSI RD  
TORRINGTON, CT 06790, USA.  
LAT: 41.794157°N  
LON: 73.168028°W

REV. NO	DESCRIPTION	DATE
0	PRELIMINARY	05/03/21

SHEET TITLE:  
**ARRAY DETAILS**

PROJ. MGR.	PROJ. ENGR. SDE	DATE:
DRAWN BY: LR	CHECKED BY:	05/03/21
DRAWING NO.	SCALE:	AS SHOWN

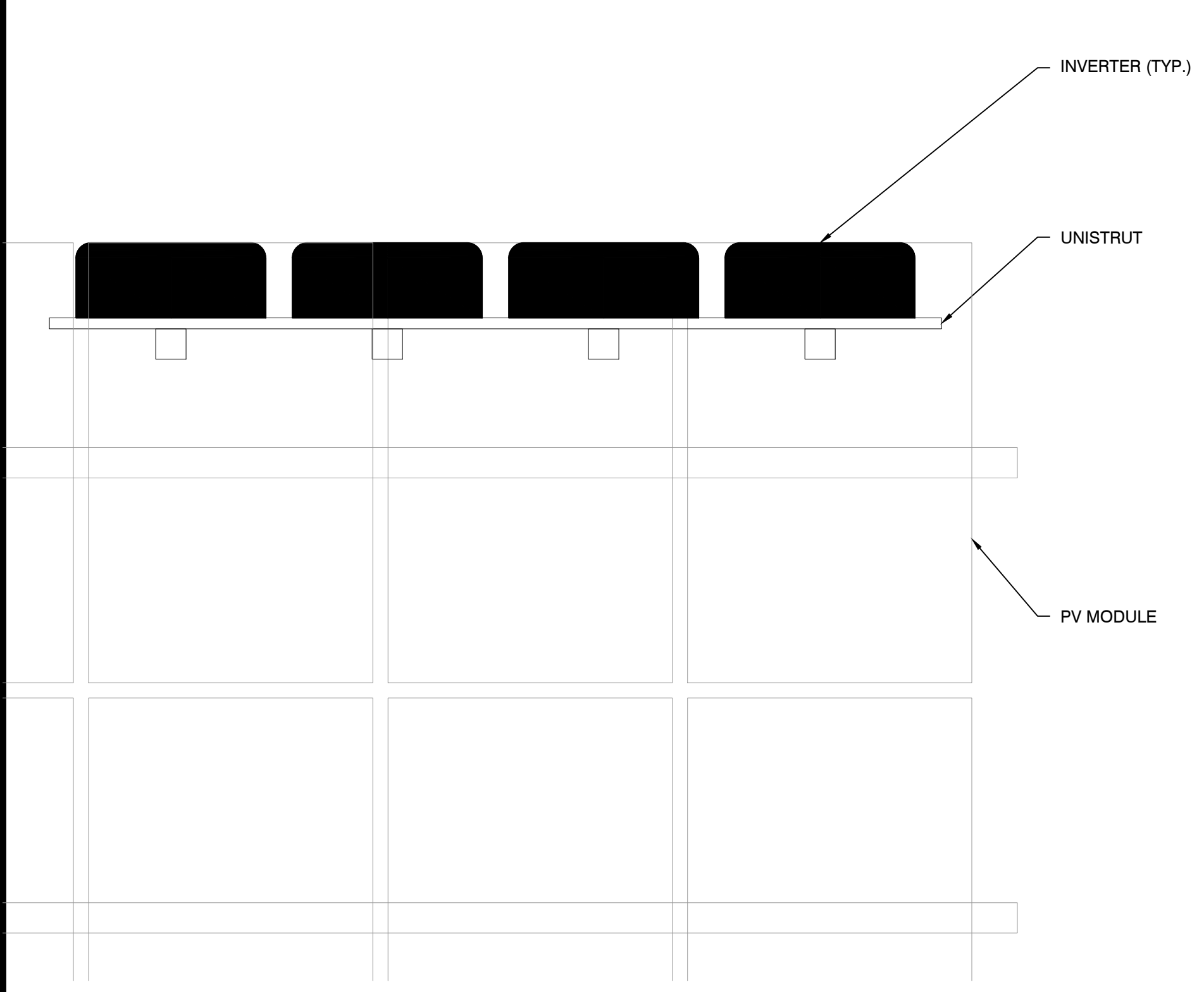
**PV-104**

0	PRELIMINARY	05/03/21
REV. NO	DESCRIPTION	DATE

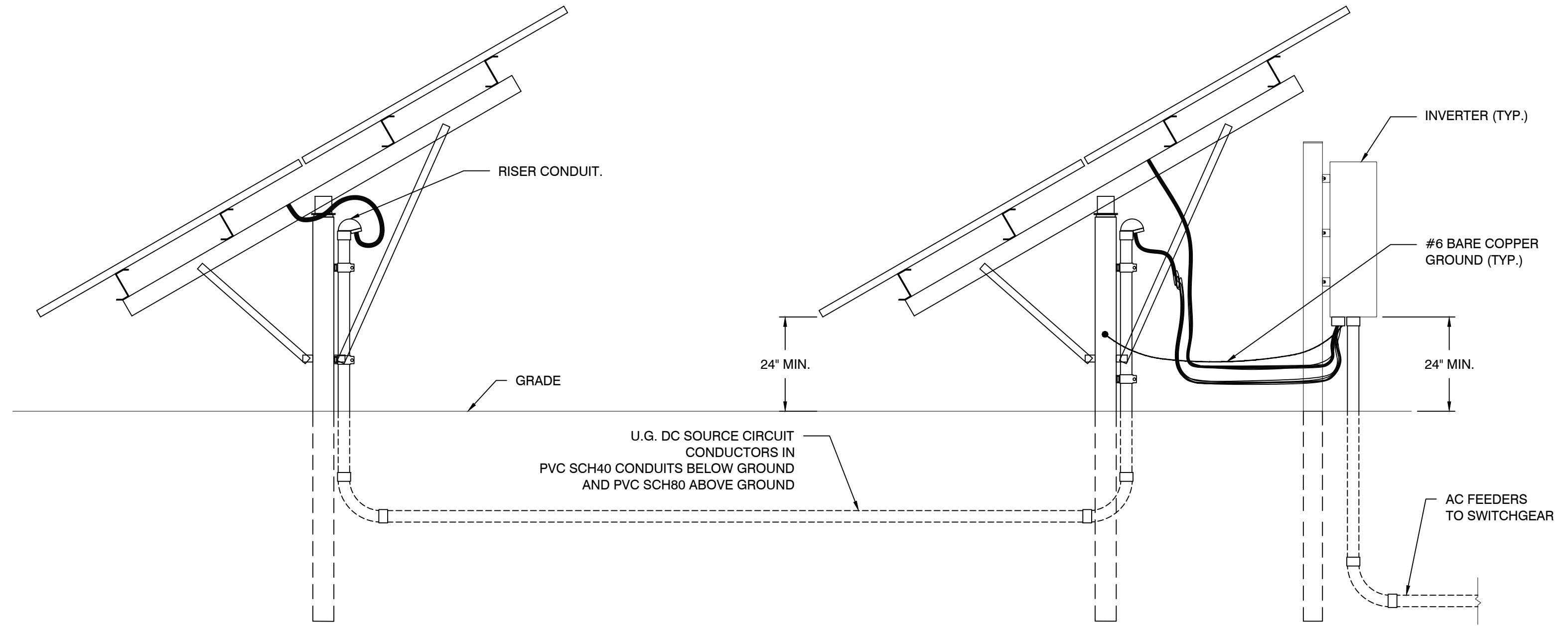
SHEET TITLE:  
**INVERTER ELEVATION DETAILS**

PROJ. MGR.	PROJ. ENGR. SDE	DATE: 05/03/21
DRAWN BY: LR	CHECKED BY:	SCALE: AS SHOWN
DRAWING NO.		

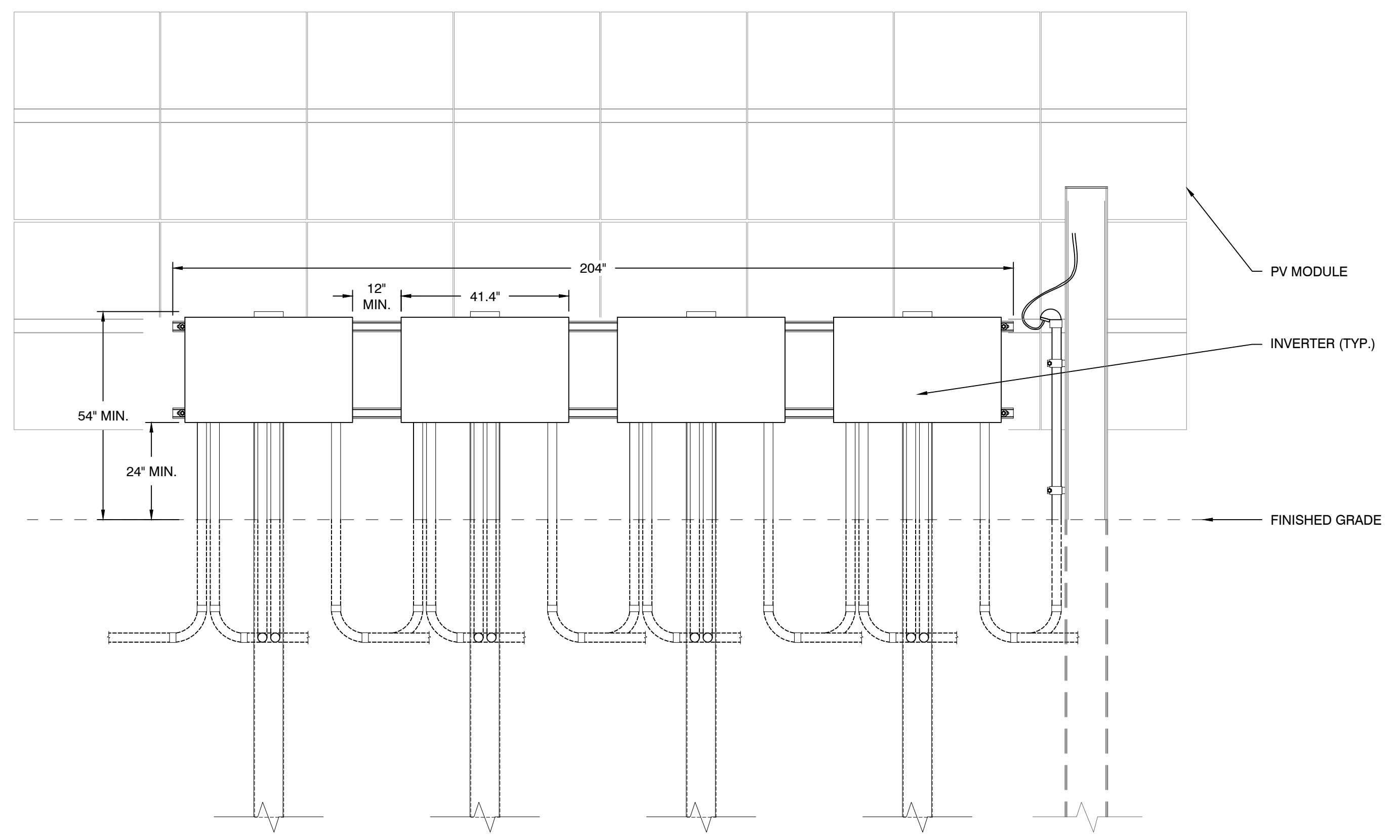
**PV-105**



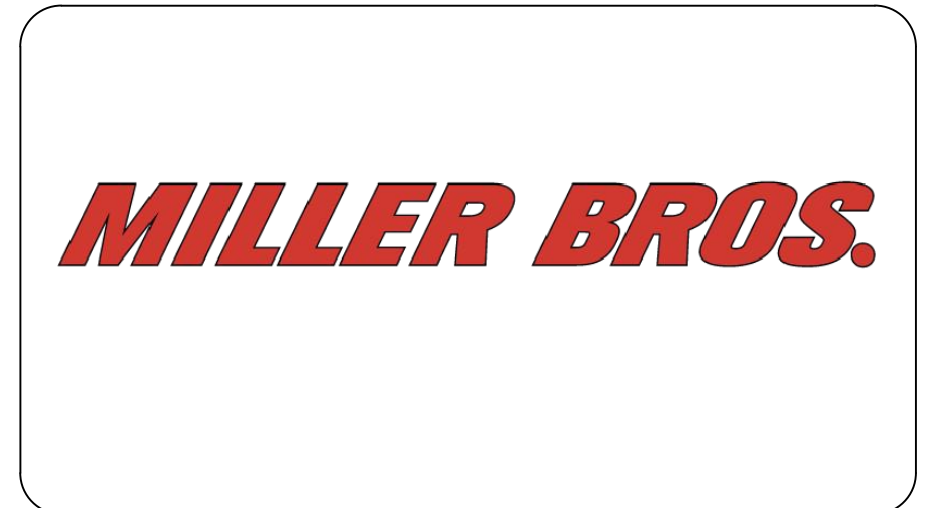
1 INVERTER MOUNTING (PLAN VIEW)  
Scale: NTS



2 INVERTER ELEVATION (SIDE VIEW) AND DC SOURCE CIRCUIT (JUMPER) TRENCH DETAIL  
Scale: NTS



3 INVERTER ELEVATION (FRONT VIEW)  
Scale: NTS



**LITCHFIELD SOLAR**

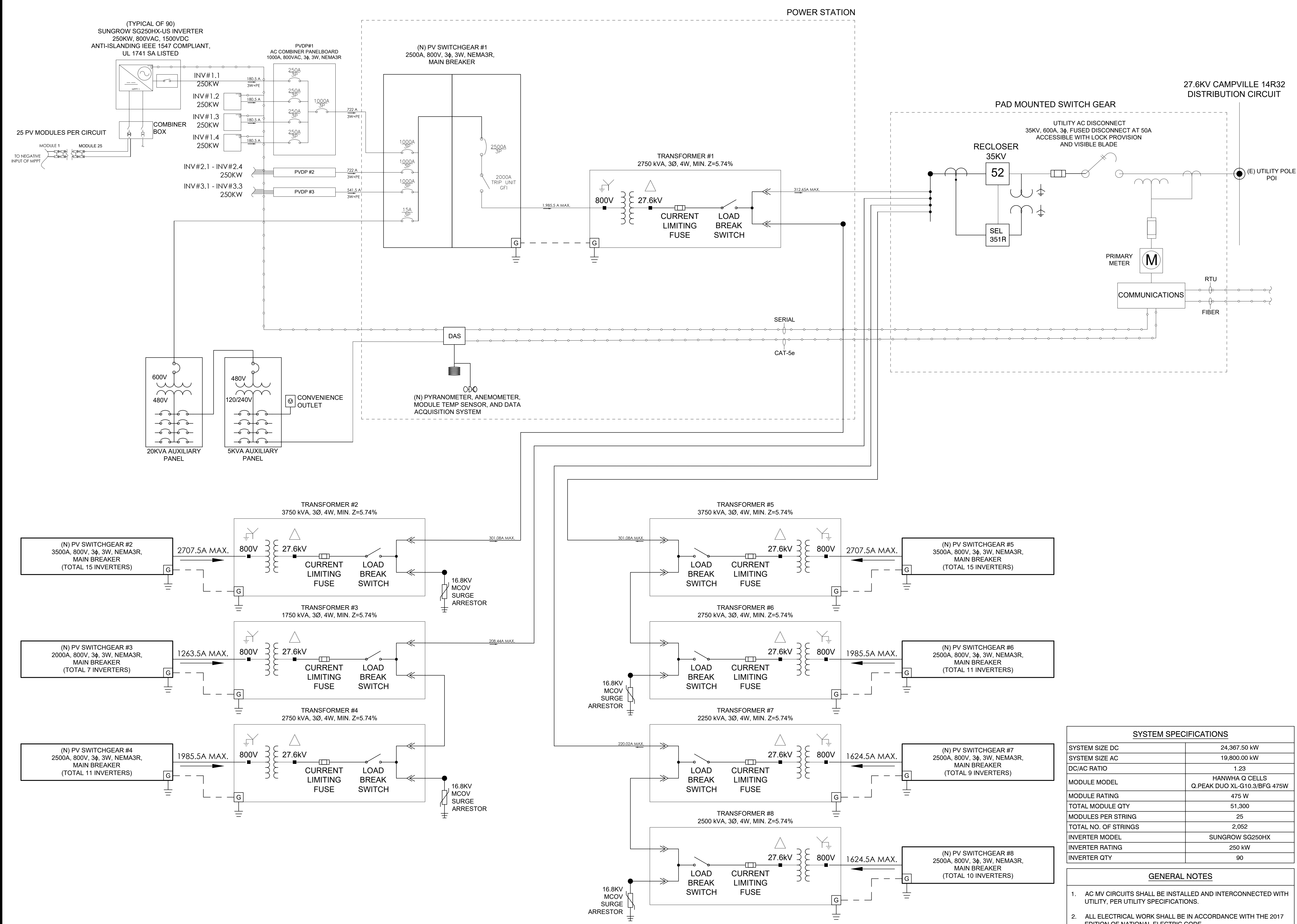
2-298 ROSSI RD  
TORRINGTON, CT 06790, USA.  
LAT: 41.794157°N  
LON: 73.168028°W

0	PRELIMINARY	05/03/21
REV. NO	DESCRIPTION	DATE

SHEET TITLE:  
**SINGLE LINE DIAGRAM**

PROJ. MGR.	PROJ. ENGR. SDE	DATE:
DRAWN BY: LR	CHECKED BY:	SCALE: AS SHOWN
DRAWING NO.		

**E-100**



SYSTEM SPECIFICATIONS	
SYSTEM SIZE DC	24,367.50 kW
SYSTEM SIZE AC	19,800.00 kW
DC/AC RATIO	1.23
MODULE MODEL	HANWHA Q CELLS Q.PEAK DUO XL-G10.3/BFG 475W
MODULE RATING	475 W
TOTAL MODULE QTY	51,300
MODULES PER STRING	25
TOTAL NO. OF STRINGS	2,052
INVERTER MODEL	SUNGROW SG250HX
INVERTER RATING	250 kW
INVERTER QTY	90

- GENERAL NOTES**
- AC MV CIRCUITS SHALL BE INSTALLED AND INTERCONNECTED WITH UTILITY, PER UTILITY SPECIFICATIONS.
  - ALL ELECTRICAL WORK SHALL BE IN ACCORDANCE WITH THE 2017 EDITION OF NATIONAL ELECTRIC CODE.
  - ALL DC AND AC EQUIPMENT, WHERE APPLICABLE, SHALL BE LISTED AND LABELED PER RECOGNIZED ELECTRICAL TESTING LABORATORY AND INSTALLED PER THE LISTING REQUIREMENTS. THE MANUFACTURER'S INSTRUCTIONS AND IN ACCORDANCE WITH NEC.
  - RECLOSER CONTROL SETTINGS TO BE COORDINATED WITH UTILITY AND CONTRACTOR.

**1 LITCHFIELD SOLAR SINGLE LINE DIAGRAM**