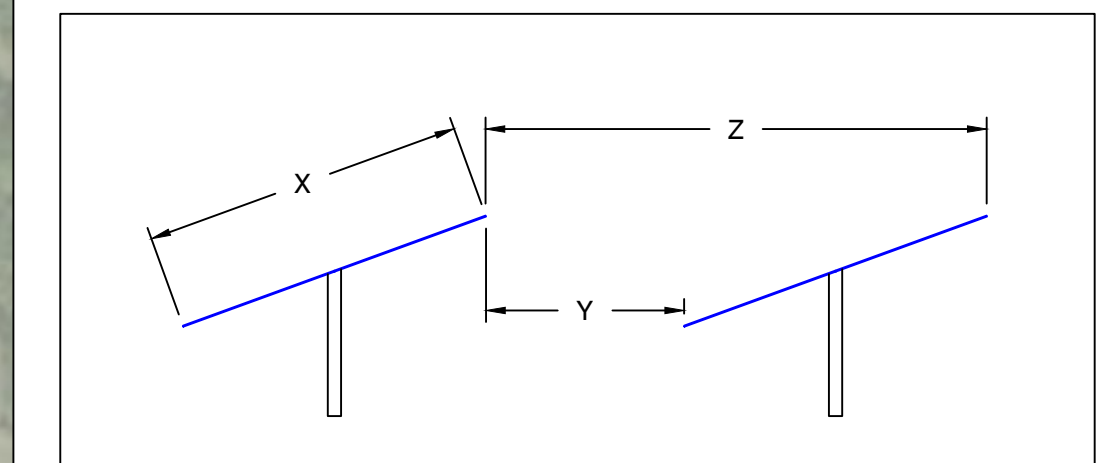


PROJECT DETAILS	
SYSTEM SIZE AC	19,800.00 kW
SYSTEM SIZE DC	24,624.00 kW
DC/AC RATIO	1.24
MODULE MODEL	HANWHA Q CELLS Q.PEAK DUO XL-G10.3/BFG 480W
MODULE RATING	480 W
TOTAL MODULE QTY	51,300
# OF MODULES PER STRINGS	25
TOTAL # OF STRINGS	2,052
INVERTER MODEL	SUNGROW SG125HV
INVERTER RATING	125 kW
TOTAL INVERTER QTY	180
RACKING	GROUND MOUNT FIXED TILT
TILT ANGLE	25°
AZIMUTH	180°
PITCH	22.03'
INTER ROW SPACING	8.81'
GCR	60%
FENCED AREA	70.42 ACRES
PROPERTY AREA	211.70 ACRES
AVERAGE DISTANCE BETWEEN FENCE AND MODULE	15'
MINIMUM DISTANCE BETWEEN FENCE AND MODULE	4.5'
AVERAGE DISTANCE BETWEEN WETLANDS AND MODULE	100'
MINIMUM DISTANCE BETWEEN WETLANDS AND MODULE	50'

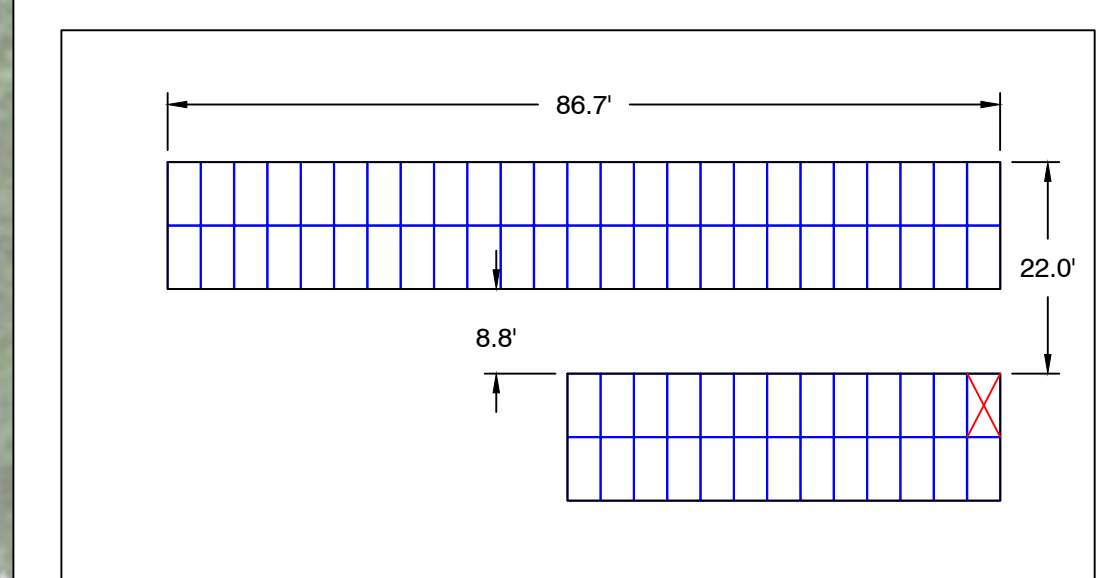
SPECS TABLE			
XFMR	DC (kW)	AC (kW)	DC:AC
TX1	4,212.00	3,875.00	1.0870
TX2	3,288.00	3,000.00	1.0960
TX3	3,312.00	3,000.00	1.1040
TX4	2,604.00	2,375.00	1.0964
TX5	2,604.00	2,375.00	1.0964
TX6	3,288.00	3,000.00	1.0960
TX7	2,568.00	2,375.00	1.0813
TX8	2,748.00	2,500.00	1.0992

LEGEND	
	2P X 25 HANWHA Q-CELLS 480W @25° TILT
	2P X 13 HANWHA Q-CELLS 480W @25° TILT
	EQUIPMENT RACK (TYP. OF 8) (1) LV SWITCHGEAR & (1) MV TRANSFORMER
	SUNGROW 125kW STRING INVERTER
	EQUIPMENT RACK WITH 3 STRING INVERTERS
	EQUIPMENT RACK WITH 4 STRING INVERTERS
	WETLANDS
	UNDERGROUND AC CABLE
	OVERHEAD AC CABLE
	UNDERGROUND MEDIUM VOLTAGE CABLE
	OVERHEAD MEDIUM VOLTAGE CABLE
	(E) OVERHEAD ELECTRICAL LINES
	PERMANENT FENCE LINE
	TEMPORARY FENCE LINE
	LIMIT OF DISTURBANCE
	STORMWATER BASIN
	16FT ACCESS ROADS
	12FT ACCESS ROADS
	TEMPORARY LAYDOWN AREA (TO BE RESTORED FOLLOWING COMPLETION OF CONSTRUCTION ACTIVITIES)
	25' WETLAND BUFFER
	100' WETLAND SETBACK
	100' GULF STREAM BUFFER
	WETLAND ID
	LANDSCAPING
	PROPERTY BOUNDARY



GCR TABLE			
	FEET	METER	MODULE WIDTH
X	14.58	4.44	MODULE WIDTH
Y	8.81	2.69	aisle WIDTH
Z	22.03	6.72	PITCH
GCR PER PVSYST	66%		X/Z
ACTUAL GCR	60.0%		(Z-Y)/Z

3 GCR DETAILS Scale: NTS



2 TYP. MODULE RACKS Scale: 1"=20'

SOLVIDA
DESIGN + ENGINEERING
1641 Kains Avenue, Berkeley, California 94702

SILICON RANCH

MILLER BROS.

LITCHFIELD SOLAR
2-298 ROSSI RD
TORRINGTON, CT 06790, USA.
LAT: 41.794157°N
LON: 73.168028°W

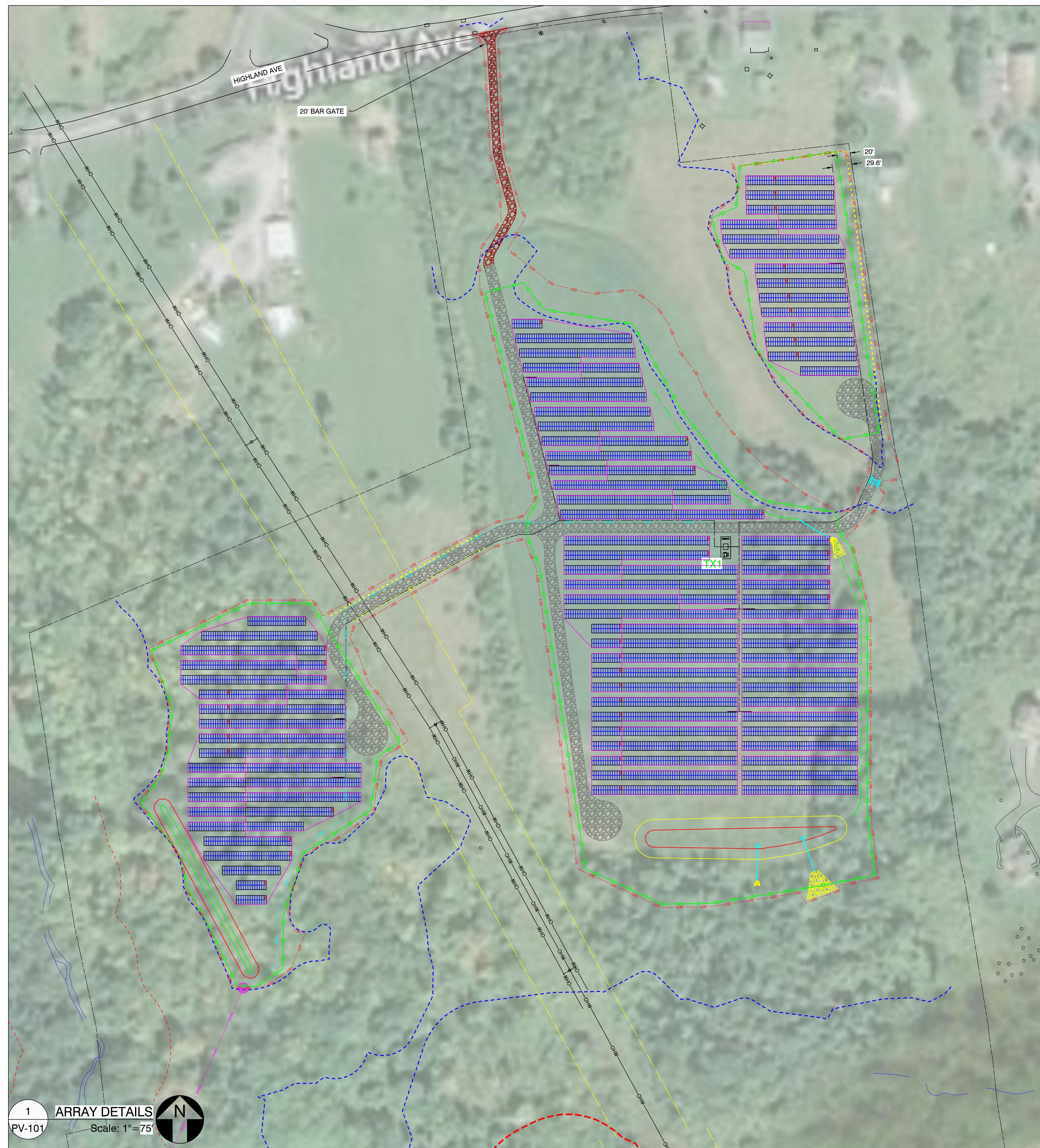
REV. NO	PROPOSED DESCRIPTION	DATE
0	PROPOSED	01/04/22

SHEET TITLE:
PROPOSED LAYOUT

PROJ. MGR.	PROJ. ENGR. SDE	DATE: 01/04/22
DRAWN BY: LR	CHECKED BY:	SCALE: AS SHOWN
DRAWING NO.		

PV-100

1 ARRAY PLAN Scale: 1"=250'



LEGEND	
	2P X 25 HANWHA Q-CELLS 480W @25° TILT
	2P X 13 HANWHA Q-CELLS 480W @25° TILT
	EQUIPMENT RACK (TYP. OF 8) (1) LV SWITCHGEAR & (1) MV TRANSFORMER
	SUNGROW 125kW STRING INVERTER
	EQUIPMENT RACK WITH 3 STRING INVERTERS
	EQUIPMENT RACK WITH 4 STRING INVERTERS
	WETLANDS
	UNDERGROUND AC CABLE
	OVERHEAD AC CABLE
	UNDERGROUND MEDIUM VOLTAGE CABLE
	OVERHEAD MEDIUM VOLTAGE CABLE
	OVERHEAD ELECTRICAL LINES
	PERMANENT FENCE LINE
	TEMPORARY FENCE LINE
	LIMIT OF DISTURBANCE
	STORMWATER BASIN
	16FT ACCESS ROADS
	12FT ACCESS ROADS
	TEMPORARY LAYDOWN AREA (TO BE RESTORED FOLLOWING COMPLETION OF CONSTRUCTION ACTIVITIES)
	25' WETLAND BUFFER
	100' WETLAND SETBACK
	100' GULF STREAM BUFFER
	2A WETLAND ID
	LANDSCAPING
	PROPERTY BOUNDARY

SOLVIDA
DESIGN + ENGINEERING
1641 Kains Avenue, Berkeley, California 94702

SILICON RANCH

MILLER BROS.

LITCHFIELD SOLAR

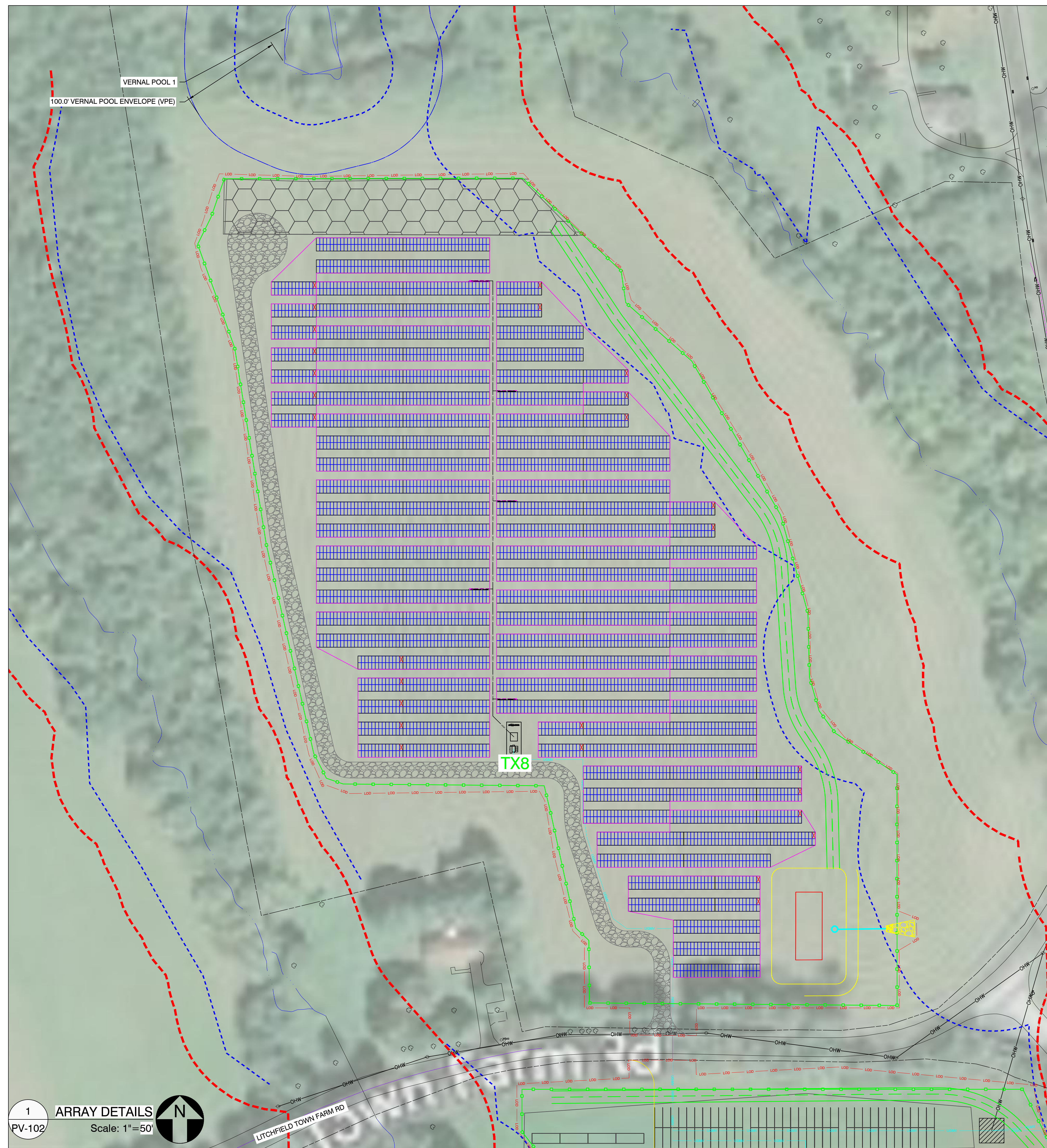
2-298 ROSSI RD
TORRINGTON, CT 06790, USA.
LAT: 41.794157°N
LON: 73.168028°W

REV. NO	DESCRIPTION	DATE
0	PROPOSED	01/04/22

SHEET TITLE:
ARRAY DETAILS

PROJ. MGR.	PROJ. ENGR. SDE	DATE: 01/04/22
DRAWN BY: LR	CHECKED BY:	SCALE: AS SHOWN
DRAWING NO.		

PV-101



LEGEND	
	2P X 25 HANWHA Q-CELLS 480W @25° TILT
	2P X 13 HANWHA Q-CELLS 480W @25° TILT
	EQUIPMENT RACK (TYP. OF 8) (1) LV SWITCHGEAR & (1) MV TRANSFORMER
	SUNGROW 125KW STRING INVERTER
	EQUIPMENT RACK WITH 3 STRING INVERTERS
	EQUIPMENT RACK WITH 4 STRING INVERTERS
	WETLANDS
	UNDERGROUND AC CABLE
	OVERHEAD AC CABLE
	UNDERGROUND MEDIUM VOLTAGE CABLE
	OVERHEAD MEDIUM VOLTAGE CABLE
	OVERHEAD ELECTRICAL LINES
	PERMANENT FENCE LINE
	TEMPORARY FENCE LINE
	LIMIT OF DISTURBANCE
	STORMWATER BASIN
	16FT ACCESS ROADS
	12FT ACCESS ROADS
	TEMPORARY LAYDOWN AREA (TO BE RESTORED FOLLOWING COMPLETION OF CONSTRUCTION ACTIVITIES)
	25' WETLAND BUFFER
	100' WETLAND SETBACK
	100' GULF STREAM BUFFER
	2A WETLAND ID
	LANDSCAPING
	PROPERTY BOUNDARY

SOLVIDA
DESIGN + ENGINEERING
1641 Kains Avenue, Berkeley, California 94702

SILICON RANCH

MILLER BROS.

LITCHFIELD SOLAR

2-298 ROSSI RD
TORRINGTON, CT 06790, USA.
LAT: 41.794157°N
LON: 73.168028°W

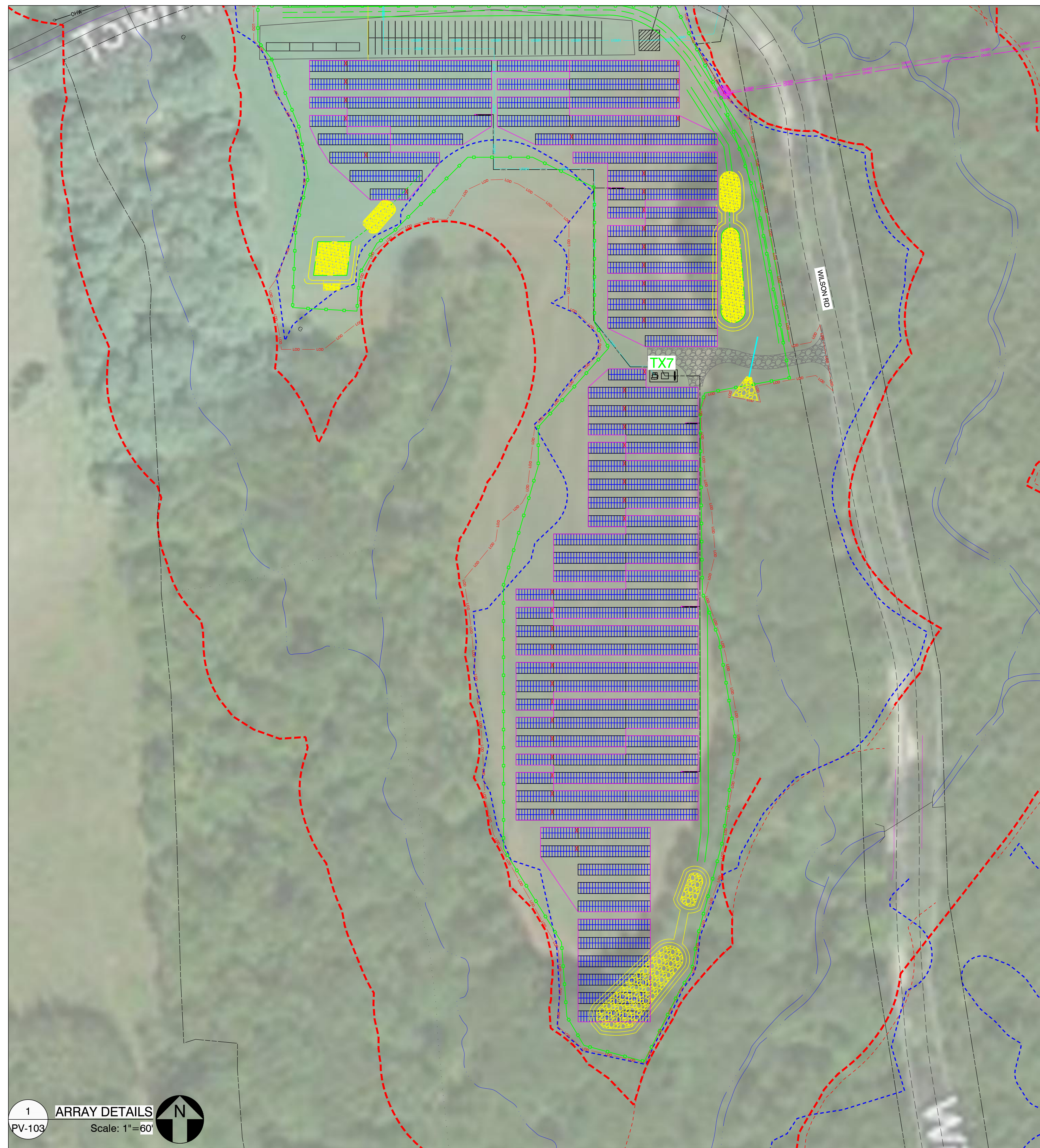
REV. NO	DESCRIPTION	DATE
0	PROPOSED	01/04/22

SHEET TITLE:
ARRAY DETAILS

PROJ. MGR.	PROJ. ENGR. SDE	DATE:
DRAWN BY: LR	CHECKED BY:	01/04/22
DRAWING NO.		SCALE: AS SHOWN

PV-102

1 ARRAY DETAILS
PV-102 Scale: 1"=50'



LEGEND	
	2P X 25 HANWHA Q-CELLS 480W @25° TILT
	2P X 13 HANWHA Q-CELLS 480W @25° TILT
	EQUIPMENT RACK (TYP. OF 8) (1) LV SWITCHGEAR & (1) MV TRANSFORMER
	SUNGROW 125kW STRING INVERTER
	EQUIPMENT RACK WITH 3 STRING INVERTERS
	EQUIPMENT RACK WITH 4 STRING INVERTERS
	WETLANDS
	UNDERGROUND AC CABLE
	OVERHEAD AC CABLE
	UNDERGROUND MEDIUM VOLTAGE CABLE
	OVERHEAD MEDIUM VOLTAGE CABLE
	OVERHEAD ELECTRICAL LINES
	PERMANENT FENCE LINE
	TEMPORARY FENCE LINE
	LIMIT OF DISTURBANCE
	STORMWATER BASIN
	16FT ACCESS ROADS
	12FT ACCESS ROADS
	TEMPORARY LAYDOWN AREA (TO BE RESTORED FOLLOWING COMPLETION OF CONSTRUCTION ACTIVITIES)
	25' WETLAND BUFFER
	100' WETLAND SETBACK
	100' GULF STREAM BUFFER
	2A WETLAND ID
	LANDSCAPING
	PROPERTY BOUNDARY

SOLVIDA
DESIGN + ENGINEERING
1641 Kains Avenue, Berkeley, California 94702

SILICON RANCH

MILLER BROS.

LITCHFIELD SOLAR

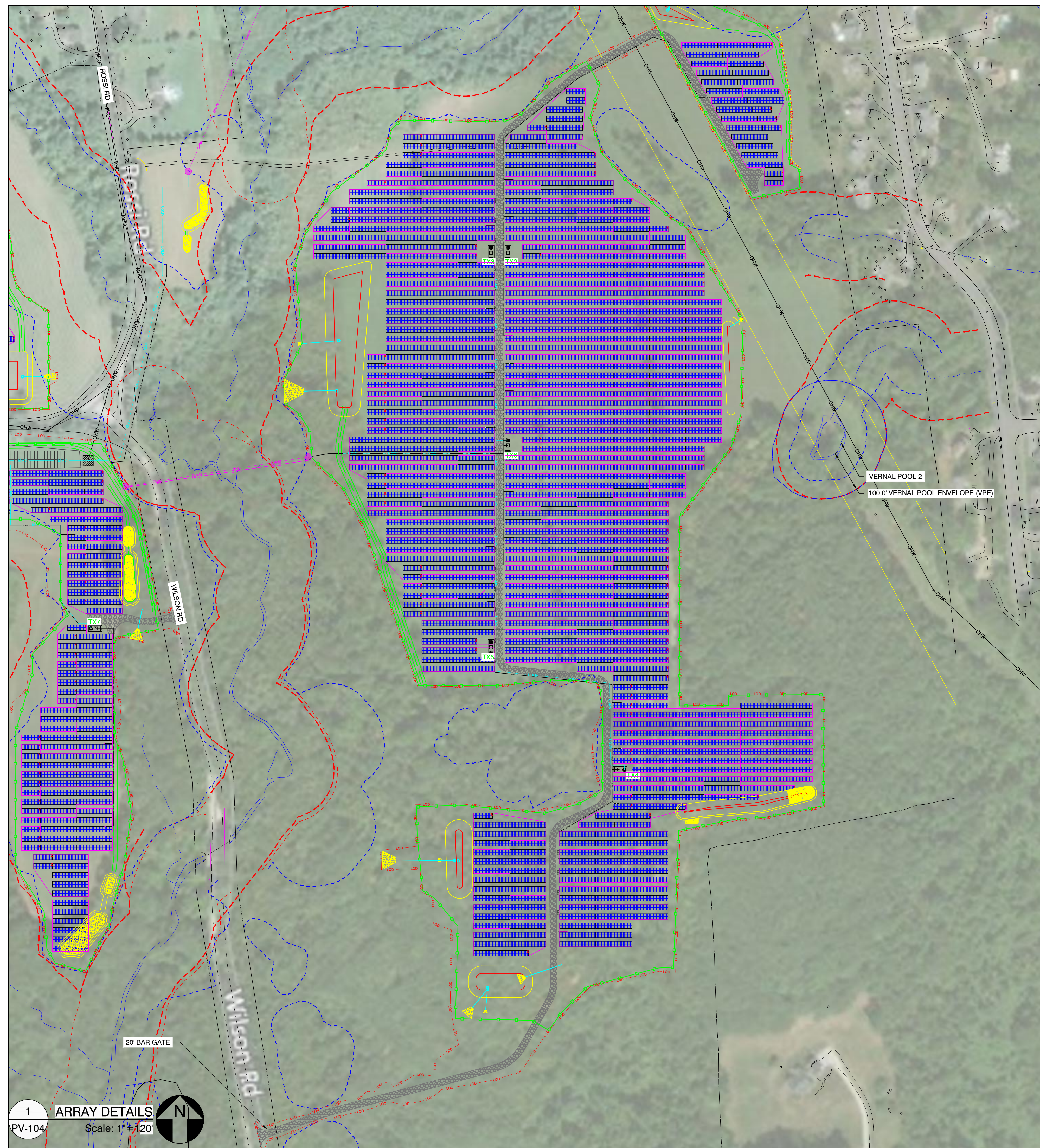
2-298 ROSSI RD
TORRINGTON, CT 06790, USA.
LAT: 41.794157°N
LON: 73.168028°W

REV. NO	DESCRIPTION	DATE
0	PROPOSED	01/04/22

SHEET TITLE:
ARRAY DETAILS

PROJ. MGR.	PROJ. ENGR. SDE	DATE: 01/04/22
DRAWN BY: LR	CHECKED BY:	SCALE: AS SHOWN
DRAWING NO.		

PV-103



LEGEND	
	2P X 25 HANWHA Q-CELLS 480W @25° TILT
	2P X 13 HANWHA Q-CELLS 480W @25° TILT
	EQUIPMENT RACK (TYP. OF 8) (1) LV SWITCHGEAR & (1) MV TRANSFORMER
	SUNGROW 125kW STRING INVERTER
	EQUIPMENT RACK WITH 3 STRING INVERTERS
	EQUIPMENT RACK WITH 4 STRING INVERTERS
	WETLANDS
	UNDERGROUND AC CABLE
	OVERHEAD AC CABLE
	UNDERGROUND MEDIUM VOLTAGE CABLE
	OVERHEAD MEDIUM VOLTAGE CABLE
	OVERHEAD ELECTRICAL LINES
	PERMANENT FENCE LINE
	TEMPORARY FENCE LINE
	LIMIT OF DISTURBANCE
	STORMWATER BASIN
	16FT ACCESS ROADS
	12FT ACCESS ROADS
	TEMPORARY LAYDOWN AREA (TO BE RESTORED FOLLOWING COMPLETION OF CONSTRUCTION ACTIVITIES)
	25' WETLAND BUFFER
	100' WETLAND SETBACK
	100' GULF STREAM BUFFER
	2A WETLAND ID
	LANDSCAPING
	PROPERTY BOUNDARY

SOLVIDA
DESIGN + ENGINEERING
1641 Kains Avenue, Berkeley, California 94702

SILICON RANCH

MILLER BROS.

LITCHFIELD SOLAR

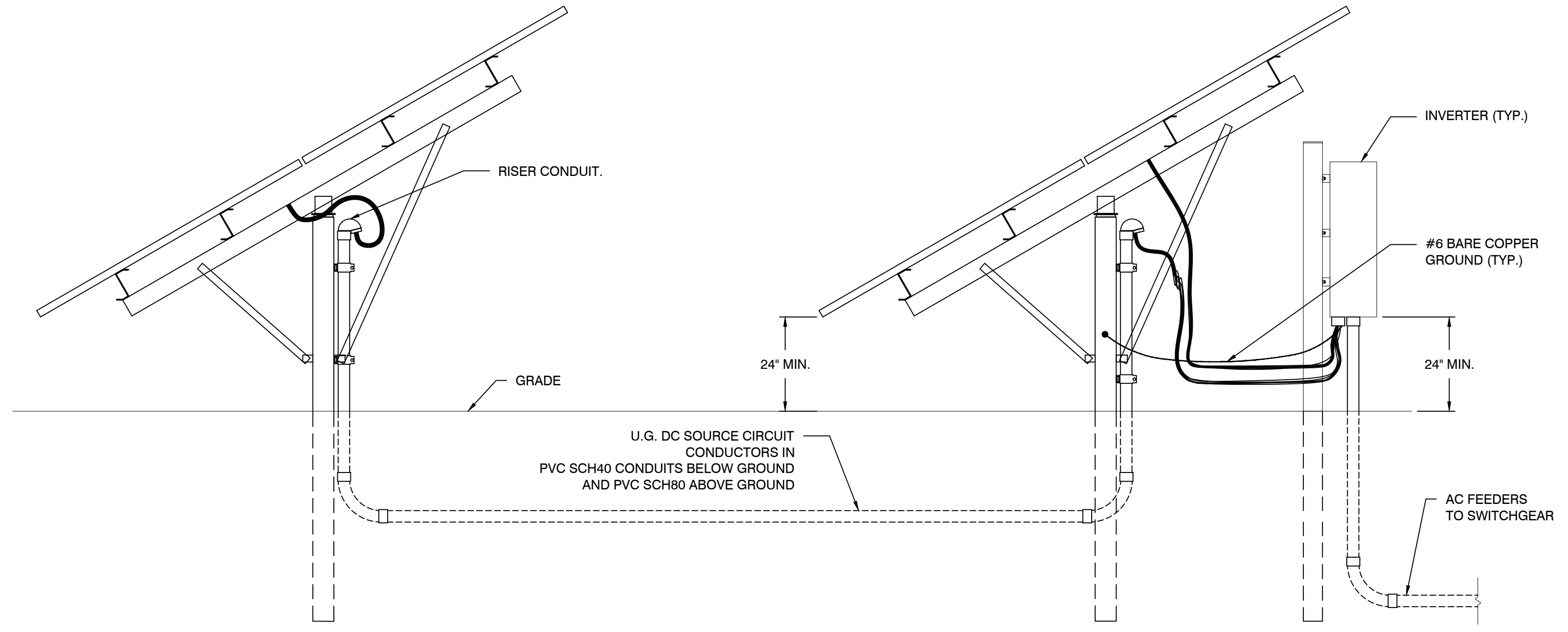
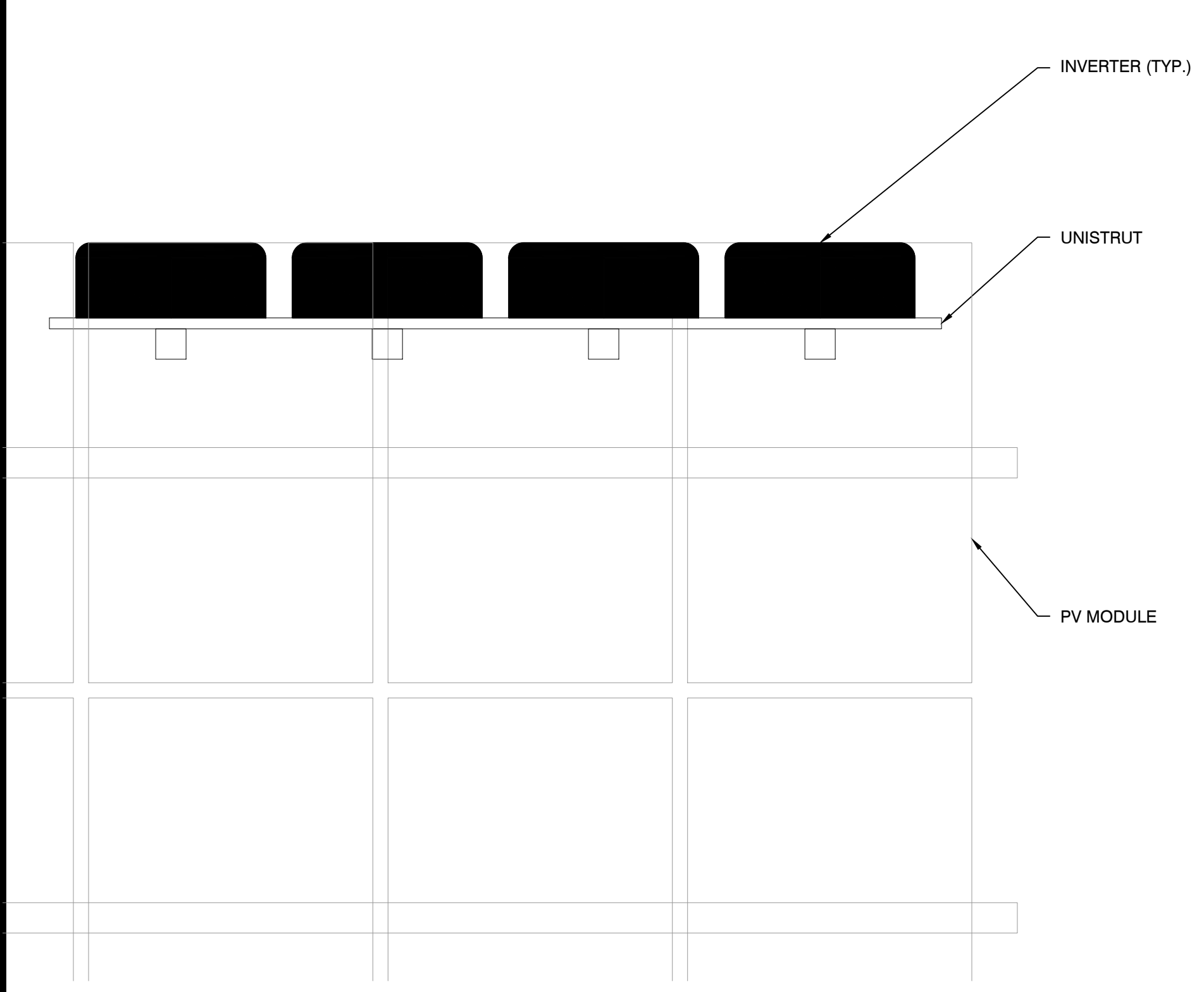
2-298 ROSSI RD
TORRINGTON, CT 06790, USA.
LAT: 41.794157°N
LON: 73.168028°W

REV. NO	DESCRIPTION	DATE
0	PROPOSED	01/04/22

SHEET TITLE:
ARRAY DETAILS

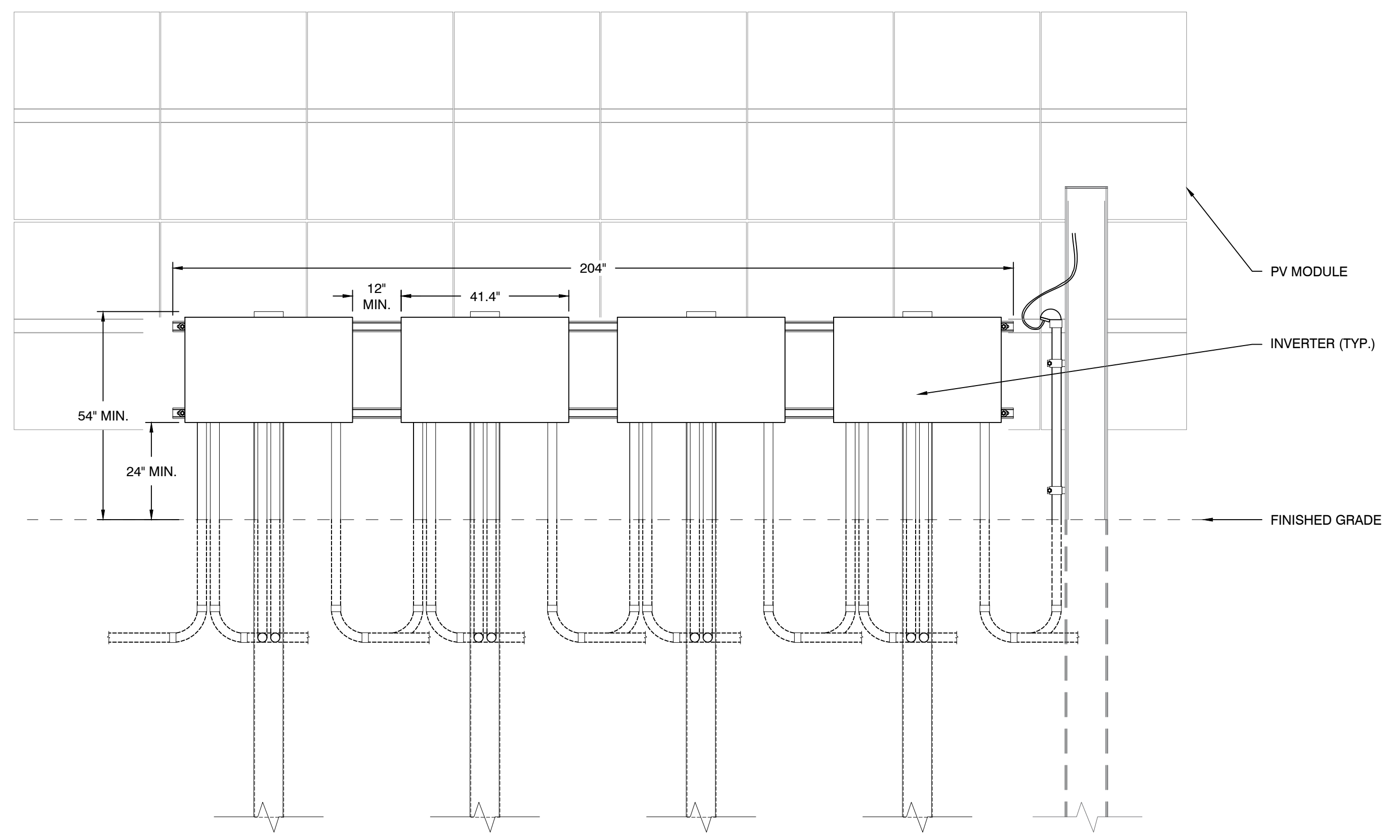
PROJ. MGR.	PROJ. ENGR. SDE	DATE: 01/04/22
DRAWN BY: LR	CHECKED BY:	SCALE: AS SHOWN
DRAWING NO.		

PV-104



1 INVERTER MOUNTING (PLAN VIEW)
Scale: NTS

2 INVERTER ELEVATION (SIDE VIEW) AND DC SOURCE CIRCUIT (JUMPER) TRENCH DETAIL
Scale: NTS



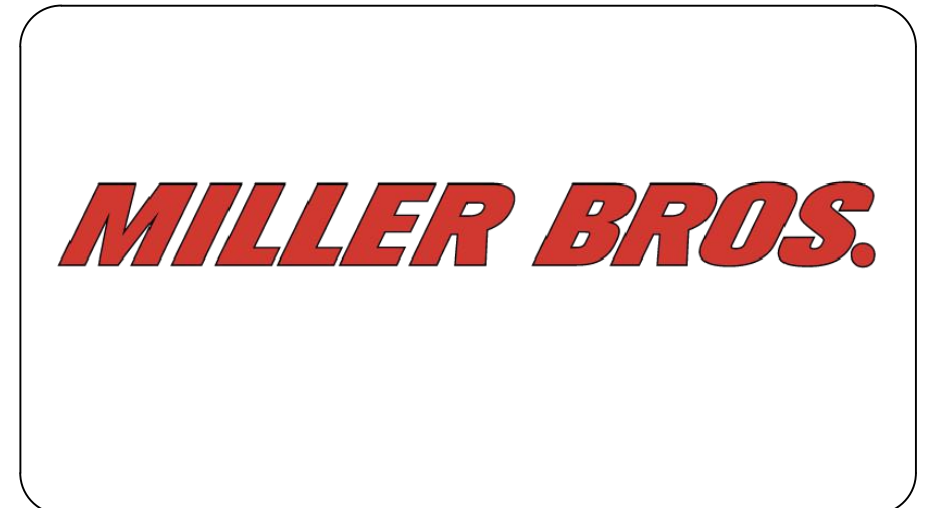
3 INVERTER ELEVATION (FRONT VIEW)
Scale: NTS

REV. NO	DESCRIPTION	DATE
0	PROPOSED	01/04/22

SHEET TITLE:
INVERTER ELEVATION DETAILS

PROJ. MGR.	PROJ. ENGR. SDE	DATE: 01/04/22
DRAWN BY: LR	CHECKED BY:	SCALE: AS SHOWN
DRAWING NO.		

PV-105



LITCHFIELD SOLAR

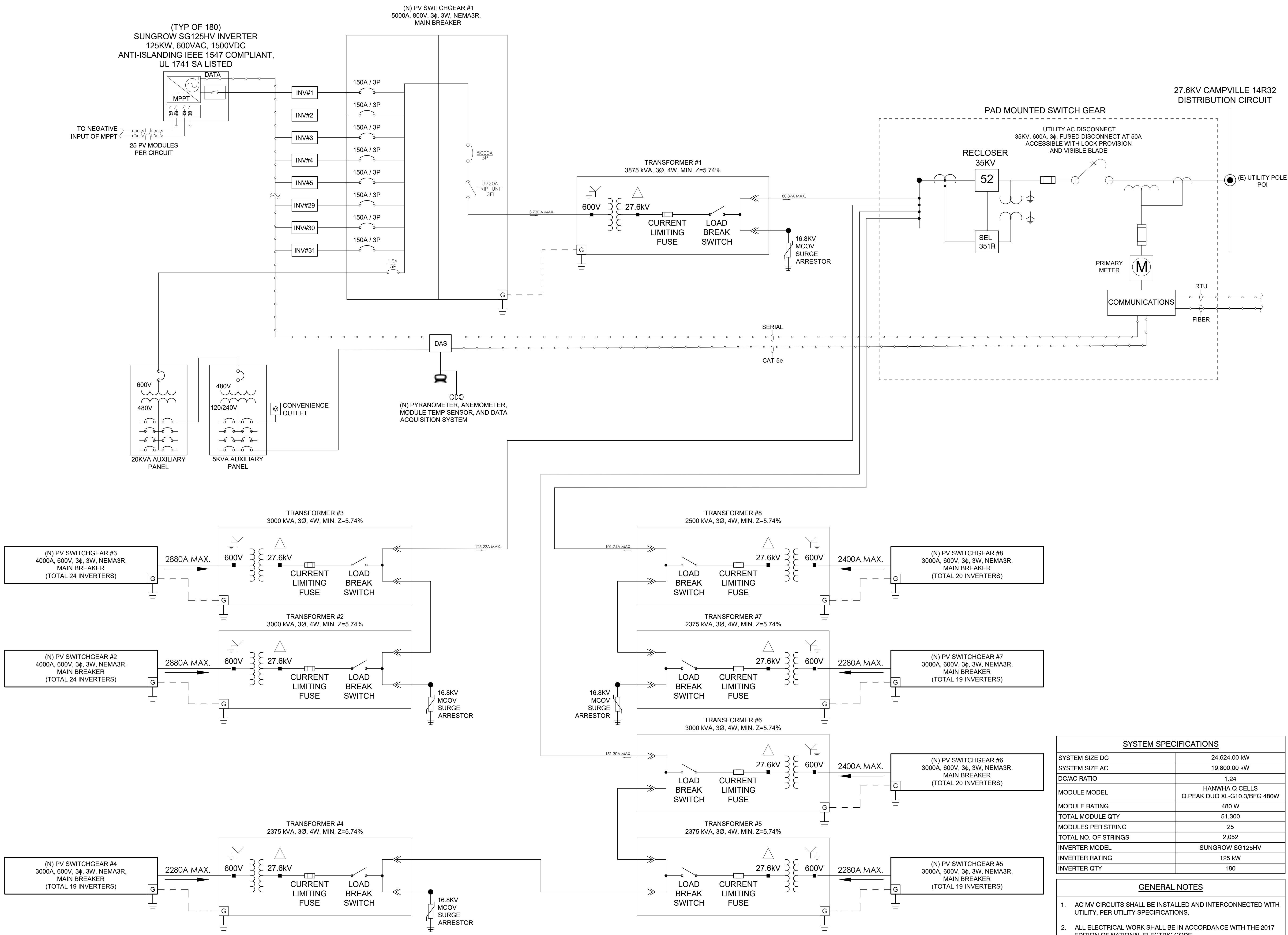
2-298 ROSSI RD
TORRINGTON, CT 06790, USA.
LAT: 41.794157°N
LON: 73.168028°W

0	PROPOSED	01/04/22
REV. NO	DESCRIPTION	DATE

SHEET TITLE:
SINGLE LINE DIAGRAM

PROJ. MGR.	PROJ. ENGR. SDE	DATE:
DRAWN BY: LR	CHECKED BY:	SCALE: AS SHOWN
DRAWING NO.		

E-100



SYSTEM SPECIFICATIONS	
SYSTEM SIZE DC	24,624.00 kW
SYSTEM SIZE AC	19,800.00 kW
DC/AC RATIO	1.24
MODULE MODEL	HANWHA Q CELLS Q.PEAK DUO XL-G10.3/BFG 480W
MODULE RATING	480 W
TOTAL MODULE QTY	51,300
MODULES PER STRING	25
TOTAL NO. OF STRINGS	2,052
INVERTER MODEL	SUNGROW SG125HV
INVERTER RATING	125 kW
INVERTER QTY	180

- GENERAL NOTES**
- AC MV CIRCUITS SHALL BE INSTALLED AND INTERCONNECTED WITH UTILITY, PER UTILITY SPECIFICATIONS.
 - ALL ELECTRICAL WORK SHALL BE IN ACCORDANCE WITH THE 2017 EDITION OF NATIONAL ELECTRIC CODE.
 - ALL DC AND AC EQUIPMENT, WHERE APPLICABLE, SHALL BE LISTED AND LABELED PER RECOGNIZED ELECTRICAL TESTING LABORATORY AND INSTALLED PER THE LISTING REQUIREMENTS. THE MANUFACTURER'S INSTRUCTIONS AND IN ACCORDANCE WITH NEC.
 - RECLOSER CONTROL SETTINGS TO BE COORDINATED WITH UTILITY AND CONTRACTOR.

1 LITCHFIELD SOLAR SINGLE LINE DIAGRAM