



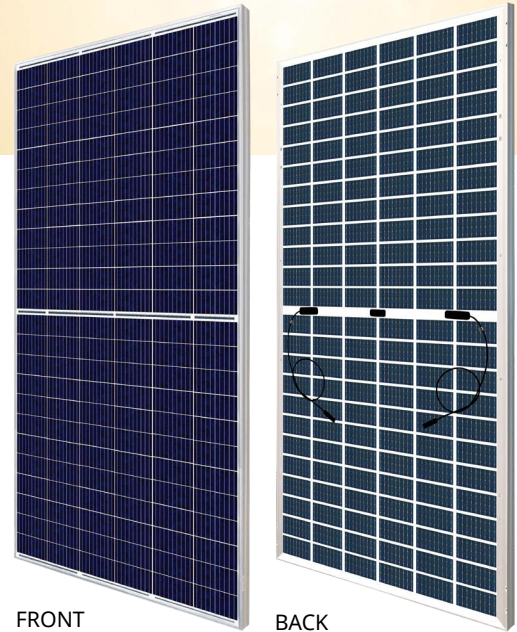
BiHiKu

SUPER HIGH POWER BIFACIAL POLY PERC MODULE

390 W ~ 410 W

UP TO 30% MORE POWER FROM THE BACK SIDE

CS3W-390 | 395 | 400 | 405 | 410PB-AG



MORE POWER



Up to 30% more power from the back side



24 % more front side power than conventional modules



Low NMOT: $41 \pm 3 \text{ }^\circ\text{C}$
Low temperature coefficient (Pmax): $-0.37 \text{ } \%/ \text{ }^\circ\text{C}$



Better shading tolerance

MORE RELIABLE



Lower internal current, lower hot spot temperature



Minimizes micro-cracks and snail trails



Heavy snow load up to 5400 Pa, wind load up to 2400 Pa *



Fire Class A and Type 3 / Type 13



linear power output warranty*



enhanced product warranty on materials and workmanship*

*According to the applicable Canadian Solar Limited Warranty Statement.

MANAGEMENT SYSTEM CERTIFICATES*

ISO 9001:2015 / Quality management system
ISO 14001:2015 / Standards for environmental management system
OHSAS 18001:2007 / International standards for occupational health & safety

PRODUCT CERTIFICATES*

IEC 61215 / IEC 61730: VDE / CE / MCS / INMETRO
UL 1703 / IEC 61215 performance: CEC listed (US)
UL 1703: CSA / IEC 61701 ED2: VDE / IEC 62716: VDE / IEC 60068-2-68: SGS
Take-e-way



* As there are different certification requirements in different markets, please contact your local Canadian Solar sales representative for the specific certificates applicable to the products in the region in which the products are to be used.

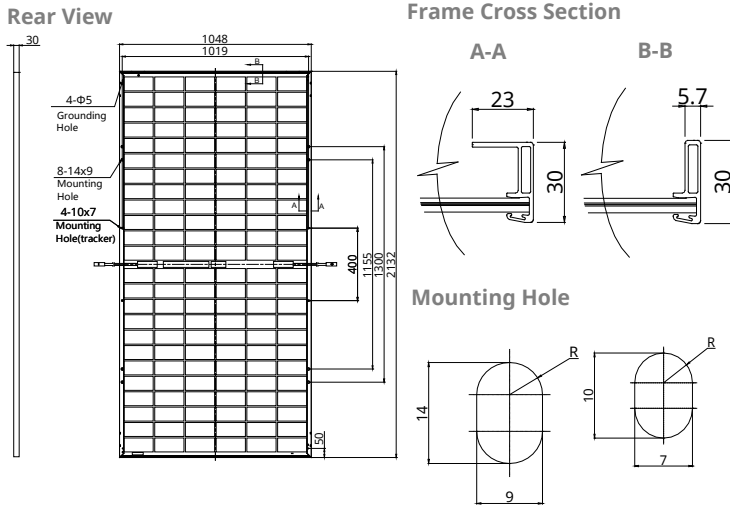
CANADIAN SOLAR INC. is committed to providing high quality solar products, solar system solutions and services to customers around the world. No. 1 module supplier for quality and performance/price ratio in IHS Module Customer Insight Survey. As a leading PV project developer and manufacturer of solar modules with over 36 GW deployed around the world since 2001.

* For detail information, please refer to Installation Manual.

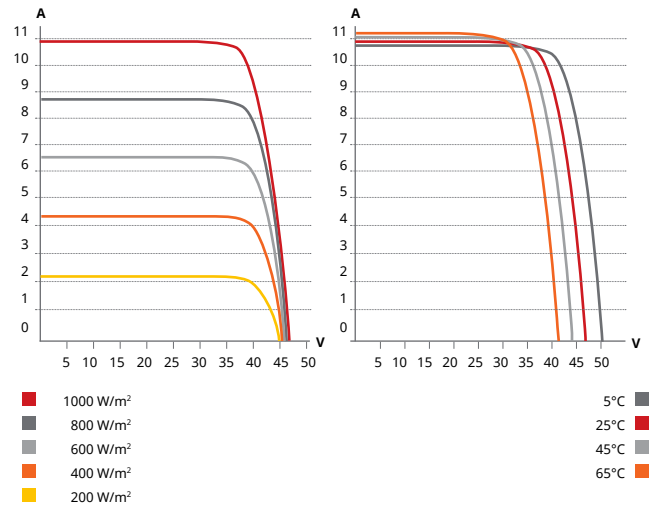
CANADIAN SOLAR INC.

545 Speedvale Avenue West, Guelph, Ontario N1K 1E6, Canada, www.canadiansolar.com, support@canadiansolar.com

ENGINEERING DRAWING (mm)



CS3W-400PB-AG / I-V CURVES



ELECTRICAL DATA | STC*

	Nominal Max. Power (Pmax)	Opt. Operating Voltage (Vmp)	Opt. Operating Current (Imp)	Open Circuit Voltage (Voc)	Short Circuit Current (Isc)	Module Efficiency	
CS3W-390PB-AG	390 W	38.3 V	10.19 A	46.8 V	10.74 A	17.45%	
Bifacial Gain**	5%	410 W	38.3 V	10.71 A	46.8 V	11.28 A	18.35%
	10%	429 W	38.3 V	11.21 A	46.8 V	11.81 A	19.20%
	20%	468 W	38.3 V	12.23 A	46.8 V	12.89 A	20.95%
	30%	507 W	38.3 V	13.25 A	46.8 V	13.96 A	22.69%
CS3W-395PB-AG	395 W	38.5 V	10.26 A	47 V	10.82 A	17.68%	
Bifacial Gain**	5%	415 W	38.5 V	10.78 A	47 V	11.36 A	18.57%
	10%	435 W	38.5 V	11.3 A	47 V	11.9 A	19.47%
	20%	474 W	38.5 V	12.31 A	47 V	12.98 A	21.21%
	30%	513 W	38.5 V	13.34 A	47 V	14.07 A	22.96%
CS3W-400PB-AG	400 W	38.7 V	10.34 A	47.2 V	10.9 A	17.90%	
Bifacial Gain**	5%	420 W	38.7 V	10.86 A	47.2 V	11.45 A	18.80%
	10%	440 W	38.7 V	11.37 A	47.2 V	11.99 A	19.69%
	20%	480 W	38.7 V	12.41 A	47.2 V	13.08 A	21.48%
	30%	520 W	38.7 V	13.44 A	47.2 V	14.17 A	23.27%
CS3W-405PB-AG	405 W	38.9 V	10.42 A	47.4 V	10.98 A	18.13%	
Bifacial Gain**	5%	425 W	38.9 V	10.94 A	47.4 V	11.53 A	19.02%
	10%	445 W	38.9 V	11.46 A	47.4 V	12.08 A	19.92%
	20%	486 W	38.9 V	12.5 A	47.4 V	13.18 A	21.75%
	30%	527 W	38.9 V	13.56 A	47.4 V	14.27 A	23.59%
CS3W-410PB-AG	410 W	39.1 V	10.49 A	47.6 V	11.06 A	18.35%	
Bifacial Gain**	5%	431 W	39.1 V	11.03 A	47.6 V	11.61 A	19.29%
	10%	451 W	39.1 V	11.54 A	47.6 V	12.17 A	20.18%
	20%	492 W	39.1 V	12.59 A	47.6 V	13.27 A	22.02%
	30%	533 W	39.1 V	13.64 A	47.6 V	14.38 A	23.85%

* Under Standard Test Conditions (STC) of irradiance of 1000 W/m², spectrum AM 1.5 and cell temperature of 25°C.

** Bifacial Gain: The additional gain from the back side compared to the power of the front side at the standard test condition. It depends on mounting (structure, height, tilt angle etc.) and albedo of the ground.

ELECTRICAL DATA

Operating Temperature	-40°C ~ +85°C
Max. System Voltage	1500 V (IEC/UL) or 1000 V (IEC/UL)
Module Fire Performance	TYPE 3 / Type 13 (UL 1703) or CLASS A (IEC61730)
Max. Series Fuse Rating	25 A
Application Classification	Class A
Power Tolerance	0 ~ + 5 W
Power Bifaciality*	70 %

* Power Bifaciality = $P_{max_{rear}} / P_{max_{front}}$, both $P_{max_{rear}}$ and $P_{max_{front}}$ are tested under STC, Bifaciality Tolerance: ± 5 %

* The specifications and key features contained in this datasheet may deviate slightly from our actual products due to the on-going innovation and product enhancement. Canadian Solar Inc. reserves the right to make necessary adjustment to the information described herein at any time without further notice. Please be kindly advised that PV modules should be handled and installed by qualified people who have professional skills and please carefully read the safety and installation instructions before using our PV modules.

CANADIAN SOLAR INC.

545 Speedvale Avenue West, Guelph, Ontario N1K 1E6, Canada, www.canadiansolar.com, support@canadiansolar.com

ELECTRICAL DATA | NMOT*

	Nominal Max. Power (Pmax)	Opt. Operating Voltage (Vmp)	Opt. Operating Current (Imp)	Open Circuit Voltage (Voc)	Short Circuit Current (Isc)
CS3W-390PB-AG	291 W	35.7 V	8.15 A	44.0 V	8.66 A
CS3W-395PB-AG	295 W	35.9 V	8.21 A	44.2 V	8.72 A
CS3W-400PB-AG	299 W	36.1 V	8.27 A	44.4 V	8.79 A
CS3W-405PB-AG	302 W	36.3 V	8.33 A	44.6 V	8.85 A
CS3W-410PB-AG	306 W	36.5 V	8.39 A	44.8 V	8.92 A

* Under Nominal Module Operating Temperature (NMOT), irradiance of 800 W/m² spectrum AM 1.5, ambient temperature 20°C, wind speed 1 m/s.

MECHANICAL DATA

Specification	Data
Cell Type	Poly-crystalline
Cell Arrangement	144 [2X (12 X6)]
Dimensions	2132 × 1048 × 30 mm (83.9 × 41.3 × 1.2 in)
Weight	28.2 kg (62.2 lbs)
Front / Back Glass	2.0 mm heat strengthened glass
Frame	Anodized aluminium alloy
J-Box	IP68, 3 diodes
Cable	4.0 mm ² (IEC), 12 AWG (UL)
Cable Length (Including Connector)	Portrait: 400 mm (15.7 in) (+) / 280 mm (11.0 in) (-); landscape: 1400 mm (55.1 in); leap-frog connection: 1850 mm (72.8 in)*
Connector	T4 series or H4 UTX or MC4-EVO2
Per Pallet	35 pieces
Per Container (40' HQ)	700 pieces or 560 pieces (only for US and Canada)

* For detailed information, please contact your local Canadian Solar sales and technical representatives.

TEMPERATURE CHARACTERISTICS

Specification	Data
Temperature Coefficient (Pmax)	-0.37 % / °C
Temperature Coefficient (Voc)	-0.29 % / °C
Temperature Coefficient (Isc)	0.05 % / °C
Nominal Module Operating Temperature	41 ± 3°C

PARTNER SECTION



YASKAWA

SOLECTRIA XGI™ 1500

Premium 3-Phase Transformerless Utility-Scale Inverters

Features

- Made in the USA with global components
- Buy American Act (BAA) compliant
- Four models: 125kW/125kVA, 125kW/150kVA, 150kW/166kVA, 166kW/166kVA
- 99.0% peak efficiency
- Flexible solution for distributed and centralized system architecture
- Advanced grid-support functionality Rule 21/UL1741SA
- Robust, dependable and built to last
- Lowest O&M and installation costs
- Access all inverters on site via WiFi from one location
- Remote diagnostics and firmware upgrades
- SunSpec Modbus Certified

Options

- String combiners for distributed and centralized systems
- Web-based monitoring
- Extended warranty



Yaskawa Solectria Solar's XGI 1500 utility-scale string inverters are designed for high reliability and built of the highest quality components that were selected, tested and proven to last beyond their warranty. The XGI 1500 inverters provide advanced grid-support functionality and meet the latest IEEE 1547 and UL 1741 standards for safety. The XGI 1500 inverters are the most powerful 1500VDC string inverters in the PV market and have been engineered for both distributed and centralized system architecture. Designed and engineered in Lawrence, MA, the new SOLECTRIA XGI inverters are assembled and tested at Yaskawa America's facilities in Buffalo Grove, IL. The XGI 1500 inverters are Made in the USA with global components and are compliant with the Buy American Act.

MADE IN THE USA



With U.S. and Global Components

SOLECTRIA SOLAR

SOLECTRIA XGI 1500

Specifications

	XGI 1500-125/125	XGI 1500-125/150	XGI 1500-150/166	XGI 1500-166/166
DC Input				
Absolute Maximum Input Voltage	1500 VDC	1500 VDC	1500 VDC	1500 VDC
Maximum Power Input Voltage Range (MPPT)	860-1250 VDC	860-1250 VDC	860-1250 VDC	860-1250 VDC
Operating Voltage Range (MPPT)	860-1450 VDC	860-1450 VDC	860-1450 VDC	860-1450 VDC
Number of MPP Trackers	1 MPPT	1 MPPT	1 MPPT	1 MPPT
Maximum Operating Input Current	148.3 A	148.3 A	178.0 A	197.7 A
Maximum Operating PV Power	128 kW	128 kW	153 kW	170 kW
Maximum DC/AC Ratio Max Rated PV Power	2.0 250 kW	2.0 250 kW	1.66 250 kW	1.5 250 kW
Max Rated PV Short-Circuit Current ($\Sigma I_{sc} \times 1.25$)	320 A	320 A	320 A	320 A
AC Output				
Nominal Output Voltage	600 VAC, 3-Ph	600 VAC, 3-Ph	600 VAC, 3-Ph	600 VAC, 3-Ph
AC Voltage Range	-12% to +10%	-12% to +10%	-12% to +10%	-12% to +10%
Continuous Real Output Power	125 kW	125 kW	150 kW	166 kW
Continuous Apparent Output Power	125 kVA	150 kVA	166 kVA	166 kVA
Maximum Output Current	120 A	144 A	160 A	160 A
Nominal Output Frequency	60 Hz	60 Hz	60 Hz	60 Hz
Power Factor (Unity default)	+/- 0.80 Adjustable	+/- 0.80 Adjustable	+/- 0.80 Adjustable	+/- 0.80 Adjustable
Total Harmonic Distortion (THD) @ Rated Load	<3%	<3%	<3%	<3%
Grid Connection Type	3-Ph + N/GND	3-Ph + N/GND	3-Ph + N/GND	3-Ph + N/GND
Fault Current Contribution (1 cycle RMS)	144 A	173 A	192 A	192 A
Efficiency				
Peak Efficiency	98.9%	98.9%	99.0%	99.0%
CEC Average Efficiency	98.5%	98.5%	98.5%	98.5%
Tare Loss	<1 W	<1 W	<1 W	<1 W
Temperature				
Ambient Temperature Range	-40°F to 140°F (-40C to 60C)		-40°F to 140°F (-40C to 60C)	
De-Rating Temperature	122°F (50C)		113°F (45C)	
Storage Temperature Range	-40°F to 167°F (-40C to 75C)		-40°F to 167°F (-40C to 75C)	
Relative Humidity (non-condensing)	0 - 95%		0 - 95%	
Operating Altitude	9,840 ft (3 km)		9,840 ft (3 km)	
Communications				
Advanced Graphical User Interface			WiFi	
Communication Interface			Ethernet	
Third-Party Monitoring Protocol			SunSpec Modbus TCP/IP	
Web-Based Monitoring			Optional	
Firmware Updates			Remote and Local	
Testing & Certifications				
Safety Listings & Certifications			UL 1741, IEEE 1547, UL 1998	
Advanced Grid Support Functionality			Rule 21, UL 1741SA	
Testing Agency			ETL	
FCC Compliance			FCC Part 15, Class A	
Warranty				
Standard and Options			5 Years Standard; Option for 10 Years	
Enclosure				
Acoustic Noise Rating			56 dBA @ 3 m	
DC Disconnect			Integrated 2-Pole 250 A DC Disconnect	
Mounting Angle			Vertical only	
Dimensions	Height: 29.5 in. (750 mm) Width: 39.4 in. (1000 mm) Depth: 15.1 in. (380 mm)		Specifications subject to change.	
Weight			270 lbs (122 kg)	
Enclosure Rating and Finish			Type 4X, Polyester Powder-Coated Aluminum	



SOLECTRIA SOLAR

Yaskawa Solectria Solar
360 Merrimack Street
Lawrence, MA 01843
solectria.com

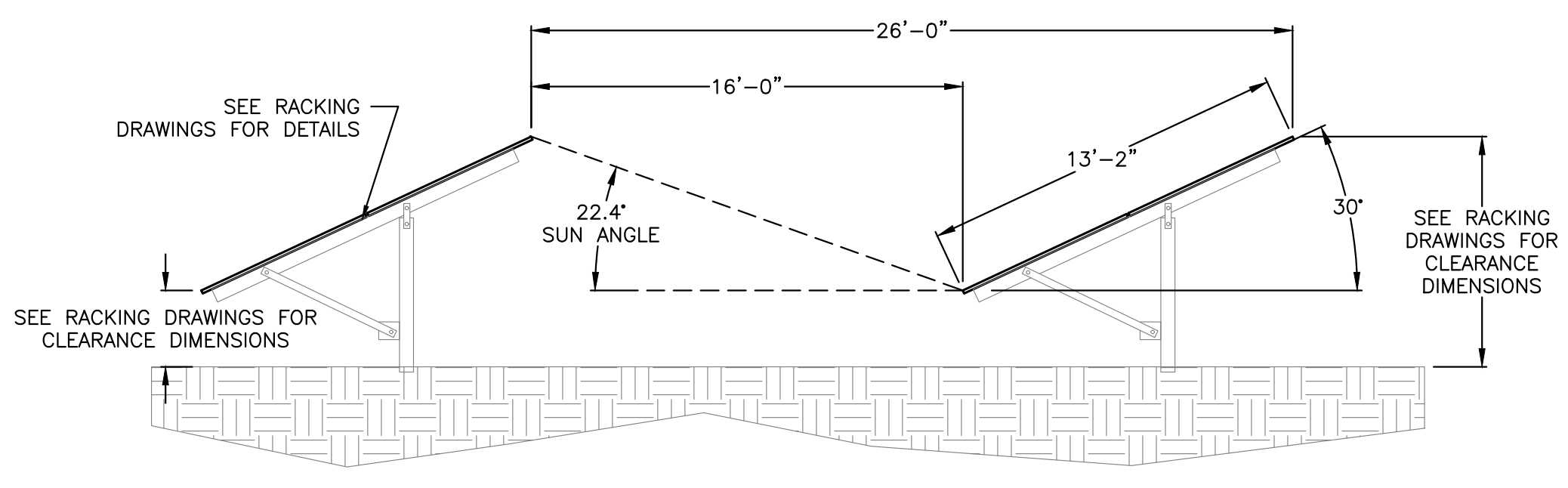
1-978-683-9700
Email: inverters@solectria.com

Document FL.XGI1500.01
2/6/2020
© 2020 Yaskawa – Solectria Solar

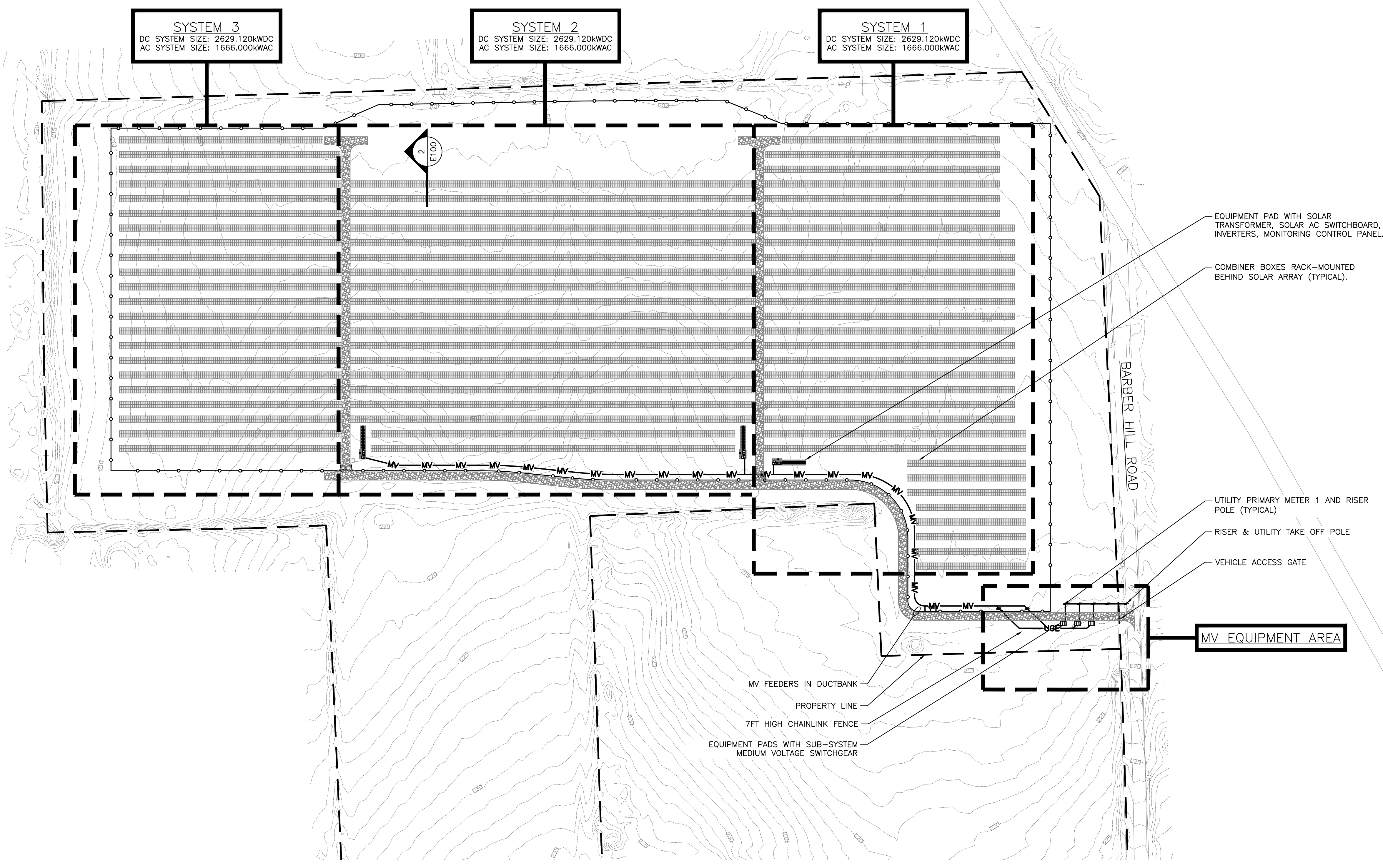
YASKAWA

PLOT DATE: 5/25/2020 5:10 PM

RULER IN INCHES:



2 RACKING DETAIL
E100 SCALE: NONE



1 AC ELECTRICAL PLAN
E100 SCALE: 1" = 100'-0"

DRAWING TITLE
AC ELECTRICAL PLAN

PROJECT	7887.360kW SOLAR GROUND MOUNT AT SG2 MULNITE 33 WAPPING ROAD, EAST WINDSOR, CT 06016	DC SYSTEM SIZE: 7887.360 kW AC SYSTEM SIZE: 4998.000 kW MODULE: CS3W-395PB-AG 395W MODULE QUANTITY: 19968 STRING QUANTITY: 768 ORIENTATION: 35° TILT & 180° AZIMUTH	PAGE SIZE: 36" x 24" PROJECT #: PPE 19.1313	DATE	REVISION DESCRIPTION	DATE	PM / ENG / CHK

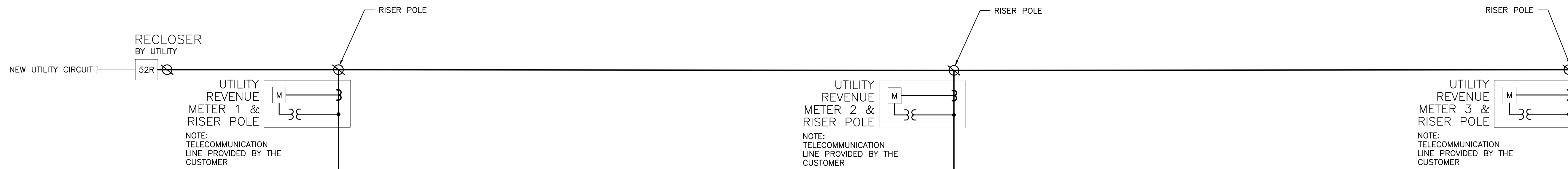
PURE POWER
ELECTRICAL INC.
5 MARINE VIEW PLAZA - HOBOKEN, NJ
WWW.PUREPOWER.COM
RICHARD A. WINDSOR
CT LICENSE NO. 06932882

GREENSKIES
180 JOHNSON STREET,
MIDDLETOWN, CT 06457
WWW.GREENSKIES.COM
a Clean Focus company

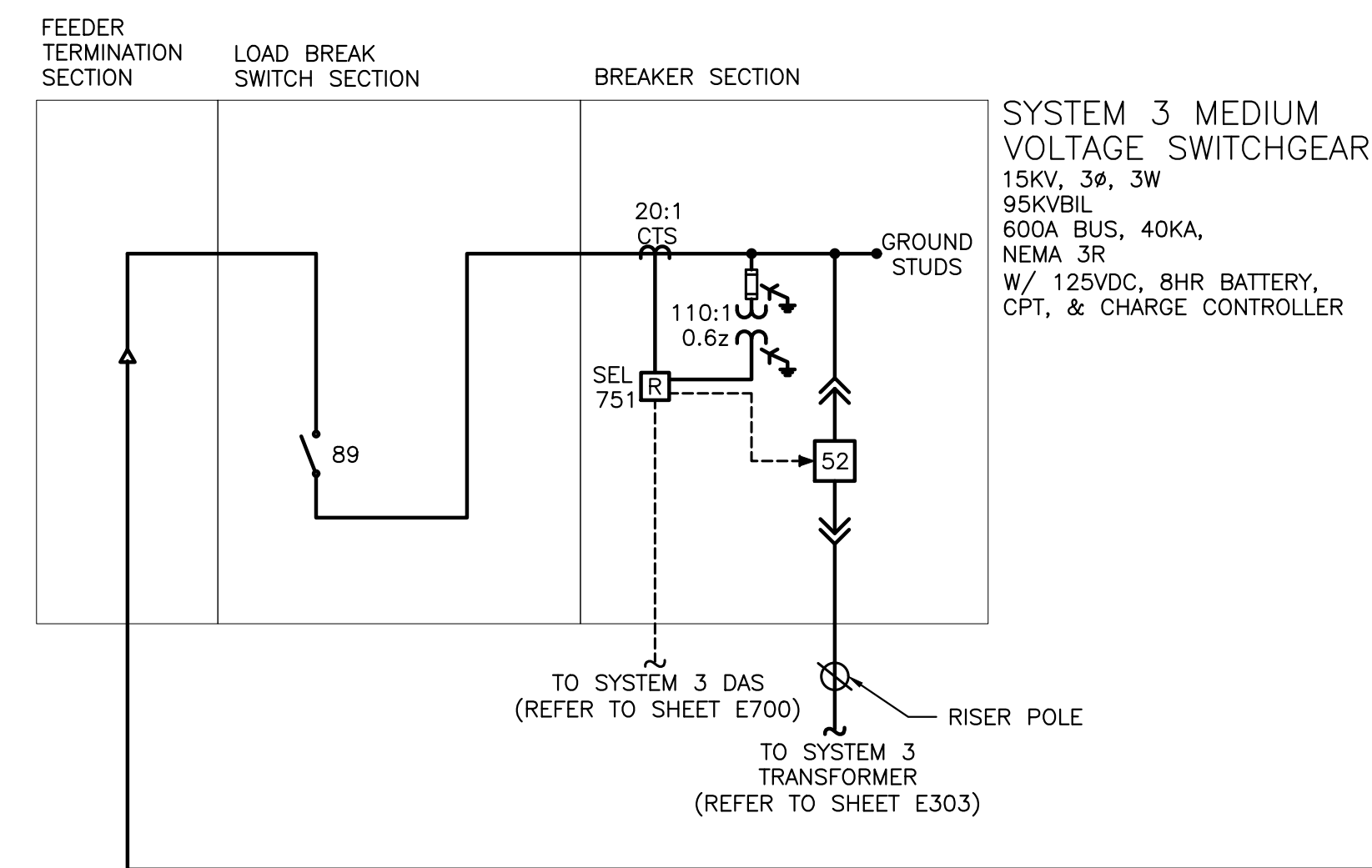
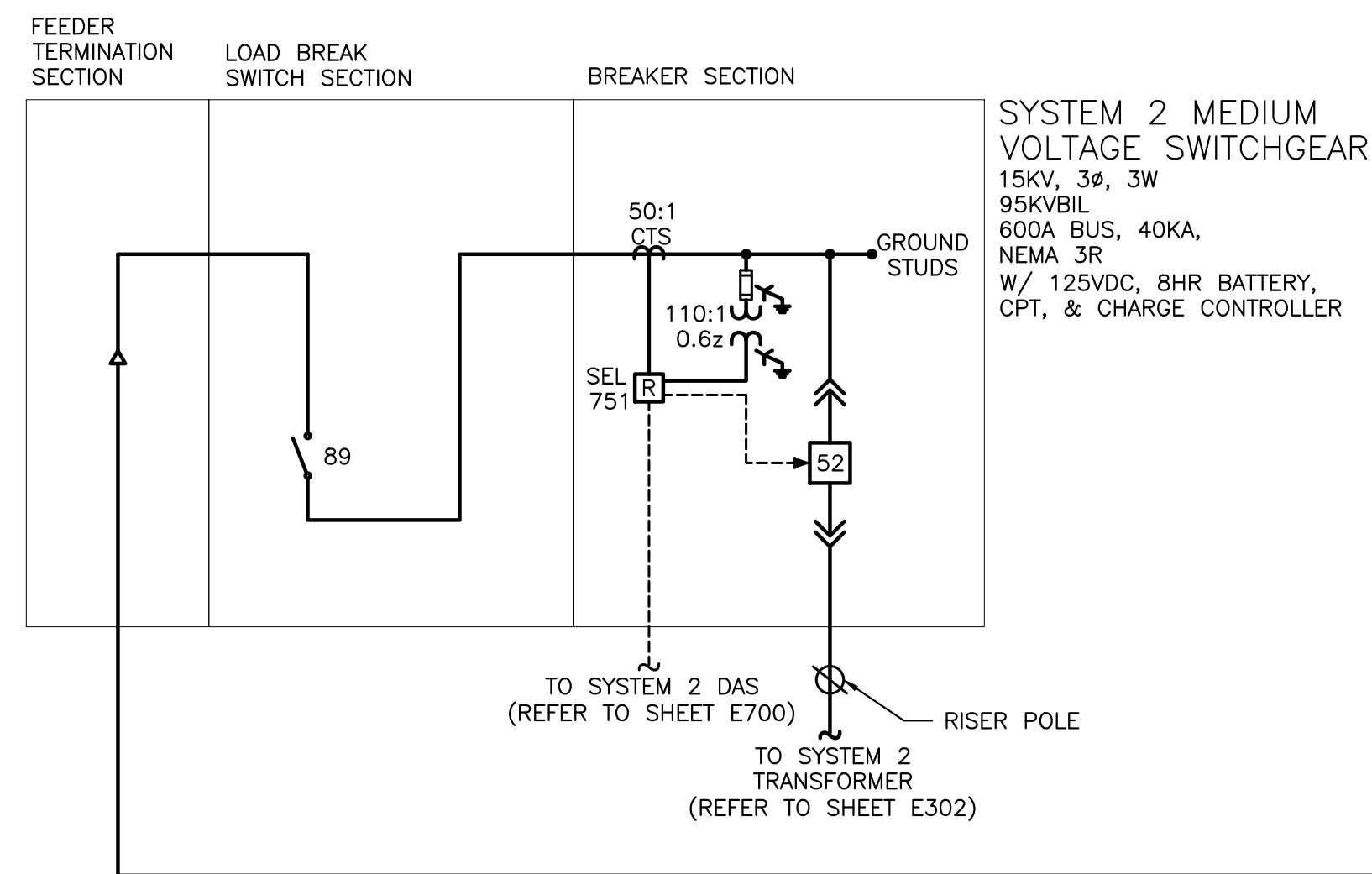
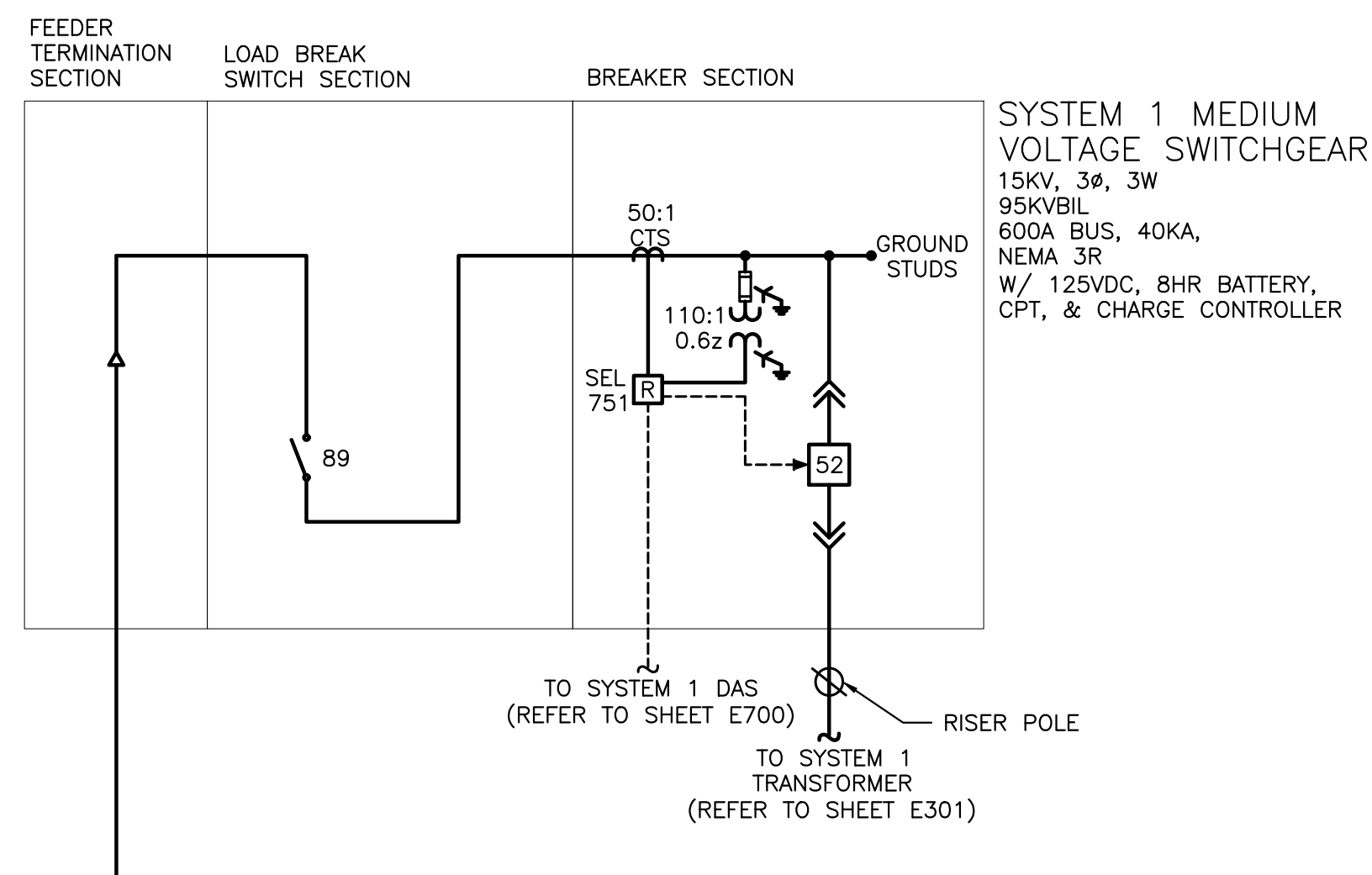
DEVELOPER
Greenskies

RULER IN INCHES: 0 1/2 1 2 3 4 5 6 7 8 9 10 11 12 13 14 15 16 17 18

OVERALL SYSTEM SIZE	
DC SYSTEM SIZE	7,887.360 KW
AC SYSTEM SIZE	4,998.000 KW
MODULE	CANADIAN SOLAR CS3W-395PB-AG
MODULE QTY	19968
INVERTER	SOLECTRIA XGI-1500 125/125, 166/166
INVERTER QTY	36 / 3



4" PVC CONDUIT WITH:
(3)#2 CU MV-105 FULL CONCENTRIC NEUTRAL
15KV 133% EPR. INCLUDE (1)CU #6G (600V)



1 ONE LINE DIAGRAM
E300 SCALE: NONE

DRAWING TITLE
ONE LINE DIAGRAM
- MEDIUM VOLTAGE

E300

PROJECT: 7887.360KW SOLAR GROUND MOUNT AT SG2 MULNITE 33 WAPPING ROAD, EAST WINDSOR, CT 06016

DC SYSTEM SIZE: 7887.360 KW
AC SYSTEM SIZE: 4998.000 KW
MODULE: CS3W-395PB-AG 385W
MODULE QUANTITY: 19968
SHEETS: 705
GENERATION: 35-TILT & 180-2AZIMUTH

PAGE SIZE: 36" x 24"
PROJECT #: PPE 19.1313

DEVELOPER: Greenskies a Clean Focus company
180 JOHNSON STREET, MIDDLETOWN, CT 06457
WWW.GREENSKIES.COM

PURE POWER
5 MARINE VIEW PLAZA, HOBOKEN, NJ
WWW.PUREPOWER.COM
RICHARD A. VONN
CT LICENSE NO. 03029282

DATE: 03/27/2020
REVISION DESCRIPTION: INTERCONNECTION DOCUMENTS
PM TENG CHK

RULER IN INCHES: 0 1 2 3 4 5 6 7 8 9 10 11 12 13 14 15 16 17 18
 PLOT DATE: 5/25/2020 5:10 PM

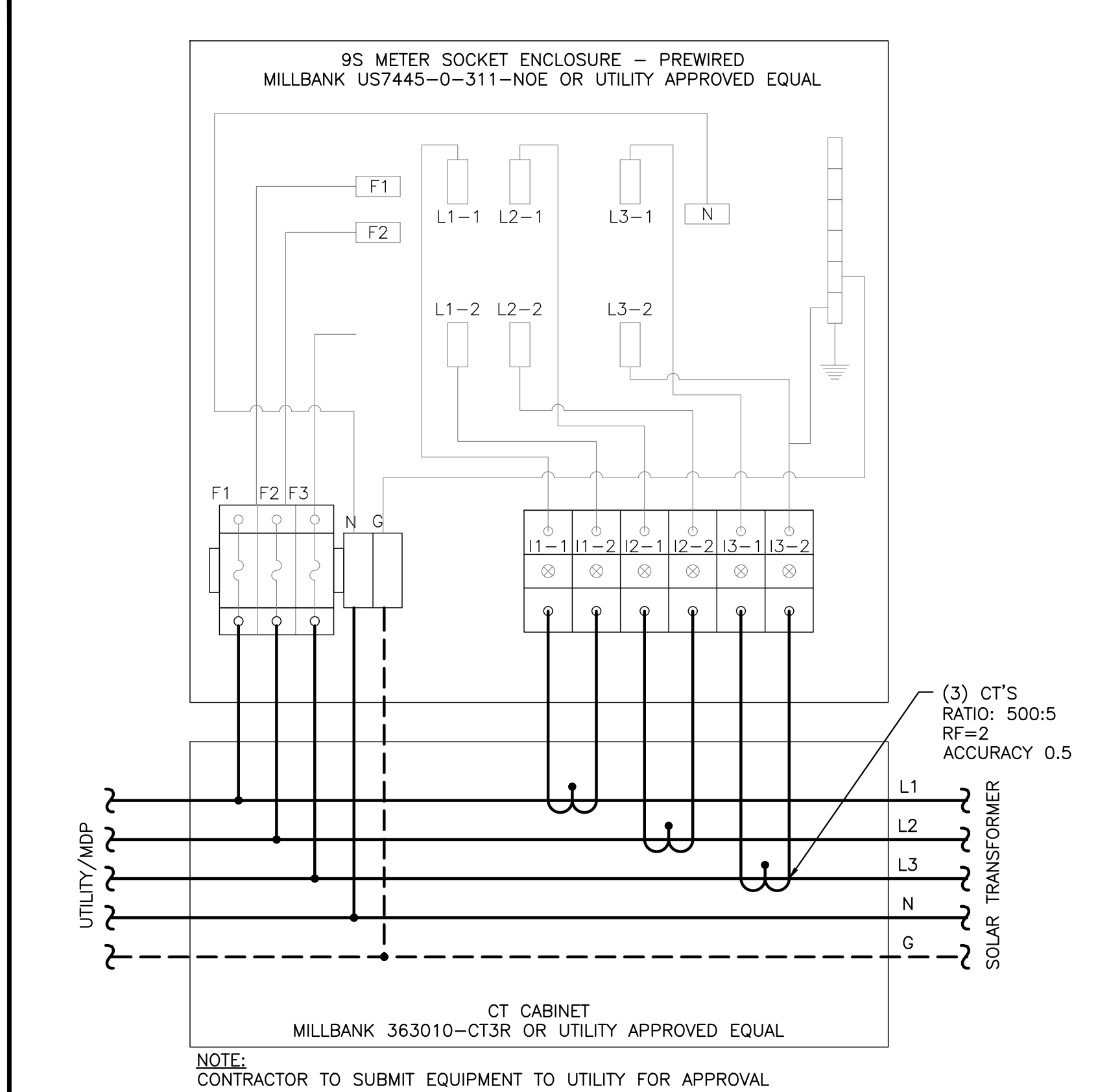
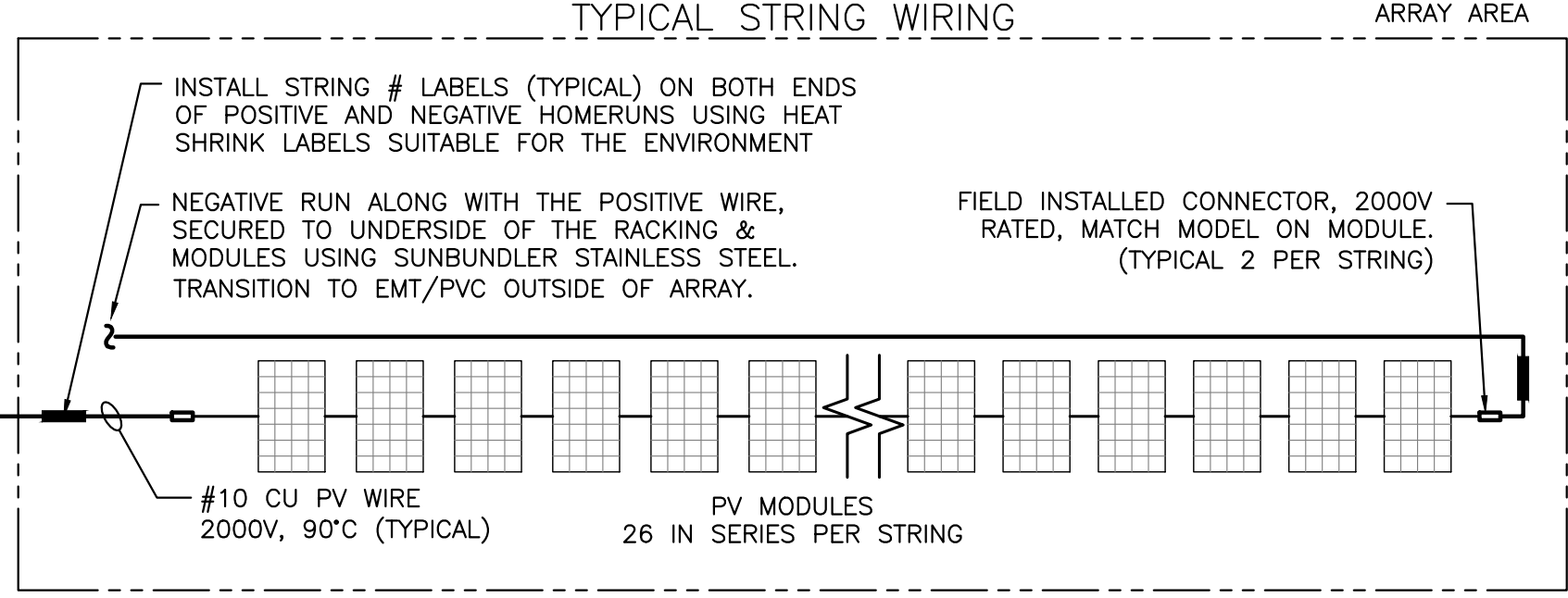
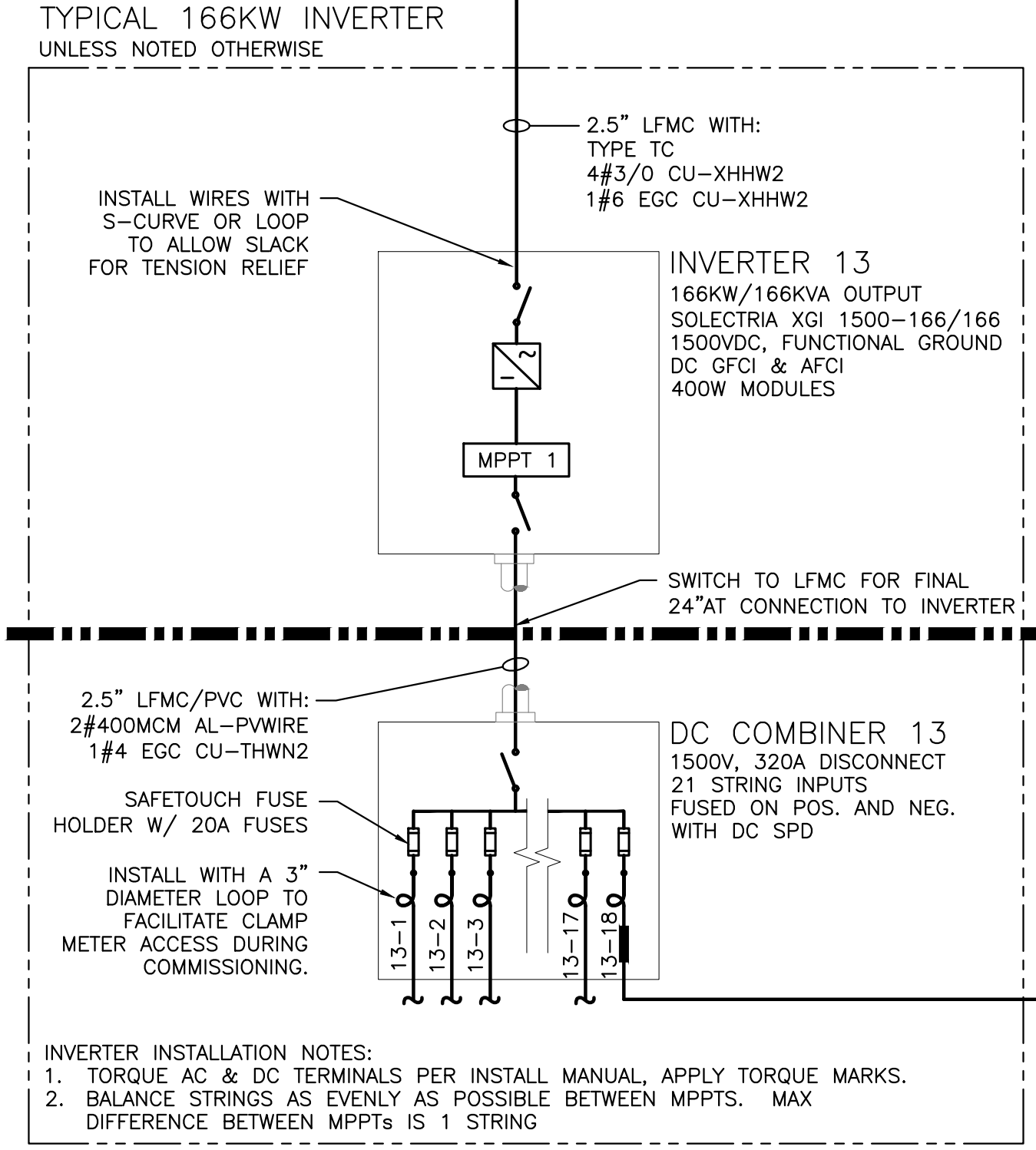
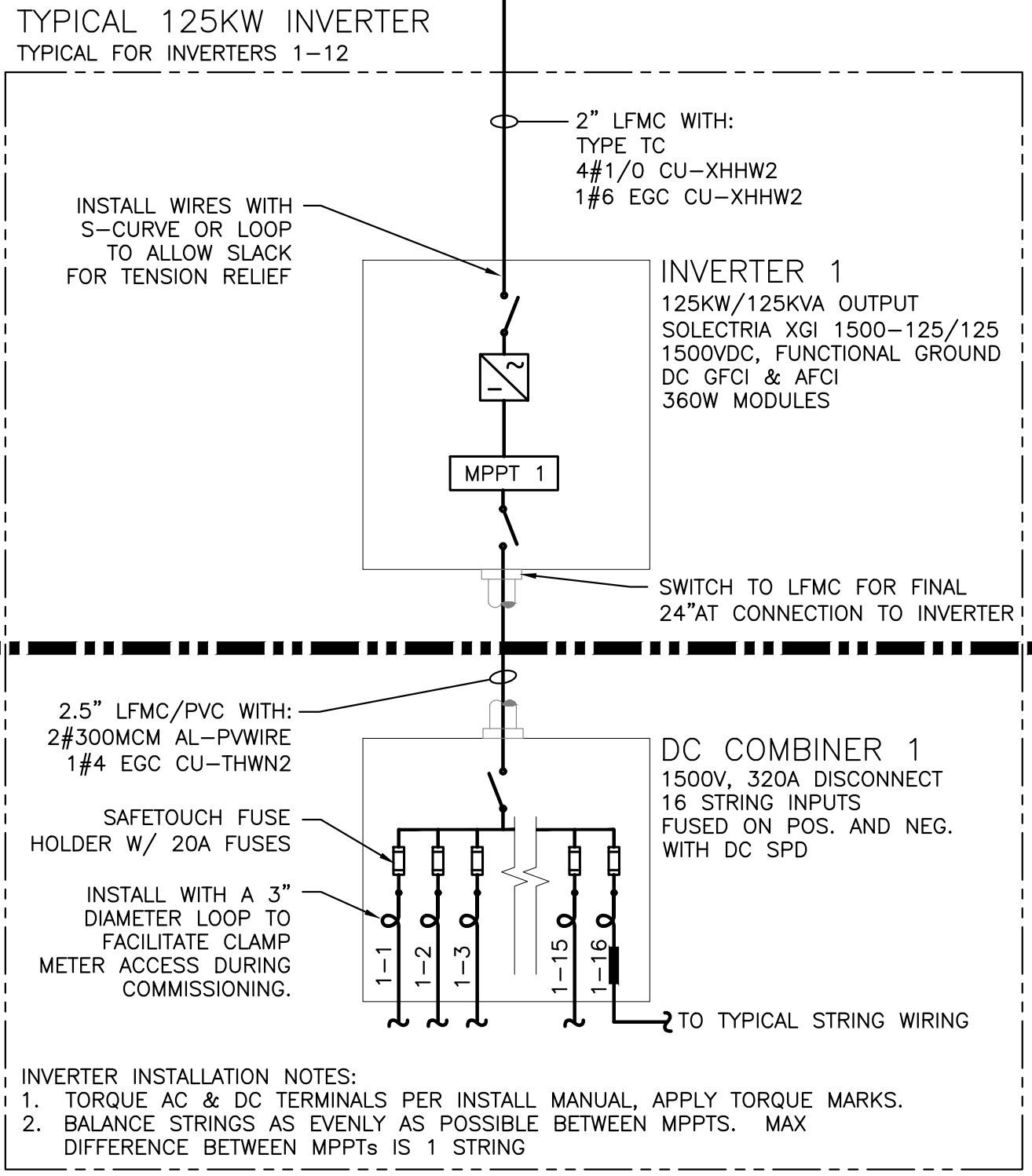
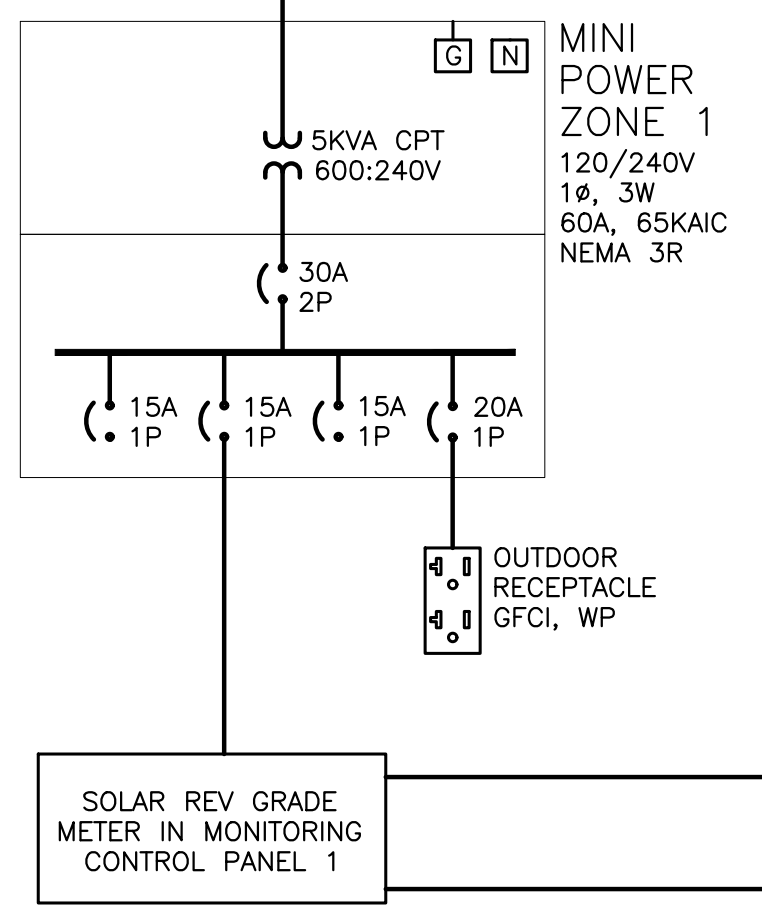
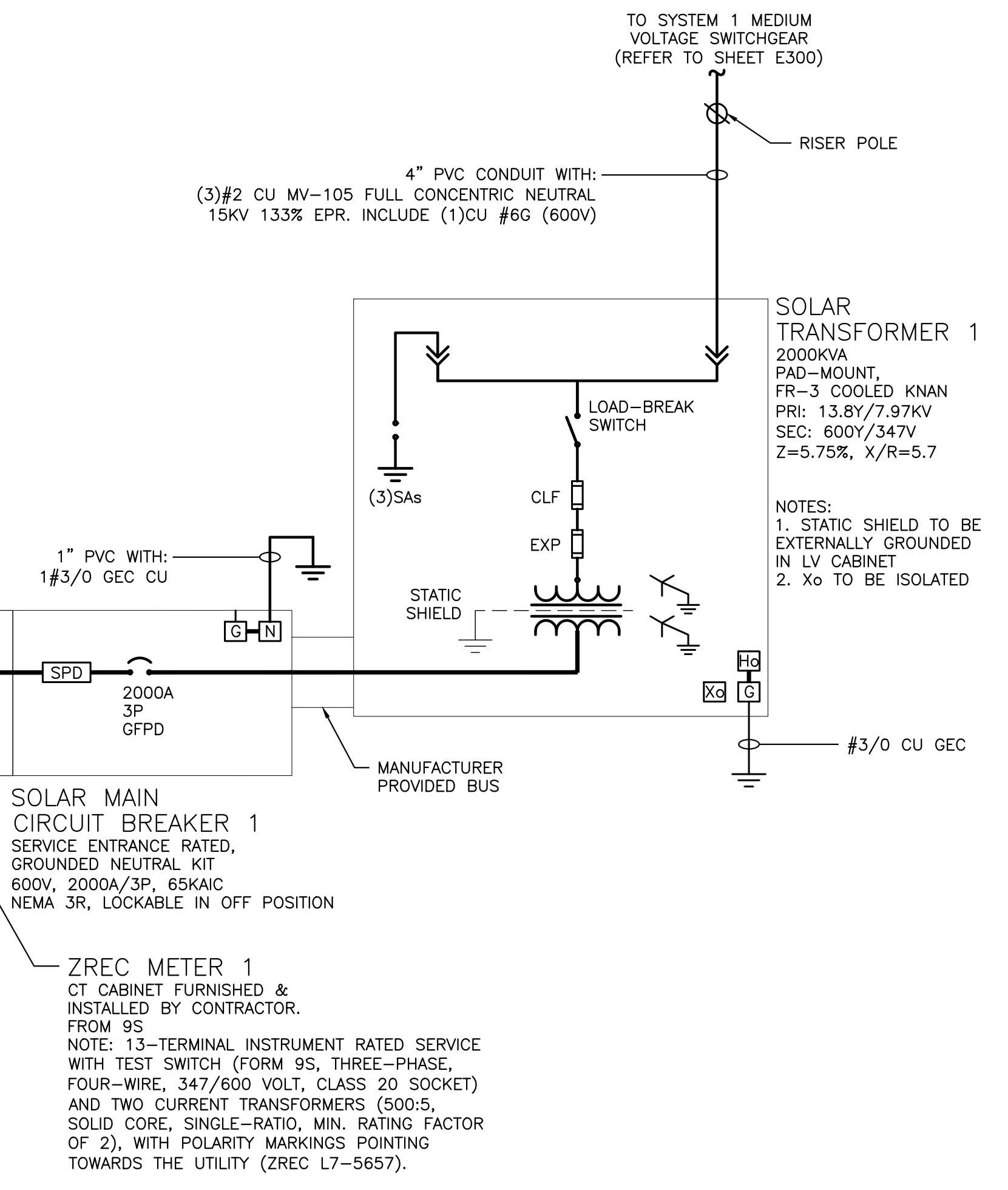
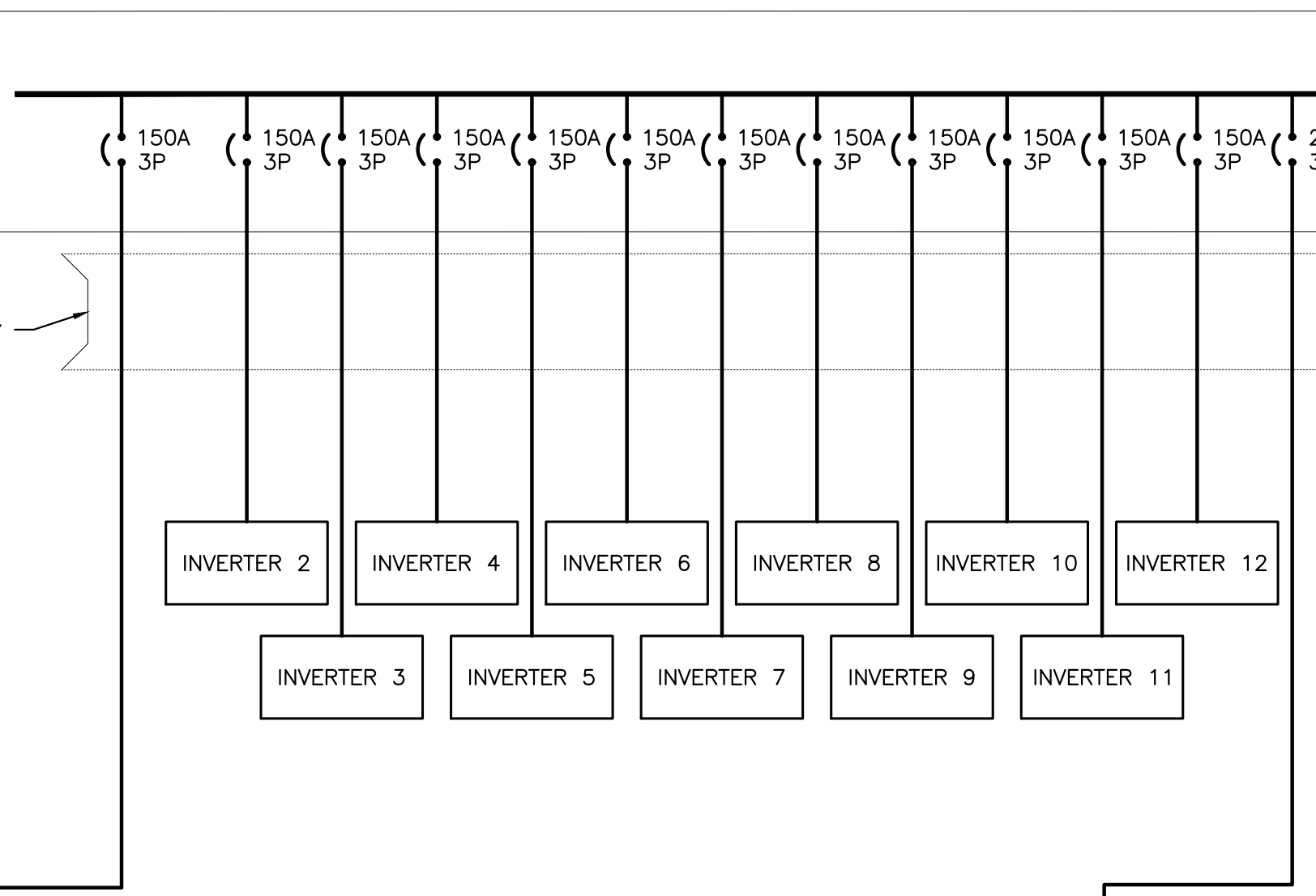
SYSTEM 1 SUMMARY	
DC SYSTEM SIZE	2,629.120 KW
AC SYSTEM SIZE	1,666.000 KW
MODULE	CANADIAN SOLAR CS3W-395PB-AG
MODULE QTY	6656
INVERTER	SOLECTRIA XGI-1500 125/125, 166/166
INVERTER QTY	12, 1

INVERTER INTERNAL PROTECTIVE SETTINGS: UL1741-SA COMPLIANT					
ANSI ELEMENT #	Pickup	Units*	Level	Total Clear Time (sec)	Description
27	304.8	V	88%	2.00	Slow UV
27	173.2	V	50%	1.10	Fast UV
59	381.1	V	110%	2.00	Slow OV
59	415.7	V	120%	0.16	Fast OV
81U-1	56.50	Hz	94%	0.16	Fast UF
81U-2	58.50	Hz	98%	300.00	Slow UF
81O-1	62.00	Hz	103%	0.16	Fast OF
81O-2	61.20	Hz	102%	300.00	Slow OF
79	329.1	V	95%	300.00	Min Reclosing Voltage Value
79	363.7	V	105%	300.00	Max Reclosing Voltage Value
79	59.6	Hz	99%	300.00	Min Reclosing Frequency Value
79	60.5	Hz	101%	300.00	Max Reclosing Frequency Value

INVERTER INTERNAL OPERATION SETTINGS					
PF Set Point	1.00				Power Factor Control
Var Control	OFF				Reactive Power Control
Ramp Rate	10%/1 sec				dkw / dt
Freq Control	OFF				Speed Control

* voltages based off 346.4V Line to Neutral

SOLAR AC SWITCHBOARD 1
600Y/347V, 3ø, 4W
2000A, 65KAIC
NEMA 3R



1 ONE LINE DIAGRAM
E301 SCALE: NONE

2 ZREC METER WIRING DIAGRAM (TYPICAL)
E301 SCALE: NONE

DRAWING TITLE
ONE LINE DIAGRAM - SYSTEM 1

PROJECT: 7887.360KW SOLAR GROUND MOUNT AT SC2 MULNITE 33 WAPPING ROAD, EAST WINDSOR, CT 06016

DC SYSTEM SIZE: 7887.360 KW
AC SYSTEM SIZE: 4998.000 KW
MODULE: CS3W-395PB-AG 395W
MODULE QUANTITY: 6656
STRING QUANTITY: 705
GENERATOR: 3P-TILT & 180°AZIMUTH

PAGE SIZE: 36" x 24"
PROJECT #: 131313
PPE: 19.1313

DEVELOPER: Greenskies
a Clean Focus company
180 JOHNSON STREET, MIDDLETOWN, CT 06457
WWW.GREENSKIES.COM

DESIGNER: PURE POWER
5 MARINE VIEW PLAZA, HOBOKEN, NJ
WWW.PUREPOWER.COM
RICHARD A. VONN
CT LICENSE NO. 03629282

DATE: 03/24/2020
REVISION DESCRIPTION: INTERCONNECTION DOCUMENTS
DATE: 03/24/2020
BY: AD
BY: AD

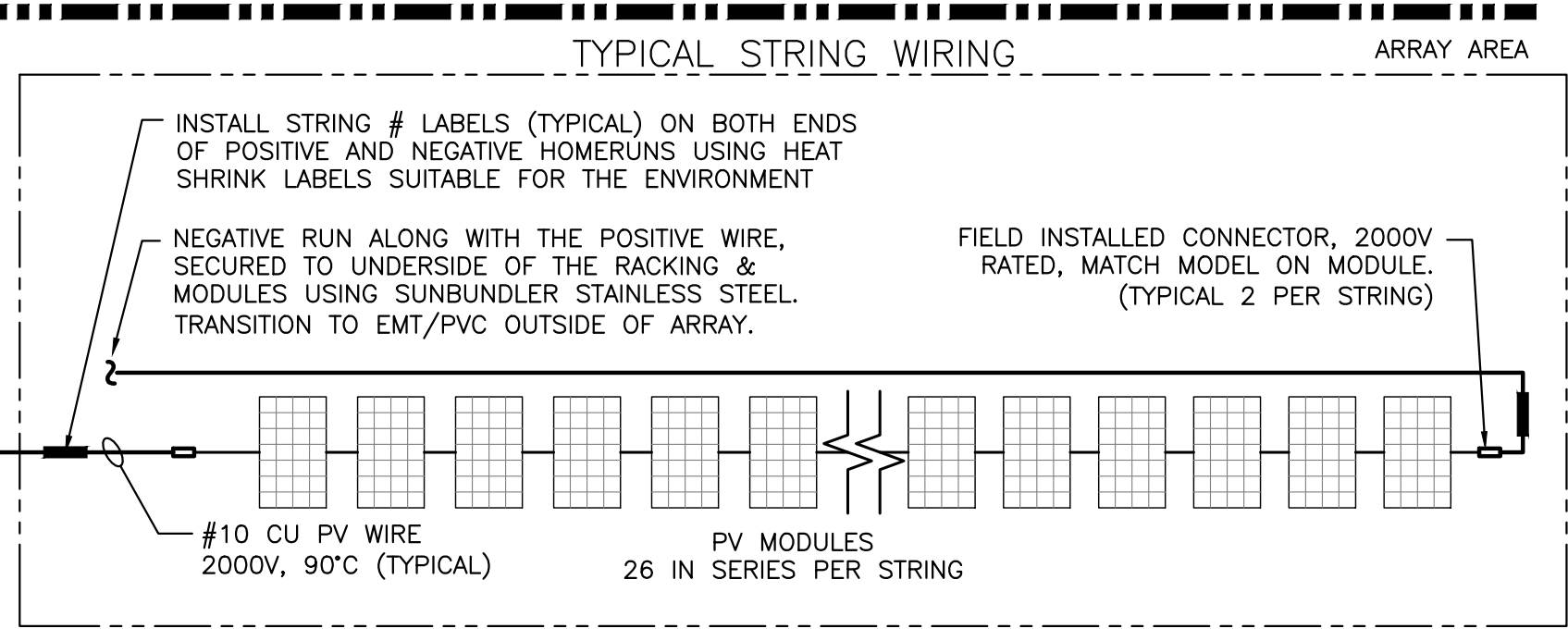
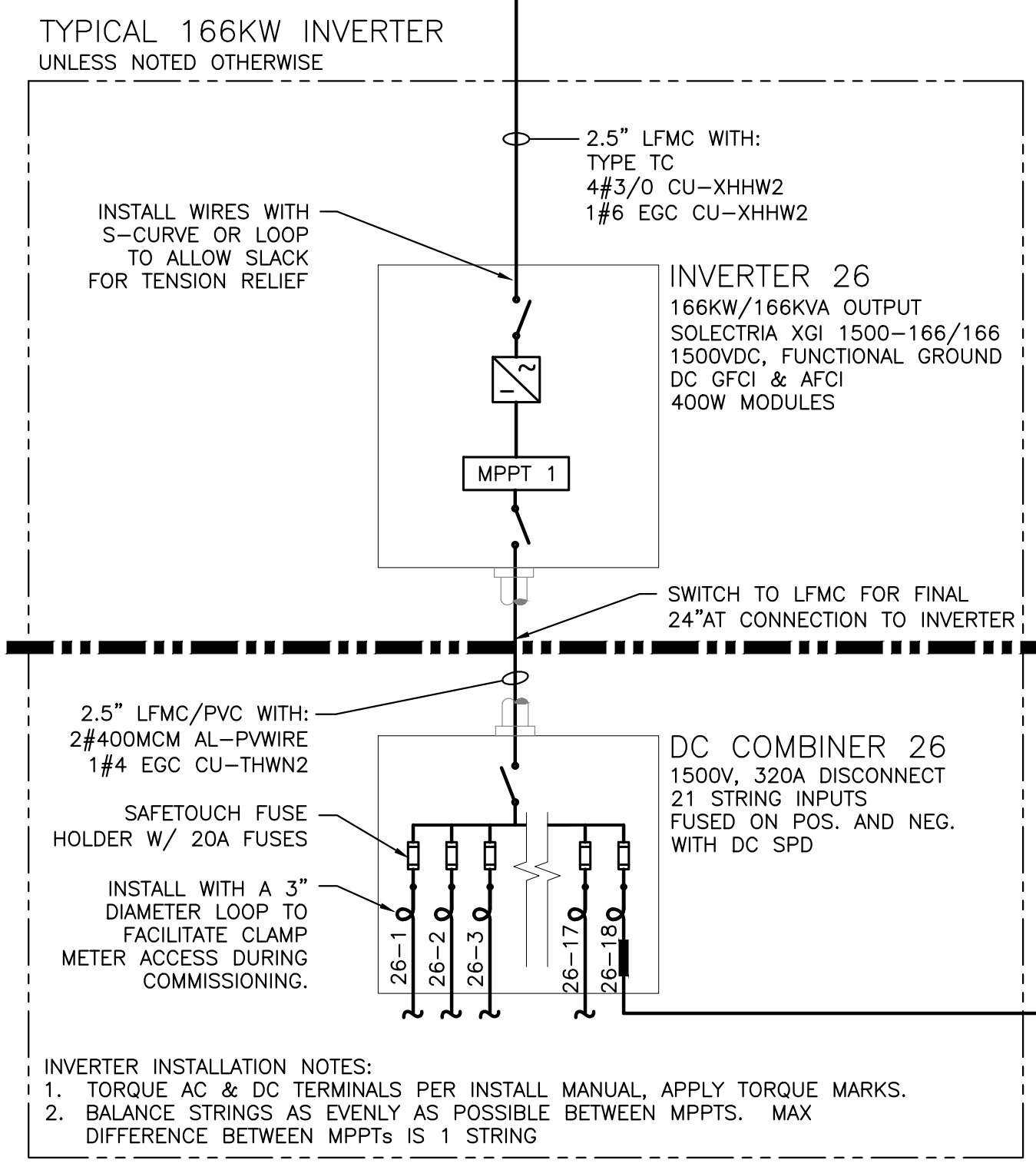
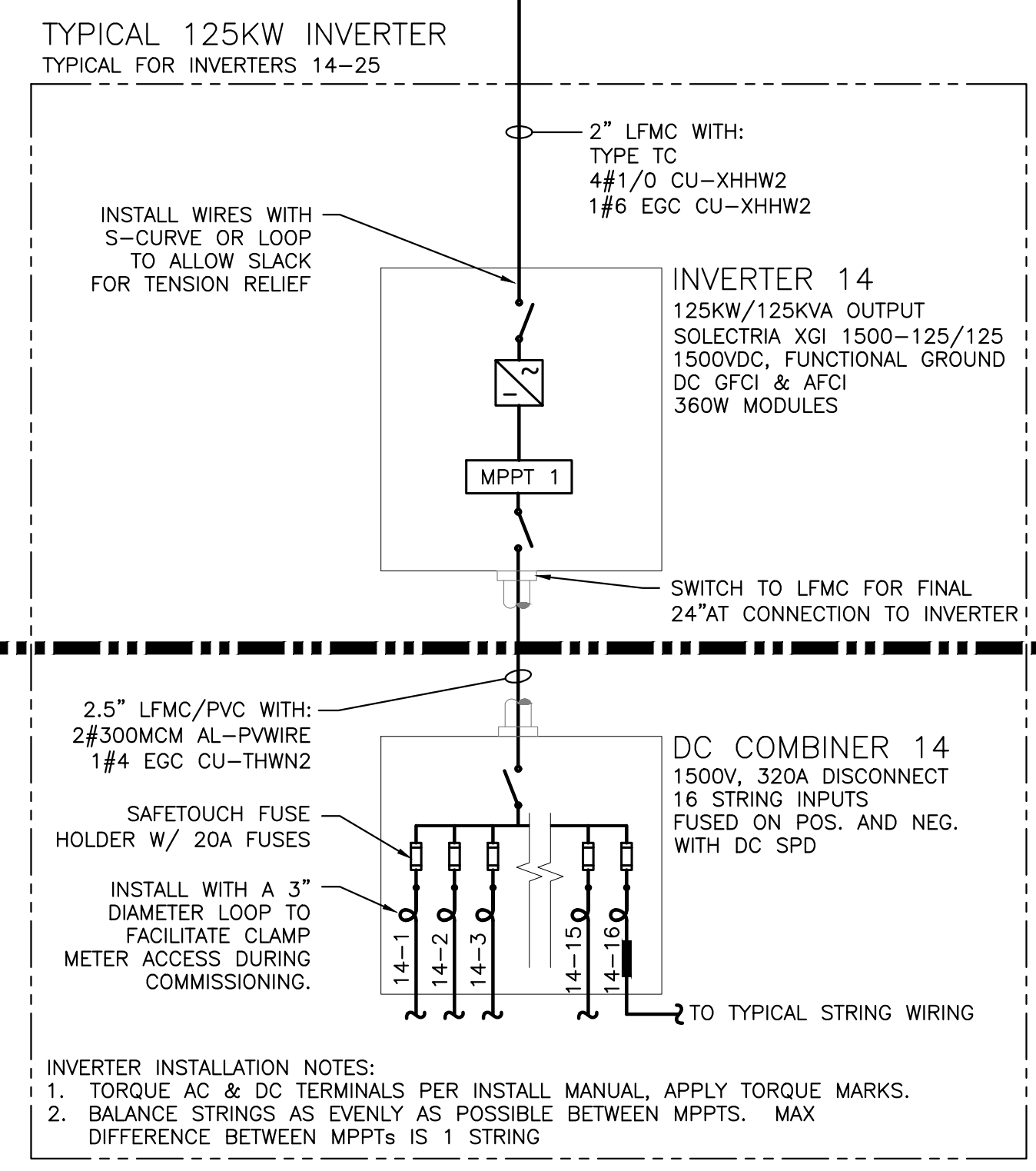
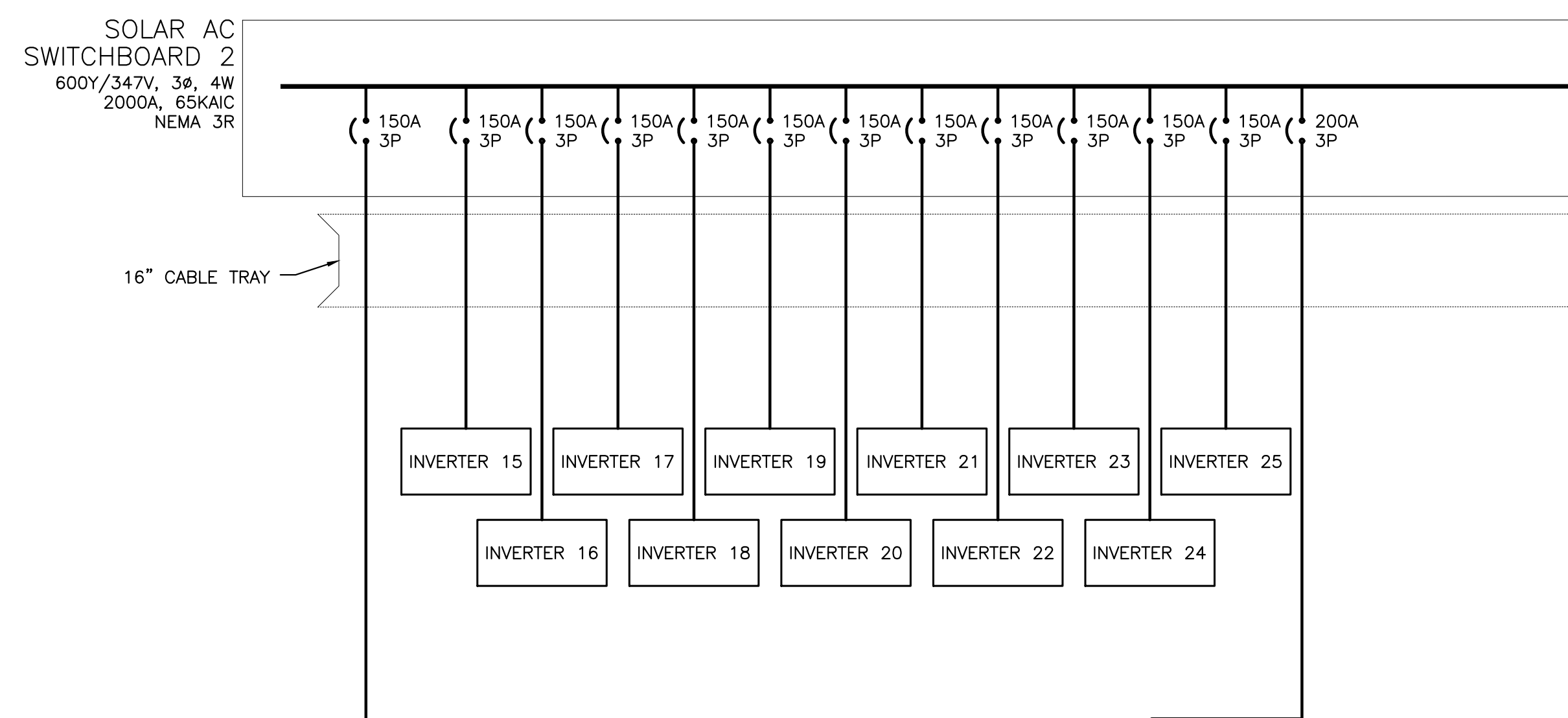
RULER IN INCHES: 0 1 2 3 4 5 6 7 8 9 10 11 12 13 14 15 16 17 18

PLOT DATE: 5/5/2020 5:10 PM

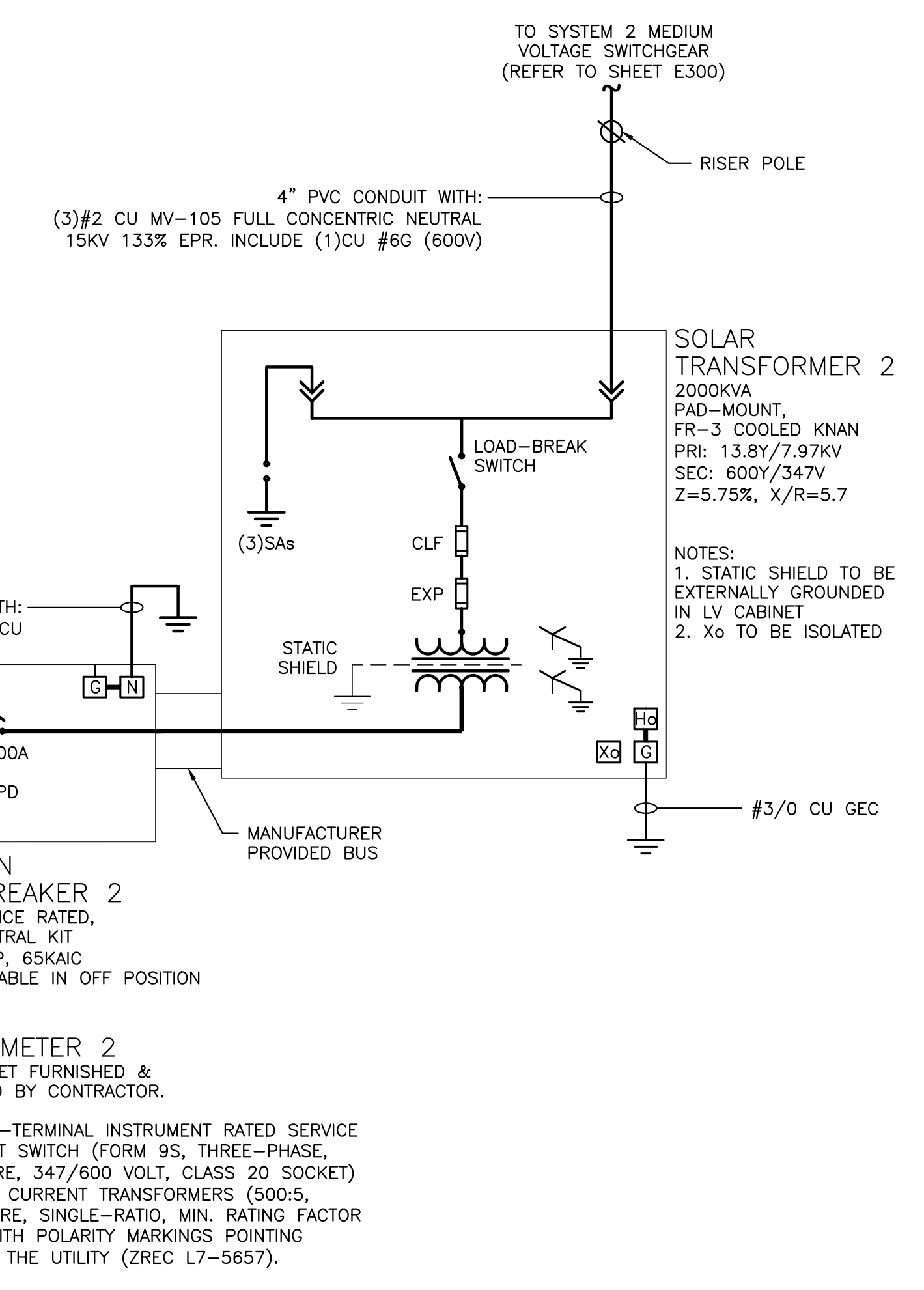
SYSTEM 2 SUMMARY	
DC SYSTEM SIZE	2,629.120 KW
AC SYSTEM SIZE	1,666.000 KW
MODULE	CANADIAN SOLAR CS3W-395PB-AG
MODULE QTY	6656
INVERTER	SOLECTRIA XGI-1500 125/125, 166/166
INVERTER QTY	12, 1

INVERTER INTERNAL PROTECTIVE SETTINGS: UL1741-SA COMPLIANT					
ANSI ELEMENT #	Pickup	Units*	Level	Total Clear Time (sec)	Description
27	304.8	V	88%	2.00	Slow UV
27	173.2	V	50%	1.10	Fast UV
59	381.1	V	110%	2.00	Slow OV
59	415.7	V	120%	0.16	Fast OV
81U-1	56.50	Hz	94%	0.16	Fast UF
81U-2	58.50	Hz	98%	300.00	Slow UF
81O-1	62.00	Hz	103%	0.16	Fast OF
81O-2	61.20	Hz	102%	300.00	Slow OF
79	329.1	V	95%	300.00	Min Reclosing Voltage Value
79	363.7	V	105%	300.00	Max Reclosing Voltage Value
79	59.6	Hz	99%	300.00	Min Reclosing Frequency Value
79	60.5	Hz	101%	300.00	Max Reclosing Frequency Value
INVERTER INTERNAL OPERATION SETTINGS					
PF Set Point	1.00				Power Factor Control
Var Control	OFF				Reactive Power Control
Ramp Rate	10%/1 sec				dkw / dt
Freq Control	OFF				Speed Control

* voltages based off 346.4V Line to Neutral



1 ONE LINE DIAGRAM
E302 SCALE: NONE



DRAWING TITLE
ONE LINE DIAGRAM
- SYSTEM 2

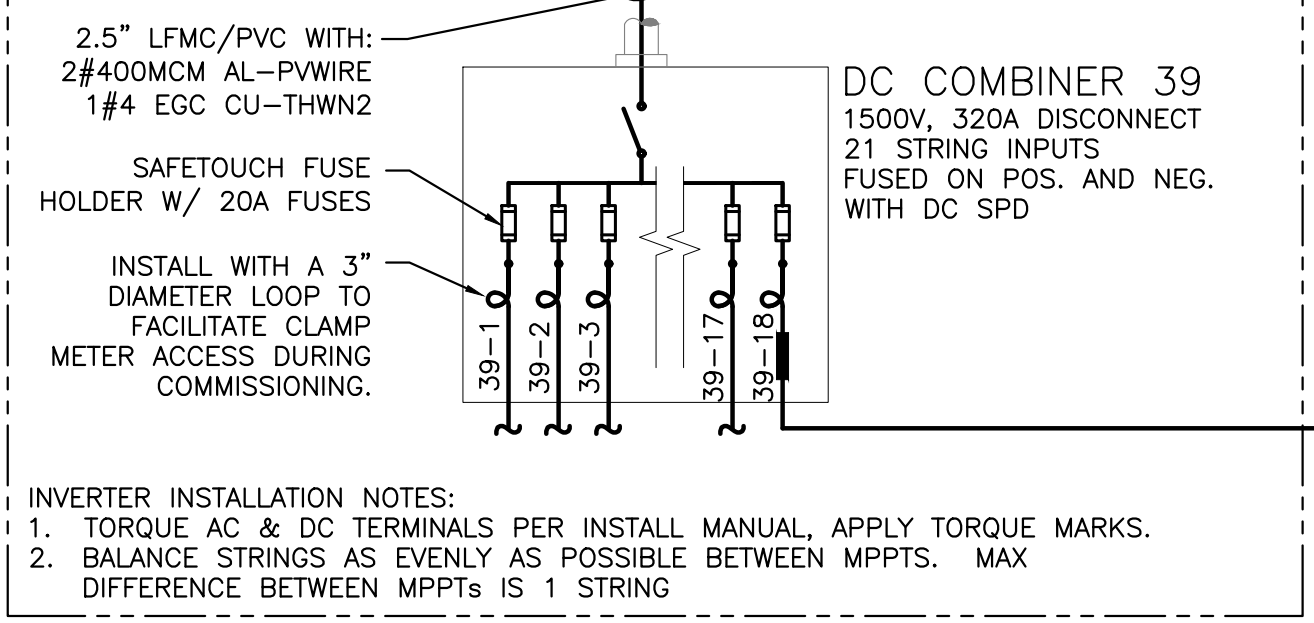
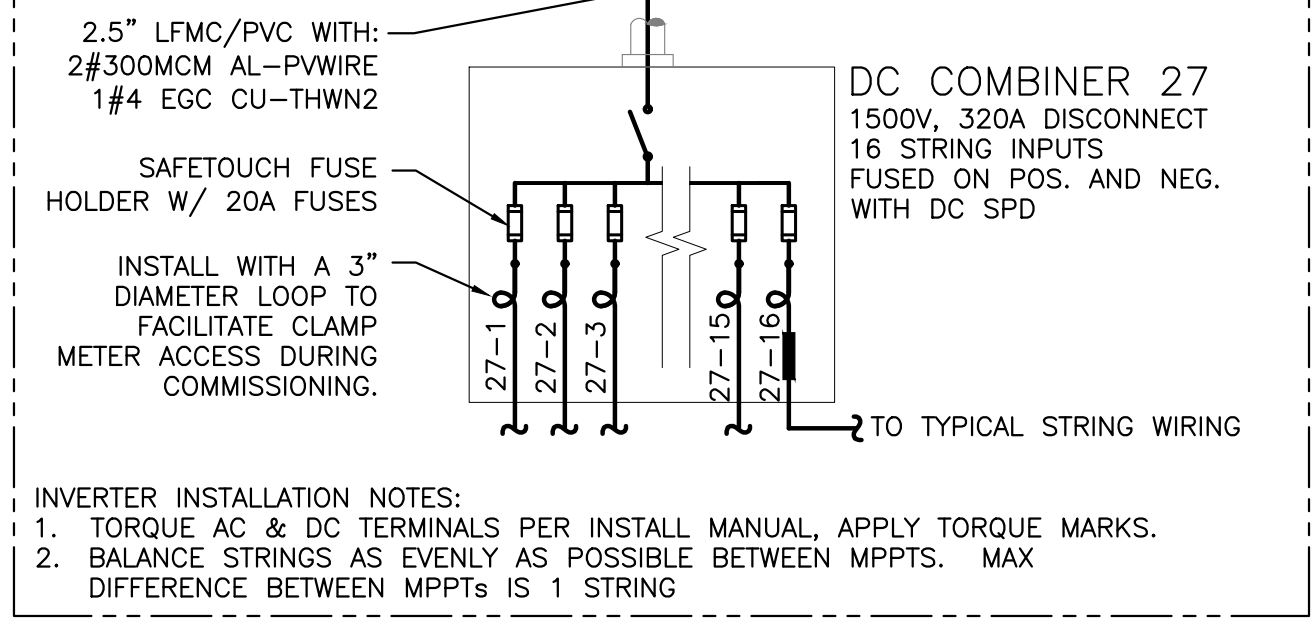
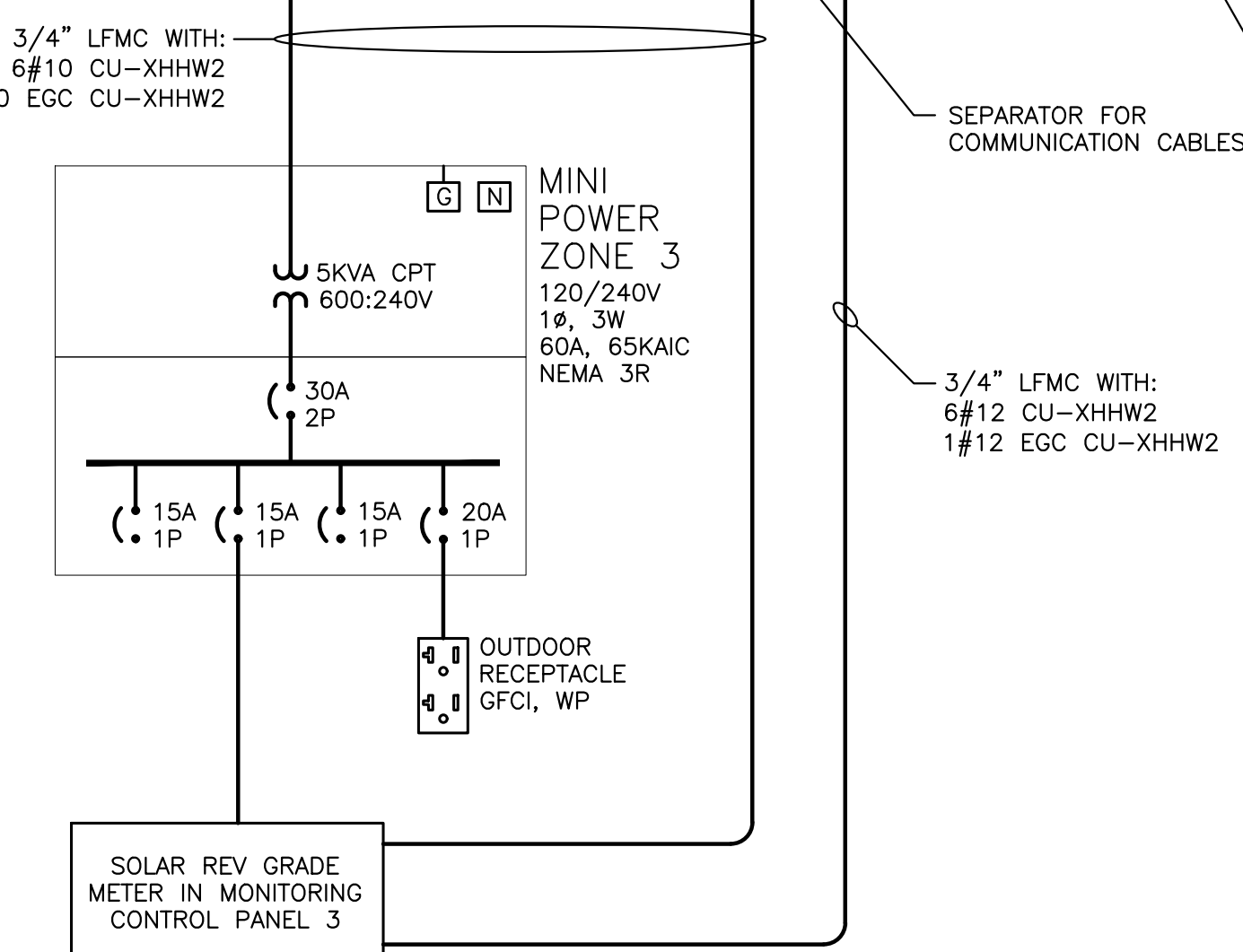
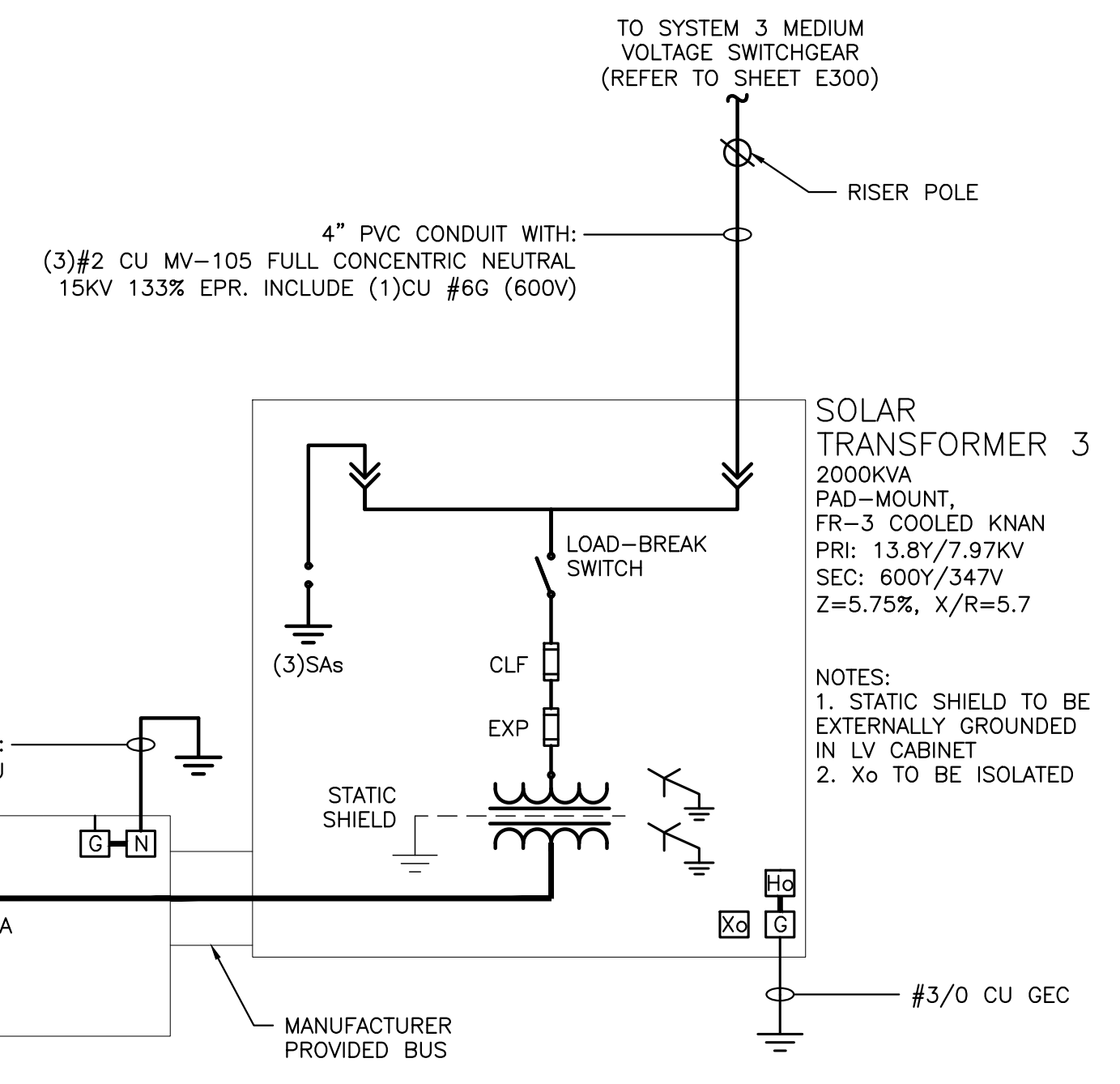
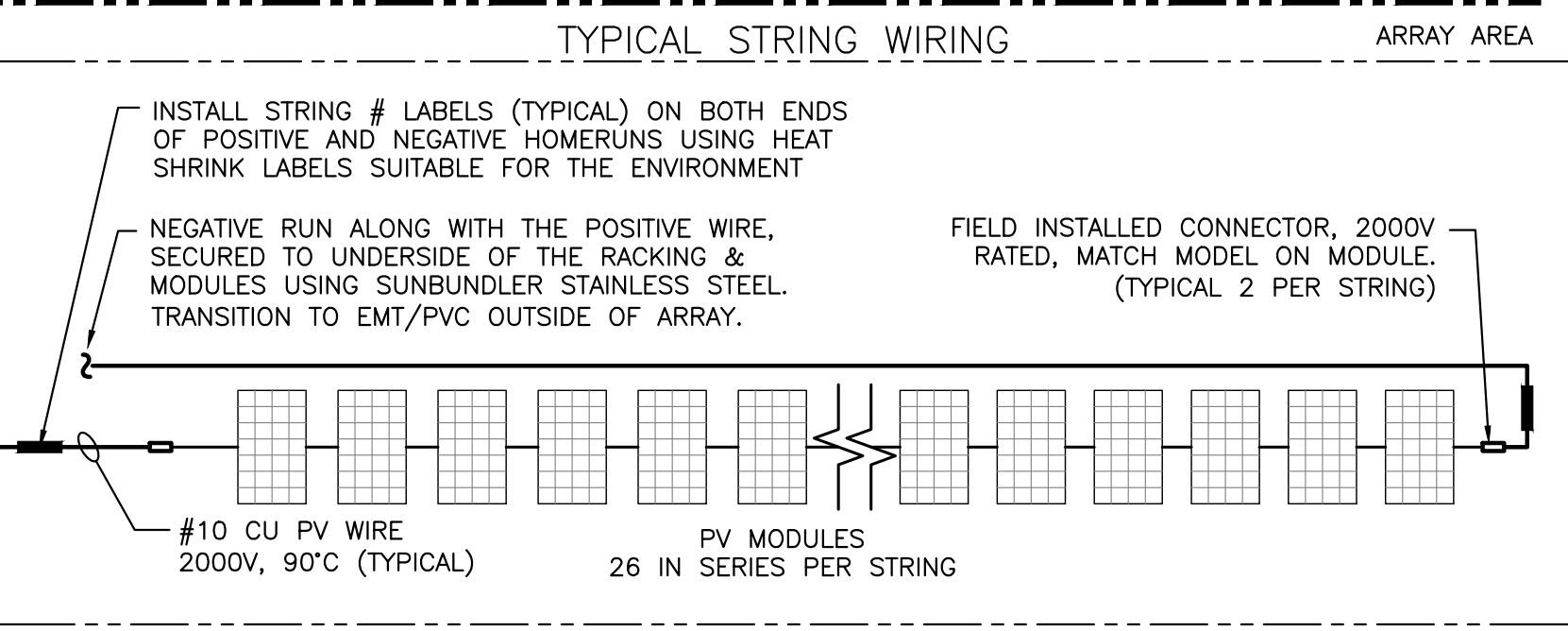
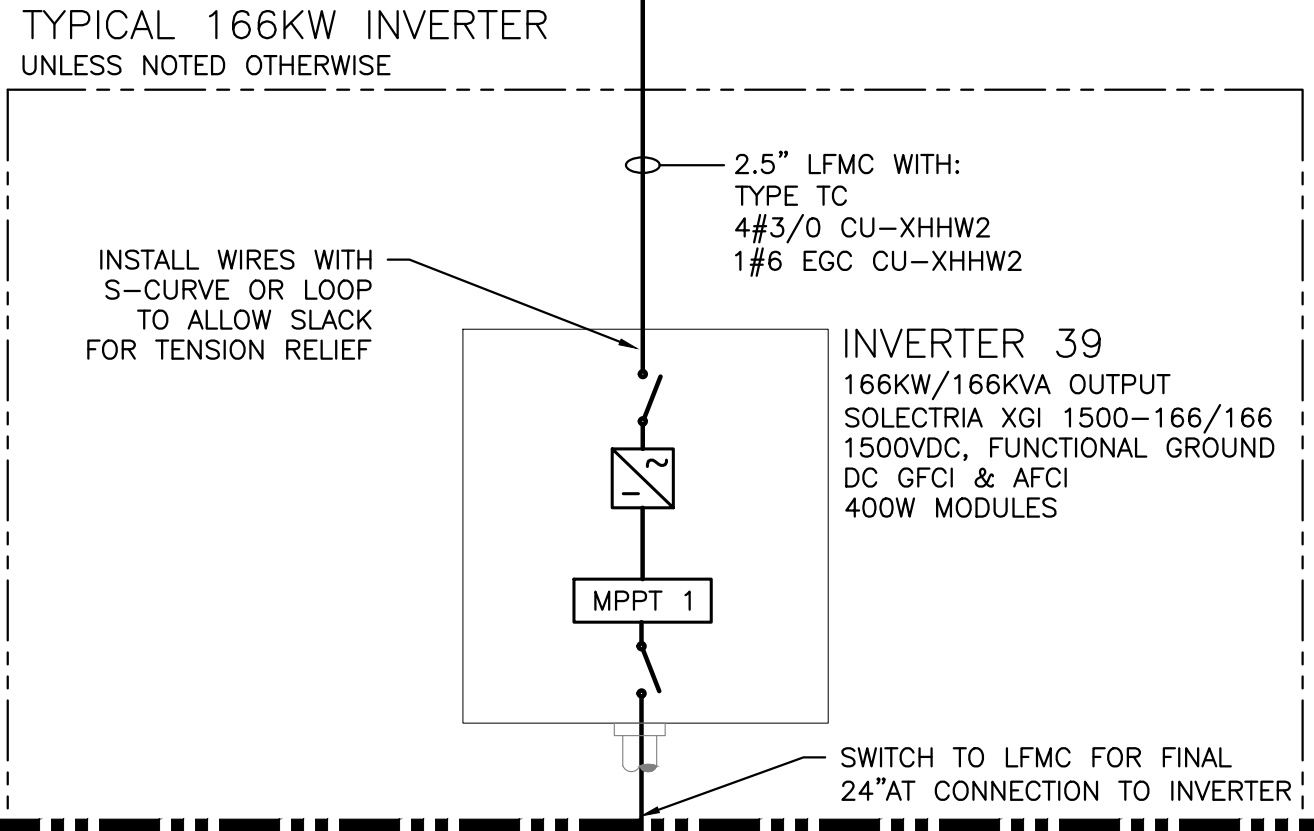
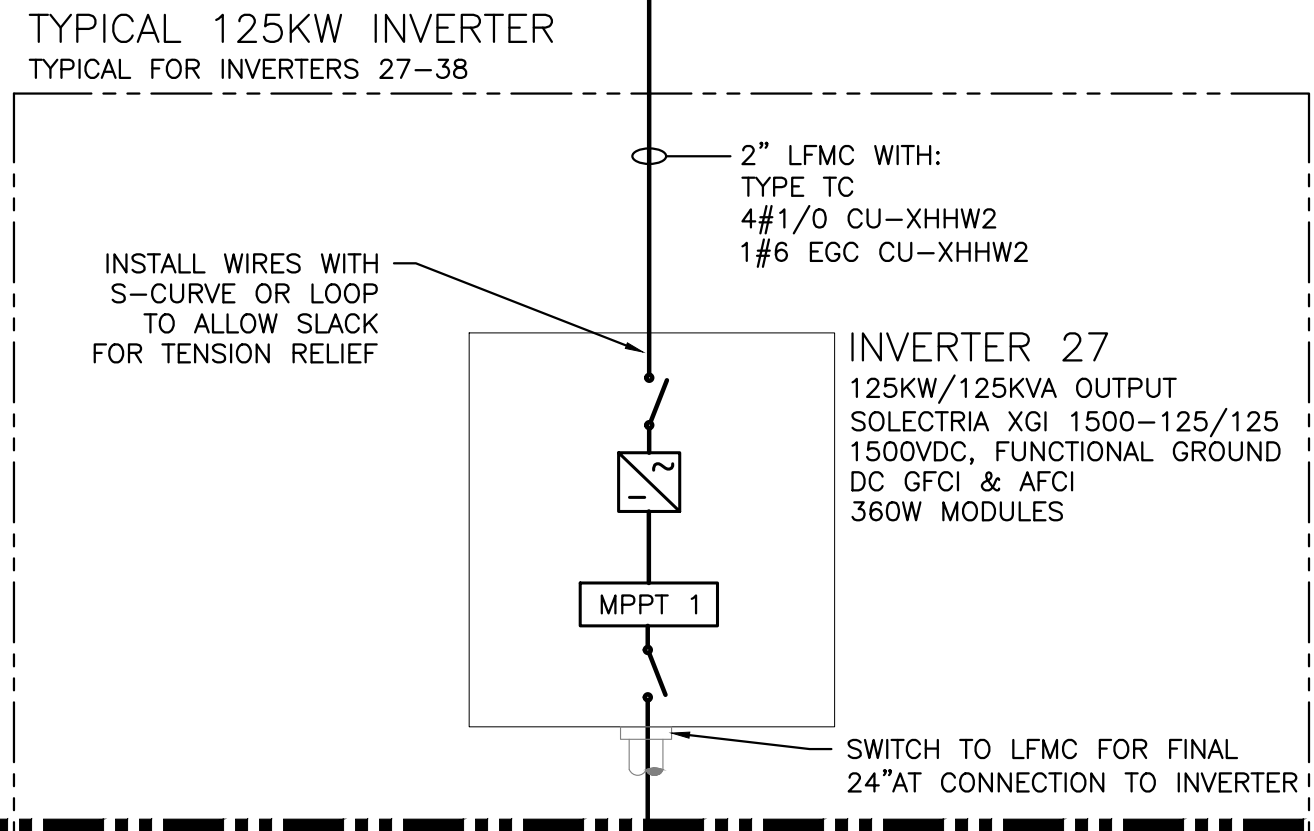
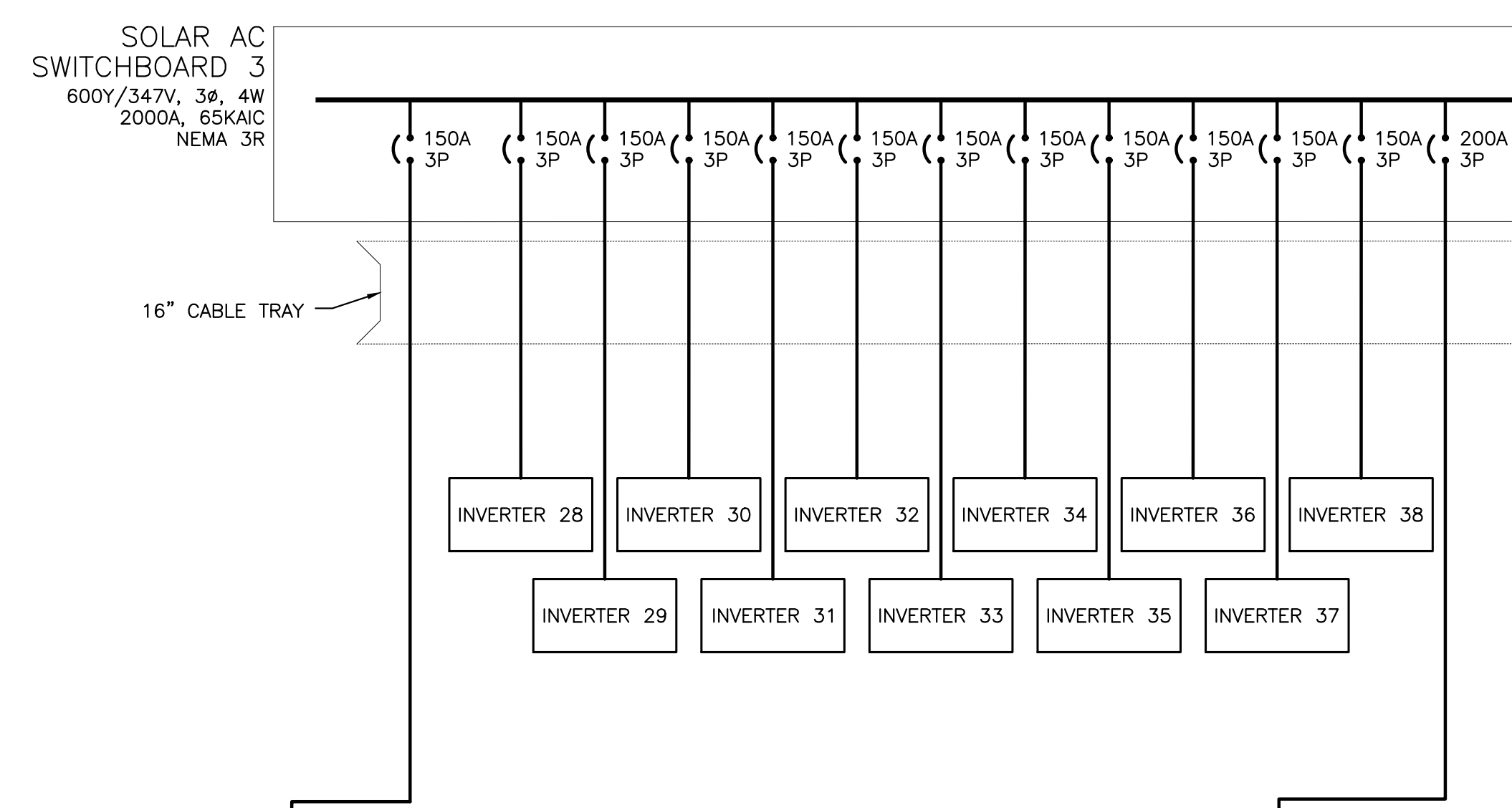
PROJECT: 7887.360KW SOLAR GROUND MOUNT AT SG2 MULNITE 33 WAPPING ROAD, EAST WINDSOR, CT 06016
 DC SYSTEM SIZE: 7887.360 KW
 AC SYSTEM SIZE: 4998.000 KW
 MODULE: CS3W-395PB-AG 385W
 MODULE QUANTITY: 6656
 STRING QUANTITY: 265
 GENERATOR: 35-TILT & 180-2AZIMUTH
 DEVELOPER: Greenskies a Clean Focus company
 180 JOHNSON STREET, MIDDLETOWN, CT 06457
 WWW.GREENSKIES.COM
 DATE: 03/27/2020
 INTERCONNECTION DOCUMENTS
 PM LEG: CHK
 DATE: 03/27/2020
 INTERCONNECTION DOCUMENTS
 BK: AD
 RI:

RULER IN INCHES: 0 1 2 3 4 5 6 7 8 9 10 11 12 13 14 15 16 17 18
 PLOT DATE: 5/5/2020 5:10 PM

SYSTEM 3 SUMMARY	
DC SYSTEM SIZE	2,629.120 KW
AC SYSTEM SIZE	1,666.000 KW
MODULE	CANADIAN SOLAR CS3W-395PB-AG
MODULE QTY	6656
INVERTER	SOLECTRIA XGI-1500 125/125, 166/166
INVERTER QTY	12, 1

INVERTER INTERNAL PROTECTIVE SETTINGS: UL1741-SA COMPLIANT					
ANSI ELEMENT #	Pickup	Units*	Level	Total Clear Time (sec)	Description
27	304.8	V	88%	2.00	Slow UV
27	173.2	V	50%	1.10	Fast UV
59	381.1	V	110%	2.00	Slow OV
59	415.7	V	120%	0.16	Fast OV
81U-1	56.50	Hz	94%	0.16	Fast UF
81U-2	58.50	Hz	98%	300.00	Slow UF
81O-1	62.00	Hz	103%	0.16	Fast OF
81O-2	61.20	Hz	102%	300.00	Slow OF
79	329.1	V	95%	300.00	Min Reclosing Voltage Value
79	363.7	V	105%	300.00	Max Reclosing Voltage Value
79	59.6	Hz	99%	300.00	Min Reclosing Frequency Value
79	60.5	Hz	101%	300.00	Max Reclosing Frequency Value
INVERTER INTERNAL OPERATION SETTINGS					
PF Set Point	1.00				Power Factor Control
Var Control	OFF				Reactive Power Control
Ramp Rate	10%/1 sec				dkw / dt
Freq Control	OFF				Speed Control

* voltages based off 346.4V Line to Neutral



1 ONE LINE DIAGRAM
E303 SCALE: NONE

DRAWING TITLE
ONE LINE DIAGRAM - SYSTEM 3
E303

PROJECT: 7887.360KW SOLAR GROUND MOUNT AT SG2 MULNITE 33 WAPPING ROAD, EAST WINDSOR, CT 06016
 DC SYSTEM SIZE: 7887.360 KW
 AC SYSTEM SIZE: 4998.000 KW
 MODULE: CS3W-395PB-AG
 MODULE QUANTITY: 6656
 STRING QUANTITY: 205
 GENERATOR: 35-TILT & 180-RAZMUTH
 DEVELOPER: Greenskies a Clean Focus company
 180 JOHNSON STREET, MIDDLETOWN, CT 06457
 WWW.GREENSKIES.COM
 DATE: 03/24/2020
 INTERCONNECTION DOCUMENTS
 REVISION DESCRIPTION
 DATE
 PM LENG CHK
 BK AD RT