



STATE OF CONNECTICUT  
*CONNECTICUT SITING COUNCIL*

Ten Franklin Square, New Britain, CT 06051  
Phone: (860) 827-2935 Fax: (860) 827-2950  
E-Mail: [siting.council@ct.gov](mailto:siting.council@ct.gov)  
Web Site: [portal.ct.gov/csc](http://portal.ct.gov/csc)

**VIA ELECTRONIC MAIL**

June 25, 2021

Daniel Patrick, Esq.  
Cuddy & Feder LLP  
445 Hamilton Ave., 14th Floor  
White Plains, NY 10601

RE: **PETITION NO. 1413** – New Cingular Wireless PCS, LLC (AT&T) declaratory ruling, pursuant to Connecticut General Statutes §4-176 and §16-50k, for the proposed installation of a small cell wireless telecommunications facility on a new approximately 30-foot privately-owned light pole to be located at the southeast edge of the parking lot at 242 Hope Street, Stamford, Connecticut.

Dear Attorney Patrick:

The Connecticut Siting Council (Council) is in receipt of your correspondence dated June 22, 2021 regarding a change to the above-referenced declaratory ruling that was issued by the Council on August 14, 2020.

Pursuant to Condition No. 1 of the Council's August 14, 2020 Declaratory Ruling, your request for the relocation of the facility ten feet west of its original location on the southern edge of the parking lot to move it out of the public right-of-way along Hope Street is hereby approved.

This approval applies only to the project changes described in your June 22, 2021 correspondence. Any significant changes to the project require advance Council notification and approval.

Thank you for your attention and cooperation.

Sincerely,

*s/Melanie Bachman*

Melanie Bachman  
Executive Director

c: The Honorable David Martin, Mayor, City of Stamford ([mayorsoffice@stamfordct.gov](mailto:mayorsoffice@stamfordct.gov))



445 Hamilton Avenue, 14th Floor  
White Plains, New York 10601  
T 914 761 1300  
F 914 761 5372  
cuddyfeder.com

Daniel Patrick, Esq.  
[dpatrick@cuddyfeder.com](mailto:dpatrick@cuddyfeder.com)

June 22, 2021

**VIA ELECTRONIC MAIL AND OVERNIGHT FEDEX**

Executive Director Melanie Bachman, Esq.  
Connecticut Siting Council  
10 Franklin Square  
New Britain, Connecticut 06051

Re: Petition No. 1413  
New Cingular Wireless PCS, LLC (AT&T) petition for a declaratory ruling, pursuant to Connecticut General Statutes §4-176 and §16-50k, for the proposed installation of a small cell wireless telecommunications facility on a new approximately 30-foot privately-owned light pole to be located at the southeast edge of the parking lot at 242 Hope Street, Stamford, Connecticut.

---

Dear Executive Director Bachman:

On behalf of New Cingular Wireless PCS LLC (“AT&T”), we submit this letter and enclosures in accordance with condition 1 of the above referenced Petition approved by the Siting Council on August 14, 2020, a copy of which is included in Attachment 1. We respectfully request Council Staff approval of project changes as detailed herein.

**I. Approved Facility in Petition 1413**

AT&T’s facility approved by the Council in Petition 1413 included a new 30’ tall 10” diameter metal pole with a top-mounted 3’ tall and 10” diameter cannister antenna reaching a height of 33’ above grade level, associated radio and electrical service equipment placed within a vented enclosure at the base of the pole, and a light fixture installed on the pole at a height of approximately 27’ above grade level (the “Facility”). Detailed site drawings were submitted with Petition No. 1413. AT&T has not commenced construction of this facility though the approval of Petition 1413 remains in effect.

**II. Proposed Project Changes**

The proposed changes to AT&T’s facility include modification of the location of the Facility at the Premises. Upon producing a formal survey for the Premises to show the pole in the location approved by the Council in Petition 1413, it was determined that the location was on the public right of way and not within the Premises. As a result, the Applicant had to shift the proposed location of the Facility to the new location on the Premises as shown on AT&T’s updated Site



6/22/21

Page 2

Drawings dated June 22, 2020, last revised June 16, 2021, enclosed as Attachment 2. The Facility remains located on the southern edge of the existing parking lot on the Premises but is now proposed approximately 10' to the west which places it outside of the public right of way. No changes to the proposed height or other details of the approved facility are proposed.

### **III. Conclusion**

Given that the project changes will not impact the Council findings in this Petition, AT&T respectfully requests Council Staff approval of the project changes.

Thank you for your consideration and courtesy in this matter.

Very truly yours,

A handwritten signature in blue ink, appearing to read 'DP', is written over the typed name 'Daniel Patrick'.

Daniel Patrick

cc: Mayor David Martin, City of Stamford  
David W. Woods, PhD, AICP, Deputy Director of Planning  
Fairfield County Federal Credit Union (Property Owner)  
AT&T  
Centerline  
Lucia Chiochio, Esq.

# **ATTACHMENT 1**



STATE OF CONNECTICUT  
*CONNECTICUT SITING COUNCIL*

Ten Franklin Square, New Britain, CT 06051  
Phone: (860) 827-2935 Fax: (860) 827-2950  
E-Mail: [siting.council@ct.gov](mailto:siting.council@ct.gov)  
Web Site: [portal.ct.gov/csc](http://portal.ct.gov/csc)

**VIA ELECTRONIC MAIL**

August 14, 2020

Lucia Chiocchio, Esq.  
Cuddy & Feder, LLP  
445 Hamilton Avenue, 14<sup>th</sup> Floor  
White Plains, NY 10601

RE: **PETITION NO. 1413** – New Cingular Wireless PCS, LLC (AT&T) petition for a declaratory ruling, pursuant to Connecticut General Statutes §4-176 and §16-50k, for the proposed installation of a small cell wireless telecommunications facility on a new approximately 30-foot privately-owned light pole to be located at the southeast edge of the parking lot at 242 Hope Street, Stamford, Connecticut.

Dear Attorney Chiocchio:

At a public meeting held on August 13, 2020, the Connecticut Siting Council (Council) considered and ruled that the above-referenced proposal would not have a substantial adverse environmental effect, and pursuant to Connecticut General Statutes § 16-50k, would not require a Certificate of Environmental Compatibility and Public Need with the following conditions:

1. Approval of any project changes be delegated to Council staff;
2. Unless otherwise approved by the Council, if the facility authorized herein is not fully constructed within three years from the date of the mailing of the Council's decision, this decision shall be void, and the facility owner/operator shall dismantle the facility and remove all associated equipment or reapply for any continued or new use to the Council before any such use is made. The time between the filing and resolution of any appeals of the Council's decision shall not be counted in calculating this deadline. Authority to monitor and modify this schedule, as necessary, is delegated to the Executive Director. The facility owner/operator shall provide written notice to the Executive Director of any schedule changes as soon as is practicable;
3. Any request for extension of the time period to fully construct the facility shall be filed with the Council not later than 60 days prior to the expiration date of this decision and shall be served on all parties and intervenors, if applicable, and the City of Stamford;
4. Within 45 days after completion of construction, the Council shall be notified in writing that construction has been completed;
5. Any nonfunctioning antenna and associated antenna mounting equipment on this facility owned and operated by the Petitioner shall be removed within 60 days of the date the antenna ceased to function;

6. The facility owner/operator shall remit timely payments associated with annual assessments and invoices submitted by the Council for expenses attributable to the facility under Conn. Gen. Stat. §16-50v;
7. This Declaratory Ruling may be transferred, provided the facility owner/operator/transferor is current with payments to the Council for annual assessments and invoices under Conn. Gen. Stat. §16-50v and the transferee provides written confirmation that the transferee agrees to comply with the terms, limitations and conditions contained in the Declaratory Ruling, including timely payments to the Council for annual assessments and invoices under Conn. Gen. Stat. §16-50v; and
8. If the facility owner/operator is a wholly owned subsidiary of a corporation or other entity and is sold/transferred to another corporation or other entity, the Council shall be notified of such sale and/or transfer and of any change in contact information for the individual or representative responsible for management and operations of the facility within 30 days of the sale and/or transfer.

This decision is under the exclusive jurisdiction of the Council and is not applicable to any other modification or construction. All work is to be implemented as specified in the petition dated June 11, 2020 and additional information received on June 24, 2020 and July 30, 2020.

Enclosed for your information is a copy of the staff report on this project.

Sincerely,

*s/Melanie A. Bachman*

Melanie A. Bachman  
Executive Director

MAB/RDM/lm

Enclosure: Staff Report dated August 13, 2020

c: The Honorable David Martin, Mayor, City of Stamford  
Ralph Blessing, Land Use Bureau Chief, City of Stamford



# STATE OF CONNECTICUT *CONNECTICUT SITING COUNCIL*

Ten Franklin Square, New Britain, CT 06051  
Phone: (860) 827-2935 Fax: (860) 827-2950  
E-Mail: [siting.council@ct.gov](mailto:siting.council@ct.gov)  
Web Site: [portal.ct.gov/csc](http://portal.ct.gov/csc)

**Petition No. 1413**  
**New Cingular Wireless PCS, LLC**  
**Small Cell Facility**  
**242 Hope Street, Stamford, Connecticut**  
**Staff Report**  
**August 13, 2020**

## **Introduction**

On June 11, 2020, the Connecticut Siting Council (Council) received a petition (Petition) from New Cingular Wireless PCS, LLC (AT&T) for a declaratory ruling, pursuant to Connecticut General Statutes §4-176 and §16-50k, for the proposed installation of a small cell wireless telecommunications facility at 242 Hope Street in Stamford. The small cell installation would be installed on a new metal pole in the parking lot of a commercial property. It would provide reliable wireless service to AT&T customers and emergency service providers in the surrounding area.

On June 10, 2020, AT&T notified the City of Stamford (City), state and federal agencies, and property abutters of the proposed project.

On June 12, 2020, the Council sent correspondence to the City stating that the Council has received the Petition and invited the municipality to contact the Council with any questions or comments by July 11, 2020. No comments from the City were received.

On June 16, 2020, the Council deemed the petition incomplete and requested that AT&T provide proof of service to two abutters, provide an abutters map and clarify the project location on or before July 16, 2020. On June 24, 2020, AT&T responded to the Council's correspondence and submitted supplemental Project information, including a revised site plan that relocated the facility approximately 12 feet to the west from a landscape strip adjacent to Hope Street to a new location in the southeast corner of the on-site parking lot. By letter dated June 26, 2020, the Council deemed the petition complete pursuant to Regulations of Connecticut State Agencies (RCSA) § 16-50j-39a.

The Council submitted interrogatories to AT&T on July 20, 2020. AT&T responded to the Council's interrogatories on July 30, 2020.

## **Jurisdiction**

Pursuant to CGS §16-50i(a)(6), the Council has exclusive jurisdiction over telecommunications towers, including associated equipment, owned or operated by the state, a public service company or a certified telecommunications provider or used in a cellular system.

Under Regulations of Connecticut State Agencies §16-50j-2a (30), "Tower" means a structure, whether free standing or attached to a building or another structure, that has a height greater than its diameter and that is high relative to its surroundings, or that is used to support antennas for sending or receiving radio frequency signals, or for sending or receiving signals to or from satellites, or any of these, which is or is to be:

- (A) **used principally to support one or more antennas** for receiving or sending radio frequency signals, or for sending or receiving signals to or from satellites, or any of these, and
- (B) owned or operated by the state, a public service company as defined in Section 16-1 of the Connecticut General Statutes, or a certified telecommunications provider, or used in a cellular system, as defined in Section 16-50i(a) of the Connecticut General Statutes. (Emphasis added).

The proposed metal pole will be used principally to support the small cell facility. It will be owned and operated by AT&T, a certified telecommunications provider. Thus, the Council has jurisdiction over the proposed small cell facility.

### **Proposed Small Cell Facility**

AT&T's proposed facility would provide network coverage and/or capacity relief to residential and commercial areas surrounding the site in the 1900 MHz/2100 MHz/5200 MHz LTE frequency range. Connecticut Department of Transportation statistics indicate Hope Street is a significant arterial road with thousands of daily vehicular trips.

The proposed facility is located on a 0.17 acre commercial property in the CN (neighborhood business) zone. The property is developed with a commercial building that is set back from Hope Street with a parking lot that fronts Hope Street.

The proposed small cell facility consists of a 30-foot tall, 10-inch diameter metal pole installed on a pier foundation at the southeast edge of the parking lot. A canister antenna would be installed at the top of the metal pole, with the top of the canister antenna extending to a height approximately 33 feet above grade. Associated equipment would be installed in a 2.5-foot wide, 4.6-foot high vented enclosure at the base of the pole. Electrical and telephone service would be provided by underground electric/fiber lines with exact routing to be determined by Eversource. The utility meter for the proposed facility would be mounted at the power source location. A light fixture would also be installed on the pole at a height of 27 feet above grade that would serve to illuminate the parking lot.

No backup power is proposed for this small cell facility. Commercial Mobile Radio Service (CMRS) providers are licensed by and are under the jurisdiction and authority of the Federal Communications Commission (FCC). At present, no standards for backup power for CMRS providers have been promulgated by the FCC. Every year since 2006, AT&T, T-Mobile, and Verizon have certified their compliance with the CTIA Business Continuity/Disaster Recovery Program and the Communications Security, Reliability and Interoperability Council standards and best practices to ensure network reliability during power outages.

### **Public Safety**

A Professional Engineer duly licensed in the State of Connecticut has certified that the proposed pole and foundation would be structurally adequate to support the proposed loading.

A 4-foot minimum clearance would be maintained between the top of the canister and adjacent overhead utility lines that extend along Hope Street. The existing utility poles along Hope Street were not considered for telecommunication use because the poles already support electric infrastructure such as transformers, switches, regulators, reclosers, and capacitors.



The calculated power density would be 0.67 percent of the applicable limit using a -10 dB off-beam adjustment.

A radio frequency safety sign with an emergency contact number would be placed at the bottom of the pole. A second warning sign would be placed below the canister antenna.

### **Environmental**

The surrounding area is heavily developed. The proposed facility is approximately 70 feet to the nearest residence.

The project is located in a previously disturbed area and consists entirely of a paved area. No environmental impact is anticipated.

Visual impact of the proposed facility is not expected to be significant due to the relatively low height of the pole, its narrow profile and a gray finish for the antenna, pole and support base. The proposed pole is consistent with the commercial character of the area that includes above-ground utility infrastructure and adjacent commercial buildings. No new overhead lines are proposed as necessary utilities would be installed underground.

### **Facility Construction**

Construction of the proposed small cell facility is anticipated to take 8 days with work hours from 7 AM to 8 PM weekdays and 8 AM to 8 PM on Saturday, which is consistent with City ordinances.

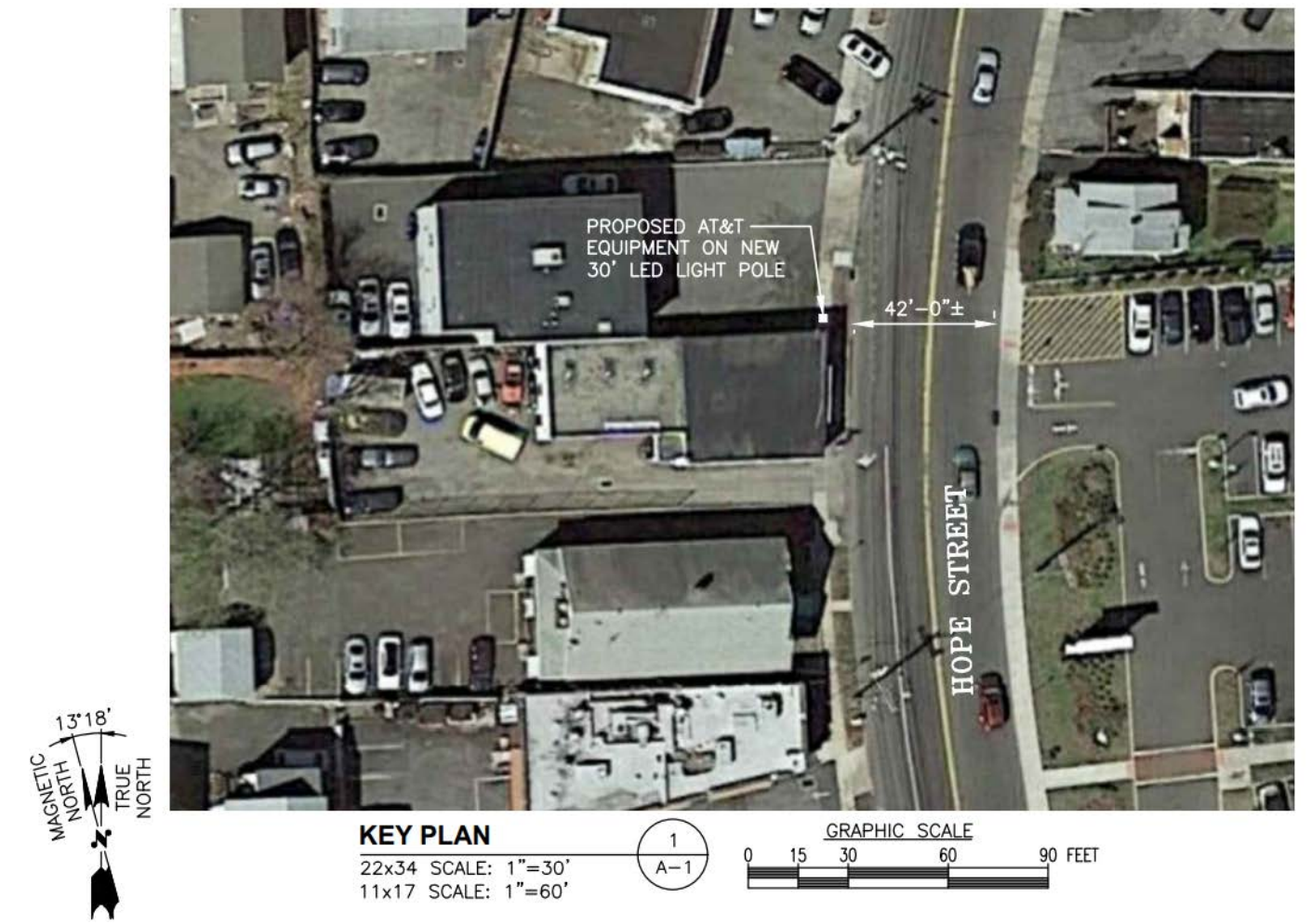
### **Conclusion**

AT&T contends that this proposed project would not have a substantial adverse environmental impact.

If approved, staff recommends the following condition:

1. Approval of any project changes be delegated to Council staff.

**Figure 1. Proposed Site Location**

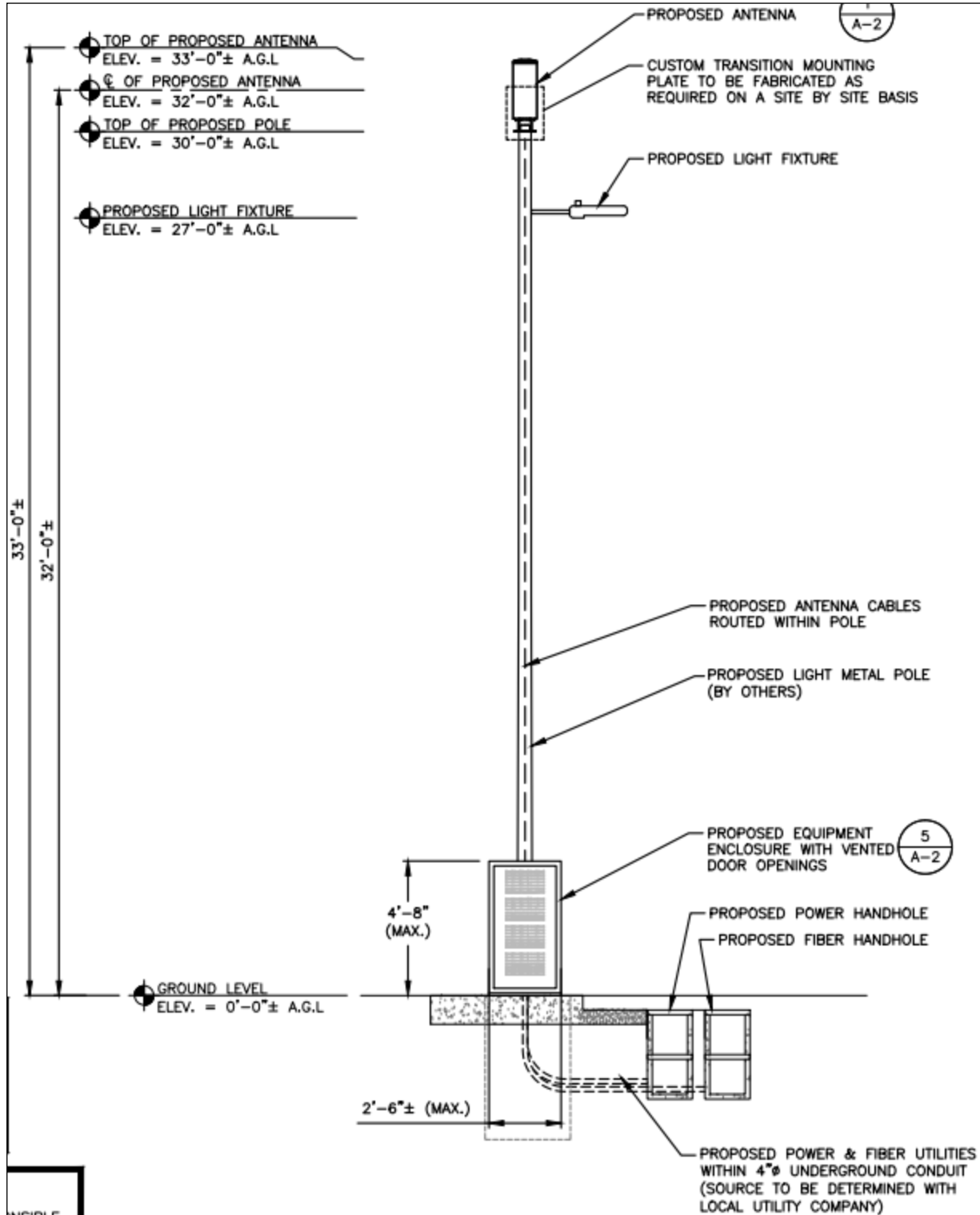


**Figure 2. Proposed Small Cell Facility Simulation**



**VIEW WEST FROM HOPE STREET**

Figure 3. Facility Elevation Site Plan



## **ATTACHMENT 2**



**AT&T SITE ID: CRAN\_STAMFORD\_22**  
**242 HOPE STREET**  
**STAMFORD, CT 06906**

**FOR ZONING (NOT FOR CONSTRUCTION)**

500 ENTERPRISE DRIVE, SUITE 3A  
 ROCKY HILL, CT 06067

750 WEST CENTER STREET  
 SUITE #301  
 WEST BRIDGEWATER, MA 02379

45 BEECHWOOD DRIVE  
 N. ANDOVER, MA 01845  
 TEL: (978) 557-5553  
 FAX: (978) 336-5586



CHECKED BY: AT

APPROVED BY: DPH

SUBMITTALS			
REV.	DATE	DESCRIPTION	BY
2	06/16/21	ISSUED FOR REVIEW	MR
1	03/10/21	ISSUED FOR REVIEW	MR
A	06/22/20	ISSUED FOR REVIEW	MR

CLUSTER AND NODE NUMBER:  
 CRAN\_STAMFORD\_22

SITE ID:  
 CRAN\_STAMFORD\_22

SITE ADDRESS:  
 242 HOPE STREET  
 STAMFORD, CT 06906  
 FAIRFIELD COUNTY

SHEET TITLE  
 TITLE SHEET

SHEET NUMBER  
**T-1**

**SHEET INDEX**

SHEET NO.	DESCRIPTION	REV.
T-1	TITLE SHEET	2
C-1	SITE PLAN	2
A-1	KEY PLAN AND ELEVATION	2
A-2	EQUIPMENT DETAILS	2

**PROJECT DESCRIPTION**

1. INSTALLATION OF ANTENNA AND ASSOCIATED EQUIPMENT ON PROPOSED LIGHT POLE.
2. THIS IS AN UNMANNED AND RESTRICTED ACCESS EQUIPMENT SITE AND WILL BE USED FOR THE TRANSMISSION OF RADIO SIGNALS FOR THE PURPOSE OF IMPROVING CELLULAR AND WIRELESS INTERNET SERVICE.

**PROJECT SUMMARY**

SITE ADDRESS: 242 HOPE STREET  
 STAMFORD, CT 06906

COUNTY: FAIRFIELD

LATITUDE: 41.068953° N

LONGITUDE: 73.527008° W

STRUCTURE TYPE: LIGHT POLE

ARCHITECT/ENGINEER: HUDSON DESIGN GROUP LLC  
 45 BEECHWOOD DRIVE  
 NORTH ANDOVER, MA 01845

**VICINITY MAP (NOT TO SCALE)**



**DRIVING DIRECTIONS**

FROM ROCKY HILL, CT:  
 HEAD SOUTHEAST TOWARD CAPITAL BLVD. TURN LEFT ONTO STATE HWY 411. TURN LEFT TO MERGE ONTO I-91 S. TAKE EXIT 17 TO MERGE ONTO CT-15 S/WILBUR CROSS PKWY. TAKE EXIT 36 FOR CT-106/OLD STAMFORD RD. TURN RIGHT ONTO CT-106 S/OLD STAMFORD RD. TURN RIGHT ONTO MIDDLESEX RD. CONTINUE ONTO GLENBROOK RD. CONTINUE ONTO CHURCH ST. TURN LEFT ONTO HOPE ST.

**GENERAL NOTES**

1. THIS DOCUMENT IS THE CREATION, DESIGN, PROPERTY AND COPYRIGHTED WORK OF AT&T. ANY DUPLICATION OR USE WITHOUT EXPRESS WRITTEN CONSENT IS STRICTLY PROHIBITED. DUPLICATION AND USE BY GOVERNMENT AGENCIES FOR THE PURPOSES OF CONDUCTING THEIR LAWFULLY AUTHORIZED REGULATORY AND ADMINISTRATIVE FUNCTIONS IS SPECIFICALLY ALLOWED.
2. THE FACILITY IS AN UNMANNED PRIVATE AND SECURED EQUIPMENT INSTALLATION. IT IS ONLY ACCESSED BY TRAINED TECHNICIANS FOR PERIODIC ROUTINE MAINTENANCE AND THEREFORE DOES NOT REQUIRE ANY WATER OR SANITARY SEWER SERVICE. THE FACILITY IS NOT GOVERNED BY REGULATIONS REQUIRING PUBLIC ACCESS PER ADA REQUIREMENTS.
3. CONTRACTOR SHALL VERIFY ALL PLANS AND EXISTING DIMENSIONS AND CONDITIONS ON THE JOB SITE AND SHALL IMMEDIATELY NOTIFY THE AT&T MOBILITY REPRESENTATIVE IN WRITING OF DISCREPANCIES BEFORE PROCEEDING WITH THE WORK OR BE RESPONSIBLE FOR SAME.

*Daniel P. Hamm*

IMMEDIATE ADJOINING PROPERTY OWNER INFORMATION			
PARCEL	OWNER	PHYSICAL ADDRESS	MAILING ADDRESS
004 / 2171	LASALANDRA GRACE M FAMILY LTD ET AL C/O DEPAOLO FAMILY LTD PTNSP 23.5%	229 HOPE STREET STAMFORD, CT 06906	188 INTERVALE ROAD STAMFORD, CT 06905
000 / 1277	LOVALLO JOSEPH J.	236 HOPE STREET STAMFORD, CT 06906	67 SKYMEADOW DRIVE STAMFORD, CT 06903
001 / 6299	FAIRFIELD COUNTY FEDERAL C/O CREDIT UNION	242 HOPE STREET STAMFORD, CT 06906	1515 BLACK ROCK TURNPIKE FAIRFIELD, CT 06825
000 / 3283	CARRIER LOUIS C	241 HOPE STREET STAMFORD, CT 06906	241 HOPE STREET STAMFORD, CT 06906
001 / 1655	250 HOPE STREET LLC	250 HOPE STREET STAMFORD, CT 06906	250 HOPE STREET STAMFORD, CT 06906

APPROXIMATE COORDINATES: LAT: 41.068953° N  
LONG: 73.527008° W



*Daniel P. Hamm*

CHECKED BY: AT

APPROVED BY: DPH

SUBMITTALS			
REV.	DATE	DESCRIPTION	BY
2	06/16/21	ISSUED FOR REVIEW	MR
1	03/10/21	ISSUED FOR REVIEW	MR
A	06/22/20	ISSUED FOR REVIEW	MR

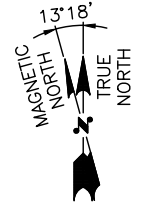
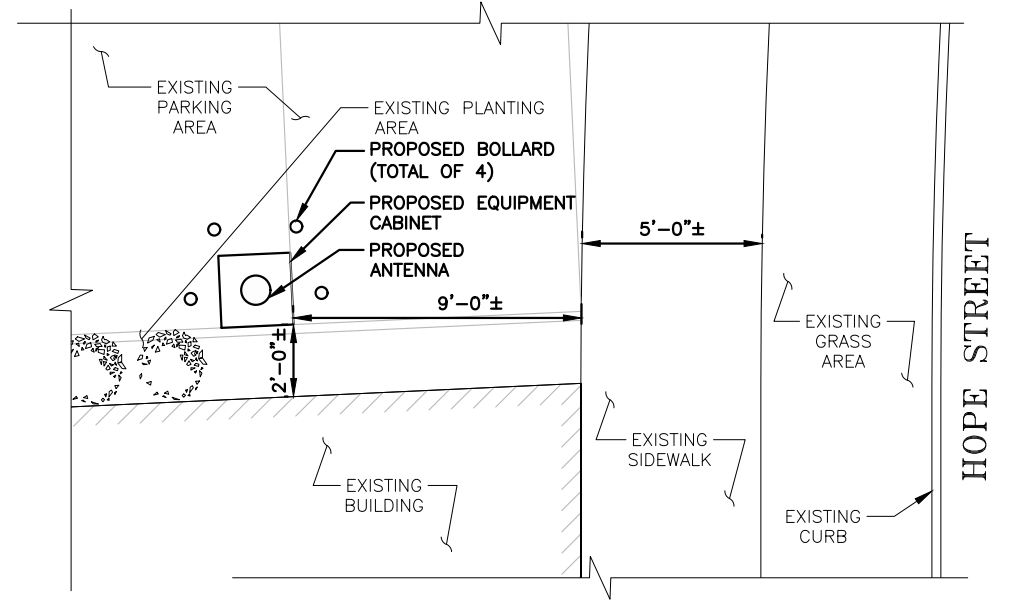
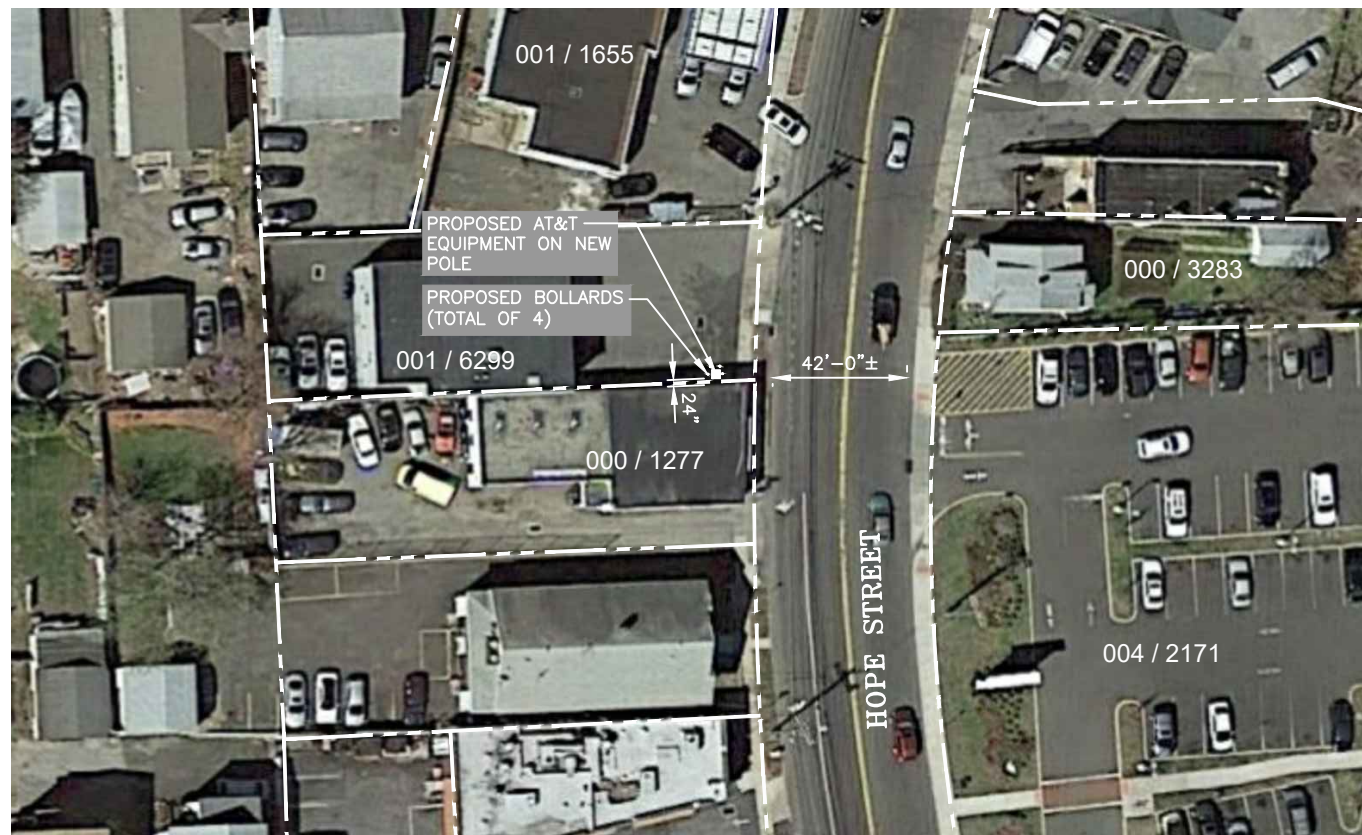
CLUSTER AND NODE NUMBER:  
CRAN\_STAMFORD\_22

SITE ID:  
CRAN\_STAMFORD\_22

SITE ADDRESS:  
242 HOPE STREET  
STAMFORD, CT 06906  
FAIRFIELD COUNTY

SHEET TITLE  
SITE PLAN

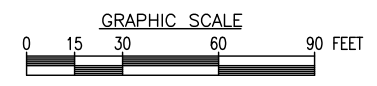
SHEET NUMBER  
C-1

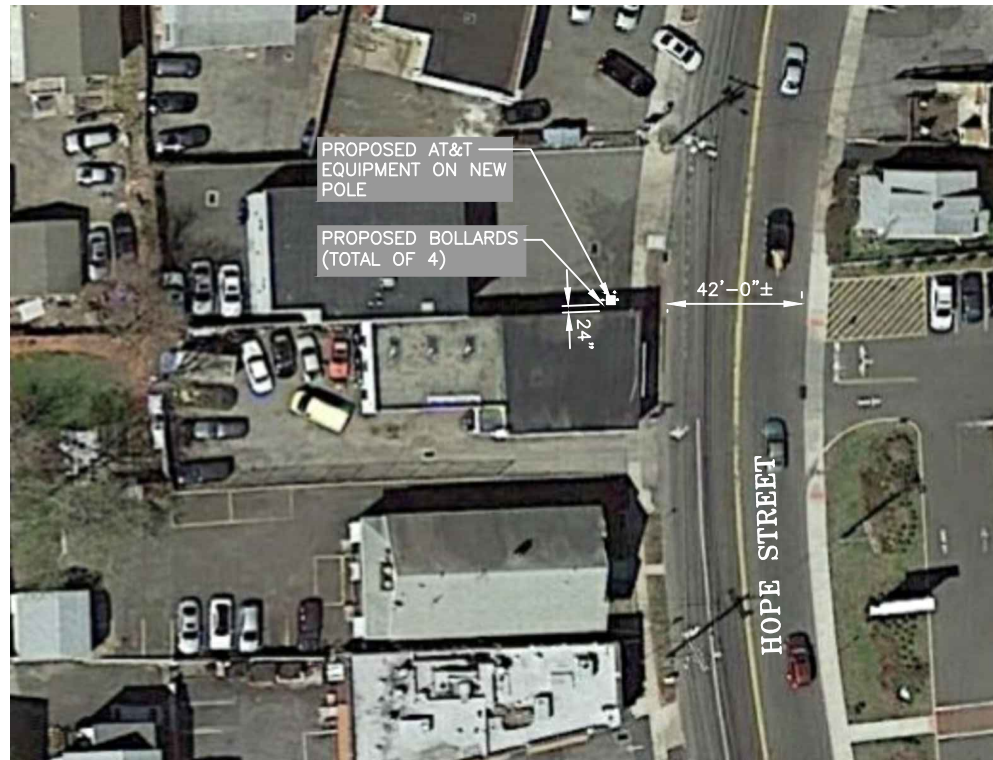


EQUIPMENT ORIENTATION PLAN 2  
SCALE: N.T.S. C-1

INFORMATION SHOWN HEREON IS BASED ON EXISTING INFORMATION OBTAINED FROM TAX MAPS, MUNICIPAL GIS WEBSITE, & AERIAL IMAGERY. THE INFORMATION SHOWN IS NOT A RIGHT OF WAY OR BOUNDARY SURVEY AND DOES NOT SATISFY THE REQUIREMENTS FOR A BOUNDARY SURVEY. A SITE SURVEY WAS NOT PERFORMED BY HUDSON DESIGN GROUP, LLC

SITE PLAN  
22x34 SCALE: 1"=30'  
11x17 SCALE: 1"=60'  
1  
C-1





**NOTE:**

1. THE WIRELESS COMMUNICATIONS OPERATOR IS RESPONSIBLE FOR PLACING A WARNING SIGN ON THE POWER SUPPLY COMMUNICATING THE RF EMISSIONS IN COMPLIANCE WITH THE CURRENT EDITION OF IEEE STANDARD C95.2. THIS SIGN MUST ALSO HAVE A 24-HOUR CONTACT PHONE NUMBER IN CASE OF EMERGENCY. THIS NUMBER MUST BE VISIBLE FROM THE GROUND.

**NOTE:**

REFER TO STRUCTURAL ANALYSIS BY: HUDSON DESIGN GROUP, LLC, DATED: JUNE 5, 2020 FOR THE CAPACITY OF THE STRUCTURE TO SUPPORT THE PROPOSED EQUIPMENT.

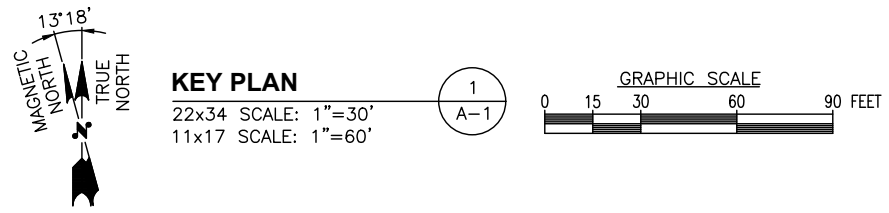
APPROXIMATE COORDINATES: LAT: 41.068953° N LONG: 73.527008° W

**NOTE:**

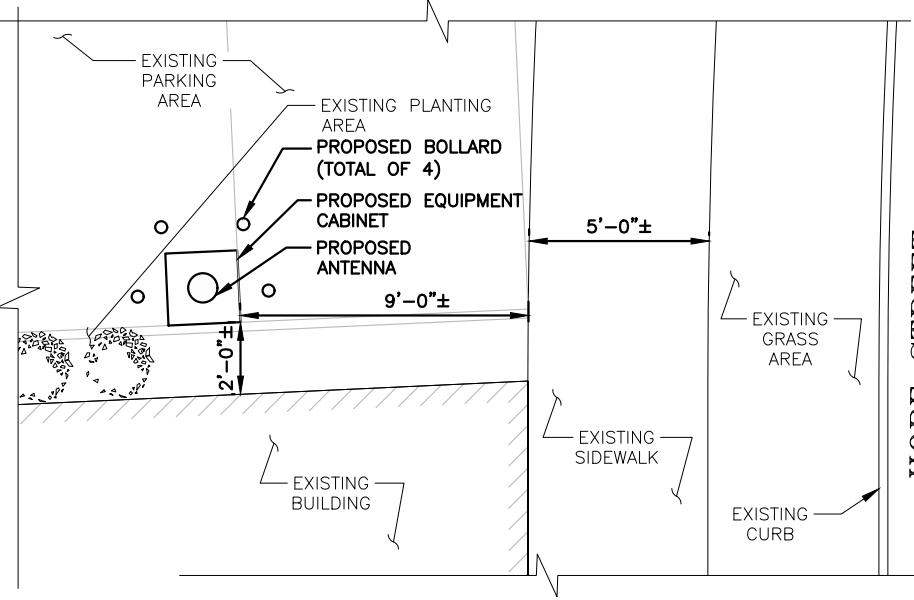
1. GROUND ROD(S) SHALL BE INSTALLED IN UNDISTURBED SOIL, 12" MIN. FROM THE POLE. TOP OF GROUND ROD(S) SHALL BE 24" MIN. BELOW FINISHED GRADE OR 6" BELOW FROST LINE. THE POLE GROUND SHALL HAVE A MAXIMUM RESISTANCE OF 25 OHMS.

**NOTES:**

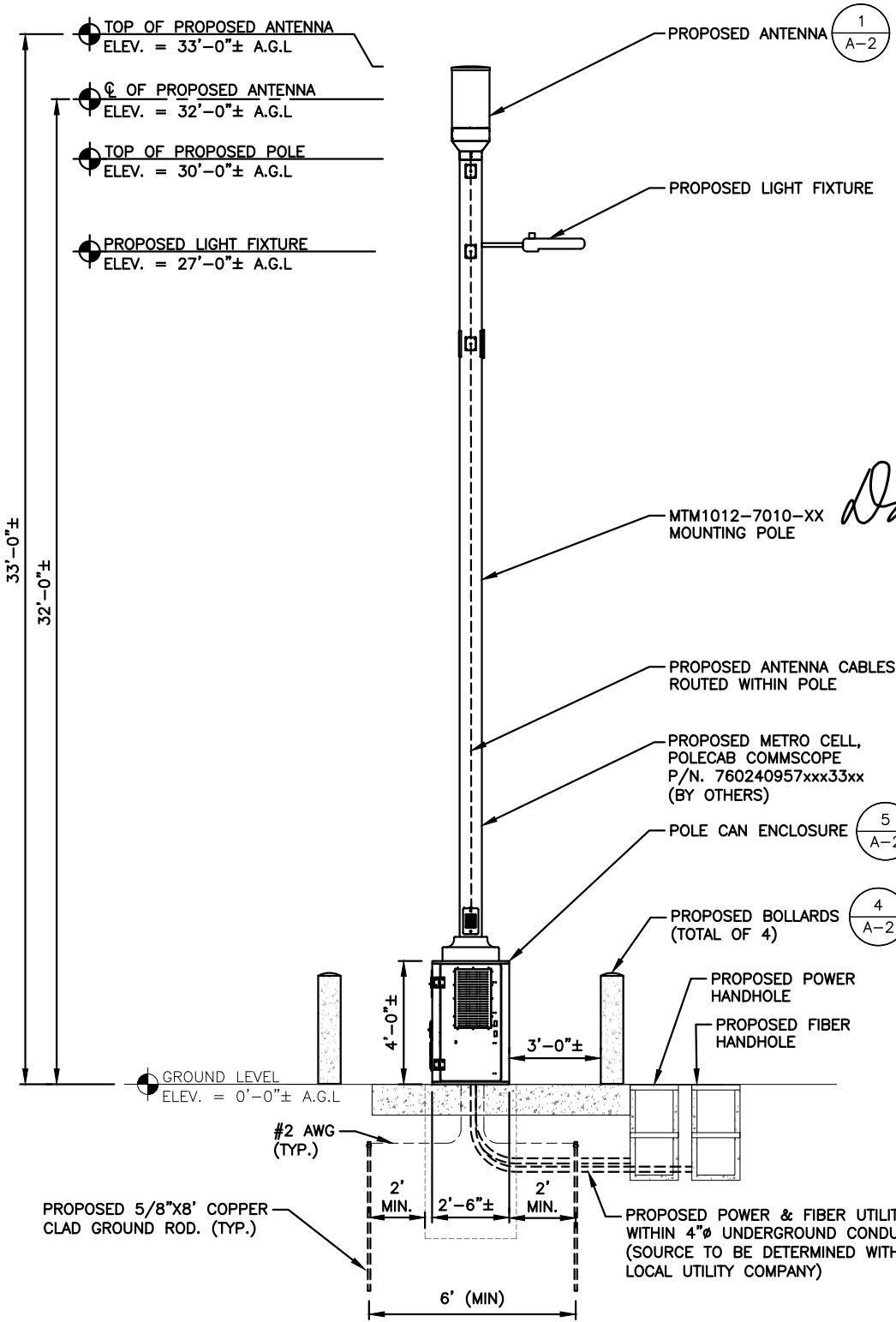
1. PROPOSED POWER & FIBER ROUTING T.B.D.  
2. METER TO BE MOUNTED AT POWER SOURCE LOCATION



**EXISTING CONDITIONS PHOTO DETAIL** 2/A-1  
SCALE: N.T.S.



**EQUIPMENT ORIENTATION PLAN** 3/A-1  
SCALE: N.T.S.



**ELEVATION** 4/A-1  
22x34 SCALE: 3/8"=1'-0"  
11x17 SCALE: 3/16"=1'-0"  
GRAPHIC SCALE: 0 1'-4" 2'-8" 5'-4" 8'-0"

CHECKED BY: AT  
APPROVED BY: DPH

**SUBMITTALS**

REV.	DATE	DESCRIPTION	BY
2	06/16/21	ISSUED FOR REVIEW	MR
1	03/10/21	ISSUED FOR REVIEW	MR
A	06/22/20	ISSUED FOR REVIEW	MR

CLUSTER AND NODE NUMBER:  
CRAN\_STAMFORD\_22

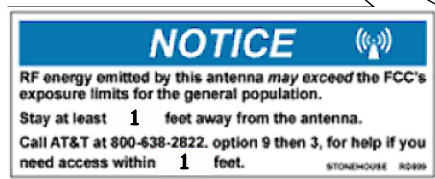
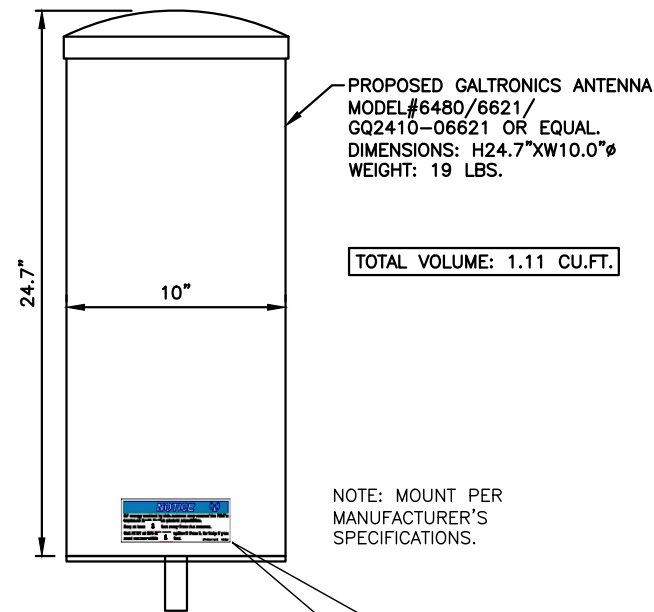
SITE ID:  
CRAN\_STAMFORD\_22

SITE ADDRESS:  
242 HOPE STREET  
STAMFORD, CT 06906  
FAIRFIELD COUNTY

SHEET TITLE  
KEY PLAN AND ELEVATION

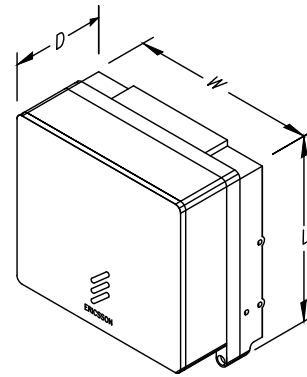
SHEET NUMBER  
**A-1**





STONEHOUSE SIGNS INC. P/N RD899  
SIGN DIMENSIONS 2.5"x6.5"  
TWO NOTICE STICKERS MUST BE PLACED OPPOSITE EACH OTHER ON THE ANTENNA

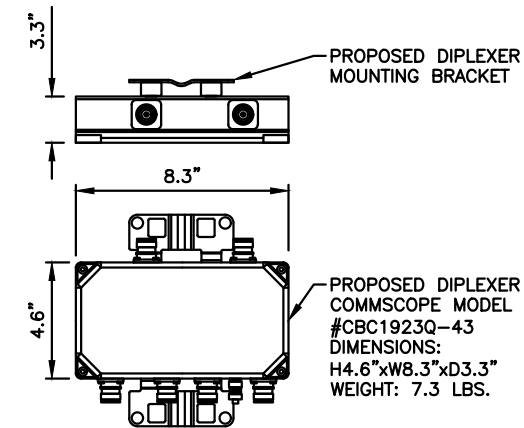
**ANTENNA DETAIL** 1  
SCALE: N.T.S. A-2



MODEL	QTY.	L	W	D	WGT.
4402	2	8.0"	8.0"	4.0"	11 LBS
2205	1	8.0"	8.0"	4.0"	11 LBS

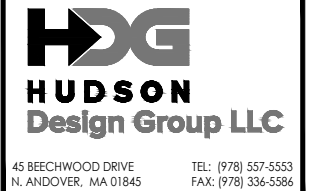
NOTE: MOUNT PER MANUFACTURER'S SPECIFICATIONS.

**RRH DETAIL** 2  
SCALE: N.T.S. A-2



NOTE: MOUNT PER MANUFACTURER'S SPECIFICATIONS.

**DIPLEXER DETAIL (AS REQUIRED)** 3  
SCALE: N.T.S. A-2



*Daniel P. Hamann*

CHECKED BY: AT

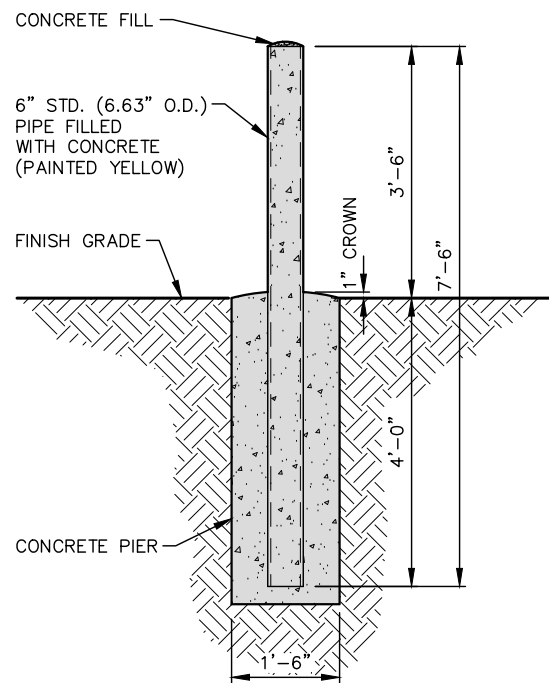
APPROVED BY: DPH

SUBMITTALS			
REV.	DATE	DESCRIPTION	BY
2	06/16/21	ISSUED FOR REVIEW	MR
1	03/10/21	ISSUED FOR REVIEW	MR
A	06/22/20	ISSUED FOR REVIEW	MR

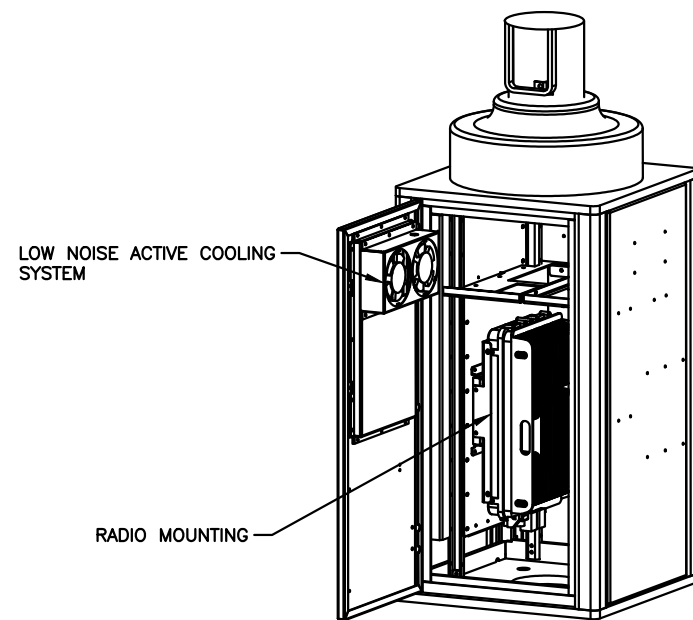
CLUSTER AND NODE NUMBER:  
CRAN\_STAMFORD\_22  
  
SITE ID:  
CRAN\_STAMFORD\_22  
  
SITE ADDRESS:  
242 HOPE STREET  
STAMFORD, CT 06906  
FAIRFIELD COUNTY

SHEET TITLE  
EQUIPMENT DETAILS

SHEET NUMBER  
**A-2**

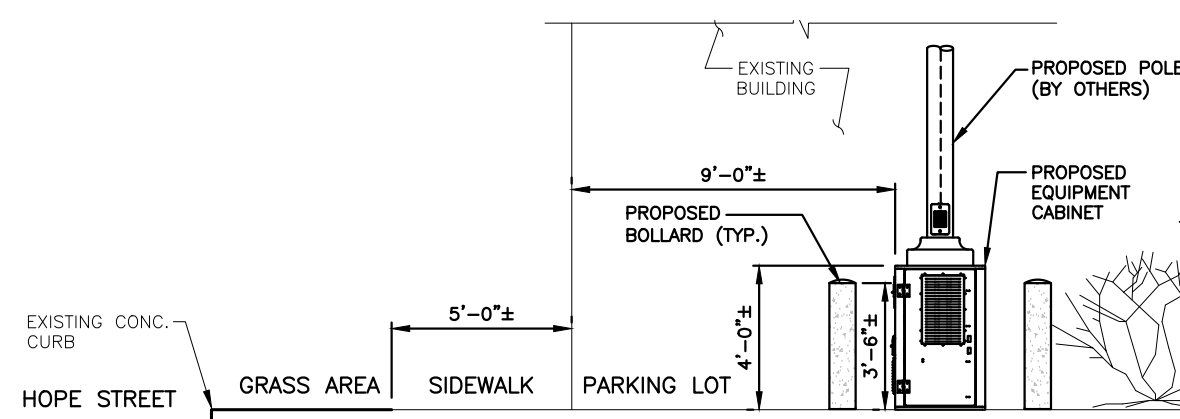


**CONCRETE FILLED BOLLARD** 4  
22x34 SCALE: N.T.S. A-2



NOTE: MOUNT PER MANUFACTURER'S SPECIFICATIONS.

**EQUIPMENT CABINET DETAIL** 5  
SCALE: N.T.S. A-2



**EQUIPMENT INSTALLATION DETAIL** 6  
SCALE: N.T.S. A-2