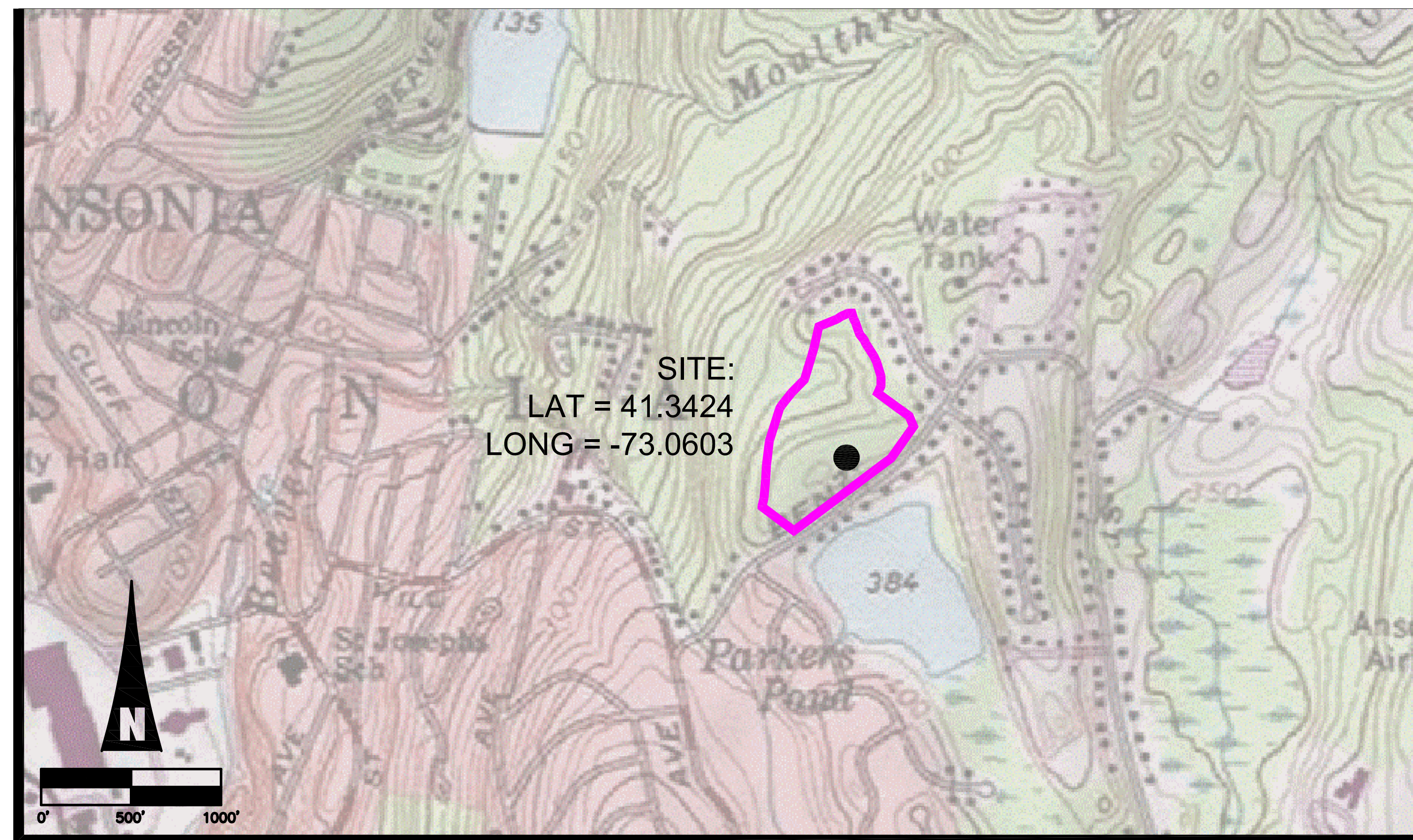


# BENZ STREET SOLAR CONNECTICUT SITING COUNCIL DOCUMENTS

FOR  
Site/Electrical Layout, Grading/Drainage/Erosion Control/Landscaping  
IN  
ANSONIA, CONNECTICUT

## LOCATION MAP



## SHEET INDEX

●	9	6/24/2021	1	COVER SHEET
●	-	2/04/2019	2	ALTA SURVEY (BY GODFREY HOFFMAN HODGE, LLC)
●	9	6/24/2021	3	SITE PLAN
●	9	6/24/2021	4	GRADING AND EROSION CONTROL PLAN
●	9	6/24/2021	5	SITE GRADING PLAN: BASIN #1
●	9	6/24/2021	6	SITE GRADING PLAN: BASIN #2
●	9	6/24/2021	7	LANDSCAPE PLAN
●	9	6/24/2021	8	KEY OBSERVATION POINTS
●	9	6/24/2021	9	PROJECT CROSS SECTION
●	9	6/24/2021	10	CIVIL NOTES
●	9	6/24/2021	11	CIVIL DETAILS

## DRAWING INDEX LEGEND

●	FILLED CIRCLE INDICATES DRAWING INCLUDED WITHIN THIS ISSUE		
9	MOST RECENT REVISION NUMBER		
6/24/2021	MOST RECENT ISSUE OR REVISION DATE		
○	X/XX/202X	X	SHEET TITLE

## CONTACT INFO:

**RECORD LANDOWNER:**  
PLH, LLC  
77 WATER STREET  
8TH FLOOR  
NEW YORK, NY 10005

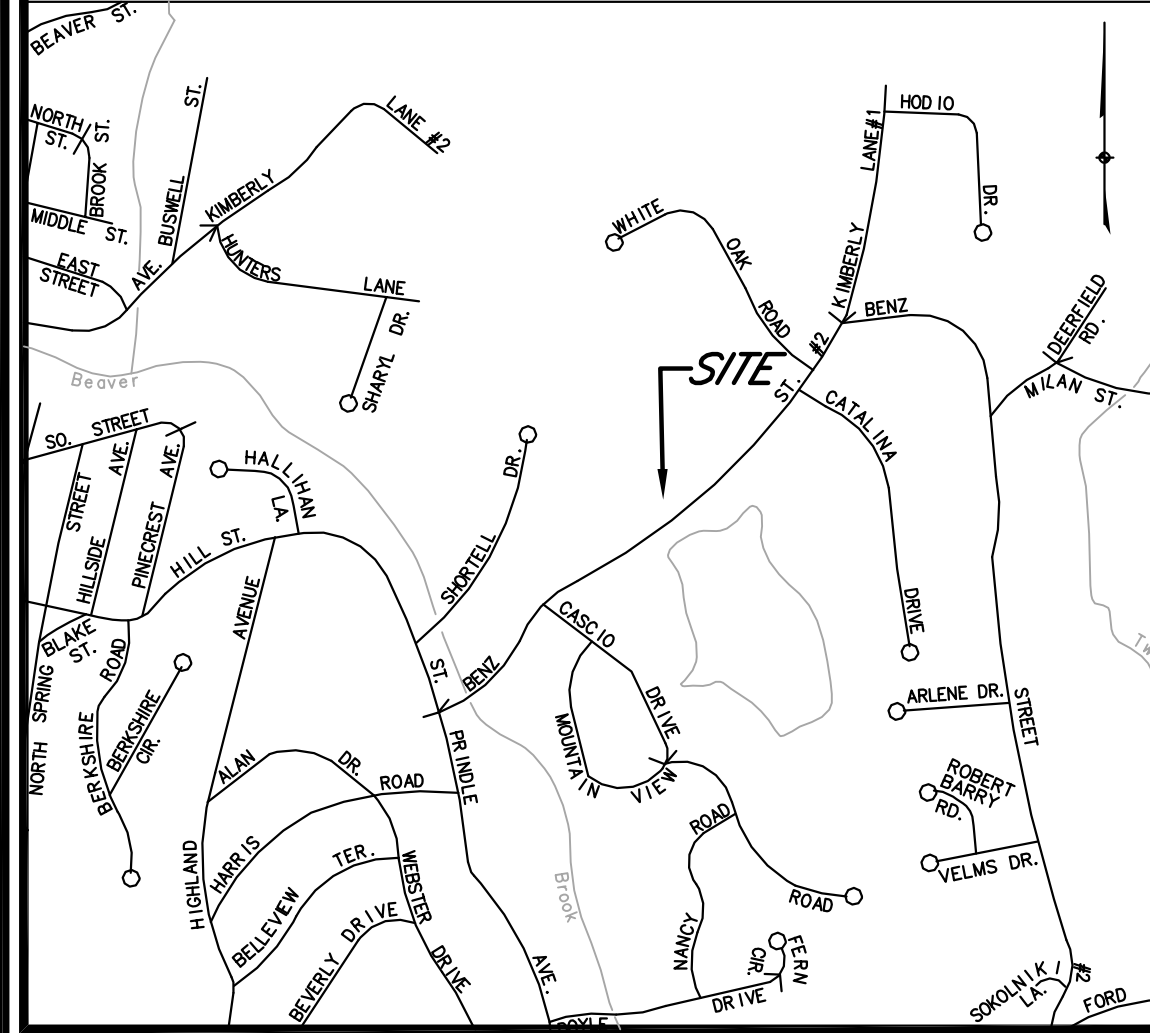
**OWNER/DEVELOPER:**  
ECOS ENERGY  
222 SOUTH 9TH STREET  
SUITE 1600  
MINNEAPOLIS, MN 55402

**CIVIL ENGINEER:**  
CLA ENGINEERS, INC.  
317 MAIN STREET  
NORWICH, CT 06360  
TEL: 860-886-1966

**SURVEYOR & WETLANDS DELINEATION:**  
GODFREY HOFFMAN HODGE, LLC  
26 BROADWAY  
NORTH HAVEN, CT 06085  
TEL: 203-239-4217

<table border="1"> <tr><td>9</td><td>6/24/2021</td><td>MISC. UPDATES AND REVISIONS</td></tr> <tr><td>8</td><td>6/24/2021</td><td>MISC. UPDATES AND REVISIONS</td></tr> <tr><td>7</td><td>4/15/2021</td><td>MISC. UPDATES AND REVISIONS</td></tr> <tr><td>6</td><td>3/23/2021</td><td>MISC. UPDATES AND REVISIONS</td></tr> <tr><td>5</td><td>3/17/20</td><td>MISC. UPDATES AND REVISIONS PER CSC</td></tr> <tr><td>4</td><td>7/24/20</td><td>MISC. UPDATES AND REVISIONS</td></tr> <tr><td>3</td><td>6/23/20</td><td>2" H.P. CSC SUBMISSION</td></tr> <tr><td>2</td><td>4/1/20</td><td>REVISED HYDROLOGY</td></tr> <tr><td>1</td><td>2/11/20</td><td>CSC SUBMISSION</td></tr> </table>			9	6/24/2021	MISC. UPDATES AND REVISIONS	8	6/24/2021	MISC. UPDATES AND REVISIONS	7	4/15/2021	MISC. UPDATES AND REVISIONS	6	3/23/2021	MISC. UPDATES AND REVISIONS	5	3/17/20	MISC. UPDATES AND REVISIONS PER CSC	4	7/24/20	MISC. UPDATES AND REVISIONS	3	6/23/20	2" H.P. CSC SUBMISSION	2	4/1/20	REVISED HYDROLOGY	1	2/11/20	CSC SUBMISSION	<b>CLA Engineers, Inc.</b> CIVIL • STRUCTURAL • SURVEYING 317 Main Street Norwich, Connecticut (860) 886-1966 Fax (860) 886-9165	
9	6/24/2021	MISC. UPDATES AND REVISIONS																													
8	6/24/2021	MISC. UPDATES AND REVISIONS																													
7	4/15/2021	MISC. UPDATES AND REVISIONS																													
6	3/23/2021	MISC. UPDATES AND REVISIONS																													
5	3/17/20	MISC. UPDATES AND REVISIONS PER CSC																													
4	7/24/20	MISC. UPDATES AND REVISIONS																													
3	6/23/20	2" H.P. CSC SUBMISSION																													
2	4/1/20	REVISED HYDROLOGY																													
1	2/11/20	CSC SUBMISSION																													
		Project No. CLA-6430 Proj. Engineer E.M.B. Date: 2/11/2020 Sheet No.																													
31 BENZ STREET ANSONIA, CT 06401		<b>BENZ STREET SOLAR</b>																													
<b>COVER SHEET</b>		<b>1</b>																													

**SITE LOCATION MAP**  
SCALE: 1"=800'

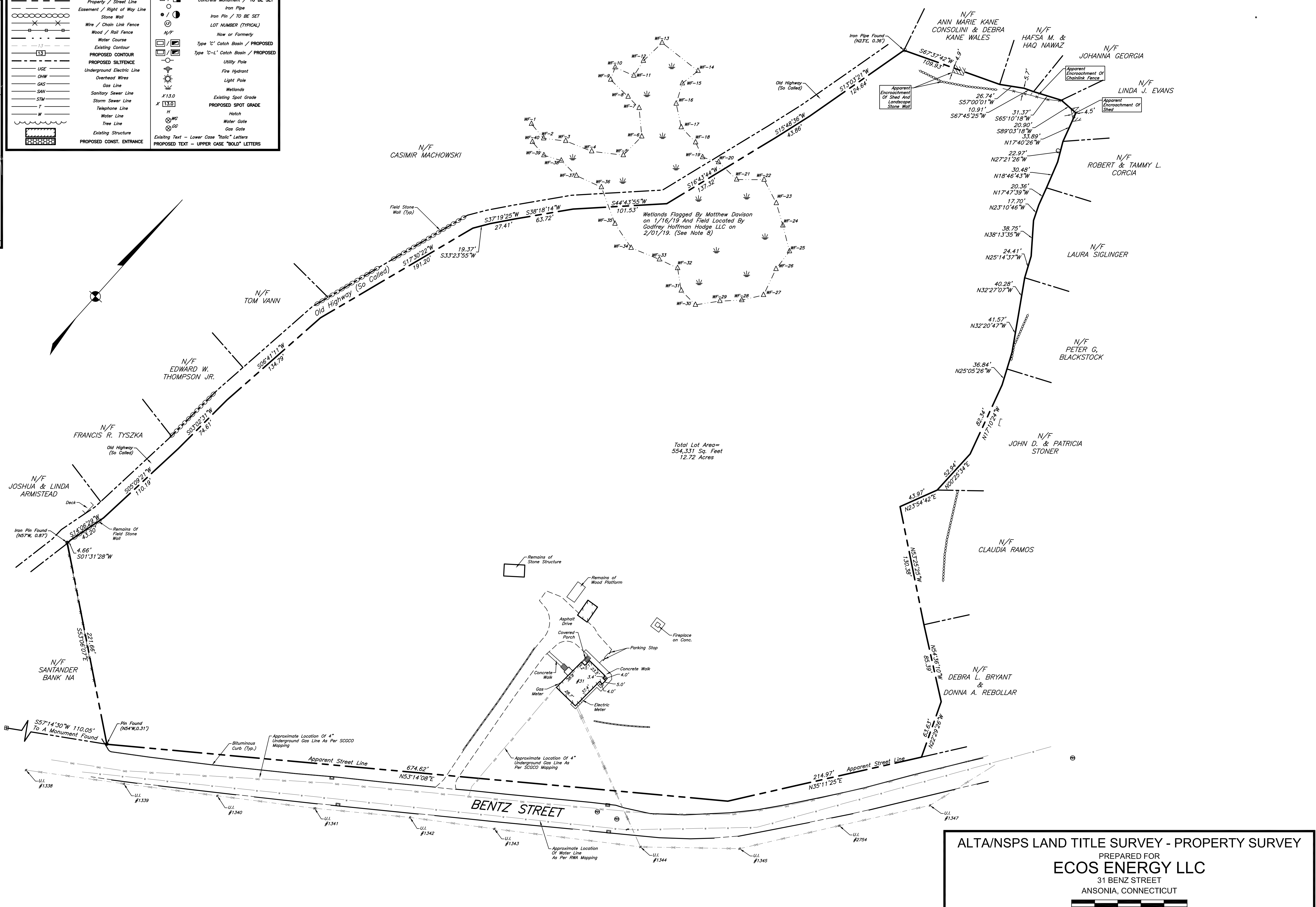


**LEGEND**

	Property / Street Line		Concrete Monument / TO BE SET
	Easement / Right of Way Line		Iron Pipe
	Stone Wall		Iron Pin / TO BE SET
	Wire / Chain Link Fence		LOT NUMBER (TYPICAL)
	Wood / Rail Fence		Now or Formerly
	Water Course		Type 'C' Catch Basin / PROPOSED
	Existing Contour		Type 'L' Catch Basin / PROPOSED
	PROPOSED SILTENCE		Utility Pole
	Underground Electric Line		Fire Hydrant
	Overhead Wires		Wetlands
	Gas Line		Existing Spot Grade
	Sanitary Sewer Line		PROPOSED SPOT GRADE
	Storm Sewer Line		Hatch
	Telephone Line		Water Gate
	Water Line		Tree Line
	Existing Structure		Gas Gate
	PROPOSED CONST. ENTRANCE		Existing Text - Lower Case "italic" Letters
			PROPOSED TEXT - UPPER CASE "BOLD" LETTERS

**NOTES:**

- THIS MAP AND SURVEY HAVE BEEN PREPARED IN ACCORDANCE WITH THE REGULATIONS OF CONNECTICUT STATE AGENCIES, SECTIONS 20-300B-1 THRU 20-300B-20, THE MINIMUM STANDARDS FOR SURVEYS AND MAPS IN THE STATE OF CONNECTICUT EFFECTIVE JUNE 21, 1996, AMENDED OCTOBER 26, 2018.
  - THE HORIZONTAL ACCURACY CONFORMS TO CLASS "A-2".
  - THE BOUNDARY DETERMINATION CATEGORY IS A "FIRST SURVEY".
  - THE TYPE OF SURVEY IS A "PROPERTY SURVEY".
- ALL MONUMENTATION FOUND OR SET IS DEPICTED ON THIS MAP.
- THE NORTH ARROW, BEARINGS, AND COORDINATES ARE BASED UPON THE CONNECTICUT STATE PLANE COORDINATE SYSTEM, NAD 83 UTILIZING THE STATE OF CONNECTICUT ACORN GPS NETWORK.
- REFERENCE MAP(S):
  - MAP OF TWO LOTS PROPERTY OF JOSEPH DAVIDSON BENZ ST ANSONIA, CONN. BY DANIEL B. GUON DATED, MAY 16, 1985
  - ANTHONY & ELAINE DEFAZIO LOT 12 ANSONIA, CONN. BY JOSEPH WYSOWSKI DATED, AUGUST 14, 1989
  - MAP SHOWING HOUSE LOCATION ON LOT #14 WHITE OAK RIDGE ANSONIA, CONN. BY CLARKE AND PEARSON DATED, OCTOBER 2, 1962
  - MAP SHOWING HOUSE LOCATION ON LOT #2 WHITE OAK RIDGE ANSONIA, CONN. BY CLARKE AND PEARSON DATED, SEPTEMBER 6, 1961
  - MAP SHOWING HOUSE LOCATION ON LOT #6 WHITE OAK RIDGE ANSONIA, CONN. BY CLARKE AND PEARSON DATED, OCTOBER 25, 1961
  - WHITE OAK RIDGE DEVELOPMENT BY FOREST HEIGHTS INC. ANSONIA, CONN. BY CLARKE AND PEARSON DATED, MAY 1961, REVISED TO JUNE 9, 1961
  - MAP OF BUILDING LOTS OWNED BY ANDREW WEISZ, THOMAS WEISZ, & JOSEPH DIGIORI SECTION 1 ANSONIA, CONN. BY CLARKE AND PEARSON DATED, AUGUST 19, 1959
  - MOUNTAIN VIEW ESTATES SECTION 1 ANSONIA - CONN. BY FREDERICK MAHN DATED, FEBRUARY 10, 1959
  - MOUNTAIN VIEW ESTATES SECTION 3 ANSONIA - CONN. BY FREDERICK MAHN DATED, MARCH 5, 1959
  - LOT #1 MOUNTAIN VIEW ESTATES ANSONIA CONN. BY FREDERICK MAHN DATED, FEBRUARY 10, 1959
  - LOT #2 MOUNTAIN VIEW ESTATES ANSONIA - CONN. BY FREDERICK MAHN DATED, DECEMBER 26, 1958
  - LOT #3 MOUNTAIN VIEW ESTATES ANSONIA - CONN. BY FREDERICK MAHN DATED, DECEMBER 26, 1958
  - LOT #4 MOUNTAIN VIEW ESTATES ANSONIA CONN. BY FREDERICK MAHN DATED, FEBRUARY 10, 1959
  - LOT #5 MOUNTAIN VIEW ESTATES ANSONIA CONN. BY FREDERICK MAHN DATED, FEBRUARY 10, 1959
- PROPERTY IS SUBJECT TO AND TOGETHER WITH THE FOLLOWING:
  - SUBJECT TO AN AGREEMENT IN FAVOR OF THE CITY OF ANSONIA AS PER VOLUME 121 PAGE 028 OF THE ANSONIA LAND RECORDS.
  - RIGHTS, RESTRICTIONS, ENCUMBRANCES, COVENANTS, EASEMENTS, ETC. AS PER THE RECORD MAY APPEAR.
- THE SUBJECT PROPERTY IS DESIGNATED AS MAP 87, BLOCK 00, LOT 01 ON THE ANSONIA ASSESSOR'S RECORDS.
- PROPERTY IS LOCATED IN FLOOD ZONE(S): "X" (AREAS DETERMINED TO BE OUTSIDE THE 500 YEAR FLOOD PLAIN) AS DEPICTED ON F.I.R.M. COMMUNITY NO. 090090406J DATED MAY 16, 2017 AND 090090406H DATED DECEMBER 17, 2010.
- UNDERGROUND UTILITY, STRUCTURE AND FACILITY LOCATIONS DEPICTED AND NOTED HEREON MAY HAVE BEEN COMPILED, IN PART, FROM RECORD MAPPING SUPPLIED BY THE RESPECTIVE UTILITY COMPANIES OR GOVERNMENTAL AGENCIES, FROM PAROLE TESTIMONY AND FROM OTHER SOURCES. THESE LOCATIONS MUST BE CONSIDERED AS APPROXIMATE IN NATURE. ADDITIONALLY, OTHER SUCH FEATURES MAY EXIST ON THE SITE, THE LOCATIONS OF WHICH ARE UNKNOWN TO GODFREY-HOFFMAN HODGE, LLC. THE SIZE, LOCATION AND EXISTENCE OF ALL SUCH FEATURES MUST BE FIELD DETERMINED AND VERIFIED BY THE APPROPRIATE AUTHORITIES PRIOR TO CONSTRUCTION. CALL BEFORE YOU DIG 1-800-922-4455.
- TO CONNECTICUT ATTORNEYS TITLE INSURANCE COMPANY. THIS IS TO CERTIFY THAT THIS MAP OR PLAN AND THE SURVEY ON WHICH IT IS BASED WERE MADE IN ACCORDANCE WITH THE 2016 MINIMUM STANDARD DETAIL REQUIREMENTS FOR ALTA/NSPS LAND TITLE SURVEYS, JOINTLY ESTABLISHED AND ADOPTED BY ALTA AND NSPS, AND INCLUDES ITEMS 2, 3, 4, 6, 7(A), 8, 9, 10, 11, 12, 13, 14, 16, 17, 18, 19 AND 20, OF TABLE A THEREOF. THE FIELDWORK WAS COMPLETED ON FEBRUARY 1, 2019.



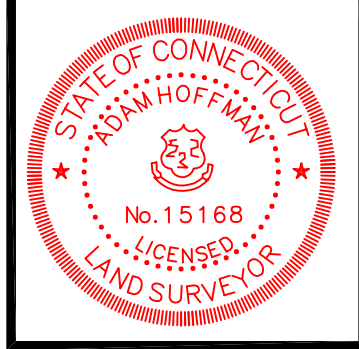
**ALTA/NSPS LAND TITLE SURVEY - PROPERTY SURVEY**  
PREPARED FOR  
**ECOS ENERGY LLC**  
31 BENZ STREET  
ANSONIA, CONNECTICUT

0 25 50 75 100 125

TO THE BEST OF MY KNOWLEDGE AND BELIEF THIS MAP IS SUBSTANTIALLY CORRECT AS NOTED HEREON.

ADAM WAGMAN, L.S. #15168

NOT VALID WITHOUT LIVE SIGNATURE AND SEAL.



ALL WORK, LABOR, AND MATERIALS TO BE IN STRICT ACCORDANCE WITH ALL APPLICABLE CODES AND LAWS WHICH SHALL TAKE PRECEDENCE OVER THESE DRAWINGS IN THE EVENT OF ERRORS AND/OR OMISSIONS HEREON.

THE WORD "CERTIFY" OR "DECLARE" IS UNDERSTOOD TO BE AN EXPRESSION OF PROFESSIONAL OPINION BY THE LAND SURVEYOR AND/OR ENGINEER, WHICH IS BASED ON THEIR BEST KNOWLEDGE, INFORMATION AND BELIEF, AS SUCH IT CONSTITUTES NEITHER A GUARANTEE OR WARRANTY.

THE INFORMATION CONTAINED HEREIN IS THE PROPRIETARY AND CONFIDENTIAL PROPERTY OF GODFREY-HOFFMAN HODGE, LLC. REPRODUCTIONS, PUBLICATION, DISTRIBUTION, OR DUPLICATION IN WHOLE OR IN PART REQUIRES THE WRITTEN PERMISSION OF GODFREY-HOFFMAN HODGE, LLC. THIS DOCUMENT AND COPIES THEREOF ARE VALID ONLY IF THEY BEAR THE LIVE SIGNATURE AND LIVE SEAL OF THE DESIGNATED LICENSED PROFESSIONAL.

© COPYRIGHT 2019, ALL RIGHTS RESERVED

NO.	DATE	DESCRIPTION

**GODFREY-HOFFMAN HODGE, LLC**  
PROFESSIONAL LAND SURVEYORS & CIVIL ENGINEERS  
26 BROADWAY NORTH HAVEN, CT 06473; TEL: 203.239.4217 - WWW.GODFREYHOFFMAN.COM  
1783 FARMINGTON AVENUE, UNIONVILLE, CT 06085; TEL: 860.673.0444 - WWW.HODGELLCC.COM

DRAWN BY: KMA  
CHECKED BY: CSW  
DATE: 02-04-2019  
SCALE: 1"=50'  
PROJECT: 19-006  
DRAWING:  
**1 of 1**

**BENZ SOLAR PROJECT SUMMARY**  
 TOTAL MODULE QUANTITY = 6,136 MODULES  
 TOTAL SYSTEM RATING (DC-STC) = 2.57 MW  
 TOTAL SYSTEM RATING (AC) = 1.99 MW  
 ARRAY #01 = 1000 KW-AC  
 ARRAY #02 = 999 KW-AC  
 TOTAL DC:AC SYSTEM RATIO ~ 1.28

**LEGEND:**

- EXISTING PROPERTY LINE
- - - PROPOSED PROJECT FENCE
- - - PROPOSED GRAVEL ACCESS ROAD
- UMV PROPOSED AC DISTRIBUTION
- - - PROPOSED OVERHEAD ELECTRIC
- ARBORVITAE SCREENING TREES
- BASIN OUTLET
- 50' WETLAND BUFFER AREA
- WETLAND DELINEATION LINE
- 24 x 2 SOLAR MODULE BOCK
- 18 x 2 SOLAR MODULE BOCK
- 6 x 2 & 12 x 2 SOLAR MODULE BOCK

**PROJECT INFORMATION:**

EXISTING ZONING : R  
 PROPOSED USE : SPECIAL COMMERCIAL

**SPECIFIC SITE NOTES:**

- NO LIGHTING PROPOSED WITH THE PROJECT
- NO AUDIBLE NOISE GREATER THAN THE SITES EXISTING AMBIENT NOISE LEVEL SHALL BE DETECTABLE AT OR BEYOND THE PROPERTY LINE OF THE PROJECT
- EMERGENCY VEHICULAR & SITE ACCESS TO BE PROVIDED TO ALL LOCAL RESPONDERS (POLICE, FIRE, ETC..)

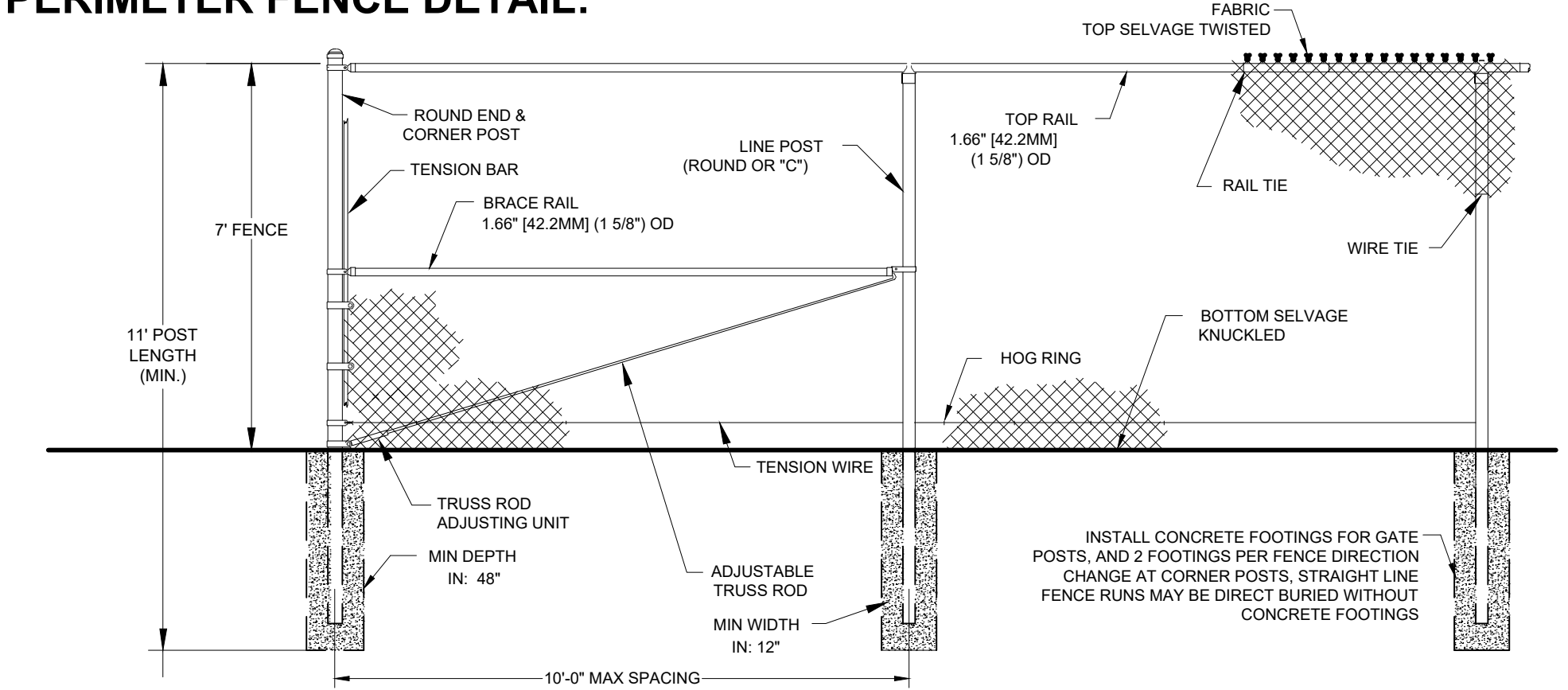
**PROJECT AREAS & IMPACTS:**

TOTAL SITE AREA = 12.72 ACRES  
 TOTAL SITE CLEARING = ±9.0 ACRES  
 TOTAL ARRAY FOOTPRINT (FENCE LIMITS) = 8.38 ACRES  
 TOTAL PROPOSED IMPERVIOUS: GRAVEL ACCESS ROAD, STRUCTURAL POSTS & EQUIPMENT PADS = 0.12 ACRES  
 SOLAR MODULES EFFECTIVE IMPERVIOUS = 0.65 ACRES

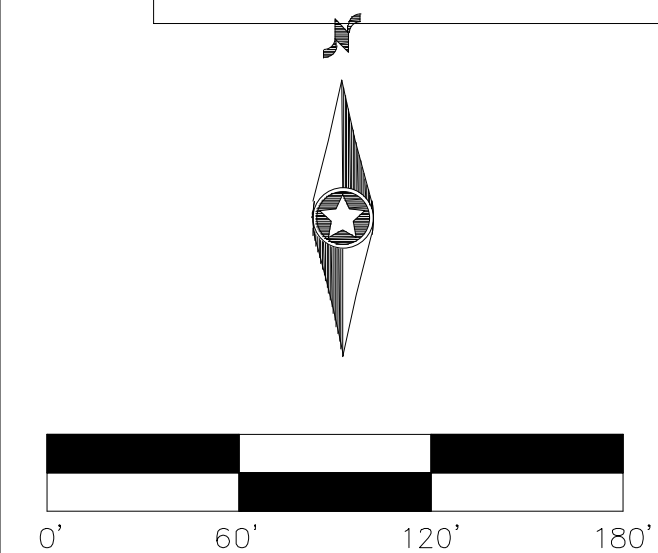
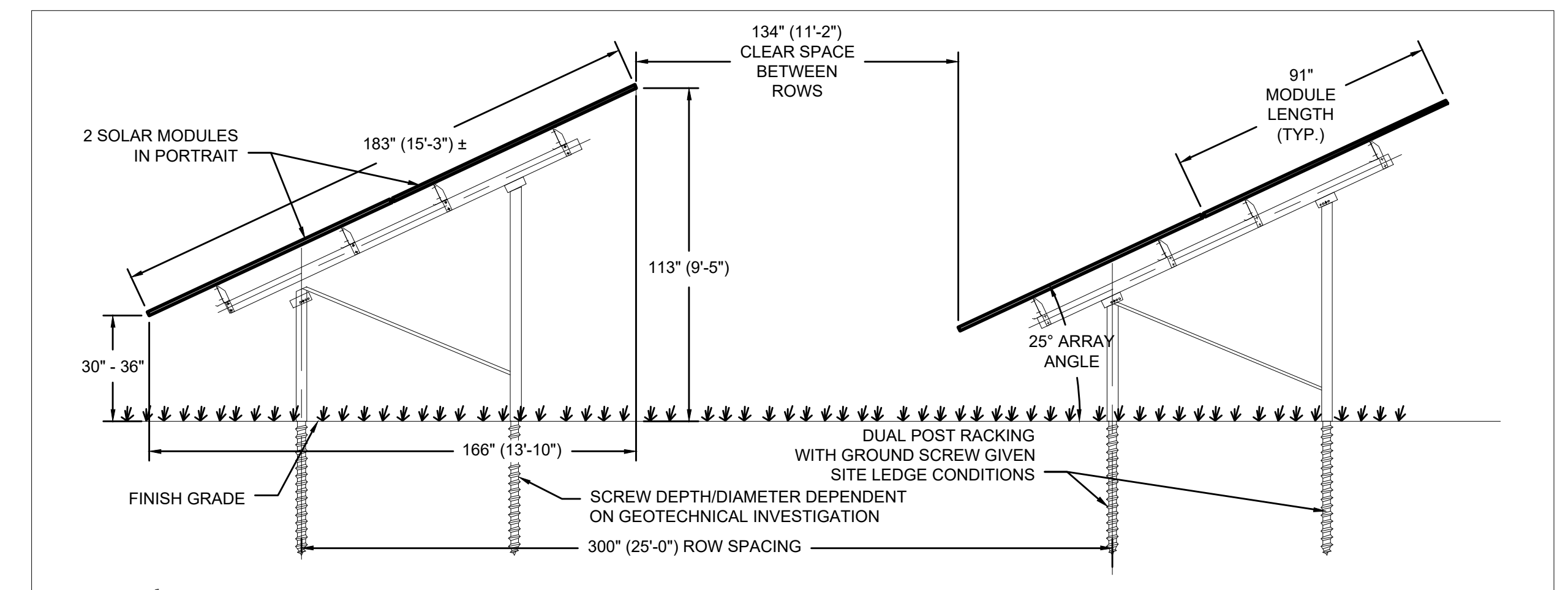
**EASTERN BOX TURTLE PROTECTION**

EASTERN BOX TURTLES MAY BE PRESENT IN THE PROJECT AREA. ALL CONTRACTORS AND SUBCONTRACTORS SHALL BE AWARE OF THE EASTERN BOX TURTLE PROTECTION PLAN AND ADHERE TO THE REQUIREMENTS OUTLINED IN THE PLAN.

**PERIMETER FENCE DETAIL:**



**RACKING PROFILE DETAIL:**



No.	Date	Revision
9	8/24/2021	MISC. UPDATES AND REVISIONS
8	5/24/2021	MISC. UPDATES AND REVISIONS
7	4/15/2021	MISC. UPDATES AND REVISIONS
6	3/23/2021	MISC. UPDATES AND REVISIONS
5	3/17/20	MISC. UPDATES AND REVISIONS PER CSC
4	7/24/20	MISC. UPDATES AND REVISIONS
3	3/22/20	2 NEW CSC SUBMISSION
2	2/17/20	REVISED HYDROLOGY
1	2/11/20	CSC SUBMISSION

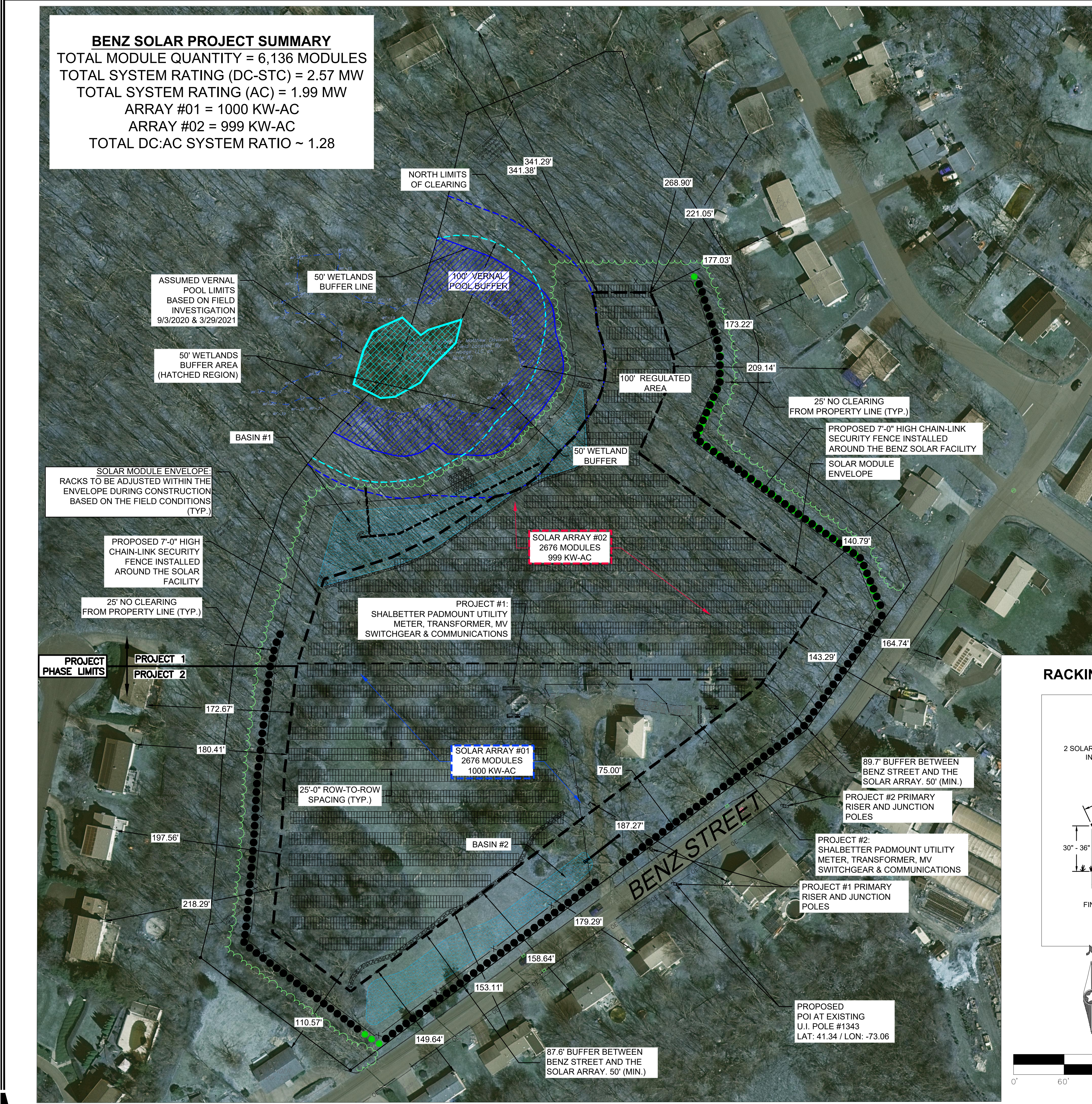
**CLA Engineers, Inc.**  
 CIVIL • STRUCTURAL • SURVEYING  
 317 Main Street Norwich, Connecticut  
 (860) 886-1966 Fax (860) 886-9165



Project No. CLA-6430  
 Proj. Engineer E.M.B.  
 Date: 2/11/2020  
 Sheet No. 3

**BENZ STREET SOLAR**

**SITE PLAN**



M:\6000\6430\Benz Street Solar\Drawings\Current\03 SITE PLAN-BENZ.dwg

**LEGEND:**

- EXISTING PROPERTY LINE
- x- PROPOSED FENCE
- PROPOSED GRAVEL ACCESS ROAD
- PROPOSED UNDERGROUND MV CABLE
- PROPOSED OVERHEAD ELECTRIC
- EXISTING CONTOUR
- PROPOSED CONTOUR
- 26 x 2 SOLAR MODULE BLOCK
- 13 x 2 SOLAR MODULE BLOCK
- 100' WETLAND REGULATED AREA LIMIT
- 50' WETLAND BUFFER
- WETLAND DELINEATION LINE & AREA
- RIP-RAP BASIN OUTLET

**TEST HOLE DATA:**

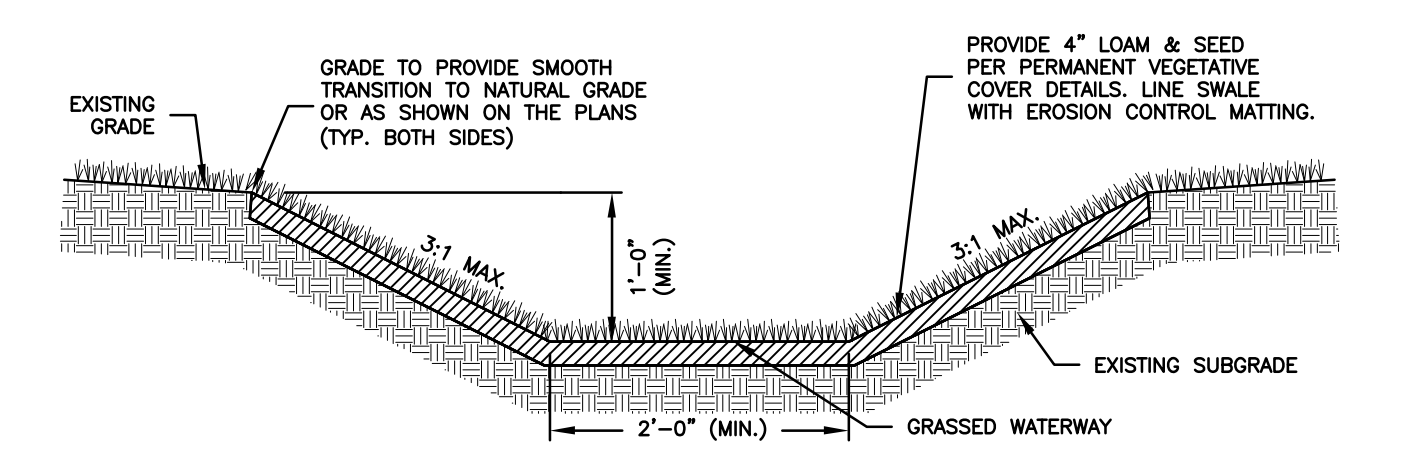
- TH-1**  
TD=72"  
No bedrock  
No water  
No mottles
- 0-9" Topsoil, Brown fine sandy loam with boulders  
9-52" Yellow brown fine sandy loam with boulders  
52-72" Gray loamy sand with boulders
- TH-2**  
TD=72"  
No bedrock  
No water  
No mottles
- 0-10" Topsoil, Brown fine sandy loam with boulders  
10-3" Yellow loam with boulders  
38-72" Gray loamy sand with boulders, dense at 65 inches
- TH-3**  
TD=84"  
No bedrock  
No water  
No mottles
- 0-12" Topsoil, Brown fine sandy loam with boulders  
12-28" Yellow brown fine sandy loam with boulders  
28-84" Gray loamy sand with boulders, dense at 63"
- TH-4**  
TD=74"  
No bedrock  
No water  
No mottles
- 0-10" Topsoil, Brown fine sandy loam  
10-40" Yellow brown fine sandy loam  
40-74" Gray loamy sand with angular boulders and stones and mica
- TH-5**  
TD=76"  
No bedrock  
Wet at 44"  
Mottles 24"
- 0-8" Topsoil, Dark Brown fine sandy loam  
8-24" Red brown fine sandy loam  
24-76" Red brown sandy loam with gray brown mottles
- TH-6**  
TD=70"  
No bedrock  
Wet at 50"  
Mottles 30"
- 0-7" Topsoil, Dark Brown fine sandy loam  
7-32" Red brown fine sandy loam with gray brown mottles  
32-70" Gray loamy sand with boulders
- TH-7**  
TD=70"  
No bedrock  
Wet at 36"  
Mottles 32"
- 0-16" Topsoil, Dark Brown fine sandy loam  
16-32" Red brown fine sandy loam with gray brown mottles  
32-70" Red brown fine sandy loam with boulders and gray brown mottles
- TH-8** (done with shovel and auger)  
TD=37"  
No bedrock  
No water  
Mottles 34"
- 0-8" Topsoil, Dark Brown fine sandy loam  
8-34" Red brown fine sandy loam  
37+" Red brown loamy sand with boulders and gray brown mottles
- Additional Test pits performed on April 30, 2021  
R. Russo CLA Engineers, R. Galton ECOS, Douglas Construction excavator
- TP-1A**  
TD=98"  
No water  
Mottles 46"  
No bedrock
- 0-10" Topsoil, dark brown sandy loam  
10-28" subsoil strong brown fine sandy loam  
28-46" subsoil brown fine sandy loam  
46-98" gray brown fine sandy loam with stones DENSE  
Samples at 46-98"
- TP-2A**  
TD=118"  
Seeping 54"  
Mottles 54"  
No bedrock
- 0-14" Topsoil, dark brown sandy loam  
14-43" subsoil yellow brown fine sandy loam  
43-54" subsoil brown fine sandy loam  
54-118" gray brown fine sandy loam with stones and cobbles DENSE
- TP-3A**  
TD=32"  
Water 28"  
Mottles 28"  
Bedrock 32"
- 0-9" Topsoil, dark brown sandy loam  
9-32" subsoil yellow brown fine sandy loam with boulders  
Note: Surface ledge 15 feet to the east.

**CONSTRUCTION NOTES:**

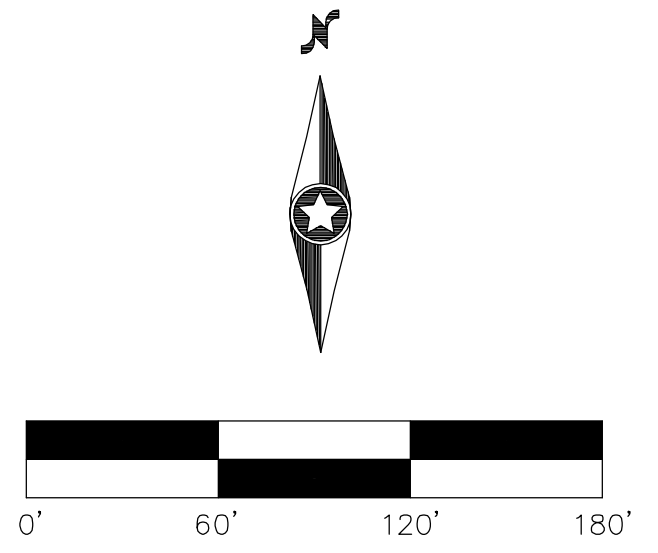
- THE CONTRACTOR SHALL PERFORM ALL TREE REMOVAL ACTIVITIES ON SITE TO ALLOW FOR SEDIMENT TRAP INSTALLATION, NO GRUBBING IS TO OCCUR DURING TREE REMOVAL, PRIOR TO SEDIMENT TRAP INSTALLATION.
- ALL SEDIMENT TRAP'S IDENTIFIED ON THE PLAN SHALL BE STAKED BY A REGISTERED SURVEYOR AND INSTALLED PER PLANS PRIOR TO ANY CONSTRUCTION ACTIVITY.
- AS-BUILT DRAWINGS SHALL BE MAINTAINED BY THE CONTRACTOR THROUGHOUT THE CONSTRUCTION OF THE PROJECT.
- EASTERN BOX TURTLES MAY BE PRESENT IN THE PROJECT AREA. ALL CONTRACTORS AND SUBCONTRACTORS SHALL BE AWARE OF THE EASTERN BOX TURTLE PROTECTION PLAN AND ADHERE TO THE REQUIREMENTS OUTLINED IN THE PLAN.

**EROSION CONTROL NOTES:**

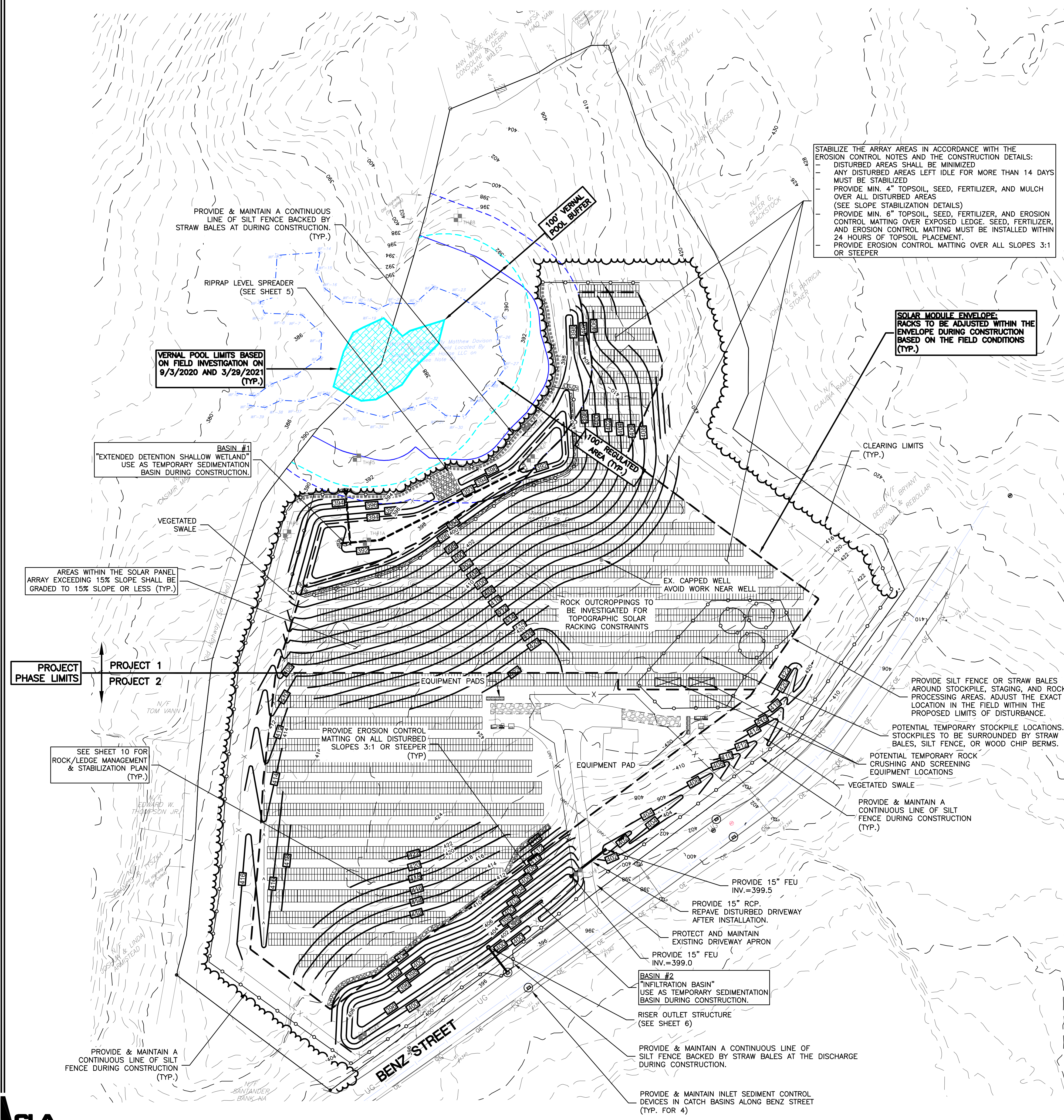
- DEVELOPER/CONTRACTOR TO OBTAIN A DEEP GENERAL STORMWATER PERMIT PRIOR TO BEGINNING CONSTRUCTION.
- TEMPORARY EROSION AND SEDIMENT CONTROL MEASURES SHALL BE INSTALLED BEFORE ANY SOIL DISTURBANCE.
- THE AREA OF DISTURBANCE SHALL BE KEPT TO A MINIMUM. DISTURBED AREAS REMAINING IDLE FOR MORE THAN 14 DAYS SHALL BE STABILIZED.
- MEASURES SHALL BE TAKEN TO CONTROL EROSION WITHIN THE PROJECT AREA. SEDIMENT IN RUNOFF WATER SHALL BE TRAPPED AND RETAINED WITHIN THE PROJECT AREA USING APPROVED MEASURES.
- WETLAND AREAS AND SURFACE AREAS SHALL BE PROTECTED FROM SEDIMENT. OFF-SITE SURFACE WATER AND RUNOFF FROM UNDISTURBED AREAS SHALL BE DIVERTED AWAY FROM DISTURBED AREAS WHERE FEASIBLE OR CARRIED THROUGH THE PROJECT AREA WITHOUT CAUSING EROSION. INTEGRITY OF DOWNSTREAM DRAINAGE SYSTEMS SHALL BE MAINTAINED.
- ALL TEMPORARY EROSION AND SEDIMENTATION CONTROL MEASURES SHALL BE REMOVED AFTER FINAL SITE STABILIZATION. STABILIZATION MEASURES SUCH AS HYDRO-SEEDING OR APPLICATION OF HAY/MULCH OR SOIL NETTING SHALL BE APPLIED PRIOR TO REMOVAL OF TEMPORARY EROSION MEASURES AND INSPECTED WEEKLY UNTIL STABILIZATION IS COMPLETE. TEMPORARY EROSION CONTROL MEASURES MAY BE REMOVED ONCE STABILIZATION OF ALL SITE SOILS HAS BEEN ACHIEVED AND WRITTEN AUTHORIZATION TO DO SO HAS BEEN PROVIDED BY THE STORMWATER AUTHORITY. TRAPPED SEDIMENT SHALL BE REMOVED IMMEDIATELY WITH TEMPORARY EROSION CONTROL METHODS AND LAWFULLY DISPOSED OF OFF-SITE. OTHER DISTURBED SOIL AREAS RESULTING FROM THE REMOVAL OF TEMPORARY MEASURES SHALL BE PERMANENTLY STABILIZED WITHIN THIRTY DAYS.



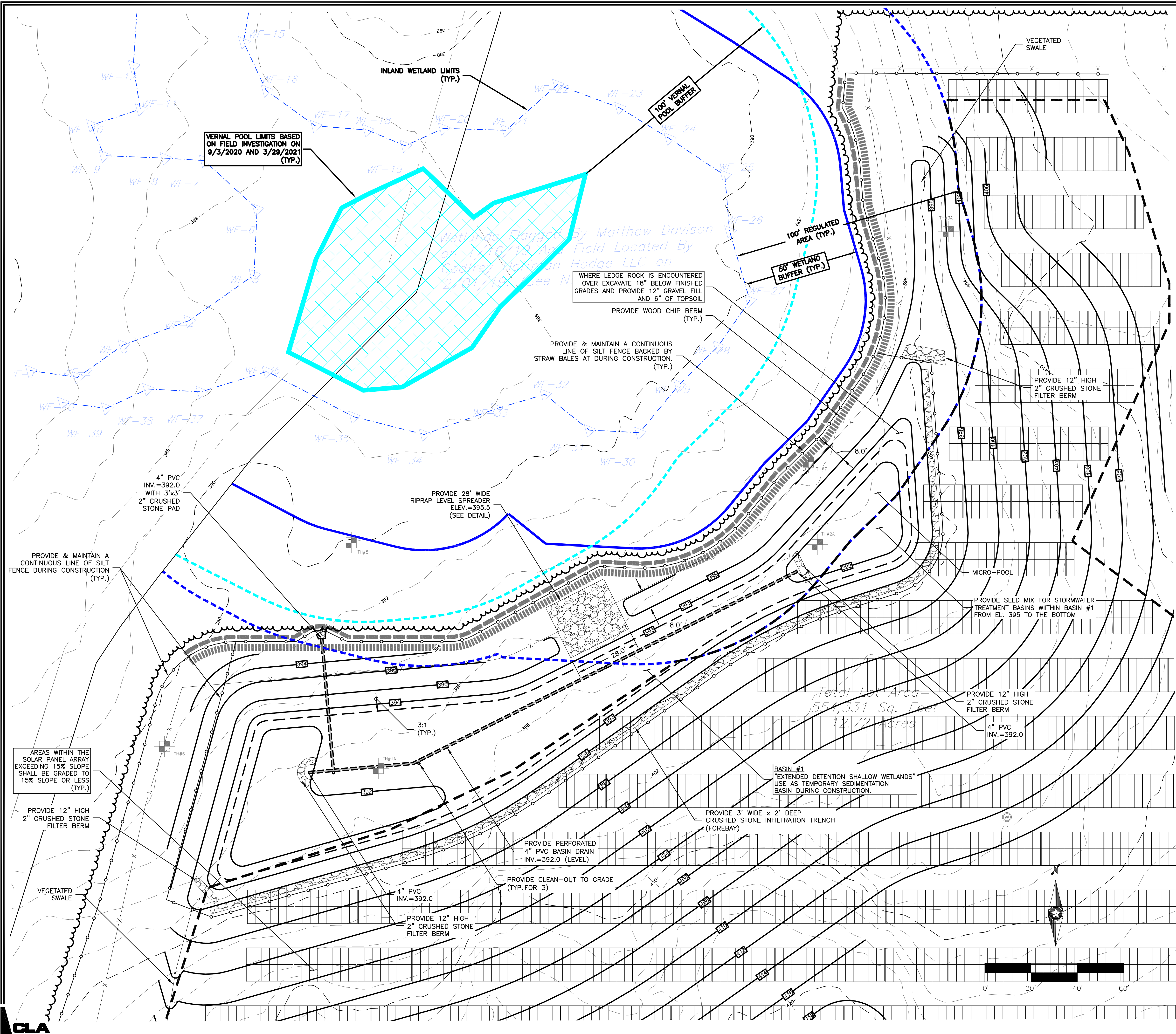
**VEGETATED SWALE DETAIL**  
NOT TO SCALE



<p>0 6/24/2021 MISC. UPDATES AND REVISIONS</p> <p>0 7/23/2021 MISC. UPDATES AND REVISIONS</p> <p>0 7/15/2021 MISC. UPDATES AND REVISIONS</p> <p>0 3/27/2021 MISC. UPDATES AND REVISIONS</p> <p>0 3/21/2020 MISC. UPDATES AND REVISIONS PRE CSC</p> <p>4 7/24/20 MISC. UPDATES AND REVISIONS</p> <p>0 12/22/20 2" MIN. CSC SUBMISSION</p> <p>0 4/1/20 REVISION HYDROLOGY</p> <p>1 2/11/20 CSC SUBMISSION</p>		<p><b>CLA Engineers, Inc.</b> Civil · Structural · Surveying</p> <p>317 Main Street Norwich, Connecticut (860) 886-1966 Fax (860) 886-9165</p>
<p>No. Date Revision</p>		
<p>Project No. CLA-6430</p> <p>Proj. Engineer E.M.B.</p> <p>Date: 2/11/2020</p> <p>Sheet No. <b>4</b></p>		



M:\6000\6430\6430 Benz Street Solar Drawings\1-CURRENT\04-05 SITE GRADING PLAN-BENZ.dwg



**LEGEND:**

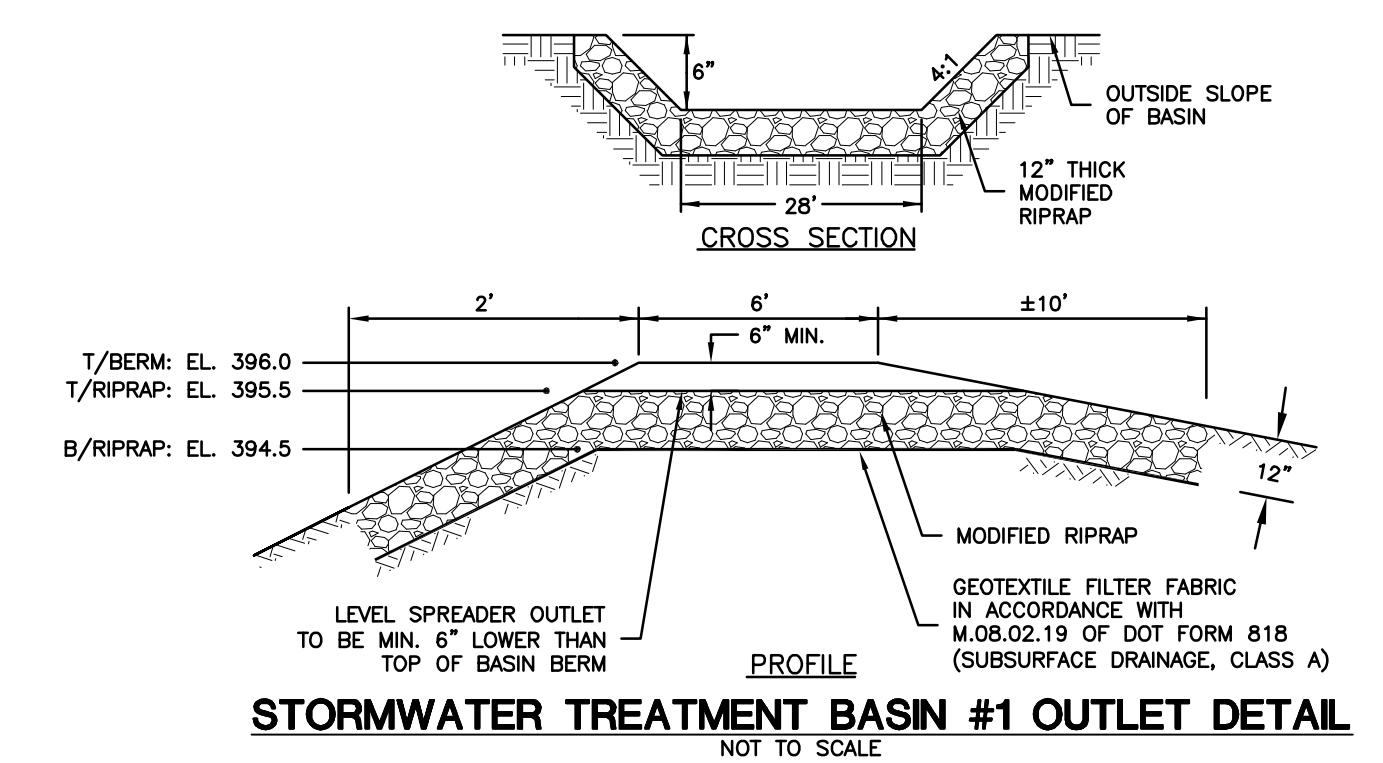
- EXISTING PROPERTY LINE
- - - PROPOSED FENCE
- ▨ PROPOSED GRAVEL ACCESS ROAD
- PROPOSED UNDERGROUND MV CABLE
- PROPOSED OVERHEAD ELECTRIC
- EXISTING CONTOUR
- PROPOSED CONTOUR
- ▭ 26 x 2 SOLAR MODULE BOCK
- ▭ 13 x 2 SOLAR MODULE BOCK
- ▭ 100' WETLAND REGULATED AREA LIMIT
- ▭ 50' WETLAND BUFFER
- ▭ WETLAND DELINEATION LINE & AREA
- ▭ RIP-RAP BASIN OUTLET

**SEED MIX FOR STORMWATER TREATMENT BASIN**  
SEE SHEET 7 - LANDSCAPE PLAN FOR SEED MIX SPECIFICATIONS

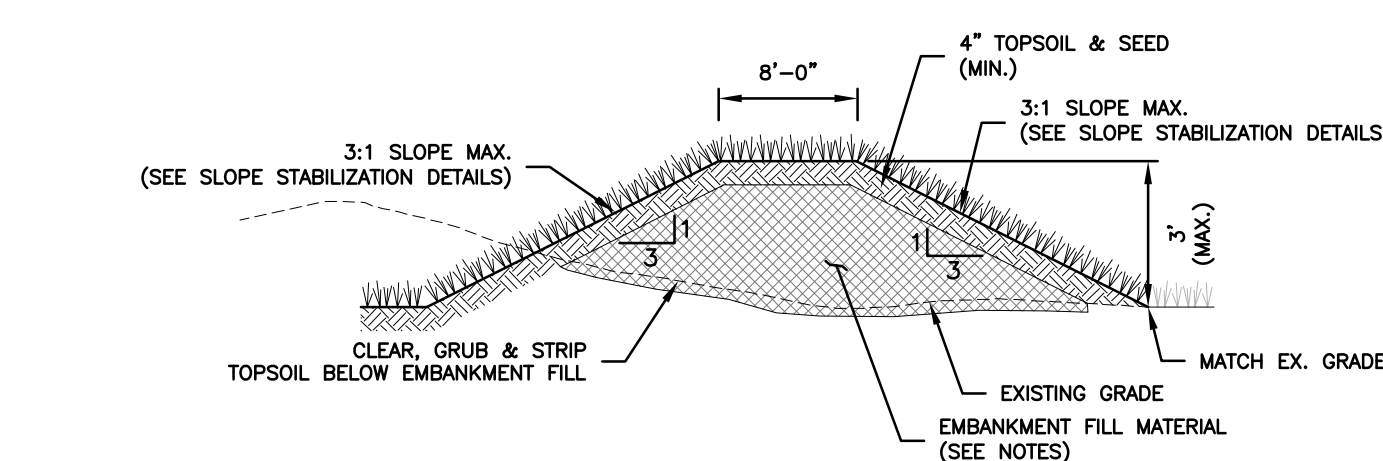
**PERVIOUS TOPSOIL MIX FOR STORMWATER TREATMENT BASINS**

THE FOLLOWING PERVIOUS TOPSOIL MIX SHALL BE USED IN THE STORMWATER TREATMENT BASINS. THE MATERIAL SHALL CONFORM TO THE REQUIREMENTS OF ARTICLE M.13.01.1 OF DOT FORM 817 WITH THE FOLLOWING GRADATION:

SIEVE	% PASSING	DO NOT COMPACT MATERIAL DURING INSTALLATION
#10	100%	
#40	60-80%	
#80	5%	
#200	0%	



**STORMWATER TREATMENT BASIN #1 OUTLET DETAIL**  
NOT TO SCALE



- NOTES:**
- EMBANKMENT FILL MATERIAL SHALL CONSIST OF THE FOLLOWING:
    - CLEAN MINERAL SOIL, FREE OF ROOTS, WOODY VEGETATION, STUMPS, SOD, OVERSIZED STONES, ROCKS, OR OTHER ORGANIC UNSUITABLE MATERIAL.
    - SHALL BE A NON-FREE DRAINING GLACIAL TILL.
    - MATERIAL SHALL CONTAIN AT LEAST 15% PASSING THE #200 SIEVE AND NOT MORE THAN 50% PASSING THE #100 SIEVE.
    - NO STONES LARGER THAN 6" SHALL BE ALLOWED WITHIN THE EMBANKMENT.
    - NO STONES LARGER THAN 3" SHALL BE ALLOWED WITHIN 2 FEET OF STRUCTURES.
  - EMBANKMENT FILL SHALL BE PLACED IN MAXIMUM 6" LIFTS. THE EXISTING GRADE AND THE SURFACE OF EACH LIFT SHALL BE SCARIFIED PRIOR TO THE PLACEMENT OF THE NEXT LIFT.
  - EMBANKMENT FILL SHALL BE COMPACTED TO 90%-95% STANDARD PROCTOR COMPACTION.

**STORMWATER TREATMENT BASIN EMBANKMENT FILL SECTION DETAIL**  
NOT TO SCALE

No.	Date	Revision
9	6/24/2021	MISC. UPDATES AND REVISIONS
8	5/24/2021	MISC. UPDATES AND REVISIONS
7	4/19/2021	MISC. UPDATES AND REVISIONS
6	3/27/2021	MISC. UPDATES AND REVISIONS
5	3/17/20	MISC. UPDATES AND REVISIONS PER CSC
4	7/24/20	MISC. UPDATES AND REVISIONS
3	12/22/20	2 SHP CSC SUBMISSION
2	4/1/20	REVISED HYDROLOGY
1	2/11/20	CSC SUBMISSION

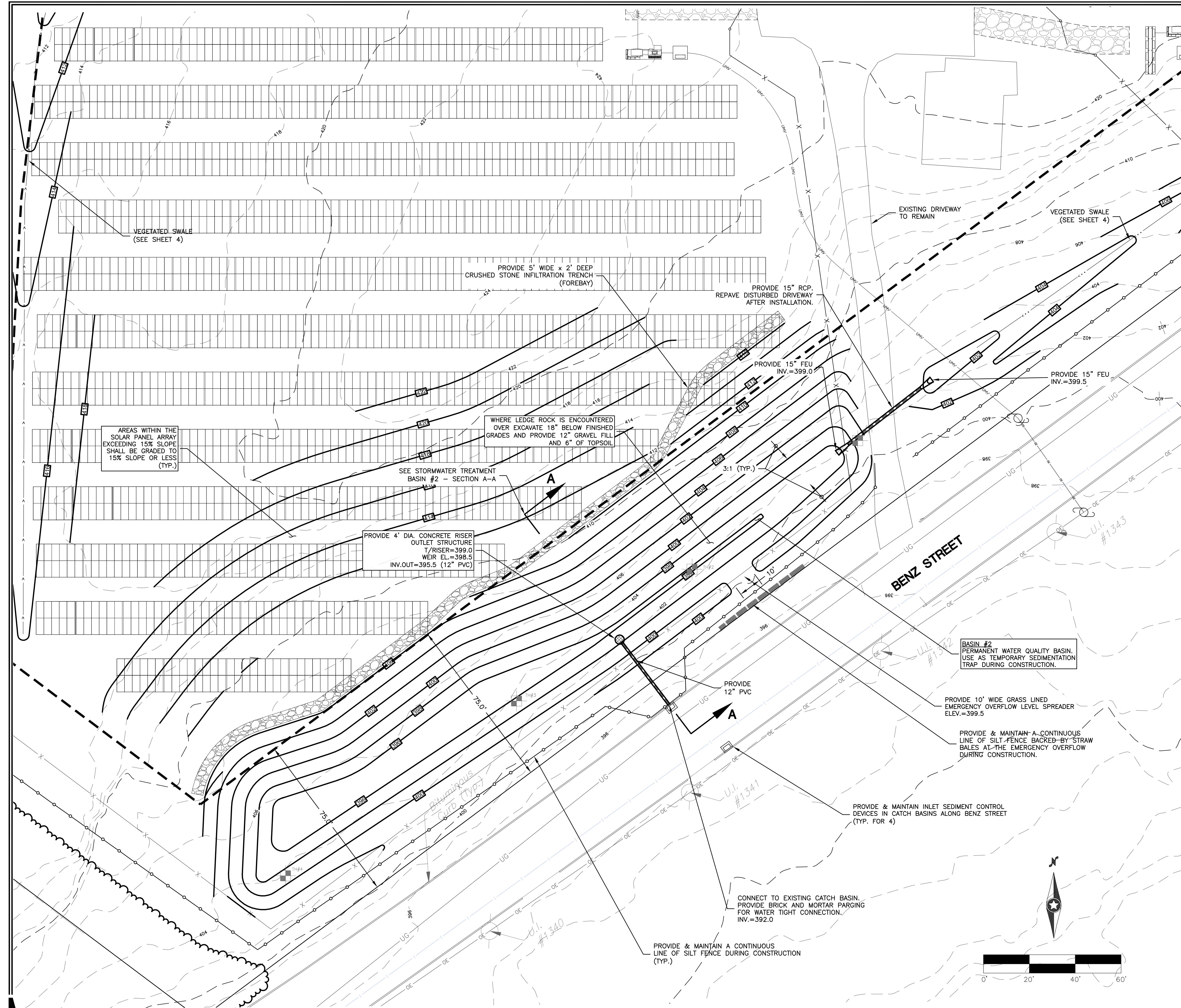
**CLA Engineers, Inc.**  
CIVIL · STRUCTURAL · SURVEYING  
317 Main Street Norwich, Connecticut  
(860) 886-1966 Fax (860) 886-9165



Project No. CLA-6430  
Proj. Engineer E.M.B.  
Date: 2/11/2020  
Sheet No. 5

**BENZ STREET SOLAR**  
GRADING PLAN : BASIN #1

M:\6000\6430\6430 Benz Street Solar Drawings\1-CURRENT\04-05 SITE GRADING PLAN-BENZ.dwg

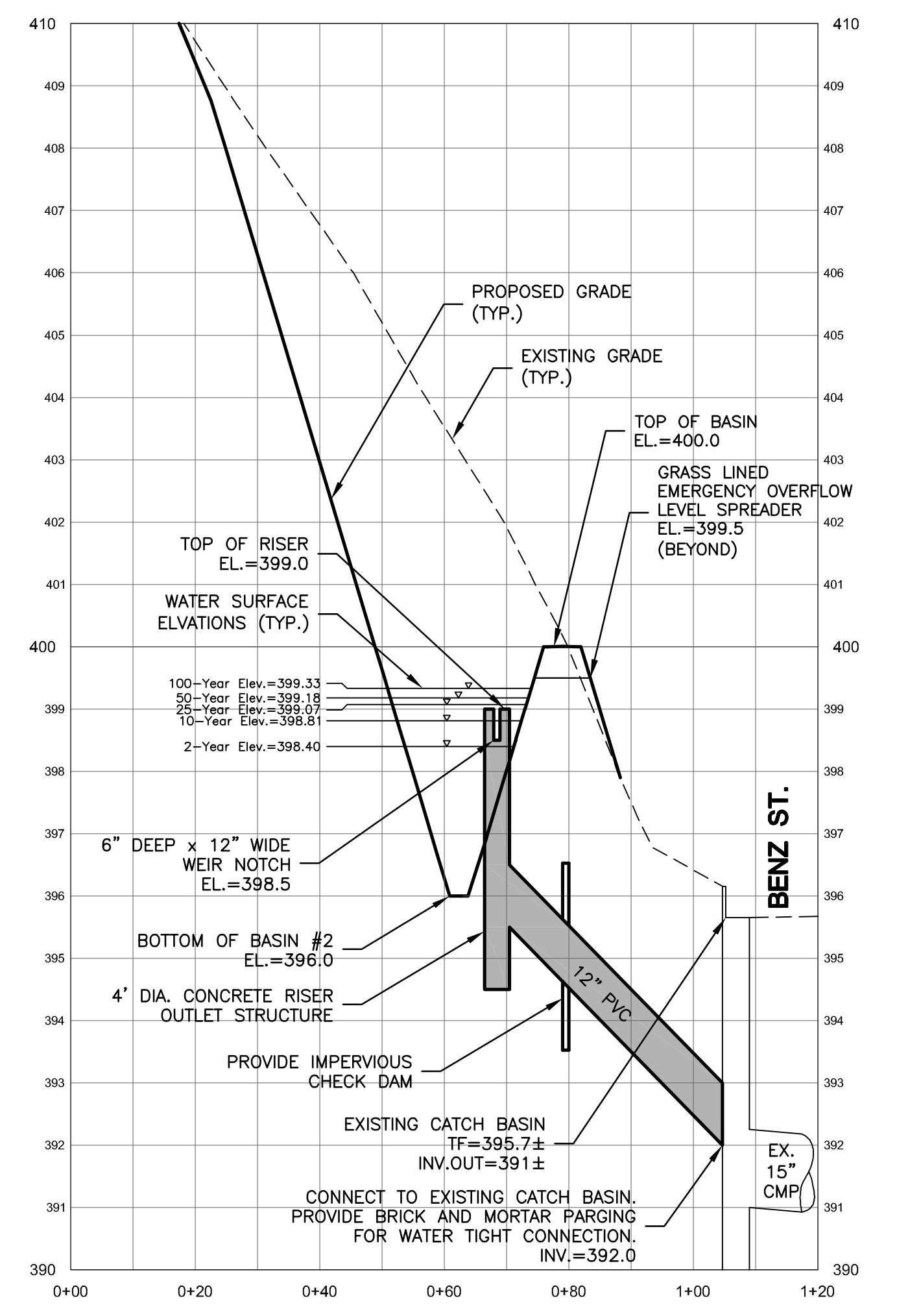


- LEGEND:**
- EXISTING PROPERTY LINE
  - - - PROPOSED FENCE
  - ▨ PROPOSED GRAVEL ACCESS ROAD
  - MV — PROPOSED UNDERGROUND MV CABLE
  - OE — PROPOSED OVERHEAD ELECTRIC
  - ~ EXISTING CONTOUR
  - - - PROPOSED CONTOUR
  - ▭ 26 x 2 SOLAR MODULE BOCK
  - ▭ 13 x 2 SOLAR MODULE BOCK
  - 100' WETLAND REGULATED AREA LIMIT
  - 50' WETLAND BUFFER
  - WETLAND DELINEATION LINE & AREA
  - ▭ RIP-RAP BASIN OUTLET

**SEED MIX FOR STORMWATER TREATMENT BASIN**  
SEE SHEET 7 – LANDSCAPE PLAN FOR SEED MIX SPECIFICATIONS

**PERVIOUS TOPSOIL MIX FOR STORMWATER TREATMENT BASINS**  
THE FOLLOWING PERVIOUS TOPSOIL MIX SHALL BE USED IN THE STORMWATER TREATMENT BASINS. THE MATERIAL SHALL CONFORM TO THE REQUIREMENTS OF ARTICLE M.13.01.1 OF DOT FORM 817 WITH THE FOLLOWING GRADATION:

SIEVE	% PASSING	DO NOT COMPACT MATERIAL DURING INSTALLATION
#10	100%	
#40	60-80%	
#80	5%	
#200	0%	



**STORMWATER TREATMENT BASIN #2 - SECTION A-A**  
SCALE: HORIZ: 1"=20'  
VERT: 1"=2'

No.	Date	Revision
9	9/24/2021	MISC. UPDATES AND REVISIONS
8	5/24/2021	MISC. UPDATES AND REVISIONS
7	4/12/2021	MISC. UPDATES AND REVISIONS
6	3/27/2021	MISC. UPDATES AND REVISIONS
5	3/17/20	MISC. UPDATES AND REVISIONS PER CSC
4	7/24/20	MISC. UPDATES AND REVISIONS
3	12/22/20	2-HP CSC SUBMISSION
2	4/1/20	REVISED HYDROLOGY
1	2/11/20	CSC SUBMISSION

**CLA Engineers, Inc.**  
CIVIL · STRUCTURAL · SURVEYING  
317 Main Street Norwich, Connecticut  
(860) 886-1966 Fax (860) 886-9165

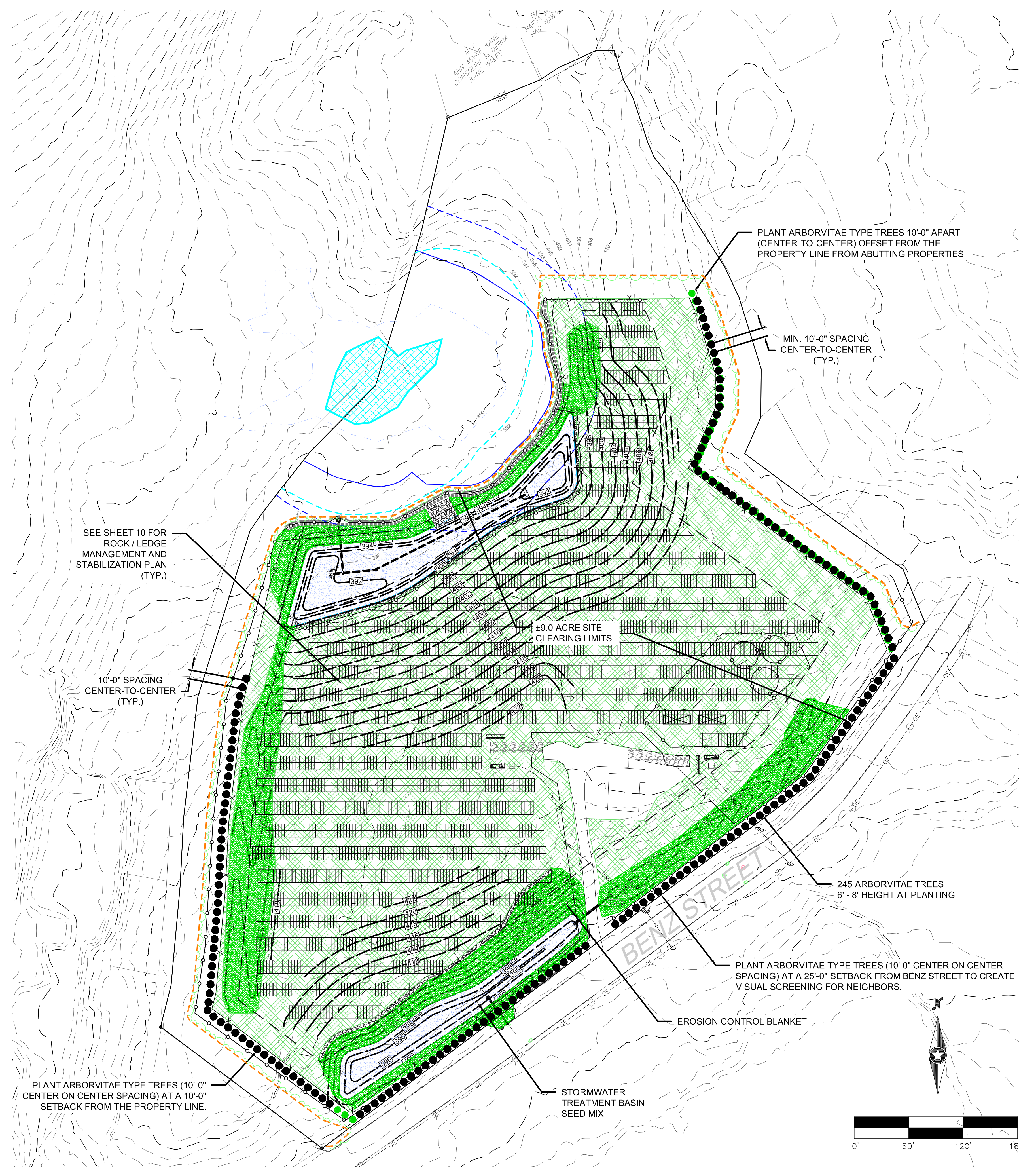


Project No. CLA-6430  
Proj. Engineer E.M.B.  
Date: 2/11/2020  
Sheet No. **6**

**BENZ STREET SOLAR**  
GRADING PLAN : BASIN #2

M:\6000\6430\6430 Benz Street Solar Drawings\Current\04-06 SITE GRADING PLAN-BENZ.dwg





**LEGEND:**

- EXISTING PROPERTY LINE
- - - PROPOSED FENCE
- PROPOSED GRAVEL ACCESS ROAD
- PROPOSED UNDERGROUND MV CABLE
- PROPOSED OVERHEAD ELECTRIC
- EXISTING CONTOUR
- PROPOSED CONTOUR
- - - PROPOSED CLEARING LIMITS
- ▭ 26 x 2 SOLAR MODULE BOCK
- ▭ 13 x 2 SOLAR MODULE BOCK
- - - 100' WETLAND REGULATED AREA LIMIT
- - - WETLAND DELINEATION LINE & AREA
- ▭ RIP-RAP BASIN OUTLET

**SEED LEGEND:**

- ▭ STORMWATER BASIN SEED MIX (AREA = 0.45 AC)
- ▭ EROSION CONTROL BLANKET WITH SEED (AREA = 1.65 AC)
- ▭ SOLAR ARRAY SEEDING / HAY MULCH EROSION CONTROL (AREA = 7.9 AC)

**SEED MIX FOR STORMWATER TREATMENT BASINS:**

THE NEW ENGLAND EROSION CONTROL/RESTORATION MIX FOR DETENTION BASINS AND MOIST SITES CONTAINS A SELECTION OF NATIVE GRASSES AND WILDFLOWERS DESIGNED TO COLONIZE RECENTLY DISTURBED SITES WHERE QUICK GROWTH OF VEGETATION IS DESIRED TO STABILIZE THE SOIL SURFACE. IT IS AN EXCELLENT SEED MIX FOR ECOLOGICALLY APPROPRIATE RESTORATIONS ON MOIST SITES THAT REQUIRE QUICK STABILIZATION AS WELL AS LONG-TERM ESTABLISHMENT OF NATIVE VEGETATION. THIS MIX IS PARTICULARLY APPROPRIATE FOR DETENTION BASINS THAT DO NOT NORMALLY HOLD STANDING WATER. SOME PLANTS IN THIS MIX CAN TOLERATE INFREQUENT INUNDATION, BUT NOT CONSTANT FLOODING.

SEEDING: THE MIX MAY BE APPLIED BY HYDROSEEDING, BY MECHANICAL SPREADER, BY HYDRO-SEEDING OR ON SMALL SITES IT CAN BE SPREAD BY HAND. WHEN APPLYING ON BARE SOIL, RAKE THE SOIL TO CREATE GROOVES, APPLY SEED, THEN LIGHTLY RAKE OVER. IN NEW ENGLAND, THE BEST RESULTS ARE OBTAINED WITH A SPRING OR EARLY FALL SEEDING. SUMMER AND LATE FALL SEEDING WILL BENEFIT WITH A LIGHT MULCHING OF WEED-FREE STRAW TO CONSERVE MOISTURE. LATE FALL AND WINTER DORMANT SEEDING REQUIRE A SLIGHT INCREASE IN THE SEEDING RATE. FERTILIZATION IS NOT REQUIRED UNLESS THE SOILS ARE PARTICULARLY INFERTILE.

APPLICATION RATE: 35 LBS/ACRE (1250 SQ. FT./LB.)

SPECIES \* : SWITCHGRASS (PANICUM VIRGATUM), VIRGINIA WILD RYE (ELYMUS VIRGINICUS), CREEPING RED FESCUE (FESTUCA RUBRA), FOX SEDGE (CAREX VULPINOIDEA), CREEPING BENTGRASS (AGROSTIS STOLONIFERA), SOFT RUSH (JUNCUS EFFUSUS), NEW ENGLAND ASTER (ASTER NOVAE-ANGLIAE), GRASS-LEAVED GOLDENROD (EUTHAMIA GRAMINIFOLIA), GREEN BULRUSH (SCIRPUS ATROVIRENS), BONESET (ELAPATORIUM PERFORIATUM), BLUE VERVAIN (VERBENA HASTATA) UPLAND BENTGRASS (AGROSTIS PERENNANS), BIG BLUESTEM, NAUGRA (ANDROPODON GERARDII), SENSITIVE FERN (ONOCLEA SENSIBILIS), LITTLE BLUESTEM (SCHIZACHYRIUM SCOPARIUM), WOOLGRASS (SCIRPUS CYPERINUS).

**SEEDING NOTES:**

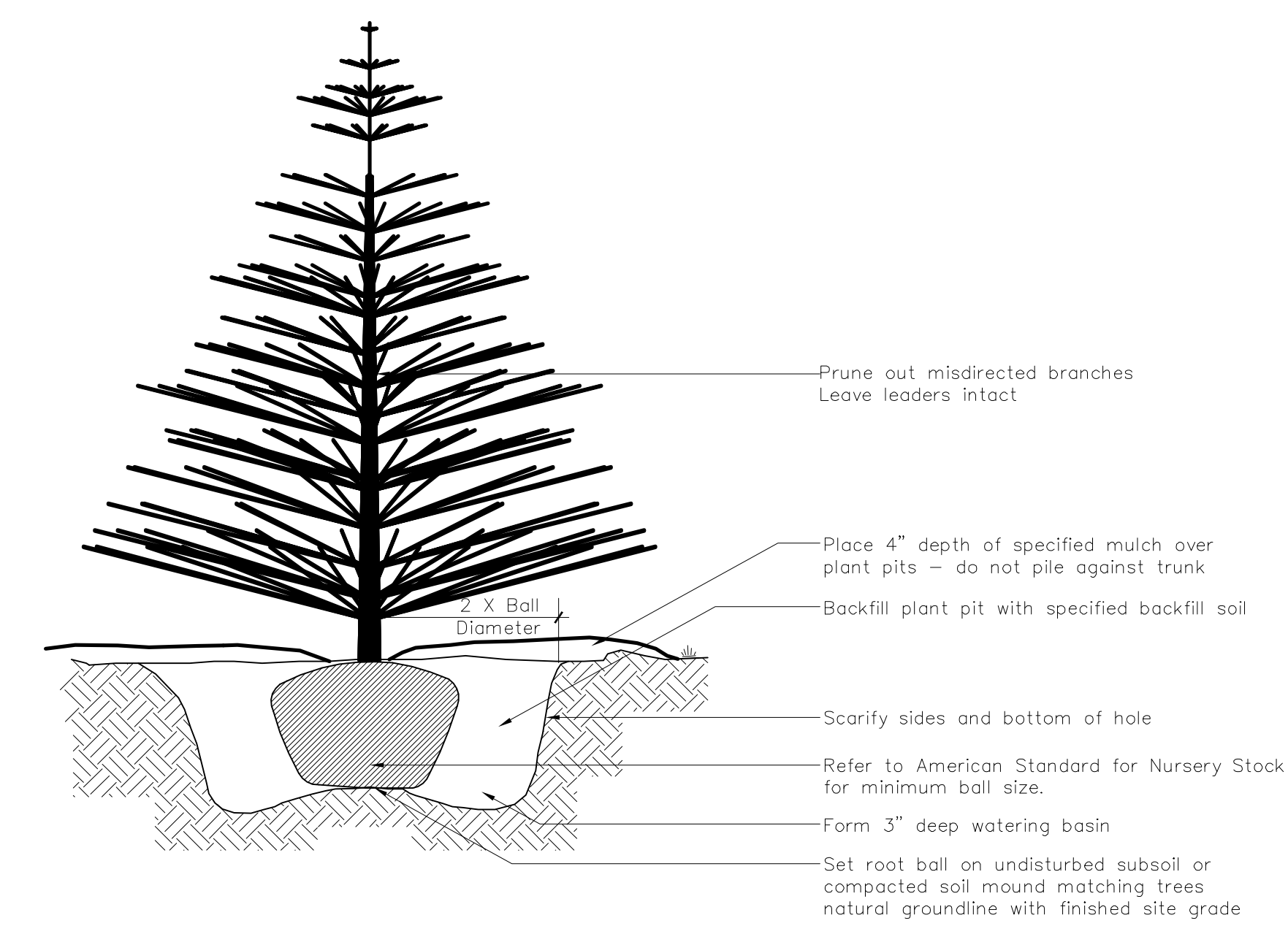
- THE CONTRACTOR SHALL SEED ALL DISTURBED AREAS ASSOCIATED WITH TREE AND ROCK REMOVAL AND SITE CLEARING. CONTRACTOR SHALL A INSTALL A 50% / 50% CLOVER / FESCUE MIX OR ENGINEER APPROVED ALTERNATE SEED MIXTURE.
- ALL SEDIMENT TRAP SIDE SLOPES ARE 3:1 AND SHALL BE SEEDED AND BLANKETED

**PERVIOUS TOPSOIL MIX FOR STORMWATER TREATMENT BASINS:**

THE FOLLOWING PERVIOUS TOPSOIL MIX SHALL BE USED IN THE STORMWATER TREATMENT BASINS. THE MATERIAL SHALL CONFORM TO THE REQUIREMENTS OF ARTICLE M.13.01.1 OF DOT FORM 817 WITH THE FOLLOWING GRADATION:

SIEVE	% PASSING	DO NOT COMPACT MATERIAL DURING INSTALLATION
#10	100%	
#40	60-80%	
#80	5%	
#200	0%	

**ARBORVITAE TREE DETAIL:**



No.	Date	Revision
0	0/24/2021	MISC. UPDATES AND REVISIONS
1	0/24/2021	MISC. UPDATES AND REVISIONS
2	3/15/2021	MISC. UPDATES AND REVISIONS
3	3/23/2021	MISC. UPDATES AND REVISIONS
4	3/23/2021	MISC. UPDATES AND REVISIONS
5	3/23/2021	MISC. UPDATES AND REVISIONS PRE CSC
6	7/24/20	MISC. UPDATES AND REVISIONS
7	12/22/20	2" MIN. CSC SUBMISSION
8	4/1/20	REVISED HYDROLOGY
9	2/11/20	CSC SUBMISSION

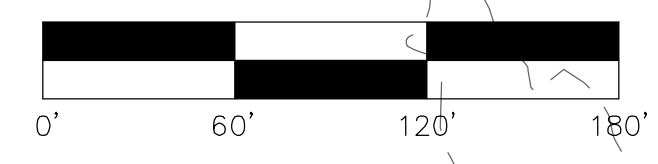
**CLA Engineers, Inc.**  
 CIVIL • STRUCTURAL • SURVEYING  
 317 Main Street Norwich, Connecticut  
 (860) 886-1966 Fax (860) 886-9165



Project No. CLA-6430  
 Proj. Engineer E.M.B.  
 Date: 2/11/2020  
 Sheet No. 7

**BENZ STREET SOLAR**

LANDSCAPE PLAN



M:\6000\6430\6430 Benz Street Solar Drawings\Current\07 LANDSCAPE PLAN-BENZ.rvt



KOP 4 - MIDDLE OF SITE LOOKING EAST



KOP 5 - EASTERN MIDDLE OF SITE LOOKING SOUTH



KOP 6 - SOUTH WEST OF SITE LOOKING EAST



KOP 3 - NORTHERN SITE, LOOKING SOUTH-EAST



KOP 2 - BENZ STREET LOOKING NORTH



KOP 1 - SOUTH OF BENZ STREET LOOKING NORTH-WEST

No.	Date	Revision
9	8/24/2021	MISC. UPDATES AND REVISIONS
8	5/24/2021	MISC. UPDATES AND REVISIONS
7	4/15/2021	MISC. UPDATES AND REVISIONS
6	3/25/2021	MISC. UPDATES AND REVISIONS
5	3/17/20	MISC. UPDATES AND REVISIONS PRE CSC
4	7/24/20	MISC. UPDATES AND REVISIONS
3	3/23/20	2 NEW CSC SUBMISSION
2	2/17/20	REVISED HYDROLOGY
1	2/11/20	CSC SUBMISSION

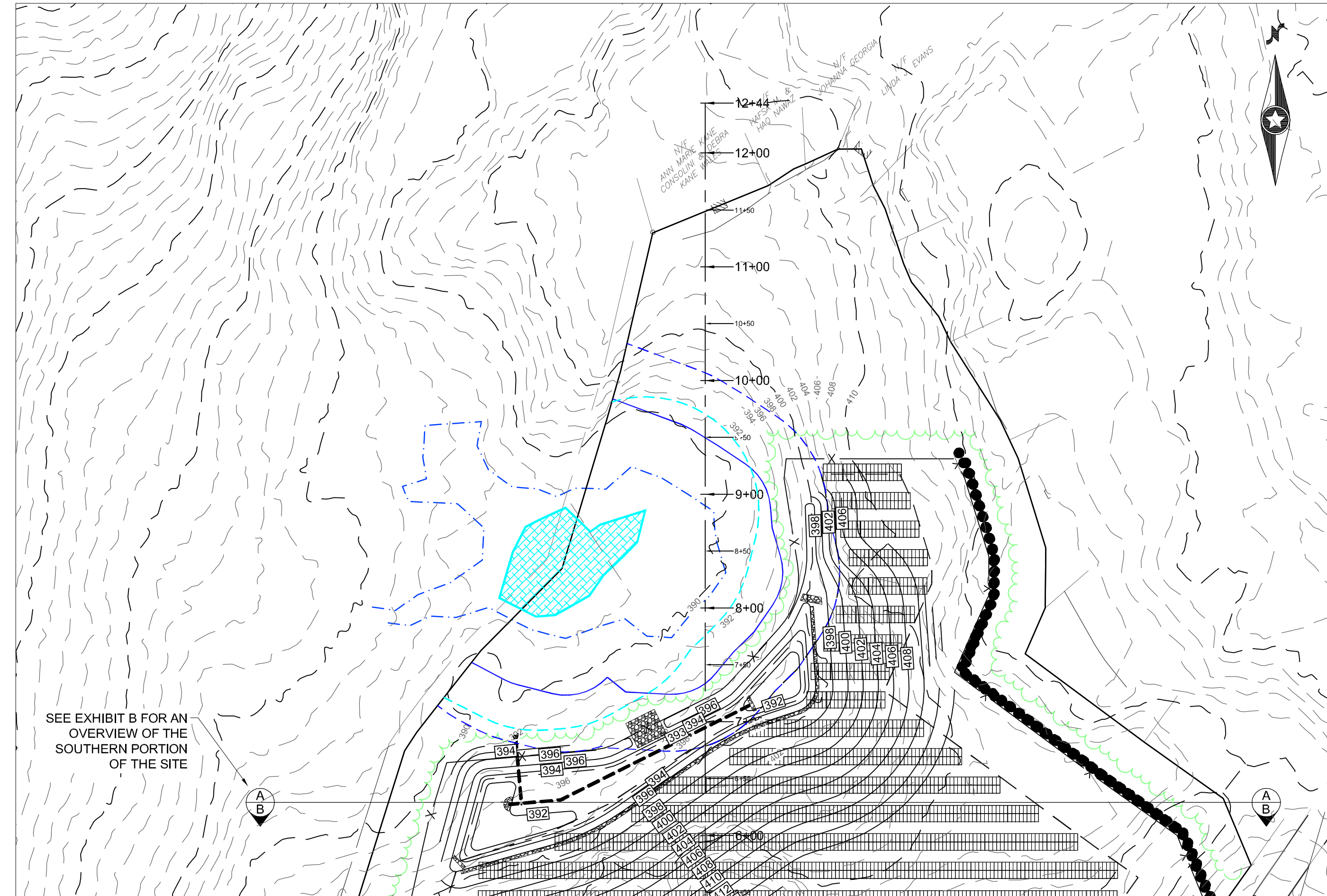
  

	<b>CLA Engineers, Inc.</b> CIVIL • STRUCTURAL • SURVEYING 317 Main Street Norwich, Connecticut (860) 886-1966 Fax (860) 886-9165	Project No. CLA-6430 Proj. Engineer E.M.B. Date: 2/11/2020 Sheet No.
	<b>BENZ STREET SOLAR</b> KEY OBSERVATION POINTS	<b>8</b>



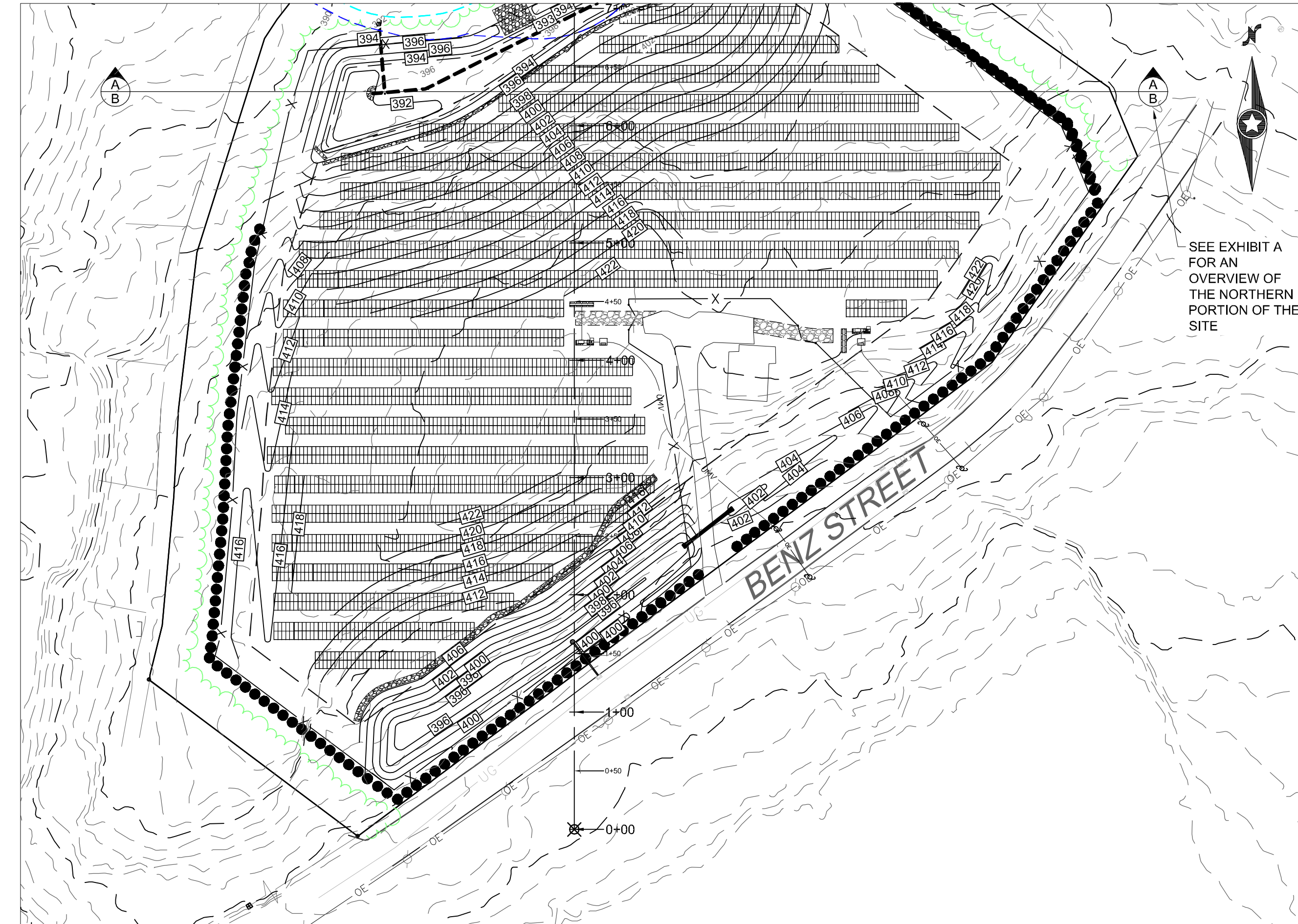
**EXHIBIT A: PROJECT CROSS SECTION (NORTHERN SITE VIEW)**

(SCALE: 1" = 80')

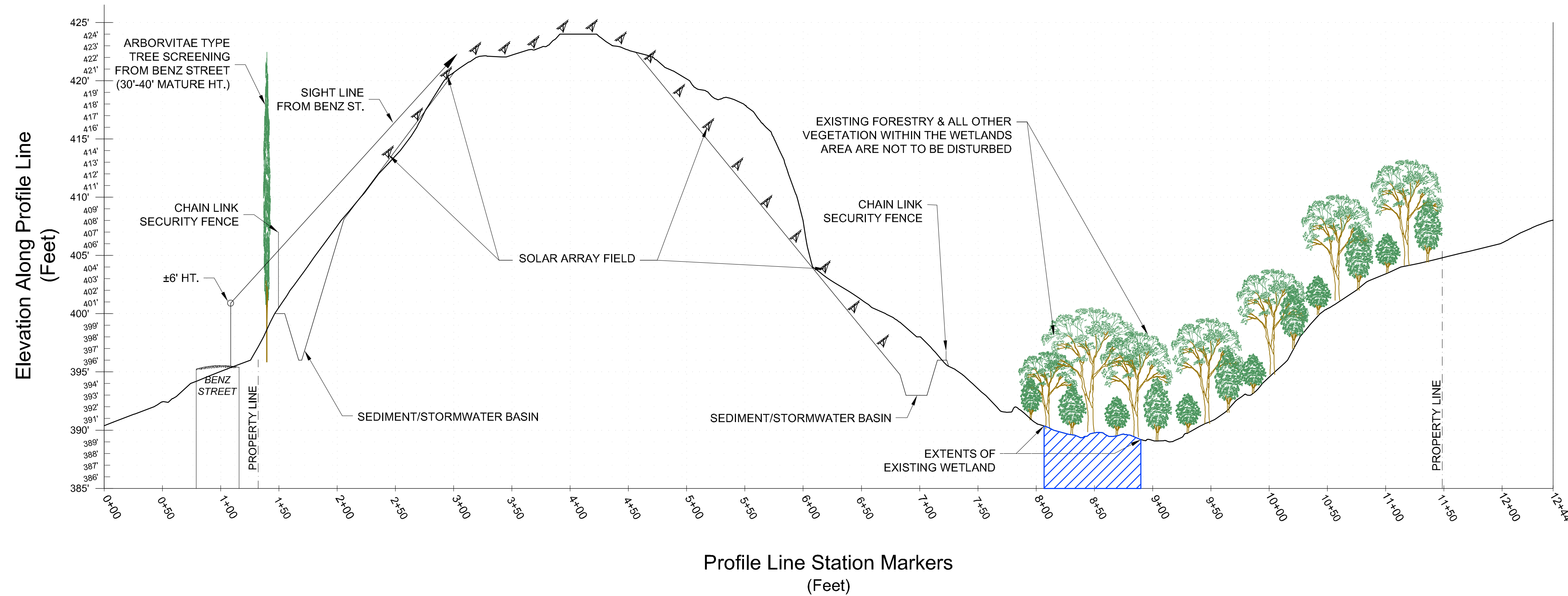


**EXHIBIT B: PROJECT CROSS SECTION (SOUTHERN SITE VIEW)**

(SCALE: 1" = 80')



**PROJECT PROFILE:**



No.	Date	Revision
9	9/24/2021	MISC. UPDATES AND REVISIONS
8	9/24/2021	MISC. UPDATES AND REVISIONS
7	4/15/2021	MISC. UPDATES AND REVISIONS
6	3/27/2021	MISC. UPDATES AND REVISIONS
5	3/17/20	MISC. UPDATES AND REVISIONS PRE CSC
4	7/24/20	MISC. UPDATES AND REVISIONS
3	12/27/20	FINAL CSC SUBMISSION
2	4/1/20	REVISED HYDROLOGY
1	2/11/20	CSC SUBMISSION

**CLA Engineers, Inc.**  
 CIVIL · STRUCTURAL · SURVEYING  
 317 Main Street Norwich, Connecticut  
 (860) 886-1966 Fax (860) 886-9165



31 BENZ STREET  
 ANSONIA, CT 06401  
**BENZ STREET SOLAR**  
 PROJECT CROSS SECTION

Project No. CLA-6430  
 Proj. Engineer E.M.B.  
 Date: 2/11/2020  
 Sheet No. **9**



M:\6000\6430\6430 Benz Street Solar Drawings\Current\09 X-SEC PLAN-BENZ.dwg

**ROAD DESIGN PARAMETERS**

- 1. ROAD MAINTENANCE CAN BE EXPECTED OVER THE LIFE OF THE PERMANENT FACILITY.

**SPECIAL PROVISIONS FOR GRADING AND EROSION CONTROL**

THE CONTRACTOR SHALL PROVIDE EROSION CONTROL MEASURES AS PLANNED AND SPECIFIED FOLLOWING BEST MANAGEMENT PRACTICES AS OUTLINED BY THE STATE OF CONNECTICUT AND BEING IN CONFORMANCE WITH THE NATIONAL POLLUTANT DISCHARGE ELIMINATION SYSTEM (NPDES) GENERAL STORMWATER PERMIT. SEE THE STORMWATER POLLUTION PREVENTION PLAN (SWPPP) FOR EROSION CONTROL AND RESTORATION SPECIFICATIONS. UNLESS OTHERWISE NOTED OR MODIFIED HEREIN, ALL SECTIONS OF THE GENERAL CONDITIONS SHALL APPLY.

**EXECUTION**

- 1. CLEARING AND GRUBBING
A. THE CONTRACTOR SHALL BE REQUIRED TO REMOVE ALL TREES, STUMPS, BRUSH, AND DEBRIS WITHIN THE GRADING LIMITS SHOWN ON THE PLANS. THE CONTRACTOR IS TO REMOVE ONLY THOSE TREES WHICH ARE DESIGNATED BY THE OWNER'S REPRESENTATIVE FOR REMOVAL, AND SHALL EXERCISE EXTREME CARE AROUND EXISTING TREES TO BE SAVED.
2. TOPSOIL STRIPPING
A. TOPSOIL SHALL BE STRIPPED FROM ALL ROADWAY AREAS THROUGH THE ROOT ZONE. TOPSOIL SHALL NOT BE STRIPPED OUTSIDE OF THE DESIGNATED DISTURBANCE AREAS.
B. ANY TOPSOIL, THAT HAS BEEN STRIPPED, SHALL BE RE-SPREAD OR STOCKPILED WITHIN GRADING AREAS AND/OR USED AS FILL OUTSIDE OF THE DISTURBANCE AREAS, AS DIRECTED BY THE ENGINEER.
3. EMBANKMENT CONSTRUCTION
A. EMBANKMENT CONSTRUCTION SHALL CONSIST OF THE PLACING OF SUITABLE FILL MATERIAL, AFTER TOPSOIL STRIPPING, ABOVE THE EXISTING GRADE. GENERALLY, EMBANKMENTS SHALL HAVE COMPACTED SUPPORT SLOPES OF TWO AND A HALF FEET HORIZONTAL TO ONE FOOT VERTICAL. THE MATERIAL FOR EMBANKMENT CONSTRUCTION SHALL BE OBTAINED FROM THE ACCESS ROAD EXCAVATION (SEE GEOTECHNICAL REPORT FOR RESTRICTIONS), OR ANY SUITABLE, APPROVED SOIL OBTAINED OFFSITE BY CONTRACTOR, AS DIRECTED OR APPROVED BY THE ENGINEER. THIS MATERIAL SHALL BE PLACED IN LIFTS NOT TO EXCEED 9".
B. SIDE SLOPES GREATER THAN 2.5:1 WILL NOT BE PERMITTED, UNLESS OTHERWISE NOTED ON THE PLAN.

**TESTING REQUIREMENTS:**

- 1. TESTING SHALL BE PERFORMED BY A DESIGNATED INDEPENDENT TESTING AGENCY.
2. SUBMIT TESTING AND INSPECTION RECORDS SPECIFIED TO THE CIVIL ENGINEER OF RECORD FOR REVIEW.
A. THE ENGINEER WILL REVIEW THE TESTING AND INSPECTION RECORDS TO CHECK CONFORMANCE WITH THE DRAWINGS AND SPECIFICATIONS. THE ENGINEER'S REVIEW DOES NOT RELIEVE THE CONSTRUCTION CONTRACTOR FROM THE RESPONSIBILITY FOR CORRECTING DEFECTIVE WORK.
3. PROOF ROLLING:
A. PROOF-ROLLING SHALL BE PERFORMED IN THE PRESENCE OF THE GEOTECHNICAL ENGINEER OR QUALIFIED GEOTECHNICAL REPRESENTATIVE USING A FULLY LOADED AXLE DUMP TRUCK WITH A MINIMUM GROSS WEIGHT OF 25 TONS OR A FULLY LOADED WATER TRUCK WITH AN EQUIVALENT AXLE LOADING. PROOF-ROLLING ACCEPTANCE STANDARDS INCLUDE NO RUTTING GREATER THAN 1.5 INCHES, AND NO "PUMPING" OF THE SOIL BEHIND THE LOADED TRUCK.
4. SIEVE ANALYSIS:
A. SIEVE ANALYSIS SHALL BE CONDUCTED IN ACCORDANCE WITH AASHTO T27
5. PROCTOR:
A. PROCTORS SHALL BE DETERMINED IN ACCORDANCE WITH ASTM D-1557
6. ATTERBERG LIMITS:
A. ATTERBERG LIMITS SHALL BE DETERMINED IN ACCORDANCE WITH AASHTO T89 AND T90
7. MOISTURE DENSITY (NUCLEAR DENSITY):
A. MOISTURE DENSITY TESTING SHALL BE DONE IN ACCORDANCE WITH AASHTO T310

**SUBGRADE COMPACTION, TEST ROLLING AND AGGREGATE BASE COMPACTION:**

- 1. FILL MATERIAL:
A. SOILS USED AS FILL MATERIAL SHALL BE TESTED FOR GRAIN SIZE ANALYSIS, MOISTURE CONTENT, ATTERBERG LIMITS ON FINES CONTENT, AND PROCTOR TESTS (MODIFIED DRY MAXIMUM DENSITY).
a. FOR PLACED & COMPACTED FILLS, PROVIDE ONE COMPACTION TEST PER LIFT FOR EVERY 1000 FT OF ROAD LENGTH. INCLUDE THE LOCATION, DRY DENSITY, MOISTURE CONTENT, AND COMPACTION PERCENT BASED ON MODIFIED PROCTOR MAXIMUM DRY DENSITY.
B. IN ROADWAY CUT AREAS, OR WHERE EMBANKMENT CONSTRUCTION REQUIRES LESS THAN 12 INCHES OF FILL PLACEMENT, COMPACT TO A MINIMUM OF 95 PERCENT OF THE MATERIAL'S MODIFIED PROCTOR MAXIMUM DRY DENSITY.
2. COMPACTED SUBGRADE:
A. THE ENTIRE SUBGRADE SHALL BE PROOF-ROLLED PRIOR TO THE PLACEMENT OF THE AGGREGATE BASE TO IDENTIFY AREAS OF UNSTABLE SUBGRADE.
B. IF PROOF ROLLING DETERMINES THAT THE SUBGRADE STABILIZATION CANNOT BE ACHIEVED, THE FOLLOWING ALTERNATIVES WILL BE IMPLEMENTED:
a. REMOVE UNSUITABLE MATERIAL AND REPLACE WITH SUITABLE EMBANKMENT.
b. SCARIFY, DRY, AND RECOMPACT SUBGRADE AND PERFORM ADDITIONAL PROOF ROLL.
c. INCREASE ROAD BASE THICKNESS.
C. PROVIDE 1 MOISTURE DENSITY COMPACTION TESTS FOR EVERY 1000 L.F. OF ROAD LENGTH. COMPACTED SUBGRADE MUST BE COMPACTED TO A MINIMUM OF 95% MODIFIED PROCTOR MAXIMUM DRY DENSITY AT ±3% OF OPTIMUM MOISTURE CONTENT FOR GRANULAR SOILS AND AT -1 TO +3% OF OPTIMUM MOISTURE CONTENT FOR COHESIVE SOILS.
3. AGGREGATE BASE:
A. AGGREGATE BASE SHALL BE PROOF-ROLLED OVER THE ENTIRE LENGTH. PROVIDE 1 SIEVE ANALYSIS PER 2500 CY OF ROAD BASE PLACED.
a. IF PROOF ROLLING DETERMINES THAT THE ROAD IS UNSTABLE, ADDITIONAL AGGREGATE SHALL BE ADDED UNTIL THE UNSTABLE SECTION IS ABLE TO PASS A PROOF ROLL.

**GENERAL NOTES:**

- 1. THE PLANIMETRIC FEATURES, GROUND SURFACE CONTOURS ON A LIDAR SURFACE PROVIDED NOAA.
2. NO GRADING OR SOIL DISTURBANCE IS PERMITTED OUTSIDE OF THE GRADING LIMITS IDENTIFIED ON THE PLANS.
3. GRADE ALL PROPOSED ROADS TO THE SLOPES PROPOSED ON THE PLANS.
4. THE CONTRACTOR IS RESPONSIBLE FOR MAINTAINING DRAINAGE THROUGHOUT THE CONSTRUCTION OF THIS PROJECT. CONSTRUCTION ACTIVITIES SHALL NOT BLOCK THE NATURAL OR MANMADE CREEKS OR DRAINAGE SWALES CAUSING RAINWATER TO POND. ADDITIONAL CULVERTS IN EXCESS OF THOSE ON THE PLANS MAY BE REQUIRED AS APPROVED BY THE ENGINEER.
5. THE CONTRACTOR SHALL NOTIFY DIGSAFE AT LEAST 48 HOURS BEFORE EXCAVATION ACTIVITIES COMMENCE.
6. WETLAND INFORMATION SHOWN ON THE PLAN WAS PROVIDED BY GODFREY, HOFFMAN, AND LODGE, LLC AND FLAGGED BY MATHEW DAVISON. THE GENERAL CONTRACTOR SHALL VERIFY THAT ALL WETLAND PERMITS HAVE BEEN SUBMITTED AND APPROVED PRIOR TO CONSTRUCTION COMMENCING.
7. ELECTRICAL COLLECTION SYSTEM SHOWN ON THE PLAN SHALL BE CONSIDERED PRELIMINARY. CONTRACTOR SHALL REFER TO FINAL ELECTRICAL DESIGN PLANS FOR ACTUAL DESIGN LOCATIONS.

**STORMWATER POLLUTION PREVENTION PLAN (SWPPC):**

- 1. REFER TO THE SWPPP BOOKLET FOR SEDIMENT AND EROSION CONTROL PROCEDURES, LOCATIONS OF BMPs, DETAILS, AND INSPECTION INFORMATION.
2. ALL AREAS DISTURBED DURING CONSTRUCTION ACTIVITIES AND NOT COVERED BY ROAD SURFACING MATERIALS, SHALL BE SEEDED IN ACCORDANCE WITH THE SWPPP PLAN.
3. TEMPORARY EROSION CONTROL SHALL BE THE RESPONSIBILITY OF THE CONTRACTOR. THE TEMPORARY EROSION CONTROL PLAN SHALL BE IN ACCORDANCE WITH STATE OF CONNECTICUT, THE EPA, AND THE SWPPC ON FILE.

**SLOPE STABILIZATION:**

ALL AREAS DESIGNATED ON THE PLAN FOR SLOPE STABILIZATION SHALL BE GRADED AND COMPACTED, SMOOTH AND CLEAN TO THE FINISH CONTOURS SHOWN ON THE PLAN, WITH A MINIMUM OF 4 INCHES OF TOPSOIL PLACED ON THE AREA. STABILIZATION SHALL BE ACHIEVED IN ONE OF TWO MANNERS:

- EITHER: 1) HAND-PLACED RIPRAP OR: 2) SEED WITH EROSION CONTROL AND REVEGETATION MAT (ECRM)

- 1. PLACEMENT OF RIP-RAP

RIPRAP HAND PLACED. HAND-PLACED RIPRAP SHALL CONSIST OF ROUGH UNHEWN QUARRY STONES, APPROXIMATELY RECTANGULAR, PLACED DIRECTLY ON THE SPECIFIED SLOPES OR SURFACES. IT SHALL BE SO LAID THAT THE WEIGHT OF THE LARGE STONES IS CARRIED BY THE SOIL RATHER THAN BY ADJACENT STONES. STONES SHALL WEIGH BETWEEN 50 AND 150 LB. EACH AND AT LEAST 60 % OF THEM SHALL WEIGH MORE THAN 100 LB. EACH WHEN USED ON EMBANKMENT CONSTRUCTION. RIP RAP FOR BMPs SHALL BE 6"-8" DIA. PREPARATION FOR HAND-PLACED RIP RAP. BEFORE ANY RIP RAP IS PLACED, THE SURFACE TO BE COVERED SHALL BE FULLY COMPACTED AND GRADED TO THE REQUIRED SLOPE. PLACE MIRAFITM8 OR APPROVED EQUAL GEOTEXTILE ON SLOPE. RIP RAP ON SLOPES SHALL COMMENCE COMMENCE IN A TRENCH BELOW THE TOW OF THE SLOPE AND SHALL PROGRESS UPWARD, EACH STONE BEING LAID BY HAND PERPENDICULAR TO THE SLOPE WITH THE LONG DIMENSION VERTICAL, FIRMLY BEDDED AGAINST THE SLOPE AND AGAINST THE ADJOINING STONE, WITH ENDS IN CONTACT, AND WITH WELL-BROKEN JOINTS. SIMILAR METHODS SHALL BE USED WHEN LAYING RIPRAP ON STREAM BEDS, IN DITCHES, AND ON LEVEL SURFACES.

THE FINISHED SURFACE OF THE RIPRAP SHALL PRESENT AN EVEN, TIGHT SURFACE, NOT LESS THAN 12 INCHES THICK, MEASURED PERPENDICULAR TO THE SLOPE.

THE STONES WEIGHING MORE THAN 100 LB. SHALL BE WELL DISPERSED THROUGHOUT THE AREA WITH THE 50-100 LB. STONES LAID BETWEEN THEM IN SUCH A MANNER THAT ALL STONES WILL BE IN CLOSE CONTACT. THE REMAINING VOIDS SHALL BE FILLED WITH SPALLS OF SUITABLE SIZE AND WELL TAMPED TO PRODUCE A FIRM AND COMPACT REVETMENT.

- 2. STABILIZATION WITH EROSION CONTROL AND REVEGETATION MAT (ECRM)
1) AREA MUST BE GRADED SMOOTH AND CLEAN TO FINISH GRADES, AND COMPACTED.
2) SEED AND MULCH AREA. USE SEED MIX APPROVED BY THE ENGINEER.
3) INSTALL ECRM PER MANUFACTURER'S INSTRUCTIONS, HOWEVER THESE MUST INCLUDE THE FOLLOWING MINIMUM REQUIREMENTS:

- A) GRADE GROUND TO FINISH CONTOURS, REMOVE ALL ROCKS, DIRT CLOUDS, STUMPS, ROOTS, TRASH, AND OTHER OBSTRUCTIONS LYING IN DIRECT CONTACT WITH THE SOIL SURFACE.
B) DIG MAT ANCHOR TRENCHES (MINIMUM 12" DEEP, 6" WIDE) AT TERMINAL ENDS AND PERIMETER SIDES WHERE MAT IS TO BE INSTALLED.
C) INSTALL MAT BY ROLLING UPHILL PARALLEL TO WATER FLOW, STARTING AT TRENCH. OVERLAP ROLLS BY MINIMUM OF 3". FASTEN TO GROUND WITH 18" PINS AND 1 1/2" WASHERS, OR EQUIVALENT. PIN MAT AT ENDS, AND EVERY 3' TO 5' ALONG OVERLAPS. DO NO STRETCH MAT. SPLICING ROLLS SHOULD BE DONE IN A CHECK SLOT. BACKFILL TO COVER ENDS AND FASTENERS, ROLLING MAT ACROSS BACKFILL AND PIN AGAIN.

FOR MAT USE MIRAFI MIRAMAT TM8 OR EQUIVALENT.

**INVASIVE SPECIES:**

- 1. ALL EQUIPMENT SHALL BE INSPECTED UPON ARRIVAL. EQUIPMENT ARRIVING WITH OBSERVABLE SOIL OR PLANT FRAGMENTS WILL BE REMOVED AND CLEANED.
2. STRAW BALES ARE NOT BE USED ON SITE; ONLY WEED-FREE STRAW BALES ARE APPROVED.
3. OFF-SITE TOPSOIL MUST BE FREE OF INVASIVE SPECIES. THE ENGINEER SHALL BE NOTIFIED OF THE TOPSOIL SOURCE 6 WEEKS BEFORE DELIVERY.

**SEDIMENTATION AND EROSION CONTROL PLAN**

CONTACT: STEVE BROYER ECOS ENERGY 222 SOUTH 9TH STREET SUITE 1600 MINNEAPOLIS MN 55402

THE PURPOSE OF THIS PROJECT IS TO INSTALL APPROXIMATELY 6136 SOLAR MODULES AND ASSOCIATED ELECTRICAL EQUIPMENT FOR POWER GENERATION.

THE TOTAL AREA OF THE PROJECT SITE IS APPROXIMATELY 12.7 ACRES AND THE TOTAL AREA OF THE SITE THAT IS EXPECTED TO BE DISTURBED BY CONSTRUCTION ACTIVITIES IS 10.7 ACRES.

THE EROSION & SEDIMENTATION CONTROL PLAN AND DETAILS HAVE BEEN DEVELOPED AS A STRATEGY TO CONTROL SOIL EROSION AND SEDIMENTATION DURING AND AFTER CONSTRUCTION. THIS PLAN IS BASED ON THE "2002 CONNECTICUT GUIDELINES FOR SOIL EROSION AND SEDIMENT CONTROL" BY THE CONNECTICUT COUNCIL ON SOIL AND WATER CONSERVATION IN COOPERATION WITH THE CONNECTICUT DEEP.

IN THE AREAS OF SOLAR PANEL INSTALLATION, THERE ARE SEVERAL ACTIVITIES (SITE GRADING, FOOTING INSTALLATION, PANEL INSTALLATION, AND ELECTRICAL TRENCH WORK) THAT WILL DISTURB SOIL. SOIL MUST BE PROMPTLY STABILIZED AFTER EACH ACTIVITY.

THIS PROJECT WILL NOT BE PHASED. THE DEVELOPMENT WILL FOLLOW THE CONSTRUCTION SEQUENCE PROVIDED ON THIS PLAN.

THE PROPOSED LOCATIONS OF SILTATION AND EROSION CONTROL MEASURES ARE SHOWN ON THE PLANS. THE CONTRACTOR SHALL PROVIDE SILT FENCE, HAY BALES, EROSION MAT, STONE CHECK DAMS, A CONSTRUCTION ENTRANCE, AND/OR OTHER EROSION CONTROL MEASURES AS NEEDED OR DIRECTED BY THE ENGINEER OR TOWN STAFF TO ADEQUATELY PREVENT SEDIMENT TRANSPORT.

EROSION AND SEDIMENTATION CONTROL MEASURES SHALL BE INSTALLED PRIOR TO SITE DISTURBANCE.

THE CONTRACTOR SHALL INSPECT, REPAIR AND/OR REPLACE EROSION CONTROL MEASURES EVERY 7 DAYS AND IMMEDIATELY FOLLOWING ANY SIGNIFICANT RAINFALL OR SNOW MELT. SEDIMENT DEPOSITS MUST BE REMOVED BEFORE DEPOSITS REACH APPROXIMATELY ONE HALF THE HEIGHT OF THE BARRIER. SEDIMENT CONTROL DEVICES SHALL REMAIN IN PLACE AND BE MAINTAINED BY THE CONTRACTOR UNTIL AREAS UPSLOPE ARE PERMANENTLY STABILIZED.

STAKED HAY BALE SILT BARRIERS OR SILT FENCE SHALL BE INSTALLED AROUND ANY TEMPORARY STOCKPILE AREAS. TEMPORARY VEGETATIVE COVER MAY BE REQUIRED (SEE NOTE).

CONTINUOUS DUST CONTROL USING WATER OR APPROVED EQUAL SHALL BE PROVIDED FOR ALL EARTH STOCKPILES, EARTH PILED ALONG EXCAVATIONS, SURFACES OF BACKFILLED TRENCHES AND GRAVELED ROADWAY SURFACES. THE USE OF CALCIUM CHLORIDE FOR DUST CONTROL SHALL NOT BE ALLOWED.

IF DEWATERING IS NECESSARY DURING ANY TIME OF CONSTRUCTION A CLEAR WATER DISCHARGE SHALL BE PROVIDED AS SHOWN IN THE HAY-BALE BARRIER DEWATERING DETAIL OR ALTERNATE METHOD PROPOSED BY THE CONTRACTOR AND APPROVED BY THE ENGINEER.

ALL DISTURBED AREAS SHALL BE RESTORED PER THE SLOPE STABILIZATION AND PERMANENT VEGETATION DETAILS. ALL DISTURBED AREAS THAT ARE SLOPED LESS THAN THREE HORIZONTAL TO ONE VERTICAL (3:1) SLOPE SHALL BE LOAMED, SEEDED, FERTILIZED AND MULCHED PER THE PERMANENT VEGETATIVE COVER SPECIFICATIONS. EROSION CONTROL MATTING SHALL BE PROVIDED ON ALL DISTURBED AREAS THAT ARE SLOPED MORE THAN THREE HORIZONTAL TO ONE VERTICAL (3:1).

IF FINAL SEEDING OF DISTURBED AREAS IS NOT TO BE COMPLETED BEFORE OCTOBER 15, THE CONTRACTOR SHALL PROVIDE TEMPORARY MULCHING (DORMANT SEEDING MAY BE ATTEMPTED AS WELL) TO PROTECT THE SITE AND DELAY PERMANENT SEEDING.

WHEN FEASIBLE, TEMPORARY SEEDING OF DISTURBED AREAS THAT HAVE NOT BEEN FINISHED GRADED SHALL BE COMPLETED PRIOR TO OCTOBER 15.

ON EACH FRIDAY AND ALSO ON THE DAY BEFORE ANY RAIN FORECAST OF 0.5 INCHES OR MORE, THE CONTRACTOR SHALL HAY MULCH ALL EXPOSED SOIL.

ANY EROSION WHICH OCCURS WITHIN THE DISTURBED AREAS SHALL BE IMMEDIATELY REPAIRED AND STABILIZED. DURING THE CONSTRUCTION PHASE, INTERCEPTED SEDIMENT SHALL BE RETURNED TO THE SITE. POST SEEDING, INTERCEPTED SEDIMENT, IF ANY, SHALL BE DISPOSED OF IN A MANNER APPROVED BY THE TOWN AND ENGINEER.

EROSION AND SEDIMENTATION CONTROL MEASURES SHALL REMAIN IN PLACE UNTIL VEGETATION IS RE-ESTABLISHED OR SLOPES ARE STABILIZED AND REMOVAL IS APPROVED BY THE ENGINEER.

UNFORESEEN PROBLEMS WHICH ARE ENCOUNTERED IN THE FIELD SHALL BE SOLVED ACCORDING TO THE "2002 CONNECTICUT GUIDELINES FOR SOIL EROSION AND SEDIMENT CONTROL" BY THE CONNECTICUT COUNCIL ON SOIL AND WATER CONSERVATION IN COOPERATION WITH THE CONNECTICUT DEEP.

THE CONTRACTOR SHALL PROVIDE THE NAME AND EMERGENCY CONTACT INFORMATION FOR THE PROJECT PERSONNEL RESPONSIBLE FOR EROSION AND SEDIMENTATION CONTROLS PRIOR TO THE START OF CONSTRUCTION.

THE OWNER WILL EMPLOY A CERTIFIED SOIL SCIENTIST TO PERFORM WEEKLY EROSION & SEDIMENTATION CONTROL INSPECTION.

- A. ROUTINE REPAIRS OR MODIFICATIONS SHALL BE COMPLETED BY THE CONTRACTOR WITHIN 48 HOURS AFTER DIRECTION BY THE INSPECTOR.
B. EMERGENCY REPAIRS SHALL BE COMPLETED IMMEDIATELY UPON DIRECTION BY THE INSPECTOR.

THE WETLANDS ENFORCEMENT OFFICER SHALL BE NOTIFIED AT LEAST 2 BUSINESS DAYS PRIOR TO CONSTRUCTION TO INSPECT EROSION CONTROLS.

STATE AND FEDERAL PERMITS REQUIRED: THIS PROJECT REQUIRES A PERMIT FROM THE STATE OF CONNECTICUT SITING COUNCIL.

THE FOLLOWING DOCUMENTS ARE CONSIDERED TO BE PART OF THIS EROSION AND SEDIMENTATION CONTROL PLAN: THE COMPLETE SITE PLANS, THE DRAINAGE NARRATIVE PREPARED BY CLA ENGINEERS, AND THE CTDEEP 2002 MANUAL.

**CONSTRUCTION SEQUENCE**

- 1. PRIOR TO THE COMMENCEMENT OF ANY CONSTRUCTION ACTIVITY AT THE SITE, APPLICANT BENZ SOLAR LLC SHALL
a. PROVIDE DEEP WITH A SIGNED LETTER FROM THE CITY OF ANSONIA AUTHORIZING THE CONNECTION OF BASIN NUMBER 2 (STORMWATER TREATMENT BASIN #2 OUTLET RISER DETAIL, PAGE 11 OF 11 OF THE CONSTRUCTION DOCUMENTS) WITH THE CITY OF ANSONIA'S STORMWATER SYSTEM
b. CONTACT WITH THE APPROPRIATE CONSERVATION DISTRICT TO PROVIDE INSPECTION SERVICES AT THE SITE PURSUANT TO APPENDIX F OF THE GENERAL PERMIT FOR THE DISCHARGE OF STORMWATER AND DEWATERING WASTEWATERS FROM CONSTRUCTION ACTIVITIES
c. CONTACT CALL BEFORE YOU DIG (811 OR 1-800-922-4455) TO MARK UTILITIES.
2. NOTIFY THE TOWN OF ANSONIA ZONING AND INLAND WETLANDS AGENTS OF START OF CONSTRUCTION A MINIMUM OF 48 HOURS IN ADVANCE.
3. HAVE CT LICENSED LAND SURVEYOR STAKE OUT THE CLEARING LIMITS AND PERIMETER EROSION CONTROL.
4. CUT TREES BUT DO NOT GRUB.
5. INSTALL CONSTRUCTION ENTRANCE.
6. INSTALL PERIMETER EROSION AND SEDIMENTATION CONTROLS (HAY BALES AND WOODCHIP MULCH) AND HAVE INSPECTED BY SITE INSPECTOR PRIOR TO GRUBBING OR GRADING ACTIVITIES.
7. EXCAVATE AND STABILIZE BASIN #1. IF DEWATERING IS NECESSARY FOR EXCAVATION PLEASE COORDINATE DEWATERING PLAN WITH QUALIFIED ENVIRONMENTAL PROFESSIONAL. INSTALL BASIN DRAIN OUTLET PIPING AND CAP PIPE IN THE BOTTOM OF THE BASIN. PROVIDE A STAKE MARKING THE CAP LOCATION. DO NOT INSTALL PERFORATED BASIN DRAIN AND CRUSHED STONE. BASIN #1 SHALL BE USED AS A TEMPORARY SEDIMENTATION BASIN DURING CONSTRUCTION. UPON COMPLETION OF THE BASIN #1 GRADING THE CONTRACTOR SHALL HAVE THE STABILIZED BASIN INSPECTED BY SITE INSPECTOR.
8. GRUB WATERSHED 1 SITE AREA AND PERFORM SITE GRADING AND STABILIZATION WITHIN WATERSHED 1 WORK AREA AS IDENTIFIED ON THE PLANS.
9. GRADE AND STABILIZE WESTERN SWALE TO BASIN #1.
10. PRIOR TO THE CONSTRUCTION TRANSITION TO WATERSHED #2, THE CONTRACTOR SHALL HAVE THE WATERSHED #1 GRADING AND STABILIZATION REVIEWED BY THE SITE INSPECTOR TO ENSURE APPROPRIATE STABILIZATION.
11. EXCAVATE AND STABILIZE BASIN #2. IF DEWATERING IS NECESSARY FOR EXCAVATION PLEASE COORDINATE DEWATERING PLAN WITH QUALIFIED ENVIRONMENTAL PROFESSIONAL. BASIN #2 SHALL BE USED AS A TEMPORARY SEDIMENTATION BASIN DURING CONSTRUCTION. UPON COMPLETION OF THE BASIN #2 GRADING THE CONTRACTOR SHALL HAVE THE STABILIZED BASIN INSPECTED BY SITE INSPECTOR.
12. GRADE AND STABILIZE EASTERN SWALE TO BASIN #2 AND INSTALL DRIVEWAY CULVERT.
13. GRUB WATERSHED 2 SITE AREA AND PERFORM ADDITIONAL SITE GRADING WITHIN WATERSHED 2 WORK AREA AS IDENTIFIED ON THE PLANS.
14. INSTALL ACCESS DRIVEWAY.
15. INSTALL PERIMETER CHAIN LINK FENCE AROUND ENTIRE SITE.
16. INSTALL THE BASIN DRAIN PERFORATED PIPE AND CRUSHED STONE WITHIN BASIN #1.
17. AFTER THE INITIAL GRADING WORK IS COMPLETE THE BASINS, SWALES, AND ALL DISTURBED AREAS SHALL BE LEFT FOR A MINIMUM OF ONE GROWING SEASON (APRIL 1ST THROUGH JUNE 15TH OR AUGUST 15TH THROUGH OCTOBER 15TH). THE SITE SHALL BE LEFT UNDISTURBED TO ALLOW NEW VEGETATION TO ESTABLISH. ROUTINE INSPECTIONS SHALL BE PERFORMED AND ANY ERODED AREAS OR BARE AREAS RESTORED. ANY WORK ASSOCIATED WITH THE INSTALLATION / RACKING OF THE SOLAR ARRAY WILL NOT COMMENCE UNTIL THE PERIMETER CONTROLS, INCLUDING, BUT NOT LIMITED TO, ALL SWALES AND BASINS, HAVE BEEN VEGETATIVELY STABILIZED.
18. INSTALL SOLAR RACKING FOUNDATIONS, AND RACKING, AND SOLAR MODULES. HYDROSEED OR SEED AND MULCH ANY EXPOSED SOIL AT THE END OF EACH WEEK AND BEFORE EVERY RAINFALL PREDICTED FOR 0.5 INCHES OR MORE.
19. TRENCH FOR AND INSTALL ELECTRIC LINES AND AT THE END OF EACH WEEK HYDROSEED OR MULCH AND SEED ANY EXPOSED SOIL AT THE END OF EACH WEEK AND BEFORE EVERY RAINFALL PREDICTED FOR 0.5 INCHES OR MORE.
20. INSTALL REMAINING ELECTRIC INFRASTRUCTURE AND AT THE END OF EACH WEEK HYDROSEED OR MULCH AND SEED ANY EXPOSED SOIL AT THE END OF EACH WEEK AND BEFORE EVERY RAINFALL PREDICTED FOR 0.5 INCHES OR MORE.
21. OVERSEED DISTURBED SOILS WHEN ALL SOLAR PANEL INSTALLATION AND ELECTRICAL TRENCHING IS COMPLETE.
22. CLEAN SEDIMENTS BASINS AND GRADE AND RE-SEED FOR USE AS STORMWATER BASINS WHEN SITE INSPECTOR DEEMS SOILS ARE STABILIZED.
23. INSTALL PERIMETER SCREENING PLANTINGS

**ROCK / LEDGE MANAGEMENT & STABILIZATION PLAN**

WITHIN STORMWATER BASINS

- 1. BOULDERS AND LOOSE ROCK, IF ENCOUNTERED, WITHIN THE STORMWATER BASINS SHALL BE REMOVED FROM THE BASIN LIMITS BY EXCAVATOR OR MECHANICAL MEANS ONLY. ANY VOIDS LEFT BY THE BOULDERS OR LOOSE ROCK SHALL BE BACKFILLED WITH GRAVEL FILL. PROVIDE TOPSOIL AND SEED MIX AS SPECIFIED ON THE PROJECT PLANS.
2. LEDGE, IF ENCOUNTERED, SHALL BE REMOVED BY MECHANICAL MEANS ONLY. BLASTING SHALL NOT BE PERMITTED AT THE SITE. LEDGE SHALL BE REMOVED TO A MINIMUM OF 18" BELOW FINISHED GRADE ELEVATION. 12" OF GRAVEL FILL AND 6" OF TOPSOIL SHALL BE INSTALLED OVER LEDGE. PROVIDE SEED MIX AS SPECIFIED ON THE PROJECT PLANS.

ROCK THROUGHOUT THE SITE

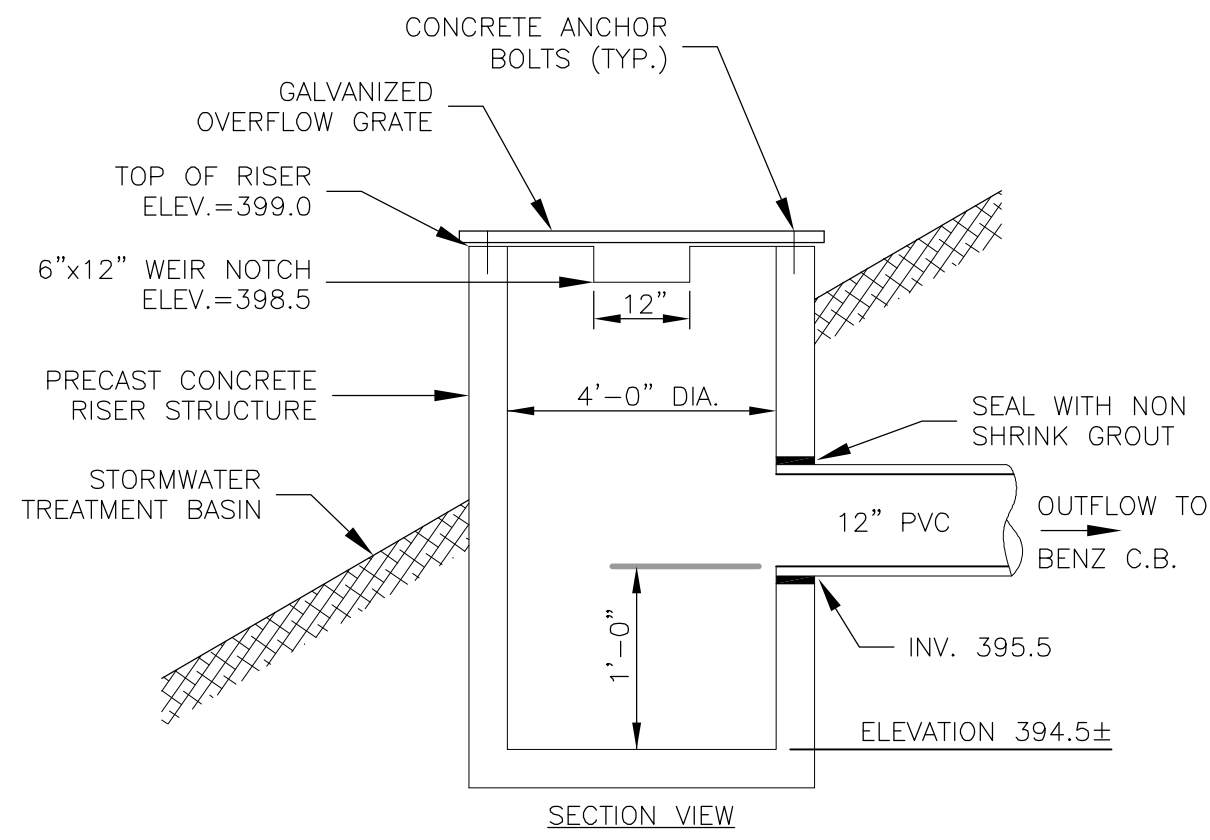
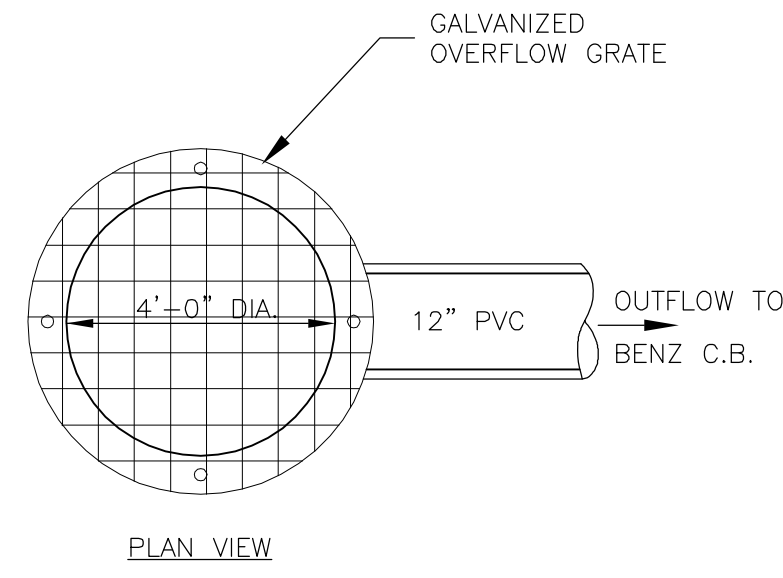
- 1. LEDGE, BOULDERS, OR LOOSE ROCK WHEN ENCOUNTERED THROUGHOUT THE REMAINING PORTIONS OF THE SITE SHALL BE REMOVED AS NEEDED TO PERFORM THE WORK. REMOVAL SHALL BE BY EXCAVATOR, OR BY MECHANICAL MEANS ONLY. BLASTING SHALL NOT BE PERMITTED AT THE SITE.
2. WHEN BOULDERS OR LOOSE ROCK IS EXCAVATED AS PART OF THE WORK, ANY VOIDS LEFT BEHIND SHALL BE BACKFILLED WITH GRAVEL FILL.
3. WHEN LEDGE IS ENCOUNTERED AT THE GROUND SURFACE WITHIN THE WORK AREA A MINIMUM OF 6" OF TOPSOIL, SEED, FERTILIZER, AND EROSION CONTROL MATTING SHALL BE INSTALLED OVER THE LEDGE AS CALLED FOR ON THE PROJECT PLANS. SEED, FERTILIZER, AND EROSION CONTROL MATTING MUST BE INSTALLED WITHIN 24 HOURS OF TOPSOIL PLACEMENT.
4. EXCAVATED ROCK MAY BE TEMPORARILY STORED ON SITE AND THE CONTRACTOR SHALL MANAGE THE MATERIAL IN EITHER OF THE FOLLOWING MANNERS, AT THEIR DISCRETION:
A. ROCK MAY BE REMOVED FROM THE SITE VIA TRUCKS AND/OR TRAILERS AND LEGALLY DISPOSED OF OR PROCESSED OFFSITE.
B. ROCK MAY BE CRUSHED ONSITE, PROCESSED, AND USED AS TRENCH BACKFILL OR AS GENERAL FILL ONSITE. PORTABLE CRUSHING EQUIPMENT, PROCESSING EQUIPMENT, AND STOCKPILES SHALL BE SURROUNDED BY SILT FENCE OR STRAW BALE BARRIERS.
C. BOULDERS MAY BE PLACED AROUND THE SITE PERIMETER TO BE USED AS SCREENING FEATURES. LOCATIONS SHALL BE COORDINATED WITH THE SITE OWNER.
5. PROCESSED ROCK PLACED ON THE SITE AS GENERAL FILL SHALL MAINTAIN THE STORMWATER DRAINAGE PATTERNS AS SHOWN ON THE PROJECT PLANS.

Table with 3 columns: No., Date, Revision. Contains revision history for the document.

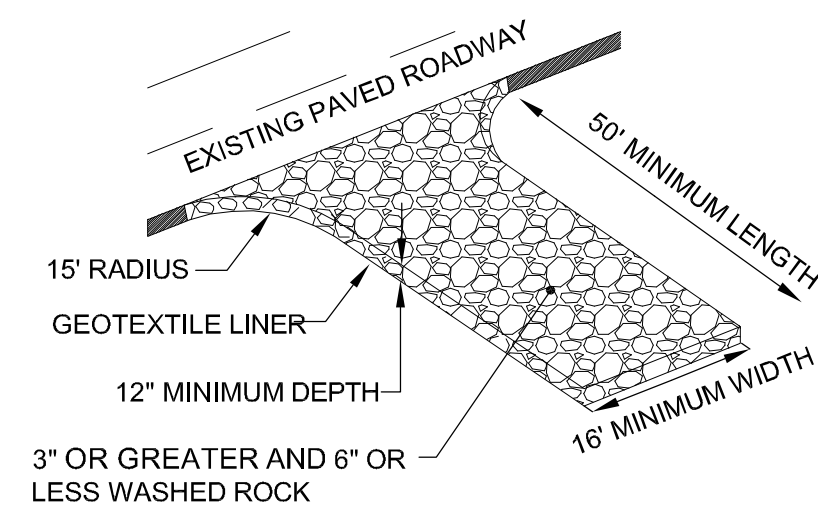
CLA Engineers, Inc. CIVIL · STRUCTURAL · SURVEYING

317 Main Street Norwich, Connecticut (860) 886-1966 Fax (860) 886-9165

Project No. CLA-6430, Project Engineer E.M.B., Date: 2/11/2020, Sheet No. 10. Includes logo for State of Connecticut Professional Engineer and BENZ STREET SOLAR CIVIL NOTES.

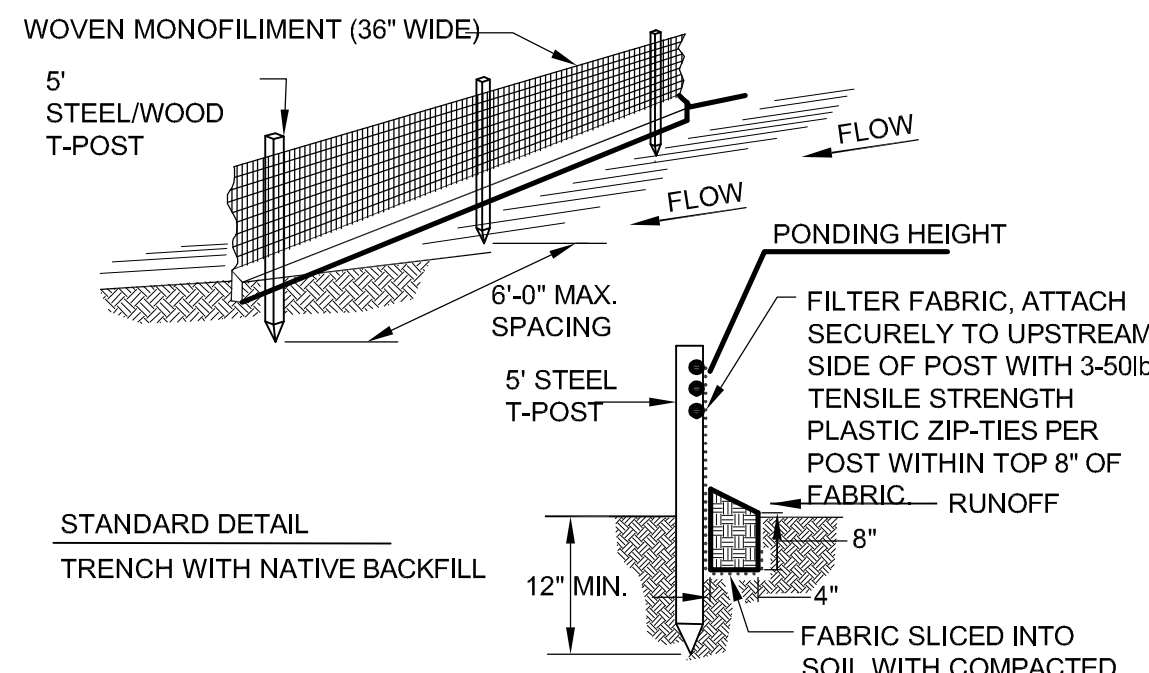


**STORMWATER TREATMENT BASIN #2  
OUTLET RISER STRUCTURE DETAIL**  
NOT TO SCALE



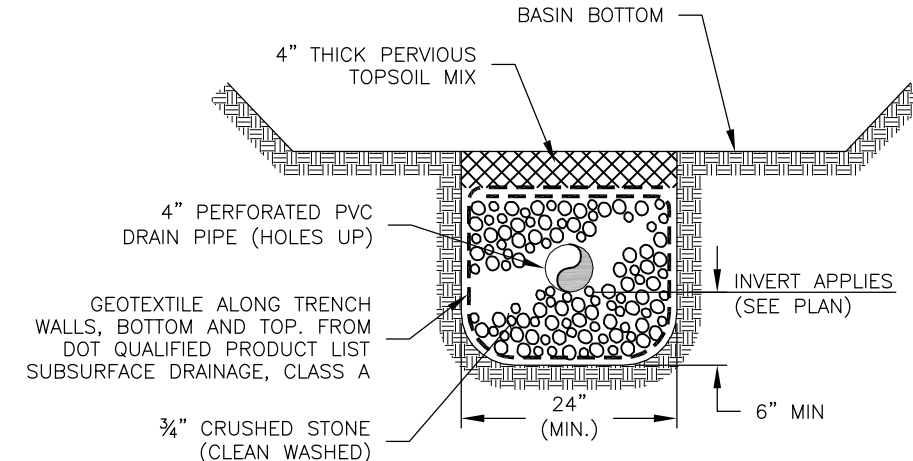
**NOTE:**  
ROCK CONSTRUCTION ENTRANCE SHOULD BE A MINIMUM THICKNESS OF 1.0' AND CONTAIN MAXIMUM SIDE SLOPES OF 4:1. ROCK ENTRANCE SHOULD BE INSPECTED AND MAINTAINED REGULARLY. ROCK ENTRANCE LENGTH MAY NEED TO BE EXTENDED IN CLAY SOILS.

**ROCK CONSTRUCTION ENTRANCE**  
NOT TO SCALE

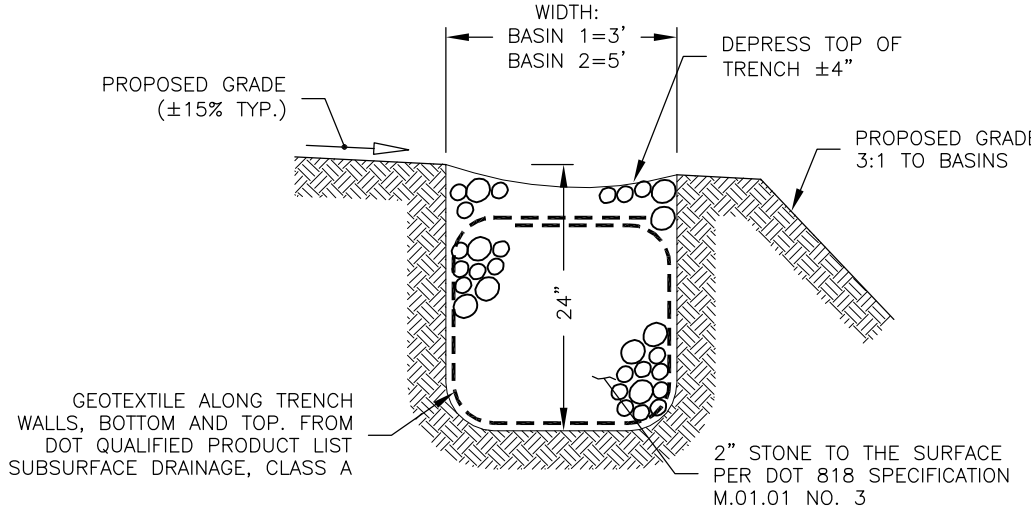


**NOTE:**  
1. INSPECT AND REPAIR FENCE AFTER EACH STORM EVENT AND REMOVE SEDIMENT WHEN ACCUMULATED TO 1/3 THE HEIGHT OF THE FABRIC OR MORE.  
2. REMOVED SEDIMENT SHALL BE DEPOSITED TO AN AREA THAT WILL NOT CONTRIBUTE SEDIMENT OFF-SITE AND CAN BE PERMANENTLY STABILIZED.  
3. SILT FENCE SHALL BE PLACED ON SLOPE CONTOURS TO MAXIMIZE PONDING EFFICIENCY.  
4. ALL ENDS OF THE SILT FENCE SHALL BE WRAPPED UPSLOPE SO THE ELEVATION OF THE BOTTOM OF FABRIC IS HIGHER THAN "PONDING HEIGHT".

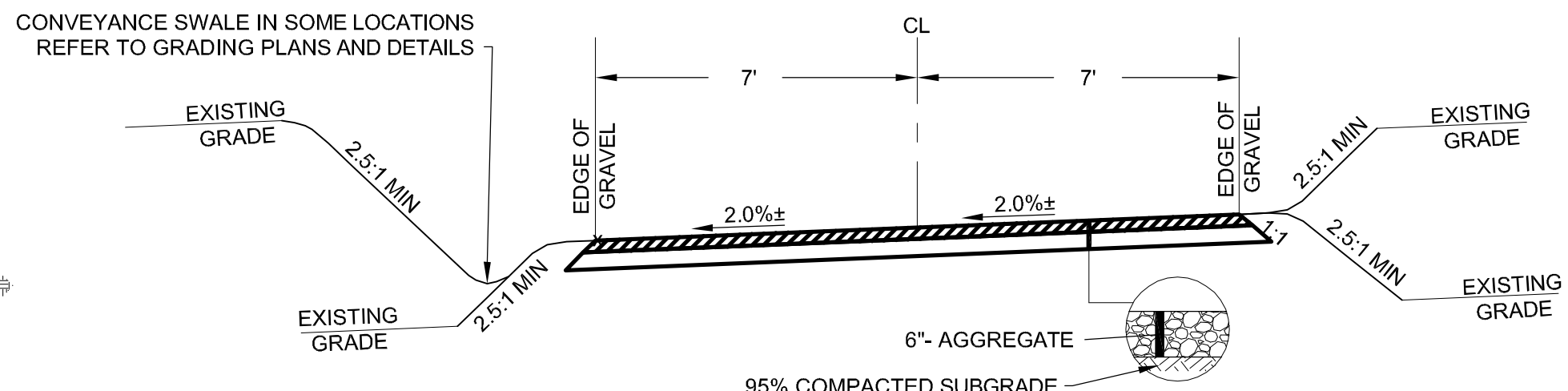
**SILT FENCE**  
NOT TO SCALE



**BASIN DRAIN DETAIL**  
NOT TO SCALE



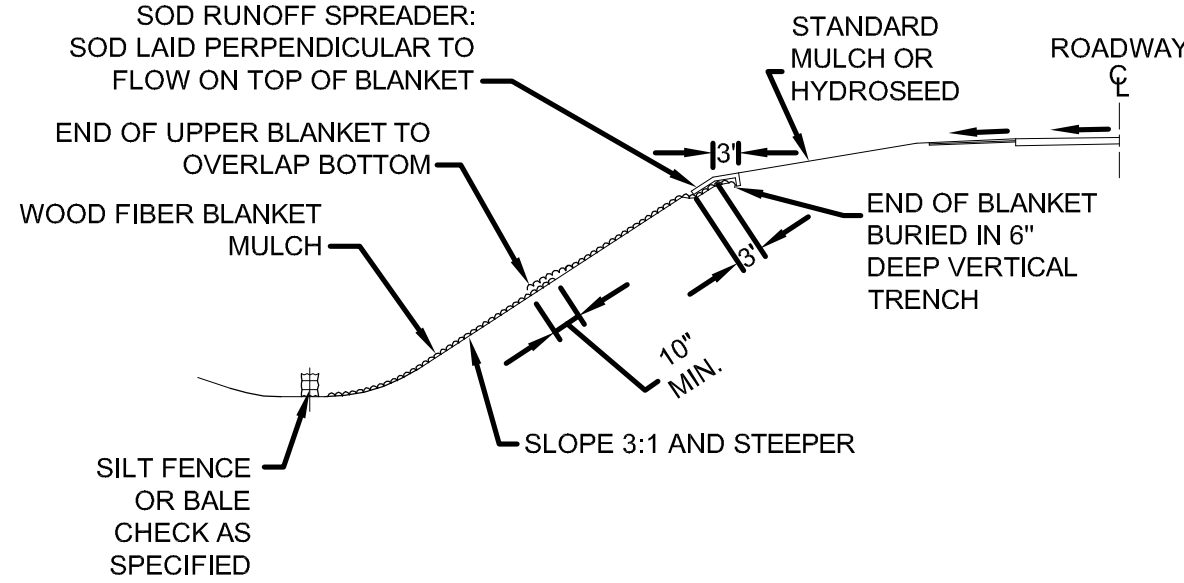
**STONE INFILTRATION TRENCH DETAIL**  
NOT TO SCALE



**CONVEYANCE SWALE IN SOME LOCATIONS REFER TO GRADING PLANS AND DETAILS**

**NOTES:**  
1. CONTRACTOR TO SUBCUT ROADWAY TO EXISTING GRADE ELEVATION TO MAINTAIN EXISTING SITE DRAINAGE PATTERNS WHEREVER POSSIBLE.  
2. IN FILL LOCATIONS CONTRACTOR TO GRADE TOE OF SLOPE TO EXISTING GRADE, AND MAINTAIN NATURAL DRAINAGE PATTERNS.  
3. IN CUT LOCATIONS CONTRACTOR TO CREATE SWALE ON DOWNSTREAM SIDE, REFER TO GRADING PLANS FOR DETAILS.  
4. CONTRACTOR TO COMPACT AGGREGATE TO 95% MAXIMUM DRY DENSITY.  
5. REFER TO GEOTECHNICAL RECOMMENDATIONS FOR ADDITIONAL ROADWAY SECTION DESIGN INFORMATION.

**ACCESS ROAD DETAIL**  
NOT TO SCALE



**EROSION CONTROL BLANKET INSTALLATION ON AN INSLOPE (WHEN REQUIRED)**

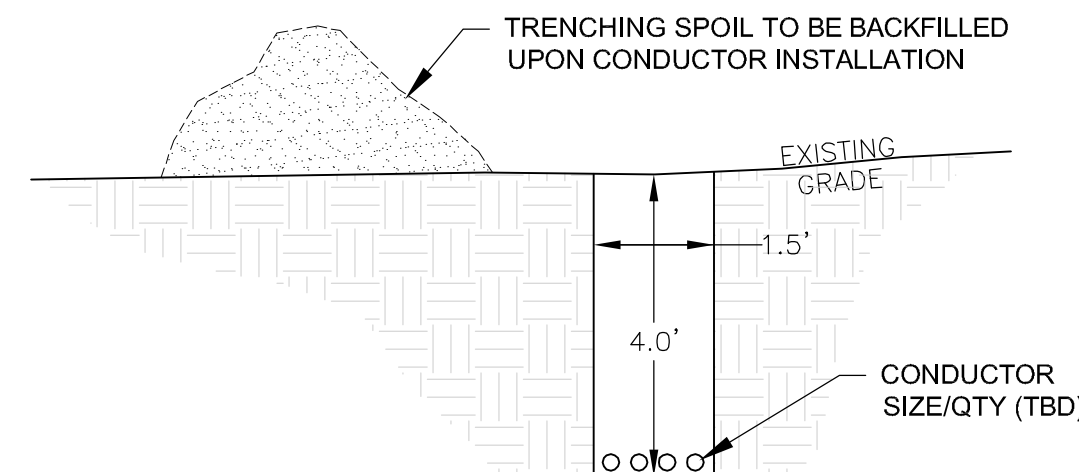
CATEGORY	SLOPE	VELOCITY
1	FLAT	< 5.0 fps
2	3:1	< 6.5 fps
3	3:1	< 6.5 fps
4	2:1	< 7.0 fps

**ACCEPTABLE TYPES (WHEN REQUIRED)**

CATEGORY	ACCEPTABLE TYPES
1	STRAW RD 1S, WOOD FIBER RD 1S
2	STRAW 1S, WOOD FIBER 1S
3	STRAW 2S, WOOD FIBER 2S
4	STRAW/COCONUT 2S, WOOD FIBER HV 2S

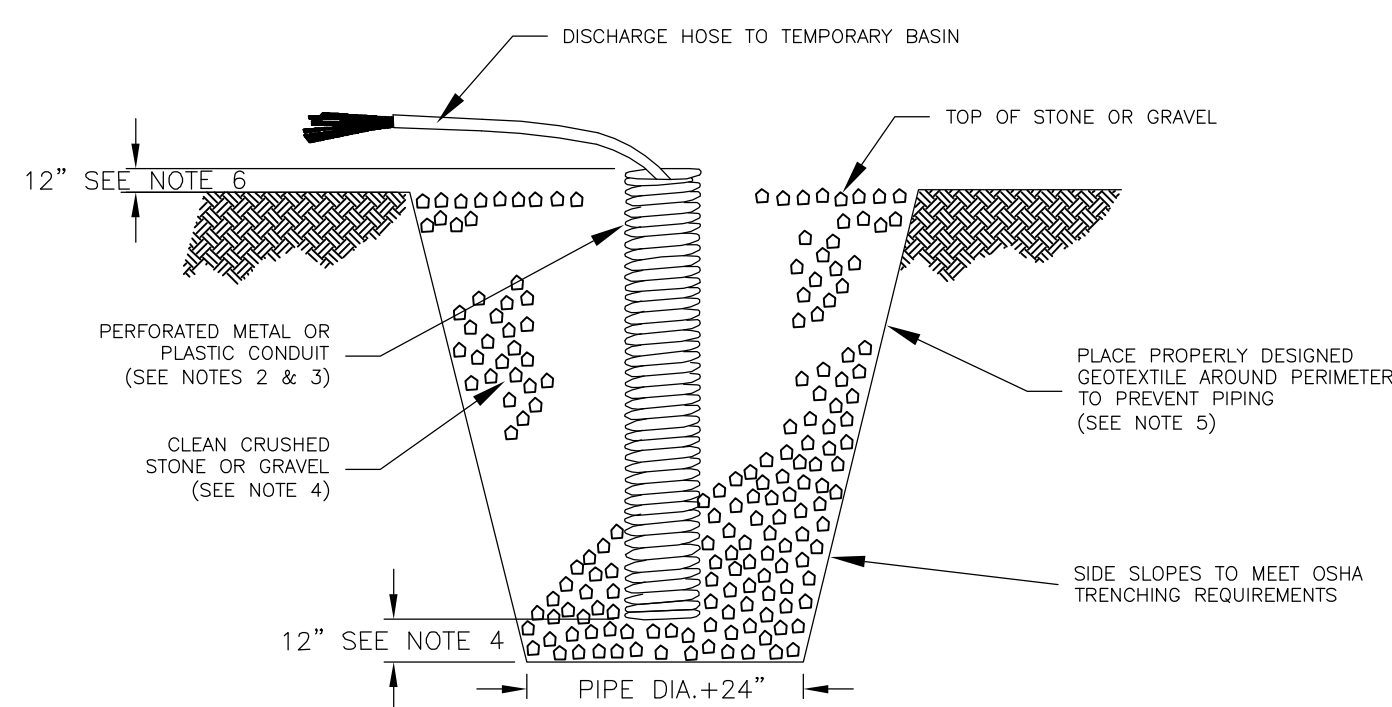
**THE LETTERING DESIGNATION SHALL BE DEFINED AS FOLLOWS:**  
1S - NETTING ON ONE SIDE  
RD - RAPIDLY DEGRADABLE  
2S - NETTING ON TWO SIDES  
HV - HIGH VELOCITY

**EROSION CONTROL BLANKET**  
NOT TO SCALE



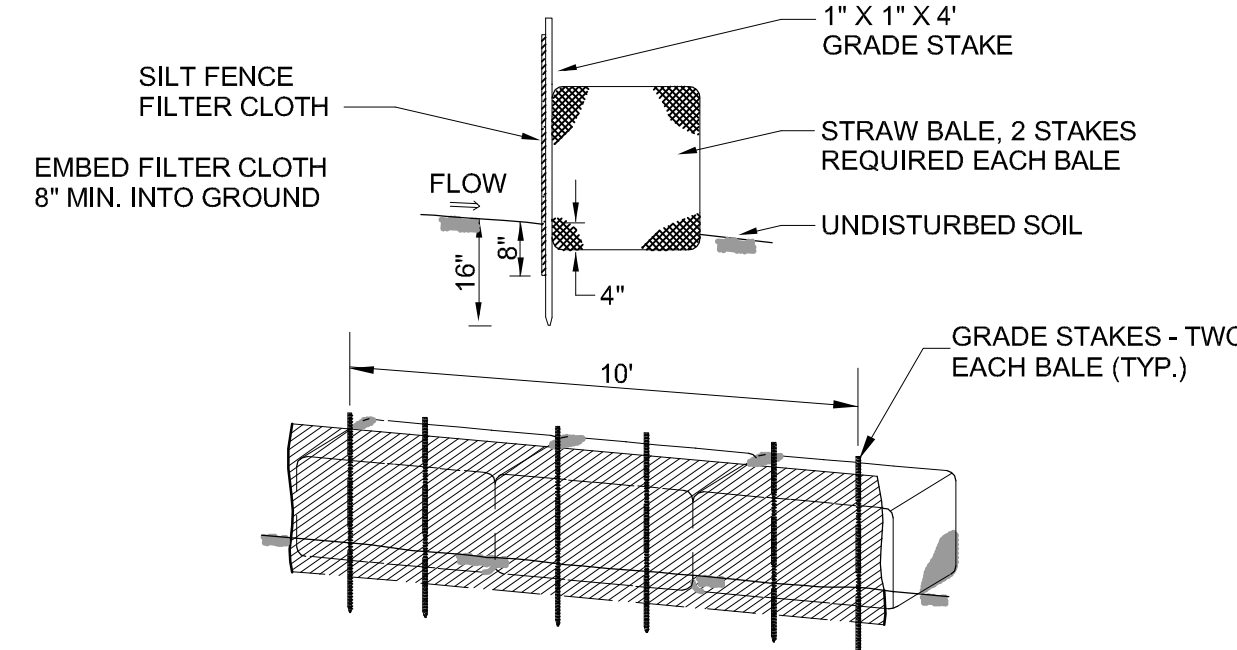
**NOTES:**  
1. CONDUCTOR CLEARANCES DEPENDENT ON GEOTECHNICAL PARAMETERS AND ELECTRICAL DESIGN  
2. CONDUCTOR SIZING AND QUANTITIES PER TRENCH DEPENDENT ON FINAL ELECTRICAL DESIGN TRENCH DIMENSIONS FOR EARTHWORK QUANTITIES ARE CONSERVATIVE.

**TRENCHING DETAIL**  
NOT TO SCALE



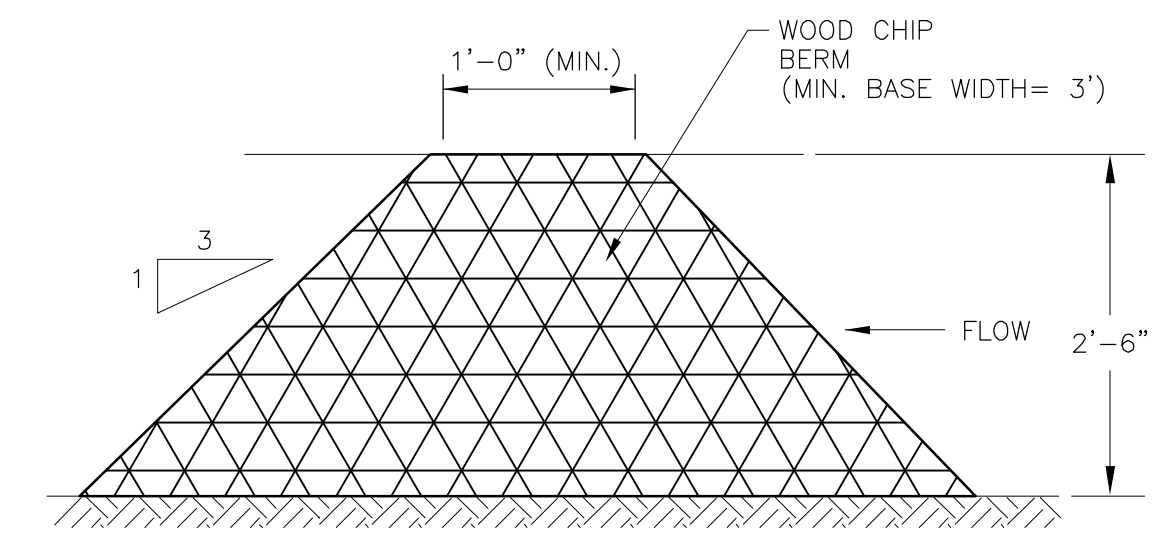
**NOTES:**  
1. OVERALL SUMP PIT DIMENSIONS SHALL BE COMPATIBLE WITH ANTICIPATED SEEPAGE RATES AND PUMP SIZE TO BE USED.  
2. THE STANDPIPE DIAMETER AND NUMBER OF PERFORATIONS SHALL BE COMPATIBLE THE PUMP SIZE BEING USED.  
3. PERFORATIONS IN THE STANDPIPE SHALL BE EITHER CIRCULAR OR SLOTS. PERFORATION SIZE SHALL NOT EXCEED 1/2" DIAMETER.  
4. CRUSHED STONE OR GRAVEL SHALL BE NO SMALLER THAN CT. DOT #67 SIZE NOR LARGER THAN CT. DOT #3 SIZE. CRUSHED STONE SHALL EXTEND A MINIMUM OF 12" BELOW THE BOTTOM OF THE STANDPIPE.  
5. IF EXCESSIVE MOVEMENT OF FINE SOIL PARTICLES FROM THE SURROUNDING EXISTING SOILS IS ANTICIPATED, A PROPERLY DESIGNED GEOTEXTILE SHALL BE PLACED BETWEEN THE EXISTING SOILS AND THE CRUSHED STONE OR GRAVEL BACKFILL.  
6. THE STANDPIPE SHALL EXTEND A MINIMUM OF 12" ABOVE THE SURROUNDING GROUND.

**TYPICAL PUMP PIT DEWATERING DETAIL**  
NOT TO SCALE

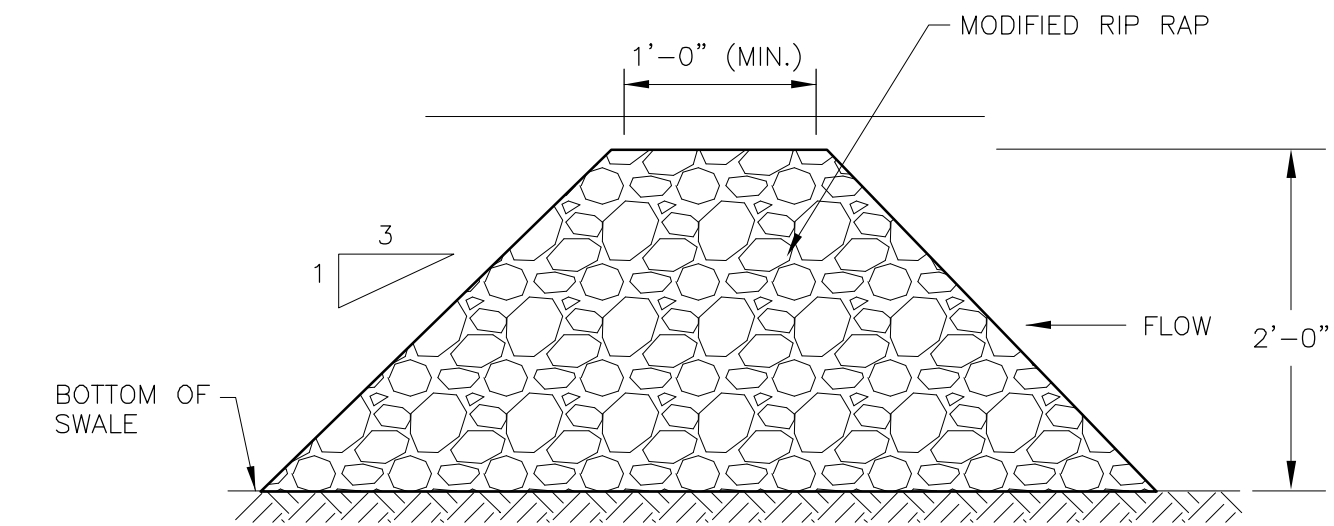


**STRAW-BALE / SILT FENCE  
EROSION PROTECTION**  
NOT TO SCALE

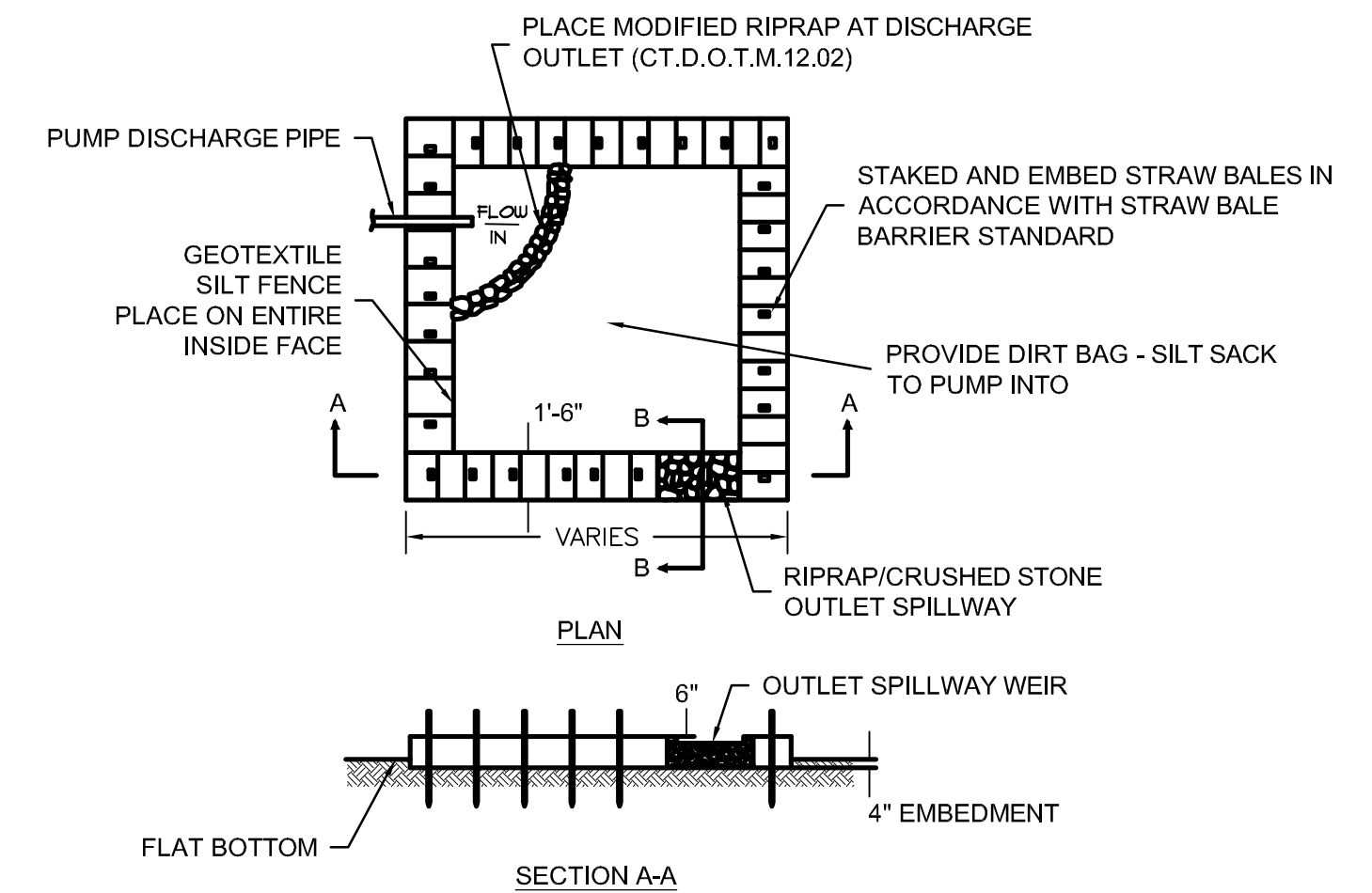
**CONSTRUCTION NOTES:**  
1. SILT FENCE FILTER CLOTH TO BE SECURELY FASTENED TO GRADE STAKE WITH STAPLES, 6" ON CENTER.  
2. WHEN TWO SECTIONS OF FILTER CLOTH ADJOIN ONE ANOTHER THEY SHALL OVERLAP BY 6" AND BE FOLDED.  
3. BALES SHALL BE PLACED IN A ROW WITH ENDS TIGHTLY ABUTTING THE ADJACENT BALES.



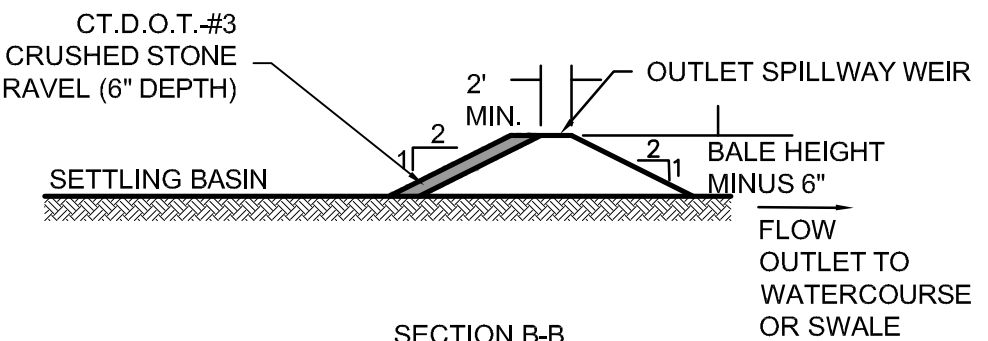
**WOOD CHIP BERM**  
NOT TO SCALE



**RIP-RAP CHECK DAM**  
NOT TO SCALE



**NOTE:** DIMENSIONS VARY ACCORDING TO PUMPING RATES. MINIMUM REQUIRED STORAGE IS CALCULATED FROM CREST OF SPILLWAY WEIR.



**DEWATERING SETTLING BASIN DETAIL**  
NOT TO SCALE

**DEWATERING PLAN**

IF DEWATERING IS NECESSARY DURING CONSTRUCTION A CLEAR WATER DISCHARGE SHALL BE PROVIDED AS FOLLOWS:  
A. THE PUMP INLET WILL BE WRAPPED IN FILTER FABRIC AND PLACED IN CRUSHED STONE WITHIN THE TRENCH.  
B. THE PUMP OUTLET WILL DISCHARGE TO THE DEWATERING ENCLOSURE PER THE DETAIL FOR DEWATERING SETTLING BASIN TO BE LOCATED OUTSIDE OF THE 100' UPLAND REVIEW ZONE.  
C. THE DISCHARGE FROM THE DEWATERING ENCLOSURE WILL BE MONITORED AND ADDITIONAL MEASURES EMPLOYED IF NECESSARY.

No.	Date	Revision
1	8/24/2021	MISC. UPDATES AND REVISIONS
2	9/24/2021	MISC. UPDATES AND REVISIONS
3	10/22/2021	MISC. UPDATES AND REVISIONS
4	11/17/2021	MISC. UPDATES AND REVISIONS
5	12/17/2021	MISC. UPDATES AND REVISIONS
6	1/11/2022	MISC. UPDATES AND REVISIONS
7	2/11/2022	MISC. UPDATES AND REVISIONS
8	3/11/2022	MISC. UPDATES AND REVISIONS
9	4/11/2022	MISC. UPDATES AND REVISIONS
10	5/11/2022	MISC. UPDATES AND REVISIONS
11	6/11/2022	MISC. UPDATES AND REVISIONS
12	7/11/2022	MISC. UPDATES AND REVISIONS
13	8/11/2022	MISC. UPDATES AND REVISIONS
14	9/11/2022	MISC. UPDATES AND REVISIONS
15	10/11/2022	MISC. UPDATES AND REVISIONS
16	11/11/2022	MISC. UPDATES AND REVISIONS
17	12/11/2022	MISC. UPDATES AND REVISIONS
18	1/11/2023	MISC. UPDATES AND REVISIONS
19	2/11/2023	MISC. UPDATES AND REVISIONS
20	3/11/2023	MISC. UPDATES AND REVISIONS
21	4/11/2023	MISC. UPDATES AND REVISIONS
22	5/11/2023	MISC. UPDATES AND REVISIONS
23	6/11/2023	MISC. UPDATES AND REVISIONS
24	7/11/2023	MISC. UPDATES AND REVISIONS
25	8/11/2023	MISC. UPDATES AND REVISIONS
26	9/11/2023	MISC. UPDATES AND REVISIONS
27	10/11/2023	MISC. UPDATES AND REVISIONS
28	11/11/2023	MISC. UPDATES AND REVISIONS
29	12/11/2023	MISC. UPDATES AND REVISIONS
30	1/11/2024	MISC. UPDATES AND REVISIONS
31	2/11/2024	MISC. UPDATES AND REVISIONS
32	3/11/2024	MISC. UPDATES AND REVISIONS
33	4/11/2024	MISC. UPDATES AND REVISIONS
34	5/11/2024	MISC. UPDATES AND REVISIONS
35	6/11/2024	MISC. UPDATES AND REVISIONS
36	7/11/2024	MISC. UPDATES AND REVISIONS
37	8/11/2024	MISC. UPDATES AND REVISIONS
38	9/11/2024	MISC. UPDATES AND REVISIONS
39	10/11/2024	MISC. UPDATES AND REVISIONS
40	11/11/2024	MISC. UPDATES AND REVISIONS
41	12/11/2024	MISC. UPDATES AND REVISIONS
42	1/11/2025	MISC. UPDATES AND REVISIONS
43	2/11/2025	MISC. UPDATES AND REVISIONS
44	3/11/2025	MISC. UPDATES AND REVISIONS
45	4/11/2025	MISC. UPDATES AND REVISIONS
46	5/11/2025	MISC. UPDATES AND REVISIONS
47	6/11/2025	MISC. UPDATES AND REVISIONS
48	7/11/2025	MISC. UPDATES AND REVISIONS
49	8/11/2025	MISC. UPDATES AND REVISIONS
50	9/11/2025	MISC. UPDATES AND REVISIONS
51	10/11/2025	MISC. UPDATES AND REVISIONS
52	11/11/2025	MISC. UPDATES AND REVISIONS
53	12/11/2025	MISC. UPDATES AND REVISIONS
54	1/11/2026	MISC. UPDATES AND REVISIONS
55	2/11/2026	MISC. UPDATES AND REVISIONS
56	3/11/2026	MISC. UPDATES AND REVISIONS
57	4/11/2026	MISC. UPDATES AND REVISIONS
58	5/11/2026	MISC. UPDATES AND REVISIONS
59	6/11/2026	MISC. UPDATES AND REVISIONS
60	7/11/2026	MISC. UPDATES AND REVISIONS
61	8/11/2026	MISC. UPDATES AND REVISIONS
62	9/11/2026	MISC. UPDATES AND REVISIONS
63	10/11/2026	MISC. UPDATES AND REVISIONS
64	11/11/2026	MISC. UPDATES AND REVISIONS
65	12/11/2026	MISC. UPDATES AND REVISIONS
66	1/11/2027	MISC. UPDATES AND REVISIONS
67	2/11/2027	MISC. UPDATES AND REVISIONS
68	3/11/2027	MISC. UPDATES AND REVISIONS
69	4/11/2027	MISC. UPDATES AND REVISIONS
70	5/11/2027	MISC. UPDATES AND REVISIONS
71	6/11/2027	MISC. UPDATES AND REVISIONS
72	7/11/2027	MISC. UPDATES AND REVISIONS
73	8/11/2027	MISC. UPDATES AND REVISIONS
74	9/11/2027	MISC. UPDATES AND REVISIONS
75	10/11/2027	MISC. UPDATES AND REVISIONS
76	11/11/2027	MISC. UPDATES AND REVISIONS
77	12/11/2027	MISC. UPDATES AND REVISIONS
78	1/11/2028	MISC. UPDATES AND REVISIONS
79	2/11/2028	MISC. UPDATES AND REVISIONS
80	3/11/2028	MISC. UPDATES AND REVISIONS
81	4/11/2028	MISC. UPDATES AND REVISIONS
82	5/11/2028	MISC. UPDATES AND REVISIONS
83	6/11/2028	MISC. UPDATES AND REVISIONS
84	7/11/2028	MISC. UPDATES AND REVISIONS
85	8/11/2028	MISC. UPDATES AND REVISIONS
86	9/11/2028	MISC. UPDATES AND REVISIONS
87	10/11/2028	MISC. UPDATES AND REVISIONS
88	11/11/2028	MISC. UPDATES AND REVISIONS
89	12/11/2028	MISC. UPDATES AND REVISIONS
90	1/11/2029	MISC. UPDATES AND REVISIONS
91	2/11/2029	MISC. UPDATES AND REVISIONS
92	3/11/2029	MISC. UPDATES AND REVISIONS
93	4/11/2029	MISC. UPDATES AND REVISIONS
94	5/11/2029	MISC. UPDATES AND REVISIONS
95	6/11/2029	MISC. UPDATES AND REVISIONS
96	7/11/2029	MISC. UPDATES AND REVISIONS
97	8/11/2029	MISC. UPDATES AND REVISIONS
98	9/11/2029	MISC. UPDATES AND REVISIONS
99	10/11/2029	MISC. UPDATES AND REVISIONS
100	11/11/2029	MISC. UPDATES AND REVISIONS
101	12/11/2029	MISC. UPDATES AND REVISIONS
102	1/11/2030	MISC. UPDATES AND REVISIONS
103	2/11/2030	MISC. UPDATES AND REVISIONS
104	3/11/2030	MISC. UPDATES AND REVISIONS
105	4/11/2030	MISC. UPDATES AND REVISIONS
106	5/11/2030	MISC. UPDATES AND REVISIONS
107	6/11/2030	MISC. UPDATES AND REVISIONS
108	7/11/2030	MISC. UPDATES AND REVISIONS
109	8/11/2030	MISC. UPDATES AND REVISIONS
110	9/11/2030	MISC. UPDATES AND REVISIONS
111	10/11/2030	MISC. UPDATES AND REVISIONS
112	11/11/2030	MISC. UPDATES AND REVISIONS
113	12/11/2030	MISC. UPDATES AND REVISIONS
114	1/11/2031	MISC. UPDATES AND REVISIONS
115	2/11/2031	MISC. UPDATES AND REVISIONS
116	3/11/2031	MISC. UPDATES AND REVISIONS
117	4/11/2031	MISC. UPDATES AND REVISIONS
118	5/11/2031	MISC. UPDATES AND REVISIONS
119	6/11/2031	MISC. UPDATES AND REVISIONS
120	7/11/2031	MISC. UPDATES AND REVISIONS
121	8/11/2031	MISC. UPDATES AND REVISIONS
122	9/11/2031	MISC. UPDATES AND REVISIONS
123	10/11/2031	MISC. UPDATES AND REVISIONS
124	11/11/2031	MISC. UPDATES AND REVISIONS
125	12/11/2031	MISC. UPDATES AND REVISIONS
126	1/11/2032	MISC. UPDATES AND REVISIONS
127	2/11/2032	MISC. UPDATES AND REVISIONS
128	3/11/2032	MISC. UPDATES AND REVISIONS
129	4/11/2032	MISC. UPDATES AND REVISIONS
130	5/11/2032	MISC. UPDATES AND REVISIONS
131	6/11/2032	MISC. UPDATES AND REVISIONS
132	7/11/2032	MISC. UPDATES AND REVISIONS
133	8/11/2032	MISC. UPDATES AND REVISIONS
134	9/11/2032	MISC. UPDATES AND REVISIONS
135	10/11/2032	MISC. UPDATES AND REVISIONS
136	11/11/2032	MISC. UPDATES AND REVISIONS
137	12/11/2032	MISC. UPDATES AND REVISIONS
138	1/11/2033	MISC. UPDATES AND REVISIONS
139	2/11/2033	MISC. UPDATES AND REVISIONS
140	3/11/2033	MISC. UPDATES AND REVISIONS
141	4/11/2033	MISC. UPDATES AND REVISIONS
142	5/11/2033	MISC. UPDATES AND REVISIONS
143	6/11/2033	MISC. UPDATES AND REVISIONS
144	7/11/2033	MISC. UPDATES AND REVISIONS
145	8/11/2033	MISC. UPDATES AND REVISIONS
146	9/11/2033	MISC. UPDATES AND REVISIONS
147	10/11/2033	MISC. UPDATES AND REVISIONS
148	11/11/2033	MISC. UPDATES AND REVISIONS
149	12/11/2033	MISC. UPDATES AND REVISIONS
150	1/11/2034	MISC. UPDATES AND REVISIONS
151	2/11/2034	MISC. UPDATES AND REVISIONS
152	3/11/2034	MISC. UPDATES AND REVISIONS
153	4/11/2034	MISC. UPDATES AND REVISIONS
154	5/11/2034	MISC. UPDATES AND REVISIONS
155	6/11/2034	MISC. UPDATES AND REVISIONS
156	7/11/2034	MISC. UPDATES AND REVISIONS
157	8/11/2034	MISC. UPDATES AND REVISIONS
158	9/11/2034	MISC. UPDATES AND REVISIONS
159	10/11/2034	MISC. UPDATES AND REVISIONS
160	11/11/2034	MISC. UPDATES AND REVISIONS
161	12/11/2034	MISC. UPDATES AND REVISIONS
162	1/11/2035	MISC. UPDATES AND REVISIONS
163	2/11/2035	MISC. UPDATES AND REVISIONS
164	3/11/2035	MISC. UPDATES AND REVISIONS
165	4/11/2035	MISC. UPDATES AND REVISIONS
166	5/11/2035	MISC. UPDATES AND REVISIONS
167	6/11/2035	MISC. UPDATES AND REVISIONS
168	7/11/2035	MISC. UPDATES AND REVISIONS
169	8/11/2035	MISC. UPDATES AND REVISIONS
170	9/11/2035	MISC. UPDATES AND REVISIONS
171	10/11/2035	MISC. UPDATES AND REVISIONS
172	11/11/2035	MISC. UPDATES AND REVISIONS
173	12/11/2035	MISC. UPDATES AND REVISIONS
174	1/11/2036	MISC. UPDATES AND REVISIONS
175	2/11/2036	