



Maser Consulting Connecticut
 1055 Washington Boulevard
 Stamford, CT 06901
 203.324.0800
 peter.albano@collierseng.com

Antenna Mount Analysis Report with Hardware Upgrades and PMI Requirements

Mount Analysis

SMART Tool Project #: 10141830
 Maser Consulting Connecticut Project #: 22777016 (Rev. 1)

March 3, 2023

Site Information

Site ID:	5000382205-VZW / WINDSOR 2 CT
Site Name:	WINDSOR 2 CT
Carrier Name:	Verizon Wireless
Address:	750 Rainbow Road Windsor, Connecticut 06095 Hartford County
Latitude:	41.919253°
Longitude:	-72.710456°

Structure Information

Tower Type:	100-Ft Monopole
Mount Type:	12.67-Ft Platform

FUZE ID # 16092552

Analysis Results

Platform: **43.0% Pass w/ Hardware Upgrades***

*** Antennas and equipment to be installed in compliance with PMI Requirements of this mount analysis.**

*****Contractor PMI Requirements:**

**Included at the end of this MA report
 Available & Submitted via portal at <https://pmi.vzwsmart.com>
 For additional questions and support, please reach out to:
pmisupport@colliersengineering.com**

Report Prepared By: Madison Shell



Executive Summary:

The objective of this report is to determine the capacity of the antenna support mount at the subject facility for the final wireless telecommunications configuration, per the applicable codes and standards. Any modification listed under Sources of Information was assumed completed and was included in this analysis.

This analysis is inclusive of the mount structure only and does not address the structural capacity of the supporting structure. This mounting frame was not analyzed as an anchor attachment point for fall protection. All climbing activities are required to have a fall protection plan completed by a competent person.

Sources of Information:

Document Type	Remarks
Radio Frequency Data Sheet (RFDS)	Verizon RFDS, Site ID: 325168, dated March 25, 2022
Mount Mapping Report	Onsite Services LLC, Site ID: 468635, dated April 10, 2022

Analysis Criteria:

Codes and Standards:	ANSI/TIA-222-H 2022 Connecticut State Building Code (CSBC), Effective October 1, 2022
Wind Parameters:	Basic Wind Speed (Ultimate 3-sec. Gust), V_{ULT} : 116 mph Ice Wind Speed (3-sec. Gust): 50 mph Design Ice Thickness: 1.50 in Risk Category: II Exposure Category: C Topographic Category: 1 Topographic Feature Considered: N/A Topographic Method: N/A Ground Elevation Factor, K_e : 0.993
Seismic Parameters:	S_s : 0.175 g S_1 : 0.054 g
Maintenance Parameters:	Wind Speed (3-sec. Gust): 30 mph Maintenance Live Load, L_v : 250 lbs. Maintenance Live Load, L_m : 500 lbs.
Analysis Software:	RISA-3D (V17)

Final Loading Configuration:

The following equipment has been considered for the analysis of the mount:

Mount Elevation (ft)	Equipment Elevation (ft)	Quantity	Manufacturer	Model	Status
82.00	83.00	3	Commscope	NHH-65B-R2B	Added
		3	Commscope	NHHSS-65B-R2BT4	
		3	Samsung	MT6407-77A	
		3	Samsung	RF4439d-25A	
		3	Samsung	RF4440d-13A	
		3	Samsung	CBRS RRH - RT4401-48A	
		2	Raycap	RVZDC-6627-PF-48	
		3	Antel	LPA-80063/6CF	Retained

It is acceptable to install up to any three (3) of the OVP model numbers listed below as required at any location other than the mount face without affecting the structural capacity of the mount. If OVP units are installed on the mount face, a mount re-analysis may be required unless replacing an existing OVP.

Model Number	Ports	AKA
DB-B1-6C-12AB-0Z	6	OVP-6
RVZDC-6627-PF-48	12	OVP-12

Standard Conditions:

1. All engineering services are performed on the basis that the information provided to Maser Consulting Connecticut and used in this analysis is current and correct. The existing equipment loading has been applied at locations determined from the supplied documentation. Any deviation from the loading locations specified in this report shall be communicated to Maser Consulting Connecticut to verify deviation will not adversely impact the analysis.
2. Mounts are assumed to have been properly fabricated, installed and maintained in good condition, twist free and plumb in accordance with its original design and manufacturer’s specifications.

Obvious safety and structural issues/deficiencies noticed at the time of the mount mapping and reported in the Mount Mapping Report are assumed to be corrected and documented as part of the PMI process and are not considered in the mount analysis.

The mount analysis and the mount mapping are not a condition assessment of the mount. Proper maintenance and condition assessments are still required post analysis.

3. For mount analyses completed from other data sources (including new replacement mounts) and not specifically mapped in accordance with the NSTD-446 Standard, the mounts are assumed to have been properly fabricated, installed and maintained in good condition, twist free and plumb in accordance with its original design and manufacturer’s specifications.
4. All member connections are assumed to have been designed to meet or exceed the load carrying capacity of the connected member unless otherwise specified in this report.
5. The mount was checked up to, and including, the bolts that fasten it to the mount collar/attachment and threaded rod connections in collar members if applicable. Local deformation and interaction between the mount collar/attachment and the supporting tower structure are outside the scope of this analysis.

6. All services are performed, results obtained, and recommendations made in accordance with generally accepted engineering principles and practices. Maser Consulting Connecticut is not responsible for the conclusion, opinions, and recommendations made by others based on the information supplied.
7. Structural Steel Grades have been assumed as follows, if applicable, unless otherwise noted in this analysis:
 - o Channel, Solid Round, Angle, Plate ASTM A36 (Gr. 36)
 - o HSS (Rectangular) ASTM 500 (Gr. B-46)
 - o Pipe ASTM A53 (Gr. B-35)
 - o Threaded Rod F1554 (Gr. 36)
 - o Bolts ASTM A325

Discrepancies between in-field conditions and the assumptions listed above may render this analysis invalid unless explicitly approved by Maser Consulting Connecticut.

Analysis Results:

Component	Utilization %	Pass/Fail
Standoff Horizontal	18.3 %	Pass
Cross Arm Brace	43.0 %	Pass
Corner Plate	37.2 %	Pass
Grating Support	24.2 %	Pass
Cross Arm Plate	29.1 %	Pass
Face Horizontal	12.1 %	Pass
Mount Pipe	26.2 %	Pass
Support Rail	16.1 %	Pass
Support Rail Corner Angle	10.7 %	Pass
Kicker	12.7 %	Pass
Mount Connection	30.0 %	Pass

Structure Rating – (Controlling Utilization of all Components)	43.0%*
---	---------------

* Results valid after hardware upgrades noted in the PMI Requirements are installed.

Mount Steel (EPA)a per ANSI/TIA-222-H Section 2.6.11.2:

Ice Thickness (In)	Mount Pipes Excluded		Mount Pipes Included	
	Front (EPA)a (Sq. Ft.)	Side (EPA)a (Sq. Ft.)	Front (EPA)a (Sq. Ft.)	Side (EPA)a (Sq. Ft.)
0	29.9	29.9	46.0	46.0
0.5	38.6	38.6	61.4	61.3
1	46.5	46.5	76.0	76.0

Notes:

- (EPA)a values listed above may be used in the absence of more precise information
- (EPA)a values in the table above include 3 sector(s).
- Ka factors included in (EPA)a calculations

Requirements:

The existing mount will be **SUFFICIENT** for the final loading configuration shown in attachment 2 **upon the completion of the requirements listed below.**

Contractor shall install a new 36" long P2 STD OVP pipe on standoff arm between alpha and gamma sector. Attach the proposed OVP pipe to the standoff with crossover plate VZWSMART MSK6. Install proposed pipe 9" away from tower connection and with top of pipe 24" above standoff horizontal. Contractor shall attach proposed OVP 12" from the top of OVP pipe. Contractor shall attach the other proposed OVP 12" from the top of existing OVP pipe.

Contractor shall install VZWSMART MSK1 where connection hardware is missing between the support rail and mount pipes.

Contractor shall wire brush clean all rusted mount members and protect with two (2) coats of cold galvanization (Zinga or Zinc Kote).

Contractor shall inspect climbing facilities and safety climb and ensure they are in good condition. Contractor shall install safety climb wire rope guides in locations where wire rope is rubbing against the mount or mount-to-tower connection steel. Wire brush clean any observed corrosion and protect with two (2) coats of cold galvanization (Zinga or Zinc Kote). Contractor shall provide photos of wire rope guide installation as part of PMI documents. Contact EOR if additional guidance is required.

ANSI/ASSP rigging plan review services compliant with the requirements of ANSI/TIA 322 are available for a Construction Class IV site or other, if required. Separate review fees will apply.

Attachments:

1. **Contractor Required Post Installation Inspection (PMI) Report Deliverables**
2. Antenna Placement Diagrams
3. Mount Photos
4. Mount Mapping Report (for reference only)
5. Analysis Calculations

Mount Desktop – Post Modification Inspection (PMI) Report Requirements

Documents & Photos Required from Contractor – **Passing Mount Analysis**

Passing Mount Analysis requires a PMI due to a modification in loading.

Electronic pdf version of this can be downloaded at <https://pmi.vzwsmart.com>.

For additional questions and support, please reach out to pmisupport@colliersengineering.com

PSLC #: 5000382205

SMART Project #: 10141830

Fuze Project ID: 16092552

Purpose – to provide SMART Tool structural vendor the proper documentation in order to complete the required Mount Desktop review of the Post Modification Inspection Report.

- Contractor is responsible for making certain the photos provided as noted below provide confirmation that the installation was completed in accordance with this Passing Mount Analysis.
- Contractor shall relay any data that can impact the performance of the mount, this includes safety issues.

Base Requirements:

- If installation will cause damage to the structure, the climbing facility, or safety climb if present or any installed system, SMART Tool vendor to be notified prior to install. Any special photos outside of the standard requirements will be indicated on the drawings.
- Provide “as built mount drawings” showing contractor’s name, contact information, preparer’s signature, and date. Any deviations from the drawings (Proposed modification) shall be shown. NOTE: If loading is different than what is conveyed in the passing mount analysis (MA) contact the SMART Tool vendor immediately.
- Each photo should be time and date stamped
- Photos should be high resolution.
- Contractor shall ensure that the safety climb wire rope is supported and not adversely impacted by the install of the modification components. This may involve the install of wire rope guides, or other items to protect the wire rope. If there is conflict, contact the SMART Tool engineer for recommendations.
- The PMI can be accessed at the following portal: <https://pmi.vzwsmart.com>

Photo Requirements:

- Photos taken at ground level
 - Photo of Gate Signs showing the tower owner, site name, and number.
 - Overall tower structure after installation.
 - Photos of the mount after installation; if the mounts are at different rad elevations, pictures must be provided for all elevations that equipment was installed.
- Photos taken at Mount Elevation
 - Photos showing the safety climb wire rope above and below the mount prior to installation.
 - Photos showing the climbing facility and safety climb if present.

- Photos showing each individual sector after installation. Each entire sector shall be in one photo to show the interconnection of members.
 - These photos shall also certify that the placement and geometry of the equipment on the mount is as depicted in the antenna placement diagram in this form.
- Photos that show the model number of each antenna and piece of equipment installed per sector.

Antenna & equipment placement and Geometry Confirmation:

- The contractor shall certify that the antenna & equipment placement and geometry is in accordance with the sketch and table as included in the mount analysis and noted below.

The contractor certifies that the photos support and the equipment on the mount is as depicted on the sketch and table included in this form and with the mount analysis provided.

OR

The contractor notes that the equipment on the mount is not in accordance with the sketch and has noted the differences below and provided photo documentation of any alterations.

Special Instructions / Validation as required from the MA or any other information the contractor deems necessary to share that was identified:

Issue:

Contractor shall install a new 36" long P2 STD OVP pipe on standoff arm between alpha and gamma sector. Attach the proposed OVP pipe to the standoff with crossover plate VZWSMART MSK6. Install proposed pipe 9" away from tower connection and with top of pipe 24" above standoff horizontal. Contractor shall attach proposed OVP 12" from the top of OVP pipe. Contractor shall attach the other proposed OVP 12" from the top of existing OVP pipe.

Contractor shall install VZWSMART MSK1 where connection hardware is missing between the support rail and mount pipes.

Contractor shall wire brush clean all rusted mount members and protect with two (2) coats of cold galvanization (Zinga or Zinc Kote).

Contractor shall inspect climbing facilities and safety climb and ensure they are in good condition. Contractor shall install safety climb wire rope guides in locations where wire rope is rubbing against the mount or mount-to-tower connection steel. Wire brush clean any observed corrosion and protect with two (2) coats of cold galvanization (Zinga or Zinc Kote). Contractor shall provide photos

Response:

Special Instruction Confirmation:

- The contractor has read and acknowledges the above special instructions.
- All hardware listed in the Special Instructions above (if applicable) has been properly installed, and the existing hardware was inspected.
- The material utilized was as specified in the SMART Tool engineering vendor Special Instructions above (if applicable) and included in the material certification folder is a packing list or invoice for these materials.

OR

- The material utilized was approved by a SMART Tool engineering vendor as an “equivalent” and this approval is included as part of the contractor submission.

Comments:

Contractor certifies that the climbing facility / safety climb was not damaged prior to starting work:

- Yes No

Contractor certifies no new damage created during the current installation:

- Yes No

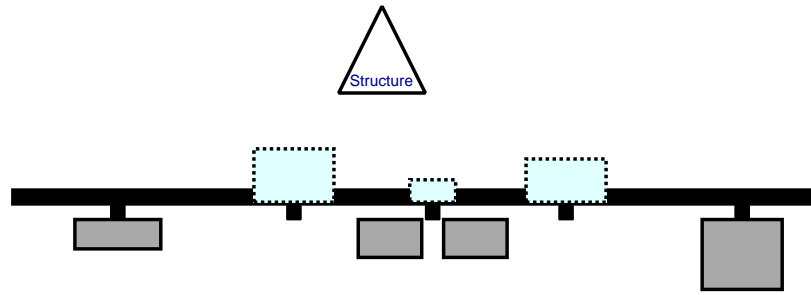
Contractor to certify the condition of the safety climb and verify no damage when leaving the site:

- Safety Climb in Good Condition Safety Climb Damaged

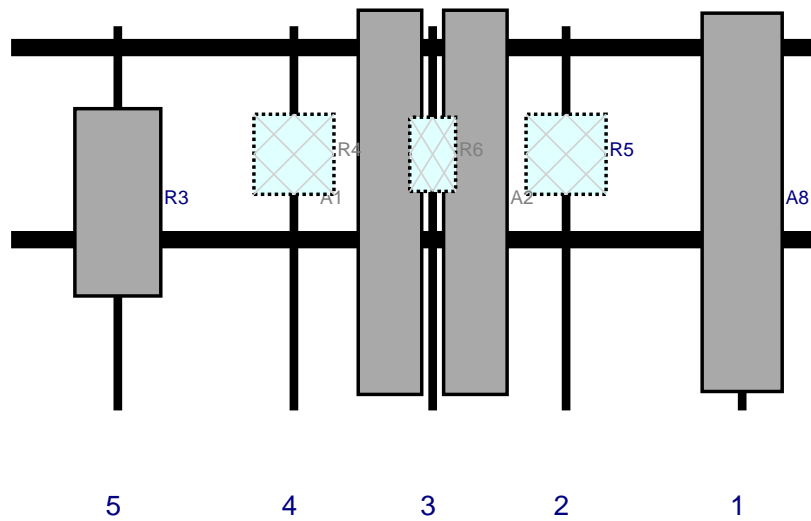
Certifying Individual:

Company:	
Employee Name:	
Contact Phone:	
Email:	
Date:	

Plan View

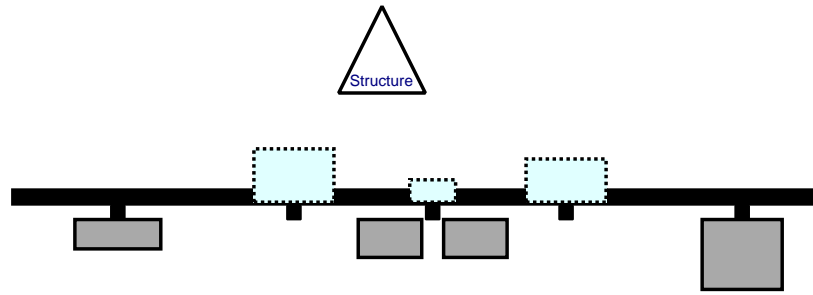


Front View - Looking at Structure

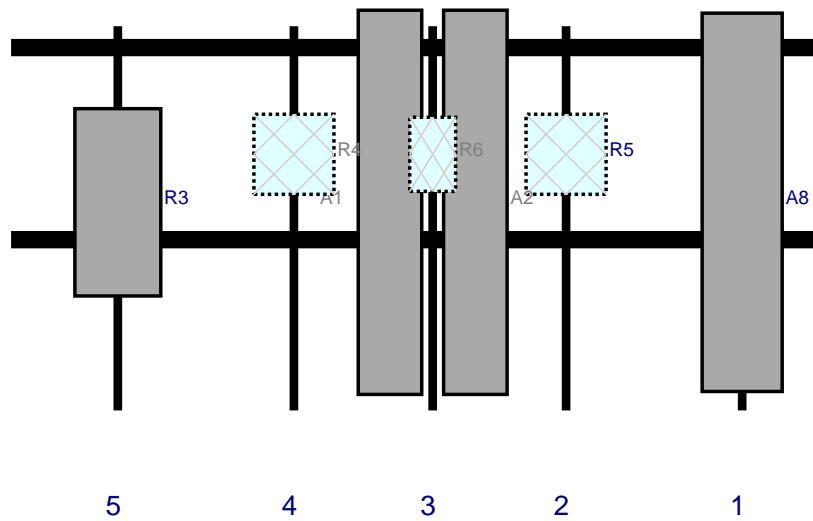


Ref#	Model	Height (in)	Width (in)	H Dist Frm L.	Pipe #	Pipe Pos V	Ant Pos	C. Ant Frm T.	Ant H Off	Status	Validation
A8	LPA-80063/6CF	70.9	15	137	1	a	Front	33	0	Retained	04/10/2022
R5	B5/B13 RRH ORAN (RF4440d-13A)	15	15	104	2	a	Behind	24	0	Added	
A1	NHH-65B-R2B	72	11.9	79	3	a	Front	33	-8	Added	
A2	NHSS-65B-R2BT4	72	11.9	79	3	a	Front	33	8	Added	
R6	CBRS RRH - RT4401-48A	13.9	8.6	79	3	a	Behind	24	0	Added	
R4	B2/B66A RRH ORAN (RF4439d-25A)	15	15	53	4	a	Behind	24	0	Added	
R3	MT6407-77A	35.1	16.1	20	5	a	Front	33	0	Added	
OVP1	RxxDC-6627-PF-48	29.5	16.5			Member				Added	
OVP2	RxxDC-6627-PF-48	29.5	16.5			Member				Added	

Plan View

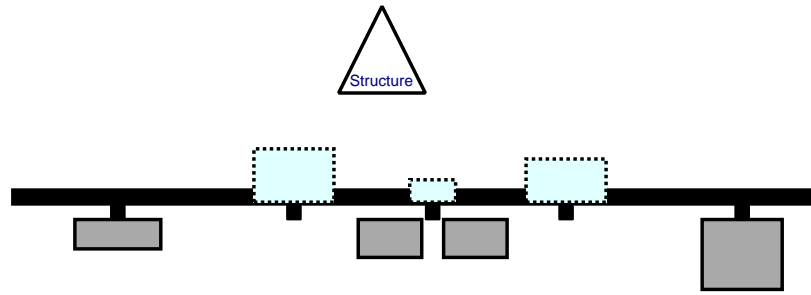


Front View - Looking at Structure

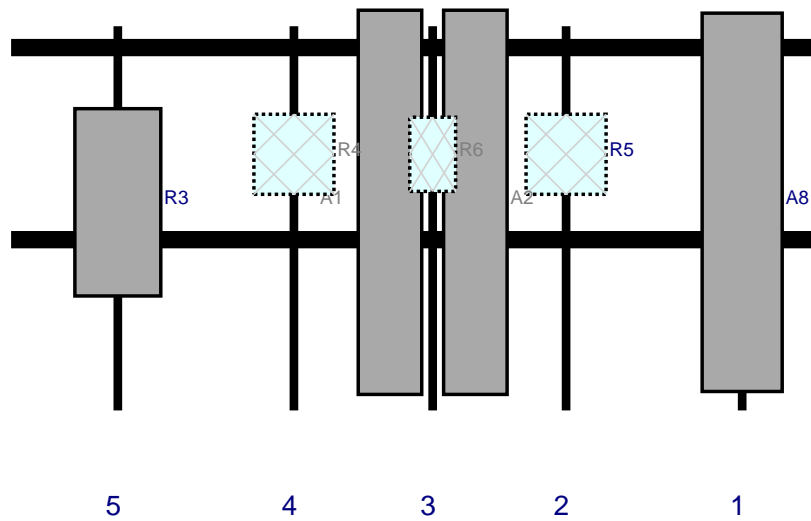


Ref#	Model	Height (in)	Width (in)	H Dist Frm L.	Pipe #	Pipe Pos V	Ant Pos	C. Ant Frm T.	Ant H Off	Status	Validation
A8	LPA-80063/6CF	70.9	15	137	1	a	Front	33	0	Retained	04/10/2022
R5	B5/B13 RRH ORAN (RF4440d-13A)	15	15	104	2	a	Behind	24	0	Added	
A1	NHH-65B-R2B	72	11.9	79	3	a	Front	33	-8	Added	
A2	NHSS-65B-R2BT4	72	11.9	79	3	a	Front	33	8	Added	
R6	CBRS RRH - RT4401-48A	13.9	8.6	79	3	a	Behind	24	0	Added	
R4	B2/B66A RRH ORAN (RF4439d-25A)	15	15	53	4	a	Behind	24	0	Added	
R3	MT6407-77A	35.1	16.1	20	5	a	Front	33	0	Added	

Plan View



Front View - Looking at Structure



Ref#	Model	Height (in)	Width (in)	H Dist Frm L.	Pipe #	Pipe Pos V	Ant Pos	C. Ant Frm T.	Ant H Off	Status	Validation
A8	LPA-80063/6CF	70.9	15	137	1	a	Front	33	0	Retained	04/10/2022
R5	B5/B13 RRH ORAN (RF4440d-13A)	15	15	104	2	a	Behind	24	0	Added	
A1	NHH-65B-R2B	72	11.9	79	3	a	Front	33	-8	Added	
A2	NHSS-65B-R2BT4	72	11.9	79	3	a	Front	33	8	Added	
R6	CBRS RRH - RT4401-48A	13.9	8.6	79	3	a	Behind	24	0	Added	
R4	B2/B66A RRH ORAN (RF4439d-25A)	15	15	53	4	a	Behind	24	0	Added	
R3	MT6407-77A	35.1	16.1	20	5	a	Front	33	0	Added	



Antenna Mount Mapping Form (PATENT PENDING)

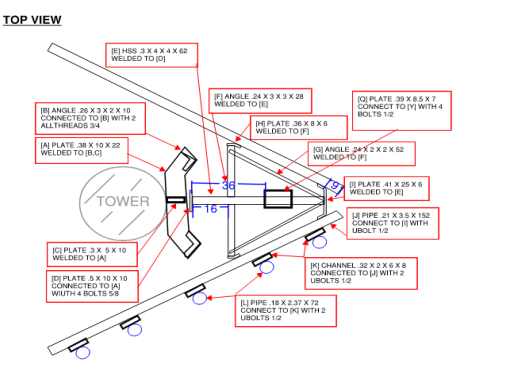
FCC #



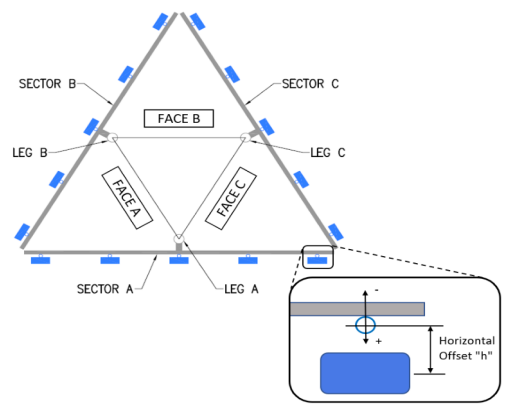
Tower Owner:	CROWN CASTLE	Mapping Date:	4/10/2022
Site Name:	WINDSOR2 CT	Tower Type:	MONOPOLE
Site Number or ID:	468635	Tower Height (Ft.):	100
Mapping Contractor:	Onsight Services LLC	Mount Elevation (Ft.):	82

This antenna mapping form is the property of TES and under **PATENT PENDING**. The formation contained herein is considered confidential in nature and is to be used only for the specific customer it was intended for. Reproduction, transmission, publication, modification or disclosure by any method is prohibited except by express written permission of TES. All means and methods are the responsibility of the contractor and the work shall be compliant with ANSI/ASSE A 10.48, OSHA, FCC, FAA and other safety requirements that may apply. TES is not warranting the usability of the safety climb as it must be assessed prior to each use in compliance with OSHA requirements.

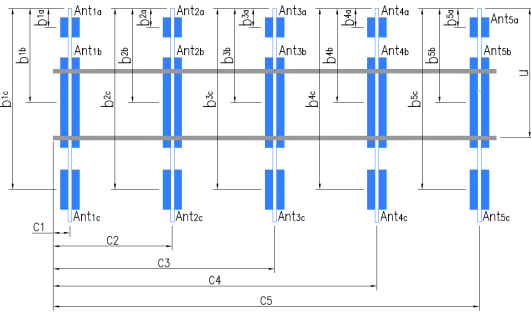
Site Number: _____ *All measurements / offsets given in incl



Mount Pipe Configuration and Geometries [Unit = Inches]								
Sector / Position	Mount Pipe Size & Length	Vertical Offset Dimension "U"	Horizontal Offset "C1, C2, C3, etc."	Sector / Position	Mount Pipe Size & Length	Vertical Offset Dimension "U"	Horizontal Offset "C1, C2, C3, etc."	
A1	.18 X 2.37 OD X 72	40.00	15.00	C1	.18 X 2.37 OD X 72	40.00	15.00	
A2	.18 X 2.37 OD X 72	40.00	48.00	C2	.18 X 2.37 OD X 72	40.00	48.00	
A3	.18 X 2.37 OD X 72	44.00	73.00	C3	.18 X 2.37 OD X 72	44.00	73.00	
A4	.18 X 2.37 OD X 72	40.00	99.00	C4	.18 X 2.37 OD X 72	40.00	99.00	
A5	.18 X 2.37 OD X 72	40.00	132.00	C5	.18 X 2.37 OD X 72	40.00	132.00	
A6				C6				
B1	.18 X 2.37 OD X 72	40.00	15.00	D1				
B2	.18 X 2.37 OD X 72	40.00	48.00	D2				
B3	.18 X 2.37 OD X 72	44.00	73.00	D3				
B4	.18 X 2.37 OD X 72	40.00	99.00	D4				
B5	.18 X 2.37 OD X 72	40.00	132.00	D5				
B6				D6				
Distance from top of bottom support rail to lowest tip of ant./eqpt. of Carrier above. (N/A if > 10 ft.):							3.6	
Distance from top of bottom support rail to highest tip of ant./eqpt. of Carrier below. (N/A if > 10 ft.):								
Please enter additional information or comments below.								
Tower Face Width at Mount Elev. (ft.):				Tower Leg Size or Pole Shaft Diameter at Mount Elev. (in.):				22.9



Ants. Items	Enter antenna model. If not labeled, enter "Unknown".					Mounting Locations [Units are inches and degrees]			Photos of antennas	
	Antenna Models if Known	Width (in.)	Depth (in.)	Height (in.)	Coax Size and Qty	Antenna Center-line (Ft.)	Vertical Distances "b _{3a} , b _{2a} , b _{3a} , b _{1b} ,..." (Inches)	Horiz. Offset "h" (Use "-" if Ant. is behind)	Antenna Azimuth (Degrees)	Photo Numbers
Sector A										
Ant _{1a}	UNKNOWN	12.00	6.00	72.00		82.4	36.00	16.00		180
Ant _{1b}										
Ant _{1c}										
Ant _{2a}	SBNHH-1D65B					83.2	25.00	9.00		186
Ant _{2b}	B13 RRH4X30					83.8	19.00	6.00		193
Ant _{2c}										
Ant _{3a}										
Ant _{3b}										
Ant _{3c}										
Ant _{4a}	SBNHH-1D65B					83.2	25.00	9.00		199
Ant _{4b}	B66A RRH 4X45					83.8	19.00	6.00		202
Ant _{4c}										
Ant _{5a}		12.00	6.00	72.00		82.4	36.00	16.00		207
Ant _{5b}										
Ant _{5c}										
Ant on Standoff	RHSDC-3315-PF-48					84.8	0.00	7.00		219
Ant on Standoff	RHSDC-3315-PF-48					84.8	0.00	7.00		219
Ant on Tower										
Ant on Tower										



Antenna Layout (Looking Out From Tower)

Observed Safety and Structural Issues During the Mount Mapping

Issue #	Description of Issue	Photo #
1		
2		
3		
4		
5		
6		
7		
8		

Mapping Notes

1. Please report any visible structural or safety issues observed on the antenna mounts (Damaged members, loose connections, tilting mounts, safety climb issues, etc.)
2. If the thickness of the existing pipes or tubing can't be obtained from a general tool (such as Caliper), please use an ultrasonic measurement tool (thickness gauge) to measure the thickness.
3. Please create all required detail sketches of the mounts and insert them into the "Sketches" tab.
4. Please measure and enter the bolt sizes and types under the Members Box in the spreadsheet of the mount type.
5. Take and label the photos of the tower, mounts, connections, antennas and all measurements. Minimum 50 photos are required.
6. Please measure and report the size and length of all existing antenna mounting pipes.
7. Please measure and report the antenna information for all sectors.
8. Don't delete or rearrange any sheet or contents of any sheet from this mapping form.

Standard Conditions

1. Obvious safety and structural issues/deficiencies noticed at the time of the mount mapping are to be reported in this mapping. However, this mount mapping is not a condition assessment of the mount.

SMART Tool[©] Vendor	Antenna Mount Mapping Form (PATENT PENDING)			FCC #
	Tower Owner:	CROWN CASTLE	Mapping Date:	4/10/2022
	Site Name:	WINDSOR2 CT	Tower Type:	MONOPOLE
	Site Number or ID:	468635	Tower Height (Ft.):	100
	Mapping Contractor:	Onsight Services LLC	Mount Elevation (Ft.):	82

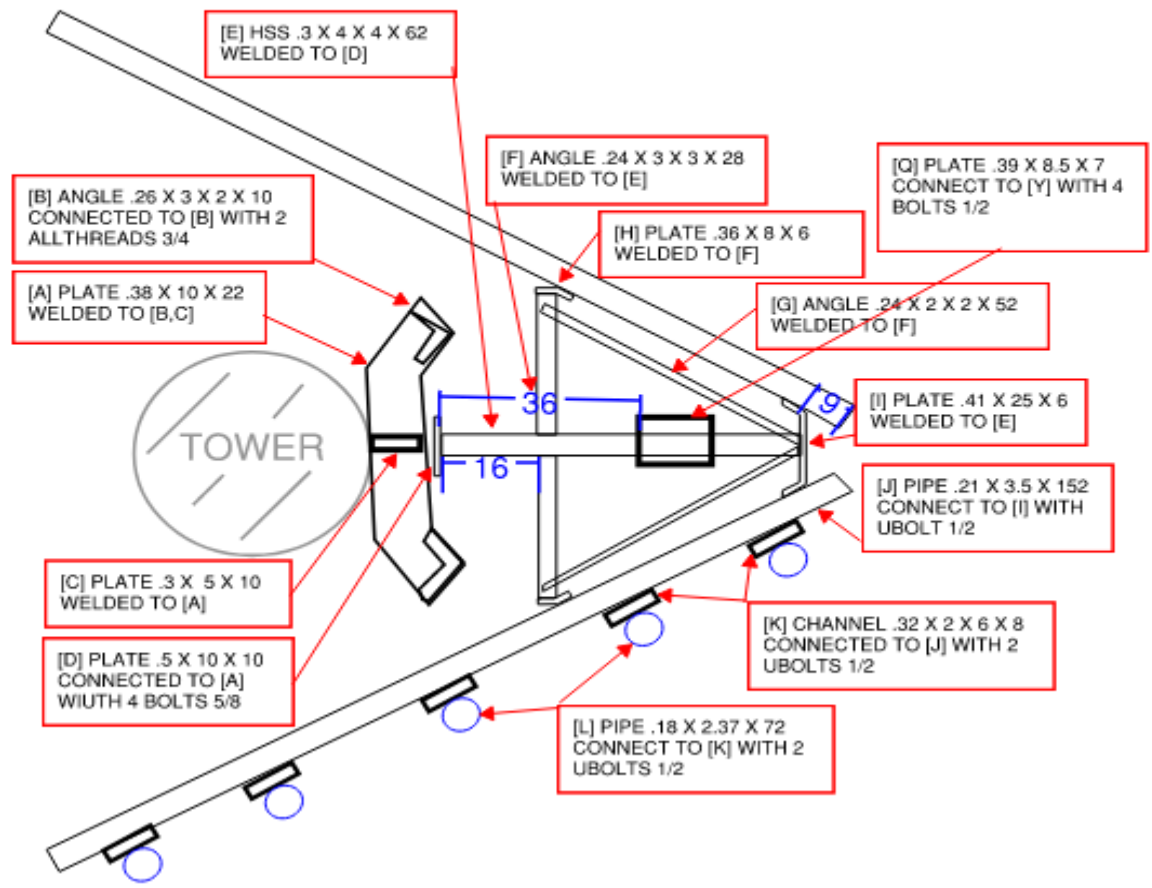
This antenna mapping form is the property of TES and under PATENT PENDING. The formation contained herein is considered confidential in nature and is to be used only for the specific customer it was intended for. Reproduction, transmission, publication, modification or disclosure by any method is prohibited except by express written permission of TES. All means and methods are the responsibility of the contractor and the work shall be compliant with ANSI/ASSE A 10.48, OSHA, FCC, FAA and other safety requirements that may apply. TES is not warranting the usability of the safety climb as it must be assessed prior to each use in compliance with OSHA requirements.

Please Insert Sketches of the Antenna Mount

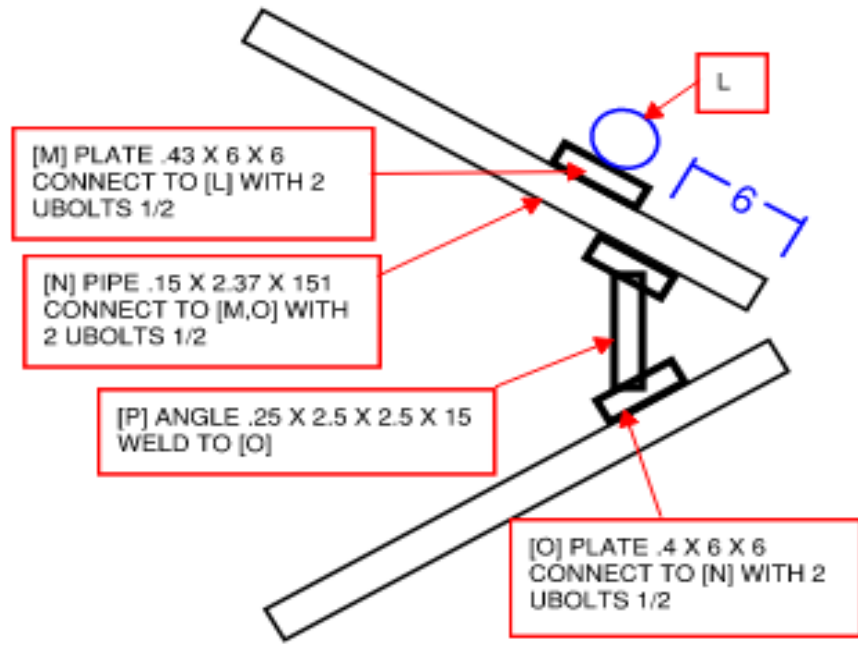
***All measurements / offsets given in inch**

Site Number:

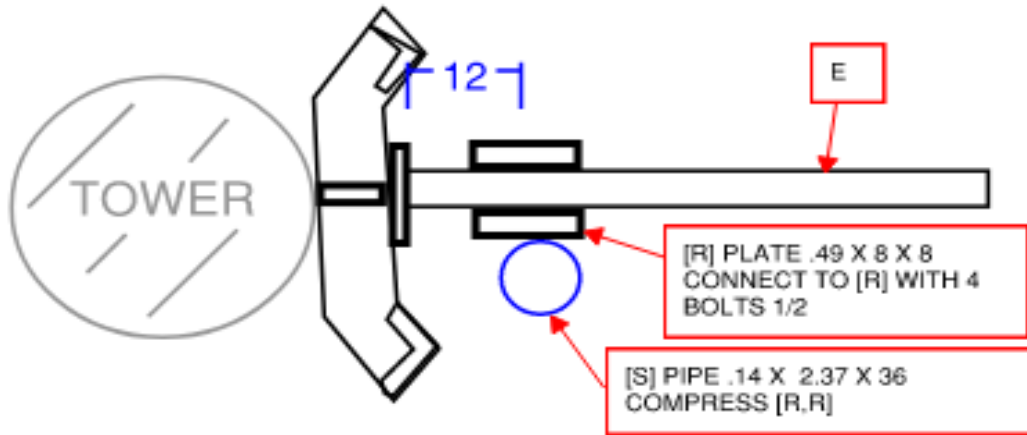
TOP VIEW



UPPER BAR VIEW



STANDOFF ANTENNA MOUNT

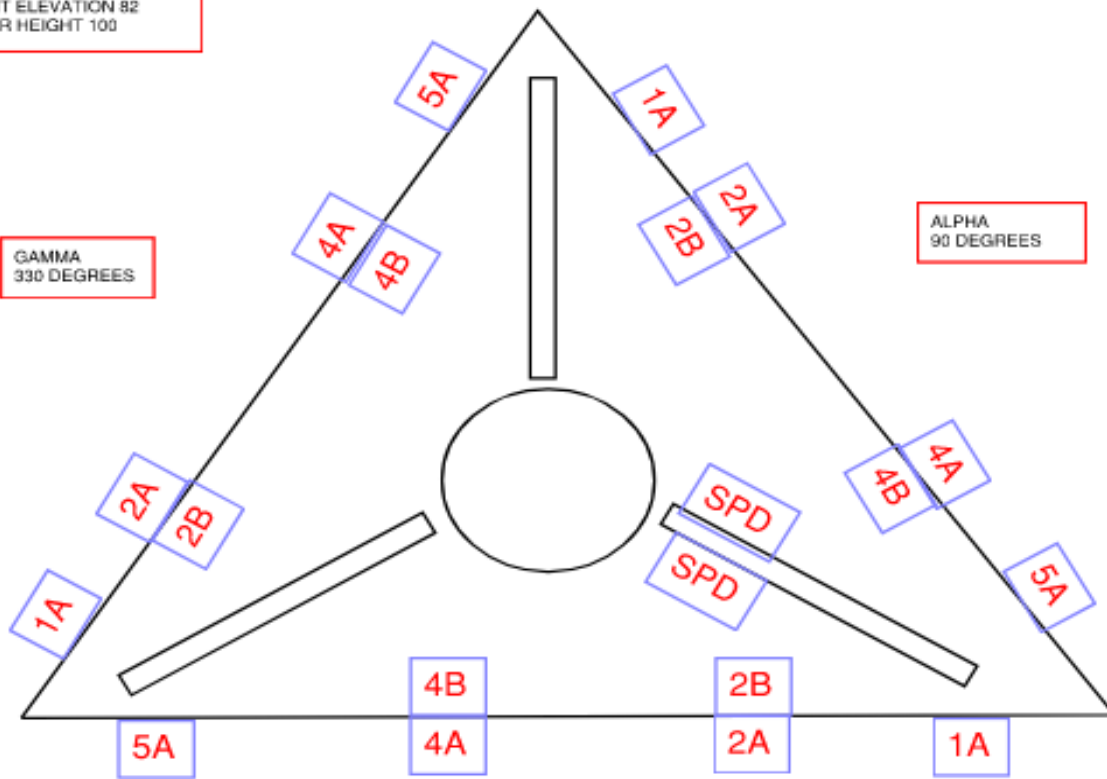


AZIMUTH

TOWER DIAMETER 22.9
MOUNT ELEVATION 82
TOWER HEIGHT 100

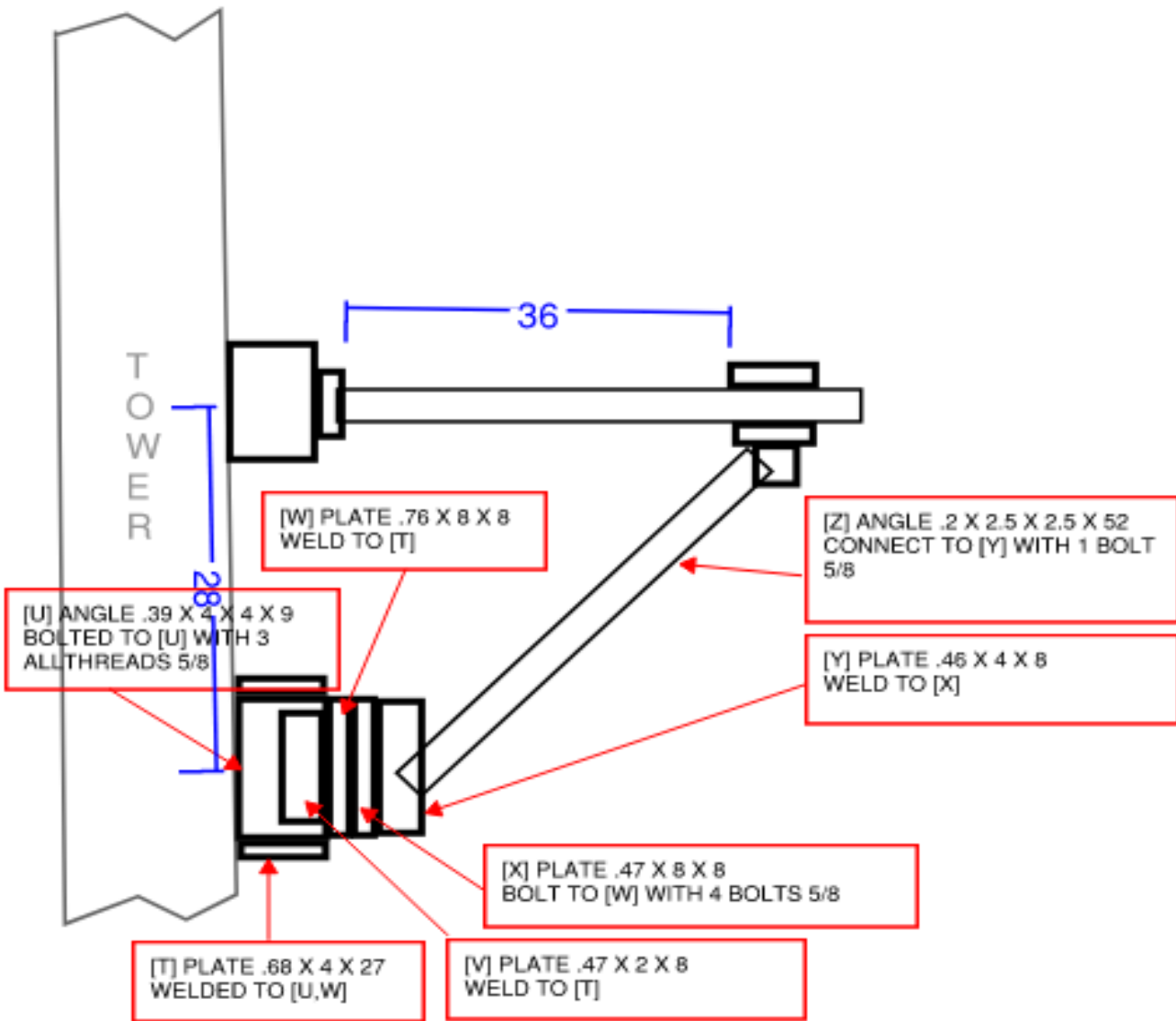
GAMMA
330 DEGREES

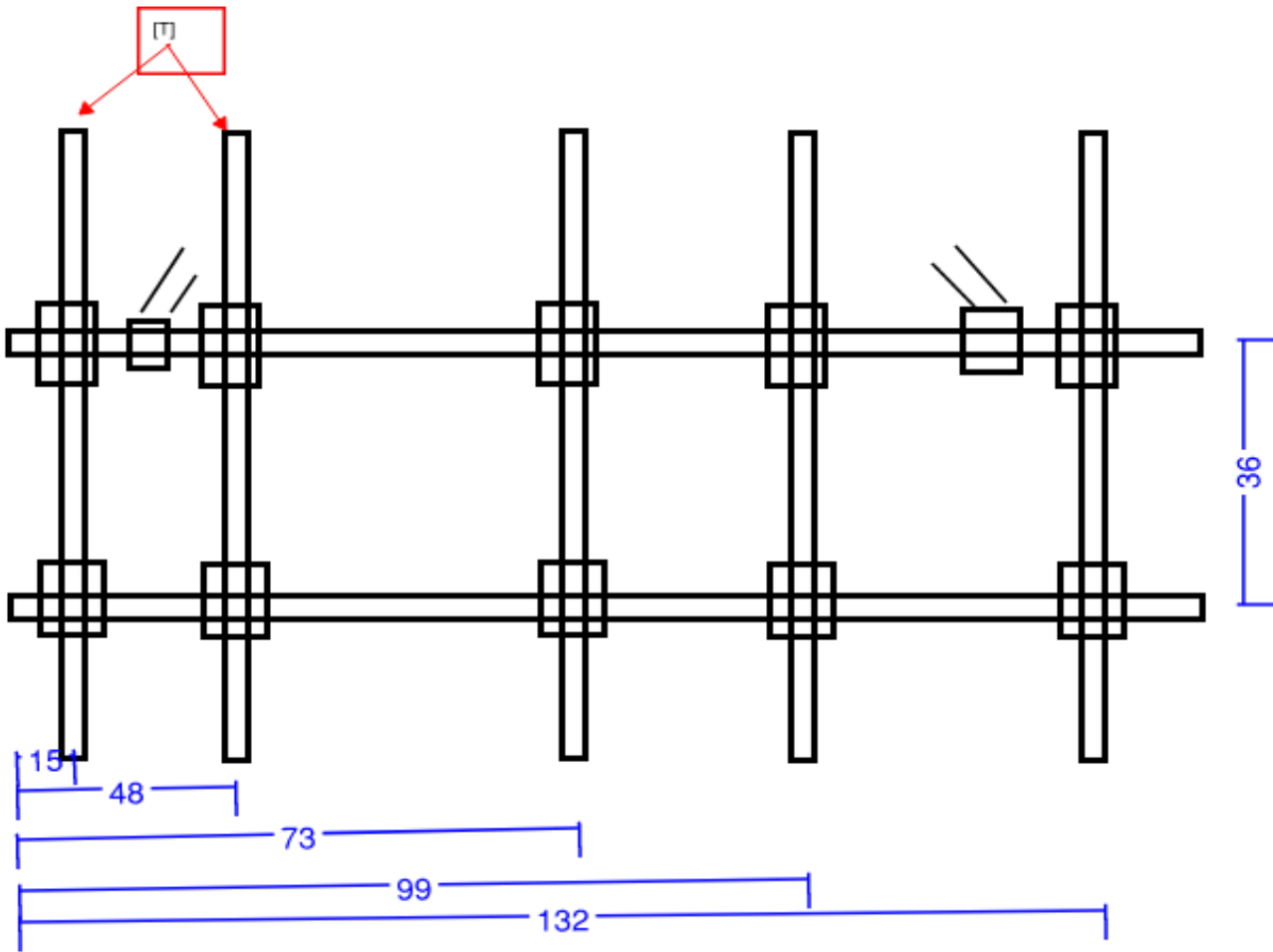
ALPHA
90 DEGREES

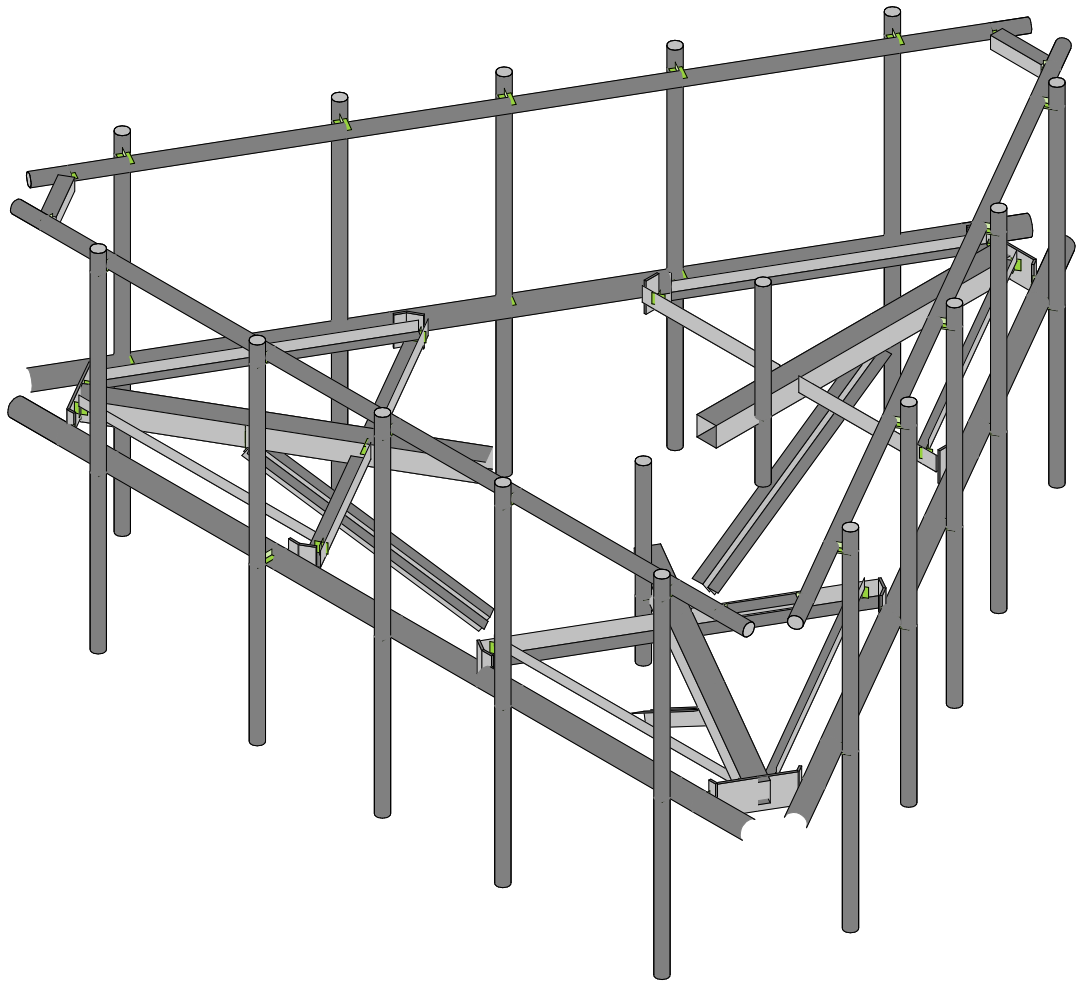
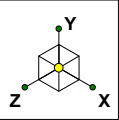


BETA 210 DEGREES

BOTTOM MOUNT CONNECTION





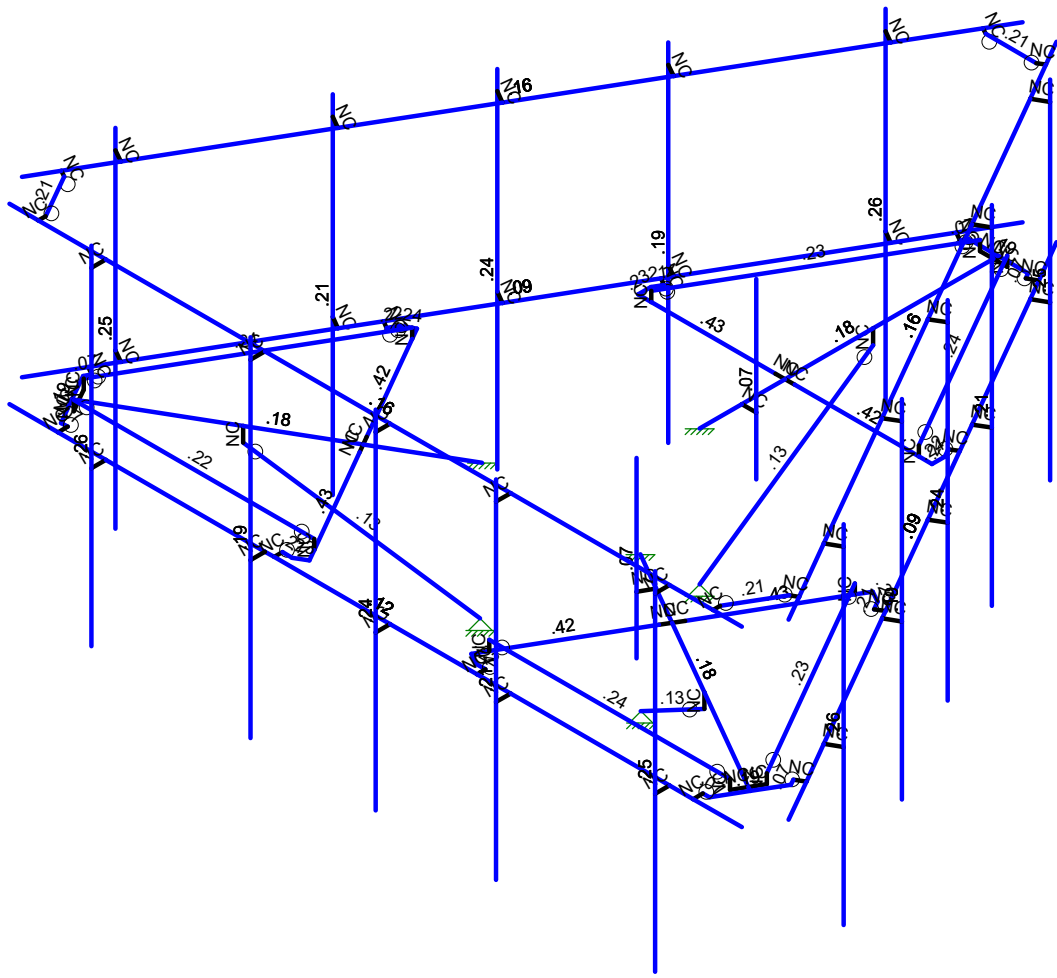
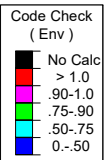
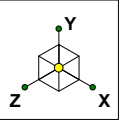


Envelope Only Solution

SK - 1

Apr 14, 2022 at 12:30 PM

468635-VZW_MT_LO_H.r3d

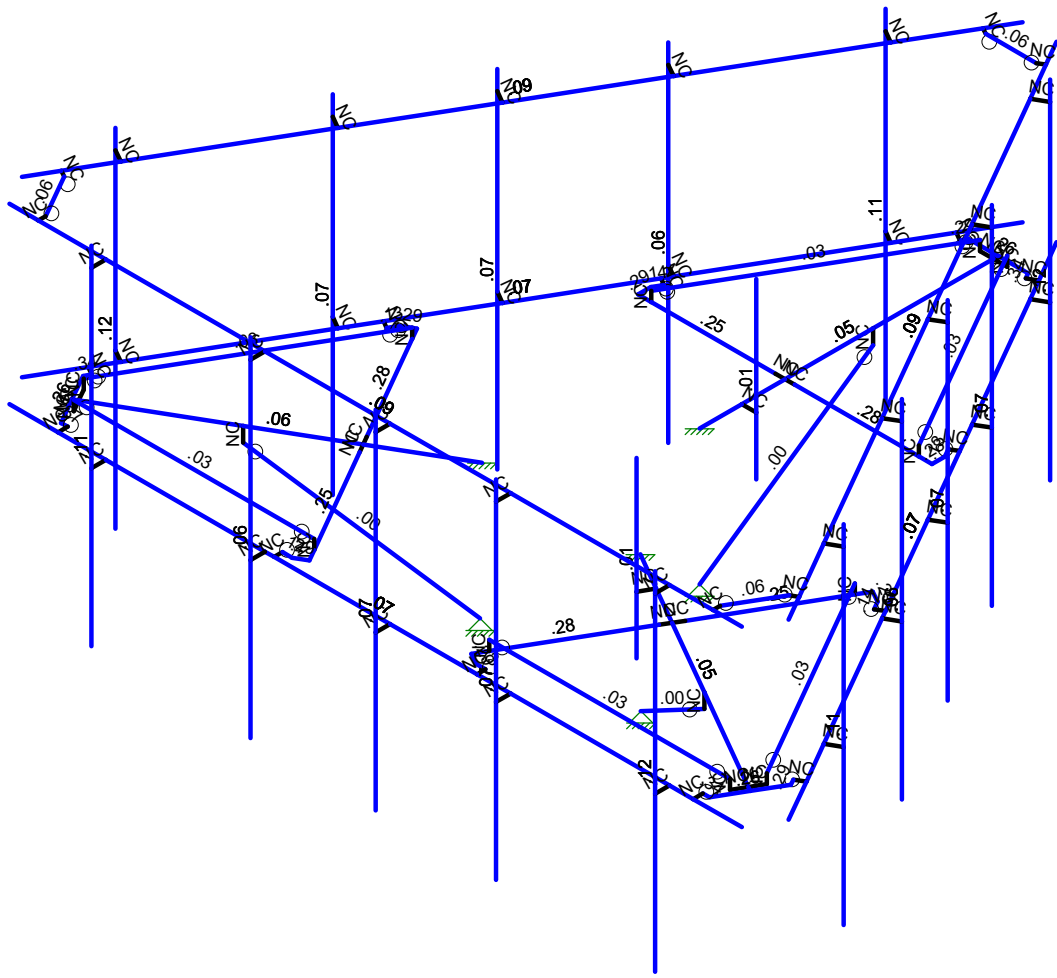
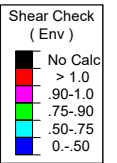
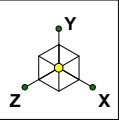


Member Code Checks Displayed (Enveloped)
Envelope Only Solution

SK - 2

Apr 14, 2022 at 12:30 PM

468635-VZW_MT_LO_H.r3d



Member Shear Checks Displayed (Enveloped)
Envelope Only Solution

SK - 3

Apr 14, 2022 at 12:30 PM

468635-VZW_MT_LO_H.r3d

Basic Load Cases

	BLC Description	Category	X Gravity	Y Gravity	Z Gravity	Joint	Point	Distribut...	Area(Me...	Surface(...
1	Antenna D	None					105			
2	Antenna Di	None					105			
3	Antenna Wo (0 Deg)	None					105			
4	Antenna Wo (30 Deg)	None					105			
5	Antenna Wo (60 Deg)	None					105			
6	Antenna Wo (90 Deg)	None					105			
7	Antenna Wo (120 Deg)	None					105			
8	Antenna Wo (150 Deg)	None					105			
9	Antenna Wo (180 Deg)	None					105			
10	Antenna Wo (210 Deg)	None					105			
11	Antenna Wo (240 Deg)	None					105			
12	Antenna Wo (270 Deg)	None					105			
13	Antenna Wo (300 Deg)	None					105			
14	Antenna Wo (330 Deg)	None					105			
15	Antenna Wi (0 Deg)	None					105			
16	Antenna Wi (30 Deg)	None					105			
17	Antenna Wi (60 Deg)	None					105			
18	Antenna Wi (90 Deg)	None					105			
19	Antenna Wi (120 Deg)	None					105			
20	Antenna Wi (150 Deg)	None					105			
21	Antenna Wi (180 Deg)	None					105			
22	Antenna Wi (210 Deg)	None					105			
23	Antenna Wi (240 Deg)	None					105			
24	Antenna Wi (270 Deg)	None					105			
25	Antenna Wi (300 Deg)	None					105			
26	Antenna Wi (330 Deg)	None					105			
27	Antenna Wm (0 Deg)	None					105			
28	Antenna Wm (30 Deg)	None					105			
29	Antenna Wm (60 Deg)	None					105			
30	Antenna Wm (90 Deg)	None					105			
31	Antenna Wm (120 Deg)	None					105			
32	Antenna Wm (150 Deg)	None					105			
33	Antenna Wm (180 Deg)	None					105			
34	Antenna Wm (210 Deg)	None					105			
35	Antenna Wm (240 Deg)	None					105			
36	Antenna Wm (270 Deg)	None					105			
37	Antenna Wm (300 Deg)	None					105			
38	Antenna Wm (330 Deg)	None					105			
39	Structure D	None		-1					3	
40	Structure Di	None						65	3	
41	Structure Wo (0 Deg)	None						130		
42	Structure Wo (30 Deg)	None						130		
43	Structure Wo (60 Deg)	None						130		
44	Structure Wo (90 Deg)	None						130		
45	Structure Wo (120 Deg)	None						130		
46	Structure Wo (150 Deg)	None						130		
47	Structure Wo (180 Deg)	None						130		
48	Structure Wo (210 Deg)	None						130		
49	Structure Wo (240 Deg)	None						130		
50	Structure Wo (270 Deg)	None						130		
51	Structure Wo (300 Deg)	None						130		
52	Structure Wo (330 Deg)	None						130		
53	Structure Wi (0 Deg)	None						130		
54	Structure Wi (30 Deg)	None						130		
55	Structure Wi (60 Deg)	None						130		
56	Structure Wi (90 Deg)	None						130		
57	Structure Wi (120 Deg)	None						130		
58	Structure Wi (150 Deg)	None						130		

Basic Load Cases (Continued)

BLC Description	Category	X Gravity	Y Gravity	Z Gravity	Joint	Point	Distribut...	Area(Me...	Surface(...
59 Structure Wi (180 Deg)	None						130		
60 Structure Wi (210 Deg)	None						130		
61 Structure Wi (240 Deg)	None						130		
62 Structure Wi (270 Deg)	None						130		
63 Structure Wi (300 Deg)	None						130		
64 Structure Wi (330 Deg)	None						130		
65 Structure Wm (0 Deg)	None						130		
66 Structure Wm (30 Deg)	None						130		
67 Structure Wm (60 Deg)	None						130		
68 Structure Wm (90 Deg)	None						130		
69 Structure Wm (120 Deg)	None						130		
70 Structure Wm (150 Deg)	None						130		
71 Structure Wm (180 Deg)	None						130		
72 Structure Wm (210 Deg)	None						130		
73 Structure Wm (240 Deg)	None						130		
74 Structure Wm (270 Deg)	None						130		
75 Structure Wm (300 Deg)	None						130		
76 Structure Wm (330 Deg)	None						130		
77 Lm1	None					1			
78 Lm2	None					1			
79 Lv1	None					1			
80 Lv2	None					1			
81 Antenna Ev	None					105			
82 Antenna Eh (0 Deg)	None					70			
83 Antenna Eh (90 Deg)	None					70			
84 Structure Ev	ELY		-0.037						
85 Structure Eh (0 Deg)	ELZ			-0.093					
86 Structure Eh (90 Deg)	ELX	0.093							
87 BLC 39 Transient Area Loads	None						30		
88 BLC 40 Transient Area Loads	None						30		

Load Combinations

Description	Sol...	P...	S...	B...	Fa...	B...	Fa...	B...	Fa...	B...	Fa...	B...	Fa...	B...	Fa...	B...	Fa...	B...	Fa...	B...	Fa...	
1 1.2D+1.0Wo (0 Deg)	Yes	Y		1	1.2	39	1.2	3	1	41	1											
2 1.2D+1.0Wo (30 Deg)	Yes	Y		1	1.2	39	1.2	4	1	42	1											
3 1.2D+1.0Wo (60 Deg)	Yes	Y		1	1.2	39	1.2	5	1	43	1											
4 1.2D+1.0Wo (90 Deg)	Yes	Y		1	1.2	39	1.2	6	1	44	1											
5 1.2D+1.0Wo (120 Deg)	Yes	Y		1	1.2	39	1.2	7	1	45	1											
6 1.2D+1.0Wo (150 Deg)	Yes	Y		1	1.2	39	1.2	8	1	46	1											
7 1.2D+1.0Wo (180 Deg)	Yes	Y		1	1.2	39	1.2	9	1	47	1											
8 1.2D+1.0Wo (210 Deg)	Yes	Y		1	1.2	39	1.2	10	1	48	1											
9 1.2D+1.0Wo (240 Deg)	Yes	Y		1	1.2	39	1.2	11	1	49	1											
10 1.2D+1.0Wo (270 Deg)	Yes	Y		1	1.2	39	1.2	12	1	50	1											
11 1.2D+1.0Wo (300 Deg)	Yes	Y		1	1.2	39	1.2	13	1	51	1											
12 1.2D+1.0Wo (330 Deg)	Yes	Y		1	1.2	39	1.2	14	1	52	1											
13 1.2D + 1.0Di + 1.0Wi (0 D...	Yes	Y		1	1.2	39	1.2	2	1	40	1	15	1	53	1							
14 1.2D + 1.0Di + 1.0Wi (30 ...	Yes	Y		1	1.2	39	1.2	2	1	40	1	16	1	54	1							
15 1.2D + 1.0Di + 1.0Wi (60 ...	Yes	Y		1	1.2	39	1.2	2	1	40	1	17	1	55	1							
16 1.2D + 1.0Di + 1.0Wi (90 ...	Yes	Y		1	1.2	39	1.2	2	1	40	1	18	1	56	1							
17 1.2D + 1.0Di + 1.0Wi (120 ...	Yes	Y		1	1.2	39	1.2	2	1	40	1	19	1	57	1							
18 1.2D + 1.0Di + 1.0Wi (150 ...	Yes	Y		1	1.2	39	1.2	2	1	40	1	20	1	58	1							
19 1.2D + 1.0Di + 1.0Wi (180 ...	Yes	Y		1	1.2	39	1.2	2	1	40	1	21	1	59	1							
20 1.2D + 1.0Di + 1.0Wi (210 ...	Yes	Y		1	1.2	39	1.2	2	1	40	1	22	1	60	1							
21 1.2D + 1.0Di + 1.0Wi (240 ...	Yes	Y		1	1.2	39	1.2	2	1	40	1	23	1	61	1							
22 1.2D + 1.0Di + 1.0Wi (270 ...	Yes	Y		1	1.2	39	1.2	2	1	40	1	24	1	62	1							
23 1.2D + 1.0Di + 1.0Wi (300 ...	Yes	Y		1	1.2	39	1.2	2	1	40	1	25	1	63	1							
24 1.2D + 1.0Di + 1.0Wi (330 ...	Yes	Y		1	1.2	39	1.2	2	1	40	1	26	1	64	1							

Joint Coordinates and Temperatures (Continued)

	Label	X [ft]	Y [ft]	Z [ft]	Temp [F]	Detach From Diap...
4	N32	2.315104	0.166667	-3.083333	0	
5	N33	-2.315104	0.166667	-3.083333	0	
6	N34	-0.	0	-3.083333	0	
7	N35	-0.	0	-6.770833	0	
8	N36	2.315104	0	-3.083333	0	
9	N37	-2.315104	0	-3.083333	0	
10	N38	2.541667	0	-3.083333	0	
11	N39	-0.166667	0	-3.083333	0	
12	N40	0.166667	0	-3.083333	0	
13	N41	-2.541667	0	-3.302083	0	
14	N42	2.541667	0	-3.302083	0	
15	N43	2.458333	0	-3.446421	0	
16	N44	0.571615	0	-6.673857	0	
17	N45	-2.458333	0	-3.446421	0	
18	N46	-0.571615	0	-6.673857	0	
19	N47	2.584629	0	-3.519338	0	
20	N48	-2.584629	0	-3.519338	0	
21	N49	-0.515625	0	-6.770833	0	
22	N50	0.515625	0	-6.770833	0	
23	N51	0.715429	0	-6.756888	0	
24	N52	-0.715429	0	-6.756888	0	
25	N53	-0.	0	-6.6875	0	
26	N54	0.234238	0.166667	-6.6875	0	
27	N55	0.234238	0	-6.6875	0	
28	N56	-0.234238	0.166667	-6.6875	0	
29	N57	-0.234238	0	-6.6875	0	
30	N86	6.333333	0	3.998023	0	
31	N87	-6.333336	0	3.998023	0	
32	N92	5.083339	0	3.998023	0	
33	N93	5.083339	0	4.248023	0	
34	N94	5.083339	3.333333	4.248023	0	
35	N95	5.083339	-2.666667	4.248023	0	
36	N96	0.250005	0	3.998023	0	
37	N97	0.250005	0	4.248023	0	
38	N98	0.250005	3.333333	4.248023	0	
39	N99	0.250005	-2.666667	4.248023	0	
40	N100	-1.916661	0	3.998023	0	
41	N101	-1.916661	0	4.248023	0	
42	N102	-1.916661	3.333333	4.248023	0	
43	N103	-1.916661	-2.666667	4.248023	0	
44	N104	-4.666661	0	3.998023	0	
45	N105	-4.666661	0	4.248023	0	
46	N106	-4.666661	3.333333	4.248023	0	
47	N107	-4.666661	-2.666667	4.248023	0	
48	N142	-0.	0	-2.333333	0	
49	N143	0.25	0	-2.333333	0	
50	N144	0.25	2	-2.333333	0	
51	N145	0.25	-1	-2.333333	0	
52	N52A	6.333333	3	3.998023	0	
53	N53A	-6.333336	3	3.998023	0	
54	N54A	5.083339	3	3.998023	0	
55	N55A	5.083339	3	4.248023	0	
56	N56A	0.250005	3	3.998023	0	
57	N57A	0.250005	3	4.248023	0	
58	N58	-1.916661	3	3.998023	0	
59	N59	-1.916661	3	4.248023	0	
60	N60	-4.666661	3	3.998023	0	
61	N61	-4.666661	3	4.248023	0	
62	N62	2.333339	0	3.998023	0	

Joint Coordinates and Temperatures (Continued)

	Label	X [ft]	Y [ft]	Z [ft]	Temp [F]	Detach From Diap...
63	N63	2.333339	0	4.248023	0	
64	N64	2.333339	3.333333	4.248023	0	
65	N65	2.333339	-2.666667	4.248023	0	
66	N66	2.333339	3	3.998023	0	
67	N67	2.333339	3	4.248023	0	
68	N69	-1.371207	0	0.791667	0	
69	N70	-1.399412	0	3.742815	0	
70	N71	-3.827797	0.166667	-0.463272	0	
71	N72	-1.512693	0.166667	3.546606	0	
72	N73	-2.670245	0	1.541667	0	
73	N74	-5.863714	0	3.385417	0	
74	N75	-3.827797	0	-0.463272	0	
75	N76	-1.512693	0	3.546606	0	
76	N77	-3.941078	0	-0.659481	0	
77	N78	-2.586912	0	1.686004	0	
78	N79	-2.753578	0	1.397329	0	
79	N80	-1.588855	0	3.85219	0	
80	N81	-4.130521	0	-0.550106	0	
81	N82	-4.213855	0	-0.405769	0	
82	N83	-6.065537	0	2.841896	0	
83	N84	-1.755521	0	3.85219	0	
84	N85	-5.493922	0	3.831961	0	
85	N86A	-4.34015	0	-0.478685	0	
86	N87A	-1.755521	0	3.998023	0	
87	N88	-5.605901	0	3.831961	0	
88	N89	-6.121526	0	2.938872	0	
89	N90	-6.209351	0	2.758864	0	
90	N91	-5.493922	0	3.998023	0	
91	N92A	-5.791545	0	3.34375	0	
92	N93A	-5.908664	0.166667	3.140894	0	
93	N94A	-5.908664	0	3.140894	0	
94	N95A	-5.674426	0.166667	3.546606	0	
95	N96A	-5.674426	0	3.546606	0	
96	N97A	0.295725	0	-7.483837	0	
97	N98A	6.629058	0	3.485819	0	
98	N99A	0.92072	0	-6.401312	0	
99	N100A	1.137227	0	-6.526312	0	
100	N101A	1.137227	3.333333	-6.526312	0	
101	N102A	1.137227	-2.666667	-6.526312	0	
102	N103A	3.337387	0	-2.215523	0	
103	N104A	3.553893	0	-2.340523	0	
104	N105A	3.553893	3.333333	-2.340523	0	
105	N106A	3.553893	-2.666667	-2.340523	0	
106	N107A	4.42072	0	-0.339134	0	
107	N108	4.637227	0	-0.464134	0	
108	N109	4.637227	3.333333	-0.464134	0	
109	N110	4.637227	-2.666667	-0.464134	0	
110	N111	5.79572	0	2.042436	0	
111	N112	6.012227	0	1.917436	0	
112	N113	6.012227	3.333333	1.917436	0	
113	N114	6.012227	-2.666667	1.917436	0	
114	N119	0.295725	3	-7.483837	0	
115	N120	6.629058	3	3.485819	0	
116	N121	0.92072	3	-6.401312	0	
117	N122	1.137227	3	-6.526312	0	
118	N123	3.337387	3	-2.215523	0	
119	N124	3.553893	3	-2.340523	0	
120	N125	4.42072	3	-0.339134	0	
121	N126	4.637227	3	-0.464134	0	

Joint Coordinates and Temperatures (Continued)

	Label	X [ft]	Y [ft]	Z [ft]	Temp [F]	Detach From Diap...
122	N127	5.79572	3	2.042436	0	
123	N128	6.012227	3	1.917436	0	
124	N129	2.29572	0	-4.019742	0	
125	N130	2.512227	0	-4.144742	0	
126	N131	2.512227	3.333333	-4.144742	0	
127	N132	2.512227	-2.666667	-4.144742	0	
128	N133	2.29572	3	-4.019742	0	
129	N134	2.512227	3	-4.144742	0	
130	N136	1.371207	0	0.791667	0	
131	N137	3.941078	0	-0.659481	0	
132	N138	1.512693	0.166667	3.546606	0	
133	N139	3.827797	0.166667	-0.463272	0	
134	N140	2.670245	0	1.541667	0	
135	N141	5.863714	0	3.385417	0	
136	N142A	1.512693	0	3.546606	0	
137	N143A	3.827797	0	-0.463272	0	
138	N144A	1.399412	0	3.742815	0	
139	N145A	2.753578	0	1.397329	0	
140	N146	2.586912	0	1.686004	0	
141	N147	4.130521	0	-0.550106	0	
142	N148	1.588855	0	3.85219	0	
143	N149	1.755521	0	3.85219	0	
144	N150	5.493922	0	3.831961	0	
145	N151	4.213855	0	-0.405769	0	
146	N152	6.065537	0	2.841896	0	
147	N153	1.755521	0	3.998023	0	
148	N154	4.34015	0	-0.478686	0	
149	N155	6.121526	0	2.938872	0	
150	N156	5.605901	0	3.831961	0	
151	N157	5.493922	0	3.998023	0	
152	N158	6.209351	0	2.758864	0	
153	N159	5.791545	0	3.34375	0	
154	N160	5.674426	0.166667	3.546606	0	
155	N161	5.674426	0	3.546606	0	
156	N162	5.908664	0.166667	3.140894	0	
157	N163	5.908664	0	3.140894	0	
158	N164	-6.629055	0	3.485813	0	
159	N165	-0.295722	0	-7.483842	0	
160	N166	-6.004059	0	2.403289	0	
161	N167	-6.220565	0	2.278289	0	
162	N168	-6.220565	3.333333	2.278289	0	
163	N169	-6.220565	-2.666667	2.278289	0	
164	N170	-3.587392	0	-1.782501	0	
165	N171	-3.803899	0	-1.907501	0	
166	N172	-3.803899	3.333333	-1.907501	0	
167	N173	-3.803899	-2.666667	-1.907501	0	
168	N174	-2.504059	0	-3.658889	0	
169	N175	-2.720565	0	-3.783889	0	
170	N176	-2.720565	3.333333	-3.783889	0	
171	N177	-2.720565	-2.666667	-3.783889	0	
172	N178	-1.129059	0	-6.040459	0	
173	N179	-1.345565	0	-6.165459	0	
174	N180	-1.345565	3.333333	-6.165459	0	
175	N181	-1.345565	-2.666667	-6.165459	0	
176	N182	2.020726	0	1.166667	0	
177	N183	1.895726	0	1.383173	0	
178	N184	1.895726	2	1.383173	0	
179	N185	1.895726	-1	1.383173	0	
180	N186	-6.629055	3	3.485813	0	

Joint Coordinates and Temperatures (Continued)

	Label	X [ft]	Y [ft]	Z [ft]	Temp [F]	Detach From Diap...
181	N187	-0.295722	3	-7.483842	0	
182	N188	-6.004059	3	2.403289	0	
183	N189	-6.220565	3	2.278289	0	
184	N190	-3.587392	3	-1.782501	0	
185	N191	-3.803899	3	-1.907501	0	
186	N192	-2.504059	3	-3.658889	0	
187	N193	-2.720565	3	-3.783889	0	
188	N194	-1.129059	3	-6.040459	0	
189	N195	-1.345565	3	-6.165459	0	
190	N196	-4.629059	0	0.021719	0	
191	N197	-4.845565	0	-0.103281	0	
192	N198	-4.845565	3.333333	-0.103281	0	
193	N199	-4.845565	-2.666667	-0.103281	0	
194	N200	-4.629059	3	0.021719	0	
195	N201	-4.845565	3	-0.103281	0	
196	N200A	-5.833336	3	3.998023	0	
197	N201A	-5.833336	3	3.873023	0	
198	N202	5.833336	3	3.998023	0	
199	N203	5.833336	3	3.873023	0	
200	N204	6.379058	3	3.052806	0	
201	N205	6.270805	3	3.115306	0	
202	N206	0.545722	3	-7.050829	0	
203	N207	0.437468	3	-6.988329	0	
204	N208	-0.545722	3	-7.050829	0	
205	N209	-0.437468	3	-6.988329	0	
206	N210	-6.379058	3	3.052806	0	
207	N211	-6.270805	3	3.115306	0	
208	N212	-0.	0	-4.604167	0	
209	N213	-0.	-.25	-4.604167	0	
210	N214	-0.	-2.333333	-1.604167	0	
211	N215	-3.987325	0	2.302083	0	
212	N216	-3.987325	-.25	2.302083	0	
213	N217	-1.389249	-2.333333	0.802083	0	
214	N218	3.987325	0	2.302083	0	
215	N219	3.987325	-.25	2.302083	0	
216	N220	1.389249	-2.333333	0.802083	0	

Hot Rolled Steel Section Sets

	Label	Shape	Type	Design List	Material	Design ... A [in2]	Iyy [in4]	Izz [in4]	J [in4]	
1	Face Horizontal	PIPE 3.0	Beam	Pipe	A53 Gr.B	Typical	2.07	2.85	2.85	5.69
2	Standoff Horizontal	HSS4X4X5	Beam	SquareTube	A500 Gr.B Rect	Typical	4.1	9.14	9.14	15.3
3	Corner Plate	PL3/8x6	Beam	BAR	A36 Gr.36	Typical	2.25	.026	6.75	.101
4	Platform Crossmember	L3X3X4	Beam	SquareTube	A500 Gr.B Rect	Typical	1.44	1.23	1.23	.031
5	Grating Support	L2x2x4	Beam	Single Angle	A36 Gr.36	Typical	.944	.346	.346	.021
6	Mount Pipe	PIPE 2.0	Column	Pipe	A53 Gr.B	Typical	1.02	.627	.627	1.25
7	Cross Arm Plate	PL3/8x6	Column	RECT	A36 Gr.36	Typical	2.25	.026	6.75	.101
8	Support Rail	PIPE 2.0	Column	Pipe	A53 Gr.B	Typical	1.02	.627	.627	1.25
9	Support Rail Corner Connection	L2.5x2.5x4	Column	Single Angle	A36 Gr.36	Typical	1.19	.692	.692	.026
10	Kicker	LL2.5x2.5x...	Column	Double Angle (3...	A36 Gr.36	Typical	1.8	2.46	1.07	.023

Hot Rolled Steel Properties

	Label	E [ksi]	G [ksi]	Nu	Therm (/1E...Density[k/ft...	Yield[ksi]	Ry	Fu[ksi]	Rt	
1	A992	29000	11154	.3	.65	.49	50	1.1	65	1.1
2	A36 Gr.36	29000	11154	.3	.65	.49	36	1.5	58	1.2
3	A572 Gr.50	29000	11154	.3	.65	.49	50	1.1	65	1.1
4	A500 Gr.B RND	29000	11154	.3	.65	.527	42	1.4	58	1.3

Hot Rolled Steel Properties (Continued)

	Label	E [ksi]	G [ksi]	Nu	Therm (/1E...	Density[k/ft...	Yield[ksi]	Ry	Fu[ksi]	Rt
5	A500 Gr.B Rect	29000	11154	.3	.65	.527	46	1.4	58	1.3
6	A53 Gr.B	29000	11154	.3	.65	.49	35	1.6	60	1.2
7	A1085	29000	11154	.3	.65	.49	50	1.4	65	1.3
8	Q235	29000	11154	.3	.65	.49	35	1.5	58	1.2

Member Primary Data

	Label	I Joint	J Joint	K Joint	Rotate(deg)	Section/Shape	Type	Design List	Material	Design Rules
1	M25	N30	N35			Standoff Horiz...	Beam	SquareTube	A500 Gr.B...	Typical
2	M26	N38	N40			Platform Cross...	Beam	SquareTube	A500 Gr.B...	Typical
3	M27	N39	N31			Platform Cross...	Beam	SquareTube	A500 Gr.B...	Typical
4	M28	N49	N50			Corner Plate	Beam	BAR	A36 Gr.36	Typical
5	M29	N33	N37		240	RIGID	None	None	RIGID	Typical
6	M30	N32	N36		240	RIGID	None	None	RIGID	Typical
7	M31	N54	N32			Grating Support	Beam	Single Angle	A36 Gr.36	Typical
8	M32	N33	N56			Grating Support	Beam	Single Angle	A36 Gr.36	Typical
9	M33	N56	N57		240	RIGID	None	None	RIGID	Typical
10	M34	N39	N34			RIGID	None	None	RIGID	Typical
11	M35	N34	N40			RIGID	None	None	RIGID	Typical
12	M36	N38	N42			Cross Arm Plate	Column	RECT	A36 Gr.36	Typical
13	M37	N42	N43			Cross Arm Plate	Column	RECT	A36 Gr.36	Typical
14	M38	N43	N47			RIGID	None	None	RIGID	Typical
15	M39	N50	N44			Corner Plate	Beam	BAR	A36 Gr.36	Typical
16	M40	N44	N51			RIGID	None	None	RIGID	Typical
17	M41	N31	N41			Cross Arm Plate	Column	RECT	A36 Gr.36	Typical
18	M42	N41	N45			Cross Arm Plate	Column	RECT	A36 Gr.36	Typical
19	M43	N45	N48			RIGID	None	None	RIGID	Typical
20	M44	N49	N46			Corner Plate	Beam	BAR	A36 Gr.36	Typical
21	M45	N46	N52			RIGID	None	None	RIGID	Typical
22	M46	N57	N53			RIGID	None	None	RIGID	Typical
23	M47	N53	N55			RIGID	None	None	RIGID	Typical
24	M48	N54	N55		240	RIGID	None	None	RIGID	Typical
25	FACE	N86	N87			Face Horizontal	Beam	Pipe	A53 Gr.B	Typical
26	M76	N92	N93			RIGID	None	None	RIGID	Typical
27	MP1A	N94	N95			Mount Pipe	Column	Pipe	A53 Gr.B	Typical
28	L1	N96	N97			RIGID	None	None	RIGID	Typical
29	MP3A	N98	N99			Mount Pipe	Column	Pipe	A53 Gr.B	Typical
30	M80	N100	N101			RIGID	None	None	RIGID	Typical
31	MP4A	N102	N103			Mount Pipe	Column	Pipe	A53 Gr.B	Typical
32	L2	N104	N105			RIGID	None	None	RIGID	Typical
33	MP5A	N106	N107			Mount Pipe	Column	Pipe	A53 Gr.B	Typical
34	M101	N142	N143			RIGID	None	None	RIGID	Typical
35	OVP1	N144	N145			Mount Pipe	Column	Pipe	A53 Gr.B	Typical
36	M36A	N54A	N55A			RIGID	None	None	RIGID	Typical
37	M37A	N56A	N57A			RIGID	None	None	RIGID	Typical
38	M38A	N58	N59			RIGID	None	None	RIGID	Typical
39	M39A	N60	N61			RIGID	None	None	RIGID	Typical
40	M40A	N52A	N53A			Support Rail	Column	Pipe	A53 Gr.B	Typical
41	M41A	N62	N63			RIGID	None	None	RIGID	Typical
42	MP2A	N64	N65			Mount Pipe	Column	Pipe	A53 Gr.B	Typical
43	M43A	N66	N67			RIGID	None	None	RIGID	Typical
44	M44A	N69	N74			Standoff Horiz...	Beam	SquareTube	A500 Gr.B...	Typical
45	M45A	N77	N79			Platform Cross...	Beam	SquareTube	A500 Gr.B...	Typical
46	M46A	N78	N70			Platform Cross...	Beam	SquareTube	A500 Gr.B...	Typical
47	M47A	N88	N89			Corner Plate	Beam	BAR	A36 Gr.36	Typical
48	M48A	N72	N76		240	RIGID	None	None	RIGID	Typical
49	M49	N71	N75		240	RIGID	None	None	RIGID	Typical
50	M50	N93A	N71			Grating Support	Beam	Single Angle	A36 Gr.36	Typical

Member Primary Data (Continued)

	Label	I Joint	J Joint	K Joint	Rotate(deg)	Section/Shape	Type	Design List	Material	Design Rules
51	M51	N72	N95A			Grating Support	Beam	Single Angle	A36 Gr.36	Typical
52	M52	N95A	N96A		240	RIGID	None	None	RIGID	Typical
53	M53	N78	N73			RIGID	None	None	RIGID	Typical
54	M54	N73	N79			RIGID	None	None	RIGID	Typical
55	M55	N77	N81			Cross Arm Plate	Column	RECT	A36 Gr.36	Typical
56	M56	N81	N82			Cross Arm Plate	Column	RECT	A36 Gr.36	Typical
57	M57	N82	N86A			RIGID	None	None	RIGID	Typical
58	M58	N89	N83			Corner Plate	Beam	BAR	A36 Gr.36	Typical
59	M59	N83	N90			RIGID	None	None	RIGID	Typical
60	M60	N70	N80			Cross Arm Plate	Column	RECT	A36 Gr.36	Typical
61	M61	N80	N84			Cross Arm Plate	Column	RECT	A36 Gr.36	Typical
62	M62	N84	N87A			RIGID	None	None	RIGID	Typical
63	M63	N88	N85			Corner Plate	Beam	BAR	A36 Gr.36	Typical
64	M64	N85	N91			RIGID	None	None	RIGID	Typical
65	M65	N96A	N92A			RIGID	None	None	RIGID	Typical
66	M66	N92A	N94A			RIGID	None	None	RIGID	Typical
67	M67	N93A	N94A		240	RIGID	None	None	RIGID	Typical
68	M68	N97A	N98A			Face Horizontal	Beam	Pipe	A53 Gr.B	Typical
69	M69	N99A	N100A			RIGID	None	None	RIGID	Typical
70	MP1C	N101A	N102A			Mount Pipe	Column	Pipe	A53 Gr.B	Typical
71	M71	N103A	N104A			RIGID	None	None	RIGID	Typical
72	MP3C	N105A	N106A			Mount Pipe	Column	Pipe	A53 Gr.B	Typical
73	M73A	N107A	N108			RIGID	None	None	RIGID	Typical
74	MP4C	N109	N110			Mount Pipe	Column	Pipe	A53 Gr.B	Typical
75	M75	N111	N112			RIGID	None	None	RIGID	Typical
76	MP5C	N113	N114			Mount Pipe	Column	Pipe	A53 Gr.B	Typical
77	M79	N121	N122			RIGID	None	None	RIGID	Typical
78	M80A	N123	N124			RIGID	None	None	RIGID	Typical
79	M81	N125	N126			RIGID	None	None	RIGID	Typical
80	M82A	N127	N128			RIGID	None	None	RIGID	Typical
81	M83	N119	N120			Support Rail	Column	Pipe	A53 Gr.B	Typical
82	M84	N129	N130			RIGID	None	None	RIGID	Typical
83	MP2C	N131	N132			Mount Pipe	Column	Pipe	A53 Gr.B	Typical
84	M86	N133	N134			RIGID	None	None	RIGID	Typical
85	M87	N136	N141			Standoff Horiz...	Beam	SquareTube	A500 Gr.B...	Typical
86	M88	N144A	N146			Platform Cross...	Beam	SquareTube	A500 Gr.B...	Typical
87	M89	N145A	N137			Platform Cross...	Beam	SquareTube	A500 Gr.B...	Typical
88	M90	N155	N156			Corner Plate	Beam	BAR	A36 Gr.36	Typical
89	M91	N139	N143A		240	RIGID	None	None	RIGID	Typical
90	M92	N138	N142A		240	RIGID	None	None	RIGID	Typical
91	M93	N160	N138			Grating Support	Beam	Single Angle	A36 Gr.36	Typical
92	M94	N139	N162			Grating Support	Beam	Single Angle	A36 Gr.36	Typical
93	M95	N162	N163		240	RIGID	None	None	RIGID	Typical
94	M96	N145A	N140			RIGID	None	None	RIGID	Typical
95	M97	N140	N146			RIGID	None	None	RIGID	Typical
96	M98	N144A	N148			Cross Arm Plate	Column	RECT	A36 Gr.36	Typical
97	M99	N148	N149			Cross Arm Plate	Column	RECT	A36 Gr.36	Typical
98	M100	N149	N153			RIGID	None	None	RIGID	Typical
99	M101A	N156	N150			Corner Plate	Beam	BAR	A36 Gr.36	Typical
100	M102A	N150	N157			RIGID	None	None	RIGID	Typical
101	M103	N137	N147			Cross Arm Plate	Column	RECT	A36 Gr.36	Typical
102	M104	N147	N151			Cross Arm Plate	Column	RECT	A36 Gr.36	Typical
103	M105	N151	N154			RIGID	None	None	RIGID	Typical
104	M106	N155	N152			Corner Plate	Beam	BAR	A36 Gr.36	Typical
105	M107	N152	N158			RIGID	None	None	RIGID	Typical
106	M108	N163	N159			RIGID	None	None	RIGID	Typical
107	M109	N159	N161			RIGID	None	None	RIGID	Typical
108	M110	N160	N161		240	RIGID	None	None	RIGID	Typical
109	M111	N164	N165			Face Horizontal	Beam	Pipe	A53 Gr.B	Typical

Member Primary Data (Continued)

	Label	I Joint	J Joint	K Joint	Rotate(deg)	Section/Shape	Type	Design List	Material	Design Rules
110	M112	N166	N167			RIGID	None	None	RIGID	Typical
111	MP1B	N168	N169			Mount Pipe	Column	Pipe	A53 Gr.B	Typical
112	M114	N170	N171			RIGID	None	None	RIGID	Typical
113	MP3B	N172	N173			Mount Pipe	Column	Pipe	A53 Gr.B	Typical
114	M116	N174	N175			RIGID	None	None	RIGID	Typical
115	MP4B	N176	N177			Mount Pipe	Column	Pipe	A53 Gr.B	Typical
116	M118	N178	N179			RIGID	None	None	RIGID	Typical
117	MP5B	N180	N181			Mount Pipe	Column	Pipe	A53 Gr.B	Typical
118	M120	N182	N183			RIGID	None	None	RIGID	Typical
119	OVP2	N184	N185			Mount Pipe	Column	Pipe	A53 Gr.B	Typical
120	M122	N188	N189			RIGID	None	None	RIGID	Typical
121	M123	N190	N191			RIGID	None	None	RIGID	Typical
122	M124	N192	N193			RIGID	None	None	RIGID	Typical
123	M125	N194	N195			RIGID	None	None	RIGID	Typical
124	M126	N186	N187			Support Rail	Column	Pipe	A53 Gr.B	Typical
125	M127	N196	N197			RIGID	None	None	RIGID	Typical
126	MP2B	N198	N199			Mount Pipe	Column	Pipe	A53 Gr.B	Typical
127	M129	N200	N201			RIGID	None	None	RIGID	Typical
128	M130	N200A	N201A			RIGID	None	None	RIGID	Typical
129	M131	N202	N203			RIGID	None	None	RIGID	Typical
130	M132	N204	N205			RIGID	None	None	RIGID	Typical
131	M133	N206	N207			RIGID	None	None	RIGID	Typical
132	M134	N208	N209			RIGID	None	None	RIGID	Typical
133	M135	N210	N211			RIGID	None	None	RIGID	Typical
134	M136	N209	N207		180	Support Rail C..	Column	Single Angle	A36 Gr.36	Typical
135	M137	N201A	N211		180	Support Rail C..	Column	Single Angle	A36 Gr.36	Typical
136	M138	N205	N203		180	Support Rail C..	Column	Single Angle	A36 Gr.36	Typical
137	M139	N212	N213			RIGID	None	None	RIGID	Typical
138	M140	N213	N214			Kicker	Column	Double Angle (...)	A36 Gr.36	Typical
139	M141	N215	N216			RIGID	None	None	RIGID	Typical
140	M142	N216	N217			Kicker	Column	Double Angle (...)	A36 Gr.36	Typical
141	M143	N218	N219			RIGID	None	None	RIGID	Typical
142	M144	N219	N220			Kicker	Column	Double Angle (...)	A36 Gr.36	Typical

Member Point Loads (BLC 1 : Antenna D)

	Member Label	Direction	Magnitude[lb.k-ft]	Location[ft.%]
1	MP3A	Y	-21.85	.5
2	MP3A	My	-.011	.5
3	MP3A	Mz	-.015	.5
4	MP3A	Y	-21.85	5
5	MP3A	My	-.011	5
6	MP3A	Mz	-.015	5
7	MP3B	Y	-21.85	.5
8	MP3B	My	.018	.5
9	MP3B	Mz	-.002	.5
10	MP3B	Y	-21.85	5
11	MP3B	My	.018	5
12	MP3B	Mz	-.002	5
13	MP3C	Y	-21.85	.5
14	MP3C	My	-.007	.5
15	MP3C	Mz	.017	.5
16	MP3C	Y	-21.85	5
17	MP3C	My	-.007	5
18	MP3C	Mz	.017	5
19	MP3A	Y	-32.3	.5
20	MP3A	My	-.016	.5
21	MP3A	Mz	.022	.5

Member Point Loads (BLC 1 : Antenna D) (Continued)

	Member Label	Direction	Magnitude[lb.k-ft]	Location[ft,%]
22	MP3A	Y	-32.3	5
23	MP3A	My	-0.16	5
24	MP3A	Mz	.022	5
25	MP3B	Y	-32.3	.5
26	MP3B	My	-.011	.5
27	MP3B	Mz	-.025	.5
28	MP3B	Y	-32.3	5
29	MP3B	My	-.011	5
30	MP3B	Mz	-.025	5
31	MP3C	Y	-32.3	.5
32	MP3C	My	.027	.5
33	MP3C	Mz	.003	.5
34	MP3C	Y	-32.3	5
35	MP3C	My	.027	5
36	MP3C	Mz	.003	5
37	MP5A	Y	-43.55	1.75
38	MP5A	My	-.022	1.75
39	MP5A	Mz	0	1.75
40	MP5A	Y	-43.55	3.75
41	MP5A	My	-.022	3.75
42	MP5A	Mz	0	3.75
43	MP5B	Y	-43.55	1.75
44	MP5B	My	.011	1.75
45	MP5B	Mz	-.019	1.75
46	MP5B	Y	-43.55	3.75
47	MP5B	My	.011	3.75
48	MP5B	Mz	-.019	3.75
49	MP5C	Y	-43.55	1.75
50	MP5C	My	.011	1.75
51	MP5C	Mz	.019	1.75
52	MP5C	Y	-43.55	3.75
53	MP5C	My	.011	3.75
54	MP5C	Mz	.019	3.75
55	MP4A	Y	-84.4	2
56	MP4A	My	.042	2
57	MP4A	Mz	0	2
58	MP4B	Y	-84.4	2
59	MP4B	My	-.021	2
60	MP4B	Mz	.037	2
61	MP4C	Y	-84.4	2
62	MP4C	My	-.021	2
63	MP4C	Mz	-.037	2
64	MP2A	Y	-70.3	2
65	MP2A	My	.035	2
66	MP2A	Mz	0	2
67	MP2B	Y	-70.3	2
68	MP2B	My	-.018	2
69	MP2B	Mz	.03	2
70	MP2C	Y	-70.3	2
71	MP2C	My	-.018	2
72	MP2C	Mz	-.03	2
73	MP3A	Y	-18.7	2
74	MP3A	My	.009	2
75	MP3A	Mz	0	2
76	MP3B	Y	-18.7	2
77	MP3B	My	-.005	2
78	MP3B	Mz	.008	2
79	MP3C	Y	-18.7	2
80	MP3C	My	-.005	2

Member Point Loads (BLC 1 : Antenna D) (Continued)

	Member Label	Direction	Magnitude[lb.k-ft]	Location[ft.%]
81	MP3C	Mz	-.008	2
82	OVP1	Y	-32	1
83	OVP1	My	0	1
84	OVP1	Mz	0	1
85	MP1A	Y	-13.5	.5
86	MP1A	My	-.007	.5
87	MP1A	Mz	0	.5
88	MP1A	Y	-13.5	5
89	MP1A	My	-.007	5
90	MP1A	Mz	0	5
91	MP1B	Y	-13.5	.5
92	MP1B	My	.003	.5
93	MP1B	Mz	-.006	.5
94	MP1B	Y	-13.5	5
95	MP1B	My	.003	5
96	MP1B	Mz	-.006	5
97	MP1C	Y	-13.5	.5
98	MP1C	My	.003	.5
99	MP1C	Mz	.006	.5
100	MP1C	Y	-13.5	5
101	MP1C	My	.003	5
102	MP1C	Mz	.006	5
103	OVP2	Y	-32	1
104	OVP2	My	0	1
105	OVP2	Mz	0	1

Member Point Loads (BLC 2 : Antenna Di)

	Member Label	Direction	Magnitude[lb.k-ft]	Location[ft.%]
1	MP3A	Y	-90.14	.5
2	MP3A	My	-.045	.5
3	MP3A	Mz	-.06	.5
4	MP3A	Y	-90.14	5
5	MP3A	My	-.045	5
6	MP3A	Mz	-.06	5
7	MP3B	Y	-90.14	.5
8	MP3B	My	.075	.5
9	MP3B	Mz	-.009	.5
10	MP3B	Y	-90.14	5
11	MP3B	My	.075	5
12	MP3B	Mz	-.009	5
13	MP3C	Y	-90.14	.5
14	MP3C	My	-.03	.5
15	MP3C	Mz	.069	.5
16	MP3C	Y	-90.14	5
17	MP3C	My	-.03	5
18	MP3C	Mz	.069	5
19	MP3A	Y	-90.14	.5
20	MP3A	My	-.045	.5
21	MP3A	Mz	.06	.5
22	MP3A	Y	-90.14	5
23	MP3A	My	-.045	5
24	MP3A	Mz	.06	5
25	MP3B	Y	-90.14	.5
26	MP3B	My	-.03	.5
27	MP3B	Mz	-.069	.5
28	MP3B	Y	-90.14	5
29	MP3B	My	-.03	5
30	MP3B	Mz	-.069	5

Member Point Loads (BLC 2 : Antenna Di) (Continued)

	Member Label	Direction	Magnitude[lb.k-ft]	Location[ft,%]
31	MP3C	Y	-90.14	.5
32	MP3C	My	.075	.5
33	MP3C	Mz	.009	.5
34	MP3C	Y	-90.14	5
35	MP3C	My	.075	5
36	MP3C	Mz	.009	5
37	MP5A	Y	-53.174	1.75
38	MP5A	My	-.027	1.75
39	MP5A	Mz	0	1.75
40	MP5A	Y	-53.174	3.75
41	MP5A	My	-.027	3.75
42	MP5A	Mz	0	3.75
43	MP5B	Y	-53.174	1.75
44	MP5B	My	.013	1.75
45	MP5B	Mz	-.023	1.75
46	MP5B	Y	-53.174	3.75
47	MP5B	My	.013	3.75
48	MP5B	Mz	-.023	3.75
49	MP5C	Y	-53.174	1.75
50	MP5C	My	.013	1.75
51	MP5C	Mz	.023	1.75
52	MP5C	Y	-53.174	3.75
53	MP5C	My	.013	3.75
54	MP5C	Mz	.023	3.75
55	MP4A	Y	-67.5	2
56	MP4A	My	.034	2
57	MP4A	Mz	0	2
58	MP4B	Y	-67.5	2
59	MP4B	My	-.017	2
60	MP4B	Mz	.029	2
61	MP4C	Y	-67.5	2
62	MP4C	My	-.017	2
63	MP4C	Mz	-.029	2
64	MP2A	Y	-60.908	2
65	MP2A	My	.03	2
66	MP2A	Mz	0	2
67	MP2B	Y	-60.908	2
68	MP2B	My	-.015	2
69	MP2B	Mz	.026	2
70	MP2C	Y	-60.908	2
71	MP2C	My	-.015	2
72	MP2C	Mz	-.026	2
73	MP3A	Y	-30.732	2
74	MP3A	My	.015	2
75	MP3A	Mz	0	2
76	MP3B	Y	-30.732	2
77	MP3B	My	-.008	2
78	MP3B	Mz	.013	2
79	MP3C	Y	-30.732	2
80	MP3C	My	-.008	2
81	MP3C	Mz	-.013	2
82	OVP1	Y	-130.258	1
83	OVP1	My	0	1
84	OVP1	Mz	0	1
85	MP1A	Y	-130.443	.5
86	MP1A	My	-.065	.5
87	MP1A	Mz	0	.5
88	MP1A	Y	-130.443	5
89	MP1A	My	-.065	5

Member Point Loads (BLC 2 : Antenna Di) (Continued)

	Member Label	Direction	Magnitude[lb.k-ft]	Location[ft,%]
90	MP1A	Mz	0	5
91	MP1B	Y	-130.443	.5
92	MP1B	My	.033	.5
93	MP1B	Mz	-.056	.5
94	MP1B	Y	-130.443	5
95	MP1B	My	.033	5
96	MP1B	Mz	-.056	5
97	MP1C	Y	-130.443	.5
98	MP1C	My	.033	.5
99	MP1C	Mz	.056	.5
100	MP1C	Y	-130.443	5
101	MP1C	My	.033	5
102	MP1C	Mz	.056	5
103	OVP2	Y	-130.258	1
104	OVP2	My	0	1
105	OVP2	Mz	0	1

Member Point Loads (BLC 3 : Antenna Wo (0 Deg))

	Member Label	Direction	Magnitude[lb.k-ft]	Location[ft,%]
1	MP3A	X	0	.5
2	MP3A	Z	-96.412	.5
3	MP3A	Mx	.064	.5
4	MP3A	X	0	5
5	MP3A	Z	-96.412	5
6	MP3A	Mx	.064	5
7	MP3B	X	0	.5
8	MP3B	Z	-55.13	.5
9	MP3B	Mx	.005	.5
10	MP3B	X	0	5
11	MP3B	Z	-55.13	5
12	MP3B	Mx	.005	5
13	MP3C	X	0	.5
14	MP3C	Z	-55.13	.5
15	MP3C	Mx	-.042	.5
16	MP3C	X	0	5
17	MP3C	Z	-55.13	5
18	MP3C	Mx	-.042	5
19	MP3A	X	0	.5
20	MP3A	Z	-142.931	.5
21	MP3A	Mx	-.095	.5
22	MP3A	X	0	5
23	MP3A	Z	-142.931	5
24	MP3A	Mx	-.095	5
25	MP3B	X	0	.5
26	MP3B	Z	-106.865	.5
27	MP3B	Mx	.082	.5
28	MP3B	X	0	5
29	MP3B	Z	-106.865	5
30	MP3B	Mx	.082	5
31	MP3C	X	0	.5
32	MP3C	Z	-106.865	.5
33	MP3C	Mx	-.011	.5
34	MP3C	X	0	5
35	MP3C	Z	-106.865	5
36	MP3C	Mx	-.011	5
37	MP5A	X	0	1.75
38	MP5A	Z	-69.601	1.75
39	MP5A	Mx	0	1.75

Member Point Loads (BLC 3 : Antenna Wo (0 Deg)) (Continued)

	Member Label	Direction	Magnitude[lb.k-ft]	Location[ft.%]
40	MP5A	X	0	3.75
41	MP5A	Z	-69.601	3.75
42	MP5A	Mx	0	3.75
43	MP5B	X	0	1.75
44	MP5B	Z	-35.378	1.75
45	MP5B	Mx	.015	1.75
46	MP5B	X	0	3.75
47	MP5B	Z	-35.378	3.75
48	MP5B	Mx	.015	3.75
49	MP5C	X	0	1.75
50	MP5C	Z	-35.378	1.75
51	MP5C	Mx	-.015	1.75
52	MP5C	X	0	3.75
53	MP5C	Z	-35.378	3.75
54	MP5C	Mx	-.015	3.75
55	MP4A	X	0	2
56	MP4A	Z	-55.042	2
57	MP4A	Mx	0	2
58	MP4B	X	0	2
59	MP4B	Z	-41.459	2
60	MP4B	Mx	-.018	2
61	MP4C	X	0	2
62	MP4C	Z	-41.459	2
63	MP4C	Mx	.018	2
64	MP2A	X	0	2
65	MP2A	Z	-55.042	2
66	MP2A	Mx	0	2
67	MP2B	X	0	2
68	MP2B	Z	-36.398	2
69	MP2B	Mx	-.016	2
70	MP2C	X	0	2
71	MP2C	Z	-36.398	2
72	MP2C	Mx	.016	2
73	MP3A	X	0	2
74	MP3A	Z	-25.568	2
75	MP3A	Mx	0	2
76	MP3B	X	0	2
77	MP3B	Z	-15.447	2
78	MP3B	Mx	-.007	2
79	MP3C	X	0	2
80	MP3C	Z	-15.447	2
81	MP3C	Mx	.007	2
82	OVP1	X	0	1
83	OVP1	Z	-105.822	1
84	OVP1	Mx	0	1
85	MP1A	X	0	.5
86	MP1A	Z	-170.451	.5
87	MP1A	Mx	0	.5
88	MP1A	X	0	5
89	MP1A	Z	-170.451	5
90	MP1A	Mx	0	5
91	MP1B	X	0	.5
92	MP1B	Z	-156.799	.5
93	MP1B	Mx	.068	.5
94	MP1B	X	0	5
95	MP1B	Z	-156.799	5
96	MP1B	Mx	.068	5
97	MP1C	X	0	.5
98	MP1C	Z	-156.799	.5

Member Point Loads (BLC 3 : Antenna Wo (0 Deg)) (Continued)

	Member Label	Direction	Magnitude[lb.k-ft]	Location[ft.%]
99	MP1C	Mx	-.068	.5
100	MP1C	X	0	5
101	MP1C	Z	-156.799	5
102	MP1C	Mx	-.068	5
103	OVP2	X	0	1
104	OVP2	Z	-105.822	1
105	OVP2	Mx	0	1

Member Point Loads (BLC 4 : Antenna Wo (30 Deg))

	Member Label	Direction	Magnitude[lb.k-ft]	Location[ft.%]
1	MP3A	X	41.326	.5
2	MP3A	Z	-71.578	.5
3	MP3A	Mx	.027	.5
4	MP3A	X	41.326	5
5	MP3A	Z	-71.578	5
6	MP3A	Mx	.027	5
7	MP3B	X	20.685	.5
8	MP3B	Z	-35.827	.5
9	MP3B	Mx	.021	.5
10	MP3B	X	20.685	5
11	MP3B	Z	-35.827	5
12	MP3B	Mx	.021	5
13	MP3C	X	41.326	.5
14	MP3C	Z	-71.578	.5
15	MP3C	Mx	-.068	.5
16	MP3C	X	41.326	5
17	MP3C	Z	-71.578	5
18	MP3C	Mx	-.068	5
19	MP3A	X	65.454	.5
20	MP3A	Z	-113.37	.5
21	MP3A	Mx	-.108	.5
22	MP3A	X	65.454	5
23	MP3A	Z	-113.37	5
24	MP3A	Mx	-.108	5
25	MP3B	X	47.422	.5
26	MP3B	Z	-82.137	.5
27	MP3B	Mx	.047	.5
28	MP3B	X	47.422	5
29	MP3B	Z	-82.137	5
30	MP3B	Mx	.047	5
31	MP3C	X	65.454	.5
32	MP3C	Z	-113.37	.5
33	MP3C	Mx	.043	.5
34	MP3C	X	65.454	5
35	MP3C	Z	-113.37	5
36	MP3C	Mx	.043	5
37	MP5A	X	29.097	1.75
38	MP5A	Z	-50.397	1.75
39	MP5A	Mx	-.015	1.75
40	MP5A	X	29.097	3.75
41	MP5A	Z	-50.397	3.75
42	MP5A	Mx	-.015	3.75
43	MP5B	X	11.985	1.75
44	MP5B	Z	-20.758	1.75
45	MP5B	Mx	.012	1.75
46	MP5B	X	11.985	3.75
47	MP5B	Z	-20.758	3.75
48	MP5B	Mx	.012	3.75

Member Point Loads (BLC 4 : Antenna Wo (30 Deg)) (Continued)

	Member Label	Direction	Magnitude[lb.k-ft]	Location[ft.%]
49	MP5C	X	29.097	1.75
50	MP5C	Z	-50.397	1.75
51	MP5C	Mx	-.015	1.75
52	MP5C	X	29.097	3.75
53	MP5C	Z	-50.397	3.75
54	MP5C	Mx	-.015	3.75
55	MP4A	X	25.257	2
56	MP4A	Z	-43.746	2
57	MP4A	Mx	.013	2
58	MP4B	X	18.466	2
59	MP4B	Z	-31.983	2
60	MP4B	Mx	-.018	2
61	MP4C	X	25.257	2
62	MP4C	Z	-43.746	2
63	MP4C	Mx	.013	2
64	MP2A	X	24.414	2
65	MP2A	Z	-42.286	2
66	MP2A	Mx	.012	2
67	MP2B	X	15.092	2
68	MP2B	Z	-26.14	2
69	MP2B	Mx	-.015	2
70	MP2C	X	24.414	2
71	MP2C	Z	-42.286	2
72	MP2C	Mx	.012	2
73	MP3A	X	11.097	2
74	MP3A	Z	-19.221	2
75	MP3A	Mx	.006	2
76	MP3B	X	6.037	2
77	MP3B	Z	-10.456	2
78	MP3B	Mx	-.006	2
79	MP3C	X	11.097	2
80	MP3C	Z	-19.221	2
81	MP3C	Mx	.006	2
82	OVP1	X	56.284	1
83	OVP1	Z	-97.488	1
84	OVP1	Mx	0	1
85	MP1A	X	82.95	.5
86	MP1A	Z	-143.674	.5
87	MP1A	Mx	-.041	.5
88	MP1A	X	82.95	5
89	MP1A	Z	-143.674	5
90	MP1A	Mx	-.041	5
91	MP1B	X	76.124	.5
92	MP1B	Z	-131.85	.5
93	MP1B	Mx	.076	.5
94	MP1B	X	76.124	5
95	MP1B	Z	-131.85	5
96	MP1B	Mx	.076	5
97	MP1C	X	82.95	.5
98	MP1C	Z	-143.674	.5
99	MP1C	Mx	-.041	.5
100	MP1C	X	82.95	5
101	MP1C	Z	-143.674	5
102	MP1C	Mx	-.041	5
103	OVP2	X	56.284	1
104	OVP2	Z	-97.488	1
105	OVP2	Mx	0	1

Member Point Loads (BLC 5 : Antenna Wo (60 Deg))

	Member Label	Direction	Magnitude[lb.k-ft]	Location[ft,%]
1	MP3A	X	47.744	.5
2	MP3A	Z	-27.565	.5
3	MP3A	Mx	-.005	.5
4	MP3A	X	47.744	5
5	MP3A	Z	-27.565	5
6	MP3A	Mx	-.005	5
7	MP3B	X	47.744	.5
8	MP3B	Z	-27.565	.5
9	MP3B	Mx	.042	.5
10	MP3B	X	47.744	5
11	MP3B	Z	-27.565	5
12	MP3B	Mx	.042	5
13	MP3C	X	83.495	.5
14	MP3C	Z	-48.206	.5
15	MP3C	Mx	-.064	.5
16	MP3C	X	83.495	5
17	MP3C	Z	-48.206	5
18	MP3C	Mx	-.064	5
19	MP3A	X	92.548	.5
20	MP3A	Z	-53.433	.5
21	MP3A	Mx	-.082	.5
22	MP3A	X	92.548	5
23	MP3A	Z	-53.433	5
24	MP3A	Mx	-.082	5
25	MP3B	X	92.548	.5
26	MP3B	Z	-53.433	.5
27	MP3B	Mx	.011	.5
28	MP3B	X	92.548	5
29	MP3B	Z	-53.433	5
30	MP3B	Mx	.011	5
31	MP3C	X	123.782	.5
32	MP3C	Z	-71.465	.5
33	MP3C	Mx	.095	.5
34	MP3C	X	123.782	5
35	MP3C	Z	-71.465	5
36	MP3C	Mx	.095	5
37	MP5A	X	30.638	1.75
38	MP5A	Z	-17.689	1.75
39	MP5A	Mx	-.015	1.75
40	MP5A	X	30.638	3.75
41	MP5A	Z	-17.689	3.75
42	MP5A	Mx	-.015	3.75
43	MP5B	X	30.638	1.75
44	MP5B	Z	-17.689	1.75
45	MP5B	Mx	.015	1.75
46	MP5B	X	30.638	3.75
47	MP5B	Z	-17.689	3.75
48	MP5B	Mx	.015	3.75
49	MP5C	X	60.276	1.75
50	MP5C	Z	-34.801	1.75
51	MP5C	Mx	0	1.75
52	MP5C	X	60.276	3.75
53	MP5C	Z	-34.801	3.75
54	MP5C	Mx	0	3.75
55	MP4A	X	35.904	2
56	MP4A	Z	-20.729	2
57	MP4A	Mx	.018	2
58	MP4B	X	35.904	2
59	MP4B	Z	-20.729	2

Member Point Loads (BLC 5 : Antenna Wo (60 Deg)) (Continued)

	Member Label	Direction	Magnitude[lb.k-ft]	Location[ft,%]
60	MP4B	Mx	-.018	2
61	MP4C	X	47.667	2
62	MP4C	Z	-27.521	2
63	MP4C	Mx	0	2
64	MP2A	X	31.522	2
65	MP2A	Z	-18.199	2
66	MP2A	Mx	.016	2
67	MP2B	X	31.522	2
68	MP2B	Z	-18.199	2
69	MP2B	Mx	-.016	2
70	MP2C	X	47.667	2
71	MP2C	Z	-27.521	2
72	MP2C	Mx	0	2
73	MP3A	X	13.378	2
74	MP3A	Z	-7.724	2
75	MP3A	Mx	.007	2
76	MP3B	X	13.378	2
77	MP3B	Z	-7.724	2
78	MP3B	Mx	-.007	2
79	MP3C	X	22.142	2
80	MP3C	Z	-12.784	2
81	MP3C	Mx	0	2
82	OVP1	X	91.644	1
83	OVP1	Z	-52.911	1
84	OVP1	Mx	0	1
85	MP1A	X	135.792	.5
86	MP1A	Z	-78.399	.5
87	MP1A	Mx	-.068	.5
88	MP1A	X	135.792	5
89	MP1A	Z	-78.399	5
90	MP1A	Mx	-.068	5
91	MP1B	X	135.792	.5
92	MP1B	Z	-78.399	.5
93	MP1B	Mx	.068	.5
94	MP1B	X	135.792	5
95	MP1B	Z	-78.399	5
96	MP1B	Mx	.068	5
97	MP1C	X	147.615	.5
98	MP1C	Z	-85.226	.5
99	MP1C	Mx	0	.5
100	MP1C	X	147.615	5
101	MP1C	Z	-85.226	5
102	MP1C	Mx	0	5
103	OVP2	X	91.644	1
104	OVP2	Z	-52.911	1
105	OVP2	Mx	0	1

Member Point Loads (BLC 6 : Antenna Wo (90 Deg))

	Member Label	Direction	Magnitude[lb.k-ft]	Location[ft,%]
1	MP3A	X	41.37	.5
2	MP3A	Z	0	.5
3	MP3A	Mx	-.021	.5
4	MP3A	X	41.37	5
5	MP3A	Z	0	5
6	MP3A	Mx	-.021	5
7	MP3B	X	82.651	.5
8	MP3B	Z	0	.5
9	MP3B	Mx	.068	.5

Member Point Loads (BLC 6 : Antenna Wo (90 Deg)) (Continued)

	Member Label	Direction	Magnitude[lb.k-ft]	Location[ft.%]
10	MP3B	X	82.651	5
11	MP3B	Z	0	5
12	MP3B	Mx	.068	5
13	MP3C	X	82.651	.5
14	MP3C	Z	0	.5
15	MP3C	Mx	-.027	.5
16	MP3C	X	82.651	5
17	MP3C	Z	0	5
18	MP3C	Mx	-.027	5
19	MP3A	X	94.843	.5
20	MP3A	Z	0	.5
21	MP3A	Mx	-.047	.5
22	MP3A	X	94.843	5
23	MP3A	Z	0	5
24	MP3A	Mx	-.047	5
25	MP3B	X	130.909	.5
26	MP3B	Z	0	.5
27	MP3B	Mx	-.043	.5
28	MP3B	X	130.909	5
29	MP3B	Z	0	5
30	MP3B	Mx	-.043	5
31	MP3C	X	130.909	.5
32	MP3C	Z	0	.5
33	MP3C	Mx	.108	.5
34	MP3C	X	130.909	5
35	MP3C	Z	0	5
36	MP3C	Mx	.108	5
37	MP5A	X	23.97	1.75
38	MP5A	Z	0	1.75
39	MP5A	Mx	-.012	1.75
40	MP5A	X	23.97	3.75
41	MP5A	Z	0	3.75
42	MP5A	Mx	-.012	3.75
43	MP5B	X	58.193	1.75
44	MP5B	Z	0	1.75
45	MP5B	Mx	.015	1.75
46	MP5B	X	58.193	3.75
47	MP5B	Z	0	3.75
48	MP5B	Mx	.015	3.75
49	MP5C	X	58.193	1.75
50	MP5C	Z	0	1.75
51	MP5C	Mx	.015	1.75
52	MP5C	X	58.193	3.75
53	MP5C	Z	0	3.75
54	MP5C	Mx	.015	3.75
55	MP4A	X	36.931	2
56	MP4A	Z	0	2
57	MP4A	Mx	.018	2
58	MP4B	X	50.514	2
59	MP4B	Z	0	2
60	MP4B	Mx	-.013	2
61	MP4C	X	50.514	2
62	MP4C	Z	0	2
63	MP4C	Mx	-.013	2
64	MP2A	X	30.184	2
65	MP2A	Z	0	2
66	MP2A	Mx	.015	2
67	MP2B	X	48.827	2
68	MP2B	Z	0	2

Member Point Loads (BLC 6 : Antenna Wo (90 Deg)) (Continued)

	Member Label	Direction	Magnitude[lb.k-ft]	Location[ft.%]
69	MP2B	Mx	-.012	2
70	MP2C	X	48.827	2
71	MP2C	Z	0	2
72	MP2C	Mx	-.012	2
73	MP3A	X	12.074	2
74	MP3A	Z	0	2
75	MP3A	Mx	.006	2
76	MP3B	X	22.194	2
77	MP3B	Z	0	2
78	MP3B	Mx	-.006	2
79	MP3C	X	22.194	2
80	MP3C	Z	0	2
81	MP3C	Mx	-.006	2
82	OVP1	X	92.328	1
83	OVP1	Z	0	1
84	OVP1	Mx	0	1
85	MP1A	X	152.248	.5
86	MP1A	Z	0	.5
87	MP1A	Mx	-.076	.5
88	MP1A	X	152.248	5
89	MP1A	Z	0	5
90	MP1A	Mx	-.076	5
91	MP1B	X	165.9	.5
92	MP1B	Z	0	.5
93	MP1B	Mx	.041	.5
94	MP1B	X	165.9	5
95	MP1B	Z	0	5
96	MP1B	Mx	.041	5
97	MP1C	X	165.9	.5
98	MP1C	Z	0	.5
99	MP1C	Mx	.041	.5
100	MP1C	X	165.9	5
101	MP1C	Z	0	5
102	MP1C	Mx	.041	5
103	OVP2	X	92.328	1
104	OVP2	Z	0	1
105	OVP2	Mx	0	1

Member Point Loads (BLC 7 : Antenna Wo (120 Deg))

	Member Label	Direction	Magnitude[lb.k-ft]	Location[ft.%]
1	MP3A	X	47.744	.5
2	MP3A	Z	27.565	.5
3	MP3A	Mx	-.042	.5
4	MP3A	X	47.744	5
5	MP3A	Z	27.565	5
6	MP3A	Mx	-.042	5
7	MP3B	X	83.495	.5
8	MP3B	Z	48.206	.5
9	MP3B	Mx	.064	.5
10	MP3B	X	83.495	5
11	MP3B	Z	48.206	5
12	MP3B	Mx	.064	5
13	MP3C	X	47.744	.5
14	MP3C	Z	27.565	.5
15	MP3C	Mx	.005	.5
16	MP3C	X	47.744	5
17	MP3C	Z	27.565	5
18	MP3C	Mx	.005	5

Member Point Loads (BLC 7 : Antenna Wo (120 Deg)) (Continued)

	Member Label	Direction	Magnitude[lb.k-ft]	Location[ft.%]
19	MP3A	X	92.548	.5
20	MP3A	Z	53.433	.5
21	MP3A	Mx	-.011	.5
22	MP3A	X	92.548	5
23	MP3A	Z	53.433	5
24	MP3A	Mx	-.011	5
25	MP3B	X	123.782	.5
26	MP3B	Z	71.465	.5
27	MP3B	Mx	-.095	.5
28	MP3B	X	123.782	5
29	MP3B	Z	71.465	5
30	MP3B	Mx	-.095	5
31	MP3C	X	92.548	.5
32	MP3C	Z	53.433	.5
33	MP3C	Mx	.082	.5
34	MP3C	X	92.548	5
35	MP3C	Z	53.433	5
36	MP3C	Mx	.082	5
37	MP5A	X	30.638	1.75
38	MP5A	Z	17.689	1.75
39	MP5A	Mx	-.015	1.75
40	MP5A	X	30.638	3.75
41	MP5A	Z	17.689	3.75
42	MP5A	Mx	-.015	3.75
43	MP5B	X	60.276	1.75
44	MP5B	Z	34.801	1.75
45	MP5B	Mx	0	1.75
46	MP5B	X	60.276	3.75
47	MP5B	Z	34.801	3.75
48	MP5B	Mx	0	3.75
49	MP5C	X	30.638	1.75
50	MP5C	Z	17.689	1.75
51	MP5C	Mx	.015	1.75
52	MP5C	X	30.638	3.75
53	MP5C	Z	17.689	3.75
54	MP5C	Mx	.015	3.75
55	MP4A	X	35.904	2
56	MP4A	Z	20.729	2
57	MP4A	Mx	.018	2
58	MP4B	X	47.667	2
59	MP4B	Z	27.521	2
60	MP4B	Mx	0	2
61	MP4C	X	35.904	2
62	MP4C	Z	20.729	2
63	MP4C	Mx	-.018	2
64	MP2A	X	31.522	2
65	MP2A	Z	18.199	2
66	MP2A	Mx	.016	2
67	MP2B	X	47.667	2
68	MP2B	Z	27.521	2
69	MP2B	Mx	0	2
70	MP2C	X	31.522	2
71	MP2C	Z	18.199	2
72	MP2C	Mx	-.016	2
73	MP3A	X	13.378	2
74	MP3A	Z	7.724	2
75	MP3A	Mx	.007	2
76	MP3B	X	22.142	2
77	MP3B	Z	12.784	2

Member Point Loads (BLC 7 : Antenna Wo (120 Deg)) (Continued)

	Member Label	Direction	Magnitude[lb.k-ft]	Location[ft,%]
78	MP3B	Mx	0	2
79	MP3C	X	13.378	2
80	MP3C	Z	7.724	2
81	MP3C	Mx	-.007	2
82	OVP1	X	74.115	1
83	OVP1	Z	42.79	1
84	OVP1	Mx	0	1
85	MP1A	X	135.792	.5
86	MP1A	Z	78.399	.5
87	MP1A	Mx	-.068	.5
88	MP1A	X	135.792	5
89	MP1A	Z	78.399	5
90	MP1A	Mx	-.068	5
91	MP1B	X	147.615	.5
92	MP1B	Z	85.226	.5
93	MP1B	Mx	0	.5
94	MP1B	X	147.615	5
95	MP1B	Z	85.226	5
96	MP1B	Mx	0	5
97	MP1C	X	135.792	.5
98	MP1C	Z	78.399	.5
99	MP1C	Mx	.068	.5
100	MP1C	X	135.792	5
101	MP1C	Z	78.399	5
102	MP1C	Mx	.068	5
103	OVP2	X	74.115	1
104	OVP2	Z	42.79	1
105	OVP2	Mx	0	1

Member Point Loads (BLC 8 : Antenna Wo (150 Deg))

	Member Label	Direction	Magnitude[lb.k-ft]	Location[ft,%]
1	MP3A	X	41.326	.5
2	MP3A	Z	71.578	.5
3	MP3A	Mx	-.068	.5
4	MP3A	X	41.326	5
5	MP3A	Z	71.578	5
6	MP3A	Mx	-.068	5
7	MP3B	X	41.326	.5
8	MP3B	Z	71.578	.5
9	MP3B	Mx	.027	.5
10	MP3B	X	41.326	5
11	MP3B	Z	71.578	5
12	MP3B	Mx	.027	5
13	MP3C	X	20.685	.5
14	MP3C	Z	35.827	.5
15	MP3C	Mx	.021	.5
16	MP3C	X	20.685	5
17	MP3C	Z	35.827	5
18	MP3C	Mx	.021	5
19	MP3A	X	65.454	.5
20	MP3A	Z	113.37	.5
21	MP3A	Mx	.043	.5
22	MP3A	X	65.454	5
23	MP3A	Z	113.37	5
24	MP3A	Mx	.043	5
25	MP3B	X	65.454	.5
26	MP3B	Z	113.37	.5
27	MP3B	Mx	-.108	.5

Member Point Loads (BLC 8 : Antenna Wo (150 Deg)) (Continued)

	Member Label	Direction	Magnitude[lb.k-ft]	Location[ft,%]
28	MP3B	X	65.454	5
29	MP3B	Z	113.37	5
30	MP3B	Mx	-.108	5
31	MP3C	X	47.422	.5
32	MP3C	Z	82.137	.5
33	MP3C	Mx	.047	.5
34	MP3C	X	47.422	5
35	MP3C	Z	82.137	5
36	MP3C	Mx	.047	5
37	MP5A	X	29.097	1.75
38	MP5A	Z	50.397	1.75
39	MP5A	Mx	-.015	1.75
40	MP5A	X	29.097	3.75
41	MP5A	Z	50.397	3.75
42	MP5A	Mx	-.015	3.75
43	MP5B	X	29.097	1.75
44	MP5B	Z	50.397	1.75
45	MP5B	Mx	-.015	1.75
46	MP5B	X	29.097	3.75
47	MP5B	Z	50.397	3.75
48	MP5B	Mx	-.015	3.75
49	MP5C	X	11.985	1.75
50	MP5C	Z	20.758	1.75
51	MP5C	Mx	.012	1.75
52	MP5C	X	11.985	3.75
53	MP5C	Z	20.758	3.75
54	MP5C	Mx	.012	3.75
55	MP4A	X	25.257	2
56	MP4A	Z	43.746	2
57	MP4A	Mx	.013	2
58	MP4B	X	25.257	2
59	MP4B	Z	43.746	2
60	MP4B	Mx	.013	2
61	MP4C	X	18.466	2
62	MP4C	Z	31.983	2
63	MP4C	Mx	-.018	2
64	MP2A	X	24.414	2
65	MP2A	Z	42.286	2
66	MP2A	Mx	.012	2
67	MP2B	X	24.414	2
68	MP2B	Z	42.286	2
69	MP2B	Mx	.012	2
70	MP2C	X	15.092	2
71	MP2C	Z	26.14	2
72	MP2C	Mx	-.015	2
73	MP3A	X	11.097	2
74	MP3A	Z	19.221	2
75	MP3A	Mx	.006	2
76	MP3B	X	11.097	2
77	MP3B	Z	19.221	2
78	MP3B	Mx	.006	2
79	MP3C	X	6.037	2
80	MP3C	Z	10.456	2
81	MP3C	Mx	-.006	2
82	OVP1	X	46.164	1
83	OVP1	Z	79.958	1
84	OVP1	Mx	0	1
85	MP1A	X	82.95	.5
86	MP1A	Z	143.674	.5

Member Point Loads (BLC 8 : Antenna Wo (150 Deg)) (Continued)

	Member Label	Direction	Magnitude[lb.k-ft]	Location[ft.%]
87	MP1A	Mx	-.041	.5
88	MP1A	X	82.95	5
89	MP1A	Z	143.674	5
90	MP1A	Mx	-.041	5
91	MP1B	X	82.95	.5
92	MP1B	Z	143.674	.5
93	MP1B	Mx	-.041	.5
94	MP1B	X	82.95	5
95	MP1B	Z	143.674	5
96	MP1B	Mx	-.041	5
97	MP1C	X	76.124	.5
98	MP1C	Z	131.85	.5
99	MP1C	Mx	.076	.5
100	MP1C	X	76.124	5
101	MP1C	Z	131.85	5
102	MP1C	Mx	.076	5
103	OVP2	X	46.164	1
104	OVP2	Z	79.958	1
105	OVP2	Mx	0	1

Member Point Loads (BLC 9 : Antenna Wo (180 Deg))

	Member Label	Direction	Magnitude[lb.k-ft]	Location[ft.%]
1	MP3A	X	0	.5
2	MP3A	Z	96.412	.5
3	MP3A	Mx	-.064	.5
4	MP3A	X	0	5
5	MP3A	Z	96.412	5
6	MP3A	Mx	-.064	5
7	MP3B	X	0	.5
8	MP3B	Z	55.13	.5
9	MP3B	Mx	-.005	.5
10	MP3B	X	0	5
11	MP3B	Z	55.13	5
12	MP3B	Mx	-.005	5
13	MP3C	X	0	.5
14	MP3C	Z	55.13	.5
15	MP3C	Mx	.042	.5
16	MP3C	X	0	5
17	MP3C	Z	55.13	5
18	MP3C	Mx	.042	5
19	MP3A	X	0	.5
20	MP3A	Z	142.931	.5
21	MP3A	Mx	.095	.5
22	MP3A	X	0	5
23	MP3A	Z	142.931	5
24	MP3A	Mx	.095	5
25	MP3B	X	0	.5
26	MP3B	Z	106.865	.5
27	MP3B	Mx	-.082	.5
28	MP3B	X	0	5
29	MP3B	Z	106.865	5
30	MP3B	Mx	-.082	5
31	MP3C	X	0	.5
32	MP3C	Z	106.865	.5
33	MP3C	Mx	.011	.5
34	MP3C	X	0	5
35	MP3C	Z	106.865	5
36	MP3C	Mx	.011	5

Member Point Loads (BLC 9 : Antenna Wo (180 Deg)) (Continued)

	Member Label	Direction	Magnitude[lb.k-ft]	Location[ft,%]
37	MP5A	X	0	1.75
38	MP5A	Z	69.601	1.75
39	MP5A	Mx	0	1.75
40	MP5A	X	0	3.75
41	MP5A	Z	69.601	3.75
42	MP5A	Mx	0	3.75
43	MP5B	X	0	1.75
44	MP5B	Z	35.378	1.75
45	MP5B	Mx	-.015	1.75
46	MP5B	X	0	3.75
47	MP5B	Z	35.378	3.75
48	MP5B	Mx	-.015	3.75
49	MP5C	X	0	1.75
50	MP5C	Z	35.378	1.75
51	MP5C	Mx	.015	1.75
52	MP5C	X	0	3.75
53	MP5C	Z	35.378	3.75
54	MP5C	Mx	.015	3.75
55	MP4A	X	0	2
56	MP4A	Z	55.042	2
57	MP4A	Mx	0	2
58	MP4B	X	0	2
59	MP4B	Z	41.459	2
60	MP4B	Mx	.018	2
61	MP4C	X	0	2
62	MP4C	Z	41.459	2
63	MP4C	Mx	-.018	2
64	MP2A	X	0	2
65	MP2A	Z	55.042	2
66	MP2A	Mx	0	2
67	MP2B	X	0	2
68	MP2B	Z	36.398	2
69	MP2B	Mx	.016	2
70	MP2C	X	0	2
71	MP2C	Z	36.398	2
72	MP2C	Mx	-.016	2
73	MP3A	X	0	2
74	MP3A	Z	25.568	2
75	MP3A	Mx	0	2
76	MP3B	X	0	2
77	MP3B	Z	15.447	2
78	MP3B	Mx	.007	2
79	MP3C	X	0	2
80	MP3C	Z	15.447	2
81	MP3C	Mx	-.007	2
82	OVP1	X	0	1
83	OVP1	Z	105.822	1
84	OVP1	Mx	0	1
85	MP1A	X	0	.5
86	MP1A	Z	170.451	.5
87	MP1A	Mx	0	.5
88	MP1A	X	0	5
89	MP1A	Z	170.451	5
90	MP1A	Mx	0	5
91	MP1B	X	0	.5
92	MP1B	Z	156.799	.5
93	MP1B	Mx	-.068	.5
94	MP1B	X	0	5
95	MP1B	Z	156.799	5

Member Point Loads (BLC 9 : Antenna Wo (180 Deg)) (Continued)

	Member Label	Direction	Magnitude[lb.k-ft]	Location[ft.%]
96	MP1B	Mx	-.068	5
97	MP1C	X	0	.5
98	MP1C	Z	156.799	.5
99	MP1C	Mx	.068	.5
100	MP1C	X	0	5
101	MP1C	Z	156.799	5
102	MP1C	Mx	.068	5
103	OVP2	X	0	1
104	OVP2	Z	105.822	1
105	OVP2	Mx	0	1

Member Point Loads (BLC 10 : Antenna Wo (210 Deg))

	Member Label	Direction	Magnitude[lb.k-ft]	Location[ft.%]
1	MP3A	X	-41.326	.5
2	MP3A	Z	71.578	.5
3	MP3A	Mx	-.027	.5
4	MP3A	X	-41.326	5
5	MP3A	Z	71.578	5
6	MP3A	Mx	-.027	5
7	MP3B	X	-20.685	.5
8	MP3B	Z	35.827	.5
9	MP3B	Mx	-.021	.5
10	MP3B	X	-20.685	5
11	MP3B	Z	35.827	5
12	MP3B	Mx	-.021	5
13	MP3C	X	-41.326	.5
14	MP3C	Z	71.578	.5
15	MP3C	Mx	.068	.5
16	MP3C	X	-41.326	5
17	MP3C	Z	71.578	5
18	MP3C	Mx	.068	5
19	MP3A	X	-65.454	.5
20	MP3A	Z	113.37	.5
21	MP3A	Mx	.108	.5
22	MP3A	X	-65.454	5
23	MP3A	Z	113.37	5
24	MP3A	Mx	.108	5
25	MP3B	X	-47.422	.5
26	MP3B	Z	82.137	.5
27	MP3B	Mx	-.047	.5
28	MP3B	X	-47.422	5
29	MP3B	Z	82.137	5
30	MP3B	Mx	-.047	5
31	MP3C	X	-65.454	.5
32	MP3C	Z	113.37	.5
33	MP3C	Mx	-.043	.5
34	MP3C	X	-65.454	5
35	MP3C	Z	113.37	5
36	MP3C	Mx	-.043	5
37	MP5A	X	-29.097	1.75
38	MP5A	Z	50.397	1.75
39	MP5A	Mx	.015	1.75
40	MP5A	X	-29.097	3.75
41	MP5A	Z	50.397	3.75
42	MP5A	Mx	.015	3.75
43	MP5B	X	-11.985	1.75
44	MP5B	Z	20.758	1.75
45	MP5B	Mx	-.012	1.75

Member Point Loads (BLC 10 : Antenna Wo (210 Deg)) (Continued)

	Member Label	Direction	Magnitude[lb.k-ft]	Location[ft.%]
46	MP5B	X	-11.985	3.75
47	MP5B	Z	20.758	3.75
48	MP5B	Mx	-.012	3.75
49	MP5C	X	-29.097	1.75
50	MP5C	Z	50.397	1.75
51	MP5C	Mx	.015	1.75
52	MP5C	X	-29.097	3.75
53	MP5C	Z	50.397	3.75
54	MP5C	Mx	.015	3.75
55	MP4A	X	-25.257	2
56	MP4A	Z	43.746	2
57	MP4A	Mx	-.013	2
58	MP4B	X	-18.466	2
59	MP4B	Z	31.983	2
60	MP4B	Mx	.018	2
61	MP4C	X	-25.257	2
62	MP4C	Z	43.746	2
63	MP4C	Mx	-.013	2
64	MP2A	X	-24.414	2
65	MP2A	Z	42.286	2
66	MP2A	Mx	-.012	2
67	MP2B	X	-15.092	2
68	MP2B	Z	26.14	2
69	MP2B	Mx	.015	2
70	MP2C	X	-24.414	2
71	MP2C	Z	42.286	2
72	MP2C	Mx	-.012	2
73	MP3A	X	-11.097	2
74	MP3A	Z	19.221	2
75	MP3A	Mx	-.006	2
76	MP3B	X	-6.037	2
77	MP3B	Z	10.456	2
78	MP3B	Mx	.006	2
79	MP3C	X	-11.097	2
80	MP3C	Z	19.221	2
81	MP3C	Mx	-.006	2
82	OVP1	X	-56.284	1
83	OVP1	Z	97.488	1
84	OVP1	Mx	0	1
85	MP1A	X	-82.95	.5
86	MP1A	Z	143.674	.5
87	MP1A	Mx	.041	.5
88	MP1A	X	-82.95	5
89	MP1A	Z	143.674	5
90	MP1A	Mx	.041	5
91	MP1B	X	-76.124	.5
92	MP1B	Z	131.85	.5
93	MP1B	Mx	-.076	.5
94	MP1B	X	-76.124	5
95	MP1B	Z	131.85	5
96	MP1B	Mx	-.076	5
97	MP1C	X	-82.95	.5
98	MP1C	Z	143.674	.5
99	MP1C	Mx	.041	.5
100	MP1C	X	-82.95	5
101	MP1C	Z	143.674	5
102	MP1C	Mx	.041	5
103	OVP2	X	-56.284	1
104	OVP2	Z	97.488	1

Member Point Loads (BLC 10 : Antenna Wo (210 Deg)) (Continued)

	Member Label	Direction	Magnitude[lb.k-ft]	Location[ft.%]
105	OVP2	Mx	0	1

Member Point Loads (BLC 11 : Antenna Wo (240 Deg))

	Member Label	Direction	Magnitude[lb.k-ft]	Location[ft.%]
1	MP3A	X	-47.744	.5
2	MP3A	Z	27.565	.5
3	MP3A	Mx	.005	.5
4	MP3A	X	-47.744	5
5	MP3A	Z	27.565	5
6	MP3A	Mx	.005	5
7	MP3B	X	-47.744	.5
8	MP3B	Z	27.565	.5
9	MP3B	Mx	-.042	.5
10	MP3B	X	-47.744	5
11	MP3B	Z	27.565	5
12	MP3B	Mx	-.042	5
13	MP3C	X	-83.495	.5
14	MP3C	Z	48.206	.5
15	MP3C	Mx	.064	.5
16	MP3C	X	-83.495	5
17	MP3C	Z	48.206	5
18	MP3C	Mx	.064	5
19	MP3A	X	-92.548	.5
20	MP3A	Z	53.433	.5
21	MP3A	Mx	.082	.5
22	MP3A	X	-92.548	5
23	MP3A	Z	53.433	5
24	MP3A	Mx	.082	5
25	MP3B	X	-92.548	.5
26	MP3B	Z	53.433	.5
27	MP3B	Mx	-.011	.5
28	MP3B	X	-92.548	5
29	MP3B	Z	53.433	5
30	MP3B	Mx	-.011	5
31	MP3C	X	-123.782	.5
32	MP3C	Z	71.465	.5
33	MP3C	Mx	-.095	.5
34	MP3C	X	-123.782	5
35	MP3C	Z	71.465	5
36	MP3C	Mx	-.095	5
37	MP5A	X	-30.638	1.75
38	MP5A	Z	17.689	1.75
39	MP5A	Mx	.015	1.75
40	MP5A	X	-30.638	3.75
41	MP5A	Z	17.689	3.75
42	MP5A	Mx	.015	3.75
43	MP5B	X	-30.638	1.75
44	MP5B	Z	17.689	1.75
45	MP5B	Mx	-.015	1.75
46	MP5B	X	-30.638	3.75
47	MP5B	Z	17.689	3.75
48	MP5B	Mx	-.015	3.75
49	MP5C	X	-60.276	1.75
50	MP5C	Z	34.801	1.75
51	MP5C	Mx	0	1.75
52	MP5C	X	-60.276	3.75
53	MP5C	Z	34.801	3.75
54	MP5C	Mx	0	3.75

Member Point Loads (BLC 11 : Antenna Wo (240 Deg)) (Continued)

	Member Label	Direction	Magnitude[lb.k-ft]	Location[ft,%]
55	MP4A	X	-35.904	2
56	MP4A	Z	20.729	2
57	MP4A	Mx	-.018	2
58	MP4B	X	-35.904	2
59	MP4B	Z	20.729	2
60	MP4B	Mx	.018	2
61	MP4C	X	-47.667	2
62	MP4C	Z	27.521	2
63	MP4C	Mx	0	2
64	MP2A	X	-31.522	2
65	MP2A	Z	18.199	2
66	MP2A	Mx	-.016	2
67	MP2B	X	-31.522	2
68	MP2B	Z	18.199	2
69	MP2B	Mx	.016	2
70	MP2C	X	-47.667	2
71	MP2C	Z	27.521	2
72	MP2C	Mx	0	2
73	MP3A	X	-13.378	2
74	MP3A	Z	7.724	2
75	MP3A	Mx	-.007	2
76	MP3B	X	-13.378	2
77	MP3B	Z	7.724	2
78	MP3B	Mx	.007	2
79	MP3C	X	-22.142	2
80	MP3C	Z	12.784	2
81	MP3C	Mx	0	2
82	OVP1	X	-91.644	1
83	OVP1	Z	52.911	1
84	OVP1	Mx	0	1
85	MP1A	X	-135.792	.5
86	MP1A	Z	78.399	.5
87	MP1A	Mx	.068	.5
88	MP1A	X	-135.792	5
89	MP1A	Z	78.399	5
90	MP1A	Mx	.068	5
91	MP1B	X	-135.792	.5
92	MP1B	Z	78.399	.5
93	MP1B	Mx	-.068	.5
94	MP1B	X	-135.792	5
95	MP1B	Z	78.399	5
96	MP1B	Mx	-.068	5
97	MP1C	X	-147.615	.5
98	MP1C	Z	85.226	.5
99	MP1C	Mx	0	.5
100	MP1C	X	-147.615	5
101	MP1C	Z	85.226	5
102	MP1C	Mx	0	5
103	OVP2	X	-91.644	1
104	OVP2	Z	52.911	1
105	OVP2	Mx	0	1

Member Point Loads (BLC 12 : Antenna Wo (270 Deg))

	Member Label	Direction	Magnitude[lb.k-ft]	Location[ft,%]
1	MP3A	X	-41.37	.5
2	MP3A	Z	0	.5
3	MP3A	Mx	.021	.5
4	MP3A	X	-41.37	5

Member Point Loads (BLC 12 : Antenna Wo (270 Deg)) (Continued)

	Member Label	Direction	Magnitude[lb.k-ft]	Location[ft.%]
5	MP3A	Z	0	5
6	MP3A	Mx	.021	5
7	MP3B	X	-82.651	.5
8	MP3B	Z	0	.5
9	MP3B	Mx	-.068	.5
10	MP3B	X	-82.651	5
11	MP3B	Z	0	5
12	MP3B	Mx	-.068	5
13	MP3C	X	-82.651	.5
14	MP3C	Z	0	.5
15	MP3C	Mx	.027	.5
16	MP3C	X	-82.651	5
17	MP3C	Z	0	5
18	MP3C	Mx	.027	5
19	MP3A	X	-94.843	.5
20	MP3A	Z	0	.5
21	MP3A	Mx	.047	.5
22	MP3A	X	-94.843	5
23	MP3A	Z	0	5
24	MP3A	Mx	.047	5
25	MP3B	X	-130.909	.5
26	MP3B	Z	0	.5
27	MP3B	Mx	.043	.5
28	MP3B	X	-130.909	5
29	MP3B	Z	0	5
30	MP3B	Mx	.043	5
31	MP3C	X	-130.909	.5
32	MP3C	Z	0	.5
33	MP3C	Mx	-.108	.5
34	MP3C	X	-130.909	5
35	MP3C	Z	0	5
36	MP3C	Mx	-.108	5
37	MP5A	X	-23.97	1.75
38	MP5A	Z	0	1.75
39	MP5A	Mx	.012	1.75
40	MP5A	X	-23.97	3.75
41	MP5A	Z	0	3.75
42	MP5A	Mx	.012	3.75
43	MP5B	X	-58.193	1.75
44	MP5B	Z	0	1.75
45	MP5B	Mx	-.015	1.75
46	MP5B	X	-58.193	3.75
47	MP5B	Z	0	3.75
48	MP5B	Mx	-.015	3.75
49	MP5C	X	-58.193	1.75
50	MP5C	Z	0	1.75
51	MP5C	Mx	-.015	1.75
52	MP5C	X	-58.193	3.75
53	MP5C	Z	0	3.75
54	MP5C	Mx	-.015	3.75
55	MP4A	X	-36.931	2
56	MP4A	Z	0	2
57	MP4A	Mx	-.018	2
58	MP4B	X	-50.514	2
59	MP4B	Z	0	2
60	MP4B	Mx	.013	2
61	MP4C	X	-50.514	2
62	MP4C	Z	0	2
63	MP4C	Mx	.013	2

Member Point Loads (BLC 12 : Antenna Wo (270 Deg)) (Continued)

	Member Label	Direction	Magnitude[lb.k-ft]	Location[ft.%]
64	MP2A	X	-30.184	2
65	MP2A	Z	0	2
66	MP2A	Mx	-.015	2
67	MP2B	X	-48.827	2
68	MP2B	Z	0	2
69	MP2B	Mx	.012	2
70	MP2C	X	-48.827	2
71	MP2C	Z	0	2
72	MP2C	Mx	.012	2
73	MP3A	X	-12.074	2
74	MP3A	Z	0	2
75	MP3A	Mx	-.006	2
76	MP3B	X	-22.194	2
77	MP3B	Z	0	2
78	MP3B	Mx	.006	2
79	MP3C	X	-22.194	2
80	MP3C	Z	0	2
81	MP3C	Mx	.006	2
82	OVP1	X	-92.328	1
83	OVP1	Z	0	1
84	OVP1	Mx	0	1
85	MP1A	X	-152.248	.5
86	MP1A	Z	0	.5
87	MP1A	Mx	.076	.5
88	MP1A	X	-152.248	5
89	MP1A	Z	0	5
90	MP1A	Mx	.076	5
91	MP1B	X	-165.9	.5
92	MP1B	Z	0	.5
93	MP1B	Mx	-.041	.5
94	MP1B	X	-165.9	5
95	MP1B	Z	0	5
96	MP1B	Mx	-.041	5
97	MP1C	X	-165.9	.5
98	MP1C	Z	0	.5
99	MP1C	Mx	-.041	.5
100	MP1C	X	-165.9	5
101	MP1C	Z	0	5
102	MP1C	Mx	-.041	5
103	OVP2	X	-92.328	1
104	OVP2	Z	0	1
105	OVP2	Mx	0	1

Member Point Loads (BLC 13 : Antenna Wo (300 Deg))

	Member Label	Direction	Magnitude[lb.k-ft]	Location[ft.%]
1	MP3A	X	-47.744	.5
2	MP3A	Z	-27.565	.5
3	MP3A	Mx	.042	.5
4	MP3A	X	-47.744	5
5	MP3A	Z	-27.565	5
6	MP3A	Mx	.042	5
7	MP3B	X	-83.495	.5
8	MP3B	Z	-48.206	.5
9	MP3B	Mx	-.064	.5
10	MP3B	X	-83.495	5
11	MP3B	Z	-48.206	5
12	MP3B	Mx	-.064	5
13	MP3C	X	-47.744	.5

Member Point Loads (BLC 13 : Antenna Wo (300 Deg)) (Continued)

	Member Label	Direction	Magnitude[lb.k-ft]	Location[ft.%]
14	MP3C	Z	-27.565	.5
15	MP3C	Mx	-.005	.5
16	MP3C	X	-47.744	5
17	MP3C	Z	-27.565	5
18	MP3C	Mx	-.005	5
19	MP3A	X	-92.548	.5
20	MP3A	Z	-53.433	.5
21	MP3A	Mx	.011	.5
22	MP3A	X	-92.548	5
23	MP3A	Z	-53.433	5
24	MP3A	Mx	.011	5
25	MP3B	X	-123.782	.5
26	MP3B	Z	-71.465	.5
27	MP3B	Mx	.095	.5
28	MP3B	X	-123.782	5
29	MP3B	Z	-71.465	5
30	MP3B	Mx	.095	5
31	MP3C	X	-92.548	.5
32	MP3C	Z	-53.433	.5
33	MP3C	Mx	-.082	.5
34	MP3C	X	-92.548	5
35	MP3C	Z	-53.433	5
36	MP3C	Mx	-.082	5
37	MP5A	X	-30.638	1.75
38	MP5A	Z	-17.689	1.75
39	MP5A	Mx	.015	1.75
40	MP5A	X	-30.638	3.75
41	MP5A	Z	-17.689	3.75
42	MP5A	Mx	.015	3.75
43	MP5B	X	-60.276	1.75
44	MP5B	Z	-34.801	1.75
45	MP5B	Mx	0	1.75
46	MP5B	X	-60.276	3.75
47	MP5B	Z	-34.801	3.75
48	MP5B	Mx	0	3.75
49	MP5C	X	-30.638	1.75
50	MP5C	Z	-17.689	1.75
51	MP5C	Mx	-.015	1.75
52	MP5C	X	-30.638	3.75
53	MP5C	Z	-17.689	3.75
54	MP5C	Mx	-.015	3.75
55	MP4A	X	-35.904	2
56	MP4A	Z	-20.729	2
57	MP4A	Mx	-.018	2
58	MP4B	X	-47.667	2
59	MP4B	Z	-27.521	2
60	MP4B	Mx	0	2
61	MP4C	X	-35.904	2
62	MP4C	Z	-20.729	2
63	MP4C	Mx	.018	2
64	MP2A	X	-31.522	2
65	MP2A	Z	-18.199	2
66	MP2A	Mx	-.016	2
67	MP2B	X	-47.667	2
68	MP2B	Z	-27.521	2
69	MP2B	Mx	0	2
70	MP2C	X	-31.522	2
71	MP2C	Z	-18.199	2
72	MP2C	Mx	.016	2

Member Point Loads (BLC 13 : Antenna Wo (300 Deg)) (Continued)

	Member Label	Direction	Magnitude[lb.k-ft]	Location[ft.%]
73	MP3A	X	-13.378	2
74	MP3A	Z	-7.724	2
75	MP3A	Mx	-.007	2
76	MP3B	X	-22.142	2
77	MP3B	Z	-12.784	2
78	MP3B	Mx	0	2
79	MP3C	X	-13.378	2
80	MP3C	Z	-7.724	2
81	MP3C	Mx	.007	2
82	OVP1	X	-74.115	1
83	OVP1	Z	-42.79	1
84	OVP1	Mx	0	1
85	MP1A	X	-135.792	.5
86	MP1A	Z	-78.399	.5
87	MP1A	Mx	.068	.5
88	MP1A	X	-135.792	5
89	MP1A	Z	-78.399	5
90	MP1A	Mx	.068	5
91	MP1B	X	-147.615	.5
92	MP1B	Z	-85.226	.5
93	MP1B	Mx	0	.5
94	MP1B	X	-147.615	5
95	MP1B	Z	-85.226	5
96	MP1B	Mx	0	5
97	MP1C	X	-135.792	.5
98	MP1C	Z	-78.399	.5
99	MP1C	Mx	-.068	.5
100	MP1C	X	-135.792	5
101	MP1C	Z	-78.399	5
102	MP1C	Mx	-.068	5
103	OVP2	X	-74.115	1
104	OVP2	Z	-42.79	1
105	OVP2	Mx	0	1

Member Point Loads (BLC 14 : Antenna Wo (330 Deg))

	Member Label	Direction	Magnitude[lb.k-ft]	Location[ft.%]
1	MP3A	X	-41.326	.5
2	MP3A	Z	-71.578	.5
3	MP3A	Mx	.068	.5
4	MP3A	X	-41.326	5
5	MP3A	Z	-71.578	5
6	MP3A	Mx	.068	5
7	MP3B	X	-41.326	.5
8	MP3B	Z	-71.578	.5
9	MP3B	Mx	-.027	.5
10	MP3B	X	-41.326	5
11	MP3B	Z	-71.578	5
12	MP3B	Mx	-.027	5
13	MP3C	X	-20.685	.5
14	MP3C	Z	-35.827	.5
15	MP3C	Mx	-.021	.5
16	MP3C	X	-20.685	5
17	MP3C	Z	-35.827	5
18	MP3C	Mx	-.021	5
19	MP3A	X	-65.454	.5
20	MP3A	Z	-113.37	.5
21	MP3A	Mx	-.043	.5
22	MP3A	X	-65.454	5

Member Point Loads (BLC 14 : Antenna Wo (330 Deg)) (Continued)

	Member Label	Direction	Magnitude[lb.k-ft]	Location[ft.%]
23	MP3A	Z	-113.37	5
24	MP3A	Mx	-.043	5
25	MP3B	X	-65.454	.5
26	MP3B	Z	-113.37	.5
27	MP3B	Mx	.108	.5
28	MP3B	X	-65.454	5
29	MP3B	Z	-113.37	5
30	MP3B	Mx	.108	5
31	MP3C	X	-47.422	.5
32	MP3C	Z	-82.137	.5
33	MP3C	Mx	-.047	.5
34	MP3C	X	-47.422	5
35	MP3C	Z	-82.137	5
36	MP3C	Mx	-.047	5
37	MP5A	X	-29.097	1.75
38	MP5A	Z	-50.397	1.75
39	MP5A	Mx	.015	1.75
40	MP5A	X	-29.097	3.75
41	MP5A	Z	-50.397	3.75
42	MP5A	Mx	.015	3.75
43	MP5B	X	-29.097	1.75
44	MP5B	Z	-50.397	1.75
45	MP5B	Mx	.015	1.75
46	MP5B	X	-29.097	3.75
47	MP5B	Z	-50.397	3.75
48	MP5B	Mx	.015	3.75
49	MP5C	X	-11.985	1.75
50	MP5C	Z	-20.758	1.75
51	MP5C	Mx	-.012	1.75
52	MP5C	X	-11.985	3.75
53	MP5C	Z	-20.758	3.75
54	MP5C	Mx	-.012	3.75
55	MP4A	X	-25.257	2
56	MP4A	Z	-43.746	2
57	MP4A	Mx	-.013	2
58	MP4B	X	-25.257	2
59	MP4B	Z	-43.746	2
60	MP4B	Mx	-.013	2
61	MP4C	X	-18.466	2
62	MP4C	Z	-31.983	2
63	MP4C	Mx	.018	2
64	MP2A	X	-24.414	2
65	MP2A	Z	-42.286	2
66	MP2A	Mx	-.012	2
67	MP2B	X	-24.414	2
68	MP2B	Z	-42.286	2
69	MP2B	Mx	-.012	2
70	MP2C	X	-15.092	2
71	MP2C	Z	-26.14	2
72	MP2C	Mx	.015	2
73	MP3A	X	-11.097	2
74	MP3A	Z	-19.221	2
75	MP3A	Mx	-.006	2
76	MP3B	X	-11.097	2
77	MP3B	Z	-19.221	2
78	MP3B	Mx	-.006	2
79	MP3C	X	-6.037	2
80	MP3C	Z	-10.456	2
81	MP3C	Mx	.006	2

Member Point Loads (BLC 14 : Antenna Wo (330 Deg)) (Continued)

	Member Label	Direction	Magnitude[lb.k-ft]	Location[ft.%]
82	OVP1	X	-46.164	1
83	OVP1	Z	-79.958	1
84	OVP1	Mx	0	1
85	MP1A	X	-82.95	.5
86	MP1A	Z	-143.674	.5
87	MP1A	Mx	.041	.5
88	MP1A	X	-82.95	5
89	MP1A	Z	-143.674	5
90	MP1A	Mx	.041	5
91	MP1B	X	-82.95	.5
92	MP1B	Z	-143.674	.5
93	MP1B	Mx	.041	.5
94	MP1B	X	-82.95	5
95	MP1B	Z	-143.674	5
96	MP1B	Mx	.041	5
97	MP1C	X	-76.124	.5
98	MP1C	Z	-131.85	.5
99	MP1C	Mx	-.076	.5
100	MP1C	X	-76.124	5
101	MP1C	Z	-131.85	5
102	MP1C	Mx	-.076	5
103	OVP2	X	-46.164	1
104	OVP2	Z	-79.958	1
105	OVP2	Mx	0	1

Member Point Loads (BLC 15 : Antenna Wi (0 Deg))

	Member Label	Direction	Magnitude[lb.k-ft]	Location[ft.%]
1	MP3A	X	0	.5
2	MP3A	Z	-30.65	.5
3	MP3A	Mx	.02	.5
4	MP3A	X	0	5
5	MP3A	Z	-30.65	5
6	MP3A	Mx	.02	5
7	MP3B	X	0	.5
8	MP3B	Z	-23.778	.5
9	MP3B	Mx	.002	.5
10	MP3B	X	0	5
11	MP3B	Z	-23.778	5
12	MP3B	Mx	.002	5
13	MP3C	X	0	.5
14	MP3C	Z	-23.778	.5
15	MP3C	Mx	-.018	.5
16	MP3C	X	0	5
17	MP3C	Z	-23.778	5
18	MP3C	Mx	-.018	5
19	MP3A	X	0	.5
20	MP3A	Z	-30.65	.5
21	MP3A	Mx	-.02	.5
22	MP3A	X	0	5
23	MP3A	Z	-30.65	5
24	MP3A	Mx	-.02	5
25	MP3B	X	0	.5
26	MP3B	Z	-23.778	.5
27	MP3B	Mx	.018	.5
28	MP3B	X	0	5
29	MP3B	Z	-23.778	5
30	MP3B	Mx	.018	5
31	MP3C	X	0	.5

Member Point Loads (BLC 15 : Antenna Wi (0 Deg)) (Continued)

	Member Label	Direction	Magnitude[lb.k-ft]	Location[ft.%]
32	MP3C	Z	-23.778	.5
33	MP3C	Mx	-.002	.5
34	MP3C	X	0	5
35	MP3C	Z	-23.778	5
36	MP3C	Mx	-.002	5
37	MP5A	X	0	1.75
38	MP5A	Z	-18.406	1.75
39	MP5A	Mx	0	1.75
40	MP5A	X	0	3.75
41	MP5A	Z	-18.406	3.75
42	MP5A	Mx	0	3.75
43	MP5B	X	0	1.75
44	MP5B	Z	-10.694	1.75
45	MP5B	Mx	.005	1.75
46	MP5B	X	0	3.75
47	MP5B	Z	-10.694	3.75
48	MP5B	Mx	.005	3.75
49	MP5C	X	0	1.75
50	MP5C	Z	-10.694	1.75
51	MP5C	Mx	-.005	1.75
52	MP5C	X	0	3.75
53	MP5C	Z	-10.694	3.75
54	MP5C	Mx	-.005	3.75
55	MP4A	X	0	2
56	MP4A	Z	-15.878	2
57	MP4A	Mx	0	2
58	MP4B	X	0	2
59	MP4B	Z	-12.39	2
60	MP4B	Mx	-.005	2
61	MP4C	X	0	2
62	MP4C	Z	-12.39	2
63	MP4C	Mx	.005	2
64	MP2A	X	0	2
65	MP2A	Z	-15.878	2
66	MP2A	Mx	0	2
67	MP2B	X	0	2
68	MP2B	Z	-11.065	2
69	MP2B	Mx	-.005	2
70	MP2C	X	0	2
71	MP2C	Z	-11.065	2
72	MP2C	Mx	.005	2
73	MP3A	X	0	2
74	MP3A	Z	-9.29	2
75	MP3A	Mx	0	2
76	MP3B	X	0	2
77	MP3B	Z	-6.42	2
78	MP3B	Mx	-.003	2
79	MP3C	X	0	2
80	MP3C	Z	-6.42	2
81	MP3C	Mx	.003	2
82	OVP1	X	0	1
83	OVP1	Z	-30.271	1
84	OVP1	Mx	0	1
85	MP1A	X	0	.5
86	MP1A	Z	-35.853	.5
87	MP1A	Mx	0	.5
88	MP1A	X	0	5
89	MP1A	Z	-35.853	5
90	MP1A	Mx	0	5

Member Point Loads (BLC 15 : Antenna Wi (0 Deg)) (Continued)

	Member Label	Direction	Magnitude[lb.k-ft]	Location[ft,%]
91	MP1B	X	0	.5
92	MP1B	Z	-33.222	.5
93	MP1B	Mx	.014	.5
94	MP1B	X	0	5
95	MP1B	Z	-33.222	5
96	MP1B	Mx	.014	5
97	MP1C	X	0	.5
98	MP1C	Z	-33.222	.5
99	MP1C	Mx	-.014	.5
100	MP1C	X	0	5
101	MP1C	Z	-33.222	5
102	MP1C	Mx	-.014	5
103	OVP2	X	0	1
104	OVP2	Z	-30.271	1
105	OVP2	Mx	0	1

Member Point Loads (BLC 16 : Antenna Wi (30 Deg))

	Member Label	Direction	Magnitude[lb.k-ft]	Location[ft,%]
1	MP3A	X	14.18	.5
2	MP3A	Z	-24.56	.5
3	MP3A	Mx	.009	.5
4	MP3A	X	14.18	5
5	MP3A	Z	-24.56	5
6	MP3A	Mx	.009	5
7	MP3B	X	10.744	.5
8	MP3B	Z	-18.609	.5
9	MP3B	Mx	.011	.5
10	MP3B	X	10.744	5
11	MP3B	Z	-18.609	5
12	MP3B	Mx	.011	5
13	MP3C	X	14.18	.5
14	MP3C	Z	-24.56	.5
15	MP3C	Mx	-.023	.5
16	MP3C	X	14.18	5
17	MP3C	Z	-24.56	5
18	MP3C	Mx	-.023	5
19	MP3A	X	14.18	.5
20	MP3A	Z	-24.56	.5
21	MP3A	Mx	-.023	.5
22	MP3A	X	14.18	5
23	MP3A	Z	-24.56	5
24	MP3A	Mx	-.023	5
25	MP3B	X	10.744	.5
26	MP3B	Z	-18.609	.5
27	MP3B	Mx	.011	.5
28	MP3B	X	10.744	5
29	MP3B	Z	-18.609	5
30	MP3B	Mx	.011	5
31	MP3C	X	14.18	.5
32	MP3C	Z	-24.56	.5
33	MP3C	Mx	.009	.5
34	MP3C	X	14.18	5
35	MP3C	Z	-24.56	5
36	MP3C	Mx	.009	5
37	MP5A	X	7.918	1.75
38	MP5A	Z	-13.714	1.75
39	MP5A	Mx	-.004	1.75
40	MP5A	X	7.918	3.75

Member Point Loads (BLC 16 : Antenna Wi (30 Deg)) (Continued)

	Member Label	Direction	Magnitude[lb.k-ft]	Location[ft.%]
41	MP5A	Z	-13.714	3.75
42	MP5A	Mx	-.004	3.75
43	MP5B	X	4.062	1.75
44	MP5B	Z	-7.036	1.75
45	MP5B	Mx	.004	1.75
46	MP5B	X	4.062	3.75
47	MP5B	Z	-7.036	3.75
48	MP5B	Mx	.004	3.75
49	MP5C	X	7.918	1.75
50	MP5C	Z	-13.714	1.75
51	MP5C	Mx	-.004	1.75
52	MP5C	X	7.918	3.75
53	MP5C	Z	-13.714	3.75
54	MP5C	Mx	-.004	3.75
55	MP4A	X	7.358	2
56	MP4A	Z	-12.744	2
57	MP4A	Mx	.004	2
58	MP4B	X	5.614	2
59	MP4B	Z	-9.724	2
60	MP4B	Mx	-.006	2
61	MP4C	X	7.358	2
62	MP4C	Z	-12.744	2
63	MP4C	Mx	.004	2
64	MP2A	X	7.137	2
65	MP2A	Z	-12.361	2
66	MP2A	Mx	.004	2
67	MP2B	X	4.73	2
68	MP2B	Z	-8.193	2
69	MP2B	Mx	-.005	2
70	MP2C	X	7.137	2
71	MP2C	Z	-12.361	2
72	MP2C	Mx	.004	2
73	MP3A	X	4.167	2
74	MP3A	Z	-7.217	2
75	MP3A	Mx	.002	2
76	MP3B	X	2.732	2
77	MP3B	Z	-4.731	2
78	MP3B	Mx	-.003	2
79	MP3C	X	4.167	2
80	MP3C	Z	-7.217	2
81	MP3C	Mx	.002	2
82	OVP1	X	15.978	1
83	OVP1	Z	-27.674	1
84	OVP1	Mx	0	1
85	MP1A	X	17.488	.5
86	MP1A	Z	-30.29	.5
87	MP1A	Mx	-.009	.5
88	MP1A	X	17.488	5
89	MP1A	Z	-30.29	5
90	MP1A	Mx	-.009	5
91	MP1B	X	16.172	.5
92	MP1B	Z	-28.011	.5
93	MP1B	Mx	.016	.5
94	MP1B	X	16.172	5
95	MP1B	Z	-28.011	5
96	MP1B	Mx	.016	5
97	MP1C	X	17.488	.5
98	MP1C	Z	-30.29	.5
99	MP1C	Mx	-.009	.5

Member Point Loads (BLC 16 : Antenna Wi (30 Deg)) (Continued)

	Member Label	Direction	Magnitude[lb.k-ft]	Location[ft,%]
100	MP1C	X	17.488	5
101	MP1C	Z	-30.29	5
102	MP1C	Mx	-.009	5
103	OVP2	X	15.978	1
104	OVP2	Z	-27.674	1
105	OVP2	Mx	0	1

Member Point Loads (BLC 17 : Antenna Wi (60 Deg))

	Member Label	Direction	Magnitude[lb.k-ft]	Location[ft,%]
1	MP3A	X	20.592	.5
2	MP3A	Z	-11.889	.5
3	MP3A	Mx	-.002	.5
4	MP3A	X	20.592	5
5	MP3A	Z	-11.889	5
6	MP3A	Mx	-.002	5
7	MP3B	X	20.592	.5
8	MP3B	Z	-11.889	.5
9	MP3B	Mx	.018	.5
10	MP3B	X	20.592	5
11	MP3B	Z	-11.889	5
12	MP3B	Mx	.018	5
13	MP3C	X	26.543	.5
14	MP3C	Z	-15.325	.5
15	MP3C	Mx	-.02	.5
16	MP3C	X	26.543	5
17	MP3C	Z	-15.325	5
18	MP3C	Mx	-.02	5
19	MP3A	X	20.592	.5
20	MP3A	Z	-11.889	.5
21	MP3A	Mx	-.018	.5
22	MP3A	X	20.592	5
23	MP3A	Z	-11.889	5
24	MP3A	Mx	-.018	5
25	MP3B	X	20.592	.5
26	MP3B	Z	-11.889	.5
27	MP3B	Mx	.002	.5
28	MP3B	X	20.592	5
29	MP3B	Z	-11.889	5
30	MP3B	Mx	.002	5
31	MP3C	X	26.543	.5
32	MP3C	Z	-15.325	.5
33	MP3C	Mx	.02	.5
34	MP3C	X	26.543	5
35	MP3C	Z	-15.325	5
36	MP3C	Mx	.02	5
37	MP5A	X	9.262	1.75
38	MP5A	Z	-5.347	1.75
39	MP5A	Mx	-.005	1.75
40	MP5A	X	9.262	3.75
41	MP5A	Z	-5.347	3.75
42	MP5A	Mx	-.005	3.75
43	MP5B	X	9.262	1.75
44	MP5B	Z	-5.347	1.75
45	MP5B	Mx	.005	1.75
46	MP5B	X	9.262	3.75
47	MP5B	Z	-5.347	3.75
48	MP5B	Mx	.005	3.75
49	MP5C	X	15.94	1.75

Member Point Loads (BLC 17 : Antenna Wi (60 Deg)) (Continued)

	Member Label	Direction	Magnitude[lb.k-ft]	Location[ft.%]
50	MP5C	Z	-9.203	1.75
51	MP5C	Mx	0	1.75
52	MP5C	X	15.94	3.75
53	MP5C	Z	-9.203	3.75
54	MP5C	Mx	0	3.75
55	MP4A	X	10.73	2
56	MP4A	Z	-6.195	2
57	MP4A	Mx	.005	2
58	MP4B	X	10.73	2
59	MP4B	Z	-6.195	2
60	MP4B	Mx	-.005	2
61	MP4C	X	13.751	2
62	MP4C	Z	-7.939	2
63	MP4C	Mx	0	2
64	MP2A	X	9.583	2
65	MP2A	Z	-5.533	2
66	MP2A	Mx	.005	2
67	MP2B	X	9.583	2
68	MP2B	Z	-5.533	2
69	MP2B	Mx	-.005	2
70	MP2C	X	13.751	2
71	MP2C	Z	-7.939	2
72	MP2C	Mx	0	2
73	MP3A	X	5.56	2
74	MP3A	Z	-3.21	2
75	MP3A	Mx	.003	2
76	MP3B	X	5.56	2
77	MP3B	Z	-3.21	2
78	MP3B	Mx	-.003	2
79	MP3C	X	8.045	2
80	MP3C	Z	-4.645	2
81	MP3C	Mx	0	2
82	OVP1	X	26.216	1
83	OVP1	Z	-15.136	1
84	OVP1	Mx	0	1
85	MP1A	X	28.771	.5
86	MP1A	Z	-16.611	.5
87	MP1A	Mx	-.014	.5
88	MP1A	X	28.771	5
89	MP1A	Z	-16.611	5
90	MP1A	Mx	-.014	5
91	MP1B	X	28.771	.5
92	MP1B	Z	-16.611	.5
93	MP1B	Mx	.014	.5
94	MP1B	X	28.771	5
95	MP1B	Z	-16.611	5
96	MP1B	Mx	.014	5
97	MP1C	X	31.05	.5
98	MP1C	Z	-17.926	.5
99	MP1C	Mx	0	.5
100	MP1C	X	31.05	5
101	MP1C	Z	-17.926	5
102	MP1C	Mx	0	5
103	OVP2	X	26.216	1
104	OVP2	Z	-15.136	1
105	OVP2	Mx	0	1

Member Point Loads (BLC 18 : Antenna Wi (90 Deg))

Member Point Loads (BLC 18 : Antenna Wi (90 Deg)) (Continued)

	Member Label	Direction	Magnitude[lb.k-ft]	Location[ft.%]
1	MP3A	X	21.488	.5
2	MP3A	Z	0	.5
3	MP3A	Mx	-.011	.5
4	MP3A	X	21.488	5
5	MP3A	Z	0	5
6	MP3A	Mx	-.011	5
7	MP3B	X	28.359	.5
8	MP3B	Z	0	.5
9	MP3B	Mx	.023	.5
10	MP3B	X	28.359	5
11	MP3B	Z	0	5
12	MP3B	Mx	.023	5
13	MP3C	X	28.359	.5
14	MP3C	Z	0	.5
15	MP3C	Mx	-.009	.5
16	MP3C	X	28.359	5
17	MP3C	Z	0	5
18	MP3C	Mx	-.009	5
19	MP3A	X	21.488	.5
20	MP3A	Z	0	.5
21	MP3A	Mx	-.011	.5
22	MP3A	X	21.488	5
23	MP3A	Z	0	5
24	MP3A	Mx	-.011	5
25	MP3B	X	28.359	.5
26	MP3B	Z	0	.5
27	MP3B	Mx	-.009	.5
28	MP3B	X	28.359	5
29	MP3B	Z	0	5
30	MP3B	Mx	-.009	5
31	MP3C	X	28.359	.5
32	MP3C	Z	0	.5
33	MP3C	Mx	.023	.5
34	MP3C	X	28.359	5
35	MP3C	Z	0	5
36	MP3C	Mx	.023	5
37	MP5A	X	8.124	1.75
38	MP5A	Z	0	1.75
39	MP5A	Mx	-.004	1.75
40	MP5A	X	8.124	3.75
41	MP5A	Z	0	3.75
42	MP5A	Mx	-.004	3.75
43	MP5B	X	15.835	1.75
44	MP5B	Z	0	1.75
45	MP5B	Mx	.004	1.75
46	MP5B	X	15.835	3.75
47	MP5B	Z	0	3.75
48	MP5B	Mx	.004	3.75
49	MP5C	X	15.835	1.75
50	MP5C	Z	0	1.75
51	MP5C	Mx	.004	1.75
52	MP5C	X	15.835	3.75
53	MP5C	Z	0	3.75
54	MP5C	Mx	.004	3.75
55	MP4A	X	11.228	2
56	MP4A	Z	0	2
57	MP4A	Mx	.006	2
58	MP4B	X	14.716	2
59	MP4B	Z	0	2

Member Point Loads (BLC 18 : Antenna Wi (90 Deg)) (Continued)

	Member Label	Direction	Magnitude[lb.k-ft]	Location[ft,%]
60	MP4B	Mx	-.004	2
61	MP4C	X	14.716	2
62	MP4C	Z	0	2
63	MP4C	Mx	-.004	2
64	MP2A	X	9.461	2
65	MP2A	Z	0	2
66	MP2A	Mx	.005	2
67	MP2B	X	14.274	2
68	MP2B	Z	0	2
69	MP2B	Mx	-.004	2
70	MP2C	X	14.274	2
71	MP2C	Z	0	2
72	MP2C	Mx	-.004	2
73	MP3A	X	5.463	2
74	MP3A	Z	0	2
75	MP3A	Mx	.003	2
76	MP3B	X	8.333	2
77	MP3B	Z	0	2
78	MP3B	Mx	-.002	2
79	MP3C	X	8.333	2
80	MP3C	Z	0	2
81	MP3C	Mx	-.002	2
82	OVP1	X	26.903	1
83	OVP1	Z	0	1
84	OVP1	Mx	0	1
85	MP1A	X	32.345	.5
86	MP1A	Z	0	.5
87	MP1A	Mx	-.016	.5
88	MP1A	X	32.345	5
89	MP1A	Z	0	5
90	MP1A	Mx	-.016	5
91	MP1B	X	34.976	.5
92	MP1B	Z	0	.5
93	MP1B	Mx	.009	.5
94	MP1B	X	34.976	5
95	MP1B	Z	0	5
96	MP1B	Mx	.009	5
97	MP1C	X	34.976	.5
98	MP1C	Z	0	.5
99	MP1C	Mx	.009	.5
100	MP1C	X	34.976	5
101	MP1C	Z	0	5
102	MP1C	Mx	.009	5
103	OVP2	X	26.903	1
104	OVP2	Z	0	1
105	OVP2	Mx	0	1

Member Point Loads (BLC 19 : Antenna Wi (120 Deg))

	Member Label	Direction	Magnitude[lb.k-ft]	Location[ft,%]
1	MP3A	X	20.592	.5
2	MP3A	Z	11.889	.5
3	MP3A	Mx	-.018	.5
4	MP3A	X	20.592	5
5	MP3A	Z	11.889	5
6	MP3A	Mx	-.018	5
7	MP3B	X	26.543	.5
8	MP3B	Z	15.325	.5
9	MP3B	Mx	.02	.5

Member Point Loads (BLC 19 : Antenna Wi (120 Deg)) (Continued)

	Member Label	Direction	Magnitude[lb.k-ft]	Location[ft.%]
10	MP3B	X	26.543	5
11	MP3B	Z	15.325	5
12	MP3B	Mx	.02	5
13	MP3C	X	20.592	.5
14	MP3C	Z	11.889	.5
15	MP3C	Mx	.002	.5
16	MP3C	X	20.592	5
17	MP3C	Z	11.889	5
18	MP3C	Mx	.002	5
19	MP3A	X	20.592	.5
20	MP3A	Z	11.889	.5
21	MP3A	Mx	-.002	.5
22	MP3A	X	20.592	5
23	MP3A	Z	11.889	5
24	MP3A	Mx	-.002	5
25	MP3B	X	26.543	.5
26	MP3B	Z	15.325	.5
27	MP3B	Mx	-.02	.5
28	MP3B	X	26.543	5
29	MP3B	Z	15.325	5
30	MP3B	Mx	-.02	5
31	MP3C	X	20.592	.5
32	MP3C	Z	11.889	.5
33	MP3C	Mx	.018	.5
34	MP3C	X	20.592	5
35	MP3C	Z	11.889	5
36	MP3C	Mx	.018	5
37	MP5A	X	9.262	1.75
38	MP5A	Z	5.347	1.75
39	MP5A	Mx	-.005	1.75
40	MP5A	X	9.262	3.75
41	MP5A	Z	5.347	3.75
42	MP5A	Mx	-.005	3.75
43	MP5B	X	15.94	1.75
44	MP5B	Z	9.203	1.75
45	MP5B	Mx	0	1.75
46	MP5B	X	15.94	3.75
47	MP5B	Z	9.203	3.75
48	MP5B	Mx	0	3.75
49	MP5C	X	9.262	1.75
50	MP5C	Z	5.347	1.75
51	MP5C	Mx	.005	1.75
52	MP5C	X	9.262	3.75
53	MP5C	Z	5.347	3.75
54	MP5C	Mx	.005	3.75
55	MP4A	X	10.73	2
56	MP4A	Z	6.195	2
57	MP4A	Mx	.005	2
58	MP4B	X	13.751	2
59	MP4B	Z	7.939	2
60	MP4B	Mx	0	2
61	MP4C	X	10.73	2
62	MP4C	Z	6.195	2
63	MP4C	Mx	-.005	2
64	MP2A	X	9.583	2
65	MP2A	Z	5.533	2
66	MP2A	Mx	.005	2
67	MP2B	X	13.751	2
68	MP2B	Z	7.939	2

Member Point Loads (BLC 19 : Antenna Wi (120 Deg)) (Continued)

	Member Label	Direction	Magnitude[lb.k-ft]	Location[ft,%]
69	MP2B	Mx	0	2
70	MP2C	X	9.583	2
71	MP2C	Z	5.533	2
72	MP2C	Mx	-.005	2
73	MP3A	X	5.56	2
74	MP3A	Z	3.21	2
75	MP3A	Mx	.003	2
76	MP3B	X	8.045	2
77	MP3B	Z	4.645	2
78	MP3B	Mx	0	2
79	MP3C	X	5.56	2
80	MP3C	Z	3.21	2
81	MP3C	Mx	-.003	2
82	OVP1	X	21.84	1
83	OVP1	Z	12.609	1
84	OVP1	Mx	0	1
85	MP1A	X	28.771	.5
86	MP1A	Z	16.611	.5
87	MP1A	Mx	-.014	.5
88	MP1A	X	28.771	5
89	MP1A	Z	16.611	5
90	MP1A	Mx	-.014	5
91	MP1B	X	31.05	.5
92	MP1B	Z	17.926	.5
93	MP1B	Mx	0	.5
94	MP1B	X	31.05	5
95	MP1B	Z	17.926	5
96	MP1B	Mx	0	5
97	MP1C	X	28.771	.5
98	MP1C	Z	16.611	.5
99	MP1C	Mx	.014	.5
100	MP1C	X	28.771	5
101	MP1C	Z	16.611	5
102	MP1C	Mx	.014	5
103	OVP2	X	21.84	1
104	OVP2	Z	12.609	1
105	OVP2	Mx	0	1

Member Point Loads (BLC 20 : Antenna Wi (150 Deg))

	Member Label	Direction	Magnitude[lb.k-ft]	Location[ft,%]
1	MP3A	X	14.18	.5
2	MP3A	Z	24.56	.5
3	MP3A	Mx	-.023	.5
4	MP3A	X	14.18	5
5	MP3A	Z	24.56	5
6	MP3A	Mx	-.023	5
7	MP3B	X	14.18	.5
8	MP3B	Z	24.56	.5
9	MP3B	Mx	.009	.5
10	MP3B	X	14.18	5
11	MP3B	Z	24.56	5
12	MP3B	Mx	.009	5
13	MP3C	X	10.744	.5
14	MP3C	Z	18.609	.5
15	MP3C	Mx	.011	.5
16	MP3C	X	10.744	5
17	MP3C	Z	18.609	5
18	MP3C	Mx	.011	5

Member Point Loads (BLC 20 : Antenna Wi (150 Deg)) (Continued)

	Member Label	Direction	Magnitude[lb.k-ft]	Location[ft.%]
19	MP3A	X	14.18	.5
20	MP3A	Z	24.56	.5
21	MP3A	Mx	.009	.5
22	MP3A	X	14.18	5
23	MP3A	Z	24.56	5
24	MP3A	Mx	.009	5
25	MP3B	X	14.18	.5
26	MP3B	Z	24.56	.5
27	MP3B	Mx	-.023	.5
28	MP3B	X	14.18	5
29	MP3B	Z	24.56	5
30	MP3B	Mx	-.023	5
31	MP3C	X	10.744	.5
32	MP3C	Z	18.609	.5
33	MP3C	Mx	.011	.5
34	MP3C	X	10.744	5
35	MP3C	Z	18.609	5
36	MP3C	Mx	.011	5
37	MP5A	X	7.918	1.75
38	MP5A	Z	13.714	1.75
39	MP5A	Mx	-.004	1.75
40	MP5A	X	7.918	3.75
41	MP5A	Z	13.714	3.75
42	MP5A	Mx	-.004	3.75
43	MP5B	X	7.918	1.75
44	MP5B	Z	13.714	1.75
45	MP5B	Mx	-.004	1.75
46	MP5B	X	7.918	3.75
47	MP5B	Z	13.714	3.75
48	MP5B	Mx	-.004	3.75
49	MP5C	X	4.062	1.75
50	MP5C	Z	7.036	1.75
51	MP5C	Mx	.004	1.75
52	MP5C	X	4.062	3.75
53	MP5C	Z	7.036	3.75
54	MP5C	Mx	.004	3.75
55	MP4A	X	7.358	2
56	MP4A	Z	12.744	2
57	MP4A	Mx	.004	2
58	MP4B	X	7.358	2
59	MP4B	Z	12.744	2
60	MP4B	Mx	.004	2
61	MP4C	X	5.614	2
62	MP4C	Z	9.724	2
63	MP4C	Mx	-.006	2
64	MP2A	X	7.137	2
65	MP2A	Z	12.361	2
66	MP2A	Mx	.004	2
67	MP2B	X	7.137	2
68	MP2B	Z	12.361	2
69	MP2B	Mx	.004	2
70	MP2C	X	4.73	2
71	MP2C	Z	8.193	2
72	MP2C	Mx	-.005	2
73	MP3A	X	4.167	2
74	MP3A	Z	7.217	2
75	MP3A	Mx	.002	2
76	MP3B	X	4.167	2
77	MP3B	Z	7.217	2

Member Point Loads (BLC 20 : Antenna Wi (150 Deg)) (Continued)

	Member Label	Direction	Magnitude[lb.k-ft]	Location[ft,%]
78	MP3B	Mx	.002	2
79	MP3C	X	2.732	2
80	MP3C	Z	4.731	2
81	MP3C	Mx	-.003	2
82	OVP1	X	13.451	1
83	OVP1	Z	23.299	1
84	OVP1	Mx	0	1
85	MP1A	X	17.488	.5
86	MP1A	Z	30.29	.5
87	MP1A	Mx	-.009	.5
88	MP1A	X	17.488	5
89	MP1A	Z	30.29	5
90	MP1A	Mx	-.009	5
91	MP1B	X	17.488	.5
92	MP1B	Z	30.29	.5
93	MP1B	Mx	-.009	.5
94	MP1B	X	17.488	5
95	MP1B	Z	30.29	5
96	MP1B	Mx	-.009	5
97	MP1C	X	16.172	.5
98	MP1C	Z	28.011	.5
99	MP1C	Mx	.016	.5
100	MP1C	X	16.172	5
101	MP1C	Z	28.011	5
102	MP1C	Mx	.016	5
103	OVP2	X	13.451	1
104	OVP2	Z	23.299	1
105	OVP2	Mx	0	1

Member Point Loads (BLC 21 : Antenna Wi (180 Deg))

	Member Label	Direction	Magnitude[lb.k-ft]	Location[ft,%]
1	MP3A	X	0	.5
2	MP3A	Z	30.65	.5
3	MP3A	Mx	-.02	.5
4	MP3A	X	0	5
5	MP3A	Z	30.65	5
6	MP3A	Mx	-.02	5
7	MP3B	X	0	.5
8	MP3B	Z	23.778	.5
9	MP3B	Mx	-.002	.5
10	MP3B	X	0	5
11	MP3B	Z	23.778	5
12	MP3B	Mx	-.002	5
13	MP3C	X	0	.5
14	MP3C	Z	23.778	.5
15	MP3C	Mx	.018	.5
16	MP3C	X	0	5
17	MP3C	Z	23.778	5
18	MP3C	Mx	.018	5
19	MP3A	X	0	.5
20	MP3A	Z	30.65	.5
21	MP3A	Mx	.02	.5
22	MP3A	X	0	5
23	MP3A	Z	30.65	5
24	MP3A	Mx	.02	5
25	MP3B	X	0	.5
26	MP3B	Z	23.778	.5
27	MP3B	Mx	-.018	.5

Member Point Loads (BLC 21 : Antenna Wi (180 Deg)) (Continued)

	Member Label	Direction	Magnitude[lb.k-ft]	Location[ft,%]
28	MP3B	X	0	5
29	MP3B	Z	23.778	5
30	MP3B	Mx	-.018	5
31	MP3C	X	0	.5
32	MP3C	Z	23.778	.5
33	MP3C	Mx	.002	.5
34	MP3C	X	0	5
35	MP3C	Z	23.778	5
36	MP3C	Mx	.002	5
37	MP5A	X	0	1.75
38	MP5A	Z	18.406	1.75
39	MP5A	Mx	0	1.75
40	MP5A	X	0	3.75
41	MP5A	Z	18.406	3.75
42	MP5A	Mx	0	3.75
43	MP5B	X	0	1.75
44	MP5B	Z	10.694	1.75
45	MP5B	Mx	-.005	1.75
46	MP5B	X	0	3.75
47	MP5B	Z	10.694	3.75
48	MP5B	Mx	-.005	3.75
49	MP5C	X	0	1.75
50	MP5C	Z	10.694	1.75
51	MP5C	Mx	.005	1.75
52	MP5C	X	0	3.75
53	MP5C	Z	10.694	3.75
54	MP5C	Mx	.005	3.75
55	MP4A	X	0	2
56	MP4A	Z	15.878	2
57	MP4A	Mx	0	2
58	MP4B	X	0	2
59	MP4B	Z	12.39	2
60	MP4B	Mx	.005	2
61	MP4C	X	0	2
62	MP4C	Z	12.39	2
63	MP4C	Mx	-.005	2
64	MP2A	X	0	2
65	MP2A	Z	15.878	2
66	MP2A	Mx	0	2
67	MP2B	X	0	2
68	MP2B	Z	11.065	2
69	MP2B	Mx	.005	2
70	MP2C	X	0	2
71	MP2C	Z	11.065	2
72	MP2C	Mx	-.005	2
73	MP3A	X	0	2
74	MP3A	Z	9.29	2
75	MP3A	Mx	0	2
76	MP3B	X	0	2
77	MP3B	Z	6.42	2
78	MP3B	Mx	.003	2
79	MP3C	X	0	2
80	MP3C	Z	6.42	2
81	MP3C	Mx	-.003	2
82	OVP1	X	0	1
83	OVP1	Z	30.271	1
84	OVP1	Mx	0	1
85	MP1A	X	0	.5
86	MP1A	Z	35.853	.5

Member Point Loads (BLC 21 : Antenna Wi (180 Deg)) (Continued)

	Member Label	Direction	Magnitude[lb.k-ft]	Location[ft.%]
87	MP1A	Mx	0	.5
88	MP1A	X	0	5
89	MP1A	Z	35.853	5
90	MP1A	Mx	0	5
91	MP1B	X	0	.5
92	MP1B	Z	33.222	.5
93	MP1B	Mx	-.014	.5
94	MP1B	X	0	5
95	MP1B	Z	33.222	5
96	MP1B	Mx	-.014	5
97	MP1C	X	0	.5
98	MP1C	Z	33.222	.5
99	MP1C	Mx	.014	.5
100	MP1C	X	0	5
101	MP1C	Z	33.222	5
102	MP1C	Mx	.014	5
103	OVP2	X	0	1
104	OVP2	Z	30.271	1
105	OVP2	Mx	0	1

Member Point Loads (BLC 22 : Antenna Wi (210 Deg))

	Member Label	Direction	Magnitude[lb.k-ft]	Location[ft.%]
1	MP3A	X	-14.18	.5
2	MP3A	Z	24.56	.5
3	MP3A	Mx	-.009	.5
4	MP3A	X	-14.18	5
5	MP3A	Z	24.56	5
6	MP3A	Mx	-.009	5
7	MP3B	X	-10.744	.5
8	MP3B	Z	18.609	.5
9	MP3B	Mx	-.011	.5
10	MP3B	X	-10.744	5
11	MP3B	Z	18.609	5
12	MP3B	Mx	-.011	5
13	MP3C	X	-14.18	.5
14	MP3C	Z	24.56	.5
15	MP3C	Mx	.023	.5
16	MP3C	X	-14.18	5
17	MP3C	Z	24.56	5
18	MP3C	Mx	.023	5
19	MP3A	X	-14.18	.5
20	MP3A	Z	24.56	.5
21	MP3A	Mx	.023	.5
22	MP3A	X	-14.18	5
23	MP3A	Z	24.56	5
24	MP3A	Mx	.023	5
25	MP3B	X	-10.744	.5
26	MP3B	Z	18.609	.5
27	MP3B	Mx	-.011	.5
28	MP3B	X	-10.744	5
29	MP3B	Z	18.609	5
30	MP3B	Mx	-.011	5
31	MP3C	X	-14.18	.5
32	MP3C	Z	24.56	.5
33	MP3C	Mx	-.009	.5
34	MP3C	X	-14.18	5
35	MP3C	Z	24.56	5
36	MP3C	Mx	-.009	5

Member Point Loads (BLC 22 : Antenna Wi (210 Deg)) (Continued)

	Member Label	Direction	Magnitude[lb.k-ft]	Location[ft.%]
37	MP5A	X	-7.918	1.75
38	MP5A	Z	13.714	1.75
39	MP5A	Mx	.004	1.75
40	MP5A	X	-7.918	3.75
41	MP5A	Z	13.714	3.75
42	MP5A	Mx	.004	3.75
43	MP5B	X	-4.062	1.75
44	MP5B	Z	7.036	1.75
45	MP5B	Mx	-.004	1.75
46	MP5B	X	-4.062	3.75
47	MP5B	Z	7.036	3.75
48	MP5B	Mx	-.004	3.75
49	MP5C	X	-7.918	1.75
50	MP5C	Z	13.714	1.75
51	MP5C	Mx	.004	1.75
52	MP5C	X	-7.918	3.75
53	MP5C	Z	13.714	3.75
54	MP5C	Mx	.004	3.75
55	MP4A	X	-7.358	2
56	MP4A	Z	12.744	2
57	MP4A	Mx	-.004	2
58	MP4B	X	-5.614	2
59	MP4B	Z	9.724	2
60	MP4B	Mx	.006	2
61	MP4C	X	-7.358	2
62	MP4C	Z	12.744	2
63	MP4C	Mx	-.004	2
64	MP2A	X	-7.137	2
65	MP2A	Z	12.361	2
66	MP2A	Mx	-.004	2
67	MP2B	X	-4.73	2
68	MP2B	Z	8.193	2
69	MP2B	Mx	.005	2
70	MP2C	X	-7.137	2
71	MP2C	Z	12.361	2
72	MP2C	Mx	-.004	2
73	MP3A	X	-4.167	2
74	MP3A	Z	7.217	2
75	MP3A	Mx	-.002	2
76	MP3B	X	-2.732	2
77	MP3B	Z	4.731	2
78	MP3B	Mx	.003	2
79	MP3C	X	-4.167	2
80	MP3C	Z	7.217	2
81	MP3C	Mx	-.002	2
82	OVP1	X	-15.978	1
83	OVP1	Z	27.674	1
84	OVP1	Mx	0	1
85	MP1A	X	-17.488	.5
86	MP1A	Z	30.29	.5
87	MP1A	Mx	.009	.5
88	MP1A	X	-17.488	5
89	MP1A	Z	30.29	5
90	MP1A	Mx	.009	5
91	MP1B	X	-16.172	.5
92	MP1B	Z	28.011	.5
93	MP1B	Mx	-.016	.5
94	MP1B	X	-16.172	5
95	MP1B	Z	28.011	5

Member Point Loads (BLC 22 : Antenna Wi (210 Deg)) (Continued)

	Member Label	Direction	Magnitude[lb.k-ft]	Location[ft.%]
96	MP1B	Mx	-.016	5
97	MP1C	X	-17.488	.5
98	MP1C	Z	30.29	.5
99	MP1C	Mx	.009	.5
100	MP1C	X	-17.488	5
101	MP1C	Z	30.29	5
102	MP1C	Mx	.009	5
103	OVP2	X	-15.978	1
104	OVP2	Z	27.674	1
105	OVP2	Mx	0	1

Member Point Loads (BLC 23 : Antenna Wi (240 Deg))

	Member Label	Direction	Magnitude[lb.k-ft]	Location[ft.%]
1	MP3A	X	-20.592	.5
2	MP3A	Z	11.889	.5
3	MP3A	Mx	.002	.5
4	MP3A	X	-20.592	5
5	MP3A	Z	11.889	5
6	MP3A	Mx	.002	5
7	MP3B	X	-20.592	.5
8	MP3B	Z	11.889	.5
9	MP3B	Mx	-.018	.5
10	MP3B	X	-20.592	5
11	MP3B	Z	11.889	5
12	MP3B	Mx	-.018	5
13	MP3C	X	-26.543	.5
14	MP3C	Z	15.325	.5
15	MP3C	Mx	.02	.5
16	MP3C	X	-26.543	5
17	MP3C	Z	15.325	5
18	MP3C	Mx	.02	5
19	MP3A	X	-20.592	.5
20	MP3A	Z	11.889	.5
21	MP3A	Mx	.018	.5
22	MP3A	X	-20.592	5
23	MP3A	Z	11.889	5
24	MP3A	Mx	.018	5
25	MP3B	X	-20.592	.5
26	MP3B	Z	11.889	.5
27	MP3B	Mx	-.002	.5
28	MP3B	X	-20.592	5
29	MP3B	Z	11.889	5
30	MP3B	Mx	-.002	5
31	MP3C	X	-26.543	.5
32	MP3C	Z	15.325	.5
33	MP3C	Mx	-.02	.5
34	MP3C	X	-26.543	5
35	MP3C	Z	15.325	5
36	MP3C	Mx	-.02	5
37	MP5A	X	-9.262	1.75
38	MP5A	Z	5.347	1.75
39	MP5A	Mx	.005	1.75
40	MP5A	X	-9.262	3.75
41	MP5A	Z	5.347	3.75
42	MP5A	Mx	.005	3.75
43	MP5B	X	-9.262	1.75
44	MP5B	Z	5.347	1.75
45	MP5B	Mx	-.005	1.75

Member Point Loads (BLC 23 : Antenna Wi (240 Deg)) (Continued)

	Member Label	Direction	Magnitude[lb.k-ft]	Location[ft.%]
46	MP5B	X	-9.262	3.75
47	MP5B	Z	5.347	3.75
48	MP5B	Mx	-.005	3.75
49	MP5C	X	-15.94	1.75
50	MP5C	Z	9.203	1.75
51	MP5C	Mx	0	1.75
52	MP5C	X	-15.94	3.75
53	MP5C	Z	9.203	3.75
54	MP5C	Mx	0	3.75
55	MP4A	X	-10.73	2
56	MP4A	Z	6.195	2
57	MP4A	Mx	-.005	2
58	MP4B	X	-10.73	2
59	MP4B	Z	6.195	2
60	MP4B	Mx	.005	2
61	MP4C	X	-13.751	2
62	MP4C	Z	7.939	2
63	MP4C	Mx	0	2
64	MP2A	X	-9.583	2
65	MP2A	Z	5.533	2
66	MP2A	Mx	-.005	2
67	MP2B	X	-9.583	2
68	MP2B	Z	5.533	2
69	MP2B	Mx	.005	2
70	MP2C	X	-13.751	2
71	MP2C	Z	7.939	2
72	MP2C	Mx	0	2
73	MP3A	X	-5.56	2
74	MP3A	Z	3.21	2
75	MP3A	Mx	-.003	2
76	MP3B	X	-5.56	2
77	MP3B	Z	3.21	2
78	MP3B	Mx	.003	2
79	MP3C	X	-8.045	2
80	MP3C	Z	4.645	2
81	MP3C	Mx	0	2
82	OVP1	X	-26.216	1
83	OVP1	Z	15.136	1
84	OVP1	Mx	0	1
85	MP1A	X	-28.771	.5
86	MP1A	Z	16.611	.5
87	MP1A	Mx	.014	.5
88	MP1A	X	-28.771	5
89	MP1A	Z	16.611	5
90	MP1A	Mx	.014	5
91	MP1B	X	-28.771	.5
92	MP1B	Z	16.611	.5
93	MP1B	Mx	-.014	.5
94	MP1B	X	-28.771	5
95	MP1B	Z	16.611	5
96	MP1B	Mx	-.014	5
97	MP1C	X	-31.05	.5
98	MP1C	Z	17.926	.5
99	MP1C	Mx	0	.5
100	MP1C	X	-31.05	5
101	MP1C	Z	17.926	5
102	MP1C	Mx	0	5
103	OVP2	X	-26.216	1
104	OVP2	Z	15.136	1

Member Point Loads (BLC 23 : Antenna Wi (240 Deg)) (Continued)

	Member Label	Direction	Magnitude[lb.k-ft]	Location[ft.%]
105	OVP2	Mx	0	1

Member Point Loads (BLC 24 : Antenna Wi (270 Deg))

	Member Label	Direction	Magnitude[lb.k-ft]	Location[ft.%]
1	MP3A	X	-21.488	.5
2	MP3A	Z	0	.5
3	MP3A	Mx	.011	.5
4	MP3A	X	-21.488	5
5	MP3A	Z	0	5
6	MP3A	Mx	.011	5
7	MP3B	X	-28.359	.5
8	MP3B	Z	0	.5
9	MP3B	Mx	-.023	.5
10	MP3B	X	-28.359	5
11	MP3B	Z	0	5
12	MP3B	Mx	-.023	5
13	MP3C	X	-28.359	.5
14	MP3C	Z	0	.5
15	MP3C	Mx	.009	.5
16	MP3C	X	-28.359	5
17	MP3C	Z	0	5
18	MP3C	Mx	.009	5
19	MP3A	X	-21.488	.5
20	MP3A	Z	0	.5
21	MP3A	Mx	.011	.5
22	MP3A	X	-21.488	5
23	MP3A	Z	0	5
24	MP3A	Mx	.011	5
25	MP3B	X	-28.359	.5
26	MP3B	Z	0	.5
27	MP3B	Mx	.009	.5
28	MP3B	X	-28.359	5
29	MP3B	Z	0	5
30	MP3B	Mx	.009	5
31	MP3C	X	-28.359	.5
32	MP3C	Z	0	.5
33	MP3C	Mx	-.023	.5
34	MP3C	X	-28.359	5
35	MP3C	Z	0	5
36	MP3C	Mx	-.023	5
37	MP5A	X	-8.124	1.75
38	MP5A	Z	0	1.75
39	MP5A	Mx	.004	1.75
40	MP5A	X	-8.124	3.75
41	MP5A	Z	0	3.75
42	MP5A	Mx	.004	3.75
43	MP5B	X	-15.835	1.75
44	MP5B	Z	0	1.75
45	MP5B	Mx	-.004	1.75
46	MP5B	X	-15.835	3.75
47	MP5B	Z	0	3.75
48	MP5B	Mx	-.004	3.75
49	MP5C	X	-15.835	1.75
50	MP5C	Z	0	1.75
51	MP5C	Mx	-.004	1.75
52	MP5C	X	-15.835	3.75
53	MP5C	Z	0	3.75
54	MP5C	Mx	-.004	3.75

Member Point Loads (BLC 24 : Antenna Wi (270 Deg)) (Continued)

	Member Label	Direction	Magnitude[lb.k-ft]	Location[ft,%]
55	MP4A	X	-11.228	2
56	MP4A	Z	0	2
57	MP4A	Mx	-.006	2
58	MP4B	X	-14.716	2
59	MP4B	Z	0	2
60	MP4B	Mx	.004	2
61	MP4C	X	-14.716	2
62	MP4C	Z	0	2
63	MP4C	Mx	.004	2
64	MP2A	X	-9.461	2
65	MP2A	Z	0	2
66	MP2A	Mx	-.005	2
67	MP2B	X	-14.274	2
68	MP2B	Z	0	2
69	MP2B	Mx	.004	2
70	MP2C	X	-14.274	2
71	MP2C	Z	0	2
72	MP2C	Mx	.004	2
73	MP3A	X	-5.463	2
74	MP3A	Z	0	2
75	MP3A	Mx	-.003	2
76	MP3B	X	-8.333	2
77	MP3B	Z	0	2
78	MP3B	Mx	.002	2
79	MP3C	X	-8.333	2
80	MP3C	Z	0	2
81	MP3C	Mx	.002	2
82	OVP1	X	-26.903	1
83	OVP1	Z	0	1
84	OVP1	Mx	0	1
85	MP1A	X	-32.345	.5
86	MP1A	Z	0	.5
87	MP1A	Mx	.016	.5
88	MP1A	X	-32.345	5
89	MP1A	Z	0	5
90	MP1A	Mx	.016	5
91	MP1B	X	-34.976	.5
92	MP1B	Z	0	.5
93	MP1B	Mx	-.009	.5
94	MP1B	X	-34.976	5
95	MP1B	Z	0	5
96	MP1B	Mx	-.009	5
97	MP1C	X	-34.976	.5
98	MP1C	Z	0	.5
99	MP1C	Mx	-.009	.5
100	MP1C	X	-34.976	5
101	MP1C	Z	0	5
102	MP1C	Mx	-.009	5
103	OVP2	X	-26.903	1
104	OVP2	Z	0	1
105	OVP2	Mx	0	1

Member Point Loads (BLC 25 : Antenna Wi (300 Deg))

	Member Label	Direction	Magnitude[lb.k-ft]	Location[ft,%]
1	MP3A	X	-20.592	.5
2	MP3A	Z	-11.889	.5
3	MP3A	Mx	.018	.5
4	MP3A	X	-20.592	5

Member Point Loads (BLC 25 : Antenna Wi (300 Deg)) (Continued)

	Member Label	Direction	Magnitude[lb.k-ft]	Location[ft.%]
5	MP3A	Z	-11.889	5
6	MP3A	Mx	.018	5
7	MP3B	X	-26.543	.5
8	MP3B	Z	-15.325	.5
9	MP3B	Mx	-.02	.5
10	MP3B	X	-26.543	5
11	MP3B	Z	-15.325	5
12	MP3B	Mx	-.02	5
13	MP3C	X	-20.592	.5
14	MP3C	Z	-11.889	.5
15	MP3C	Mx	-.002	.5
16	MP3C	X	-20.592	5
17	MP3C	Z	-11.889	5
18	MP3C	Mx	-.002	5
19	MP3A	X	-20.592	.5
20	MP3A	Z	-11.889	.5
21	MP3A	Mx	.002	.5
22	MP3A	X	-20.592	5
23	MP3A	Z	-11.889	5
24	MP3A	Mx	.002	5
25	MP3B	X	-26.543	.5
26	MP3B	Z	-15.325	.5
27	MP3B	Mx	.02	.5
28	MP3B	X	-26.543	5
29	MP3B	Z	-15.325	5
30	MP3B	Mx	.02	5
31	MP3C	X	-20.592	.5
32	MP3C	Z	-11.889	.5
33	MP3C	Mx	-.018	.5
34	MP3C	X	-20.592	5
35	MP3C	Z	-11.889	5
36	MP3C	Mx	-.018	5
37	MP5A	X	-9.262	1.75
38	MP5A	Z	-5.347	1.75
39	MP5A	Mx	.005	1.75
40	MP5A	X	-9.262	3.75
41	MP5A	Z	-5.347	3.75
42	MP5A	Mx	.005	3.75
43	MP5B	X	-15.94	1.75
44	MP5B	Z	-9.203	1.75
45	MP5B	Mx	0	1.75
46	MP5B	X	-15.94	3.75
47	MP5B	Z	-9.203	3.75
48	MP5B	Mx	0	3.75
49	MP5C	X	-9.262	1.75
50	MP5C	Z	-5.347	1.75
51	MP5C	Mx	-.005	1.75
52	MP5C	X	-9.262	3.75
53	MP5C	Z	-5.347	3.75
54	MP5C	Mx	-.005	3.75
55	MP4A	X	-10.73	2
56	MP4A	Z	-6.195	2
57	MP4A	Mx	-.005	2
58	MP4B	X	-13.751	2
59	MP4B	Z	-7.939	2
60	MP4B	Mx	0	2
61	MP4C	X	-10.73	2
62	MP4C	Z	-6.195	2
63	MP4C	Mx	.005	2

Member Point Loads (BLC 25 : Antenna Wi (300 Deg)) (Continued)

	Member Label	Direction	Magnitude[lb.k-ft]	Location[ft.%]
64	MP2A	X	-9.583	2
65	MP2A	Z	-5.533	2
66	MP2A	Mx	-.005	2
67	MP2B	X	-13.751	2
68	MP2B	Z	-7.939	2
69	MP2B	Mx	0	2
70	MP2C	X	-9.583	2
71	MP2C	Z	-5.533	2
72	MP2C	Mx	.005	2
73	MP3A	X	-5.56	2
74	MP3A	Z	-3.21	2
75	MP3A	Mx	-.003	2
76	MP3B	X	-8.045	2
77	MP3B	Z	-4.645	2
78	MP3B	Mx	0	2
79	MP3C	X	-5.56	2
80	MP3C	Z	-3.21	2
81	MP3C	Mx	.003	2
82	OVP1	X	-21.84	1
83	OVP1	Z	-12.609	1
84	OVP1	Mx	0	1
85	MP1A	X	-28.771	.5
86	MP1A	Z	-16.611	.5
87	MP1A	Mx	.014	.5
88	MP1A	X	-28.771	5
89	MP1A	Z	-16.611	5
90	MP1A	Mx	.014	5
91	MP1B	X	-31.05	.5
92	MP1B	Z	-17.926	.5
93	MP1B	Mx	0	.5
94	MP1B	X	-31.05	5
95	MP1B	Z	-17.926	5
96	MP1B	Mx	0	5
97	MP1C	X	-28.771	.5
98	MP1C	Z	-16.611	.5
99	MP1C	Mx	-.014	.5
100	MP1C	X	-28.771	5
101	MP1C	Z	-16.611	5
102	MP1C	Mx	-.014	5
103	OVP2	X	-21.84	1
104	OVP2	Z	-12.609	1
105	OVP2	Mx	0	1

Member Point Loads (BLC 26 : Antenna Wi (330 Deg))

	Member Label	Direction	Magnitude[lb.k-ft]	Location[ft.%]
1	MP3A	X	-14.18	.5
2	MP3A	Z	-24.56	.5
3	MP3A	Mx	.023	.5
4	MP3A	X	-14.18	5
5	MP3A	Z	-24.56	5
6	MP3A	Mx	.023	5
7	MP3B	X	-14.18	.5
8	MP3B	Z	-24.56	.5
9	MP3B	Mx	-.009	.5
10	MP3B	X	-14.18	5
11	MP3B	Z	-24.56	5
12	MP3B	Mx	-.009	5
13	MP3C	X	-10.744	.5

Member Point Loads (BLC 26 : Antenna Wi (330 Deg)) (Continued)

	Member Label	Direction	Magnitude[lb.k-ft]	Location[ft.%]
14	MP3C	Z	-18.609	.5
15	MP3C	Mx	-.011	.5
16	MP3C	X	-10.744	5
17	MP3C	Z	-18.609	5
18	MP3C	Mx	-.011	5
19	MP3A	X	-14.18	.5
20	MP3A	Z	-24.56	.5
21	MP3A	Mx	-.009	.5
22	MP3A	X	-14.18	5
23	MP3A	Z	-24.56	5
24	MP3A	Mx	-.009	5
25	MP3B	X	-14.18	.5
26	MP3B	Z	-24.56	.5
27	MP3B	Mx	.023	.5
28	MP3B	X	-14.18	5
29	MP3B	Z	-24.56	5
30	MP3B	Mx	.023	5
31	MP3C	X	-10.744	.5
32	MP3C	Z	-18.609	.5
33	MP3C	Mx	-.011	.5
34	MP3C	X	-10.744	5
35	MP3C	Z	-18.609	5
36	MP3C	Mx	-.011	5
37	MP5A	X	-7.918	1.75
38	MP5A	Z	-13.714	1.75
39	MP5A	Mx	.004	1.75
40	MP5A	X	-7.918	3.75
41	MP5A	Z	-13.714	3.75
42	MP5A	Mx	.004	3.75
43	MP5B	X	-7.918	1.75
44	MP5B	Z	-13.714	1.75
45	MP5B	Mx	.004	1.75
46	MP5B	X	-7.918	3.75
47	MP5B	Z	-13.714	3.75
48	MP5B	Mx	.004	3.75
49	MP5C	X	-4.062	1.75
50	MP5C	Z	-7.036	1.75
51	MP5C	Mx	-.004	1.75
52	MP5C	X	-4.062	3.75
53	MP5C	Z	-7.036	3.75
54	MP5C	Mx	-.004	3.75
55	MP4A	X	-7.358	2
56	MP4A	Z	-12.744	2
57	MP4A	Mx	-.004	2
58	MP4B	X	-7.358	2
59	MP4B	Z	-12.744	2
60	MP4B	Mx	-.004	2
61	MP4C	X	-5.614	2
62	MP4C	Z	-9.724	2
63	MP4C	Mx	.006	2
64	MP2A	X	-7.137	2
65	MP2A	Z	-12.361	2
66	MP2A	Mx	-.004	2
67	MP2B	X	-7.137	2
68	MP2B	Z	-12.361	2
69	MP2B	Mx	-.004	2
70	MP2C	X	-4.73	2
71	MP2C	Z	-8.193	2
72	MP2C	Mx	.005	2

Member Point Loads (BLC 26 : Antenna Wi (330 Deg)) (Continued)

	Member Label	Direction	Magnitude[lb.k-ft]	Location[ft.%]
73	MP3A	X	-4.167	2
74	MP3A	Z	-7.217	2
75	MP3A	Mx	-.002	2
76	MP3B	X	-4.167	2
77	MP3B	Z	-7.217	2
78	MP3B	Mx	-.002	2
79	MP3C	X	-2.732	2
80	MP3C	Z	-4.731	2
81	MP3C	Mx	.003	2
82	OVP1	X	-13.451	1
83	OVP1	Z	-23.299	1
84	OVP1	Mx	0	1
85	MP1A	X	-17.488	.5
86	MP1A	Z	-30.29	.5
87	MP1A	Mx	.009	.5
88	MP1A	X	-17.488	5
89	MP1A	Z	-30.29	5
90	MP1A	Mx	.009	5
91	MP1B	X	-17.488	.5
92	MP1B	Z	-30.29	.5
93	MP1B	Mx	.009	.5
94	MP1B	X	-17.488	5
95	MP1B	Z	-30.29	5
96	MP1B	Mx	.009	5
97	MP1C	X	-16.172	.5
98	MP1C	Z	-28.011	.5
99	MP1C	Mx	-.016	.5
100	MP1C	X	-16.172	5
101	MP1C	Z	-28.011	5
102	MP1C	Mx	-.016	5
103	OVP2	X	-13.451	1
104	OVP2	Z	-23.299	1
105	OVP2	Mx	0	1

Member Point Loads (BLC 27 : Antenna Wm (0 Deg))

	Member Label	Direction	Magnitude[lb.k-ft]	Location[ft.%]
1	MP3A	X	0	.5
2	MP3A	Z	-6.448	.5
3	MP3A	Mx	.004	.5
4	MP3A	X	0	5
5	MP3A	Z	-6.448	5
6	MP3A	Mx	.004	5
7	MP3B	X	0	.5
8	MP3B	Z	-3.687	.5
9	MP3B	Mx	.000368	.5
10	MP3B	X	0	5
11	MP3B	Z	-3.687	5
12	MP3B	Mx	.000368	5
13	MP3C	X	0	.5
14	MP3C	Z	-3.687	.5
15	MP3C	Mx	-.003	.5
16	MP3C	X	0	5
17	MP3C	Z	-3.687	5
18	MP3C	Mx	-.003	5
19	MP3A	X	0	.5
20	MP3A	Z	-9.56	.5
21	MP3A	Mx	-.006	.5
22	MP3A	X	0	5

Member Point Loads (BLC 27 : Antenna Wm (0 Deg)) (Continued)

	Member Label	Direction	Magnitude[lb.k-ft]	Location[ft.%]
23	MP3A	Z	-9.56	5
24	MP3A	Mx	-0.006	5
25	MP3B	X	0	.5
26	MP3B	Z	-7.148	.5
27	MP3B	Mx	.005	.5
28	MP3B	X	0	5
29	MP3B	Z	-7.148	5
30	MP3B	Mx	.005	5
31	MP3C	X	0	.5
32	MP3C	Z	-7.148	.5
33	MP3C	Mx	-0.000713	.5
34	MP3C	X	0	5
35	MP3C	Z	-7.148	5
36	MP3C	Mx	-0.000713	5
37	MP5A	X	0	1.75
38	MP5A	Z	-4.655	1.75
39	MP5A	Mx	0	1.75
40	MP5A	X	0	3.75
41	MP5A	Z	-4.655	3.75
42	MP5A	Mx	0	3.75
43	MP5B	X	0	1.75
44	MP5B	Z	-2.366	1.75
45	MP5B	Mx	.001	1.75
46	MP5B	X	0	3.75
47	MP5B	Z	-2.366	3.75
48	MP5B	Mx	.001	3.75
49	MP5C	X	0	1.75
50	MP5C	Z	-2.366	1.75
51	MP5C	Mx	-.001	1.75
52	MP5C	X	0	3.75
53	MP5C	Z	-2.366	3.75
54	MP5C	Mx	-.001	3.75
55	MP4A	X	0	2
56	MP4A	Z	-3.681	2
57	MP4A	Mx	0	2
58	MP4B	X	0	2
59	MP4B	Z	-2.773	2
60	MP4B	Mx	-.001	2
61	MP4C	X	0	2
62	MP4C	Z	-2.773	2
63	MP4C	Mx	.001	2
64	MP2A	X	0	2
65	MP2A	Z	-3.681	2
66	MP2A	Mx	0	2
67	MP2B	X	0	2
68	MP2B	Z	-2.435	2
69	MP2B	Mx	-.001	2
70	MP2C	X	0	2
71	MP2C	Z	-2.435	2
72	MP2C	Mx	.001	2
73	MP3A	X	0	2
74	MP3A	Z	-1.71	2
75	MP3A	Mx	0	2
76	MP3B	X	0	2
77	MP3B	Z	-1.033	2
78	MP3B	Mx	-0.000447	2
79	MP3C	X	0	2
80	MP3C	Z	-1.033	2
81	MP3C	Mx	.000447	2

Member Point Loads (BLC 27 : Antenna Wm (0 Deg)) (Continued)

	Member Label	Direction	Magnitude[lb.k-ft]	Location[ft,%]
82	OVP1	X	0	1
83	OVP1	Z	-7.078	1
84	OVP1	Mx	0	1
85	MP1A	X	0	.5
86	MP1A	Z	-11.401	.5
87	MP1A	Mx	0	.5
88	MP1A	X	0	5
89	MP1A	Z	-11.401	5
90	MP1A	Mx	0	5
91	MP1B	X	0	.5
92	MP1B	Z	-10.487	.5
93	MP1B	Mx	.005	.5
94	MP1B	X	0	5
95	MP1B	Z	-10.487	5
96	MP1B	Mx	.005	5
97	MP1C	X	0	.5
98	MP1C	Z	-10.487	.5
99	MP1C	Mx	-.005	.5
100	MP1C	X	0	5
101	MP1C	Z	-10.487	5
102	MP1C	Mx	-.005	5
103	OVP2	X	0	1
104	OVP2	Z	-7.078	1
105	OVP2	Mx	0	1

Member Point Loads (BLC 28 : Antenna Wm (30 Deg))

	Member Label	Direction	Magnitude[lb.k-ft]	Location[ft,%]
1	MP3A	X	2.764	.5
2	MP3A	Z	-4.787	.5
3	MP3A	Mx	.002	.5
4	MP3A	X	2.764	5
5	MP3A	Z	-4.787	5
6	MP3A	Mx	.002	5
7	MP3B	X	1.384	.5
8	MP3B	Z	-2.396	.5
9	MP3B	Mx	.001	.5
10	MP3B	X	1.384	5
11	MP3B	Z	-2.396	5
12	MP3B	Mx	.001	5
13	MP3C	X	2.764	.5
14	MP3C	Z	-4.787	.5
15	MP3C	Mx	-.005	.5
16	MP3C	X	2.764	5
17	MP3C	Z	-4.787	5
18	MP3C	Mx	-.005	5
19	MP3A	X	4.378	.5
20	MP3A	Z	-7.583	.5
21	MP3A	Mx	-.007	.5
22	MP3A	X	4.378	5
23	MP3A	Z	-7.583	5
24	MP3A	Mx	-.007	5
25	MP3B	X	3.172	.5
26	MP3B	Z	-5.494	.5
27	MP3B	Mx	.003	.5
28	MP3B	X	3.172	5
29	MP3B	Z	-5.494	5
30	MP3B	Mx	.003	5
31	MP3C	X	4.378	.5

Member Point Loads (BLC 28 : Antenna Wm (30 Deg)) (Continued)

	Member Label	Direction	Magnitude[lb.k-ft]	Location[ft.%]
32	MP3C	Z	-7.583	.5
33	MP3C	Mx	.003	.5
34	MP3C	X	4.378	5
35	MP3C	Z	-7.583	5
36	MP3C	Mx	.003	5
37	MP5A	X	1.946	1.75
38	MP5A	Z	-3.371	1.75
39	MP5A	Mx	-.000973	1.75
40	MP5A	X	1.946	3.75
41	MP5A	Z	-3.371	3.75
42	MP5A	Mx	-.000973	3.75
43	MP5B	X	.802	1.75
44	MP5B	Z	-1.388	1.75
45	MP5B	Mx	.000802	1.75
46	MP5B	X	.802	3.75
47	MP5B	Z	-1.388	3.75
48	MP5B	Mx	.000802	3.75
49	MP5C	X	1.946	1.75
50	MP5C	Z	-3.371	1.75
51	MP5C	Mx	-.000973	1.75
52	MP5C	X	1.946	3.75
53	MP5C	Z	-3.371	3.75
54	MP5C	Mx	-.000973	3.75
55	MP4A	X	1.689	2
56	MP4A	Z	-2.926	2
57	MP4A	Mx	.000844	2
58	MP4B	X	1.235	2
59	MP4B	Z	-2.139	2
60	MP4B	Mx	-.001	2
61	MP4C	X	1.689	2
62	MP4C	Z	-2.926	2
63	MP4C	Mx	.000845	2
64	MP2A	X	1.633	2
65	MP2A	Z	-2.828	2
66	MP2A	Mx	.000816	2
67	MP2B	X	1.009	2
68	MP2B	Z	-1.748	2
69	MP2B	Mx	-.001	2
70	MP2C	X	1.633	2
71	MP2C	Z	-2.828	2
72	MP2C	Mx	.000816	2
73	MP3A	X	.742	2
74	MP3A	Z	-1.286	2
75	MP3A	Mx	.000371	2
76	MP3B	X	.404	2
77	MP3B	Z	-.699	2
78	MP3B	Mx	-.000404	2
79	MP3C	X	.742	2
80	MP3C	Z	-1.286	2
81	MP3C	Mx	.000371	2
82	OVP1	X	3.765	1
83	OVP1	Z	-6.52	1
84	OVP1	Mx	0	1
85	MP1A	X	5.548	.5
86	MP1A	Z	-9.61	.5
87	MP1A	Mx	-.003	.5
88	MP1A	X	5.548	5
89	MP1A	Z	-9.61	5
90	MP1A	Mx	-.003	5

Member Point Loads (BLC 28 : Antenna Wm (30 Deg)) (Continued)

	Member Label	Direction	Magnitude[lb.k-ft]	Location[ft,%]
91	MP1B	X	5.092	.5
92	MP1B	Z	-8.819	.5
93	MP1B	Mx	.005	.5
94	MP1B	X	5.092	5
95	MP1B	Z	-8.819	5
96	MP1B	Mx	.005	5
97	MP1C	X	5.548	.5
98	MP1C	Z	-9.61	.5
99	MP1C	Mx	-.003	.5
100	MP1C	X	5.548	5
101	MP1C	Z	-9.61	5
102	MP1C	Mx	-.003	5
103	OVP2	X	3.765	1
104	OVP2	Z	-6.52	1
105	OVP2	Mx	0	1

Member Point Loads (BLC 29 : Antenna Wm (60 Deg))

	Member Label	Direction	Magnitude[lb.k-ft]	Location[ft,%]
1	MP3A	X	3.193	.5
2	MP3A	Z	-1.844	.5
3	MP3A	Mx	-.000367	.5
4	MP3A	X	3.193	5
5	MP3A	Z	-1.844	5
6	MP3A	Mx	-.000367	5
7	MP3B	X	3.193	.5
8	MP3B	Z	-1.844	.5
9	MP3B	Mx	.003	.5
10	MP3B	X	3.193	5
11	MP3B	Z	-1.844	5
12	MP3B	Mx	.003	5
13	MP3C	X	5.585	.5
14	MP3C	Z	-3.224	.5
15	MP3C	Mx	-.004	.5
16	MP3C	X	5.585	5
17	MP3C	Z	-3.224	5
18	MP3C	Mx	-.004	5
19	MP3A	X	6.19	.5
20	MP3A	Z	-3.574	.5
21	MP3A	Mx	-.005	.5
22	MP3A	X	6.19	5
23	MP3A	Z	-3.574	5
24	MP3A	Mx	-.005	5
25	MP3B	X	6.19	.5
26	MP3B	Z	-3.574	.5
27	MP3B	Mx	.000713	.5
28	MP3B	X	6.19	5
29	MP3B	Z	-3.574	5
30	MP3B	Mx	.000713	5
31	MP3C	X	8.279	.5
32	MP3C	Z	-4.78	.5
33	MP3C	Mx	.006	.5
34	MP3C	X	8.279	5
35	MP3C	Z	-4.78	5
36	MP3C	Mx	.006	5
37	MP5A	X	2.049	1.75
38	MP5A	Z	-1.183	1.75
39	MP5A	Mx	-.001	1.75
40	MP5A	X	2.049	3.75

Member Point Loads (BLC 29 : Antenna Wm (60 Deg)) (Continued)

	Member Label	Direction	Magnitude[lb.k-ft]	Location[ft.%]
41	MP5A	Z	-1.183	3.75
42	MP5A	Mx	-.001	3.75
43	MP5B	X	2.049	1.75
44	MP5B	Z	-1.183	1.75
45	MP5B	Mx	.001	1.75
46	MP5B	X	2.049	3.75
47	MP5B	Z	-1.183	3.75
48	MP5B	Mx	.001	3.75
49	MP5C	X	4.032	1.75
50	MP5C	Z	-2.328	1.75
51	MP5C	Mx	0	1.75
52	MP5C	X	4.032	3.75
53	MP5C	Z	-2.328	3.75
54	MP5C	Mx	0	3.75
55	MP4A	X	2.401	2
56	MP4A	Z	-1.386	2
57	MP4A	Mx	.001	2
58	MP4B	X	2.401	2
59	MP4B	Z	-1.386	2
60	MP4B	Mx	-.001	2
61	MP4C	X	3.188	2
62	MP4C	Z	-1.841	2
63	MP4C	Mx	0	2
64	MP2A	X	2.108	2
65	MP2A	Z	-1.217	2
66	MP2A	Mx	.001	2
67	MP2B	X	2.108	2
68	MP2B	Z	-1.217	2
69	MP2B	Mx	-.001	2
70	MP2C	X	3.188	2
71	MP2C	Z	-1.841	2
72	MP2C	Mx	0	2
73	MP3A	X	.895	2
74	MP3A	Z	-.517	2
75	MP3A	Mx	.000448	2
76	MP3B	X	.895	2
77	MP3B	Z	-.517	2
78	MP3B	Mx	-.000448	2
79	MP3C	X	1.481	2
80	MP3C	Z	-.855	2
81	MP3C	Mx	0	2
82	OVP1	X	6.13	1
83	OVP1	Z	-3.539	1
84	OVP1	Mx	0	1
85	MP1A	X	9.082	.5
86	MP1A	Z	-5.244	.5
87	MP1A	Mx	-.005	.5
88	MP1A	X	9.082	5
89	MP1A	Z	-5.244	5
90	MP1A	Mx	-.005	5
91	MP1B	X	9.082	.5
92	MP1B	Z	-5.244	.5
93	MP1B	Mx	.005	.5
94	MP1B	X	9.082	5
95	MP1B	Z	-5.244	5
96	MP1B	Mx	.005	5
97	MP1C	X	9.873	.5
98	MP1C	Z	-5.7	.5
99	MP1C	Mx	0	.5

Member Point Loads (BLC 29 : Antenna Wm (60 Deg)) (Continued)

	Member Label	Direction	Magnitude[lb.k-ft]	Location[ft,%]
100	MP1C	X	9.873	5
101	MP1C	Z	-5.7	5
102	MP1C	Mx	0	5
103	OVP2	X	6.13	1
104	OVP2	Z	-3.539	1
105	OVP2	Mx	0	1

Member Point Loads (BLC 30 : Antenna Wm (90 Deg))

	Member Label	Direction	Magnitude[lb.k-ft]	Location[ft,%]
1	MP3A	X	2.767	.5
2	MP3A	Z	0	.5
3	MP3A	Mx	-.001	.5
4	MP3A	X	2.767	5
5	MP3A	Z	0	5
6	MP3A	Mx	-.001	5
7	MP3B	X	5.528	.5
8	MP3B	Z	0	.5
9	MP3B	Mx	.005	.5
10	MP3B	X	5.528	5
11	MP3B	Z	0	5
12	MP3B	Mx	.005	5
13	MP3C	X	5.528	.5
14	MP3C	Z	0	.5
15	MP3C	Mx	-.002	.5
16	MP3C	X	5.528	5
17	MP3C	Z	0	5
18	MP3C	Mx	-.002	5
19	MP3A	X	6.344	.5
20	MP3A	Z	0	.5
21	MP3A	Mx	-.003	.5
22	MP3A	X	6.344	5
23	MP3A	Z	0	5
24	MP3A	Mx	-.003	5
25	MP3B	X	8.756	.5
26	MP3B	Z	0	.5
27	MP3B	Mx	-.003	.5
28	MP3B	X	8.756	5
29	MP3B	Z	0	5
30	MP3B	Mx	-.003	5
31	MP3C	X	8.756	.5
32	MP3C	Z	0	.5
33	MP3C	Mx	.007	.5
34	MP3C	X	8.756	5
35	MP3C	Z	0	5
36	MP3C	Mx	.007	5
37	MP5A	X	1.603	1.75
38	MP5A	Z	0	1.75
39	MP5A	Mx	-.000802	1.75
40	MP5A	X	1.603	3.75
41	MP5A	Z	0	3.75
42	MP5A	Mx	-.000802	3.75
43	MP5B	X	3.892	1.75
44	MP5B	Z	0	1.75
45	MP5B	Mx	.000973	1.75
46	MP5B	X	3.892	3.75
47	MP5B	Z	0	3.75
48	MP5B	Mx	.000973	3.75
49	MP5C	X	3.892	1.75

Member Point Loads (BLC 30 : Antenna Wm (90 Deg)) (Continued)

	Member Label	Direction	Magnitude[lb.k-ft]	Location[ft.%]
50	MP5C	Z	0	1.75
51	MP5C	Mx	.000973	1.75
52	MP5C	X	3.892	3.75
53	MP5C	Z	0	3.75
54	MP5C	Mx	.000973	3.75
55	MP4A	X	2.47	2
56	MP4A	Z	0	2
57	MP4A	Mx	.001	2
58	MP4B	X	3.379	2
59	MP4B	Z	0	2
60	MP4B	Mx	-.000845	2
61	MP4C	X	3.379	2
62	MP4C	Z	0	2
63	MP4C	Mx	-.000845	2
64	MP2A	X	2.019	2
65	MP2A	Z	0	2
66	MP2A	Mx	.001	2
67	MP2B	X	3.266	2
68	MP2B	Z	0	2
69	MP2B	Mx	-.000816	2
70	MP2C	X	3.266	2
71	MP2C	Z	0	2
72	MP2C	Mx	-.000816	2
73	MP3A	X	.808	2
74	MP3A	Z	0	2
75	MP3A	Mx	.000404	2
76	MP3B	X	1.484	2
77	MP3B	Z	0	2
78	MP3B	Mx	-.000371	2
79	MP3C	X	1.484	2
80	MP3C	Z	0	2
81	MP3C	Mx	-.000371	2
82	OVP1	X	6.175	1
83	OVP1	Z	0	1
84	OVP1	Mx	0	1
85	MP1A	X	10.183	.5
86	MP1A	Z	0	.5
87	MP1A	Mx	-.005	.5
88	MP1A	X	10.183	5
89	MP1A	Z	0	5
90	MP1A	Mx	-.005	5
91	MP1B	X	11.096	.5
92	MP1B	Z	0	.5
93	MP1B	Mx	.003	.5
94	MP1B	X	11.096	5
95	MP1B	Z	0	5
96	MP1B	Mx	.003	5
97	MP1C	X	11.096	.5
98	MP1C	Z	0	.5
99	MP1C	Mx	.003	.5
100	MP1C	X	11.096	5
101	MP1C	Z	0	5
102	MP1C	Mx	.003	5
103	OVP2	X	6.175	1
104	OVP2	Z	0	1
105	OVP2	Mx	0	1

Member Point Loads (BLC 31 : Antenna Wm (120 Deg))

Member Point Loads (BLC 31 : Antenna Wm (120 Deg)) (Continued)

	Member Label	Direction	Magnitude[lb.k-ft]	Location[ft.%]
1	MP3A	X	3.193	.5
2	MP3A	Z	1.844	.5
3	MP3A	Mx	-.003	.5
4	MP3A	X	3.193	5
5	MP3A	Z	1.844	5
6	MP3A	Mx	-.003	5
7	MP3B	X	5.585	.5
8	MP3B	Z	3.224	.5
9	MP3B	Mx	.004	.5
10	MP3B	X	5.585	5
11	MP3B	Z	3.224	5
12	MP3B	Mx	.004	5
13	MP3C	X	3.193	.5
14	MP3C	Z	1.844	.5
15	MP3C	Mx	.000368	.5
16	MP3C	X	3.193	5
17	MP3C	Z	1.844	5
18	MP3C	Mx	.000368	5
19	MP3A	X	6.19	.5
20	MP3A	Z	3.574	.5
21	MP3A	Mx	-.000712	.5
22	MP3A	X	6.19	5
23	MP3A	Z	3.574	5
24	MP3A	Mx	-.000712	5
25	MP3B	X	8.279	.5
26	MP3B	Z	4.78	.5
27	MP3B	Mx	-.006	.5
28	MP3B	X	8.279	5
29	MP3B	Z	4.78	5
30	MP3B	Mx	-.006	5
31	MP3C	X	6.19	.5
32	MP3C	Z	3.574	.5
33	MP3C	Mx	.005	.5
34	MP3C	X	6.19	5
35	MP3C	Z	3.574	5
36	MP3C	Mx	.005	5
37	MP5A	X	2.049	1.75
38	MP5A	Z	1.183	1.75
39	MP5A	Mx	-.001	1.75
40	MP5A	X	2.049	3.75
41	MP5A	Z	1.183	3.75
42	MP5A	Mx	-.001	3.75
43	MP5B	X	4.032	1.75
44	MP5B	Z	2.328	1.75
45	MP5B	Mx	0	1.75
46	MP5B	X	4.032	3.75
47	MP5B	Z	2.328	3.75
48	MP5B	Mx	0	3.75
49	MP5C	X	2.049	1.75
50	MP5C	Z	1.183	1.75
51	MP5C	Mx	.001	1.75
52	MP5C	X	2.049	3.75
53	MP5C	Z	1.183	3.75
54	MP5C	Mx	.001	3.75
55	MP4A	X	2.401	2
56	MP4A	Z	1.386	2
57	MP4A	Mx	.001	2
58	MP4B	X	3.188	2
59	MP4B	Z	1.841	2

Member Point Loads (BLC 31 : Antenna Wm (120 Deg)) (Continued)

	Member Label	Direction	Magnitude[lb.k-ft]	Location[ft,%]
60	MP4B	Mx	0	2
61	MP4C	X	2.401	2
62	MP4C	Z	1.386	2
63	MP4C	Mx	-.001	2
64	MP2A	X	2.108	2
65	MP2A	Z	1.217	2
66	MP2A	Mx	.001	2
67	MP2B	X	3.188	2
68	MP2B	Z	1.841	2
69	MP2B	Mx	0	2
70	MP2C	X	2.108	2
71	MP2C	Z	1.217	2
72	MP2C	Mx	-.001	2
73	MP3A	X	.895	2
74	MP3A	Z	.517	2
75	MP3A	Mx	.000448	2
76	MP3B	X	1.481	2
77	MP3B	Z	.855	2
78	MP3B	Mx	0	2
79	MP3C	X	.895	2
80	MP3C	Z	.517	2
81	MP3C	Mx	-.000448	2
82	OVP1	X	4.957	1
83	OVP1	Z	2.862	1
84	OVP1	Mx	0	1
85	MP1A	X	9.082	.5
86	MP1A	Z	5.244	.5
87	MP1A	Mx	-.005	.5
88	MP1A	X	9.082	5
89	MP1A	Z	5.244	5
90	MP1A	Mx	-.005	5
91	MP1B	X	9.873	.5
92	MP1B	Z	5.7	.5
93	MP1B	Mx	0	.5
94	MP1B	X	9.873	5
95	MP1B	Z	5.7	5
96	MP1B	Mx	0	5
97	MP1C	X	9.082	.5
98	MP1C	Z	5.244	.5
99	MP1C	Mx	.005	.5
100	MP1C	X	9.082	5
101	MP1C	Z	5.244	5
102	MP1C	Mx	.005	5
103	OVP2	X	4.957	1
104	OVP2	Z	2.862	1
105	OVP2	Mx	0	1

Member Point Loads (BLC 32 : Antenna Wm (150 Deg))

	Member Label	Direction	Magnitude[lb.k-ft]	Location[ft,%]
1	MP3A	X	2.764	.5
2	MP3A	Z	4.787	.5
3	MP3A	Mx	-.005	.5
4	MP3A	X	2.764	5
5	MP3A	Z	4.787	5
6	MP3A	Mx	-.005	5
7	MP3B	X	2.764	.5
8	MP3B	Z	4.787	.5
9	MP3B	Mx	.002	.5

Member Point Loads (BLC 32 : Antenna Wm (150 Deg)) (Continued)

	Member Label	Direction	Magnitude[lb.k-ft]	Location[ft.%]
10	MP3B	X	2.764	5
11	MP3B	Z	4.787	5
12	MP3B	Mx	.002	5
13	MP3C	X	1.384	.5
14	MP3C	Z	2.396	.5
15	MP3C	Mx	.001	.5
16	MP3C	X	1.384	5
17	MP3C	Z	2.396	5
18	MP3C	Mx	.001	5
19	MP3A	X	4.378	.5
20	MP3A	Z	7.583	.5
21	MP3A	Mx	.003	.5
22	MP3A	X	4.378	5
23	MP3A	Z	7.583	5
24	MP3A	Mx	.003	5
25	MP3B	X	4.378	.5
26	MP3B	Z	7.583	.5
27	MP3B	Mx	-.007	.5
28	MP3B	X	4.378	5
29	MP3B	Z	7.583	5
30	MP3B	Mx	-.007	5
31	MP3C	X	3.172	.5
32	MP3C	Z	5.494	.5
33	MP3C	Mx	.003	.5
34	MP3C	X	3.172	5
35	MP3C	Z	5.494	5
36	MP3C	Mx	.003	5
37	MP5A	X	1.946	1.75
38	MP5A	Z	3.371	1.75
39	MP5A	Mx	-.000973	1.75
40	MP5A	X	1.946	3.75
41	MP5A	Z	3.371	3.75
42	MP5A	Mx	-.000973	3.75
43	MP5B	X	1.946	1.75
44	MP5B	Z	3.371	1.75
45	MP5B	Mx	-.000973	1.75
46	MP5B	X	1.946	3.75
47	MP5B	Z	3.371	3.75
48	MP5B	Mx	-.000973	3.75
49	MP5C	X	.802	1.75
50	MP5C	Z	1.388	1.75
51	MP5C	Mx	.000802	1.75
52	MP5C	X	.802	3.75
53	MP5C	Z	1.388	3.75
54	MP5C	Mx	.000802	3.75
55	MP4A	X	1.689	2
56	MP4A	Z	2.926	2
57	MP4A	Mx	.000844	2
58	MP4B	X	1.689	2
59	MP4B	Z	2.926	2
60	MP4B	Mx	.000845	2
61	MP4C	X	1.235	2
62	MP4C	Z	2.139	2
63	MP4C	Mx	-.001	2
64	MP2A	X	1.633	2
65	MP2A	Z	2.828	2
66	MP2A	Mx	.000816	2
67	MP2B	X	1.633	2
68	MP2B	Z	2.828	2

Member Point Loads (BLC 32 : Antenna Wm (150 Deg)) (Continued)

	Member Label	Direction	Magnitude[lb.k-ft]	Location[ft,%]
69	MP2B	Mx	.000816	2
70	MP2C	X	1.009	2
71	MP2C	Z	1.748	2
72	MP2C	Mx	-.001	2
73	MP3A	X	.742	2
74	MP3A	Z	1.286	2
75	MP3A	Mx	.000371	2
76	MP3B	X	.742	2
77	MP3B	Z	1.286	2
78	MP3B	Mx	.000371	2
79	MP3C	X	.404	2
80	MP3C	Z	.699	2
81	MP3C	Mx	-.000404	2
82	OVP1	X	3.088	1
83	OVP1	Z	5.348	1
84	OVP1	Mx	0	1
85	MP1A	X	5.548	.5
86	MP1A	Z	9.61	.5
87	MP1A	Mx	-.003	.5
88	MP1A	X	5.548	5
89	MP1A	Z	9.61	5
90	MP1A	Mx	-.003	5
91	MP1B	X	5.548	.5
92	MP1B	Z	9.61	.5
93	MP1B	Mx	-.003	.5
94	MP1B	X	5.548	5
95	MP1B	Z	9.61	5
96	MP1B	Mx	-.003	5
97	MP1C	X	5.092	.5
98	MP1C	Z	8.819	.5
99	MP1C	Mx	.005	.5
100	MP1C	X	5.092	5
101	MP1C	Z	8.819	5
102	MP1C	Mx	.005	5
103	OVP2	X	3.088	1
104	OVP2	Z	5.348	1
105	OVP2	Mx	0	1

Member Point Loads (BLC 33 : Antenna Wm (180 Deg))

	Member Label	Direction	Magnitude[lb.k-ft]	Location[ft,%]
1	MP3A	X	0	.5
2	MP3A	Z	6.448	.5
3	MP3A	Mx	-.004	.5
4	MP3A	X	0	5
5	MP3A	Z	6.448	5
6	MP3A	Mx	-.004	5
7	MP3B	X	0	.5
8	MP3B	Z	3.687	.5
9	MP3B	Mx	-.000368	.5
10	MP3B	X	0	5
11	MP3B	Z	3.687	5
12	MP3B	Mx	-.000368	5
13	MP3C	X	0	.5
14	MP3C	Z	3.687	.5
15	MP3C	Mx	.003	.5
16	MP3C	X	0	5
17	MP3C	Z	3.687	5
18	MP3C	Mx	.003	5

Member Point Loads (BLC 33 : Antenna Wm (180 Deg)) (Continued)

	Member Label	Direction	Magnitude[lb.k-ft]	Location[ft.%]
19	MP3A	X	0	.5
20	MP3A	Z	9.56	.5
21	MP3A	Mx	.006	.5
22	MP3A	X	0	5
23	MP3A	Z	9.56	5
24	MP3A	Mx	.006	5
25	MP3B	X	0	.5
26	MP3B	Z	7.148	.5
27	MP3B	Mx	-.005	.5
28	MP3B	X	0	5
29	MP3B	Z	7.148	5
30	MP3B	Mx	-.005	5
31	MP3C	X	0	.5
32	MP3C	Z	7.148	.5
33	MP3C	Mx	.000713	.5
34	MP3C	X	0	5
35	MP3C	Z	7.148	5
36	MP3C	Mx	.000713	5
37	MP5A	X	0	1.75
38	MP5A	Z	4.655	1.75
39	MP5A	Mx	0	1.75
40	MP5A	X	0	3.75
41	MP5A	Z	4.655	3.75
42	MP5A	Mx	0	3.75
43	MP5B	X	0	1.75
44	MP5B	Z	2.366	1.75
45	MP5B	Mx	-.001	1.75
46	MP5B	X	0	3.75
47	MP5B	Z	2.366	3.75
48	MP5B	Mx	-.001	3.75
49	MP5C	X	0	1.75
50	MP5C	Z	2.366	1.75
51	MP5C	Mx	.001	1.75
52	MP5C	X	0	3.75
53	MP5C	Z	2.366	3.75
54	MP5C	Mx	.001	3.75
55	MP4A	X	0	2
56	MP4A	Z	3.681	2
57	MP4A	Mx	0	2
58	MP4B	X	0	2
59	MP4B	Z	2.773	2
60	MP4B	Mx	.001	2
61	MP4C	X	0	2
62	MP4C	Z	2.773	2
63	MP4C	Mx	-.001	2
64	MP2A	X	0	2
65	MP2A	Z	3.681	2
66	MP2A	Mx	0	2
67	MP2B	X	0	2
68	MP2B	Z	2.435	2
69	MP2B	Mx	.001	2
70	MP2C	X	0	2
71	MP2C	Z	2.435	2
72	MP2C	Mx	-.001	2
73	MP3A	X	0	2
74	MP3A	Z	1.71	2
75	MP3A	Mx	0	2
76	MP3B	X	0	2
77	MP3B	Z	1.033	2

Member Point Loads (BLC 33 : Antenna Wm (180 Deg)) (Continued)

	Member Label	Direction	Magnitude[lb.k-ft]	Location[ft,%]
78	MP3B	Mx	.000447	2
79	MP3C	X	0	2
80	MP3C	Z	1.033	2
81	MP3C	Mx	-.000447	2
82	OVP1	X	0	1
83	OVP1	Z	7.078	1
84	OVP1	Mx	0	1
85	MP1A	X	0	.5
86	MP1A	Z	11.401	.5
87	MP1A	Mx	0	.5
88	MP1A	X	0	5
89	MP1A	Z	11.401	5
90	MP1A	Mx	0	5
91	MP1B	X	0	.5
92	MP1B	Z	10.487	.5
93	MP1B	Mx	-.005	.5
94	MP1B	X	0	5
95	MP1B	Z	10.487	5
96	MP1B	Mx	-.005	5
97	MP1C	X	0	.5
98	MP1C	Z	10.487	.5
99	MP1C	Mx	.005	.5
100	MP1C	X	0	5
101	MP1C	Z	10.487	5
102	MP1C	Mx	.005	5
103	OVP2	X	0	1
104	OVP2	Z	7.078	1
105	OVP2	Mx	0	1

Member Point Loads (BLC 34 : Antenna Wm (210 Deg))

	Member Label	Direction	Magnitude[lb.k-ft]	Location[ft,%]
1	MP3A	X	-2.764	.5
2	MP3A	Z	4.787	.5
3	MP3A	Mx	-.002	.5
4	MP3A	X	-2.764	5
5	MP3A	Z	4.787	5
6	MP3A	Mx	-.002	5
7	MP3B	X	-1.384	.5
8	MP3B	Z	2.396	.5
9	MP3B	Mx	-.001	.5
10	MP3B	X	-1.384	5
11	MP3B	Z	2.396	5
12	MP3B	Mx	-.001	5
13	MP3C	X	-2.764	.5
14	MP3C	Z	4.787	.5
15	MP3C	Mx	.005	.5
16	MP3C	X	-2.764	5
17	MP3C	Z	4.787	5
18	MP3C	Mx	.005	5
19	MP3A	X	-4.378	.5
20	MP3A	Z	7.583	.5
21	MP3A	Mx	.007	.5
22	MP3A	X	-4.378	5
23	MP3A	Z	7.583	5
24	MP3A	Mx	.007	5
25	MP3B	X	-3.172	.5
26	MP3B	Z	5.494	.5
27	MP3B	Mx	-.003	.5

Member Point Loads (BLC 34 : Antenna Wm (210 Deg)) (Continued)

	Member Label	Direction	Magnitude[lb.k-ft]	Location[ft,%]
28	MP3B	X	-3.172	5
29	MP3B	Z	5.494	5
30	MP3B	Mx	-.003	5
31	MP3C	X	-4.378	.5
32	MP3C	Z	7.583	.5
33	MP3C	Mx	-.003	.5
34	MP3C	X	-4.378	5
35	MP3C	Z	7.583	5
36	MP3C	Mx	-.003	5
37	MP5A	X	-1.946	1.75
38	MP5A	Z	3.371	1.75
39	MP5A	Mx	.000973	1.75
40	MP5A	X	-1.946	3.75
41	MP5A	Z	3.371	3.75
42	MP5A	Mx	.000973	3.75
43	MP5B	X	-.802	1.75
44	MP5B	Z	1.388	1.75
45	MP5B	Mx	-.000802	1.75
46	MP5B	X	-.802	3.75
47	MP5B	Z	1.388	3.75
48	MP5B	Mx	-.000802	3.75
49	MP5C	X	-1.946	1.75
50	MP5C	Z	3.371	1.75
51	MP5C	Mx	.000973	1.75
52	MP5C	X	-1.946	3.75
53	MP5C	Z	3.371	3.75
54	MP5C	Mx	.000973	3.75
55	MP4A	X	-1.689	2
56	MP4A	Z	2.926	2
57	MP4A	Mx	-.000844	2
58	MP4B	X	-1.235	2
59	MP4B	Z	2.139	2
60	MP4B	Mx	.001	2
61	MP4C	X	-1.689	2
62	MP4C	Z	2.926	2
63	MP4C	Mx	-.000845	2
64	MP2A	X	-1.633	2
65	MP2A	Z	2.828	2
66	MP2A	Mx	-.000816	2
67	MP2B	X	-1.009	2
68	MP2B	Z	1.748	2
69	MP2B	Mx	.001	2
70	MP2C	X	-1.633	2
71	MP2C	Z	2.828	2
72	MP2C	Mx	-.000816	2
73	MP3A	X	-.742	2
74	MP3A	Z	1.286	2
75	MP3A	Mx	-.000371	2
76	MP3B	X	-.404	2
77	MP3B	Z	.699	2
78	MP3B	Mx	.000404	2
79	MP3C	X	-.742	2
80	MP3C	Z	1.286	2
81	MP3C	Mx	-.000371	2
82	OVP1	X	-3.765	1
83	OVP1	Z	6.52	1
84	OVP1	Mx	0	1
85	MP1A	X	-5.548	.5
86	MP1A	Z	9.61	.5

Member Point Loads (BLC 34 : Antenna Wm (210 Deg)) (Continued)

	Member Label	Direction	Magnitude[lb.k-ft]	Location[ft.%]
87	MP1A	Mx	.003	.5
88	MP1A	X	-5.548	5
89	MP1A	Z	9.61	5
90	MP1A	Mx	.003	5
91	MP1B	X	-5.092	.5
92	MP1B	Z	8.819	.5
93	MP1B	Mx	-.005	.5
94	MP1B	X	-5.092	5
95	MP1B	Z	8.819	5
96	MP1B	Mx	-.005	5
97	MP1C	X	-5.548	.5
98	MP1C	Z	9.61	.5
99	MP1C	Mx	.003	.5
100	MP1C	X	-5.548	5
101	MP1C	Z	9.61	5
102	MP1C	Mx	.003	5
103	OVP2	X	-3.765	1
104	OVP2	Z	6.52	1
105	OVP2	Mx	0	1

Member Point Loads (BLC 35 : Antenna Wm (240 Deg))

	Member Label	Direction	Magnitude[lb.k-ft]	Location[ft.%]
1	MP3A	X	-3.193	.5
2	MP3A	Z	1.844	.5
3	MP3A	Mx	.000367	.5
4	MP3A	X	-3.193	5
5	MP3A	Z	1.844	5
6	MP3A	Mx	.000367	5
7	MP3B	X	-3.193	.5
8	MP3B	Z	1.844	.5
9	MP3B	Mx	-.003	.5
10	MP3B	X	-3.193	5
11	MP3B	Z	1.844	5
12	MP3B	Mx	-.003	5
13	MP3C	X	-5.585	.5
14	MP3C	Z	3.224	.5
15	MP3C	Mx	.004	.5
16	MP3C	X	-5.585	5
17	MP3C	Z	3.224	5
18	MP3C	Mx	.004	5
19	MP3A	X	-6.19	.5
20	MP3A	Z	3.574	.5
21	MP3A	Mx	.005	.5
22	MP3A	X	-6.19	5
23	MP3A	Z	3.574	5
24	MP3A	Mx	.005	5
25	MP3B	X	-6.19	.5
26	MP3B	Z	3.574	.5
27	MP3B	Mx	-.000713	.5
28	MP3B	X	-6.19	5
29	MP3B	Z	3.574	5
30	MP3B	Mx	-.000713	5
31	MP3C	X	-8.279	.5
32	MP3C	Z	4.78	.5
33	MP3C	Mx	-.006	.5
34	MP3C	X	-8.279	5
35	MP3C	Z	4.78	5
36	MP3C	Mx	-.006	5

Member Point Loads (BLC 35 : Antenna Wm (240 Deg)) (Continued)

	Member Label	Direction	Magnitude[lb.k-ft]	Location[ft.%]
37	MP5A	X	-2.049	1.75
38	MP5A	Z	1.183	1.75
39	MP5A	Mx	.001	1.75
40	MP5A	X	-2.049	3.75
41	MP5A	Z	1.183	3.75
42	MP5A	Mx	.001	3.75
43	MP5B	X	-2.049	1.75
44	MP5B	Z	1.183	1.75
45	MP5B	Mx	-.001	1.75
46	MP5B	X	-2.049	3.75
47	MP5B	Z	1.183	3.75
48	MP5B	Mx	-.001	3.75
49	MP5C	X	-4.032	1.75
50	MP5C	Z	2.328	1.75
51	MP5C	Mx	0	1.75
52	MP5C	X	-4.032	3.75
53	MP5C	Z	2.328	3.75
54	MP5C	Mx	0	3.75
55	MP4A	X	-2.401	2
56	MP4A	Z	1.386	2
57	MP4A	Mx	-.001	2
58	MP4B	X	-2.401	2
59	MP4B	Z	1.386	2
60	MP4B	Mx	.001	2
61	MP4C	X	-3.188	2
62	MP4C	Z	1.841	2
63	MP4C	Mx	0	2
64	MP2A	X	-2.108	2
65	MP2A	Z	1.217	2
66	MP2A	Mx	-.001	2
67	MP2B	X	-2.108	2
68	MP2B	Z	1.217	2
69	MP2B	Mx	.001	2
70	MP2C	X	-3.188	2
71	MP2C	Z	1.841	2
72	MP2C	Mx	0	2
73	MP3A	X	-.895	2
74	MP3A	Z	.517	2
75	MP3A	Mx	-.000448	2
76	MP3B	X	-.895	2
77	MP3B	Z	.517	2
78	MP3B	Mx	.000448	2
79	MP3C	X	-1.481	2
80	MP3C	Z	.855	2
81	MP3C	Mx	0	2
82	OVP1	X	-6.13	1
83	OVP1	Z	3.539	1
84	OVP1	Mx	0	1
85	MP1A	X	-9.082	.5
86	MP1A	Z	5.244	.5
87	MP1A	Mx	.005	.5
88	MP1A	X	-9.082	5
89	MP1A	Z	5.244	5
90	MP1A	Mx	.005	5
91	MP1B	X	-9.082	.5
92	MP1B	Z	5.244	.5
93	MP1B	Mx	-.005	.5
94	MP1B	X	-9.082	5
95	MP1B	Z	5.244	5

Member Point Loads (BLC 35 : Antenna Wm (240 Deg)) (Continued)

	Member Label	Direction	Magnitude[lb.k-ft]	Location[ft.%]
96	MP1B	Mx	-0.005	5
97	MP1C	X	-9.873	.5
98	MP1C	Z	5.7	.5
99	MP1C	Mx	0	.5
100	MP1C	X	-9.873	5
101	MP1C	Z	5.7	5
102	MP1C	Mx	0	5
103	OVP2	X	-6.13	1
104	OVP2	Z	3.539	1
105	OVP2	Mx	0	1

Member Point Loads (BLC 36 : Antenna Wm (270 Deg))

	Member Label	Direction	Magnitude[lb.k-ft]	Location[ft.%]
1	MP3A	X	-2.767	.5
2	MP3A	Z	0	.5
3	MP3A	Mx	.001	.5
4	MP3A	X	-2.767	5
5	MP3A	Z	0	5
6	MP3A	Mx	.001	5
7	MP3B	X	-5.528	.5
8	MP3B	Z	0	.5
9	MP3B	Mx	-.005	.5
10	MP3B	X	-5.528	5
11	MP3B	Z	0	5
12	MP3B	Mx	-.005	5
13	MP3C	X	-5.528	.5
14	MP3C	Z	0	.5
15	MP3C	Mx	.002	.5
16	MP3C	X	-5.528	5
17	MP3C	Z	0	5
18	MP3C	Mx	.002	5
19	MP3A	X	-6.344	.5
20	MP3A	Z	0	.5
21	MP3A	Mx	.003	.5
22	MP3A	X	-6.344	5
23	MP3A	Z	0	5
24	MP3A	Mx	.003	5
25	MP3B	X	-8.756	.5
26	MP3B	Z	0	.5
27	MP3B	Mx	.003	.5
28	MP3B	X	-8.756	5
29	MP3B	Z	0	5
30	MP3B	Mx	.003	5
31	MP3C	X	-8.756	.5
32	MP3C	Z	0	.5
33	MP3C	Mx	-.007	.5
34	MP3C	X	-8.756	5
35	MP3C	Z	0	5
36	MP3C	Mx	-.007	5
37	MP5A	X	-1.603	1.75
38	MP5A	Z	0	1.75
39	MP5A	Mx	.000802	1.75
40	MP5A	X	-1.603	3.75
41	MP5A	Z	0	3.75
42	MP5A	Mx	.000802	3.75
43	MP5B	X	-3.892	1.75
44	MP5B	Z	0	1.75
45	MP5B	Mx	-.000973	1.75

Member Point Loads (BLC 36 : Antenna Wm (270 Deg)) (Continued)

	Member Label	Direction	Magnitude[lb.k-ft]	Location[ft.%]
46	MP5B	X	-3.892	3.75
47	MP5B	Z	0	3.75
48	MP5B	Mx	-.000973	3.75
49	MP5C	X	-3.892	1.75
50	MP5C	Z	0	1.75
51	MP5C	Mx	-.000973	1.75
52	MP5C	X	-3.892	3.75
53	MP5C	Z	0	3.75
54	MP5C	Mx	-.000973	3.75
55	MP4A	X	-2.47	2
56	MP4A	Z	0	2
57	MP4A	Mx	-.001	2
58	MP4B	X	-3.379	2
59	MP4B	Z	0	2
60	MP4B	Mx	.000845	2
61	MP4C	X	-3.379	2
62	MP4C	Z	0	2
63	MP4C	Mx	.000845	2
64	MP2A	X	-2.019	2
65	MP2A	Z	0	2
66	MP2A	Mx	-.001	2
67	MP2B	X	-3.266	2
68	MP2B	Z	0	2
69	MP2B	Mx	.000816	2
70	MP2C	X	-3.266	2
71	MP2C	Z	0	2
72	MP2C	Mx	.000816	2
73	MP3A	X	-.808	2
74	MP3A	Z	0	2
75	MP3A	Mx	-.000404	2
76	MP3B	X	-1.484	2
77	MP3B	Z	0	2
78	MP3B	Mx	.000371	2
79	MP3C	X	-1.484	2
80	MP3C	Z	0	2
81	MP3C	Mx	.000371	2
82	OVP1	X	-6.175	1
83	OVP1	Z	0	1
84	OVP1	Mx	0	1
85	MP1A	X	-10.183	.5
86	MP1A	Z	0	.5
87	MP1A	Mx	.005	.5
88	MP1A	X	-10.183	5
89	MP1A	Z	0	5
90	MP1A	Mx	.005	5
91	MP1B	X	-11.096	.5
92	MP1B	Z	0	.5
93	MP1B	Mx	-.003	.5
94	MP1B	X	-11.096	5
95	MP1B	Z	0	5
96	MP1B	Mx	-.003	5
97	MP1C	X	-11.096	.5
98	MP1C	Z	0	.5
99	MP1C	Mx	-.003	.5
100	MP1C	X	-11.096	5
101	MP1C	Z	0	5
102	MP1C	Mx	-.003	5
103	OVP2	X	-6.175	1
104	OVP2	Z	0	1

Member Point Loads (BLC 36 : Antenna Wm (270 Deg)) (Continued)

	Member Label	Direction	Magnitude[lb.k-ft]	Location[ft.%]
105	OVP2	Mx	0	1

Member Point Loads (BLC 37 : Antenna Wm (300 Deg))

	Member Label	Direction	Magnitude[lb.k-ft]	Location[ft.%]
1	MP3A	X	-3.193	.5
2	MP3A	Z	-1.844	.5
3	MP3A	Mx	.003	.5
4	MP3A	X	-3.193	5
5	MP3A	Z	-1.844	5
6	MP3A	Mx	.003	5
7	MP3B	X	-5.585	.5
8	MP3B	Z	-3.224	.5
9	MP3B	Mx	-.004	.5
10	MP3B	X	-5.585	5
11	MP3B	Z	-3.224	5
12	MP3B	Mx	-.004	5
13	MP3C	X	-3.193	.5
14	MP3C	Z	-1.844	.5
15	MP3C	Mx	-.000368	.5
16	MP3C	X	-3.193	5
17	MP3C	Z	-1.844	5
18	MP3C	Mx	-.000368	5
19	MP3A	X	-6.19	.5
20	MP3A	Z	-3.574	.5
21	MP3A	Mx	.000712	.5
22	MP3A	X	-6.19	5
23	MP3A	Z	-3.574	5
24	MP3A	Mx	.000712	5
25	MP3B	X	-8.279	.5
26	MP3B	Z	-4.78	.5
27	MP3B	Mx	.006	.5
28	MP3B	X	-8.279	5
29	MP3B	Z	-4.78	5
30	MP3B	Mx	.006	5
31	MP3C	X	-6.19	.5
32	MP3C	Z	-3.574	.5
33	MP3C	Mx	-.005	.5
34	MP3C	X	-6.19	5
35	MP3C	Z	-3.574	5
36	MP3C	Mx	-.005	5
37	MP5A	X	-2.049	1.75
38	MP5A	Z	-1.183	1.75
39	MP5A	Mx	.001	1.75
40	MP5A	X	-2.049	3.75
41	MP5A	Z	-1.183	3.75
42	MP5A	Mx	.001	3.75
43	MP5B	X	-4.032	1.75
44	MP5B	Z	-2.328	1.75
45	MP5B	Mx	0	1.75
46	MP5B	X	-4.032	3.75
47	MP5B	Z	-2.328	3.75
48	MP5B	Mx	0	3.75
49	MP5C	X	-2.049	1.75
50	MP5C	Z	-1.183	1.75
51	MP5C	Mx	-.001	1.75
52	MP5C	X	-2.049	3.75
53	MP5C	Z	-1.183	3.75
54	MP5C	Mx	-.001	3.75

Member Point Loads (BLC 37 : Antenna Wm (300 Deg)) (Continued)

	Member Label	Direction	Magnitude[lb.k-ft]	Location[ft.%]
55	MP4A	X	-2.401	2
56	MP4A	Z	-1.386	2
57	MP4A	Mx	-.001	2
58	MP4B	X	-3.188	2
59	MP4B	Z	-1.841	2
60	MP4B	Mx	0	2
61	MP4C	X	-2.401	2
62	MP4C	Z	-1.386	2
63	MP4C	Mx	.001	2
64	MP2A	X	-2.108	2
65	MP2A	Z	-1.217	2
66	MP2A	Mx	-.001	2
67	MP2B	X	-3.188	2
68	MP2B	Z	-1.841	2
69	MP2B	Mx	0	2
70	MP2C	X	-2.108	2
71	MP2C	Z	-1.217	2
72	MP2C	Mx	.001	2
73	MP3A	X	-.895	2
74	MP3A	Z	-.517	2
75	MP3A	Mx	-.000448	2
76	MP3B	X	-1.481	2
77	MP3B	Z	-.855	2
78	MP3B	Mx	0	2
79	MP3C	X	-.895	2
80	MP3C	Z	-.517	2
81	MP3C	Mx	.000448	2
82	OVP1	X	-4.957	1
83	OVP1	Z	-2.862	1
84	OVP1	Mx	0	1
85	MP1A	X	-9.082	.5
86	MP1A	Z	-5.244	.5
87	MP1A	Mx	.005	.5
88	MP1A	X	-9.082	5
89	MP1A	Z	-5.244	5
90	MP1A	Mx	.005	5
91	MP1B	X	-9.873	.5
92	MP1B	Z	-5.7	.5
93	MP1B	Mx	0	.5
94	MP1B	X	-9.873	5
95	MP1B	Z	-5.7	5
96	MP1B	Mx	0	5
97	MP1C	X	-9.082	.5
98	MP1C	Z	-5.244	.5
99	MP1C	Mx	-.005	.5
100	MP1C	X	-9.082	5
101	MP1C	Z	-5.244	5
102	MP1C	Mx	-.005	5
103	OVP2	X	-4.957	1
104	OVP2	Z	-2.862	1
105	OVP2	Mx	0	1

Member Point Loads (BLC 38 : Antenna Wm (330 Deg))

	Member Label	Direction	Magnitude[lb.k-ft]	Location[ft.%]
1	MP3A	X	-2.764	.5
2	MP3A	Z	-4.787	.5
3	MP3A	Mx	.005	.5
4	MP3A	X	-2.764	5

Member Point Loads (BLC 38 : Antenna Wm (330 Deg)) (Continued)

	Member Label	Direction	Magnitude[lb.k-ft]	Location[ft.%]
5	MP3A	Z	-4.787	5
6	MP3A	Mx	.005	5
7	MP3B	X	-2.764	.5
8	MP3B	Z	-4.787	.5
9	MP3B	Mx	-.002	.5
10	MP3B	X	-2.764	5
11	MP3B	Z	-4.787	5
12	MP3B	Mx	-.002	5
13	MP3C	X	-1.384	.5
14	MP3C	Z	-2.396	.5
15	MP3C	Mx	-.001	.5
16	MP3C	X	-1.384	5
17	MP3C	Z	-2.396	5
18	MP3C	Mx	-.001	5
19	MP3A	X	-4.378	.5
20	MP3A	Z	-7.583	.5
21	MP3A	Mx	-.003	.5
22	MP3A	X	-4.378	5
23	MP3A	Z	-7.583	5
24	MP3A	Mx	-.003	5
25	MP3B	X	-4.378	.5
26	MP3B	Z	-7.583	.5
27	MP3B	Mx	.007	.5
28	MP3B	X	-4.378	5
29	MP3B	Z	-7.583	5
30	MP3B	Mx	.007	5
31	MP3C	X	-3.172	.5
32	MP3C	Z	-5.494	.5
33	MP3C	Mx	-.003	.5
34	MP3C	X	-3.172	5
35	MP3C	Z	-5.494	5
36	MP3C	Mx	-.003	5
37	MP5A	X	-1.946	1.75
38	MP5A	Z	-3.371	1.75
39	MP5A	Mx	.000973	1.75
40	MP5A	X	-1.946	3.75
41	MP5A	Z	-3.371	3.75
42	MP5A	Mx	.000973	3.75
43	MP5B	X	-1.946	1.75
44	MP5B	Z	-3.371	1.75
45	MP5B	Mx	.000973	1.75
46	MP5B	X	-1.946	3.75
47	MP5B	Z	-3.371	3.75
48	MP5B	Mx	.000973	3.75
49	MP5C	X	-.802	1.75
50	MP5C	Z	-1.388	1.75
51	MP5C	Mx	-.000802	1.75
52	MP5C	X	-.802	3.75
53	MP5C	Z	-1.388	3.75
54	MP5C	Mx	-.000802	3.75
55	MP4A	X	-1.689	2
56	MP4A	Z	-2.926	2
57	MP4A	Mx	-.000844	2
58	MP4B	X	-1.689	2
59	MP4B	Z	-2.926	2
60	MP4B	Mx	-.000845	2
61	MP4C	X	-1.235	2
62	MP4C	Z	-2.139	2
63	MP4C	Mx	.001	2

Member Point Loads (BLC 38 : Antenna Wm (330 Deg)) (Continued)

	Member Label	Direction	Magnitude[lb.k-ft]	Location[ft,%]
64	MP2A	X	-1.633	2
65	MP2A	Z	-2.828	2
66	MP2A	Mx	-.000816	2
67	MP2B	X	-1.633	2
68	MP2B	Z	-2.828	2
69	MP2B	Mx	-.000816	2
70	MP2C	X	-1.009	2
71	MP2C	Z	-1.748	2
72	MP2C	Mx	.001	2
73	MP3A	X	-.742	2
74	MP3A	Z	-1.286	2
75	MP3A	Mx	-.000371	2
76	MP3B	X	-.742	2
77	MP3B	Z	-1.286	2
78	MP3B	Mx	-.000371	2
79	MP3C	X	-.404	2
80	MP3C	Z	-.699	2
81	MP3C	Mx	.000404	2
82	OVP1	X	-3.088	1
83	OVP1	Z	-5.348	1
84	OVP1	Mx	0	1
85	MP1A	X	-5.548	.5
86	MP1A	Z	-9.61	.5
87	MP1A	Mx	.003	.5
88	MP1A	X	-5.548	5
89	MP1A	Z	-9.61	5
90	MP1A	Mx	.003	5
91	MP1B	X	-5.548	.5
92	MP1B	Z	-9.61	.5
93	MP1B	Mx	.003	.5
94	MP1B	X	-5.548	5
95	MP1B	Z	-9.61	5
96	MP1B	Mx	.003	5
97	MP1C	X	-5.092	.5
98	MP1C	Z	-8.819	.5
99	MP1C	Mx	-.005	.5
100	MP1C	X	-5.092	5
101	MP1C	Z	-8.819	5
102	MP1C	Mx	-.005	5
103	OVP2	X	-3.088	1
104	OVP2	Z	-5.348	1
105	OVP2	Mx	0	1

Member Point Loads (BLC 77 : Lm1)

	Member Label	Direction	Magnitude[lb.k-ft]	Location[ft,%]
1	L2	Y	-500	0

Member Point Loads (BLC 78 : Lm2)

	Member Label	Direction	Magnitude[lb.k-ft]	Location[ft,%]
1	L1	Y	-500	0

Member Point Loads (BLC 79 : Lv1)

	Member Label	Direction	Magnitude[lb.k-ft]	Location[ft,%]
1	FACE	Y	-250	%100

Member Point Loads (BLC 80 : Lv2)

	Member Label	Direction	Magnitude[lb.k-ft]	Location[ft,%]
--	--------------	-----------	--------------------	----------------

Member Point Loads (BLC 80 : Lv2) (Continued)

	Member Label	Direction	Magnitude[lb.k-ft]	Location[ft.%]
1	FACE	Y	-250	%50

Member Point Loads (BLC 81 : Antenna Ev)

	Member Label	Direction	Magnitude[lb.k-ft]	Location[ft.%]
1	MP3A	Y	- .816	.5
2	MP3A	My	-.000408	.5
3	MP3A	Mz	-.000544	.5
4	MP3A	Y	- .816	5
5	MP3A	My	-.000408	5
6	MP3A	Mz	-.000544	5
7	MP3B	Y	- .816	.5
8	MP3B	My	.000675	.5
9	MP3B	Mz	-8.1e-5	.5
10	MP3B	Y	- .816	5
11	MP3B	My	.000675	5
12	MP3B	Mz	-8.1e-5	5
13	MP3C	Y	- .816	.5
14	MP3C	My	-.000267	.5
15	MP3C	Mz	.000625	.5
16	MP3C	Y	- .816	5
17	MP3C	My	-.000267	5
18	MP3C	Mz	.000625	5
19	MP3A	Y	-1.206	.5
20	MP3A	My	-.000603	.5
21	MP3A	Mz	.000804	.5
22	MP3A	Y	-1.206	5
23	MP3A	My	-.000603	5
24	MP3A	Mz	.000804	5
25	MP3B	Y	-1.206	.5
26	MP3B	My	-.000395	.5
27	MP3B	Mz	-.000924	.5
28	MP3B	Y	-1.206	5
29	MP3B	My	-.000395	5
30	MP3B	Mz	-.000924	5
31	MP3C	Y	-1.206	.5
32	MP3C	My	.000998	.5
33	MP3C	Mz	.00012	.5
34	MP3C	Y	-1.206	5
35	MP3C	My	.000998	5
36	MP3C	Mz	.00012	5
37	MP5A	Y	-1.626	1.75
38	MP5A	My	-.000813	1.75
39	MP5A	Mz	0	1.75
40	MP5A	Y	-1.626	3.75
41	MP5A	My	-.000813	3.75
42	MP5A	Mz	0	3.75
43	MP5B	Y	-1.626	1.75
44	MP5B	My	.000406	1.75
45	MP5B	Mz	-.000704	1.75
46	MP5B	Y	-1.626	3.75
47	MP5B	My	.000406	3.75
48	MP5B	Mz	-.000704	3.75
49	MP5C	Y	-1.626	1.75
50	MP5C	My	.000406	1.75
51	MP5C	Mz	.000704	1.75
52	MP5C	Y	-1.626	3.75
53	MP5C	My	.000406	3.75
54	MP5C	Mz	.000704	3.75

Member Point Loads (BLC 81 : Antenna Ev) (Continued)

	Member Label	Direction	Magnitude[lb.k-ft]	Location[ft,%]
55	MP4A	Y	-3.151	2
56	MP4A	My	.002	2
57	MP4A	Mz	0	2
58	MP4B	Y	-3.151	2
59	MP4B	My	-.000788	2
60	MP4B	Mz	.001	2
61	MP4C	Y	-3.151	2
62	MP4C	My	-.000788	2
63	MP4C	Mz	-.001	2
64	MP2A	Y	-2.625	2
65	MP2A	My	.001	2
66	MP2A	Mz	0	2
67	MP2B	Y	-2.625	2
68	MP2B	My	-.000656	2
69	MP2B	Mz	.001	2
70	MP2C	Y	-2.625	2
71	MP2C	My	-.000656	2
72	MP2C	Mz	-.001	2
73	MP3A	Y	-.698	2
74	MP3A	My	.000349	2
75	MP3A	Mz	0	2
76	MP3B	Y	-.698	2
77	MP3B	My	-.000175	2
78	MP3B	Mz	.000302	2
79	MP3C	Y	-.698	2
80	MP3C	My	-.000175	2
81	MP3C	Mz	-.000302	2
82	OVP1	Y	-1.195	1
83	OVP1	My	0	1
84	OVP1	Mz	0	1
85	MP1A	Y	-.504	.5
86	MP1A	My	-.000252	.5
87	MP1A	Mz	0	.5
88	MP1A	Y	-.504	5
89	MP1A	My	-.000252	5
90	MP1A	Mz	0	5
91	MP1B	Y	-.504	.5
92	MP1B	My	.000126	.5
93	MP1B	Mz	-.000218	.5
94	MP1B	Y	-.504	5
95	MP1B	My	.000126	5
96	MP1B	Mz	-.000218	5
97	MP1C	Y	-.504	.5
98	MP1C	My	.000126	.5
99	MP1C	Mz	.000218	.5
100	MP1C	Y	-.504	5
101	MP1C	My	.000126	5
102	MP1C	Mz	.000218	5
103	OVP2	Y	-1.195	1
104	OVP2	My	0	1
105	OVP2	Mz	0	1

Member Point Loads (BLC 82 : Antenna Eh (0 Deg))

	Member Label	Direction	Magnitude[lb.k-ft]	Location[ft,%]
1	MP3A	Z	-2.039	.5
2	MP3A	Mx	.001	.5
3	MP3A	Z	-2.039	5
4	MP3A	Mx	.001	5

Member Point Loads (BLC 82 : Antenna Eh (0 Deg)) (Continued)

	Member Label	Direction	Magnitude[lb.k-ft]	Location[ft.%]
5	MP3B	Z	-2.039	.5
6	MP3B	Mx	.000203	.5
7	MP3B	Z	-2.039	.5
8	MP3B	Mx	.000203	.5
9	MP3C	Z	-2.039	.5
10	MP3C	Mx	-.002	.5
11	MP3C	Z	-2.039	.5
12	MP3C	Mx	-.002	.5
13	MP3A	Z	-3.015	.5
14	MP3A	Mx	-.002	.5
15	MP3A	Z	-3.015	.5
16	MP3A	Mx	-.002	.5
17	MP3B	Z	-3.015	.5
18	MP3B	Mx	.002	.5
19	MP3B	Z	-3.015	.5
20	MP3B	Mx	.002	.5
21	MP3C	Z	-3.015	.5
22	MP3C	Mx	-.0003	.5
23	MP3C	Z	-3.015	.5
24	MP3C	Mx	-.0003	.5
25	MP5A	Z	-4.065	1.75
26	MP5A	Mx	0	1.75
27	MP5A	Z	-4.065	3.75
28	MP5A	Mx	0	3.75
29	MP5B	Z	-4.065	1.75
30	MP5B	Mx	.002	1.75
31	MP5B	Z	-4.065	3.75
32	MP5B	Mx	.002	3.75
33	MP5C	Z	-4.065	1.75
34	MP5C	Mx	-.002	1.75
35	MP5C	Z	-4.065	3.75
36	MP5C	Mx	-.002	3.75
37	MP4A	Z	-7.877	2
38	MP4A	Mx	0	2
39	MP4B	Z	-7.877	2
40	MP4B	Mx	-.003	2
41	MP4C	Z	-7.877	2
42	MP4C	Mx	.003	2
43	MP2A	Z	-6.561	2
44	MP2A	Mx	0	2
45	MP2B	Z	-6.561	2
46	MP2B	Mx	-.003	2
47	MP2C	Z	-6.561	2
48	MP2C	Mx	.003	2
49	MP3A	Z	-1.745	2
50	MP3A	Mx	0	2
51	MP3B	Z	-1.745	2
52	MP3B	Mx	-.000756	2
53	MP3C	Z	-1.745	2
54	MP3C	Mx	.000756	2
55	OVP1	Z	-2.987	1
56	OVP1	Mx	0	1
57	MP1A	Z	-1.26	.5
58	MP1A	Mx	0	.5
59	MP1A	Z	-1.26	.5
60	MP1A	Mx	0	.5
61	MP1B	Z	-1.26	.5
62	MP1B	Mx	.000546	.5
63	MP1B	Z	-1.26	.5

Member Point Loads (BLC 82 : Antenna Eh (0 Deg)) (Continued)

	Member Label	Direction	Magnitude[lb.k-ft]	Location[ft.%]
64	MP1B	Mx	.000546	5
65	MP1C	Z	-1.26	.5
66	MP1C	Mx	-.000546	.5
67	MP1C	Z	-1.26	5
68	MP1C	Mx	-.000546	5
69	OVP2	Z	-2.987	1
70	OVP2	Mx	0	1

Member Point Loads (BLC 83 : Antenna Eh (90 Deg))

	Member Label	Direction	Magnitude[lb.k-ft]	Location[ft.%]
1	MP3A	X	2.039	.5
2	MP3A	Mx	-.001	.5
3	MP3A	X	2.039	5
4	MP3A	Mx	-.001	5
5	MP3B	X	2.039	.5
6	MP3B	Mx	.002	.5
7	MP3B	X	2.039	5
8	MP3B	Mx	.002	5
9	MP3C	X	2.039	.5
10	MP3C	Mx	-.000668	.5
11	MP3C	X	2.039	5
12	MP3C	Mx	-.000668	5
13	MP3A	X	3.015	.5
14	MP3A	Mx	-.002	.5
15	MP3A	X	3.015	5
16	MP3A	Mx	-.002	5
17	MP3B	X	3.015	.5
18	MP3B	Mx	-.000987	.5
19	MP3B	X	3.015	5
20	MP3B	Mx	-.000987	5
21	MP3C	X	3.015	.5
22	MP3C	Mx	.002	.5
23	MP3C	X	3.015	5
24	MP3C	Mx	.002	5
25	MP5A	X	4.065	1.75
26	MP5A	Mx	-.002	1.75
27	MP5A	X	4.065	3.75
28	MP5A	Mx	-.002	3.75
29	MP5B	X	4.065	1.75
30	MP5B	Mx	.001	1.75
31	MP5B	X	4.065	3.75
32	MP5B	Mx	.001	3.75
33	MP5C	X	4.065	1.75
34	MP5C	Mx	.001	1.75
35	MP5C	X	4.065	3.75
36	MP5C	Mx	.001	3.75
37	MP4A	X	7.877	2
38	MP4A	Mx	.004	2
39	MP4B	X	7.877	2
40	MP4B	Mx	-.002	2
41	MP4C	X	7.877	2
42	MP4C	Mx	-.002	2
43	MP2A	X	6.561	2
44	MP2A	Mx	.003	2
45	MP2B	X	6.561	2
46	MP2B	Mx	-.002	2
47	MP2C	X	6.561	2
48	MP2C	Mx	-.002	2

Member Point Loads (BLC 83 : Antenna Eh (90 Deg)) (Continued)

	Member Label	Direction	Magnitude[lb.k-ft]	Location[ft.%]
49	MP3A	X	1.745	2
50	MP3A	Mx	.000873	2
51	MP3B	X	1.745	2
52	MP3B	Mx	-.000436	2
53	MP3C	X	1.745	2
54	MP3C	Mx	-.000436	2
55	OVP1	X	2.987	1
56	OVP1	Mx	0	1
57	MP1A	X	1.26	.5
58	MP1A	Mx	-.00063	.5
59	MP1A	X	1.26	5
60	MP1A	Mx	-.00063	5
61	MP1B	X	1.26	.5
62	MP1B	Mx	.000315	.5
63	MP1B	X	1.26	5
64	MP1B	Mx	.000315	5
65	MP1C	X	1.26	.5
66	MP1C	Mx	.000315	.5
67	MP1C	X	1.26	5
68	MP1C	Mx	.000315	5
69	OVP2	X	2.987	1
70	OVP2	Mx	0	1

Member Distributed Loads (BLC 40 : Structure Di)

	Member Label	Direction	Start Magnitude[lb/ft....	End Magnitude[lb/ft....	Start Location[ft.%]	End Location[ft.%]
1	M25	Y	-14.652	-14.652	0	%100
2	M26	Y	-11.814	-11.814	0	%100
3	M27	Y	-11.814	-11.814	0	%100
4	M28	Y	-15.365	-15.365	0	%100
5	M31	Y	-8.975	-8.975	0	%100
6	M32	Y	-8.975	-8.975	0	%100
7	M36	Y	-15.365	-15.365	0	%100
8	M37	Y	-15.365	-15.365	0	%100
9	M39	Y	-15.365	-15.365	0	%100
10	M41	Y	-15.365	-15.365	0	%100
11	M42	Y	-15.365	-15.365	0	%100
12	M44	Y	-15.365	-15.365	0	%100
13	FACE	Y	-10.323	-10.323	0	%100
14	MP1A	Y	-8.065	-8.065	0	%100
15	MP3A	Y	-8.065	-8.065	0	%100
16	MP4A	Y	-8.065	-8.065	0	%100
17	MP5A	Y	-8.065	-8.065	0	%100
18	OVP1	Y	-8.065	-8.065	0	%100
19	M40A	Y	-10.323	-10.323	0	%100
20	MP2A	Y	-8.065	-8.065	0	%100
21	M44A	Y	-14.652	-14.652	0	%100
22	M45A	Y	-11.814	-11.814	0	%100
23	M46A	Y	-11.814	-11.814	0	%100
24	M47A	Y	-15.365	-15.365	0	%100
25	M50	Y	-8.975	-8.975	0	%100
26	M51	Y	-8.975	-8.975	0	%100
27	M55	Y	-15.365	-15.365	0	%100
28	M56	Y	-15.365	-15.365	0	%100
29	M58	Y	-15.365	-15.365	0	%100
30	M60	Y	-15.365	-15.365	0	%100
31	M61	Y	-15.365	-15.365	0	%100
32	M63	Y	-15.365	-15.365	0	%100

Member Distributed Loads (BLC 40 : Structure Di) (Continued)

	Member Label	Direction	Start Magnitude[lb/ft....	End Magnitude[lb/ft....	Start Location[ft.%]	End Location[ft.%]
33	M68	Y	-10.323	-10.323	0	%100
34	MP1C	Y	-8.065	-8.065	0	%100
35	MP3C	Y	-8.065	-8.065	0	%100
36	MP4C	Y	-8.065	-8.065	0	%100
37	MP5C	Y	-8.065	-8.065	0	%100
38	M83	Y	-10.323	-10.323	0	%100
39	MP2C	Y	-8.065	-8.065	0	%100
40	M87	Y	-14.652	-14.652	0	%100
41	M88	Y	-11.814	-11.814	0	%100
42	M89	Y	-11.814	-11.814	0	%100
43	M90	Y	-15.365	-15.365	0	%100
44	M93	Y	-8.975	-8.975	0	%100
45	M94	Y	-8.975	-8.975	0	%100
46	M98	Y	-15.365	-15.365	0	%100
47	M99	Y	-15.365	-15.365	0	%100
48	M101A	Y	-15.365	-15.365	0	%100
49	M103	Y	-15.365	-15.365	0	%100
50	M104	Y	-15.365	-15.365	0	%100
51	M106	Y	-15.365	-15.365	0	%100
52	M111	Y	-10.323	-10.323	0	%100
53	MP1B	Y	-8.065	-8.065	0	%100
54	MP3B	Y	-8.065	-8.065	0	%100
55	MP4B	Y	-8.065	-8.065	0	%100
56	MP5B	Y	-8.065	-8.065	0	%100
57	OVP2	Y	-8.065	-8.065	0	%100
58	M126	Y	-10.323	-10.323	0	%100
59	MP2B	Y	-8.065	-8.065	0	%100
60	M136	Y	-10.394	-10.394	0	%100
61	M137	Y	-10.394	-10.394	0	%100
62	M138	Y	-10.394	-10.394	0	%100
63	M140	Y	-14.087	-14.087	0	%100
64	M142	Y	-14.087	-14.087	0	%100
65	M144	Y	-14.087	-14.087	0	%100

Member Distributed Loads (BLC 41 : Structure Wo (0 Deg))

	Member Label	Direction	Start Magnitude[lb/ft....	End Magnitude[lb/ft....	Start Location[ft.%]	End Location[ft.%]
1	M25	X	0	0	0	%100
2	M25	Z	0	0	0	%100
3	M26	X	0	0	0	%100
4	M26	Z	-13.169	-13.169	0	%100
5	M27	X	0	0	0	%100
6	M27	Z	-13.169	-13.169	0	%100
7	M28	X	0	0	0	%100
8	M28	Z	-21.306	-21.306	0	%100
9	M31	X	0	0	0	%100
10	M31	Z	-2.958	-2.958	0	%100
11	M32	X	0	0	0	%100
12	M32	Z	-2.958	-2.958	0	%100
13	M36	X	0	0	0	%100
14	M36	Z	0	0	0	%100
15	M37	X	0	0	0	%100
16	M37	Z	-5.425	-5.425	0	%100
17	M39	X	0	0	0	%100
18	M39	Z	-5.714	-5.714	0	%100
19	M41	X	0	0	0	%100
20	M41	Z	0	0	0	%100
21	M42	X	0	0	0	%100
22	M42	Z	-5.425	-5.425	0	%100

Member Distributed Loads (BLC 41 : Structure Wo (0 Deg)) (Continued)

Member Label	Direction	Start Magnitude[lb/ft....	End Magnitude[lb/ft....	Start Location[ft, %]	End Location[ft, %]
23	M44	X	0	0	%100
24	M44	Z	-5.714	-5.714	%100
25	FACE	X	0	0	%100
26	FACE	Z	-12.429	-12.429	%100
27	MP1A	X	0	0	%100
28	MP1A	Z	-8.434	-8.434	%100
29	MP3A	X	0	0	%100
30	MP3A	Z	-8.434	-8.434	%100
31	MP4A	X	0	0	%100
32	MP4A	Z	-8.434	-8.434	%100
33	MP5A	X	0	0	%100
34	MP5A	Z	-8.434	-8.434	%100
35	OVP1	X	0	0	%100
36	OVP1	Z	-7.686	-7.686	%100
37	M40A	X	0	0	%100
38	M40A	Z	-12.429	-12.429	%100
39	MP2A	X	0	0	%100
40	MP2A	Z	-8.434	-8.434	%100
41	M44A	X	0	0	%100
42	M44A	Z	-9.468	-9.468	%100
43	M45A	X	0	0	%100
44	M45A	Z	-3.292	-3.292	%100
45	M46A	X	0	0	%100
46	M46A	Z	-3.292	-3.292	%100
47	M47A	X	0	0	%100
48	M47A	Z	-5.327	-5.327	%100
49	M50	X	0	0	%100
50	M50	Z	-2.958	-2.958	%100
51	M51	X	0	0	%100
52	M51	Z	-11.831	-11.831	%100
53	M55	X	0	0	%100
54	M55	Z	-15.98	-15.98	%100
55	M56	X	0	0	%100
56	M56	Z	-5.425	-5.425	%100
57	M58	X	0	0	%100
58	M58	Z	-5.714	-5.714	%100
59	M60	X	0	0	%100
60	M60	Z	-15.98	-15.98	%100
61	M61	X	0	0	%100
62	M61	Z	-21.701	-21.701	%100
63	M63	X	0	0	%100
64	M63	Z	-22.857	-22.857	%100
65	M68	X	0	0	%100
66	M68	Z	-3.107	-3.107	%100
67	MP1C	X	0	0	%100
68	MP1C	Z	-8.434	-8.434	%100
69	MP3C	X	0	0	%100
70	MP3C	Z	-8.434	-8.434	%100
71	MP4C	X	0	0	%100
72	MP4C	Z	-8.434	-8.434	%100
73	MP5C	X	0	0	%100
74	MP5C	Z	-8.434	-8.434	%100
75	M83	X	0	0	%100
76	M83	Z	-3.107	-3.107	%100
77	MP2C	X	0	0	%100
78	MP2C	Z	-8.434	-8.434	%100
79	M87	X	0	0	%100
80	M87	Z	-9.468	-9.468	%100
81	M88	X	0	0	%100

Member Distributed Loads (BLC 41 : Structure Wo (0 Deg)) (Continued)

	Member Label	Direction	Start Magnitude[lb/ft....	End Magnitude[lb/ft....	Start Location[ft.%]	End Location[ft.%]
82	M88	Z	-3.292	-3.292	0	%100
83	M89	X	0	0	0	%100
84	M89	Z	-3.292	-3.292	0	%100
85	M90	X	0	0	0	%100
86	M90	Z	-5.327	-5.327	0	%100
87	M93	X	0	0	0	%100
88	M93	Z	-11.831	-11.831	0	%100
89	M94	X	0	0	0	%100
90	M94	Z	-2.958	-2.958	0	%100
91	M98	X	0	0	0	%100
92	M98	Z	-15.98	-15.98	0	%100
93	M99	X	0	0	0	%100
94	M99	Z	-21.701	-21.701	0	%100
95	M101A	X	0	0	0	%100
96	M101A	Z	-22.857	-22.857	0	%100
97	M103	X	0	0	0	%100
98	M103	Z	-15.98	-15.98	0	%100
99	M104	X	0	0	0	%100
100	M104	Z	-5.425	-5.425	0	%100
101	M106	X	0	0	0	%100
102	M106	Z	-5.714	-5.714	0	%100
103	M111	X	0	0	0	%100
104	M111	Z	-3.107	-3.107	0	%100
105	MP1B	X	0	0	0	%100
106	MP1B	Z	-8.434	-8.434	0	%100
107	MP3B	X	0	0	0	%100
108	MP3B	Z	-8.434	-8.434	0	%100
109	MP4B	X	0	0	0	%100
110	MP4B	Z	-8.434	-8.434	0	%100
111	MP5B	X	0	0	0	%100
112	MP5B	Z	-8.434	-8.434	0	%100
113	OVP2	X	0	0	0	%100
114	OVP2	Z	-7.686	-7.686	0	%100
115	M126	X	0	0	0	%100
116	M126	Z	-3.107	-3.107	0	%100
117	MP2B	X	0	0	0	%100
118	MP2B	Z	-8.434	-8.434	0	%100
119	M136	X	0	0	0	%100
120	M136	Z	-9.437	-9.437	0	%100
121	M137	X	0	0	0	%100
122	M137	Z	-2.359	-2.359	0	%100
123	M138	X	0	0	0	%100
124	M138	Z	-2.359	-2.359	0	%100
125	M140	X	0	0	0	%100
126	M140	Z	-7.444	-7.444	0	%100
127	M142	X	0	0	0	%100
128	M142	Z	-11.577	-11.577	0	%100
129	M144	X	0	0	0	%100
130	M144	Z	-11.577	-11.577	0	%100

Member Distributed Loads (BLC 42 : Structure Wo (30 Deg))

	Member Label	Direction	Start Magnitude[lb/ft....	End Magnitude[lb/ft....	Start Location[ft.%]	End Location[ft.%]
1	M25	X	1.576	1.576	0	%100
2	M25	Z	-2.73	-2.73	0	%100
3	M26	X	4.938	4.938	0	%100
4	M26	Z	-8.553	-8.553	0	%100
5	M27	X	4.938	4.938	0	%100
6	M27	Z	-8.553	-8.553	0	%100

Member Distributed Loads (BLC 42 : Structure Wo (30 Deg)) (Continued)

	Member Label	Direction	Start Magnitude[lb/ft....	End Magnitude[lb/ft....	Start Location[ft.%]	End Location[ft.%]
7	M28	X	7.99	7.99	0	%100
8	M28	Z	-13.839	-13.839	0	%100
9	M31	X	4.437	4.437	0	%100
10	M31	Z	-7.685	-7.685	0	%100
11	M32	X	0	0	0	%100
12	M32	Z	0	0	0	%100
13	M36	X	2.663	2.663	0	%100
14	M36	Z	-4.613	-4.613	0	%100
15	M37	X	8.138	8.138	0	%100
16	M37	Z	-14.095	-14.095	0	%100
17	M39	X	8.571	8.571	0	%100
18	M39	Z	-14.846	-14.846	0	%100
19	M41	X	2.663	2.663	0	%100
20	M41	Z	-4.613	-4.613	0	%100
21	M42	X	0	0	0	%100
22	M42	Z	0	0	0	%100
23	M44	X	0	0	0	%100
24	M44	Z	0	0	0	%100
25	FACE	X	4.661	4.661	0	%100
26	FACE	Z	-8.073	-8.073	0	%100
27	MP1A	X	4.217	4.217	0	%100
28	MP1A	Z	-7.304	-7.304	0	%100
29	MP3A	X	4.217	4.217	0	%100
30	MP3A	Z	-7.304	-7.304	0	%100
31	MP4A	X	4.217	4.217	0	%100
32	MP4A	Z	-7.304	-7.304	0	%100
33	MP5A	X	4.217	4.217	0	%100
34	MP5A	Z	-7.304	-7.304	0	%100
35	OVP1	X	3.843	3.843	0	%100
36	OVP1	Z	-6.656	-6.656	0	%100
37	M40A	X	4.661	4.661	0	%100
38	M40A	Z	-8.073	-8.073	0	%100
39	MP2A	X	4.217	4.217	0	%100
40	MP2A	Z	-7.304	-7.304	0	%100
41	M44A	X	1.578	1.578	0	%100
42	M44A	Z	-2.733	-2.733	0	%100
43	M45A	X	4.938	4.938	0	%100
44	M45A	Z	-8.553	-8.553	0	%100
45	M46A	X	4.938	4.938	0	%100
46	M46A	Z	-8.553	-8.553	0	%100
47	M47A	X	7.99	7.99	0	%100
48	M47A	Z	-13.839	-13.839	0	%100
49	M50	X	0	0	0	%100
50	M50	Z	0	0	0	%100
51	M51	X	4.437	4.437	0	%100
52	M51	Z	-7.685	-7.685	0	%100
53	M55	X	2.663	2.663	0	%100
54	M55	Z	-4.613	-4.613	0	%100
55	M56	X	0	0	0	%100
56	M56	Z	0	0	0	%100
57	M58	X	0	0	0	%100
58	M58	Z	0	0	0	%100
59	M60	X	2.663	2.663	0	%100
60	M60	Z	-4.613	-4.613	0	%100
61	M61	X	8.138	8.138	0	%100
62	M61	Z	-14.095	-14.095	0	%100
63	M63	X	8.571	8.571	0	%100
64	M63	Z	-14.846	-14.846	0	%100
65	M68	X	4.661	4.661	0	%100

Member Distributed Loads (BLC 42 : Structure Wo (30 Deg)) (Continued)

Member Label	Direction	Start Magnitude[lb/ft....]	End Magnitude[lb/ft....]	Start Location[ft.%]	End Location[ft.%]
66	M68	Z	-8.073	-8.073	0 %100
67	MP1C	X	4.217	4.217	0 %100
68	MP1C	Z	-7.304	-7.304	0 %100
69	MP3C	X	4.217	4.217	0 %100
70	MP3C	Z	-7.304	-7.304	0 %100
71	MP4C	X	4.217	4.217	0 %100
72	MP4C	Z	-7.304	-7.304	0 %100
73	MP5C	X	4.217	4.217	0 %100
74	MP5C	Z	-7.304	-7.304	0 %100
75	M83	X	4.661	4.661	0 %100
76	M83	Z	-8.073	-8.073	0 %100
77	MP2C	X	4.217	4.217	0 %100
78	MP2C	Z	-7.304	-7.304	0 %100
79	M87	X	6.312	6.312	0 %100
80	M87	Z	-10.933	-10.933	0 %100
81	M88	X	0	0	0 %100
82	M88	Z	0	0	0 %100
83	M89	X	0	0	0 %100
84	M89	Z	0	0	0 %100
85	M90	X	0	0	0 %100
86	M90	Z	0	0	0 %100
87	M93	X	4.437	4.437	0 %100
88	M93	Z	-7.685	-7.685	0 %100
89	M94	X	4.437	4.437	0 %100
90	M94	Z	-7.685	-7.685	0 %100
91	M98	X	10.653	10.653	0 %100
92	M98	Z	-18.452	-18.452	0 %100
93	M99	X	8.138	8.138	0 %100
94	M99	Z	-14.095	-14.095	0 %100
95	M101A	X	8.571	8.571	0 %100
96	M101A	Z	-14.846	-14.846	0 %100
97	M103	X	10.653	10.653	0 %100
98	M103	Z	-18.452	-18.452	0 %100
99	M104	X	8.138	8.138	0 %100
100	M104	Z	-14.095	-14.095	0 %100
101	M106	X	8.571	8.571	0 %100
102	M106	Z	-14.846	-14.846	0 %100
103	M111	X	0	0	0 %100
104	M111	Z	0	0	0 %100
105	MP1B	X	4.217	4.217	0 %100
106	MP1B	Z	-7.304	-7.304	0 %100
107	MP3B	X	4.217	4.217	0 %100
108	MP3B	Z	-7.304	-7.304	0 %100
109	MP4B	X	4.217	4.217	0 %100
110	MP4B	Z	-7.304	-7.304	0 %100
111	MP5B	X	4.217	4.217	0 %100
112	MP5B	Z	-7.304	-7.304	0 %100
113	OVP2	X	3.843	3.843	0 %100
114	OVP2	Z	-6.656	-6.656	0 %100
115	M126	X	0	0	0 %100
116	M126	Z	0	0	0 %100
117	MP2B	X	4.217	4.217	0 %100
118	MP2B	Z	-7.304	-7.304	0 %100
119	M136	X	3.539	3.539	0 %100
120	M136	Z	-6.129	-6.129	0 %100
121	M137	X	3.539	3.539	0 %100
122	M137	Z	-6.129	-6.129	0 %100
123	M138	X	0	0	0 %100
124	M138	Z	0	0	0 %100

Member Distributed Loads (BLC 42 : Structure Wo (30 Deg)) (Continued)

	Member Label	Direction	Start Magnitude[lb/ft....	End Magnitude[lb/ft....	Start Location[ft.%]	End Location[ft.%]
125	M140	X	4.411	4.411	0	%100
126	M140	Z	-7.64	-7.64	0	%100
127	M142	X	4.411	4.411	0	%100
128	M142	Z	-7.64	-7.64	0	%100
129	M144	X	6.477	6.477	0	%100
130	M144	Z	-11.219	-11.219	0	%100

Member Distributed Loads (BLC 43 : Structure Wo (60 Deg))

	Member Label	Direction	Start Magnitude[lb/ft....	End Magnitude[lb/ft....	Start Location[ft.%]	End Location[ft.%]
1	M25	X	8.19	8.19	0	%100
2	M25	Z	-4.729	-4.729	0	%100
3	M26	X	2.851	2.851	0	%100
4	M26	Z	-1.646	-1.646	0	%100
5	M27	X	2.851	2.851	0	%100
6	M27	Z	-1.646	-1.646	0	%100
7	M28	X	4.613	4.613	0	%100
8	M28	Z	-2.663	-2.663	0	%100
9	M31	X	10.246	10.246	0	%100
10	M31	Z	-5.916	-5.916	0	%100
11	M32	X	2.562	2.562	0	%100
12	M32	Z	-1.479	-1.479	0	%100
13	M36	X	13.839	13.839	0	%100
14	M36	Z	-7.99	-7.99	0	%100
15	M37	X	18.794	18.794	0	%100
16	M37	Z	-10.85	-10.85	0	%100
17	M39	X	19.795	19.795	0	%100
18	M39	Z	-11.429	-11.429	0	%100
19	M41	X	13.839	13.839	0	%100
20	M41	Z	-7.99	-7.99	0	%100
21	M42	X	4.698	4.698	0	%100
22	M42	Z	-2.713	-2.713	0	%100
23	M44	X	4.949	4.949	0	%100
24	M44	Z	-2.857	-2.857	0	%100
25	FACE	X	2.691	2.691	0	%100
26	FACE	Z	-1.554	-1.554	0	%100
27	MP1A	X	7.304	7.304	0	%100
28	MP1A	Z	-4.217	-4.217	0	%100
29	MP3A	X	7.304	7.304	0	%100
30	MP3A	Z	-4.217	-4.217	0	%100
31	MP4A	X	7.304	7.304	0	%100
32	MP4A	Z	-4.217	-4.217	0	%100
33	MP5A	X	7.304	7.304	0	%100
34	MP5A	Z	-4.217	-4.217	0	%100
35	OVP1	X	6.656	6.656	0	%100
36	OVP1	Z	-3.843	-3.843	0	%100
37	M40A	X	2.691	2.691	0	%100
38	M40A	Z	-1.554	-1.554	0	%100
39	MP2A	X	7.304	7.304	0	%100
40	MP2A	Z	-4.217	-4.217	0	%100
41	M44A	X	0	0	0	%100
42	M44A	Z	0	0	0	%100
43	M45A	X	11.404	11.404	0	%100
44	M45A	Z	-6.584	-6.584	0	%100
45	M46A	X	11.404	11.404	0	%100
46	M46A	Z	-6.584	-6.584	0	%100
47	M47A	X	18.452	18.452	0	%100
48	M47A	Z	-10.653	-10.653	0	%100
49	M50	X	2.562	2.562	0	%100

Member Distributed Loads (BLC 43 : Structure Wo (60 Deg)) (Continued)

Member Label	Direction	Start Magnitude[lb/ft....]	End Magnitude[lb/ft....]	Start Location[ft.%]	End Location[ft.%]
50	M50	Z	-1.479	-1.479	0 %100
51	M51	X	2.562	2.562	0 %100
52	M51	Z	-1.479	-1.479	0 %100
53	M55	X	0	0	0 %100
54	M55	Z	0	0	0 %100
55	M56	X	4.698	4.698	0 %100
56	M56	Z	-2.713	-2.713	0 %100
57	M58	X	4.949	4.949	0 %100
58	M58	Z	-2.857	-2.857	0 %100
59	M60	X	0	0	0 %100
60	M60	Z	0	0	0 %100
61	M61	X	4.698	4.698	0 %100
62	M61	Z	-2.713	-2.713	0 %100
63	M63	X	4.949	4.949	0 %100
64	M63	Z	-2.857	-2.857	0 %100
65	M68	X	10.764	10.764	0 %100
66	M68	Z	-6.214	-6.214	0 %100
67	MP1C	X	7.304	7.304	0 %100
68	MP1C	Z	-4.217	-4.217	0 %100
69	MP3C	X	7.304	7.304	0 %100
70	MP3C	Z	-4.217	-4.217	0 %100
71	MP4C	X	7.304	7.304	0 %100
72	MP4C	Z	-4.217	-4.217	0 %100
73	MP5C	X	7.304	7.304	0 %100
74	MP5C	Z	-4.217	-4.217	0 %100
75	M83	X	10.764	10.764	0 %100
76	M83	Z	-6.214	-6.214	0 %100
77	MP2C	X	7.304	7.304	0 %100
78	MP2C	Z	-4.217	-4.217	0 %100
79	M87	X	8.2	8.2	0 %100
80	M87	Z	-4.734	-4.734	0 %100
81	M88	X	2.851	2.851	0 %100
82	M88	Z	-1.646	-1.646	0 %100
83	M89	X	2.851	2.851	0 %100
84	M89	Z	-1.646	-1.646	0 %100
85	M90	X	4.613	4.613	0 %100
86	M90	Z	-2.663	-2.663	0 %100
87	M93	X	2.562	2.562	0 %100
88	M93	Z	-1.479	-1.479	0 %100
89	M94	X	10.246	10.246	0 %100
90	M94	Z	-5.916	-5.916	0 %100
91	M98	X	13.839	13.839	0 %100
92	M98	Z	-7.99	-7.99	0 %100
93	M99	X	4.698	4.698	0 %100
94	M99	Z	-2.713	-2.713	0 %100
95	M101A	X	4.949	4.949	0 %100
96	M101A	Z	-2.857	-2.857	0 %100
97	M103	X	13.839	13.839	0 %100
98	M103	Z	-7.99	-7.99	0 %100
99	M104	X	18.794	18.794	0 %100
100	M104	Z	-10.85	-10.85	0 %100
101	M106	X	19.795	19.795	0 %100
102	M106	Z	-11.429	-11.429	0 %100
103	M111	X	2.691	2.691	0 %100
104	M111	Z	-1.554	-1.554	0 %100
105	MP1B	X	7.304	7.304	0 %100
106	MP1B	Z	-4.217	-4.217	0 %100
107	MP3B	X	7.304	7.304	0 %100
108	MP3B	Z	-4.217	-4.217	0 %100

Member Distributed Loads (BLC 43 : Structure Wo (60 Deg)) (Continued)

	Member Label	Direction	Start Magnitude[lb/ft....	End Magnitude[lb/ft....	Start Location[ft,%]	End Location[ft,%]
109	MP4B	X	7.304	7.304	0	%100
110	MP4B	Z	-4.217	-4.217	0	%100
111	MP5B	X	7.304	7.304	0	%100
112	MP5B	Z	-4.217	-4.217	0	%100
113	OVP2	X	6.656	6.656	0	%100
114	OVP2	Z	-3.843	-3.843	0	%100
115	M126	X	2.691	2.691	0	%100
116	M126	Z	-1.554	-1.554	0	%100
117	MP2B	X	7.304	7.304	0	%100
118	MP2B	Z	-4.217	-4.217	0	%100
119	M136	X	2.043	2.043	0	%100
120	M136	Z	-1.18	-1.18	0	%100
121	M137	X	8.172	8.172	0	%100
122	M137	Z	-4.718	-4.718	0	%100
123	M138	X	2.043	2.043	0	%100
124	M138	Z	-1.18	-1.18	0	%100
125	M140	X	10.026	10.026	0	%100
126	M140	Z	-5.788	-5.788	0	%100
127	M142	X	6.447	6.447	0	%100
128	M142	Z	-3.722	-3.722	0	%100
129	M144	X	10.026	10.026	0	%100
130	M144	Z	-5.788	-5.788	0	%100

Member Distributed Loads (BLC 44 : Structure Wo (90 Deg))

	Member Label	Direction	Start Magnitude[lb/ft....	End Magnitude[lb/ft....	Start Location[ft,%]	End Location[ft,%]
1	M25	X	12.61	12.61	0	%100
2	M25	Z	0	0	0	%100
3	M26	X	0	0	0	%100
4	M26	Z	0	0	0	%100
5	M27	X	0	0	0	%100
6	M27	Z	0	0	0	%100
7	M28	X	0	0	0	%100
8	M28	Z	0	0	0	%100
9	M31	X	8.873	8.873	0	%100
10	M31	Z	0	0	0	%100
11	M32	X	8.873	8.873	0	%100
12	M32	Z	0	0	0	%100
13	M36	X	21.306	21.306	0	%100
14	M36	Z	0	0	0	%100
15	M37	X	16.276	16.276	0	%100
16	M37	Z	0	0	0	%100
17	M39	X	17.143	17.143	0	%100
18	M39	Z	0	0	0	%100
19	M41	X	21.306	21.306	0	%100
20	M41	Z	0	0	0	%100
21	M42	X	16.276	16.276	0	%100
22	M42	Z	0	0	0	%100
23	M44	X	17.143	17.143	0	%100
24	M44	Z	0	0	0	%100
25	FACE	X	0	0	0	%100
26	FACE	Z	0	0	0	%100
27	MP1A	X	8.434	8.434	0	%100
28	MP1A	Z	0	0	0	%100
29	MP3A	X	8.434	8.434	0	%100
30	MP3A	Z	0	0	0	%100
31	MP4A	X	8.434	8.434	0	%100
32	MP4A	Z	0	0	0	%100
33	MP5A	X	8.434	8.434	0	%100

Member Distributed Loads (BLC 44 : Structure Wo (90 Deg)) (Continued)

Member Label	Direction	Start Magnitude[lb/ft....]	End Magnitude[lb/ft....]	Start Location[ft.%]	End Location[ft.%]	
34	MP5A	Z	0	0	%100	
35	OVP1	X	7.686	7.686	0	%100
36	OVP1	Z	0	0	0	%100
37	M40A	X	0	0	0	%100
38	M40A	Z	0	0	0	%100
39	MP2A	X	8.434	8.434	0	%100
40	MP2A	Z	0	0	0	%100
41	M44A	X	3.156	3.156	0	%100
42	M44A	Z	0	0	0	%100
43	M45A	X	9.876	9.876	0	%100
44	M45A	Z	0	0	0	%100
45	M46A	X	9.876	9.876	0	%100
46	M46A	Z	0	0	0	%100
47	M47A	X	15.98	15.98	0	%100
48	M47A	Z	0	0	0	%100
49	M50	X	8.873	8.873	0	%100
50	M50	Z	0	0	0	%100
51	M51	X	0	0	0	%100
52	M51	Z	0	0	0	%100
53	M55	X	5.327	5.327	0	%100
54	M55	Z	0	0	0	%100
55	M56	X	16.276	16.276	0	%100
56	M56	Z	0	0	0	%100
57	M58	X	17.143	17.143	0	%100
58	M58	Z	0	0	0	%100
59	M60	X	5.327	5.327	0	%100
60	M60	Z	0	0	0	%100
61	M61	X	0	0	0	%100
62	M61	Z	0	0	0	%100
63	M63	X	0	0	0	%100
64	M63	Z	0	0	0	%100
65	M68	X	9.322	9.322	0	%100
66	M68	Z	0	0	0	%100
67	MP1C	X	8.434	8.434	0	%100
68	MP1C	Z	0	0	0	%100
69	MP3C	X	8.434	8.434	0	%100
70	MP3C	Z	0	0	0	%100
71	MP4C	X	8.434	8.434	0	%100
72	MP4C	Z	0	0	0	%100
73	MP5C	X	8.434	8.434	0	%100
74	MP5C	Z	0	0	0	%100
75	M83	X	9.322	9.322	0	%100
76	M83	Z	0	0	0	%100
77	MP2C	X	8.434	8.434	0	%100
78	MP2C	Z	0	0	0	%100
79	M87	X	3.156	3.156	0	%100
80	M87	Z	0	0	0	%100
81	M88	X	9.876	9.876	0	%100
82	M88	Z	0	0	0	%100
83	M89	X	9.876	9.876	0	%100
84	M89	Z	0	0	0	%100
85	M90	X	15.98	15.98	0	%100
86	M90	Z	0	0	0	%100
87	M93	X	0	0	0	%100
88	M93	Z	0	0	0	%100
89	M94	X	8.873	8.873	0	%100
90	M94	Z	0	0	0	%100
91	M98	X	5.327	5.327	0	%100
92	M98	Z	0	0	0	%100

Member Distributed Loads (BLC 44 : Structure Wo (90 Deg)) (Continued)

	Member Label	Direction	Start Magnitude[lb/ft....	End Magnitude[lb/ft....	Start Location[ft, %]	End Location[ft, %]
93	M99	X	0	0	0	%100
94	M99	Z	0	0	0	%100
95	M101A	X	0	0	0	%100
96	M101A	Z	0	0	0	%100
97	M103	X	5.327	5.327	0	%100
98	M103	Z	0	0	0	%100
99	M104	X	16.276	16.276	0	%100
100	M104	Z	0	0	0	%100
101	M106	X	17.143	17.143	0	%100
102	M106	Z	0	0	0	%100
103	M111	X	9.322	9.322	0	%100
104	M111	Z	0	0	0	%100
105	MP1B	X	8.434	8.434	0	%100
106	MP1B	Z	0	0	0	%100
107	MP3B	X	8.434	8.434	0	%100
108	MP3B	Z	0	0	0	%100
109	MP4B	X	8.434	8.434	0	%100
110	MP4B	Z	0	0	0	%100
111	MP5B	X	8.434	8.434	0	%100
112	MP5B	Z	0	0	0	%100
113	OVP2	X	7.686	7.686	0	%100
114	OVP2	Z	0	0	0	%100
115	M126	X	9.322	9.322	0	%100
116	M126	Z	0	0	0	%100
117	MP2B	X	8.434	8.434	0	%100
118	MP2B	Z	0	0	0	%100
119	M136	X	0	0	0	%100
120	M136	Z	0	0	0	%100
121	M137	X	7.077	7.077	0	%100
122	M137	Z	0	0	0	%100
123	M138	X	7.077	7.077	0	%100
124	M138	Z	0	0	0	%100
125	M140	X	12.954	12.954	0	%100
126	M140	Z	0	0	0	%100
127	M142	X	8.822	8.822	0	%100
128	M142	Z	0	0	0	%100
129	M144	X	8.822	8.822	0	%100
130	M144	Z	0	0	0	%100

Member Distributed Loads (BLC 45 : Structure Wo (120 Deg))

	Member Label	Direction	Start Magnitude[lb/ft....	End Magnitude[lb/ft....	Start Location[ft, %]	End Location[ft, %]
1	M25	X	8.19	8.19	0	%100
2	M25	Z	4.729	4.729	0	%100
3	M26	X	2.851	2.851	0	%100
4	M26	Z	1.646	1.646	0	%100
5	M27	X	2.851	2.851	0	%100
6	M27	Z	1.646	1.646	0	%100
7	M28	X	4.613	4.613	0	%100
8	M28	Z	2.663	2.663	0	%100
9	M31	X	2.562	2.562	0	%100
10	M31	Z	1.479	1.479	0	%100
11	M32	X	10.246	10.246	0	%100
12	M32	Z	5.916	5.916	0	%100
13	M36	X	13.839	13.839	0	%100
14	M36	Z	7.99	7.99	0	%100
15	M37	X	4.698	4.698	0	%100
16	M37	Z	2.713	2.713	0	%100
17	M39	X	4.949	4.949	0	%100

Member Distributed Loads (BLC 45 : Structure Wo (120 Deg)) (Continued)

Member Label	Direction	Start Magnitude[lb/ft....]	End Magnitude[lb/ft....]	Start Location[ft.%]	End Location[ft.%]
18	M39	Z	2.857	2.857	0 %100
19	M41	X	13.839	13.839	0 %100
20	M41	Z	7.99	7.99	0 %100
21	M42	X	18.794	18.794	0 %100
22	M42	Z	10.85	10.85	0 %100
23	M44	X	19.795	19.795	0 %100
24	M44	Z	11.429	11.429	0 %100
25	FACE	X	2.691	2.691	0 %100
26	FACE	Z	1.554	1.554	0 %100
27	MP1A	X	7.304	7.304	0 %100
28	MP1A	Z	4.217	4.217	0 %100
29	MP3A	X	7.304	7.304	0 %100
30	MP3A	Z	4.217	4.217	0 %100
31	MP4A	X	7.304	7.304	0 %100
32	MP4A	Z	4.217	4.217	0 %100
33	MP5A	X	7.304	7.304	0 %100
34	MP5A	Z	4.217	4.217	0 %100
35	OVP1	X	6.656	6.656	0 %100
36	OVP1	Z	3.843	3.843	0 %100
37	M40A	X	2.691	2.691	0 %100
38	M40A	Z	1.554	1.554	0 %100
39	MP2A	X	7.304	7.304	0 %100
40	MP2A	Z	4.217	4.217	0 %100
41	M44A	X	8.2	8.2	0 %100
42	M44A	Z	4.734	4.734	0 %100
43	M45A	X	2.851	2.851	0 %100
44	M45A	Z	1.646	1.646	0 %100
45	M46A	X	2.851	2.851	0 %100
46	M46A	Z	1.646	1.646	0 %100
47	M47A	X	4.613	4.613	0 %100
48	M47A	Z	2.663	2.663	0 %100
49	M50	X	10.246	10.246	0 %100
50	M50	Z	5.916	5.916	0 %100
51	M51	X	2.562	2.562	0 %100
52	M51	Z	1.479	1.479	0 %100
53	M55	X	13.839	13.839	0 %100
54	M55	Z	7.99	7.99	0 %100
55	M56	X	18.794	18.794	0 %100
56	M56	Z	10.85	10.85	0 %100
57	M58	X	19.795	19.795	0 %100
58	M58	Z	11.429	11.429	0 %100
59	M60	X	13.839	13.839	0 %100
60	M60	Z	7.99	7.99	0 %100
61	M61	X	4.698	4.698	0 %100
62	M61	Z	2.713	2.713	0 %100
63	M63	X	4.949	4.949	0 %100
64	M63	Z	2.857	2.857	0 %100
65	M68	X	2.691	2.691	0 %100
66	M68	Z	1.554	1.554	0 %100
67	MP1C	X	7.304	7.304	0 %100
68	MP1C	Z	4.217	4.217	0 %100
69	MP3C	X	7.304	7.304	0 %100
70	MP3C	Z	4.217	4.217	0 %100
71	MP4C	X	7.304	7.304	0 %100
72	MP4C	Z	4.217	4.217	0 %100
73	MP5C	X	7.304	7.304	0 %100
74	MP5C	Z	4.217	4.217	0 %100
75	M83	X	2.691	2.691	0 %100
76	M83	Z	1.554	1.554	0 %100

Member Distributed Loads (BLC 45 : Structure Wo (120 Deg)) (Continued)

	Member Label	Direction	Start Magnitude[lb/ft....	End Magnitude[lb/ft....	Start Location[ft.%]	End Location[ft.%]
77	MP2C	X	7.304	7.304	0	%100
78	MP2C	Z	4.217	4.217	0	%100
79	M87	X	0	0	0	%100
80	M87	Z	0	0	0	%100
81	M88	X	11.404	11.404	0	%100
82	M88	Z	6.584	6.584	0	%100
83	M89	X	11.404	11.404	0	%100
84	M89	Z	6.584	6.584	0	%100
85	M90	X	18.452	18.452	0	%100
86	M90	Z	10.653	10.653	0	%100
87	M93	X	2.562	2.562	0	%100
88	M93	Z	1.479	1.479	0	%100
89	M94	X	2.562	2.562	0	%100
90	M94	Z	1.479	1.479	0	%100
91	M98	X	0	0	0	%100
92	M98	Z	0	0	0	%100
93	M99	X	4.698	4.698	0	%100
94	M99	Z	2.713	2.713	0	%100
95	M101A	X	4.949	4.949	0	%100
96	M101A	Z	2.857	2.857	0	%100
97	M103	X	0	0	0	%100
98	M103	Z	0	0	0	%100
99	M104	X	4.698	4.698	0	%100
100	M104	Z	2.713	2.713	0	%100
101	M106	X	4.949	4.949	0	%100
102	M106	Z	2.857	2.857	0	%100
103	M111	X	10.764	10.764	0	%100
104	M111	Z	6.214	6.214	0	%100
105	MP1B	X	7.304	7.304	0	%100
106	MP1B	Z	4.217	4.217	0	%100
107	MP3B	X	7.304	7.304	0	%100
108	MP3B	Z	4.217	4.217	0	%100
109	MP4B	X	7.304	7.304	0	%100
110	MP4B	Z	4.217	4.217	0	%100
111	MP5B	X	7.304	7.304	0	%100
112	MP5B	Z	4.217	4.217	0	%100
113	OVP2	X	6.656	6.656	0	%100
114	OVP2	Z	3.843	3.843	0	%100
115	M126	X	10.764	10.764	0	%100
116	M126	Z	6.214	6.214	0	%100
117	MP2B	X	7.304	7.304	0	%100
118	MP2B	Z	4.217	4.217	0	%100
119	M136	X	2.043	2.043	0	%100
120	M136	Z	1.18	1.18	0	%100
121	M137	X	2.043	2.043	0	%100
122	M137	Z	1.18	1.18	0	%100
123	M138	X	8.172	8.172	0	%100
124	M138	Z	4.718	4.718	0	%100
125	M140	X	10.026	10.026	0	%100
126	M140	Z	5.788	5.788	0	%100
127	M142	X	10.026	10.026	0	%100
128	M142	Z	5.788	5.788	0	%100
129	M144	X	6.447	6.447	0	%100
130	M144	Z	3.722	3.722	0	%100

Member Distributed Loads (BLC 46 : Structure Wo (150 Deg))

	Member Label	Direction	Start Magnitude[lb/ft....	End Magnitude[lb/ft....	Start Location[ft.%]	End Location[ft.%]
1	M25	X	1.576	1.576	0	%100

Member Distributed Loads (BLC 46 : Structure Wo (150 Deg)) (Continued)

Member Label	Direction	Start Magnitude lb/ft....	End Magnitude lb/ft....	Start Location ft.%	End Location ft.%
2	M25	Z	2.73	2.73	0 %100
3	M26	X	4.938	4.938	0 %100
4	M26	Z	8.553	8.553	0 %100
5	M27	X	4.938	4.938	0 %100
6	M27	Z	8.553	8.553	0 %100
7	M28	X	7.99	7.99	0 %100
8	M28	Z	13.839	13.839	0 %100
9	M31	X	0	0	0 %100
10	M31	Z	0	0	0 %100
11	M32	X	4.437	4.437	0 %100
12	M32	Z	7.685	7.685	0 %100
13	M36	X	2.663	2.663	0 %100
14	M36	Z	4.613	4.613	0 %100
15	M37	X	0	0	0 %100
16	M37	Z	0	0	0 %100
17	M39	X	0	0	0 %100
18	M39	Z	0	0	0 %100
19	M41	X	2.663	2.663	0 %100
20	M41	Z	4.613	4.613	0 %100
21	M42	X	8.138	8.138	0 %100
22	M42	Z	14.095	14.095	0 %100
23	M44	X	8.571	8.571	0 %100
24	M44	Z	14.846	14.846	0 %100
25	FACE	X	4.661	4.661	0 %100
26	FACE	Z	8.073	8.073	0 %100
27	MP1A	X	4.217	4.217	0 %100
28	MP1A	Z	7.304	7.304	0 %100
29	MP3A	X	4.217	4.217	0 %100
30	MP3A	Z	7.304	7.304	0 %100
31	MP4A	X	4.217	4.217	0 %100
32	MP4A	Z	7.304	7.304	0 %100
33	MP5A	X	4.217	4.217	0 %100
34	MP5A	Z	7.304	7.304	0 %100
35	OVP1	X	3.843	3.843	0 %100
36	OVP1	Z	6.656	6.656	0 %100
37	M40A	X	4.661	4.661	0 %100
38	M40A	Z	8.073	8.073	0 %100
39	MP2A	X	4.217	4.217	0 %100
40	MP2A	Z	7.304	7.304	0 %100
41	M44A	X	6.312	6.312	0 %100
42	M44A	Z	10.933	10.933	0 %100
43	M45A	X	0	0	0 %100
44	M45A	Z	0	0	0 %100
45	M46A	X	0	0	0 %100
46	M46A	Z	0	0	0 %100
47	M47A	X	0	0	0 %100
48	M47A	Z	0	0	0 %100
49	M50	X	4.437	4.437	0 %100
50	M50	Z	7.685	7.685	0 %100
51	M51	X	4.437	4.437	0 %100
52	M51	Z	7.685	7.685	0 %100
53	M55	X	10.653	10.653	0 %100
54	M55	Z	18.452	18.452	0 %100
55	M56	X	8.138	8.138	0 %100
56	M56	Z	14.095	14.095	0 %100
57	M58	X	8.571	8.571	0 %100
58	M58	Z	14.846	14.846	0 %100
59	M60	X	10.653	10.653	0 %100
60	M60	Z	18.452	18.452	0 %100

Member Distributed Loads (BLC 46 : Structure Wo (150 Deg)) (Continued)

Member Label	Direction	Start Magnitude[lb/ft....	End Magnitude[lb/ft....	Start Location[ft.%]	End Location[ft.%]
61	M61	X	8.138	8.138	0 %100
62	M61	Z	14.095	14.095	0 %100
63	M63	X	8.571	8.571	0 %100
64	M63	Z	14.846	14.846	0 %100
65	M68	X	0	0	0 %100
66	M68	Z	0	0	0 %100
67	MP1C	X	4.217	4.217	0 %100
68	MP1C	Z	7.304	7.304	0 %100
69	MP3C	X	4.217	4.217	0 %100
70	MP3C	Z	7.304	7.304	0 %100
71	MP4C	X	4.217	4.217	0 %100
72	MP4C	Z	7.304	7.304	0 %100
73	MP5C	X	4.217	4.217	0 %100
74	MP5C	Z	7.304	7.304	0 %100
75	M83	X	0	0	0 %100
76	M83	Z	0	0	0 %100
77	MP2C	X	4.217	4.217	0 %100
78	MP2C	Z	7.304	7.304	0 %100
79	M87	X	1.578	1.578	0 %100
80	M87	Z	2.733	2.733	0 %100
81	M88	X	4.938	4.938	0 %100
82	M88	Z	8.553	8.553	0 %100
83	M89	X	4.938	4.938	0 %100
84	M89	Z	8.553	8.553	0 %100
85	M90	X	7.99	7.99	0 %100
86	M90	Z	13.839	13.839	0 %100
87	M93	X	4.437	4.437	0 %100
88	M93	Z	7.685	7.685	0 %100
89	M94	X	0	0	0 %100
90	M94	Z	0	0	0 %100
91	M98	X	2.663	2.663	0 %100
92	M98	Z	4.613	4.613	0 %100
93	M99	X	8.138	8.138	0 %100
94	M99	Z	14.095	14.095	0 %100
95	M101A	X	8.571	8.571	0 %100
96	M101A	Z	14.846	14.846	0 %100
97	M103	X	2.663	2.663	0 %100
98	M103	Z	4.613	4.613	0 %100
99	M104	X	0	0	0 %100
100	M104	Z	0	0	0 %100
101	M106	X	0	0	0 %100
102	M106	Z	0	0	0 %100
103	M111	X	4.661	4.661	0 %100
104	M111	Z	8.073	8.073	0 %100
105	MP1B	X	4.217	4.217	0 %100
106	MP1B	Z	7.304	7.304	0 %100
107	MP3B	X	4.217	4.217	0 %100
108	MP3B	Z	7.304	7.304	0 %100
109	MP4B	X	4.217	4.217	0 %100
110	MP4B	Z	7.304	7.304	0 %100
111	MP5B	X	4.217	4.217	0 %100
112	MP5B	Z	7.304	7.304	0 %100
113	OVP2	X	3.843	3.843	0 %100
114	OVP2	Z	6.656	6.656	0 %100
115	M126	X	4.661	4.661	0 %100
116	M126	Z	8.073	8.073	0 %100
117	MP2B	X	4.217	4.217	0 %100
118	MP2B	Z	7.304	7.304	0 %100
119	M136	X	3.539	3.539	0 %100

Member Distributed Loads (BLC 46 : Structure Wo (150 Deg)) (Continued)

	Member Label	Direction	Start Magnitude[lb/ft....]	End Magnitude[lb/ft....]	Start Location[ft.%]	End Location[ft.%]
120	M136	Z	6.129	6.129	0	%100
121	M137	X	0	0	0	%100
122	M137	Z	0	0	0	%100
123	M138	X	3.539	3.539	0	%100
124	M138	Z	6.129	6.129	0	%100
125	M140	X	4.411	4.411	0	%100
126	M140	Z	7.64	7.64	0	%100
127	M142	X	6.477	6.477	0	%100
128	M142	Z	11.219	11.219	0	%100
129	M144	X	4.411	4.411	0	%100
130	M144	Z	7.64	7.64	0	%100

Member Distributed Loads (BLC 47 : Structure Wo (180 Deg))

	Member Label	Direction	Start Magnitude[lb/ft....]	End Magnitude[lb/ft....]	Start Location[ft.%]	End Location[ft.%]
1	M25	X	0	0	0	%100
2	M25	Z	0	0	0	%100
3	M26	X	0	0	0	%100
4	M26	Z	13.169	13.169	0	%100
5	M27	X	0	0	0	%100
6	M27	Z	13.169	13.169	0	%100
7	M28	X	0	0	0	%100
8	M28	Z	21.306	21.306	0	%100
9	M31	X	0	0	0	%100
10	M31	Z	2.958	2.958	0	%100
11	M32	X	0	0	0	%100
12	M32	Z	2.958	2.958	0	%100
13	M36	X	0	0	0	%100
14	M36	Z	0	0	0	%100
15	M37	X	0	0	0	%100
16	M37	Z	5.425	5.425	0	%100
17	M39	X	0	0	0	%100
18	M39	Z	5.714	5.714	0	%100
19	M41	X	0	0	0	%100
20	M41	Z	0	0	0	%100
21	M42	X	0	0	0	%100
22	M42	Z	5.425	5.425	0	%100
23	M44	X	0	0	0	%100
24	M44	Z	5.714	5.714	0	%100
25	FACE	X	0	0	0	%100
26	FACE	Z	12.429	12.429	0	%100
27	MP1A	X	0	0	0	%100
28	MP1A	Z	8.434	8.434	0	%100
29	MP3A	X	0	0	0	%100
30	MP3A	Z	8.434	8.434	0	%100
31	MP4A	X	0	0	0	%100
32	MP4A	Z	8.434	8.434	0	%100
33	MP5A	X	0	0	0	%100
34	MP5A	Z	8.434	8.434	0	%100
35	OVP1	X	0	0	0	%100
36	OVP1	Z	7.686	7.686	0	%100
37	M40A	X	0	0	0	%100
38	M40A	Z	12.429	12.429	0	%100
39	MP2A	X	0	0	0	%100
40	MP2A	Z	8.434	8.434	0	%100
41	M44A	X	0	0	0	%100
42	M44A	Z	9.468	9.468	0	%100
43	M45A	X	0	0	0	%100
44	M45A	Z	3.292	3.292	0	%100

Member Distributed Loads (BLC 47 : Structure Wo (180 Deg)) (Continued)

Member Label	Direction	Start Magnitude[lb/ft....	End Magnitude[lb/ft....	Start Location[ft.%]	End Location[ft.%]
45	M46A	X	0	0	%100
46	M46A	Z	3.292	3.292	%100
47	M47A	X	0	0	%100
48	M47A	Z	5.327	5.327	%100
49	M50	X	0	0	%100
50	M50	Z	2.958	2.958	%100
51	M51	X	0	0	%100
52	M51	Z	11.831	11.831	%100
53	M55	X	0	0	%100
54	M55	Z	15.98	15.98	%100
55	M56	X	0	0	%100
56	M56	Z	5.425	5.425	%100
57	M58	X	0	0	%100
58	M58	Z	5.714	5.714	%100
59	M60	X	0	0	%100
60	M60	Z	15.98	15.98	%100
61	M61	X	0	0	%100
62	M61	Z	21.701	21.701	%100
63	M63	X	0	0	%100
64	M63	Z	22.857	22.857	%100
65	M68	X	0	0	%100
66	M68	Z	3.107	3.107	%100
67	MP1C	X	0	0	%100
68	MP1C	Z	8.434	8.434	%100
69	MP3C	X	0	0	%100
70	MP3C	Z	8.434	8.434	%100
71	MP4C	X	0	0	%100
72	MP4C	Z	8.434	8.434	%100
73	MP5C	X	0	0	%100
74	MP5C	Z	8.434	8.434	%100
75	M83	X	0	0	%100
76	M83	Z	3.107	3.107	%100
77	MP2C	X	0	0	%100
78	MP2C	Z	8.434	8.434	%100
79	M87	X	0	0	%100
80	M87	Z	9.468	9.468	%100
81	M88	X	0	0	%100
82	M88	Z	3.292	3.292	%100
83	M89	X	0	0	%100
84	M89	Z	3.292	3.292	%100
85	M90	X	0	0	%100
86	M90	Z	5.327	5.327	%100
87	M93	X	0	0	%100
88	M93	Z	11.831	11.831	%100
89	M94	X	0	0	%100
90	M94	Z	2.958	2.958	%100
91	M98	X	0	0	%100
92	M98	Z	15.98	15.98	%100
93	M99	X	0	0	%100
94	M99	Z	21.701	21.701	%100
95	M101A	X	0	0	%100
96	M101A	Z	22.857	22.857	%100
97	M103	X	0	0	%100
98	M103	Z	15.98	15.98	%100
99	M104	X	0	0	%100
100	M104	Z	5.425	5.425	%100
101	M106	X	0	0	%100
102	M106	Z	5.714	5.714	%100
103	M111	X	0	0	%100

Member Distributed Loads (BLC 47 : Structure Wo (180 Deg)) (Continued)

	Member Label	Direction	Start Magnitude[lb/ft....]	End Magnitude[lb/ft....]	Start Location[ft.%]	End Location[ft.%]
104	M111	Z	3.107	3.107	0	%100
105	MP1B	X	0	0	0	%100
106	MP1B	Z	8.434	8.434	0	%100
107	MP3B	X	0	0	0	%100
108	MP3B	Z	8.434	8.434	0	%100
109	MP4B	X	0	0	0	%100
110	MP4B	Z	8.434	8.434	0	%100
111	MP5B	X	0	0	0	%100
112	MP5B	Z	8.434	8.434	0	%100
113	OVP2	X	0	0	0	%100
114	OVP2	Z	7.686	7.686	0	%100
115	M126	X	0	0	0	%100
116	M126	Z	3.107	3.107	0	%100
117	MP2B	X	0	0	0	%100
118	MP2B	Z	8.434	8.434	0	%100
119	M136	X	0	0	0	%100
120	M136	Z	9.437	9.437	0	%100
121	M137	X	0	0	0	%100
122	M137	Z	2.359	2.359	0	%100
123	M138	X	0	0	0	%100
124	M138	Z	2.359	2.359	0	%100
125	M140	X	0	0	0	%100
126	M140	Z	7.444	7.444	0	%100
127	M142	X	0	0	0	%100
128	M142	Z	11.577	11.577	0	%100
129	M144	X	0	0	0	%100
130	M144	Z	11.577	11.577	0	%100

Member Distributed Loads (BLC 48 : Structure Wo (210 Deg))

	Member Label	Direction	Start Magnitude[lb/ft....]	End Magnitude[lb/ft....]	Start Location[ft.%]	End Location[ft.%]
1	M25	X	-1.576	-1.576	0	%100
2	M25	Z	2.73	2.73	0	%100
3	M26	X	-4.938	-4.938	0	%100
4	M26	Z	8.553	8.553	0	%100
5	M27	X	-4.938	-4.938	0	%100
6	M27	Z	8.553	8.553	0	%100
7	M28	X	-7.99	-7.99	0	%100
8	M28	Z	13.839	13.839	0	%100
9	M31	X	-4.437	-4.437	0	%100
10	M31	Z	7.685	7.685	0	%100
11	M32	X	0	0	0	%100
12	M32	Z	0	0	0	%100
13	M36	X	-2.663	-2.663	0	%100
14	M36	Z	4.613	4.613	0	%100
15	M37	X	-8.138	-8.138	0	%100
16	M37	Z	14.095	14.095	0	%100
17	M39	X	-8.571	-8.571	0	%100
18	M39	Z	14.846	14.846	0	%100
19	M41	X	-2.663	-2.663	0	%100
20	M41	Z	4.613	4.613	0	%100
21	M42	X	0	0	0	%100
22	M42	Z	0	0	0	%100
23	M44	X	0	0	0	%100
24	M44	Z	0	0	0	%100
25	FACE	X	-4.661	-4.661	0	%100
26	FACE	Z	8.073	8.073	0	%100
27	MP1A	X	-4.217	-4.217	0	%100
28	MP1A	Z	7.304	7.304	0	%100

Member Distributed Loads (BLC 48 : Structure Wo (210 Deg)) (Continued)

	Member Label	Direction	Start Magnitude[lb/ft....	End Magnitude[lb/ft....	Start Location[ft.%]	End Location[ft.%]
29	MP3A	X	-4.217	-4.217	0	%100
30	MP3A	Z	7.304	7.304	0	%100
31	MP4A	X	-4.217	-4.217	0	%100
32	MP4A	Z	7.304	7.304	0	%100
33	MP5A	X	-4.217	-4.217	0	%100
34	MP5A	Z	7.304	7.304	0	%100
35	OVP1	X	-3.843	-3.843	0	%100
36	OVP1	Z	6.656	6.656	0	%100
37	M40A	X	-4.661	-4.661	0	%100
38	M40A	Z	8.073	8.073	0	%100
39	MP2A	X	-4.217	-4.217	0	%100
40	MP2A	Z	7.304	7.304	0	%100
41	M44A	X	-1.578	-1.578	0	%100
42	M44A	Z	2.733	2.733	0	%100
43	M45A	X	-4.938	-4.938	0	%100
44	M45A	Z	8.553	8.553	0	%100
45	M46A	X	-4.938	-4.938	0	%100
46	M46A	Z	8.553	8.553	0	%100
47	M47A	X	-7.99	-7.99	0	%100
48	M47A	Z	13.839	13.839	0	%100
49	M50	X	0	0	0	%100
50	M50	Z	0	0	0	%100
51	M51	X	-4.437	-4.437	0	%100
52	M51	Z	7.685	7.685	0	%100
53	M55	X	-2.663	-2.663	0	%100
54	M55	Z	4.613	4.613	0	%100
55	M56	X	0	0	0	%100
56	M56	Z	0	0	0	%100
57	M58	X	0	0	0	%100
58	M58	Z	0	0	0	%100
59	M60	X	-2.663	-2.663	0	%100
60	M60	Z	4.613	4.613	0	%100
61	M61	X	-8.138	-8.138	0	%100
62	M61	Z	14.095	14.095	0	%100
63	M63	X	-8.571	-8.571	0	%100
64	M63	Z	14.846	14.846	0	%100
65	M68	X	-4.661	-4.661	0	%100
66	M68	Z	8.073	8.073	0	%100
67	MP1C	X	-4.217	-4.217	0	%100
68	MP1C	Z	7.304	7.304	0	%100
69	MP3C	X	-4.217	-4.217	0	%100
70	MP3C	Z	7.304	7.304	0	%100
71	MP4C	X	-4.217	-4.217	0	%100
72	MP4C	Z	7.304	7.304	0	%100
73	MP5C	X	-4.217	-4.217	0	%100
74	MP5C	Z	7.304	7.304	0	%100
75	M83	X	-4.661	-4.661	0	%100
76	M83	Z	8.073	8.073	0	%100
77	MP2C	X	-4.217	-4.217	0	%100
78	MP2C	Z	7.304	7.304	0	%100
79	M87	X	-6.312	-6.312	0	%100
80	M87	Z	10.933	10.933	0	%100
81	M88	X	0	0	0	%100
82	M88	Z	0	0	0	%100
83	M89	X	0	0	0	%100
84	M89	Z	0	0	0	%100
85	M90	X	0	0	0	%100
86	M90	Z	0	0	0	%100
87	M93	X	-4.437	-4.437	0	%100

Member Distributed Loads (BLC 48 : Structure Wo (210 Deg)) (Continued)

	Member Label	Direction	Start Magnitude[lb/ft....	End Magnitude[lb/ft....	Start Location[ft.%]	End Location[ft.%]
88	M93	Z	7.685	7.685	0	%100
89	M94	X	-4.437	-4.437	0	%100
90	M94	Z	7.685	7.685	0	%100
91	M98	X	-10.653	-10.653	0	%100
92	M98	Z	18.452	18.452	0	%100
93	M99	X	-8.138	-8.138	0	%100
94	M99	Z	14.095	14.095	0	%100
95	M101A	X	-8.571	-8.571	0	%100
96	M101A	Z	14.846	14.846	0	%100
97	M103	X	-10.653	-10.653	0	%100
98	M103	Z	18.452	18.452	0	%100
99	M104	X	-8.138	-8.138	0	%100
100	M104	Z	14.095	14.095	0	%100
101	M106	X	-8.571	-8.571	0	%100
102	M106	Z	14.846	14.846	0	%100
103	M111	X	0	0	0	%100
104	M111	Z	0	0	0	%100
105	MP1B	X	-4.217	-4.217	0	%100
106	MP1B	Z	7.304	7.304	0	%100
107	MP3B	X	-4.217	-4.217	0	%100
108	MP3B	Z	7.304	7.304	0	%100
109	MP4B	X	-4.217	-4.217	0	%100
110	MP4B	Z	7.304	7.304	0	%100
111	MP5B	X	-4.217	-4.217	0	%100
112	MP5B	Z	7.304	7.304	0	%100
113	OVP2	X	-3.843	-3.843	0	%100
114	OVP2	Z	6.656	6.656	0	%100
115	M126	X	0	0	0	%100
116	M126	Z	0	0	0	%100
117	MP2B	X	-4.217	-4.217	0	%100
118	MP2B	Z	7.304	7.304	0	%100
119	M136	X	-3.539	-3.539	0	%100
120	M136	Z	6.129	6.129	0	%100
121	M137	X	-3.539	-3.539	0	%100
122	M137	Z	6.129	6.129	0	%100
123	M138	X	0	0	0	%100
124	M138	Z	0	0	0	%100
125	M140	X	-4.411	-4.411	0	%100
126	M140	Z	7.64	7.64	0	%100
127	M142	X	-4.411	-4.411	0	%100
128	M142	Z	7.64	7.64	0	%100
129	M144	X	-6.477	-6.477	0	%100
130	M144	Z	11.219	11.219	0	%100

Member Distributed Loads (BLC 49 : Structure Wo (240 Deg))

	Member Label	Direction	Start Magnitude[lb/ft....	End Magnitude[lb/ft....	Start Location[ft.%]	End Location[ft.%]
1	M25	X	-8.19	-8.19	0	%100
2	M25	Z	4.729	4.729	0	%100
3	M26	X	-2.851	-2.851	0	%100
4	M26	Z	1.646	1.646	0	%100
5	M27	X	-2.851	-2.851	0	%100
6	M27	Z	1.646	1.646	0	%100
7	M28	X	-4.613	-4.613	0	%100
8	M28	Z	2.663	2.663	0	%100
9	M31	X	-10.246	-10.246	0	%100
10	M31	Z	5.916	5.916	0	%100
11	M32	X	-2.562	-2.562	0	%100
12	M32	Z	1.479	1.479	0	%100

Member Distributed Loads (BLC 49 : Structure Wo (240 Deg)) (Continued)

Member Label	Direction	Start Magnitude[lb/ft....	End Magnitude[lb/ft....	Start Location[ft.%]	End Location[ft.%]
13	M36	X	-13.839	-13.839	0 %100
14	M36	Z	7.99	7.99	0 %100
15	M37	X	-18.794	-18.794	0 %100
16	M37	Z	10.85	10.85	0 %100
17	M39	X	-19.795	-19.795	0 %100
18	M39	Z	11.429	11.429	0 %100
19	M41	X	-13.839	-13.839	0 %100
20	M41	Z	7.99	7.99	0 %100
21	M42	X	-4.698	-4.698	0 %100
22	M42	Z	2.713	2.713	0 %100
23	M44	X	-4.949	-4.949	0 %100
24	M44	Z	2.857	2.857	0 %100
25	FACE	X	-2.691	-2.691	0 %100
26	FACE	Z	1.554	1.554	0 %100
27	MP1A	X	-7.304	-7.304	0 %100
28	MP1A	Z	4.217	4.217	0 %100
29	MP3A	X	-7.304	-7.304	0 %100
30	MP3A	Z	4.217	4.217	0 %100
31	MP4A	X	-7.304	-7.304	0 %100
32	MP4A	Z	4.217	4.217	0 %100
33	MP5A	X	-7.304	-7.304	0 %100
34	MP5A	Z	4.217	4.217	0 %100
35	OVP1	X	-6.656	-6.656	0 %100
36	OVP1	Z	3.843	3.843	0 %100
37	M40A	X	-2.691	-2.691	0 %100
38	M40A	Z	1.554	1.554	0 %100
39	MP2A	X	-7.304	-7.304	0 %100
40	MP2A	Z	4.217	4.217	0 %100
41	M44A	X	0	0	0 %100
42	M44A	Z	0	0	0 %100
43	M45A	X	-11.404	-11.404	0 %100
44	M45A	Z	6.584	6.584	0 %100
45	M46A	X	-11.404	-11.404	0 %100
46	M46A	Z	6.584	6.584	0 %100
47	M47A	X	-18.452	-18.452	0 %100
48	M47A	Z	10.653	10.653	0 %100
49	M50	X	-2.562	-2.562	0 %100
50	M50	Z	1.479	1.479	0 %100
51	M51	X	-2.562	-2.562	0 %100
52	M51	Z	1.479	1.479	0 %100
53	M55	X	0	0	0 %100
54	M55	Z	0	0	0 %100
55	M56	X	-4.698	-4.698	0 %100
56	M56	Z	2.713	2.713	0 %100
57	M58	X	-4.949	-4.949	0 %100
58	M58	Z	2.857	2.857	0 %100
59	M60	X	0	0	0 %100
60	M60	Z	0	0	0 %100
61	M61	X	-4.698	-4.698	0 %100
62	M61	Z	2.713	2.713	0 %100
63	M63	X	-4.949	-4.949	0 %100
64	M63	Z	2.857	2.857	0 %100
65	M68	X	-10.764	-10.764	0 %100
66	M68	Z	6.214	6.214	0 %100
67	MP1C	X	-7.304	-7.304	0 %100
68	MP1C	Z	4.217	4.217	0 %100
69	MP3C	X	-7.304	-7.304	0 %100
70	MP3C	Z	4.217	4.217	0 %100
71	MP4C	X	-7.304	-7.304	0 %100

Member Distributed Loads (BLC 49 : Structure Wo (240 Deg)) (Continued)

Member Label	Direction	Start Magnitude[lb/ft....]	End Magnitude[lb/ft....]	Start Location[ft.%]	End Location[ft.%]
72	MP4C	Z	4.217	4.217	0 %100
73	MP5C	X	-7.304	-7.304	0 %100
74	MP5C	Z	4.217	4.217	0 %100
75	M83	X	-10.764	-10.764	0 %100
76	M83	Z	6.214	6.214	0 %100
77	MP2C	X	-7.304	-7.304	0 %100
78	MP2C	Z	4.217	4.217	0 %100
79	M87	X	-8.2	-8.2	0 %100
80	M87	Z	4.734	4.734	0 %100
81	M88	X	-2.851	-2.851	0 %100
82	M88	Z	1.646	1.646	0 %100
83	M89	X	-2.851	-2.851	0 %100
84	M89	Z	1.646	1.646	0 %100
85	M90	X	-4.613	-4.613	0 %100
86	M90	Z	2.663	2.663	0 %100
87	M93	X	-2.562	-2.562	0 %100
88	M93	Z	1.479	1.479	0 %100
89	M94	X	-10.246	-10.246	0 %100
90	M94	Z	5.916	5.916	0 %100
91	M98	X	-13.839	-13.839	0 %100
92	M98	Z	7.99	7.99	0 %100
93	M99	X	-4.698	-4.698	0 %100
94	M99	Z	2.713	2.713	0 %100
95	M101A	X	-4.949	-4.949	0 %100
96	M101A	Z	2.857	2.857	0 %100
97	M103	X	-13.839	-13.839	0 %100
98	M103	Z	7.99	7.99	0 %100
99	M104	X	-18.794	-18.794	0 %100
100	M104	Z	10.85	10.85	0 %100
101	M106	X	-19.795	-19.795	0 %100
102	M106	Z	11.429	11.429	0 %100
103	M111	X	-2.691	-2.691	0 %100
104	M111	Z	1.554	1.554	0 %100
105	MP1B	X	-7.304	-7.304	0 %100
106	MP1B	Z	4.217	4.217	0 %100
107	MP3B	X	-7.304	-7.304	0 %100
108	MP3B	Z	4.217	4.217	0 %100
109	MP4B	X	-7.304	-7.304	0 %100
110	MP4B	Z	4.217	4.217	0 %100
111	MP5B	X	-7.304	-7.304	0 %100
112	MP5B	Z	4.217	4.217	0 %100
113	OVP2	X	-6.656	-6.656	0 %100
114	OVP2	Z	3.843	3.843	0 %100
115	M126	X	-2.691	-2.691	0 %100
116	M126	Z	1.554	1.554	0 %100
117	MP2B	X	-7.304	-7.304	0 %100
118	MP2B	Z	4.217	4.217	0 %100
119	M136	X	-2.043	-2.043	0 %100
120	M136	Z	1.18	1.18	0 %100
121	M137	X	-8.172	-8.172	0 %100
122	M137	Z	4.718	4.718	0 %100
123	M138	X	-2.043	-2.043	0 %100
124	M138	Z	1.18	1.18	0 %100
125	M140	X	-10.026	-10.026	0 %100
126	M140	Z	5.788	5.788	0 %100
127	M142	X	-6.447	-6.447	0 %100
128	M142	Z	3.722	3.722	0 %100
129	M144	X	-10.026	-10.026	0 %100
130	M144	Z	5.788	5.788	0 %100

Member Distributed Loads (BLC 50 : Structure Wo (270 Deg))

	Member Label	Direction	Start Magnitude[lb/ft....	End Magnitude[lb/ft....	Start Location[ft.%]	End Location[ft.%]
1	M25	X	-12.61	-12.61	0	%100
2	M25	Z	0	0	0	%100
3	M26	X	0	0	0	%100
4	M26	Z	0	0	0	%100
5	M27	X	0	0	0	%100
6	M27	Z	0	0	0	%100
7	M28	X	0	0	0	%100
8	M28	Z	0	0	0	%100
9	M31	X	-8.873	-8.873	0	%100
10	M31	Z	0	0	0	%100
11	M32	X	-8.873	-8.873	0	%100
12	M32	Z	0	0	0	%100
13	M36	X	-21.306	-21.306	0	%100
14	M36	Z	0	0	0	%100
15	M37	X	-16.276	-16.276	0	%100
16	M37	Z	0	0	0	%100
17	M39	X	-17.143	-17.143	0	%100
18	M39	Z	0	0	0	%100
19	M41	X	-21.306	-21.306	0	%100
20	M41	Z	0	0	0	%100
21	M42	X	-16.276	-16.276	0	%100
22	M42	Z	0	0	0	%100
23	M44	X	-17.143	-17.143	0	%100
24	M44	Z	0	0	0	%100
25	FACE	X	0	0	0	%100
26	FACE	Z	0	0	0	%100
27	MP1A	X	-8.434	-8.434	0	%100
28	MP1A	Z	0	0	0	%100
29	MP3A	X	-8.434	-8.434	0	%100
30	MP3A	Z	0	0	0	%100
31	MP4A	X	-8.434	-8.434	0	%100
32	MP4A	Z	0	0	0	%100
33	MP5A	X	-8.434	-8.434	0	%100
34	MP5A	Z	0	0	0	%100
35	OVP1	X	-7.686	-7.686	0	%100
36	OVP1	Z	0	0	0	%100
37	M40A	X	0	0	0	%100
38	M40A	Z	0	0	0	%100
39	MP2A	X	-8.434	-8.434	0	%100
40	MP2A	Z	0	0	0	%100
41	M44A	X	-3.156	-3.156	0	%100
42	M44A	Z	0	0	0	%100
43	M45A	X	-9.876	-9.876	0	%100
44	M45A	Z	0	0	0	%100
45	M46A	X	-9.876	-9.876	0	%100
46	M46A	Z	0	0	0	%100
47	M47A	X	-15.98	-15.98	0	%100
48	M47A	Z	0	0	0	%100
49	M50	X	-8.873	-8.873	0	%100
50	M50	Z	0	0	0	%100
51	M51	X	0	0	0	%100
52	M51	Z	0	0	0	%100
53	M55	X	-5.327	-5.327	0	%100
54	M55	Z	0	0	0	%100
55	M56	X	-16.276	-16.276	0	%100
56	M56	Z	0	0	0	%100
57	M58	X	-17.143	-17.143	0	%100
58	M58	Z	0	0	0	%100
59	M60	X	-5.327	-5.327	0	%100

Member Distributed Loads (BLC 50 : Structure Wo (270 Deg)) (Continued)

Member Label	Direction	Start Magnitude[lb/ft....]	End Magnitude[lb/ft....]	Start Location[ft.%]	End Location[ft.%]
60	M60	Z	0	0	%100
61	M61	X	0	0	%100
62	M61	Z	0	0	%100
63	M63	X	0	0	%100
64	M63	Z	0	0	%100
65	M68	X	-9.322	-9.322	%100
66	M68	Z	0	0	%100
67	MP1C	X	-8.434	-8.434	%100
68	MP1C	Z	0	0	%100
69	MP3C	X	-8.434	-8.434	%100
70	MP3C	Z	0	0	%100
71	MP4C	X	-8.434	-8.434	%100
72	MP4C	Z	0	0	%100
73	MP5C	X	-8.434	-8.434	%100
74	MP5C	Z	0	0	%100
75	M83	X	-9.322	-9.322	%100
76	M83	Z	0	0	%100
77	MP2C	X	-8.434	-8.434	%100
78	MP2C	Z	0	0	%100
79	M87	X	-3.156	-3.156	%100
80	M87	Z	0	0	%100
81	M88	X	-9.876	-9.876	%100
82	M88	Z	0	0	%100
83	M89	X	-9.876	-9.876	%100
84	M89	Z	0	0	%100
85	M90	X	-15.98	-15.98	%100
86	M90	Z	0	0	%100
87	M93	X	0	0	%100
88	M93	Z	0	0	%100
89	M94	X	-8.873	-8.873	%100
90	M94	Z	0	0	%100
91	M98	X	-5.327	-5.327	%100
92	M98	Z	0	0	%100
93	M99	X	0	0	%100
94	M99	Z	0	0	%100
95	M101A	X	0	0	%100
96	M101A	Z	0	0	%100
97	M103	X	-5.327	-5.327	%100
98	M103	Z	0	0	%100
99	M104	X	-16.276	-16.276	%100
100	M104	Z	0	0	%100
101	M106	X	-17.143	-17.143	%100
102	M106	Z	0	0	%100
103	M111	X	-9.322	-9.322	%100
104	M111	Z	0	0	%100
105	MP1B	X	-8.434	-8.434	%100
106	MP1B	Z	0	0	%100
107	MP3B	X	-8.434	-8.434	%100
108	MP3B	Z	0	0	%100
109	MP4B	X	-8.434	-8.434	%100
110	MP4B	Z	0	0	%100
111	MP5B	X	-8.434	-8.434	%100
112	MP5B	Z	0	0	%100
113	OVP2	X	-7.686	-7.686	%100
114	OVP2	Z	0	0	%100
115	M126	X	-9.322	-9.322	%100
116	M126	Z	0	0	%100
117	MP2B	X	-8.434	-8.434	%100
118	MP2B	Z	0	0	%100

Member Distributed Loads (BLC 50 : Structure Wo (270 Deg)) (Continued)

	Member Label	Direction	Start Magnitude[lb/ft....]	End Magnitude[lb/ft....]	Start Location[ft.%]	End Location[ft.%]
119	M136	X	0	0	0	%100
120	M136	Z	0	0	0	%100
121	M137	X	-7.077	-7.077	0	%100
122	M137	Z	0	0	0	%100
123	M138	X	-7.077	-7.077	0	%100
124	M138	Z	0	0	0	%100
125	M140	X	-12.954	-12.954	0	%100
126	M140	Z	0	0	0	%100
127	M142	X	-8.822	-8.822	0	%100
128	M142	Z	0	0	0	%100
129	M144	X	-8.822	-8.822	0	%100
130	M144	Z	0	0	0	%100

Member Distributed Loads (BLC 51 : Structure Wo (300 Deg))

	Member Label	Direction	Start Magnitude[lb/ft....]	End Magnitude[lb/ft....]	Start Location[ft.%]	End Location[ft.%]
1	M25	X	-8.19	-8.19	0	%100
2	M25	Z	-4.729	-4.729	0	%100
3	M26	X	-2.851	-2.851	0	%100
4	M26	Z	-1.646	-1.646	0	%100
5	M27	X	-2.851	-2.851	0	%100
6	M27	Z	-1.646	-1.646	0	%100
7	M28	X	-4.613	-4.613	0	%100
8	M28	Z	-2.663	-2.663	0	%100
9	M31	X	-2.562	-2.562	0	%100
10	M31	Z	-1.479	-1.479	0	%100
11	M32	X	-10.246	-10.246	0	%100
12	M32	Z	-5.916	-5.916	0	%100
13	M36	X	-13.839	-13.839	0	%100
14	M36	Z	-7.99	-7.99	0	%100
15	M37	X	-4.698	-4.698	0	%100
16	M37	Z	-2.713	-2.713	0	%100
17	M39	X	-4.949	-4.949	0	%100
18	M39	Z	-2.857	-2.857	0	%100
19	M41	X	-13.839	-13.839	0	%100
20	M41	Z	-7.99	-7.99	0	%100
21	M42	X	-18.794	-18.794	0	%100
22	M42	Z	-10.85	-10.85	0	%100
23	M44	X	-19.795	-19.795	0	%100
24	M44	Z	-11.429	-11.429	0	%100
25	FACE	X	-2.691	-2.691	0	%100
26	FACE	Z	-1.554	-1.554	0	%100
27	MP1A	X	-7.304	-7.304	0	%100
28	MP1A	Z	-4.217	-4.217	0	%100
29	MP3A	X	-7.304	-7.304	0	%100
30	MP3A	Z	-4.217	-4.217	0	%100
31	MP4A	X	-7.304	-7.304	0	%100
32	MP4A	Z	-4.217	-4.217	0	%100
33	MP5A	X	-7.304	-7.304	0	%100
34	MP5A	Z	-4.217	-4.217	0	%100
35	OVP1	X	-6.656	-6.656	0	%100
36	OVP1	Z	-3.843	-3.843	0	%100
37	M40A	X	-2.691	-2.691	0	%100
38	M40A	Z	-1.554	-1.554	0	%100
39	MP2A	X	-7.304	-7.304	0	%100
40	MP2A	Z	-4.217	-4.217	0	%100
41	M44A	X	-8.2	-8.2	0	%100
42	M44A	Z	-4.734	-4.734	0	%100
43	M45A	X	-2.851	-2.851	0	%100

Member Distributed Loads (BLC 51 : Structure Wo (300 Deg)) (Continued)

Member Label	Direction	Start Magnitude lb/ft....	End Magnitude lb/ft....	Start Location ft.%	End Location ft.%
44	M45A	Z	-1.646	-1.646	0 %100
45	M46A	X	-2.851	-2.851	0 %100
46	M46A	Z	-1.646	-1.646	0 %100
47	M47A	X	-4.613	-4.613	0 %100
48	M47A	Z	-2.663	-2.663	0 %100
49	M50	X	-10.246	-10.246	0 %100
50	M50	Z	-5.916	-5.916	0 %100
51	M51	X	-2.562	-2.562	0 %100
52	M51	Z	-1.479	-1.479	0 %100
53	M55	X	-13.839	-13.839	0 %100
54	M55	Z	-7.99	-7.99	0 %100
55	M56	X	-18.794	-18.794	0 %100
56	M56	Z	-10.85	-10.85	0 %100
57	M58	X	-19.795	-19.795	0 %100
58	M58	Z	-11.429	-11.429	0 %100
59	M60	X	-13.839	-13.839	0 %100
60	M60	Z	-7.99	-7.99	0 %100
61	M61	X	-4.698	-4.698	0 %100
62	M61	Z	-2.713	-2.713	0 %100
63	M63	X	-4.949	-4.949	0 %100
64	M63	Z	-2.857	-2.857	0 %100
65	M68	X	-2.691	-2.691	0 %100
66	M68	Z	-1.554	-1.554	0 %100
67	MP1C	X	-7.304	-7.304	0 %100
68	MP1C	Z	-4.217	-4.217	0 %100
69	MP3C	X	-7.304	-7.304	0 %100
70	MP3C	Z	-4.217	-4.217	0 %100
71	MP4C	X	-7.304	-7.304	0 %100
72	MP4C	Z	-4.217	-4.217	0 %100
73	MP5C	X	-7.304	-7.304	0 %100
74	MP5C	Z	-4.217	-4.217	0 %100
75	M83	X	-2.691	-2.691	0 %100
76	M83	Z	-1.554	-1.554	0 %100
77	MP2C	X	-7.304	-7.304	0 %100
78	MP2C	Z	-4.217	-4.217	0 %100
79	M87	X	0	0	0 %100
80	M87	Z	0	0	0 %100
81	M88	X	-11.404	-11.404	0 %100
82	M88	Z	-6.584	-6.584	0 %100
83	M89	X	-11.404	-11.404	0 %100
84	M89	Z	-6.584	-6.584	0 %100
85	M90	X	-18.452	-18.452	0 %100
86	M90	Z	-10.653	-10.653	0 %100
87	M93	X	-2.562	-2.562	0 %100
88	M93	Z	-1.479	-1.479	0 %100
89	M94	X	-2.562	-2.562	0 %100
90	M94	Z	-1.479	-1.479	0 %100
91	M98	X	0	0	0 %100
92	M98	Z	0	0	0 %100
93	M99	X	-4.698	-4.698	0 %100
94	M99	Z	-2.713	-2.713	0 %100
95	M101A	X	-4.949	-4.949	0 %100
96	M101A	Z	-2.857	-2.857	0 %100
97	M103	X	0	0	0 %100
98	M103	Z	0	0	0 %100
99	M104	X	-4.698	-4.698	0 %100
100	M104	Z	-2.713	-2.713	0 %100
101	M106	X	-4.949	-4.949	0 %100
102	M106	Z	-2.857	-2.857	0 %100

Member Distributed Loads (BLC 51 : Structure Wo (300 Deg)) (Continued)

	Member Label	Direction	Start Magnitude[lb/ft....	End Magnitude[lb/ft....	Start Location[ft.%]	End Location[ft.%]
103	M111	X	-10.764	-10.764	0	%100
104	M111	Z	-6.214	-6.214	0	%100
105	MP1B	X	-7.304	-7.304	0	%100
106	MP1B	Z	-4.217	-4.217	0	%100
107	MP3B	X	-7.304	-7.304	0	%100
108	MP3B	Z	-4.217	-4.217	0	%100
109	MP4B	X	-7.304	-7.304	0	%100
110	MP4B	Z	-4.217	-4.217	0	%100
111	MP5B	X	-7.304	-7.304	0	%100
112	MP5B	Z	-4.217	-4.217	0	%100
113	OVP2	X	-6.656	-6.656	0	%100
114	OVP2	Z	-3.843	-3.843	0	%100
115	M126	X	-10.764	-10.764	0	%100
116	M126	Z	-6.214	-6.214	0	%100
117	MP2B	X	-7.304	-7.304	0	%100
118	MP2B	Z	-4.217	-4.217	0	%100
119	M136	X	-2.043	-2.043	0	%100
120	M136	Z	-1.18	-1.18	0	%100
121	M137	X	-2.043	-2.043	0	%100
122	M137	Z	-1.18	-1.18	0	%100
123	M138	X	-8.172	-8.172	0	%100
124	M138	Z	-4.718	-4.718	0	%100
125	M140	X	-10.026	-10.026	0	%100
126	M140	Z	-5.788	-5.788	0	%100
127	M142	X	-10.026	-10.026	0	%100
128	M142	Z	-5.788	-5.788	0	%100
129	M144	X	-6.447	-6.447	0	%100
130	M144	Z	-3.722	-3.722	0	%100

Member Distributed Loads (BLC 52 : Structure Wo (330 Deg))

	Member Label	Direction	Start Magnitude[lb/ft....	End Magnitude[lb/ft....	Start Location[ft.%]	End Location[ft.%]
1	M25	X	-1.576	-1.576	0	%100
2	M25	Z	-2.73	-2.73	0	%100
3	M26	X	-4.938	-4.938	0	%100
4	M26	Z	-8.553	-8.553	0	%100
5	M27	X	-4.938	-4.938	0	%100
6	M27	Z	-8.553	-8.553	0	%100
7	M28	X	-7.99	-7.99	0	%100
8	M28	Z	-13.839	-13.839	0	%100
9	M31	X	0	0	0	%100
10	M31	Z	0	0	0	%100
11	M32	X	-4.437	-4.437	0	%100
12	M32	Z	-7.685	-7.685	0	%100
13	M36	X	-2.663	-2.663	0	%100
14	M36	Z	-4.613	-4.613	0	%100
15	M37	X	0	0	0	%100
16	M37	Z	0	0	0	%100
17	M39	X	0	0	0	%100
18	M39	Z	0	0	0	%100
19	M41	X	-2.663	-2.663	0	%100
20	M41	Z	-4.613	-4.613	0	%100
21	M42	X	-8.138	-8.138	0	%100
22	M42	Z	-14.095	-14.095	0	%100
23	M44	X	-8.571	-8.571	0	%100
24	M44	Z	-14.846	-14.846	0	%100
25	FACE	X	-4.661	-4.661	0	%100
26	FACE	Z	-8.073	-8.073	0	%100
27	MP1A	X	-4.217	-4.217	0	%100

Member Distributed Loads (BLC 52 : Structure Wo (330 Deg)) (Continued)

Member Label	Direction	Start Magnitude[lb/ft....]	End Magnitude[lb/ft....]	Start Location[ft.%]	End Location[ft.%]
28	MP1A	Z	-7.304	-7.304	0 %100
29	MP3A	X	-4.217	-4.217	0 %100
30	MP3A	Z	-7.304	-7.304	0 %100
31	MP4A	X	-4.217	-4.217	0 %100
32	MP4A	Z	-7.304	-7.304	0 %100
33	MP5A	X	-4.217	-4.217	0 %100
34	MP5A	Z	-7.304	-7.304	0 %100
35	OVP1	X	-3.843	-3.843	0 %100
36	OVP1	Z	-6.656	-6.656	0 %100
37	M40A	X	-4.661	-4.661	0 %100
38	M40A	Z	-8.073	-8.073	0 %100
39	MP2A	X	-4.217	-4.217	0 %100
40	MP2A	Z	-7.304	-7.304	0 %100
41	M44A	X	-6.312	-6.312	0 %100
42	M44A	Z	-10.933	-10.933	0 %100
43	M45A	X	0	0	0 %100
44	M45A	Z	0	0	0 %100
45	M46A	X	0	0	0 %100
46	M46A	Z	0	0	0 %100
47	M47A	X	0	0	0 %100
48	M47A	Z	0	0	0 %100
49	M50	X	-4.437	-4.437	0 %100
50	M50	Z	-7.685	-7.685	0 %100
51	M51	X	-4.437	-4.437	0 %100
52	M51	Z	-7.685	-7.685	0 %100
53	M55	X	-10.653	-10.653	0 %100
54	M55	Z	-18.452	-18.452	0 %100
55	M56	X	-8.138	-8.138	0 %100
56	M56	Z	-14.095	-14.095	0 %100
57	M58	X	-8.571	-8.571	0 %100
58	M58	Z	-14.846	-14.846	0 %100
59	M60	X	-10.653	-10.653	0 %100
60	M60	Z	-18.452	-18.452	0 %100
61	M61	X	-8.138	-8.138	0 %100
62	M61	Z	-14.095	-14.095	0 %100
63	M63	X	-8.571	-8.571	0 %100
64	M63	Z	-14.846	-14.846	0 %100
65	M68	X	0	0	0 %100
66	M68	Z	0	0	0 %100
67	MP1C	X	-4.217	-4.217	0 %100
68	MP1C	Z	-7.304	-7.304	0 %100
69	MP3C	X	-4.217	-4.217	0 %100
70	MP3C	Z	-7.304	-7.304	0 %100
71	MP4C	X	-4.217	-4.217	0 %100
72	MP4C	Z	-7.304	-7.304	0 %100
73	MP5C	X	-4.217	-4.217	0 %100
74	MP5C	Z	-7.304	-7.304	0 %100
75	M83	X	0	0	0 %100
76	M83	Z	0	0	0 %100
77	MP2C	X	-4.217	-4.217	0 %100
78	MP2C	Z	-7.304	-7.304	0 %100
79	M87	X	-1.578	-1.578	0 %100
80	M87	Z	-2.733	-2.733	0 %100
81	M88	X	-4.938	-4.938	0 %100
82	M88	Z	-8.553	-8.553	0 %100
83	M89	X	-4.938	-4.938	0 %100
84	M89	Z	-8.553	-8.553	0 %100
85	M90	X	-7.99	-7.99	0 %100
86	M90	Z	-13.839	-13.839	0 %100

Member Distributed Loads (BLC 52 : Structure Wo (330 Deg)) (Continued)

	Member Label	Direction	Start Magnitude[lb/ft....	End Magnitude[lb/ft....	Start Location[ft, %]	End Location[ft, %]
87	M93	X	-4.437	-4.437	0	%100
88	M93	Z	-7.685	-7.685	0	%100
89	M94	X	0	0	0	%100
90	M94	Z	0	0	0	%100
91	M98	X	-2.663	-2.663	0	%100
92	M98	Z	-4.613	-4.613	0	%100
93	M99	X	-8.138	-8.138	0	%100
94	M99	Z	-14.095	-14.095	0	%100
95	M101A	X	-8.571	-8.571	0	%100
96	M101A	Z	-14.846	-14.846	0	%100
97	M103	X	-2.663	-2.663	0	%100
98	M103	Z	-4.613	-4.613	0	%100
99	M104	X	0	0	0	%100
100	M104	Z	0	0	0	%100
101	M106	X	0	0	0	%100
102	M106	Z	0	0	0	%100
103	M111	X	-4.661	-4.661	0	%100
104	M111	Z	-8.073	-8.073	0	%100
105	MP1B	X	-4.217	-4.217	0	%100
106	MP1B	Z	-7.304	-7.304	0	%100
107	MP3B	X	-4.217	-4.217	0	%100
108	MP3B	Z	-7.304	-7.304	0	%100
109	MP4B	X	-4.217	-4.217	0	%100
110	MP4B	Z	-7.304	-7.304	0	%100
111	MP5B	X	-4.217	-4.217	0	%100
112	MP5B	Z	-7.304	-7.304	0	%100
113	OVP2	X	-3.843	-3.843	0	%100
114	OVP2	Z	-6.656	-6.656	0	%100
115	M126	X	-4.661	-4.661	0	%100
116	M126	Z	-8.073	-8.073	0	%100
117	MP2B	X	-4.217	-4.217	0	%100
118	MP2B	Z	-7.304	-7.304	0	%100
119	M136	X	-3.539	-3.539	0	%100
120	M136	Z	-6.129	-6.129	0	%100
121	M137	X	0	0	0	%100
122	M137	Z	0	0	0	%100
123	M138	X	-3.539	-3.539	0	%100
124	M138	Z	-6.129	-6.129	0	%100
125	M140	X	-4.411	-4.411	0	%100
126	M140	Z	-7.64	-7.64	0	%100
127	M142	X	-6.477	-6.477	0	%100
128	M142	Z	-11.219	-11.219	0	%100
129	M144	X	-4.411	-4.411	0	%100
130	M144	Z	-7.64	-7.64	0	%100

Member Distributed Loads (BLC 53 : Structure Wi (0 Deg))

	Member Label	Direction	Start Magnitude[lb/ft....	End Magnitude[lb/ft....	Start Location[ft, %]	End Location[ft, %]
1	M25	X	0	0	0	%100
2	M25	Z	0	0	0	%100
3	M26	X	0	0	0	%100
4	M26	Z	-3.959	-3.959	0	%100
5	M27	X	0	0	0	%100
6	M27	Z	-3.959	-3.959	0	%100
7	M28	X	0	0	0	%100
8	M28	Z	-5.274	-5.274	0	%100
9	M31	X	0	0	0	%100
10	M31	Z	-.993	-.993	0	%100
11	M32	X	0	0	0	%100

Member Distributed Loads (BLC 53 : Structure Wi (0 Deg)) (Continued)

Member Label	Direction	Start Magnitude lb/ft....	End Magnitude lb/ft....	Start Location ft.%	End Location ft.%
12	M32	Z	-0.993	-0.993	0 %100
13	M36	X	0	0	0 %100
14	M36	Z	0	0	0 %100
15	M37	X	0	0	0 %100
16	M37	Z	-1.324	-1.324	0 %100
17	M39	X	0	0	0 %100
18	M39	Z	-1.378	-1.378	0 %100
19	M41	X	0	0	0 %100
20	M41	Z	0	0	0 %100
21	M42	X	0	0	0 %100
22	M42	Z	-1.324	-1.324	0 %100
23	M44	X	0	0	0 %100
24	M44	Z	-1.378	-1.378	0 %100
25	FACE	X	0	0	0 %100
26	FACE	Z	-4.477	-4.477	0 %100
27	MP1A	X	0	0	0 %100
28	MP1A	Z	-3.611	-3.611	0 %100
29	MP3A	X	0	0	0 %100
30	MP3A	Z	-3.611	-3.611	0 %100
31	MP4A	X	0	0	0 %100
32	MP4A	Z	-3.611	-3.611	0 %100
33	MP5A	X	0	0	0 %100
34	MP5A	Z	-3.611	-3.611	0 %100
35	OVP1	X	0	0	0 %100
36	OVP1	Z	-3.179	-3.179	0 %100
37	M40A	X	0	0	0 %100
38	M40A	Z	-4.477	-4.477	0 %100
39	MP2A	X	0	0	0 %100
40	MP2A	Z	-3.611	-3.611	0 %100
41	M44A	X	0	0	0 %100
42	M44A	Z	-3.203	-3.203	0 %100
43	M45A	X	0	0	0 %100
44	M45A	Z	-0.99	-0.99	0 %100
45	M46A	X	0	0	0 %100
46	M46A	Z	-0.99	-0.99	0 %100
47	M47A	X	0	0	0 %100
48	M47A	Z	-1.318	-1.318	0 %100
49	M50	X	0	0	0 %100
50	M50	Z	-0.993	-0.993	0 %100
51	M51	X	0	0	0 %100
52	M51	Z	-3.972	-3.972	0 %100
53	M55	X	0	0	0 %100
54	M55	Z	-3.917	-3.917	0 %100
55	M56	X	0	0	0 %100
56	M56	Z	-1.324	-1.324	0 %100
57	M58	X	0	0	0 %100
58	M58	Z	-1.378	-1.378	0 %100
59	M60	X	0	0	0 %100
60	M60	Z	-3.917	-3.917	0 %100
61	M61	X	0	0	0 %100
62	M61	Z	-5.296	-5.296	0 %100
63	M63	X	0	0	0 %100
64	M63	Z	-5.511	-5.511	0 %100
65	M68	X	0	0	0 %100
66	M68	Z	-1.119	-1.119	0 %100
67	MP1C	X	0	0	0 %100
68	MP1C	Z	-3.611	-3.611	0 %100
69	MP3C	X	0	0	0 %100
70	MP3C	Z	-3.611	-3.611	0 %100

Member Distributed Loads (BLC 53 : Structure Wi (0 Deg)) (Continued)

	Member Label	Direction	Start Magnitude[lb/ft....	End Magnitude[lb/ft....	Start Location[ft.%]	End Location[ft.%]
71	MP4C	X	0	0	0	%100
72	MP4C	Z	-3.611	-3.611	0	%100
73	MP5C	X	0	0	0	%100
74	MP5C	Z	-3.611	-3.611	0	%100
75	M83	X	0	0	0	%100
76	M83	Z	-1.119	-1.119	0	%100
77	MP2C	X	0	0	0	%100
78	MP2C	Z	-3.611	-3.611	0	%100
79	M87	X	0	0	0	%100
80	M87	Z	-3.203	-3.203	0	%100
81	M88	X	0	0	0	%100
82	M88	Z	-.99	-.99	0	%100
83	M89	X	0	0	0	%100
84	M89	Z	-.99	-.99	0	%100
85	M90	X	0	0	0	%100
86	M90	Z	-1.318	-1.318	0	%100
87	M93	X	0	0	0	%100
88	M93	Z	-3.972	-3.972	0	%100
89	M94	X	0	0	0	%100
90	M94	Z	-.993	-.993	0	%100
91	M98	X	0	0	0	%100
92	M98	Z	-3.917	-3.917	0	%100
93	M99	X	0	0	0	%100
94	M99	Z	-5.296	-5.296	0	%100
95	M101A	X	0	0	0	%100
96	M101A	Z	-5.511	-5.511	0	%100
97	M103	X	0	0	0	%100
98	M103	Z	-3.917	-3.917	0	%100
99	M104	X	0	0	0	%100
100	M104	Z	-1.324	-1.324	0	%100
101	M106	X	0	0	0	%100
102	M106	Z	-1.378	-1.378	0	%100
103	M111	X	0	0	0	%100
104	M111	Z	-1.119	-1.119	0	%100
105	MP1B	X	0	0	0	%100
106	MP1B	Z	-3.611	-3.611	0	%100
107	MP3B	X	0	0	0	%100
108	MP3B	Z	-3.611	-3.611	0	%100
109	MP4B	X	0	0	0	%100
110	MP4B	Z	-3.611	-3.611	0	%100
111	MP5B	X	0	0	0	%100
112	MP5B	Z	-3.611	-3.611	0	%100
113	OVP2	X	0	0	0	%100
114	OVP2	Z	-3.179	-3.179	0	%100
115	M126	X	0	0	0	%100
116	M126	Z	-1.119	-1.119	0	%100
117	MP2B	X	0	0	0	%100
118	MP2B	Z	-3.611	-3.611	0	%100
119	M136	X	0	0	0	%100
120	M136	Z	-3.046	-3.046	0	%100
121	M137	X	0	0	0	%100
122	M137	Z	-.761	-.761	0	%100
123	M138	X	0	0	0	%100
124	M138	Z	-.761	-.761	0	%100
125	M140	X	0	0	0	%100
126	M140	Z	-1.936	-1.936	0	%100
127	M142	X	0	0	0	%100
128	M142	Z	-3.564	-3.564	0	%100
129	M144	X	0	0	0	%100

Member Distributed Loads (BLC 53 : Structure Wi (0 Deg)) (Continued)

Member Label	Direction	Start Magnitude[lb/ft....]	End Magnitude[lb/ft....]	Start Location[ft.%]	End Location[ft.%]
130	M144	Z	-3.564	-3.564	0 %100

Member Distributed Loads (BLC 54 : Structure Wi (30 Deg))

Member Label	Direction	Start Magnitude[lb/ft....]	End Magnitude[lb/ft....]	Start Location[ft.%]	End Location[ft.%]
1	M25	X	.533	.533	0 %100
2	M25	Z	-.923	-.923	0 %100
3	M26	X	1.485	1.485	0 %100
4	M26	Z	-2.571	-2.571	0 %100
5	M27	X	1.485	1.485	0 %100
6	M27	Z	-2.571	-2.571	0 %100
7	M28	X	1.978	1.978	0 %100
8	M28	Z	-3.426	-3.426	0 %100
9	M31	X	1.49	1.49	0 %100
10	M31	Z	-2.58	-2.58	0 %100
11	M32	X	0	0	0 %100
12	M32	Z	0	0	0 %100
13	M36	X	.653	.653	0 %100
14	M36	Z	-1.131	-1.131	0 %100
15	M37	X	1.986	1.986	0 %100
16	M37	Z	-3.44	-3.44	0 %100
17	M39	X	2.067	2.067	0 %100
18	M39	Z	-3.58	-3.58	0 %100
19	M41	X	.653	.653	0 %100
20	M41	Z	-1.131	-1.131	0 %100
21	M42	X	0	0	0 %100
22	M42	Z	0	0	0 %100
23	M44	X	0	0	0 %100
24	M44	Z	0	0	0 %100
25	FACE	X	1.679	1.679	0 %100
26	FACE	Z	-2.908	-2.908	0 %100
27	MP1A	X	1.805	1.805	0 %100
28	MP1A	Z	-3.127	-3.127	0 %100
29	MP3A	X	1.805	1.805	0 %100
30	MP3A	Z	-3.127	-3.127	0 %100
31	MP4A	X	1.805	1.805	0 %100
32	MP4A	Z	-3.127	-3.127	0 %100
33	MP5A	X	1.805	1.805	0 %100
34	MP5A	Z	-3.127	-3.127	0 %100
35	OVP1	X	1.589	1.589	0 %100
36	OVP1	Z	-2.753	-2.753	0 %100
37	M40A	X	1.679	1.679	0 %100
38	M40A	Z	-2.908	-2.908	0 %100
39	MP2A	X	1.805	1.805	0 %100
40	MP2A	Z	-3.127	-3.127	0 %100
41	M44A	X	.534	.534	0 %100
42	M44A	Z	-.925	-.925	0 %100
43	M45A	X	1.485	1.485	0 %100
44	M45A	Z	-2.571	-2.571	0 %100
45	M46A	X	1.485	1.485	0 %100
46	M46A	Z	-2.571	-2.571	0 %100
47	M47A	X	1.978	1.978	0 %100
48	M47A	Z	-3.426	-3.426	0 %100
49	M50	X	0	0	0 %100
50	M50	Z	0	0	0 %100
51	M51	X	1.49	1.49	0 %100
52	M51	Z	-2.58	-2.58	0 %100
53	M55	X	.653	.653	0 %100
54	M55	Z	-1.131	-1.131	0 %100

Member Distributed Loads (BLC 54 : Structure Wi (30 Deg)) (Continued)

Member Label	Direction	Start Magnitude[lb/ft....	End Magnitude[lb/ft....	Start Location[ft.%]	End Location[ft.%]
55	M56	X	0	0	%100
56	M56	Z	0	0	%100
57	M58	X	0	0	%100
58	M58	Z	0	0	%100
59	M60	X	.653	.653	%100
60	M60	Z	-1.131	-1.131	%100
61	M61	X	1.986	1.986	%100
62	M61	Z	-3.44	-3.44	%100
63	M63	X	2.067	2.067	%100
64	M63	Z	-3.58	-3.58	%100
65	M68	X	1.679	1.679	%100
66	M68	Z	-2.908	-2.908	%100
67	MP1C	X	1.805	1.805	%100
68	MP1C	Z	-3.127	-3.127	%100
69	MP3C	X	1.805	1.805	%100
70	MP3C	Z	-3.127	-3.127	%100
71	MP4C	X	1.805	1.805	%100
72	MP4C	Z	-3.127	-3.127	%100
73	MP5C	X	1.805	1.805	%100
74	MP5C	Z	-3.127	-3.127	%100
75	M83	X	1.679	1.679	%100
76	M83	Z	-2.908	-2.908	%100
77	MP2C	X	1.805	1.805	%100
78	MP2C	Z	-3.127	-3.127	%100
79	M87	X	2.135	2.135	%100
80	M87	Z	-3.698	-3.698	%100
81	M88	X	0	0	%100
82	M88	Z	0	0	%100
83	M89	X	0	0	%100
84	M89	Z	0	0	%100
85	M90	X	0	0	%100
86	M90	Z	0	0	%100
87	M93	X	1.49	1.49	%100
88	M93	Z	-2.58	-2.58	%100
89	M94	X	1.49	1.49	%100
90	M94	Z	-2.58	-2.58	%100
91	M98	X	2.612	2.612	%100
92	M98	Z	-4.523	-4.523	%100
93	M99	X	1.986	1.986	%100
94	M99	Z	-3.44	-3.44	%100
95	M101A	X	2.067	2.067	%100
96	M101A	Z	-3.58	-3.58	%100
97	M103	X	2.612	2.612	%100
98	M103	Z	-4.523	-4.523	%100
99	M104	X	1.986	1.986	%100
100	M104	Z	-3.44	-3.44	%100
101	M106	X	2.067	2.067	%100
102	M106	Z	-3.58	-3.58	%100
103	M111	X	0	0	%100
104	M111	Z	0	0	%100
105	MP1B	X	1.805	1.805	%100
106	MP1B	Z	-3.127	-3.127	%100
107	MP3B	X	1.805	1.805	%100
108	MP3B	Z	-3.127	-3.127	%100
109	MP4B	X	1.805	1.805	%100
110	MP4B	Z	-3.127	-3.127	%100
111	MP5B	X	1.805	1.805	%100
112	MP5B	Z	-3.127	-3.127	%100
113	OVP2	X	1.589	1.589	%100

Member Distributed Loads (BLC 54 : Structure Wi (30 Deg)) (Continued)

	Member Label	Direction	Start Magnitude[lb/ft....	End Magnitude[lb/ft....	Start Location[ft.%]	End Location[ft.%]
114	OVP2	Z	-2.753	-2.753	0	%100
115	M126	X	0	0	0	%100
116	M126	Z	0	0	0	%100
117	MP2B	X	1.805	1.805	0	%100
118	MP2B	Z	-3.127	-3.127	0	%100
119	M136	X	1.142	1.142	0	%100
120	M136	Z	-1.978	-1.978	0	%100
121	M137	X	1.142	1.142	0	%100
122	M137	Z	-1.978	-1.978	0	%100
123	M138	X	0	0	0	%100
124	M138	Z	0	0	0	%100
125	M140	X	1.239	1.239	0	%100
126	M140	Z	-2.147	-2.147	0	%100
127	M142	X	1.239	1.239	0	%100
128	M142	Z	-2.147	-2.147	0	%100
129	M144	X	2.053	2.053	0	%100
130	M144	Z	-3.556	-3.556	0	%100

Member Distributed Loads (BLC 55 : Structure Wi (60 Deg))

	Member Label	Direction	Start Magnitude[lb/ft....	End Magnitude[lb/ft....	Start Location[ft.%]	End Location[ft.%]
1	M25	X	2.77	2.77	0	%100
2	M25	Z	-1.599	-1.599	0	%100
3	M26	X	.857	.857	0	%100
4	M26	Z	-.495	-.495	0	%100
5	M27	X	.857	.857	0	%100
6	M27	Z	-.495	-.495	0	%100
7	M28	X	1.142	1.142	0	%100
8	M28	Z	-.659	-.659	0	%100
9	M31	X	3.44	3.44	0	%100
10	M31	Z	-1.986	-1.986	0	%100
11	M32	X	.86	.86	0	%100
12	M32	Z	-.497	-.497	0	%100
13	M36	X	3.393	3.393	0	%100
14	M36	Z	-1.959	-1.959	0	%100
15	M37	X	4.587	4.587	0	%100
16	M37	Z	-2.648	-2.648	0	%100
17	M39	X	4.773	4.773	0	%100
18	M39	Z	-2.756	-2.756	0	%100
19	M41	X	3.393	3.393	0	%100
20	M41	Z	-1.959	-1.959	0	%100
21	M42	X	1.147	1.147	0	%100
22	M42	Z	-.662	-.662	0	%100
23	M44	X	1.193	1.193	0	%100
24	M44	Z	-.689	-.689	0	%100
25	FACE	X	.969	.969	0	%100
26	FACE	Z	-.56	-.56	0	%100
27	MP1A	X	3.127	3.127	0	%100
28	MP1A	Z	-1.805	-1.805	0	%100
29	MP3A	X	3.127	3.127	0	%100
30	MP3A	Z	-1.805	-1.805	0	%100
31	MP4A	X	3.127	3.127	0	%100
32	MP4A	Z	-1.805	-1.805	0	%100
33	MP5A	X	3.127	3.127	0	%100
34	MP5A	Z	-1.805	-1.805	0	%100
35	OVP1	X	2.753	2.753	0	%100
36	OVP1	Z	-1.589	-1.589	0	%100
37	M40A	X	.969	.969	0	%100
38	M40A	Z	-.56	-.56	0	%100

Member Distributed Loads (BLC 55 : Structure Wi (60 Deg)) (Continued)

	Member Label	Direction	Start Magnitude[lb/ft....	End Magnitude[lb/ft....	Start Location[ft.%]	End Location[ft.%]
39	MP2A	X	3.127	3.127	0	%100
40	MP2A	Z	-1.805	-1.805	0	%100
41	M44A	X	0	0	0	%100
42	M44A	Z	0	0	0	%100
43	M45A	X	3.429	3.429	0	%100
44	M45A	Z	-1.98	-1.98	0	%100
45	M46A	X	3.429	3.429	0	%100
46	M46A	Z	-1.98	-1.98	0	%100
47	M47A	X	4.567	4.567	0	%100
48	M47A	Z	-2.637	-2.637	0	%100
49	M50	X	.86	.86	0	%100
50	M50	Z	-.497	-.497	0	%100
51	M51	X	.86	.86	0	%100
52	M51	Z	-.497	-.497	0	%100
53	M55	X	0	0	0	%100
54	M55	Z	0	0	0	%100
55	M56	X	1.147	1.147	0	%100
56	M56	Z	-.662	-.662	0	%100
57	M58	X	1.193	1.193	0	%100
58	M58	Z	-.689	-.689	0	%100
59	M60	X	0	0	0	%100
60	M60	Z	0	0	0	%100
61	M61	X	1.147	1.147	0	%100
62	M61	Z	-.662	-.662	0	%100
63	M63	X	1.193	1.193	0	%100
64	M63	Z	-.689	-.689	0	%100
65	M68	X	3.877	3.877	0	%100
66	M68	Z	-2.239	-2.239	0	%100
67	MP1C	X	3.127	3.127	0	%100
68	MP1C	Z	-1.805	-1.805	0	%100
69	MP3C	X	3.127	3.127	0	%100
70	MP3C	Z	-1.805	-1.805	0	%100
71	MP4C	X	3.127	3.127	0	%100
72	MP4C	Z	-1.805	-1.805	0	%100
73	MP5C	X	3.127	3.127	0	%100
74	MP5C	Z	-1.805	-1.805	0	%100
75	M83	X	3.877	3.877	0	%100
76	M83	Z	-2.239	-2.239	0	%100
77	MP2C	X	3.127	3.127	0	%100
78	MP2C	Z	-1.805	-1.805	0	%100
79	M87	X	2.774	2.774	0	%100
80	M87	Z	-1.601	-1.601	0	%100
81	M88	X	.857	.857	0	%100
82	M88	Z	-.495	-.495	0	%100
83	M89	X	.857	.857	0	%100
84	M89	Z	-.495	-.495	0	%100
85	M90	X	1.142	1.142	0	%100
86	M90	Z	-.659	-.659	0	%100
87	M93	X	.86	.86	0	%100
88	M93	Z	-.497	-.497	0	%100
89	M94	X	3.44	3.44	0	%100
90	M94	Z	-1.986	-1.986	0	%100
91	M98	X	3.393	3.393	0	%100
92	M98	Z	-1.959	-1.959	0	%100
93	M99	X	1.147	1.147	0	%100
94	M99	Z	-.662	-.662	0	%100
95	M101A	X	1.193	1.193	0	%100
96	M101A	Z	-.689	-.689	0	%100
97	M103	X	3.393	3.393	0	%100

Member Distributed Loads (BLC 55 : Structure Wi (60 Deg)) (Continued)

	Member Label	Direction	Start Magnitude[lb/ft....	End Magnitude[lb/ft....	Start Location[ft.%]	End Location[ft.%]
98	M103	Z	-1.959	-1.959	0	%100
99	M104	X	4.587	4.587	0	%100
100	M104	Z	-2.648	-2.648	0	%100
101	M106	X	4.773	4.773	0	%100
102	M106	Z	-2.756	-2.756	0	%100
103	M111	X	.969	.969	0	%100
104	M111	Z	-.56	-.56	0	%100
105	MP1B	X	3.127	3.127	0	%100
106	MP1B	Z	-1.805	-1.805	0	%100
107	MP3B	X	3.127	3.127	0	%100
108	MP3B	Z	-1.805	-1.805	0	%100
109	MP4B	X	3.127	3.127	0	%100
110	MP4B	Z	-1.805	-1.805	0	%100
111	MP5B	X	3.127	3.127	0	%100
112	MP5B	Z	-1.805	-1.805	0	%100
113	OVP2	X	2.753	2.753	0	%100
114	OVP2	Z	-1.589	-1.589	0	%100
115	M126	X	.969	.969	0	%100
116	M126	Z	-.56	-.56	0	%100
117	MP2B	X	3.127	3.127	0	%100
118	MP2B	Z	-1.805	-1.805	0	%100
119	M136	X	.659	.659	0	%100
120	M136	Z	-.381	-.381	0	%100
121	M137	X	2.638	2.638	0	%100
122	M137	Z	-1.523	-1.523	0	%100
123	M138	X	.659	.659	0	%100
124	M138	Z	-.381	-.381	0	%100
125	M140	X	3.086	3.086	0	%100
126	M140	Z	-1.782	-1.782	0	%100
127	M142	X	1.677	1.677	0	%100
128	M142	Z	-.968	-.968	0	%100
129	M144	X	3.086	3.086	0	%100
130	M144	Z	-1.782	-1.782	0	%100

Member Distributed Loads (BLC 56 : Structure Wi (90 Deg))

	Member Label	Direction	Start Magnitude[lb/ft....	End Magnitude[lb/ft....	Start Location[ft.%]	End Location[ft.%]
1	M25	X	4.264	4.264	0	%100
2	M25	Z	0	0	0	%100
3	M26	X	0	0	0	%100
4	M26	Z	0	0	0	%100
5	M27	X	0	0	0	%100
6	M27	Z	0	0	0	%100
7	M28	X	0	0	0	%100
8	M28	Z	0	0	0	%100
9	M31	X	2.979	2.979	0	%100
10	M31	Z	0	0	0	%100
11	M32	X	2.979	2.979	0	%100
12	M32	Z	0	0	0	%100
13	M36	X	5.223	5.223	0	%100
14	M36	Z	0	0	0	%100
15	M37	X	3.972	3.972	0	%100
16	M37	Z	0	0	0	%100
17	M39	X	4.133	4.133	0	%100
18	M39	Z	0	0	0	%100
19	M41	X	5.223	5.223	0	%100
20	M41	Z	0	0	0	%100
21	M42	X	3.972	3.972	0	%100
22	M42	Z	0	0	0	%100

Member Distributed Loads (BLC 56 : Structure Wi (90 Deg)) (Continued)

Member Label	Direction	Start Magnitude[lb/ft....	End Magnitude[lb/ft....	Start Location[ft.%]	End Location[ft.%]
23	M44	X	4.133	4.133	0 %100
24	M44	Z	0	0	0 %100
25	FACE	X	0	0	0 %100
26	FACE	Z	0	0	0 %100
27	MP1A	X	3.611	3.611	0 %100
28	MP1A	Z	0	0	0 %100
29	MP3A	X	3.611	3.611	0 %100
30	MP3A	Z	0	0	0 %100
31	MP4A	X	3.611	3.611	0 %100
32	MP4A	Z	0	0	0 %100
33	MP5A	X	3.611	3.611	0 %100
34	MP5A	Z	0	0	0 %100
35	OVP1	X	3.179	3.179	0 %100
36	OVP1	Z	0	0	0 %100
37	M40A	X	0	0	0 %100
38	M40A	Z	0	0	0 %100
39	MP2A	X	3.611	3.611	0 %100
40	MP2A	Z	0	0	0 %100
41	M44A	X	1.068	1.068	0 %100
42	M44A	Z	0	0	0 %100
43	M45A	X	2.969	2.969	0 %100
44	M45A	Z	0	0	0 %100
45	M46A	X	2.969	2.969	0 %100
46	M46A	Z	0	0	0 %100
47	M47A	X	3.955	3.955	0 %100
48	M47A	Z	0	0	0 %100
49	M50	X	2.979	2.979	0 %100
50	M50	Z	0	0	0 %100
51	M51	X	0	0	0 %100
52	M51	Z	0	0	0 %100
53	M55	X	1.306	1.306	0 %100
54	M55	Z	0	0	0 %100
55	M56	X	3.972	3.972	0 %100
56	M56	Z	0	0	0 %100
57	M58	X	4.133	4.133	0 %100
58	M58	Z	0	0	0 %100
59	M60	X	1.306	1.306	0 %100
60	M60	Z	0	0	0 %100
61	M61	X	0	0	0 %100
62	M61	Z	0	0	0 %100
63	M63	X	0	0	0 %100
64	M63	Z	0	0	0 %100
65	M68	X	3.358	3.358	0 %100
66	M68	Z	0	0	0 %100
67	MP1C	X	3.611	3.611	0 %100
68	MP1C	Z	0	0	0 %100
69	MP3C	X	3.611	3.611	0 %100
70	MP3C	Z	0	0	0 %100
71	MP4C	X	3.611	3.611	0 %100
72	MP4C	Z	0	0	0 %100
73	MP5C	X	3.611	3.611	0 %100
74	MP5C	Z	0	0	0 %100
75	M83	X	3.358	3.358	0 %100
76	M83	Z	0	0	0 %100
77	MP2C	X	3.611	3.611	0 %100
78	MP2C	Z	0	0	0 %100
79	M87	X	1.068	1.068	0 %100
80	M87	Z	0	0	0 %100
81	M88	X	2.969	2.969	0 %100

Member Distributed Loads (BLC 56 : Structure Wi (90 Deg)) (Continued)

	Member Label	Direction	Start Magnitude[lb/ft....]	End Magnitude[lb/ft....]	Start Location[ft.%]	End Location[ft.%]
82	M88	Z	0	0	0	%100
83	M89	X	2.969	2.969	0	%100
84	M89	Z	0	0	0	%100
85	M90	X	3.955	3.955	0	%100
86	M90	Z	0	0	0	%100
87	M93	X	0	0	0	%100
88	M93	Z	0	0	0	%100
89	M94	X	2.979	2.979	0	%100
90	M94	Z	0	0	0	%100
91	M98	X	1.306	1.306	0	%100
92	M98	Z	0	0	0	%100
93	M99	X	0	0	0	%100
94	M99	Z	0	0	0	%100
95	M101A	X	0	0	0	%100
96	M101A	Z	0	0	0	%100
97	M103	X	1.306	1.306	0	%100
98	M103	Z	0	0	0	%100
99	M104	X	3.972	3.972	0	%100
100	M104	Z	0	0	0	%100
101	M106	X	4.133	4.133	0	%100
102	M106	Z	0	0	0	%100
103	M111	X	3.358	3.358	0	%100
104	M111	Z	0	0	0	%100
105	MP1B	X	3.611	3.611	0	%100
106	MP1B	Z	0	0	0	%100
107	MP3B	X	3.611	3.611	0	%100
108	MP3B	Z	0	0	0	%100
109	MP4B	X	3.611	3.611	0	%100
110	MP4B	Z	0	0	0	%100
111	MP5B	X	3.611	3.611	0	%100
112	MP5B	Z	0	0	0	%100
113	OVP2	X	3.179	3.179	0	%100
114	OVP2	Z	0	0	0	%100
115	M126	X	3.358	3.358	0	%100
116	M126	Z	0	0	0	%100
117	MP2B	X	3.611	3.611	0	%100
118	MP2B	Z	0	0	0	%100
119	M136	X	0	0	0	%100
120	M136	Z	0	0	0	%100
121	M137	X	2.284	2.284	0	%100
122	M137	Z	0	0	0	%100
123	M138	X	2.284	2.284	0	%100
124	M138	Z	0	0	0	%100
125	M140	X	4.107	4.107	0	%100
126	M140	Z	0	0	0	%100
127	M142	X	2.479	2.479	0	%100
128	M142	Z	0	0	0	%100
129	M144	X	2.479	2.479	0	%100
130	M144	Z	0	0	0	%100

Member Distributed Loads (BLC 57 : Structure Wi (120 Deg))

	Member Label	Direction	Start Magnitude[lb/ft....]	End Magnitude[lb/ft....]	Start Location[ft.%]	End Location[ft.%]
1	M25	X	2.77	2.77	0	%100
2	M25	Z	1.599	1.599	0	%100
3	M26	X	.857	.857	0	%100
4	M26	Z	.495	.495	0	%100
5	M27	X	.857	.857	0	%100
6	M27	Z	.495	.495	0	%100

Member Distributed Loads (BLC 57 : Structure Wi (120 Deg)) (Continued)

	Member Label	Direction	Start Magnitude[lb/ft....	End Magnitude[lb/ft....	Start Location[ft.%]	End Location[ft.%]
7	M28	X	1.142	1.142	0	%100
8	M28	Z	.659	.659	0	%100
9	M31	X	.86	.86	0	%100
10	M31	Z	.497	.497	0	%100
11	M32	X	3.44	3.44	0	%100
12	M32	Z	1.986	1.986	0	%100
13	M36	X	3.393	3.393	0	%100
14	M36	Z	1.959	1.959	0	%100
15	M37	X	1.147	1.147	0	%100
16	M37	Z	.662	.662	0	%100
17	M39	X	1.193	1.193	0	%100
18	M39	Z	.689	.689	0	%100
19	M41	X	3.393	3.393	0	%100
20	M41	Z	1.959	1.959	0	%100
21	M42	X	4.587	4.587	0	%100
22	M42	Z	2.648	2.648	0	%100
23	M44	X	4.773	4.773	0	%100
24	M44	Z	2.756	2.756	0	%100
25	FACE	X	.969	.969	0	%100
26	FACE	Z	.56	.56	0	%100
27	MP1A	X	3.127	3.127	0	%100
28	MP1A	Z	1.805	1.805	0	%100
29	MP3A	X	3.127	3.127	0	%100
30	MP3A	Z	1.805	1.805	0	%100
31	MP4A	X	3.127	3.127	0	%100
32	MP4A	Z	1.805	1.805	0	%100
33	MP5A	X	3.127	3.127	0	%100
34	MP5A	Z	1.805	1.805	0	%100
35	OVP1	X	2.753	2.753	0	%100
36	OVP1	Z	1.589	1.589	0	%100
37	M40A	X	.969	.969	0	%100
38	M40A	Z	.56	.56	0	%100
39	MP2A	X	3.127	3.127	0	%100
40	MP2A	Z	1.805	1.805	0	%100
41	M44A	X	2.774	2.774	0	%100
42	M44A	Z	1.601	1.601	0	%100
43	M45A	X	.857	.857	0	%100
44	M45A	Z	.495	.495	0	%100
45	M46A	X	.857	.857	0	%100
46	M46A	Z	.495	.495	0	%100
47	M47A	X	1.142	1.142	0	%100
48	M47A	Z	.659	.659	0	%100
49	M50	X	3.44	3.44	0	%100
50	M50	Z	1.986	1.986	0	%100
51	M51	X	.86	.86	0	%100
52	M51	Z	.497	.497	0	%100
53	M55	X	3.393	3.393	0	%100
54	M55	Z	1.959	1.959	0	%100
55	M56	X	4.587	4.587	0	%100
56	M56	Z	2.648	2.648	0	%100
57	M58	X	4.773	4.773	0	%100
58	M58	Z	2.756	2.756	0	%100
59	M60	X	3.393	3.393	0	%100
60	M60	Z	1.959	1.959	0	%100
61	M61	X	1.147	1.147	0	%100
62	M61	Z	.662	.662	0	%100
63	M63	X	1.193	1.193	0	%100
64	M63	Z	.689	.689	0	%100
65	M68	X	.969	.969	0	%100

Member Distributed Loads (BLC 57 : Structure Wi (120 Deg)) (Continued)

Member Label	Direction	Start Magnitude[lb/ft....]	End Magnitude[lb/ft....]	Start Location[ft.%]	End Location[ft.%]
66	M68	Z	.56	.56	0 %100
67	MP1C	X	3.127	3.127	0 %100
68	MP1C	Z	1.805	1.805	0 %100
69	MP3C	X	3.127	3.127	0 %100
70	MP3C	Z	1.805	1.805	0 %100
71	MP4C	X	3.127	3.127	0 %100
72	MP4C	Z	1.805	1.805	0 %100
73	MP5C	X	3.127	3.127	0 %100
74	MP5C	Z	1.805	1.805	0 %100
75	M83	X	.969	.969	0 %100
76	M83	Z	.56	.56	0 %100
77	MP2C	X	3.127	3.127	0 %100
78	MP2C	Z	1.805	1.805	0 %100
79	M87	X	0	0	0 %100
80	M87	Z	0	0	0 %100
81	M88	X	3.429	3.429	0 %100
82	M88	Z	1.98	1.98	0 %100
83	M89	X	3.429	3.429	0 %100
84	M89	Z	1.98	1.98	0 %100
85	M90	X	4.567	4.567	0 %100
86	M90	Z	2.637	2.637	0 %100
87	M93	X	.86	.86	0 %100
88	M93	Z	.497	.497	0 %100
89	M94	X	.86	.86	0 %100
90	M94	Z	.497	.497	0 %100
91	M98	X	0	0	0 %100
92	M98	Z	0	0	0 %100
93	M99	X	1.147	1.147	0 %100
94	M99	Z	.662	.662	0 %100
95	M101A	X	1.193	1.193	0 %100
96	M101A	Z	.689	.689	0 %100
97	M103	X	0	0	0 %100
98	M103	Z	0	0	0 %100
99	M104	X	1.147	1.147	0 %100
100	M104	Z	.662	.662	0 %100
101	M106	X	1.193	1.193	0 %100
102	M106	Z	.689	.689	0 %100
103	M111	X	3.877	3.877	0 %100
104	M111	Z	2.239	2.239	0 %100
105	MP1B	X	3.127	3.127	0 %100
106	MP1B	Z	1.805	1.805	0 %100
107	MP3B	X	3.127	3.127	0 %100
108	MP3B	Z	1.805	1.805	0 %100
109	MP4B	X	3.127	3.127	0 %100
110	MP4B	Z	1.805	1.805	0 %100
111	MP5B	X	3.127	3.127	0 %100
112	MP5B	Z	1.805	1.805	0 %100
113	OVP2	X	2.753	2.753	0 %100
114	OVP2	Z	1.589	1.589	0 %100
115	M126	X	3.877	3.877	0 %100
116	M126	Z	2.239	2.239	0 %100
117	MP2B	X	3.127	3.127	0 %100
118	MP2B	Z	1.805	1.805	0 %100
119	M136	X	.659	.659	0 %100
120	M136	Z	.381	.381	0 %100
121	M137	X	.659	.659	0 %100
122	M137	Z	.381	.381	0 %100
123	M138	X	2.638	2.638	0 %100
124	M138	Z	1.523	1.523	0 %100

Member Distributed Loads (BLC 57 : Structure Wi (120 Deg)) (Continued)

	Member Label	Direction	Start Magnitude[lb/ft....	End Magnitude[lb/ft....	Start Location[ft.%]	End Location[ft.%]
125	M140	X	3.086	3.086	0	%100
126	M140	Z	1.782	1.782	0	%100
127	M142	X	3.086	3.086	0	%100
128	M142	Z	1.782	1.782	0	%100
129	M144	X	1.677	1.677	0	%100
130	M144	Z	.968	.968	0	%100

Member Distributed Loads (BLC 58 : Structure Wi (150 Deg))

	Member Label	Direction	Start Magnitude[lb/ft....	End Magnitude[lb/ft....	Start Location[ft.%]	End Location[ft.%]
1	M25	X	.533	.533	0	%100
2	M25	Z	.923	.923	0	%100
3	M26	X	1.485	1.485	0	%100
4	M26	Z	2.571	2.571	0	%100
5	M27	X	1.485	1.485	0	%100
6	M27	Z	2.571	2.571	0	%100
7	M28	X	1.978	1.978	0	%100
8	M28	Z	3.426	3.426	0	%100
9	M31	X	0	0	0	%100
10	M31	Z	0	0	0	%100
11	M32	X	1.49	1.49	0	%100
12	M32	Z	2.58	2.58	0	%100
13	M36	X	.653	.653	0	%100
14	M36	Z	1.131	1.131	0	%100
15	M37	X	0	0	0	%100
16	M37	Z	0	0	0	%100
17	M39	X	0	0	0	%100
18	M39	Z	0	0	0	%100
19	M41	X	.653	.653	0	%100
20	M41	Z	1.131	1.131	0	%100
21	M42	X	1.986	1.986	0	%100
22	M42	Z	3.44	3.44	0	%100
23	M44	X	2.067	2.067	0	%100
24	M44	Z	3.58	3.58	0	%100
25	FACE	X	1.679	1.679	0	%100
26	FACE	Z	2.908	2.908	0	%100
27	MP1A	X	1.805	1.805	0	%100
28	MP1A	Z	3.127	3.127	0	%100
29	MP3A	X	1.805	1.805	0	%100
30	MP3A	Z	3.127	3.127	0	%100
31	MP4A	X	1.805	1.805	0	%100
32	MP4A	Z	3.127	3.127	0	%100
33	MP5A	X	1.805	1.805	0	%100
34	MP5A	Z	3.127	3.127	0	%100
35	OVP1	X	1.589	1.589	0	%100
36	OVP1	Z	2.753	2.753	0	%100
37	M40A	X	1.679	1.679	0	%100
38	M40A	Z	2.908	2.908	0	%100
39	MP2A	X	1.805	1.805	0	%100
40	MP2A	Z	3.127	3.127	0	%100
41	M44A	X	2.135	2.135	0	%100
42	M44A	Z	3.698	3.698	0	%100
43	M45A	X	0	0	0	%100
44	M45A	Z	0	0	0	%100
45	M46A	X	0	0	0	%100
46	M46A	Z	0	0	0	%100
47	M47A	X	0	0	0	%100
48	M47A	Z	0	0	0	%100
49	M50	X	1.49	1.49	0	%100

Member Distributed Loads (BLC 58 : Structure Wi (150 Deg)) (Continued)

Member Label	Direction	Start Magnitude lb/ft....	End Magnitude lb/ft....	Start Location ft.%	End Location ft.%
50	M50	Z	2.58	2.58	0 %100
51	M51	X	1.49	1.49	0 %100
52	M51	Z	2.58	2.58	0 %100
53	M55	X	2.612	2.612	0 %100
54	M55	Z	4.523	4.523	0 %100
55	M56	X	1.986	1.986	0 %100
56	M56	Z	3.44	3.44	0 %100
57	M58	X	2.067	2.067	0 %100
58	M58	Z	3.58	3.58	0 %100
59	M60	X	2.612	2.612	0 %100
60	M60	Z	4.523	4.523	0 %100
61	M61	X	1.986	1.986	0 %100
62	M61	Z	3.44	3.44	0 %100
63	M63	X	2.067	2.067	0 %100
64	M63	Z	3.58	3.58	0 %100
65	M68	X	0	0	0 %100
66	M68	Z	0	0	0 %100
67	MP1C	X	1.805	1.805	0 %100
68	MP1C	Z	3.127	3.127	0 %100
69	MP3C	X	1.805	1.805	0 %100
70	MP3C	Z	3.127	3.127	0 %100
71	MP4C	X	1.805	1.805	0 %100
72	MP4C	Z	3.127	3.127	0 %100
73	MP5C	X	1.805	1.805	0 %100
74	MP5C	Z	3.127	3.127	0 %100
75	M83	X	0	0	0 %100
76	M83	Z	0	0	0 %100
77	MP2C	X	1.805	1.805	0 %100
78	MP2C	Z	3.127	3.127	0 %100
79	M87	X	.534	.534	0 %100
80	M87	Z	.925	.925	0 %100
81	M88	X	1.485	1.485	0 %100
82	M88	Z	2.571	2.571	0 %100
83	M89	X	1.485	1.485	0 %100
84	M89	Z	2.571	2.571	0 %100
85	M90	X	1.978	1.978	0 %100
86	M90	Z	3.426	3.426	0 %100
87	M93	X	1.49	1.49	0 %100
88	M93	Z	2.58	2.58	0 %100
89	M94	X	0	0	0 %100
90	M94	Z	0	0	0 %100
91	M98	X	.653	.653	0 %100
92	M98	Z	1.131	1.131	0 %100
93	M99	X	1.986	1.986	0 %100
94	M99	Z	3.44	3.44	0 %100
95	M101A	X	2.067	2.067	0 %100
96	M101A	Z	3.58	3.58	0 %100
97	M103	X	.653	.653	0 %100
98	M103	Z	1.131	1.131	0 %100
99	M104	X	0	0	0 %100
100	M104	Z	0	0	0 %100
101	M106	X	0	0	0 %100
102	M106	Z	0	0	0 %100
103	M111	X	1.679	1.679	0 %100
104	M111	Z	2.908	2.908	0 %100
105	MP1B	X	1.805	1.805	0 %100
106	MP1B	Z	3.127	3.127	0 %100
107	MP3B	X	1.805	1.805	0 %100
108	MP3B	Z	3.127	3.127	0 %100

Member Distributed Loads (BLC 58 : Structure Wi (150 Deg)) (Continued)

	Member Label	Direction	Start Magnitude[lb/ft....	End Magnitude[lb/ft....	Start Location[ft,%]	End Location[ft,%]
109	MP4B	X	1.805	1.805	0	%100
110	MP4B	Z	3.127	3.127	0	%100
111	MP5B	X	1.805	1.805	0	%100
112	MP5B	Z	3.127	3.127	0	%100
113	OVP2	X	1.589	1.589	0	%100
114	OVP2	Z	2.753	2.753	0	%100
115	M126	X	1.679	1.679	0	%100
116	M126	Z	2.908	2.908	0	%100
117	MP2B	X	1.805	1.805	0	%100
118	MP2B	Z	3.127	3.127	0	%100
119	M136	X	1.142	1.142	0	%100
120	M136	Z	1.978	1.978	0	%100
121	M137	X	0	0	0	%100
122	M137	Z	0	0	0	%100
123	M138	X	1.142	1.142	0	%100
124	M138	Z	1.978	1.978	0	%100
125	M140	X	1.239	1.239	0	%100
126	M140	Z	2.147	2.147	0	%100
127	M142	X	2.053	2.053	0	%100
128	M142	Z	3.556	3.556	0	%100
129	M144	X	1.239	1.239	0	%100
130	M144	Z	2.147	2.147	0	%100

Member Distributed Loads (BLC 59 : Structure Wi (180 Deg))

	Member Label	Direction	Start Magnitude[lb/ft....	End Magnitude[lb/ft....	Start Location[ft,%]	End Location[ft,%]
1	M25	X	0	0	0	%100
2	M25	Z	0	0	0	%100
3	M26	X	0	0	0	%100
4	M26	Z	3.959	3.959	0	%100
5	M27	X	0	0	0	%100
6	M27	Z	3.959	3.959	0	%100
7	M28	X	0	0	0	%100
8	M28	Z	5.274	5.274	0	%100
9	M31	X	0	0	0	%100
10	M31	Z	.993	.993	0	%100
11	M32	X	0	0	0	%100
12	M32	Z	.993	.993	0	%100
13	M36	X	0	0	0	%100
14	M36	Z	0	0	0	%100
15	M37	X	0	0	0	%100
16	M37	Z	1.324	1.324	0	%100
17	M39	X	0	0	0	%100
18	M39	Z	1.378	1.378	0	%100
19	M41	X	0	0	0	%100
20	M41	Z	0	0	0	%100
21	M42	X	0	0	0	%100
22	M42	Z	1.324	1.324	0	%100
23	M44	X	0	0	0	%100
24	M44	Z	1.378	1.378	0	%100
25	FACE	X	0	0	0	%100
26	FACE	Z	4.477	4.477	0	%100
27	MP1A	X	0	0	0	%100
28	MP1A	Z	3.611	3.611	0	%100
29	MP3A	X	0	0	0	%100
30	MP3A	Z	3.611	3.611	0	%100
31	MP4A	X	0	0	0	%100
32	MP4A	Z	3.611	3.611	0	%100
33	MP5A	X	0	0	0	%100

Member Distributed Loads (BLC 59 : Structure Wi (180 Deg)) (Continued)

Member Label	Direction	Start Magnitude[lb/ft....]	End Magnitude[lb/ft....]	Start Location[ft.%]	End Location[ft.%]
34	MP5A	Z	3.611	3.611	0 %100
35	OVP1	X	0	0	0 %100
36	OVP1	Z	3.179	3.179	0 %100
37	M40A	X	0	0	0 %100
38	M40A	Z	4.477	4.477	0 %100
39	MP2A	X	0	0	0 %100
40	MP2A	Z	3.611	3.611	0 %100
41	M44A	X	0	0	0 %100
42	M44A	Z	3.203	3.203	0 %100
43	M45A	X	0	0	0 %100
44	M45A	Z	.99	.99	0 %100
45	M46A	X	0	0	0 %100
46	M46A	Z	.99	.99	0 %100
47	M47A	X	0	0	0 %100
48	M47A	Z	1.318	1.318	0 %100
49	M50	X	0	0	0 %100
50	M50	Z	.993	.993	0 %100
51	M51	X	0	0	0 %100
52	M51	Z	3.972	3.972	0 %100
53	M55	X	0	0	0 %100
54	M55	Z	3.917	3.917	0 %100
55	M56	X	0	0	0 %100
56	M56	Z	1.324	1.324	0 %100
57	M58	X	0	0	0 %100
58	M58	Z	1.378	1.378	0 %100
59	M60	X	0	0	0 %100
60	M60	Z	3.917	3.917	0 %100
61	M61	X	0	0	0 %100
62	M61	Z	5.296	5.296	0 %100
63	M63	X	0	0	0 %100
64	M63	Z	5.511	5.511	0 %100
65	M68	X	0	0	0 %100
66	M68	Z	1.119	1.119	0 %100
67	MP1C	X	0	0	0 %100
68	MP1C	Z	3.611	3.611	0 %100
69	MP3C	X	0	0	0 %100
70	MP3C	Z	3.611	3.611	0 %100
71	MP4C	X	0	0	0 %100
72	MP4C	Z	3.611	3.611	0 %100
73	MP5C	X	0	0	0 %100
74	MP5C	Z	3.611	3.611	0 %100
75	M83	X	0	0	0 %100
76	M83	Z	1.119	1.119	0 %100
77	MP2C	X	0	0	0 %100
78	MP2C	Z	3.611	3.611	0 %100
79	M87	X	0	0	0 %100
80	M87	Z	3.203	3.203	0 %100
81	M88	X	0	0	0 %100
82	M88	Z	.99	.99	0 %100
83	M89	X	0	0	0 %100
84	M89	Z	.99	.99	0 %100
85	M90	X	0	0	0 %100
86	M90	Z	1.318	1.318	0 %100
87	M93	X	0	0	0 %100
88	M93	Z	3.972	3.972	0 %100
89	M94	X	0	0	0 %100
90	M94	Z	.993	.993	0 %100
91	M98	X	0	0	0 %100
92	M98	Z	3.917	3.917	0 %100

Member Distributed Loads (BLC 59 : Structure Wi (180 Deg)) (Continued)

	Member Label	Direction	Start Magnitude[lb/ft....	End Magnitude[lb/ft....	Start Location[ft, %]	End Location[ft, %]
93	M99	X	0	0	0	%100
94	M99	Z	5.296	5.296	0	%100
95	M101A	X	0	0	0	%100
96	M101A	Z	5.511	5.511	0	%100
97	M103	X	0	0	0	%100
98	M103	Z	3.917	3.917	0	%100
99	M104	X	0	0	0	%100
100	M104	Z	1.324	1.324	0	%100
101	M106	X	0	0	0	%100
102	M106	Z	1.378	1.378	0	%100
103	M111	X	0	0	0	%100
104	M111	Z	1.119	1.119	0	%100
105	MP1B	X	0	0	0	%100
106	MP1B	Z	3.611	3.611	0	%100
107	MP3B	X	0	0	0	%100
108	MP3B	Z	3.611	3.611	0	%100
109	MP4B	X	0	0	0	%100
110	MP4B	Z	3.611	3.611	0	%100
111	MP5B	X	0	0	0	%100
112	MP5B	Z	3.611	3.611	0	%100
113	OVP2	X	0	0	0	%100
114	OVP2	Z	3.179	3.179	0	%100
115	M126	X	0	0	0	%100
116	M126	Z	1.119	1.119	0	%100
117	MP2B	X	0	0	0	%100
118	MP2B	Z	3.611	3.611	0	%100
119	M136	X	0	0	0	%100
120	M136	Z	3.046	3.046	0	%100
121	M137	X	0	0	0	%100
122	M137	Z	.761	.761	0	%100
123	M138	X	0	0	0	%100
124	M138	Z	.761	.761	0	%100
125	M140	X	0	0	0	%100
126	M140	Z	1.936	1.936	0	%100
127	M142	X	0	0	0	%100
128	M142	Z	3.564	3.564	0	%100
129	M144	X	0	0	0	%100
130	M144	Z	3.564	3.564	0	%100

Member Distributed Loads (BLC 60 : Structure Wi (210 Deg))

	Member Label	Direction	Start Magnitude[lb/ft....	End Magnitude[lb/ft....	Start Location[ft, %]	End Location[ft, %]
1	M25	X	-.533	-.533	0	%100
2	M25	Z	.923	.923	0	%100
3	M26	X	-1.485	-1.485	0	%100
4	M26	Z	2.571	2.571	0	%100
5	M27	X	-1.485	-1.485	0	%100
6	M27	Z	2.571	2.571	0	%100
7	M28	X	-1.978	-1.978	0	%100
8	M28	Z	3.426	3.426	0	%100
9	M31	X	-1.49	-1.49	0	%100
10	M31	Z	2.58	2.58	0	%100
11	M32	X	0	0	0	%100
12	M32	Z	0	0	0	%100
13	M36	X	-.653	-.653	0	%100
14	M36	Z	1.131	1.131	0	%100
15	M37	X	-1.986	-1.986	0	%100
16	M37	Z	3.44	3.44	0	%100
17	M39	X	-2.067	-2.067	0	%100

Member Distributed Loads (BLC 60 : Structure Wi (210 Deg)) (Continued)

Member Label	Direction	Start Magnitude lb/ft....	End Magnitude lb/ft....	Start Location ft.%	End Location ft.%
18	M39	Z	3.58	3.58	0 %100
19	M41	X	-.653	-.653	0 %100
20	M41	Z	1.131	1.131	0 %100
21	M42	X	0	0	0 %100
22	M42	Z	0	0	0 %100
23	M44	X	0	0	0 %100
24	M44	Z	0	0	0 %100
25	FACE	X	-1.679	-1.679	0 %100
26	FACE	Z	2.908	2.908	0 %100
27	MP1A	X	-1.805	-1.805	0 %100
28	MP1A	Z	3.127	3.127	0 %100
29	MP3A	X	-1.805	-1.805	0 %100
30	MP3A	Z	3.127	3.127	0 %100
31	MP4A	X	-1.805	-1.805	0 %100
32	MP4A	Z	3.127	3.127	0 %100
33	MP5A	X	-1.805	-1.805	0 %100
34	MP5A	Z	3.127	3.127	0 %100
35	OVP1	X	-1.589	-1.589	0 %100
36	OVP1	Z	2.753	2.753	0 %100
37	M40A	X	-1.679	-1.679	0 %100
38	M40A	Z	2.908	2.908	0 %100
39	MP2A	X	-1.805	-1.805	0 %100
40	MP2A	Z	3.127	3.127	0 %100
41	M44A	X	-.534	-.534	0 %100
42	M44A	Z	.925	.925	0 %100
43	M45A	X	-1.485	-1.485	0 %100
44	M45A	Z	2.571	2.571	0 %100
45	M46A	X	-1.485	-1.485	0 %100
46	M46A	Z	2.571	2.571	0 %100
47	M47A	X	-1.978	-1.978	0 %100
48	M47A	Z	3.426	3.426	0 %100
49	M50	X	0	0	0 %100
50	M50	Z	0	0	0 %100
51	M51	X	-1.49	-1.49	0 %100
52	M51	Z	2.58	2.58	0 %100
53	M55	X	-.653	-.653	0 %100
54	M55	Z	1.131	1.131	0 %100
55	M56	X	0	0	0 %100
56	M56	Z	0	0	0 %100
57	M58	X	0	0	0 %100
58	M58	Z	0	0	0 %100
59	M60	X	-.653	-.653	0 %100
60	M60	Z	1.131	1.131	0 %100
61	M61	X	-1.986	-1.986	0 %100
62	M61	Z	3.44	3.44	0 %100
63	M63	X	-2.067	-2.067	0 %100
64	M63	Z	3.58	3.58	0 %100
65	M68	X	-1.679	-1.679	0 %100
66	M68	Z	2.908	2.908	0 %100
67	MP1C	X	-1.805	-1.805	0 %100
68	MP1C	Z	3.127	3.127	0 %100
69	MP3C	X	-1.805	-1.805	0 %100
70	MP3C	Z	3.127	3.127	0 %100
71	MP4C	X	-1.805	-1.805	0 %100
72	MP4C	Z	3.127	3.127	0 %100
73	MP5C	X	-1.805	-1.805	0 %100
74	MP5C	Z	3.127	3.127	0 %100
75	M83	X	-1.679	-1.679	0 %100
76	M83	Z	2.908	2.908	0 %100

Member Distributed Loads (BLC 60 : Structure Wi (210 Deg)) (Continued)

	Member Label	Direction	Start Magnitude[lb/ft....	End Magnitude[lb/ft....	Start Location[ft, %]	End Location[ft, %]
77	MP2C	X	-1.805	-1.805	0	%100
78	MP2C	Z	3.127	3.127	0	%100
79	M87	X	-2.135	-2.135	0	%100
80	M87	Z	3.698	3.698	0	%100
81	M88	X	0	0	0	%100
82	M88	Z	0	0	0	%100
83	M89	X	0	0	0	%100
84	M89	Z	0	0	0	%100
85	M90	X	0	0	0	%100
86	M90	Z	0	0	0	%100
87	M93	X	-1.49	-1.49	0	%100
88	M93	Z	2.58	2.58	0	%100
89	M94	X	-1.49	-1.49	0	%100
90	M94	Z	2.58	2.58	0	%100
91	M98	X	-2.612	-2.612	0	%100
92	M98	Z	4.523	4.523	0	%100
93	M99	X	-1.986	-1.986	0	%100
94	M99	Z	3.44	3.44	0	%100
95	M101A	X	-2.067	-2.067	0	%100
96	M101A	Z	3.58	3.58	0	%100
97	M103	X	-2.612	-2.612	0	%100
98	M103	Z	4.523	4.523	0	%100
99	M104	X	-1.986	-1.986	0	%100
100	M104	Z	3.44	3.44	0	%100
101	M106	X	-2.067	-2.067	0	%100
102	M106	Z	3.58	3.58	0	%100
103	M111	X	0	0	0	%100
104	M111	Z	0	0	0	%100
105	MP1B	X	-1.805	-1.805	0	%100
106	MP1B	Z	3.127	3.127	0	%100
107	MP3B	X	-1.805	-1.805	0	%100
108	MP3B	Z	3.127	3.127	0	%100
109	MP4B	X	-1.805	-1.805	0	%100
110	MP4B	Z	3.127	3.127	0	%100
111	MP5B	X	-1.805	-1.805	0	%100
112	MP5B	Z	3.127	3.127	0	%100
113	OVP2	X	-1.589	-1.589	0	%100
114	OVP2	Z	2.753	2.753	0	%100
115	M126	X	0	0	0	%100
116	M126	Z	0	0	0	%100
117	MP2B	X	-1.805	-1.805	0	%100
118	MP2B	Z	3.127	3.127	0	%100
119	M136	X	-1.142	-1.142	0	%100
120	M136	Z	1.978	1.978	0	%100
121	M137	X	-1.142	-1.142	0	%100
122	M137	Z	1.978	1.978	0	%100
123	M138	X	0	0	0	%100
124	M138	Z	0	0	0	%100
125	M140	X	-1.239	-1.239	0	%100
126	M140	Z	2.147	2.147	0	%100
127	M142	X	-1.239	-1.239	0	%100
128	M142	Z	2.147	2.147	0	%100
129	M144	X	-2.053	-2.053	0	%100
130	M144	Z	3.556	3.556	0	%100

Member Distributed Loads (BLC 61 : Structure Wi (240 Deg))

	Member Label	Direction	Start Magnitude[lb/ft....	End Magnitude[lb/ft....	Start Location[ft, %]	End Location[ft, %]
1	M25	X	-2.77	-2.77	0	%100

Member Distributed Loads (BLC 61 : Structure Wi (240 Deg)) (Continued)

Member Label	Direction	Start Magnitude[lb/ft....]	End Magnitude[lb/ft....]	Start Location[ft.%]	End Location[ft.%]
2	M25	Z	1.599	1.599	0 %100
3	M26	X	-0.857	-0.857	0 %100
4	M26	Z	.495	.495	0 %100
5	M27	X	-0.857	-0.857	0 %100
6	M27	Z	.495	.495	0 %100
7	M28	X	-1.142	-1.142	0 %100
8	M28	Z	.659	.659	0 %100
9	M31	X	-3.44	-3.44	0 %100
10	M31	Z	1.986	1.986	0 %100
11	M32	X	-0.86	-0.86	0 %100
12	M32	Z	.497	.497	0 %100
13	M36	X	-3.393	-3.393	0 %100
14	M36	Z	1.959	1.959	0 %100
15	M37	X	-4.587	-4.587	0 %100
16	M37	Z	2.648	2.648	0 %100
17	M39	X	-4.773	-4.773	0 %100
18	M39	Z	2.756	2.756	0 %100
19	M41	X	-3.393	-3.393	0 %100
20	M41	Z	1.959	1.959	0 %100
21	M42	X	-1.147	-1.147	0 %100
22	M42	Z	.662	.662	0 %100
23	M44	X	-1.193	-1.193	0 %100
24	M44	Z	.689	.689	0 %100
25	FACE	X	-0.969	-0.969	0 %100
26	FACE	Z	.56	.56	0 %100
27	MP1A	X	-3.127	-3.127	0 %100
28	MP1A	Z	1.805	1.805	0 %100
29	MP3A	X	-3.127	-3.127	0 %100
30	MP3A	Z	1.805	1.805	0 %100
31	MP4A	X	-3.127	-3.127	0 %100
32	MP4A	Z	1.805	1.805	0 %100
33	MP5A	X	-3.127	-3.127	0 %100
34	MP5A	Z	1.805	1.805	0 %100
35	OVP1	X	-2.753	-2.753	0 %100
36	OVP1	Z	1.589	1.589	0 %100
37	M40A	X	-0.969	-0.969	0 %100
38	M40A	Z	.56	.56	0 %100
39	MP2A	X	-3.127	-3.127	0 %100
40	MP2A	Z	1.805	1.805	0 %100
41	M44A	X	0	0	0 %100
42	M44A	Z	0	0	0 %100
43	M45A	X	-3.429	-3.429	0 %100
44	M45A	Z	1.98	1.98	0 %100
45	M46A	X	-3.429	-3.429	0 %100
46	M46A	Z	1.98	1.98	0 %100
47	M47A	X	-4.567	-4.567	0 %100
48	M47A	Z	2.637	2.637	0 %100
49	M50	X	-0.86	-0.86	0 %100
50	M50	Z	.497	.497	0 %100
51	M51	X	-0.86	-0.86	0 %100
52	M51	Z	.497	.497	0 %100
53	M55	X	0	0	0 %100
54	M55	Z	0	0	0 %100
55	M56	X	-1.147	-1.147	0 %100
56	M56	Z	.662	.662	0 %100
57	M58	X	-1.193	-1.193	0 %100
58	M58	Z	.689	.689	0 %100
59	M60	X	0	0	0 %100
60	M60	Z	0	0	0 %100

Member Distributed Loads (BLC 61 : Structure Wi (240 Deg)) (Continued)

Member Label	Direction	Start Magnitude[lb/ft....]	End Magnitude[lb/ft....]	Start Location[ft.%]	End Location[ft.%]
61	M61	X	-1.147	-1.147	0 %100
62	M61	Z	.662	.662	0 %100
63	M63	X	-1.193	-1.193	0 %100
64	M63	Z	.689	.689	0 %100
65	M68	X	-3.877	-3.877	0 %100
66	M68	Z	2.239	2.239	0 %100
67	MP1C	X	-3.127	-3.127	0 %100
68	MP1C	Z	1.805	1.805	0 %100
69	MP3C	X	-3.127	-3.127	0 %100
70	MP3C	Z	1.805	1.805	0 %100
71	MP4C	X	-3.127	-3.127	0 %100
72	MP4C	Z	1.805	1.805	0 %100
73	MP5C	X	-3.127	-3.127	0 %100
74	MP5C	Z	1.805	1.805	0 %100
75	M83	X	-3.877	-3.877	0 %100
76	M83	Z	2.239	2.239	0 %100
77	MP2C	X	-3.127	-3.127	0 %100
78	MP2C	Z	1.805	1.805	0 %100
79	M87	X	-2.774	-2.774	0 %100
80	M87	Z	1.601	1.601	0 %100
81	M88	X	-.857	-.857	0 %100
82	M88	Z	.495	.495	0 %100
83	M89	X	-.857	-.857	0 %100
84	M89	Z	.495	.495	0 %100
85	M90	X	-1.142	-1.142	0 %100
86	M90	Z	.659	.659	0 %100
87	M93	X	-.86	-.86	0 %100
88	M93	Z	.497	.497	0 %100
89	M94	X	-3.44	-3.44	0 %100
90	M94	Z	1.986	1.986	0 %100
91	M98	X	-3.393	-3.393	0 %100
92	M98	Z	1.959	1.959	0 %100
93	M99	X	-1.147	-1.147	0 %100
94	M99	Z	.662	.662	0 %100
95	M101A	X	-1.193	-1.193	0 %100
96	M101A	Z	.689	.689	0 %100
97	M103	X	-3.393	-3.393	0 %100
98	M103	Z	1.959	1.959	0 %100
99	M104	X	-4.587	-4.587	0 %100
100	M104	Z	2.648	2.648	0 %100
101	M106	X	-4.773	-4.773	0 %100
102	M106	Z	2.756	2.756	0 %100
103	M111	X	-.969	-.969	0 %100
104	M111	Z	.56	.56	0 %100
105	MP1B	X	-3.127	-3.127	0 %100
106	MP1B	Z	1.805	1.805	0 %100
107	MP3B	X	-3.127	-3.127	0 %100
108	MP3B	Z	1.805	1.805	0 %100
109	MP4B	X	-3.127	-3.127	0 %100
110	MP4B	Z	1.805	1.805	0 %100
111	MP5B	X	-3.127	-3.127	0 %100
112	MP5B	Z	1.805	1.805	0 %100
113	OVP2	X	-2.753	-2.753	0 %100
114	OVP2	Z	1.589	1.589	0 %100
115	M126	X	-.969	-.969	0 %100
116	M126	Z	.56	.56	0 %100
117	MP2B	X	-3.127	-3.127	0 %100
118	MP2B	Z	1.805	1.805	0 %100
119	M136	X	-.659	-.659	0 %100

Member Distributed Loads (BLC 61 : Structure Wi (240 Deg)) (Continued)

	Member Label	Direction	Start Magnitude[lb/ft....]	End Magnitude[lb/ft....]	Start Location[ft.%]	End Location[ft.%]
120	M136	Z	.381	.381	0	%100
121	M137	X	-2.638	-2.638	0	%100
122	M137	Z	1.523	1.523	0	%100
123	M138	X	-.659	-.659	0	%100
124	M138	Z	.381	.381	0	%100
125	M140	X	-3.086	-3.086	0	%100
126	M140	Z	1.782	1.782	0	%100
127	M142	X	-1.677	-1.677	0	%100
128	M142	Z	.968	.968	0	%100
129	M144	X	-3.086	-3.086	0	%100
130	M144	Z	1.782	1.782	0	%100

Member Distributed Loads (BLC 62 : Structure Wi (270 Deg))

	Member Label	Direction	Start Magnitude[lb/ft....]	End Magnitude[lb/ft....]	Start Location[ft.%]	End Location[ft.%]
1	M25	X	-4.264	-4.264	0	%100
2	M25	Z	0	0	0	%100
3	M26	X	0	0	0	%100
4	M26	Z	0	0	0	%100
5	M27	X	0	0	0	%100
6	M27	Z	0	0	0	%100
7	M28	X	0	0	0	%100
8	M28	Z	0	0	0	%100
9	M31	X	-2.979	-2.979	0	%100
10	M31	Z	0	0	0	%100
11	M32	X	-2.979	-2.979	0	%100
12	M32	Z	0	0	0	%100
13	M36	X	-5.223	-5.223	0	%100
14	M36	Z	0	0	0	%100
15	M37	X	-3.972	-3.972	0	%100
16	M37	Z	0	0	0	%100
17	M39	X	-4.133	-4.133	0	%100
18	M39	Z	0	0	0	%100
19	M41	X	-5.223	-5.223	0	%100
20	M41	Z	0	0	0	%100
21	M42	X	-3.972	-3.972	0	%100
22	M42	Z	0	0	0	%100
23	M44	X	-4.133	-4.133	0	%100
24	M44	Z	0	0	0	%100
25	FACE	X	0	0	0	%100
26	FACE	Z	0	0	0	%100
27	MP1A	X	-3.611	-3.611	0	%100
28	MP1A	Z	0	0	0	%100
29	MP3A	X	-3.611	-3.611	0	%100
30	MP3A	Z	0	0	0	%100
31	MP4A	X	-3.611	-3.611	0	%100
32	MP4A	Z	0	0	0	%100
33	MP5A	X	-3.611	-3.611	0	%100
34	MP5A	Z	0	0	0	%100
35	OVP1	X	-3.179	-3.179	0	%100
36	OVP1	Z	0	0	0	%100
37	M40A	X	0	0	0	%100
38	M40A	Z	0	0	0	%100
39	MP2A	X	-3.611	-3.611	0	%100
40	MP2A	Z	0	0	0	%100
41	M44A	X	-1.068	-1.068	0	%100
42	M44A	Z	0	0	0	%100
43	M45A	X	-2.969	-2.969	0	%100
44	M45A	Z	0	0	0	%100

Member Distributed Loads (BLC 62 : Structure Wi (270 Deg)) (Continued)

Member Label	Direction	Start Magnitude[lb/ft....	End Magnitude[lb/ft....	Start Location[ft.%]	End Location[ft.%]
45	M46A	X	-2.969	-2.969	0 %100
46	M46A	Z	0	0	0 %100
47	M47A	X	-3.955	-3.955	0 %100
48	M47A	Z	0	0	0 %100
49	M50	X	-2.979	-2.979	0 %100
50	M50	Z	0	0	0 %100
51	M51	X	0	0	0 %100
52	M51	Z	0	0	0 %100
53	M55	X	-1.306	-1.306	0 %100
54	M55	Z	0	0	0 %100
55	M56	X	-3.972	-3.972	0 %100
56	M56	Z	0	0	0 %100
57	M58	X	-4.133	-4.133	0 %100
58	M58	Z	0	0	0 %100
59	M60	X	-1.306	-1.306	0 %100
60	M60	Z	0	0	0 %100
61	M61	X	0	0	0 %100
62	M61	Z	0	0	0 %100
63	M63	X	0	0	0 %100
64	M63	Z	0	0	0 %100
65	M68	X	-3.358	-3.358	0 %100
66	M68	Z	0	0	0 %100
67	MP1C	X	-3.611	-3.611	0 %100
68	MP1C	Z	0	0	0 %100
69	MP3C	X	-3.611	-3.611	0 %100
70	MP3C	Z	0	0	0 %100
71	MP4C	X	-3.611	-3.611	0 %100
72	MP4C	Z	0	0	0 %100
73	MP5C	X	-3.611	-3.611	0 %100
74	MP5C	Z	0	0	0 %100
75	M83	X	-3.358	-3.358	0 %100
76	M83	Z	0	0	0 %100
77	MP2C	X	-3.611	-3.611	0 %100
78	MP2C	Z	0	0	0 %100
79	M87	X	-1.068	-1.068	0 %100
80	M87	Z	0	0	0 %100
81	M88	X	-2.969	-2.969	0 %100
82	M88	Z	0	0	0 %100
83	M89	X	-2.969	-2.969	0 %100
84	M89	Z	0	0	0 %100
85	M90	X	-3.955	-3.955	0 %100
86	M90	Z	0	0	0 %100
87	M93	X	0	0	0 %100
88	M93	Z	0	0	0 %100
89	M94	X	-2.979	-2.979	0 %100
90	M94	Z	0	0	0 %100
91	M98	X	-1.306	-1.306	0 %100
92	M98	Z	0	0	0 %100
93	M99	X	0	0	0 %100
94	M99	Z	0	0	0 %100
95	M101A	X	0	0	0 %100
96	M101A	Z	0	0	0 %100
97	M103	X	-1.306	-1.306	0 %100
98	M103	Z	0	0	0 %100
99	M104	X	-3.972	-3.972	0 %100
100	M104	Z	0	0	0 %100
101	M106	X	-4.133	-4.133	0 %100
102	M106	Z	0	0	0 %100
103	M111	X	-3.358	-3.358	0 %100

Member Distributed Loads (BLC 62 : Structure Wi (270 Deg)) (Continued)

	Member Label	Direction	Start Magnitude[lb/ft....]	End Magnitude[lb/ft....]	Start Location[ft.%]	End Location[ft.%]
104	M111	Z	0	0	0	%100
105	MP1B	X	-3.611	-3.611	0	%100
106	MP1B	Z	0	0	0	%100
107	MP3B	X	-3.611	-3.611	0	%100
108	MP3B	Z	0	0	0	%100
109	MP4B	X	-3.611	-3.611	0	%100
110	MP4B	Z	0	0	0	%100
111	MP5B	X	-3.611	-3.611	0	%100
112	MP5B	Z	0	0	0	%100
113	OVP2	X	-3.179	-3.179	0	%100
114	OVP2	Z	0	0	0	%100
115	M126	X	-3.358	-3.358	0	%100
116	M126	Z	0	0	0	%100
117	MP2B	X	-3.611	-3.611	0	%100
118	MP2B	Z	0	0	0	%100
119	M136	X	0	0	0	%100
120	M136	Z	0	0	0	%100
121	M137	X	-2.284	-2.284	0	%100
122	M137	Z	0	0	0	%100
123	M138	X	-2.284	-2.284	0	%100
124	M138	Z	0	0	0	%100
125	M140	X	-4.107	-4.107	0	%100
126	M140	Z	0	0	0	%100
127	M142	X	-2.479	-2.479	0	%100
128	M142	Z	0	0	0	%100
129	M144	X	-2.479	-2.479	0	%100
130	M144	Z	0	0	0	%100

Member Distributed Loads (BLC 63 : Structure Wi (300 Deg))

	Member Label	Direction	Start Magnitude[lb/ft....]	End Magnitude[lb/ft....]	Start Location[ft.%]	End Location[ft.%]
1	M25	X	-2.77	-2.77	0	%100
2	M25	Z	-1.599	-1.599	0	%100
3	M26	X	-.857	-.857	0	%100
4	M26	Z	-.495	-.495	0	%100
5	M27	X	-.857	-.857	0	%100
6	M27	Z	-.495	-.495	0	%100
7	M28	X	-1.142	-1.142	0	%100
8	M28	Z	-.659	-.659	0	%100
9	M31	X	-.86	-.86	0	%100
10	M31	Z	-.497	-.497	0	%100
11	M32	X	-3.44	-3.44	0	%100
12	M32	Z	-1.986	-1.986	0	%100
13	M36	X	-3.393	-3.393	0	%100
14	M36	Z	-1.959	-1.959	0	%100
15	M37	X	-1.147	-1.147	0	%100
16	M37	Z	-.662	-.662	0	%100
17	M39	X	-1.193	-1.193	0	%100
18	M39	Z	-.689	-.689	0	%100
19	M41	X	-3.393	-3.393	0	%100
20	M41	Z	-1.959	-1.959	0	%100
21	M42	X	-4.587	-4.587	0	%100
22	M42	Z	-2.648	-2.648	0	%100
23	M44	X	-4.773	-4.773	0	%100
24	M44	Z	-2.756	-2.756	0	%100
25	FACE	X	-.969	-.969	0	%100
26	FACE	Z	-.56	-.56	0	%100
27	MP1A	X	-3.127	-3.127	0	%100
28	MP1A	Z	-1.805	-1.805	0	%100

Member Distributed Loads (BLC 63 : Structure Wi (300 Deg)) (Continued)

Member Label	Direction	Start Magnitude[lb/ft....	End Magnitude[lb/ft....	Start Location[ft.%]	End Location[ft.%]
29	MP3A	X	-3.127	-3.127	0 %100
30	MP3A	Z	-1.805	-1.805	0 %100
31	MP4A	X	-3.127	-3.127	0 %100
32	MP4A	Z	-1.805	-1.805	0 %100
33	MP5A	X	-3.127	-3.127	0 %100
34	MP5A	Z	-1.805	-1.805	0 %100
35	OVP1	X	-2.753	-2.753	0 %100
36	OVP1	Z	-1.589	-1.589	0 %100
37	M40A	X	-.969	-.969	0 %100
38	M40A	Z	-.56	-.56	0 %100
39	MP2A	X	-3.127	-3.127	0 %100
40	MP2A	Z	-1.805	-1.805	0 %100
41	M44A	X	-2.774	-2.774	0 %100
42	M44A	Z	-1.601	-1.601	0 %100
43	M45A	X	-.857	-.857	0 %100
44	M45A	Z	-.495	-.495	0 %100
45	M46A	X	-.857	-.857	0 %100
46	M46A	Z	-.495	-.495	0 %100
47	M47A	X	-1.142	-1.142	0 %100
48	M47A	Z	-.659	-.659	0 %100
49	M50	X	-3.44	-3.44	0 %100
50	M50	Z	-1.986	-1.986	0 %100
51	M51	X	-.86	-.86	0 %100
52	M51	Z	-.497	-.497	0 %100
53	M55	X	-3.393	-3.393	0 %100
54	M55	Z	-1.959	-1.959	0 %100
55	M56	X	-4.587	-4.587	0 %100
56	M56	Z	-2.648	-2.648	0 %100
57	M58	X	-4.773	-4.773	0 %100
58	M58	Z	-2.756	-2.756	0 %100
59	M60	X	-3.393	-3.393	0 %100
60	M60	Z	-1.959	-1.959	0 %100
61	M61	X	-1.147	-1.147	0 %100
62	M61	Z	-.662	-.662	0 %100
63	M63	X	-1.193	-1.193	0 %100
64	M63	Z	-.689	-.689	0 %100
65	M68	X	-.969	-.969	0 %100
66	M68	Z	-.56	-.56	0 %100
67	MP1C	X	-3.127	-3.127	0 %100
68	MP1C	Z	-1.805	-1.805	0 %100
69	MP3C	X	-3.127	-3.127	0 %100
70	MP3C	Z	-1.805	-1.805	0 %100
71	MP4C	X	-3.127	-3.127	0 %100
72	MP4C	Z	-1.805	-1.805	0 %100
73	MP5C	X	-3.127	-3.127	0 %100
74	MP5C	Z	-1.805	-1.805	0 %100
75	M83	X	-.969	-.969	0 %100
76	M83	Z	-.56	-.56	0 %100
77	MP2C	X	-3.127	-3.127	0 %100
78	MP2C	Z	-1.805	-1.805	0 %100
79	M87	X	0	0	0 %100
80	M87	Z	0	0	0 %100
81	M88	X	-3.429	-3.429	0 %100
82	M88	Z	-1.98	-1.98	0 %100
83	M89	X	-3.429	-3.429	0 %100
84	M89	Z	-1.98	-1.98	0 %100
85	M90	X	-4.567	-4.567	0 %100
86	M90	Z	-2.637	-2.637	0 %100
87	M93	X	-.86	-.86	0 %100

Member Distributed Loads (BLC 63 : Structure Wi (300 Deg)) (Continued)

	Member Label	Direction	Start Magnitude[lb/ft....	End Magnitude[lb/ft....	Start Location[ft.%]	End Location[ft.%]
88	M93	Z	-497	-497	0	%100
89	M94	X	-86	-86	0	%100
90	M94	Z	-497	-497	0	%100
91	M98	X	0	0	0	%100
92	M98	Z	0	0	0	%100
93	M99	X	-1.147	-1.147	0	%100
94	M99	Z	-662	-662	0	%100
95	M101A	X	-1.193	-1.193	0	%100
96	M101A	Z	-689	-689	0	%100
97	M103	X	0	0	0	%100
98	M103	Z	0	0	0	%100
99	M104	X	-1.147	-1.147	0	%100
100	M104	Z	-662	-662	0	%100
101	M106	X	-1.193	-1.193	0	%100
102	M106	Z	-689	-689	0	%100
103	M111	X	-3.877	-3.877	0	%100
104	M111	Z	-2.239	-2.239	0	%100
105	MP1B	X	-3.127	-3.127	0	%100
106	MP1B	Z	-1.805	-1.805	0	%100
107	MP3B	X	-3.127	-3.127	0	%100
108	MP3B	Z	-1.805	-1.805	0	%100
109	MP4B	X	-3.127	-3.127	0	%100
110	MP4B	Z	-1.805	-1.805	0	%100
111	MP5B	X	-3.127	-3.127	0	%100
112	MP5B	Z	-1.805	-1.805	0	%100
113	OVP2	X	-2.753	-2.753	0	%100
114	OVP2	Z	-1.589	-1.589	0	%100
115	M126	X	-3.877	-3.877	0	%100
116	M126	Z	-2.239	-2.239	0	%100
117	MP2B	X	-3.127	-3.127	0	%100
118	MP2B	Z	-1.805	-1.805	0	%100
119	M136	X	-659	-659	0	%100
120	M136	Z	-381	-381	0	%100
121	M137	X	-659	-659	0	%100
122	M137	Z	-381	-381	0	%100
123	M138	X	-2.638	-2.638	0	%100
124	M138	Z	-1.523	-1.523	0	%100
125	M140	X	-3.086	-3.086	0	%100
126	M140	Z	-1.782	-1.782	0	%100
127	M142	X	-3.086	-3.086	0	%100
128	M142	Z	-1.782	-1.782	0	%100
129	M144	X	-1.677	-1.677	0	%100
130	M144	Z	-968	-968	0	%100

Member Distributed Loads (BLC 64 : Structure Wi (330 Deg))

	Member Label	Direction	Start Magnitude[lb/ft....	End Magnitude[lb/ft....	Start Location[ft.%]	End Location[ft.%]
1	M25	X	-533	-533	0	%100
2	M25	Z	-923	-923	0	%100
3	M26	X	-1.485	-1.485	0	%100
4	M26	Z	-2.571	-2.571	0	%100
5	M27	X	-1.485	-1.485	0	%100
6	M27	Z	-2.571	-2.571	0	%100
7	M28	X	-1.978	-1.978	0	%100
8	M28	Z	-3.426	-3.426	0	%100
9	M31	X	0	0	0	%100
10	M31	Z	0	0	0	%100
11	M32	X	-1.49	-1.49	0	%100
12	M32	Z	-2.58	-2.58	0	%100

Member Distributed Loads (BLC 64 : Structure Wi (330 Deg)) (Continued)

Member Label	Direction	Start Magnitude[lb/ft....	End Magnitude[lb/ft....	Start Location[ft.%]	End Location[ft.%]
13	M36	X	-.653	-.653	0 %100
14	M36	Z	-1.131	-1.131	0 %100
15	M37	X	0	0	0 %100
16	M37	Z	0	0	0 %100
17	M39	X	0	0	0 %100
18	M39	Z	0	0	0 %100
19	M41	X	-.653	-.653	0 %100
20	M41	Z	-1.131	-1.131	0 %100
21	M42	X	-1.986	-1.986	0 %100
22	M42	Z	-3.44	-3.44	0 %100
23	M44	X	-2.067	-2.067	0 %100
24	M44	Z	-3.58	-3.58	0 %100
25	FACE	X	-1.679	-1.679	0 %100
26	FACE	Z	-2.908	-2.908	0 %100
27	MP1A	X	-1.805	-1.805	0 %100
28	MP1A	Z	-3.127	-3.127	0 %100
29	MP3A	X	-1.805	-1.805	0 %100
30	MP3A	Z	-3.127	-3.127	0 %100
31	MP4A	X	-1.805	-1.805	0 %100
32	MP4A	Z	-3.127	-3.127	0 %100
33	MP5A	X	-1.805	-1.805	0 %100
34	MP5A	Z	-3.127	-3.127	0 %100
35	OVP1	X	-1.589	-1.589	0 %100
36	OVP1	Z	-2.753	-2.753	0 %100
37	M40A	X	-1.679	-1.679	0 %100
38	M40A	Z	-2.908	-2.908	0 %100
39	MP2A	X	-1.805	-1.805	0 %100
40	MP2A	Z	-3.127	-3.127	0 %100
41	M44A	X	-2.135	-2.135	0 %100
42	M44A	Z	-3.698	-3.698	0 %100
43	M45A	X	0	0	0 %100
44	M45A	Z	0	0	0 %100
45	M46A	X	0	0	0 %100
46	M46A	Z	0	0	0 %100
47	M47A	X	0	0	0 %100
48	M47A	Z	0	0	0 %100
49	M50	X	-1.49	-1.49	0 %100
50	M50	Z	-2.58	-2.58	0 %100
51	M51	X	-1.49	-1.49	0 %100
52	M51	Z	-2.58	-2.58	0 %100
53	M55	X	-2.612	-2.612	0 %100
54	M55	Z	-4.523	-4.523	0 %100
55	M56	X	-1.986	-1.986	0 %100
56	M56	Z	-3.44	-3.44	0 %100
57	M58	X	-2.067	-2.067	0 %100
58	M58	Z	-3.58	-3.58	0 %100
59	M60	X	-2.612	-2.612	0 %100
60	M60	Z	-4.523	-4.523	0 %100
61	M61	X	-1.986	-1.986	0 %100
62	M61	Z	-3.44	-3.44	0 %100
63	M63	X	-2.067	-2.067	0 %100
64	M63	Z	-3.58	-3.58	0 %100
65	M68	X	0	0	0 %100
66	M68	Z	0	0	0 %100
67	MP1C	X	-1.805	-1.805	0 %100
68	MP1C	Z	-3.127	-3.127	0 %100
69	MP3C	X	-1.805	-1.805	0 %100
70	MP3C	Z	-3.127	-3.127	0 %100
71	MP4C	X	-1.805	-1.805	0 %100

Member Distributed Loads (BLC 64 : Structure Wi (330 Deg)) (Continued)

Member Label	Direction	Start Magnitude[lb/ft....]	End Magnitude[lb/ft....]	Start Location[ft.%]	End Location[ft.%]
72	MP4C	Z	-3.127	-3.127	0 %100
73	MP5C	X	-1.805	-1.805	0 %100
74	MP5C	Z	-3.127	-3.127	0 %100
75	M83	X	0	0	0 %100
76	M83	Z	0	0	0 %100
77	MP2C	X	-1.805	-1.805	0 %100
78	MP2C	Z	-3.127	-3.127	0 %100
79	M87	X	-.534	-.534	0 %100
80	M87	Z	-.925	-.925	0 %100
81	M88	X	-1.485	-1.485	0 %100
82	M88	Z	-2.571	-2.571	0 %100
83	M89	X	-1.485	-1.485	0 %100
84	M89	Z	-2.571	-2.571	0 %100
85	M90	X	-1.978	-1.978	0 %100
86	M90	Z	-3.426	-3.426	0 %100
87	M93	X	-1.49	-1.49	0 %100
88	M93	Z	-2.58	-2.58	0 %100
89	M94	X	0	0	0 %100
90	M94	Z	0	0	0 %100
91	M98	X	-.653	-.653	0 %100
92	M98	Z	-1.131	-1.131	0 %100
93	M99	X	-1.986	-1.986	0 %100
94	M99	Z	-3.44	-3.44	0 %100
95	M101A	X	-2.067	-2.067	0 %100
96	M101A	Z	-3.58	-3.58	0 %100
97	M103	X	-.653	-.653	0 %100
98	M103	Z	-1.131	-1.131	0 %100
99	M104	X	0	0	0 %100
100	M104	Z	0	0	0 %100
101	M106	X	0	0	0 %100
102	M106	Z	0	0	0 %100
103	M111	X	-1.679	-1.679	0 %100
104	M111	Z	-2.908	-2.908	0 %100
105	MP1B	X	-1.805	-1.805	0 %100
106	MP1B	Z	-3.127	-3.127	0 %100
107	MP3B	X	-1.805	-1.805	0 %100
108	MP3B	Z	-3.127	-3.127	0 %100
109	MP4B	X	-1.805	-1.805	0 %100
110	MP4B	Z	-3.127	-3.127	0 %100
111	MP5B	X	-1.805	-1.805	0 %100
112	MP5B	Z	-3.127	-3.127	0 %100
113	OVP2	X	-1.589	-1.589	0 %100
114	OVP2	Z	-2.753	-2.753	0 %100
115	M126	X	-1.679	-1.679	0 %100
116	M126	Z	-2.908	-2.908	0 %100
117	MP2B	X	-1.805	-1.805	0 %100
118	MP2B	Z	-3.127	-3.127	0 %100
119	M136	X	-1.142	-1.142	0 %100
120	M136	Z	-1.978	-1.978	0 %100
121	M137	X	0	0	0 %100
122	M137	Z	0	0	0 %100
123	M138	X	-1.142	-1.142	0 %100
124	M138	Z	-1.978	-1.978	0 %100
125	M140	X	-1.239	-1.239	0 %100
126	M140	Z	-2.147	-2.147	0 %100
127	M142	X	-2.053	-2.053	0 %100
128	M142	Z	-3.556	-3.556	0 %100
129	M144	X	-1.239	-1.239	0 %100
130	M144	Z	-2.147	-2.147	0 %100

Member Distributed Loads (BLC 65 : Structure Wm (0 Deg))

	Member Label	Direction	Start Magnitude[lb/ft....	End Magnitude[lb/ft....	Start Location[ft,%]	End Location[ft,%]
1	M25	X	0	0	0	%100
2	M25	Z	0	0	0	%100
3	M26	X	0	0	0	%100
4	M26	Z	-0.881	-0.881	0	%100
5	M27	X	0	0	0	%100
6	M27	Z	-0.881	-0.881	0	%100
7	M28	X	0	0	0	%100
8	M28	Z	-1.425	-1.425	0	%100
9	M31	X	0	0	0	%100
10	M31	Z	-0.198	-0.198	0	%100
11	M32	X	0	0	0	%100
12	M32	Z	-0.198	-0.198	0	%100
13	M36	X	0	0	0	%100
14	M36	Z	0	0	0	%100
15	M37	X	0	0	0	%100
16	M37	Z	-0.363	-0.363	0	%100
17	M39	X	0	0	0	%100
18	M39	Z	-0.382	-0.382	0	%100
19	M41	X	0	0	0	%100
20	M41	Z	0	0	0	%100
21	M42	X	0	0	0	%100
22	M42	Z	-0.363	-0.363	0	%100
23	M44	X	0	0	0	%100
24	M44	Z	-0.382	-0.382	0	%100
25	FACE	X	0	0	0	%100
26	FACE	Z	-0.831	-0.831	0	%100
27	MP1A	X	0	0	0	%100
28	MP1A	Z	-0.564	-0.564	0	%100
29	MP3A	X	0	0	0	%100
30	MP3A	Z	-0.564	-0.564	0	%100
31	MP4A	X	0	0	0	%100
32	MP4A	Z	-0.564	-0.564	0	%100
33	MP5A	X	0	0	0	%100
34	MP5A	Z	-0.564	-0.564	0	%100
35	OVP1	X	0	0	0	%100
36	OVP1	Z	-0.514	-0.514	0	%100
37	M40A	X	0	0	0	%100
38	M40A	Z	-0.831	-0.831	0	%100
39	MP2A	X	0	0	0	%100
40	MP2A	Z	-0.564	-0.564	0	%100
41	M44A	X	0	0	0	%100
42	M44A	Z	-0.633	-0.633	0	%100
43	M45A	X	0	0	0	%100
44	M45A	Z	-0.22	-0.22	0	%100
45	M46A	X	0	0	0	%100
46	M46A	Z	-0.22	-0.22	0	%100
47	M47A	X	0	0	0	%100
48	M47A	Z	-0.356	-0.356	0	%100
49	M50	X	0	0	0	%100
50	M50	Z	-0.198	-0.198	0	%100
51	M51	X	0	0	0	%100
52	M51	Z	-0.791	-0.791	0	%100
53	M55	X	0	0	0	%100
54	M55	Z	-1.069	-1.069	0	%100
55	M56	X	0	0	0	%100
56	M56	Z	-0.363	-0.363	0	%100
57	M58	X	0	0	0	%100
58	M58	Z	-0.382	-0.382	0	%100
59	M60	X	0	0	0	%100

Member Distributed Loads (BLC 65 : Structure Wm (0 Deg)) (Continued)

Member Label	Direction	Start Magnitude[lb/ft....]	End Magnitude[lb/ft....]	Start Location[ft.%]	End Location[ft.%]
60	M60	Z	-1.069	-1.069	0 %100
61	M61	X	0	0	0 %100
62	M61	Z	-1.451	-1.451	0 %100
63	M63	X	0	0	0 %100
64	M63	Z	-1.529	-1.529	0 %100
65	M68	X	0	0	0 %100
66	M68	Z	-.208	-.208	0 %100
67	MP1C	X	0	0	0 %100
68	MP1C	Z	-.564	-.564	0 %100
69	MP3C	X	0	0	0 %100
70	MP3C	Z	-.564	-.564	0 %100
71	MP4C	X	0	0	0 %100
72	MP4C	Z	-.564	-.564	0 %100
73	MP5C	X	0	0	0 %100
74	MP5C	Z	-.564	-.564	0 %100
75	M83	X	0	0	0 %100
76	M83	Z	-.208	-.208	0 %100
77	MP2C	X	0	0	0 %100
78	MP2C	Z	-.564	-.564	0 %100
79	M87	X	0	0	0 %100
80	M87	Z	-.633	-.633	0 %100
81	M88	X	0	0	0 %100
82	M88	Z	-.22	-.22	0 %100
83	M89	X	0	0	0 %100
84	M89	Z	-.22	-.22	0 %100
85	M90	X	0	0	0 %100
86	M90	Z	-.356	-.356	0 %100
87	M93	X	0	0	0 %100
88	M93	Z	-.791	-.791	0 %100
89	M94	X	0	0	0 %100
90	M94	Z	-.198	-.198	0 %100
91	M98	X	0	0	0 %100
92	M98	Z	-1.069	-1.069	0 %100
93	M99	X	0	0	0 %100
94	M99	Z	-1.451	-1.451	0 %100
95	M101A	X	0	0	0 %100
96	M101A	Z	-1.529	-1.529	0 %100
97	M103	X	0	0	0 %100
98	M103	Z	-1.069	-1.069	0 %100
99	M104	X	0	0	0 %100
100	M104	Z	-.363	-.363	0 %100
101	M106	X	0	0	0 %100
102	M106	Z	-.382	-.382	0 %100
103	M111	X	0	0	0 %100
104	M111	Z	-.208	-.208	0 %100
105	MP1B	X	0	0	0 %100
106	MP1B	Z	-.564	-.564	0 %100
107	MP3B	X	0	0	0 %100
108	MP3B	Z	-.564	-.564	0 %100
109	MP4B	X	0	0	0 %100
110	MP4B	Z	-.564	-.564	0 %100
111	MP5B	X	0	0	0 %100
112	MP5B	Z	-.564	-.564	0 %100
113	OVP2	X	0	0	0 %100
114	OVP2	Z	-.514	-.514	0 %100
115	M126	X	0	0	0 %100
116	M126	Z	-.208	-.208	0 %100
117	MP2B	X	0	0	0 %100
118	MP2B	Z	-.564	-.564	0 %100

Member Distributed Loads (BLC 65 : Structure Wm (0 Deg)) (Continued)

	Member Label	Direction	Start Magnitude[lb/ft....	End Magnitude[lb/ft....	Start Location[ft.%]	End Location[ft.%]
119	M136	X	0	0	0	%100
120	M136	Z	-.631	-.631	0	%100
121	M137	X	0	0	0	%100
122	M137	Z	-.158	-.158	0	%100
123	M138	X	0	0	0	%100
124	M138	Z	-.158	-.158	0	%100
125	M140	X	0	0	0	%100
126	M140	Z	-.498	-.498	0	%100
127	M142	X	0	0	0	%100
128	M142	Z	-.774	-.774	0	%100
129	M144	X	0	0	0	%100
130	M144	Z	-.774	-.774	0	%100

Member Distributed Loads (BLC 66 : Structure Wm (30 Deg))

	Member Label	Direction	Start Magnitude[lb/ft....	End Magnitude[lb/ft....	Start Location[ft.%]	End Location[ft.%]
1	M25	X	.105	.105	0	%100
2	M25	Z	-.183	-.183	0	%100
3	M26	X	.33	.33	0	%100
4	M26	Z	-.572	-.572	0	%100
5	M27	X	.33	.33	0	%100
6	M27	Z	-.572	-.572	0	%100
7	M28	X	.534	.534	0	%100
8	M28	Z	-.926	-.926	0	%100
9	M31	X	.297	.297	0	%100
10	M31	Z	-.514	-.514	0	%100
11	M32	X	0	0	0	%100
12	M32	Z	0	0	0	%100
13	M36	X	.178	.178	0	%100
14	M36	Z	-.309	-.309	0	%100
15	M37	X	.544	.544	0	%100
16	M37	Z	-.943	-.943	0	%100
17	M39	X	.573	.573	0	%100
18	M39	Z	-.993	-.993	0	%100
19	M41	X	.178	.178	0	%100
20	M41	Z	-.309	-.309	0	%100
21	M42	X	0	0	0	%100
22	M42	Z	0	0	0	%100
23	M44	X	0	0	0	%100
24	M44	Z	0	0	0	%100
25	FACE	X	.312	.312	0	%100
26	FACE	Z	-.54	-.54	0	%100
27	MP1A	X	.282	.282	0	%100
28	MP1A	Z	-.489	-.489	0	%100
29	MP3A	X	.282	.282	0	%100
30	MP3A	Z	-.489	-.489	0	%100
31	MP4A	X	.282	.282	0	%100
32	MP4A	Z	-.489	-.489	0	%100
33	MP5A	X	.282	.282	0	%100
34	MP5A	Z	-.489	-.489	0	%100
35	OVP1	X	.257	.257	0	%100
36	OVP1	Z	-.445	-.445	0	%100
37	M40A	X	.312	.312	0	%100
38	M40A	Z	-.54	-.54	0	%100
39	MP2A	X	.282	.282	0	%100
40	MP2A	Z	-.489	-.489	0	%100
41	M44A	X	.106	.106	0	%100
42	M44A	Z	-.183	-.183	0	%100
43	M45A	X	.33	.33	0	%100

Member Distributed Loads (BLC 66 : Structure Wm (30 Deg)) (Continued)

Member Label	Direction	Start Magnitude[lb/ft....]	End Magnitude[lb/ft....]	Start Location[ft.%]	End Location[ft.%]
44	M45A	Z	-.572	-.572	0 %100
45	M46A	X	.33	.33	0 %100
46	M46A	Z	-.572	-.572	0 %100
47	M47A	X	.534	.534	0 %100
48	M47A	Z	-.926	-.926	0 %100
49	M50	X	0	0	0 %100
50	M50	Z	0	0	0 %100
51	M51	X	.297	.297	0 %100
52	M51	Z	-.514	-.514	0 %100
53	M55	X	.178	.178	0 %100
54	M55	Z	-.309	-.309	0 %100
55	M56	X	0	0	0 %100
56	M56	Z	0	0	0 %100
57	M58	X	0	0	0 %100
58	M58	Z	0	0	0 %100
59	M60	X	.178	.178	0 %100
60	M60	Z	-.309	-.309	0 %100
61	M61	X	.544	.544	0 %100
62	M61	Z	-.943	-.943	0 %100
63	M63	X	.573	.573	0 %100
64	M63	Z	-.993	-.993	0 %100
65	M68	X	.312	.312	0 %100
66	M68	Z	-.54	-.54	0 %100
67	MP1C	X	.282	.282	0 %100
68	MP1C	Z	-.489	-.489	0 %100
69	MP3C	X	.282	.282	0 %100
70	MP3C	Z	-.489	-.489	0 %100
71	MP4C	X	.282	.282	0 %100
72	MP4C	Z	-.489	-.489	0 %100
73	MP5C	X	.282	.282	0 %100
74	MP5C	Z	-.489	-.489	0 %100
75	M83	X	.312	.312	0 %100
76	M83	Z	-.54	-.54	0 %100
77	MP2C	X	.282	.282	0 %100
78	MP2C	Z	-.489	-.489	0 %100
79	M87	X	.422	.422	0 %100
80	M87	Z	-.731	-.731	0 %100
81	M88	X	0	0	0 %100
82	M88	Z	0	0	0 %100
83	M89	X	0	0	0 %100
84	M89	Z	0	0	0 %100
85	M90	X	0	0	0 %100
86	M90	Z	0	0	0 %100
87	M93	X	.297	.297	0 %100
88	M93	Z	-.514	-.514	0 %100
89	M94	X	.297	.297	0 %100
90	M94	Z	-.514	-.514	0 %100
91	M98	X	.713	.713	0 %100
92	M98	Z	-1.234	-1.234	0 %100
93	M99	X	.544	.544	0 %100
94	M99	Z	-.943	-.943	0 %100
95	M101A	X	.573	.573	0 %100
96	M101A	Z	-.993	-.993	0 %100
97	M103	X	.713	.713	0 %100
98	M103	Z	-1.234	-1.234	0 %100
99	M104	X	.544	.544	0 %100
100	M104	Z	-.943	-.943	0 %100
101	M106	X	.573	.573	0 %100
102	M106	Z	-.993	-.993	0 %100

Member Distributed Loads (BLC 66 : Structure Wm (30 Deg)) (Continued)

	Member Label	Direction	Start Magnitude[lb/ft....	End Magnitude[lb/ft....	Start Location[ft.%]	End Location[ft.%]
103	M111	X	0	0	0	%100
104	M111	Z	0	0	0	%100
105	MP1B	X	.282	.282	0	%100
106	MP1B	Z	-.489	-.489	0	%100
107	MP3B	X	.282	.282	0	%100
108	MP3B	Z	-.489	-.489	0	%100
109	MP4B	X	.282	.282	0	%100
110	MP4B	Z	-.489	-.489	0	%100
111	MP5B	X	.282	.282	0	%100
112	MP5B	Z	-.489	-.489	0	%100
113	OVP2	X	.257	.257	0	%100
114	OVP2	Z	-.445	-.445	0	%100
115	M126	X	0	0	0	%100
116	M126	Z	0	0	0	%100
117	MP2B	X	.282	.282	0	%100
118	MP2B	Z	-.489	-.489	0	%100
119	M136	X	.237	.237	0	%100
120	M136	Z	-.41	-.41	0	%100
121	M137	X	.237	.237	0	%100
122	M137	Z	-.41	-.41	0	%100
123	M138	X	0	0	0	%100
124	M138	Z	0	0	0	%100
125	M140	X	.295	.295	0	%100
126	M140	Z	-.511	-.511	0	%100
127	M142	X	.295	.295	0	%100
128	M142	Z	-.511	-.511	0	%100
129	M144	X	.433	.433	0	%100
130	M144	Z	-.75	-.75	0	%100

Member Distributed Loads (BLC 67 : Structure Wm (60 Deg))

	Member Label	Direction	Start Magnitude[lb/ft....	End Magnitude[lb/ft....	Start Location[ft.%]	End Location[ft.%]
1	M25	X	.548	.548	0	%100
2	M25	Z	-.316	-.316	0	%100
3	M26	X	.191	.191	0	%100
4	M26	Z	-.11	-.11	0	%100
5	M27	X	.191	.191	0	%100
6	M27	Z	-.11	-.11	0	%100
7	M28	X	.309	.309	0	%100
8	M28	Z	-.178	-.178	0	%100
9	M31	X	.685	.685	0	%100
10	M31	Z	-.396	-.396	0	%100
11	M32	X	.171	.171	0	%100
12	M32	Z	-.099	-.099	0	%100
13	M36	X	.926	.926	0	%100
14	M36	Z	-.534	-.534	0	%100
15	M37	X	1.257	1.257	0	%100
16	M37	Z	-.726	-.726	0	%100
17	M39	X	1.324	1.324	0	%100
18	M39	Z	-.764	-.764	0	%100
19	M41	X	.926	.926	0	%100
20	M41	Z	-.534	-.534	0	%100
21	M42	X	.314	.314	0	%100
22	M42	Z	-.181	-.181	0	%100
23	M44	X	.331	.331	0	%100
24	M44	Z	-.191	-.191	0	%100
25	FACE	X	.18	.18	0	%100
26	FACE	Z	-.104	-.104	0	%100
27	MP1A	X	.489	.489	0	%100

Member Distributed Loads (BLC 67 : Structure Wm (60 Deg)) (Continued)

Member Label	Direction	Start Magnitude[lb/ft....]	End Magnitude[lb/ft....]	Start Location[ft.%]	End Location[ft.%]
28	MP1A	Z	-.282	-.282	0 %100
29	MP3A	X	.489	.489	0 %100
30	MP3A	Z	-.282	-.282	0 %100
31	MP4A	X	.489	.489	0 %100
32	MP4A	Z	-.282	-.282	0 %100
33	MP5A	X	.489	.489	0 %100
34	MP5A	Z	-.282	-.282	0 %100
35	OVP1	X	.445	.445	0 %100
36	OVP1	Z	-.257	-.257	0 %100
37	M40A	X	.18	.18	0 %100
38	M40A	Z	-.104	-.104	0 %100
39	MP2A	X	.489	.489	0 %100
40	MP2A	Z	-.282	-.282	0 %100
41	M44A	X	0	0	0 %100
42	M44A	Z	0	0	0 %100
43	M45A	X	.763	.763	0 %100
44	M45A	Z	-.44	-.44	0 %100
45	M46A	X	.763	.763	0 %100
46	M46A	Z	-.44	-.44	0 %100
47	M47A	X	1.234	1.234	0 %100
48	M47A	Z	-.713	-.713	0 %100
49	M50	X	.171	.171	0 %100
50	M50	Z	-.099	-.099	0 %100
51	M51	X	.171	.171	0 %100
52	M51	Z	-.099	-.099	0 %100
53	M55	X	0	0	0 %100
54	M55	Z	0	0	0 %100
55	M56	X	.314	.314	0 %100
56	M56	Z	-.181	-.181	0 %100
57	M58	X	.331	.331	0 %100
58	M58	Z	-.191	-.191	0 %100
59	M60	X	0	0	0 %100
60	M60	Z	0	0	0 %100
61	M61	X	.314	.314	0 %100
62	M61	Z	-.181	-.181	0 %100
63	M63	X	.331	.331	0 %100
64	M63	Z	-.191	-.191	0 %100
65	M68	X	.72	.72	0 %100
66	M68	Z	-.416	-.416	0 %100
67	MP1C	X	.489	.489	0 %100
68	MP1C	Z	-.282	-.282	0 %100
69	MP3C	X	.489	.489	0 %100
70	MP3C	Z	-.282	-.282	0 %100
71	MP4C	X	.489	.489	0 %100
72	MP4C	Z	-.282	-.282	0 %100
73	MP5C	X	.489	.489	0 %100
74	MP5C	Z	-.282	-.282	0 %100
75	M83	X	.72	.72	0 %100
76	M83	Z	-.416	-.416	0 %100
77	MP2C	X	.489	.489	0 %100
78	MP2C	Z	-.282	-.282	0 %100
79	M87	X	.548	.548	0 %100
80	M87	Z	-.317	-.317	0 %100
81	M88	X	.191	.191	0 %100
82	M88	Z	-.11	-.11	0 %100
83	M89	X	.191	.191	0 %100
84	M89	Z	-.11	-.11	0 %100
85	M90	X	.309	.309	0 %100
86	M90	Z	-.178	-.178	0 %100

Member Distributed Loads (BLC 67 : Structure Wm (60 Deg)) (Continued)

	Member Label	Direction	Start Magnitude[lb/ft....	End Magnitude[lb/ft....	Start Location[ft.%,]	End Location[ft.%,]
87	M93	X	.171	.171	0	%100
88	M93	Z	-.099	-.099	0	%100
89	M94	X	.685	.685	0	%100
90	M94	Z	-.396	-.396	0	%100
91	M98	X	.926	.926	0	%100
92	M98	Z	-.534	-.534	0	%100
93	M99	X	.314	.314	0	%100
94	M99	Z	-.181	-.181	0	%100
95	M101A	X	.331	.331	0	%100
96	M101A	Z	-.191	-.191	0	%100
97	M103	X	.926	.926	0	%100
98	M103	Z	-.534	-.534	0	%100
99	M104	X	1.257	1.257	0	%100
100	M104	Z	-.726	-.726	0	%100
101	M106	X	1.324	1.324	0	%100
102	M106	Z	-.764	-.764	0	%100
103	M111	X	.18	.18	0	%100
104	M111	Z	-.104	-.104	0	%100
105	MP1B	X	.489	.489	0	%100
106	MP1B	Z	-.282	-.282	0	%100
107	MP3B	X	.489	.489	0	%100
108	MP3B	Z	-.282	-.282	0	%100
109	MP4B	X	.489	.489	0	%100
110	MP4B	Z	-.282	-.282	0	%100
111	MP5B	X	.489	.489	0	%100
112	MP5B	Z	-.282	-.282	0	%100
113	OVP2	X	.445	.445	0	%100
114	OVP2	Z	-.257	-.257	0	%100
115	M126	X	.18	.18	0	%100
116	M126	Z	-.104	-.104	0	%100
117	MP2B	X	.489	.489	0	%100
118	MP2B	Z	-.282	-.282	0	%100
119	M136	X	.137	.137	0	%100
120	M136	Z	-.079	-.079	0	%100
121	M137	X	.547	.547	0	%100
122	M137	Z	-.316	-.316	0	%100
123	M138	X	.137	.137	0	%100
124	M138	Z	-.079	-.079	0	%100
125	M140	X	.671	.671	0	%100
126	M140	Z	-.387	-.387	0	%100
127	M142	X	.431	.431	0	%100
128	M142	Z	-.249	-.249	0	%100
129	M144	X	.671	.671	0	%100
130	M144	Z	-.387	-.387	0	%100

Member Distributed Loads (BLC 68 : Structure Wm (90 Deg))

	Member Label	Direction	Start Magnitude[lb/ft....	End Magnitude[lb/ft....	Start Location[ft.%,]	End Location[ft.%,]
1	M25	X	.843	.843	0	%100
2	M25	Z	0	0	0	%100
3	M26	X	0	0	0	%100
4	M26	Z	0	0	0	%100
5	M27	X	0	0	0	%100
6	M27	Z	0	0	0	%100
7	M28	X	0	0	0	%100
8	M28	Z	0	0	0	%100
9	M31	X	.593	.593	0	%100
10	M31	Z	0	0	0	%100
11	M32	X	.593	.593	0	%100

Member Distributed Loads (BLC 68 : Structure Wm (90 Deg)) (Continued)

Member Label	Direction	Start Magnitude[lb/ft....]	End Magnitude[lb/ft....]	Start Location[ft.%]	End Location[ft.%]
12	M32	Z	0	0	%100
13	M36	X	1.425	1.425	%100
14	M36	Z	0	0	%100
15	M37	X	1.089	1.089	%100
16	M37	Z	0	0	%100
17	M39	X	1.147	1.147	%100
18	M39	Z	0	0	%100
19	M41	X	1.425	1.425	%100
20	M41	Z	0	0	%100
21	M42	X	1.089	1.089	%100
22	M42	Z	0	0	%100
23	M44	X	1.147	1.147	%100
24	M44	Z	0	0	%100
25	FACE	X	0	0	%100
26	FACE	Z	0	0	%100
27	MP1A	X	.564	.564	%100
28	MP1A	Z	0	0	%100
29	MP3A	X	.564	.564	%100
30	MP3A	Z	0	0	%100
31	MP4A	X	.564	.564	%100
32	MP4A	Z	0	0	%100
33	MP5A	X	.564	.564	%100
34	MP5A	Z	0	0	%100
35	OVP1	X	.514	.514	%100
36	OVP1	Z	0	0	%100
37	M40A	X	0	0	%100
38	M40A	Z	0	0	%100
39	MP2A	X	.564	.564	%100
40	MP2A	Z	0	0	%100
41	M44A	X	.211	.211	%100
42	M44A	Z	0	0	%100
43	M45A	X	.661	.661	%100
44	M45A	Z	0	0	%100
45	M46A	X	.661	.661	%100
46	M46A	Z	0	0	%100
47	M47A	X	1.069	1.069	%100
48	M47A	Z	0	0	%100
49	M50	X	.593	.593	%100
50	M50	Z	0	0	%100
51	M51	X	0	0	%100
52	M51	Z	0	0	%100
53	M55	X	.356	.356	%100
54	M55	Z	0	0	%100
55	M56	X	1.089	1.089	%100
56	M56	Z	0	0	%100
57	M58	X	1.147	1.147	%100
58	M58	Z	0	0	%100
59	M60	X	.356	.356	%100
60	M60	Z	0	0	%100
61	M61	X	0	0	%100
62	M61	Z	0	0	%100
63	M63	X	0	0	%100
64	M63	Z	0	0	%100
65	M68	X	.623	.623	%100
66	M68	Z	0	0	%100
67	MP1C	X	.564	.564	%100
68	MP1C	Z	0	0	%100
69	MP3C	X	.564	.564	%100
70	MP3C	Z	0	0	%100

Member Distributed Loads (BLC 68 : Structure Wm (90 Deg)) (Continued)

Member Label	Direction	Start Magnitude[lb/ft....	End Magnitude[lb/ft....	Start Location[ft.%]	End Location[ft.%]
71	MP4C	X	.564	.564	0 %100
72	MP4C	Z	0	0	0 %100
73	MP5C	X	.564	.564	0 %100
74	MP5C	Z	0	0	0 %100
75	M83	X	.623	.623	0 %100
76	M83	Z	0	0	0 %100
77	MP2C	X	.564	.564	0 %100
78	MP2C	Z	0	0	0 %100
79	M87	X	.211	.211	0 %100
80	M87	Z	0	0	0 %100
81	M88	X	.661	.661	0 %100
82	M88	Z	0	0	0 %100
83	M89	X	.661	.661	0 %100
84	M89	Z	0	0	0 %100
85	M90	X	1.069	1.069	0 %100
86	M90	Z	0	0	0 %100
87	M93	X	0	0	0 %100
88	M93	Z	0	0	0 %100
89	M94	X	.593	.593	0 %100
90	M94	Z	0	0	0 %100
91	M98	X	.356	.356	0 %100
92	M98	Z	0	0	0 %100
93	M99	X	0	0	0 %100
94	M99	Z	0	0	0 %100
95	M101A	X	0	0	0 %100
96	M101A	Z	0	0	0 %100
97	M103	X	.356	.356	0 %100
98	M103	Z	0	0	0 %100
99	M104	X	1.089	1.089	0 %100
100	M104	Z	0	0	0 %100
101	M106	X	1.147	1.147	0 %100
102	M106	Z	0	0	0 %100
103	M111	X	.623	.623	0 %100
104	M111	Z	0	0	0 %100
105	MP1B	X	.564	.564	0 %100
106	MP1B	Z	0	0	0 %100
107	MP3B	X	.564	.564	0 %100
108	MP3B	Z	0	0	0 %100
109	MP4B	X	.564	.564	0 %100
110	MP4B	Z	0	0	0 %100
111	MP5B	X	.564	.564	0 %100
112	MP5B	Z	0	0	0 %100
113	OVP2	X	.514	.514	0 %100
114	OVP2	Z	0	0	0 %100
115	M126	X	.623	.623	0 %100
116	M126	Z	0	0	0 %100
117	MP2B	X	.564	.564	0 %100
118	MP2B	Z	0	0	0 %100
119	M136	X	0	0	0 %100
120	M136	Z	0	0	0 %100
121	M137	X	.473	.473	0 %100
122	M137	Z	0	0	0 %100
123	M138	X	.473	.473	0 %100
124	M138	Z	0	0	0 %100
125	M140	X	.866	.866	0 %100
126	M140	Z	0	0	0 %100
127	M142	X	.59	.59	0 %100
128	M142	Z	0	0	0 %100
129	M144	X	.59	.59	0 %100

Member Distributed Loads (BLC 68 : Structure Wm (90 Deg)) (Continued)

Member Label	Direction	Start Magnitude[lb/ft....]	End Magnitude[lb/ft....]	Start Location[ft.%]	End Location[ft.%]
130	M144	Z	0	0	%100

Member Distributed Loads (BLC 69 : Structure Wm (120 Deg))

Member Label	Direction	Start Magnitude[lb/ft....]	End Magnitude[lb/ft....]	Start Location[ft.%]	End Location[ft.%]	
1	M25	X	.548	.548	0	%100
2	M25	Z	.316	.316	0	%100
3	M26	X	.191	.191	0	%100
4	M26	Z	.11	.11	0	%100
5	M27	X	.191	.191	0	%100
6	M27	Z	.11	.11	0	%100
7	M28	X	.309	.309	0	%100
8	M28	Z	.178	.178	0	%100
9	M31	X	.171	.171	0	%100
10	M31	Z	.099	.099	0	%100
11	M32	X	.685	.685	0	%100
12	M32	Z	.396	.396	0	%100
13	M36	X	.926	.926	0	%100
14	M36	Z	.534	.534	0	%100
15	M37	X	.314	.314	0	%100
16	M37	Z	.181	.181	0	%100
17	M39	X	.331	.331	0	%100
18	M39	Z	.191	.191	0	%100
19	M41	X	.926	.926	0	%100
20	M41	Z	.534	.534	0	%100
21	M42	X	1.257	1.257	0	%100
22	M42	Z	.726	.726	0	%100
23	M44	X	1.324	1.324	0	%100
24	M44	Z	.764	.764	0	%100
25	FACE	X	.18	.18	0	%100
26	FACE	Z	.104	.104	0	%100
27	MP1A	X	.489	.489	0	%100
28	MP1A	Z	.282	.282	0	%100
29	MP3A	X	.489	.489	0	%100
30	MP3A	Z	.282	.282	0	%100
31	MP4A	X	.489	.489	0	%100
32	MP4A	Z	.282	.282	0	%100
33	MP5A	X	.489	.489	0	%100
34	MP5A	Z	.282	.282	0	%100
35	OVP1	X	.445	.445	0	%100
36	OVP1	Z	.257	.257	0	%100
37	M40A	X	.18	.18	0	%100
38	M40A	Z	.104	.104	0	%100
39	MP2A	X	.489	.489	0	%100
40	MP2A	Z	.282	.282	0	%100
41	M44A	X	.548	.548	0	%100
42	M44A	Z	.317	.317	0	%100
43	M45A	X	.191	.191	0	%100
44	M45A	Z	.11	.11	0	%100
45	M46A	X	.191	.191	0	%100
46	M46A	Z	.11	.11	0	%100
47	M47A	X	.309	.309	0	%100
48	M47A	Z	.178	.178	0	%100
49	M50	X	.685	.685	0	%100
50	M50	Z	.396	.396	0	%100
51	M51	X	.171	.171	0	%100
52	M51	Z	.099	.099	0	%100
53	M55	X	.926	.926	0	%100
54	M55	Z	.534	.534	0	%100

Member Distributed Loads (BLC 69 : Structure Wm (120 Deg)) (Continued)

Member Label	Direction	Start Magnitude[lb/ft....	End Magnitude[lb/ft....	Start Location[ft.%]	End Location[ft.%]
55	M56	X	1.257	1.257	0 %100
56	M56	Z	.726	.726	0 %100
57	M58	X	1.324	1.324	0 %100
58	M58	Z	.764	.764	0 %100
59	M60	X	.926	.926	0 %100
60	M60	Z	.534	.534	0 %100
61	M61	X	.314	.314	0 %100
62	M61	Z	.181	.181	0 %100
63	M63	X	.331	.331	0 %100
64	M63	Z	.191	.191	0 %100
65	M68	X	.18	.18	0 %100
66	M68	Z	.104	.104	0 %100
67	MP1C	X	.489	.489	0 %100
68	MP1C	Z	.282	.282	0 %100
69	MP3C	X	.489	.489	0 %100
70	MP3C	Z	.282	.282	0 %100
71	MP4C	X	.489	.489	0 %100
72	MP4C	Z	.282	.282	0 %100
73	MP5C	X	.489	.489	0 %100
74	MP5C	Z	.282	.282	0 %100
75	M83	X	.18	.18	0 %100
76	M83	Z	.104	.104	0 %100
77	MP2C	X	.489	.489	0 %100
78	MP2C	Z	.282	.282	0 %100
79	M87	X	0	0	0 %100
80	M87	Z	0	0	0 %100
81	M88	X	.763	.763	0 %100
82	M88	Z	.44	.44	0 %100
83	M89	X	.763	.763	0 %100
84	M89	Z	.44	.44	0 %100
85	M90	X	1.234	1.234	0 %100
86	M90	Z	.713	.713	0 %100
87	M93	X	.171	.171	0 %100
88	M93	Z	.099	.099	0 %100
89	M94	X	.171	.171	0 %100
90	M94	Z	.099	.099	0 %100
91	M98	X	0	0	0 %100
92	M98	Z	0	0	0 %100
93	M99	X	.314	.314	0 %100
94	M99	Z	.181	.181	0 %100
95	M101A	X	.331	.331	0 %100
96	M101A	Z	.191	.191	0 %100
97	M103	X	0	0	0 %100
98	M103	Z	0	0	0 %100
99	M104	X	.314	.314	0 %100
100	M104	Z	.181	.181	0 %100
101	M106	X	.331	.331	0 %100
102	M106	Z	.191	.191	0 %100
103	M111	X	.72	.72	0 %100
104	M111	Z	.416	.416	0 %100
105	MP1B	X	.489	.489	0 %100
106	MP1B	Z	.282	.282	0 %100
107	MP3B	X	.489	.489	0 %100
108	MP3B	Z	.282	.282	0 %100
109	MP4B	X	.489	.489	0 %100
110	MP4B	Z	.282	.282	0 %100
111	MP5B	X	.489	.489	0 %100
112	MP5B	Z	.282	.282	0 %100
113	OVP2	X	.445	.445	0 %100

Member Distributed Loads (BLC 69 : Structure Wm (120 Deg)) (Continued)

	Member Label	Direction	Start Magnitude[lb/ft....]	End Magnitude[lb/ft....]	Start Location[ft.%]	End Location[ft.%]
114	OVP2	Z	.257	.257	0	%100
115	M126	X	.72	.72	0	%100
116	M126	Z	.416	.416	0	%100
117	MP2B	X	.489	.489	0	%100
118	MP2B	Z	.282	.282	0	%100
119	M136	X	.137	.137	0	%100
120	M136	Z	.079	.079	0	%100
121	M137	X	.137	.137	0	%100
122	M137	Z	.079	.079	0	%100
123	M138	X	.547	.547	0	%100
124	M138	Z	.316	.316	0	%100
125	M140	X	.671	.671	0	%100
126	M140	Z	.387	.387	0	%100
127	M142	X	.671	.671	0	%100
128	M142	Z	.387	.387	0	%100
129	M144	X	.431	.431	0	%100
130	M144	Z	.249	.249	0	%100

Member Distributed Loads (BLC 70 : Structure Wm (150 Deg))

	Member Label	Direction	Start Magnitude[lb/ft....]	End Magnitude[lb/ft....]	Start Location[ft.%]	End Location[ft.%]
1	M25	X	.105	.105	0	%100
2	M25	Z	.183	.183	0	%100
3	M26	X	.33	.33	0	%100
4	M26	Z	.572	.572	0	%100
5	M27	X	.33	.33	0	%100
6	M27	Z	.572	.572	0	%100
7	M28	X	.534	.534	0	%100
8	M28	Z	.926	.926	0	%100
9	M31	X	0	0	0	%100
10	M31	Z	0	0	0	%100
11	M32	X	.297	.297	0	%100
12	M32	Z	.514	.514	0	%100
13	M36	X	.178	.178	0	%100
14	M36	Z	.309	.309	0	%100
15	M37	X	0	0	0	%100
16	M37	Z	0	0	0	%100
17	M39	X	0	0	0	%100
18	M39	Z	0	0	0	%100
19	M41	X	.178	.178	0	%100
20	M41	Z	.309	.309	0	%100
21	M42	X	.544	.544	0	%100
22	M42	Z	.943	.943	0	%100
23	M44	X	.573	.573	0	%100
24	M44	Z	.993	.993	0	%100
25	FACE	X	.312	.312	0	%100
26	FACE	Z	.54	.54	0	%100
27	MP1A	X	.282	.282	0	%100
28	MP1A	Z	.489	.489	0	%100
29	MP3A	X	.282	.282	0	%100
30	MP3A	Z	.489	.489	0	%100
31	MP4A	X	.282	.282	0	%100
32	MP4A	Z	.489	.489	0	%100
33	MP5A	X	.282	.282	0	%100
34	MP5A	Z	.489	.489	0	%100
35	OVP1	X	.257	.257	0	%100
36	OVP1	Z	.445	.445	0	%100
37	M40A	X	.312	.312	0	%100
38	M40A	Z	.54	.54	0	%100

Member Distributed Loads (BLC 70 : Structure Wm (150 Deg)) (Continued)

	Member Label	Direction	Start Magnitude[lb/ft....	End Magnitude[lb/ft....	Start Location[ft.%]	End Location[ft.%]
39	MP2A	X	.282	.282	0	%100
40	MP2A	Z	.489	.489	0	%100
41	M44A	X	.422	.422	0	%100
42	M44A	Z	.731	.731	0	%100
43	M45A	X	0	0	0	%100
44	M45A	Z	0	0	0	%100
45	M46A	X	0	0	0	%100
46	M46A	Z	0	0	0	%100
47	M47A	X	0	0	0	%100
48	M47A	Z	0	0	0	%100
49	M50	X	.297	.297	0	%100
50	M50	Z	.514	.514	0	%100
51	M51	X	.297	.297	0	%100
52	M51	Z	.514	.514	0	%100
53	M55	X	.713	.713	0	%100
54	M55	Z	1.234	1.234	0	%100
55	M56	X	.544	.544	0	%100
56	M56	Z	.943	.943	0	%100
57	M58	X	.573	.573	0	%100
58	M58	Z	.993	.993	0	%100
59	M60	X	.713	.713	0	%100
60	M60	Z	1.234	1.234	0	%100
61	M61	X	.544	.544	0	%100
62	M61	Z	.943	.943	0	%100
63	M63	X	.573	.573	0	%100
64	M63	Z	.993	.993	0	%100
65	M68	X	0	0	0	%100
66	M68	Z	0	0	0	%100
67	MP1C	X	.282	.282	0	%100
68	MP1C	Z	.489	.489	0	%100
69	MP3C	X	.282	.282	0	%100
70	MP3C	Z	.489	.489	0	%100
71	MP4C	X	.282	.282	0	%100
72	MP4C	Z	.489	.489	0	%100
73	MP5C	X	.282	.282	0	%100
74	MP5C	Z	.489	.489	0	%100
75	M83	X	0	0	0	%100
76	M83	Z	0	0	0	%100
77	MP2C	X	.282	.282	0	%100
78	MP2C	Z	.489	.489	0	%100
79	M87	X	.106	.106	0	%100
80	M87	Z	.183	.183	0	%100
81	M88	X	.33	.33	0	%100
82	M88	Z	.572	.572	0	%100
83	M89	X	.33	.33	0	%100
84	M89	Z	.572	.572	0	%100
85	M90	X	.534	.534	0	%100
86	M90	Z	.926	.926	0	%100
87	M93	X	.297	.297	0	%100
88	M93	Z	.514	.514	0	%100
89	M94	X	0	0	0	%100
90	M94	Z	0	0	0	%100
91	M98	X	.178	.178	0	%100
92	M98	Z	.309	.309	0	%100
93	M99	X	.544	.544	0	%100
94	M99	Z	.943	.943	0	%100
95	M101A	X	.573	.573	0	%100
96	M101A	Z	.993	.993	0	%100
97	M103	X	.178	.178	0	%100

Member Distributed Loads (BLC 70 : Structure Wm (150 Deg)) (Continued)

	Member Label	Direction	Start Magnitude[lb/ft....	End Magnitude[lb/ft....	Start Location[ft.%]	End Location[ft.%]
98	M103	Z	.309	.309	0	%100
99	M104	X	0	0	0	%100
100	M104	Z	0	0	0	%100
101	M106	X	0	0	0	%100
102	M106	Z	0	0	0	%100
103	M111	X	.312	.312	0	%100
104	M111	Z	.54	.54	0	%100
105	MP1B	X	.282	.282	0	%100
106	MP1B	Z	.489	.489	0	%100
107	MP3B	X	.282	.282	0	%100
108	MP3B	Z	.489	.489	0	%100
109	MP4B	X	.282	.282	0	%100
110	MP4B	Z	.489	.489	0	%100
111	MP5B	X	.282	.282	0	%100
112	MP5B	Z	.489	.489	0	%100
113	OVP2	X	.257	.257	0	%100
114	OVP2	Z	.445	.445	0	%100
115	M126	X	.312	.312	0	%100
116	M126	Z	.54	.54	0	%100
117	MP2B	X	.282	.282	0	%100
118	MP2B	Z	.489	.489	0	%100
119	M136	X	.237	.237	0	%100
120	M136	Z	.41	.41	0	%100
121	M137	X	0	0	0	%100
122	M137	Z	0	0	0	%100
123	M138	X	.237	.237	0	%100
124	M138	Z	.41	.41	0	%100
125	M140	X	.295	.295	0	%100
126	M140	Z	.511	.511	0	%100
127	M142	X	.433	.433	0	%100
128	M142	Z	.75	.75	0	%100
129	M144	X	.295	.295	0	%100
130	M144	Z	.511	.511	0	%100

Member Distributed Loads (BLC 71 : Structure Wm (180 Deg))

	Member Label	Direction	Start Magnitude[lb/ft....	End Magnitude[lb/ft....	Start Location[ft.%]	End Location[ft.%]
1	M25	X	0	0	0	%100
2	M25	Z	0	0	0	%100
3	M26	X	0	0	0	%100
4	M26	Z	.881	.881	0	%100
5	M27	X	0	0	0	%100
6	M27	Z	.881	.881	0	%100
7	M28	X	0	0	0	%100
8	M28	Z	1.425	1.425	0	%100
9	M31	X	0	0	0	%100
10	M31	Z	.198	.198	0	%100
11	M32	X	0	0	0	%100
12	M32	Z	.198	.198	0	%100
13	M36	X	0	0	0	%100
14	M36	Z	0	0	0	%100
15	M37	X	0	0	0	%100
16	M37	Z	.363	.363	0	%100
17	M39	X	0	0	0	%100
18	M39	Z	.382	.382	0	%100
19	M41	X	0	0	0	%100
20	M41	Z	0	0	0	%100
21	M42	X	0	0	0	%100
22	M42	Z	.363	.363	0	%100

Member Distributed Loads (BLC 71 : Structure Wm (180 Deg)) (Continued)

Member Label	Direction	Start Magnitude[lb/ft....	End Magnitude[lb/ft....	Start Location[ft.%]	End Location[ft.%]
23	M44	X	0	0	%100
24	M44	Z	.382	.382	%100
25	FACE	X	0	0	%100
26	FACE	Z	.831	.831	%100
27	MP1A	X	0	0	%100
28	MP1A	Z	.564	.564	%100
29	MP3A	X	0	0	%100
30	MP3A	Z	.564	.564	%100
31	MP4A	X	0	0	%100
32	MP4A	Z	.564	.564	%100
33	MP5A	X	0	0	%100
34	MP5A	Z	.564	.564	%100
35	OVP1	X	0	0	%100
36	OVP1	Z	.514	.514	%100
37	M40A	X	0	0	%100
38	M40A	Z	.831	.831	%100
39	MP2A	X	0	0	%100
40	MP2A	Z	.564	.564	%100
41	M44A	X	0	0	%100
42	M44A	Z	.633	.633	%100
43	M45A	X	0	0	%100
44	M45A	Z	.22	.22	%100
45	M46A	X	0	0	%100
46	M46A	Z	.22	.22	%100
47	M47A	X	0	0	%100
48	M47A	Z	.356	.356	%100
49	M50	X	0	0	%100
50	M50	Z	.198	.198	%100
51	M51	X	0	0	%100
52	M51	Z	.791	.791	%100
53	M55	X	0	0	%100
54	M55	Z	1.069	1.069	%100
55	M56	X	0	0	%100
56	M56	Z	.363	.363	%100
57	M58	X	0	0	%100
58	M58	Z	.382	.382	%100
59	M60	X	0	0	%100
60	M60	Z	1.069	1.069	%100
61	M61	X	0	0	%100
62	M61	Z	1.451	1.451	%100
63	M63	X	0	0	%100
64	M63	Z	1.529	1.529	%100
65	M68	X	0	0	%100
66	M68	Z	.208	.208	%100
67	MP1C	X	0	0	%100
68	MP1C	Z	.564	.564	%100
69	MP3C	X	0	0	%100
70	MP3C	Z	.564	.564	%100
71	MP4C	X	0	0	%100
72	MP4C	Z	.564	.564	%100
73	MP5C	X	0	0	%100
74	MP5C	Z	.564	.564	%100
75	M83	X	0	0	%100
76	M83	Z	.208	.208	%100
77	MP2C	X	0	0	%100
78	MP2C	Z	.564	.564	%100
79	M87	X	0	0	%100
80	M87	Z	.633	.633	%100
81	M88	X	0	0	%100

Member Distributed Loads (BLC 71 : Structure Wm (180 Deg)) (Continued)

	Member Label	Direction	Start Magnitude[lb/ft....	End Magnitude[lb/ft....	Start Location[ft.%]	End Location[ft.%]
82	M88	Z	.22	.22	0	%100
83	M89	X	0	0	0	%100
84	M89	Z	.22	.22	0	%100
85	M90	X	0	0	0	%100
86	M90	Z	.356	.356	0	%100
87	M93	X	0	0	0	%100
88	M93	Z	.791	.791	0	%100
89	M94	X	0	0	0	%100
90	M94	Z	.198	.198	0	%100
91	M98	X	0	0	0	%100
92	M98	Z	1.069	1.069	0	%100
93	M99	X	0	0	0	%100
94	M99	Z	1.451	1.451	0	%100
95	M101A	X	0	0	0	%100
96	M101A	Z	1.529	1.529	0	%100
97	M103	X	0	0	0	%100
98	M103	Z	1.069	1.069	0	%100
99	M104	X	0	0	0	%100
100	M104	Z	.363	.363	0	%100
101	M106	X	0	0	0	%100
102	M106	Z	.382	.382	0	%100
103	M111	X	0	0	0	%100
104	M111	Z	.208	.208	0	%100
105	MP1B	X	0	0	0	%100
106	MP1B	Z	.564	.564	0	%100
107	MP3B	X	0	0	0	%100
108	MP3B	Z	.564	.564	0	%100
109	MP4B	X	0	0	0	%100
110	MP4B	Z	.564	.564	0	%100
111	MP5B	X	0	0	0	%100
112	MP5B	Z	.564	.564	0	%100
113	OVP2	X	0	0	0	%100
114	OVP2	Z	.514	.514	0	%100
115	M126	X	0	0	0	%100
116	M126	Z	.208	.208	0	%100
117	MP2B	X	0	0	0	%100
118	MP2B	Z	.564	.564	0	%100
119	M136	X	0	0	0	%100
120	M136	Z	.631	.631	0	%100
121	M137	X	0	0	0	%100
122	M137	Z	.158	.158	0	%100
123	M138	X	0	0	0	%100
124	M138	Z	.158	.158	0	%100
125	M140	X	0	0	0	%100
126	M140	Z	.498	.498	0	%100
127	M142	X	0	0	0	%100
128	M142	Z	.774	.774	0	%100
129	M144	X	0	0	0	%100
130	M144	Z	.774	.774	0	%100

Member Distributed Loads (BLC 72 : Structure Wm (210 Deg))

	Member Label	Direction	Start Magnitude[lb/ft....	End Magnitude[lb/ft....	Start Location[ft.%]	End Location[ft.%]
1	M25	X	-.105	-.105	0	%100
2	M25	Z	.183	.183	0	%100
3	M26	X	-.33	-.33	0	%100
4	M26	Z	.572	.572	0	%100
5	M27	X	-.33	-.33	0	%100
6	M27	Z	.572	.572	0	%100

Member Distributed Loads (BLC 72 : Structure Wm (210 Deg)) (Continued)

	Member Label	Direction	Start Magnitude[lb/ft....	End Magnitude[lb/ft....	Start Location[ft,%]	End Location[ft,%]
7	M28	X	-.534	-.534	0	%100
8	M28	Z	.926	.926	0	%100
9	M31	X	-.297	-.297	0	%100
10	M31	Z	.514	.514	0	%100
11	M32	X	0	0	0	%100
12	M32	Z	0	0	0	%100
13	M36	X	-.178	-.178	0	%100
14	M36	Z	.309	.309	0	%100
15	M37	X	-.544	-.544	0	%100
16	M37	Z	.943	.943	0	%100
17	M39	X	-.573	-.573	0	%100
18	M39	Z	.993	.993	0	%100
19	M41	X	-.178	-.178	0	%100
20	M41	Z	.309	.309	0	%100
21	M42	X	0	0	0	%100
22	M42	Z	0	0	0	%100
23	M44	X	0	0	0	%100
24	M44	Z	0	0	0	%100
25	FACE	X	-.312	-.312	0	%100
26	FACE	Z	.54	.54	0	%100
27	MP1A	X	-.282	-.282	0	%100
28	MP1A	Z	.489	.489	0	%100
29	MP3A	X	-.282	-.282	0	%100
30	MP3A	Z	.489	.489	0	%100
31	MP4A	X	-.282	-.282	0	%100
32	MP4A	Z	.489	.489	0	%100
33	MP5A	X	-.282	-.282	0	%100
34	MP5A	Z	.489	.489	0	%100
35	OVP1	X	-.257	-.257	0	%100
36	OVP1	Z	.445	.445	0	%100
37	M40A	X	-.312	-.312	0	%100
38	M40A	Z	.54	.54	0	%100
39	MP2A	X	-.282	-.282	0	%100
40	MP2A	Z	.489	.489	0	%100
41	M44A	X	-.106	-.106	0	%100
42	M44A	Z	.183	.183	0	%100
43	M45A	X	-.33	-.33	0	%100
44	M45A	Z	.572	.572	0	%100
45	M46A	X	-.33	-.33	0	%100
46	M46A	Z	.572	.572	0	%100
47	M47A	X	-.534	-.534	0	%100
48	M47A	Z	.926	.926	0	%100
49	M50	X	0	0	0	%100
50	M50	Z	0	0	0	%100
51	M51	X	-.297	-.297	0	%100
52	M51	Z	.514	.514	0	%100
53	M55	X	-.178	-.178	0	%100
54	M55	Z	.309	.309	0	%100
55	M56	X	0	0	0	%100
56	M56	Z	0	0	0	%100
57	M58	X	0	0	0	%100
58	M58	Z	0	0	0	%100
59	M60	X	-.178	-.178	0	%100
60	M60	Z	.309	.309	0	%100
61	M61	X	-.544	-.544	0	%100
62	M61	Z	.943	.943	0	%100
63	M63	X	-.573	-.573	0	%100
64	M63	Z	.993	.993	0	%100
65	M68	X	-.312	-.312	0	%100

Member Distributed Loads (BLC 72 : Structure Wm (210 Deg)) (Continued)

Member Label	Direction	Start Magnitude[lb/ft....]	End Magnitude[lb/ft....]	Start Location[ft.%]	End Location[ft.%]
66	M68	Z	.54	.54	0 %100
67	MP1C	X	-.282	-.282	0 %100
68	MP1C	Z	.489	.489	0 %100
69	MP3C	X	-.282	-.282	0 %100
70	MP3C	Z	.489	.489	0 %100
71	MP4C	X	-.282	-.282	0 %100
72	MP4C	Z	.489	.489	0 %100
73	MP5C	X	-.282	-.282	0 %100
74	MP5C	Z	.489	.489	0 %100
75	M83	X	-.312	-.312	0 %100
76	M83	Z	.54	.54	0 %100
77	MP2C	X	-.282	-.282	0 %100
78	MP2C	Z	.489	.489	0 %100
79	M87	X	-.422	-.422	0 %100
80	M87	Z	.731	.731	0 %100
81	M88	X	0	0	0 %100
82	M88	Z	0	0	0 %100
83	M89	X	0	0	0 %100
84	M89	Z	0	0	0 %100
85	M90	X	0	0	0 %100
86	M90	Z	0	0	0 %100
87	M93	X	-.297	-.297	0 %100
88	M93	Z	.514	.514	0 %100
89	M94	X	-.297	-.297	0 %100
90	M94	Z	.514	.514	0 %100
91	M98	X	-.713	-.713	0 %100
92	M98	Z	1.234	1.234	0 %100
93	M99	X	-.544	-.544	0 %100
94	M99	Z	.943	.943	0 %100
95	M101A	X	-.573	-.573	0 %100
96	M101A	Z	.993	.993	0 %100
97	M103	X	-.713	-.713	0 %100
98	M103	Z	1.234	1.234	0 %100
99	M104	X	-.544	-.544	0 %100
100	M104	Z	.943	.943	0 %100
101	M106	X	-.573	-.573	0 %100
102	M106	Z	.993	.993	0 %100
103	M111	X	0	0	0 %100
104	M111	Z	0	0	0 %100
105	MP1B	X	-.282	-.282	0 %100
106	MP1B	Z	.489	.489	0 %100
107	MP3B	X	-.282	-.282	0 %100
108	MP3B	Z	.489	.489	0 %100
109	MP4B	X	-.282	-.282	0 %100
110	MP4B	Z	.489	.489	0 %100
111	MP5B	X	-.282	-.282	0 %100
112	MP5B	Z	.489	.489	0 %100
113	OVP2	X	-.257	-.257	0 %100
114	OVP2	Z	.445	.445	0 %100
115	M126	X	0	0	0 %100
116	M126	Z	0	0	0 %100
117	MP2B	X	-.282	-.282	0 %100
118	MP2B	Z	.489	.489	0 %100
119	M136	X	-.237	-.237	0 %100
120	M136	Z	.41	.41	0 %100
121	M137	X	-.237	-.237	0 %100
122	M137	Z	.41	.41	0 %100
123	M138	X	0	0	0 %100
124	M138	Z	0	0	0 %100

Member Distributed Loads (BLC 72 : Structure Wm (210 Deg)) (Continued)

	Member Label	Direction	Start Magnitude[lb/ft....	End Magnitude[lb/ft....	Start Location[ft.%]	End Location[ft.%]
125	M140	X	-.295	-.295	0	%100
126	M140	Z	.511	.511	0	%100
127	M142	X	-.295	-.295	0	%100
128	M142	Z	.511	.511	0	%100
129	M144	X	-.433	-.433	0	%100
130	M144	Z	.75	.75	0	%100

Member Distributed Loads (BLC 73 : Structure Wm (240 Deg))

	Member Label	Direction	Start Magnitude[lb/ft....	End Magnitude[lb/ft....	Start Location[ft.%]	End Location[ft.%]
1	M25	X	-.548	-.548	0	%100
2	M25	Z	.316	.316	0	%100
3	M26	X	-.191	-.191	0	%100
4	M26	Z	.11	.11	0	%100
5	M27	X	-.191	-.191	0	%100
6	M27	Z	.11	.11	0	%100
7	M28	X	-.309	-.309	0	%100
8	M28	Z	.178	.178	0	%100
9	M31	X	-.685	-.685	0	%100
10	M31	Z	.396	.396	0	%100
11	M32	X	-.171	-.171	0	%100
12	M32	Z	.099	.099	0	%100
13	M36	X	-.926	-.926	0	%100
14	M36	Z	.534	.534	0	%100
15	M37	X	-1.257	-1.257	0	%100
16	M37	Z	.726	.726	0	%100
17	M39	X	-1.324	-1.324	0	%100
18	M39	Z	.764	.764	0	%100
19	M41	X	-.926	-.926	0	%100
20	M41	Z	.534	.534	0	%100
21	M42	X	-.314	-.314	0	%100
22	M42	Z	.181	.181	0	%100
23	M44	X	-.331	-.331	0	%100
24	M44	Z	.191	.191	0	%100
25	FACE	X	-.18	-.18	0	%100
26	FACE	Z	.104	.104	0	%100
27	MP1A	X	-.489	-.489	0	%100
28	MP1A	Z	.282	.282	0	%100
29	MP3A	X	-.489	-.489	0	%100
30	MP3A	Z	.282	.282	0	%100
31	MP4A	X	-.489	-.489	0	%100
32	MP4A	Z	.282	.282	0	%100
33	MP5A	X	-.489	-.489	0	%100
34	MP5A	Z	.282	.282	0	%100
35	OVP1	X	-.445	-.445	0	%100
36	OVP1	Z	.257	.257	0	%100
37	M40A	X	-.18	-.18	0	%100
38	M40A	Z	.104	.104	0	%100
39	MP2A	X	-.489	-.489	0	%100
40	MP2A	Z	.282	.282	0	%100
41	M44A	X	0	0	0	%100
42	M44A	Z	0	0	0	%100
43	M45A	X	-.763	-.763	0	%100
44	M45A	Z	.44	.44	0	%100
45	M46A	X	-.763	-.763	0	%100
46	M46A	Z	.44	.44	0	%100
47	M47A	X	-1.234	-1.234	0	%100
48	M47A	Z	.713	.713	0	%100
49	M50	X	-.171	-.171	0	%100

Member Distributed Loads (BLC 73 : Structure Wm (240 Deg)) (Continued)

Member Label	Direction	Start Magnitude[lb/ft....]	End Magnitude[lb/ft....]	Start Location[ft.%]	End Location[ft.%]
50	M50	Z	.099	.099	0 %100
51	M51	X	-.171	-.171	0 %100
52	M51	Z	.099	.099	0 %100
53	M55	X	0	0	0 %100
54	M55	Z	0	0	0 %100
55	M56	X	-.314	-.314	0 %100
56	M56	Z	.181	.181	0 %100
57	M58	X	-.331	-.331	0 %100
58	M58	Z	.191	.191	0 %100
59	M60	X	0	0	0 %100
60	M60	Z	0	0	0 %100
61	M61	X	-.314	-.314	0 %100
62	M61	Z	.181	.181	0 %100
63	M63	X	-.331	-.331	0 %100
64	M63	Z	.191	.191	0 %100
65	M68	X	-.72	-.72	0 %100
66	M68	Z	.416	.416	0 %100
67	MP1C	X	-.489	-.489	0 %100
68	MP1C	Z	.282	.282	0 %100
69	MP3C	X	-.489	-.489	0 %100
70	MP3C	Z	.282	.282	0 %100
71	MP4C	X	-.489	-.489	0 %100
72	MP4C	Z	.282	.282	0 %100
73	MP5C	X	-.489	-.489	0 %100
74	MP5C	Z	.282	.282	0 %100
75	M83	X	-.72	-.72	0 %100
76	M83	Z	.416	.416	0 %100
77	MP2C	X	-.489	-.489	0 %100
78	MP2C	Z	.282	.282	0 %100
79	M87	X	-.548	-.548	0 %100
80	M87	Z	.317	.317	0 %100
81	M88	X	-.191	-.191	0 %100
82	M88	Z	.11	.11	0 %100
83	M89	X	-.191	-.191	0 %100
84	M89	Z	.11	.11	0 %100
85	M90	X	-.309	-.309	0 %100
86	M90	Z	.178	.178	0 %100
87	M93	X	-.171	-.171	0 %100
88	M93	Z	.099	.099	0 %100
89	M94	X	-.685	-.685	0 %100
90	M94	Z	.396	.396	0 %100
91	M98	X	-.926	-.926	0 %100
92	M98	Z	.534	.534	0 %100
93	M99	X	-.314	-.314	0 %100
94	M99	Z	.181	.181	0 %100
95	M101A	X	-.331	-.331	0 %100
96	M101A	Z	.191	.191	0 %100
97	M103	X	-.926	-.926	0 %100
98	M103	Z	.534	.534	0 %100
99	M104	X	-1.257	-1.257	0 %100
100	M104	Z	.726	.726	0 %100
101	M106	X	-1.324	-1.324	0 %100
102	M106	Z	.764	.764	0 %100
103	M111	X	-.18	-.18	0 %100
104	M111	Z	.104	.104	0 %100
105	MP1B	X	-.489	-.489	0 %100
106	MP1B	Z	.282	.282	0 %100
107	MP3B	X	-.489	-.489	0 %100
108	MP3B	Z	.282	.282	0 %100

Member Distributed Loads (BLC 73 : Structure Wm (240 Deg)) (Continued)

	Member Label	Direction	Start Magnitude[lb/ft....	End Magnitude[lb/ft....	Start Location[ft,%]	End Location[ft,%]
109	MP4B	X	-.489	-.489	0	%100
110	MP4B	Z	.282	.282	0	%100
111	MP5B	X	-.489	-.489	0	%100
112	MP5B	Z	.282	.282	0	%100
113	OVP2	X	-.445	-.445	0	%100
114	OVP2	Z	.257	.257	0	%100
115	M126	X	-.18	-.18	0	%100
116	M126	Z	.104	.104	0	%100
117	MP2B	X	-.489	-.489	0	%100
118	MP2B	Z	.282	.282	0	%100
119	M136	X	-.137	-.137	0	%100
120	M136	Z	.079	.079	0	%100
121	M137	X	-.547	-.547	0	%100
122	M137	Z	.316	.316	0	%100
123	M138	X	-.137	-.137	0	%100
124	M138	Z	.079	.079	0	%100
125	M140	X	-.671	-.671	0	%100
126	M140	Z	.387	.387	0	%100
127	M142	X	-.431	-.431	0	%100
128	M142	Z	.249	.249	0	%100
129	M144	X	-.671	-.671	0	%100
130	M144	Z	.387	.387	0	%100

Member Distributed Loads (BLC 74 : Structure Wm (270 Deg))

	Member Label	Direction	Start Magnitude[lb/ft....	End Magnitude[lb/ft....	Start Location[ft,%]	End Location[ft,%]
1	M25	X	-.843	-.843	0	%100
2	M25	Z	0	0	0	%100
3	M26	X	0	0	0	%100
4	M26	Z	0	0	0	%100
5	M27	X	0	0	0	%100
6	M27	Z	0	0	0	%100
7	M28	X	0	0	0	%100
8	M28	Z	0	0	0	%100
9	M31	X	-.593	-.593	0	%100
10	M31	Z	0	0	0	%100
11	M32	X	-.593	-.593	0	%100
12	M32	Z	0	0	0	%100
13	M36	X	-1.425	-1.425	0	%100
14	M36	Z	0	0	0	%100
15	M37	X	-1.089	-1.089	0	%100
16	M37	Z	0	0	0	%100
17	M39	X	-1.147	-1.147	0	%100
18	M39	Z	0	0	0	%100
19	M41	X	-1.425	-1.425	0	%100
20	M41	Z	0	0	0	%100
21	M42	X	-1.089	-1.089	0	%100
22	M42	Z	0	0	0	%100
23	M44	X	-1.147	-1.147	0	%100
24	M44	Z	0	0	0	%100
25	FACE	X	0	0	0	%100
26	FACE	Z	0	0	0	%100
27	MP1A	X	-.564	-.564	0	%100
28	MP1A	Z	0	0	0	%100
29	MP3A	X	-.564	-.564	0	%100
30	MP3A	Z	0	0	0	%100
31	MP4A	X	-.564	-.564	0	%100
32	MP4A	Z	0	0	0	%100
33	MP5A	X	-.564	-.564	0	%100

Member Distributed Loads (BLC 74 : Structure Wm (270 Deg)) (Continued)

Member Label	Direction	Start Magnitude[lb/ft....]	End Magnitude[lb/ft....]	Start Location[ft.%]	End Location[ft.%]
34	MP5A	Z	0	0	%100
35	OVP1	X	-0.514	-0.514	%100
36	OVP1	Z	0	0	%100
37	M40A	X	0	0	%100
38	M40A	Z	0	0	%100
39	MP2A	X	-0.564	-0.564	%100
40	MP2A	Z	0	0	%100
41	M44A	X	-0.211	-0.211	%100
42	M44A	Z	0	0	%100
43	M45A	X	-0.661	-0.661	%100
44	M45A	Z	0	0	%100
45	M46A	X	-0.661	-0.661	%100
46	M46A	Z	0	0	%100
47	M47A	X	-1.069	-1.069	%100
48	M47A	Z	0	0	%100
49	M50	X	-0.593	-0.593	%100
50	M50	Z	0	0	%100
51	M51	X	0	0	%100
52	M51	Z	0	0	%100
53	M55	X	-0.356	-0.356	%100
54	M55	Z	0	0	%100
55	M56	X	-1.089	-1.089	%100
56	M56	Z	0	0	%100
57	M58	X	-1.147	-1.147	%100
58	M58	Z	0	0	%100
59	M60	X	-0.356	-0.356	%100
60	M60	Z	0	0	%100
61	M61	X	0	0	%100
62	M61	Z	0	0	%100
63	M63	X	0	0	%100
64	M63	Z	0	0	%100
65	M68	X	-0.623	-0.623	%100
66	M68	Z	0	0	%100
67	MP1C	X	-0.564	-0.564	%100
68	MP1C	Z	0	0	%100
69	MP3C	X	-0.564	-0.564	%100
70	MP3C	Z	0	0	%100
71	MP4C	X	-0.564	-0.564	%100
72	MP4C	Z	0	0	%100
73	MP5C	X	-0.564	-0.564	%100
74	MP5C	Z	0	0	%100
75	M83	X	-0.623	-0.623	%100
76	M83	Z	0	0	%100
77	MP2C	X	-0.564	-0.564	%100
78	MP2C	Z	0	0	%100
79	M87	X	-0.211	-0.211	%100
80	M87	Z	0	0	%100
81	M88	X	-0.661	-0.661	%100
82	M88	Z	0	0	%100
83	M89	X	-0.661	-0.661	%100
84	M89	Z	0	0	%100
85	M90	X	-1.069	-1.069	%100
86	M90	Z	0	0	%100
87	M93	X	0	0	%100
88	M93	Z	0	0	%100
89	M94	X	-0.593	-0.593	%100
90	M94	Z	0	0	%100
91	M98	X	-0.356	-0.356	%100
92	M98	Z	0	0	%100

Member Distributed Loads (BLC 74 : Structure Wm (270 Deg)) (Continued)

	Member Label	Direction	Start Magnitude[lb/ft,...	End Magnitude[lb/ft,...	Start Location[ft, %]	End Location[ft, %]
93	M99	X	0	0	0	%100
94	M99	Z	0	0	0	%100
95	M101A	X	0	0	0	%100
96	M101A	Z	0	0	0	%100
97	M103	X	-.356	-.356	0	%100
98	M103	Z	0	0	0	%100
99	M104	X	-1.089	-1.089	0	%100
100	M104	Z	0	0	0	%100
101	M106	X	-1.147	-1.147	0	%100
102	M106	Z	0	0	0	%100
103	M111	X	-.623	-.623	0	%100
104	M111	Z	0	0	0	%100
105	MP1B	X	-.564	-.564	0	%100
106	MP1B	Z	0	0	0	%100
107	MP3B	X	-.564	-.564	0	%100
108	MP3B	Z	0	0	0	%100
109	MP4B	X	-.564	-.564	0	%100
110	MP4B	Z	0	0	0	%100
111	MP5B	X	-.564	-.564	0	%100
112	MP5B	Z	0	0	0	%100
113	OVP2	X	-.514	-.514	0	%100
114	OVP2	Z	0	0	0	%100
115	M126	X	-.623	-.623	0	%100
116	M126	Z	0	0	0	%100
117	MP2B	X	-.564	-.564	0	%100
118	MP2B	Z	0	0	0	%100
119	M136	X	0	0	0	%100
120	M136	Z	0	0	0	%100
121	M137	X	-.473	-.473	0	%100
122	M137	Z	0	0	0	%100
123	M138	X	-.473	-.473	0	%100
124	M138	Z	0	0	0	%100
125	M140	X	-.866	-.866	0	%100
126	M140	Z	0	0	0	%100
127	M142	X	-.59	-.59	0	%100
128	M142	Z	0	0	0	%100
129	M144	X	-.59	-.59	0	%100
130	M144	Z	0	0	0	%100

Member Distributed Loads (BLC 75 : Structure Wm (300 Deg))

	Member Label	Direction	Start Magnitude[lb/ft,...	End Magnitude[lb/ft,...	Start Location[ft, %]	End Location[ft, %]
1	M25	X	-.548	-.548	0	%100
2	M25	Z	-.316	-.316	0	%100
3	M26	X	-.191	-.191	0	%100
4	M26	Z	-.11	-.11	0	%100
5	M27	X	-.191	-.191	0	%100
6	M27	Z	-.11	-.11	0	%100
7	M28	X	-.309	-.309	0	%100
8	M28	Z	-.178	-.178	0	%100
9	M31	X	-.171	-.171	0	%100
10	M31	Z	-.099	-.099	0	%100
11	M32	X	-.685	-.685	0	%100
12	M32	Z	-.396	-.396	0	%100
13	M36	X	-.926	-.926	0	%100
14	M36	Z	-.534	-.534	0	%100
15	M37	X	-.314	-.314	0	%100
16	M37	Z	-.181	-.181	0	%100
17	M39	X	-.331	-.331	0	%100

Member Distributed Loads (BLC 75 : Structure Wm (300 Deg)) (Continued)

Member Label	Direction	Start Magnitude[lb/ft....]	End Magnitude[lb/ft....]	Start Location[ft.%]	End Location[ft.%]
18	M39	Z	-.191	0	%100
19	M41	X	-.926	0	%100
20	M41	Z	-.534	0	%100
21	M42	X	-1.257	0	%100
22	M42	Z	-.726	0	%100
23	M44	X	-1.324	0	%100
24	M44	Z	-.764	0	%100
25	FACE	X	-.18	0	%100
26	FACE	Z	-.104	0	%100
27	MP1A	X	-.489	0	%100
28	MP1A	Z	-.282	0	%100
29	MP3A	X	-.489	0	%100
30	MP3A	Z	-.282	0	%100
31	MP4A	X	-.489	0	%100
32	MP4A	Z	-.282	0	%100
33	MP5A	X	-.489	0	%100
34	MP5A	Z	-.282	0	%100
35	OVP1	X	-.445	0	%100
36	OVP1	Z	-.257	0	%100
37	M40A	X	-.18	0	%100
38	M40A	Z	-.104	0	%100
39	MP2A	X	-.489	0	%100
40	MP2A	Z	-.282	0	%100
41	M44A	X	-.548	0	%100
42	M44A	Z	-.317	0	%100
43	M45A	X	-.191	0	%100
44	M45A	Z	-.11	0	%100
45	M46A	X	-.191	0	%100
46	M46A	Z	-.11	0	%100
47	M47A	X	-.309	0	%100
48	M47A	Z	-.178	0	%100
49	M50	X	-.685	0	%100
50	M50	Z	-.396	0	%100
51	M51	X	-.171	0	%100
52	M51	Z	-.099	0	%100
53	M55	X	-.926	0	%100
54	M55	Z	-.534	0	%100
55	M56	X	-1.257	0	%100
56	M56	Z	-.726	0	%100
57	M58	X	-1.324	0	%100
58	M58	Z	-.764	0	%100
59	M60	X	-.926	0	%100
60	M60	Z	-.534	0	%100
61	M61	X	-.314	0	%100
62	M61	Z	-.181	0	%100
63	M63	X	-.331	0	%100
64	M63	Z	-.191	0	%100
65	M68	X	-.18	0	%100
66	M68	Z	-.104	0	%100
67	MP1C	X	-.489	0	%100
68	MP1C	Z	-.282	0	%100
69	MP3C	X	-.489	0	%100
70	MP3C	Z	-.282	0	%100
71	MP4C	X	-.489	0	%100
72	MP4C	Z	-.282	0	%100
73	MP5C	X	-.489	0	%100
74	MP5C	Z	-.282	0	%100
75	M83	X	-.18	0	%100
76	M83	Z	-.104	0	%100

Member Distributed Loads (BLC 75 : Structure Wm (300 Deg)) (Continued)

	Member Label	Direction	Start Magnitude[lb/ft....	End Magnitude[lb/ft....	Start Location[ft.%]	End Location[ft.%]
77	MP2C	X	-489	-489	0	%100
78	MP2C	Z	-282	-282	0	%100
79	M87	X	0	0	0	%100
80	M87	Z	0	0	0	%100
81	M88	X	-.763	-.763	0	%100
82	M88	Z	-.44	-.44	0	%100
83	M89	X	-.763	-.763	0	%100
84	M89	Z	-.44	-.44	0	%100
85	M90	X	-1.234	-1.234	0	%100
86	M90	Z	-.713	-.713	0	%100
87	M93	X	-.171	-.171	0	%100
88	M93	Z	-.099	-.099	0	%100
89	M94	X	-.171	-.171	0	%100
90	M94	Z	-.099	-.099	0	%100
91	M98	X	0	0	0	%100
92	M98	Z	0	0	0	%100
93	M99	X	-.314	-.314	0	%100
94	M99	Z	-.181	-.181	0	%100
95	M101A	X	-.331	-.331	0	%100
96	M101A	Z	-.191	-.191	0	%100
97	M103	X	0	0	0	%100
98	M103	Z	0	0	0	%100
99	M104	X	-.314	-.314	0	%100
100	M104	Z	-.181	-.181	0	%100
101	M106	X	-.331	-.331	0	%100
102	M106	Z	-.191	-.191	0	%100
103	M111	X	-.72	-.72	0	%100
104	M111	Z	-.416	-.416	0	%100
105	MP1B	X	-.489	-.489	0	%100
106	MP1B	Z	-.282	-.282	0	%100
107	MP3B	X	-.489	-.489	0	%100
108	MP3B	Z	-.282	-.282	0	%100
109	MP4B	X	-.489	-.489	0	%100
110	MP4B	Z	-.282	-.282	0	%100
111	MP5B	X	-.489	-.489	0	%100
112	MP5B	Z	-.282	-.282	0	%100
113	OVP2	X	-.445	-.445	0	%100
114	OVP2	Z	-.257	-.257	0	%100
115	M126	X	-.72	-.72	0	%100
116	M126	Z	-.416	-.416	0	%100
117	MP2B	X	-.489	-.489	0	%100
118	MP2B	Z	-.282	-.282	0	%100
119	M136	X	-.137	-.137	0	%100
120	M136	Z	-.079	-.079	0	%100
121	M137	X	-.137	-.137	0	%100
122	M137	Z	-.079	-.079	0	%100
123	M138	X	-.547	-.547	0	%100
124	M138	Z	-.316	-.316	0	%100
125	M140	X	-.671	-.671	0	%100
126	M140	Z	-.387	-.387	0	%100
127	M142	X	-.671	-.671	0	%100
128	M142	Z	-.387	-.387	0	%100
129	M144	X	-.431	-.431	0	%100
130	M144	Z	-.249	-.249	0	%100

Member Distributed Loads (BLC 76 : Structure Wm (330 Deg))

	Member Label	Direction	Start Magnitude[lb/ft....	End Magnitude[lb/ft....	Start Location[ft.%]	End Location[ft.%]
1	M25	X	-.105	-.105	0	%100

Member Distributed Loads (BLC 76 : Structure Wm (330 Deg)) (Continued)

Member Label	Direction	Start Magnitude[lb/ft....]	End Magnitude[lb/ft....]	Start Location[ft.%]	End Location[ft.%]
2	M25	Z	-183	-183	0 %100
3	M26	X	-33	-33	0 %100
4	M26	Z	-572	-572	0 %100
5	M27	X	-33	-33	0 %100
6	M27	Z	-572	-572	0 %100
7	M28	X	-534	-534	0 %100
8	M28	Z	-926	-926	0 %100
9	M31	X	0	0	0 %100
10	M31	Z	0	0	0 %100
11	M32	X	-297	-297	0 %100
12	M32	Z	-514	-514	0 %100
13	M36	X	-178	-178	0 %100
14	M36	Z	-309	-309	0 %100
15	M37	X	0	0	0 %100
16	M37	Z	0	0	0 %100
17	M39	X	0	0	0 %100
18	M39	Z	0	0	0 %100
19	M41	X	-178	-178	0 %100
20	M41	Z	-309	-309	0 %100
21	M42	X	-544	-544	0 %100
22	M42	Z	-943	-943	0 %100
23	M44	X	-573	-573	0 %100
24	M44	Z	-993	-993	0 %100
25	FACE	X	-312	-312	0 %100
26	FACE	Z	-54	-54	0 %100
27	MP1A	X	-282	-282	0 %100
28	MP1A	Z	-489	-489	0 %100
29	MP3A	X	-282	-282	0 %100
30	MP3A	Z	-489	-489	0 %100
31	MP4A	X	-282	-282	0 %100
32	MP4A	Z	-489	-489	0 %100
33	MP5A	X	-282	-282	0 %100
34	MP5A	Z	-489	-489	0 %100
35	OVP1	X	-257	-257	0 %100
36	OVP1	Z	-445	-445	0 %100
37	M40A	X	-312	-312	0 %100
38	M40A	Z	-54	-54	0 %100
39	MP2A	X	-282	-282	0 %100
40	MP2A	Z	-489	-489	0 %100
41	M44A	X	-422	-422	0 %100
42	M44A	Z	-731	-731	0 %100
43	M45A	X	0	0	0 %100
44	M45A	Z	0	0	0 %100
45	M46A	X	0	0	0 %100
46	M46A	Z	0	0	0 %100
47	M47A	X	0	0	0 %100
48	M47A	Z	0	0	0 %100
49	M50	X	-297	-297	0 %100
50	M50	Z	-514	-514	0 %100
51	M51	X	-297	-297	0 %100
52	M51	Z	-514	-514	0 %100
53	M55	X	-713	-713	0 %100
54	M55	Z	-1.234	-1.234	0 %100
55	M56	X	-544	-544	0 %100
56	M56	Z	-943	-943	0 %100
57	M58	X	-573	-573	0 %100
58	M58	Z	-993	-993	0 %100
59	M60	X	-713	-713	0 %100
60	M60	Z	-1.234	-1.234	0 %100

Member Distributed Loads (BLC 76 : Structure Wm (330 Deg)) (Continued)

Member Label	Direction	Start Magnitude[lb/ft....	End Magnitude[lb/ft....	Start Location[ft,%]	End Location[ft,%]
61	M61	X	-544	-544	0 %100
62	M61	Z	-943	-943	0 %100
63	M63	X	-573	-573	0 %100
64	M63	Z	-993	-993	0 %100
65	M68	X	0	0	0 %100
66	M68	Z	0	0	0 %100
67	MP1C	X	-282	-282	0 %100
68	MP1C	Z	-489	-489	0 %100
69	MP3C	X	-282	-282	0 %100
70	MP3C	Z	-489	-489	0 %100
71	MP4C	X	-282	-282	0 %100
72	MP4C	Z	-489	-489	0 %100
73	MP5C	X	-282	-282	0 %100
74	MP5C	Z	-489	-489	0 %100
75	M83	X	0	0	0 %100
76	M83	Z	0	0	0 %100
77	MP2C	X	-282	-282	0 %100
78	MP2C	Z	-489	-489	0 %100
79	M87	X	-106	-106	0 %100
80	M87	Z	-183	-183	0 %100
81	M88	X	-33	-33	0 %100
82	M88	Z	-572	-572	0 %100
83	M89	X	-33	-33	0 %100
84	M89	Z	-572	-572	0 %100
85	M90	X	-534	-534	0 %100
86	M90	Z	-926	-926	0 %100
87	M93	X	-297	-297	0 %100
88	M93	Z	-514	-514	0 %100
89	M94	X	0	0	0 %100
90	M94	Z	0	0	0 %100
91	M98	X	-178	-178	0 %100
92	M98	Z	-309	-309	0 %100
93	M99	X	-544	-544	0 %100
94	M99	Z	-943	-943	0 %100
95	M101A	X	-573	-573	0 %100
96	M101A	Z	-993	-993	0 %100
97	M103	X	-178	-178	0 %100
98	M103	Z	-309	-309	0 %100
99	M104	X	0	0	0 %100
100	M104	Z	0	0	0 %100
101	M106	X	0	0	0 %100
102	M106	Z	0	0	0 %100
103	M111	X	-312	-312	0 %100
104	M111	Z	-54	-54	0 %100
105	MP1B	X	-282	-282	0 %100
106	MP1B	Z	-489	-489	0 %100
107	MP3B	X	-282	-282	0 %100
108	MP3B	Z	-489	-489	0 %100
109	MP4B	X	-282	-282	0 %100
110	MP4B	Z	-489	-489	0 %100
111	MP5B	X	-282	-282	0 %100
112	MP5B	Z	-489	-489	0 %100
113	OVP2	X	-257	-257	0 %100
114	OVP2	Z	-445	-445	0 %100
115	M126	X	-312	-312	0 %100
116	M126	Z	-54	-54	0 %100
117	MP2B	X	-282	-282	0 %100
118	MP2B	Z	-489	-489	0 %100
119	M136	X	-237	-237	0 %100

Member Distributed Loads (BLC 76 : Structure Wm (330 Deg)) (Continued)

	Member Label	Direction	Start Magnitude[lb/ft....]	End Magnitude[lb/ft....]	Start Location[ft.%]	End Location[ft.%]
120	M136	Z	-41	-41	0	%100
121	M137	X	0	0	0	%100
122	M137	Z	0	0	0	%100
123	M138	X	-237	-237	0	%100
124	M138	Z	-41	-41	0	%100
125	M140	X	-295	-295	0	%100
126	M140	Z	-511	-511	0	%100
127	M142	X	-433	-433	0	%100
128	M142	Z	-75	-75	0	%100
129	M144	X	-295	-295	0	%100
130	M144	Z	-511	-511	0	%100

Member Distributed Loads (BLC 87 : BLC 39 Transient Area Loads)

	Member Label	Direction	Start Magnitude[lb/ft....]	End Magnitude[lb/ft....]	Start Location[ft.%]	End Location[ft.%]
1	M50	Y	-1.597	-4.066	0	.832
2	M50	Y	-4.066	-6.636	.832	1.665
3	M50	Y	-6.636	-7.874	1.665	2.497
4	M50	Y	-7.874	-6.293	2.497	3.329
5	M50	Y	-6.293	-3.33	3.329	4.162
6	M51	Y	-3.329	-6.32	0	.832
7	M51	Y	-6.32	-7.943	.832	1.665
8	M51	Y	-7.943	-6.773	1.665	2.497
9	M51	Y	-6.773	-4.256	2.497	3.329
10	M51	Y	-4.256	-1.812	3.329	4.162
11	M31	Y	-1.808	-4.259	0	.832
12	M31	Y	-4.259	-6.771	.832	1.665
13	M31	Y	-6.771	-7.938	1.665	2.497
14	M31	Y	-7.938	-6.325	2.497	3.329
15	M31	Y	-6.325	-3.336	3.329	4.162
16	M32	Y	-3.33	-6.292	0	.832
17	M32	Y	-6.292	-7.874	.832	1.665
18	M32	Y	-7.874	-6.635	1.665	2.497
19	M32	Y	-6.635	-4.064	2.497	3.329
20	M32	Y	-4.064	-1.601	3.329	4.162
21	M93	Y	-1.807	-4.258	0	.832
22	M93	Y	-4.258	-6.771	.832	1.665
23	M93	Y	-6.771	-7.939	1.665	2.497
24	M93	Y	-7.939	-6.325	2.497	3.329
25	M93	Y	-6.325	-3.336	3.329	4.162
26	M94	Y	-3.33	-6.293	0	.832
27	M94	Y	-6.293	-7.874	.832	1.665
28	M94	Y	-7.874	-6.634	1.665	2.497
29	M94	Y	-6.634	-4.064	2.497	3.329
30	M94	Y	-4.064	-1.601	3.329	4.162

Member Distributed Loads (BLC 88 : BLC 40 Transient Area Loads)

	Member Label	Direction	Start Magnitude[lb/ft....]	End Magnitude[lb/ft....]	Start Location[ft.%]	End Location[ft.%]
1	M50	Y	-4.92	-12.522	0	.832
2	M50	Y	-12.522	-20.44	.832	1.665
3	M50	Y	-20.44	-24.251	1.665	2.497
4	M50	Y	-24.251	-19.382	2.497	3.329
5	M50	Y	-19.382	-10.256	3.329	4.162
6	M51	Y	-10.252	-19.467	0	.832
7	M51	Y	-19.467	-24.464	.832	1.665
8	M51	Y	-24.464	-20.862	1.665	2.497
9	M51	Y	-20.862	-13.108	2.497	3.329
10	M51	Y	-13.108	-5.581	3.329	4.162
11	M31	Y	-5.425	-12.777	0	.832

Member Distributed Loads (BLC 88 : BLC 40 Transient Area Loads) (Continued)

	Member Label	Direction	Start Magnitude[lb/ft....]	End Magnitude[lb/ft....]	Start Location[ft.%]	End Location[ft.%]
12	M31	Y	-12.777	-20.312	.832	1.665
13	M31	Y	-20.312	-23.814	1.665	2.497
14	M31	Y	-23.814	-18.974	2.497	3.329
15	M31	Y	-18.974	-10.008	3.329	4.162
16	M32	Y	-9.989	-18.876	0	.832
17	M32	Y	-18.876	-23.623	.832	1.665
18	M32	Y	-23.623	-19.906	1.665	2.497
19	M32	Y	-19.906	-12.191	2.497	3.329
20	M32	Y	-12.191	-4.804	3.329	4.162
21	M93	Y	-5.421	-12.774	0	.832
22	M93	Y	-12.774	-20.312	.832	1.665
23	M93	Y	-20.312	-23.816	1.665	2.497
24	M93	Y	-23.816	-18.975	2.497	3.329
25	M93	Y	-18.975	-10.009	3.329	4.162
26	M94	Y	-9.989	-18.878	0	.832
27	M94	Y	-18.878	-23.621	.832	1.665
28	M94	Y	-23.621	-19.903	1.665	2.497
29	M94	Y	-19.903	-12.193	2.497	3.329
30	M94	Y	-12.193	-4.804	3.329	4.162

Member Area Loads (BLC 39 : Structure D)

	Joint A	Joint B	Joint C	Joint D	Direction	Distribution	Magnitude[ksf]
1	N71	N72	N95A	N93A	Y	Two Way	-.005
2	N56	N54	N32	N33	Y	Two Way	-.005
3	N139	N162	N160	N138	Y	Two Way	-.005

Member Area Loads (BLC 40 : Structure Di)

	Joint A	Joint B	Joint C	Joint D	Direction	Distribution	Magnitude[ksf]
1	N71	N72	N95A	N93A	Y	Two Way	-.015
2	N56	N54	N32	N33	Y	Two Way	-.015
3	N139	N162	N160	N138	Y	Two Way	-.015

Envelope Joint Reactions

	Joint		X [lb]	LC	Y [lb]	LC	Z [lb]	LC	MX [k-ft]	LC	MY [k-ft]	LC	MZ [k-ft]	LC
1	N30	max	1213.412	10	165.024	7	5184.827	13	.06	7	1.797	4	.126	22
2		min	-1217.946	4	-210.837	1	-1229.883	7	-.12	13	-1.801	10	-.079	4
3	N69	max	4441.764	21	96.625	3	589.927	1	.191	18	1.731	12	.527	35
4		min	-985.134	3	-401.727	33	-2586.904	19	-.431	48	-1.736	6	-.059	5
5	N136	max	990.9	11	161.543	11	874.628	1	.069	8	1.828	8	.082	12
6		min	-4477.535	17	-205.946	5	-2655.099	19	-.437	38	-1.831	2	-.261	42
7	N214	max	22.306	10	3288.149	13	-842.554	7	0	75	0	75	0	75
8		min	-22.27	4	589.083	7	-4676.115	13	0	1	0	1	0	1
9	N217	max	-750.251	3	3270.94	21	2325.672	21	0	75	0	75	0	75
10		min	-4028.123	21	605.581	3	433.16	3	0	1	0	1	0	1
11	N220	max	4049.109	17	3287.705	17	2337.693	17	0	75	0	75	0	75
12		min	735.141	11	593.469	11	424.441	11	0	1	0	1	0	1
13	Totals:	max	4688.877	10	8954.134	17	4716.081	1						
14		min	-4688.875	4	2278.06	74	-4716.077	7						

Envelope AISC 15th(360-16): LRFD Steel Code Checks

	Member	Shape	Code Check	Loc[...]	LC	Shear Check	Loc.....	phi*P...	phi*P...	phi*M...	phi*M.....	Eqn
1	M25	HSS4X4...	.183	3.014	14	.047	3.0...y	23	15115...	169740	19.285	19.285 ... H1-1b
2	M26	L3X3X4	.420	2.375	13	.284	.223 z	8	50818...	59616	2.157	4.799 ... H2-1
3	M27	L3X3X4	.429	0	13	.255	2.1...z	6	50818...	59616	2.157	4.799 ... H2-1

Envelope AISC 15th(360-16): LRFD Steel Code Checks (Continued)

Member	Shape	Code Check	Loc[...]	LC	Shear Check	Loc.....	phi*P...	phi*P...	phi*M...	phi*M.....	Eqn	
63	M140	LL2.5x2...	.127	3.652	13	.002	3.6...y	2444912...	58320	3.954	2.55	1 H1-1...
64	M142	LL2.5x2...	.127	3.652	21	.002	3.6...y	2244912...	58320	3.954	2.55	1 H1-1...
65	M144	LL2.5x2...	.127	3.652	17	.002	0 y	1844912...	58320	3.954	2.55	1 H1-1...

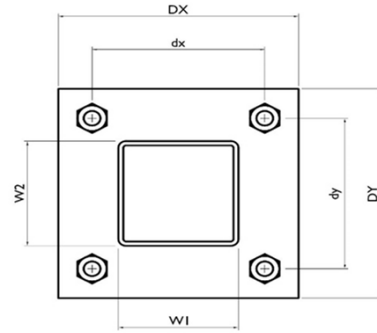
I. Mount-to-Tower Connection Check

Custom Orientation Required

Tower Connection Bolt Checks

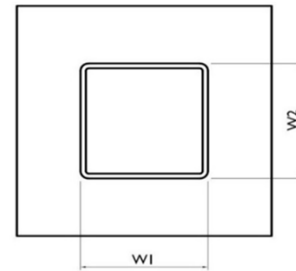
Bolt Orientation

Bolt Quantity per Reaction:	4
d_x (in) (Delta X of typ. bolt config. sketch) :	6
d_y (in) (Delta Y of typ. bolt config. sketch) :	6
Bolt Type:	A325N
Bolt Diameter (in):	0.625
Required Tensile Strength / bolt (kips):	2.3
Required Shear Strength / bolt (kips):	0.3
Tensile Capacity / bolt (kips):	20.7
Shear Capacity / bolt (kips):	12.4
Bolt Overall Utilization:	11.0%



Tower Connection Baseplate Checks

Connecting Standoff Member Shape:	Rect Tube
Weld Stiffener Configuration:	No Stiffeners
Plate Width, D_x (in):	10
Plate Height, D_y (in):	10
W_1 (in):	4
W_2 (in):	4
Member Thickness (in):	0.3125
F_y (ksi, plate):	36
Plate Thickness (in):	0.5
Length of Yield Line, L_y (in):	6.38
Bolt Eccentricity, e (in):	1.71
M_u (kip-in):	3.87
$\Phi * M_n$ (kip-in):	12.93
Plate Bending Utilization:	30.0%



Tower Connection Weld Checks

Weld Shape:
Weld Stiffener Configuration:
Stiffener Notch Length, n (in):
Weld Size (1/16 in):
W1 (in):
W2 (in):
Weld Total Length (in):
 Z_x (in³/in):
 Z_y (in³/in):
 J_p (in⁴/in):
 c_x (in)
 c_y (in)
Required combined strength (kip/in):
Weld Capacity (kip/in):
Weld Utilization:

Yes
Rectangle
None
4
4
4
16.00
21.33
21.33
85.33
2.3125
2.3125
0.79
5.57
14.2%

