

December 14, 2022

Frank Gladwin, Building Official  
Building Department  
355 Main Street, First Floor  
West Haven, CT 06516

### Construction Closeout Letter

**ATC Site Name:** West Haven & RT162 CT  
**ATC Asset#:** 243036  
**AT&T Site#:** CTLo2899  
**Site Address:** 668 Jones Hill Road  
West Haven, CT 06516

To Whom It May Concern:

In accordance with the requirements of the 2018 Connecticut State Building Code, Dewberry Engineers Inc. (Dewberry) reviewed the completed installation at the above location based on Rev-o Construction Drawings dated 03/16/22. A structural analysis report dated 11/23/21 was completed by American Tower Corporation, and an antenna mount analysis dated 03/11/22 was completed by Telamon Tower Engineering, PLLC.

Please see the attached reports and documentation for the completed site.

- December 14, 2022 – Contractor Report
- December 1, 2022 – As-Built drawings

Based on visual observations, it appears that the project is constructed in general conformance with the applicable plans and specifications. If you have any questions, please do not hesitate to contact Dewberry Engineers Inc.

Sincerely,

**Dewberry Engineers Inc.**



Benjamin Revette, P.E.  
Associate Vice President

## Statement of Special Inspections

### Contractor Report #1

Attn: Mr. Blake Paynter  
Project Manager  
American Tower Corporation  
10 Presidential Way  
Woburn, MA 01801

|                     |   |
|---------------------|---|
| ATC Site Name:      | West Haven & RT162 CT                       |
| ATC Site#/Project#: | 243036 / 13682841                           |
| Site Address:       | 668 Jones Hill Road<br>West Haven, CT 06516 |
| Contractor:         | Centerline Communications                   |


Dewberry Engineers Inc. (Dewberry) has reviewed the photos and as-built drawings provided by the general contractor of the recently completed site improvements at the aforementioned location. The site review was performed based on Rev-0 Construction Drawings dated 03/16/22. A structural analysis report dated 11/23/21 was completed by American Tower Corporation, and an antenna mount analysis dated 03/11/22 was completed by Telamon Tower Engineering, PLLC.

The following are on-site photos from the inspection:

- Figure 1: View(s) of installed alpha sector antennas and RRUs on new mount.
- Figure 2: View(s) of installed beta sector antennas and RRUs on new mount.
- Figure 3: View(s) of installed gamma sector antennas and RRUs on new mount.
- Figure 4: View(s) of installed DC and Fiber trunk cables.

All notes and items in this field report are a record of observations provided by the photos. Please notify Dewberry Engineers Inc. in writing of any discrepancies, errors or misinterpretations. Please find attached to this report, the figures and photos of construction and items observed.

Prepared By: \_\_\_\_\_

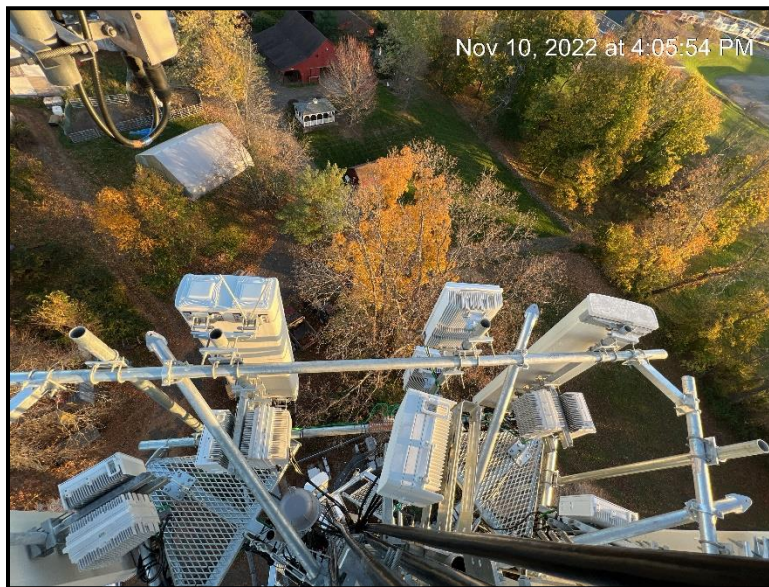


Joseph Mazzeo  
Engineer

**Contractor Photos:**



*Figure 1: View(s) of installed alpha sector antennas and RRUs on new mount.*



*Figure 2: View(s) of installed beta sector antennas and RRUs on new mount.*



*Figure 3: View(s) of installed gamma sector antennas and RRUs on new mount.*



*Figure 4: View(s) of installed DC and Fiber trunk cables.*

**GENERAL CONSTRUCTION NOTES:**

1. OWNER FURNISHED MATERIALS, AT&T "THE COMPANY" WILL PROVIDE AND THE CONTRACTOR WILL INSTALL
  - A. BTS EQUIPMENT FRAME (PLATFORM) AND ICEBRIDGE SHELTER (GROUND BUILD/CO-LOCATE ONLY)
  - B. AC/TELCO INTERFACE BOX (PPC)
  - C. ICE BRIDGE (CABLE TRAY WITH COVER) (GROUND BUILD/CO-LOCATE ONLY, GC TO FURNISH AND INSTALL FOR ROOFTOP INSTALLATION)
  - D. TOWERS, MONOPOLES
  - E. TOWER LIGHTING
  - F. GENERATORS & LIQUID PROPANE TANK
  - G. ANTENNA STANDARD BRACKETS, FRAMES AND PIPES FOR MOUNTING
  - H. ANTENNAS (INSTALLED BY OTHERS)
  - I. TRANSMISSION LINE
  - J. TRANSMISSION LINE JUMPERS
  - K. TRANSMISSION LINE CONNECTORS WITH WEATHERPROOFING KITS
  - L. TRANSMISSION LINE GROUND KITS
  - M. HANGERS
  - N. HOISTING GRIPS
  - O. BTS EQUIPMENT
2. THE CONTRACTOR IS RESPONSIBLE TO PROVIDE ALL OTHER MATERIALS FOR THE COMPLETE INSTALLATION OF THE SITE INCLUDING, BUT NOT LIMITED TO, SUCH MATERIALS AS FENCING, STRUCTURAL STEEL SUPPORTING SUB-FRAME FOR PLATFORM, ROOFING LABOR AND MATERIALS, GROUNDING RINGS, GROUNDING WIRES, COPPER-CLAD OR XIT CHEMICAL GROUND ROD(S), BUSS BARS, TRANSFORMERS AND DISCONNECT SWITCHES WHERE APPLICABLE, TEMPORARY ELECTRICAL POWER, CONDUIT, LANDSCAPING COMPOUND STONE, CRANES, CORE DRILLING, SLEEPERS AND RUBBER MATTING, REBAR, CONCRETE CAISSONS, PADS AND/OR AUGER MOUNTS, MISCELLANEOUS FASTENERS, CABLE TRAYS, NON-STANDARD ANTENNA FRAMES AND ALL OTHER MATERIAL AND LABOR REQUIRED TO COMPLETE THE JOB ACCORDING TO THE DRAWINGS AND SPECIFICATIONS. IT IS THE POSITION OF AT&T TO APPLY FOR PERMITTING AND CONTRACTOR RESPONSIBLE FOR PICKUP AND PAYMENT OF REQUIRED PERMITS.
3. ALL WORK SHALL CONFORM TO ALL CURRENT APPLICABLE FEDERAL, STATE, AND LOCAL CODES, INCLUDING ANSI/EIA/TIA-222, AND COMPLY WITH ATC CONSTRUCTION SPECIFICATIONS.
4. CONTRACTOR SHALL CONTACT LOCAL 811 FOR IDENTIFICATION OF UNDERGROUND UTILITIES PRIOR TO START OF CONSTRUCTION.
5. CONTRACTOR SHALL BE RESPONSIBLE FOR COORDINATING ALL REQUIRED INSPECTIONS.
6. ALL DIMENSIONS TO, OF, AND ON EXISTING BUILDINGS, DRAINAGE STRUCTURES, AND SITE IMPROVEMENTS SHALL BE VERIFIED IN FIELD BY CONTRACTOR WITH ALL DISCREPANCIES REPORTED TO THE ENGINEER.
7. DO NOT CHANGE SIZE OR SPACING OF STRUCTURAL ELEMENTS.
8. DETAILS SHOWN ARE TYPICAL; SIMILAR DETAILS APPLY TO SIMILAR CONDITIONS UNLESS OTHERWISE NOTED.
9. THESE DRAWINGS DO NOT INCLUDE NECESSARY COMPONENTS FOR CONSTRUCTION SAFETY WHICH SHALL BE THE SOLE RESPONSIBILITY OF THE CONTRACTOR.
10. CONTRACTOR SHALL BRACE STRUCTURES UNTIL ALL STRUCTURAL ELEMENTS NEEDED FOR STABILITY ARE INSTALLED. THESE ELEMENTS ARE AS FOLLOWS: LATERAL BRACING, ANCHOR BOLTS, ETC.
11. CONTRACTOR SHALL DETERMINE EXACT LOCATION OF EXISTING UTILITIES, GROUNDS DRAINS, DRAIN PIPES, VENTS, ETC. BEFORE COMMENCING WORK.
12. INCORRECTLY FABRICATED, DAMAGED, OR OTHERWISE MISFITTING OR NONCONFORMING MATERIALS OR CONDITIONS SHALL BE REPORTED TO THE AT&T REP PRIOR TO REMEDIAL OR CORRECTIVE ACTION. ANY SUCH REMEDIAL ACTION SHALL REQUIRE WRITTEN APPROVAL BY THE AT&T REP PRIOR TO PROCEEDING.
13. EACH CONTRACTOR SHALL COOPERATE WITH THE AT&T REP, AND COORDINATE HIS WORK WITH THE WORK OF OTHERS.
14. CONTRACTOR SHALL REPAIR ANY DAMAGE CAUSED BY CONSTRUCTION OF THIS PROJECT TO MATCH EXISTING PRE-CONSTRUCTION CONDITIONS TO THE SATISFACTION OF THE AT&T CONSTRUCTION MANAGER.
15. ALL CABLE/CONDUIT ENTRY/EXIT PORTS SHALL BE WEATHERPROOFED DURING INSTALLATION USING A SILICONE SEALANT.
16. WHERE EXISTING CONDITIONS DO NOT MATCH THOSE SHOWN IN THIS PLAN SET, CONTRACTOR SHALL NOTIFY THE AT&T REP AND ENGINEER OF RECORD IMMEDIATELY.
17. CONTRACTOR SHALL ENSURE ALL SUBCONTRACTORS ARE PROVIDED WITH A COMPLETE AND CURRENT SET OF DRAWINGS AND SPECIFICATIONS FOR THIS PROJECT.
18. CONTRACTOR SHALL REMOVE ALL RUBBISH AND DEBRIS FROM THE SITE AT THE END OF EACH DAY.
19. CONTRACTOR SHALL COORDINATE WORK SCHEDULE WITH AMERICAN TOWER CORPORATION (ATC) AND TAKE PRECAUTIONS TO MINIMIZE IMPACT AND DISRUPTION OF OTHER OCCUPANTS OF THE FACILITY.
20. CONTRACTOR SHALL FURNISH AT&T AND AMERICAN TOWER CORPORATION (ATC) WITH A PDF MARKED UP AS-BUILT SET OF DRAWINGS UPON COMPLETION OF WORK.
21. PRIOR TO SUBMISSION OF BID, CONTRACTOR SHALL COORDINATE WITH AT&T REP TO DETERMINE WHAT, IF ANY, ITEMS WILL BE PROVIDED. ALL ITEMS NOT PROVIDED SHALL BE PROVIDED AND INSTALLED BY THE CONTRACTOR. CONTRACTOR WILL INSTALL ALL ITEMS PROVIDED.
22. PRIOR TO SUBMISSION OF BID, CONTRACTOR SHALL COORDINATE WITH AT&T REP TO

- DETERMINE IF ANY PERMITS WILL BE OBTAINED BY CONTRACTOR. ALL REQUIRED PERMITS NOT OBTAINED BY AT&T MUST BE OBTAINED, AND PAID FOR, BY THE CONTRACTOR.
23. CONTRACTOR SHALL INSTALL ALL SITE SIGNAGE IN ACCORDANCE WITH AT&T SPECIFICATIONS AND REQUIREMENTS.
  24. CONTRACTOR SHALL SUBMIT ALL SHOP DRAWINGS TO AT&T FOR REVIEW AND APPROVAL PRIOR TO FABRICATION.
  25. ALL EQUIPMENT SHALL BE INSTALLED ACCORDING TO MANUFACTURER'S SPECIFICATIONS AND LOCATED ACCORDING TO AT&T SPECIFICATIONS, AND AS SHOWN IN THESE PLANS.
  26. THE CONTRACTOR SHALL SUPERVISE AND DIRECT THE PROJECT DESCRIBED HEREIN. THE CONTRACTOR SHALL BE SOLELY RESPONSIBLE FOR ALL THE CONSTRUCTION MEANS, METHODS, TECHNIQUES, SEQUENCES AND PROCEDURES AND FOR COORDINATING ALL PORTIONS OF THE WORK UNDER THE CONTRACT.
  27. CONTRACTOR SHALL NOTIFY AT&T REP A MINIMUM OF 48 HOURS IN ADVANCE OF POURING CONCRETE OR BACKFILLING ANY UNDERGROUND UTILITIES, FOUNDATIONS OR SEALING ANY WALL, FLOOR OR ROOF PENETRATIONS FOR ENGINEERING REVIEW AND APPROVAL.
  28. CONTRACTOR SHALL BE RESPONSIBLE FOR SITE SAFETY INCLUDING COMPLIANCE WITH ALL APPLICABLE OSHA STANDARDS AND RECOMMENDATIONS AND SHALL PROVIDE ALL NECESSARY SAFETY DEVICES INCLUDING PPE AND PPM AND CONSTRUCTION DEVICES SUCH AS WELDING AND FIRE PREVENTION, TEMPORARY SHORING, SCAFFOLDING, TRENCH BOXES/SLOPING, BARRIERS, ETC.
  29. THE CONTRACTOR SHALL PROTECT AT HIS OWN EXPENSE, ALL EXISTING FACILITIES AND SUCH OF HIS NEW WORK LIABLE TO INJURY DURING THE CONSTRUCTION PERIOD. ANY DAMAGE CAUSED BY NEGLIGENCE ON THE PART OF THIS CONTRACTOR OR HIS REPRESENTATIVES, OR BY THE ELEMENTS DUE TO NEGLIGENCE ON THE PART OF THIS CONTRACTOR OR HIS REPRESENTATIVES, EITHER TO THE EXISTING WORK, OR TO HIS WORK OR THE WORK OF ANY OTHER CONTRACTOR, SHALL BE REPAIRED AT HIS EXPENSE TO THE OWNER'S SATISFACTION.
  30. ALL WORK SHALL BE INSTALLED IN A FIRST CLASS, NEAT AND WORKMANLIKE MANNER BY MECHANICS SKILLED IN THE TRADE INVOLVED. THE QUALITY OF WORKMANSHIP SHALL BE SUBJECT TO THE APPROVAL OF THE AT&T REP. ANY WORK FOUND BY THE AT&T REP TO BE OF INFERIOR QUALITY AND/OR WORKMANSHIP SHALL BE REPLACED AND/OR REWORKED AT CONTRACTOR EXPENSE UNTIL APPROVAL IS OBTAINED.
  31. IN ORDER TO ESTABLISH STANDARDS OF QUALITY AND PERFORMANCE, ALL TYPES OF MATERIALS LISTED HEREINAFTER BY MANUFACTURER'S NAMES AND/OR MANUFACTURER'S CATALOG NUMBER SHALL BE PROVIDED BY THESE MANUFACTURERS AS SPECIFIED.
  32. AT&T FURNISHED EQUIPMENT SHALL BE PICKED-UP AT THE AT&T WAREHOUSE, NO LATER THAN 48HR AFTER BEING NOTIFIED INSURED, STORED, UNCRATE, PROTECTED AND INSTALLED BY THE CONTRACTOR WITH ALL APPURTENANCES REQUIRED TO PLACE THE EQUIPMENT IN OPERATION, READY FOR USE. THE CONTRACTOR SHALL BE RESPONSIBLE FOR THE EQUIPMENT AFTER PICKING IT UP.
  33. AT&T OR HIS ARCHITECT/ENGINEER RESERVES THE RIGHT TO REJECT ANY EQUIPMENT OR MATERIALS WHICH, IN HIS OWN OPINION ARE NOT IN COMPLIANCE WITH THE CONTRACT DOCUMENTS, EITHER BEFORE OR AFTER INSTALLATION AND THE EQUIPMENT SHALL BE REPLACED WITH EQUIPMENT CONFORMING TO THE REQUIREMENTS OF THE CONTRACT DOCUMENTS BY THE CONTRACTOR AT NO COST TO AT&T OR THEIR ARCHITECT/ENGINEER.

**SPECIAL CONSTRUCTION  
ANTENNA INSTALLATION NOTES:**

1. WORK INCLUDED:
  - A. ANTENNA AND COAXIAL CABLES ARE FURNISHED BY AT&T UNDER A SEPARATE CONTRACT. THE CONTRACTOR SHALL ASSIST ANTENNA INSTALLATION CONTRACTOR IN TERMS OF COORDINATION AND SITE ACCESS. ERECTION SUBCONTRACTOR SHALL BE RESPONSIBLE FOR THE PROTECTION OF PERSONNEL.
  - B. INSTALL ANTENNAS AS INDICATED ON DRAWINGS AND AT&T SPECIFICATIONS.
  - C. INSTALL GALVANIZED STEEL ANTENNA MOUNTS AS INDICATED ON DRAWINGS.
  - D. INSTALL FURNISHED GALVANIZED STEEL OR ALUMINUM WAVEGUIDE.
  - E. CONTRACTOR SHALL PROVIDE FOUR (4) SETS OF SWEEP TESTS USING ANRITZU-PACKARD 8713B RF SCALAR NETWORK ANALYZER. SUBMIT FREQUENCY DOMAIN REFLECTOMETER(FDR) TESTS RESULTS TO THE PROJECT MANAGER. SWEEP TESTS SHALL BE AS PER ATTACHED RFS "MINIMUM FIELD TESTING RECOMMENDED FOR ANTENNA AND HELIAX COAXIAL CABLE SYSTEMS" DATED 10/5/93. TESTING SHALL BE PERFORMED BY AN INDEPENDENT TESTING SERVICE AND BE BOUND AND SUBMITTED WITHIN ONE WEEK OF WORK COMPLETION.
  - F. INSTALL COAXIAL CABLES AND TERMINATING BETWEEN ANTENNAS AND EQUIPMENT PER MANUFACTURER'S RECOMMENDATIONS. WEATHERPROOF ALL CONNECTIONS BETWEEN THE ANTENNA AND EQUIPMENT PER MANUFACTURER'S REQUIREMENTS. TERMINATE ALL COAXIAL CABLE THREE (3) FEET IN EXCESS OF ENTRY PORT LOCATION UNLESS OTHERWISE STATED.
  - G. ANTENNA AND COAXIAL CABLE GROUNDING:
    2. ALL EXTERIOR #6 GREEN GROUND WIRE "DAISY CHAIN" CONNECTIONS ARE TO BE WEATHER SEALED WITH RFS CONNECTORS/SPLICE WEATHERPROOFING KIT #221213 OR EQUAL.
    3. ALL COAXIAL CABLE GROUNDING KITS ARE TO BE INSTALLED ON STRAIGHT RUNS OF COAXIAL CABLE (NOT WITHIN BENDS)

**AS BUILT  
Centerline Communications  
Tristen Spear  
12/1/22 8:31 AM**

**ALL DISCREPANCIES FROM WHAT IS SHOWN ON THESE CONSTRUCTION DRAWINGS SHALL BE COMMUNICATED TO ATC ENGINEERING IMMEDIATELY FOR CORRECTION OR RE-DESIGN. FAILURE TO COMMUNICATE DIRECTLY WITH ATC ENGINEERING OR ANY CHANGES FROM THE DESIGN CONDUCTED WITHOUT PRIOR APPROVAL FROM ATC ENGINEERING SHALL BE THE SOLE RESPONSIBILITY OF THE GENERAL CONTRACTOR.**



**Dewberry®**  
Dewberry Engineers Inc.  
99 SUMMER STREET  
SUITE 700  
BOSTON, MA 02110  
PHONE: 617.695.3400  
FAX: 617.695.3310

| REV. | DESCRIPTION | BY | DATE     |
|------|-------------|----|----------|
| A    | PRELIM      | BR | 11/18/21 |
| O    | FINAL       | VL | 03/16/22 |
|      |             |    |          |
|      |             |    |          |
|      |             |    |          |

ATC SITE NUMBER:  
**243036**

ATC SITE NAME:  
**WEST HAVEN & RT 162 CT**

AT&T SITE NAME:  
**WEST HAVEN JONES HILL ROAD**

SITE ADDRESS:  
668 JONES HILL ROAD  
WEST HAVEN, CT 06516



|              |             |
|--------------|-------------|
| DATE DRAWN:  | 11/18/21    |
| ATC JOB NO:  | 13682841_G5 |
| CUSTOMER ID: | CTL02899    |
| CUSTOMER #:  | 10578274    |

**GENERAL NOTES**

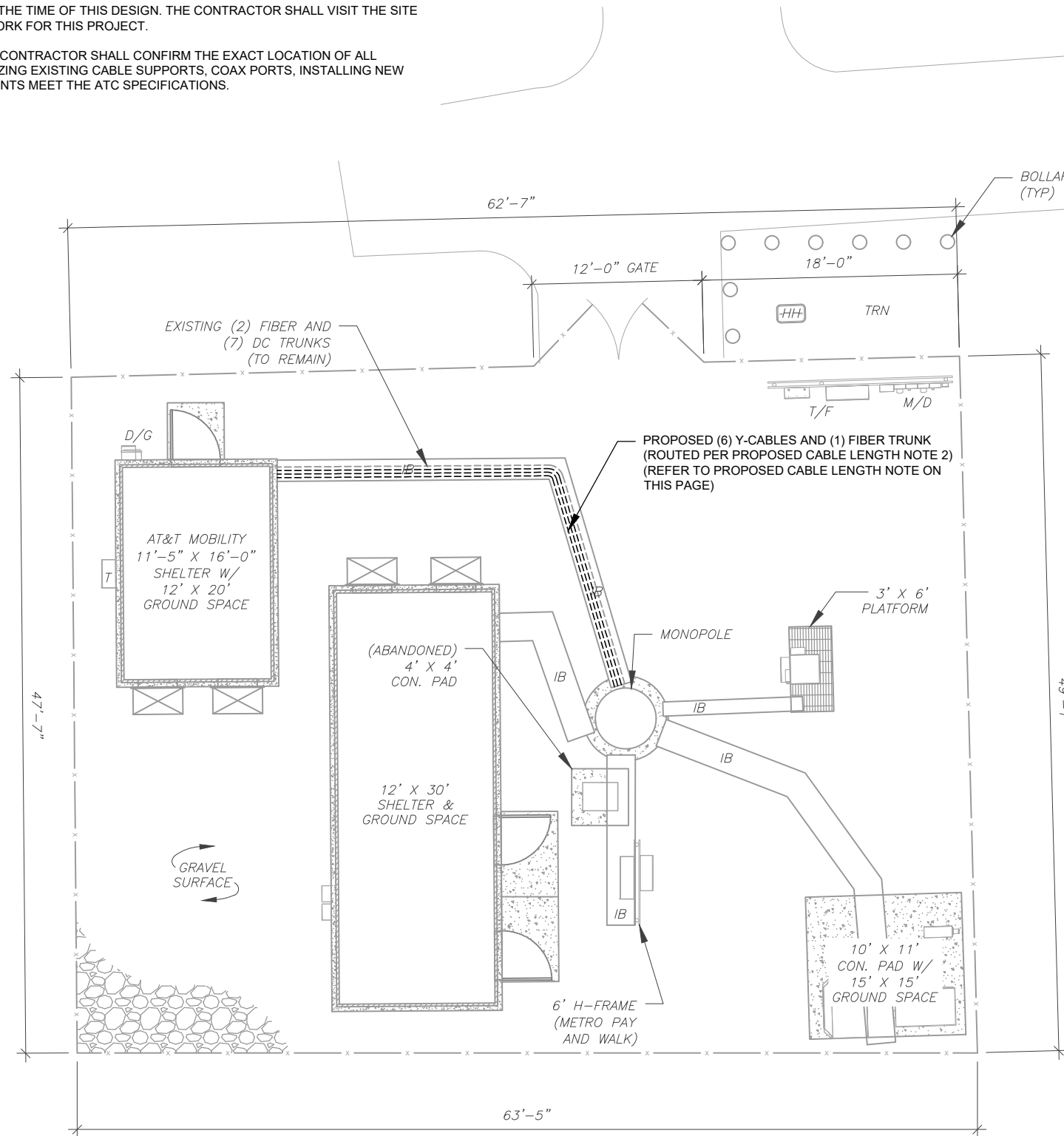
|                               |                       |
|-------------------------------|-----------------------|
| SHEET NUMBER:<br><b>G-002</b> | REVISION:<br><b>0</b> |
|-------------------------------|-----------------------|

Copyright © 2022 ATC IP, LLC. All Rights Reserved.

**SITE PLAN NOTES:**

1. THIS SITE PLAN REPRESENTS THE BEST PRESENT KNOWLEDGE AVAILABLE TO THE ENGINEER AT THE TIME OF THIS DESIGN. THE CONTRACTOR SHALL VISIT THE SITE PRIOR TO CONSTRUCTION AND VERIFY ALL EXISTING CONDITIONS RELATED TO THE SCOPE OF WORK FOR THIS PROJECT.
2. ICE BRIDGE, CABLE LADDER, COAX PORT, AND COAX CABLE ARE SHOWN FOR REFERENCE ONLY. CONTRACTOR SHALL CONFIRM THE EXACT LOCATION OF ALL PROPOSED AND EXISTING EQUIPMENT AND STRUCTURES DEPICTED ON THIS PLAN. BEFORE UTILIZING EXISTING CABLE SUPPORTS, COAX PORTS, INSTALLING NEW PORTS OR ANY OTHER EQUIPMENT, CONTRACTOR SHALL VERIFY ALL ASPECTS OF THE COMPONENTS MEET THE ATC SPECIFICATIONS.
3. THIS PROJECT INCLUDES NO INSTALL OR MODIFICATION AT GRADE.

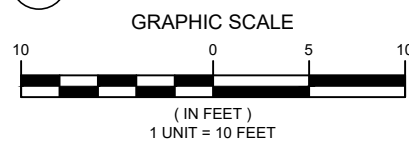
| LEGEND |                           |
|--------|---------------------------|
| ⊗      | GROUNDING TEST WELL       |
| ATS    | AUTOMATIC TRANSFER SWITCH |
| B      | BOLLARD                   |
| CSC    | CELL SITE CABINET         |
| D      | DISCONNECT                |
| E      | ELECTRICAL                |
| F      | FIBER                     |
| GEN    | GENERATOR                 |
| G      | GENERATOR RECEPTACAL      |
| HH, V  | HAND HOLE, VAULT          |
| IB     | ICE BRIDGE                |
| K      | KENTROX BOX               |
| LC     | LIGHTING CONTROL          |
| M      | METER                     |
| PB     | PULL BOX                  |
| PP     | POWER POLE                |
| T      | TELCO                     |
| TRN    | TRANSFORMER               |
| x      | CHAINLINK FENCE           |



**PROPOSED CABLE LENGTH:**

1. ESTIMATED LENGTH OF PROPOSED CABLE IS **186'**. ESTIMATED LENGTH OF CABLE WAS PROVIDED BY CUSTOMER OR CALCULATED BY ADDING THE RAD CENTER AND THE DISTANCE FROM THE SHELTER ENTRY PLATE TO THE TOWER (ALONG THE ICE BRIDGE) AND A SAFETY FACTOR MEASUREMENT OF 15% (OF THE TWO PREVIOUS VALUES), CDS DEFER TO GREATEST CABLE LENGTH.
2. ROUTE PROPOSED CABLES ALONG SAME PATH AS EXISTING CABLES AND IN ACCORDANCE WITH STRUCTURAL ANALYSIS. WHERE POSSIBLE UTILIZE EXISTING CABLE SUPPORT STRUCTURES AS PROVIDED FOR CARRIER TO ADEQUATELY SECURE CABLES, USING EITHER APPROPRIATELY SIZED STAINLESS STEEL SNAP-INS OR MOUNTING HARDWARE AND BRACKETS AS SPECIFIED BY CABLE MANUFACTURER. OTHERWISE, ATTACH CABLES TO HORIZONTAL OR DIAGONAL TOWER MEMBERS USING PROPOSED STAINLESS STEEL ADAPTERS (DO NOT ATTACH TO TOWER LEG).

**1 DETAILED SITE PLAN**



**AS BUILT**  
**Centerline Communications**  
**Tristen Spear**  
**12/1/22 8:31 AM**



**Dewberry®**  
 Dewberry Engineers Inc.  
 99 SUMMER STREET  
 SUITE 700  
 BOSTON, MA 02110  
 PHONE: 617.695.3400  
 FAX: 617.695.3310

| REV. | DESCRIPTION | BY | DATE     |
|------|-------------|----|----------|
| A    | PRELIM      | BR | 11/18/21 |
| 0    | FINAL       | VL | 03/16/22 |
|      |             |    |          |
|      |             |    |          |
|      |             |    |          |

ATC SITE NUMBER:  
**243036**

ATC SITE NAME:  
**WEST HAVEN & RT 162 CT**

AT&T SITE NAME:  
**WEST HAVEN JONES HILL ROAD**

SITE ADDRESS:  
 668 JONES HILL ROAD  
 WEST HAVEN, CT 06516

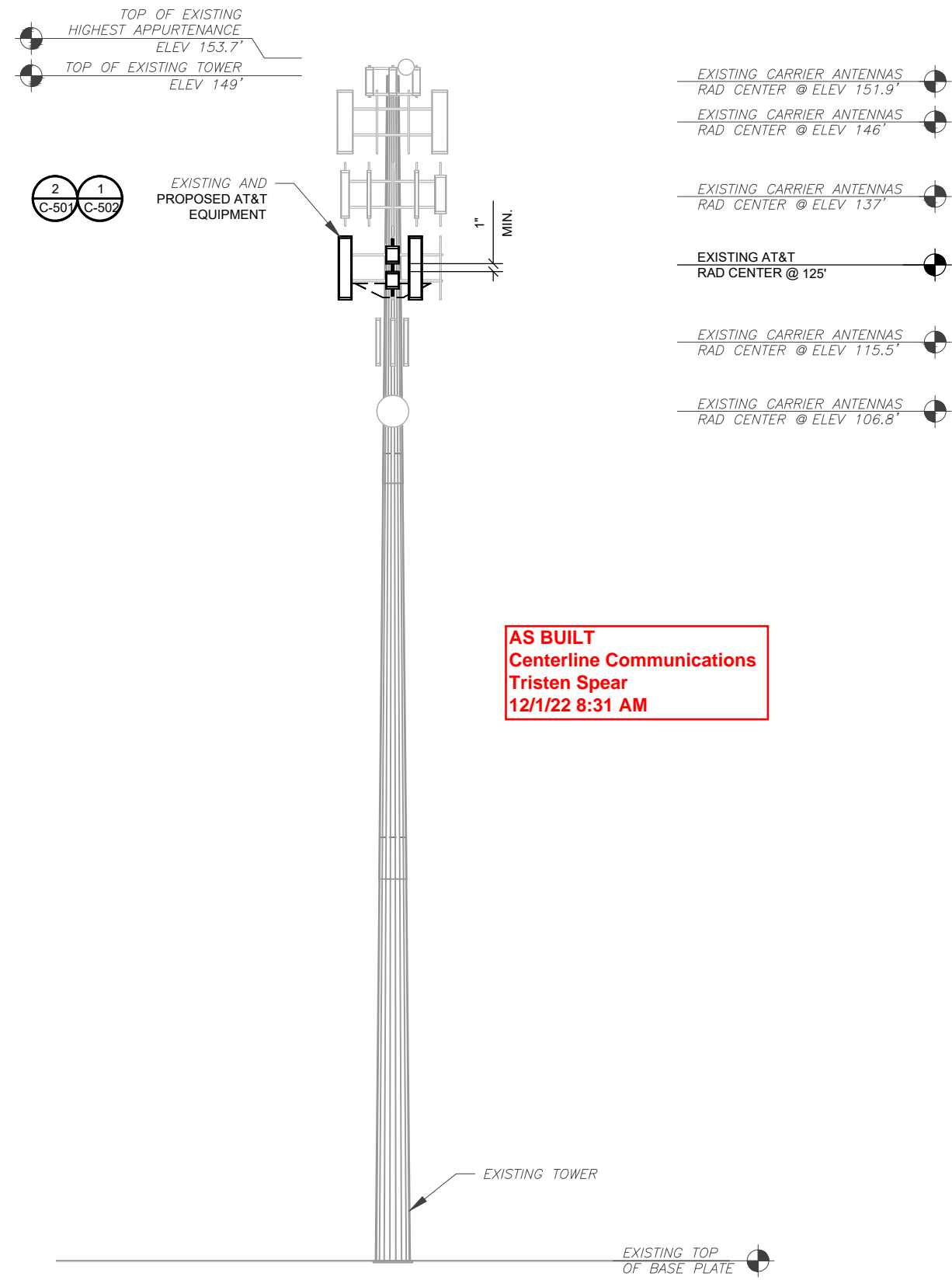
SEAL:



|              |             |
|--------------|-------------|
| DATE DRAWN:  | 11/18/21    |
| ATC JOB NO:  | 13682841_G5 |
| CUSTOMER ID: | CTL02899    |
| CUSTOMER #:  | 10578274    |

**DETAILED SITE PLAN**

|               |           |
|---------------|-----------|
| SHEET NUMBER: | REVISION: |
| <b>C-101</b>  | <b>0</b>  |



**AS BUILT**  
**Centerline Communications**  
**Tristen Spear**  
**12/1/22 8:31 AM**

PER MOUNT ANALYSIS COMPLETED BY TELAMON TOWER ENGINEERING PLLC, DATED 03/11/22, THE EXISTING MOUNT CAN NOT ADEQUATELY SUPPORT THE PROPOSED LOADING. THE MOUNT REPLACEMENT PROPOSED IN THE MOUNT ANALYSIS, INCLUDED AT THE END OF THIS PLAN SET, MUST BE INSTALLED PRIOR TO THE INSTALLATION OF THE PROPOSED ANTENNAS AND OTHER EQUIPMENT.

**Dewberry**  
 Dewberry Engineers Inc.  
 99 SUMMER STREET  
 SUITE 700  
 BOSTON, MA 02110  
 PHONE: 617.695.3400  
 FAX: 617.695.3310

| REV. | DESCRIPTION | BY | DATE     |
|------|-------------|----|----------|
| A    | PRELIM      | BR | 11/18/21 |
| 0    | FINAL       | VL | 03/16/22 |
|      |             |    |          |
|      |             |    |          |
|      |             |    |          |

ATC SITE NUMBER:  
**243036**

ATC SITE NAME:  
**WEST HAVEN & RT 162 CT**

AT&T SITE NAME:  
**WEST HAVEN JONES HILL ROAD**

SITE ADDRESS:  
 668 JONES HILL ROAD  
 WEST HAVEN, CT 06516



|              |             |
|--------------|-------------|
| DATE DRAWN:  | 11/18/21    |
| ATC JOB NO:  | 13682841_G5 |
| CUSTOMER ID: | CTL02899    |
| CUSTOMER #:  | 10578274    |

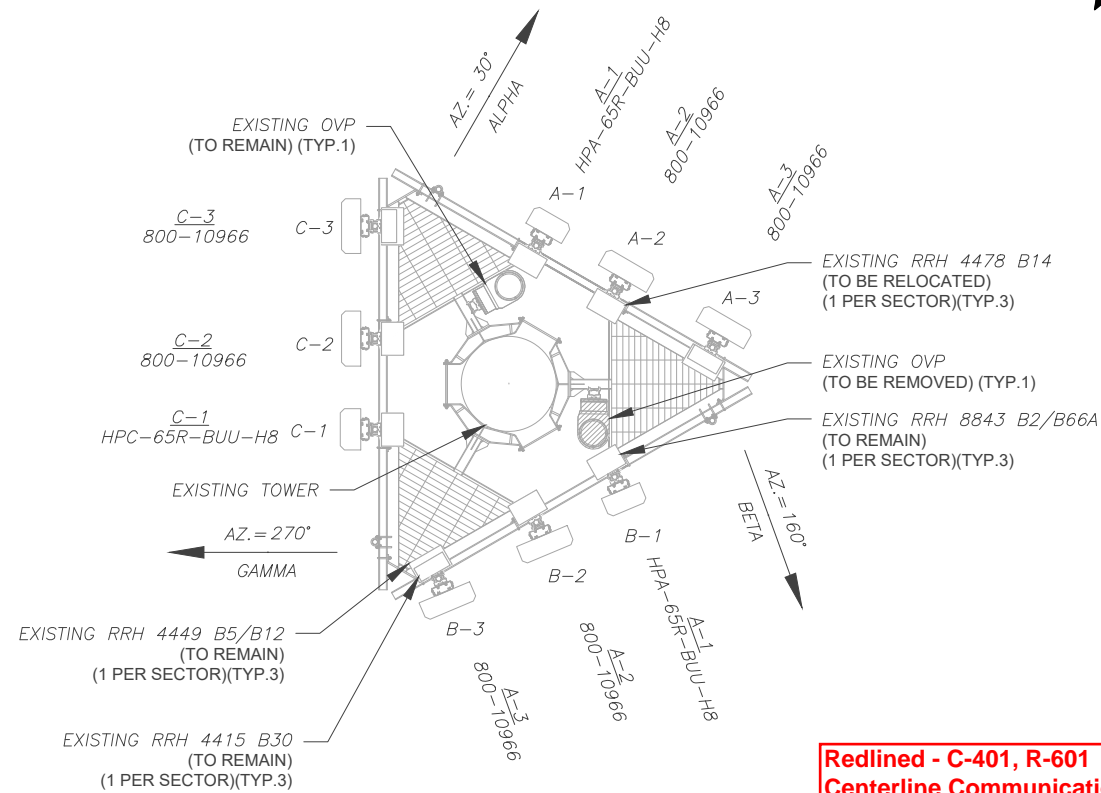
|                               |                       |
|-------------------------------|-----------------------|
| <b>TOWER ELEVATION</b>        |                       |
| SHEET NUMBER:<br><b>C-201</b> | REVISION:<br><b>0</b> |

- TOWER NOTE:**
- IT IS THE CONTRACTOR'S RESPONSIBILITY TO CONFIRM WITH THE PROJECT MANAGER THAT THEY HAVE THE MOST RECENT VERSION OF THE STRUCTURAL ANALYSIS BEFORE COMMENCING WORK. EXISTING AND PROPOSED TOWER APPURTENANCES, MOUNTS, AND ANTENNAS ARE SHOWN BASED ON THE STRUCTURAL ANALYSIS. WHERE APPLICABLE, ALL NEW ANTENNAS, EQUIPMENT, MOUNTS, CABLING, ETC. SHALL BE PAINTED/SOCKED TO MATCH EXISTING EQUIPMENT IN ACCORDANCE WITH FAA, JURISDICTION, AND/OR OTHER LOCAL REQUIREMENTS.
  - ROUTE PROPOSED CABLES ALONG SAME PATH AS EXISTING CABLES AND IN ACCORDANCE WITH STRUCTURAL ANALYSIS. IF ADEQUATE SPACE EXISTS, ROUTE CABLES THROUGH ENTRY PORT HOLE, UP INSIDE OF MONOPOLE, AND THROUGH EXIT PORT HOLE. IF ROUTING OUTSIDE THE MONOPOLE, ATTACH CABLES USING STAND-OFF ADAPTERS MOUNTED TO TOWER USING STAINLESS STEEL BANDING. ADEQUATELY SECURE CABLES USING EITHER APPROPRIATELY SIZED STAINLESS STEEL SNAP-INS OR MOUNTING HARDWARE AND BRACKETS AS SPECIFIED BY CABLE MANUFACTURER.
  - TOWER ELEVATIONS ARE MEASURED FROM TOP OF BASE PLATE TO MATCH STRUCTURAL ANALYSIS. ELEVATIONS DO NOT REFLECT TRUE ABOVE GROUND LEVEL (A.G.L.)
  - TOWER ELEVATION DEPICTION MAY NOT REFLECT ALL EQUIPMENT INCLUDED IN STRUCTURAL ANALYSIS. REFER TO STRUCTURAL ANALYSIS FOR FULL TOWER LOADING.

**1 TOWER ELEVATION**  
 SCALE: N.T.S.

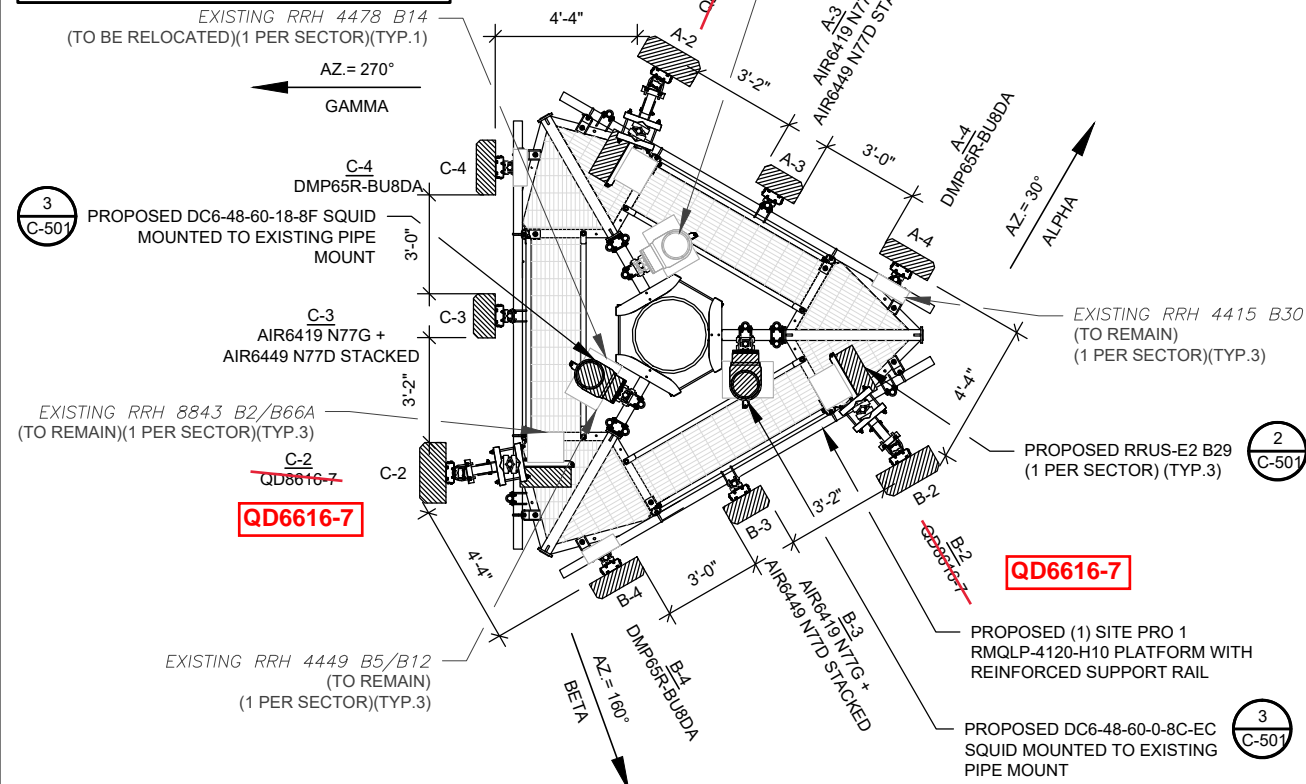
Copyright © 2022 ATC IP, LLC. All Rights Reserved.

EXISTING CONFIGURATIONS ARE BASED ON RFDS. CONTRACTOR TO VERIFY EXISTING CONDITIONS.



1 CURRENT ANTENNA PLAN  
SCALE: N.T.S.

PER MOUNT ANALYSIS COMPLETED BY TELAMON TOWER ENGINEERING PLLC, DATED 03/11/22, THE EXISTING MOUNT CAN NOT ADEQUATELY SUPPORT THE PROPOSED LOADING. THE MOUNT REPLACEMENT PROPOSED IN THE MOUNT ANALYSIS, INCLUDED AT THE END OF THIS PLAN SET, MUST BE INSTALLED PRIOR TO THE INSTALLATION OF THE PROPOSED ANTENNAS AND OTHER EQUIPMENT.



2 FINAL ANTENNA PLAN  
SCALE: N.T.S.

Redlined - C-401, R-601  
Centerline Communications  
Tristen Spear  
12/1/22 8:31 AM

CONTRACTOR SHALL REPOSITION PIPE MAST(S) AS NECESSARY TO ACHIEVE PROPOSED ANTENNA SPACING.

| EXISTING ANTENNA SCHEDULE |      |      |                 |                |                          |        |                                    |            |
|---------------------------|------|------|-----------------|----------------|--------------------------|--------|------------------------------------|------------|
| LOCATION                  |      |      | ANTENNA SUMMARY |                |                          |        | NON ANTENNA SUMMARY                |            |
| SECTOR                    | RAD  | AZ   | POS             | ANTENNA        | BAND                     | STATUS | ADDITIONAL TOWER MOUNTED EQUIPMENT | STATUS     |
| ALPHA                     | 125' | 30°  | A1              | HPA-65R-BUU-H8 | LTE1900                  | RMV    | RRH 8843 B2/B66A                   | RMN        |
|                           |      |      | A2              | 800-10966      | LTE700, AWS              | RMV    | RRH 4478 B14                       | REL        |
|                           |      |      | A3              | 800-10966      | LTE700, 850, WCS, 5G 850 | RMV    | RRH 4449 B5/B12<br>RRH 4415 B30    | RMN<br>RMN |
| BETA                      | 125' | 160° | B1              | HPA-65R-BUU-H8 | LTE1900                  | RMV    | RRH 8843 B2/B66A                   | RMN        |
|                           |      |      | B2              | 800-10966      | LTE700, AWS              | RMV    | RRH 4478 B14                       | REL        |
|                           |      |      | B3              | 800-10966      | LTE700, 850, WCS, 5G 850 | RMV    | RRH 4449 B5/B12<br>RRH 4415 B30    | RMN<br>RMN |
| GAMMA                     | 125' | 270° | C1              | HPA-65R-BUU-H8 | LTE1900                  | RMV    | RRH 8843 B2/B66A                   | RMN        |
|                           |      |      | C2              | 800-10966      | LTE700, AWS              | RMV    | RRH 4478 B14                       | REL        |
|                           |      |      | C3              | 800-10966      | LTE700, 850, WCS, 5G 850 | RMV    | RRH 4449 B5/B12<br>RRH 4415 B30    | RMN<br>RMN |

- NOTES
- CONFIRM WITH AT&T REP FOR APPLICABLE UPDATES/REVISIONS AND MOST RECENT RFDS FOR NSN CONFIGURATION (CONFIG). GC TO CAP ALL UNUSED PORTS.
  - CONFIRM SPACING OF PROPOSED EQUIP DOES NOT CAUSE TOWER CONFLICTS NOR IMPEDE TOWER CLIMBING PEGS.
  - THE ANTENNA ORIENTATION PLAN IS A SCHEMATIC. ATC DID NOT CONFIRM EXISTING SITE CONDITIONS INCLUDING, BUT NOT LIMITED TO, ANTENNA AZIMUTHS, MOUNT CONFIGURATIONS AND TOWER ORIENTATION. SCALES SHOWN ARE FOR REFERENCE ONLY AND EXISTING DIMENSIONS ARE APPROXIMATE. THE CONTRACTOR SHALL VERIFY ALL EXISTING CONDITIONS PRIOR TO INSTALLATION AND NOTIFY ATC OF ANY DISCREPANCIES.
  - CONTRACTOR TO ENSURE PROPER SEPARATION IN ACCORDANCE WITH AT&T'S FIRSTNET REQUIREMENTS (SEE SHEET R-602)

| FINAL ANTENNA SCHEDULE |      |      |                 |                              |                                 |            |   |                   |
|------------------------|------|------|-----------------|------------------------------|---------------------------------|------------|---|-------------------|
| LOCATION               |      |      | ANTENNA SUMMARY |                              |                                 |            | NON ANTENNA SUMMARY                             |                   |
| SECTOR                 | RAD  | AZ   | POS             | ANTENNA                      | BAND                            | STATUS     | ADDITIONAL TOWER MOUNTED EQUIPMENT              | STATUS            |
| ALPHA                  | 125' | 30°  | A2              | QD6616-7                     | LTE700, 1900, AWS, 5G 1900, AWS | ADD        | RRH 4478 B14<br>RRH 8843 B2/B66A<br>RRUS-E2 B29 | RMN<br>RMN<br>ADD |
|                        |      |      | A3              | AIR6449 N77D<br>AIR6419 N77G | 5G CBAND                        | ADD<br>ADD | -   | -                 |
|                        |      |      | A4              | DMP65R-BU8DA                 | LTE700, WCS, 5G850              | ADD        | RRH 4449 B5/B12<br>RRH 4415 B30                 | RMN<br>RMN        |
|                        |      |      | B2              | QD6616-7                     | LTE700, 1900, AWS, 5G 1900, AWS | ADD        | RRH 4478 B14<br>RRH 8843 B2/B66A<br>RRUS-E2 B29 | RMN<br>RMN<br>ADD |
| BETA                   | 125' | 160° | B3              | AIR6449 N77D<br>AIR6419 N77G | 5G CBAND                        | ADD<br>ADD | -   | -                 |
|                        |      |      | B4              | DMP65R-BU8DA                 | LTE700, WCS, 5G850              | ADD        | RRH 4449 B5/B12<br>RRH 4415 B30                 | RMN<br>RMN        |
|                        |      |      | C2              | QD6616-7                     | LTE700, 1900, AWS, 5G 1900, AWS | ADD        | RRH 4478 B14<br>RRH 8843 B2/B66A<br>RRUS-E2 B29 | RMN<br>RMN<br>ADD |
|                        |      |      | C3              | AIR6449 N77D<br>AIR6419 N77G | 5G CBAND                        | ADD<br>ADD | -   | -                 |
| GAMMA                  | 125' | 270° | C2              | QD6616-7                     | LTE700, 1900, AWS, 5G 1900, AWS | ADD        | RRH 4478 B14<br>RRH 8843 B2/B66A<br>RRUS-E2 B29 | RMN<br>RMN<br>ADD |
|                        |      |      | C3              | AIR6449 N77D<br>AIR6419 N77G | 5G CBAND                        | ADD<br>ADD | -   | -                 |
|                        |      |      | C4              | DMP65R-BU8DA                 | LTE700, WCS, 5G850              | ADD        | RRH 4449 B5/B12<br>RRH 4415 B30                 | RMN<br>RMN        |

| EXISTING FIBER DISTRIBUTION/SQUID |        |      |    |       |        | EXISTING CABLING SUMMARY |    |       |        |  |  |
|-----------------------------------|--------|------|----|-------|--------|--------------------------|----|-------|--------|--|--|
| MODEL NUMBER                      | STATUS | COAX | DC | FIBER | STATUS | COAX                     | DC | FIBER | STATUS |  |  |
| DC6-48-6018-8F                    | RMN    | -    | 7  | 2     | RMN    | -                        | -  | -     | -      |  |  |
| DC6-48-6018-8F                    | RMV    | -    | -  | -     | -      | -                        | -  | -     | -      |  |  |

STATUS ABBREVIATIONS  
RMV: TO BE REMOVED  
RMN: TO REMAIN  
REL: TO BE RELOCATED  
ADD: TO BE ADDED

CABLE LENGTHS FOR JUMPERS  
JUNCTION BOX TO RRU: 15'  
RRU TO ANTENNA: 10'

3 EQUIPMENT SCHEDULES

| FINAL FIBER DISTRIBUTION/SQUID |        | FINAL CABLING SUMMARY |    |       |        |
|--------------------------------|--------|-----------------------|----|-------|--------|
| MODEL NUMBER                   | STATUS | COAX                  | DC | FIBER | STATUS |
| DC6-48-6018-8F                 | RMN    | -                     | 7  | 2     | RMN    |
| DC9-48-60-24-8C-EV             | ADD    | -                     | -  | -     | -      |
| DC6-48-60-18-8F                | ADD    | -                     | -  | 1     | ADD    |



**Dewberry**  
Dewberry Engineers Inc.  
99 SUMMER STREET  
SUITE 700  
BOSTON, MA 02110  
PHONE: 617.695.3400  
FAX: 617.695.3310

| REV. | DESCRIPTION | BY | DATE     |
|------|-------------|----|----------|
| A    | PRELIM      | BR | 11/18/21 |
| 0    | FINAL       | VL | 03/16/22 |

ATC SITE NUMBER:  
243036

ATC SITE NAME:  
WEST HAVEN & RT 162 CT

AT&T SITE NAME:  
WEST HAVEN JONES HILL ROAD

SITE ADDRESS:  
668 JONES HILL ROAD  
WEST HAVEN, CT 06516



|              |             |
|--------------|-------------|
| DATE DRAWN:  | 11/18/21    |
| ATC JOB NO:  | 13682841_G5 |
| CUSTOMER ID: | CTL02899    |
| CUSTOMER #:  | 10578274    |

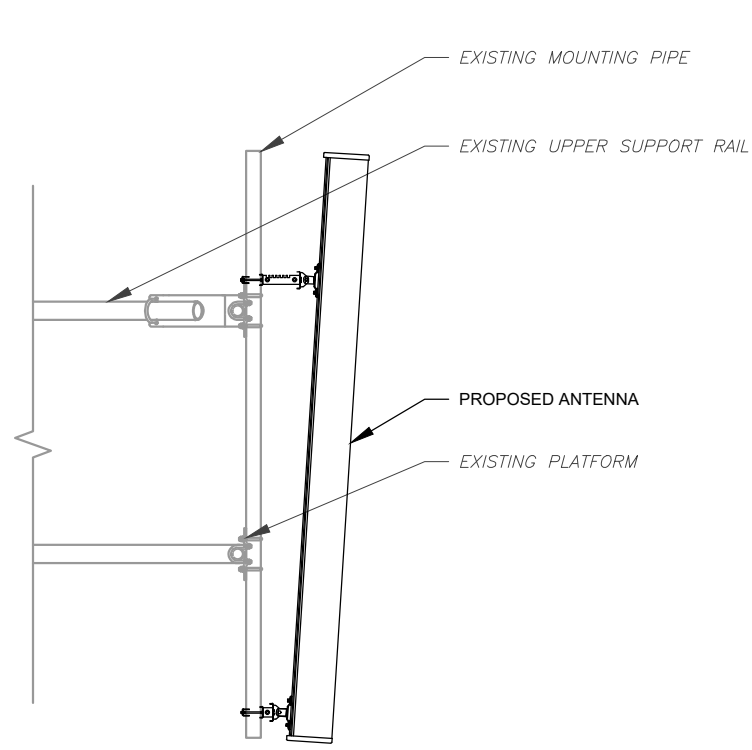
RF SCHEDULE AND  
ANTENNA INSTALLATION

SHEET NUMBER:  
**C-401**

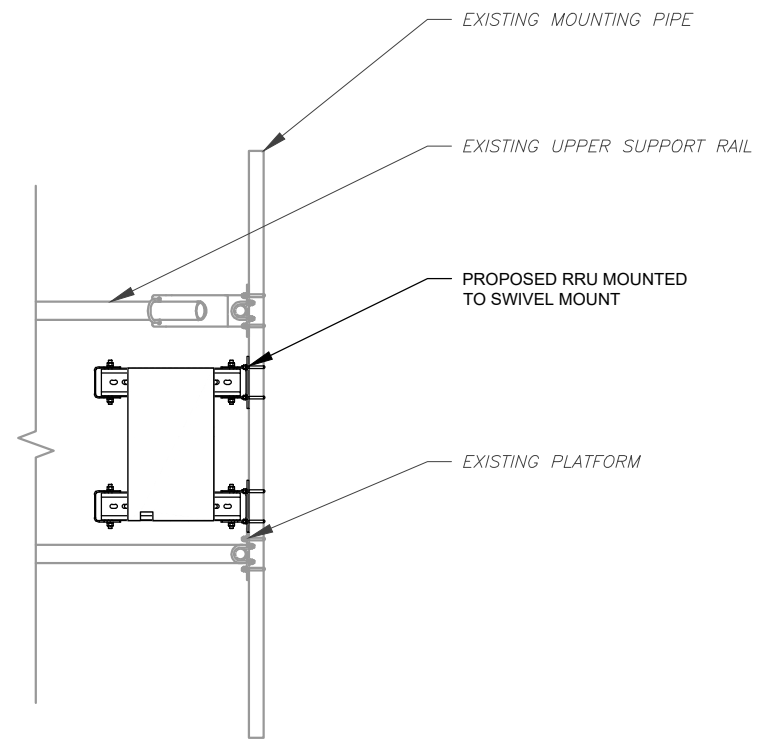
REVISION:  
**0**

Copyright © 2022 ATC IP, LLC. All Rights Reserved.



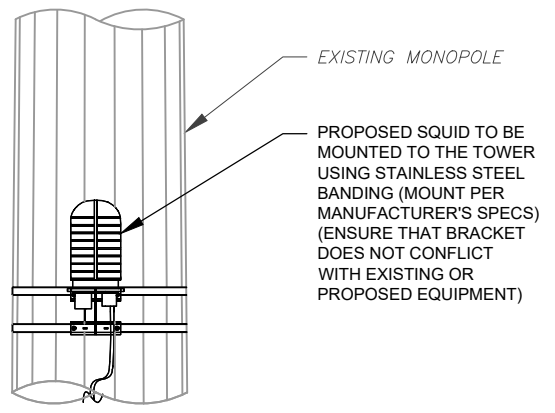


1 ANTENNA DETAIL  
SCALE: N.T.S.

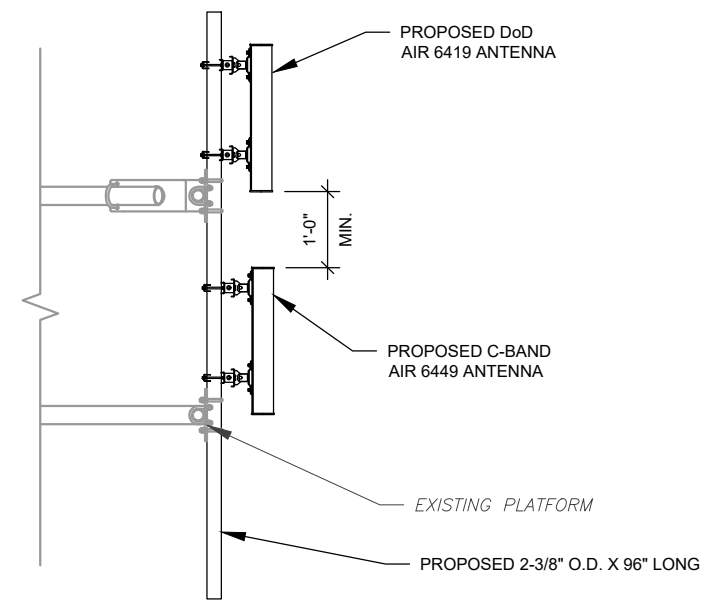


2 PROPOSED RRU MOUNTING DETAIL - TYPICAL  
SCALE: N.T.S.

**AS BUILT**  
Centerline Communications  
Tristen Spear  
12/1/22 8:31 AM



3 PROPOSED SQUID MOUNTING  
SCALE: N.T.S.



4 PROPOSED 5G ANTENNA MOUNTING DETAIL - TYPICAL  
SCALE: N.T.S.



**Dewberry**  
Dewberry Engineers Inc.  
99 SUMMER STREET  
SUITE 700  
BOSTON, MA 02110  
PHONE: 617.695.3400  
FAX: 617.695.3310

| REV. | DESCRIPTION | BY | DATE     |
|------|-------------|----|----------|
| A    | PRELIM      | BR | 11/18/21 |
| 0    | FINAL       | VL | 03/16/22 |
|      |             |    |          |
|      |             |    |          |
|      |             |    |          |

ATC SITE NUMBER:  
243036

ATC SITE NAME:  
WEST HAVEN & RT 162 CT

AT&T SITE NAME:  
WEST HAVEN JONES HILL ROAD

SITE ADDRESS:  
668 JONES HILL ROAD  
WEST HAVEN, CT 06516

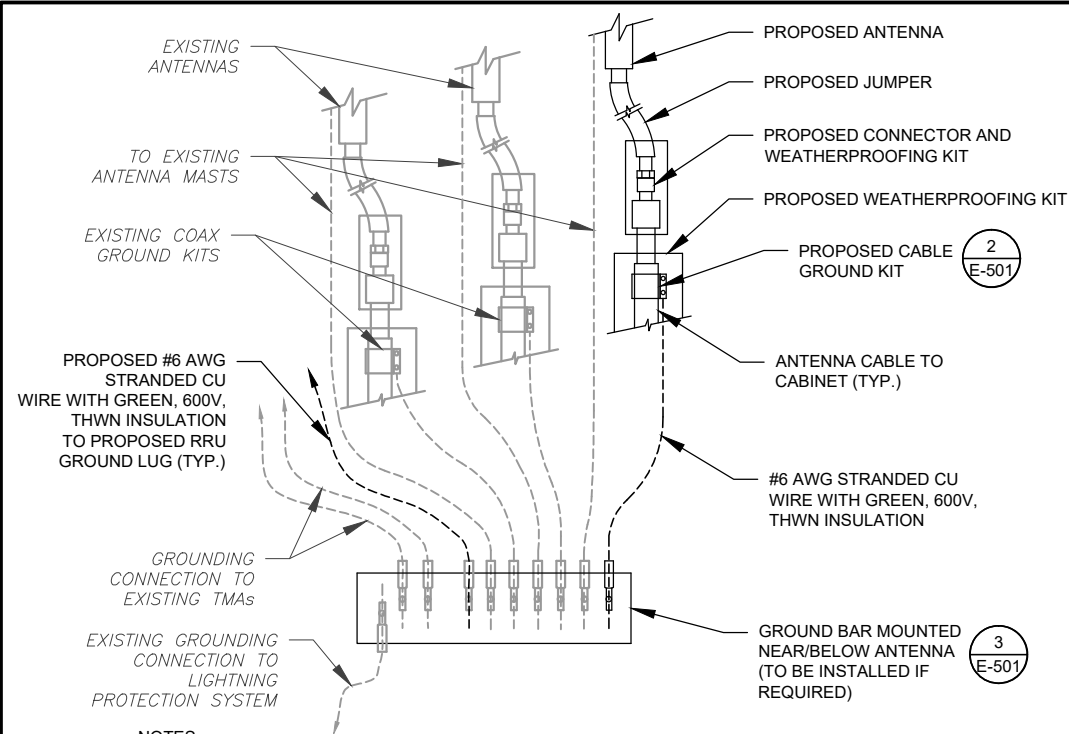


|              |             |
|--------------|-------------|
| DATE DRAWN:  | 11/18/21    |
| ATC JOB NO:  | 13682841_G5 |
| CUSTOMER ID: | CTL02899    |
| CUSTOMER #:  | 10578274    |

**CONSTRUCTION  
DETAILS**

|               |           |
|---------------|-----------|
| SHEET NUMBER: | REVISION: |
| <b>C-501</b>  | <b>0</b>  |

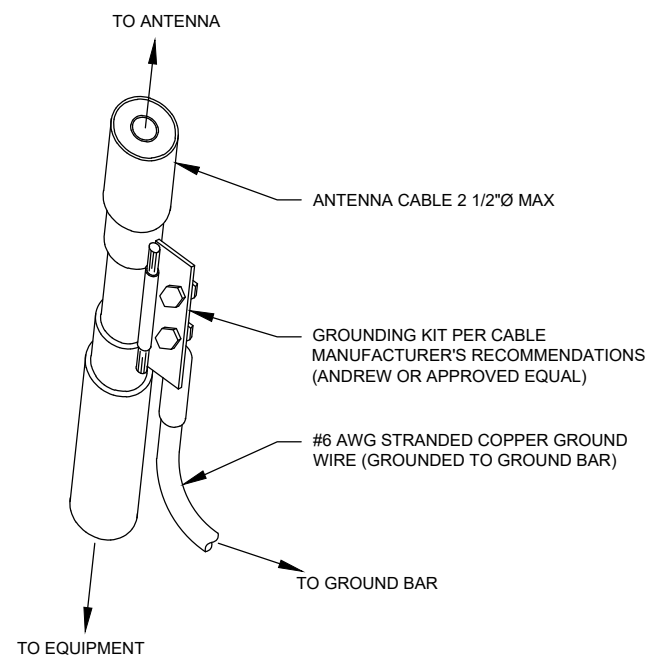
Copyright © 2022 ATC IP, LLC. All Rights Reserved.



**NOTES:**

1. THIS DETAIL IS INTENDED TO SHOW THE GENERAL GROUNDING REQUIREMENTS. SLIGHT ADJUSTMENTS MAY BE REQUIRED BASED ON EXISTING SITE CONDITIONS. THE CONTRACTOR SHALL MAKE FIELD ADJUSTMENTS AS NEEDED AND INFORM THE CONSTRUCTION MANAGER OF ANY CONFLICTS.
2. SITE GROUNDING SHALL COMPLY WITH AT&T GROUNDING STANDARDS, LATEST EDITION, AND COMPLY WITH AT&T GROUNDING CHECKLIST, LATEST VERSION. WHEN NATIONAL AND LOCAL GROUNDING CODES ARE MORE STRINGENT THEY SHALL GOVERN.

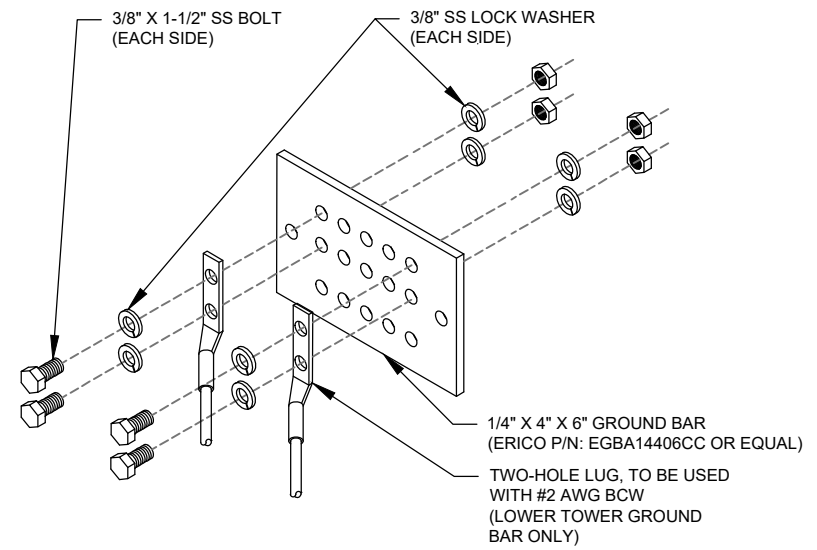
**1** TYPICAL ANTENNA GROUNDING DIAGRAM  
SCALE: N.T.S.



**GROUND KIT NOTES:**

1. DO NOT INSTALL CABLE GROUND KIT AT A BEND AND ALWAYS DIRECT GROUND WIRE DOWN TO GROUND BAR.
2. CONTRACTOR SHALL PROVIDE WEATHERPROOFING KIT (ANDREW PART NUMBER 221213) AND INSTALL/TAPE PER MANUFACTURER'S SPECIFICATIONS.

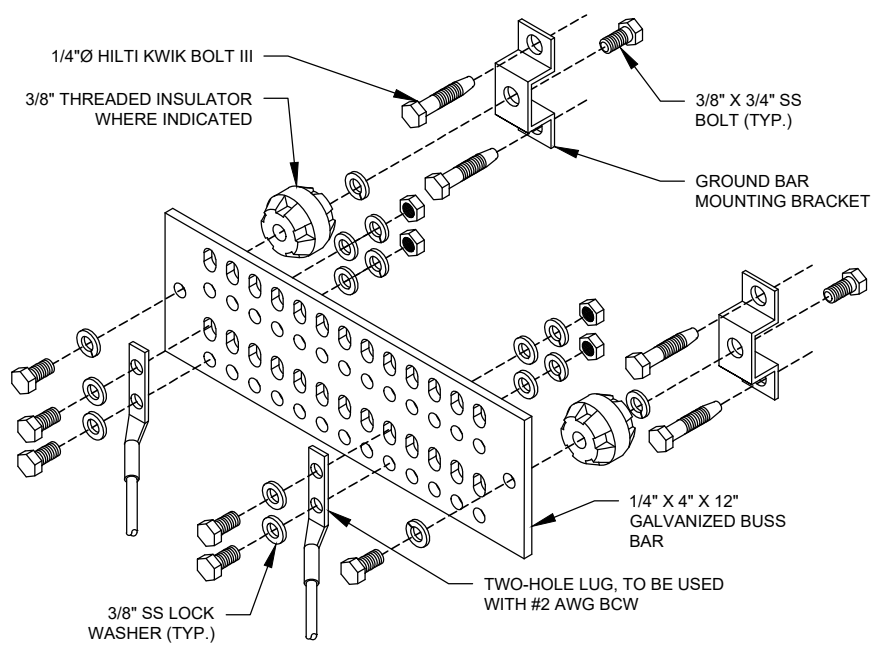
**2** CABLE GROUND KIT CONNECTION DETAIL  
SCALE: N.T.S.



**GROUND BAR NOTES:**

1. GROUND BAR KITS COME WITH ALL HARDWARE, NUTS, BOLTS, WASHERS, ETC. EXCEPT THE STRUCTURAL MOUNTING MEMBER(S).
2. GROUND BAR TO BE BONDED DIRECTLY TO TOWER.

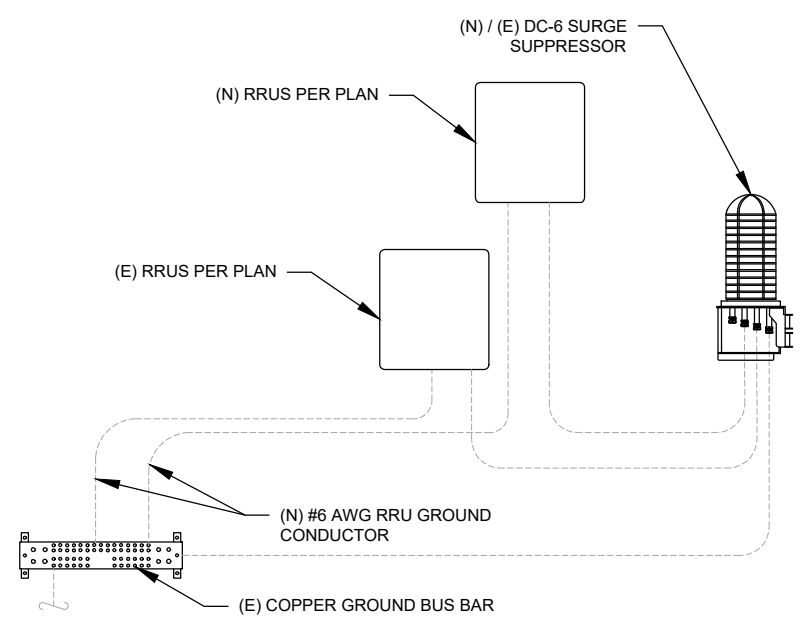
**3** TOWER GROUND BAR DETAIL  
SCALE: N.T.S.



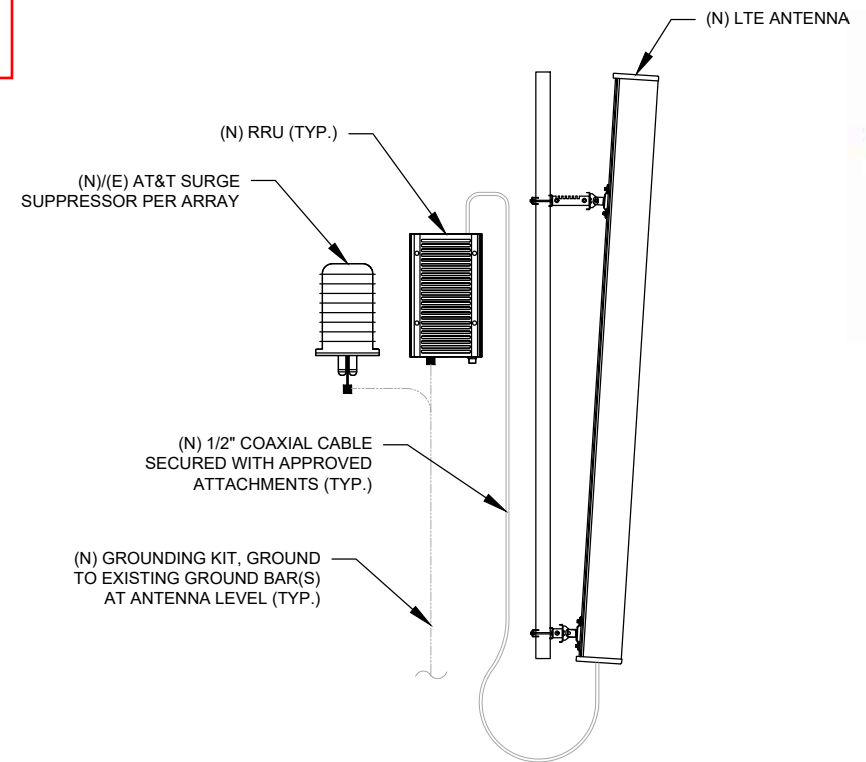
**GROUND BAR NOTES**

1. GROUND KITS COME WITH ALL HARDWARE, NUTS, BOLTS, WASHERS, ETC. EXCEPT THE STRUCTURAL MOUNTING MEMBER(S).
2. GROUND BAR SHALL BE BOLTED TO STRUCTURAL MEMBER OR ANCHORED TO CONCRETE SLAB W/ HILTI KWIK BOLT III.

**4** MAIN GROUND BAR DETAIL  
SCALE: N.T.S.



**5** RRU GROUNDING  
SCALE: N.T.S.



**6** ANTENNA/RRU GROUNDING  
SCALE: N.T.S.

**AS BUILT**  
Centerline Communications  
Tristen Spear  
12/1/22 8:31 AM



**Dewberry**  
Dewberry Engineers Inc.  
99 SUMMER STREET  
SUITE 700  
BOSTON, MA 02110  
PHONE: 617.695.3400  
FAX: 617.695.3310

| REV. | DESCRIPTION | BY | DATE     |
|------|-------------|----|----------|
| A    | PRELIM      | BR | 11/18/21 |
| 0    | FINAL       | VL | 03/16/22 |
|      |             |    |          |
|      |             |    |          |
|      |             |    |          |

ATC SITE NUMBER:  
**243036**

ATC SITE NAME:  
**WEST HAVEN & RT 162 CT**

AT&T SITE NAME:  
**WEST HAVEN JONES HILL ROAD**

SITE ADDRESS:  
668 JONES HILL ROAD  
WEST HAVEN, CT 06516

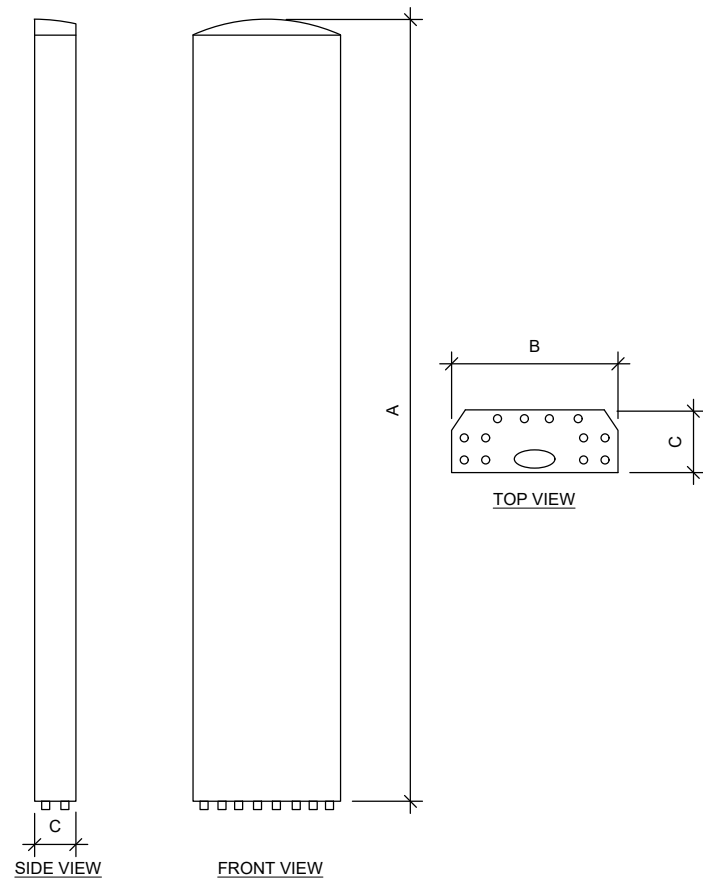


|              |             |
|--------------|-------------|
| DATE DRAWN:  | 11/18/21    |
| ATC JOB NO:  | 13682841_G5 |
| CUSTOMER ID: | CTL02899    |
| CUSTOMER #:  | 10578274    |

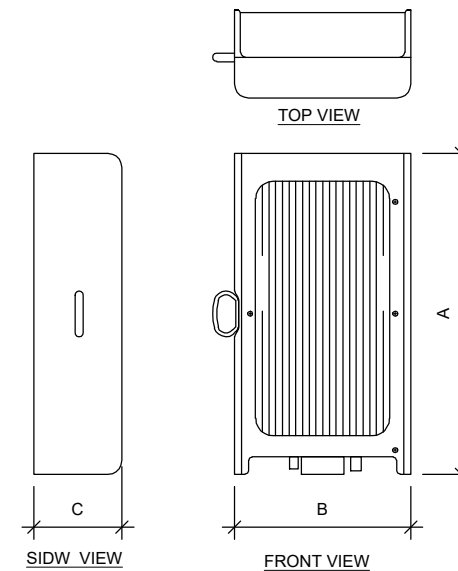
**GROUNDING DETAILS**

|               |           |
|---------------|-----------|
| SHEET NUMBER: | REVISION: |
| <b>E-501</b>  | <b>0</b>  |

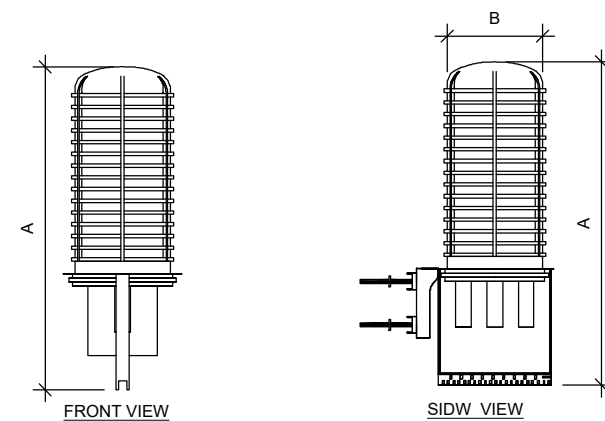
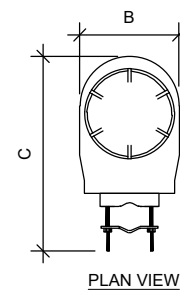
Copyright © 2022 ATC IP, LLC. All Rights Reserved.



| ANTENNA SPECIFICATIONS |       |       |      |              |
|------------------------|-------|-------|------|--------------|
| ANTENNA MODEL          | A     | B     | C    | WEIGHT (LBS) |
| <b>QD6616-7</b>        | 96.0" | 22.0" | 9.6" | 150.0        |
| AIR6449 N77D           | 30.4" | 15.9" | 8.1" | 81.6         |
| AIR6419 N77G           | 15.7" | 30.0" | 6.7" | 70.0         |
| DMP65R-BU8DA           | 96.0" | 20.7" | 7.7" | 95.7         |



| RRU SPECIFICATIONS |       |       |      |              |
|--------------------|-------|-------|------|--------------|
| RRU MODEL          | A     | B     | C    | WEIGHT (LBS) |
| RRUS-E2 B29        | 20.4" | 18.5" | 7.5" | 60.0         |



| RAYCAP SPECIFICATIONS |       |       |       |              |
|-----------------------|-------|-------|-------|--------------|
| RAYCAP MODEL          | A     | B     | C     | WEIGHT (LBS) |
| DC9-48-60-24-8C-EV    | 31.4" | 18.3" | 10.2" | 16.0         |
| DC6-48-60-18-8F       | 23.5" | 9.7"  | 9.7"  | 20.0         |

**Redlined - C-401, R-601  
Centerline Communications  
Tristen Spear  
12/1/22 8:31 AM**

**1 EQUIPMENT SPECIFICATIONS**  
SCALE: N.T.S.



**Dewberry**  
Dewberry Engineers Inc.  
99 SUMMER STREET  
SUITE 700  
BOSTON, MA 02110  
PHONE: 617.695.3400  
FAX: 617.695.3310

ATC SITE NUMBER:  
**243036**

ATC SITE NAME:  
**WEST HAVEN & RT 162 CT**

AT&T SITE NAME:  
**WEST HAVEN JONES HILL ROAD**

SITE ADDRESS:  
668 JONES HILL ROAD  
WEST HAVEN, CT 06516

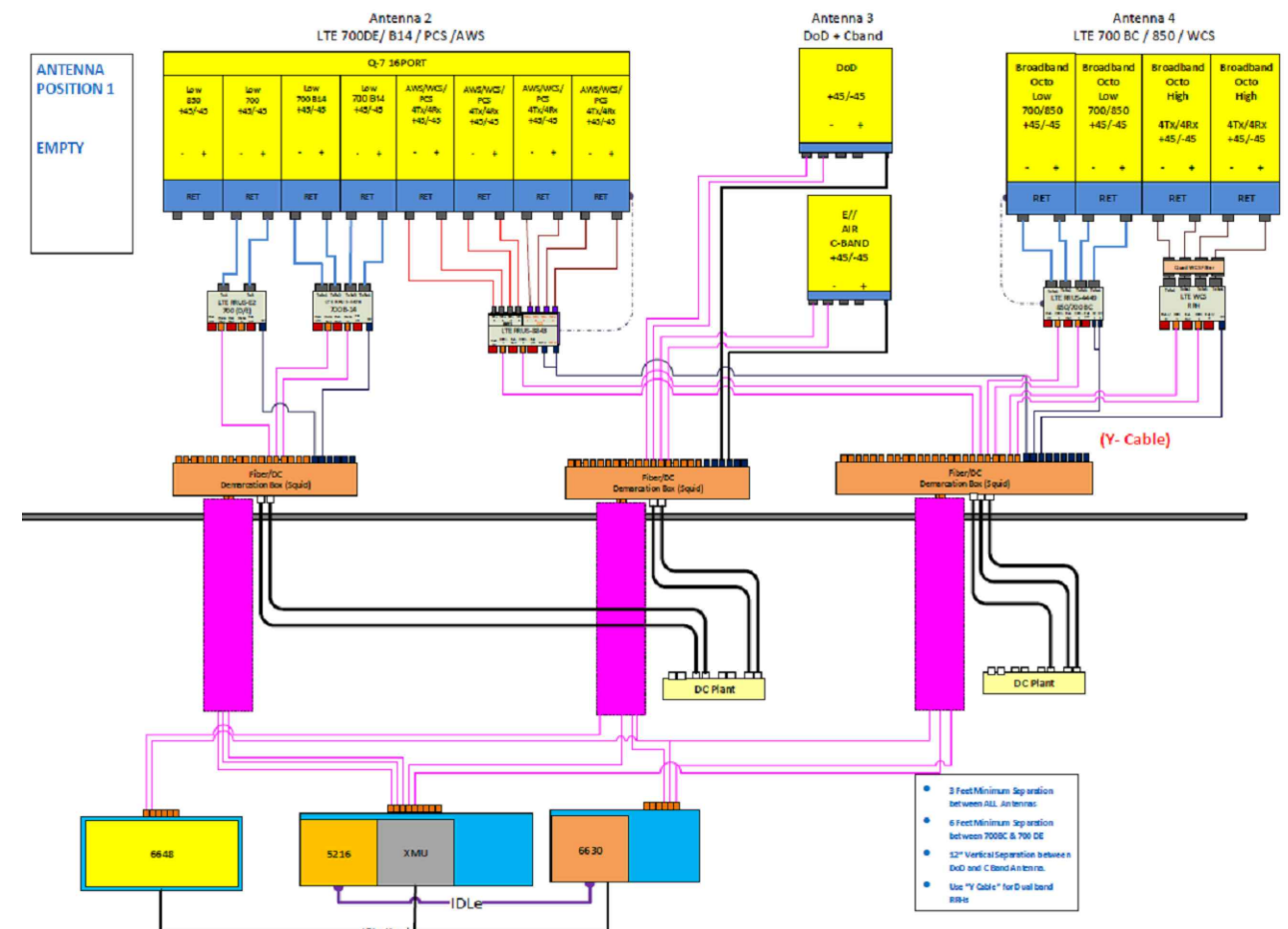
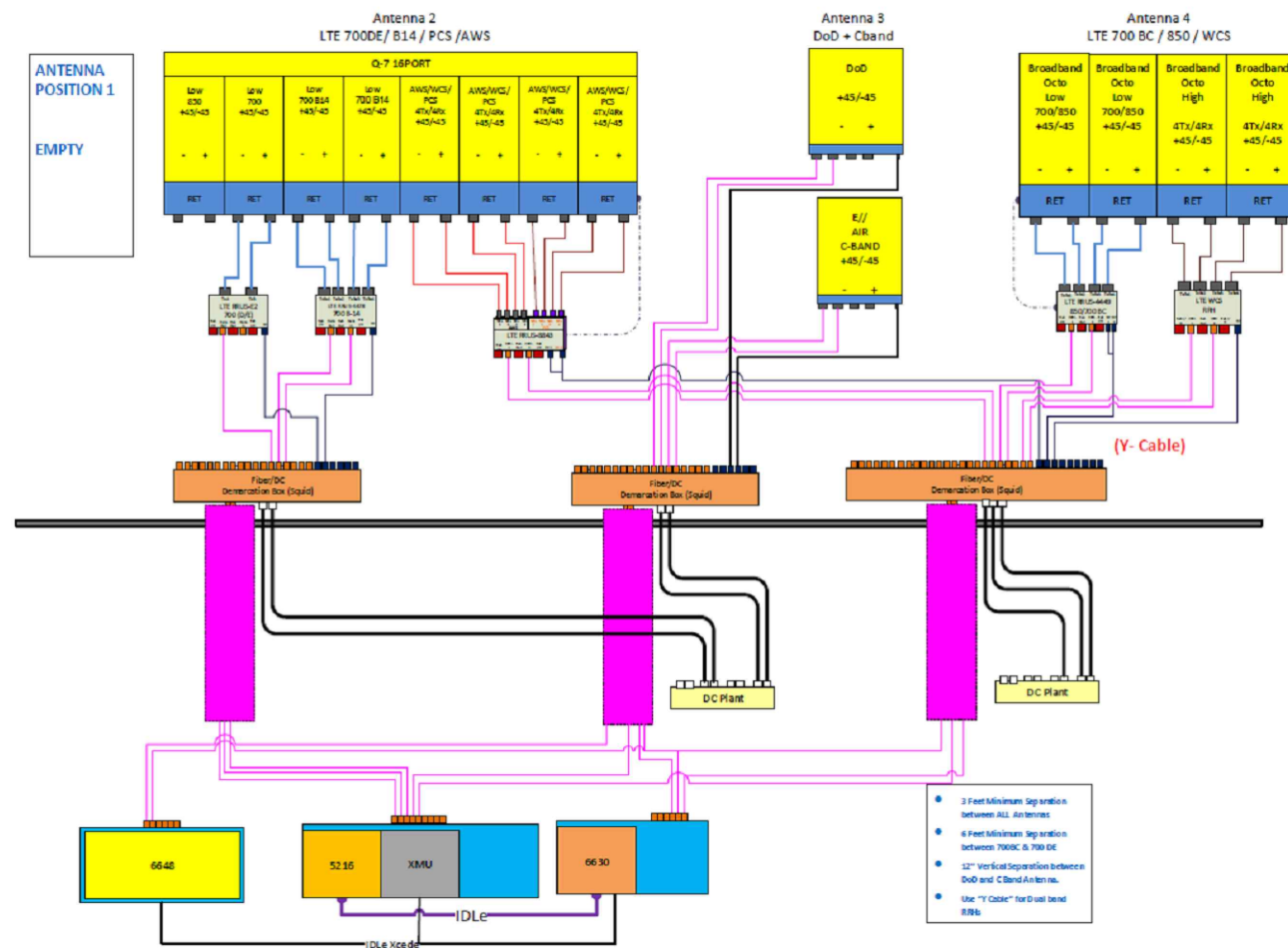
SEAL:



DATE DRAWN: 11/18/21  
ATC JOB NO: 13682841\_G5  
CUSTOMER ID: CTL02899  
CUSTOMER #: 10578274

**SUPPLEMENTAL**

SHEET NUMBER:  
**R-601**



**AS BUILT**  
**Centerline Communications**  
**Tristen Spear**  
**12/1/22 8:31 AM**



**Dewberry**  
 Dewberry Engineers Inc.  
 99 SUMMER STREET  
 SUITE 700  
 BOSTON, MA 02110  
 PHONE: 617.695.3400  
 FAX: 617.695.3310

ATC SITE NUMBER:  
**243036**

ATC SITE NAME:  
**WEST HAVEN & RT 162 CT**

AT&T SITE NAME:  
**WEST HAVEN JONES HILL ROAD**

SITE ADDRESS:  
 668 JONES HILL ROAD  
 WEST HAVEN, CT 06516

SEAL:



|              |             |
|--------------|-------------|
| DATE DRAWN:  | 11/18/21    |
| ATC JOB NO:  | 13682841_G5 |
| CUSTOMER ID: | CTL02899    |
| CUSTOMER #:  | 10578274    |

**SUPPLEMENTAL**

SHEET NUMBER:  
**R-602**

NOTE: THIS SHEET CREATED BY OTHERS AND PROVIDED BY REQUEST OF CUSTOMER WITHOUT EDIT.

Copyright © 2022 ATC IP, LLC. All Rights Reserved.



This report was prepared for American Tower Corporation by



## Antenna Mount Analysis Report

**ATC Site Name** : West Haven & RT 162 CT  
**ATC Asset Number** : 243036  
**Engineering Number** : 13682841\_C8\_04  
**Mount Elevation** : 125 ft  
**Carrier** : AT&T Mobility  
**Carrier Site Name** : MRCTB051490  
**Site Location** : 668 Jones Hill Road  
 West Haven, CT 06516-6311  
 41.25640278, -72.97236111  
**County** : New Haven  
**Date** : March 11, 2022  
**Max Usage** : 73%  
**Result** : Contingent Pass\*  
 \*See conclusion for requirements

**AS BUILT**  
**Centerline Communications**  
**Tristen Spear**  
**12/1/22 8:31 AM**

Prepared By:  
**Anudeep Meruva**  
 Telamon Tower Engineering, PLLC

Reviewed By:  
**William Holt, P.E.**  
 Telamon Tower Engineering, PLLC

  
 Digitally signed by William Holt  
 Date: 2022.03.11 16:52:57  
 -05'00'



telamon • 319 Chapanoke Road, Suite 118, Raleigh, NC 27603 • Engineering@ttepllc.com

Mount Analysis for American Tower March 11, 2022  
 243036 - West Haven & RT 162 CT Telamon Tower Engineering, PLLC Project #41124-13682841\_C8\_04-02-MA

### Introduction

The proposed equipment is to be mounted to the proposed Site Pro 1 RMQLP-4120-H10 Platform w/ Reinforced Support Rail Kit & Cable. This proposed mounting configuration was analyzed using RISA-3D, a commercially available finite element analysis software package. A selection of input and output from our analysis is attached to the end of this report.

### Supporting Documents

|                          |  |
|--------------------------|--|
| <b>Structural Data</b>   | Site Photos dated May 11, 2020<br>Assembly drawings by Site Pro 1, Part Number #RMQLP-4120-H10, dated October 18, 2019<br>Site Pro 1 Part #SQCX4-K, dated November 12, 2018<br>Site Pro 1 Part #DCPxxK, dated January 22, 2013 |
| <b>Previous Analyses</b> | Structural Analysis by American Tower Corporation, Eng. #13693702_C3_03, dated August 12, 2021   |
| <b>Loading Data</b>      | ATC Application, Project #13682841, Rev. 1<br>AT&T RFDS, RFDS ID #4397241, Version 3.00, dated October 25, 2021  |

### Analysis

|                                      |  |
|--------------------------------------|--|
| <b>Codes</b>                         | TIA-222-H  |
| <b>Basic Wind Speed</b>              | 120 mph, $V_{ult}$ (3-Second Gust)                   |
| <b>Basic Wind Speed w/ Ice</b>       | 50 mph (3-Second Gust) w/ 1" Radial Ice (Escalating) |
| <b>Exposure Category</b>             | B  |
| <b>Topographic Factor Procedure:</b> | Method 2   |
| <b>Feature:</b>                      | Flat   |
| <b>Crest Height (H):</b>             | 0 ft   |
| <b>Crest Length (L):</b>             | 0 ft   |
| <b>Risk Category</b>                 | II   |
| <b>Maintenance Live Load</b>         | $L_M$ : 500 lb                                       |
| <b>Spectral Response</b>             | $S_1$ : 0.20; $S_2$ : 0.05; Site Class: D            |

Mount Analysis for American Tower March 11, 2022  
 243036 - West Haven & RT 162 CT Telamon Tower Engineering, PLLC Project #41124-13682841\_C8\_04-02-MA

### Conclusion

Based on the analysis, the antenna mount meets the requirements per the applicable codes listed above. The mounting configuration considered in this analysis will be capable of supporting the referenced loading pursuant to referenced standards once the following scope is executed:

AT&T CONMAT does not have parts which connect HSS tube to pipe and pipe to pipe threaded rod clamp kits. Hence proposing modifications parts which are not listed in the CONMAT approved list.

- Replace existing platform mount with new (1) Site Pro 1 RMQLP-4120-H10 (ANT.44987) Platform w/ Reinforced Support Rail and Cable at 125 ft elevation.
- Connect ACS16-10 Air Craft cables as shown in the following assembly drawings.
- Install (4) Site Pro 1 P30120 mount pipes included in the proposed platform mount. Connect to platform base and support rail with Site Pro 1 SCX4 and Site Pro 1 SCX2 crossover plates included in the proposed mount respectively.
- Install (1) Site Pro 1 P30120 mount pipe at position 2 on each sector (3 total). Connect to proposed primary mount pipe at position 2 using proposed Site Pro 1 DCP18K threaded rod kit (3 total).
- Install (1) 6ft. long, Pipe 2 STD, A53 Gr. B, mount pipes at each sector of the platform mount (3 total) as shown. Connect to stand-off horizontal HSS tubes with (1) Site Pro 1 SQCX4-K crossover plate kits at each sector (3 total).
- Install all proposed antennas such that they are vertically centered between the support rails and face horizontal member.
- All mount pipes are to be installed as shown below in sketches.

If you have any questions or require additional information, please contact American Tower via email at Engineering@americantower.com. Please include the American Tower site name, site number, and engineering number in the subject line for any questions.

NOTE: THIS SHEET WAS CREATED BY OTHERS AND PROVIDED AT THE REQUEST OF THE CUSTOMER WITHOUT EDIT. PLEASE REFERENCE THE MOUNT ANALYSIS REPORT FOR COMPLETE MOUNT ANALYSIS CALCULATIONS AND DETAILS. SUPPLEMENTAL PAGES INCLUDED IN THE CONSTRUCTION DRAWINGS ARE FOR REFERENCE ONLY. GENERAL CONTRACTOR IS TO VERIFY THEY HAVE THE MOST RECENT MOUNT ANALYSIS PRIOR TO CONSTRUCTION.



Dewberry Engineers Inc.  
 99 SUMMER STREET  
 SUITE 700  
 BOSTON, MA 02110  
 PHONE: 617.695.3400  
 FAX: 617.695.3310

ATC SITE NUMBER:  
 243036

ATC SITE NAME:  
 WEST HAVEN & RT 162 CT

AT&T SITE NAME:  
 WEST HAVEN JONES HILL ROAD

SITE ADDRESS:  
 668 JONES HILL ROAD  
 WEST HAVEN, CT 06516

SEAL:



|              |             |
|--------------|-------------|
| DATE DRAWN:  | 11/18/21    |
| ATC JOB NO:  | 13682841_G5 |
| CUSTOMER ID: | CTL02899    |
| CUSTOMER #:  | 10578274    |

SUPPLEMENTAL

SHEET NUMBER:  
**R-603**