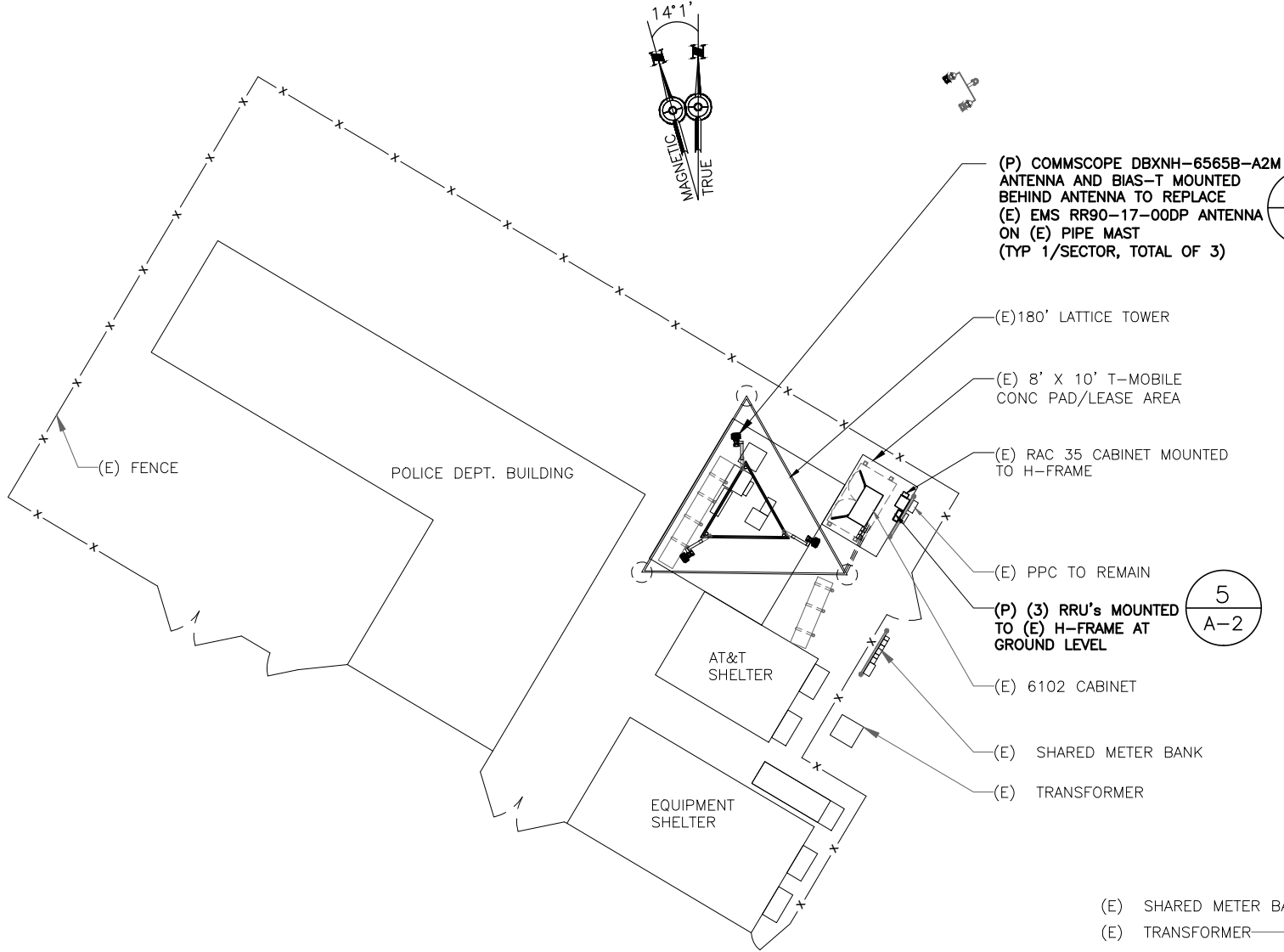
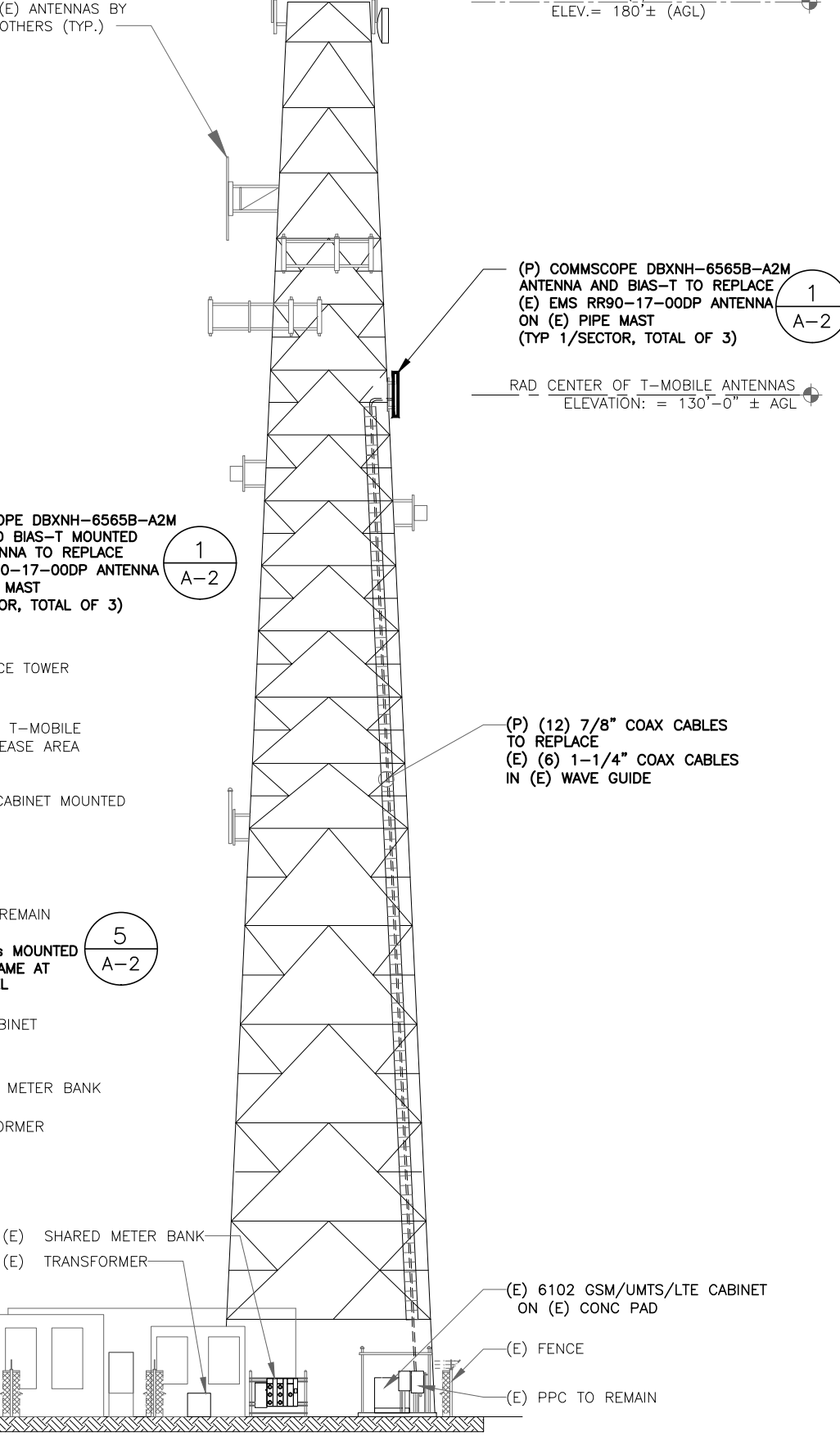


**KEY PLAN**  
SCALE: N.T.S.  
1  
A-1



**SITE PLAN**  
SCALE: 1" = 20'-0" (11x17)  
2  
A-1



**ELEVATION**  
SCALE: 1" = 20'-0" (11x17)  
3  
A-1

**STRUCTURAL REFERENCE**

REFER TO STRUCTURAL ANALYSIS DOCUMENT ENTITLED, "DETAILED STRUCTURAL ANALYSIS AND MODIFICATION OF AN EXISTING 180' SELF SUPPORTING LATTICE TOWER AND FOUNDATION FOR PROPOSED ANTENNA ARRANGEMENT" PREPARED BY AECOM, "T-MOBILE SITE ID CT11033E", DATED MAY 22, 2015.

**GENERAL SITE NOTES**

1. SITE INFORMATION WAS OBTAINED FROM A FIELD INVESTIGATION PERFORMED BY ATLANTIS GROUP, INC. CONTRACTOR TO FIELD VERIFY DIMENSIONS AS NECESSARY BEFORE CONSTRUCTION.
2. THE PROPOSED DEVELOPMENT DOES NOT INCLUDE SIGNS OF ADVERTISING.
3. THE PROPOSED DEVELOPMENT IS UNMANNED AND THEREFORE DOES NOT REQUIRE A MEANS OF WATER SUPPLY OR SEWAGE DISPOSAL.
4. NO LANDSCAPING WORK IS PROPOSED IN CONJUNCTION WITH THIS DEVELOPMENT OTHER THAN THAT WHICH IS SHOWN.
5. THE PROPOSED DEVELOPMENT DOES NOT INCLUDE OUTDOOR STORAGE OR ANY SOLID WASTE RECEPTACLES.
6. UTILITIES SHOWN ON PLAN ARE TAKEN FROM OWNERS RECORDS AND FIELD LOCATION OF VISIBLE SURFACE FEATURES. THE EXISTENCE, EXTENT AND EXACT HORIZONTAL AND VERTICAL LOCATIONS OF UTILITIES HAS NOT BEEN VERIFIED. ANY CONTRACTOR PERFORMING WORK ON THIS SITE MUST CONTACT CALL BEFORE YOU DIG THREE WORKING DAYS PRIOR TO COMMENCING WORK.
7. ALL OBSOLETE OR UNUSED FACILITIES SHALL BE REMOVED WITHIN 12 MONTHS OF CESSATION OF OPERATIONS.

**SITE LEGEND**

- SITE PROPERTY LINE
- STREET OR ROAD
- x-x-x- CHAIN LINK FENCE
- o-o- OPAQUE WOODEN FENCE
- o-o- BOARD ON BOARD FENCE
- ⊗ DECIDUOUS TREES/SHRUBS
- ⊗ EVERGREEN TREES/SHRUBS
- TREE LINE
- ⊗ UTILITY POLE
- (E) EXISTING
- (N) NEW
- (P) PROPOSED
- (F) FUTURE
- ⊗ PROP. LTE ANTENNA
- ⊗ PROP. UMTS/GSM ANTENNA
- ⊗ EX. GSM ANTENNA
- ⊗ EX. UMTS ANTENNA

**T-Mobile**  
T-MOBILE NORTHEAST, LLC  
35 GRIFFIN ROAD SOUTH  
BLOOMFIELD, CT 06002  
OFFICE: (860) 692-7100  
FAX: (860) 692-7159

**ATLANTIS GROUP**  
1340 Centre Street, Suite 212  
Newton Center, MA 02459  
Office: 617-965-0789  
Fax: 617-213-5056

SUBMITTALS		
DATE	DESCRIPTION	REVISION
06/03/15	ISSUED FOR REVIEW	A
06/08/15	REVISION	0

DEPT.	DATE	APP'D	REVISIONS
RFE			
RF MAN.			
ZONING			
OPS			
CONSTR.			
SITE AC.			

PROJECT NO: CT11033E  
DRAWN BY: FG  
CHECKED BY: SM

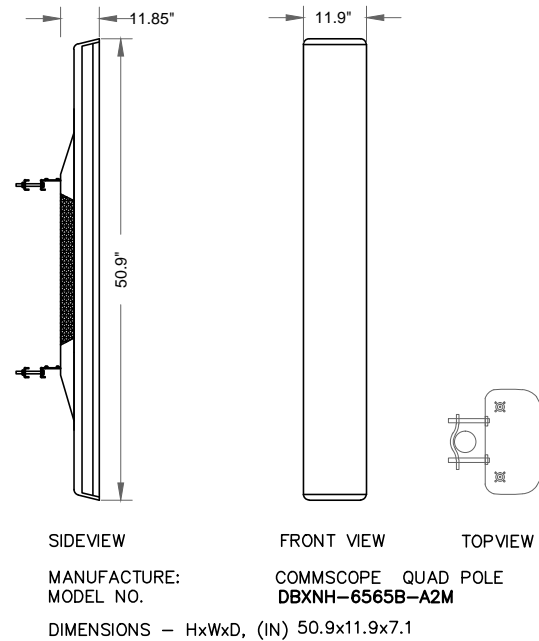
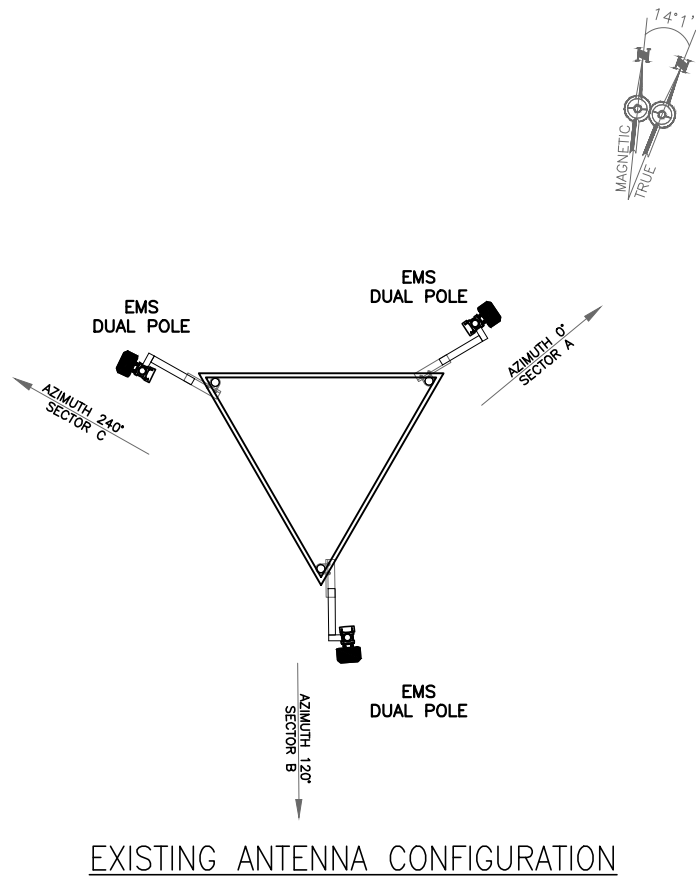
PROFESSIONAL SEAL

THIS DOCUMENT IS THE CREATION, DESIGN, PROPERTY AND COPYRIGHTED WORK OF T-MOBILE. ANY DUPLICATION OR USE WITHOUT EXPRESS WRITTEN CONSENT IS STRICTLY PROHIBITED.

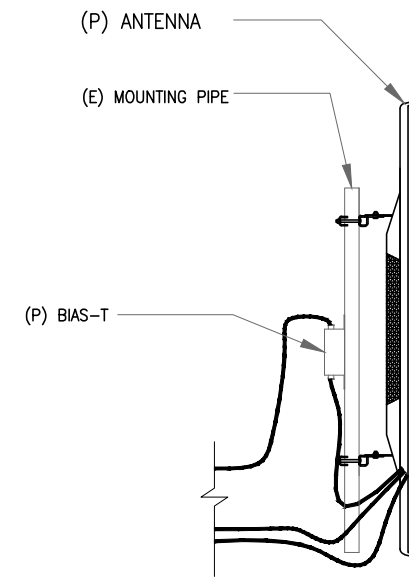
SITE NUMBER  
**CT11033E**  
SITE NAME  
CT STATE POLICE\_1  
SITE ADDRESS  
315 SPENCER PLAINS RD  
WESTBROOK, CT 06498

SHEET TITLE  
SITE PLAN AND ELEVATION

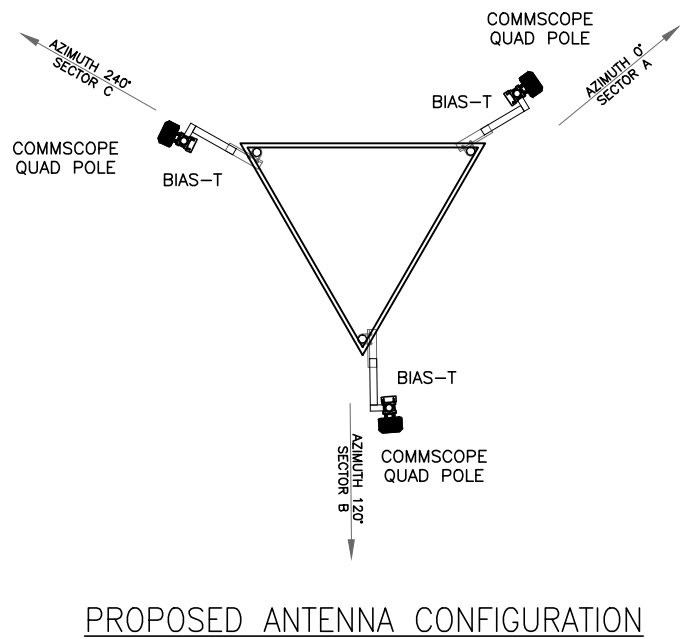
SHEET NUMBER  
**A-1**



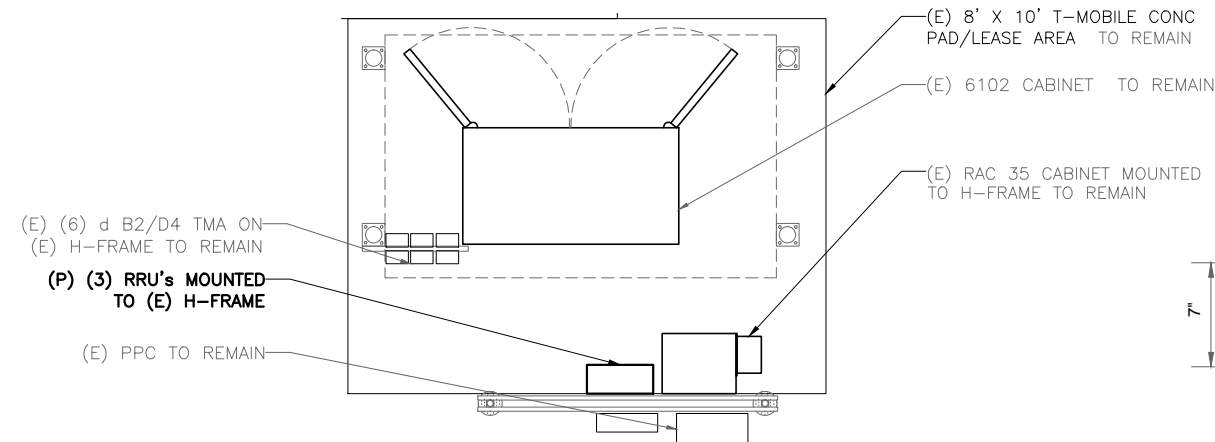
**LTE ANTENNA DETAIL** 2  
A-2  
 SCALE: N.T.S



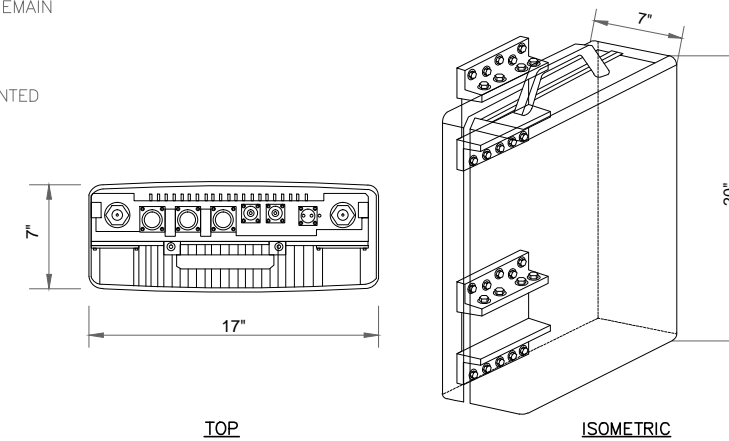
**ANTENNA MOUNT DETAIL** 3  
A-2  
 SCALE: N.T.S



**ANTENNA PLAN** 1  
A-2  
 SCALE: N.T.S



**EQUIPMENT PLAN** 5  
A-2  
 SCALE: 1" = 4'



**RRUS 11 B12 DETAILS** 6  
A-2  
 SCALE: N.T.S

REFER TO STRUCTURAL ANALYSIS DOCUMENT ENTITLED, "DETAILED STRUCTURAL ANALYSIS AND MODIFICATION OF AN EXISTING 180' SELF SUPPORTING LATTICE TOWER AND FOUNDATION FOR PROPOSED ANTENNA ARRANGEMENT " PREPARED BY AECOM, "T-MOBILE SITE ID CT11033E", DATED MAY 22, 2015.

SUBMITTALS		
DATE	DESCRIPTION	REVISION
08/03/15	ISSUED FOR REVIEW	A
08/08/15	REVISION	0

DEPT.	DATE	APP'D	REVISIONS
RFE			
RF MAN.			
ZONING			
OPS			
CONSTR.			
SITE AC.			

PROJECT NO: CT11033E  
 DRAWN BY: FG  
 CHECKED BY: SM

PROFESSIONAL SEAL

THIS DOCUMENT IS THE CREATION, DESIGN, PROPERTY AND COPYRIGHTED WORK OF T-MOBILE. ANY DUPLICATION OR USE WITHOUT EXPRESS WRITTEN CONSENT IS STRICTLY PROHIBITED.

SITE NUMBER  
**CT11033E**  
 SITE NAME  
**CT STATE POLICE\_1**  
 SITE ADDRESS  
 315 SPENCER PLAINS RD  
 WESTBROOK, CT 06498

SHEET TITLE  
**DETAILS**

SHEET NUMBER  
**A-2**