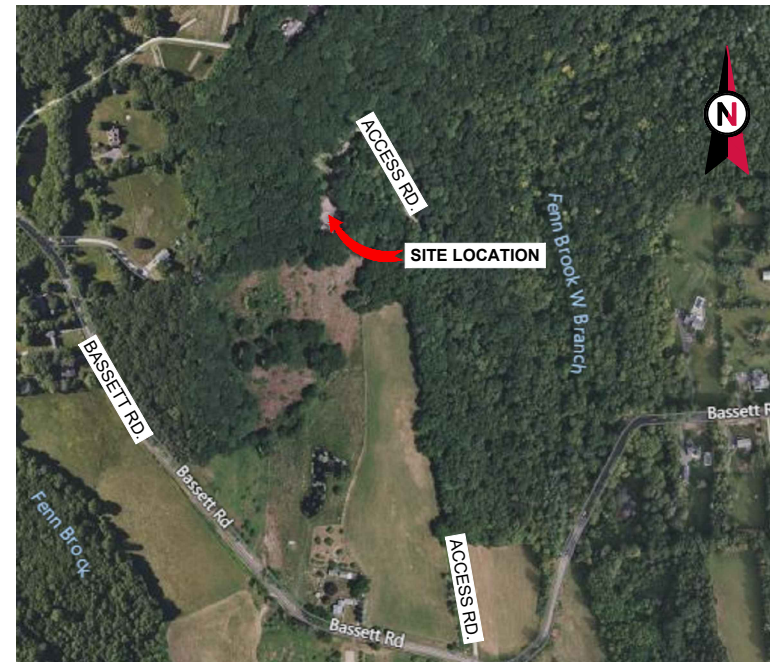


VICINITY MAP



AMERICAN TOWER®

ATC SITE NAME: WATERTOWN CT
 ATC SITE NUMBER: 283424
 VERIZON SITE NAME: WATERTOWN NE CT
 VERIZON SITE NUMBER: 470386
 SITE ADDRESS: 655 BASSETT RD.
 WATERTOWN, CT 06795



LOCATION MAP



Dewberry®
 Dewberry Engineers Inc.
 99 SUMMER STREET
 SUITE 700
 BOSTON, MA 02110
 PHONE: 617.531.0801
 FAX: 617.695.3310

REV.	DESCRIPTION	BY	DATE
A	PRELIM	PMG	05/14/21
B	FINAL	EA	06/15/21

283424

ATC SITE NAME:
 WATERTOWN CT

VERIZON SITE NAME:
 WATERTOWN NE CT

SITE ADDRESS:
 655 BASSETT RD.
 WATERTOWN, CT 06795



DATE DRAWN:	05/14/21
ATC JOB NO:	13668995
CUSTOMER ID:	WATERTOWN NE CT
CUSTOMER #:	470386

TITLE SHEET

SHEET NUMBER:	REVISION:
G-001	0

VERIZON
 5G L-SUB6 - CARRIER ADD DRAWINGS

COMPLIANCE CODE	PROJECT SUMMARY	PROJECT DESCRIPTION	SHEET INDEX										
ALL WORK SHALL BE PERFORMED AND MATERIALS INSTALLED IN ACCORDANCE WITH THE CURRENT EDITIONS OF THE FOLLOWING CODES AS ADOPTED BY THE LOCAL GOVERNMENT AUTHORITIES. NOTHING IN THESE PLANS IS TO BE CONSTRUED TO PERMIT WORK NOT CONFORMING TO THESE CODES. 1. 2018 CONNECTICUT STATE BUILDING CODE-AMENDMENTS TO IBC 2015 2. INTERNATIONAL BUILDING CODE 2015, INTERNATIONAL CODE COUNCIL 3. TIA-222-G-4, STRUCTURAL STANDARD FOR ANTENNA SUPPORTING STRUCTURES AND ANTENNAS 4. ASCE 7-10 MINIMUM DESIGN LOADS FOR BUILDINGS AND OTHER STRUCTURES, AMERICAN SOCIETY OF CIVIL ENGINEERS 5. STEEL CONSTRUCTION MANUAL 14TH EDITION, AMERICAN INSTITUTE OF STEEL CONSTRUCTION 6. CITY/COUNTY ORDINANCES	<u>SITE ADDRESS:</u> 655 BASSETT RD. WATERTOWN, CT 06795 COUNTY: SUFFOLK <u>GEOGRAPHIC COORDINATES:</u> LATITUDE: 41.65707 LONGITUDE: -73.13626 GROUND ELEVATION: 833' AMSL	THE PROPOSED PROJECT INCLUDES MODIFYING GROUND BASED AND TOWER MOUNTED EQUIPMENT AS INDICATED PER BELOW: REMOVE (3) RRH(s) (1) HYBRID CABLE, AND (1) OVP BOX INSTALL (3) ANTENNA(s), (3) DIPLEXER(s), (9) RRH(s), (1) OVP BOX, AND (2) HYBRID CABLE(s) EXISTING (6) ANTENNA(s) TO REMAIN	SHEET NO:	DESCRIPTION:	REV:	DATE:	BY:						
	<u>PROJECT TEAM</u> <table border="0"> <tr> <td><u>TOWER OWNER:</u> AMERICAN TOWER 10 PRESIDENTIAL WAY WOBURN, MA 01801</td> <td><u>APPLICANT:</u> VERIZON WIRELESS 118 FLANDERS ROAD WESTBOROUGH, MA 01581</td> </tr> <tr> <td colspan="2"><u>ENGINEER:</u> DEWBERRY ENGINEERS, INC. 99 SUMMER STREET SUITE 700 BOSTON, MA 02110</td> </tr> <tr> <td colspan="2"><u>PROPERTY OWNER:</u> GUSTAFSON FRANK E (EST) ET AL 655 BASSETT RD WATERTOWN, CT 67951139</td> </tr> </table>	<u>TOWER OWNER:</u> AMERICAN TOWER 10 PRESIDENTIAL WAY WOBURN, MA 01801	<u>APPLICANT:</u> VERIZON WIRELESS 118 FLANDERS ROAD WESTBOROUGH, MA 01581	<u>ENGINEER:</u> DEWBERRY ENGINEERS, INC. 99 SUMMER STREET SUITE 700 BOSTON, MA 02110		<u>PROPERTY OWNER:</u> GUSTAFSON FRANK E (EST) ET AL 655 BASSETT RD WATERTOWN, CT 67951139		1. THE FACILITY IS UNMANNED. 2. A TECHNICIAN WILL VISIT THE SITE APPROXIMATELY ONCE A MONTH FOR ROUTINE INSPECTION AND MAINTENANCE. 3. THE PROJECT WILL NOT RESULT IN ANY SIGNIFICANT LAND DISTURBANCE OR EFFECT OF STORM WATER DRAINAGE. 4. NO SANITARY SEWER, POTABLE WATER OR TRASH DISPOSAL IS REQUIRED. 5. HANDICAP ACCESS IS NOT REQUIRED.	G-001	TITLE SHEET	0	06/15/21	EA
	<u>TOWER OWNER:</u> AMERICAN TOWER 10 PRESIDENTIAL WAY WOBURN, MA 01801	<u>APPLICANT:</u> VERIZON WIRELESS 118 FLANDERS ROAD WESTBOROUGH, MA 01581											
<u>ENGINEER:</u> DEWBERRY ENGINEERS, INC. 99 SUMMER STREET SUITE 700 BOSTON, MA 02110													
<u>PROPERTY OWNER:</u> GUSTAFSON FRANK E (EST) ET AL 655 BASSETT RD WATERTOWN, CT 67951139													
<u>UTILITY COMPANIES</u> POWER COMPANY: N/A PHONE: N/A TELEPHONE COMPANY: N/A PHONE: N/A	<u>PROJECT LOCATION DIRECTIONS</u> FROM DOWNTOWN WATERBURY START OUT GOING WEST ON E MAIN ST TOWARD MAPLE ST. TURN RIGHT ONTO RIVERSIDE ST. MERGE ONTO CT-8 N/JAMES H DARCEY MEMORIAL HWY N TOWARD WATERTOWN / TORRINGTON. TAKE THE CT-262 EXIT, EXIT 37, TOWARD WATERTOWN. TURN LEFT ONTO FROST BRIDGE RD/CT-262. CONTINUE TO FOLLOW CT-262. TURN RIGHT ONTO BUCKINGHAM ST/CT-262. BUCKINGHAM ST/CT-262 BECOMES FERN HILL RD. FERN HILL RD BECOMES SMITH POND RD. TURN RIGHT ONTO LINKFIELD RD 999 LINKFIELD RD IS ON THE LEFT.	C-002	GENERAL NOTES	0	06/15/21	EA							
<u>811</u> Know what's below. Call before you dig.			C-101	DETAILED SITE PLAN	0	06/15/21	EA						
			C-201	TOWER ELEVATION	0	06/15/21	EA						
			C-401	ANTENNA INFORMATION & SCHEDULE	0	06/15/21	EA						
			C-501	CONSTRUCTION DETAILS	0	06/15/21	EA						
			E-501	GROUNDING DETAILS	0	06/15/21	EA						
			R-601	SUPPLEMENTAL									
			R-602	SUPPLEMENTAL									

GENERAL CONSTRUCTION NOTES:

1. OWNER FURNISHED MATERIALS, VERIZON "THE COMPANY" WILL PROVIDE AND THE CONTRACTOR WILL INSTALL
 - A. BTS EQUIPMENT FRAME (PLATFORM) AND ICEBRIDGE SHELTER (GROUND BUILD/CO-LOCATE ONLY)
 - B. AC/TELCO INTERFACE BOX (PPC)
 - C. ICE BRIDGE (CABLE TRAY WITH COVER) (GROUND BUILD/CO-LOCATE ONLY, GC TO FURNISH AND INSTALL FOR ROOFTOP INSTALLATION)
 - D. TOWERS, MONOPOLES
 - E. TOWER LIGHTING
 - F. GENERATORS & LIQUID PROPANE TANK
 - G. ANTENNA STANDARD BRACKETS, FRAMES AND PIPES FOR MOUNTING
 - H. ANTENNAS (INSTALLED BY OTHERS)
 - I. TRANSMISSION LINE
 - J. TRANSMISSION LINE JUMPERS
 - K. TRANSMISSION LINE CONNECTORS WITH WEATHERPROOFING KITS
 - L. TRANSMISSION LINE GROUND KITS
 - M. HANGERS
 - N. HOISTING GRIPS
 - O. BTS EQUIPMENT
2. THE CONTRACTOR IS RESPONSIBLE TO PROVIDE ALL OTHER MATERIALS FOR THE COMPLETE INSTALLATION OF THE SITE INCLUDING, BUT NOT LIMITED TO, SUCH MATERIALS AS FENCING, STRUCTURAL STEEL SUPPORTING SUB-FRAME FOR PLATFORM, ROOFING LABOR AND MATERIALS, GROUNDING RINGS, GROUNDING WIRES, COPPER-CLAD OR XIT CHEMICAL GROUND ROD(S), BUSS BARS, TRANSFORMERS AND DISCONNECT SWITCHES WHERE APPLICABLE, TEMPORARY ELECTRICAL POWER, CONDUIT, LANDSCAPING COMPOUND STONE, CRANES, CORE DRILLING, SLEEPERS AND RUBBER MATTING, REBAR, CONCRETE CAISSONS, PADS AND/OR AUGER MOUNTS, MISCELLANEOUS FASTENERS, CABLE TRAYS, NON-STANDARD ANTENNA FRAMES AND ALL OTHER MATERIAL AND LABOR REQUIRED TO COMPLETE THE JOB ACCORDING TO THE DRAWINGS AND SPECIFICATIONS. IT IS THE POSITION OF VERIZON TO APPLY FOR PERMITTING AND CONTRACTOR RESPONSIBLE FOR PICKUP AND PAYMENT OF REQUIRED PERMITS.
3. ALL WORK SHALL CONFORM TO ALL CURRENT APPLICABLE FEDERAL, STATE, AND LOCAL CODES, INCLUDING ANSII/EIA/TIA-222, AND COMPLY WITH ATC CONSTRUCTION SPECIFICATIONS.
4. CONTRACTOR SHALL CONTACT LOCAL 811 FOR IDENTIFICATION OF UNDERGROUND UTILITIES PRIOR TO START OF CONSTRUCTION.
5. CONTRACTOR SHALL BE RESPONSIBLE FOR COORDINATING ALL REQUIRED INSPECTIONS.
6. ALL DIMENSIONS TO, OF, AND ON EXISTING BUILDINGS, DRAINAGE STRUCTURES, AND SITE IMPROVEMENTS SHALL BE VERIFIED IN FIELD BY CONTRACTOR WITH ALL DISCREPANCIES REPORTED TO THE ENGINEER.
7. DO NOT CHANGE SIZE OR SPACING OF STRUCTURAL ELEMENTS.
8. DETAILS SHOWN ARE TYPICAL; SIMILAR DETAILS APPLY TO SIMILAR CONDITIONS UNLESS OTHERWISE NOTED.
9. THESE DRAWINGS DO NOT INCLUDE NECESSARY COMPONENTS FOR CONSTRUCTION SAFETY WHICH SHALL BE THE SOLE RESPONSIBILITY OF THE CONTRACTOR.
10. CONTRACTOR SHALL BRACE STRUCTURES UNTIL ALL STRUCTURAL ELEMENTS NEEDED FOR STABILITY ARE INSTALLED. THESE ELEMENTS ARE AS FOLLOWS: LATERAL BRACING, ANCHOR BOLTS, ETC.
11. CONTRACTOR SHALL DETERMINE EXACT LOCATION OF EXISTING UTILITIES, GROUNDS DRAINS, DRAIN PIPES, VENTS, ETC. BEFORE COMMENCING WORK.
12. INCORRECTLY FABRICATED, DAMAGED, OR OTHERWISE MISFITTING OR NONCONFORMING MATERIALS OR CONDITIONS SHALL BE REPORTED TO THE VERIZON REP PRIOR TO REMEDIAL OR CORRECTIVE ACTION. ANY SUCH REMEDIAL ACTION SHALL REQUIRE WRITTEN APPROVAL BY THE VERIZON REP PRIOR TO PROCEEDING.
13. EACH CONTRACTOR SHALL COOPERATE WITH THE VERIZON REP, AND COORDINATE HIS WORK WITH THE WORK OF OTHERS.
14. CONTRACTOR SHALL REPAIR ANY DAMAGE CAUSED BY CONSTRUCTION OF THIS PROJECT TO MATCH EXISTING PRE-CONSTRUCTION CONDITIONS TO THE SATISFACTION OF THE VERIZON CONSTRUCTION MANAGER.
15. ALL CABLE/CONDUIT ENTRY/EXIT PORTS SHALL BE WEATHERPROOFED DURING INSTALLATION USING A SILICONE SEALANT.
16. WHERE EXISTING CONDITIONS DO NOT MATCH THOSE SHOWN IN THIS PLAN SET, CONTRACTOR SHALL NOTIFY THE VERIZON REP AND ENGINEER OF RECORD IMMEDIATELY.
17. CONTRACTOR SHALL ENSURE ALL SUBCONTRACTORS ARE PROVIDED WITH A COMPLETE AND CURRENT SET OF DRAWINGS AND SPECIFICATIONS FOR THIS PROJECT.
18. CONTRACTOR SHALL REMOVE ALL RUBBISH AND DEBRIS FROM THE SITE AT THE END OF EACH DAY.
19. CONTRACTOR SHALL COORDINATE WORK SCHEDULE WITH AMERICAN TOWER CORPORATION (ATC) AND TAKE PRECAUTIONS TO MINIMIZE IMPACT AND DISRUPTION OF OTHER OCCUPANTS OF THE FACILITY.
20. CONTRACTOR SHALL FURNISH VERIZON AND AMERICAN TOWER CORPORATION (ATC) WITH A PDF MARKED UP AS-BUILT SET OF DRAWINGS UPON COMPLETION OF WORK.
21. PRIOR TO SUBMISSION OF BID, CONTRACTOR SHALL COORDINATE WITH VERIZON REP TO DETERMINE WHAT, IF ANY, ITEMS WILL BE PROVIDED. ALL ITEMS NOT PROVIDED SHALL BE PROVIDED AND INSTALLED BY THE CONTRACTOR. CONTRACTOR WILL INSTALL ALL ITEMS PROVIDED.

22. PRIOR TO SUBMISSION OF BID, CONTRACTOR SHALL COORDINATE WITH VERIZON REP TO DETERMINE IF ANY PERMITS WILL BE OBTAINED BY CONTRACTOR. ALL REQUIRED PERMITS NOT OBTAINED BY VERIZON MUST BE OBTAINED, AND PAID FOR, BY THE CONTRACTOR.
23. CONTRACTOR SHALL INSTALL ALL SITE SIGNAGE IN ACCORDANCE WITH VERIZON SPECIFICATIONS AND REQUIREMENTS.
24. CONTRACTOR SHALL SUBMIT ALL SHOP DRAWINGS TO VERIZON FOR REVIEW AND APPROVAL PRIOR TO FABRICATION.
25. ALL EQUIPMENT SHALL BE INSTALLED ACCORDING TO MANUFACTURER'S SPECIFICATIONS AND LOCATED ACCORDING TO VERIZON SPECIFICATIONS, AND AS SHOWN IN THESE PLANS.
26. THE CONTRACTOR SHALL SUPERVISE AND DIRECT THE PROJECT DESCRIBED HEREIN. THE CONTRACTOR SHALL BE SOLELY RESPONSIBLE FOR ALL THE CONSTRUCTION MEANS, METHODS, TECHNIQUES, SEQUENCES AND PROCEDURES AND FOR COORDINATING ALL PORTIONS OF THE WORK UNDER THE CONTRACT.
27. CONTRACTOR SHALL NOTIFY VERIZON REP A MINIMUM OF 48 HOURS IN ADVANCE OF POURING CONCRETE OR BACKFILLING ANY UNDERGROUND UTILITIES, FOUNDATIONS OR SEALING ANY WALL, FLOOR OR ROOF PENETRATIONS FOR ENGINEERING REVIEW AND APPROVAL.
28. CONTRACTOR SHALL BE RESPONSIBLE FOR SITE SAFETY INCLUDING COMPLIANCE WITH ALL APPLICABLE OSHA STANDARDS AND RECOMMENDATIONS AND SHALL PROVIDE ALL NECESSARY SAFETY DEVICES INCLUDING PPE AND PPM AND CONSTRUCTION DEVICES SUCH AS WELDING AND FIRE PREVENTION, TEMPORARY SHORING, SCAFFOLDING, TRENCH BOXES/SLOPING, BARRIERS, ETC.
29. THE CONTRACTOR SHALL PROTECT AT HIS OWN EXPENSE, ALL EXISTING FACILITIES AND SUCH OF HIS NEW WORK LIABLE TO INJURY DURING THE CONSTRUCTION PERIOD. ANY DAMAGE CAUSED BY NEGLIGENCE ON THE PART OF THIS CONTRACTOR OR HIS REPRESENTATIVES, OR BY THE ELEMENTS DUE TO NEGLIGENCE ON THE PART OF THIS CONTRACTOR OR HIS REPRESENTATIVES, EITHER TO THE EXISTING WORK, OR TO HIS WORK OR THE WORK OF ANY OTHER CONTRACTOR, SHALL BE REPAIRED AT HIS EXPENSE TO THE OWNER'S SATISFACTION.
30. ALL WORK SHALL BE INSTALLED IN A FIRST CLASS, NEAT AND WORKMANLIKE MANNER BY MECHANICS SKILLED IN THE TRADE INVOLVED. THE QUALITY OF WORKMANSHIP SHALL BE SUBJECT TO THE APPROVAL OF THE VERIZON REP. ANY WORK FOUND BY THE VERIZON REP TO BE OF INFERIOR QUALITY AND/OR WORKMANSHIP SHALL BE REPLACED AND/OR REWORKED AT CONTRACTOR EXPENSE UNTIL APPROVAL IS OBTAINED.
31. IN ORDER TO ESTABLISH STANDARDS OF QUALITY AND PERFORMANCE, ALL TYPES OF MATERIALS LISTED HEREINAFTER BY MANUFACTURER'S NAMES AND/OR MANUFACTURER'S CATALOG NUMBER SHALL BE PROVIDED BY THESE MANUFACTURERS AS SPECIFIED.
32. VERIZON FURNISHED EQUIPMENT SHALL BE PICKED-UP AT THE VERIZON WAREHOUSE, NO LATER THAN 48HR AFTER BEING NOTIFIED INSURED, STORED, UNCRATE, PROTECTED AND INSTALLED BY THE CONTRACTOR WITH ALL APPURTENANCES REQUIRED TO PLACE THE EQUIPMENT IN OPERATION, READY FOR USE. THE CONTRACTOR SHALL BE RESPONSIBLE FOR THE EQUIPMENT AFTER PICKING IT UP.
33. VERIZON OR HIS ARCHITECT/ENGINEER RESERVES THE RIGHT TO REJECT ANY EQUIPMENT OR MATERIALS WHICH, IN HIS OWN OPINION ARE NOT IN COMPLIANCE WITH THE CONTRACT DOCUMENTS, EITHER BEFORE OR AFTER INSTALLATION AND THE EQUIPMENT SHALL BE REPLACED WITH EQUIPMENT CONFORMING TO THE REQUIREMENTS OF THE CONTRACT DOCUMENTS BY THE CONTRACTOR AT NO COST TO VERIZON OR THEIR ARCHITECT/ENGINEER.

SPECIAL CONSTRUCTION

ANTENNA INSTALLATION NOTES:

1. WORK INCLUDED:
 - A. ANTENNA AND COAXIAL CABLES ARE FURNISHED BY VERIZON UNDER A SEPARATE CONTRACT. THE CONTRACTOR SHALL ASSIST ANTENNA INSTALLATION CONTRACTOR IN TERMS OF COORDINATION AND SITE ACCESS. ERECTION SUBCONTRACTOR SHALL BE RESPONSIBLE FOR THE PROTECTION OF PERSONNEL AND
 - B. INSTALL ANTENNA AS INDICATE ON DRAWINGS AND VERIZON SPECIFICATIONS.
 - C. INSTALL GALVANIZED STEEL ANTENNA MOUNTS AS INDICATED ON DRAWINGS
 - D. INSTALL FURNISHED GALVANIZED STEEL OR ALUMINUM WAVEGUIDE.
 - E. CONTRACTOR SHALL PROVIDE FOUR (4) SETS OF SWEEP TESTS USING ANRITZU-PACKARD 8713B RF SCALAR NETWORK ANALYZER. SUBMIT FREQUENCY DOMAIN REFLECTOMETER(FDR) TESTS RESULTS TO THE PROJECT MANAGER. SWEEP TESTS SHALL BE AS PER ATTACHED RFS "MINIMUM FIELD TESTING RECOMMENDED FOR ANTENNA AND HELIAX COAXIAL CABLE SYSTEMS" DATED 10/5/93. TESTING SHALL BE PERFORMED BY AN INDEPENDENT TESTING SERVICE AND BE BOUND AND SUBMITTED WITHIN ONE WEEK OF WORK COMPLETION.
 - F. INSTALL COAXIAL CABLES AND TERMINATING BETWEEN ANTENNAS AND EQUIPMENT PER MANUFACTURER'S RECOMMENDATIONS. WEATHERPROOF ALL CONNECTIONS BETWEEN THE ANTENNA AND EQUIPMENT PER MANUFACTURER'S REQUIREMENTS. TERMINATE ALL COAXIAL CABLE THREE (3) FEET IN EXCESS OF ENTRY PORT LOCATION UNLESS OTHERWISE STATED.
 - G. ANTENNA AND COAXIAL CABLE GROUNDING:
2. ALL EXTERIOR #6 GREED GROUND WIRE "DAISY CHAIN" CONNECTIONS ARE TO BE WEATHER SEALED WITH RFS CONNECTORS/SPLICE WEATHERPROOFING KIT #221213 OR EQUAL.
3. ALL COAXIAL CABLE GROUNDING KITS ARE TO BE INSTALLED ON STRAIGHT RUNS OF COAXIAL CABLE (NOT WITHIN BENDS)

ALL DISCREPANCIES FROM WHAT IS SHOWN ON THESE CONSTRUCTION DRAWINGS SHALL BE COMMUNICATED TO ATC ENGINEERING IMMEDIATELY FOR CORRECTION OR RE-DESIGN. FAILURE TO COMMUNICATE DIRECTLY WITH ATC ENGINEERING OR ANY CHANGES FROM THE DESIGN CONDUCTED WITHOUT PRIOR APPROVAL FROM ATC ENGINEERING SHALL BE THE SOLE RESPONSIBILITY OF THE GENERAL CONTRACTOR.



AMERICAN TOWER®



Dewberry®
Dewberry Engineers Inc.
99 SUMMER STREET
SUITE 700
BOSTON, MA 02110
PHONE: 617.531.0801
FAX: 617.695.3310

REV.	DESCRIPTION	BY	DATE
A	PRELIM	PMG	05/14/21
0	FINAL	EA	06/15/21

283424

ATC SITE NAME:
WATERTOWN CT

VERIZON SITE NAME:
WATERTOWN NE CT

SITE ADDRESS:
655 BASSETT RD.
WATERTOWN, CT 06795



DATE DRAWN:	05/14/21
ATC JOB NO:	13668995
CUSTOMER ID:	WATERTOWN NE CT
CUSTOMER #:	470386

GENERAL NOTES

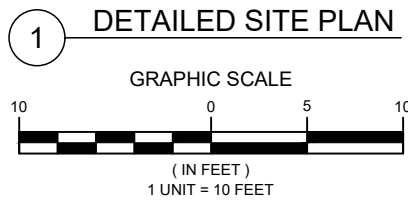
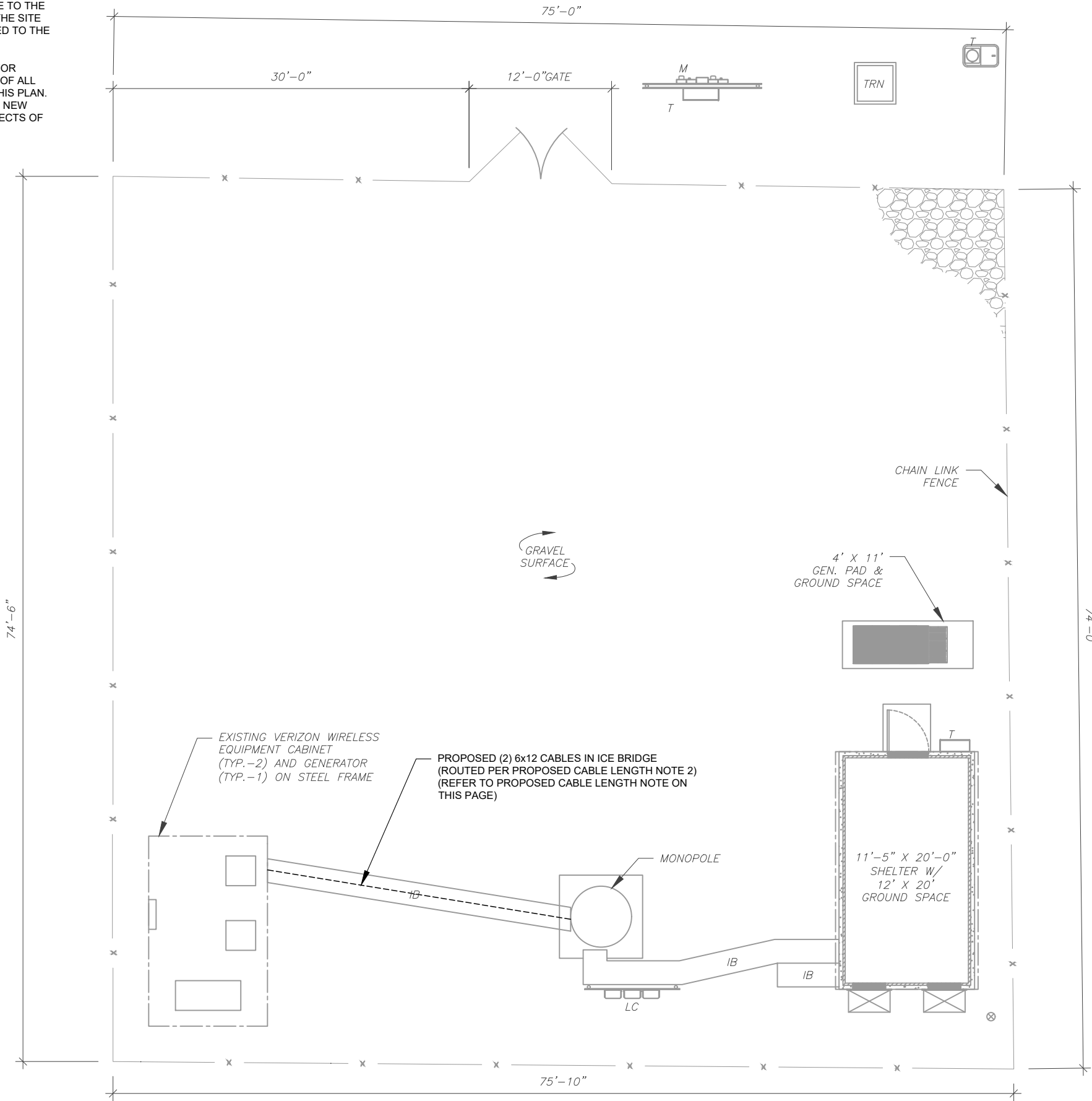
SHEET NUMBER: G-002	REVISION: 0
-------------------------------	-----------------------

SITE PLAN NOTES:

1. THIS SITE PLAN REPRESENTS THE BEST PRESENT KNOWLEDGE AVAILABLE TO THE ENGINEER AT THE TIME OF THIS DESIGN. THE CONTRACTOR SHALL VISIT THE SITE PRIOR TO CONSTRUCTION AND VERIFY ALL EXISTING CONDITIONS RELATED TO THE SCOPE OF WORK FOR THIS PROJECT.
2. ICE BRIDGE, CABLE LADDER, COAX PORT, AND COAX CABLE ARE SHOWN FOR REFERENCE ONLY. CONTRACTOR SHALL CONFIRM THE EXACT LOCATION OF ALL PROPOSED AND EXISTING EQUIPMENT AND STRUCTURES DEPICTED ON THIS PLAN. BEFORE UTILIZING EXISTING CABLE SUPPORTS, COAX PORTS, INSTALLING NEW PORTS OR ANY OTHER EQUIPMENT, CONTRACTOR SHALL VERIFY ALL ASPECTS OF THE COMPONENTS MEET THE ATC SPECIFICATIONS.
3. NO ELECTRICAL SCOPE IS INCLUDED IN THIS PROJECT.

LEGEND	
⊗	GROUNDING TEST WELL
ATS	AUTOMATIC TRANSFER SWITCH
B	BOLLARD
CSC	CELL SITE CABINET
D	DISCONNECT
E	ELECTRICAL
F	FIBER
GEN	GENERATOR
G	GENERATOR RECEPTACAL
HH, V	HAND HOLE, VAULT
IB	ICE BRIDGE
K	KENTROX BOX
LC	LIGHTING CONTROL
M	METER
PB	PULL BOX
PP	POWER POLE
T	TELCO
TRN	TRANSFORMER
x	CHAINLINK FENCE

- PROPOSED CABLE LENGTH:**
1. ESTIMATED LENGTH OF PROPOSED CABLE IS **163'**. ESTIMATED LENGTH OF CABLE WAS PROVIDED BY CUSTOMER OR CALCULATED BY ADDING THE RAD CENTER AND THE DISTANCE FROM THE SHELTER ENTRY PLATE TO THE TOWER (ALONG THE ICE BRIDGE) AND A SAFETY FACTOR MEASUREMENT OF 15% (OF THE TWO PREVIOUS VALUES), CDS DEFER TO GREATEST CABLE LENGTH.
 2. ROUTE PROPOSED CABLES ALONG SAME PATH AS EXISTING CABLES AND IN ACCORDANCE WITH STRUCTURAL ANALYSIS. WHERE POSSIBLE UTILIZE EXISTING CABLE SUPPORT STRUCTURES AS PROVIDED FOR CARRIER TO ADEQUATELY SECURE CABLES, USING EITHER APPROPRIATELY SIZED STAINLESS STEEL SNAP-INS OR MOUNTING HARDWARE AND BRACKETS AS SPECIFIED BY CABLE MANUFACTURER. OTHERWISE, ATTACH CABLES TO HORIZONTAL OR DIAGONAL TOWER MEMBERS USING PROPOSED STAINLESS STEEL ADAPTERS (DO NOT ATTACH TO TOWER LEG).



American Tower

Dewberry
Dewberry Engineers Inc.
99 SUMMER STREET
SUITE 700
BOSTON, MA 02110
PHONE: 617.531.0801
FAX: 617.695.3310

REV.	DESCRIPTION	BY	DATE
A	PRELIM	PMG	05/14/21
0	FINAL	EA	06/15/21

283424

ATC SITE NAME:
WATERTOWN CT

VERIZON SITE NAME:
WATERTOWN NE CT

SITE ADDRESS:
655 BASSETT RD.
WATERTOWN, CT 06795



DATE DRAWN:	05/14/21
ATC JOB NO:	13668995
CUSTOMER ID:	WATERTOWN NE CT
CUSTOMER #:	470386

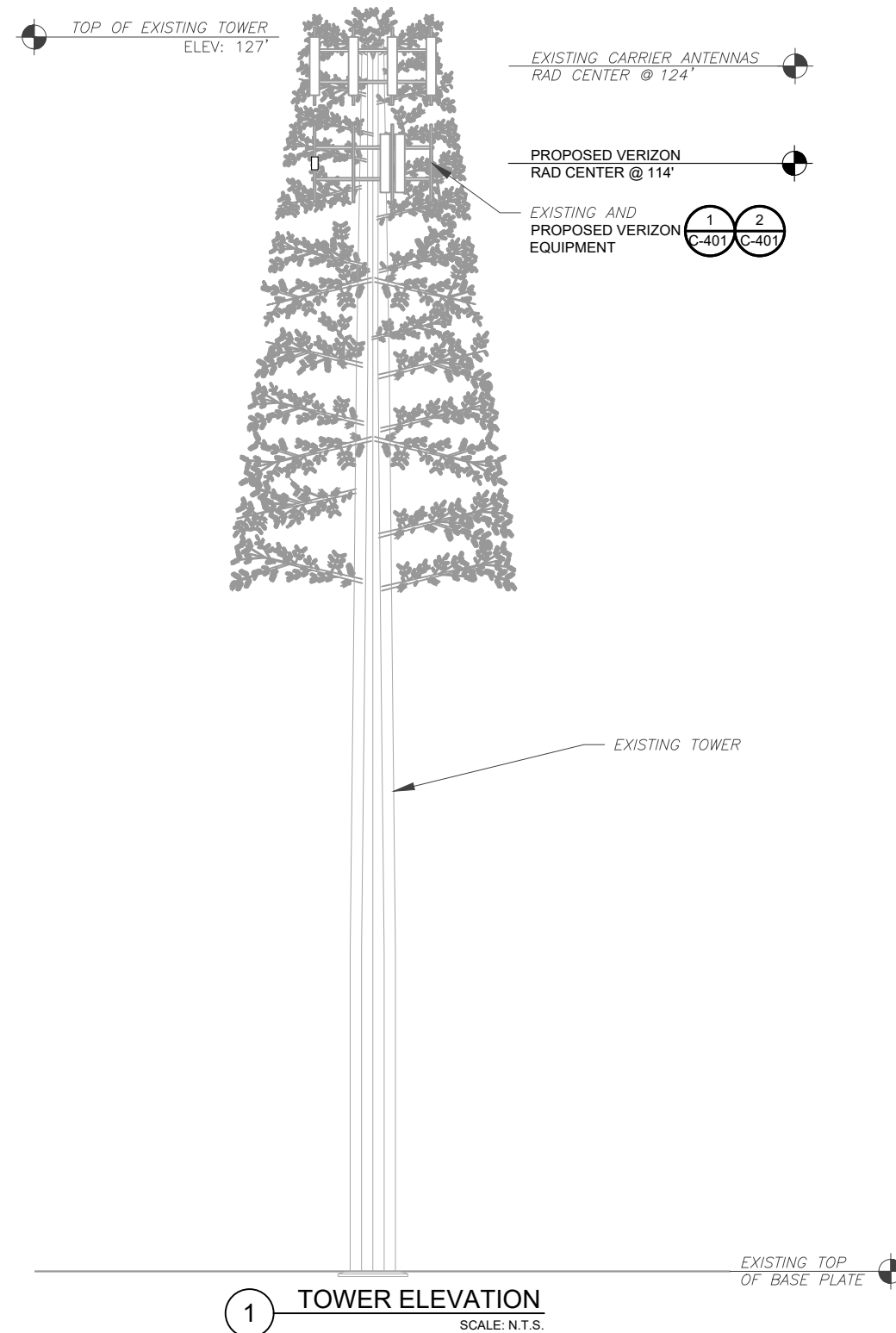
DETAILED SITE PLAN	
SHEET NUMBER:	REVISION:
C-101	0

Copyright © 2021 ATC-IP LLC. All Rights Reserved.



Dewberry Engineers Inc.
 99 SUMMER STREET
 SUITE 700
 BOSTON, MA 02110
 PHONE: 617.531.0801
 FAX: 617.695.3310

PER MOUNT ANALYSIS COMPLETED BY MASER CONSULTING, DATED 05/19/21, THE EXISTING MOUNT CAN ADEQUATELY SUPPORT THE PROPOSED LOADING.



1 TOWER ELEVATION
 SCALE: N.T.S.

- TOWER NOTE:**
- IT IS THE CONTRACTOR'S RESPONSIBILITY TO CONFIRM WITH THE PROJECT MANAGER THAT THEY HAVE THE MOST RECENT VERSION OF THE STRUCTURAL ANALYSIS BEFORE COMMENCING WORK. EXISTING AND PROPOSED TOWER APPURTENANCES, MOUNTS, AND ANTENNAS ARE SHOWN BASED ON THE STRUCTURAL ANALYSIS.
 - WHERE APPLICABLE, ALL NEW ANTENNAS, EQUIPMENT, MOUNTS, CABLING, ETC. SHALL BE PAINTED/SOCKED TO MATCH EXISTING EQUIPMENT IN ACCORDANCE WITH FAA, JURISDICTION, AND/OR OTHER LOCAL REQUIREMENTS.
 - ROUTE PROPOSED CABLES ALONG SAME PATH AS EXISTING CABLES AND IN ACCORDANCE WITH STRUCTURAL ANALYSIS. IF ADEQUATE SPACE EXISTS, ROUTE CABLES THROUGH ENTRY PORT HOLE, UP INSIDE OF MONOPOLE, AND THROUGH EXIT PORT HOLE. IF ROUTING OUTSIDE THE MONOPOLE, ATTACH CABLES USING STAND-OFF ADAPTERS MOUNTED TO TOWER USING STAINLESS STEEL BANDING. ADEQUATELY SECURE CABLES USING EITHER APPROPRIATELY SIZED STAINLESS STEEL SNAP-INS OR MOUNTING HARDWARE AND BRACKETS AS SPECIFIED BY CABLE MANUFACTURER.
 - TOWER ELEVATIONS ARE MEASURED FROM TOP OF BASE PLATE TO MATCH STRUCTURAL ANALYSIS. ELEVATIONS DO NOT REFLECT TRUE ABOVE GROUND LEVEL (A.G.L.)

REV.	DESCRIPTION	BY	DATE
A	PRELIM	PMG	05/14/21
0	FINAL	EA	06/15/21

283424
 ATC SITE NAME:
WATERTOWN CT
 VERIZON SITE NAME:
WATERTOWN NE CT
 SITE ADDRESS:
 655 BASSETT RD.
 WATERTOWN, CT 06795



DATE DRAWN:	05/14/21
ATC JOB NO:	13668995
CUSTOMER ID:	WATERTOWN NE CT
CUSTOMER #:	470386

TOWER ELEVATION

SHEET NUMBER: C-201	REVISION: 0
-------------------------------	-----------------------



Dewberry Engineers Inc.
 99 SUMMER STREET
 SUITE 700
 BOSTON, MA 02110
 PHONE: 617.531.0801
 FAX: 617.695.3310

REV.	DESCRIPTION	BY	DATE
A	PRELIM	PMG	05/14/21
0	FINAL	EA	06/15/21

283424
 ATC SITE NAME:
WATERTOWN CT
 VERIZON SITE NAME:
WATERTOWN NE CT
 SITE ADDRESS:
 655 BASSETT RD.
 WATERTOWN, CT 06795

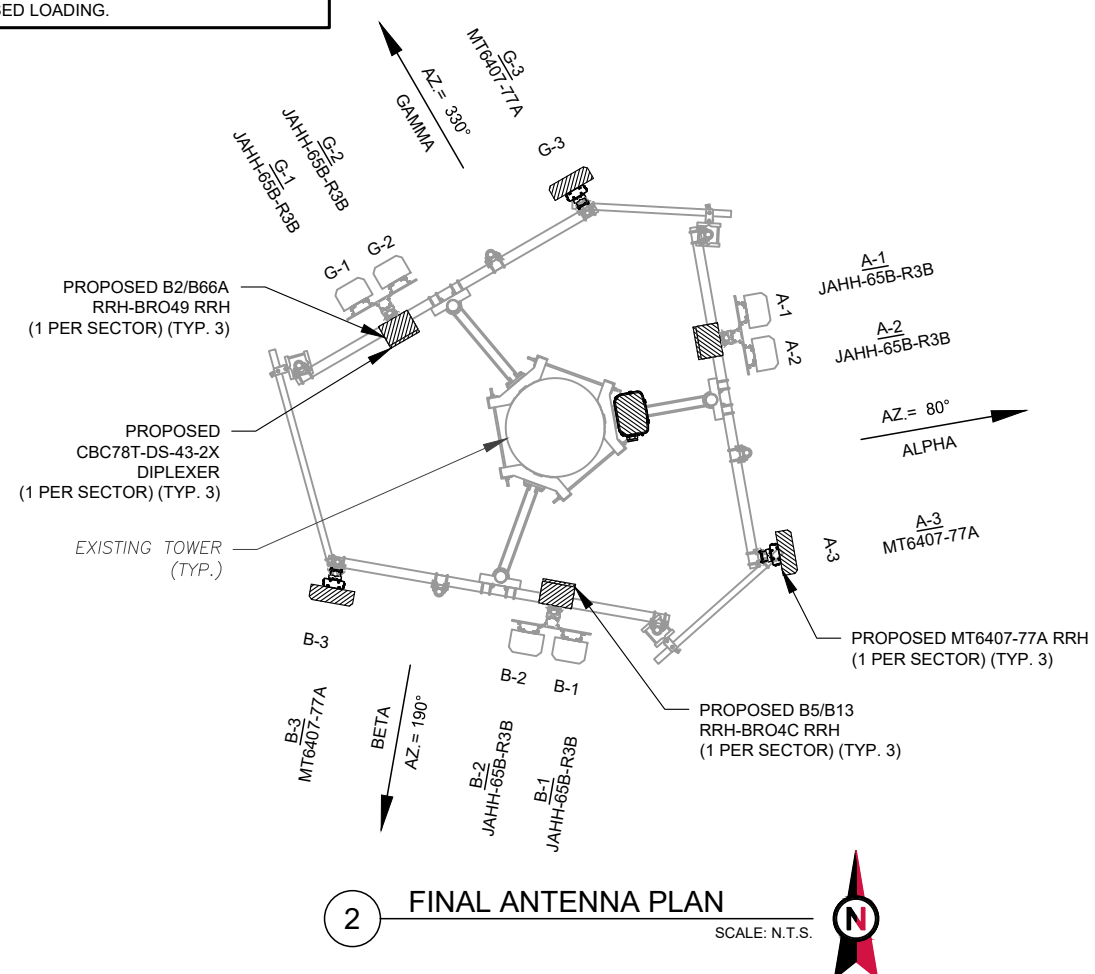
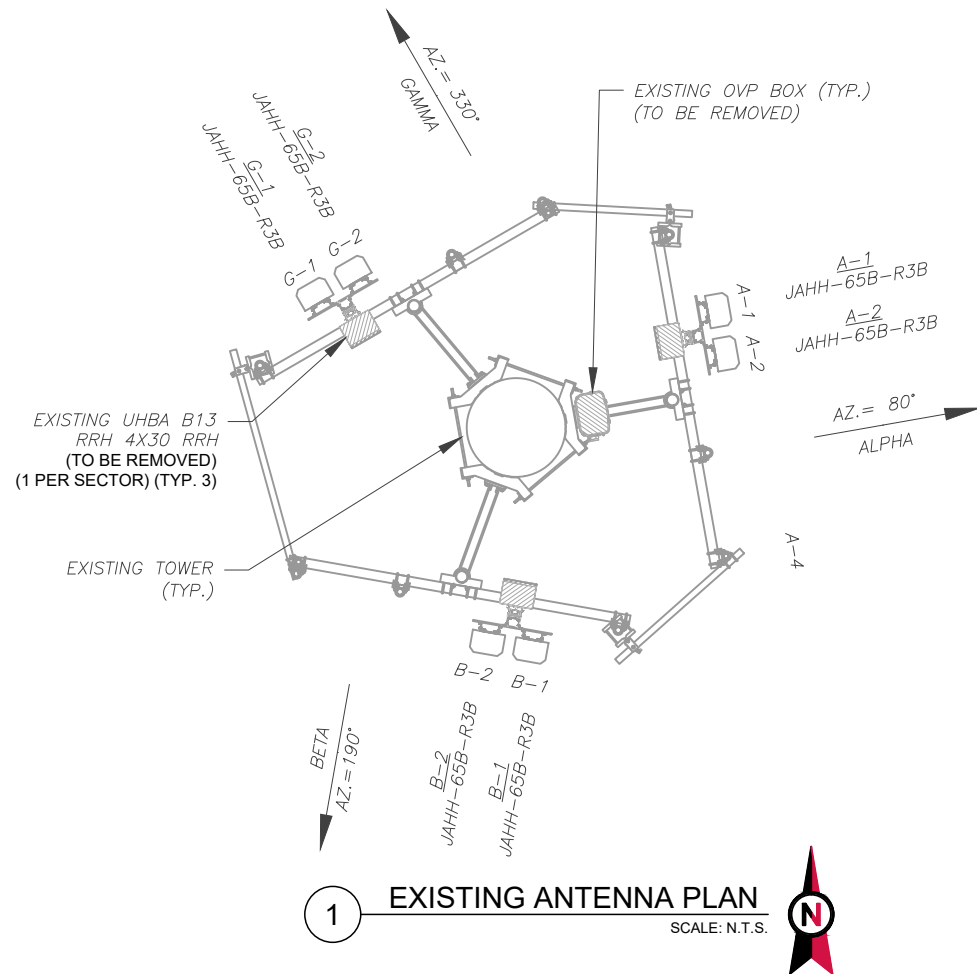


DATE DRAWN:	05/14/21
ATC JOB NO:	13668995
CUSTOMER ID:	WATERTOWN NE CT
CUSTOMER #:	470386

ANTENNA INFORMATION & SCHEDULE

SHEET NUMBER: **C-401**
 REVISION: **0**

PER MOUNT ANALYSIS COMPLETED BY MASER CONSULTING, DATED 05/19/21, THE EXISTING MOUNT CAN ADEQUATELY SUPPORT THE PROPOSED LOADING.



EXISTING ANTENNA SCHEDULE									
LOCATION		ANTENNA SUMMARY					NON ANTENNA SUMMARY		
SECTOR	RAD	AZ	POS	ANTENNA	BAND	MECH/ELEC D-TILT	STATUS	ADDITIONAL TOWER MOUNTED EQUIPMENT	STATUS
ALPHA	114'	80°	A1	JAHH-65B-R3B	700/850/1900/AWS	0/5	RMN	UHBA B13 RRH 4X30	RMV
ALPHA	114'	80°	A2	JAHH-65B-R3B	700/850/1900/AWS	0/5	RMN	UHBA B13 RRH 4X30	RMV
BETA	114'	190°	B1	JAHH-65B-R3B	700/850/1900/AWS	0/4	RMN	UHBA B13 RRH 4X30	RMV
BETA	114'	190°	B2	JAHH-65B-R3B	700/850/1900/AWS	0/4	RMN	UHBA B13 RRH 4X30	RMV
GAMMA	114'	330°	G1	JAHH-65B-R3B	700/850/1900/AWS	0/6	RMN	UHBA B13 RRH 4X30	RMV
GAMMA	114'	330°	G2	JAHH-65B-R3B	700/850/1900/AWS	0/6	RMN	UHBA B13 RRH 4X30	RMV

NOTES

- CONFIRM WITH VERIZON REP FOR APPLICABLE UPDATES/REVISIONS AND MOST RECENT RFDS FOR NSN CONFIGURATION (CONFIG). GC TO CAP ALL UNUSED PORTS.
- CONFIRM SPACING OF PROPOSED EQUIP DOES NOT CAUSE TOWER CONFLICTS NOR IMPEDE TOWER CLIMBING PEGS.

STATUS ABBREVIATIONS

RMV: TO BE REMOVED
 RMN: TO REMAIN
 REL: TO BE RELOCATED
 ADD: TO BE ADDED

CABLE LENGTHS FOR JUMPERS

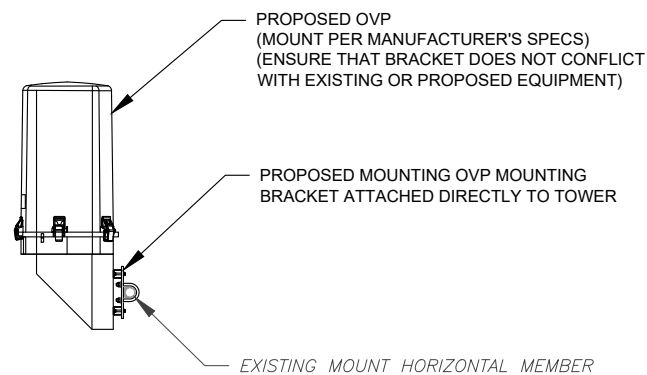
JUNCTION BOX TO RRH: 15'
 RRH TO ANTENNA: 10'

FINAL ANTENNA SCHEDULE									
LOCATION		ANTENNA SUMMARY					NON ANTENNA SUMMARY		
SECTOR	RAD	AZ	POS	ANTENNA	BAND	MECH/ELEC D-TILT	STATUS	ADDITIONAL TOWER MOUNTED EQUIPMENT	STATUS
ALPHA	114'	80°	A1	JAHH-65B-R3B	700/850/1900/AWS	0/5	RMN	CBC78T-DS-43-2X	ADD
			A2	JAHH-65B-R3B	700/850/1900/AWS	0/5	RMN	B2/B664 RRH-BR049	ADD
			A3	MT6407-77A	L-SUB6	0/6	ADD	-	-
BETA	114'	190°	B1	JAHH-65B-R3B	700/850/1900/AWS	0/4	RMN	CBC78T-DS-43-2X	ADD
			B2	JAHH-65B-R3B	700/850/1900/AWS	0/4	RMN	B2/B664 RRH-BR049	ADD
			B3	MT6407-77A	L-SUB6	0/6	ADD	-	-
GAMMA	114'	330°	G1	JAHH-65B-R3B	700/850/1900/AWS	0/6	RMN	CBC78T-DS-43-2X	ADD
			G2	JAHH-65B-R3B	700/850/1900/AWS	0/6	RMN	B2/B664 RRH-BR049	ADD
			G3	MT6407-77A	L-SUB6	0/6	ADD	-	-

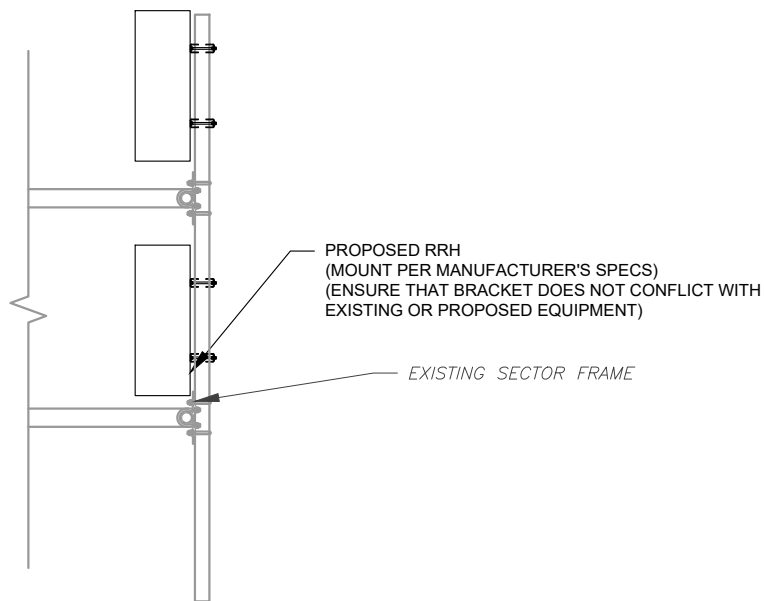
EXISTING FIBER DISTRIBUTION/OVP BOX		EXISTING CABLING SUMMARY		
MODEL NUMBER	STATUS	COAX	HYBRID	STATUS
(1) OVP BOX	RMV	-	-	RMV

3 EQUIPMENT SCHEDULES

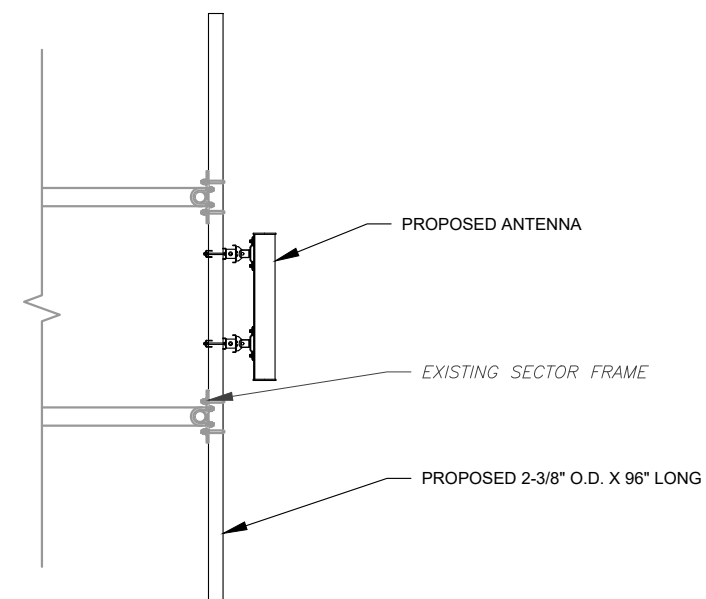
FINAL FIBER DISTRIBUTION / OVP BOX		FINAL CABLING SUMMARY		
MODEL NUMBER	STATUS	COAX	HYBRID	STATUS
(1) RCMDC-6627-PF-48	ADD	-	(2) 6X12	ADD



1 PROPOSED OVP MOUNTING
SCALE: N.T.S.



2 PROPOSED RRH MOUNTING DETAIL - TYPICAL
SCALE: N.T.S.



3 PROPOSED 5G ANTENNA MOUNTING DETAIL - TYPICAL
SCALE: N.T.S.



Dewberry Engineers Inc.
99 SUMMER STREET
SUITE 700
BOSTON, MA 02110
PHONE: 617.531.0801
FAX: 617.695.3310

REV.	DESCRIPTION	BY	DATE
A	PRELIM	PMG	05/14/21
0	FINAL	EA	06/15/21

283424

ATC SITE NAME:
WATERTOWN CT

VERIZON SITE NAME:
WATERTOWN NE CT

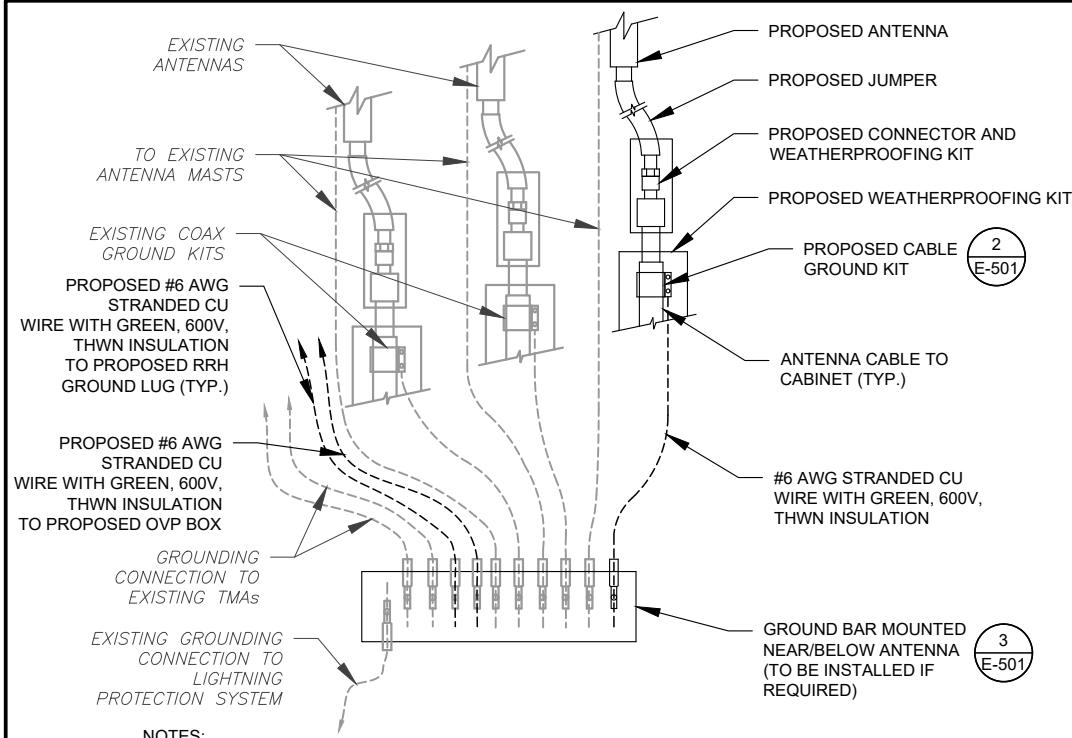
SITE ADDRESS:
655 BASSETT RD.
WATERTOWN, CT 06795



DATE DRAWN:	05/14/21
ATC JOB NO:	13668995
CUSTOMER ID:	WATERTOWN NE CT
CUSTOMER #:	470386

CONSTRUCTION
DETAILS

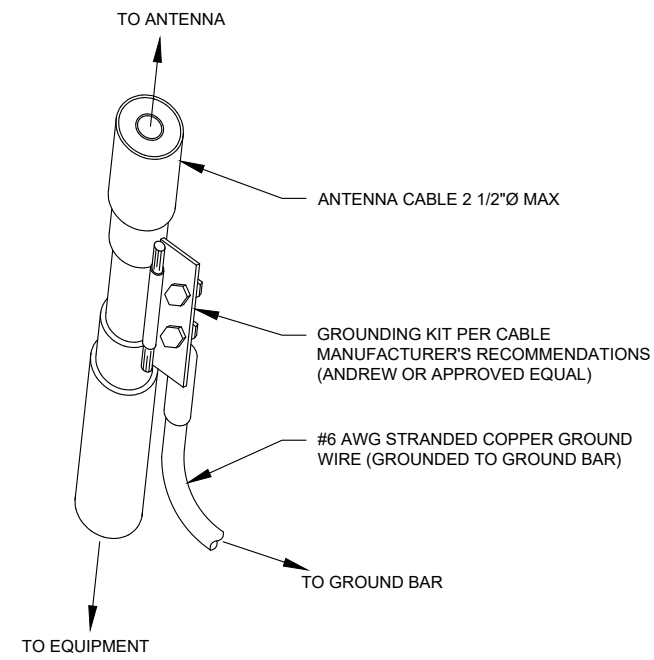
SHEET NUMBER:	REVISION:
C-501	0



NOTES:

1. THIS DETAIL IS INTENDED TO SHOW THE GENERAL GROUNDING REQUIREMENTS. SLIGHT ADJUSTMENTS MAY BE REQUIRED BASED ON EXISTING SITE CONDITIONS. THE CONTRACTOR SHALL MAKE FIELD ADJUSTMENTS AS NEEDED AND INFORM THE CONSTRUCTION MANAGER OF ANY CONFLICTS.
2. SITE GROUNDING SHALL COMPLY WITH VERIZON GROUNDING STANDARDS, LATEST EDITION, AND COMPLY WITH VERIZON GROUNDING CHECKLIST, LATEST VERSION. WHEN NATIONAL AND LOCAL GROUNDING CODES ARE MORE STRINGENT THEY SHALL GOVERN.

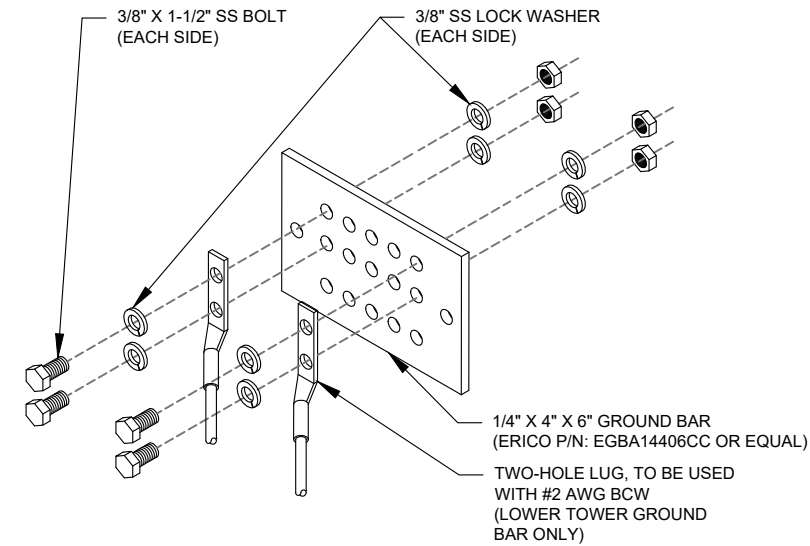
1 TYPICAL ANTENNA GROUNDING DIAGRAM
SCALE: N.T.S.



GROUND KIT NOTES:

1. DO NOT INSTALL CABLE GROUND KIT AT A BEND AND ALWAYS DIRECT GROUND WIRE DOWN TO GROUND BAR.
2. CONTRACTOR SHALL PROVIDE WEATHERPROOFING KIT (ANDREW PART NUMBER 221213) AND INSTALL/TAPE PER MANUFACTURER'S SPECIFICATIONS.

2 CABLE GROUND KIT CONNECTION DETAIL
SCALE: N.T.S.



GROUND BAR NOTES:

1. GROUND BAR KITS COME WITH ALL HARDWARE, NUTS, BOLTS, WASHERS, ETC. EXCEPT THE STRUCTURAL MOUNTING MEMBER(S).
2. GROUND BAR TO BE BONDED DIRECTLY TO TOWER.

3 TOWER GROUND BAR DETAIL
SCALE: N.T.S.



Dewberry Engineers Inc.
99 SUMMER STREET
SUITE 700
BOSTON, MA 02110
PHONE: 617.531.0801
FAX: 617.695.3310

REV.	DESCRIPTION	BY	DATE
A	PRELIM	PMG	05/14/21
0	FINAL	EA	06/15/21

283424

ATC SITE NAME:
WATERTOWN CT

VERIZON SITE NAME:
WATERTOWN NE CT

SITE ADDRESS:
655 BASSETT RD.
WATERTOWN, CT 06795



DATE DRAWN:	05/14/21
ATC JOB NO:	13668995
CUSTOMER ID:	WATERTOWN NE CT
CUSTOMER #:	470386

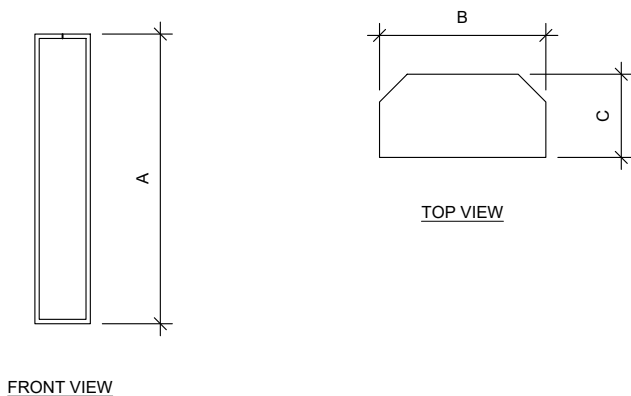
GROUNDING DETAILS

SHEET NUMBER:	REVISION:
E-501	0



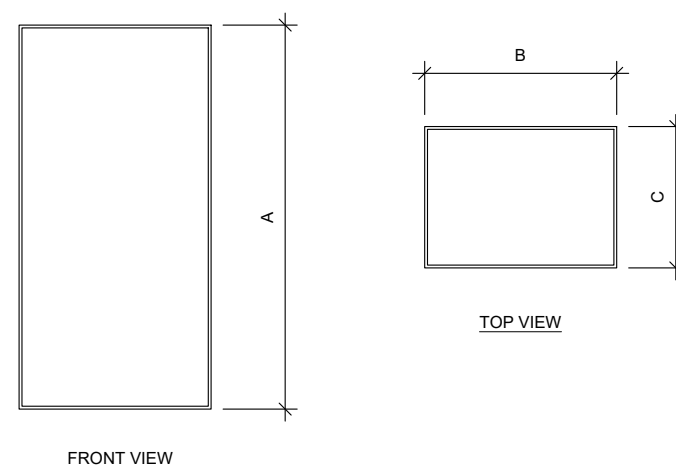
Dewberry Engineers Inc.
 99 SUMMER STREET
 SUITE 700
 BOSTON, MA 02110
 PHONE: 617.531.0801
 FAX: 617.695.3310

Copyright © 2021 ATC-IP LLC. All Rights Reserved.



1 ANTENNA SPECIFICATIONS
 FOR ILLUSTRATIVE PURPOSES ONLY - NOT TO SCALE

ANTENNA SPECIFICATIONS				
ANTENNA MODEL	A	B	C	WEIGHT (LBS)
MT6407-77A	35.1"	16.1"	5.5"	81.6



2 RRH SPECIFICATIONS
 FOR ILLUSTRATIVE PURPOSES ONLY - NOT TO SCALE

RRH SPECIFICATIONS				
RRH MODEL	A	B	C	WEIGHT (LBS)
B2/B66A RRH-BR049	15.0"	15.0"	10.0"	84.4
B5/B13 RRH-BR04C	15.0"	15.0"	8.1"	70.3

283424
 ATC SITE NAME:
WATERTOWN CT
 VERIZON SITE NAME:
WATERTOWN NE CT
 SITE ADDRESS:
 655 BASSETT RD.
 WATERTOWN, CT 06795



DATE DRAWN:	05/14/21
ATC JOB NO:	13668995
CUSTOMER ID:	WATERTOWN NE CT
CUSTOMER #:	470386

SUPPLEMENTAL

SHEET NUMBER:
R-601



Maser Consulting Connecticut
 2000 Midlantic Drive, Suite 100
 Mt. Laurel, NJ 08054
 856.797.0412
 Peter.Albano@colliersengineering.com

Mount Structural Analysis Report
 (3) 12.50-Ft T-Arms

May 19, 2021
 Site ID: 470386-VZW / WATERTOWN NE CT - American Tower
 Page | 4

Antenna Mount Analysis Report and PMI Requirements

Mount Analysis

SMART Tool Project #: 10050449
 Maser Consulting Connecticut Project #: 21777471A

May 19, 2021

Site Information

Site ID: 470386-VZW /
 WATERTOWN NE CT - American Tower
 Site Name: WATERTOWN NE CT - American Tower
 Carrier Name: Verizon Wireless
 Address: 655 Bassett Rd
 Watertown, Connecticut 06795
 Litchfield County
 Latitude: 41.65707778°
 Longitude: -73.13626111°

Structure Information

Tower Type: Monopole
 Mount Type: 12.50-Ft T-Arm

FUZE ID # 16272135

Analysis Results

T-Arm: 63.3% Pass

***Contractor PMI Requirements:

Included at the end of this MA report
 Available & Submitted via portal at <https://pmi.vzwsmart.com>
 Contractor - Please Review Specific Site PMI Requirements Upon Award
 Requirements also Noted on Mount Modification Drawings
 Requirements may also be Noted on A & E drawings

Report Prepared By: Abigail Enriquez



6. All services are performed, results obtained, and recommendations made in accordance with generally accepted engineering principles and practices. Maser Consulting Connecticut is not responsible for the conclusion, opinions, and recommendations made by others based on the information supplied.
7. Structural Steel Grades have been assumed as follows, if applicable, unless otherwise noted in this analysis:
- o Channel, Solid Round, Angle, Plate ASTM A36 (Gr. 36)
 - o HSS (Rectangular) ASTM 500 (Gr. B-46)
 - o Pipe ASTM A53 (Gr. B-35)
 - o Threaded Rod F1554 (Gr. 36)
 - o Bolts ASTM A325

Discrepancies between in-field conditions and the assumptions listed above may render this analysis invalid unless explicitly approved by Maser Consulting Connecticut.

Analysis Results:

Component	Utilization %	Pass/Fail
Tiebacks	16.5%	Pass
Kickers	9.4%	Pass
Support Rail	34.5%	Pass
Antenna Pipe	63.3%	Pass
Horizontal	56.4%	Pass
Standoff Pipe	0.0%	Pass
Standoff Arm	28.9%	Pass
Connection Check - Mount	36.7%	Pass
Connection Check - Kickers	14.3%	Pass

Structure Rating – (Controlling Utilization of all Components)	63.3%
--	-------

Recommendation:

The existing mounts are **SUFFICIENT** for the final loading configuration and do not require modifications.

ANSI/ASSP rigging plan review services compliant with the requirements of ANSI/TIA 322 are available for a Construction Class IV site or other, if required. Separate review fees will apply.

Attachments:

- Mount Photos
- Mount Mapping Report (for reference only)
- Analysis Calculations
- Contractor Required Post Installation Inspection (PMI) Report Deliverables
- Antenna Placement Diagrams
- TIA Adoption and Wind Speed Usage Letter

NOTE: THIS SHEET WAS CREATED BY OTHERS AND PROVIDED AT THE REQUEST OF THE CUSTOMER WITHOUT EDIT. PLEASE REFERENCE THE MOUNT ANALYSIS REPORT FOR COMPLETE MOUNT ANALYSIS CALCULATIONS AND DETAILS. SUPPLEMENTAL PAGES INCLUDED IN THE CONSTRUCTION DRAWINGS ARE FOR REFERENCE ONLY. GENERAL CONTRACTOR IS TO VERIFY THEY HAVE THE MOST RECENT MOUNT ANALYSIS PRIOR TO CONSTRUCTION.



Dewberry[®]
 Dewberry Engineers Inc.
 99 SUMMER STREET
 SUITE 700
 BOSTON, MA 02110
 PHONE: 617.531.0801
 FAX: 617.695.3310

283424

ATC SITE NAME:
 WATERTOWN CT

VERIZON SITE NAME:
 WATERTOWN NE CT

SITE ADDRESS:
 655 BASSETT RD.
 WATERTOWN, CT 06795



DATE DRAWN: 05/14/21
 ATC JOB NO: 13668995
 CUSTOMER ID: WATERTOWN NE CT
 CUSTOMER #: 470386

SUPPLEMENTAL

SHEET NUMBER:
R-602