

STATE OF CONNECTICUT

CONNECTICUT SITING COUNCIL

Ten Franklin Square, New Britain, CT 06051

Phone: (860) 827-2935 Fax: (860) 827-2950

E-Mail: siting.council@ct.gov

Internet: ct.gov/csc

Daniel F. Caruso
Chairman

January 20, 2009

Steven L. Levine
Real Estate Consultant
New Cingular Wireless PCS, LLC
500 Enterprise Drive
Rocky Hill, CT 06067-3900

RE: **EM-CING-152-090106** - New Cingular Wireless PCS, LLC notice of intent to modify an existing telecommunications facility located at 15 Miner Lane, Waterford, Connecticut.

Dear Mr. Levine:

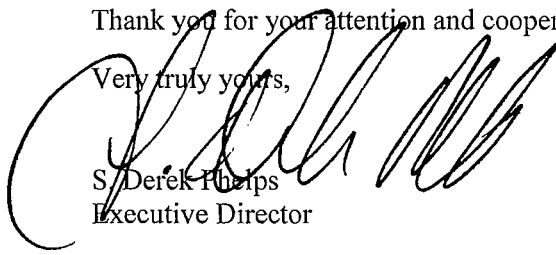
The Connecticut Siting Council (Council) hereby acknowledges your notice to modify this existing telecommunications facility, pursuant to Section 16-50j-73 of the Regulations of Connecticut State Agencies.

The proposed modifications are to be implemented as specified here and in your notice dated January 6, 2008, including the placement of all necessary equipment and shelters within the tower compound. The modifications are in compliance with the exception criteria in Section 16-50j-72 (b) of the Regulations of Connecticut State Agencies as changes to an existing facility site that would not increase tower height, extend the boundaries of the tower site, increase noise levels at the tower site boundary by six decibels, and increase the total radio frequencies electromagnetic radiation power density measured at the tower site boundary to or above the standard adopted by the State Department of Environmental Protection pursuant to General Statutes § 22a-162. This facility has also been carefully modeled to ensure that radio frequency emissions are conservatively below State and federal standards applicable to the frequencies now used on this tower.

This decision is under the exclusive jurisdiction of the Council. Please be advised that the validity of this action shall expire one year from the date of this letter. Any additional change to this facility will require explicit notice to this agency pursuant to Regulations of Connecticut State Agencies Section 16-50j-73. Such notice shall include all relevant information regarding the proposed change with cumulative worst-case modeling of radio frequency exposure at the closest point of uncontrolled access to the tower base, consistent with Federal Communications Commission, Office of Engineering and Technology, Bulletin 65. Any deviation from this format may result in the Council implementing enforcement proceedings pursuant to General Statutes § 16-50u including, without limitation, imposition of expenses resulting from such failure and of civil penalties in an amount not less than one thousand dollars per day for each day of construction or operation in material violation.

Thank you for your attention and cooperation.

Very truly yours,



S/ Derek Phelps
Executive Director

SDP/MP/laf

c: The Honorable Daniel M. Steward, First Selectman, Town of Waterford
Thomas V. Wagner, Planning Director, Town of Waterford
American Tower Corporation

FIFTEEN ROPE FERRY ROAD

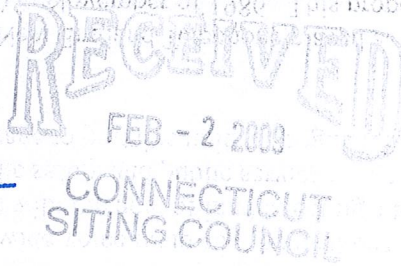
WATERFORD, CT 06385-2886



January 29, 2009

Mr. S. Derek Phelps, Executive Director
Connecticut Siting Council
Ten Franklin Square
New Britain, CT 06051

ORIGINAL



RE: TELECOMMUNICATIONS TOWER HEIGHT MODIFICATION
85 MINER LANE (AKA 15 MINER LANE)-AMERICAN TOWER

Dear Mr. Phelps: *Derek*

The Town of Waterford is in the process of converting to a town-wide voice radio communications system. This system represents an effort undertaken by the Town with the goal of implementing a town-wide 800 MHz trunked simulcast radio system to support its public safety and public service agencies. When completed, the system will provide in-building radio coverage to portable units throughout the Town.

The Town is the owner of 85 Miner Lane, upon which Southern New England Telephone placed a monopole as authorized by the Connecticut Siting Council (CSC) in November of 1986. This property is currently leased to American Tower for the purposes of operating a telecommunications tower under the exclusive jurisdiction of the CSC for multiple co-locators. This tower has been identified as necessary to fulfill the level of radio coverage specified by our emergency services. We have recently renegotiated the lease with the tenant, extending the length of the contract as well as authorizing the construction of a new tower to replace the existing tower. In addition, the tower is proposed to be 30 feet higher so that the Town of Waterford could be located on the top. To date, we have not had a presence on the tower, nor is there room on the existing tower at the elevation required to accommodate the needs of the Town of Waterford.

I am aware of the appearance of the existing tower and simulations of the new tower and feel it will not substantially change the landscape of this part of town. This cellular tower was constructed adjacent to the town landfill, which has been closed. The tower is clearly visible from my office at the Town Hall.

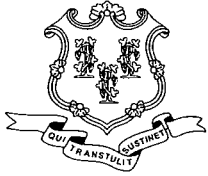
In conclusion, the Town of Waterford is in favor and will benefit directly from the modification of this telecommunications site proposed by American Tower. I respectfully request your favorable consideration so that we may proceed with completing our emergency management radio system.

Thank you for your consideration and, as always, please call me at 860-444-5834 if you have any questions or require further documentation.

Sincerely,

Daniel M. Steward
First Selectman

cc: Thomas V. Wagner, AICP, Planning Director
Murray J. Pendleton, Chief of Police, Director of Emergency Management



STATE OF CONNECTICUT

CONNECTICUT SITING COUNCIL

Ten Franklin Square, New Britain, CT 06051

Phone: (860) 827-2935 Fax: (860) 827-2950

E-Mail: siting.council@ct.gov

www.ct.gov/csc

January 7, 2009

The Honorable Daniel M. Steward
First Selectman
Town of Waterford
Town Hall
15 Rope Ferry Road
Waterford, CT 06385

RE: **EM-CING-152-090106** - New Cingular Wireless PCS, LLC notice of intent to modify an existing telecommunications facility located at 15 Miner Lane, Waterford, Connecticut.

Dear Mr. Steward:

The Connecticut Siting Council (Council) received this request to modify an existing telecommunications facility, pursuant to Regulations of Connecticut State Agencies Section 16-50j-72.

If you have any questions or comments regarding this proposal, please call me or inform the Council by January 21, 2009.

Thank you for your cooperation and consideration.

Very truly yours,

S. Derek Phelps
Executive Director

SDP/jb

Enclosure: Notice of Intent

c: Thomas V. Wagner, Planning Director, Town of Waterford

EM-CING-152-090106



New Cingular Wireless PCS, LLC
500 Enterprise Drive
Rocky Hill, Connecticut 06067-3900
Phone: (860) 513-7636
Fax: (860) 513-7190

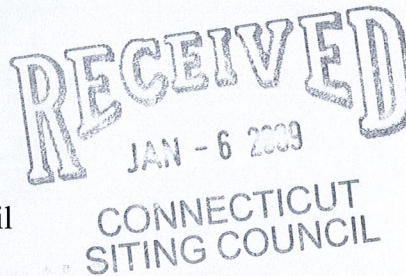
Steven L. Levine
Real Estate Consultant

ORIGINAL

HAND DELIVERED

January 6, 2009

Honorable Daniel F. Caruso, Chairman,
and Members of the Connecticut Siting Council
Connecticut Siting Council
10 Franklin Square
New Britain, Connecticut 06051



Re: New Cingular Wireless PCS, LLC notice of intent to modify an existing tele-communications facility located at 15 Miner Lane, Waterford (owner, American Tower)

Dear Chairman Caruso and Members of the Council:

In order to accommodate technological changes, implement Uniform Mobile Telecommunications System ("UMTS") capability, and enhance system performance in the State of Connecticut, New Cingular Wireless PCS, LLC ("AT&T") plans to modify the equipment configurations at many of its existing cell sites. Please accept this letter and attachments as notification, pursuant to R.C.S.A. Section 16-50j-73, of construction which constitutes an exempt modification pursuant to R.C.S.A. Section 16-50j-72(b)(2). In compliance with R.C.S.A. Section 16-50j-73, a copy of this letter and attachments is being sent to the chief elected official of the municipality in which the affected cell site is located.

UMTS technology offers services to mobile computer and phone users anywhere in the world. Based on the Global System for Mobile (GSM) communication standard, UMTS is the planned worldwide standard for mobile users. UMTS, fully implemented, gives computer and phone users high-speed access to the Internet as they travel. They have the same capabilities even when they roam, through both terrestrial wireless and satellite transmissions.

Attached is a summary of the planned modifications, including power density calculations reflecting the change in AT&T's operations at the site. Also included is documentation of the structural sufficiency of the tower to accommodate the revised antenna configuration.

The changes to the facility do not constitute modifications as defined in Connecticut General Statutes ("C.G.S.") Section 16-50i(d) because the general physical characteristics of the facility will not be significantly changed or altered. Rather, the planned changes to the facility fall squarely within those activities explicitly provided for in R.C.S.A. Section 16-50j-72(b)(2).

1. The height of the overall structure will be unaffected.
2. The proposed changes will not extend the site boundaries. There will be no effect on the site compound other than some enlarged equipment pads as may be noted in the attachments.
3. The proposed changes will not increase the noise level at the existing facility by six decibels or more.
4. Radio frequency power density may increase due to use of one or more GSM channel for UMTS transmissions. However, the changes will not increase the calculated "worst case" power density for the combined operations at the site to a level at or above the applicable standard for uncontrolled environments as calculated for a mixed frequency site.

For the foregoing reasons, New Cingular Wireless respectfully submits that the proposed changes at the referenced site constitute exempt modifications under R.C.S.A. Section 16-50j-72(b)(2).

Please feel free to call me at (860) 513-7636 with questions concerning this matter. Thank you for your consideration.

Sincerely,



Steven L. Levine
Real Estate Consultant

Attachments

**NEW CINGULAR WIRELESS
Equipment Modification**

15 Miner Lane, Waterford
Site Number 2023
Docket 67.2; EM's approved 4/89, 9/92, 10/94, and 9/02

Tower Owner/Manager: American Tower

Equipment Configuration: Monopole

Current and/or Approved: Nine CSS DUO-1417-8686 panel antennas @ 153 ft AGL
Six TMA's and three diplexers @ 153 ft
Nine runs 1 ¼ inch and three runs 1 5/8 inch coax cable
Equipment Shelter

Planned Modifications: Remove all existing antennas, TMA's, and diplexers
Remove all three runs 1 5/8 inch coax
Install six Powerwave 7770 antennas (or equivalent) @ 153 ft
Install six TMA's and six diplexers @ 153 ft
Install three lines 1 1/4 inch coax

Power Density:

Worst-case calculations for existing wireless operations at the site indicate a radio frequency electromagnetic radiation power density, measured at ground level beside the tower, of approximately 14.3 % of the standard adopted by the FCC. As depicted in the second table below, the total radio frequency electromagnetic radiation power density following proposed modifications would be approximately 13 % of the standard.

Existing

Company	Centerline Ht (feet)	Frequency (MHz)	Number of Channels	Power Per Channel (Watts)	Power Density (mW/cm ²)	Standard Limits (mW/cm ²)	Percent of Limit
Other Users *							7.25
AT&T TDMA *	153	880 - 894	16	100	0.0246	0.5867	4.19
AT&T GSM *	153	1900 Band	2	427	0.0131	1.0000	1.31
AT&T GSM *	153	880 - 894	2	296	0.0091	0.5867	1.55
Total							14.3%

* Per CSC records

Proposed

Company	Centerline Ht (feet)	Frequency (MHz)	Number of Channels	Power Per Channel (Watts)	Power Density (mW/cm ²)	Standard Limits (mW/cm ²)	Percent of Limit
Other Users *							7.25
AT&T UMTS	153	880 - 894	1	500	0.0077	0.5867	1.31
AT&T GSM	153	1900 Band	2	427	0.0131	1.0000	1.31
AT&T GSM	153	880 - 894	4	296	0.0182	0.5867	3.10
Total							13.0%

* Per CSC records

Structural information:

The attached structural analysis demonstrates that the tower has adequate structural capacity to accommodate the proposed modifications. (American Tower, 12/5/08)



New Cingular Wireless PCS, LLC
500 Enterprise Drive
Rocky Hill, Connecticut 06067-3900
Phone: (860) 513-7636
Fax: (860) 513-7190

Steven L. Levine
Real Estate Consultant

January 6, 2009

Daniel M. Steward, 1st Selectman
Town of Waterford
Town Hall 15 Rope Ferry Road
Waterford, CT 06385

Dear Mr. Steward:

In order to accommodate technological changes, implement Uniform Mobile Telecommunications System ("UMTS") capability, and enhance system performance in the State of Connecticut, New Cingular Wireless PCS, LLC ("AT&T") will be changing its equipment configuration at certain cell sites.

As required by Regulations of Connecticut State Agencies ("R.C.S.A.") Section 16-50j-73, the Connecticut Siting Council has been notified of the changes and will review AT&T's proposal. Please accept this letter as notification under Section 16-50j-73 of construction which constitutes an exempt modification pursuant to R.C.S.A. Section 16-50j-72(b)(2).

The accompanying letter to the Siting Council fully describes AT&T's proposal for the referenced cell site. However, if you have any questions or require any further information on our plans or the Siting Council's procedures, please call me at (860) 513-7636 or Mr. Derek Phelps, Executive Director, Connecticut Siting Council at (860) 827-2935.

Sincerely,

Steven L. Levine
Real Estate Consultant

Enclosure



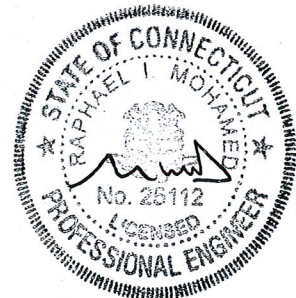
AMERICAN TOWER

Structural Analysis Report

Structure : 150 ft ITT Meyer Monopole
ATC Site Name : Waterford CT 5, CT #2023
ATC Site Number : 302491 MINER LANE
Proposed Carrier : AT&T Mobility
Carrier Site Name : Waterford
Carrier Site Number : N/A
County : New London
Eng. Number : 42685922
Date : December 5, 2008
Usage : 98%
Portholes Required : No

Submitted by:
David Johnson, E.I.
Design Engineer

American Tower Engineering Services
400 Regency Forest Drive
Cary, NC 27518
Phone: 919-468-0112



12/9/08

Introduction

The purpose of this report is to summarize results of the structural analysis performed on the 150 ft ITT Meyer Monopole located at 15 Miner Lane, Waterford, CT, 06385, New London County (ATC site #302491). The tower was originally designed and manufactured by ITT Meyer (Typical Type "B" Monopole per AT&T AT 8935 Specifications). The tower has been modified by SpectraSite Communications (Drawing #CT-0027-M1, Rev. 2 dated December 3, 2003) and by Aero Solutions (Job #41705-065, dated November 18, 2005).

Analysis

The tower was analyzed using Semaan Engineering Solutions, Inc., Software. The analysis assumes that the tower is in good, undamaged, and non-corroded condition.

Basic Wind Speed: 85 mph (Fastest Mile)
 Radial Ice: 74 mph (Fastest Mile) w/ 1/2" ice
 Code: ANSI/TIA-222-F / 2006 IBC / 2005 & 2008 CT Supplement

Antenna Loads

The following antenna loads were used in the tower analysis.

Existing Antennas

Elev. (ft)	Qty	Antennas	Mount	Coax (in)	Carrier
150.0	1	12' Omni	(3) Side Arm	(1) 7/8	USA Mobility
130.0	9	EMS DR65-19-00DPQ	(3) Round T-Arm	(18) 1 5/8	T-Mobile

Proposed Antennas

Elev. (ft)	Qty	Antennas	Mount	Coax (in)	Carrier
150.0	6	Powerwave LGP17201	Platform w/ Handrails w/ Side Arms	--	AT&T Mobility
	6	Powerwave LGP21902		--	
	9	Powerwave 7770		(12) 1 5/8	

Install proposed coax inside monopole.

Results

The maximum structure usage is: 98%

Additional exit and/or entry ports may be required to accommodate the running of the proposed lines to the proposed antennas. These additional ports **may not** be installed without installation drawings providing the location, size and welding requirements of each port.

To ensure compliance with all conditions of this structural analysis, port installation drawings shall be provided by American Tower's Engineering Department under a subsequent project.

Pole Reactions	Current Analysis Reactions
Moment (ft-kips)	2,268.7
Shear (kips)	22.0

The structure base reactions resulting from this analysis were found to be acceptable through analysis based on geotechnical and foundation information, therefore no modification or reinforcement of the foundation will be required.

Conclusion

Based on the analysis results, the structure meets the requirements per TIA/EIA-222-F and 2006 IBC w/ 2005 & 2008 CT Supplement standards. The tower and foundation can support the existing and proposed antennas with the TX line distribution as described in this report.

If you have any questions or require additional information, please call 919-463-6281.

Standard Conditions

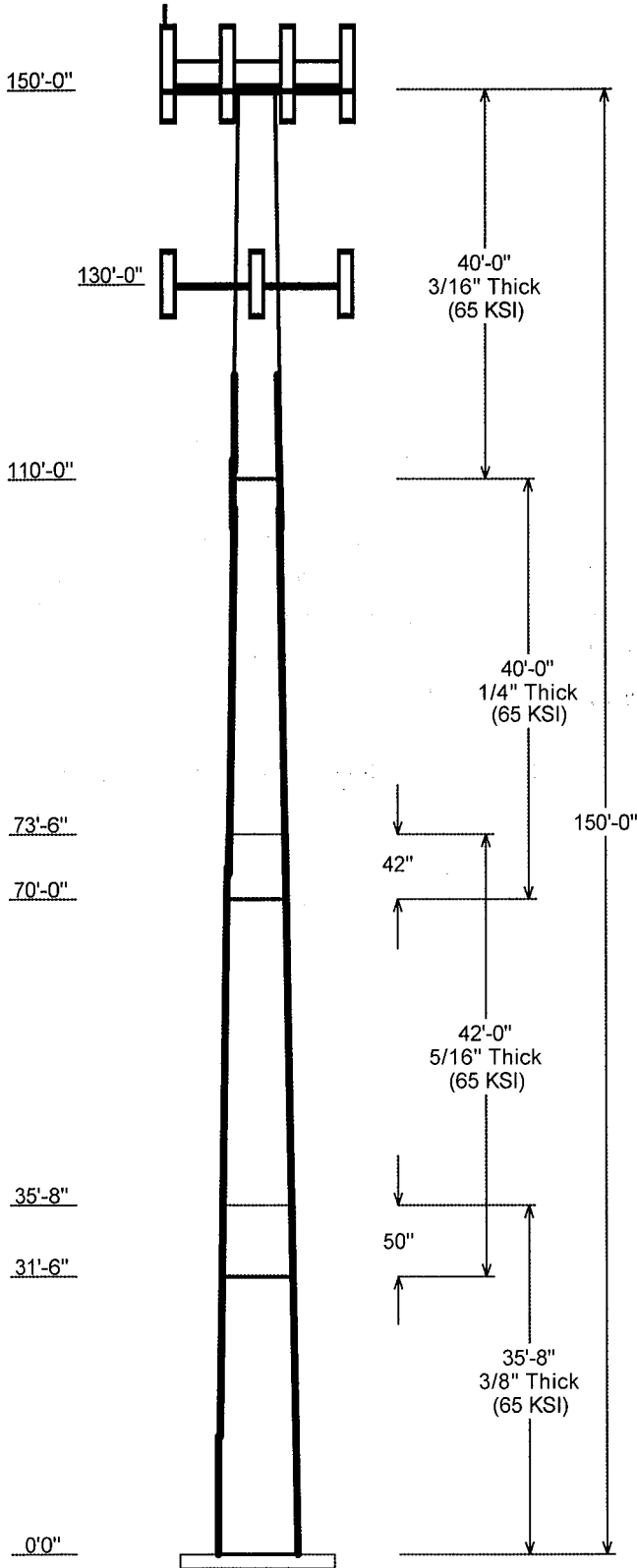
All engineering services are performed on the basis that the information used is current and correct. This information may consist of, but is not necessary limited, to:

- Information supplied by the client regarding the structure itself, the antenna and feed line loading on the structure and its components, or other relevant information.
- Information from drawings in the possession of American Tower Corporation, or generated by field inspections or measurements of the structure.

It is the responsibility of the client to ensure that the information provided to ATC Engineering Services and used in the performance of our engineering services is correct and complete. In the absence of information to the contrary, we assume that all structures were constructed in accordance with the drawings and specifications and are in an un-corroded condition and have not deteriorated; and we, therefore, assume that their capacity has not significantly changed from the "as new" condition.

All services will be performed to the codes specified by the client, and we do not imply to meet any other codes or requirements unless explicitly agreed in writing. If wind and ice loads or other relevant parameters are to be different from the minimum values recommended by the codes, the client shall specify the exact requirement. In the absence of information to the contrary, all work will be performed in accordance with the latest relevant revision of ANSI/EIA-222.

All services are performed, results obtained, and recommendations made in accordance with generally accepted engineering principles and practices. ATC Engineering Services is not responsible for the conclusions, opinions and recommendations made by others based on the information we supply.



Job Information	
Pole : 302491	Code: TIA/EIA-222 Rev F
Description : 150' ITT Meyer Type "B" Monopole	
Client : AT&T Mobility	
Location : Waterford CT 5, CT	
Shape : 12 Sides	Base Elev (ft): 0.00
Height : 150.00 (ft)	Taper: 0.156700(in/ft)

Sections Properties								
Shaft Section	Length (ft)	Diameter (in)		Thick (in)	Joint Type	Overlap Length (in)	Taper (in/ft)	Steel Grade (ksi)
		Across Top	Flats Bottom					
1	35.667	31.79	37.38	0.375		0.000	0.156700	65
2	42.000	26.48	33.06	0.313	Slip Joint	50.000	0.156700	65
3	40.000	21.26	27.53	0.250	Slip Joint	42.000	0.156700	65
4	40.000	15.00	21.26	0.188	Butt Joint	0.000	0.156700	65

Discrete Appurtenance			
Attach Elev (ft)	Force Elev (ft)	Qty	Description
150.000	150.000	3	Side Arm
150.000	150.000	6	Powerwave LGP17201
150.000	150.000	6	Powerwave LGP21902
150.000	156.000	1	12' Omni
150.000	150.000	1	Flat Platform with Handrails
150.000	153.000	9	Powerwave 7770
130.000	130.000	3	Round T-Arm
130.000	130.000	9	EMS DR65-19-00DPQ

Linear Appurtenance			
Elev From (ft)	Elev To (ft)	Description	Exposed To Wind
110.7	120.7	0.50" Plate	Yes
69.750	104.5	0.50" Plate	Yes
5.000	130.0	1 5/8" Coax	No
5.000	150.0	1 5/8" Coax	No
5.000	150.0	7/8" Coax	No
0.000	12.500	#20 Dywidag Bars	Yes
0.000	69.750	0.75" Plate	Yes

Load Cases	
No Ice	85.00 mph Wind with No Ice
Ice	73.61 mph Wind with Ice
Twist/Sway	50.00 mph Wind with No Ice

Reactions			
Load Case	Moment (Kip-ft)	Shear (Kips)	Axial (Kips)
No Ice	2268.70	22.02	31.30
Ice	1904.01	18.11	32.30
Twist/Sway	787.04	7.62	31.35

Dish Deflections			
Load Case	Attach Elev (ft)	Deflection (in)	Rotation (deg)
Twist/Sway	0.00	0.000	0.000